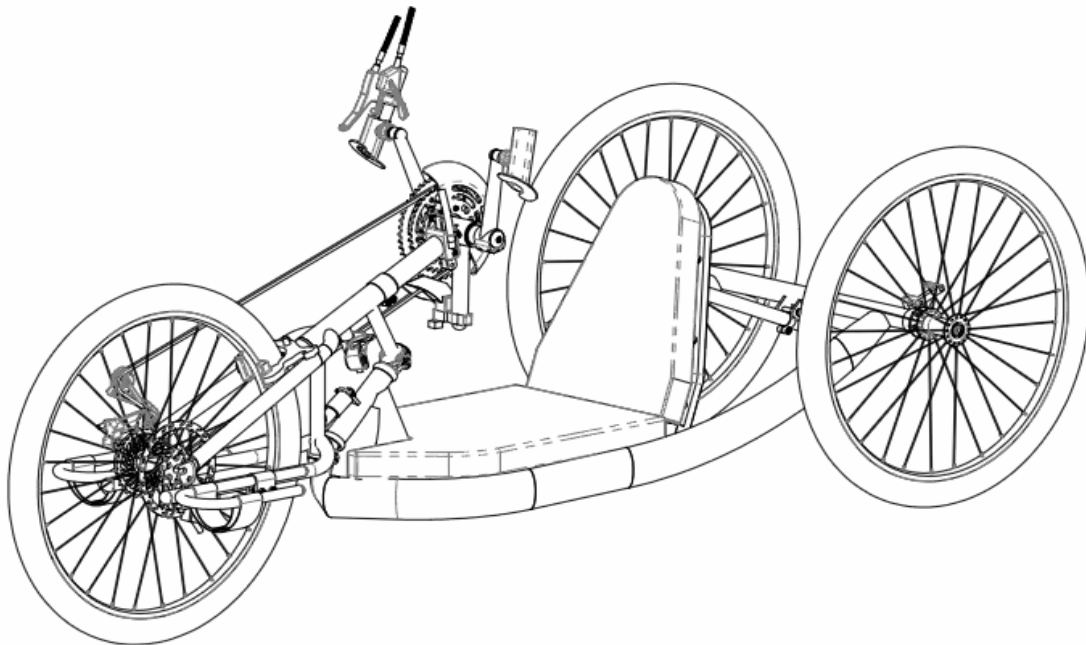




Sports and Recreation Products
4501 63rd Circle North
Pinellas Park, FL 33781
(800) 532-8677 (727) 522-8677
Fax: (727) 522-1007
www.topendwheelchair.com

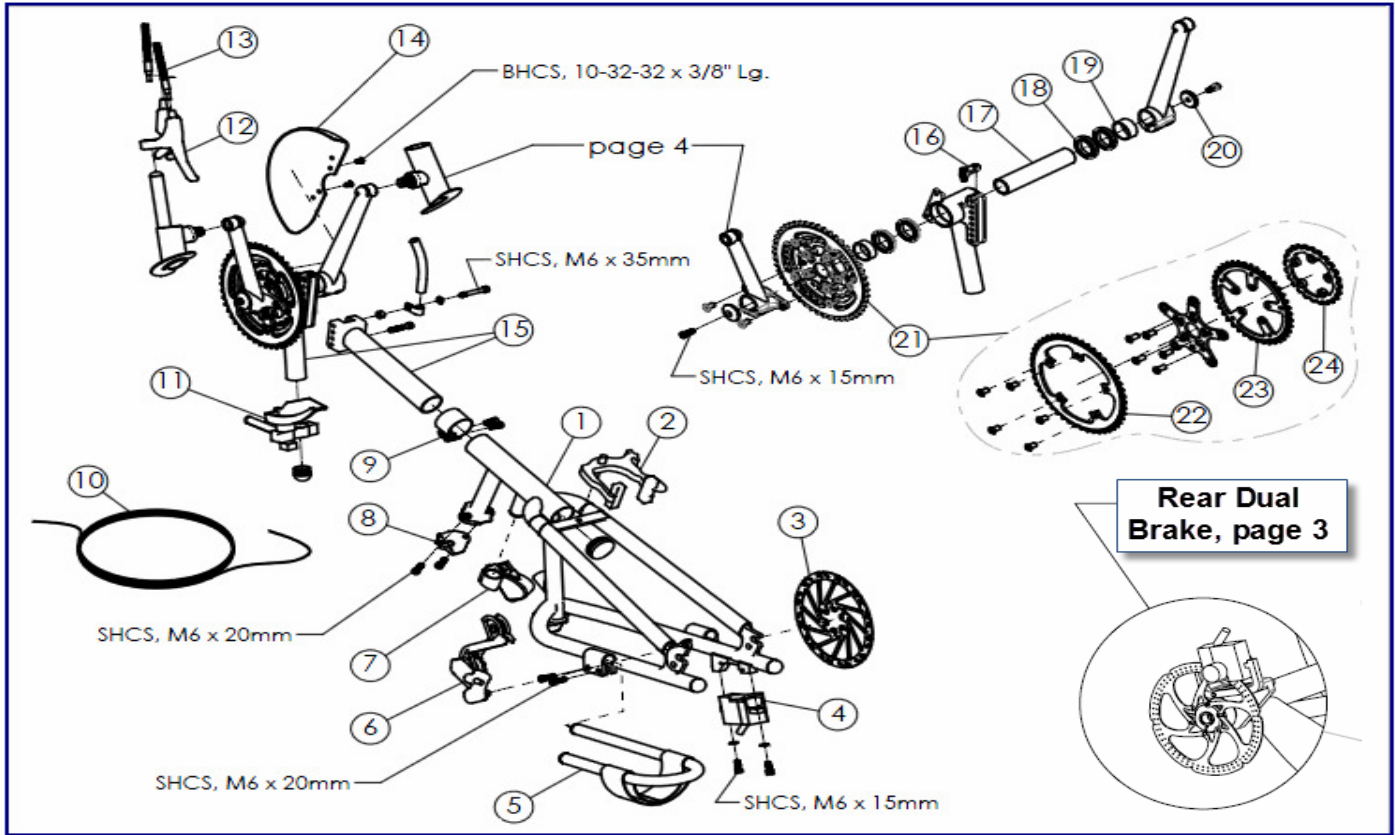
Invacare Top End Parts Catalog Force CC





Force CC Fork Assy

Date:	PO# / Customer#	Ship to <input type="checkbox"/> Customer <input type="checkbox"/> Provider
Provider: _____	Account # _____	Customer: _____
Phone: _____	Fax: _____	Phone: _____
		Top End Sales Order: _____
		Serial #: _____

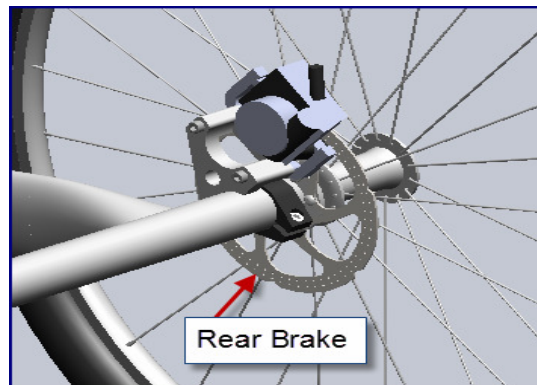
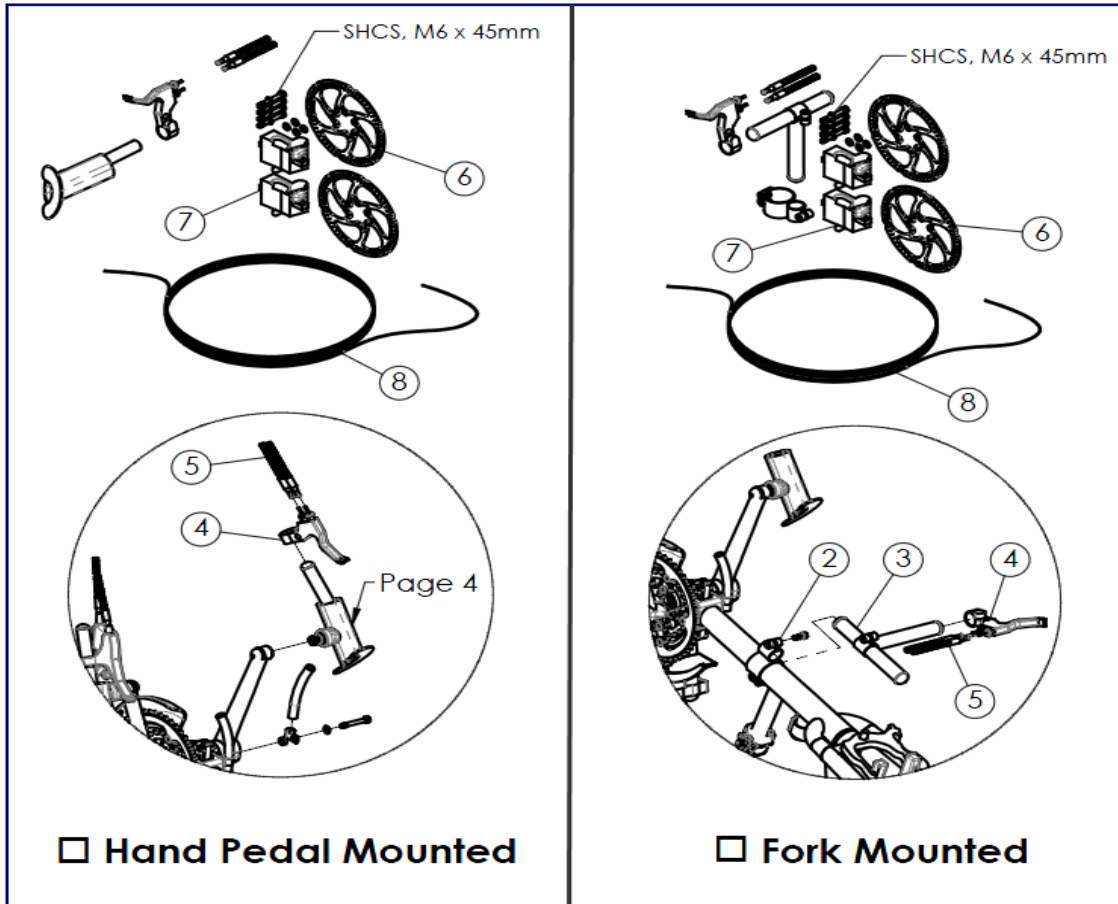


ITEM	PART NUMBER	PER BIKE	DESCRIPTION	QTY.
1	1166643	1	Fork, Force CC (incl: fork, 4 bolts) -Serial# Required- Color: _____	EA
2	1166689	1	Brake caliper set,	EA
3	1156768	1	Disc Brake Rotor for Standard Wheel Only	EA
	1156769	2	Replacement Pads for Disc Brake	PR
4	1156720	1	Disc Brake Caliper	EA
5	1146012	2	Handcycle Leg Support (3/4") w/ Strap <input type="checkbox"/> Right <input type="checkbox"/> Left (Include: Strap, p/n 1060650)	EA
	1181064	2	Footrest Tube,(3/4") w/ Velcro (only) <input type="checkbox"/> 3-3/4" w <input type="checkbox"/> 4-3/4" w	EA
	1060650	2	Strap, Footrest	EA
6	1054246	1	Front wheel derailleurs, 27 SPD	EA
7	1060291	1	Parking Brake Lever	EA
8	1166388	2	Clamp, Travel Ready	EA
9	1166666	1	Clamp, 1-3/8"	EA
10	1146014	1	Cable and Housing: <input type="checkbox"/> Parking Brake <input type="checkbox"/> Hand Brake <input type="checkbox"/> Shifter	EA
11	1139745	1	Manual Derailleur Assembly (incl: derailleur, lever, and hardware)	EA
12	1127946	1	RapidFire shifter/brake lever RH, 27Spd	EA
13	1181053	2	Cable spring Assy., handcycle	EA
14	1156773	1	Chainring Guard, Solid	EA
15	1153055	1	Crank Assy., Diagonal & Vertical Adj. <input type="checkbox"/> Cable Driven Derailleur (std) <input type="checkbox"/> Manual Derailleur (include: Housing, Shaft, and Hardwares),	EA
16	1181065	1	Cable Stop Assy., (include Hardwares)	EA
17	1153311	1	Spindle, Bottom Bracket, Spindle Length: <input type="checkbox"/> 6.75" <input type="checkbox"/> 7.25"	EA
18	1127921	4	Bearing, Bottom Bracket 30mm x 42 x 7	EA
19	1180993	2	Crank Spacer, (width: <input type="checkbox"/> 1/4" <input type="checkbox"/> 3/8" <input type="checkbox"/> 1/2" <input type="checkbox"/> 5/8" <input type="checkbox"/> 3/4" <input type="checkbox"/> 7/8" <input type="checkbox"/> 1")	EA
20	1145951	2	Cap, Spindle (With SHCS, M6 x 16mm)	EA
21	1166696	1	Chainring Asm, 44-34-22	EA
22	1166692	1	Alloy chainring, 44Tx110mm silver, Origin8	EA
23	1166693	1	Alloy chainring, 34Tx110mm silver, Origin8	EA
24	1166694	1	Alloy chainring, 22Tx58mm silver, Origin8	EA
	1057052	1	Standard Chain, (Ref. to Chainring Assy.) 9 Speed	EA
	1156685	1	Chain, Hollow Pin, SRAM (includes 2 packages) 9 Speed	EA



Dual Rear Brake Assy

Date:	PO# / Customer#	Ship to <input type="checkbox"/> Customer <input type="checkbox"/> Provide	
Provider: _____	Account # _____	Customer: _____	Top End Sales Order: _____
Phone: _____	Fax: _____	Phone: _____	Serial #: _____

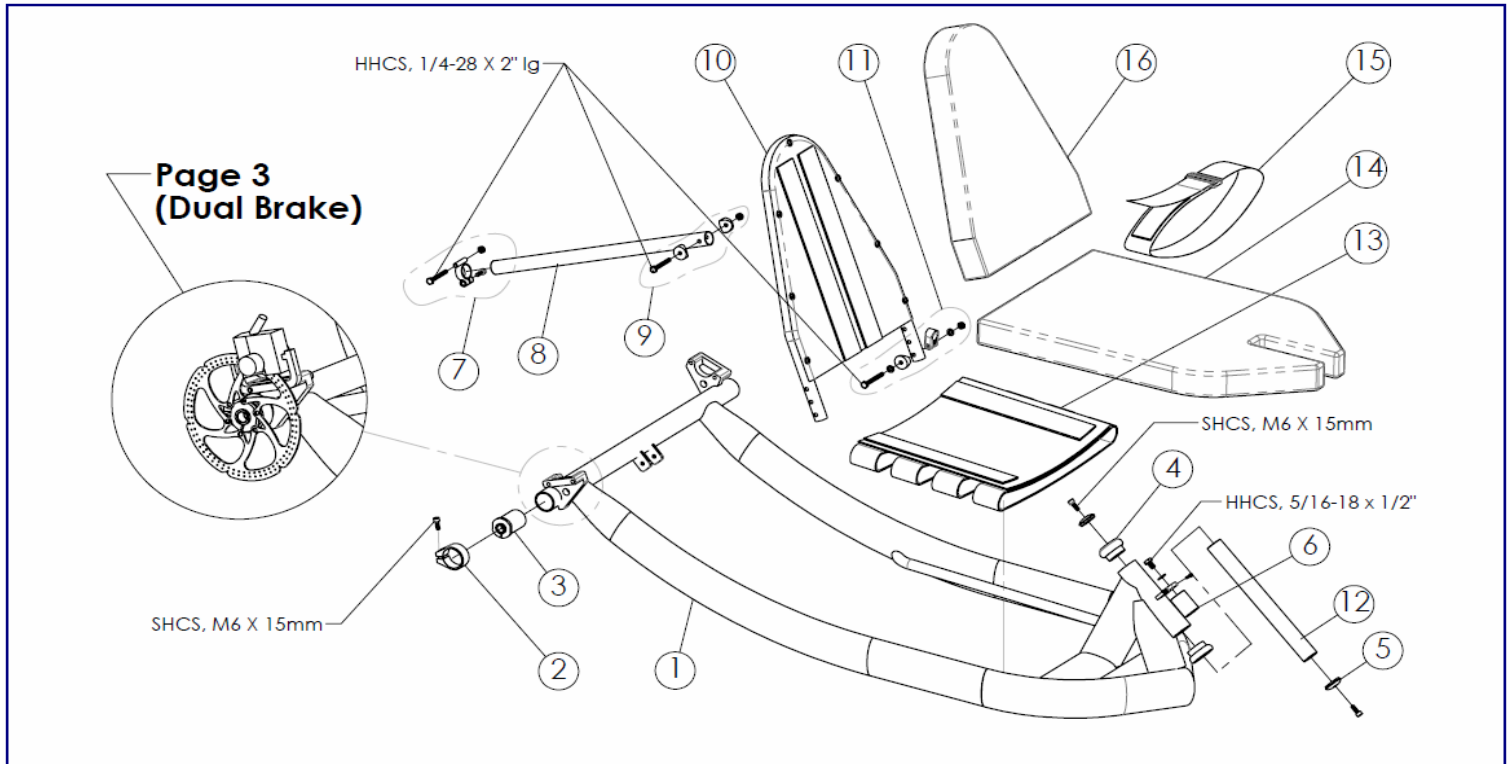


ITEM	PART NUMBER	PER BIKE	DESCRIPTION	QTY.	
1	XLT88	1	Dual Rear Disk Brake Kit, Brake Lever: <input type="checkbox"/> Hand Pedal Mounted (std), <input type="checkbox"/> Fork Mounted		EA
2	1166666	1	1-3/8" Clamp, (Fork Mounted only)		EA
3	1166676	1	Clamp, CC Brake Lever Mount, (Fork Mounted only)		EA
4	1166644	1	Brake lever for Dual Cables		EA
5	1181053	2	Cable spring Assy., handcycle		EA
6	1166649	2	Disc Brake Rotor, 160HS1 6B		EA
7	1156720	2	Disc Brake Caliper		EA
	1156769	2	Replacement Pads for Disc Brake		PR
8	1146014	2	Cable and Housing, for Dual Rear Brake		EA



Force CC Frame Assy.

Date: _____		PO# / Customer# _____		Ship to <input type="checkbox"/> Customer <input type="checkbox"/> Provider	
Provider: _____ Account # _____		Customer: _____		Top End Sales Order: _____	
Phone: _____ Fax: _____		Phone: _____		Serial #: _____	



ITEM	PART NUMBER	PER BIKE	DESCRIPTION		QTY.
1	1166642	1	Frame	Serial # Required: _____ -Seat Width: <input type="checkbox"/> 15" <input type="checkbox"/> 17"	EA
2	1116530	2	Camber Tube Clamp (with SHCS, M6 x 15mm)		EA
3	1061179	2	Camber Insert, Threaded Axle 0 Degree		EA
4	1166475	1	Headset, 1-1/8" dia. (Press Fit with item #1166642 Frame)		EA
5	1145951	2	Cap, Spindle with M6 x 15 mm Long Screws		EA
6	1146018	1	Dampener Assembly, STD Hardware		EA
	1166397	1	Dampener Assembly, Metric Hardware		EA
7	1153145	1	Pivot Clamp with hardware (SHCS M6 x 15mm, HHCS 1/4-20 x 2" LG., Locknut 1/4-20, Washers)		EA
8	1145958	1	Adjustable Back Support Tube		EA
9	1146019	1	Hardware, Upper Adjustable Back Support Tube (HHCS 1/4-20 x 2" LG., Locknut 1/4-20, Washers)		EA
10	1166254	1	Backrest	Serial # Required: _____ -Seat Width: <input type="checkbox"/> 15" <input type="checkbox"/> 17"	EA
11	1146022	1	Hardware, Lower Backrest (Set of 2 Assemblies) (Cope Washer, HHCS 1/4-28 x 2" Lg., Locknut 1/4-28, Washers)		PR
12	1146023	1	Headset Shaft Assembly (10-1/2" Long) Include 2 Star Nut		EA
13	1127963	1	Seat Upholstery	Seat Width: <input type="checkbox"/> 15 <input type="checkbox"/> 17 <input type="checkbox"/> Black <input type="checkbox"/> Camouflage	EA
14	1166508	1	Seat Cushion	Seat Width: <input type="checkbox"/> 15 <input type="checkbox"/> 17 <input type="checkbox"/> Black <input type="checkbox"/> Camouflage	EA
15	1109772	1	Seat Belt	Seat Width: <input type="checkbox"/> 15 <input type="checkbox"/> 17	EA
16	1166509	1	Back Cushion	Seat Width: <input type="checkbox"/> 15 <input type="checkbox"/> 17 <input type="checkbox"/> Black <input type="checkbox"/> Camouflage	EA

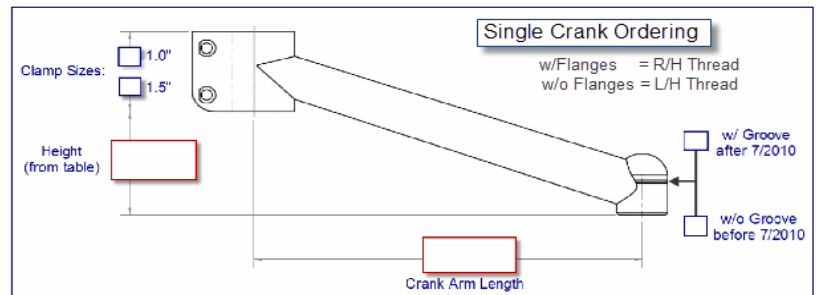
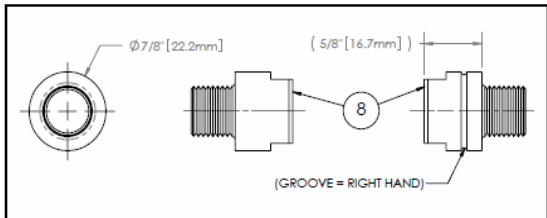
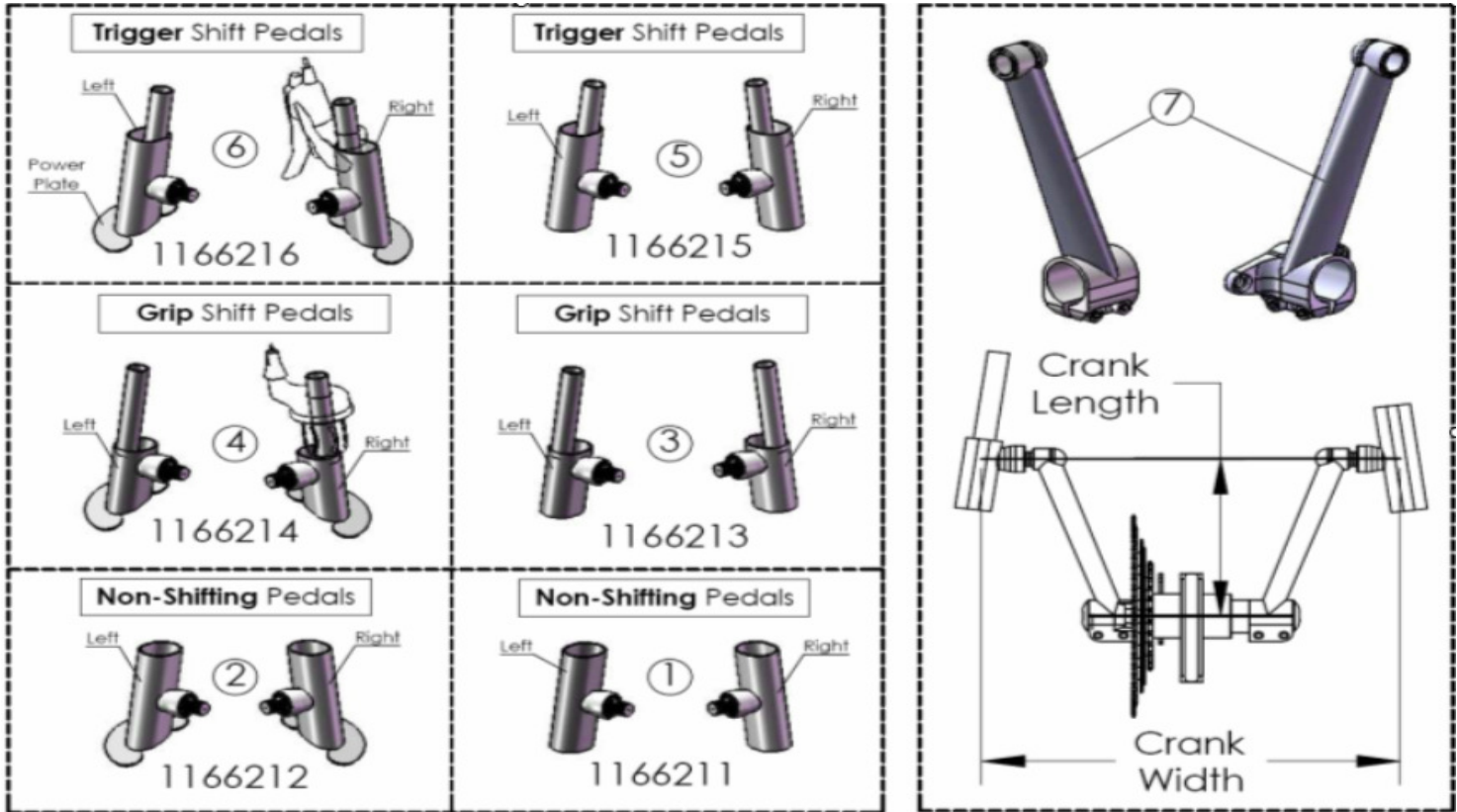


Force CC: Pedals and Arms

Date: _____ PO# / Customer# _____ Ship to Customer Provider _____

Provider: _____ Account # _____ Customer: _____ Top End Sales Order: _____

Phone: _____ Fax: _____ Phone: _____ Serial #: _____



ITEM	PART NUMBER	PER BIKE	Pedals and Cranks <i>after</i> July 19, 2010				QTY.	
Produced <i>after</i> July 19,2010 (Dot? YES)			Pedal Size	Pedal Size	Pedal Size	R or L	Dot?	
1	1166211	1	Handpedal, Non-Shifting	<input type="checkbox"/> Lg <input type="checkbox"/> Med <input type="checkbox"/> Sm		<input type="checkbox"/> R <input type="checkbox"/> L	Yes	EA
2	1166212	1	Handpedal w/ Power Plate, Non-Shifting	<input type="checkbox"/> Lg <input type="checkbox"/> Med <input type="checkbox"/> Sm		<input type="checkbox"/> R <input type="checkbox"/> L	Yes	EA
3	1166213	1	Handpedal, Grip Shift	<input type="checkbox"/> Lg <input type="checkbox"/> Med <input type="checkbox"/> Sm		<input type="checkbox"/> R <input type="checkbox"/> L	Yes	EA
4	1166214	1	Handpedal w/ Power Plate, Grip Shifting	<input type="checkbox"/> Lg <input type="checkbox"/> Med <input type="checkbox"/> Sm		<input type="checkbox"/> R <input type="checkbox"/> L	Yes	EA
5	1166215	1	Handpedal, Trigger Shift	<input type="checkbox"/> Lg <input type="checkbox"/> Med <input type="checkbox"/> Sm		<input type="checkbox"/> R <input type="checkbox"/> L	Yes	EA
6	1166216	1	Handpedal w/ Power Plate, Trigger Shift	<input type="checkbox"/> Lg <input type="checkbox"/> Med <input type="checkbox"/> Sm		<input type="checkbox"/> R <input type="checkbox"/> L	Yes	EA

Produced <i>after</i> July 19,2010 (Groove? YES)	Bike Serial #	Crank Length (mm)	Crank Width (in)	Groove?			
7	1166282	1	S-Crank Arm, Set	<input type="checkbox"/> 200 <input type="checkbox"/> 210	<input type="checkbox"/> 22 <input type="checkbox"/> 24	Yes	PR
	1166217	1	V-Crank Arm, Set	<input type="checkbox"/> 180 <input type="checkbox"/> 190	<input type="checkbox"/> 20	Yes	PR
8	1166515	1	Crank Width Extension Set, Adapter (Increases Overall Width by 1-1/4")				PR



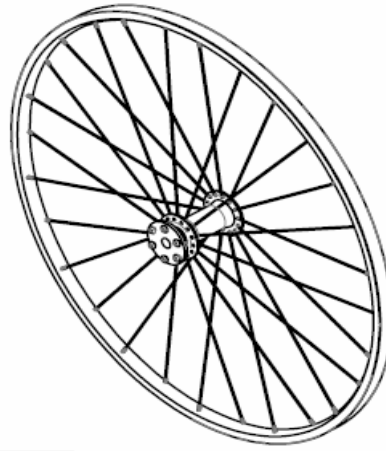
(800) 532-8677 (727) 522-8677 fax: (727) 522-1007

Force CC, Wheels

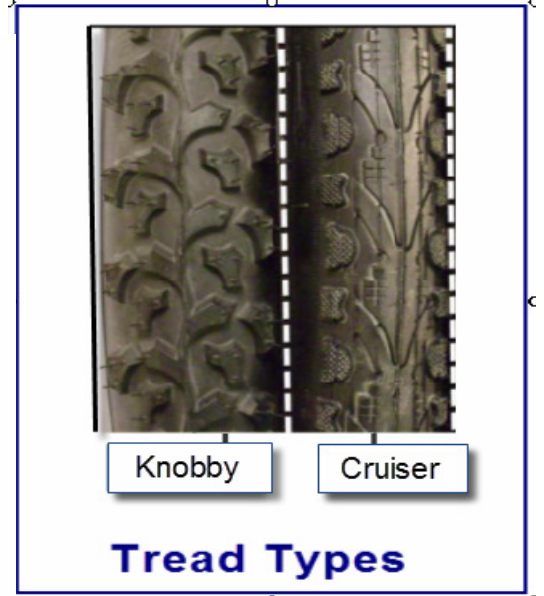
Date: _____		PO# / Customer# _____		Ship to <input type="checkbox"/> Customer <input type="checkbox"/> Provider	
Provider: _____		Account # _____		Customer: _____	
Phone: _____		Fax: _____		Top End Sales Order: _____	
				Serial #: _____	



Rear Wheel



Front Wheel

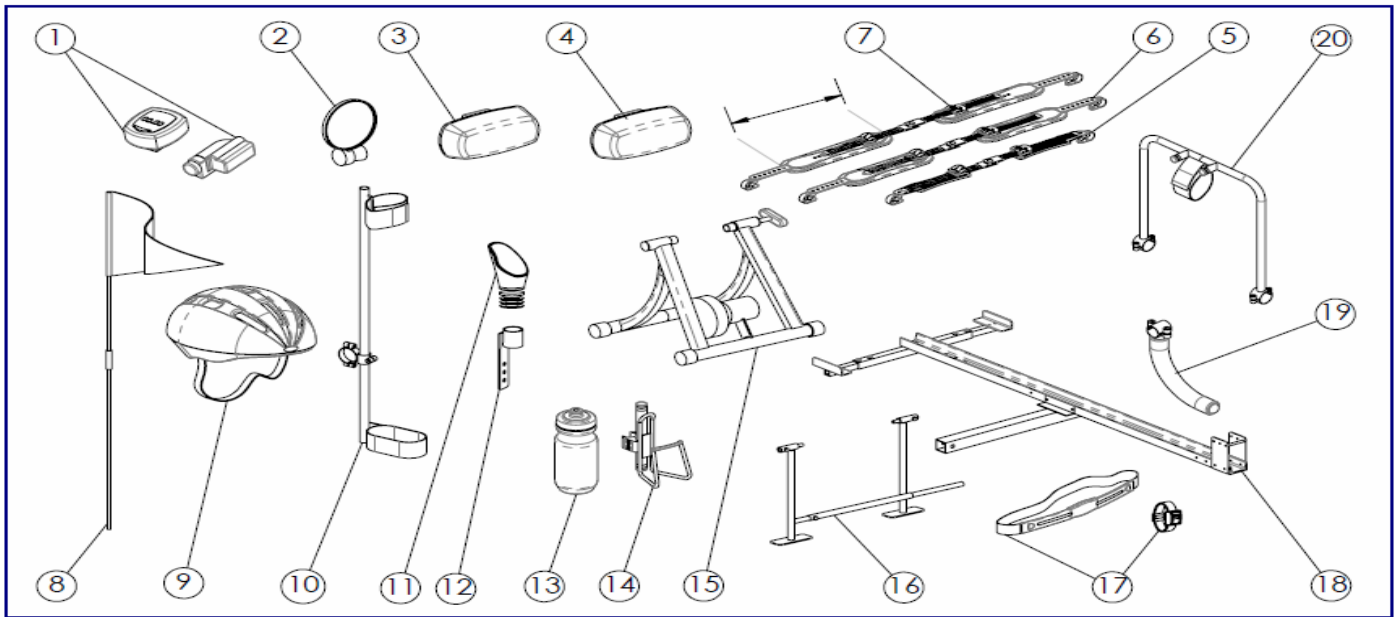


ITEM	PART NUMBE	PER BIKE	DESCRIPTION	QTY.
	1166683	1	Drive wheel, 26x1.5, disc brake 8/9 cass, 36H	EA
	1166695	2	Rear Wheel Assy., with Axle	EA
	1166679	3	Knobby tire, 26x2.1 (50-559) WTB Weirwolf	EA
	1166680	3	Tube, 26x1.90-2.35 w/Presta valve	EA
	1166681	3	Cruiser tire, 26x1.50 (40-559) Kenda Kwest reflective K193	EA
	1166682	3	Tube, 26x1.50-1.95 w/Presta valve	EA
	1156711	1	Sram Cassette Cluster: 11-34	EA



Force CC Accessories

Date:	PO# / Customer#	Ship to <input type="checkbox"/> Customer <input type="checkbox"/> Provide	
Provider: _____ Account # _____		Customer: _____	Top End Sales Order: _____
Phone: _____ Fax: _____		Phone: _____	Serial #: _____



ITEM	PART NUMBER	PER BIKE	DESCRIPTION	QTY.
1	1056875	1	Cordless Computer	EA
2	1068722	1	Mirror, Footrest Mount	EA
3	1068721	1	Front Safety Light (clear)	EA
4	1060841	1	Rear Safety Light (red)	EA
5	1152963	1	Click Strap Set, 8" (small)	EA
6	1152964	1	Click Strap Set 10" (medium)	EA
7	1152965	1	Click Strap Set 12" (large)	EA
8	1060642	1	Safety flag	EA
	1156741	1	Flag Holder	EA
9	1060639	1	Helmet: <input type="checkbox"/> Small <input type="checkbox"/> Medium <input type="checkbox"/> Large	EA
10	1068723	1	Crutch Holder, Indicated Bike Model and serial #)	EA
11	1153045	1	Mirror, Handle Mount	EA
12	1166628	1	Mirror Bracket, Chainguard Mount (include: two Screw, #10-32 x 1/2")	EA
13	1166517	1	Water Bottle	EA
14	1068718	1	Water Bottle, Cage and Hardware (Indicated Bike Model)	PR
15	1116580	1	Indoor Training Roller	EA
	XLT86	1	LeMond Revolution trainer w/power meter	EA
	XLT87	1	LeMond Revolution trainer	EA
	XLT97	1	SportCrafters handcycle mini roller	EA
16	1109717	1	Alignment Guage	EA
17	1139799	1	Heart Monitor (Chest Strap and Watch)	EA
18	1068771	1	Bike Rack for trailer hitch Receiver Size: <input type="checkbox"/> 1-1/4" (std) <input type="checkbox"/> 2"	EA
19	1166379	1	Support Curve Leg, Kit	EA
20	1068720	1	Tow Bar for wheel chair	EA
	1065268	1	Leg Guard Attachment	EA
	1060798	1	Backpack Hydration System	EA
	1166518	1	Tool and Tire Repair Kit	EA
	RACE4	1	Wheel Bag (fit 3 700c Wheel)	EA
	RACE20	1	Handcycle Travel Bag	EA
	RACE13	1	Top End Racing Jersey, Short Sleeve <input type="checkbox"/> L <input type="checkbox"/> XL	EA
	RACE22	1	T-Shirt with Top End Logo, <input type="checkbox"/> L <input type="checkbox"/> XL	EA