

Spare Parts Catalogue

Version: 2012/11/06a EN



Invacare® Etude Plus™



Yes, you can.®

General Information

For any order of spare parts the following information is required:

- Product type*
- Product name & model*
- Serial Number*
- Part-Number*
- Part-Description*

Exploded view drawings and code numbers are not contractual and subject to modification, in relation to Invacare® continuous product improvement policy to meet end users needs.

The reproduction or use of this work, or of any substantial part of this work, in any form or by any electronic, mechanical or other means, including photocopying, scanning and recording, and in any information storage and retrieval system, including electronic transmission, is forbidden without the prior written permission of Invacare® International Sarl.



Yes, you can.®

TABLE OF CONTENTS

Mattress support

Mattress support	5
Mattress support, head end w/backrest reclining	6
Actuator, head end with backrest reclining	7
Control unit parts	8
Mattress support, head end with backrest	9
Actuator, head end with backrest	10
Control unit parts	8
Mattress support, leg end	11
Actuator, leg end	12

Castors

100 mm castors with brake	13
---------------------------	----

Bed end for lifting

Lifting bed end	14
100 mm castors with brake	13
Actuator, bed end	15
Extra bed end plate	16

Electrical parts

Actuator, head end with backrest	10
Control unit parts	8
Actuator, head end with backrest reclining	7
Control unit parts	8
Actuator, bed end	15
Control unit parts	8
Hand control	17
Actuator, leg end	12

Side rails

Britt V side rail	18
Scala steel side rail	19
Scala Basic 2, side rail	20
Scala Medium 2, side rail	21
Scala Decubi 2, side rail	22
Scala Basic Plus 2, side rail	23

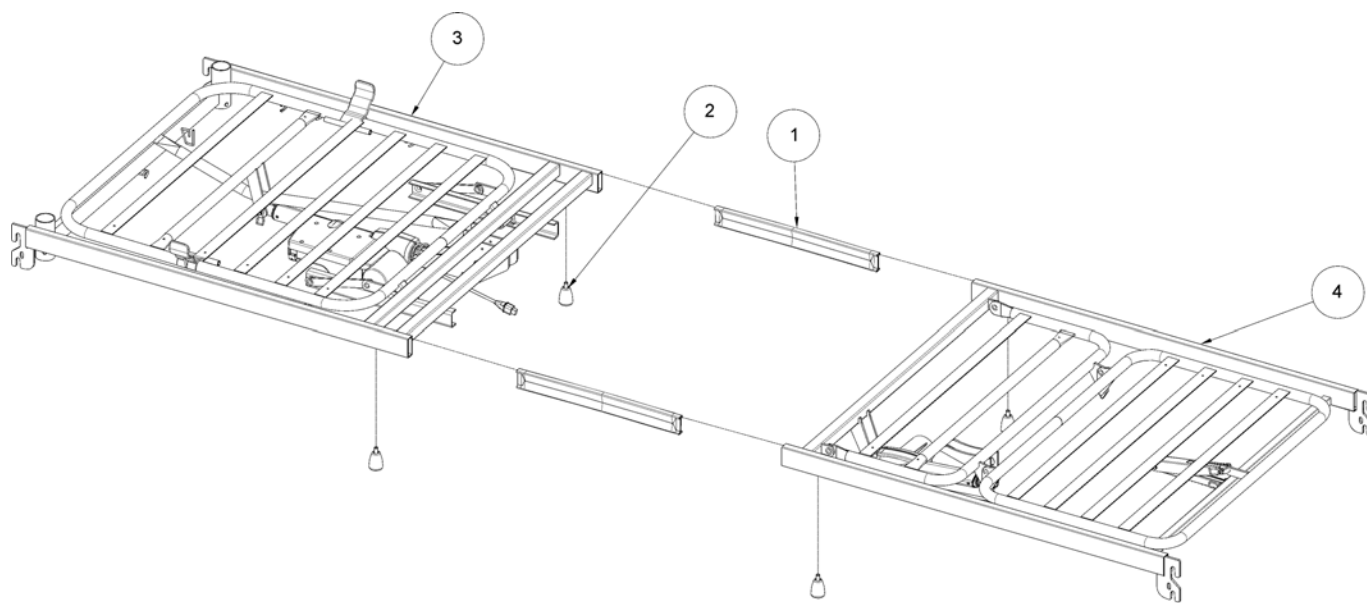
Lifting pole

Lifting pole, Carebed, light	24
------------------------------	----

Accessories

Transport adaptor	25
-------------------	----

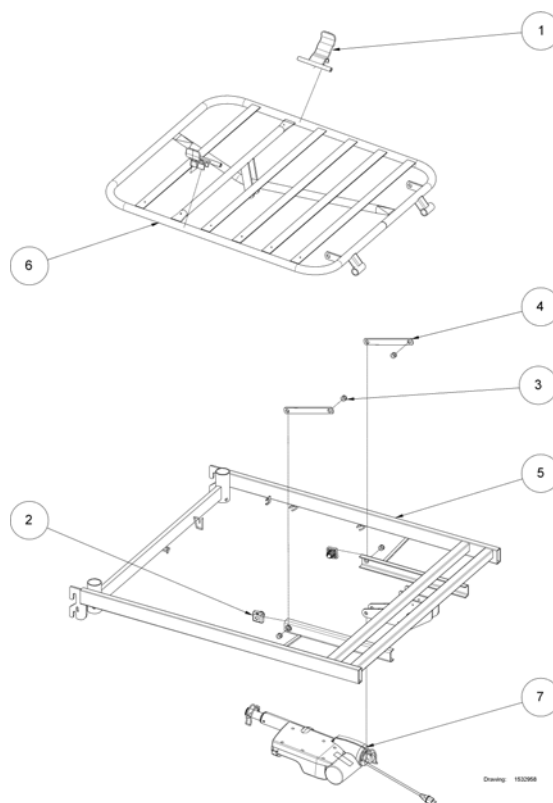
Mattress support



Drawing: 1552406

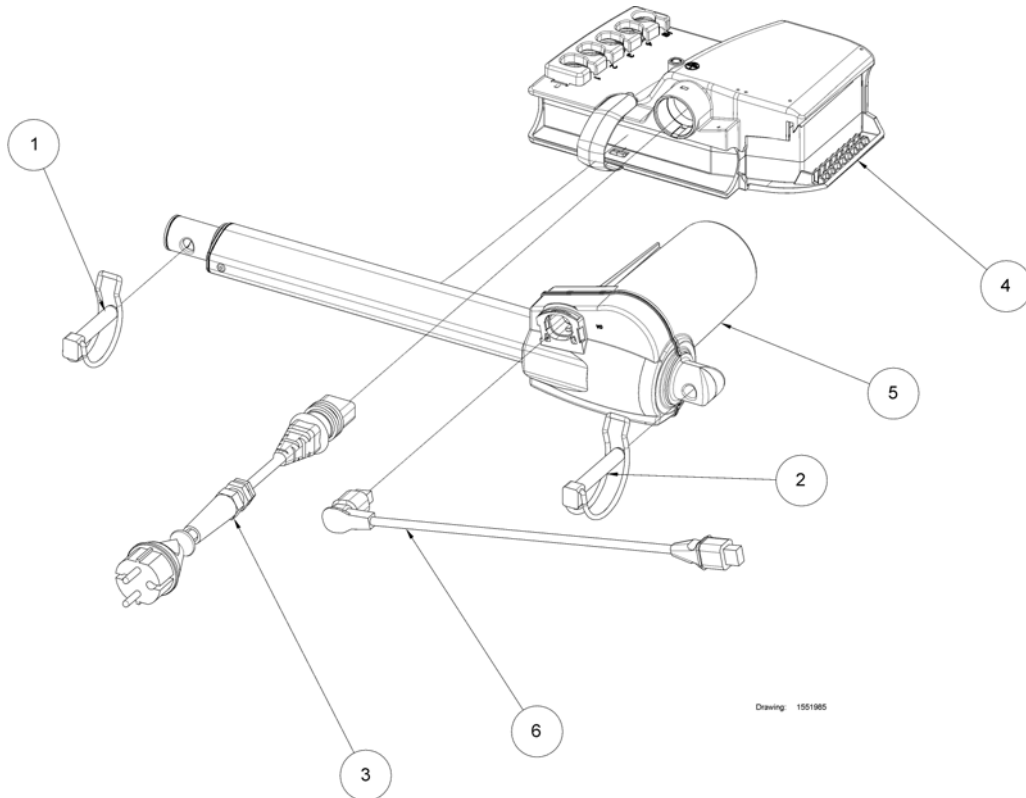
Pos.	Part number	Description	Valid from → until	Qty
3	-	Mattress support, head end w/backrest reclining		1
3	-	Mattress support, head end with backrest		1
4	-	Mattress support, leg end		1
1	SP419238-0002	Insert tube		2
2	SP1435325-7035	Finger screw M8x13 mm RAL7035		4

Mattress support, head end w/backrest reclining



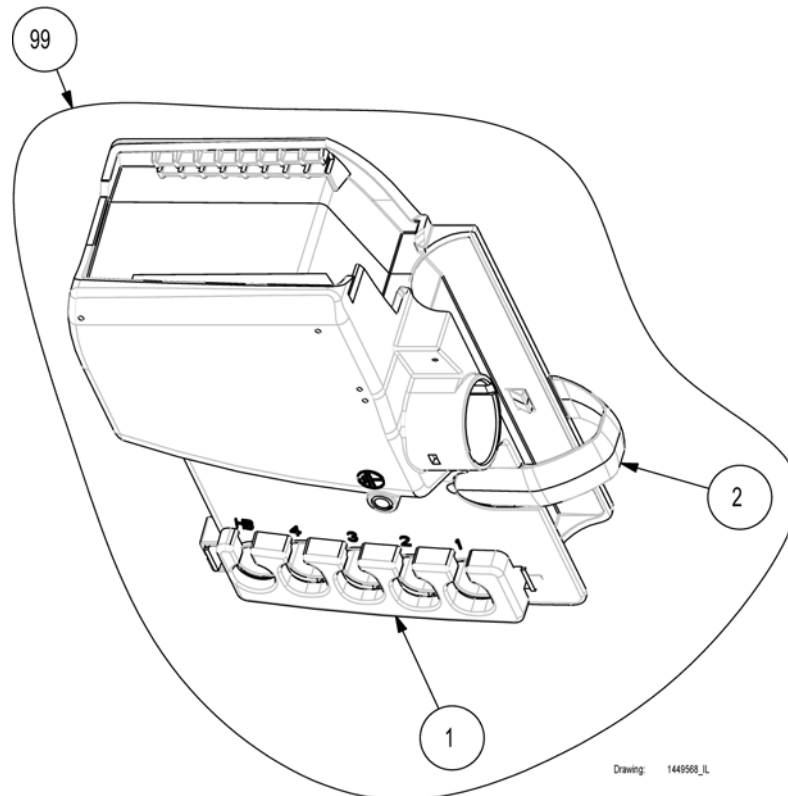
Pos.	Part number	Description	Valid from → until	Qty
7	-	Actuator, head end with backrest reclining		1
1	SP215989-7035	Mattress holder		2
2	SP319155-7035	Grey slide shoe		2
3	SP408348	Tubular rivet, ø12x15,7		4
4	SP420939-0154	Tension rod		2
5	SP1530669	Top frame, head with backrest reclining		1
6	SP1530713	Backrest		1

Actuator, head end with backrest reclining



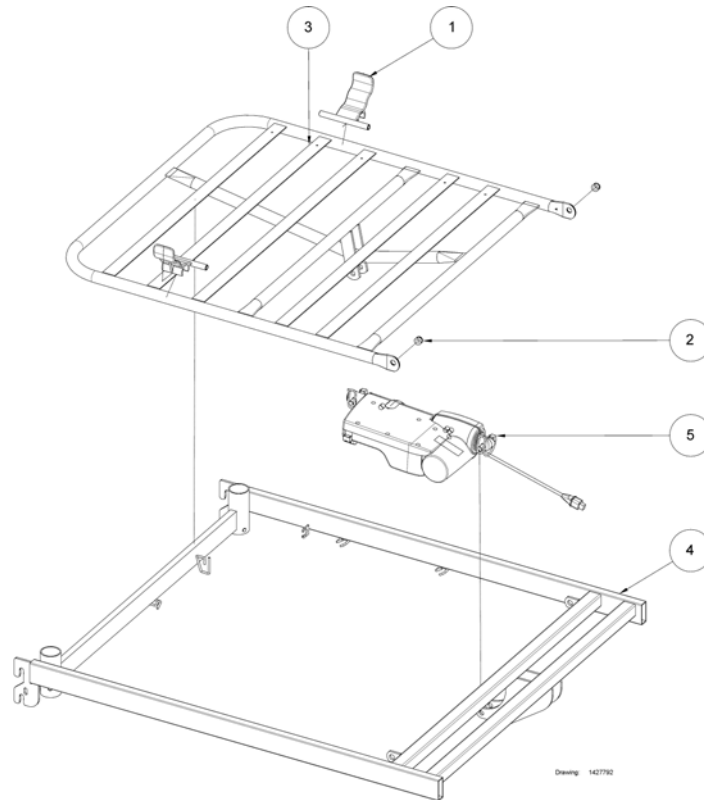
Pos.	Part number	Description	Valid from → until	Qty
4	-	Control unit parts		1
1	SP819411	Pipe pin, $\varnothing 10 \times 50$		1
2	SP819439	Tube split pin $\varnothing 10 \times 60$		1
3	SP1417517-7035	Main cable (4,35m) with EU plug		1
3	SP1539738-7035	Main cable (4,35m) with AUS plug		1
3	SP1539737-7035	Main cable (4,35m) with UK plug		1
5	SP1531616-7035	Actuator 24V, LA27		1
6	SP1551455-7035	Cable for motor, LA27		1

Control unit parts



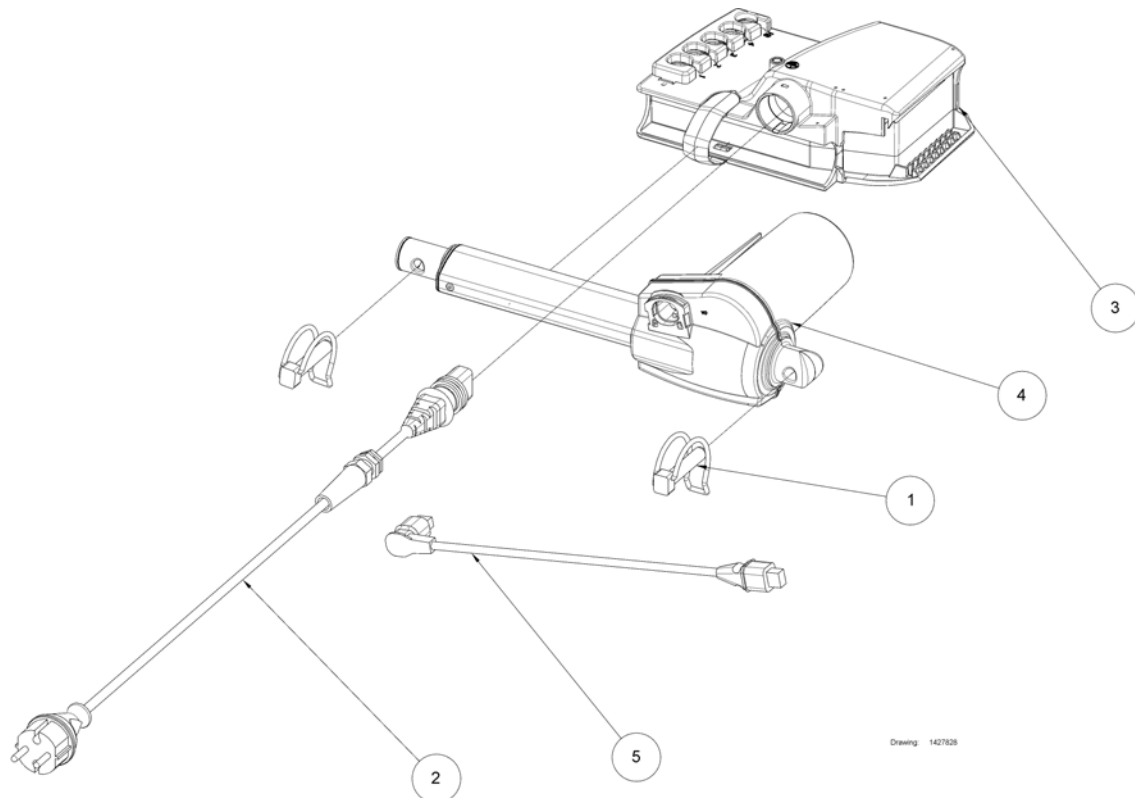
Pos.	Part number	Description	Valid from → until	Qty
1	1423968.50	Control unit locking clip for actuators plugs		1
2	1427705	Control unit fitting clip for backrest actuator		1
99	1449568	Control unit CB06		1

Mattress support, head end with backrest

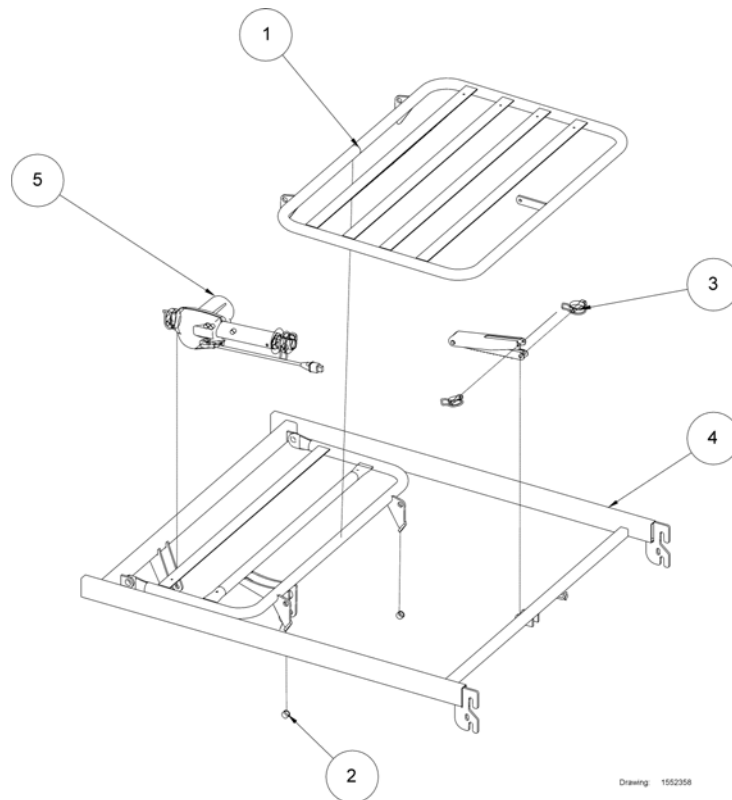


Pos.	Part number	Description	Valid from → until	Qty
5	-	Actuator, head end with backrest		1
1	SP215989-7035	Mattress holder		2
2	SP408348	Tubular rivet, $\varnothing 12 \times 15,7$		2
3	SP1421391	Backrest		1
4	SP1427793	Top frame, head with backrest		1

Actuator, head end with backrest

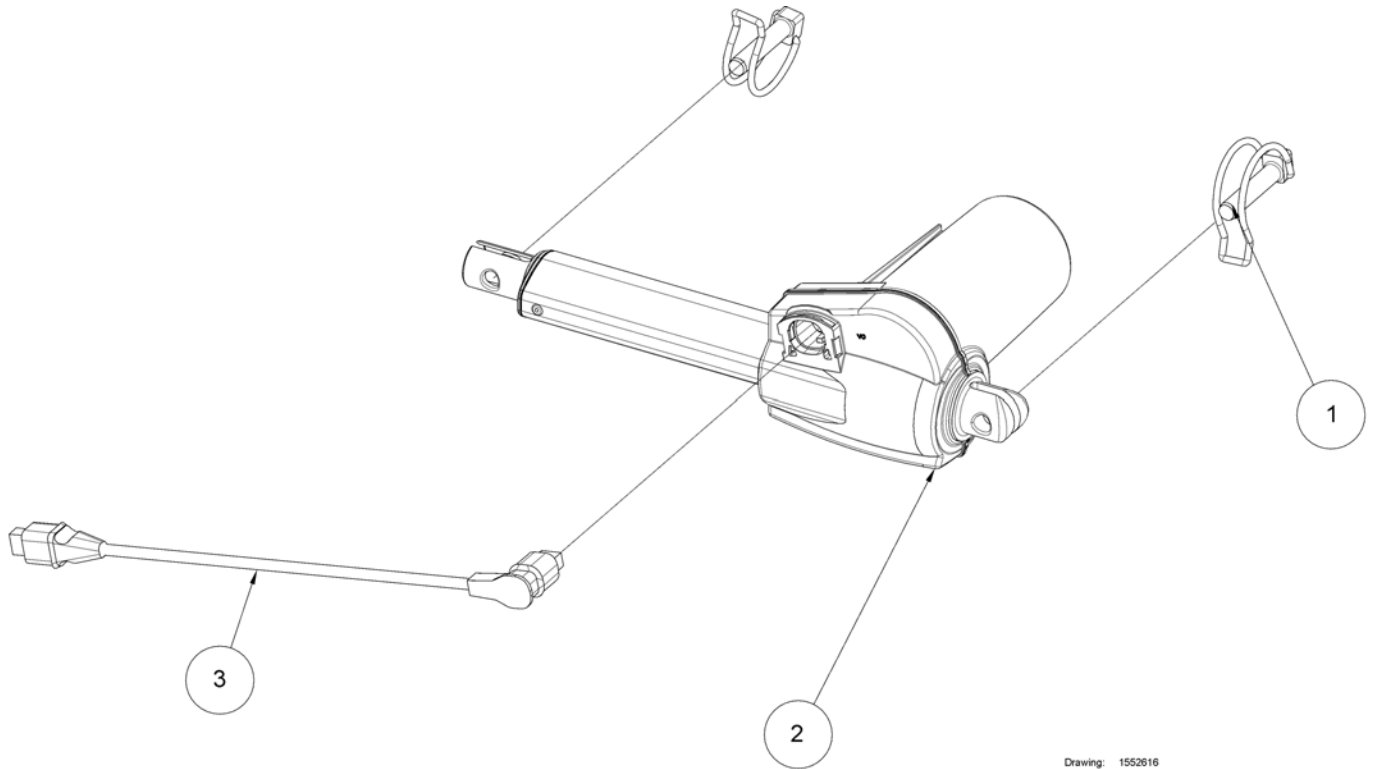


Pos.	Part number	Description	Valid from → until	Qty
3	-	Control unit parts		1
1	SP819411	Pipe pin, ø10x50		2
2	SP1417517-7035	Main cable (4,35m) with EU plug		1
2	SP1539738-7035	Main cable (4,35m) with AUS plug		1
2	SP1539737-7035	Main cable (4,35m) with UK plug		1
4	SP1551454-7035	Actuator 24V, LA27		1
5	SP1551455-7035	Cable for motor, LA27		1



Pos.	Part number	Description	Valid from → until	Qty
5	-	Actuator, leg end		1
4	SP1423882	Top frame, leg section		1
3	SP1417418	Ratchet and pins kit 4 sections		1

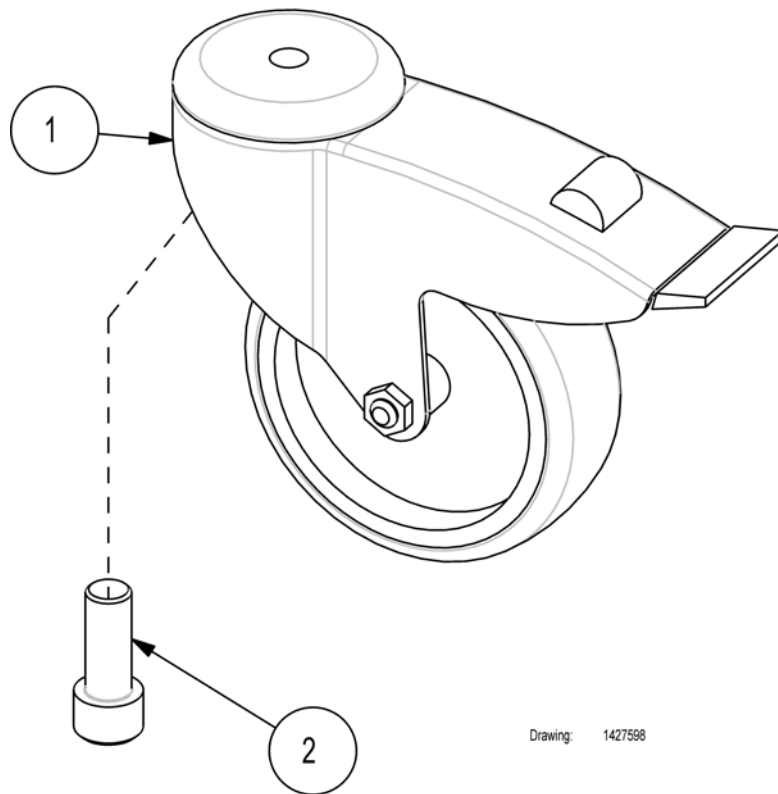
Actuator, leg end



Drawing: 1552616

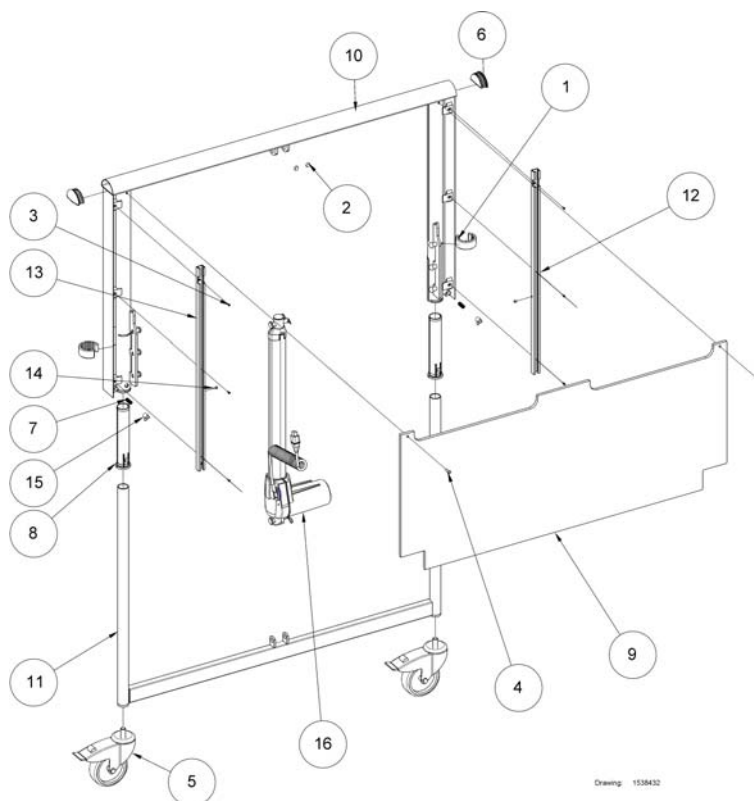
Pos.	Part number	Description	Valid from → until	Qty
1	819411	Safety pin Ø10 x 50 mm		2
2	SP1551456-7035	Actuator, 24V, LA27		1
3	SP1551457-7035	Cable for motor, LA27		1

100 mm castors with brake

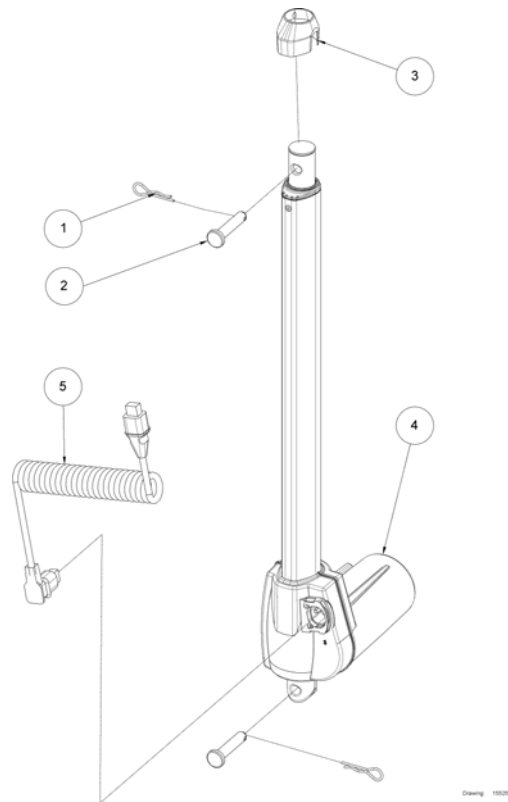


Pos.	Part number	Description	Valid from → until	Qty
1	818383	Castor Ø100 mm		4
2	803066	Screw Chc M12x30 mm self locking		4

Lifting bed end



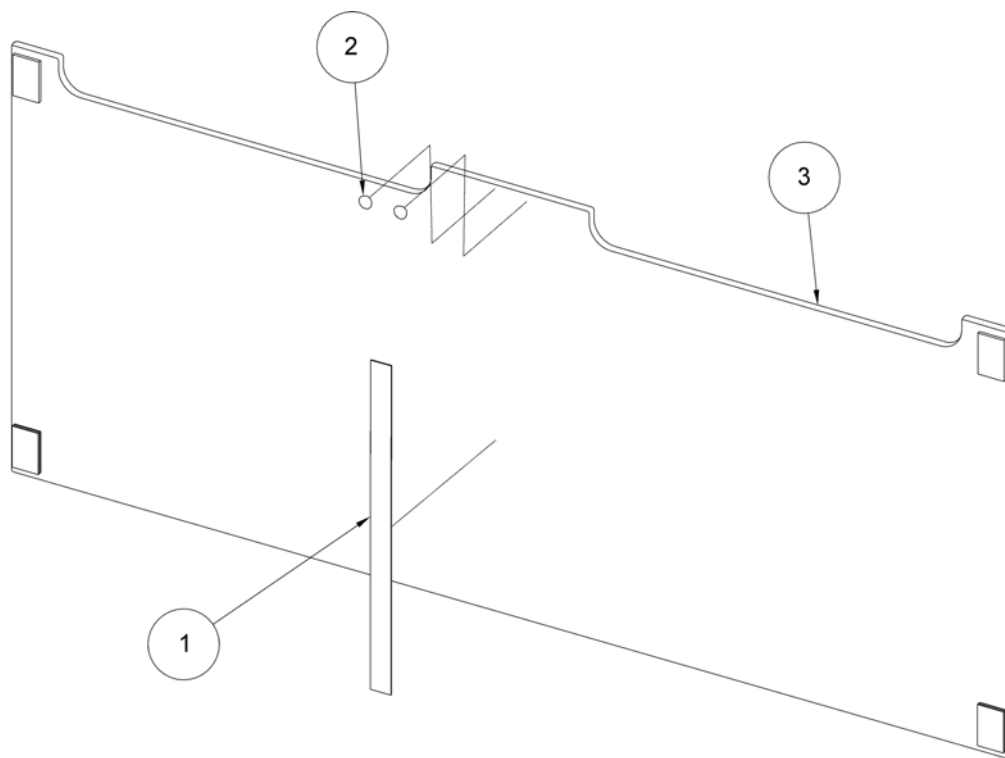
Pos.	Part number	Description	Valid from → until	Qty
5	-	100 mm castors with brake		1
16	-	Actuator, bed end		1
1	SP418443-7035	Loking ring Ø52xØ37.5x24		2
2	SP806775	Part not for sale		2
3	SP812847	Screw, ø2,5x10		6
4	SP818305	Rivet 4,8x16mm		2
6	SP1441400-7035	End plug		2
7	SP1441486	Spring		2
8	SP1497902-7035	Plastic tube part with lock, for bed ends		4
9	SP1538316-0101	Bed end, woodplate		1
10	SP1538383-0154	Upper bedend		1
11	SP1538390-0154	Lower bedend		1
12	SP1538433	Guides for side rail, right		1
13	SP1538434	Guides for side rail, left		1
14	SP1543411	Rivet		2
15	SP1545056	Locking pin		2



Drawing: 115204

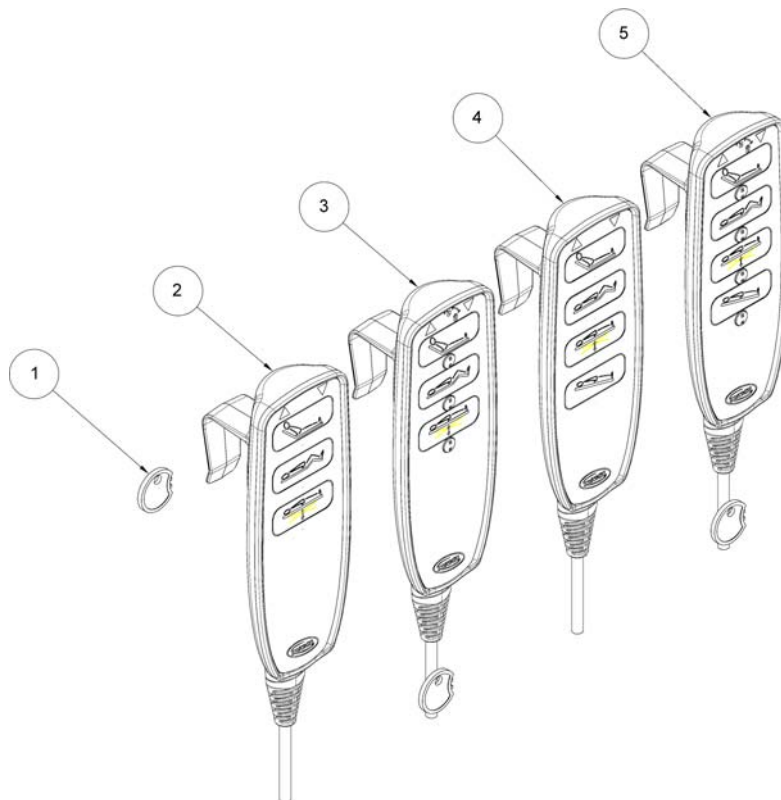
Pos.	Part number	Description	Valid from → until	Qty
1	SP816427	Spring pin, ø2		2
2	SP821244	Clevis pin Ø10x50 ISO 2341		2
3	SP1432760-7035	Plastic cap		1
4	SP1551452-7035	Motor, 24V LA27		1
5	SP1551453-7035	Cable, LA27		1

Extra bed end plate



Drawing: 1551230_L

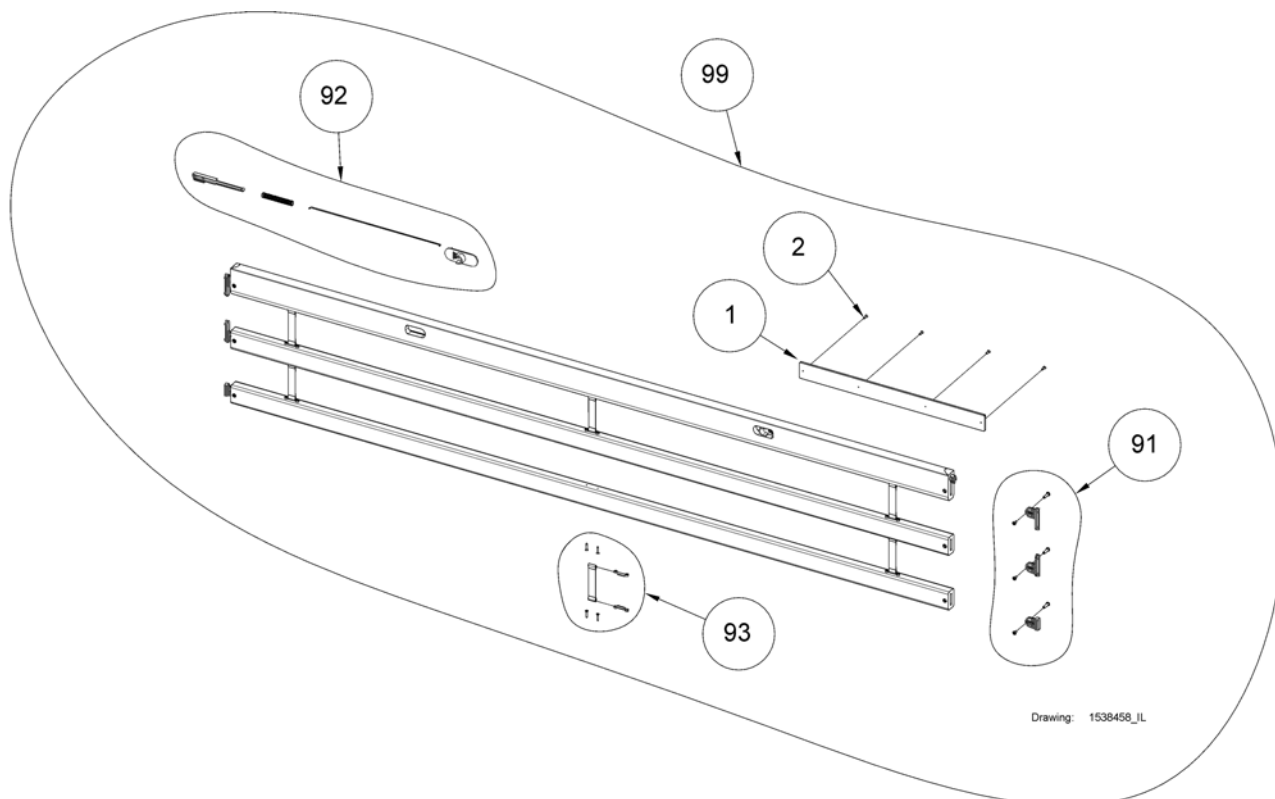
Pos.	Part number	Description	Valid from → until	Qty
2	SP1538443	Velcro soft side		1
3	SP1551228	Part not for sale		1

Hand control

Drawing: 150201

Pos.	Part number	Description	Valid from → until	Qty
1	SP1493529	Blocking key for hand control HL80		1
2	SP1548930-7035	Hand control, HB83		1
3	SP1548932-7035	Hand control, HL83		1
4	SP1548934-7035	Hand control with tilt, HB84		1
5	SP1548936-7035	Hand control with tilt, HL84		1

Britt V side rail

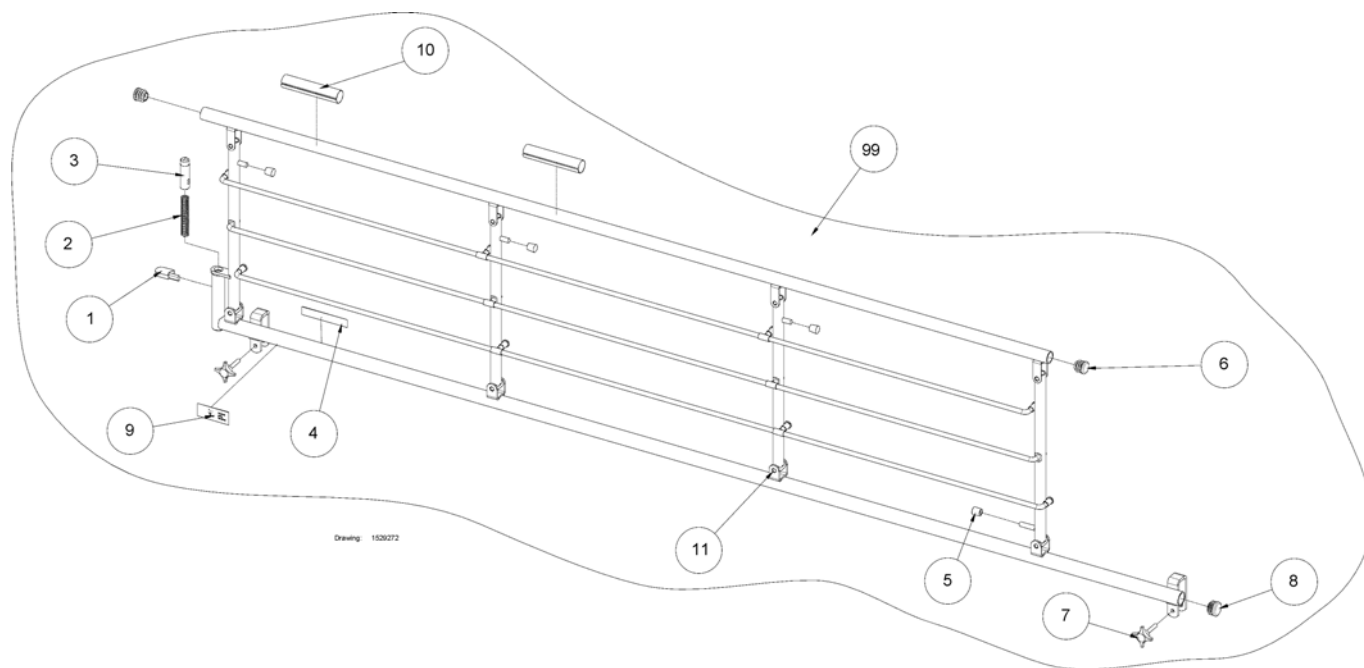


Pos.	Part number	Description	Valid from → until	Qty
1	1538460-0101	Wood cover piece, Britt V, beech		2
1	1538460-0102	Wood cover piece, Britt V, cherry		2
1	1538460-0105	Wood cover piece, Britt V, white pigmented		2
2	816449	Screw, Ø3,5x15		8
91	1552606	Sliding kit for side rail Britt V		1
92	1552607	Release system kit for wooden side rails Britt V		1
93	1552608	Spare parts kit 3, strap w/ fittings (1 side rail)		1
99	1538458-0101	Side rail, Britt V, beech (1 pair)		1
99	1538458-0102	Side rail, Britt V, cherry (1 pair)		1
99	1538458-0105	Side rail, Britt V, white pigmented (1 pair)		1

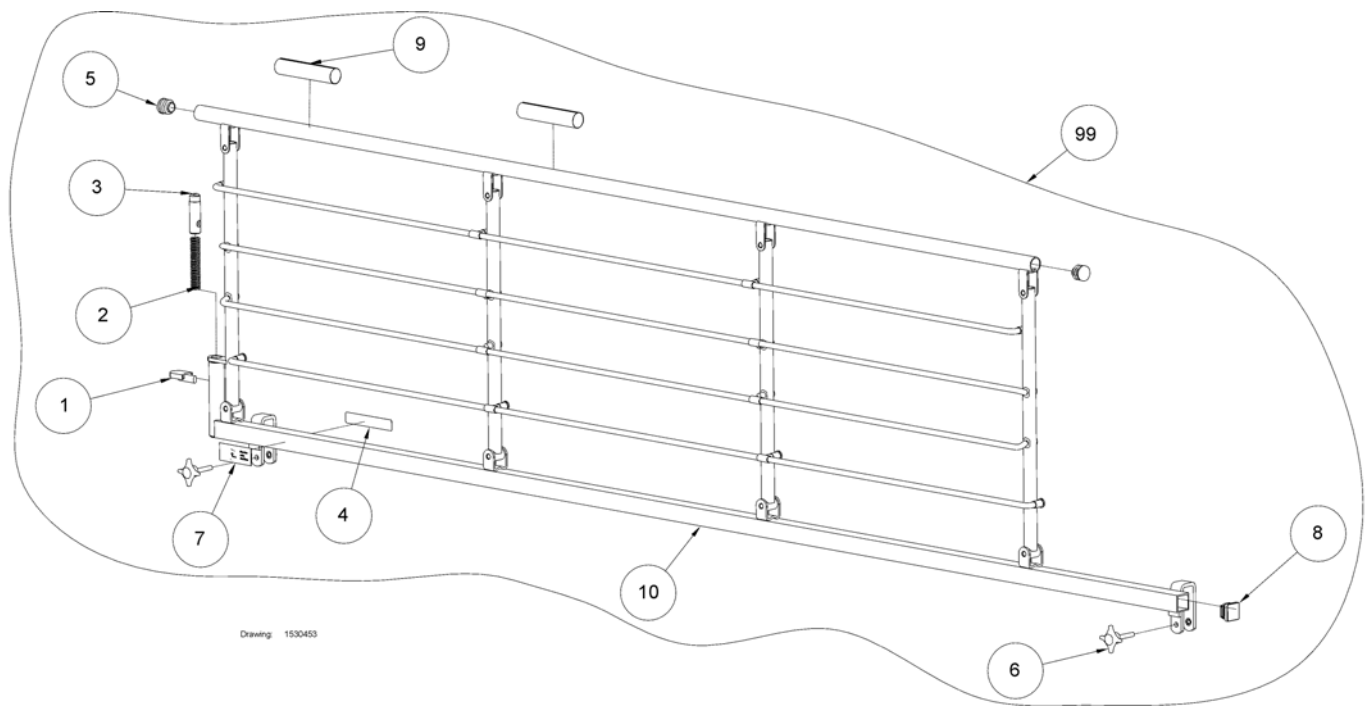
Scala steel side rail

Pos.	Part number	Description	Valid from → until	Qty
-		Scala Basic 2, side rail		1
-		Scala Medium 2, side rail		1
-		Scala Decubi 2, side rail		1
-		Scala Basic Plus 2, side rail		1

Scala Basic 2, side rail

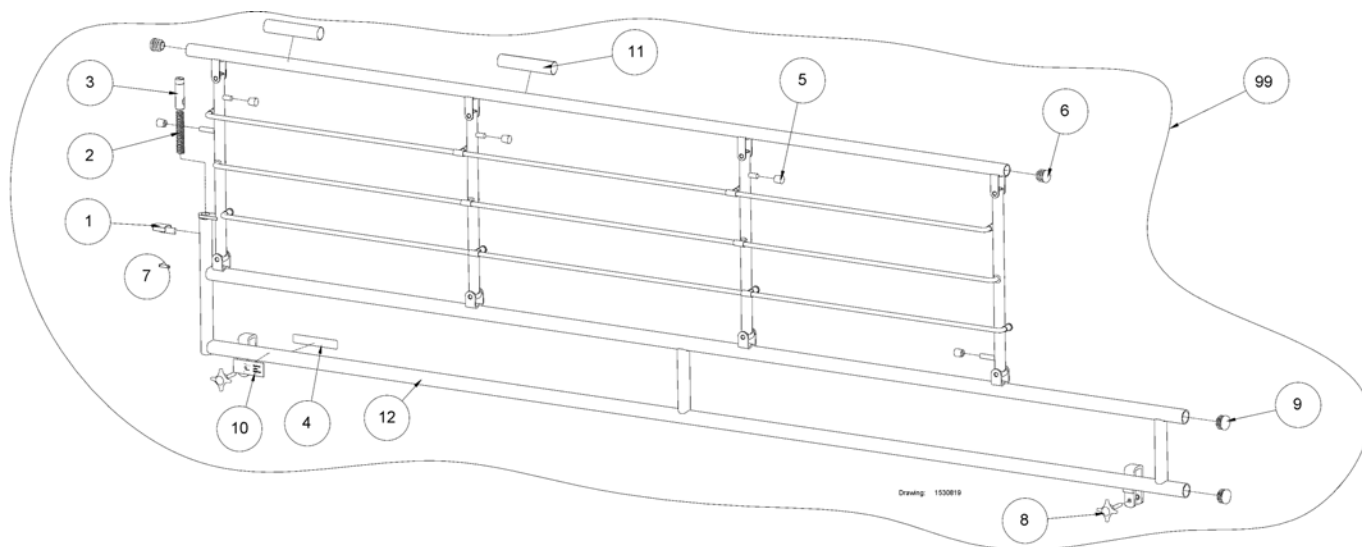


Pos.	Part number	Description	Valid from → until	Qty
1	314291-7035	Release button for steel side rail		1
2	414465	Spring Ø13,5x75xØ1,5		1
3	414965-7035	Ratchet for release button		1
4	416303	Type badge 15.9x88.9 white (silver-poly)		1
5	804386-7035	Ferrule ø8		4
6	804399-7035	End plug Ø22		2
7	818388-7035	Finger screw M6x35		2
8	819424-7035	Part not for sale		1
9	1415774	Label for positioning of side rail		0
10	1435100	Label for placement of hands, metal side rails		2
11	1529270	Part not for sale		0
11	1528975	Part not for sale		0
99	1529272-0154	Side Rail, Scala 2 Basic - Right		1
99	1528931-0154	Side Rail, Scala 2 Basic - Left		1

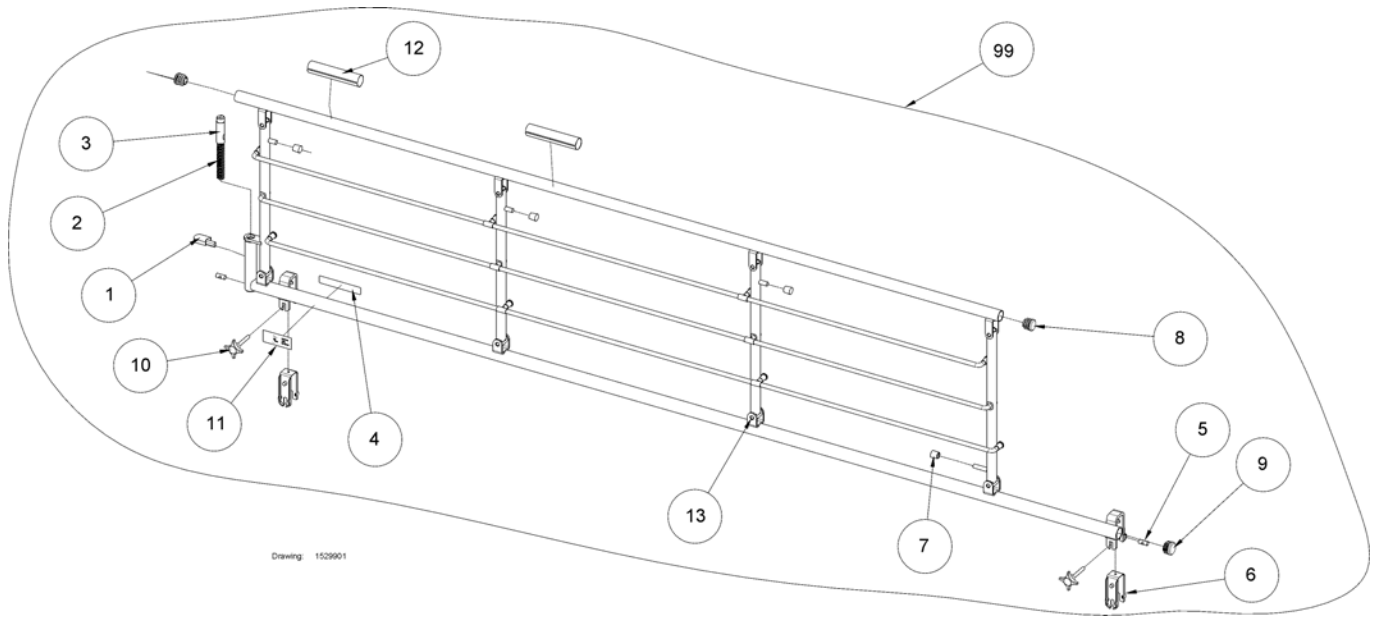


Pos.	Part number	Description	Valid from → until	Qty
1	314291-7035	Release button for steel side rail		1
2	414465	Spring Ø13,5x75xØ1,5		1
3	414965-7035	Ratchet for release button		1
4	416303	Type badge 15.9x88.9 white (silver-poly)		1
5	804399-7035	End plug Ø22		2
6	818388-7035	Finger screw M6x35		2
7	1415774	Label for positioning of side rail		0
8	1423912-7035	Ferrule 25x25		1
9	1435100	Label for placement of hands, metal side rails		2
10	1530454	Part not for sale		0
10	1530438	Part not for sale		0
99	1530453-0154	Side Rail, Scala 2 Basic Medium - Right		1
99	1530437-0154	Side Rail, Scala 2 Basic Medium - Left		1

Scala Decubi 2, side rail

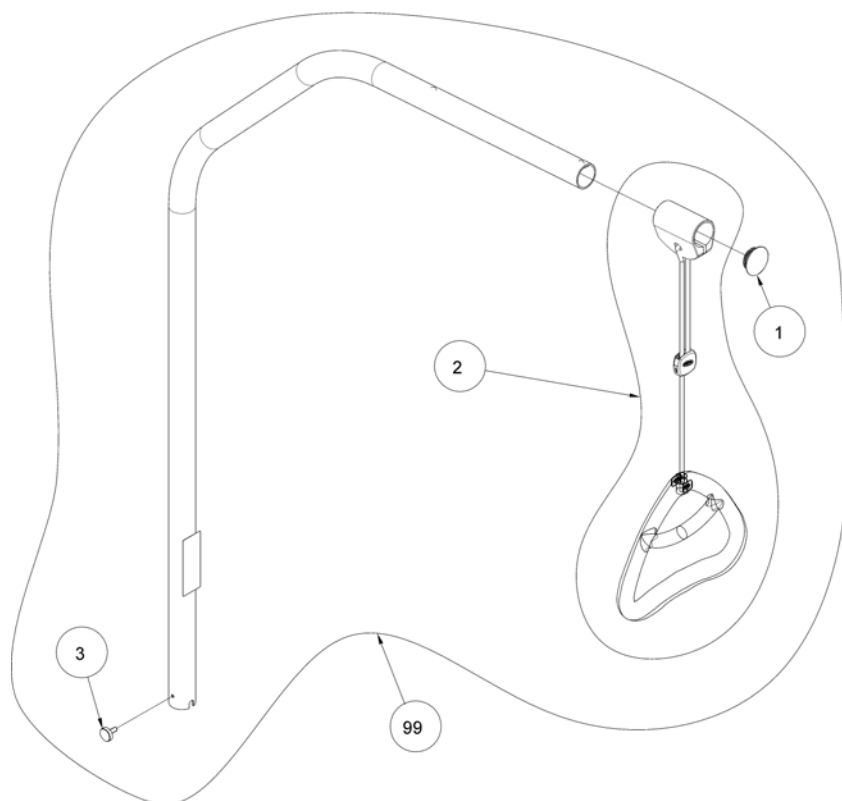


Pos.	Part number	Description	Valid from → until	Qty
1	314291-7035	Release button for steel side rail		1
2	414465	Spring Ø13,5x75xØ1,5		1
3	414965-7035	Ratchet for release button		1
4	416303	Type badge 15.9x88.9 white (silver-poly)		1
5	804386-7035	Ferrule ø8		4
6	804399-7035	End plug Ø22		2
7	806790	Spiral clamp pin ø5x20		1
8	818388-7035	Finger screw M6x35		2
9	819424-7035	Part not for sale		2
10	1415774	Label for positioning of side rail		0
11	1435100	Label for placement of hands, metal side rails		2
12	1530822	Part not for sale		0
12	1530820	Part not for sale		0
99	1530819-0154	Side Rail, Scala 2 Decubi - Right		1
99	1530818-0154	Side Rail, Scala 2 Decubi - Left		1

Scala Basic Plus 2, side rail

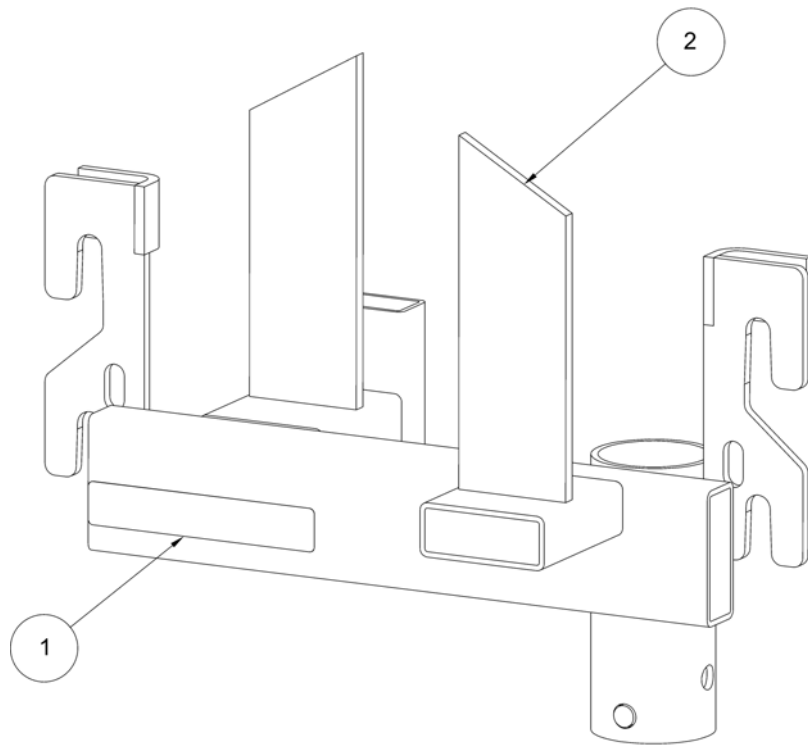
Pos.	Part number	Description	Valid from → until	Qty
1	314291-7035	Release button for steel side rail		1
2	414465	Spring Ø13,5x75xØ1,5		1
3	414965-7035	Ratchet for release button		1
4	416303	Type badge 15.9x88.9 white (silver-poly)		1
5	421468	Cylinder nut for u-bow		2
6	421843-7035	Inlay for u-brace, steel side rail		2
7	804386-7035	Ferrule ø8		4
8	804399-7035	End plug Ø22		2
9	819424-7035	Part not for sale		1
10	821251-7035	Finger screw M6x45		2
11	1415774	Label for positioning of side rail		1
12	1435100	Label for placement of hands, metal side rails		2
13	1529905	Part not for sale		0
13	1529904	Part not for sale		0
99	1529901-0154	Side Rail, Scala 2 Basic Plus - Right		1
99	1529746-0154	Side Rail, Scala 2 Basic Plus - Left		1

Lifting pole, Carebed, light



Pos.	Part number	Description	Valid from → until	Qty
1	317836	Cap for lifting pole		1
2	320597	Lifting pole handle		1
3	803979-9005	Finger screw M6 x 16 mm Ø20 (lifting pole)		1
99	1542093-0154	Lifting Pole		1

Transport adaptor



Drawing: 1549041_IL

Pos.	Part number	Description	Valid from → until	Qty
1	416303	Type badge 15.9x88.9 white (silver-poly)		1
2	1543410	Transport bracket		1



Yes, you can.®



Belgium & Luxemburg:

Invacare nv, Autobaan 22, B-8210 Loppem
Tel: (32) (0)50 83 10 10, Fax: (32) (0)50 83 10 11
belgium@invacare.com / www.invacare.be

Denmark:

Invacare A/S, Sdr. Ringvej 37, DK-2605 Brøndby
Tel: (45) (0)36 90 00 00, Fax: (45) (0)36 90 00 01
denmark@invacare.com / www.invacare.dk

Deutschland:

Invacare Aquatec GmbH, Alemannenstraße 10, D-88316 Isny
Tel: (49) (0)75 62 7 00 0, Fax: (49) (0)75 62 7 00 66
info@invacare-aquatec.com / www.invacare-aquatec.de

European Distributor Organisation:

Invacare, Kleiststraße 49, D-32457 Porta Westfalica
Tel: (49) (0)57 31 754 540, Fax: (49) (0)57 31 754 541
edo@invacare.com / www.invacare.eu.com

España:

Invacare SA, c/Areny s/n, Polígon Industrial de Celrà, E-17460 Celrà (Girona)
Tel: (34) (0)972 49 32 00, Fax: (34) (0)972 49 32 20
contactsp@invacare.com / www.invacare.es

France:

Invacare Poirier SAS, Route de St Roch, F-37230 Fondettes
Tel: (33) (0)2 47 62 64 66, Fax: (33) (0)2 47 42 12 24
contactfr@invacare.com / www.invacare.fr

Ireland:

Invacare Ireland Ltd, Unit 5 Seatown Business Campus, Seatown Road, Swords, County Dublin - Ireland
Tel: (353) 1 810 7084, Fax: (353) 1 810 7085
ireland@invacare.com / www.invacare.ie

Italia:

Invacare Mecc San s.r.l., Via dei Pini 62, I-36016 Thiene (VI)
Tel: (39) 0445 38 00 59, Fax: (39) 0445 38 00 34
italia@invacare.com / www.invacare.it

Nederland:

Invacare BV, Celsiusstraat 46, NL-6716 BZ Ede
Tel: (31) (0)318 695 757, Fax: (31) (0)318 695 758
nederland@invacare.com, csede@invacare.com / www.invacare.nl

Norge:

Invacare AS, Grensesvingen 9, Postboks 6230, Etterstad, N-0603 Oslo
Tel: (47) (0)22 57 95 00, Fax: (47) (0)22 57 95 01
norway@invacare.com, island@invacare.com / www.invacare.no

Österreich:

Invacare Austria GmbH, Herzog Odilostrasse 101, A-5310 Mondsee
Tel: (43) 6232 5535 0, Fax: (43) 6232 5535 4
info-austria@invacare.com / www.invacare.at

Portugal:

Invacare Lda, Rua Estrada Velha, 949, P-4465-784 Leça do Balio
Tel: (351) (0)225 1059 46/47, Fax: (351) (0)225 1057 39
portugal@invacare.com / www.invacare.pt

Sverige & Suomi:

Invacare AB, Fagerstagatan 9, S-163 91 Spånå
Tel: (46) (0)8 761 70 90, Fax: (46) (0)8 761 81 08
sweden@invacare.com, finland@invacare.com / www.invacare.se

Switzerland:

Invacare AG, Benkenstrasse 260, CH-4108 Witterswil
Tel: (41) (0)61 487 70 80, Fax: (41) (0)61 487 70 81
switzerland@invacare.com / www.invacare.ch

United Kingdom:

Invacare Limited, Pencoed Technology Park, Pencoed, Bridgend CF35 5AQ
Switchboard Tel: (44) (0)1656 776200, Fax: (44) (0)1656 776201
Customer services Tel: (44) (0)1656 776222, Fax: (44) (0)1656 776220
uk@invacare.com / www.invacare.co.uk