

Invacare® | *Etude*® Duo



One Bed – Multiple Solutions

The *Invacare Etude Duo* is unique. Its enhanced flexibility combines perfectly with *Etude*'s reputable, robust bed construction. This model boasts a newly developed modular system. Simple upgrades now afford complete compatibility between, for instance, the basic metal and the fully-motorized wooden versions. And the new soft line design has transformed the *Etude* Bed into a stylish piece of furniture without compromising on safety, stability and longevity.



Yes, you can.®



Flexible Design & Durable Solutions

Invacare **Etude Duo** is the perfect modular solution for homecare. For greater functionality, the 3-sectioned metal version can be fully upgraded to a 4-sectioned bed simply by adding a motor and a hand control unit. Similarly, you can give your **Etude Duo** a full make-over. Transform the **Etude Duo** from a metal to wooden bed using only the wooden kit. With the **Etude Duo** you get the best of both worlds; new design features such as softly rounded corners along with **Etude Duo's** better known, robust build and range compatible motor system.

Safety Beyond the Call of Duty

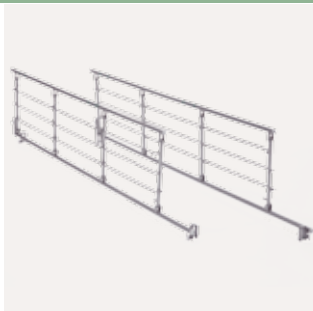
The **Etude Duo** is synonymous with Homecare bed safety going well beyond the requirements laid down by the European Standard for Nursing Beds and TÜV. Electrical safety is maximized by additional cable hooks which ensure the safe placement of motor cables. Also, the **Etude Duo's** lab testing program operates with loads 4 times the recommended safe working load capacity. True to the Invacare tradition, quality and durability are guaranteed.

Dual heights and easy transfer

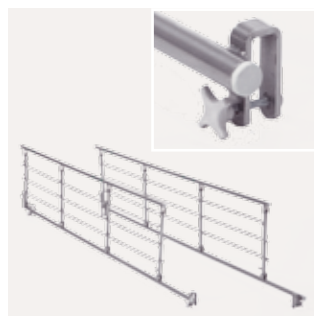
The standard, built-in, double-brackets are designed to suit individual needs for transfers in different positions. Mattress support in the upper bracket allows an entrance height of 40cm, and in the lower brackets an entrance height of 33cm.

Easy assembly, portability and economical storage are intrinsic values of the *Invacare Etude Bed* range. Assembly couldn't be simpler. Attaching the mattress support to the bed ends is quick and tool-free.

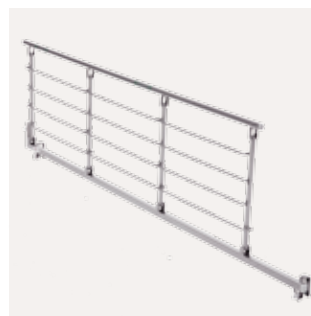
Features and Options



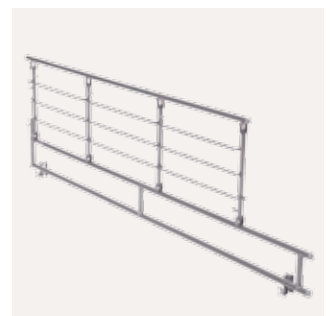
Invacare Scala Basic 2
Collapsible steel side rail. Compliant with the new standard for beds IEC 60601-2-52.



Invacare Scala Basic Plus 2
Collapsible steel side rail with plastic inserts at the mounting brackets. Compliant with the new standard for beds IEC 60601-2-52.



Invacare Scala Medium 2
Collapsible steel side rail for higher mattresses. Compliant with the new standard for beds IEC 60601-2-52.



Invacare Scala Decubi 2
Collapsible steel side rail for extra high mattresses. Compliant with the new standard for beds IEC 60601-2-52.

Features and Options



Etude Duo configured with wood side rails and motor cover.



Scala Mona Wooden siderails

Upper and lower "release button" positioned on bedends for easy handling of siderails. Mattress heights up to 17,5 cm.



Wooden upgradekit

Change the bed from steel version til wood version.



Bedend without motor cover

For a low cost solution the bed is available without the motor cover.



Transport unit

For easy storage and enhanced portability. Can be used for both steel and wood version.



Hand control

The colours makes it easy to benefit from all the positioning options.



Support handles

Available in 5 different sizes. Make getting in and out of bed much easier for the patient.



Lifting pole

Catching handle can be adjusted in both height and depth.



Individuality & Customisation

Mattress support extension facilitates optimal length adjustment to suit every possible requirement. Choose between 10 cm to 20 cm extension.



Unique low position of Scala Mona Wooden side rails

A low position just 3 cm above Mattress Support level ensures minimum squeezing for the user when leaving or entering the bed.



Well-fitted Cable Network

Cables are designed to be hug on the bed frame. As a result, there a no loose cables or risk for cables to get tangled or trapped under the bed.



Built-In low version with Double Brackets

Easy and quick attachment of Mattress Support to bedends in either 40-80 cm or 33-73 cm adjustment height.

Technical data

Etude Duo	Inner dimension: 90 cm Outer dimension: - steel: 94 cm - wood: 102 cm	Length outside: 231 cm Length inside: 210 cm Mattress: 200 cm	High-Low, steel and wood: 40-80 cm High-Low, steel: 33 – 73 cm	Mattress support dimensions: 3-sectioned: 85-24-91 cm 4-sectioned: 85-24-35-56 cm	0 - 70° Backrest angle

Etude Duo	0 - 22° Thigh angle	0 - 18° Legrest lift	11° Tilt option*	Steel: 3-Sec. / 4-Sec. 92 / 97 kg Wood: 3-Sec. / 4-Sec. 98 / 103 kg	SWL 180 kg Max. user weight 145 kg

* Please notice that the tilt function is only practised for users under medical supervision.

NB/ The bed must not be used by patients under 12 years of age, or by patients with body size equivalent to an average 12 year old or smaller.

Please see *Invacare Bed Accessories* brochure for more accessories.

Frame colour and wood work



Silver

Beech

Products, Options and Features can be subject to change.

Invacare International Sarl
Route de Cité-Ouest 2 - 1196 Gland
Switzerland
Tel: +41 (0)22 354 60 10
Fax: +41 (0)22 354 60 11
hqeurope@invacare.com
www.invacare.eu.com

© 2010 Invacare® International Sarl
All rights reserved.

All information quoted is believed to be correct at time of print. Invacare® reserves the right to alter product specifications without prior consultation.

Etude Duo - EU - 08/2010



Yes, you can.®