

**GB** The intuitive attendant controller takes over the entire control of the e-fix and may only be used by the person accompanying the wheelchair user. Under no circumstances should the wheelchair user operate the attendant controller by himself or herself. Installation of the individual components is to be done either by Alber or a specialist dealer.

### 1. Connecting the attendant controller to the Optibox

- Switch off the controller of the wheelchair user (see section of the e-fix instructions for use).
- Align the red marking [4] on the plug [1] of the controller against the red marking [3] on the socket [2] of the Optibox.
- Push the plug [1] of the controller into the socket [2] of the Optibox while maintaining this alignment.
- The attendant controller is now connected with the e-fix.

### 2. Initial start-up of the attendant controller

- Switch the controller of the wheelchair user on again and wait until the system check has been completed (see section 4.4.1 of the e-fix instructions for use).
- Press the button [7] at the attendant controller. This switches on the system and the following operating displays appear:
  - In the display of the controller of the wheelchair user: Battery symbol (display of the capacity of the rechargeable battery), underneath it are the letters "SH (= pushing aid).
  - In the display [6] of the controller of the attendant controller: Battery symbol (display of the capacity of the rechargeable battery), to the left and right of it is the currently set direction of travel (arrow symbol).

You can find information on the state of charge of the battery pack in section 4.4.2 of the e-fix instructions for use.

### 3. Travelling operation

- Determine the desired direction of travel by pressing the button [8]. The direction of travel changes with each press and is shown in the display.
- Use the adjusting wheel [5] to set the maximum speed that you desire.
- Pull the control lever towards yourself [9] travelling begins.

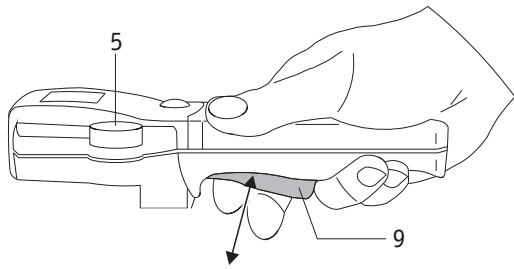
### Showing the direction of travel in the display



Direction of travel forwards



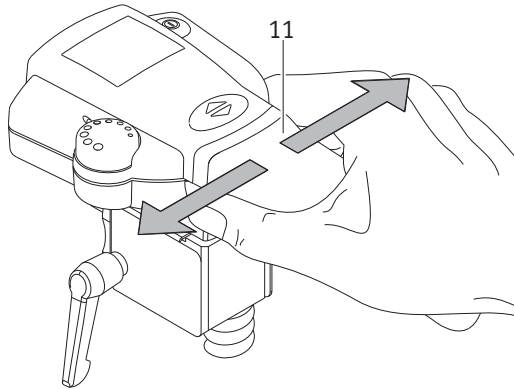
Direction of travel backwards



#### GB 4. Information on travelling operation

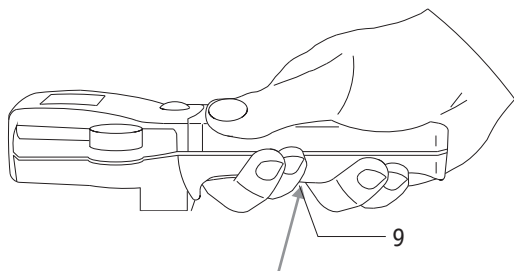
The control lever [9] is comparable to the gas pedal of a car. The e-fix is motionless in the initial position. Travelling operation starts by pulling the control lever [9] towards yourself, with the speed increasing as you pull the control lever harder. The maximum speed that can be reached is set by the adjusting wheel [5] and is a maximum of 5.5 km/h for reasons of safety.

If this speed is still too high for you, your specialist dealer can reprogram in the controller of the e-fix the maximum speed that can be reached.



The electronics in the handle [11] register the movements made by the hand of the attendant holding the control lever. Light pressure of the control lever to the left or right is changed into a travelling command for the e-fix wheels so that you can travel around corners without any great exertion.

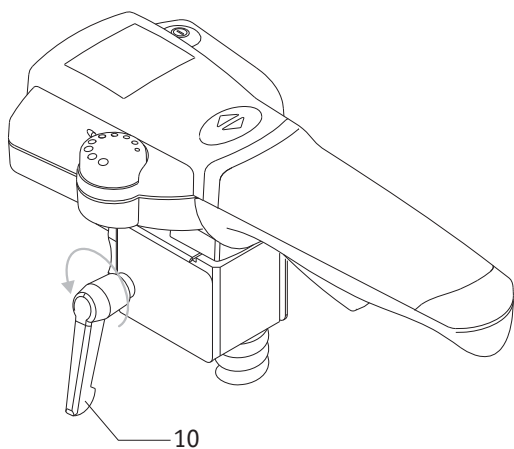
It is not allowed to lift or jack up the wheelchair over the intuitive attendant control or the additional hand lever. The restriction of the wheelchair manufacturer to lift or jack up the wheelchair has to be followed.



#### 5. Information on the panic stop

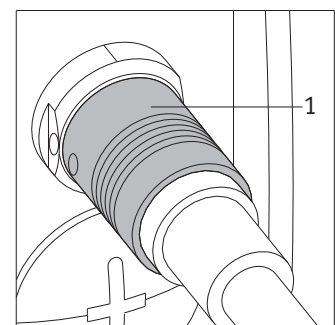
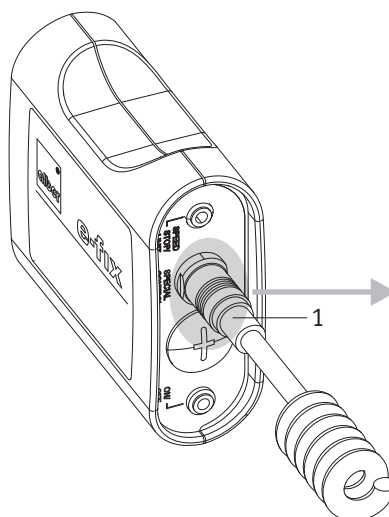
If it is necessary to stop the e-fix at once in hazardous situations, just pull the control lever [9] firmly beyond the detent that can be clearly felt. This immediately switches off the e-fix and an acoustic warning signal is given in addition.

After you release the control lever [9] you can immediately continue travelling with the e-fix.



#### 6. Removing the attendant controller from the wheelchair

- Switch off the e-fix and dismantle the individual parts according to the details given in the e-fix instructions for use.
- Pull the plug [1] of the controller out of the Optibox while holding its metal holder (**not the cable!**).
- Undo the fixing lever [10] (turn it several times!) and pull the controller out of the holder on the wheelchair.





## Warnhinweis

Ein leichter seitlicher Druck auf den Griff der Intuitiven Begleitsteuerung genügt um ein seitliches Auslenken des Rollstuhls zu bewirken. Ebenso genügt eine leichte Berührung des Fahrhebels, um diesen zu aktivieren.

Schalten Sie daher die Intuitive Begleitsteuerung immer ab, wenn diese nicht benötigt wird. Sie verhindern dadurch eine unbeabsichtigte Bewegung des Rollstuhls.

Hängen Sie weder im Fahrbetrieb, noch im Stillstand Gegenstände wie beispielsweise Taschen, Tüten oder anderes an den Griff oder die Aufnahme der Intuitiven Begleitsteuerung. Derartige Gegenstände können zur Aktivierung des Fahrhebels bzw. der Sensoren und damit zu einer unbeabsichtigten Bewegung des Rollstuhls führen.



▲ WARNING

## Warning

Slight pressure applied to the right or left of the handle of the intuitive attendant control results in the wheelchair moving to the right or left respectively. Equally, it is sufficient to lightly touch the control lever to set the wheelchair into motion.

Therefore always switch off the intuitive attendant control, if it is not in use. This ensures that the wheelchair does not begin to move inadvertently.

Never hang any objects such as handbags, shopping bags, etc. on the handle or the holder of the intuitive attendant control, whether the wheelchair is in driving mode or not. Such objects might activate the control lever or trigger the sensors so that the wheelchair is inadvertently set into motion.



## Avertissement

Une légère pression latérale sur la poignée de la commande d'accompagnement intuitive suffit à diriger à droite ou à gauche le fauteuil roulant. De même, un mouvement d'avancement est activé en touchant légèrement le levier d'avance.

Par conséquent, désactivez toujours la commande d'accompagnement intuitive lorsque vous n'en avez pas besoin. Ceci vous permet d'éviter un mouvement non intentionnel du fauteuil roulant.

Que ce soit durant un déplacement ou à l'arrêt, n'accrochez aucun objet, comme par exemple des sacs, à la poignée ou au logement de la commande d'accompagnement intuitive. De tels objets peuvent provoquer l'activation du levier d'avance ou les capteurs et par conséquent un mouvement non intentionnel du fauteuil roulant.



## Varningar

Ett lätt tryck från sidan mot den intuitiva vårdarstyrningens handtag räcker för att svänga om rullstolen i sidled. En lätt beröring av körspaken räcker också för att utlösa en körrörelse.

Därför måste den intuitiva vårdarstyrningen alltid stängas av, när den inte behövs. Därmed förhindrar man, att rullstolen kommer i rörelse av misstag.

Häng aldrig upp föremål som till exempel väskor, påsar eller annat på den intuitiva vårdarstyrningens handtag, varken under körning eller när apparaten står stilla. Sådana föremål kan aktivera körspaken resp sensorer, så att rullstolen av misstag kommer i rörelse.