



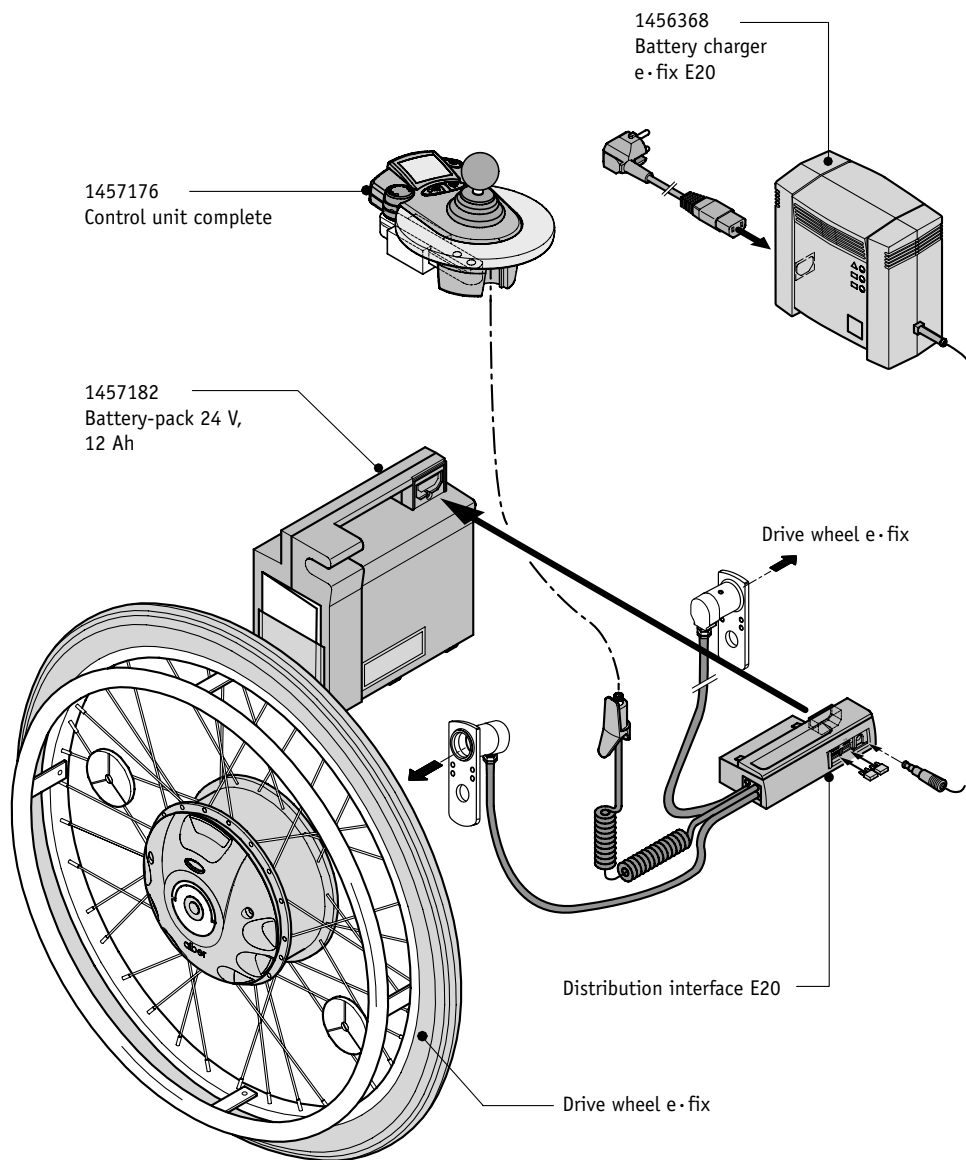
Spare parts e•fix

| | |
|-----|------|
| E20 | 4-17 |
|-----|------|

| | |
|-----|-------|
| E15 | 18-28 |
|-----|-------|

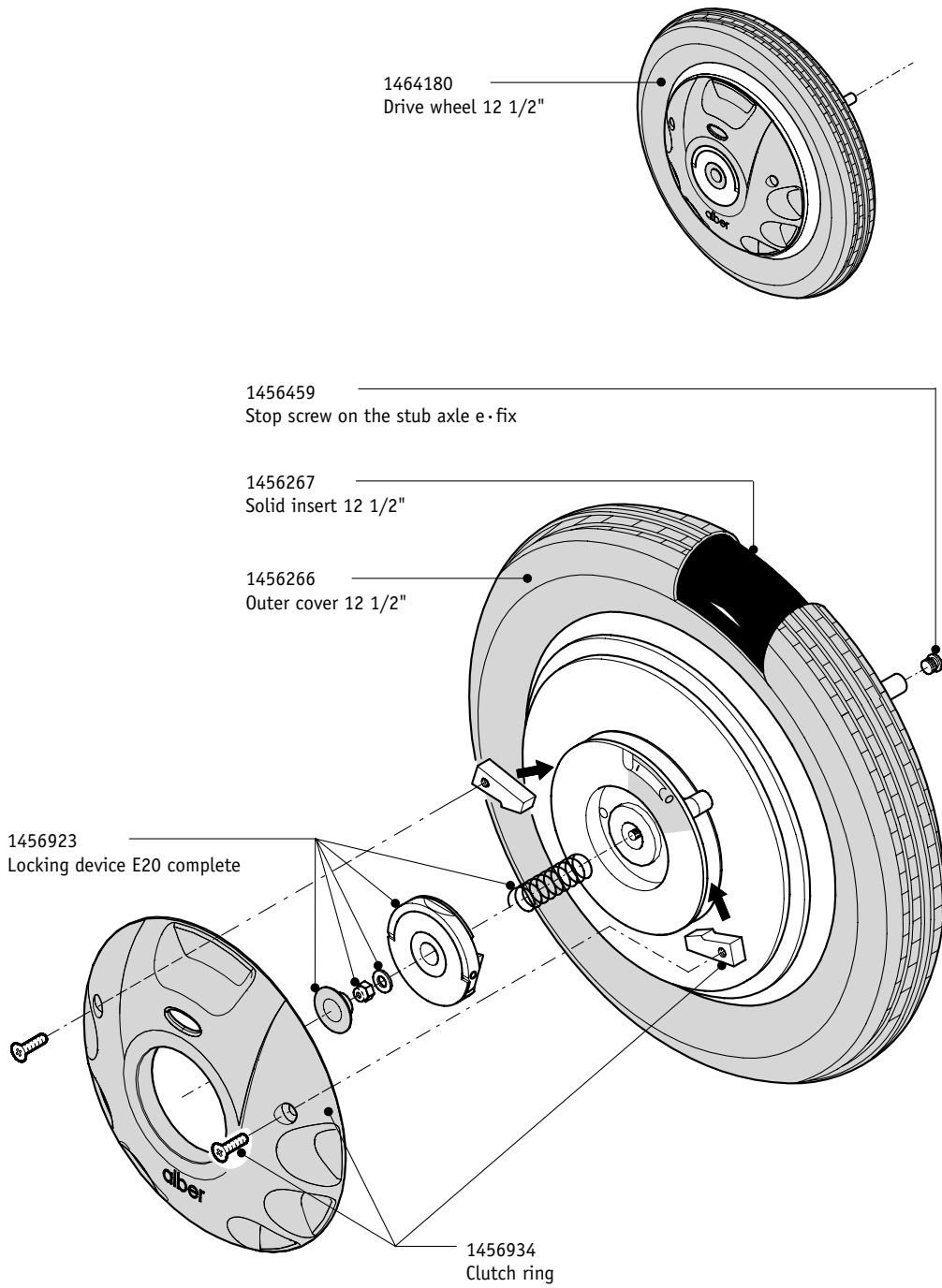


Components



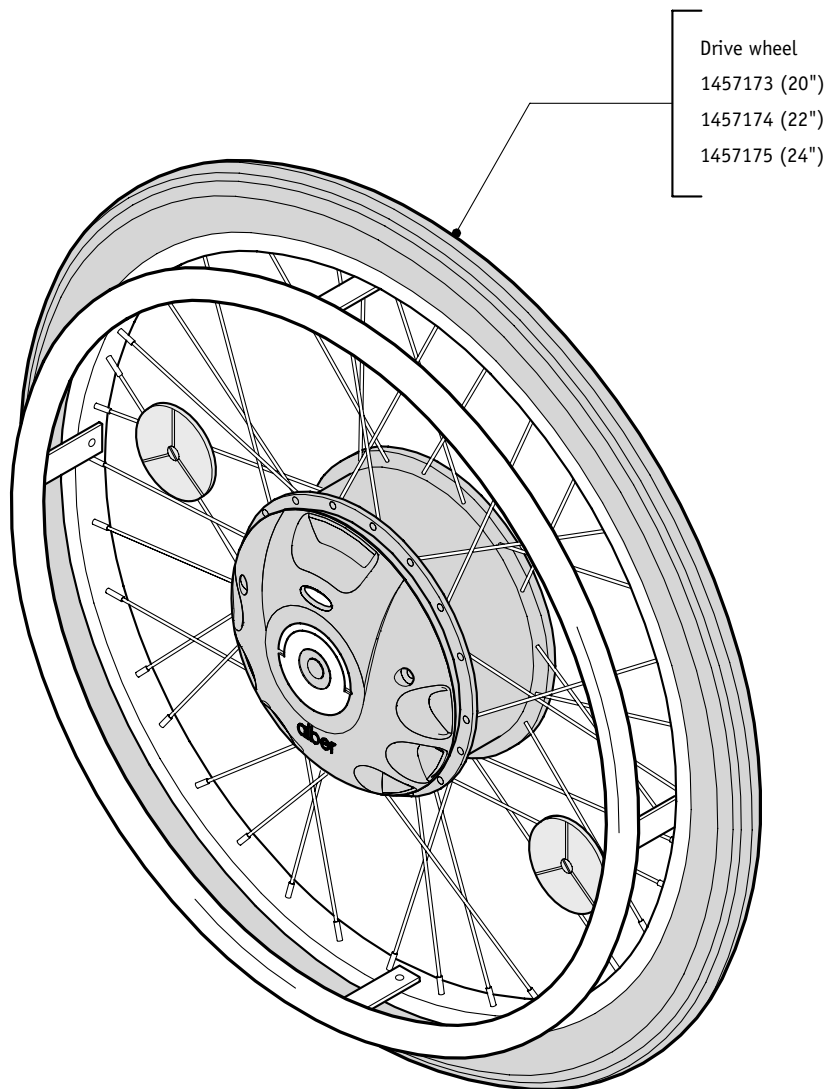


Drive wheel 12 1/2"



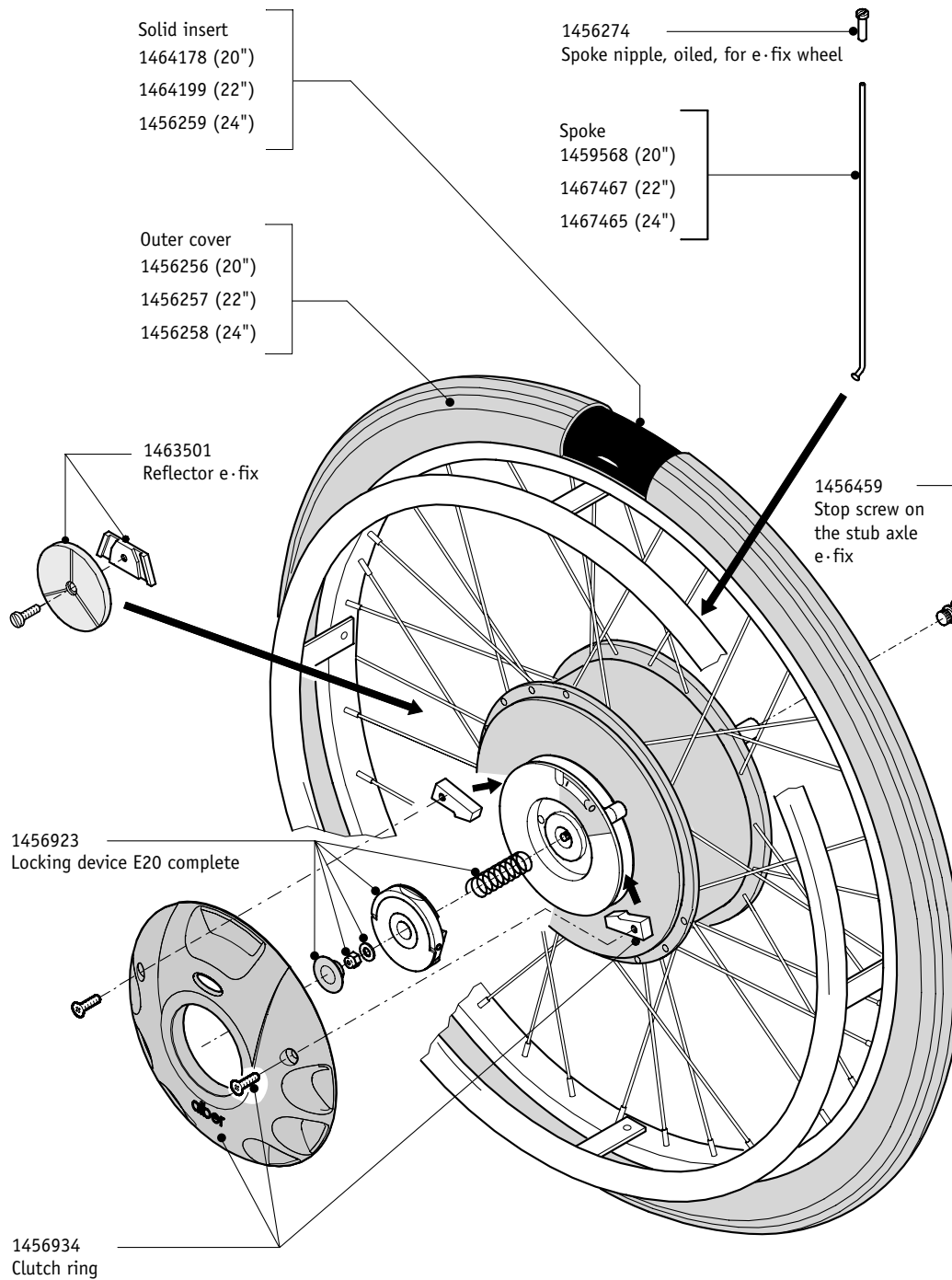


Drive wheel



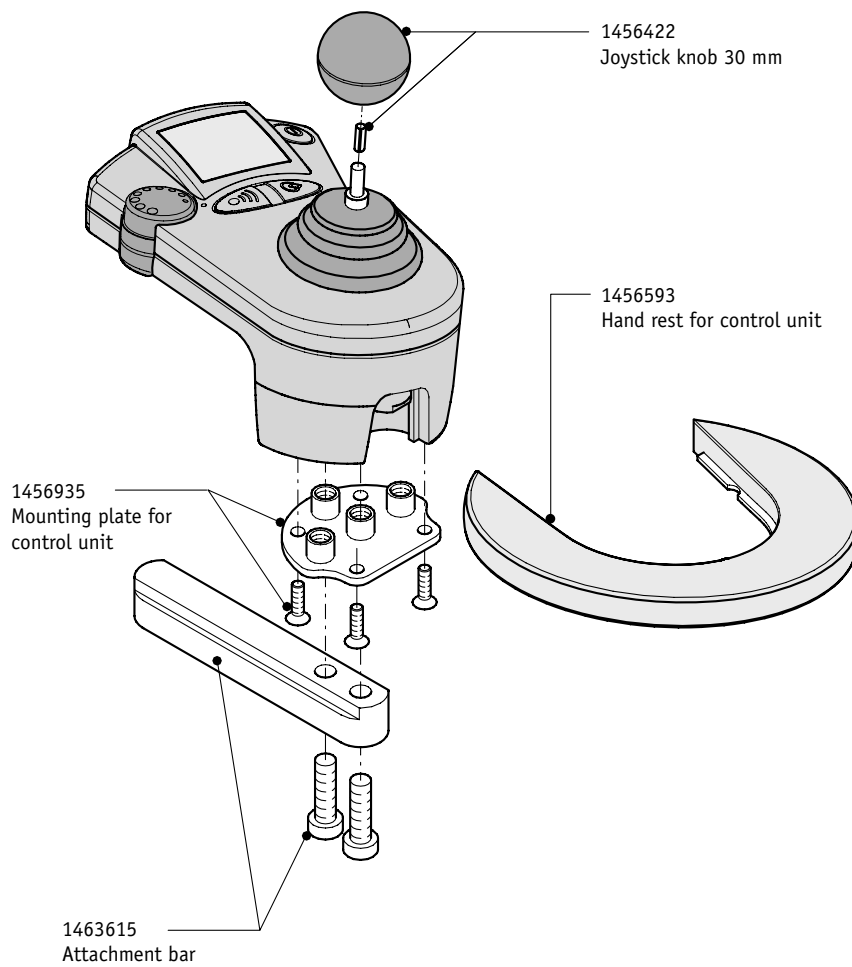
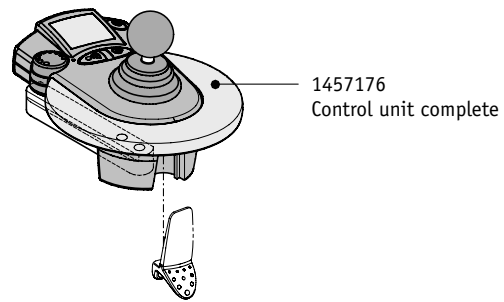


Drive wheel – individual parts



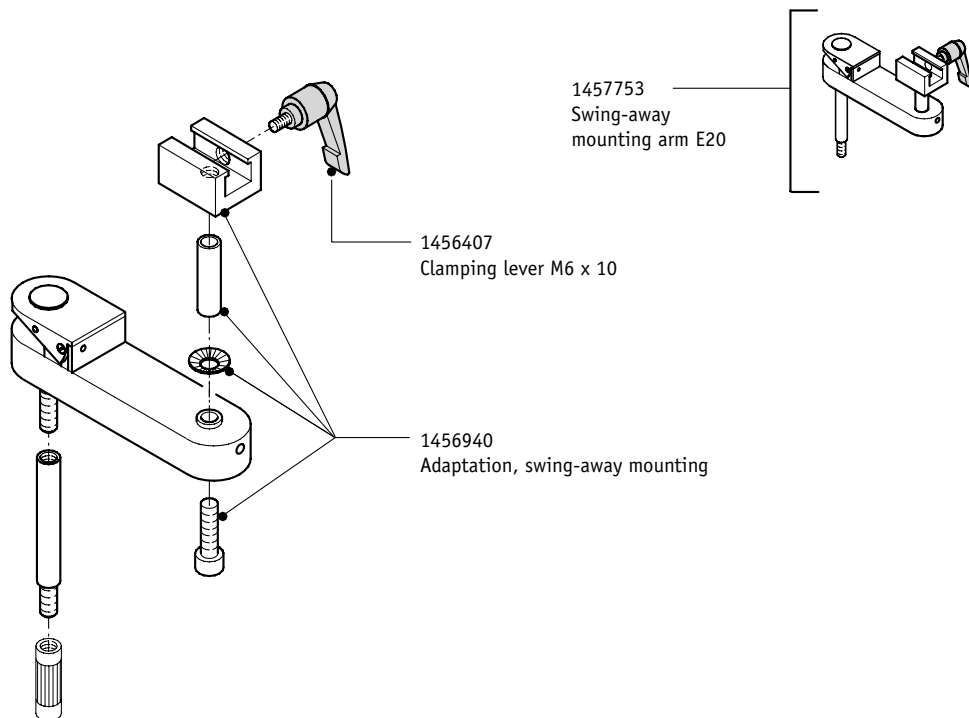
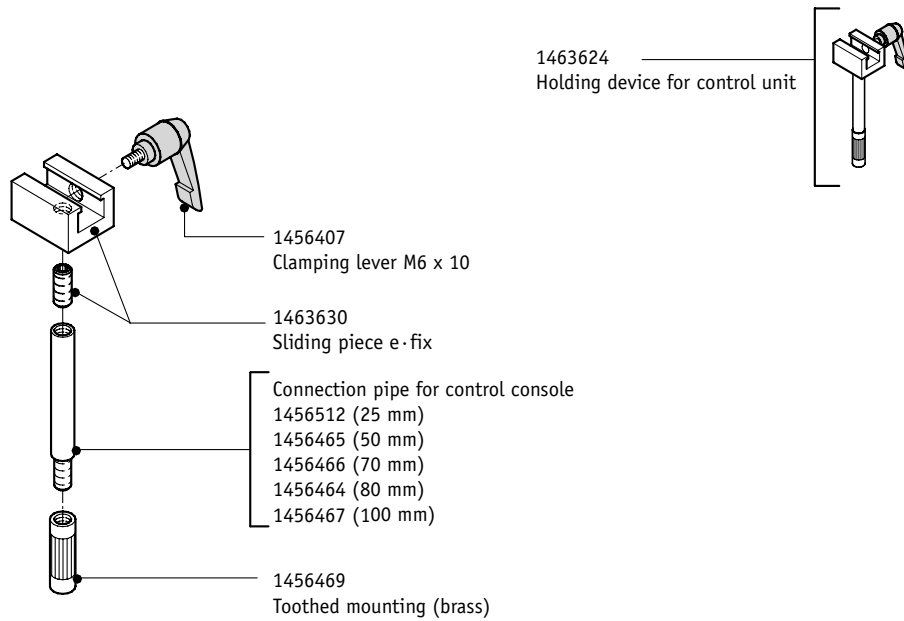


Control unit





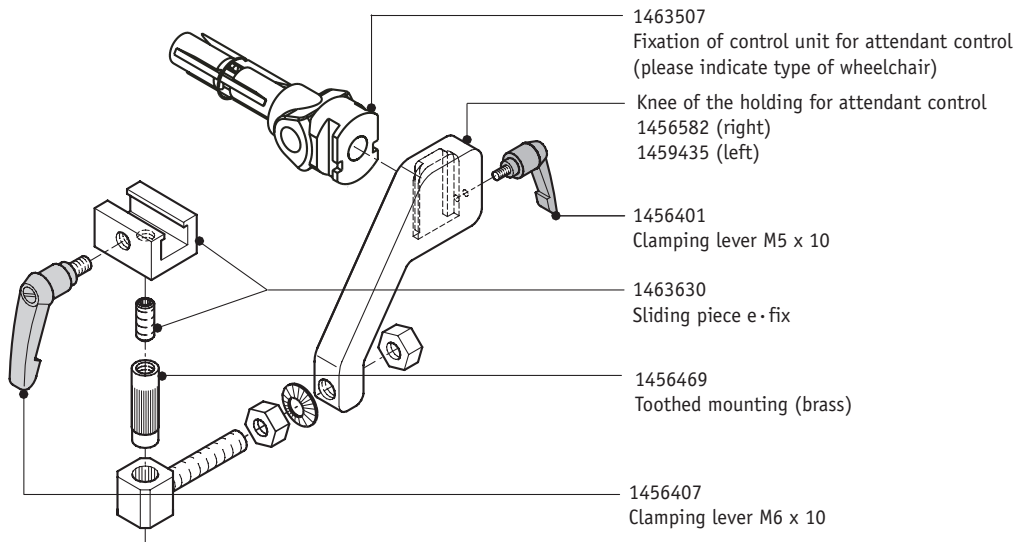
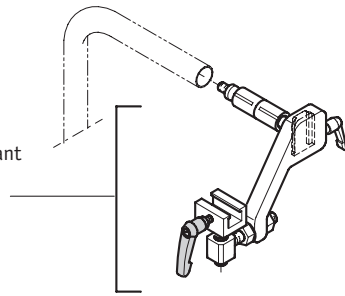
Accessoires for control unit



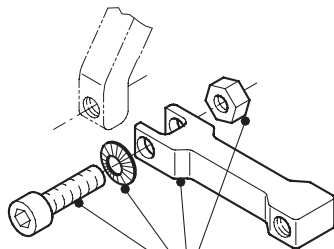
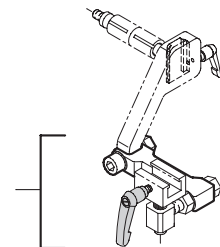


Accessories for attendant control

Mounting for attendant control E20
1457754 (right)
1457755 (left)



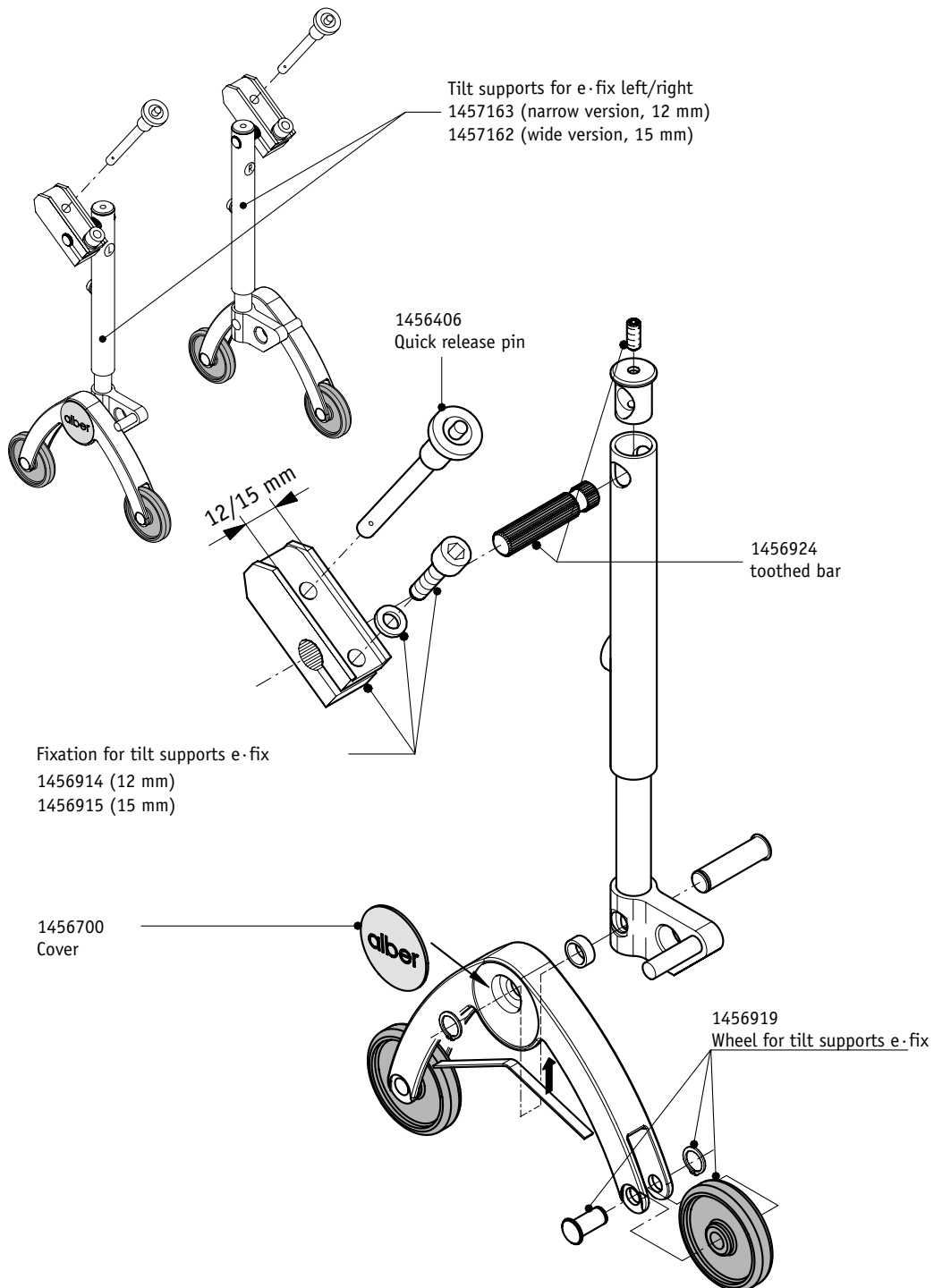
Extension piece
for attendant
control



1463506
Extension for attendant control

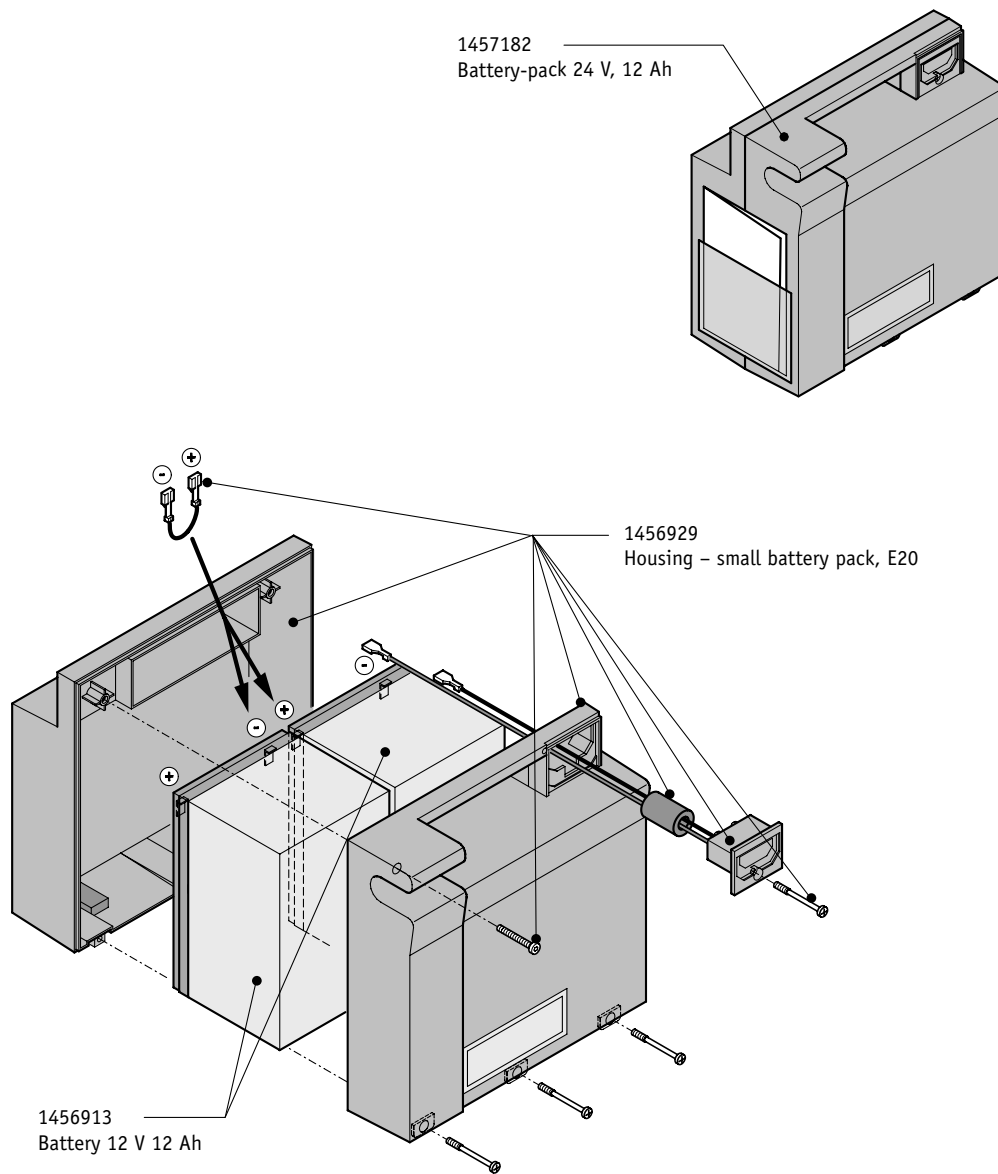


Tilt supports



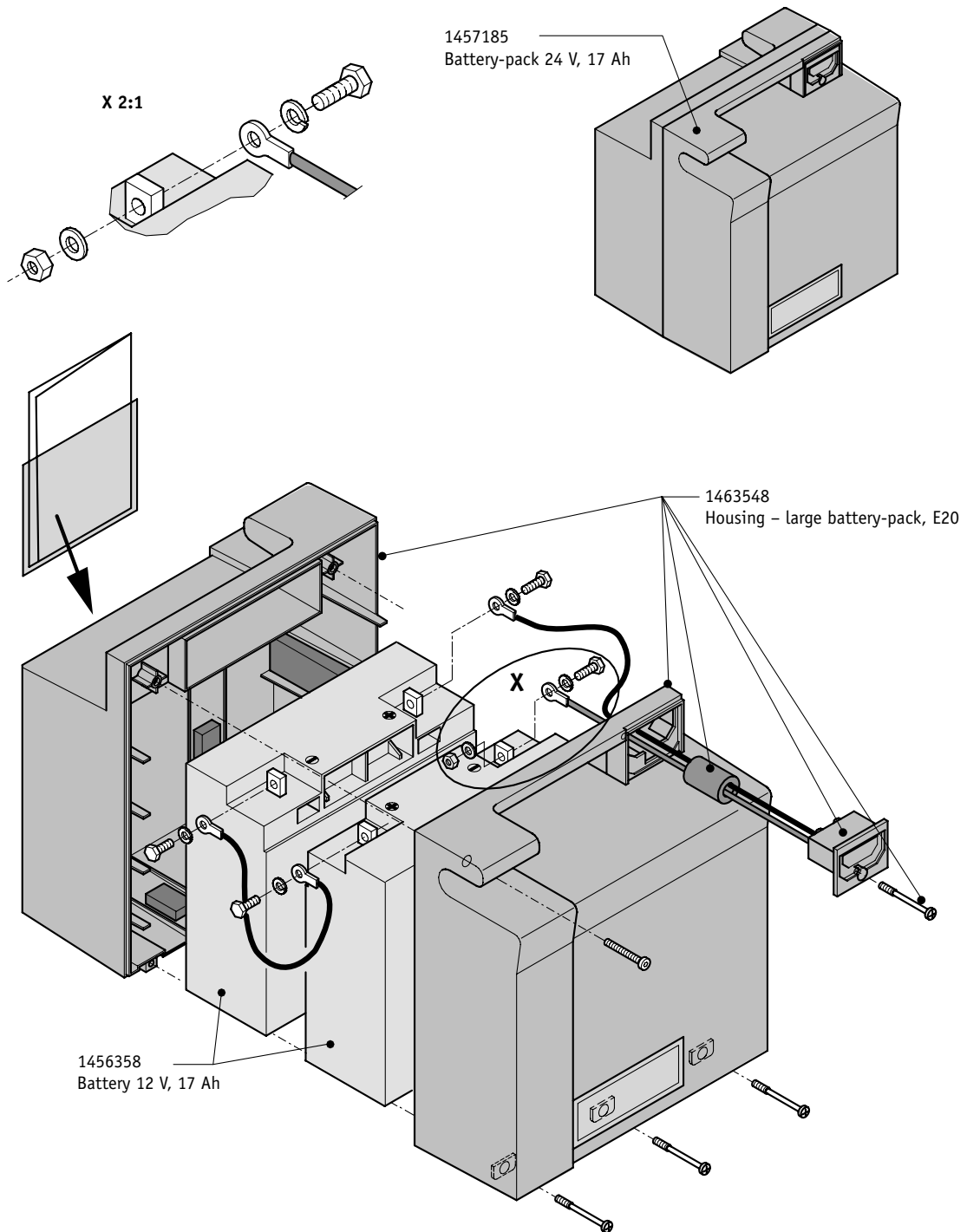


Battery-pack 24 V, 12 Ah





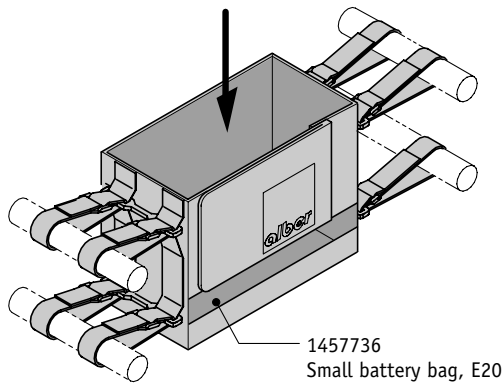
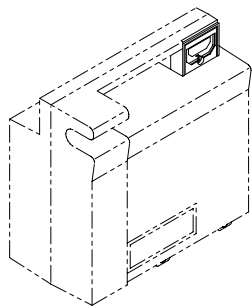
Battery-pack 24 V, 17 Ah





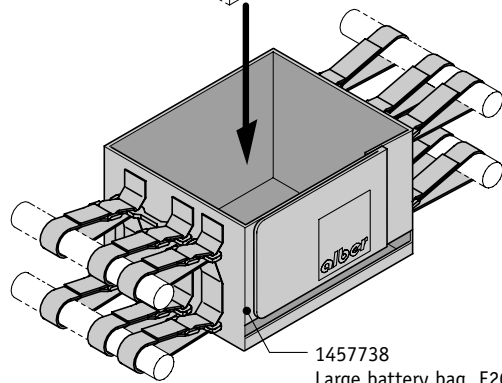
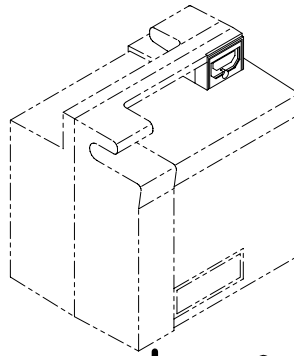
Battery pack bag, small and large

Battery-pack 24 V, 12 Ah



1457736
Small battery bag, E20

Battery-pack 24 V, 17 Ah



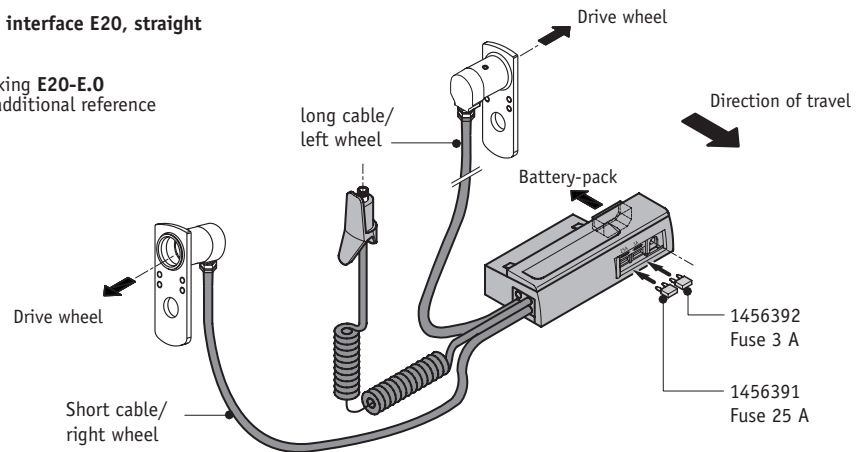
1457738
Large battery bag, E20



Distribution interface unit

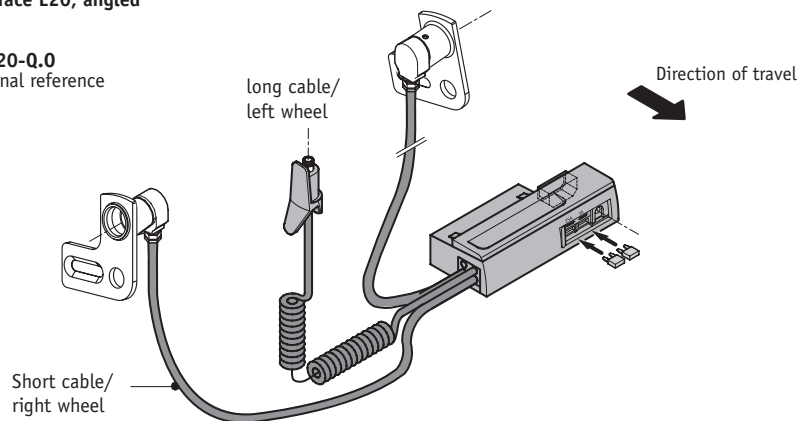
Distribution interface E20, straight 1457179

Barcode marking **E20-E.0**
please give additional reference
(see sticker)



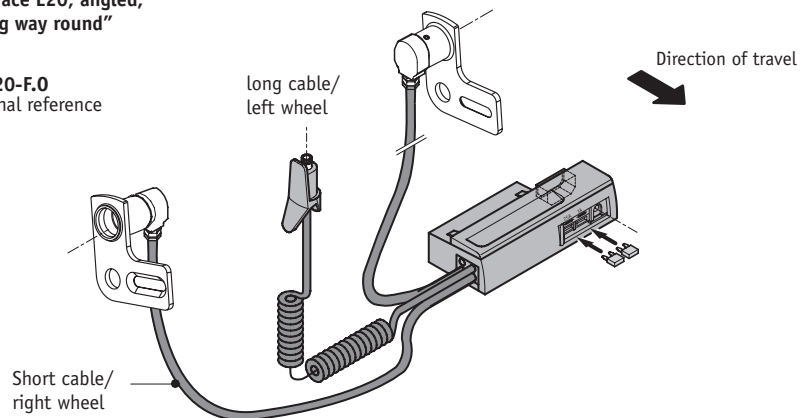
Distribution interface E20, angled 1457186

Barcode marking **E20-Q.0**
please give additional reference
(see sticker)



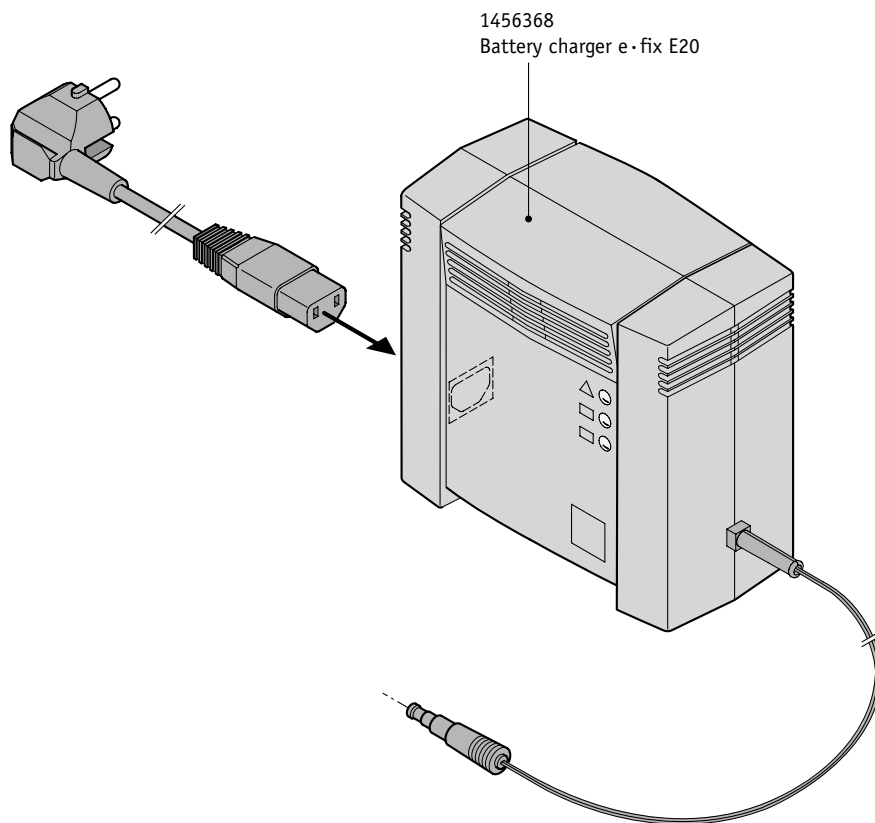
Distribution interface E20, angled, metal plate "wrong way round" 1457181

Barcode marking **E20-F.0**
please give additional reference
(see sticker)



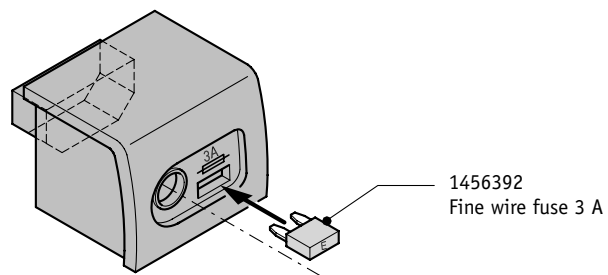
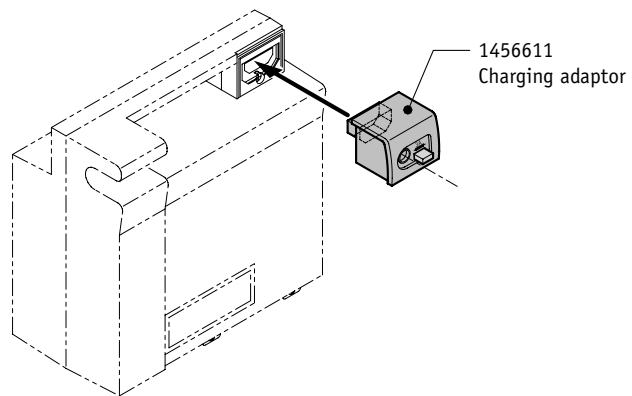


Battery charger



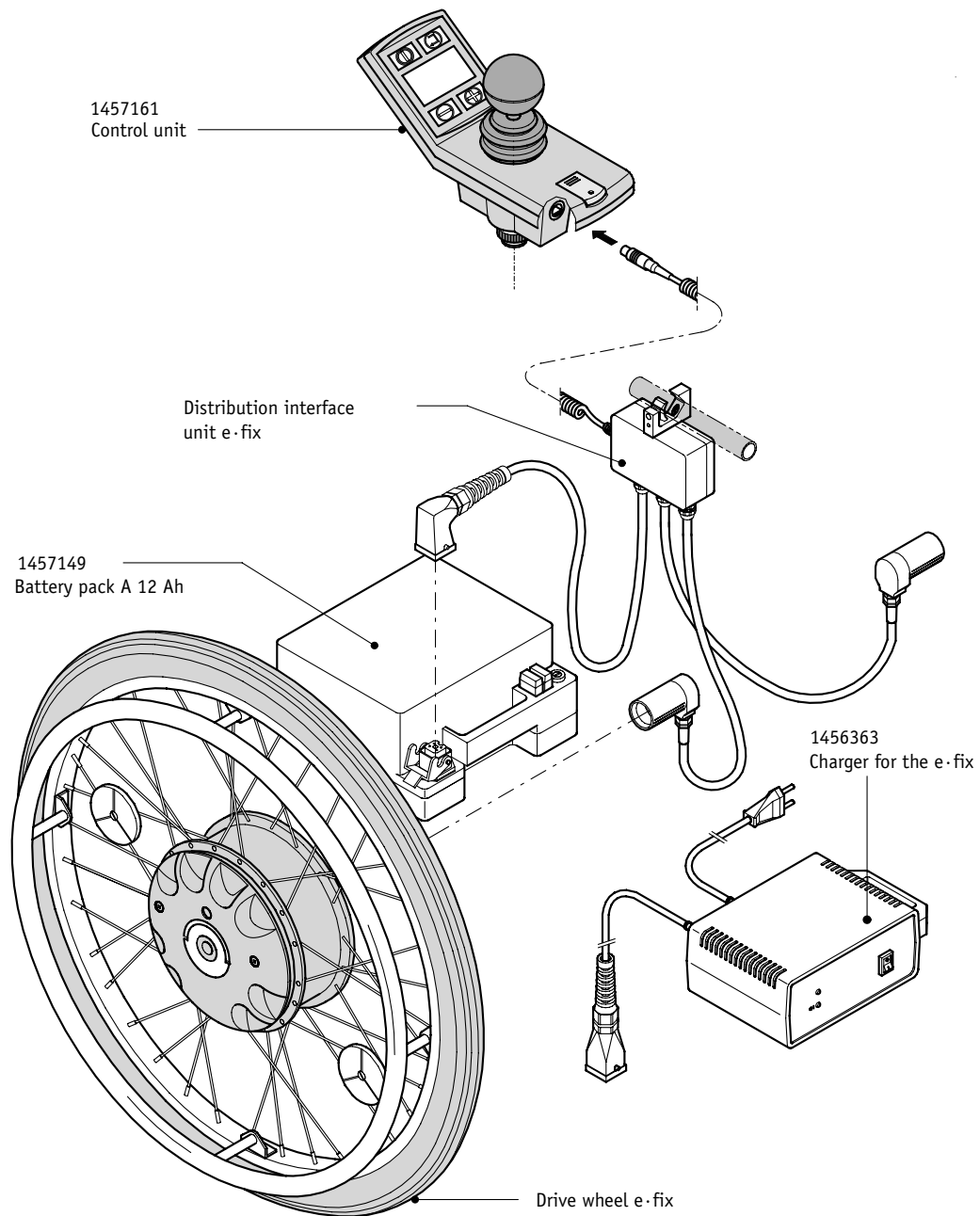


Charging adaptor



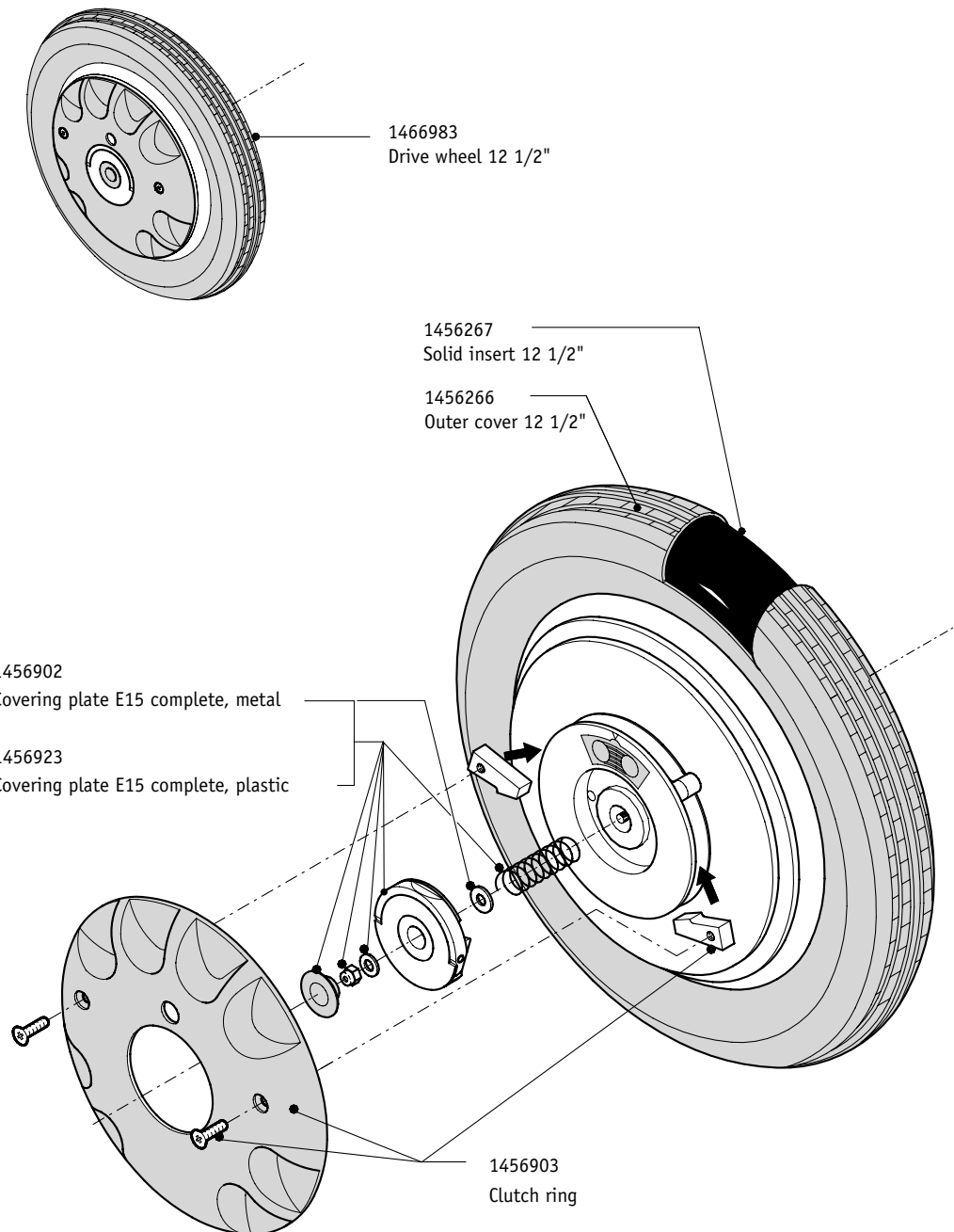


Components



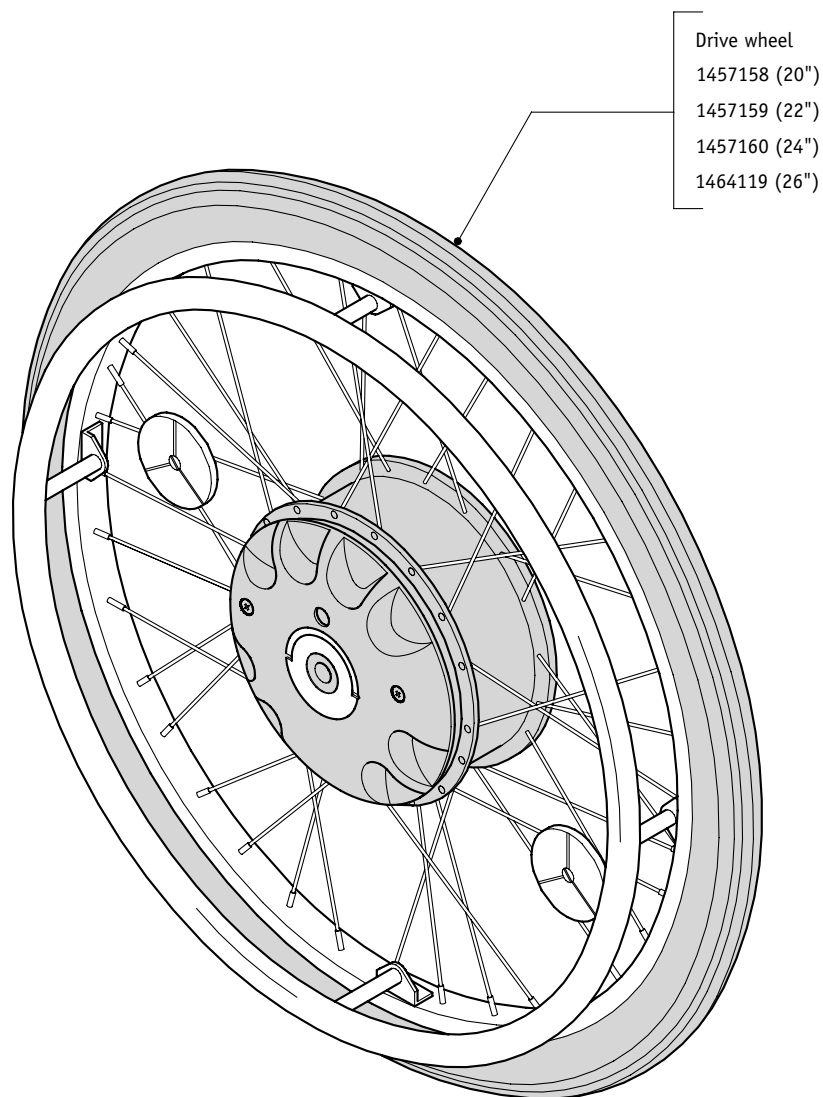


Drive wheel 12 1/2"



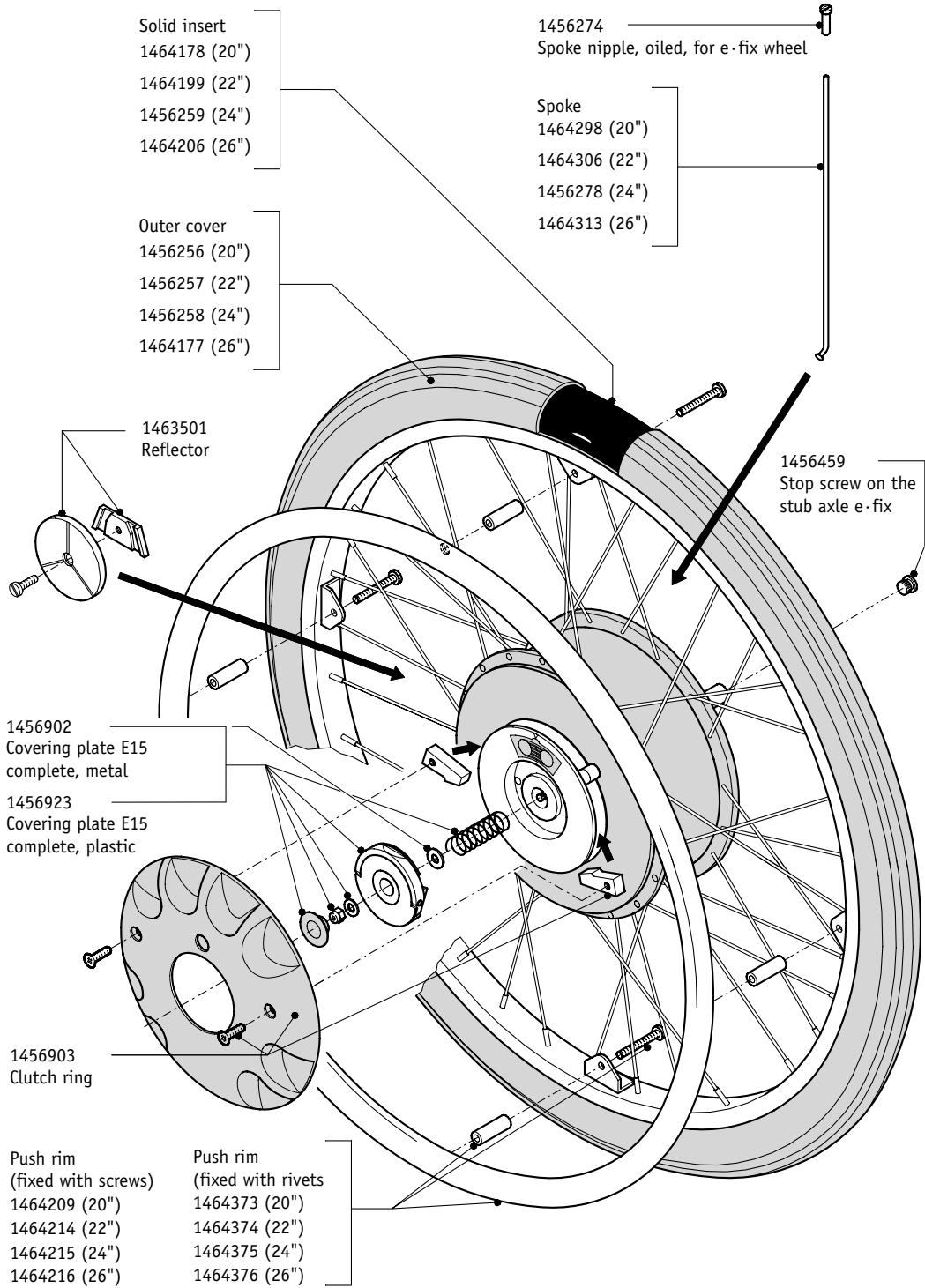


Drive wheel



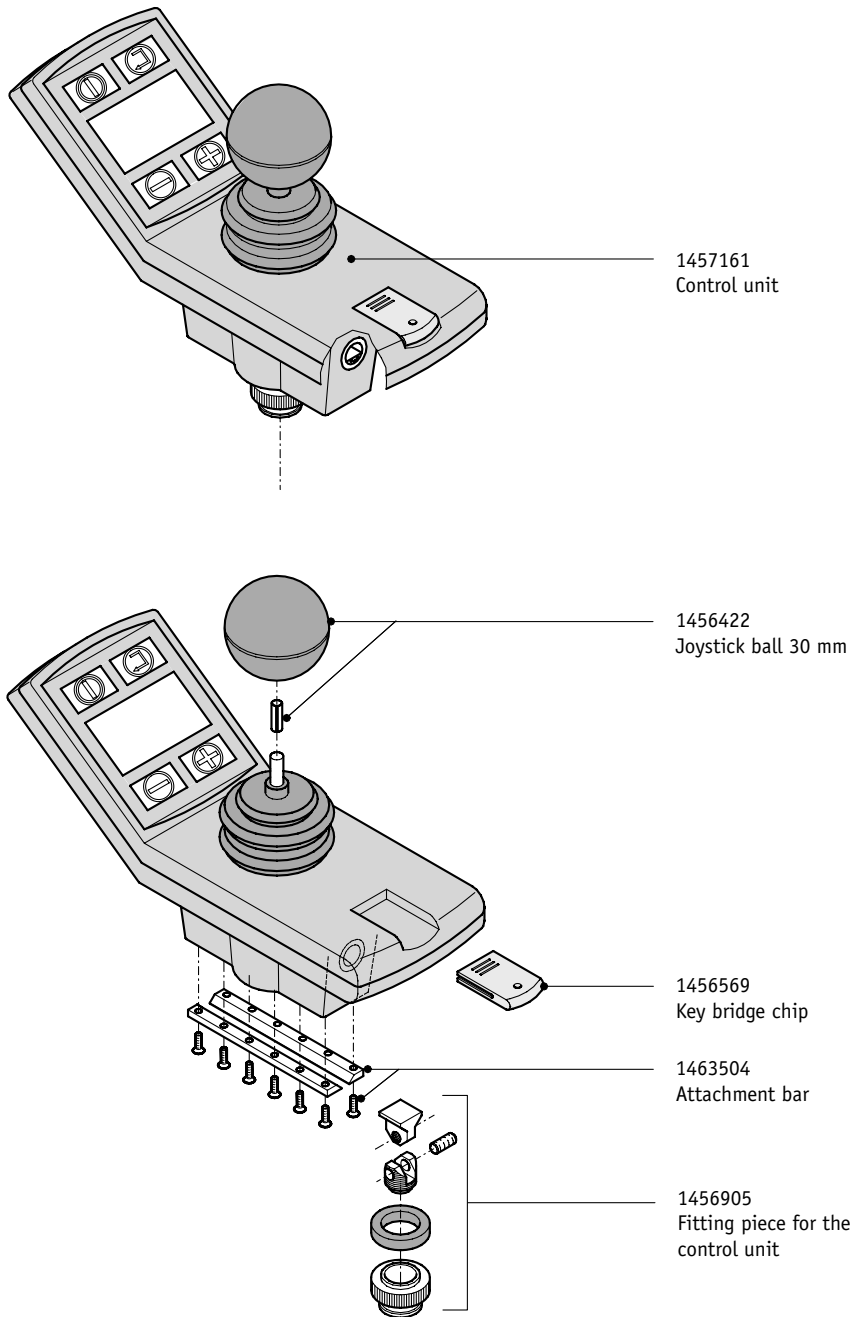


Drive wheel – separate parts



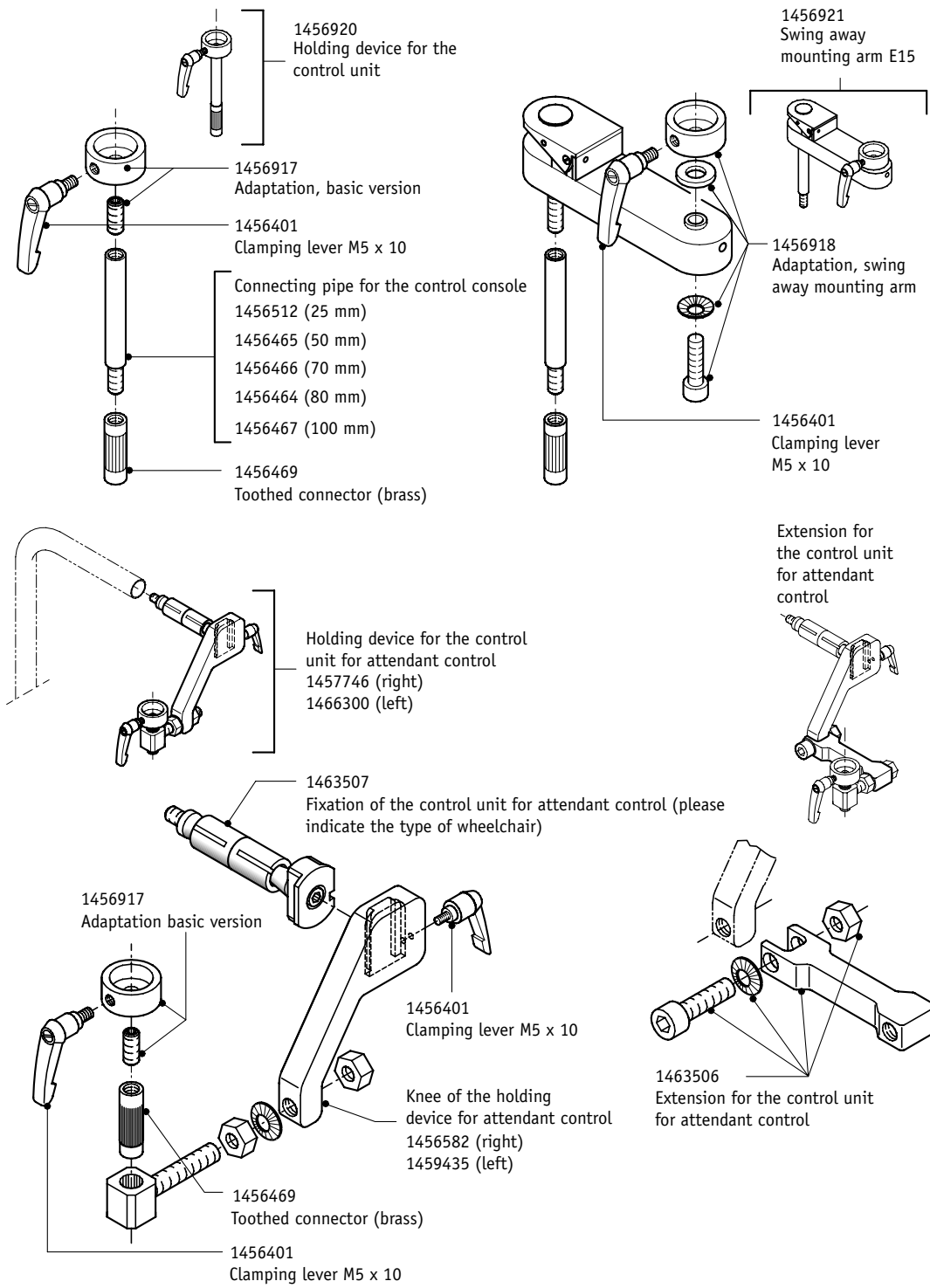


Control unit



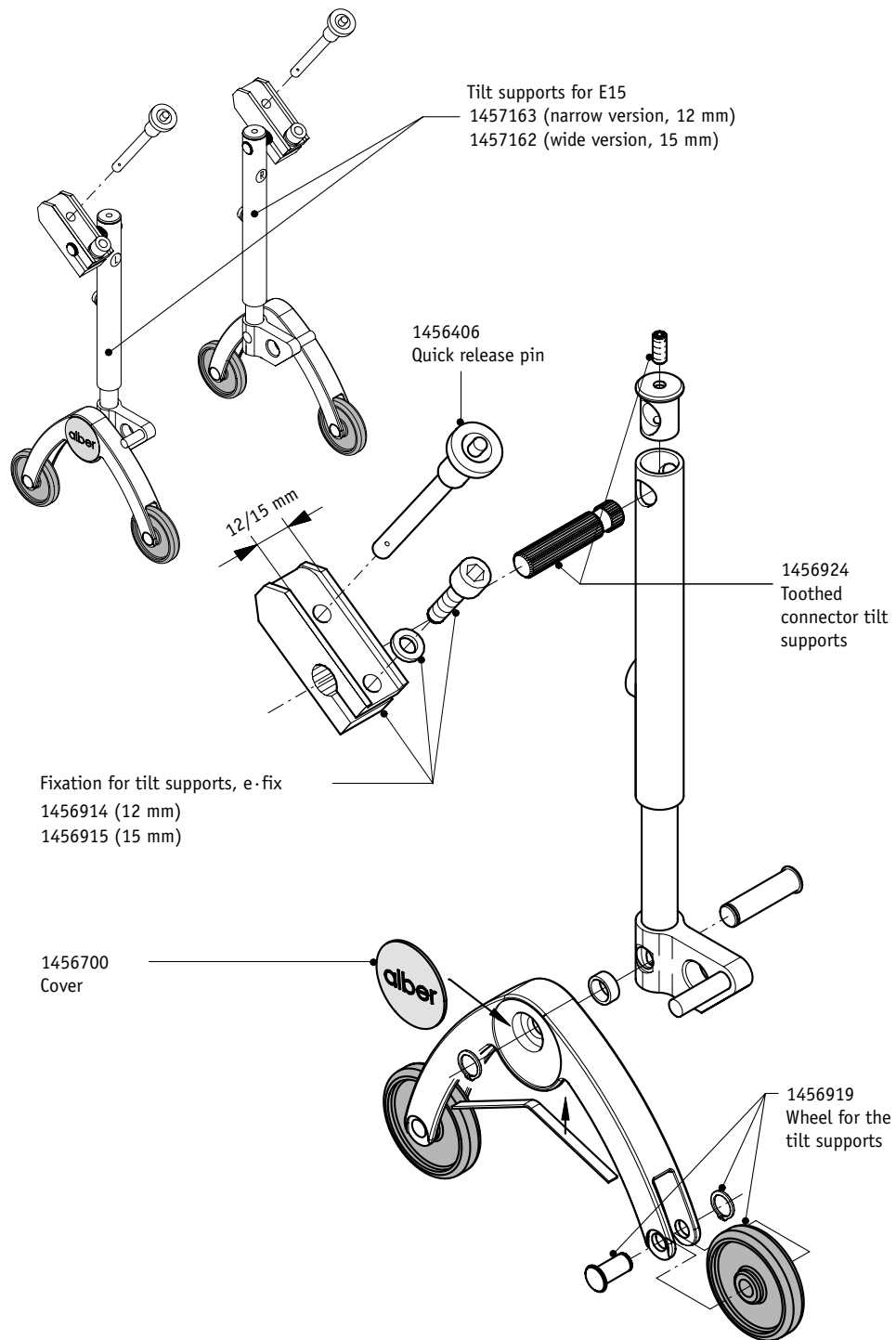


Accessories for control unit



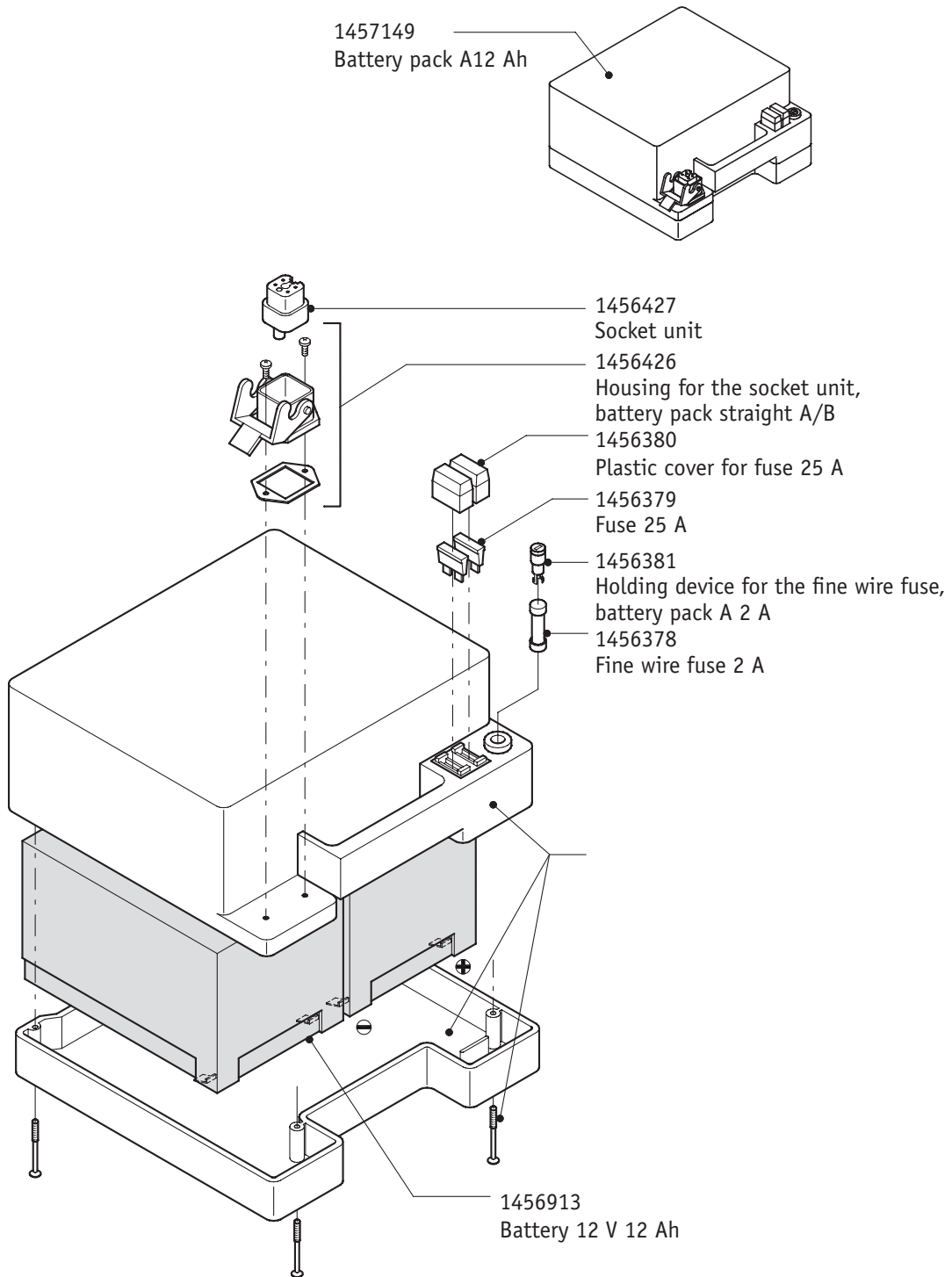


Tilt supports



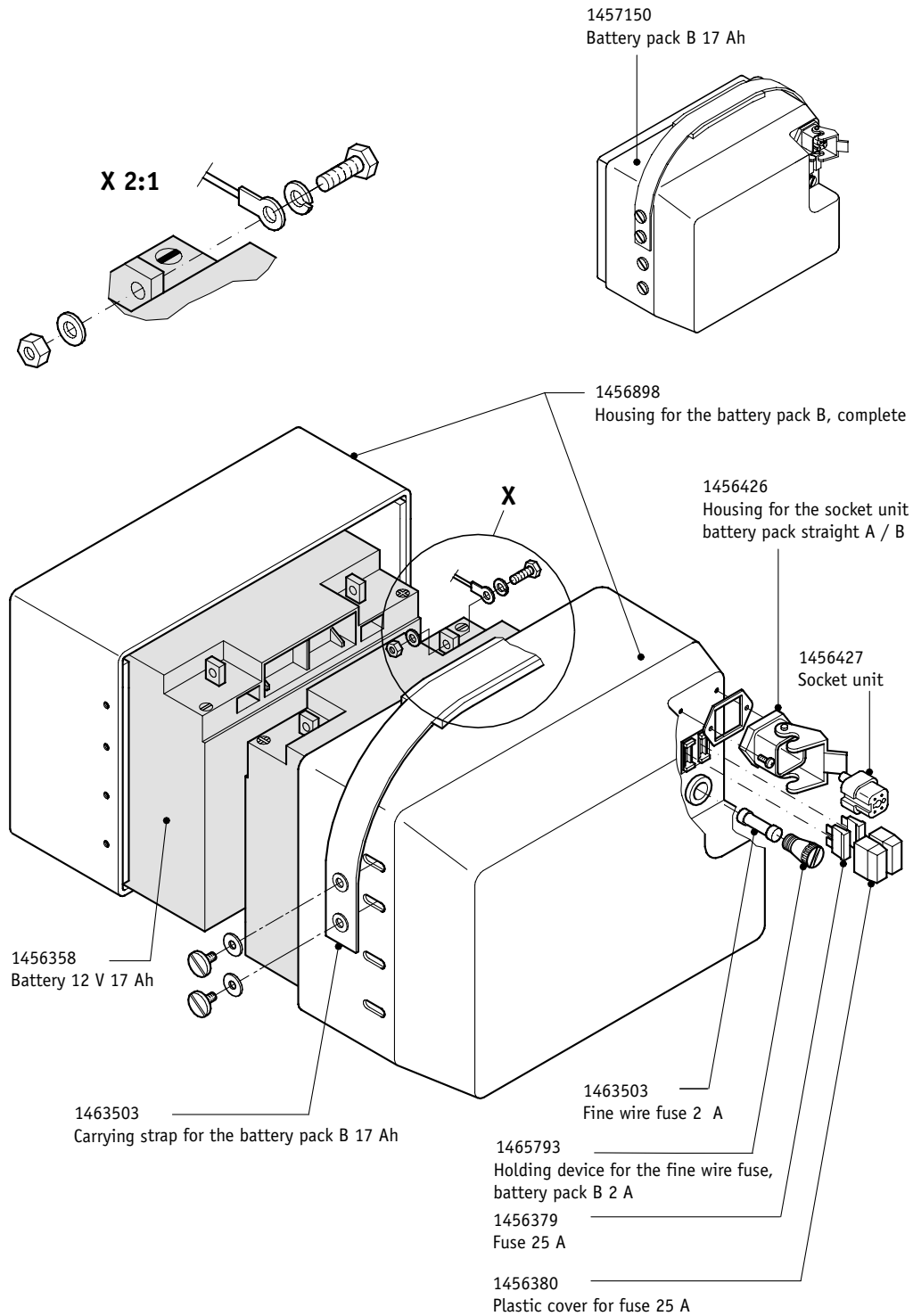


Battery pack A, 12 Ah



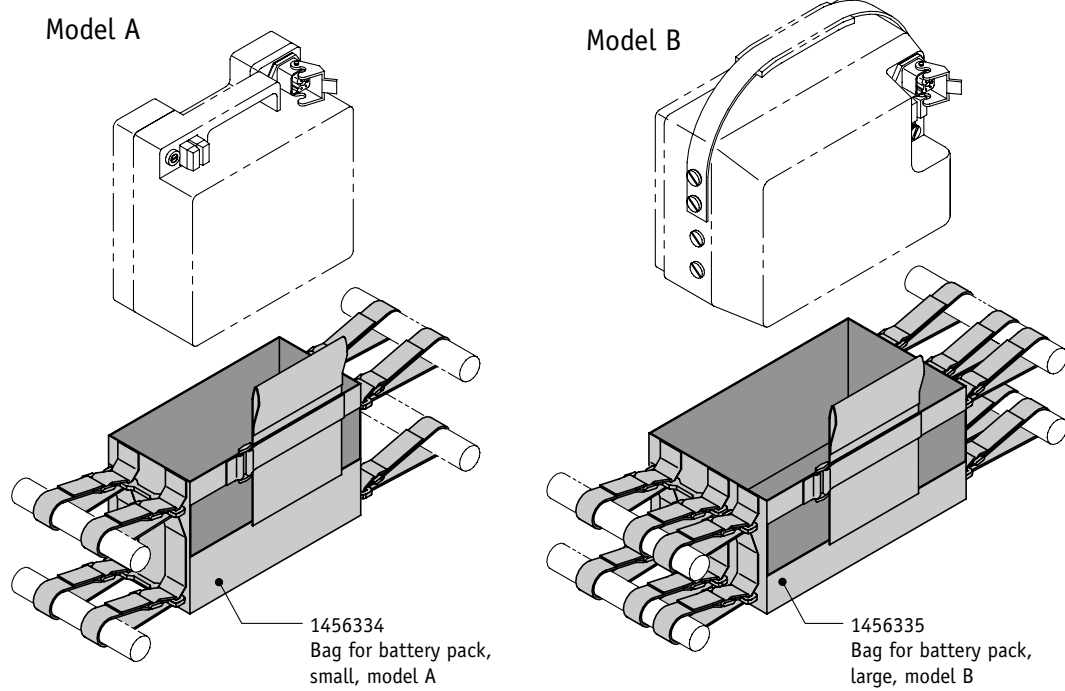


Battery pack B, 17 Ah





Bag for the battery packs, models A and B

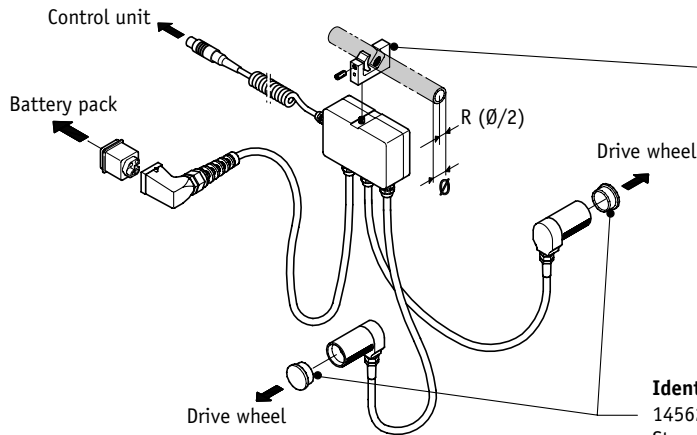




Distribution interface units

1456899

Distribution interface unit version A, with socket

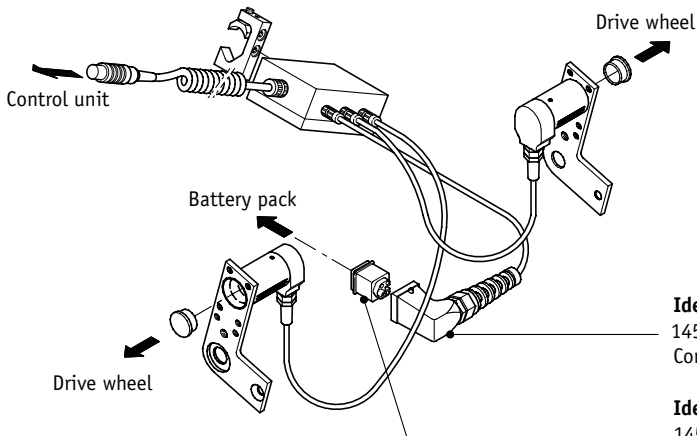


Identical for versions A, B and C
 Clamping device for distribution unit
 1456498 (R9,5)
 1458534 (R10)
 1458553 (R10,5)
 1456495 (R11)
 1456497 (R11,65)
 1456500 (R12)
 1456496 (R12,5)

Identical for versions A, B and C
 1456250
 Stoppers for distribution unit

1456900

Distribution interface unit version B, with angled torque reception plate

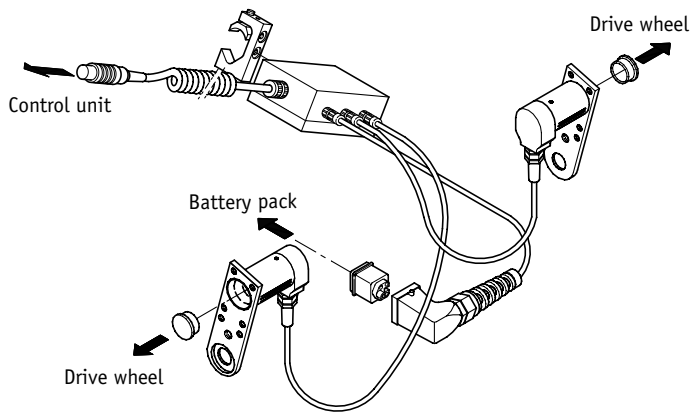


Identical for versions A, B and C
 1456904
 Connector shell plus screwed cable gland

Identical for versions A, B and C
 1456437
 Plug-in insert for power line

1456901

Distribution interface unit version C, with straight torque reception plate







Price List/ Products + Spare Parts

Price List Products + Spare Parts scalamobil

Product + Accessories S30 IQ, S31, S28 4

Spare Parts S30 IQ 5-6

Spare Parts S29, S31 7

Accessories S30 IQ, S28 8

Accessories Transfer Systems 9

Spare Parts Transfer Systems 10

Spare Parts S27, S28 11-12

Spare Parts S25 13-14

Price List Products + Spare Parts e · fix

Product + Accessories E20 15

Spare Parts E20 16-18

Spare Parts E15 19-21

Price List Product + Spare Parts viamobil

Products + Accessories V15 22

Spare Parts V15 23-24

Spare Parts V10 25

Price List Product + Spare Parts e · motion

Products + Accessories M12 26

Spare Parts M10, M12 27-28

Order Form Spare Parts 29

Price List + Spare Parts adventure

Spare Parts A10 30-35



| name | unit | item number | net in EUR |
|--|--------------|----------------|------------|
| e·fix E20 | piece | 1457171 | * |
| Additional charge for increased capacity battery pack, 17 Ah (on new e·fix) | piece | 1457749 | 83,00 |
| Battery pack complete, 24 V; 12 Ah, as additional spare battery | piece | 1457182 | 212,00 |
| Battery pack complete, 24 V; 17 Ah, as additional spare battery | piece | 1457185 | 295,00 |
| Bracket for attaching to the wheelchair | pair | 1457841 | 205,00 |
| Bracket for attendant control E20 left | piece | 1457755 | 122,00 |
| Bracket for attendant control E20 right | piece | 1457754 | 122,00 |
| Conversion to stub axles | pair | 1456265 | 155,00 |
| Elongated handrest, with neoprene cushion | piece | 1456625 | 98,00 |
| Foamed plastic ball for joystick Ø 70 mm | piece | 1456016 | 15,00 |
| Installation of control unit (removable, for operating right or left side, useful to prevent wheelchair driver from getting tired) | piece | 1457739 | 66,00 |
| Larger joystick ball, Ø 40 mm | piece | 1463552 | 15,00 |
| Larger joystick ball, Ø 50 mm | piece | 1463553 | 15,00 |
| Mounting of control unit onto client's wheelchair therapy table (with acrylic fitting frame, control unit detachable) | piece | 1463610 | 205,00 |
| Protection bow for control unit | piece | 1456941 | 47,00 |
| Speed Stop/Limit safety switch | piece | 1456943 | 210,00 |
| Spoke guard 22", „Bear“ décor | pair | 1456928 | 119,00 |
| Spoke guard 22", „Squares“ décor | pair | 1456927 | 119,00 |
| Spoke guard 24", „Squares“ décor | pair | 1456926 | 119,00 |
| Swivel arm for control unit E20 | piece | 1457753 | 262,00 |
| Tetra forc | piece | 1456627 | 73,00 |
| Therapy table – control unit mounted in center, seat width 38 - 43 cm | piece | 1463618 | 296,00 |
| Therapy table – control unit mounted in center, seat width 43 - 48 cm | piece | 1463619 | 296,00 |
| Therapy table – control unit mounted individually, seat width 38 - 43 cm | piece | 1456938 | 338,00 |
| Therapy table – control unit mounted individually, seat width 43 - 48 cm | piece | 1456939 | 338,00 |
| Tilt supports E20 | pair | 1457163/2 | 262,00 |
| Intuitive attendant control | piece | 1456944 | 900,00 |

* Please refer to your price list



| name | unit | item number | net in EUR | |
|---|-------|-------------|------------|--------|
| Adaptation, swing-away mounting | piece | 1456940 | 29,58 | 11 |
| Adjusting knob control unit, complete | piece | 1466993 | 12,45 | 10 |
| Attachment bar | piece | 1463615 | 41,03 | 9 |
| Attachment bar long chrom-plated, 125 mm | piece | 1456631 | 45,00 | 9 |
| Battery 12 V 12 Ah | piece | 1456913 | 53,68 | 15 |
| Battery 12 V 17 Ah | piece | 1456358 | 79,42 | 16 |
| Battery charger e-fix E20 | piece | 1456368 | 270,00 | 4, 20 |
| Battery pack 24 V, 12 Ah | piece | 1457182 | 212,00 | 4, 15 |
| Battery pack 24 V, 17 Ah | piece | 1457185 | 295,00 | 16 |
| Battery pack bag large, E20 | piece | 1457738 | 76,68 | 17 |
| Battery pack bag small, E20 | piece | 1457736 | 76,68 | 17 |
| Belt disks swivel arm complete | set | 1466999 | 48,25 | 22 |
| Cable for battery charger BC2403A | piece | 1456441 | 10,50 | 20 |
| Cable harness, angled, type F | piece | 1457184 | 310,00 | 19 |
| Cable harness, angled, type Q | piece | 1457187 | 310,00 | 19 |
| Cable harness, straight | piece | 1457183 | 310,00 | 19 |
| Charging adapter | piece | 1456611 | 21,36 | 21 |
| Clamping lever M5 x 10 | piece | 1456401 | 8,38 | 12 |
| Clamping lever M6 x 10 | piece | 1456407 | 16,39 | 11, 12 |
| Clamping mechanism swivel arm complete | piece | 1467000 | 41,20 | 22 |
| Clamping plate for joystick, complete | piece | 1466994 | 6,25 | 10 |
| Clutch claw drive wheel, complete | piece | 1456957 | 30,76 | 8 |
| Clutch ring | piece | 1456934 | 26,84 | 5, 7 |
| Connection pipe for control console 100 mm | piece | 1456467 | 7,83 | 11 |
| Connection pipe for control console 25 mm | piece | 1456512 | 7,83 | 11 |
| Connection pipe for control console 50 mm | piece | 1456465 | 7,83 | 11 |
| Connection pipe for control console 70 mm | piece | 1456466 | 7,83 | 11 |
| Connection pipe for control console 80 mm | piece | 1456464 | 7,83 | 11 |
| Control cable for control unit | piece | 1456595 | 34,98 | 10 |
| Control plate swivel arm complete | piece | 1467001 | 45,98 | 22 |
| Control unit complete, without handrest | piece | 1457176 | 880,00 | 4, 11 |
| Cover Alber | piece | 1456700 | 1,24 | 14 |
| Cover plate swivel arm complete | piece | 1466998 | 31,95 | 22 |
| Distribution interface E20, angled | piece | 1457186 | 490,00 | 18 |
| Distribution interface E20, angled, metal plate „wrong way round“ | piece | 1457181 | 490,00 | 18 |
| Distribution interface E20, straight | piece | 1457179 | 490,00 | 18 |
| Drive wheel 12 1/2“ | piece | 1464180 | 1.780,00 | 5 |
| Drive wheel 20“ | piece | 1457173 | 1.780,00 | 6 |
| Drive wheel 22“ | piece | 1457174 | 1.780,00 | 6 |
| Drive wheel 24“ | piece | 1457175 | 1.780,00 | 6 |
| Extension for attendant control | piece | 1463506 | 25,36 | 13 |
| Fine wire fuse 3 A | piece | 1456392 | 0,83 | 18, 21 |
| Fixation for profile tube large | piece | 1457347 | 60,50 | 13 |
| Fixation for profile tube small | piece | 1457348 | 60,50 | 13 |





| name | unit | item number | net in EUR | e·fix page |
|--|-------|-------------|------------|------------|
| Fixation for push bar, pls indicate diameter of push bar | Paar | 1457529 | 121,00 | 13 |
| Fixation for tilt supports e·fix 12 mm | pair | 1456914 | 34,89 | 14 |
| Fixation for tilt supports e·fix 15 mm | pair | 1456915 | 34,89 | 14 |
| Fixation for tube large | piece | 1457350 | 60,50 | 13 |
| Fixation for tube small | piece | 1457349 | 60,50 | 13 |
| Fixation of control unit for attendant control (pls indicate type of wheelchair) | piece | 1463507 | 68,47 | 12 |
| Fuse 25 A | piece | 1456391 | 0,85 | 18 |
| Gaiter for joystick | piece | 1465996 | 9,00 | 10 |
| Handrest for control unit | piece | 1456593 | 21,36 | 9 |
| Holding device for control unit | piece | 1463624 | 48,75 | 11 |
| Housing control unit, lower part | piece | 1456590 | 31,56 | 10 |
| Housing control unit, upper part | piece | 1456594 | 32,97 | 10 |
| Housing for swivel arm | piece | 1458901 | 49,95 | 22 |
| Housing interface upper part, complete | piece | 1466996 | 10,30 | 19 |
| Housing interface, lower part with circuit board, complete | piece | 1466997 | 42,50 | 19 |
| Housing large battery pack, E20 | piece | 1463548 | 172,52 | 16 |
| Housing small battery pack, E20 | piece | 1456929 | 156,10 | 15 |
| Joystick knob 30 mm | piece | 1456422 | 10,40 | 9 |
| Joystick, complete | piece | 1456608 | 189,60 | 10 |
| Knee of the holding for attendant control, left | piece | 1459435 | 81,61 | 12 |
| Knee of the holding for attendant control, right | piece | 1456582 | 81,61 | 12 |
| Locking device E20 complete | piece | 1456923 | 25,36 | 5, 7 |
| Mains cable battery charger | piece | 1456438 | 19,32 | 20 |
| Mounting for attendant control E20 – left | piece | 1457755 | 122,13 | 12 |
| Mounting for attendant control E20 – right | piece | 1457754 | 122,13 | 12 |
| Mounting plate for control unit | piece | 1456935 | 19,12 | 9 |
| Outer cover 12 1/2" | piece | 1456266 | 13,43 | 5 |
| Outer cover 20" | piece | 1456256 | 11,24 | 7 |
| Outer cover 22" | piece | 1456257 | 11,24 | 7 |
| Outer cover 24" | piece | 1456258 | 11,24 | 7 |
| Programmin key | piece | 1456600 | 8,00 | 9 |
| Push rim, 20" | piece | 1456954 | 38,00 | 8 |
| Push rim, 22" | piece | 1456955 | 38,00 | 8 |
| Push rim, 24" | piece | 1456956 | 38,00 | 8 |
| Quick release pin | piece | 1456406 | 19,50 | 14 |
| Reflector e·fix | piece | 1463501 | 4,67 | 7 |
| Set of screws housing control unit | set | 1466995 | 6,98 | 10 |
| Slide guide for ballcup attendant control | piece | 1460850 | 18,90 | 12 |
| Sliding piece e·fix | piece | 1463630 | 25,25 | 11, 12 |
| Solid insert 12 1/2" | piece | 1456267 | 57,97 | 5 |
| Solid insert 20" | piece | 1464178 | 57,97 | 7 |
| Solid insert 22" | piece | 1464199 | 57,97 | 7 |
| Solid insert 24" | piece | 1456259 | 57,97 | 7 |
| Spiral cable control unit | piece | 1456597 | 82,32 | 19 |



| name | unit | item number | net in EUR | e·fix page |
|--|-------|-------------|------------|------------|
| Spoke 20" | piece | 1464298 | 2,36 | 7 |
| Spoke 22" | piece | 1464306 | 2,36 | 7 |
| Spoke 24" | piece | 1456278 | 2,36 | 7 |
| Spoke nippel, oiled for e·fix wheel | piece | 1456274 | 0,71 | 7 |
| Stop screw on the stub axle e·fix | piece | 1456459 | 3,00 | 5, 7 |
| Swivel arm E20 | piece | 1457753 | 262,00 | 11 |
| Tilt supports E20 left/right (narrow version, 12 mm) | pair | 1457163 | 262,00 | 14 |
| Tilt supports E20 left/right (wide version, 15 mm) | pair | 1457162 | 262,00 | 14 |
| Tooth belt swivel arm | piece | 1456247 | 8,98 | 22 |
| Toothed bar tilt supports | piece | 1456924 | 10,18 | 14 |
| Toothed mounting (brass) | piece | 1456469 | 9,85 | 11, 12 |
| Wheel for tilt supports e·fix | piece | 1456919 | 1,86 | 14 |
| Wheel rim, 20" | piece | 1459637 | 16,24 | 8 |
| Wheel rim, 22" | piece | 1456621 | 16,24 | 8 |
| Wheel rim, 24" | piece | 1456620 | 16,24 | 8 |



| name | unit | item number | net in EUR | e·fix page |
|--|-------|-------------|------------|------------|
| Adaptation basic version | piece | 1456917 | 23,72 | 28 |
| Adaptation, swivel arm | piece | 1456918 | 23,72 | 28 |
| Attachment bar | piece | 1463504 | 17,25 | 27 |
| Battery 12 V 12 Ah | piece | 1456913 | 53,68 | 30 |
| Battery 12 V 17 Ah | piece | 1456358 | 79,42 | 31 |
| Battery charger for the e·fix | piece | 1456363 | 294,25 | 23 |
| Battery pack A 12 Ah | piece | 1457149 | 226,84 | 23, 30 |
| Battery pack B 17 Ah (big battery bag required) | piece | 1457150 | 315,65 | 31 |
| Battery pack bag large model B | piece | 1456335 | 82,05 | 32 |
| Battery pack bag small model A | piece | 1456334 | 82,05 | 32 |
| Carrying strap for the battery pack B 17 Ah | piece | 1463503 | 14,24 | 31 |
| Clamping device for distribution unit R10 | piece | 1458534 | 9,16 | 33 |
| Clamping device for distribution unit R10,5 | piece | 1458553 | 9,16 | 33 |
| Clamping device for distribution unit R11 | piece | 1456495 | 9,15 | 33 |
| Clamping device for distribution unit R11,65 | piece | 1456497 | 9,15 | 33 |
| Clamping device for distribution unit R12 | piece | 1456500 | 9,15 | 33 |
| Clamping device for distribution unit R12,5 | piece | 1456496 | 9,15 | 33 |
| Clamping device for distribution unit R9,5 | piece | 1456498 | 9,15 | 33 |
| Clamping lever M5 x 10 | piece | 1456401 | 8,38 | 28 |
| Clutch ring | piece | 1456903 | 29,14 | 24, 26 |
| Connecting pipe for the control console 100 mm | piece | 1456467 | 7,83 | 28 |
| Connecting pipe for the control console 25 mm | piece | 1456512 | 7,83 | 28 |
| Connecting pipe for the control console 50 mm | piece | 1456465 | 7,83 | 28 |
| Connecting pipe for the control console 70 mm | piece | 1456466 | 7,83 | 28 |
| Connecting pipe for the control console 80 mm | piece | 1456464 | 7,83 | 28 |
| Connector shell plus srewed cable gland | piece | 1456904 | 20,43 | 33 |
| Control unit | piece | 1457161 | 957,65 | 23, 27 |
| Cover Alber | piece | 1456700 | 1,24 | 29 |
| Covering plate E15 complete, metal | piece | 1456902 | 93,34 | 24, 26 |
| Covering plate E15 complete, plastic | piece | 1456923 | 25,36 | 24, 26 |
| Distribution interface unit version A, with socket | piece | 1456899 | 535,00 | 33 |
| Distribution interface unit version B with angled torque reception plate | piece | 1456900 | 535,00 | 33 |
| Distribution interface unit version C with straight torque reception plate | piece | 1456901 | 535,00 | 33 |
| Drive wheel 12 1/2" | piece | 1466983 | 1.931,35 | 24 |
| Drive wheel 20" | piece | 1457158 | 1.931,35 | 25 |
| Drive wheel 22" | piece | 1457159 | 1.931,35 | 25 |
| Drive wheel 24" | piece | 1457160 | 1.931,35 | 25 |
| Drive wheel 26" | piece | 1464119 | 1.931,35 | 25 |
| Extension for the control unit for attendant control | piece | 1463506 | 25,36 | 28 |
| Fine wire fuse 2 A | piece | 1456378 | 0,89 | 30, 31 |
| Fitting piece for the control unit | piece | 1456905 | 44,70 | 27 |
| Fixation for tilt supports e·fix 12 mm | pair | 1456914 | 34,89 | 29 |
| Fixation for tilt supports e·fix 15 mm | pair | 1456915 | 34,89 | 29 |



| name | unit | item number | net in EUR | e·fix page |
|---|-------|-------------|------------|------------|
| Fixation of the control unit for attendant control (indicate wheelchair type) | piece | 1463507 | 68,47 | 28 |
| Fuse 25 A | piece | 1456379 | 0,85 | 30, 31 |
| Holding device for the control unit | piece | 1456920 | 40,44 | 28 |
| Holding device for the control unit for attendant control E15 - left | piece | 1466300 | 122,13 | 28 |
| Holding device for the control unit for attendant control E15 - right | piece | 1457746 | 122,13 | 28 |
| Holding device for the fine wire fuse, battery pack A 2 A | piece | 1456381 | 5,49 | 30 |
| Holding device for the fine wire fuse, battery pack B 2 A | piece | 1465793 | 5,49 | 31 |
| Housing for the battery pack A complete | piece | 1456897 | 169,45 | 30 |
| Housing for the battery pack B complete | piece | 1456898 | 187,27 | 31 |
| Housing for the socket unit, battery pack straight A/B | piece | 1456426 | 15,43 | 30, 31 |
| Joystick ball 30 mm | piece | 1456422 | 10,40 | 27 |
| Key bridge chip | piece | 1456569 | 7,10 | 27 |
| Knee for the holding device for attendant control left | piece | 1459435 | 81,61 | 28 |
| Knee for the holding device for attendant control right | piece | 1456582 | 81,61 | 28 |
| Outer cover 12 1/2" | piece | 1456266 | 13,43 | 24 |
| Outer cover 20" | piece | 1456256 | 11,24 | 26 |
| Outer cover 22" | piece | 1456257 | 11,24 | 26 |
| Outer cover 24" | piece | 1456258 | 11,24 | 26 |
| Outer cover 26" | piece | 1464177 | 13,43 | 26 |
| Plastic cover for fuse 25 A | piece | 1456380 | 1,25 | 30, 31 |
| Plug-in insert for power line | piece | 1456437 | 21,83 | 33 |
| Push rim 20" (fixed with rivets) | piece | 1464373 | 36,57 | 26 |
| Push rim 22" ((fixed with rivets)) | piece | 1464374 | 36,57 | 26 |
| Push rim 24" (fixed with rivets) | piece | 1464375 | 36,57 | 26 |
| Push rim 26" (fixed with rivets) | piece | 1464376 | 36,57 | 26 |
| Quick release pin | piece | 1456406 | 19,50 | 29 |
| Reflector e·fix | piece | 1463501 | 4,67 | 26 |
| Slide guide for ballcup | piece | 1460850 | 18,90 | 28 |
| Socket unit | piece | 1456427 | 7,51 | 30, 31 |
| Solid insert 12 1/2" | piece | 1456267 | 57,97 | 24 |
| Solid insert 20" | piece | 1464178 | 57,97 | 26 |
| Solid insert 22" | piece | 1464199 | 57,97 | 26 |
| Solid insert 24" | piece | 1456259 | 57,97 | 26 |
| Solid insert 26" | piece | 1464206 | 57,97 | 26 |
| Spoke 20" | piece | 1464298 | 2,53 | 26 |
| Spoke 22" | piece | 1464306 | 2,53 | 26 |
| Spoke 24" | piece | 1456278 | 2,53 | 26 |
| Spoke 26" | piece | 1464313 | 2,53 | 26 |
| Spoke nippel, oiled for e·fix wheel | piece | 1456274 | 0,71 | 26 |
| Stop screw on the stub axle e·fix | piece | 1456459 | 3,00 | 26 |
| Swivel arm | piece | 1456921 | 262,00 | 28 |
| Tilt supports for E15 left/right (narrow version 12 mm) | pair | 1457163 | 262,00 | 29 |
| Tilt supports for E15 left/right (wide version 15 mm) | pair | 1457162 | 262,00 | 29 |





| name | unit | item number | net in EUR | e · fix page |
|--|-------------|--------------------|-------------------|-------------------------|
| Toothed connector control unit (brass) | piece | 1456469 | 9,85 | 28 |
| Toothed connector tilt supports | piece | 1456924 | 10,18 | 29 |
| Wheel for tilt supports e · fix | piece | 1456919 | 1,86 | 29 |