

Spare Parts Catalogue

Version: 2017/05/23b NL



DOLOMITE® MELODY



Yes, you can.®

General Information

For any order of spare parts the following information is required:

- Product type*
- Product name & model*
- Serial Number*
- Part-Number*
- Part-Description*

Exploded view drawings and code numbers are not contractual and subject to modification, in relation to Invacare® continuous product improvement policy to meet end users needs.

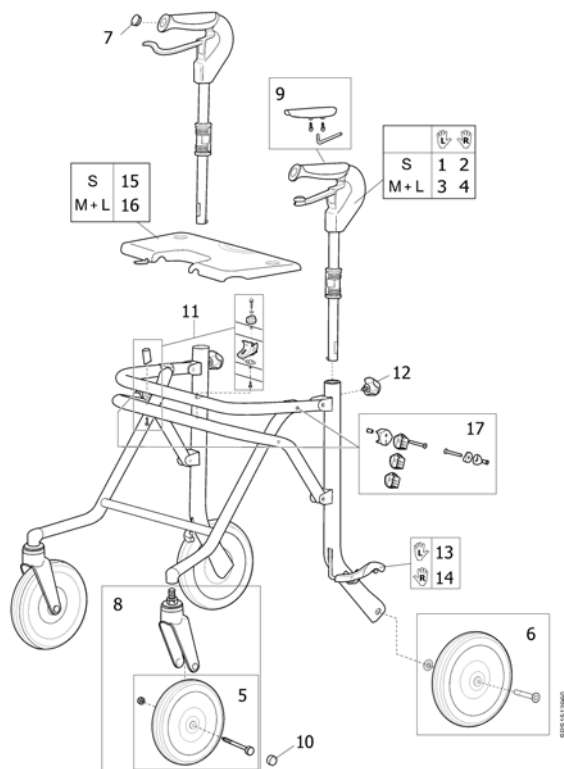
The reproduction or use of this work, or of any substantial part of this work, in any form or by any electronic, mechanical or other means, including photocopying, scanning and recording, and in any information storage and retrieval system, including electronic transmission, is forbidden without the prior written permission of Invacare® International Sarl.



Yes, you can.[®]

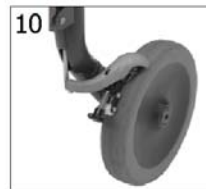
TABLE OF CONTENTS

(Spare parts)	5
(Accessories)	6



	82181	(User manual other languages)	1
	82180	(User manual Nordic languages)	1
1	12703-L	(Brake handle left complete with adjustment knob and nut washer) <i>MELODY S</i>	1
2	12703-R	(Brake handle right complete with adjustment knob and nut washer) <i>MELODY S</i>	1
3	12702-L	Dolomite remhendel cpl incl.reg.knop links <i>MELODY M/L</i>	1
4	12702-R	Dolomite remhendel cpl incl.reg.knop rechts <i>MELODY M/L</i>	1
5	12609	Dolomite SLII wiel kit compleet per stuk <i>Front wheel</i>	1
6	1510552	(SL II rear wheel complete)	1
7	1452461	(Handle plug 20-pack) <i>Replaces 70073</i>	1
8	13565-V01	Dolomite Melody voorvork met wiel ps <i>Replaces 13565</i>	1
9	1452460	(Handgrip surface complete with screw and torxkey 10-pack) <i>Replaces 12706</i>	1
10	1452282	Aquatec afdekkap Primo/ Opal2000 sting. (per 20)	1
11	1452464	Dolomite Melody bev.set per 5 <i>Replaces 12707 and 12708</i>	1
12	1452462	Dolomite Melody verstelknop set van 10 stuks <i>Replaces 12704</i>	1
13	12705-L	Dolomite Melody remhendel links	1
14	12705-R	Dolomite Melody remhendel rechts	1
15	12713	(Seat kit) <i>MELODY S</i>	1
16	12712	Dolomite Melody seatkit medium/large <i>MELODY M/L</i>	1
17	SP1572740	Dolomite Melody opvouwmechanisme	1

Dolomite® Melody |
(Accessories)



1	12540	Dolomite mand Melody groot M/L <i>MELODY M/L</i>	1
2	12542	Dolomite basket Melody klein met hendel <i>MELODY S</i>	1
3	12606	Dolomite stokhouder ex.Jazz	1
4	70311	Dolomite tray voor alle Dolomite rollators	1
5	12628	Dolomite rugsteun medium /large <i>MELODY M/L</i>	1
5	12629	Dolomite rugsteun small <i>MELODY S</i>	1
6	12563	Dolomite drempelhulp Melody/Soprano	1
7	12544	Dolomite spatbeschermers Melody pp	1
8	12523	Dolomite boodschappentas zwart tbv.alle modellen	1
9	13655	(Locking screw, pair)	1
10	1452396-R	Dolomite vertragingsrem re Melody/Soprano	1
10	1452396-L	Dolomite vertragingsrem li Melody/Soprano	1
11	13548-S	(High handles, pair) <i>MELODY S</i>	1
12	12683	Dolomite zuurstoffleshouder	1
13	12547	Dolomite infuushouder <i>MELODY M/L</i>	1



Yes, you can.®



Belgium & Luxemburg:

Invacare nv, Autobaan 22, B-8210 Loppem
Tel: (32) (0)50 83 10 10, Fax: (32) (0)50 83 10 11
belgium@invacare.com / www.invacare.be

Denmark:

Invacare A/S, Sdr. Ringvej 37, DK-2605 Brøndby
Tel: (45) (0)36 90 00 00, Fax: (45) (0)36 90 00 01
denmark@invacare.com / www.invacare.dk

Deutschland:

Invacare Aquatec GmbH, Alemannenstraße 10, D-88316 Isny
Tel: (49) (0)75 62 7 00 0, Fax: (49) (0)75 62 7 00 66
info@invacare-aquatec.com / www.invacare-aquatec.de

European Distributor Organisation:

Invacare, Kleiststraße 49, D-32457 Porta Westfalica
Tel: (49) (0)57 31 754 540, Fax: (49) (0)57 31 754 541
edo@invacare.com / www.invacare.eu.com

España:

Invacare SA, c/Areny s/n, Polígon Industrial de Celrà, E-17460 Celrà (Girona)
Tel: (34) (0)972 49 32 00, Fax: (34) (0)972 49 32 20
contactsp@invacare.com / www.invacare.es

France:

Invacare Poirier SAS, Route de St Roch, F-37230 Fondettes
Tel: (33) (0)2 47 62 64 66, Fax: (33) (0)2 47 42 12 24
contactfr@invacare.com / www.invacare.fr

Ireland:

Invacare Ireland Ltd, Unit 5 Seatown Business Campus, Seatown Road, Swords, County Dublin - Ireland
Tel: (353) 1 810 7084, Fax: (353) 1 810 7085
ireland@invacare.com / www.invacare.ie

Italia:

Invacare Mecc San s.r.l., Via dei Pini 62, I-36016 Thiene (VI)
Tel: (39) 0445 38 00 59, Fax: (39) 0445 38 00 34
italia@invacare.com / www.invacare.it

Nederland:

Invacare BV, Celsiusstraat 46, NL-6716 BZ Ede
Tel: (31) (0)318 695 757, Fax: (31) (0)318 695 758
nederland@invacare.com, csede@invacare.com / www.invacare.nl

Norge:

Invacare AS, Grensesvingen 9, Postboks 6230, Etterstad, N-0603 Oslo
Tel: (47) (0)22 57 95 00, Fax: (47) (0)22 57 95 01
norway@invacare.com, island@invacare.com / www.invacare.no

Österreich:

Invacare Austria GmbH, Herzog Odilostrasse 101, A-5310 Mondsee
Tel: (43) 6232 5535 0, Fax: (43) 6232 5535 4
info-austria@invacare.com / www.invacare.at

Portugal:

Invacare Lda, Rua Estrada Velha, 949, P-4465-784 Leça do Balio
Tel: (351) (0)225 1059 46/47, Fax: (351) (0)225 1057 39
portugal@invacare.com / www.invacare.pt

Sverige & Suomi:

Invacare AB, Fagerstagatan 9, S-163 91 Spånå
Tel: (46) (0)8 761 70 90, Fax: (46) (0)8 761 81 08
sweden@invacare.com, finland@invacare.com / www.invacare.se

Switzerland:

Invacare AG, Benkenstrasse 260, CH-4108 Witterswil
Tel: (41) (0)61 487 70 80, Fax: (41) (0)61 487 70 81
switzerland@invacare.com / www.invacare.ch

United Kingdom:

Invacare Limited, Pencoed Technology Park, Pencoed, Bridgend CF35 5AQ
Switchboard Tel: (44) (0)1656 776200, Fax: (44) (0)1656 776201
Customer services Tel: (44) (0)1656 776222, Fax: (44) (0)1656 776220
uk@invacare.com / www.invacare.co.uk