

# *Spare Parts Catalogue*

---

Version: 2017/07/03b NL



**DOLOMITE® LEGACY**



**Yes, you can.®**

## **General Information**

*For any order of spare parts the following information is required:*

- Product type*
- Product name & model*
- Serial Number*
- Part-Number*
- Part-Description*

*Exploded view drawings and code numbers are not contractual and subject to modification, in relation to Invacare® continuous product improvement policy to meet end users needs.*

*The reproduction or use of this work, or of any substantial part of this work, in any form or by any electronic, mechanical or other means, including photocopying, scanning and recording, and in any information storage and retrieval system, including electronic transmission, is forbidden without the prior written permission of Invacare® International Sarl.*



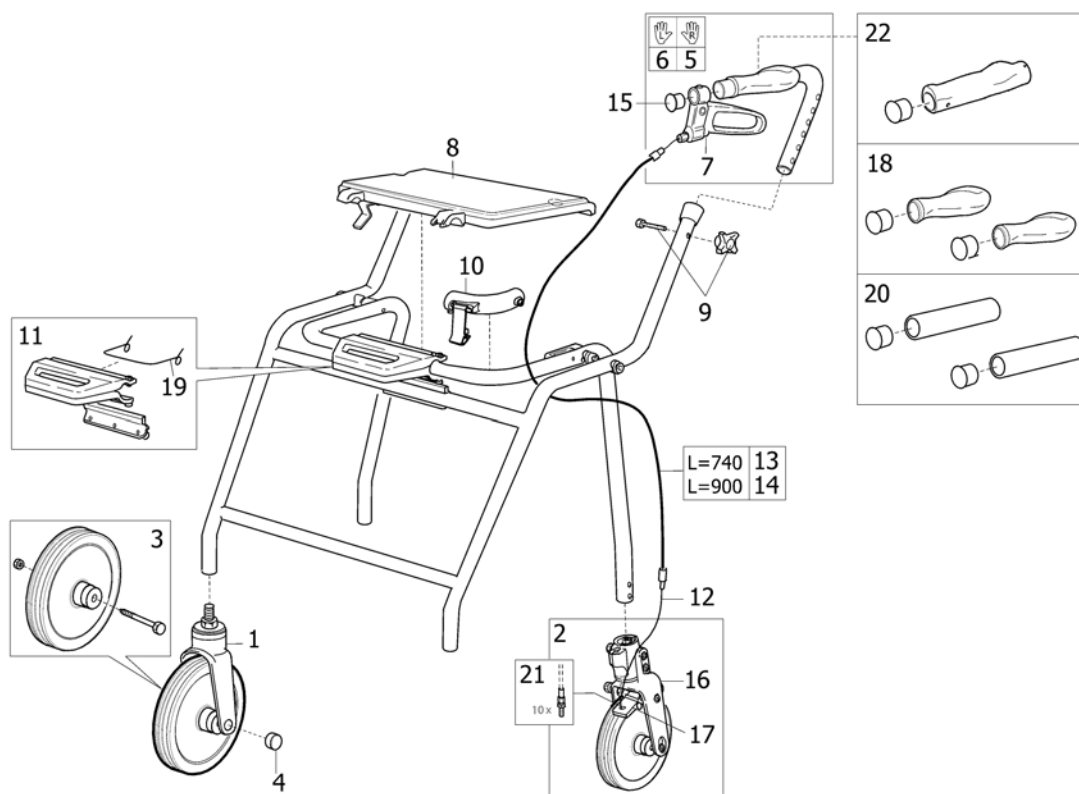
**Yes, you can.®**

## **TABLE OF CONTENTS**

---

(Spare parts) .....	5
(Accessories) .....	6





SPS1312959

1	13565-V01	Dolomite Melody voorvork met wiel ps <i>Replaces item 13565-25-V01</i>	03.03.2010 →	1
1	13565-25-V01	(Front fork complete with SL II wheel grey)	→ 02.03.2010	1
2	1534944	Dolomite Legacy achterwiel met vork ps <i>Replaces item 12594</i>	03.03.2010 →	1
2	12594	Dolomite Legacy achterwiel met vork ps	→ 02.03.2010	1
3	12609	Dolomite SLII wiel kit compleet per stuk		1
4	1452282	Aquatec afdekkap Primo/ Opal2000 sting. (per 20)		1
5	13148	Dolomite handrem met hendel rechts		1
6	13149	Dolomite handrem met hendel links		1
7	13464-L	Dolomite Maxi+ handgreep met kabel links		1
7	13464-R	Dolomite Maxi+ handgreep met kabel rechts		1
8	12545	Dolomite Legacy zitting opklapbaar incl.bev.mat.		1
9	1452459	(Height adjustment knob and screw 10 pcs) <i>Replaces 12665</i>		1
10	1452288	(Folding lock red 10 pcs)		1
10	12656	Dolomite vergrend.slot Symph./Futura/Amigo/Maxi		1
11	1510376	(Folding mechanism kit) <i>Replaces 12622 and 12647</i>		1
12	1452283	Dolomite Legacy remkabel binnen 10 stuks		1
13	1529908	(Cover L=740 mm 10 pcs) <i>LEGACY 450 - Replaces 80067</i>		1
14	1529879	Dolomite Legacy remkabel buiten 900mm 10 stuks <i>LEGACY 520/600 - Replaces 80016</i>		1
15	1529860	(End cap 20 pcs)		1
16	12617	Dolomite remhendel tbv.wiel ps		1
17	12620	Dolomite scharnier ps Symphony/Maxi/HP/Futura		1
17	72091	(Brake shoe)		1
18	12509	Dolomite Legacy handvatten anatomisch pp		1
19	1529858	(Spring for Foldinghandle 10 pcs)		1
20	12677	Dolomite Alpha soft grip l=220mm (paar)		1
21	1542524	(Adjustmentscrew with nut, 10 pcs)		1
22	1560486	Dolomite Legacy handvat anatomisch versie 2 p10		1

Dolomite® Legacy |  
**(Accessories)**



1	12538-15	Dolomite draadmand klein Legacy 450 <i>LEGACY 450</i>		1
2	12530-15	Dolomite mand <i>LEGACY 520/600</i>		1
3	70311	Dolomite tray voor alle Dolomite rollators		1
4	12606	Dolomite stokhouder ex.Jazz		1
5	12510	Dolomite rugsteun		1
6	13041-21	Dolomite vertragsrem set (roll.na 03/03/2010)	03.03.2010 →	1
6	12535-21	Dolomite vertragsrem pp(roll.voor 02/03/2010)	→ 02.03.2010	1
7	12544	Dolomite spatbeschermers Melody pp		1
8	12682-25	Dolomite zuurstoffleshouder		1
9	12523	Dolomite boodschappentas zwart tbv.alle modellen		1
10	12677	Dolomite Alpha soft grip l=220mm (paar)		1
11	12560-21	Dolomite drempelhulp Futura/Alpha/Legacy >03/2010	03.03.2010 →	1
12	12505-L	Dolomite eenhandsrem Maxi/Leg/Opal2000 links		1
12	12505-R	Dolomite eenhandsrem Maxi/Leg/Opal2000 rechts		1
13	12651	Dolomite soffthandgrepen Legacy		1
14	AP1582476	(IV-POLE, TELESCOPIC, CPL)		1
15	SP1580372	(Soft Seat, cpl)		1





Yes, you can.®



---

**Belgium & Luxemburg:**

Invacare nv, Autobaan 22, B-8210 Loppem  
Tel: (32) (0)50 83 10 10, Fax: (32) (0)50 83 10 11  
belgium@invacare.com / www.invacare.be

**Denmark:**

Invacare A/S, Sdr. Ringvej 37, DK-2605 Brøndby  
Tel: (45) (0)36 90 00 00, Fax: (45) (0)36 90 00 01  
denmark@invacare.com / www.invacare.dk

**Deutschland:**

Invacare Aquatec GmbH, Alemannenstraße 10, D-88316 Isny  
Tel: (49) (0)75 62 7 00 0, Fax: (49) (0)75 62 7 00 66  
info@invacare-aquatec.com / www.invacare-aquatec.de

**European Distributor Organisation:**

Invacare, Kleiststraße 49, D-32457 Porta Westfalica  
Tel: (49) (0)57 31 754 540, Fax: (49) (0)57 31 754 541  
edo@invacare.com / www.invacare.eu.com

**España:**

Invacare SA, c/Areny s/n, Polígon Industrial de Celrà, E-17460 Celrà (Girona)  
Tel: (34) (0)972 49 32 00, Fax: (34) (0)972 49 32 20  
contactsp@invacare.com / www.invacare.es

**France:**

Invacare Poirier SAS, Route de St Roch, F-37230 Fondettes  
Tel: (33) (0)2 47 62 64 66, Fax: (33) (0)2 47 42 12 24  
contactfr@invacare.com / www.invacare.fr

**Ireland:**

Invacare Ireland Ltd, Unit 5 Seatown Business Campus, Seatown Road, Swords, County Dublin - Ireland  
Tel: (353) 1 810 7084, Fax: (353) 1 810 7085  
ireland@invacare.com / www.invacare.ie

**Italia:**

Invacare Mecc San s.r.l., Via dei Pini 62, I-36016 Thiene (VI)  
Tel: (39) 0445 38 00 59, Fax: (39) 0445 38 00 34  
italia@invacare.com / www.invacare.it

**Nederland:**

Invacare BV, Celsiusstraat 46, NL-6716 BZ Ede  
Tel: (31) (0)318 695 757, Fax: (31) (0)318 695 758  
nederland@invacare.com, csede@invacare.com / www.invacare.nl

**Norge:**

Invacare AS, Grensesvingen 9, Postboks 6230, Etterstad, N-0603 Oslo  
Tel: (47) (0)22 57 95 00, Fax: (47) (0)22 57 95 01  
norway@invacare.com, island@invacare.com / www.invacare.no

**Österreich:**

Invacare Austria GmbH, Herzog Odilostrasse 101, A-5310 Mondsee  
Tel: (43) 6232 5535 0, Fax: (43) 6232 5535 4  
info-austria@invacare.com / www.invacare.at

**Portugal:**

Invacare Lda, Rua Estrada Velha, 949, P-4465-784 Leça do Balio  
Tel: (351) (0)225 1059 46/47, Fax: (351) (0)225 1057 39  
portugal@invacare.com / www.invacare.pt

**Sverige & Suomi:**

Invacare AB, Fagerstagatan 9, S-163 91 Spånå  
Tel: (46) (0)8 761 70 90, Fax: (46) (0)8 761 81 08  
sweden@invacare.com, finland@invacare.com / www.invacare.se

**Switzerland:**

Invacare AG, Benkenstrasse 260, CH-4108 Witterswil  
Tel: (41) (0)61 487 70 80, Fax: (41) (0)61 487 70 81  
switzerland@invacare.com / www.invacare.ch

**United Kingdom:**

Invacare Limited, Pencoed Technology Park, Pencoed, Bridgend CF35 5AQ  
Switchboard Tel: (44) (0)1656 776200, Fax: (44) (0)1656 776201  
Customer services Tel: (44) (0)1656 776222, Fax: (44) (0)1656 776220  
uk@invacare.com / www.invacare.co.uk