



Yes, you can.®

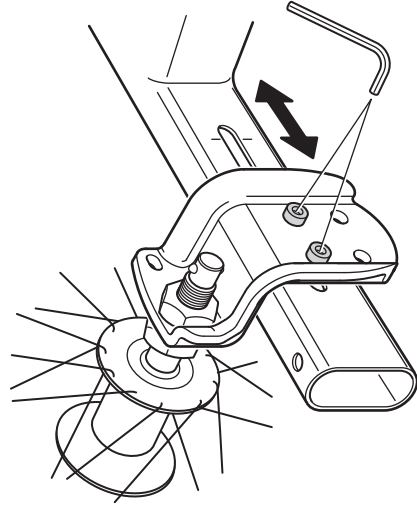
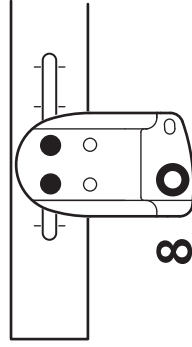
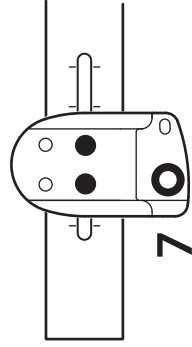
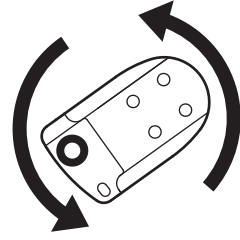
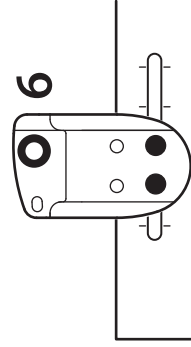
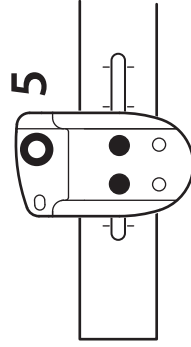
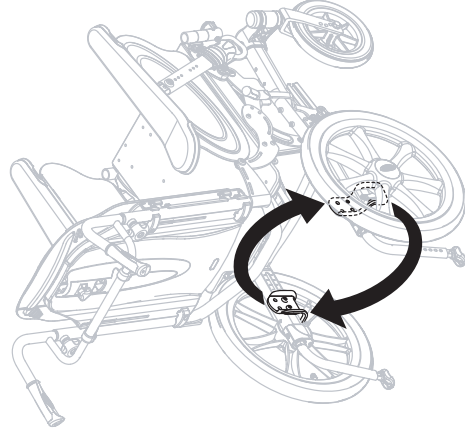
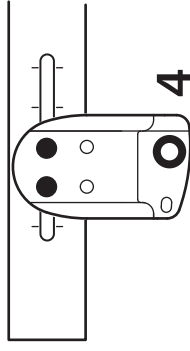
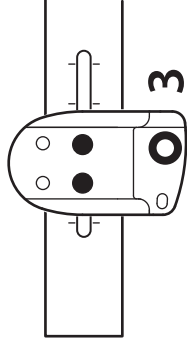
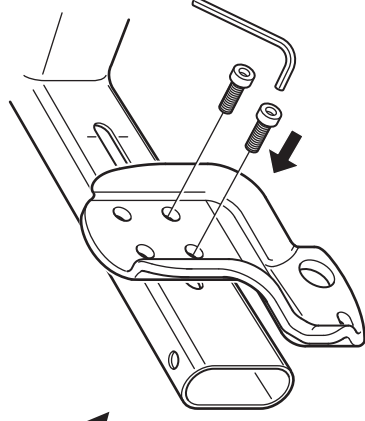
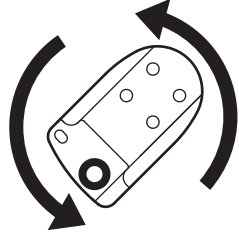
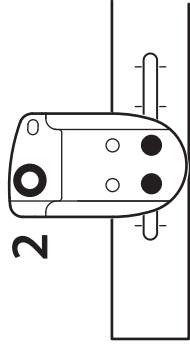
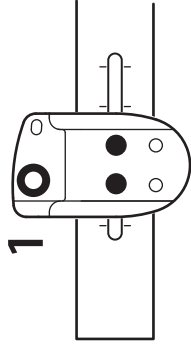
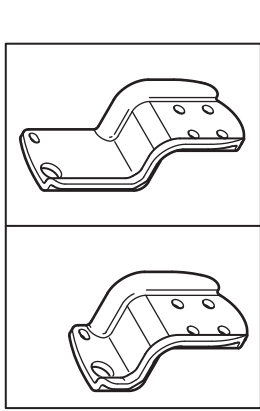


Mounting instructions *Rea*® *Dahlia*®

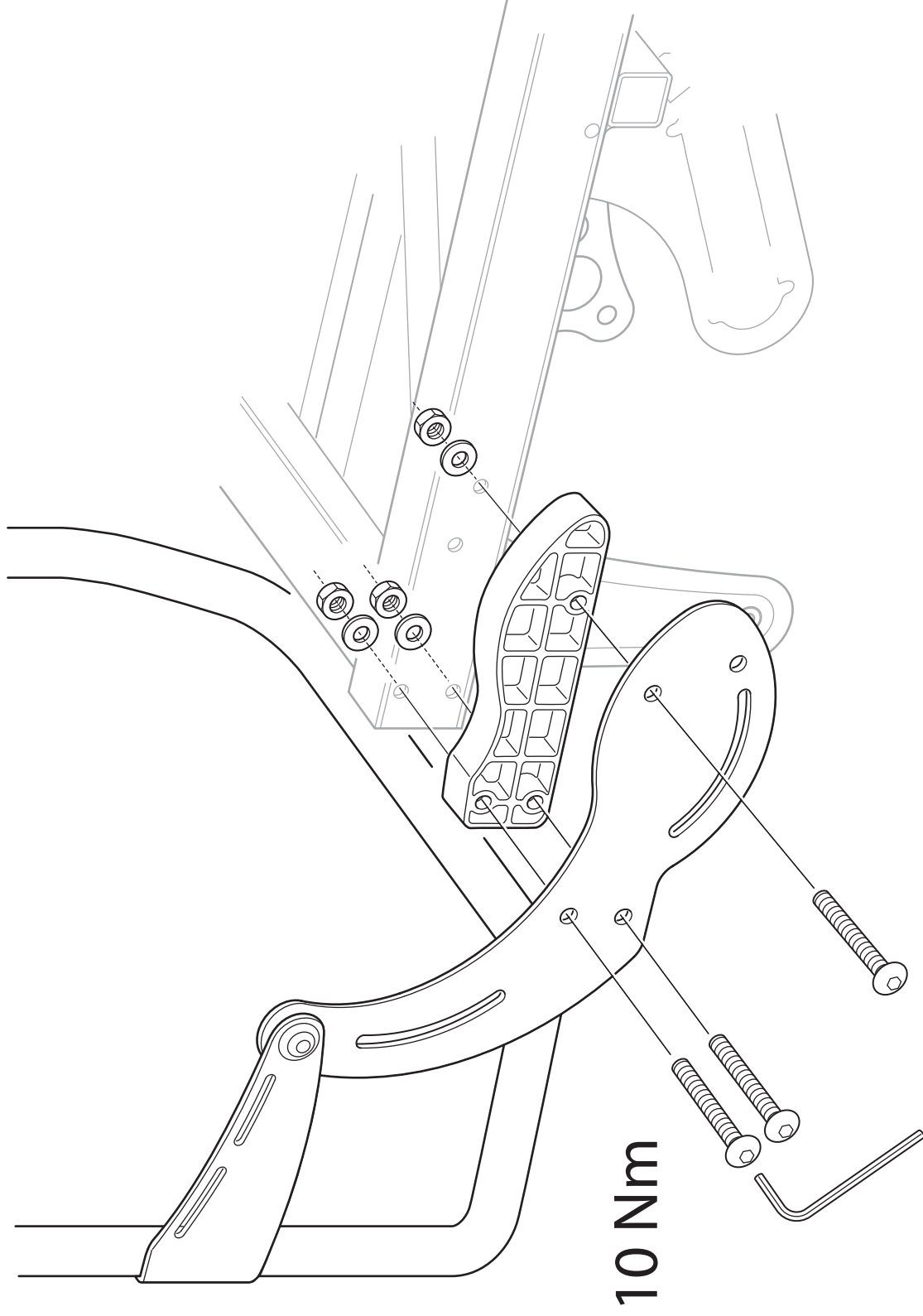


Confidence in posture solutions

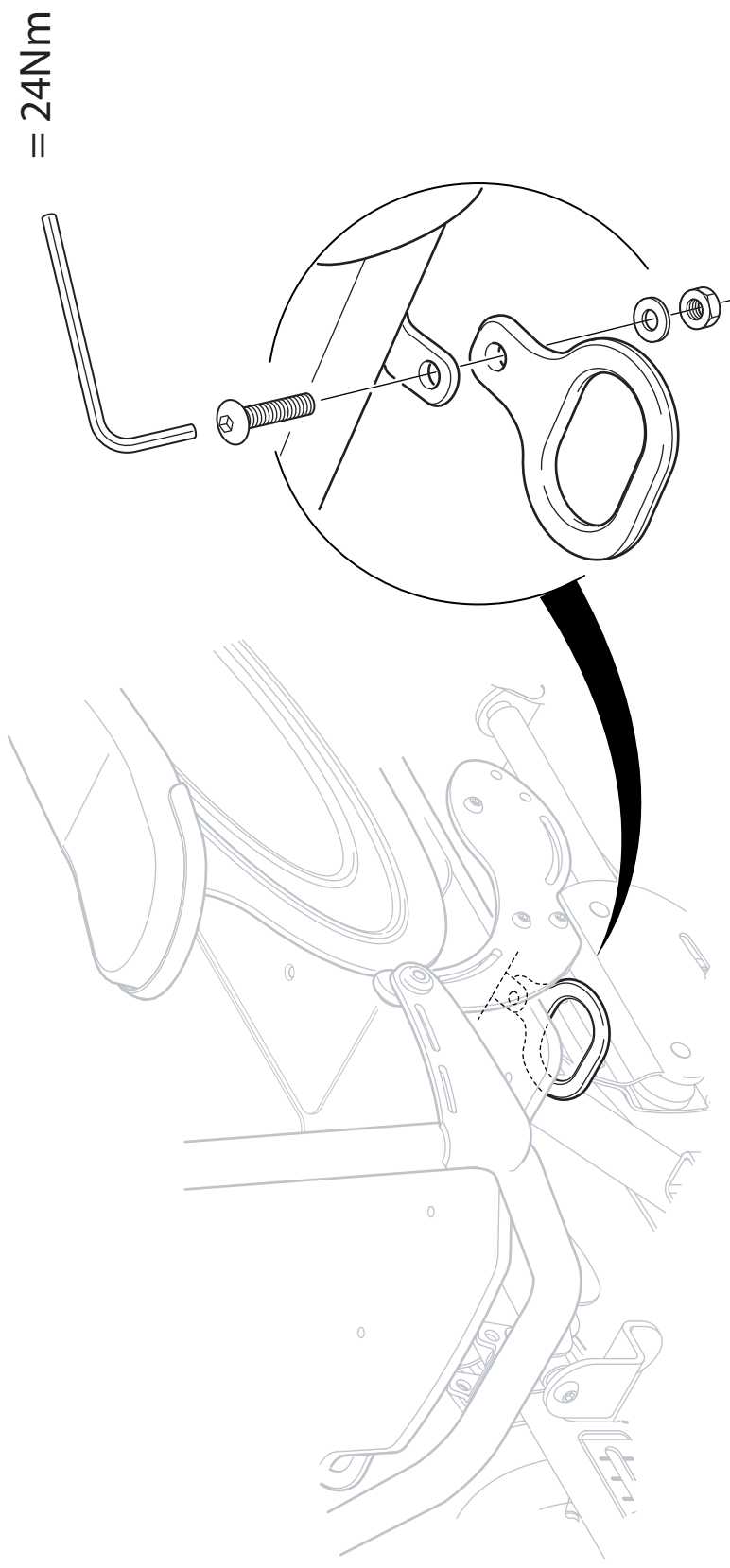
Mounting instructions Rear wheel plate

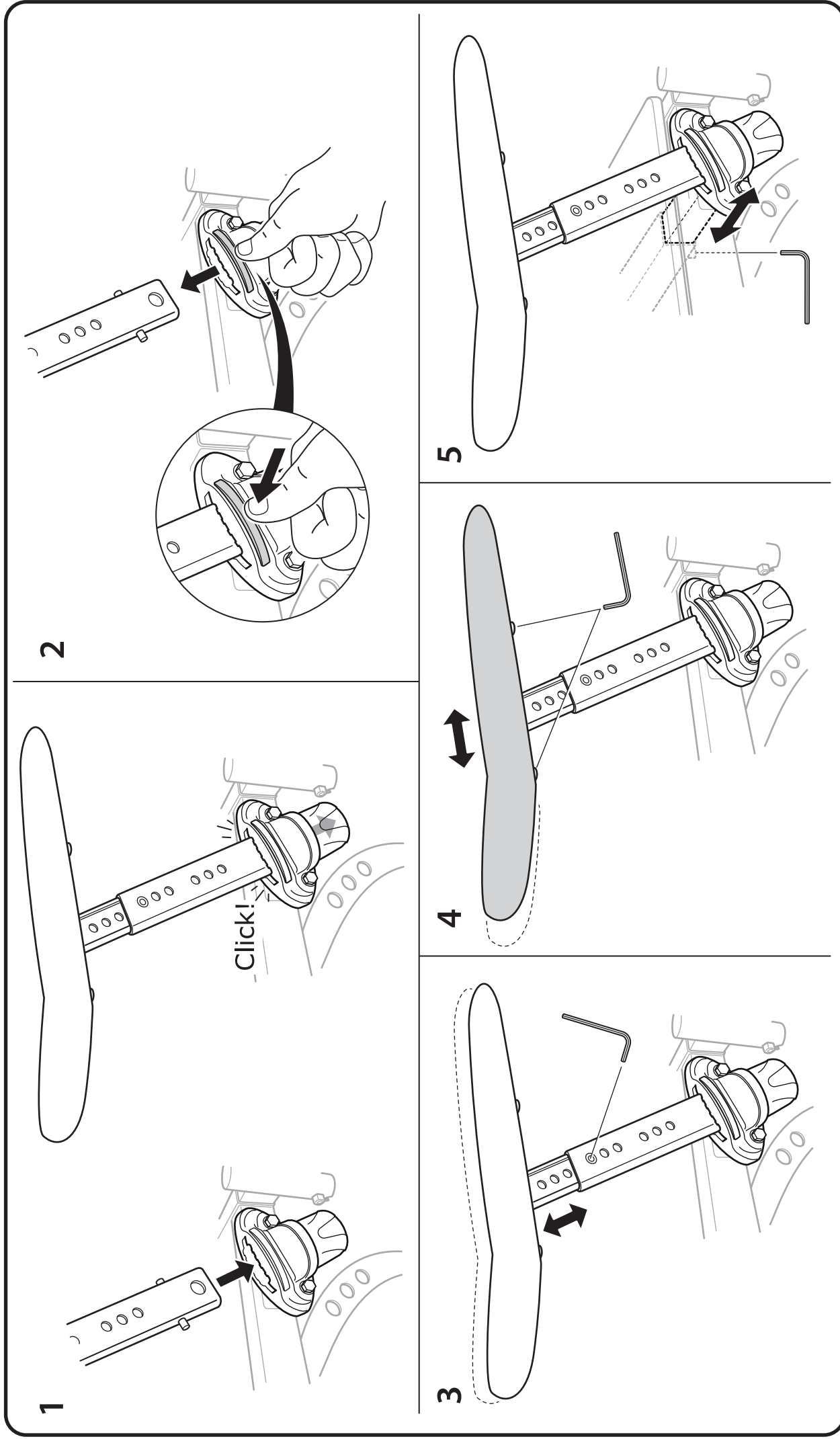


Mounting instructions
Width extension backrest



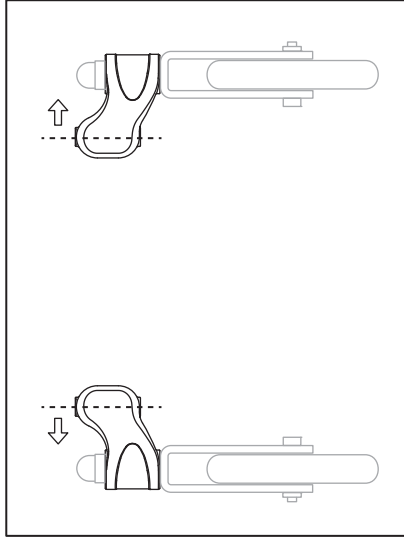
Mounting instructions
Transport attachment, rear



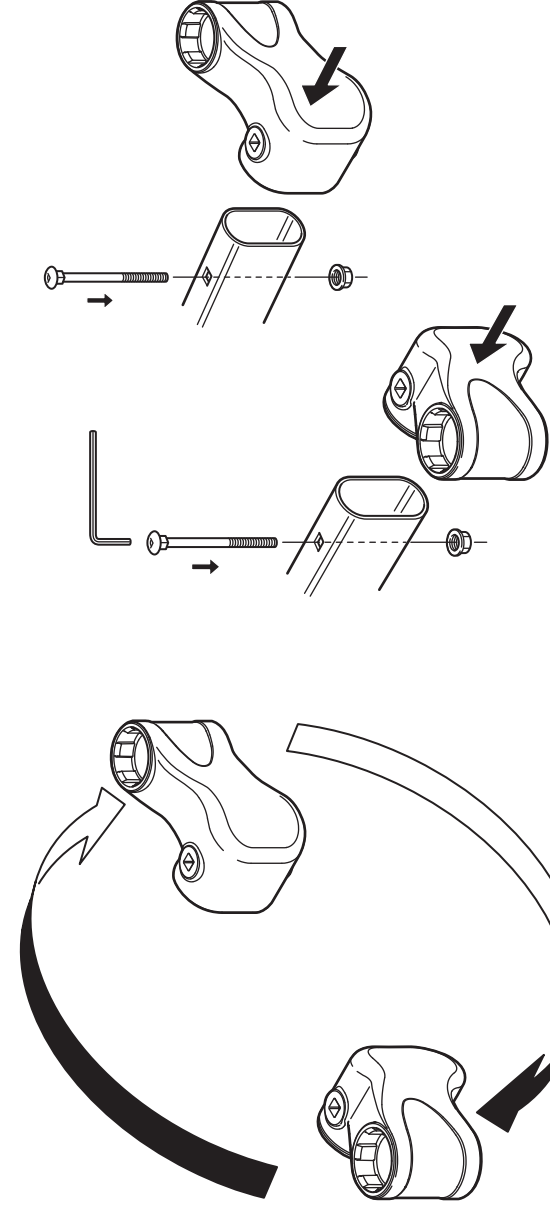
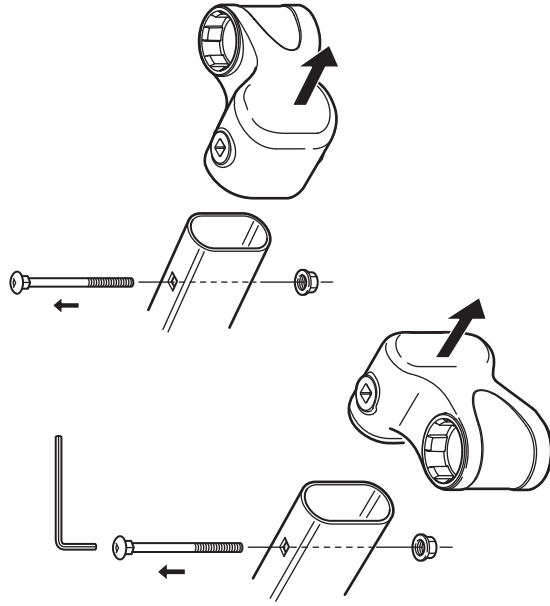
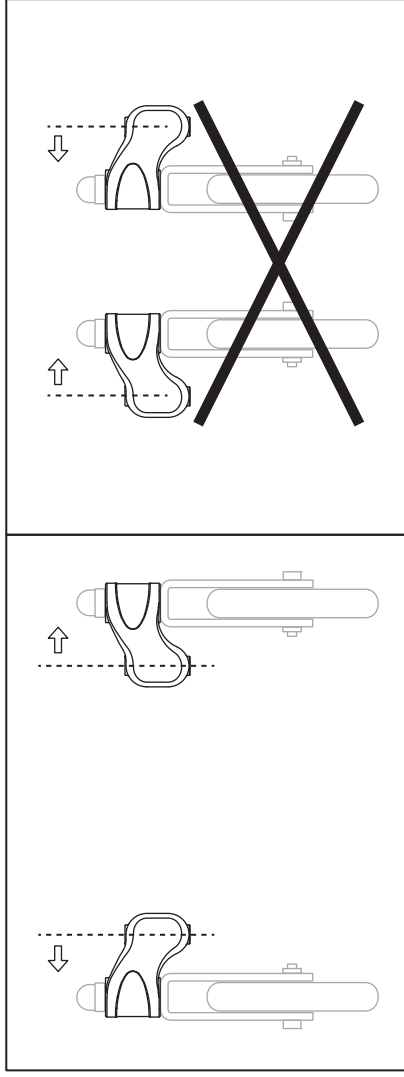


Mounting instructions Castor attachment

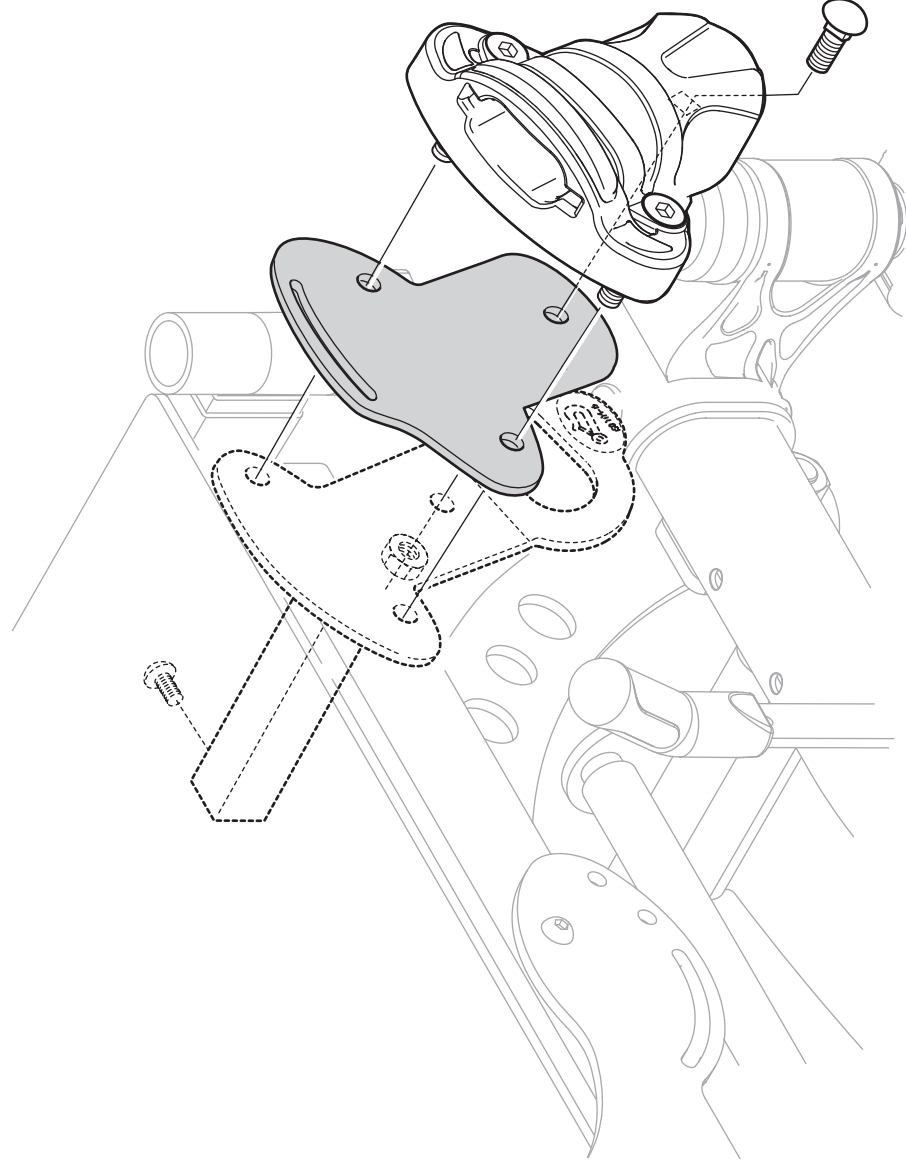
1



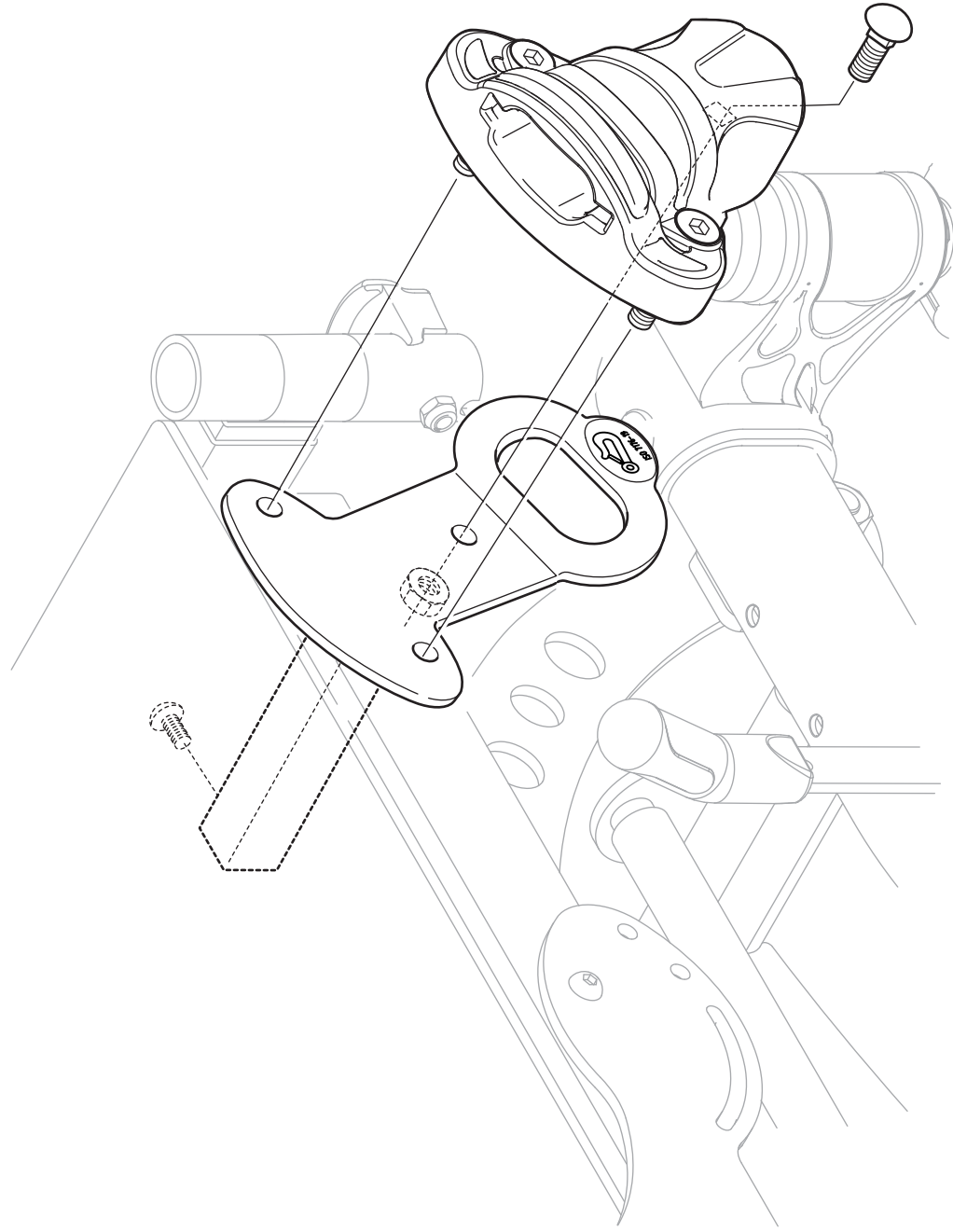
2

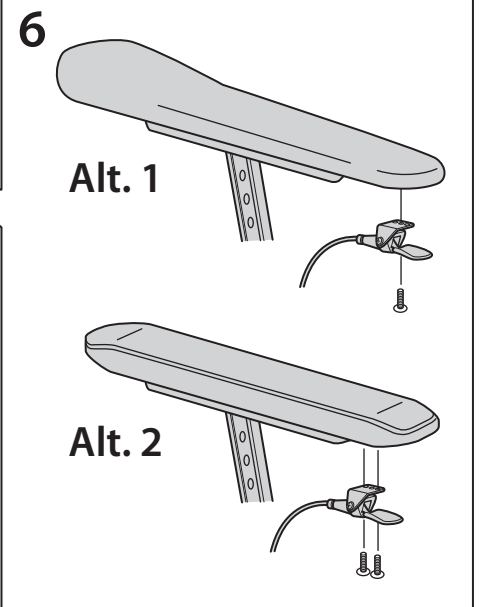
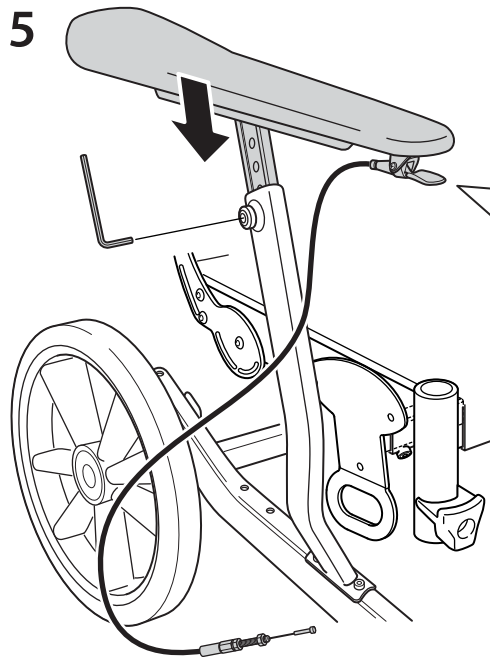
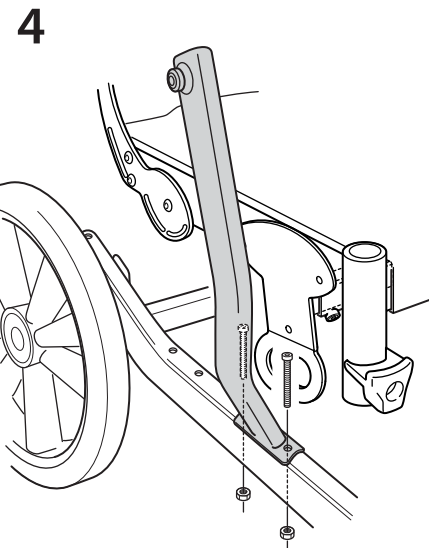
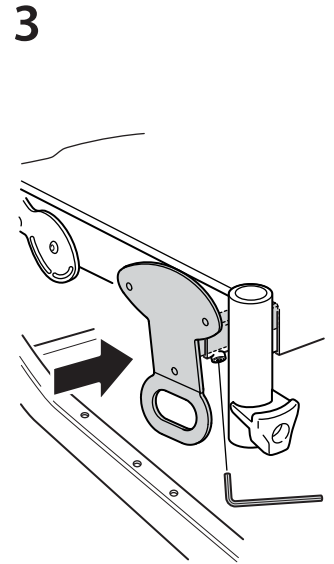
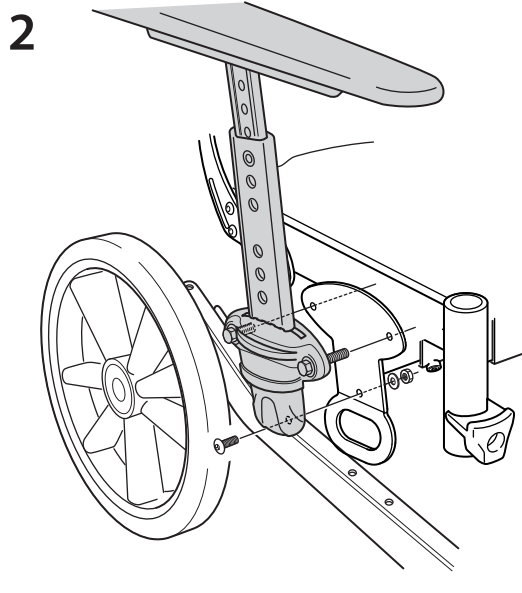
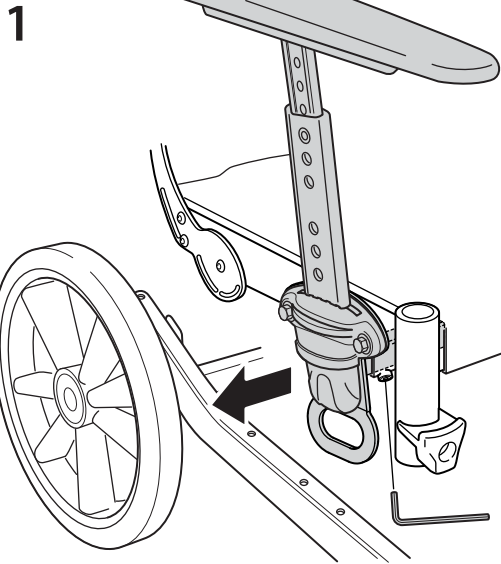


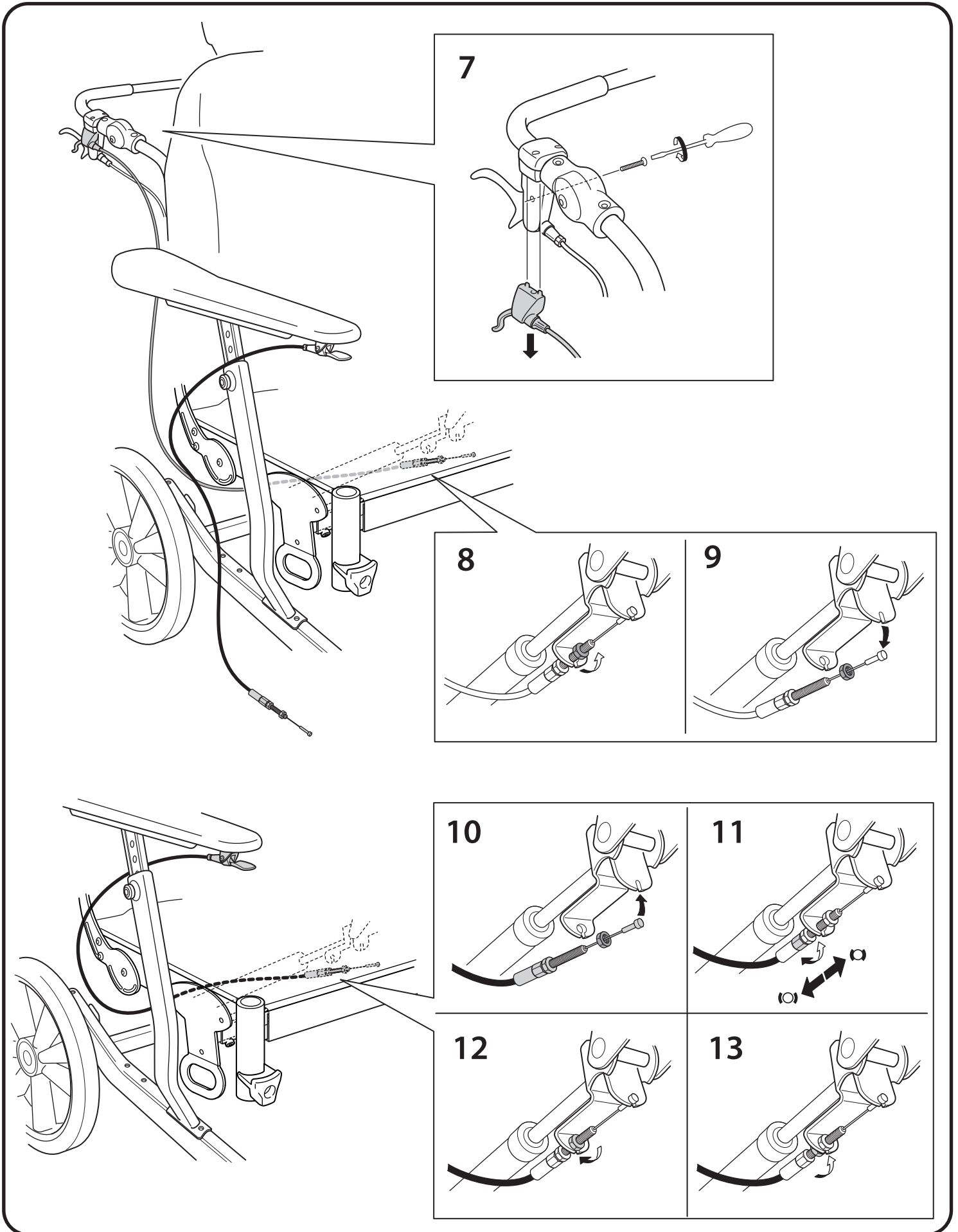
Mounting instructions
Attachment positioning belt, front



Mounting instructions Armrest/Transport attachment

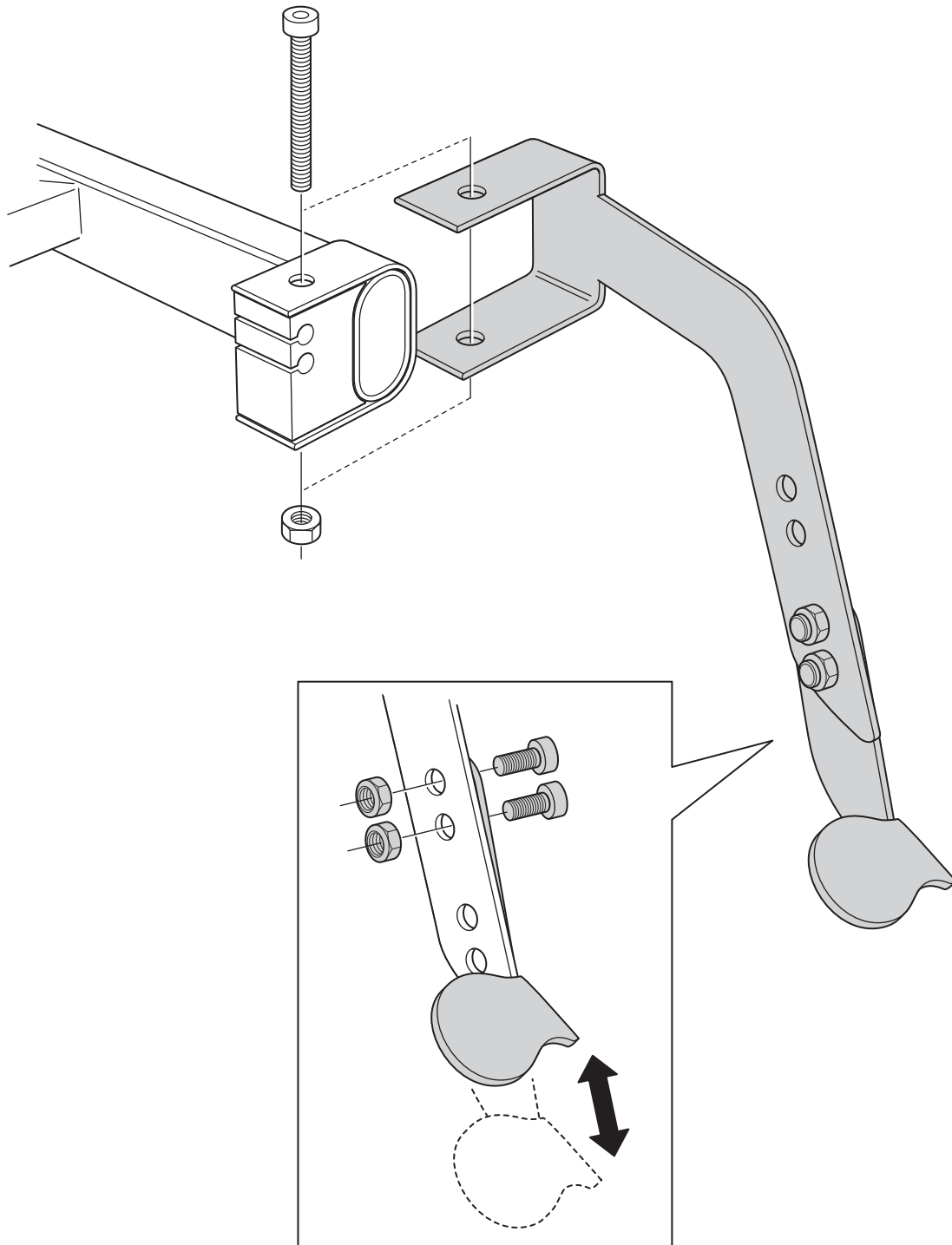


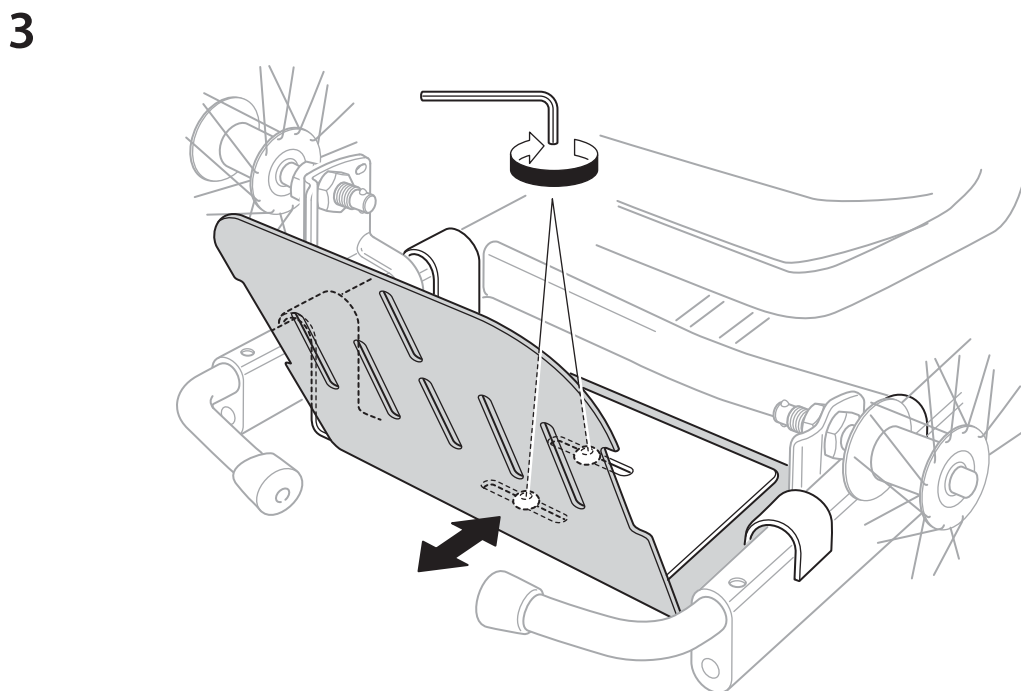
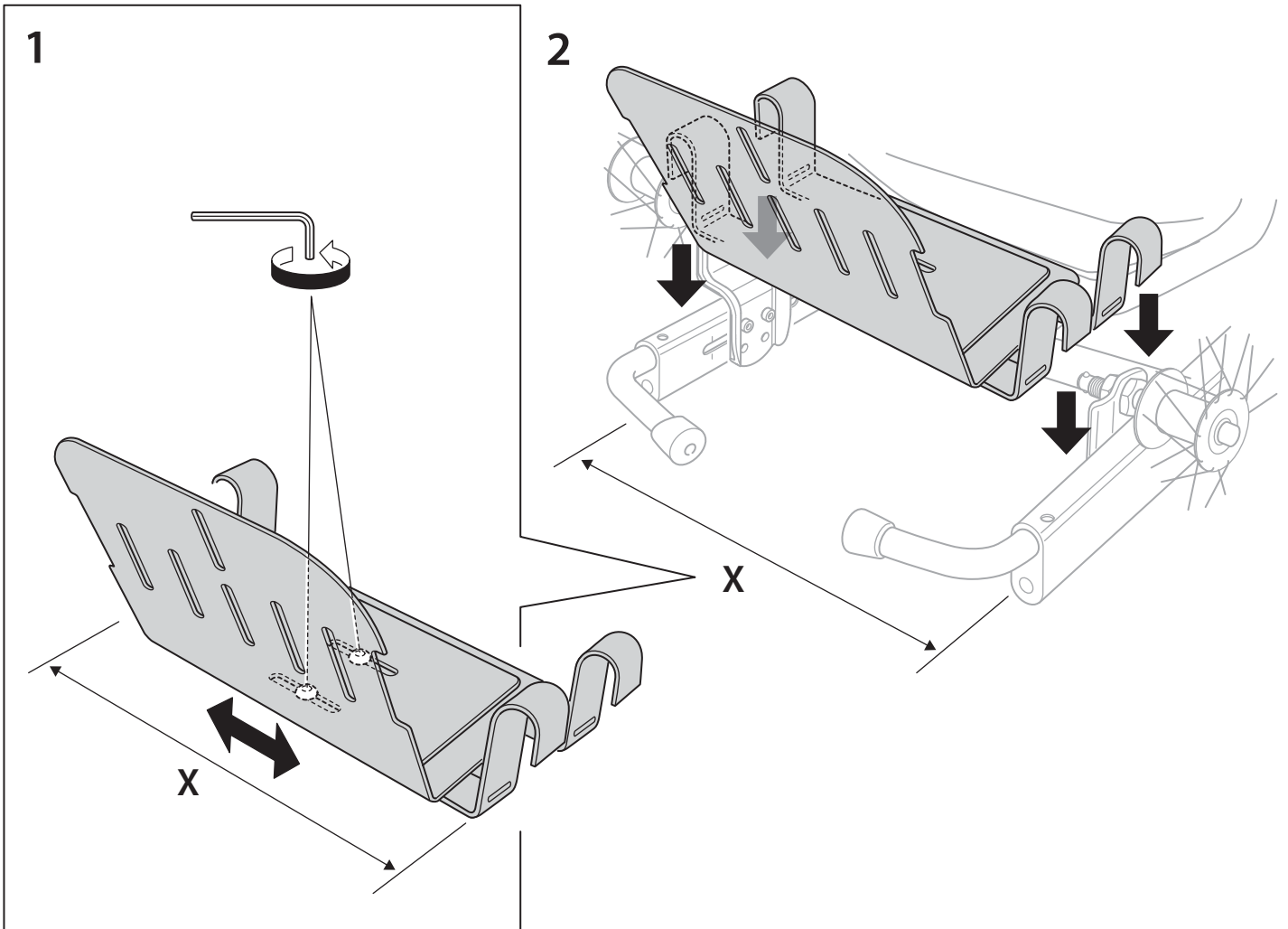




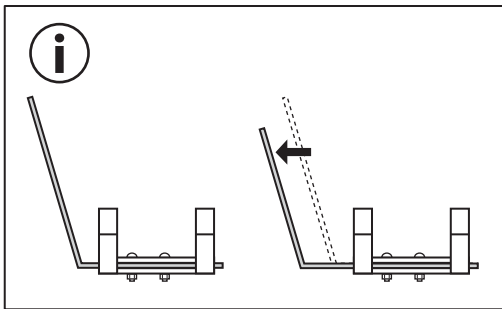
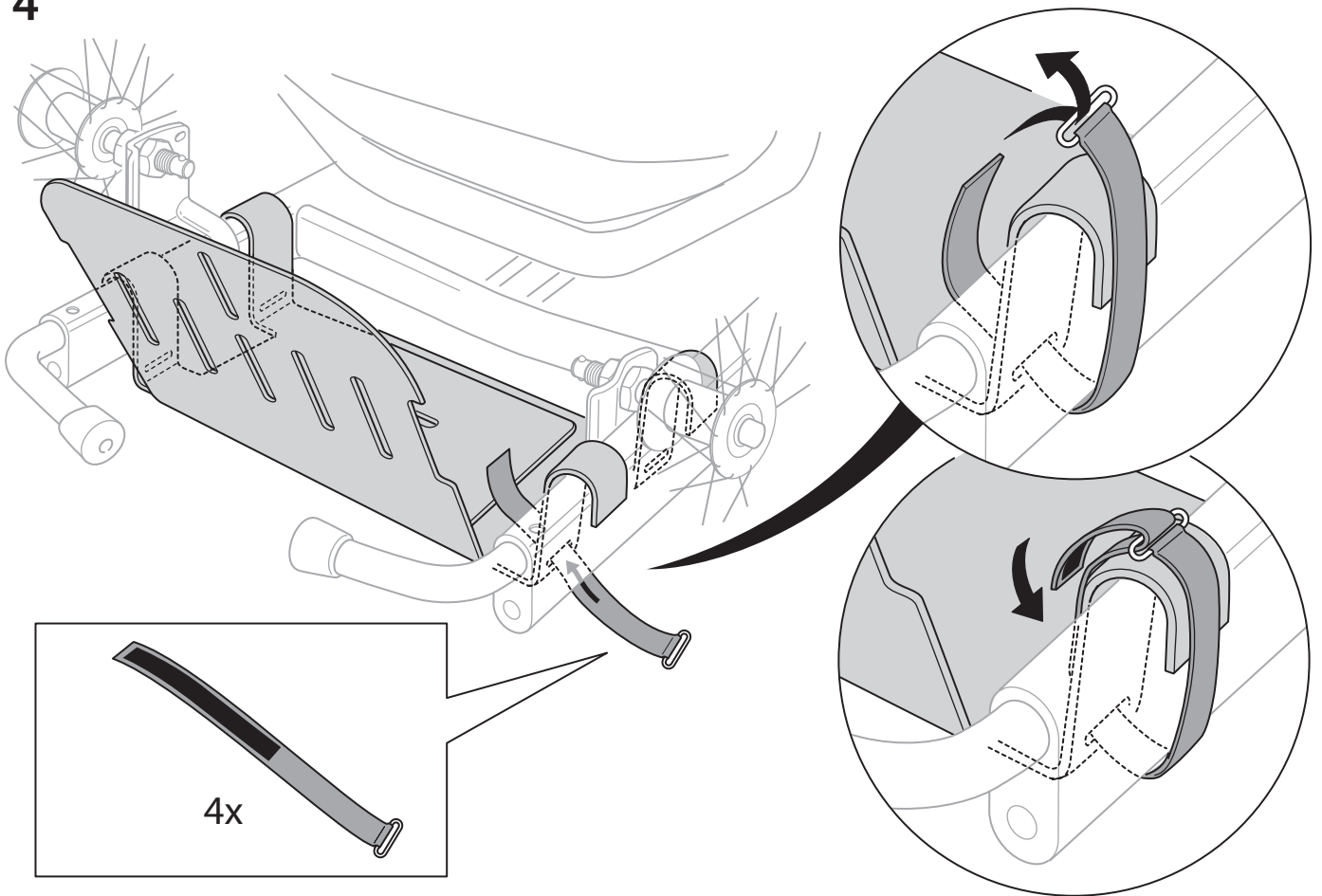
Mounting instructions

Kerb lever

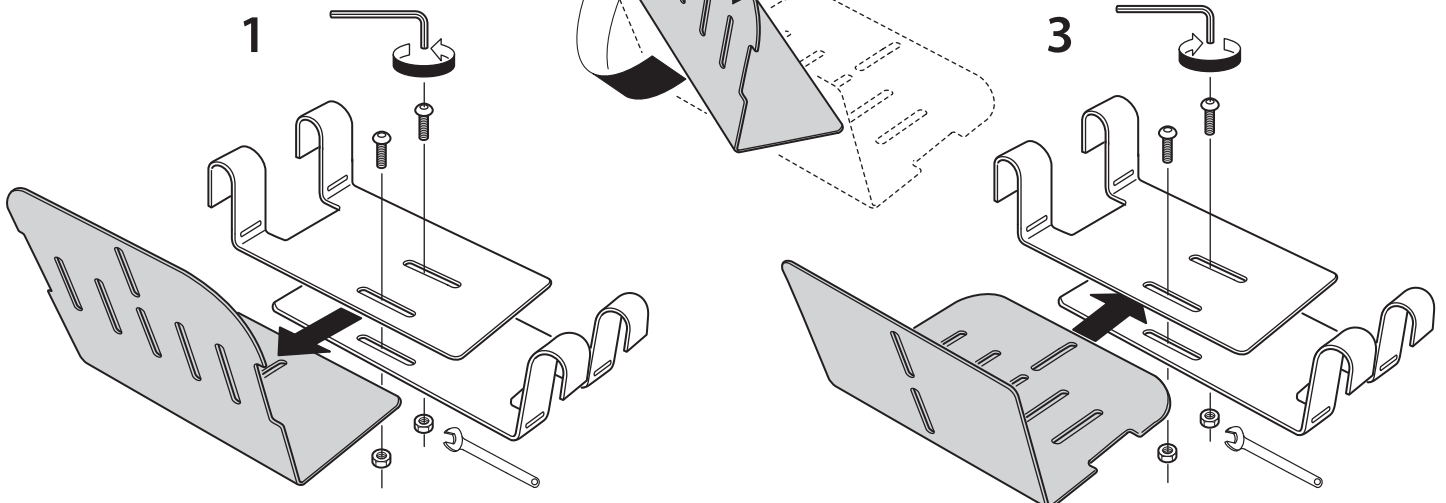


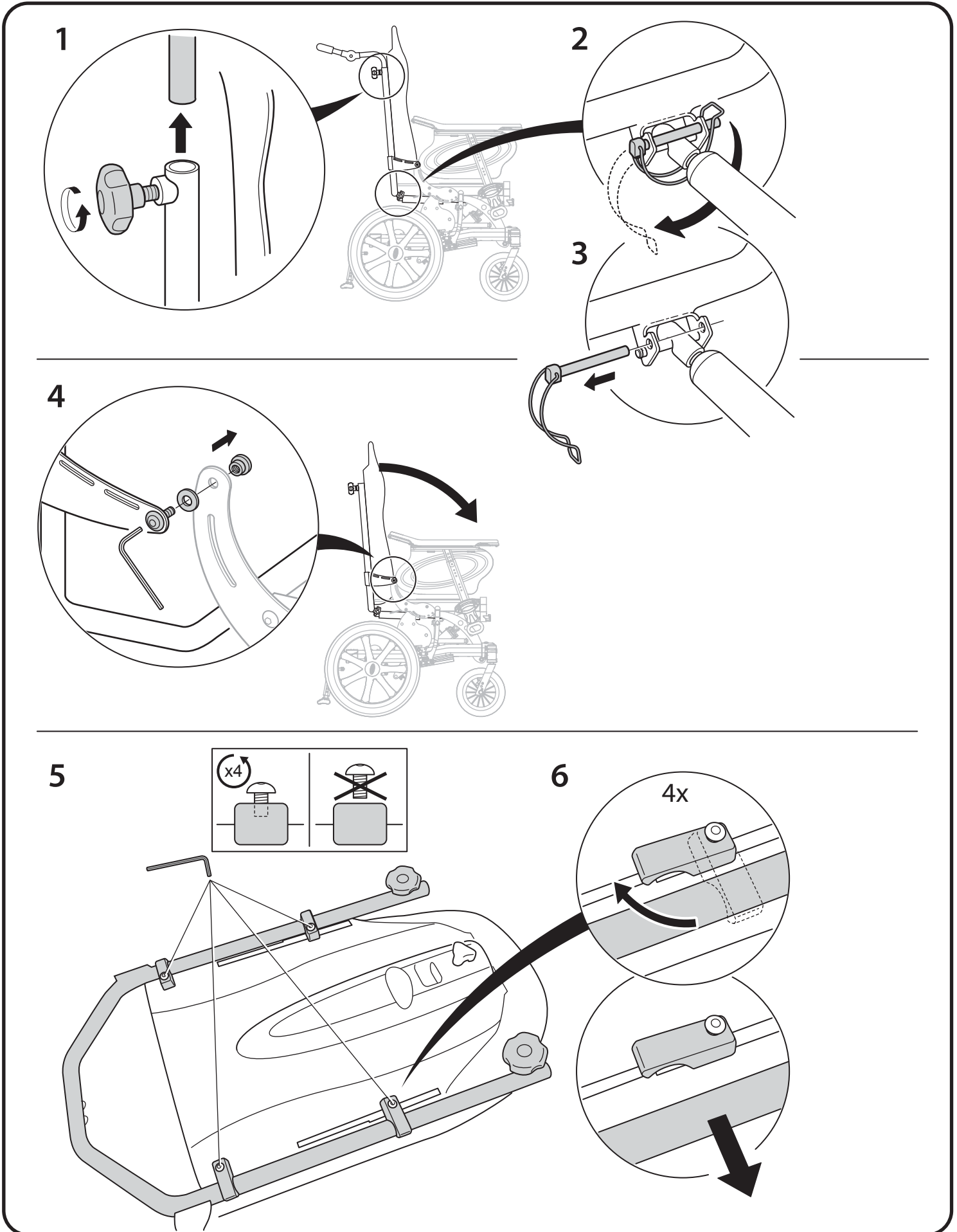


4

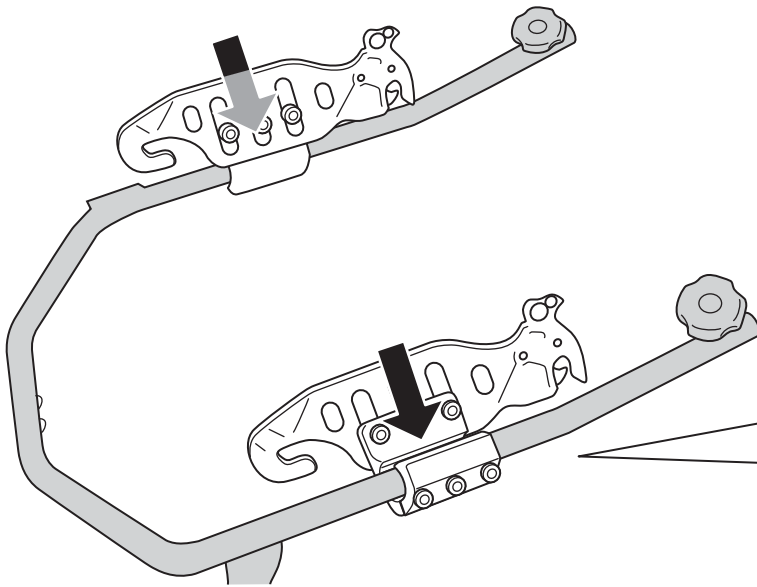


2

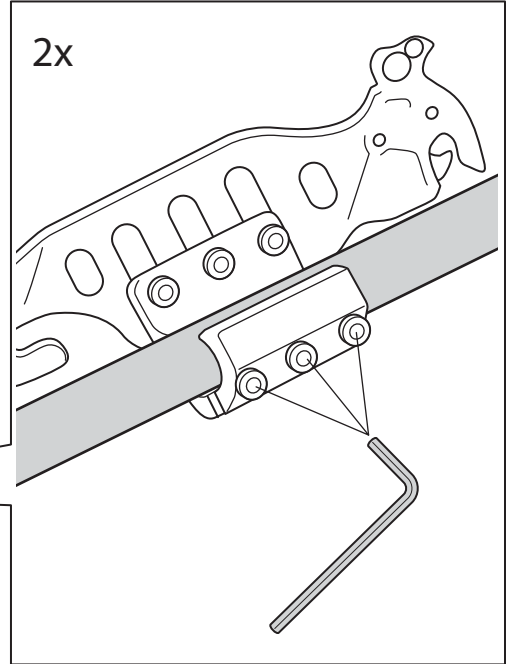




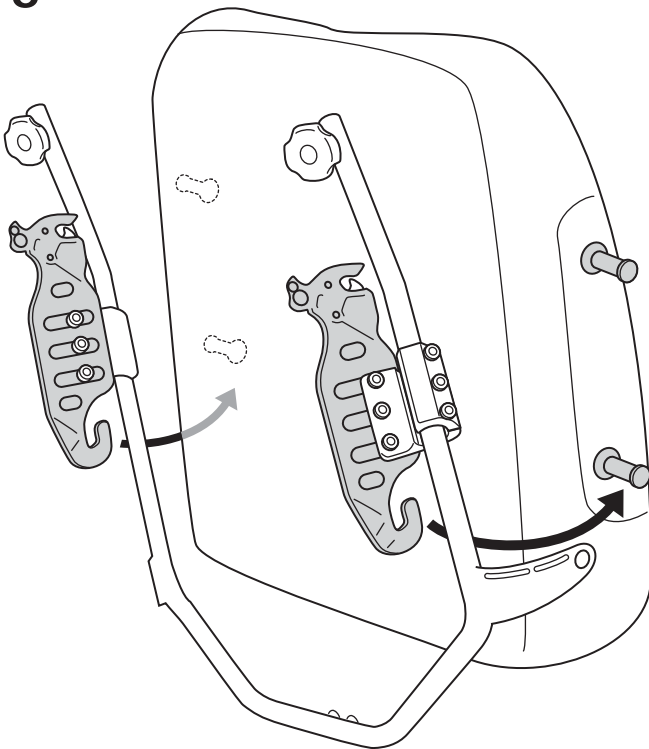
7



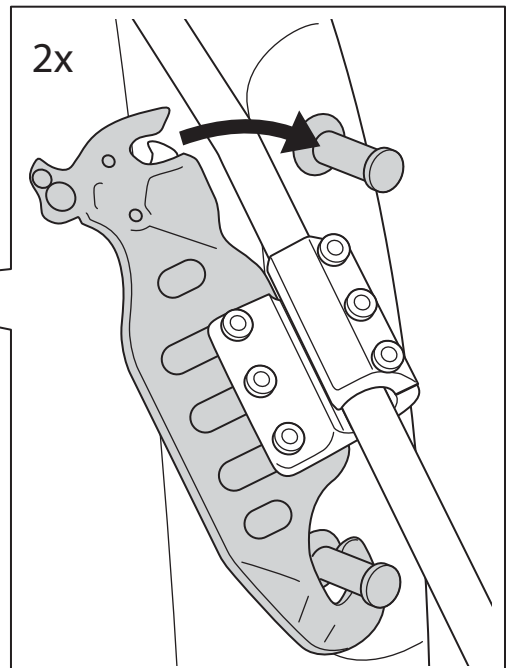
2x



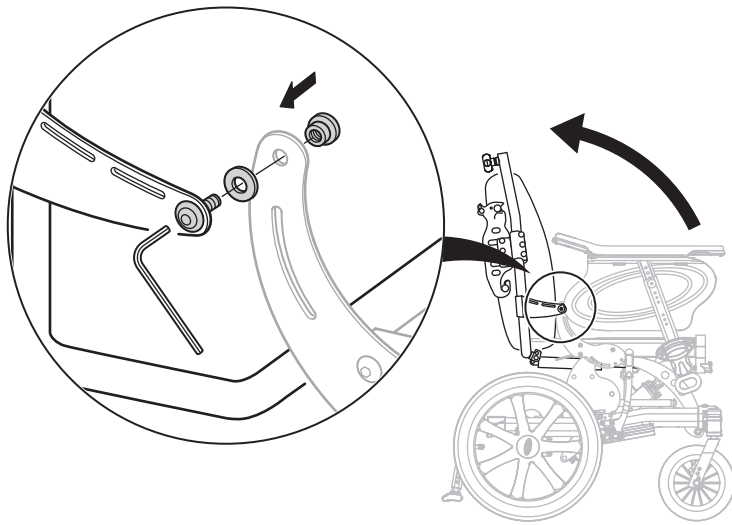
8



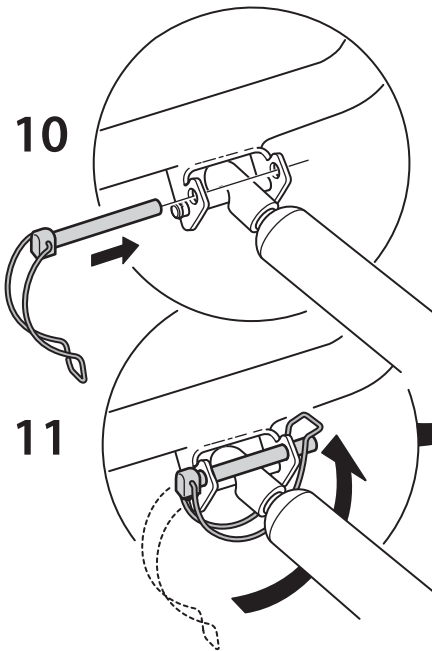
2x



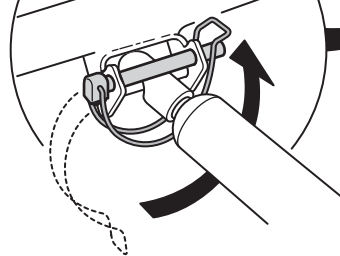
9



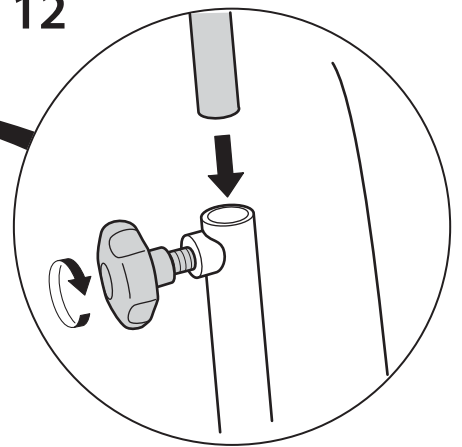
10



11



12

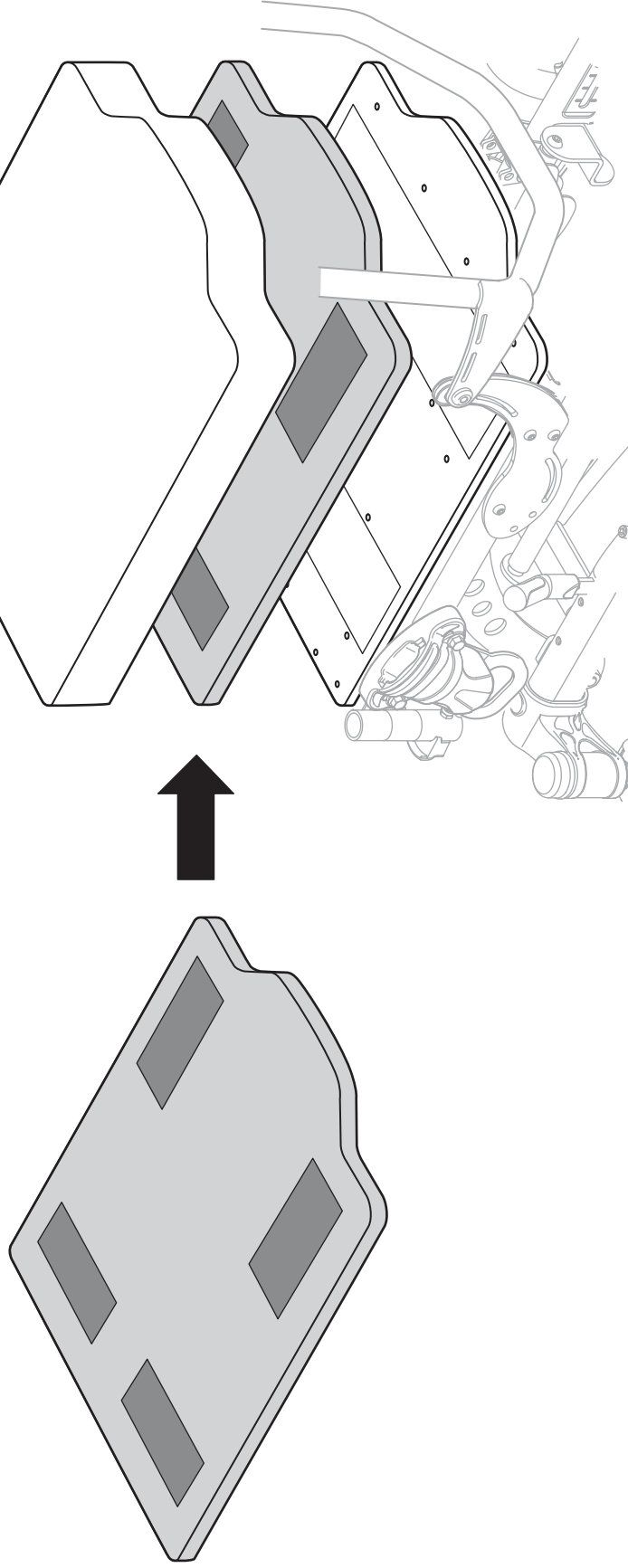




Yes, you can.®

Mounting instructions Height extension seat plate

2014.05.14-1

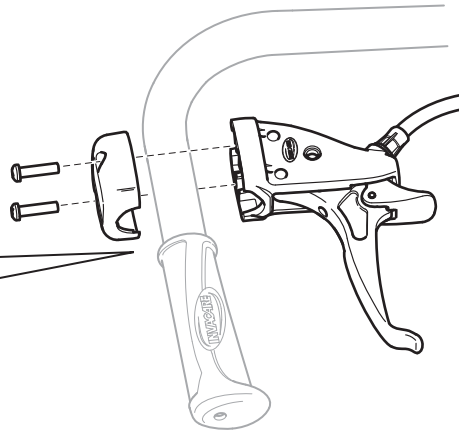
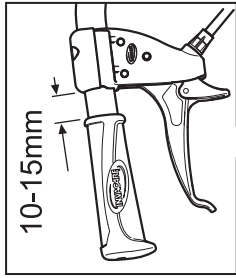


INVACARE® REA® AB
Växjövägen 303, 343 75 Diö, Sweden
www.invacare-rea.com

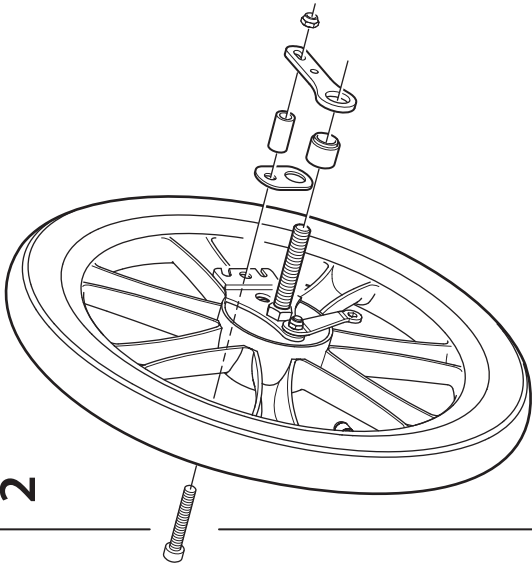
Art.no. 1574435

Mounting instructions Drumbrake, assistant operated, 16" wheel

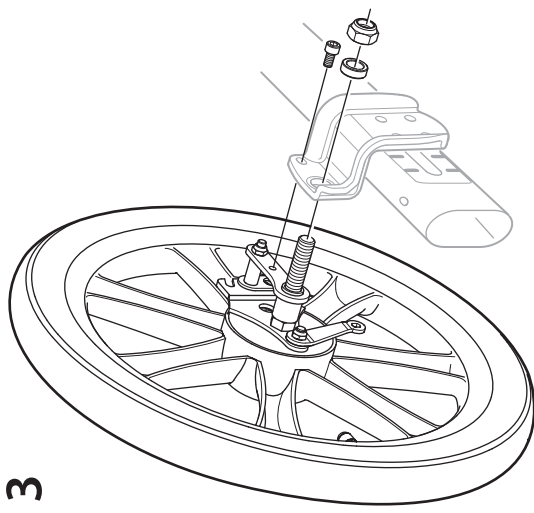
1



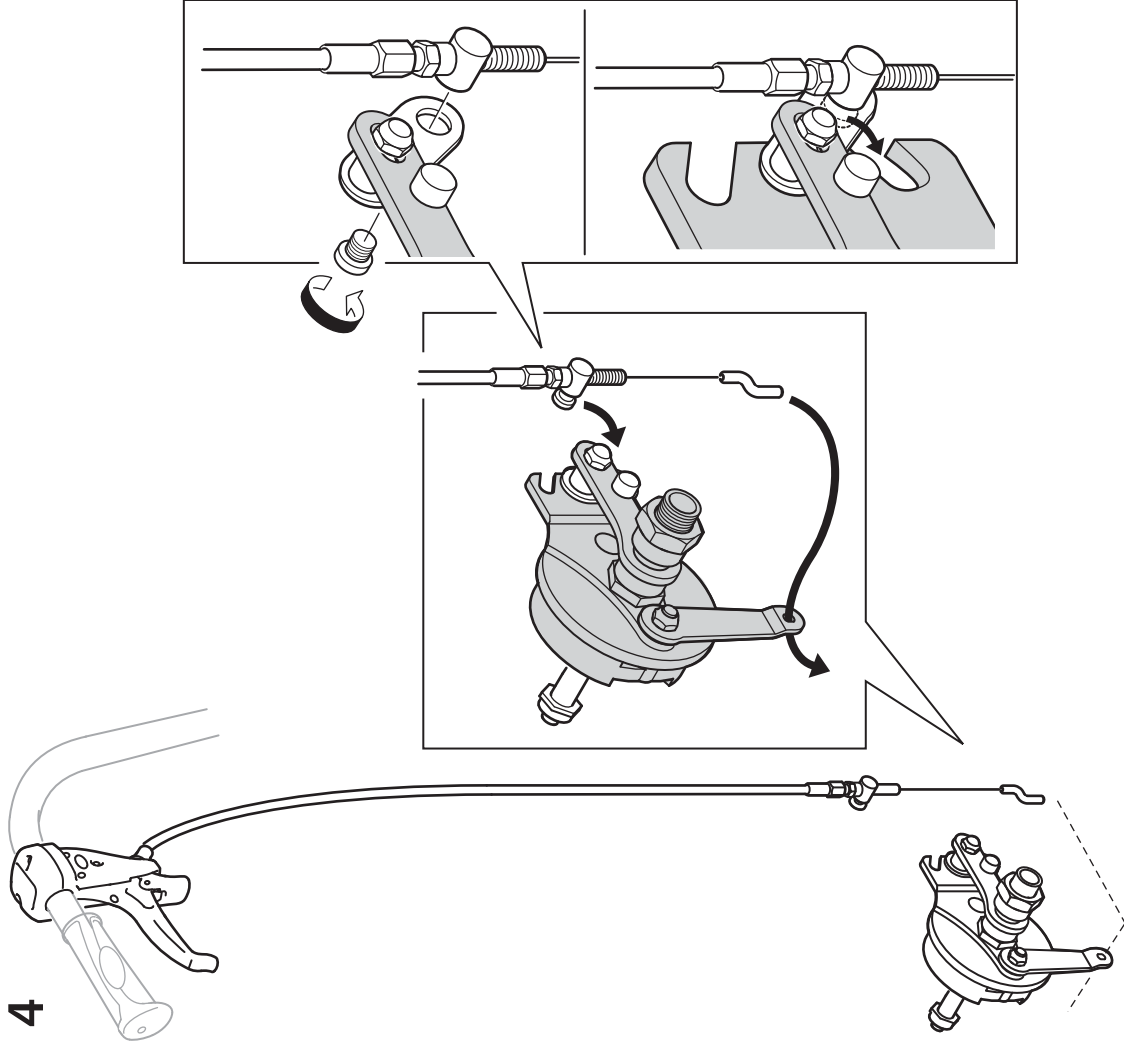
2



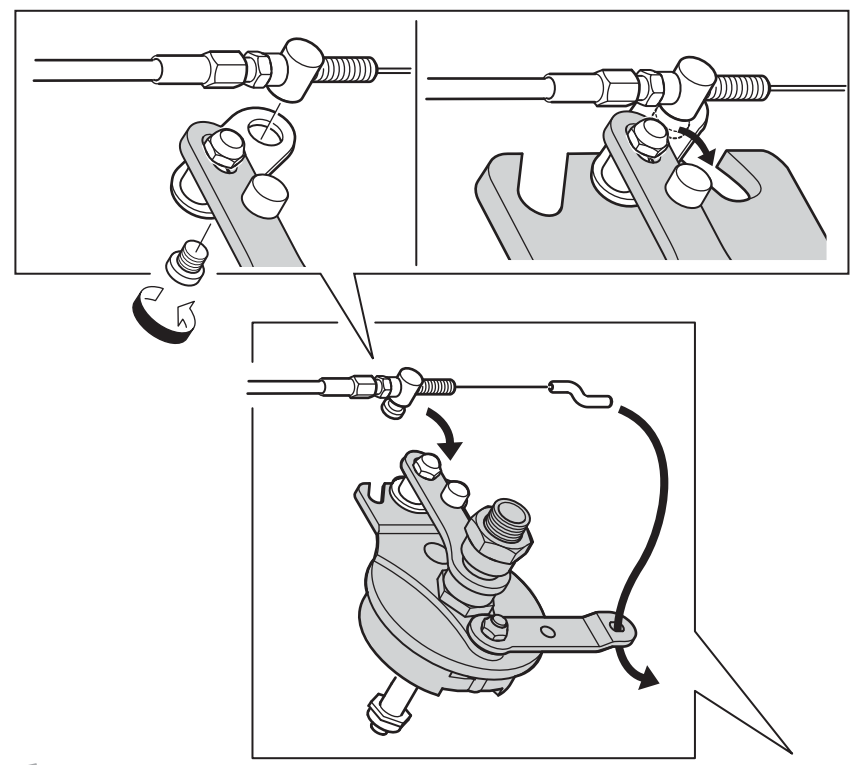
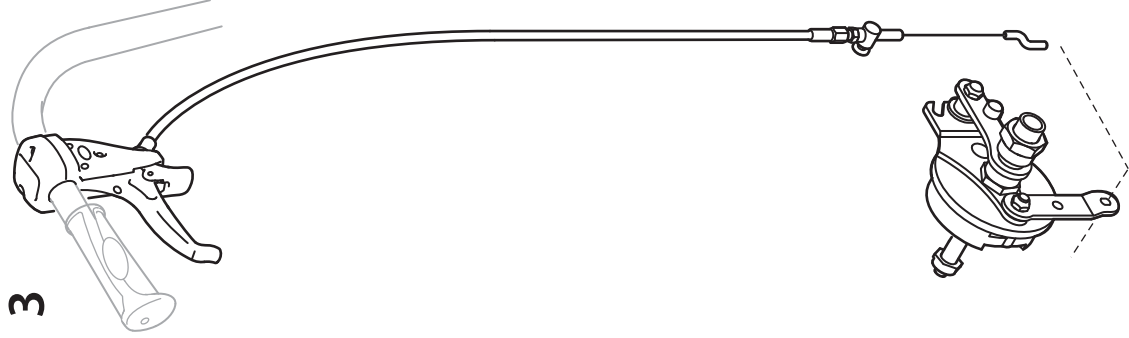
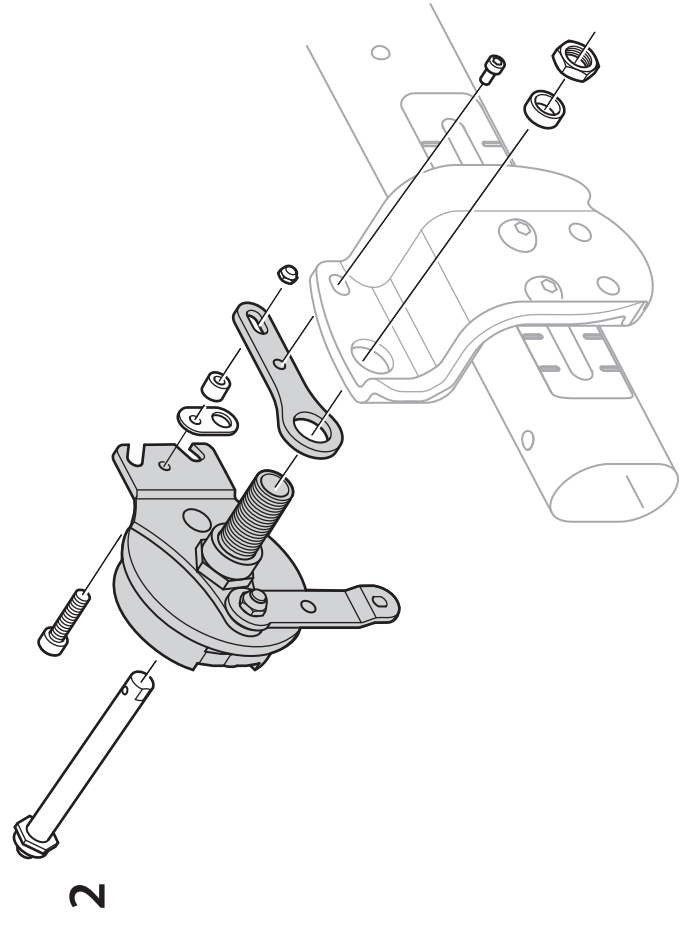
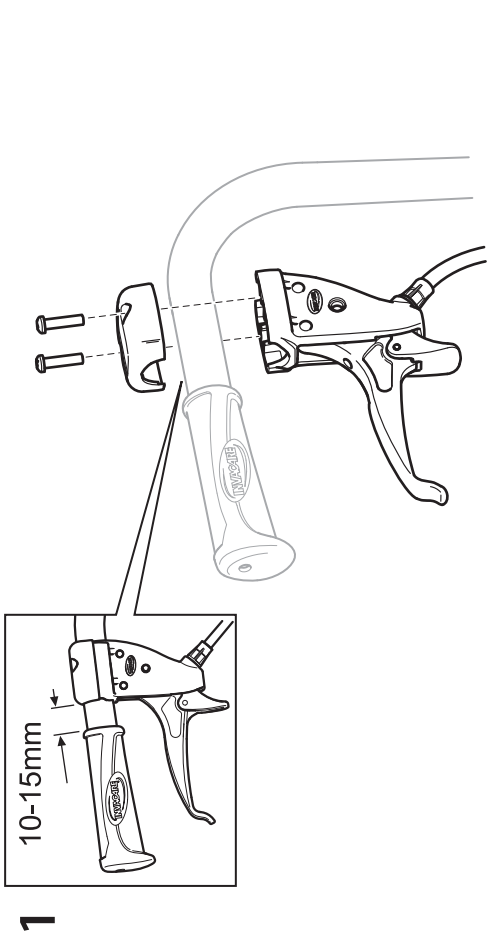
3



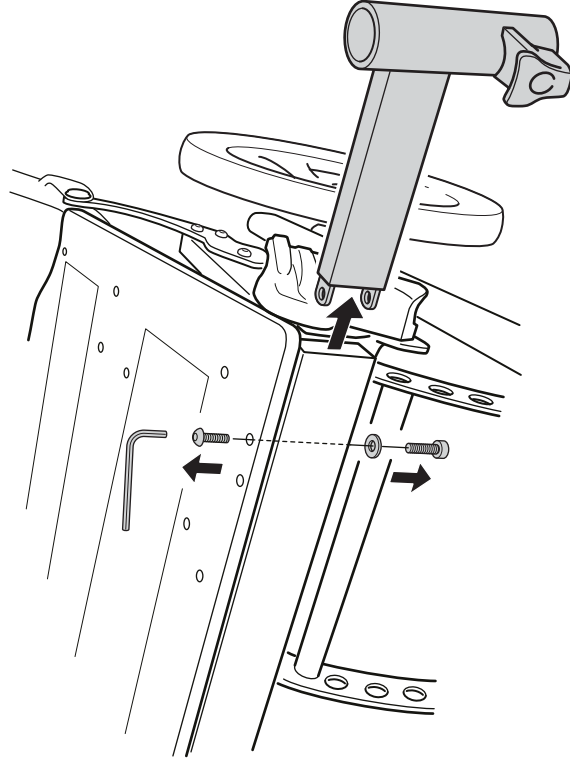
4



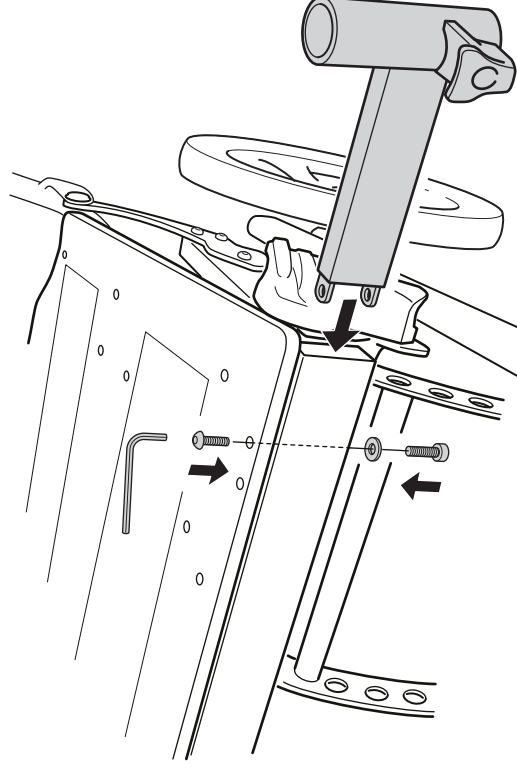
Mounting instructions Drumbrake, assistant operated, 22" -24" wheel



1

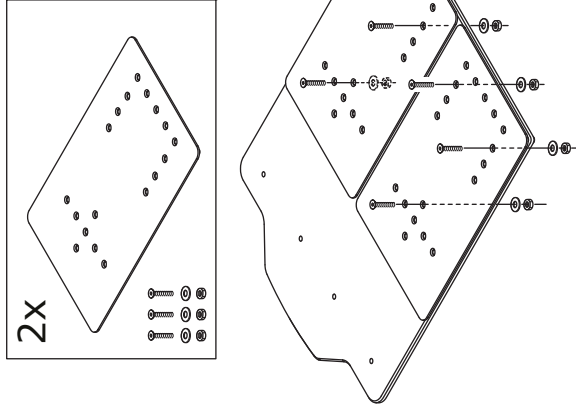


2

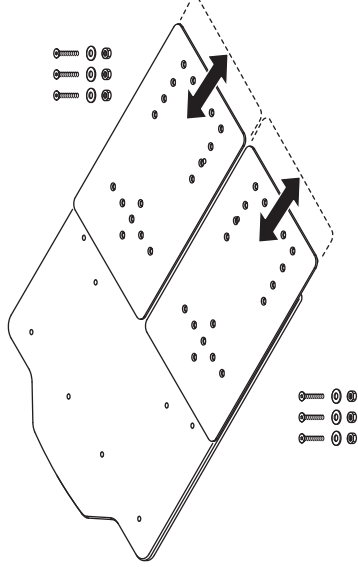


Mounting instructions
Width extension kit seat plate

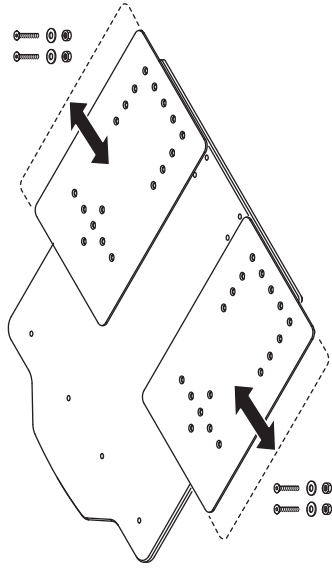
1



2



3



4

