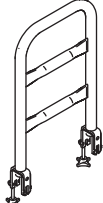
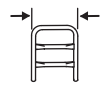
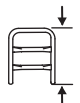
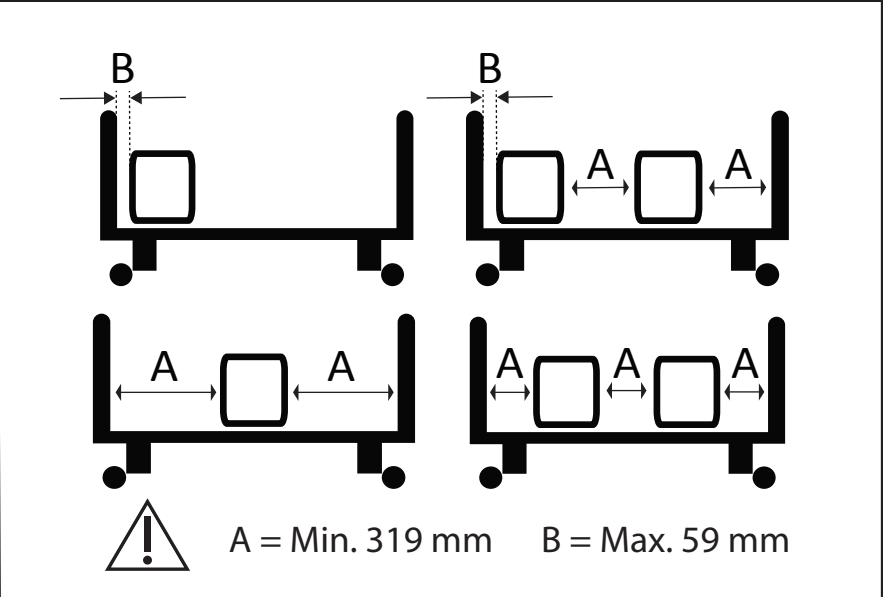
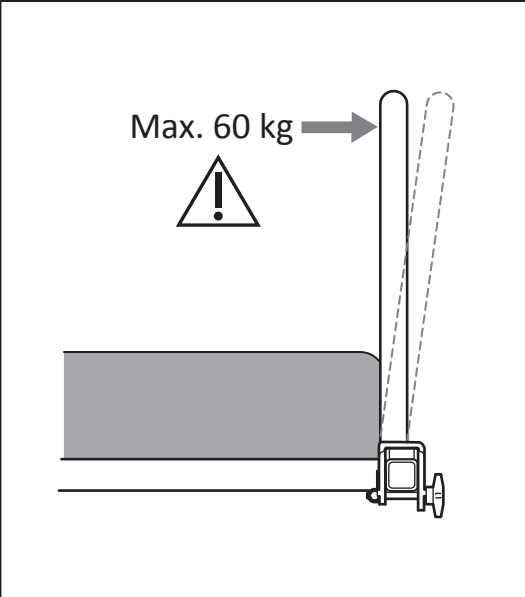
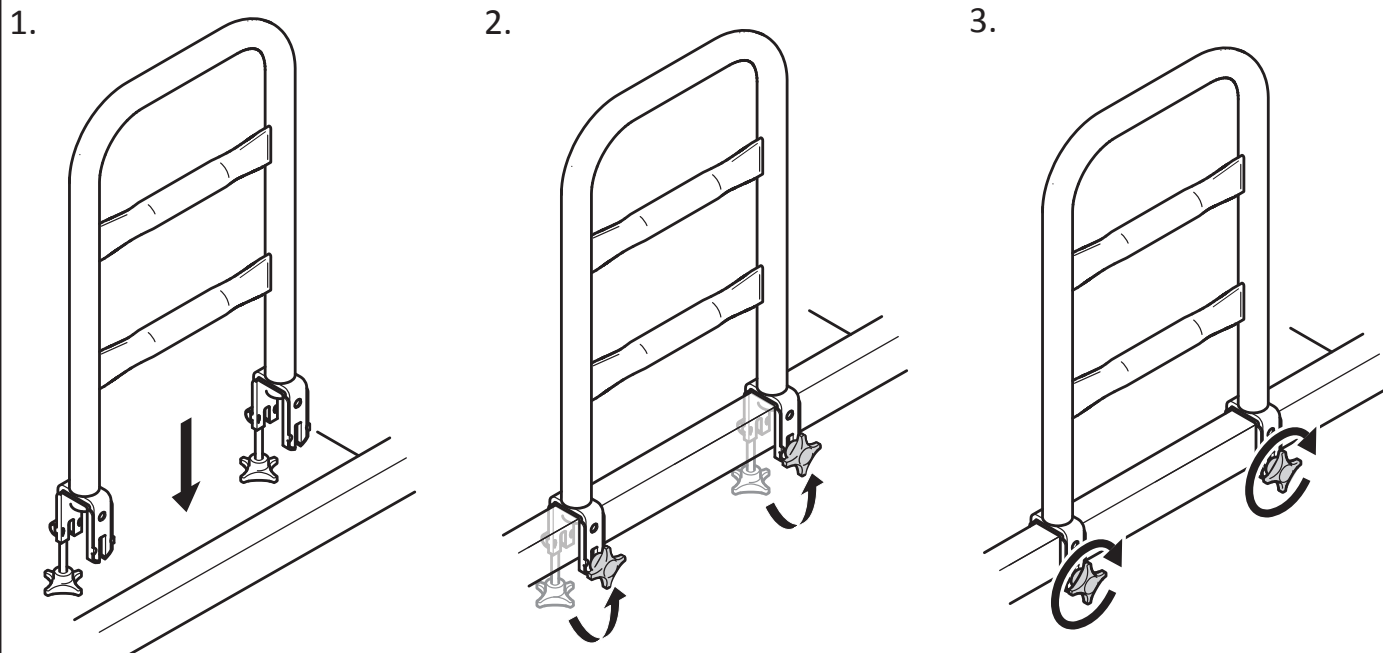


Support Handle for Invacare® SB755 / SB750

				
	Part Number	Width	Depth	Height
1417510-0154	80 cm	25 cm		
1417511-0154	30 cm	40 cm		
1417512-0154	80 cm	40 cm		
021963-0154	50 cm	40 cm		
021964-0154	30 cm	25 cm		



Invacare REA AB
 Växjövägen 303
 SE-343 71 Diö
 Sweden

