

Operator's Manual

Platinum[™]



**Oxygen Concentrators Standard,
with SensO₂[®] and HomeFill[™]**

**Model IRC5LXAW
Model IRC5LXO2AW
Model IRC5LXO2AWQ
Model IRC9LXO2AWQ**

Dealer: This manual must be given to the end user.

User: Before using this concentrator, read this manual and save for future reference.

**For more information regarding
Invacare products, parts, and services,
please visit www.invacare.com**



Yes, you can.

⚠ WARNING

DO NOT OPERATE THIS EQUIPMENT WITHOUT FIRST READING AND UNDERSTANDING THIS MANUAL. IF YOU ARE UNABLE TO UNDERSTAND THE WARNINGS, CAUTIONS, AND INSTRUCTIONS, CONTACT INVACARE TECHNICAL SERVICES BEFORE ATTEMPTING TO USE THIS EQUIPMENT - OTHERWISE SERIOUS INJURY OR PROPERTY DAMAGE MAY RESULT.

ACCESSORIES

There are many different types of humidifiers, oxygen tubing, cannulas and masks that can be used with this device. You should contact your local home care provider for recommendations on which of these devices will be best for you. They should also give you advice on the proper usage, maintenance, and cleaning.

⚠ WARNING

Invacare products are specifically designed and manufactured for use in conjunction with Invacare accessories. Accessories designed by other manufacturers have not been tested by Invacare and are not recommended for use with Invacare products.

NOTE: Updated versions of this manual are available on www.invacare.com.

TABLE OF CONTENTS

ENGLISH

SPECIAL NOTES	9
RECYCLING INFORMATION	10
SECTION 1—GENERAL GUIDELINES	11
Maintenance.....	13
Radio Frequency Interference.....	13
To Reduce The Risk Of Burns, Electrocution, Fire Or Injury To Persons.....	13
Oxygen Concentration.....	15
SECTION 2—FEATURES	16
SECTION 3—SHIPPING AND HANDLING	17
Unpacking.....	17
Inspection.....	17
Storage.....	17
SECTION 4—TYPICAL PRODUCT PARAMETERS	19
SECTION 5—OPERATING INSTRUCTIONS	24
Introduction.....	24
Select a Location	24
Recommended Guidelines for Optimum Performance.....	25
Plug in Power Cord	25
Connect Humidifier (If So Prescribed).....	26
Power Switch	29
Flowrate.....	30
SensO ₂ Oxygen Purity Indicators (LX O ₂ Sensor Model).....	31
Indicators (LX Model).....	32
Main Power Loss Alarm System	32
Elapsed Time Meter (Hour Meter)	32

SECTION 6—MAINTENANCE.....	33
Routine Maintenance	33
SECTION 7—TROUBLESHOOTING GUIDE.....	37
LIMITED WARRANTY	39
SPECIELLE BEMÆRKNINGER	42
GENBRUGSINFORMATION	43
AFSNIT 1—GENERELLE RETNINGSLINJER.....	44
Vedligeholdelse	46
Radiofrekvensinterferens.....	46
Sådan minimeres risikoen for forbrændinger, elektriske stød, brand eller personskader	47
Iltkoncentration	48
AFSNIT 2—FUNKTIONER	49
AFSNIT 3—FORSENDELSE OG HÅNDBTERING	50
Udpakning	50
Inspektion.....	50
Opbevaring	51
AFSNIT 4—TYPISKE PRODUKTPARAMETRE	52
AFSNIT 5—BETJENING.....	57
Indledning.....	57
Vælg et placeringssted.....	57
Anbefalede retningslinjer for optimal ydelse	58
Sæt netledningen i	58
Tilslut befugter (hvis dette er foreskrevet).....	59
Afbryderkontakt	62
Flowhastighed.....	63
SensO ₂ -indikatorer for iltrenhed (sensormodel LX O ₂).....	64
Indikatorer (model LX).....	65

Alarmsystem for tab af netstrøm	66
Tæller for forløbet tid (timetæller)	66
AFSNIT 6—VEDLIGEHOELSE.....	67
Rutinevedligeholdelse	67
AFSNIT 7—FEJLFINDING	71
BEGRÆNSET GARANTI	73
SÄRSKILDA ANMÄRKNINGAR	76
ÅTERVINNINGSGENOMGÅENDE INFORMATION	77
AVSNITT 1— ALLMÄNNA RIKTLINJER	78
Underhåll.....	80
Radiofrekvent störning.....	80
Minska risken för brännskador, livsfarliga elektriska stötar, brand eller personsador	81
Syrgaskoncentration	82
AVSNITT 2— FUNKTIONER.....	83
AVSNITT 3— TRANSPORT OCH HANTERING ..	84
Packa upp	84
Inspektion.....	84
Förvaring	85
AVSNITT 4— VANLIGA	
PRODUKTPARAMETRAR.....	86
AVSNITT 5— BRUKSANVISNING.....	92
Introduktion.....	92
Välj en plats.....	92
Rekommenderade förhållanden för optimal funktion.....	93
Anslut nätkabeln	94
Anslut befuktaren (om detta är ordinerat)	94
Strömbrytare.....	97

TABLE OF CONTENTS

Flødes hastighet.....	98
SensO ₂ Indikatorlampor för renheten i syret (LX O ₂ Sensor-modell)	99
Indikatorlampor (LX-modell)	100
Larmsystem för större energiförluster	101
Tidräknare (timmätare)	101
AVSNITT 6— UNDERHÅLL	102
Rutinunderhåll	102
AVSNITT 7—FELSÖKNINGSGUIDE.....	106
BEGRÄNSAD GARANTI	108
SPEIELLE MERKNADER	111
INFORMASJON OM GJENVINNING	112
AVSNITT 1—GENERELL VEILEDNING	113
Vedlikehold	115
Interferens fra radiofrekvent stråling.....	115
For å redusere faren for forbrenninger, elektrisk støt, brann eller personskaade	116
Oksygenkonsentrasjon.....	117
AVSNITT 2—PRODUKTEGENSKAPER	118
AVSNITT 3—FORSENDELSE OG HÅNDTERING I 19	
Utpakking	119
Inspeksjon.....	119
Oppbevaring	120
AVSNITT 4—TYPIISKE PRODUKTPARAMETRE I 21	
AVSNITT 5—BETJENINGSANVISNING	126
Innledning	126
Finn et sted	126
Anbefalt veiledning for å få optimal ytelse.....	127

Sett in støpselet	127
Kople til luftfukteren (hvis dette er forskrevet)	128
Spenningsbryter	131
Strømningshastighet.....	132
SensO ₂ indikatorer for oksygenrenhet (LX O ₂ Sensor-modellen).....	133
Indikatorer (LX-modellen)	134
Alarmsystem for nettspenningsutfall.....	135
Måler for medgått tid (timesmåler).....	135
AVSNITT 6—VEDLIKEHOLD.....	136
Rutinemessig vedlikehold	136
AVSNITT 7—FEILSØKINGSVEILEDNING.....	140
BEGRENSET GARANTI	142
ERIKOISHUOMAUTUKSET	145
KIERRÄTYSTIEDOT	146
OSA 1—YLEISET OHJEET	147
Huolto.....	149
Radiotaajuushäiriöt.....	149
Palovamma-, sähköisku-, tulipalo- ja ruumiinvammariskin pienentäminen	149
Happipitoisuus.....	151
OSA 2—OMINAISUUDET	152
OSA 3—KULJETUS JA KÄSITTELY	153
Pakkauksen purkaminen.....	153
Tarkistus.....	153
Varastointi.....	154
OSA 4—TYYPILLISET TUOTEPARAMETRIT	155
OSA 5—KÄYTTÖOHJEET	160

TABLE OF CONTENTS

Johdanto	160
Sijainnin valitseminen	160
Suosituksset parhaan mahdollisen suorituskyvyn varmistamiseen	161
Virtajohdon kytkeminen	161
Kostuttimen kytkeminen (jos määrätty)	162
Virtakytkin.....	164
Virtausnopeus.....	165
SensO ₂ hapen puhtauden ilmaisimet (LX O ₂ -anturimalli).....	166
Ilmaisimet (LX-malli).....	167
Pääverkkovirtakatkon hälytysjärjestelmä	167
Kuluneen ajan mittari (tuntimittari)	167
OSA 6—HUOLTO.....	168
Rutiinihuolto	168
OSA 7—VIANETSINTÄOPAS.....	171
RAJOITETTU TAKUU	173

SPECIAL NOTES

Signal words are used in this manual and apply to hazards or unsafe practices which could result in personal injury or property damage. Refer to the following table for definitions of the signal words.

SIGNAL WORD	MEANING
DANGER	Danger indicates an imminently hazardous situation which, if not avoided, will result in death or serious injury.
WARNING	Warning indicates a potentially hazardous situation which, if not avoided, could result in death or serious injury.
CAUTION	Caution indicates a potentially hazardous situation which, if not avoided, may result in property damage.

NOTICE

The information contained in this document is subject to change without notice.

DANGER

Users MUST not smoke while using this device. Keep all matches, lighted cigarettes or other sources of ignition out of the room in which this product is located. No smoking signs should be prominently displayed. Textiles and other materials that normally would not burn are easily ignited and burn with great intensity in oxygen enriched air. Failure to observe this warning can result in severe fire, property damage and cause physical injury or death.

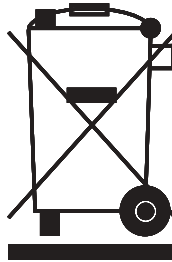
RECYCLING INFORMATION

This product has been supplied from an environmentally aware manufacturer that complies with the Waste Electrical and Electronic Equipment (WEEE) Directive 2002/96/CE.

This product may contain substances that could be harmful to the environment if disposed of in places (landfills) that are not appropriate according to legislation.

The 'crossed out wheelie bin' symbol is placed on this product to encourage you to recycle wherever possible.

Please be environmentally responsible and recycle this product through your recycling facility at its end of life.



SECTION I—GENERAL GUIDELINES

WARNING

SECTION 3 - GENERAL GUIDELINES contains important information for the safe operation and use of this product. **DO NOT** use this product or any available optional equipment without first completely reading and understanding these instructions and any additional instructional material such as **Owner's Manuals, Service Manuals or Instruction Sheets** supplied with this product or optional equipment. If you are unable to understand the **Warnings, Cautions or Instructions**, contact a healthcare professional, dealer or technical personnel before attempting to use this equipment - otherwise, injury or damage may occur.

In order to ensure the safe installation, assembly and operation of the Platinum concentrator these instructions **MUST** be followed.

CAUTION

“Caution: Statutory law can restrict this device to sale by or on order of a physician, or any other practitioner licensed by the law of the governmental agency in which he/she practices to use or order the use of this device.”

DANGER

Risk of electric shock. **DO NOT** disassemble. Refer servicing to qualified service personnel.

⚠ WARNINGS

The use of oxygen therapy requires that special care be taken to reduce the risk of fire. Any materials that will burn in air, and some that will not, are easily ignited and burn rapidly in high concentrations of oxygen. For safety concerns, it is necessary that all sources of ignition be kept away from the product and preferably out of the room in which it is being used. **NO SMOKING** signs should be prominently displayed.

A spontaneous and violent ignition may occur if oil, grease or greasy substances come in contact with oxygen under pressure. These substances **MUST** be kept away from the oxygen concentrator, tubing and connections, and all other oxygen equipment. **DO NOT** use any lubricants unless expressly recommended by Invacare.

For optimum performance, Invacare recommends that each concentrator be on and running for a minimum of 30 minutes at a time. Shorter periods of operation may reduce maximum product life.

If the concentrator has a damaged cord or plug, if it is not working properly, if it has been dropped or damaged, or dropped into water, call Qualified Service Personnel for examination and repair.

Keep the oxygen tubing, cord, and unit away from heated or hot surfaces, including space heaters, blankets, stoves and similar electrical appliances.

DO NOT move or relocate concentrator by pulling on the cord.

NEVER drop or insert any object into any opening.

NEVER block the air openings of the product or place it on a soft surface, such as a bed or couch, where the air opening may be blocked. Keep the openings free from lint, hair and the like.

Fill humidifier with water to the level shown by the manufacturer. **DO NOT** overfill.

Keep unit at least 7.5 cm (3 in) away from walls, draperies, furniture, and the like.

Invacare recommends that Crushproof oxygen tubing (supplied by Invacare) be used with this product and **NOT** exceed 15.2 m (50 ft.) in length. Recommended use for Platinum 9 is up to 50 ft in length of high flow tubing.

Maintenance

The Invacare Oxygen Concentrator was specifically designed to minimize routine preventive maintenance at intervals of once per year. Only professionals of the healthcare field or persons fully conversant with this process such as authorized or factory trained personnel should perform preventive maintenance or performance adjustments on the oxygen concentrator.

Radio Frequency Interference

Most electronic equipment is influenced by Radio Frequency Interference (RFI). Caution should be exercised with regard to the use of portable communications equipment in the area around such equipment.

To Reduce The Risk Of Burns, Electrocutation, Fire Or Injury To Persons.

Avoid using while bathing. If continuous usage is required by the physician's prescription:

The concentrator must be located in another room at least 2.1 m (7 ft.) from the bath.

DO NOT come in contact with the concentrator while wet.

A product should NEVER be left unattended when plugged in.

DO NOT place or store product where it can drop into water or other liquid.

DO NOT reach for product that has fallen into water. Unplug IMMEDIATELY.

This device is to be used only in accordance with the prescription of a physician and this Owners Manual. If at any time the patient or attendant conclude that the patient is receiving an insufficient amount of oxygen, the supplier and/or physician should be contacted IMMEDIATELY. No adjustments should be made to the flowrate unless prescribed by a physician.

Close supervision is necessary when this product is used near children or physically-challenged individuals.

Use this product for only intended use as described in this manual.

DO NOT connect the concentrator in parallel or series with other oxygen concentrators or oxygen therapy devices.

Use of some administration accessories or certain humidifiers not specified for use with oxygen concentrator may impair the performance.

In certain circumstances oxygen therapy can be hazardous. Invacare recommends that you seek medical advice before using this machine.

This equipment is to be used as an oxygen supplement and is not considered life supporting or life sustaining.

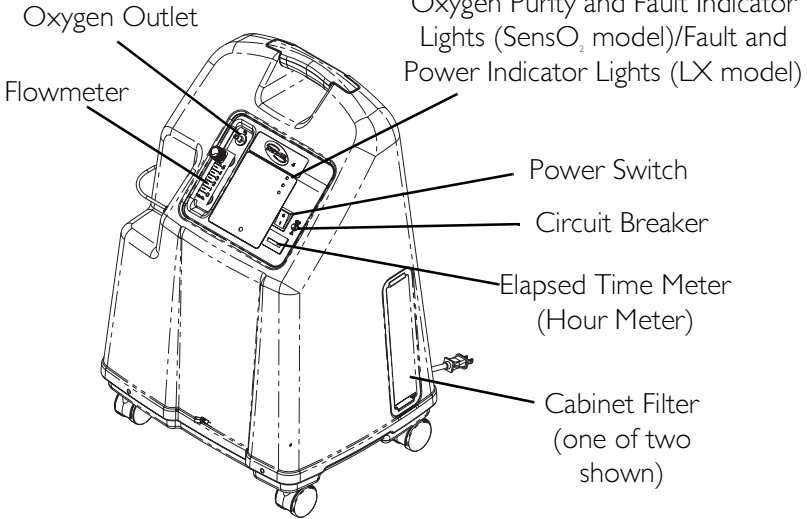
Avoid creation of any spark near medical oxygen equipment. This includes sparks from static electricity created by any type of friction.

Oxygen Concentration

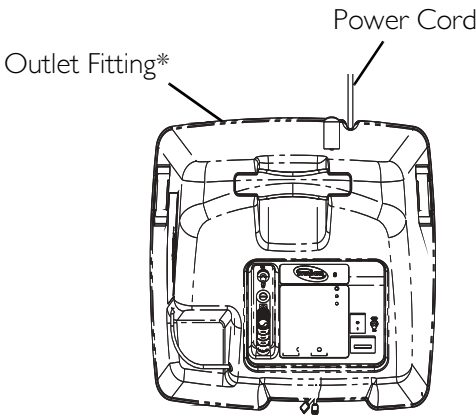
Take care not to set the flow above RED ring. An oxygen flow greater than 5 L/min (IRC5LXO2AW, IRC5LXAW, IRC5LXO2AWQ) and 9 L/min. (IRC9LXO2AWQ) will decrease the oxygen concentration.

SECTION 2—FEATURES

FRONT VIEW



**NOTE: This outlet fitting is to be used only for filling oxygen cylinders with the HomeFill home oxygen compressor. The outlet fitting does not affect concentrator performance. Refer to the HomeFill owner's manual, part number 1145806, for connection and operating instructions. When not in use, the plug provided with the concentrator should be inserted into the outlet fitting. For more information about the HomeFill, contact Invacare.*



TOP VIEW

ACCESSORIES (NOT SHOWN):

HomeFill home oxygen compressor

Contact your local Invacare representative for available accessory information.

SECTION 3—SHIPPING AND HANDLING

NOTE: For this procedure, refer to FIGURE 3.1

Before you install and operate the concentrator, please refer to Platinum Series Owner's Manual.

The Platinum concentrator should ALWAYS be kept in the upright position to prevent cabinet damage while being transported. The shipping container has been designed to assure maximum protection of the concentrator.

If the concentrator is to be reshipped by common carrier, it should be packed in a new carton. Additional cartons are available from Invacare.

The air compressor suspension system has been engineered to withstand severe motion and orientation.

Unpacking

1. Check for any obvious damage to the carton or its contents. If damage is evident, notify the carrier, or Invacare.
2. Remove all loose packing from the carton.
3. Carefully remove all the components from the carton.

NOTE: Retain carton and packing materials for storage of the Platinum.

Inspection

1. Examine exterior of the oxygen concentrator for nicks, dents, scratches or other damages. Inspect all components.

Storage

1. Store the repackaged oxygen concentrator in a dry area.

- 2. **DO NOT** place other objects on top of the repackaged concentrator.

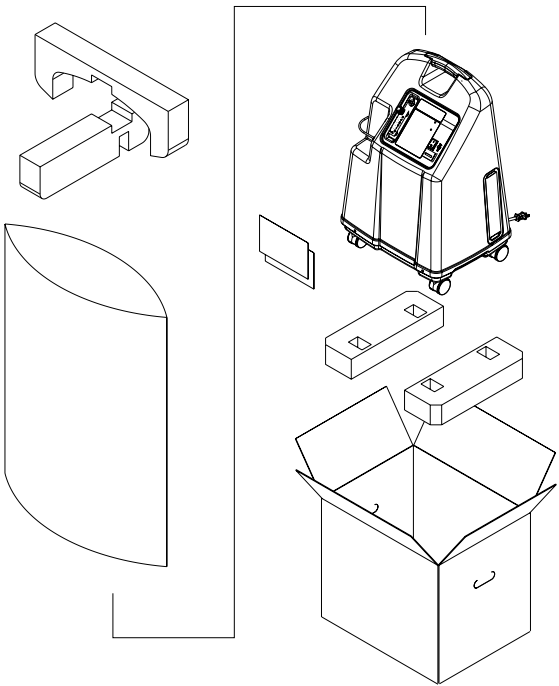









FIGURE 3.1 Unpacking

SECTION 4—TYPICAL PRODUCT PARAMETERS

Regulatory Listing:	EN/IEC 60601-1
	Alternating Current
	Type BF equipment
	Unit running
	Unit not running
	Attention - Consider Accompanying Documents
	DO NOT smoke
	Class II, Double Insulation

Electrical Requirements:	230 VAC \pm 10% (253 VAC/207 VAC), 50 Hz
Rated Current Input:	1.4 A (IRC5LXO2AWQ)
	2.0 A (IRC5LXAW, IRC5LXO2AW)
	2.5 A (IRC9LXO2AWQ)
Sound Level:	39.5 dB Average (IRC5LXO2AWQ)
	44 dB Average (IRC5LXAW, IRC5LXO2AW)
	50 dB Average (IRC9LXO2AWQ)
Altitude:	IRC5LXAW, IRC5LXO2AW IRC5LXO2AWQ - Up to 1828 meters (6,000 ft.) above sea level without degradation of concentration levels. NOT RECOMMENDED FOR USE ABOVE 1828 meters (6,000 ft)
	IRC9LXO2AWQ - Up to 4,000 ft. (1230 meters) above sea level without degradation of concentration levels. For 4,000 ft (1230 meters) to 13,129 ft (4000 meters) below 90% efficiency.

SECTION 4—TYPICAL PRODUCT PARAMETERS

<p>*Oxygen Output Concentration Levels: All 5LXO2AWQ/5LXAW/ 5LXO2AW/9LXO2AWQ models * (Stated concentration levels achieved after initial warm-up period (approximately 30 minutes).</p>	<p>IRC5LXAW, IRC5LXO2AW, IRC5LXO2AWQ 93% minimum at 1 to 3 L/min. 91% minimum at 4 L/min. 87% minimum at 5 L/min. (maximum recommended flow) IRC9LXO2AWQ 93% minimum at 1 to 7 L/min. 91% minimum at 8 L/min. 87% minimum at 9 L/min.</p>
<p>Maximum Outlet Pressure:</p>	<p>IRC5LXAW, IRC5LXO2AW, IRC5LXO2AWQ 34.5 ± 3.45 kPa (5 ± 0.5 psi)</p> <p>IRC9LXO2AWQ 62.0 kPa ± 3.45 kPa (5 ± 0.5 psi)</p>
<p>Flow Range:</p>	<p>IRC5LXAW, IRC5LXO2AW, IRC5LXO2AWQ 0.5 to 5 L/min. Flowrates less than 1 L/min. are not recommend</p> <p>IRC9LXO2AWQ 1 L/min. to 9 L/min. Flowrates less than 1 L/min. are not recommended.</p>
<p>Low Flow Alarm:</p>	<p>0 L/min. to 0.5 L/min. Rapid Audible Alarm Beeping (No Accessories Connected).</p>
<p>Average Power Consumption:</p>	<p>(IRC5LXO2AWQ) 300 W 280 W @ ≤ 3 L/min</p> <p>(IRC5LXO2AW) 365 W 340 W @ ≤ 3 L/min</p> <p>380 W (IRC5LXAW)</p> <p>500 W (IRC9LXO2AWQ)</p>
<p>Pressure Relief Mechanism Operational at:</p>	<p>241 kPa ± 24.1 kPa (35 psi ± 3.5 psi)</p>
<p>Change in maximum recommended flow when back pressure of 7k Pa is applied:</p>	<p>0.7 L/min.</p>



SECTION 4—TYPICAL PRODUCT PARAMETERS

Filters:	Cabinet (2), Outlet HEPA and Compressor Inlet.
Safety System:	Current overload or line surge shutdown. High temperature compressor shutdown. High Pressure Alarm w/compressor shutdown. Low Pressure Alarm w/compressor shutdown. Battery Free Power Loss Alarm. SensO ₂ Oxygen System (SensO ₂ Model) Low Flow Alarm.
Width:	46.7 cm ± 1 cm (18 3/8 in ± 3/8 in)
Height:	67.0 cm ± 1 cm (6 3/8 in. ± 3/8 in)
Depth:	36.5 cm ± 1 cm (14 3/8 in. ± 3/8 in)
Weight:	IRC5LXAW, IRC5LXO2AW, IRC5LXO2AWQ 23.6 kg ± 1 kg (52 lbs ± 2 lbs)
	IRC9LXO2AWQ 24.0 kg ± 1 kg (53 lbs ± 2 lbs)
Shipping Weight:	IRC5LXAW, IRC5LXO2AW, IRC5LXO2AWQ 26.8 kg ± 1 kg (59 lbs ± 2 lbs)
	IRC9LXO2AWQ 27.2 kg ± 1 kg (60 lbs ± 2 lbs)
Operating Ambient Temperature:	10°C - 35°C (50°F - 95°F) at 20-60% relative humidity.
Exhaust:	Less than Ambient +19°C (+ 35°F)
Oxygen Output:	Less than Ambient +2°C (+ 4°F).
Cabinet:	Impact Resistant flame-retardant plastic cabinet that conforms to UL 94-V0.


SECTION 4—TYPICAL PRODUCT PARAMETERS

Regulatory Listing:	<p>5LXAW/5LXO2AW/5LXO2AWQ/ 9LXO2AWQ ETL tested as complying with: EN55011 EN61000-3-2 EN61000-3-3 IEC 60601-1, A1, A2 IEC 60601-1-2</p> <p>5LXO2AW/5LXO2AWQ/ 9LXO2AWQ Models Only ISO8359 MDD</p>
CE marked models:	5LXO2AW, 5LXO2AWQ, 9LXO2AWQ
Electrical:	No extension cords.
Placement:	No closer than 7.5 cm (3 inches) from any wall, furniture, draperies, or similar surfaces.
Tubing:	<p>IRC5LXAW, IRC5LXO2AW, IRC5LXO2AWQ 2.1 m (7 ft) cannula with a maximum 15.2 m (50 ft) of Crush-Proof Tubing (DO NOT pinch).</p>
	<p>IRC9LXO2AWQ Recommended use up to 50 ft high flow tubing with high flow cannula at all flow rates.</p>
Relative Humidity:	20 to 60%
Time of Operation:	Up to 24 hours per day.
Recommended Storage and Shipping Temperature:	-29°C to 65°C (-20°F to 150°F) at 15-95% relative humidity.

SENSO₂ INDICATORS

LABEL SYMBOL	STATUS	INDICATOR LIGHTS (LED)
O ₂	SYSTEM OKAY O ₂ over 85% (± 2%)	GREEN Indicator Light
	O ₂ Between 73% (± 3%) to 85% (±2%)	YELLOW Indicator light A. YELLOW Solid B. YELLOW Flashing Sensor Failure Call a qualified technician.
	SYSTEM FAILURE O ₂ Below 73% (±3%)	RED Indicator Light Refer to <u>Troubleshooting Guide</u> on page 37.

LX INDICATORS

LABEL SYMBOL	STATUS	INDICATOR LIGHTS (LED)
I/O	SYSTEM OKAY	GREEN Indicator Light
	SYSTEM FAILURE	RED Indicator light Continuous Audible Alarm Sieve-GARD™ Compressor Shutdown Call a qualified technician

SECTION 5—OPERATING INSTRUCTIONS

Introduction

Your oxygen concentrator is intended for individual use in the home. It is an electronically operated device that separates oxygen from room air. It provides high concentration of oxygen directly to you through a nasal cannula. Clinical studies have documented that oxygen concentrators are therapeutically equivalent to other types of oxygen delivery systems.

Your provider will show you how to use your oxygen concentrator. He/She should be contacted with any questions or problems regarding your oxygen concentrator. This owner's manual will tell you about your concentrator and will serve as a reference as you use your concentrator.

Select a Location

You may select a room in your house where using your oxygen concentrator would be most convenient. Your concentrator can be easily rolled from room to room on its casters.

Your oxygen concentrator will perform best when operated under the following conditions. Usage in environments other than those described may result in the need for increased equipment maintenance. The air intake of the unit should be located in a well ventilated area to avoid airborne pollutants and/or fumes.

Recommended Guidelines for Optimum Performance

Temperature:	(10°C - 35°C) 50°F - 95°F
Electrical:	No extension cords.
Placement:	No closer than 7.5 cm (3 in) from the wall, furniture, draperies, or similar surfaces.
Tubing and Cannula:	IRC5LXAW, IRC5LXO2AW, IRC5LXO2AWQ 2.1 m (7 ft) cannula with a maximum 15.2 m(50 ft) of Crush-Proof Tubing (DO NOT pinch).
	IRC9LXO2AWQ Recommended use up to 50 ft high flow tubing with high flow cannula at all flow rates.
Environment:	Smoke and soot-free. No confined spaces (Example: No closets).
Relative Humidity:	20 to 60%
Time of Operation:	Up to 24 hours per day.
Flow Rate	IRC5LXAW, IRC5LXO2AW, IRC5LXO2AWQ 0.5 L/min. to 5 L/min. Flow rates less than 1 L/min., are not recommended.
	IRC9LXO2AWQ 1 L/min. to 9L/min. Flow rates less than 1 L/min. are not recommended.
Minimum Operating Time:	30 Minutes

NOTE: Ensure that your concentrator is at least 7.5 cm (3 in) away from walls, draperies or furniture to assure sufficient air flow. Avoid deep pile carpets and heaters, radiators or hot air registers.

Plug in Power Cord

1. Plug in power cord to an electrical outlet.

Connect Humidifier (If So Prescribed)

NOTE: For this procedure, refer to FIGURE 5.1 on page 26, FIGURE 5.2 on page 26, FIGURE 5.3 on page 28 and FIGURE 5.4 on page 29.

1. Fill humidifier with distilled water to the level indicated by the manufacturer. (Please contact Invacare for recommendations).

⚠ WARNING

DO NOT overfill humidifier.

Replace the humidifier cap and securely tighten.

DO NOT reverse the oxygen input and output connections. Water from the humidifier bottle will travel through the cannula back to the patient.

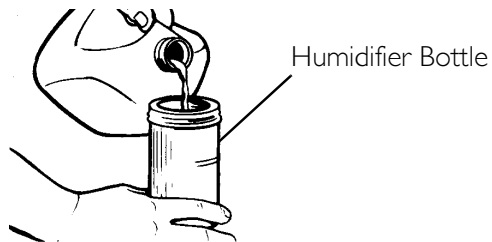


FIGURE 5.1 Filling the Humidifier

2. Place the humidifier bottle in the humidifier compartment.

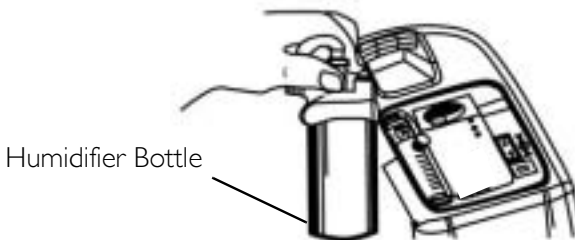


FIGURE 5.2 Humidifier Compartment

3. Remove the filter access door located on the side of the concentrator. Insert a flathead screwdriver in the plate groove on the top edge of the filter access door and gently pry the filter access door open. Refer to Detail "A" in FIGURE 5.3.
4. The humidifier adapter is next to the inlet filter. Pull up and remove the humidifier bottle adapter. Refer to Detail "B" in FIGURE 5.3.
5. Attach it to the humidifier by turning the wing nut on the humidifier bottle counterclockwise until it is securely fastened. Refer to Detail "C" in FIGURE 5.3.

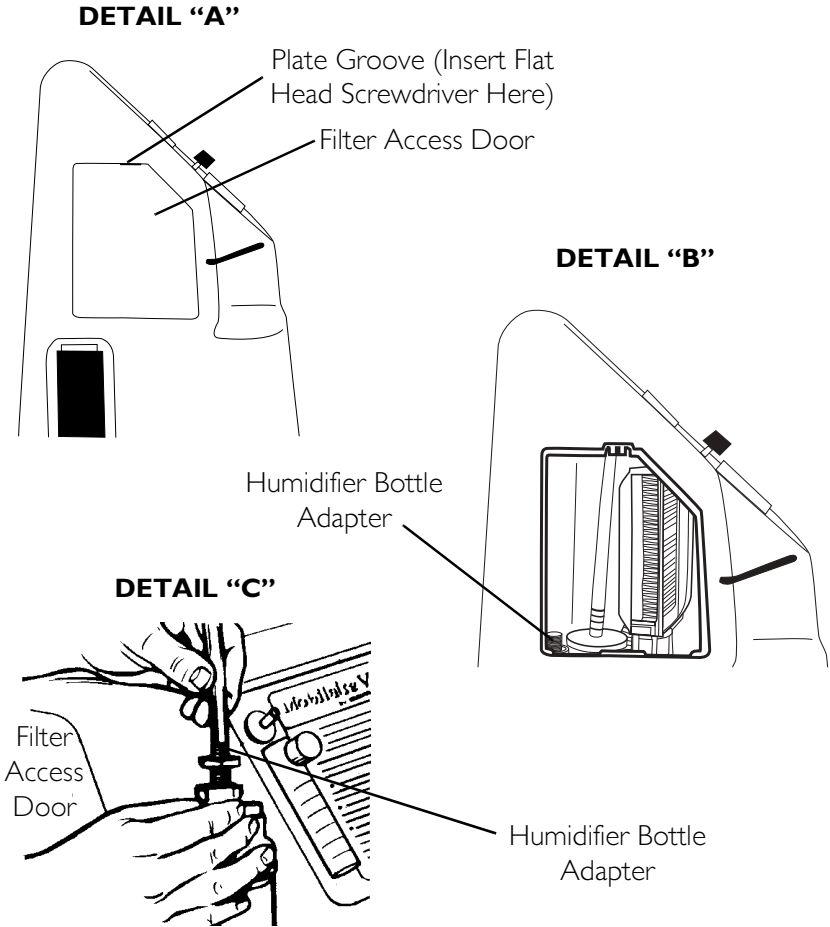


FIGURE 5.3 Attaching the Humidifier Bottle Adapter

6. Attach oxygen tubing from the humidifier bottle to oxygen outlet connector on the oxygen concentrator.
7. Attach the cannula/patient supply tubing to the humidifier bottle outlet.
8. After assembly, ensure that oxygen is flowing through the cannula.
9. Replace the filter access door on the side of concentrator by snapping it back into the plate groove.

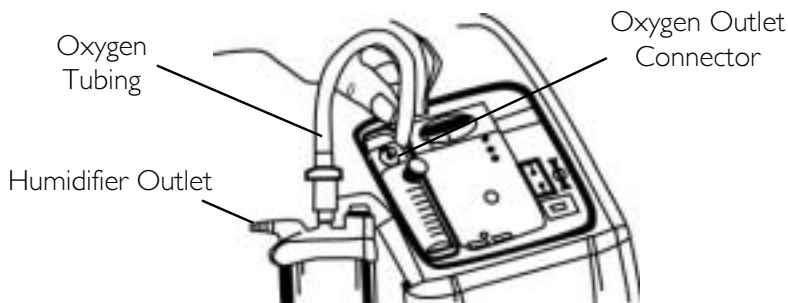


FIGURE 5.4 Attaching the Oxygen Tubing

⚠ WARNING

For optimum performance, Invacare recommends that each concentrator be on and running for a minimum of 30 minutes at a time. Shorter periods of operation may reduce maximum product life.

Power Switch

NOTE: For this procedure, refer to FIGURE 5.5.

1. Press power switch to on position. All the panel lights and the audible alarm will come on for one second, indicating that the unit is functioning properly. After one second, only the GREEN system ok/power light will stay on.

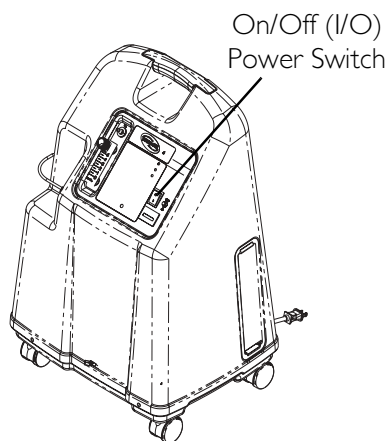


FIGURE 5.5 Power Switch

Flowrate

NOTE: For this procedure, refer to FIGURE 5.6.

1. Turn the flowrate knob to the setting prescribed by your physician or therapist.

⚠ WARNING

DO NOT change the L/min. setting on the flowmeter unless a change has been prescribed by your physician or therapist.

NOTE: To properly read the flowmeter, locate the prescribed flowrate line on the flowmeter. Next, turn the flow knob until the ball rises to the line. Now, center the ball on the L/min. line prescribed.

2. If the flowrate on the flowmeter ever falls below 0.5 L/min. for more than about one minute, the LOW FLOW alarm will be triggered. This is a rapid beeping of the audible alarm. Check your tubing or accessories for blocked or kinked tubing or a defective humidifier bottle. After rated flow is restored, more than 0.5 L/min., the LOW FLOW audible alarm will go off.

NOTE: The use of some accessories such as the pediatric flowstand and the HomeFill compressor will deactivate the Low Flow Alarm.

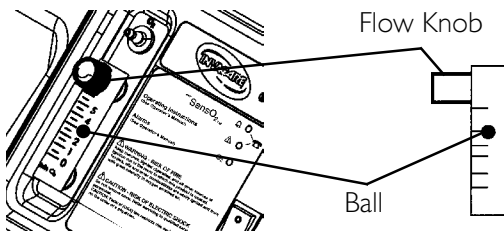


FIGURE 5.6 Flowrate

SensO₂ Oxygen Purity Indicators (LX O₂ Sensor Model)

This feature monitors the purity of oxygen generated by the oxygen concentrator. If purity falls below factory preset standards, indicator lights on the control panel will illuminate.

Initial Startup of the Concentrator

NOTE: Concentrator may be used during the initial start warm-up time (approximately 30 min.) while waiting for the O₂ purity to reach maximum.

When the unit is turned on, the GREEN light will come on (SYSTEM OK/O₂ greater than 85%). After five minutes, the oxygen sensor will be operating normally and will control the indicator lights depending on oxygen concentration values.

Explanation of Oxygen Purity Indicator Lights

NOTE: For this procedure, refer to FIGURE 5.7.

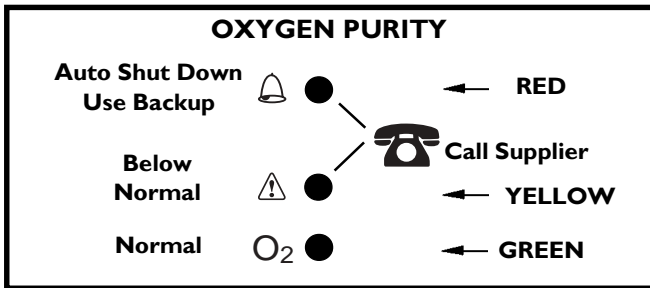


FIGURE 5.7 SensO₂ Oxygen Purity Indicators (LX O₂ Sensor Model)

GREEN light (O₂) - Normal Operation.

YELLOW light (⚠) - Call supplier IMMEDIATELY. You may continue to use the concentrator unless instructed otherwise by your supplier. Be certain that backup oxygen is nearby.

RED light (△)- Total unit shutdown. Switch IMMEDIATELY to backup oxygen supply. Call supplier IMMEDIATELY (FIGURE 5.7).

GREEN light - with YELLOW light flashing - Call supplier IMMEDIATELY. Oxygen sensor malfunctioning; you may continue to use the concentrator (FIGURE 5.7).

Indicators (LX Model)

NOTE: For this procedure, refer to FIGURE 5.8.

Explanation of LX models Indicator Lights

RED light (△) - Total Unit Shut-Down. Switch IMMEDIATELY to a back-up oxygen supply. Call supplier IMMEDIATELY.

GREEN light (I/O) - On/Off. System okay.

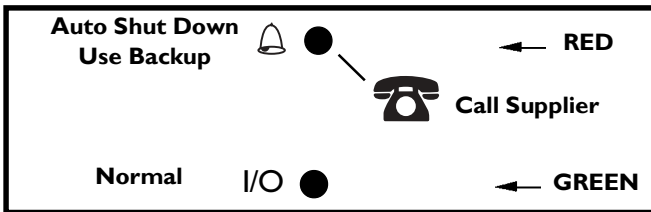


FIGURE 5.8 Indicators (LX Model)

Main Power Loss Alarm System

The alarm system contains no battery - and is thereby maintenance free. The alarm system is powered by a capacitor that is continuously charged and ready to trigger the alarm in the event of main power loss.

Elapsed Time Meter (Hour Meter)

The hour meter displays the cumulative number of hours the unit has operated.

SECTION 6—MAINTENANCE

NOTE: The Invacare concentrators are specifically designed to minimize routine preventive maintenance. In places with high dust or soot levels, maintenance may need to be performed more often. Only authorized or factory-trained personnel should perform preventive maintenance on the concentrator. Power should be disconnected before beginning preventive maintenance on the Invacare concentrator.

NOTE: At a minimum, preventive maintenance MUST be performed according to the maintenance record guidelines. Refer to Preventive Maintenance Record Invacare Platinum Oxygen Concentrator on page 35.

Routine Maintenance

NOTE: The following routine maintenance should be performed more frequently. See recommended intervals in each section and preventive maintenance record.

Cleaning the Cabinet Filter

NOTE: For this procedure, refer to FIGURE 6.1 on page 34.

CAUTION

DO NOT operate the concentrator without the filters installed.

NOTE: There are two cabinet filters. One filter located on each side of the cabinet.

1. Remove each filter and clean at least once a week depending on environmental conditions.

NOTE: Environmental conditions that may require more frequent cleaning of the filters include but are not limited to: high dust, smoking, air pollutants, etc.

2. Clean the cabinet filters with a vacuum cleaner or wash in warm soapy water and rinse thoroughly.
3. Dry the filters thoroughly before reinstallation.

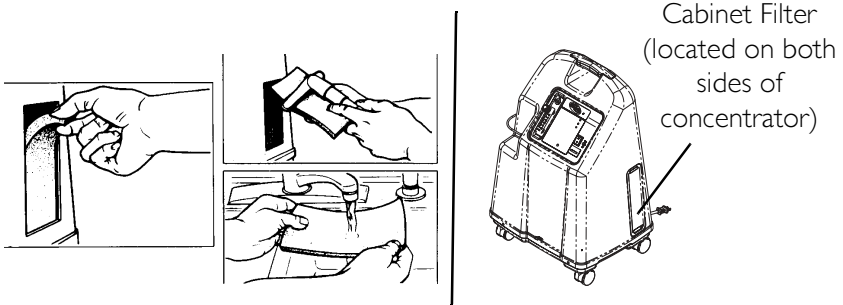


FIGURE 6.1 Cleaning the Cabinet Filter

Cabinet

⚠ WARNING

Unplug the concentrator when cleaning. To avoid electrical shock, DO NOT remove cabinet.

1. Clean the cabinet with a mild household cleaner and non-abrasive cloth or sponge.

Humidifier

NOTE: To clean the oxygen humidifier, follow the instructions provided by the manufacturer. If none are provided, follow these steps:

1. Clean the humidifier every day.
2. Wash it in soapy water and rinse it with a solution of ten parts water and one part vinegar.
3. Rinse thoroughly with hot water and refill with distilled water to the level shown on the humidifier.

⚠ WARNING**DO NOT** overfill humidifier bottle.**PREVENTIVE MAINTENANCE RECORD INVACARE
PLATINUM OXYGEN CONCENTRATOR**

Model No. IRC _____

Serial No. _____

On Each Inspection

Record Date Of Service						
Record Elapsed Hours on Hour Meter						
Clean Cabinet Filters						
Check Prescribed L/min. Flow Rate						
Annually, During Preventive Maintenance Schedule, Or Between Patients						
Clean/Replace Cabinet Filters						
Check outlet HEPA Filter*						
Check Compressor Inlet Filter*						
Check Oxygen Concentration (SensO ₂ models)						
Check Power Loss Alarm						
As Required						
Clean Heat Exchanger						
Replace Exhaust Muffler						
Rebuild Top End Compressor						

SECTION 6—MAINTENANCE

Record Date Of Service						
Every 180 Days (LX model) **						
Check oxygen Concentration						

**NOTE: Refer to Preventive Maintenance section of Service Manual.*

***NOTE: Not for EU countries.*

⚠ WARNING

Invacare products are specifically designed and manufactured for use in conjunction with Invacare accessories. Accessories designed by other manufacturers have not been tested by Invacare and are not recommended for use with Invacare products.

SECTION 7—TROUBLESHOOTING GUIDE

SYMPTOM:	PROBABLE CAUSE:	SOLUTION:
Alarm:	Main Power Loss:	
Short beeps, long pause	1. Power cord NOT plugged in.	1. Insert plug into outlet.
Concentrator not operating, power switch On.	2. No power at outlet.	2. Inspect house circuit breakers or fuses. If problem recurs, use a different outlet.
Beep.....Beep.....	3. Tripped circuit breaker.	3. Call Service Provider.
Alarm: Continuous Concentrator not operating, Power Switch On. Beeeeeeep....	System Failure: 1. Unit overheating due to blocked air intake. 2. Insufficient power at outlet. 3. Internal repairs required	1a. Remove and clean cabinet filters. 1b. Move oxygen concentrator at least 7.5 cm (3 in) away from walls, draperies or furniture. 2. DO NOT use extension cords. Move to another electrical outlet or circuit. 3. Call Service Provider.

SECTION 7—TROUBLESHOOTING GUIDE

SYMPTOM:	PROBABLE CAUSE:	SOLUTION:
<p>YELLOW or RED light illuminated.</p> <p>Alarm: Continuous On red light only.</p> <p>* Only applies to SensO₂ models.</p>	<p>1. Low oxygen purity.*</p> <p>2. Kinked or blocked tubing, cannula or humidifier.*</p> <p>3. Flowmeter set at 0.5 L/min. or less.*</p> <p>4. Unit overheating due to blocked air intake.</p> <p>5. Insufficient power at outlet.</p> <p>6. Internal repairs required.</p>	<p>1. Clean or Replace filters.</p> <p>2. Inspect for kinks or blockages. Correct, clean or replace item. Once corrected, turn power OFF for 60 seconds and then turn power back ON.</p> <p>3. Check flowmeter is set to 1.0 L/min. or more. (Refer to <u>Recommended Guidelines for Optimum Performance</u> on page 25.</p> <p>4.a. Remove and clean cabinet filters.</p> <p>4b. Move concentrator at least 7.5 cm (3 in) from walls, draperies, and furniture.</p> <p>5. DO NOT use extension cords. Move to another electrical outlet or circuit.</p> <p>6. Call Service Provider.</p>
<p>GREEN light YELLOW Light Flashing.</p>	<p>1. Internal repairs required.</p>	<p>1. Call Service Provider.</p>
<p>Alarm: RAPID</p> <p>Beep....Beep... Beep...Beep</p>	<p>Low Flow Alarm</p> <p>1a. Kinked or blocked tubing, cannula or humidifier.</p> <p>1b. Flowmeter set at 0.5 L/min. or less.</p>	<p>1a. Inspect for kinks or blockages. Correct, clean or replace item. Once corrected, turnpower OFF for 60 seconds and then turn power back ON.</p> <p>1b. Reset flowmeter to prescribed flowrate. Flowrates less than 1L/min. are not recommended.</p>

LIMITED WARRANTY

United Kingdom & Eire:

Invacare Ltd, South Road, Bridgend Industrial Estate,
UK-Bridgend CF31 3PY

Tel: (44) (0)1656 664 321, Fax: (44) (0)1656 667 532

UK@invacare.com

Brugervejledning

Platinum™ 

*Ittkoncentratorer, standard,
med/SensO₂® og HomeFill™*

*Model IRC5LXAW
Model IRC5LXO2AW
Model IRC5LXO2AWQ
Model IRC9LXO2AWQ*

Forhandler: Denne vejledning skal overdrages til slutbrugeren.

Bruger: Læs vejledningen inden anvendelse af denne koncentrator, og opbevar den som fremtidig reference.

Der findes yderligere oplysninger om Invacare's produkter, reservedele og serviceydelser på www.invacare.com



Yes, you can.

ADVARSEL

BETJEN IKKE DETTE UDSTYR UDEN FØRST AT LÆSE OG FORSTÅ DENNE VEJLEDNING. HVIS DU IKKE FORSTÅR ADVARSLERNE, FORSIGTIGHEDSREGLERNE OG INSTRUKTIONERNE, SKAL DU KONTAKTE INVACARES TEKNISK SERVICEAFDELING INDEN DU FORSØGER AT BRUGE UDSTYRET - ELLERS KAN DER SKE ALVORLIGE SKADER PÅ PERSONER ELLER EJENDOM.

TILBEHØR

Der er mange forskellige typer befugtere, iltslanger, kanyler og masker, der kan avendes med dette udstyr. Du bør kontakte din hjemmesygeplejerske eller lignende vedrørende anbefalinger af, hvilke af disse enheder, der er bedst til dig. Vedkommende kan også rådgive omkring korrekt brug, vedligeholdelse og rengøring.

ADVARSEL

Invacare-produkter er specifikt designede og produceret til brug sammen med Invacare-tilbehør. Tilbehør, der er designet af andre producenter, er ikke testet af Invacare, og anbefales ikke til brug sammen med Invacare-produkter.

BEMÆRK: Opdaterede versioner af denne vejledning kan findes på www.invacare.com.

SPECIELLE BEMÆRKNINGER

Der anvendes signalord i denne betjeningsvejledning for faremomenter og usikre forhold, der kan medføre skader på personer eller ejendom. Se nedenstående tabel, hvor signalordene er defineret.

SIGNALORD	BETYDNING
FARE	Fare indikerer en umiddelbart farlig situation som, hvis den ikke undgås, vil medføre dødsfald eller alvorlig personskade.
ADVARSEL	Advarsel indikerer en potentielt farlig situation som, hvis den ikke undgås, kan medføre dødsfald eller alvorlig personskade.
FORSIGTIG	Forsigtig indikerer en potentielt farlig situation som, hvis den ikke undgås, kan medføre beskadigelse på ejendom.

VARSEL

Oplysningerne i dette dokument kan ændres uden varsel.

FARE

Brugeren MÅ IKKE ryge under brug af dette apparat. Hold tændstikker, tændte cigaretter og andre antændelseskilder ude af det rum, hvor produktet er placeret. Der bør opsættes rygning forbudt-skilte på iøjnefaldende steder. Tekstiler og andre materialer, der normalt ikke ville antændes, vil nemt blive antændt og brænder med større intensitet i iltberiget luft. Mangel på overholdelse af denne advarsel kan medføre brand, beskadigelse på ejendom og fysiske skader eller dødsfald.

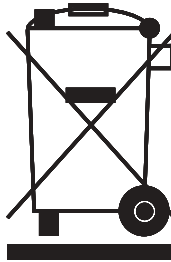
GENBRUGSINFORMATION

Dette produkt er leveret af en miljøbevidst producent, som overholder anvisningerne i direktiv 2002/96/CE, Kasseret elektrisk og elektronisk udstyr (WEEE).

Dette produkt kan indeholde substanser, der kan være skadelige for miljøet, hvis de bortskaffes til steder (lossepladser), der ikke er egnede i henhold til lovgivningen.

Symbolet 'overkrydset skraldebøtte' er placeret på produktet for at opfordre til genbrug i størst muligt omfang.

Tag ansvar for miljøet og genbrug dette produkt via en genbrugsfacilitet, når produktets levetid er ovre.



AFSNIT I — GENERELLE RETNINGSLINJER

ADVARSEL

AFSNIT 3 - GENERELLE RETNINGSLINJER indeholder vigtig information om sikker anvendelse og drift af dette produkt. **ANVEND IKKE** dette produkt eller eventuelt ekstraudstyr uden først at have læst og forstået alle disse instruktioner samt eventuelt yderligt instruktionsmateriale som f.eks. betjeningsvejledninger, servicemanualer eller instruktionsark, der er leveret med enten dette produkt eller tilbehør. Hvis du ikke kan forstå advarslerne, forsigtighedsreglerne eller instruktionerne, bedes du kontakte en professionel sundhedsmedarbejder eller en tekniker, inden du forsøger at bruge udstyret. Ellers kan der ske personskade eller andre skader.

For at sikre en sikker installation, montering og funktion af Platinum-koncentratoren, SKAL disse instruktioner følges.

ADVARSEL

“Advarsel: Lovbestemmelser kan begrænse salg eller bestilling af denne enhed til læger eller andet udøvende sundhedspersonale, og anvendelse eller bestilling kan være underlagt lovgivningen fra det statslige organ, hvorunder vedkommende praktiserer.”

FARE

Risiko for elektrisk stød. MÅ IKKE adskilles. Lad kun kvalificeret personale udføre service.

⚠ ADVARSLER

Anvendelse af iltbehandling kræver speciel omhyggelighed, for at undgå risiko for brand. Alle materialer, der kan brænde i luft, samt visse, der ikke kan, kan nemt antændes og brænder meget hurtigt ved høje koncentrationer af ilt. Af sikkerhedsgrunde er det nødvendigt, at alle antændelseskilder holdes væk fra produktet, og helst uden for det rum, apparatet anvendes i. Der bør opsættes RYGNING FORBUDT-skilte på iøjnefaldende steder.

En spontan og kraftig antændelse kan ske, hvis olie, fedt eller fedtede substanser kommer i kontakt med ilt under tryk. Disse substanser SKAL holdes væk fra iltkoncentratoren, slanger og tilslutninger samt alt andet iltudstyr. ANVEND IKKE smøremidler, medmindre det udtrykkeligt anbefales af Invacare.

For optimal ydelse anbefaler Invacare, at den enkelte koncentrator tændes og kører i mindst 30 minutter ad gangen. Kortere driftsperioder kan mindske produktlevetiden.

Hvis koncentratoren har en beskadiget netledning eller et beskadiget netstik, hvis den ikke fungerer korrekt, er blevet tabt, beskadiget eller er blevet udsat for vand, skal en kvalificeret servicetekniker kontaktes, så koncentratoren kan undersøges og eventuelt repareres.

Hold iltslanger, netledningen og enheden væk fra opvarmede eller varme flader, herunder radiatorer, tæpper, ovne og lignende elektriske anordninger.

FLYT IKKE koncentratoren ved at trække i netledningen.

TAB ANDRIG og INDSÆT ALDRIG noget objekt i nogen åbning.

ADVARSLER

BLOKER ALDRIG luftåbninger i produktet, og placér det aldrig på en blød flade som f.eks. en seng eller en sofa, hvor luftåbningerne kan blive blokeret. Hold åbningerne fri for støvansamlinger, hår og lignende.

Fyld befugteren med vand til det niveau, producenten har anvist. OVERFYLD IKKE.

Hold enheden mindst 7,5 cm væk fra vægge, forhæng, møbler og lignende.

Invacare anbefaler, at Crushproof-iltslanger (der leveres af Invacare) anvendes til dette produkt, og at slangelængden IKKE overskrider 15,2 m. Anbefalet anvendelse for Platinum 9 er op til 15,24 m (50 ft) længde rørføring med højt flow.

Vedligeholdelse

Invacare-iltkoncentratoren er specifikt designet til at minimere forebyggende rutinevedligeholdelse til intervaller på én gang om året. Kun professionelle sundhedsmedarbejdere, eller personer, der er fuldt fortrolige med disse processer, f.eks. autoriserede eller fabriksunderviste medarbejdere, bør udføre forebyggende vedligeholdelse og justeringer af iltkoncentratoren.

Radiofrekvensinterferens

Det meste elektroniske udstyr påvirkes af radiofrekvensinterferens (RFI). Der skal udvises forsigtighed ved brugen af transportabelt kommunikationsudstyr i nærheden af sådant udstyr.

Sådan minimeres risikoen for forbrændinger, elektriske stød, brand eller personskader

Undgå anvendelse under badning. Hvis kontinuerlig anvendelse er påkrævet efter lægens anvisning:

Skal koncentratoren placeres i et andet rum, mindst 2,1 m fra badet.

Personer må IKKE komme i kontakt med koncentratoren, mens de er våde.

Et produkt bør ALDRIG efterlades uden opsyn, når det er sat til.

Produktet MÅ IKKE placeres eller opbevares, hvor det kan falde i vand eller andre væsker.

RÆK IKKE ud efter et produkt, der er faldet i vand. Tag stikket ud af stikkontakten ØJEBLIKKELT.

Denne enhed må kun bruges i overensstemmelse med en læges anvisninger samt oplysningerne i denne betjeningsvejledning. Hvis patienten eller plejeren på et tidspunkt konkluderer, at patienten får for lidt ilt, bør leverandøren og/eller lægen kontaktes ØJEBLIKKELT. Der må ikke foretages justeringer af flowhastigheden, medmindre dette foreskrives af en læge.

Tæt supervision er nødvendig ved anvendelse af dette produkt i nærheden af børn eller fysisk handicappede personer.

Brug kun dette produkt til den tilsigtede anvendelse, som beskrevet i denne vejledning.

TILSLUT IKKE koncentratoren parallelt eller i serie med andre iltkoncentratorer eller ilt-behandlingsenheder.

Anvendelse af visse former for administrationstilbehør eller visse befugtere, der ikke er specificeret til brug sammen med iltkoncentratorer, kan påvirke ydelsen.

Under visse omstændigheder kan iltbehandling være farlig. Invacare anbefaler, at der søges lægelig rådgivning inden denne maskine anvendes.

Dette udstyr skal anvendes som et iltsupplement, og det betragtes ikke som livsunderstøttende eller livsbevarende udstyr.

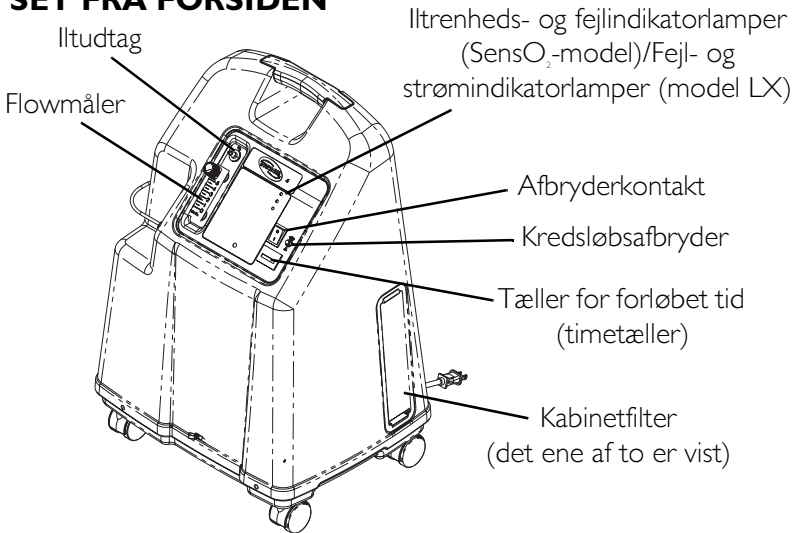
Undgå, at der forekommer gnister nær medicinsk iltudstyr. Dette omfatter også gnister fra statisk elektricitet, der kan udløses ved enhver form for friktion.

Iltkoncentration

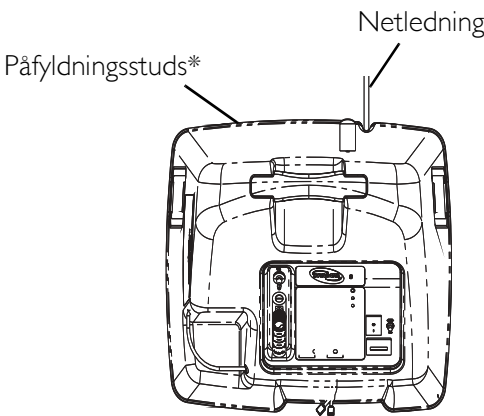
Pas på ikke at indstillet flow'et over den RØDE ring. Et oxygen-flow på mere end 5 l/min (IRC5LXO2AW, IRC5LXAW, IRC5LXO2AWQ) og 9 l/min. (IRC9LXO2AWQ) sænker koncentrationen af oxygen.

AFSNIT 2—FUNKTIONER

SET FRA FORSIDEN



**BEMÆRK: Denne studs må kun anvendes til påfyldning af iltflasker vha. iltkompressoren HomeFill. Studsen påvirker ikke koncentratorens ydeevne. Se betjeningsvejledningen til HomeFill, varenummer 1145806, vedrørende tilslutning og betjening. Når studsen ikke anvendes, skal den afblændes med den prop, der er leveret med koncentratoren. Kontakt Invacare for yderligere oplysninger om HomeFill.*



SET FRA TOPPEN

TILBEHØR (IKKE VIST):

HomeFill iltkompressor til hjemmepåfyldning

Kontakt den lokale Invacare-repræsentant for oplysninger om tilbehør.

AFSNIT 3—FORSENDELSE OG HÅNDTERING

BEMÆRK: Vedrørende denne procedure, se FIGUR 3.1.

Inden du installerer og betjener koncentratoren, skal du læse betjeningsvejledningen til Platinum Series.

Platinum-koncentratoren skal ALTID transporteres i lodret stilling, for at forhindre skader på kabinettet. Forsendelsesemballagen er designet til at sikre maksimal beskyttelse af koncentratoren.

Hvis koncentratoren skal videresendes som en almindelig forsendelse, skal den emballeres i en ny emballage. Ekstra emballering kan anskaffes fra Invacare.

Luftkompressorens affjedringssystem er udviklet, så det kan modstå kraftige bevægelser og retnings skift.

Udpakning

1. Kontroller, om der er synlige skader på emballagen eller indholdet. Ret henvendelse til fragtmænd eller Invacare, hvis der er skader.
2. Fjern al løs emballage fra pakken.
3. Udtag forsigtigt alle komponenter fra emballagen.

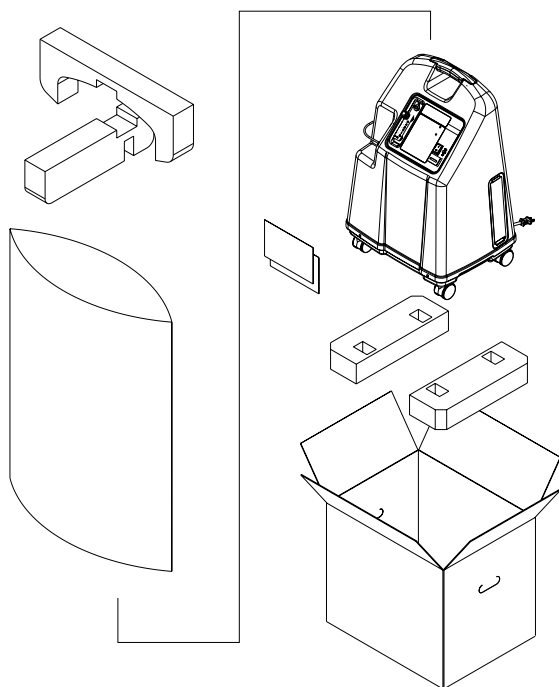
BEMÆRK: Gem emballage og pakkematerialer til evt. opbevaring af Platinum.

Inspektion

1. Undersøg den udvendige side af iltkoncentratoren for slagmærker, buler, ridser eller andre skader. Undersøg alle komponenter.








Opbevaring

1. Opbevar den genemballerede iltkoncentrator et tørt sted.
2. Der må IKKE placeres andre objekter oven på den genemballerede koncentrator.



FIGUR 3.1 Udpakning

AFSNIT 4—TYPISKE PRODUKTPARAMETRE

Regulativ liste:	EN/IEC 60601-1
	Vekselstrøm
	Type BF-udstyr
	Enhed i drift
	Enhed ikke i drift
	OBS: Se medfølgende dokumenter
	RYG IKKE
	Klasse II, dobbeltisolering

Elektriske krav:	230 VAC ± 10 % (253 VAC/207 VAC), 50 Hz
Nominelt strøm-input:	1,4 A (IRC5LXO2AWQ)
	2,0 A (IRC5LXAW, IRC5LXO2AW)
	2,5 A (IRC9LXO2AWQ)
Lydniveau:	39,5 dB i gennemsnit (IRC5LXO2AWQ)
	44 dB i gennemsnit (IRC5LXAW, IRC5LXO2AW)
	50 dB i gennemsnit (IRC9LXO2AWQ)

AFSNIT 4—TYPISKE PRODUKTPARAMETRE

Højde:	IRC5LXAW, IRC5LXO2AW IRC5LXO2AWQ Op til 1828 meter over havoverfladen uden mindskelse af koncentrationsniveauer. ANBEFALES IKKE TIL BRUG OVER 1828 METER
	IRC9LXO2AWQ - op til 1230 m (4.000 ft.) over havniveau uden forringelse af koncentrationsniveauerne. For 1230 m (4.000 ft) til 4000 m (13.129 ft) under 90% effektivitet.
*Iltudtag Koncentrationsniveauer: Alle 5LXO2AWQ/5LXAW/ 5LXO2AW/9LXO2AWQ -modeller * Angivne koncentrationsniveauer er opnået efter en indledende opvarmningsperiode (ca. 30 minutter).	IRC5LXAW, IRC5LXO2AW, IRC5LXO2AWQ 93 % minimum ved 1 til 3 L/min. 91 % minimum ved 4 L/min. 87 % minimum ved 5 L/min (maksimalt anbefalet flow) IRC9LXO2AWQ 93% minimum ved 1 til 7 l/min 91% minimum ved 8 l/min 87% minimum ved 9 l/min.
Maksimalt udgangstryk:	IRC5LXAW, IRC5LXO2AW, IRC5LXO2AWQ 34,5 ± 3,45 kPa
	IRC9LXO2AWQ 62,0 kPa ± 3,45 kPa (5 ± 0.5 psi)
Flowinterval:	0,5 til 5 L/min. Flowhastigheder på mindre end 1 L/min. anbefales ikke
Alarm for lav flowhastighed:	0 L/min. til 0,5 L/min. Hurtige alarmbip (intet tilbehør tilsluttet).
Gennemsnitligt strømforbrug:	(IRC5LXO2AWQ) 300 W 280 W @ ≤ 3 L/min
	(IRC5LXO2AW) 365 W 340 W @ ≤ 3 L/min
	380 W (IRC5LXAW)
	500 W (IRC9LXO2AWQ)



AFSNIT 4—TYPISKE PRODUKTPARAMETRE

Trykaflastningsmekanisme træder i kraft ved:	241 kPa ± 24,1 kPa
Ændringer i maksimalt anbefalet flow, når tilbagetryk på 7k Pa påtrykkes:	0,7 L/min.
Filtre:	Kabinet (2), udgang HEPA og kompressorindtag.
Sikkerhedssystem:	Overspænding eller strømudfald. Kompressornedlukning pga. høj temperatur. Højt tryk-alarm m/kompressor- nedlukning. Lavt tryk-alarm m/kompressor- nedlukning. Batteriløs strømtabsalarm. SensO ₂ Oxygen System (SensO ₂ -model) lavt flow-alarm.
Bredde:	46,7 cm ± 1 cm
Højde:	67,0 cm ± 1 cm
Dybde:	36,5 cm ± 1 cm
Vægt:	IRC5LXAW, IRC5LXO2AW, IRC5LXO2AWQ 23,6 kg ± 1 kg
	IRC9LXO2AWQ 24,0 kg ± 1 kg
Forsendelsesvægt:	IRC5LXAW, IRC5LXO2AW, IRC5LXO2AWQ 26,8 kg ± 1 kg
	IRC9LXO2AWQ 27,2 kg ± 1 kg
Temperatur i driftsrum:	10 °C - 35 °C med en relativ luftfugtighed på 20-60 %.
Udblæsning:	Mindre end gennemsnitstemp. +19 °C
Illtudtag:	Mindre end gennemsnitstemp. +2 °C
Kabinet:	Slagfast flammehæmmet plastik- kabinet, som er i overensstemmelse med UL 94-V0.


AFSNIT 4—TYPISKE PRODUKTPARAMETRE

Regulativ liste:	<p>5LXAW/5LXO2AW/5LXO2AWQ/ 9LXO2AWQ</p> <p>ETL afprøvet i overensstemmelse med: EN55011 EN61000-3-2 EN61000-3-3 IEC 60601-1, A1, A2 IEC 60601-1-2</p> <p>Kun 5LXO2AW/5LXO2AWQ/ 9LXO2AWQ -modeller ISO8359 MDD</p>
CE-mærkede modeller:	5LXO2AW, 5LXO2AWQ, 9LXO2AWQ
Elektrisk:	Ingen forlængerledninger.
Placering:	Ikke tættere end 7,5 cm fra væg, møbler, forhæng eller lignende flader.
Slanger:	<p>IRC5LXAW, IRC5LXO2AW, IRC5LXO2AWQ 2,1 m kanyle med maksimalt 15,2 m Crush-Proof slange (MÅ IKKE klemmes).</p> <p>IRC9LXO2AWQ Anbefalet anvendelse op til 15,24m (50 ft) rørføring med højt flow og dræn ved alle alle flowrater.</p>
Relativ fugtighed:	20 til 60 %
Driftstid:	Op til 24 timer dagligt.
Anbefalede opbevarings- og forsendelsestemperaturer:	-29 °C til 65 °C ved en relativ luftfugtighed på 15-95 %.

SENSO₂-INDIKATORER

MÆRKAT-SYMBOL	STATUS	INDIKATORLAMPER (LYSDIODER)
O ₂	SYSTEM OKAY O ₂ over 85 % (±2 %)	GRØN indikatorlampe
	O ₂ mellem 73 % (±3 %) og 85 % (±2 %)	GUL indikatorlampe A. GUL konstant lys B. GUL blinkende sensor Fejl Tilkald en kvalificeret tekniker.
	SYSTEMFEJL O ₂ under 73 % (±3 %)	RØD indikatorlampe Se <i>Fejlfinding</i> på side 71.

LX-INDIKATORER

MÆRKAT-SYMBOL	STATUS	INDIKATORLAMPER (LYSDIODER)
I/O	SYSTEM OKAY	GRØN indikatorlampe
	SYSTEMFEJL	RØD indikatorlampe Kontinuerlig lydalarm Sieve-GARD™ -kompressor Nedlukning Tilkald en kvalificeret tekniker.

AFSNIT 5—BETJENING

Indledning

Iltkoncentratoren er beregnet til individuel brug i hjemmet. Det er en elektronisk styret enhed, som udskiller ilt fra luften i rummet. Derved leveres en høj koncentration af ilt direkte gennem en næseslange. Kliniske undersøgelser har dokumenteret, at iltkoncentratorer terapeutisk kan sidestilles med andre typer iltforsyningssystemer.

Din leverandør vil vise, hvordan du bruger iltkoncentratoren. Du kan kontakte leverandøren, hvis du har spørgsmål til eller problemer med iltkoncentratoren. Denne betjeningsvejledning indeholder oplysninger om koncentratoren, og den fungerer som reference i forbindelse med brug af koncentratoren.

Vælg et placeringssted

Du kan vælge det sted i huset, hvor anvendelse af iltkoncentratoren vil være mest bekvem. Koncentratoren kan nemt rulles fra ét rum til et andet, takket være hjulene.

Iltkoncentratoren vil fungere bedst under følgende forhold. Anvendelse i andre miljøer end de her beskrevne kan medføre behov for øget vedligeholdelse af udstyret. Luftindsugningen til enheden skal være placeret i et velventileret område, for at undgå luftbårne forureningsstoffer og/eller dampe.

Anbefalede retningslinjer for optimal ydelse

Temperatur:	10 °C - 35 °C
Elektrisk:	Ingen forlængerledninger.
Placering:	Ikke tættere end 7,5 cm fra væg, møbler, forhæng eller lignende flader.
Slang og kanyler:	IRC5LXAW, IRC5LXO2AW, IRC5LXO2AWQ 2,1 m kanyler med maksimalt 15,2 m Crush-Proof slange (MÅ IKKE klemmes).
	IRC9LXO2AWQ Anbefalet anvendelse op til 15,24m (50 ft) rørføring med højt flow og dræn ved alle alle flowrater.
Miljø:	Røg- og sodfrit. Ikke i lukkede rum (eksempel: Ikke i et skab).
Relativ fugtighed:	20 til 60 %
Driftstid:	Op til 24 timer dagligt.
Flowhastighed:	Mellem 0,5 L/min. og 5 L/min. Flowhastigheder på mindre end 1 L/min. anbefales ikke.
	IRC9LXO2AWQ 1 l/min. til 9 l/min. Flowrate mindre end 1 l/min. anbefales ikke.
Minimums-driftstid:	30 minutter

BEMÆRK: Sørg for, at koncentratoren er placeret mindst 7,5 cm fra vægge, forhæng eller møbler, for at sikre et tilstrækkeligt luftflow. Undgå placering på dybe tæpper, ved varmeapparater, radiatorer eller varmluftsspjæld.

Sæt netledningen i

1. Sæt netledningen i en stikkontakt.

Tilslut befugter (hvis dette er foreskrevet)

BEMÆRK: Vedrørende denne procedure, se FIGUR 5.1 på side 59, FIGUR 5.2 på side 59, FIGUR 5.3 på side 61 og FIGUR 5.4 på side 62.

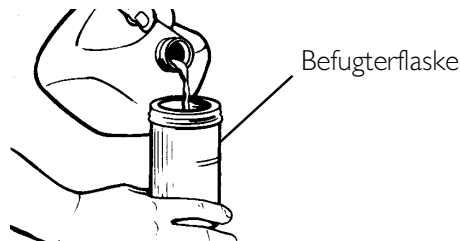
1. Fyld befugteren med destilleret vand til det niveau, producenten har anvist. (Kontakt Invacare for anbefalinger.)

⚠ ADVARSEL

OVERFYLD IKKE befugteren.

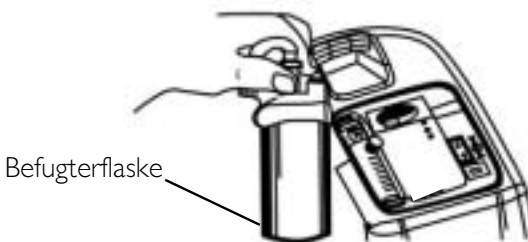
Påsæt atter befugterhætten og tilspænd den.

PAS PÅ IKKE AT bytte om på ilt-input og -outputtilslutningerne. Vand fra befugterflasken vil bevæge sig gennem kanylen tilbage til patienten.



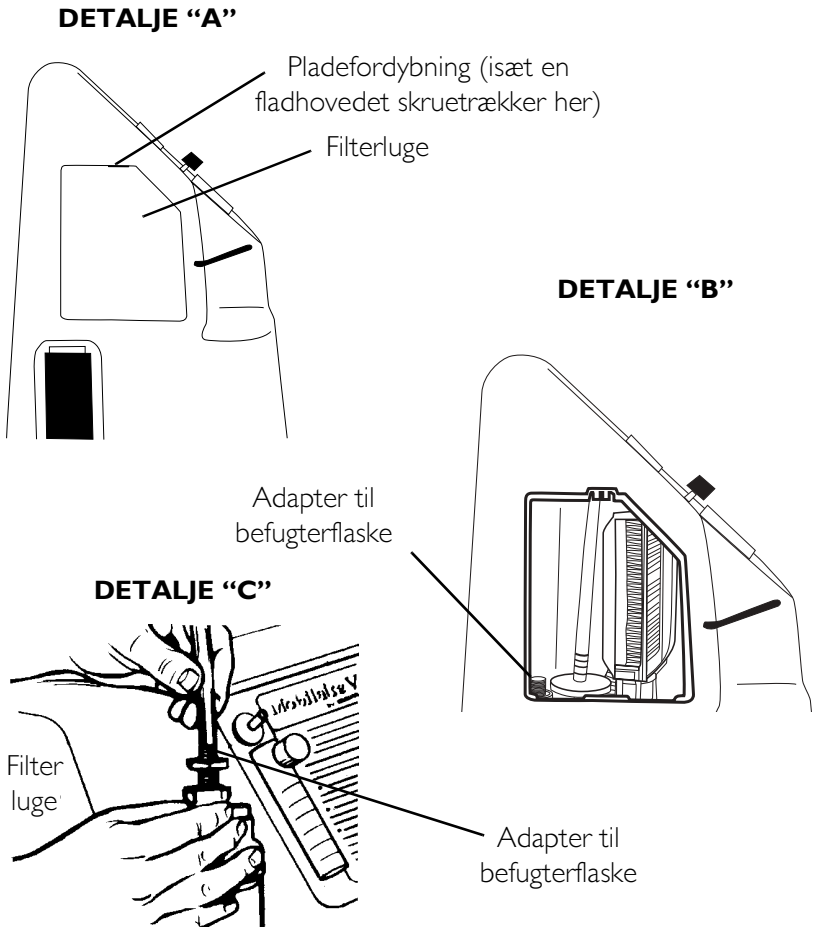
FIGUR 5.1 Fyldning af befugteren

2. Placér befugterflasken i befugterafdelingen.



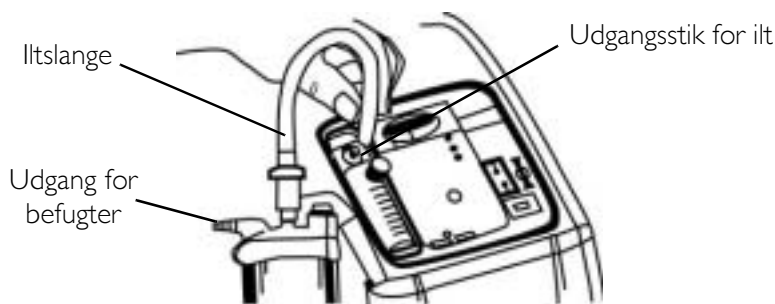
FIGUR 5.2 Befugterafdeling

3. Fjern filterlugen, der er placeret på siden af koncentratoren. Sæt en skruetrækker med fladt hoved i fordybningen langs filterlugens øverste kant, og lirk forsigtigt lugen op. Se detalje "A" i FIGUR 5.3.
4. Adapteren til befugteren er placeret ved siden af indtagsfiltret. Træk adapteren til befugterflasken op og fjern den. Se Detalje "B" på FIGUR 5.3.
5. Sæt den på befugteren ved at dreje vingemøtrikken på befugterflasken mod uret, indtil den er sikkert fastgjort. Se Detalje "C" på FIGUR 5.3.



FIGUR 5.3 Påsætning af adapter til befugterflaske

6. Sæt iltslangen fra befugterflasken fast på iltkoncentratorens iltudgangsstik.
7. Sæt kanylen/patientforsyningsslangen fast på befugterflaskens udgang.
8. Sørg efter monteringen for, at der kommer ilt ud af kanylen.
9. Påsæt atter filterlugen på siden af koncentratoren ved at klikke den på plads i pladefordybningen.



FIGUR 5.4 Tilslutning af iltslange

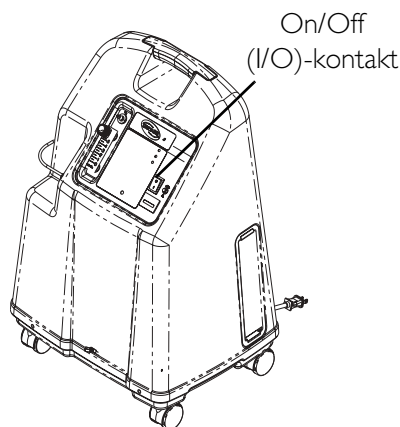
⚠ ADVARSEL

For optimal ydelse anbefaler Invacare, at den enkelte koncentrator tændes og kører i mindst 30 minutter ad gangen. Kortere driftsperioder kan mindske produktlevetiden.

Afbryderkontakt

BEMÆRK: Vedrørende denne procedure, se FIGUR 5.5.

1. Tryk på tænd/sluk-kontakten, så den er i On-position. Hele panelet oplyses, og der lyder en alarm i et sekund, hvilket indikerer, at enheden fungerer korrekt. Efter et sekund vil kun den GRØNNE System OK/netlampe forblive tændt.



FIGUR 5.5 Afbryderkontakt

Flowhastighed

BEMÆRK: Vedrørende denne procedure, se FIGUR 5.6.

1. Drej flowhastighedsknappen til den indstilling, der er foreskrevet af lægen/den behandlingsansvarlige.

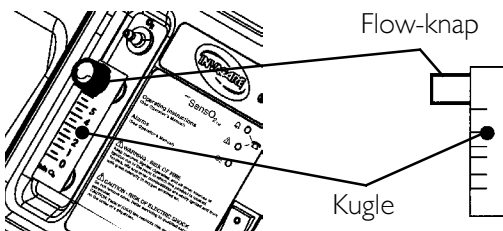
⚠ ADVARSEL

Der må IKKE ændres på L/min.-indstillingen på flowmåleren, medmindre en ændring er foreskrevet af lægen/den behandlingsansvarlige.

BEMÆRK: For korrekt aflæsning af flowmåleren skal du finde den foreskrevne flowhastighedslinje på flowmåleren. Drej derefter flowknappen, indtil kuglen hæves til den pågældende linje. Centrér nu kuglen på den foreskrevne L/min.-linje.

2. Hvis flowhastigheden på flowmåleren på noget tidspunkt falder til under 0,5 L/min. i mere end ca. et minut, vil LOW FLOW-alarmen blive udløst. Denne består af en række hurtige alarmbip. Kontroller slangen eller tilbehøret for blokering eller sammenklemning og kontroller, at befugterflasken ikke er defekt. Efter gendannelse af flowhastigheden til mere end 0,5 L/min. vil LOW FLOW-lydalarmen ophøre.

BEMÆRK: Brugen af visse former for tilbehør, f.eks. pædiatrisk flowstand og HomeFill-kompressoren, vil deaktivere Low Flow-alarmen.



FIGUR 5.6 Flowhastighed

SensO₂-indikatorer for iltrenhed (sensormodel LX O₂)

Denne funktion overvåger renheden af den ilt, der genereres af iltkoncentratoren. Hvis renheden falder til under de forudindstillede fabriksstandarder, tændes indikatorlamper på kontrolpanelet.

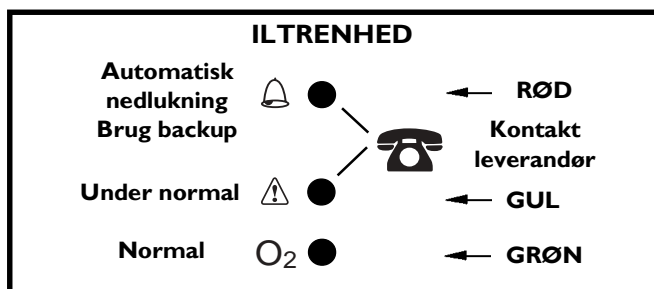
Indledende opstart af koncentratoren

BEMÆRK: Koncentratoren kan anvendes under den indledende opstarts-opvarmningstid (ca. 30 minutter), mens der ventes på, at O₂-renheden når sit maksimum.

Når enheden er tændt, lyser den GRØNNE lampe (SYSTEM OK/O₂ højere end 85 %). Efter fem minutter vil iltsensoren fungere normalt, og den vil herefter kontrollere indikatorlamperne, afhængigt af iltkoncentrationsværdierne.

Forklaring af iltrenheds-indikatorlamperne

BEMÆRK: Vedrørende denne procedure, se FIGUR 5.7.



FIGUR 5.7 SensO₂-indikatorer for iltrenhed (sensormodel LX O₂)

GRØN lampe (O₂) - normal drift.

GUL lampe (△) - kontakt leverandøren ØJEBLIKKELT. Du fortsætte med at bruge koncentratoren, medmindre leverandøren siger noget andet. Sørg for, at der er en backup-iltkilde i nærheden.

RØD lampe (△) - total nedlukning af enhed. Skift ØJEBLIKKELT til backup-iltforsyning. Kontakt leverandøren ØJEBLIKKELT (FIGUR 5.7).

GRØN lampe - med GUL blinkende lampe - kontakt leverandøren ØJEBLIKKELT. Fejlfunktion af iltensor. Du må fortsætte brugen af koncentratoren (FIGUR 5.7).

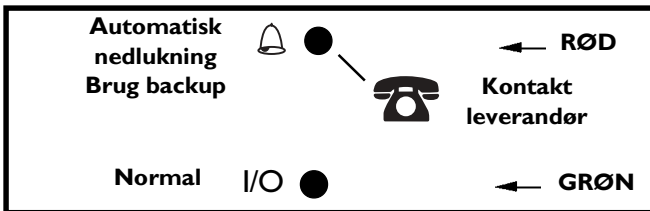
Indikatorer (model LX)

BEMÆRK: Vedrørende denne procedure, se FIGUR 5.8.

Forklaring af indikatorlamperne på LX-modeller

RØD lampe (△) - Total nedlukning af enhed. Skift ØJEBLIKKELT til backup-iltforsyning. Kontakt leverandøren ØJEBLIKKELT.

GRØN lampe (I/O) - On/Off. System OK.



FIGUR 5.8 Indikatorer (model LX)

Alarmsystem for tab af netstrøm

Alarmsystemet indeholder intet batteri, og der er derfor vedligeholdelsesfrit. Alarmsystemet får strøm fra en kondensator, der hele tiden oplades, og som er klar til at udløse alarmer i tilfælde af strømudfald.

Tæller for forløbet tid (timetæller)

Timetælleren viser det akkumulerede antal driftstimer.

AFSNIT 6—VEDLIGEHOJDELSE

BEMÆRK: Invacare-koncentratorerne er specifikt designede, så rutinevedligeholdelse minimeres. På steder, hvor der er meget støv eller sod, kan det være nødvendigt at udføre vedligeholdelse hyppigere. Kun autoriserede eller fabriksunderviste medarbejdere bør foretage forebyggende vedligeholdelse af koncentratoren. Strømmen skal afbrydes inden der foretages forebyggende vedligeholdelse af Invacare-koncentratoren.

BEMÆRK: Som minimum SKAL forebyggende vedligeholdelse udføres i henhold til retningslinjerne i vedligeholdelsesplanen. Se Plan for forebyggende vedligeholdelse, Invacare Platinum iltkoncentrator på side 69.

Rutinevedligeholdelse

BEMÆRK: Følgende rutinevedligeholdelse bør udføres hyppigere. Se de anbefalede intervaller i de enkelte afsnit samt planen for forebyggende vedligeholdelse.

Rensning af kabinetfilter

BEMÆRK: Vedrørende denne procedure, se FIGUR 6.1 på side 68.

FORSIGTIG

BRUG IKKE koncentratoren, hvis ikke filtrene er monteret.

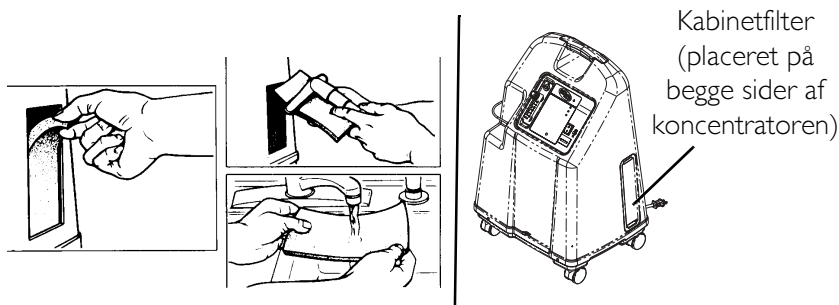
BEMÆRK: Der er to kabinetfiltre. Der er placeret et filter på hver side af kabinettet.

1. Fjern hvert filter og rengør det mindst én gang om ugen, afhængigt af de miljømæssige forhold.

BEMÆRK: Miljømæssige forhold, der kan kræve en hyppigere rengøring af filtrene, omfatter - men er ikke begrænset til: meget støv, rygning, luftforurening, mv.

2. Rengør kabinetfiltrene med en støvsuger, eller vask dem i varmt sæbevand, og skyld dem grundigt.

3. Tør filtrene grundigt inden genmontering.



FIGUR 6.1 Rensning af kabinetfilter

Kabinet

⚠ ADVARSEL

Tag stikket ud af stikkontakten ved rengøring af koncentratoren. AFTAG IKKE kabinettet, for at undgå elektrisk stød.

1. Rengør kabinettet med et mildt husholdningsrengøringsmiddel og en ikke-slibende klud eller en svamp.

Befugter

BEMÆRK: Iltbefugteren kan rengøres ved at følge producentens anvisninger. Hvis sådanne ikke er givet, skal nedenstående trin følges:

1. Rengør befugteren hver dag.
2. Vask den i sæbevand og skyl i en opløsning af ti dele vand og en del eddike.
3. Skyl grundigt med varmt vand, og påfyld destilleret vand til det niveau, der er vist på befugteren.

⚠ ADVARSEL**OVERFYLD IKKE** befugter-flasken.**PLAN FOR FOREBYGGENDE VEDLIGEHOELDELSE,
INVACARE PLATINUM ILTKONCENTRATOR**

Model nr. IRC _____

Serienr. _____

Ved hver inspektion

Registrér serviceringsdatoen						
Registrér timeantallet fra timetælleren						
Rengør kabinetfiltre						
Kontroller foreskrevet L/min. flowhastighed						
Årligt, Under plan for forebyggende vedligeholdelse, eller Mellem patienter						
Rengør/udskift kabinet Filtre						
Kontroller HEPA-filtre i udgang*						
Kontroller kompressorindgang Filter*						
Kontroller iltkoncentration (SensO ₂ -modeller)						
Kontroller alarm for strømsvigt						
Efter behov						
Rengør varmeveksler						
Udskift udblæsningsdæmper						
Genopbyg top-ende Kompressor						

Registrér serviceringsdatoen						
Hver 180 dage (model LX) **						
Kontroller iltkoncentration						

**BEMÆRK: Se afsnittet om forebyggende vedligeholdelse i servicemanualen.*

***BEMÆRK: Ikke for EU-lande.*

 ADVARSEL

Invacare-produkter er specifikt designede og produceret til brug sammen med Invacare-tilbehør. Tilbehør, der er designet af andre producenter, er ikke testet af Invacare, og anbefales ikke til brug sammen med Invacare-produkter.

AFSNIT 7—FEJLFINDING

SYMPTOM:	MULIG ÅRSAG:	LØSNING:
Alarm:	Strømfald:	
Kort bip, lang pause	1. Netledning IKKE sat i.	1. Sæt stikket i en stikkontakt.
Koncentrator fungerer ikke, der er tændt på strømafbyderen.	2. Ingen strøm i stikkontakt.	2. Kontroller husets sikringer. Brug en anden stikkontakt, hvis problemet vedvarer.
Bip.....Bip.....	3. Udløst automatsikring.	3. Tilkald en servicetekniker.
Alarm: Kontinuerlig Koncentrator fungerer ikke, der er tændt på strømafbyderen. Biiiiip....	Systemfejl: 1. Enheden overophedet pga. blokeret luftindtag. 2. Ikke strøm nok i stikkontakt. 3. Indvendige reparationer påkrævet	1a. Aftag og rengør kabinetfiltre. 1b. Flyt iltkoncentratoren, så den er mindst 7,5 cm fra vægge, forhæng og møbler. 2. BRUG IKKE forlængerledninger. Skift til en anden stikkontakt eller sikringsgruppe. 3. Tilkald en servicetekniker.

SYMPTOM:	MULIG ÅRSAG:	LØSNING:
<p>GUL eller RØD lampe tændt.</p> <p>Alarm: Kontinuerlig Kun ved rød lampe.</p> <p>* Gælder kun for SensO₂-modeller.</p>	<p>1. Lav iltrenhed.*</p> <p>2. Sammenklemt eller blokeret slange, kanyle eller befugter.*</p> <p>3. Flowmåler indstillet til 0,5 L/min. eller mindre.*</p> <p>4. Enheden overophedet pga. blokeret luftindtag.</p> <p>5. Ikke strøm nok i stikkontakt.</p> <p>6. Indvendige reparationer påkrævet.</p>	<p>1. Rengør eller udskift filtre.</p> <p>2. Kontroller, om der er sammenklemning eller blokeringer. Korrigér, rengør eller udskift delen. Når korrektion er foretaget, skal apparatet slukkes i 60 sekunder og derefter tændes igen.</p> <p>3. Kontroller, at flowmåleren er indstillet til 1,0 L/min. eller mere. (Se <u>Anbefalede retningslinjer for optimal ydelse</u> på side 58.</p> <p>4a. Aftag og rengør kabinetfiltre.</p> <p>4b. Flyt koncentratoren, så den er mindst 7,5 cm fra vægge, forhæng og møbler.</p> <p>5. BRUG IKKE forlængerledninger. Skift til en anden stikkontakt eller sikringsgruppe.</p> <p>6. Tilkald en servicetekniker.</p>
<p>GRØN lampe GUL lampe blinker.</p>	<p>1. Indvendige reparationer påkrævet.</p>	<p>1. Tilkald en servicetekniker.</p>

SYMPTOM:	MULIG ÅRSAG:	LØSNING:
Alarm: HURTIG Bip...Bip... Bip...Bip	Alarm for lav flowhastighed: Ia. Sammenklemt eller blokeret slange, kanyle eller befugter. Ib. Flowmåler indstillet til 0,5 L/min. eller mindre.	Ia. Kontroller, om der er sammenklemning eller blokeringer. Korrigér, rengør eller udskift delen. Når korrektion er foretaget, skal strømmen slås FRA i 60 sekunder og derefter slås TIL igen. Ib. Indstil atter flowmåleren til den foreskrevne flowhastighed. Flowhastigheder på mindre end 1 L/min. anbefales ikke.

BEGRÆNSET GARANTI

Danmark:

Invacare AIS, Sdr. Ringvej 39, DK-2605 Brøndby

Tlf: (45) (0)36 90 00 00, Fax: (45) (0)36 90 00 01

denmark@invacare.com

Användarhandbok

Platinum™ 

Syrgaskoncentratorer
med *SensO₂*® och *HomeFill*™

Modell IRC5LXAW
Modell IRC5LXO2AW
Modell IRC5LXO2AWQ
Modell IRC9LXO2AWQ

Försäljare: Denna handbok måste levereras till slutanvändaren.

Användare: Läs igenom denna handbok innan koncentratorn tas i bruk och spara den sedan för framtida referens.

**Mer information om produkter,
komponenter och service från Invacare
finns på www.invacare.com**



Yes, you can.

⚠ VARNING

ANVÄND INTE DENNA UTRUSTNING UTAN ATT FÖRST HA LÄST IGENOM OCH FÖRSTÅTT INNEHÅLLET I HANDBOKEN. OM DU INTE FÖRSTÅR VARNINGAR, FÖRSIKTIGHETSBEAKTANDEN OCH INSTRUKTIONER, SKA DU KONTAKTA INVACARE TEKNISK SERVICE INNAN DU ANVÄNDER DENNA UTRUSTNING - ANNARS FINNS DET RISK FÖR ALLVARLIGA PERSON- ELLER EGENDOMSSKADOR.

TILLBEHÖR

Det finns många olika typer av befuktare, syrgasslangar, kanyler och masker som kan användas tillsammans med den här enheten. Du bör kontakta närmaste leverantör av sjukvårdsutrustning för att få rekommendationer om vilka av dessa tillbehör som passar dig bäst. De kan även ge dig råd om lämplig användning, underhåll och rengöring.

⚠ VARNING

Produkter från Invacare är specifikt avsedda att användas tillsammans med tillbehör från Invacare. Tillbehör som utvecklats av annan tillverkare har inte testats av Invacare och rekommenderas inte för användning med Invacare-produkter.

OBS: Uppdaterade versioner av denna handbok finns tillgängliga på www.invacare.com.

SÄRSKILDA ANMÄRKNINGAR

Signalord används i denna handbok för att uppmärksamma användaren på risker eller farlig hantering som kan resultera i person- eller egendomsskador. Se följande tabell för definitioner av signalorden.

SIGNALORD	BETYDELSE
FARA	Fara anger en överhängande farlig situation som, om den inte förhindras, kommer att resultera i dödsfall eller allvarlig personskada.
VARNING	Varning anger en potentiellt farlig situation som, om den inte förhindras, kan resultera i dödsfall eller allvarlig personskada.
FÖRSIKTIGT	Försiktigt anger en potentiellt farlig situation som, om den inte förhindras, kan resultera i materiella skador.

OBS

Informationen i detta dokument kan ändras utan föregående meddelande.

FARA

Användare **FÅR INTE RÖKA** i närheten av denna apparat. Tändstickor, cigaretter och andra antändningsartiklar får inte förvaras i det rum där denna enhet är placerad. rökning förbjuden-skyltar bör placeras ut väl synliga. Textilier och andra material som vanligtvis inte brinner, är lättantändliga och brinner med stor intensitet i syrgasberikad luft. Underlåtenhet att beakta denna varning kan resultera i svår brand, egendoms- och personskador samt dödsfall.

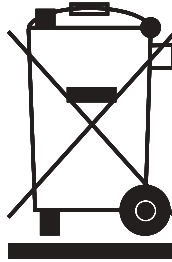
ÅTERVINNINGSSINFORMATION

Denna produkt är tillverkad av en miljömedveten producent som efterlever direktivet Waste Electrical and Electronic Equipment (WEEE) 2002/96/CE.

Den här produkten kan innehålla substanser som är farliga för miljön om den kasseras på platser (sopstationer) som enligt lagen är olämpliga.

Symbolen med den överkryssade soptunnan är placerad på denna utrustning för att uppmana dig att återvinna närhelst detta är möjligt.

Ta ditt miljöansvar och återvinn denna produkt på en lämplig återvinningsstation när den är förbrukad.



AVSNITT I — ALLMÄNNA RIKTLINJER

VARNING

AVSNITT I — ALLMÄNNA RIKTLINJER innehåller viktig information om säker drift och hantering av denna produkt. Använd **INTE** denna produkt och eventuell tillbehörsutrustning utan att först ordentligt ha läst igenom och förstått dessa instruktioner och ytterligare instruktionsmaterial som användarhandböcker, servicehandböcker eller instruktionsblad som medföljer denna produkt eller tillbehör. Om du inte förstår varningar, försiktighetsbeaktanden eller instruktioner ska du kontakta sjukvårdspersonal, försäljare eller tekniker innan utrustningen tas i bruk – annars finns det risk för person- och egendomsskador.

För att säkerställa att Platinum-koncentratoren installeras, monteras och drivs på ett säkert sätt **MÅSTE** nedanstående instruktioner följas.

FÖRSIKTIGT

”Försiktigt: Beroende på aktuell lagstiftning kan försäljning av denna produkt begränsas till att ske av läkare, på en läkares ordination eller av andra medicinskt utbildade personer som är godkända av statliga myndigheter där han/hon använder eller begär att få använda denna utrustning.”

FARA

Risk för elektriska stötar. **FÅR INTE** monteras isär. Instrumentservice ska utföras av utbildad servicepersonal.

⚠ VARNINGAR

Behandling med syrgas kräver att särskilda försiktighetsåtgärder vidtas för att minska brandrisken. Alla material som brinner i luft, och en del som inte gör det, är lättantändliga och brinner snabbt vid höga syrgaskoncentrationer. Av säkerhetsskäl måste alla tänkbara antändningskällor hållas borta från enheten och helst inte finnas i rummet där utrustningen används. RÖKNING FÖRBJUDEN-skyltar bör placeras ut väl synliga.

En spontan och kraftig antändning kan uppstå om olja, fett eller feta substanser kommer i kontakt med syrgas under tryck. Sådana substanser **MÅSTE** därför hållas borta från syrgaskoncentrator, slangar och anslutningar samt all annan syrgasutrustning. Använd **INTE** några typer av smörjmedel såvida Invacare inte uttryckligen har rekommenderat detta.

För optimal funktion rekommenderar Invacare att koncentratorn ska vara igång i minst 30 minuter åt gången. Kortare driftsperioder kan förkorta produktens livslängd.

Om koncentratorn har en skadad sladd eller kontakt, om den inte fungerar som den ska, om den har tappats eller skadats eller hamnat i vatten ska en utbildad servicetekniker kontaktas för att undersöka utrustningen och reparera den.

Håll syrgasslangar, sladdar och enheten på behörigt avstånd från upphettade eller varma ytor, inklusive värmeelement, värmefiltar, elektriska kaminer och liknande elektrisk utrustning.

Koncentratorn får **INTE** flyttas genom att man drar i sladden.

Föremål får under **INGA** omständigheter infogas i någon av utrustningens öppningar.

⚠ VARNINGAR

Utrustningens luftöppningar får ALDRIG blockeras. Utrustningen får inte heller placeras på ett mjukt underlag, t.ex. en säng eller soffa, eftersom det då finns risk för att luftöppningen blockeras. Håll öppningarna fria från ludd, hår och liknande.

Fyll befuktaren med vatten, upp till den nivå som tillverkaren rekommenderar. Överfyll INTE.

Placera enheten på minst 7,5 cm avstånd från väggar, draperier, möbler och liknande.

Invacare rekommenderar att en krossäker syrgasslang (från Invacare) används tillsammans med denna produkt och att den INTE är längre än 15,2 m. Rekommenderad användning för Platinum 9 är upp till 15-meters rör med högt genomflöde.

Underhåll

Invacare syrgaskoncentrator är speciellt utvecklad för att minimera det rutinmässiga förebyggande underhållet till en gång per år. Bara utbildad sjukvårdspersonal eller personer som är fullkomligt förtrogna med denna process, t.ex. auktoriserad eller fabriksutbildad personal, får utföra det förebyggande underhållet eller göra justeringar på syrgaskoncentratorn.

Radiofrekvent störning

De flesta elektroniska utrustningar påverkas av radiofrekvent störning. Därför bör bärbar kommunikationsutrustning användas med försiktighet i närheten av denna enhet.

Minska risken för brännskador, livsfarliga elektriska stötar, brand eller personskador

Undvik att använda enheten i samband med bad. Om läkaren har ordinerat oavbruten användning:

Koncentratoren måste placeras i ett annat rum, minst 2,1 m från badet.

Du får inte komma i kontakt med enheten när du är blöt.

Enheten bör ALDRIG lämnas utan uppsikt när den är ansluten.

Enheten får INTE placeras eller förvaras på en plats där den riskerar att hamna i vatten eller annan vätska.

Vidrör INTE en enhet som har ramlat i vatten. Dra OMEDELBART ut väggkontakten.

Denna enhet ska användas i enlighet med läkarens ordinationer och tillverkarens instruktioner. Om patienten eller vårdaren tycker att patienten får otillräckligt med syrgas, ska tillverkaren och/eller läkaren OMEDELBART kontaktas. Flödes hastigheten får inte ändras annat än på läkarens ordination.

Noggrann övervakning är nödvändig när denna produkt används i närheten av barn eller rörelsehindrade personer.

Denna enhet får bara användas på det avsedda sättet i enlighet med instruktionerna i denna handbok.

Koncentratoren får INTE anslutas parallellt eller seriellt med andra syrgaskoncentratorer eller -utrustningar.

Om andra tillbehör eller befuktare används, än de som särskilt rekommenderats för användning i kombination med syrgaskoncentratorer, kan prestandan påverkas.

Under vissa förhållanden kan syrgasbehandling innebära fara. Invacare rekommenderar att du konsulterar läkare innan du använder denna utrustning.

Denna enhet ska betraktas som ett syretillskott och är inte avsedd för livsuppehållande eller livräddande ändamål.

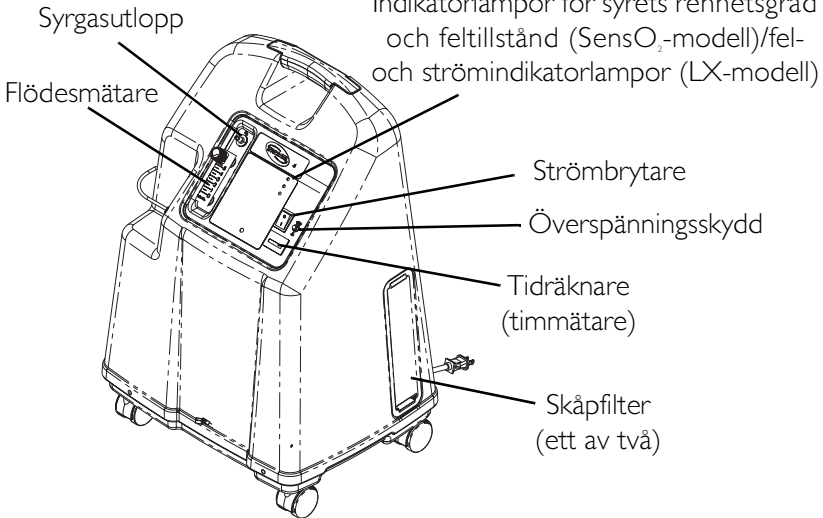
Undvik alla former av gnistbildning i närheten av medicinsk syrgasutrustning. Det inbegriper även gnistor på grund av statisk elektricitet via någon typ av friktion.

Syrgaskoncentration

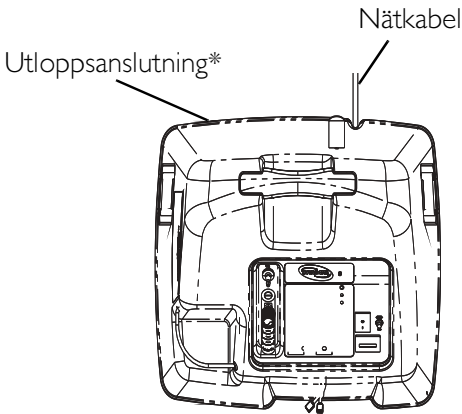
Var noga med att inte ställa in flödet högre än den RÖDA ringen. Ett syrgasflöde som är större än 5 l/min. (IRC5LXO2AW, IRC5LXAW, IRC5LXO2AWQ) och 9 l/min. (IRC9LXO2AWQ) minskar syrekoncentrationen.

AVSNITT 2— FUNKTIONER

FRAMSIDA



**OBS: Denna utloppsanslutning ska endast användas för att fylla på syrgascylindrarna med hjälp av HomeFill syrgaskompressor för hemmabruk. Utloppsanslutningen påverkar inte koncentratorns prestanda. I användarhandboken till HomeFill, artikelnummer 1145806, finns information om anslutning och användning. När utloppsanslutningen inte används ska den pluggas igen med proppen som medföljer koncentratorn. Kontakta Invacare om du vill ha mer information om HomeFill.*



OVANIFRÅN

TILLBEHÖR (VISAS EJ):

HomeFill syrgaskompressor för hemmabruk

Kontakta närmaste Invacare-representant för information om tillgängliga tillbehör.

AVSNITT 3— TRANSPORT OCH HANTERING

OBS: För denna procedur, se FIGUR 3.1.

Innan du installerar och använder koncentratorn ska du läsa Platinum-seriens användarhandbok.

Platinum-koncentratorn bör ALLTID förvaras i upprätt läge för att förhindra att skåpet skadas vid transport. Transportförpackningen är utformad för att erbjuda maximalt skydd för koncentratorn.

Om koncentratorn måste skickas tillbaka med allmänna transportmedel bör den förpackas i en ny kartong. Nya kartonger kan beställas från Invacare.

Upphängningssystemet till luftkompressorn har konstruerats för att klara kraftiga rörelser och lägesväxlingar.

Packa upp

1. Kontrollera om det finns några uppenbara skador på kartongen eller innehållet. Om du finner uppenbara skador ska du kontakta transportbolaget eller Invacare.
2. Avlägsna alla lösa emballagedelar från kartongen.
3. Lyft försiktigt upp alla komponenter ur kartongen.

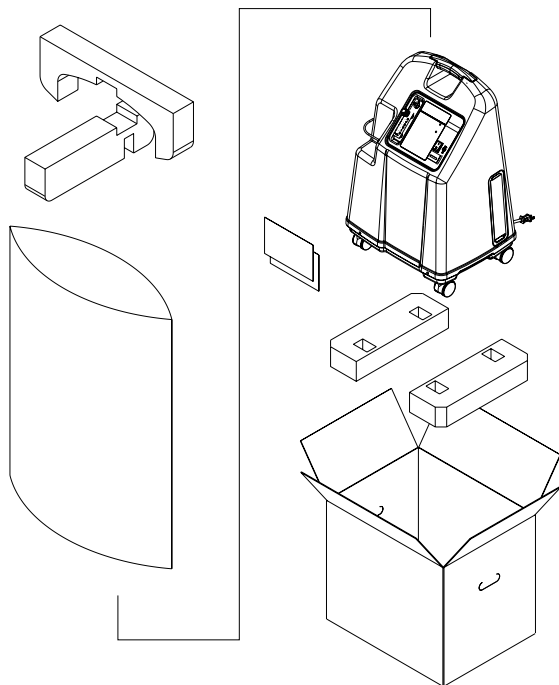
OBS: Behåll kartongen och förpackningsmaterialet för den händelse att Platinum måste förvaras oanvänd under längre tid.

Inspektion

1. Undersök syrgaskoncentratorns utsida avseende hack, bucklor, repor eller andra skador. Inspektera alla komponenter.








Förvaring

1. Förvara den förpackade syrgaskoncentratorn på en torr plats.
2. Placera INTE andra föremål ovanpå den förpackade enheten.



FIGUR 3.1 Packa upp

AVSNITT 4— VANLIGA PRODUKTPARAMETRAR

Tillsynsförteckning:	EN/IEC 60601-1
	Växelström
	Typ BF-utrustning
	Enheten påslagen
	Enheten avstängd
	Obs! – Läs medföljande dokumentation
	Rökning INTE tillåten
	Klass II, dubbel isolering

Elektriska krav:	230 VAC ± 10 % (253 VAC/207 VAC), 50 Hz
Beräknad inström:	1,4 A (IRC5LXO2AWQ)
	2,0 A (IRC5LXAW, IRC5LXO2AW)
	2,5 A (IRC9LXO2AWQ)
Ljudnivå:	39,5 dB genomsnittlig (IRC5LXO2AWQ)
	44 dB genomsnittlig (IRC5LXAW, IRC5LXO2AW)
	50 dB genomsnittlig (IRC9LXO2AWQ)

Höjd över havet:	IRC5LXAW, IRC5LXO2AW IRC5LXO2AWQ Upp till 1 828 meter över havsnivån utan att koncentrationnivåerna minskar. ENHETEN REKOMMENDERAS INTE FÖR ANVÄNDNING OVANFÖR 1 828 meter
	IRC9LXO2AWQ - Upp till 4 000 fot (1 230 meter) över havet utan degradering av koncentrationnivåer. För 4 000 fot (1 230 meter) till 13 129 fot (4 000 meter) under 90 % effektivitet.
*Syrgasutflöde Koncentrationsnivåer: Alla 5LXO2AWQ/5LXAW/ 5LXO2AW/9LXO2AWQ-m odeller Fastställda koncentrationsnivåer som uppnåtts efter initial uppvärmningsfas (cirka 30 minuter).	IRC5LXAW, IRC5LXO2AW, IRC5LXO2AWQ minst 93 % vid 1 till 3 L/min. minst 91 % vid 4 L/min. minst 87 % vid 5 L/min. (maximalt rekommenderat flöde) IRC9LXO2AWQ 93 % minimum vid 1 till 7 l/min. 91 % minimum vid 8 l/min. 87 % minimum vid 9 l/min.
Maximalt utloppstryck:	IRC5LXAW, IRC5LXO2AW, IRC5LXO2AWQ 34,5 ± 3,45 kPa
	IRC9LXO2AWQ 62,0 kPa ± 3,45 kPa (5 ± 0.5 psi)
Flödes hastighet:	IRC5LXAW, IRC5LXO2AW, IRC5LXO2AWQ 0,5 till 5 L/min. Lägre flödes hastigheter än 1 L/min. rekommenderas inte
	IRC9LXO2AWQ 1 l/min. till 9 l/min. Flöden under 1 l/min. rekommenderas inte.
Lågt flöde-larm:	0 L/min. till 0,5 L/min. Snabbt pipande ljudlarm (inga tillbehör anslutna).

AVSNITT 4— VANLIGA PRODUKTPARAMETRAR

Genomsnittlig effektförbrukning:	(IRC5LXO2AWQ) 300 W 280 W @ ≤ 3 L/min
	(IRC5LXO2AW) 365 W 340 W @ ≤ 3 L/min
	380 W (IRC5LXAW)
	500 W (IRC9LXO2AWQ)
Specifikationer för säkerhetsventilmekanismen:	24 l kPa \pm 24, l kPa
Förändring i maximalt rekommenderat flöde när ett insugningstryck på 7 kPa tillämpas:	0,7 L/min.
Filter:	Skåp (2), HEPA-utlopp och kompressorinlopp.
Säkerhetssystem:	Avstängning på grund av strömöverbelastning. Kompressoravstängning p.g.a. höga temperaturer. Högtryckslarm med kompressoravstängning. Lågtryckslarm med kompressoravstängning. Batterifritt larm för energiförlust. SensO ₂ syrgassystem (SensO ₂ -modell) lågt flöde-larm.
Bredd:	46,7 cm \pm 1 cm
Höjd:	67,0 cm \pm 1 cm
Djup:	36,5 cm \pm 1 cm
Vikt:	IRC5LXAW, IRC5LXO2AW, IRC5LXO2AWQ 23,6 kg \pm 1 kg
	IRC9LXO2AWQ 24,0 kg \pm 1 kg



AVSNITT 4— VANLIGA PRODUKTPARAMETRAR

Transportvikt:	IRC5LXAW, IRC5LXO2AW, IRC5LXO2AWQ 26,8 kg ± 1 kg
	IRC9LXO2AWQ 27,2 kg ± 1 kg
Omgivande drifts- temperatur:	10 °C–35 °C vid 20–60 % relativ luftfuktighet.
Utlopp:	Lägre än omgivande +19 °C.
Syrgasutflöde:	Lägre än omgivande +2 °C.
Skåp:	Slagtåligt, flamskyddat plast- skåp som uppfyller UL 94-V0.
Tillsynsförteckning:	5LXAW/5LXO2AW/5LXO2AWQ/ 9LXO2AWQ ETL-testad, uppfyllande kraven i: EN55011 EN61000-3-2 EN61000-3-3 IEC 60601-1, A1, A2 IEC 60601-1-2 5LXO2AW/5LXO2AWQ/9LXO2AWQ-mod eller endast ISO8359 MDD
CE-märkta modeller:	5LXO2AW, 5LXO2AWQ, 9LXO2AWQ
Elektricitet:	Inga förlängningssladdar.
Placering:	Minst 7,5 cm från väggar, möbler, draperier och annat.
Slangar:	IRC5LXAW, IRC5LXO2AW, IRC5LXO2AWQ 2,1 m kanyl med maximalt 15,2 m krossäker slang (Får EJ klämmas).
	IRC9LXO2AWQ Rekommenderad användning upp till 15-meters rör med högt genomflöde med kanyl för högt genomflöde vid alla flödeshastigheter.
Relativ fuktighet:	20 till 60 %
Driftslängd:	Upp till 24 timmar per dag.


AVSNITT 4— VANLIGA PRODUKTPARAMETRAR

Rekommenderad förvarings- och transporttemperatur:	-29 °C–65 °C vid 15–95 % relativ luftfuktighet.
---	--

SENSO₂-INDIKATORER

ETIKETT-SYMBOL	STATUS	INDIKATORLAMPOR (LED)
O ₂	SYSTEM OK O ₂ över 85 % (±2 %)	GRÖN indikatorlampa
	O ₂ Mellan 73 % (±3 %) och 85 % (±2 %)	GUL indikatorlampa A. Fast GULT ljus B. Blinkande GULT ljus, sensor- fel Kontakta kvalificerad tekniker.
	SYSTEMFEL O ₂ under 73 % (±3 %)	RÖD indikatorlampa Se <u>Felsökningsguide</u> på sidan 106.

LX-INDIKATORER

ETIKETT-SYMBOL	STATUS	INDIKATORLAMPOR (LED)
I/O	SYSTEM OK	GRÖN indikatorlampa
	SYSTEMFEL	RÖD indikatorlampa Ihållande ljudlarm, Sieve-GARD™ -kompressor- avstängning Kontakta kvalificerad tekniker.

AVSNITT 5— BRUKSANVISNING

Introduktion

Syrgaskoncentratoren är avsedd för personligt bruk i hemmet. Det är en elektroniskt styrd enhet som separerar syrgas från rumsluften. Den förser dig med höga koncentrationer syrgas via en näskateter. Kliniska studier har visat att behandling med syrgaskoncentratorer är likvärdig andra typer leveranssystem för syrgas.

Din leverantör visar dig hur syrgaskoncentratoren ska användas. Det är också leverantören du bör kontakta om du har frågor eller problem när det gäller syrgaskoncentratoren. Den här användarhandboken innehåller information om koncentratoren och fungerar som referens under användningen.

Välj en plats

Välj ett rum i ditt hem som känns som den mest bekväma platsen att använda syrgaskoncentratoren på. Koncentratoren kan enkelt rullas från rum till rum i sin ställning.

Syrgaskoncentratoren fungerar bäst under de förhållanden som redovisas i tabellen nedan. Användning under andra förhållanden än de som beskrivs kan resultera i ett ökat underhållsbehov. Det är viktigt att enhetens luftintag placeras på en plats med god ventilation för att undvika luftburna föroreningar och/eller ångor.

Rekommenderade förhållanden för optimal funktion

Temperatur:	10 °C till 35 °C
Elektricitet:	Inga förlängningssladdar.
Placering:	Minst 7,5 cm från väggar, möbler, draperier och annat.
Slangar och kanyl:	IRC5LXAW, IRC5LXO2AW, IRC5LXO2AWQ 2,1 m kanyl med maximalt 15,2 m krossäker slang (får EJ klämmas).
	IRC9LXO2AWQ Rekommenderad användning upp till 15-meters rör med högt genomflöde med kanyl för högt genomflöde vid alla flödes hastigheter.
Miljö:	Rök- och sotfri. Inga slutna utrymmen (exempelvis garderober).
Relativ fuktighet:	20 till 60 %
Driftslängd:	Upp till 24 timmar per dag.
Flödes hastighet	IRC5LXAW, IRC5LXO2AW, IRC5LXO2AWQ Från 0,5 L/min. till 5 L/min. Lägre flödes hastigheter än 1 L/min. rekommenderas inte.
	IRC9LXO2AWQ 1 l/min. till 9 l/min. Flöden under 1 l/min. rekommenderas inte.
Minsta driftstid:	30 minuter

OBS: Kontrollera att koncentratorn står minst 7,5 cm från väggar, draperier eller möbler för att säkerställa tillräckligt luftflöde. Placera på behörigt avstånd från tjocka mattor, värmeelement, kylare och varmluftsmätare.

Anslut nätkabeln

1. Anslut nätkabeln till ett eluttag.

Anslut befuktaren (om detta är ordinerat)

OBS: För denna procedur, se FIGUR 5.1 på sidan 94, FIGUR 5.2 på sidan 95, FIGUR 5.3 på sidan 96 och FIGUR 5.4 på sidan 97.

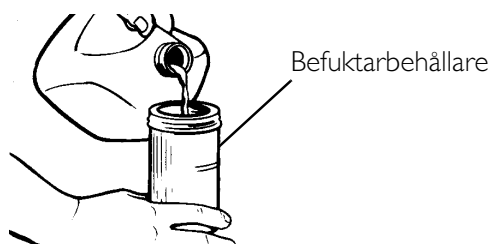
1. Fyll befuktaren med destillerat vatten upp till den nivå som anges av tillverkaren. (Kontakta Invacare för rekommendationer.)

⚠ VARNING

Överfyll INTE befuktaren.

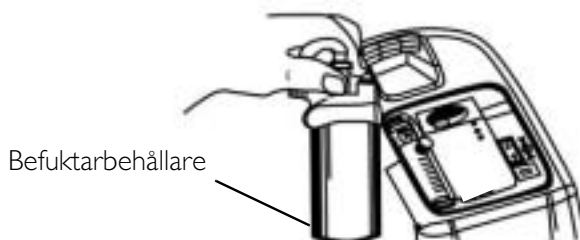
Sätt tillbaka locket på befuktaren och kontrollera att det sitter ordentligt.

Förväxla INTE in- och utanslutningarna för syrgasen. Vatten från befuktarbehållaren färdas via kanylen tillbaka till patienten.



FIGUR 5.1 Fylla på befuktaren

2. Placera befuktarbehållaren i befuktarfacket.

**FIGUR 5.2** Befuktarfack

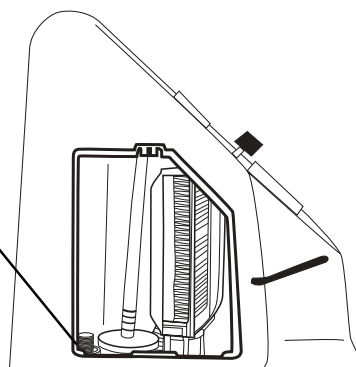
3. Ta bort filterluckan på koncentratorns sida. För in en skruvmejsel med platt spets i plåtskåran högst upp på filterluckan och bänd sedan försiktigt upp luckan. Se detalj A på FIGUR 5.3.
4. Befuktaradaptorn sitter bredvid inloppsfiltret. Dra upp och ta bort adaptorn till befuktarbehållaren. Se Detalj B i FIGUR 5.3.
5. Anslut den till befuktaren genom att vrida vingmuttern på befuktarbehållaren moturs tills den sitter stadigt. Se Detalj C i FIGUR 5.3.

DETALJ A

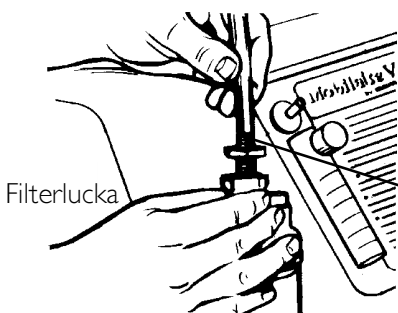


DETALJ B

Adapter till befuktarbehållare



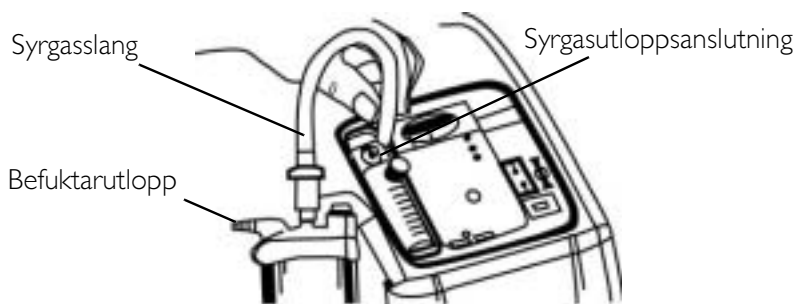
DETALJ C



Adapter till befuktarbehållare

FIGUR 5.3 Ansluta adaptern till befuktarbehållaren

6. Anslut syrgasslangen från befuktarbehållaren till syrgasutloppsanslutningen på syrgaskoncentratoren.
7. Anslut kanyl/patient-slangen till befuktarbehållarens utlopp.
8. När monteringen är klar ska du kontrollera att syrgasen strömmar via kanylen.
9. Sätt tillbaka filterluckan på koncentratorns sida genom att knäppa fast den i plåtskåran igen.



FIGUR 5.4 Ansluta syrgasslangen

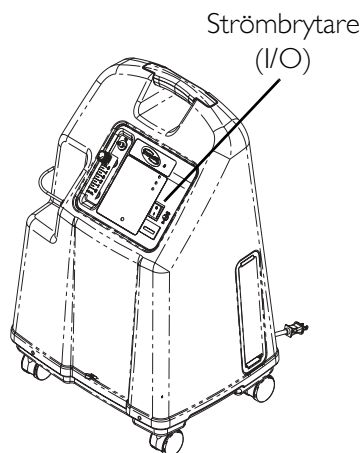
⚠ VARNING

För optimal funktion rekommenderar Invacare att koncentratorn ska vara igång i minst 30 minuter åt gången. Kortare driftsperioder kan förkorta produktens livslängd.

Strömbrytare

OBS: För denna procedur, se FIGUR 5.5.

1. Starta enheten genom att trycka på strömbrytaren. Alla indikatorlampor tänds och larmet aktiveras under en sekund för att tala om att enheten fungerar som den ska. Efter en sekund lyser bara den GRÖNA lampan som talar om att systemet är ok och att strömmen är på.



FIGUR 5.5 Strömbrytare

Flödes hastighet

OBS: För denna procedur, se FIGUR 5.6.

1. Vrid ratten för flödes hastighet till den inställning som läkaren ordinerat.

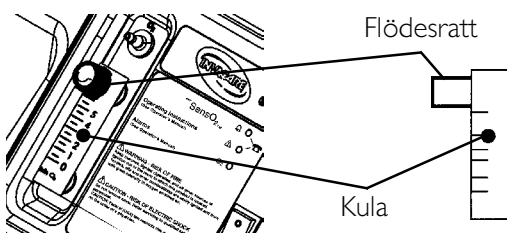
⚠ VARNING

Ändra INTE inställningen för L/min. på flödesmätaren såvida din läkare inte har ordinerat en sådan ändring.

OBS: För att kunna avläsa flödesmätaren korrekt börjar du med att lokalisera linjen för den ordinerade flödes hastigheten på mätaren. Vrid sedan på ratten tills kulan stiger upp till linjen. Nu placerar du kulan mitt på den ordinerade L/min-linjen.

2. Om flödes hastigheten skulle sjunka under 0,5 L/min. i mer än en minut, kommer LÅGT FLÖDE-larmet att aktiveras. Det är ett ljudlarm som består av snabba pipsignaler. Kontrollera att slangar och tillbehör inte är tilltäppta eller veckade och att befuktarebehållaren inte är skadad. När flödes hastigheten är återställd till mer än 0,5 L/min., tystnar LÅGT FLÖDE-larmet.

OBS: Användning av vissa tillbehör, t.ex. flödesstativet för barn och kompressorn HomeFill avaktiverar LÅGT FLÖDE-larmet.



FIGUR 5.6 Flödes hastighet

SensO₂ Indikatorlampor för renheten i syret (LX O₂ Sensor-modell)

Denna kontrollfunktion övervakar renheten i syret som genereras av syrgaskoncentratoren. Om renheten sjunker under de förinställda nivåerna tänds indikatorlampor på kontrollpanelen.

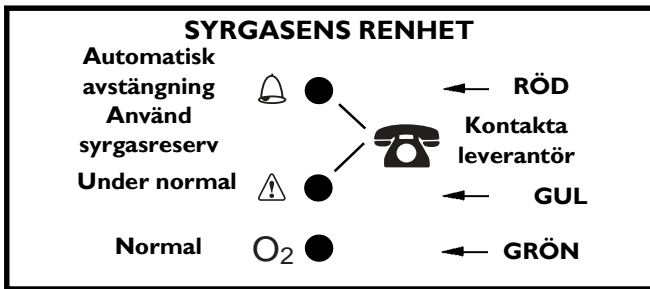
Initial startprocedur för koncentratoren

OBS: Koncentratoren kan användas under den initiala uppvärmningen (cirka 30 min.) fram tills O₂-renheten når sin maxnivå.

När enheten startas tänds den GRÖNA lampan (SYSTEM OK/O₂ högre än 85 %). Efter fem minuter fungerar syrgassensorn normalt och kontrollerar indikatorlamporna beroende på syrgaskoncentrationsvärden.

Förklaring till indikatorlamporna för syrgasens renhet

OBS: För denna procedur, se FIGUR 5.7.



FIGUR 5.7 SensO₂ Indikatorlampor för renheten i syret (LX O₂ Sensor-modell)

GRÖN lampa (O₂) – normal drift.

GUL lampa (△) – kontakta leverantören OMEDELBART. Du kan fortsätta att använda koncentratorn såvida leverantören inte har sagt något annat. Försäkra dig om att syrgasreserven finns i närheten.

RÖD lampa (△) – total avstängning. Växla OMEDELBART till syrgasreserven. Kontakta leverantören OMEDELBART (FIGUR 5.7).

GRÖN lampa – med GUL blinkande lampa – kontakta leverantören OMEDELBART. Syrgassensorn är defekt; du kan fortsätta att använda koncentratorn (FIGUR 5.7).

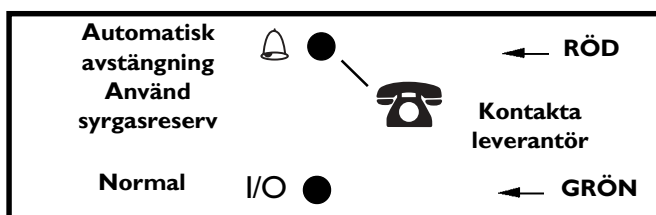
Indikatorlampor (LX-modell)

OBS: För denna procedur, se FIGUR 5.8.

Förklaring till LX-modellens indikatorlampor

RÖD lampa (△) – total avstängning. Växla OMEDELBART till syrgasreserven. Kontakta leverantören OMEDELBART.

GRÖN lampa (I/O) – På/av. Systemet är ok.



FIGUR 5.8 Indikatorlampor (LX-modell)

Larmsystem för större energiförluster

Larmsystemet innehåller inget batteri och är därför underhållsfritt. Larmsystemet får ström via en kondensator som ständigt laddas och är redo att aktivera larmet i händelse av en större energiförlust.

Tidräknare (timmätare)

Tidräknaren visar det kumulativa antalet timmar som enheten har varit i drift.

AVSNITT 6— UNDERHÅLL

OBS: Invacares koncentratorer är särskilt utvecklade för att minimera det rutinmässiga, förebyggande underhållet. På platser med höga koncentrationer av damm eller sot kan det dock bli nödvändigt med tätare underhåll. Endast auktoriserade eller utbildade personer får utföra det förebyggande underhållet på koncentratorn.

Strömmen ska alltid kopplas ur innan underhållsarbetet påbörjas på Invacare-koncentratorn.

OBS: Det förebyggande underhållet MÅSTE minst ske i enlighet med de intervaller som anges i protokollet för förebyggande underhåll. Se Protokoll för förebyggande underhåll av Invacare Platinum syrgaskoncentrator på sidan 104.

Rutinunderhåll

OBS: Följande rutinunderhåll bör utföras oftare. Se rekommenderade intervaller i varje avsnitt och i protokollet för förebyggande underhåll.

Rengöra skåpfilter

OBS: För denna procedur, se FIGUR 6.1 på sidan 103.

FÖRSIKTIGT

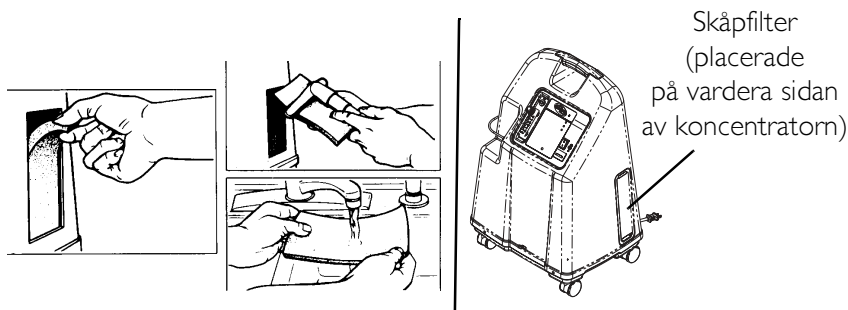
Koncentratorn får INTE vara i drift utan att filtren sitter på plats.

OBS: Det finns två skåpfilter. Ett på vardera sidan av skåpet.

1. Ta bort filtren och rengör dem minst en gång i veckan, beroende på aktuella miljöförhållanden.

OBS: Miljöförhållanden som kräver tätare rengöring av filtren kan vara, men är inte begränsat till, höga halter av damm, rök och luftföroreningar.

2. Rengör skåpets filter med en dammsugare eller tvätta med varmt tvålatten och skölj noga.
3. Torka filtren ordentligt innan de sätts tillbaka.



FIGUR 6.1 Rengöra skåpfilter

Skåp

⚠ VARNING

Koppla ur koncentratorn före rengöringen. För att undvika risk för elektriska stötar får skåpet INTE avlägsnas.

1. Rengör skåpet med ett mildt rengöringsmedel och en mjuk trasa eller svamp.

Befuktare

OBS: Följ tillverkarens instruktioner för att rengöra syrgasbefuktaren. Om det inte medföljde några instruktioner ska du följa dessa steg:

1. Rengör befuktaren dagligen.
2. Tvätta den med tvålsvatten och skölj med en lösning bestående av tio delar vatten och en del ättika.
3. Skölj noga med varmt vatten och fyll på befuktaren med destillerat vatten till den angivna nivån.

⚠ VARNING

Överfyll INTE befuktarebehållaren.

**PROTOKOLL FÖR FÖREBYGGANDE UNDERHÅLL
AV INVACARE PLATINUM SYRGASKONCENTRATOR**

Modellnr IRC _____

Serienr _____

Vid varje inspektion

Ange servicedatum						
Ange antal timmar som förflutit på tidsräknaren						
Rengör skåpfiltren						
Kontrollera den ordinerade flödes hastigheten i L/min.						
Årligen, vid det förebyggande underhållet eller mellan patienter						
Rengör/byt ut skåp-filtren						
Kontrollera HEPA utloppsfilter*						
Kontrollera kompressorinlopps- filter*						
Kontrollera syrgaskoncentrationen (SensO ₂ -modeller)						
Kontrollera strömavbrottslarmet						
Vid behov						
Rengör värmväxlaren						
Byt ut ljuddämparen						
Återupprätta kompressorn högst upp						

Ange servicedatum						
Var 180:e dag (LX-modeller)**						
Kontrollera syrgaskoncentrationen						

*OBS: Se avsnittet om förebyggande underhåll i servicehandboken.

**OBS: Gäller ej EU-länder.

VARNING

Produkter från Invacare är specifikt avsedda att användas tillsammans med tillbehör från Invacare. Tillbehör som utvecklats av annan tillverkare har inte testats av Invacare och rekommenderas inte för användning med Invacare-produkter.

AVSNITT 7—FELSÖKNINGSGUIDE

SYM TOM:	TROLIG ORSAK:	LÖSNING:
Larm:	Större energiförlust:	
Korta pip, lång paus	1. Nätkabel INTE ansluten.	1. Anslut nätkabeln.
Koncentratorn fungerar inte, strömbrytaren påslagen.	2. Ingen nätström.	2. Kontrollera lokalernas överspänningsskydd eller säkringar. Om problemet upprepas kan du försöka med ett annan vägguttag.
Pip.....pip.....	3. Överspänningsskyddet aktiverat.	3. Kontakta teknisk service.
Larm: Ihållande Koncentratorn fungerar inte, strömbrytaren påslagen. Piiiiiiip...	Systemfel: 1. Enheten överhettad p.g.a. blockerat luftintag. 2. Otillräcklig uteffekt. 3. Invändig reparation krävs.	1a. Ta bort och rengör skåpfiltren. 1b. Flytta syrgaskoncentratorn minst 7,5 cm från väggar, draperier eller möbler. 2. Använd INTE förlängningssladdar. Byt till ett annat eluttag eller strömkrets. 3. Kontakta teknisk service.

SYM TOM:	TROLIG ORSAK:	LÖSNING:
<p>GUL eller RÖD lampa tänds.</p> <p>Larm: Endast ihållande rött ljus.</p> <p>*Gäller enbart SensO₂-modeller.</p>	<p>1. Låg nivå på syrgasens renhet.*</p> <p>2. Böjd eller tilltäppt slang, kanyl eller befuktare.*</p> <p>3. Flödesmätaren inställd på 0,5 L/min. eller lägre.*</p> <p>4. Enheten överhettad p.g.a. blockerat luftintag.</p> <p>5. Otillräcklig uteffekt.</p> <p>6. Invändig reparation krävs.</p>	<p>1. Rengör eller byt ut filtren.</p> <p>2. Inspektera avseende veck eller blockeringar. Korrigera, rengör eller byt ut efter behov. När dessa åtgärder är vidtagna stänger du av enheten i 60 sekunder och slår sedan på strömbrytaren igen.</p> <p>3. Kontrollera att flödesmätaren är inställd på 1,0 L/min. eller mer. (Se <u>Rekommenderade förhållanden för optimal funktion</u> på sidan 93.</p> <p>4a. Ta bort och rengör skåpfiltren.</p> <p>4b. Flytta koncentratorn minst 7,5 cm från väggar, draperier eller möbler.</p> <p>5. Använd INTE förlängningssladdar. Byt till ett annat eluttag eller strömkrets.</p> <p>6. Kontakta teknisk service.</p>
<p>GRÖN lampa, GUL blinkande lampa.</p>	<p>1. Invändig reparation krävs.</p>	<p>1. Kontakta teknisk service.</p>

BEGRÄNSAD GARANTI

SYM TOM:	TROLIG ORSAK:	LÖSNING:
Larm: SNABBT Pip....pip... pip...pip	Lågt flöde-larm: Ia. Böjd eller tilltäppt slang, kanyl eller befuktare. Ib. Flödesmätaren inställd på 0,5 L/min. eller lägre.	Ia. Inspektera avseende veck eller blockeringar. Korrigera, rengör eller byt ut efter behov. När dessa åtgärder är vidtagna stänger du av enheten i 60 sekunder och slår sedan på strömbrytaren igen. Ib. Ställ in flödesmätaren på ordinerad flödes hastighet. Lägre flödes hastigheter än 1 L/min. rekommenderas inte.

BEGRÄNSAD GARANTI

Sverige och Finland:

Invacare AB, Fagerstagatan 9, S-163 91 Spånga

Tel: +46 (0)8 761 70 90, Fax: +46 (0)8 761 81 08

sweden@invacare.com

finland@invacare.com

Betjeningshåndbok

Platinum™



**Standard Oksygenkonsentratorer,
med/SensO₂® og HomeFill™**

**Modell IRC5LXAW
Modell IRC5LXO2AW
Modell IRC5LXO2AWQ
Modell IRC9LXO2AWQ**

Forhandler: Denne håndboken skal overleveres til sluttbrukeren.

Bruker: Før denne konsentratoren tas i bruk skal denne håndboken leses gjennom og tas vare på til senere henvisninger.

Besøk www.invacare.com for å finne ytterligere opplysninger om Invacares produkter, deler og service.



Yes, you can.

ADVARSEL

IKKE BRUK DETTE UTSTYRET UTEN FØRST Å HA LEST IGJENNOM OG FORSTÅTT DENNE HÅNDBOKEN. HVIS DU IKKE FORSTÅR ADVARSLERNE, FORSIKTIGHETSREGLERNE OG ANVISNINGENE MÅ DU TA KONTAKT MED TEKNISK AVDELING HOS INVACARE FØR DU FORSØKER Å BRUKE UTSTYRET - HVIS IKKE VIL DET KUNNE OPPSTÅ SKADE ELLER OVERLAST.

TILBEHØR

Det finnes mange forskjellige typer luftfuktere, oksygenlanger, kanyler og masker som kan benyttes sammen med dette apparatet. Ta kontakt med omsorgsleverandøren for å få en anbefaling om hvilket tilbehør som vil passe best til ditt bruk. De bør også kunne gi råd om riktig bruk, vedlikehold og rengjøring.

ADVARSEL

Invacare-produkter er spesielt utformet og fremstilt for bruk sammen med Invacare-tilbehør. Tilbehør som er fremstilt av andre produsenter er ikke testet av Invacare og anbefales ikke til bruk sammen med Invacare-produkter.

MERK: Oppdaterte versjoner av denne håndboken er tilgjengelige på www.invacare.com.

SPESIELLE MERKNADER

Det brukes spesielle betegnelser i denne håndboken. Disse angir fare eller usikker praksis som kan medføre personskade eller skade på eiendeler. Det vises til følgende tabell for definisjoner på disse spesielle betegnelse.

BETEGNELSE	BETYDNING
FARE	Fare innebærer en umiddelbart farlig situasjon som, om den ikke unngås, vil medføre død eller alvorlig skade.
ADVARSEL	Advarsel innebærer en potensielt farlig situasjon som, om den ikke unngås, kan medføre død eller alvorlig skade.
FORSIKTIG	Forsiktig innebærer en potensielt farlig situasjon som, om den ikke unngås, kan medføre skade på eiendom.

MERKNAD

Informasjonen i dette dokumentet kan forandres uten forvarsel.

FARE

Brukere SKAL IKKE røyke under bruk av dette utstyret. Pass på at det ikke er fyrstikker, tente sigaretter eller andre gnistfarlige elementer i rommet der dette produktet oppbevares. Røyking Forbudt-skilt skal være slått opp slik at de er lett å se. Tekstiler og andre stoffer som vanligvis ikke brenner, kan lett antennes og brenne kraftig i luft som har høyt oksygeninnhold. Hvis denne advarselen ikke overholdes vil det kunne forårsake kraftig brann, skade på eiendom og medføre fysisk skade eller død.

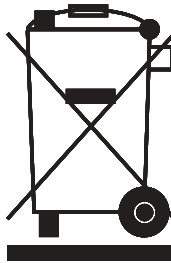
INFORMASJON OM GJENVINNING

Dette produktet er levert av en miljøvennlig produsent som opptrer i samsvar med EU-direktivet 2002/96/EU om "Waste Electrical and Electronic Equipment (WEEE - Elektrisk og elektronisk avfall)".

Dette produktet kan inneholde stoffer som kan være skadelige for miljøet hvis de avhendes på fyllinger som ikke er tilpasset den aktuelle lovgivningen.

Dette produktet er merket med symbolet med en overkrysset søplekasse på hjul for at brukeren skal oppmuntres til å gjenvinne så mye som mulig.

Vær så snill å bruke miljøvett og gjenvinn dette produktet på nærmeste gjenvinningsstasjon når levetiden er utløpt.



AVSNITT I—GENERELL VEILEDNING

ADVARSEL

AVSNITT 3 — GENERELL VEILEDNING inneholder viktig informasjon for trygg betjening og bruk av dette apparatet. Dette apparatet eller eventuelt tilbehør **SKAL IKKE** brukes uten at denne bruksanvisningen og eventuelt annet instruksjonsmateriale, som brukerhåndbøker, servicemanualer eller instruksjonsbrosjyrer som følger med apparatet eller med aktuelt tilbehør, er ordentlig gjennomlest og forstått. Hvis du ikke forstår advarslene, forsiktighetsreglene eller anvisningene bør du ta kontakt med helsepersonale, forhandler eller med teknisk personale før du forsøker å bruke utstyret - ellers er det fare for skade eller overlast.

For å sikre at Platinum-konsentratoren installeres, settes opp og betjenes på en sikker måte, MÅ denne veiledningen følges.

FORSIKTIG

“Forsiktig: Gjeldende lover kan ha pålagt at dette utstyret bare skal selges av eller etter henvisning fra lege, eller annen sertifisert yrkesutøver som er autorisert av det aktuelle forvaltningsorganet for bruk av dette utstyret.”

FARE

Fare for elektrisk støt **SKAL IKKE** tas fra hverandre. Service skal kun utføres av kvalifiserte serviceteknikere.

ADVARSLER

Bruken av oksygenbehandling krever at det tas spesielle forholdsregler for å redusere mulig brannfare. Materialer som kan brenne i luft og dessuten noen som ikke gjør det, vil kunne antennes lett og brenne hurtig ved høye oksygenkonsentrasjoner. Av sikkerhetshensyn er det nødvendig at alle gnistkilder holdes vekk fra apparatet og helst i et annet rom enn der det brukes. RØYKING FORBUDT-skilt skal være slått opp slik at de er godt synlige.

Det kan oppstå spontan og kraftig antenning dersom det kommer olje, fett eller fettbelagte gjenstander i kontakt med med oksygen som står under trykk. Slike gjenstander MÅ oppbevares i god avstand fra oksygenkonsentratoren, slanger eller koplinger, samt fra alt annet oksygenutstyr. Det skal IKKE brukes noe smøremiddel såsant det ikke er uttrykkelig anbefalt av Invacare.

For best mulig ytelse anbefaler Invacare at hver enkelt konsentrator skal stå på i minst 30 minutter om gangen. Kortere driftsperioder kan forkorte levetiden for utstyret.

Hvis konsentratoren har ødelagt nettspenningskabel eller støpsel, eller disse ikke virker som de skal, eller den har vært mistet i gulvet eller er skadet eller kommet i vannet, skal det tas kontakt med kvalifisert servicepersonale for å undersøke og reparere utstyret.

Pass på at oksygenlanger, kabel og selve enheten holdes unna varme overflater, deriblant varmeapparater, varmeteppe, komfyrer og lignende elektrisk husholdningsutstyr.

IKKE flytt på eller plasser konsentratoren et annet sted ved å trekke i kabelen.

Det skal ALDRI slippes eller settes noen gjenstand inn i noen åpning.

⚠ ADVARSLER

Luftinnganger på apparatet skal ALDRI stenges igjen. Apparatet skal ikke legges på en myk flate, som f.eks. en sofa eller en seng, hvor luftinngangene kan lukkes til. Pass på at det ikke er lo, hår og lignende i luftinngangene.

Luftfukteren fylles med vann opp til det nivået som produsenten har anvist. MÅ IKKE fylles opp for mye.

Enheten holdes minst 7,5 cm unna vegger, gardiner, møbler og lignende.

Invacare anbefaler at det til dette produkt brukes uknuselige oksygenslanger (leveres av Invacare) som IKKE er mer enn 15,20 m lange. Anbefalt bruk for Platinum 9 er opptil 15 meters lengde på slangene for høy flow.

Vedlikehold

Invacare Oksygenkonsentrator er spesielt utformet for å trenge minimalt med rutinemessig forebyggende vedlikehold en gang i året. Bare fagfolk i helsetjenesten eller personale som har god kunnskap til denne prosessen, som autorisert eller fabrikkopplært personale bør utføre forebyggende vedlikehold eller gjøre tilpasninger på oksygenkonsentratoren.

Interferens fra radiofrekvent stråling

Storparten av elektronisk utstyr vil påvirkes av interferens fra radiofrekvent stråling (Radio Frequency Interference - RFI). Det må utvises varsomhet ved bruk av bærbart kommunikasjonsutstyr i nærheten av slikt utstyr.

For å redusere faren for forbrenninger, elektrisk støt, brann eller personskade

Unngå bruk ved bading. Hvis legens forskrivning tilsier vedvarende bruk:

Konsentratoren skal være plassert i et annet rom, minst 2,1 m fra badet.

Pass på IKKE å komme i berøring med konsentratoren når du er våt.

Produktet skal ALDRI forlates ubevoktet med støpselet innsatt i kontakten.

Produktet skal IKKE plasseres eller oppbevares på steder hvor det komme i vann eller annen væske.

Prøv ALDRI å få tak i et apparat som har falt i vannet. Ta støpselet UMIDDELBART ut av kontakten.

Apparatet skal bare brukes i samsvar med legens forskrivning og denne brukerhåndboken. Hvis pasienten eller omsorgspersonen på noe tidspunkt fastslår at pasienten ikke får en tilstrekkelig oksygentilførsel, må leverandøren og/eller legen kontaktes UMIDDELBART. Det skal ikke gjøres justeringer på strømhastigheten hvis ikke dette er forskrevet av legen.

Grundig overvåking er nødvendig når dette apparatet brukes i nærheten av barn eller funksjonshemmede personer.

Apparatet skal bare brukes til det det er ment for i følge beskrivelsen i denne håndboken.

Konsentratoren skal IKKE parallell- eller seriekoples med andre oksygenkonsentratorer eller annet utstyr for oksygenbehandling.

Ytelsen for apparatet kan reduseres hvis det brukes noe tilførselstilbehør eller visse luftfuktere som ikke er beregnet for oksygenkonsentratorer.

I visse situasjoner kan oksygenbehandling være farlig. Invacare anbefaler at du rådfører deg med medisinsk fagpersonale før du bruker dette apparatet.

Dette utstyret skal brukes som et oksygentilskudd og er ikke ment som livreddende eller livsoppholdende utstyr.

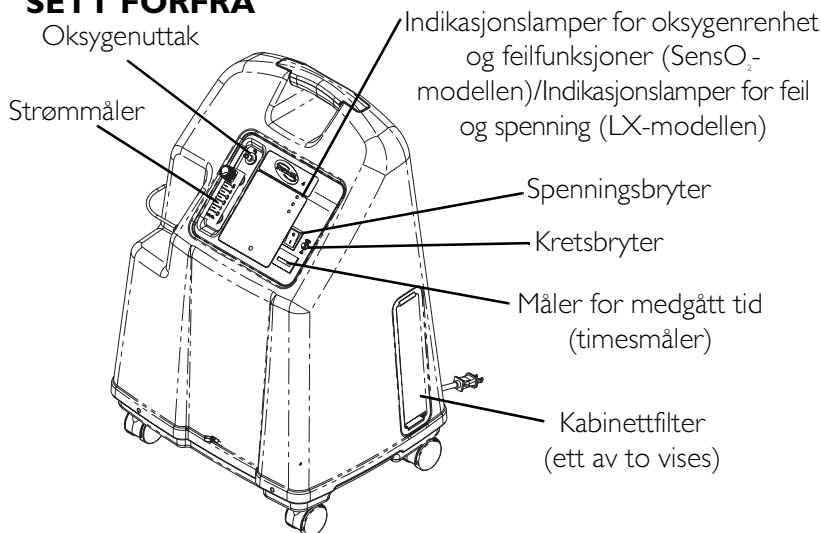
Pass på at det ikke oppstår gnister i nærheten av medisinsk oksygenutstyr. Heller ikke gnister som kan oppstå ved statisk elektrisitet på grunn av friksjon.

Oksygenkonsentrasjon

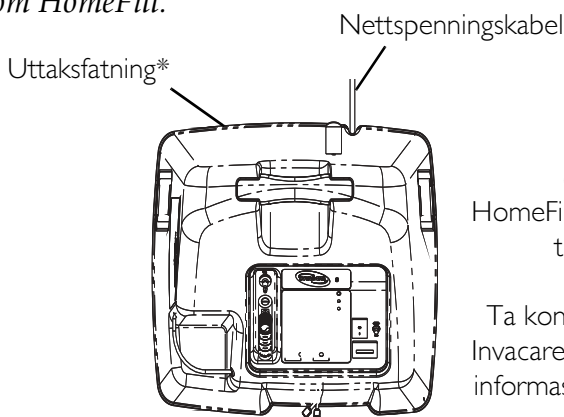
Pass på at strømhastigheten ikke stilles inn høyere enn den RØDE ringen. En oksygenflow på mer enn 5 l/min (IRC5LXO2AW, IRC5LXAW, IRC5LXO2AWQ) eller 9 l/min (IRC9LXO2AWQ) reduserer oksygenkonsentrasjonen.

AVSNITT 2—PRODUKTEGENSKAPER

SETT FORFRA



**MERK: Denne uttaksfatningen skal bare brukes til å fylle oksygensylindere med HomeFill oksygenkompressor til hjemmebruk. Uttaksfatningen påvirker ikke konsentratorens funksjonsdyktighet. Se brukerhåndboken for HomeFill, delenummer 1145806, for å finne veiledning om tilkopling og betjening. Når konsentratoren ikke er i bruk skal den medfølgende pluggen settes inn i uttaksfatningen. Ta kontakt med Invacare hvis du ønsker ytterligere informasjon om HomeFill.*



SETT OVENFRA

TILBEHØR (IKKE VIST)

HomeFill oksygenkompressor til hjemmebruk

Ta kontakt med den lokale Invacare-forhandleren for å få informasjon om tilbehør som kan leveres.

AVSNITT 3—FORSENDELSE OG HÅNDTERING

MERK: Denne prosedyren kan du finne i FIGUR 3.1.

Før konsentratoren installeres og betjenes må Platinumseriens Brukerhåndbok gjennomgås.

Platinum-konsentratoren skal ALLTID stå oppreist slik at kabinettet ikke beskadiges under transport. Fraktbeholderen er utformet slik at konsentratoren skal være maksimalt beskyttet.

Hvis konsentratoren skal sendes videre med regulær frakt, bør den emballeres i ny kartong. Ekstra kartongmateriale kan bestilles hos Invacare.

Luftkompressorens suspensjonssystem er utviklet for å kunne tåle kraftig behandling og store bevegelser.

Utpakking

1. Kontroller at ikke kartongen eller innholdet har vært utsatt for åpenbare skader. Hvis det er tydelige skader, må transportfirmaet eller Invacare gis beskjed.
2. Alt løst pakningsmateriale tas ut av kartongen.
3. Ta forsiktig alle delene ut av kartongen.

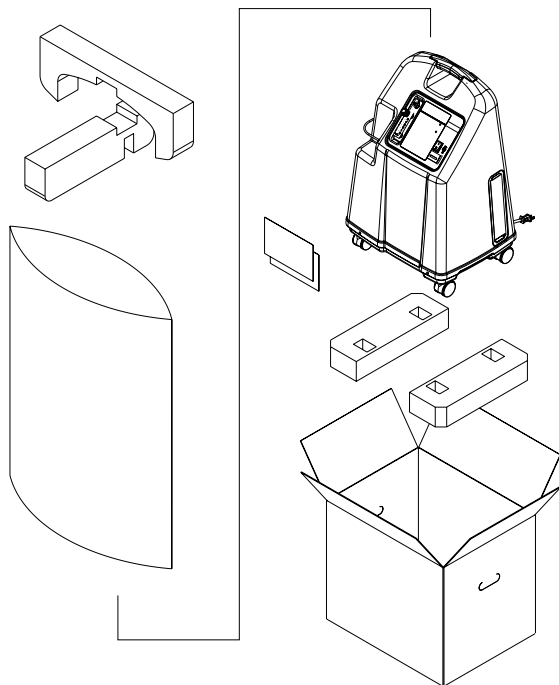
MERK: Kartong og emballasjemateriale oppbevares for lagring av Platinum-enheten.

Inspeksjon

1. Undersøk utsiden av oksygenkonsentratoren for å se at det ikke er bulker, hakk, oppskrapinger eller andre skader. Inspiser alle delene.








Oppbevaring

1. Når oksygenkonsentratoren er pakket inn på nytt skal den lagres tørt.
2. Andre gjenstander SKAL IKKE settes opp på den gjeninnpakkede konsentratoren.



FIGUR 3.1 Utpakking

AVSNITT 4—TYPISKE PRODUKTPARAMETRE

Forvaltnings betegnelse:	EN/IEC 60601-1
	Vekselstrøm
	Utstyr Type BF
	Enhet i drift
	Enhet ikke i drift
	NB - Se medfølgende dokumentasjon
	RØYKING FORBUDT
	Klasse II, dobbelt isolert

Elektriske krav:	230 VAC ± 10 % (253 VAC/207 VAC), 50 Hz
Angitt strømningang:	1,4 A (IRC5LXO2AWQ)
	2,0 A (IRC5LXAW, IRC5LXO2AW)
	2,5 A (IRC9LXO2AWQ)
Lydnivå:	39,5 dB gjennomsnitt (IRC5LXO2AWQ)
	44 dB gjennomsnitt (IRC5LXAW, IRC5LXO2AW)
	50 dB gjennomsnitt (IRC9LXO2AWQ)

AVSNITT 4—TYPISKE PRODUKTPARAMETRE

Høyde over havet:	IRC5LXAW, IRC5LXO2AW, IRC5LXO2AWQ Opp til 1 828 meter over havet uten at konsentrasjonsnivåene reduseres. IKKE ANBEFALT FOR BRUK VED STØRRE HØYDE OVER HAVET ENN 1 828 METER
	IRC9LXO2AWQ - opp til 1230 meter over havet uten at konsentrasjonsnivået reduseres. For 1230 meter til 4000 meter under 90 % effektivitet.
*Oksygenuttak Konsentrasjonsnivåer: Alle 5LXO2AWQ/5LXAW/ 5LXO2AW-modeller *Angitt konsentrasjonsnivå som er oppnådd etter den initiale oppvarmingsperioden (omkr. 30 minutter).	IRC5LXAW, IRC5LXO2AW, IRC5LXO2AWQ minimum 93 % ved 1 til 3 l/min. minimum 91 % ved 4 l/min. minimum 87 % ved 5 l/min. (maksimal anbefalt strømningshastighet) IRC9LXO2AWQ Minst 93 % ved 1 til 7 l/min. Minst 91 % ved 8 l/min. Minst 87 % ved 9 l/min.
Maksimalt utgangstrykk:	IRC5LXAW, IRC5LXO2AW, IRC5LXO2AWQ 34,5 ± 3,45 kPa
	IRC9LXO2AWQ 62,0 ± 3,45 kPa
Strømningsområde:	IRC5LXAW, IRC5LXO2AW, IRC5LXO2AWQ 0,5 to 5 l/min. Strømningshastigheter lavere enn 1 l/min. anbefales ikke
	IRC9LXO2AWQ 1 l/min til 9 l/min. Flowhastigheter på mindre enn 1 l/min anbefales ikke.
Alarm for lav strømningshastighet:	0 l/min. til 0,5 l/min. Lydalarm med hurtige pipetonesignaler (Tilbehør ikke tilkopleet).



AVSNITT 4—TYPISKE PRODUKTPARAMETRE

Gjennomsnittlig effektforbruk:	(IRC5LXO2AWQ) 300 W 280 W @ ≤ 3 L/min
	(IRC5LXO2AW) 365 W 340 W @ ≤ 3 L/min
	380 W (IRC5LXAW)
	500 W (IRC9LXO2AWQ)
Trykkutløsningsmekanismen fungerer ved:	241 kPa \pm 24,1 kPa
Endring i maksimal anbefalt strømhastighet når et tilbaketrykk på 7k Pa settes på:	0,7 l/min.
Filtre:	Kabinett (2), HEPA uttak og kompressorinntak.
Sikkerhetssystem:	Strømovertbelastning eller avstengning etter spenningsstopp på linjen. Avstengning ved høy temperatur i kompressor. Alarm for høyt trykk m/kompressor avstengning. Alarm for lavt trykk m/kompressor avstengning. Alarm for spenningsutfall uten batteri. Alarm for lavt strømhastighet for SensO ₂ Oksygensystem (SensO ₂ -modellen).
Bredde:	46,7 cm \pm 1 cm
Høyde:	67,0 cm \pm 1 cm
Dybde:	36,5 cm \pm 1 cm
Vekt:	IRC5LXO2AW, IRC5LXAW, IRC5LXO2AWQ - 23,6 kg \pm 1 kg
	IRC9LXO2AWQ - 24,0 kg \pm 1 kg
Fraktvekt:	IRC5LXO2AW, IRC5LXAW, IRC5LXO2AWQ - 26,8 kg \pm 1 kg
	IRC9LXO2AWQ - 27,2 kg \pm 1 kg
Betjening ved omgivende Temperatur:	10 °C - 35 °C ved 20-60 % relativ luftfuktighet.


AVSNITT 4—TYPISKE PRODUKTPARAMETRE

Avgasser:	Mindre enn omgivelsene +19 °C
Oksygenuttak:	Mindre enn omgivelsene +2 °C
Kabinett:	Slagfast flammehemmende plast kabinett i samsvar med UL 94-V0.
Forvaltningsbetegnelse:	5LXAW/5LXO2AW/5LXO2AWQ/ 9LXO2AWQ ETL testet i samvar med: EN55011 EN61000-3-2 EN61000-3-3 IEC 60601-1, A1, A2 IEC 60601-1-2 Bare 5LXO2AW/5LXO2AWQ/9LXO2AWQ -modellene ISO8359 MDD
CE-merkede modeller:	5LXO2AW, 5LXO2AWQ, 9LXO2AWQ
Elektrisk:	Skjøteledninger skal ikke brukes.
Plassering:	Avstand på minst 7,5 cm fra vegger, møbler, gardiner eller lignende.
Slinger:	5LXAW/5LXO2AW/5LXO2AWQ - 2,1 m kanyle med maksimalt 15,2 m uknuselig slange (MÅ IKKE klemmes).
	9LXO2AWQ - anbefalt bruk opp til 15 meters lengde på slanger for høy flow med kanyle for høy flow ved alle flowhastigheter.
Relativ fuktighet:	20 til 60 %
Brukstid:	Opptil 24 timer i døgnet.
Anbefalt temperatur ved lagring og frakt:	-29 °C til 65 °C ved 15-95 % relativ fuktighet.

SENSO₂-INDIKATORER

MERKE SYMBOL	STATUS	INDIKATORLAMPER (LED)
O ₂	SYSTEMET OK O ₂ over 85 % (±2 %)	GRØNN indikatorlampe
	O ₂ mellom 73 % (±3 %) og 85 % (±2 %)	GUL indikatorlampe A GUL fast B GUL blinkende sensor Svikt Ta kontakt med kvalifisert servicepersonale.
	SYSTEMSVIKT O ₂ over 73 % (±3 %)	RØD indikatorlampe Se <u>Feilsøkningsveiledning</u> på side 140.

LX-INDIKATORER

MERKE SYMBOL	STATUS	INDIKATORLAMPER (LED)
I/O	SYSTEMET OK	GRØNN indikatorlampe
	SYSTEMSVIKT	RØD indikatorlampe Vedvarende lydalarm Sieve-GARD™ kompressor Avstengning Ta kontakt med kvalifisert servicepersonale.

AVSNITT 5—BETJENINGSAN- VISNING

Innledning

Oksygenkonsentratoren er beregnet til hjemmebruk for enkeltpasienter. Det er elektronisk betjent apparat som utskiller oksygen fra luften i rommet. Det tilfører oksygen i høy konsentrasjon direkte til deg via nesekanylen. Det er dokumentert gjennom kliniske studier at oksygenkonsentratorer er behandlingsmessig likeverdige med andre typer av utstyr for tilførsel av oksygen.

Leverandøren kan vise deg hvordan du bruker oksygenkonsentratoren du har. Du bør kontakte leverandøren dersom du har spørsmål eller problemer som gjelder oksygenkonsentratoren. Denne brukerhåndboken kan gi informasjon om konsentratoren og fungerer som henvisningsmateriale når du bruker konsentratoren.

Finn et sted

Du kan velge et rom i huset hvor det passer best å bruke oksygenkonsentratoren. Konsentratoren går på hjul og kan enkelt trilles fra rom til rom.

Oksygenkonsentratoren fungerer best når den har betjeningsforhold som beskrevet her: Bruk under andre forhold enn det som er beskrevet kan gjøre det nødvendig med hyppigere vedlikehold av utstyret. Luftinntaket til enheten bør være i et godt ventilert område slik at luftbåren forurensning og/eller røyk unngås.

Anbefalt veiledning for å få optimal ytelse

Temperatur:	10 °C - 35 °C
Elektrisk:	Skjøteledninger skal ikke brukes.
Plassering:	Avstand på minst 7,5 cm fra vegger, møbler, gardiner eller lignende.
Slanger og kanyle:	5LXAW/5LXO2AW/5LXO2AWQ - 2,1 m kanyle med maksimalt 15,2 m uknuselig slange (MÅ IKKE klemmes).
	IRC9LXO2AWQ – anbefalt bruk opp til 15 meters lengde på slanger for høy flow med kanyle for høy flow ved alle flowhastigheter.
Miljø:	Fri for røyk og sot. Ikke i avstengte områder (f.eks. i skap)
Relativ fuktighet:	20 til 60 %
Brukstid:	Opptil 24 timer i døgnet.
Strømningshastighet	5LXAW/5LXO2AW/5LXO2AWQ - Fra 0,5 l/min til 5 l/min. Strømningshastigheter som er lavere 1 l/min anbefales ikke.
	IRC9LXO2AWQ 1 l/min til 9 l/min. Flowhastigheter på mindre enn 1 l/min anbefales ikke.
Minste brukstid:	30 minutter

MERK: Påse at konsentratoren står minst 7,5 cm fra vegger, gardiner eller møbler slik at det blir tilstrekkelig luftstrøm. Unngå dype flosstepper, og likeså varmeapparater eller radiatorer.

Sett in støpselet

1. Sett støpselet inn i en elektrisk stikk-kontakt.

Kople til luftfukteren (hvis dette er forskrevet)

MERK: Denne prosedyren kan du finne i FIGUR 5.1 på side 128, FIGUR 5.2 på side 128, FIGUR 5.3 på side 130 og FIGUR 5.4 på side 131.

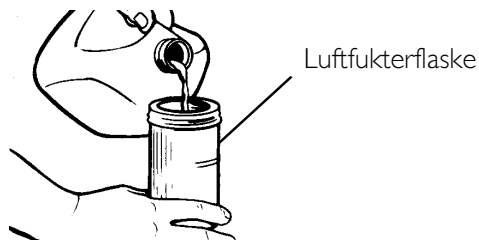
1. Luftfukteren fylles med destillert vann opp til det nivået som produsenten har angitt. (Ta kontakt med Invacare for anbefaling.)

⚠ ADVARSEL

Luftfukteren MÅ IKKE fylles opp for mye.

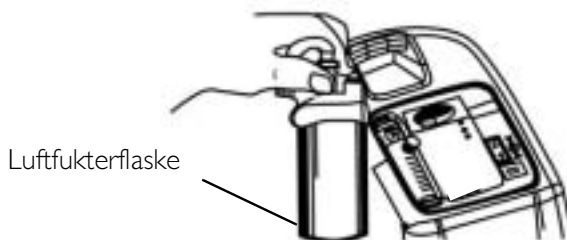
Lufukterlokket settes på igjen og skrues godt til.

Pass på at inngangs- og uttakstilkoplingene for oksygen IKKE byttes om. Vann fra luftfukterflasken går gjennom kanylen og tilbake til pasienten.



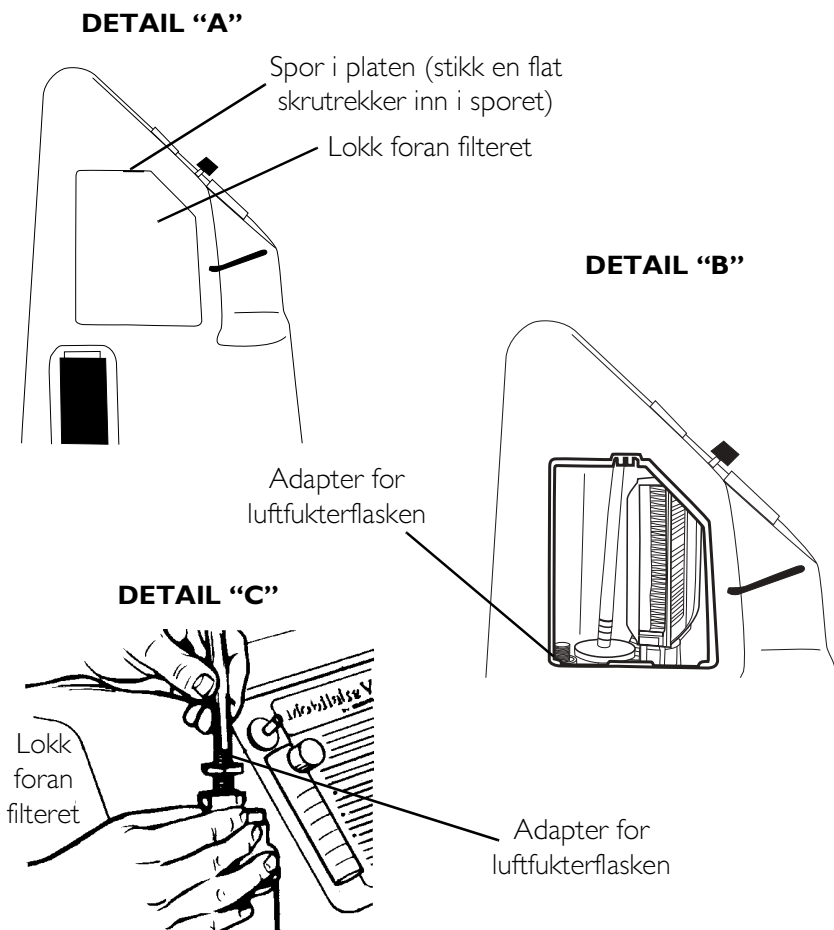
FIGUR 5.1 Slik fylles luftfukteren opp

2. Luftfukterflasken settes på plass i luftfukterrommet.



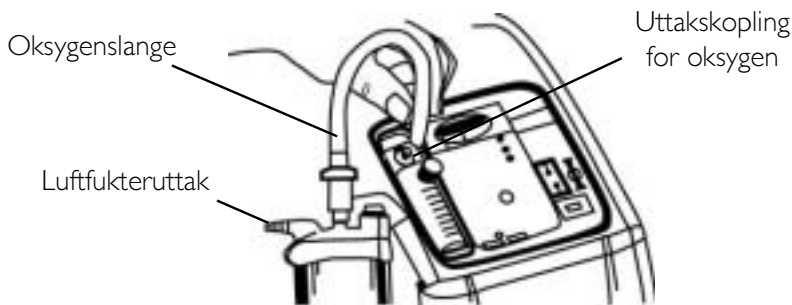
FIGUR 5.2 Luftfukterrom

3. Ta ut lokket foran filteret som sitter på siden av konsentratoren. Sett inn en flat skrutrekker i spalten øverst på lokket foran filteret og spenn forsiktig lokket ut slik at det åpner seg. Se Detail "A" i FIGUR 5.3.
4. Luftfukteradapteret sitter ved siden av inntaksfilteret. Løft det opp og ta ut adapteret til luftfukterflasken. Se Detail "B" i FIGUR 5.3.
5. Sett den på luftfukteren ved å vri vingemutteren på luftfukteren mot utviseren til den sitter godt fast. Se Detail "C" i FIGUR 5.3.



FIGUR 5.3 Slik settes adapteret til luftfukterflasken på

6. Oksygenslangen fra luftfukterflasken settes på oksygenuttakskoplingen på oksygenkonsentratoren.
7. Fest kanylen/pasienttilførselsslangen til uttaket på luftfukterflasken.
8. Etter at det er satt sammen må det påses at oksygenet strømmer fritt gjennom kanylen.
9. Lokket foran filteret settes på plass igjen på siden av konsentratoren ved å smekke det på plass i sporet.



FIGUR 5.4 Slik festes oksygenlangen

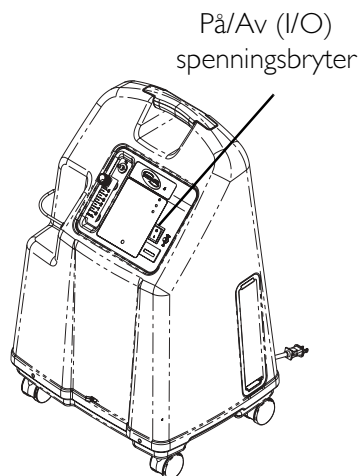
⚠ ADVARSEL

For best mulig ytelse anbefaler Invacare at hver enkelt konsentrator skal stå på i minst 30 minutter om gangen. Kortere driftsperioder kan forkorte levetiden for utstyret.

Spenningsbryter

MERK: Se FIGUR 5.5 for å finne denne prosedyren.

1. Trykk spenningsbryteren til PÅ-stilling. Alle lysene på panelet og lydalarmen settes på i et sekund, som tegn på at enheten fungerer som den skal. Etter et sekund vil bare det GRØNNE lyset for "System OK/Spenning" fortsatt stå på.



FIGUR 5.5 Spenningsbryter

Strømningshastighet

MERK: Se FIGUR 5.6 for å finne denne prosedyren.

1. Sett bryteren for strømningshastigheten på den innstillingen som legen eller terapeuten har forskrevet.

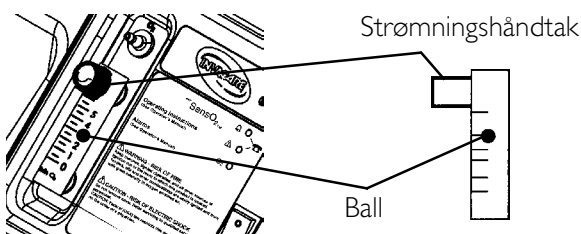
⚠ ADVARSEL

Innstillingen i l/min som strømningsmåleren står på skal IKKE endres hvis det ikke er forskrevet av legen eller terapeuten.

MERK: Finn streken som tilsvarende forskrevet strømningshastighet på måleren for å få en riktig avlesning av måleren. Deretter skrus bryteren opp til ballen stiger opp til streken. Nå skal ballen sentreres på streken for den forskrevne innstillingen i l/min.

2. Hvis strømningshastigheten på strømmåleren faller under 0,5 l/min i mer enn ett minutt, vil alarmen for LAV STRØMNINGSHASTIGHET utløses. Dette er et hurtig pipesignal fra lydalarmer. Kontroller at slanger eller tilbehør ikke har knekk eller er blokkert eller at ikke luftfukterflasken er defekt. Etter at riktig strømningsnivå er gjenopprettet, høyere enn 0,5 l/min, vil lydalarmer for LAV STRØMNINGSHASTIGHET forsvinne igjen.

MERK: Enkelte tilbehør som for eksempel pediatrik strømningsstatio og Home Fill II-kompressoren deaktiverer alarmen for lav strømningshastighet.



FIGUR 5.6 Strømningshastighet

SensO₂ indikatorer for oksygenrenhet (LX O₂ Sensor-modellen)

Denne funksjonaliteten overvåker hvor rent oksygen det er som genereres i oksygenkonsentratoren. Hvis renheten synker under fabrikkens forhåndsstilte nivåer, vil indikatorlamper tennes på kontrollpanelet.

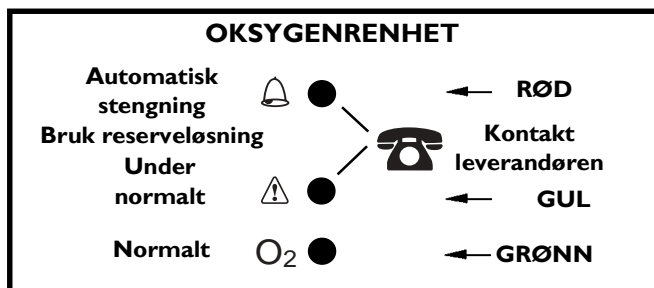
Første gangs oppstart av konsentratoren

MERK: Konsentratoren kan brukes under oppvarmingstiden for første gangs bruk (ca. 30 min), mens den venter på at renheten i O₂ kommer opp på maksimalt nivå.

Når enheten er slått på, vil det GRØNNE lyset tennes (SYSTEM OK/O₂ høyere enn 85 %). Etter fem minutter vil oksygensensoren fungere normalt og styre indikatorlampene i henhold til verdiene for oksygenkonsentrasjonen.

Forklaring av Indikatorlampene for oksygenrenhet

MERK: Se FIGUR 5.7 for å finne denne prosedyren.



FIGUR 5.7 SensO₂ indikatorer for oksygenrenhet
(LX O₂ Sensor-modellen)

GRØNN lampe (O₂) - Normal drift.

GUL lampe (⚠) - Ring leverandøren UMIDDELBART. Du kan fortsette å bruke konsentratoren hvis du ikke har fått annen beskjed av leverandøren. Pass på at det er en reserveløsning for oksygentilførsel i nærheten.

RØD lampe (⚠) - Enheten er helt avstengt. Skift UMIDDELBART til reserveløsning for oksygentilførsel. Ta UMIDDELBART kontakt med leverandøren (FIGUR 5.7).

GRØNN lampe - med GUL blinkende lampe - ta UMIDDELBART kontakt med leverandøren.

Oksygensensoren fungerer ikke riktig; du kan fortsette å bruke konsentratoren (FIGUR 5.7).

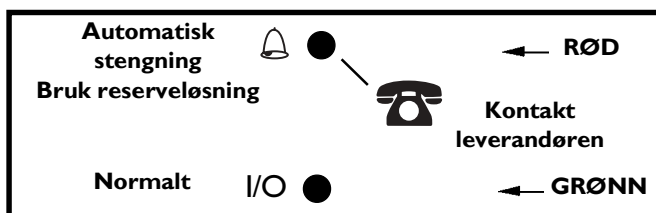
Indikatorer (LX-modellen)

MERK: Se FIGUR 5.8 for å finne denne prosedyren.

Forklaring av indikatorlampene på LX-modellen

RØD lampe (⚠) - Enheten er helt avstengt. Skift UMIDDELBART til reserveløsning for oksygentilførsel. Ta UMIDDELBART kontakt med leverandøren.

GRØNN lampe (I/O) - På/Av. Systemet er i orden.



FIGUR 5.8 Indikatorer (LX-modellen)

Alarmsystem for nettspenningsutfall

Alarmsystemet bruker ikke batterier - og er derfor vedlikeholdsfritt. Alarmsystemet forsynes med strøm fra en kondensator som lades opp kontinuerlig og er klar til å utløse alarmen i tilfelle utfall av nettspenning.

Måler for medgått tid (timesmåler)

Timesmåleren viser det kumulerte antall timer som enheten har vært i bruk.

AVSNITT 6—VEDLIKEHOLD

MERK: Invacares konsentratorer er spesielt uformet for å gjøre behovet for rutinemessig forebyggende vedlikehold minst mulig. På steder med mye støv eller sot vil det kunne være behov for hyppigere vedlikehold. Bare autorisert eller fabrikkopplært personale skal gjøre forebyggende vedlikehold på konsentratoren. Spenningen skal være koplet fra før det settes i gang forebyggende vedlikehold på Invacares konsentrator.

MERK: Forebyggende vedlikehold MÅ minst utføres i samsvar med veiledningen for vedlikeholdsloggen. Se Forebyggende vedlikeholdslogg for Invacare Platinum Oksygenkonsentrator på side 138.

Rutinemessig vedlikehold

MERK: Følgende rutinemessig vedlikehold bør gjøres hyppigere. Se anbefalte vedlikeholdsintervaller i hvert avsnitt i loggen for forebyggende vedlikehold.

Rengjøring av kabinettfilteret

MERK: Se FIGUR 6.1 på side 137 for å finne denne prosedyren.

FORSIKTIG

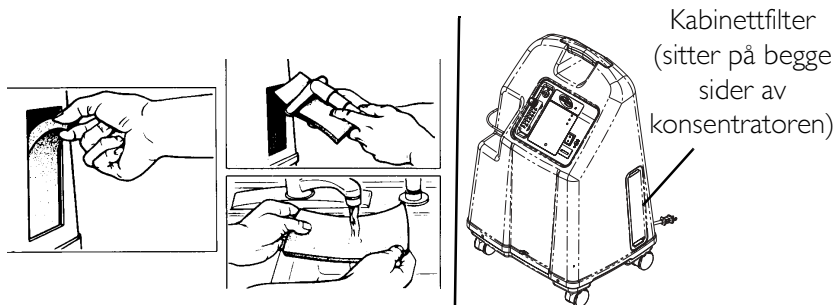
Konsentratoren SKAL IKKE betjenes uten at filtrene er satt inn.

MERK: Det er to kabinettfiltre. Det sitter ett filter på hver side av kabinettet.

1. Filtrene tas ut og rengjøres minst en gang i uken, avhengig av miljøforholdene.

MERK: Miljøforhold som tilsier hyppigere rengjøring av filtrene kan for eksempel være: høy konsentrasjon av støv, røyking, luftforurensning osv.

2. Kabinettfiltrene rengjøres med støvsuger eller de vaskes i varmt såpevann og skylles grundig.
3. Filtrene må tørkes ordentlig før de settes inn igjen.



FIGUR 6.1 Rengjøring av kabinettfilteret

Kabinett

⚠ ADVARSEL

Trekk ut støpselet til konsentratoren før det skal rengjøres. Kabinettet MÅ IKKE tas av, da er det fare for elektrisk støt.

1. Kabinettet rengjøres med et mildt vaskemiddel og en klut eller svamp som ikke lager riper.

Luftfukter

MERK: Ved rengjøring av oksygenfukteren skal produsentens veiledning følges. Hvis det ikke foreligger noen slik veiledning kan følgende gjøres:

1. Rengjør luftfukteren daglig.
2. Vask den med såpevann og skyll den med en oppløsning av ti deler vann og en del eddik.
3. Skyll den grundig med varmt vann og fyll opp med destillert vann til det nivået som er angitt på luftfukteren.

⚠ ADVARSEL

Luftfukterflasken MÅ IKKE fylles opp for mye.

**FOREBYGGENDE VEDLIKEHOLDSLOGG FOR INVACARE
PLATINUM OKSYGENKONSENTRATOR**

Modell nr. IRC _____

Serienummer _____

Ved hver inspeksjon

Servicedato loggføres						
Medgåtte timer ifølge tjemåleren loggføres						
Kabinettfiltrene rengjøres						
Kontroller angitt strømhastighet i l/min						
Årlig, ved forebyggende vedlikehold eller mellom pasienter						
Kabinettet rengjøres/skiftes ut Filtre						
HEPA-filretet* for uttak kontrolleres						
Kompressorinntaket kontrolleres Filter*						
Oksygenkonsentrasjonen kontrolleres (SensO ₂ -modellene)						
Kontroller alarmen for spenningsutfall						

Service dato loggføres						
Etter behov						
Varmevexsleren rengjøres						
Lyddemperen for avgasser skiftes ut						
Toppstykket bygges opp igjen Kompressor						
Hver 180 dag (LX-modellene) **						
Kontroller oksygenkonsentrasjonen						

**MERK: Se avsnittet for forebyggende vedlikehold i Servicehåndboken.*

***MERK: Gjelder ikke EU-land.*

ADVARSEL

Invacare-produkter er spesielt utformet og fremstilt for bruk sammen med Invacare-tilbehør. Tilbehør som er fremstilt av andre produsenter er ikke testet av Invacare og anbefales ikke til bruk sammen med Invacare-produkter.

AVSNITT 7—FEILSØKINGS- VEILEDNING

SYMPTOM:	SANNSYNLIG ÅRSAK:	LØSNING:
Alarm:	Nettspenningsutfall:	
Korte pipetoner, lang pause	1. Spenningskabelen er ikke satt i.	1. Sett støpselet inn i stikk-kontakten.
Konsentratoren virker ikke, spenningsbryteren står PÅ.	2. Ikke spenning i stikk-kontakten.	2. Inspiser automatsikringer eller sikringer i huset. Hvis problemet gjentar seg bør det brukes en annen stikk-kontakt.
Pip.....Pip.....	3. Utkoplet automatsikring.	3. Ta kontakt med strømleverandøren.
Alarm: Kontinuerlig Konsentratoren virker ikke, spenningsbryteren står PÅ. Piiiiiiiiip.....	Systemsvikt: 1. Enheten overopphetet på grunn av blokkert luftinntak. 2. For lavt spenningsnivå i stikk-kontakten. 3. Nødvendig med reparasjoner i det elektriske anlegget	1a. Ta ut og rengjør kabinettfiltrene. 1b. Flytt oksygenkonsentratoren minst 7,5 cm vekk fra vegger, gardiner eller møbler. 2. Skjøteledninger skal IKKE brukes. Bytt til en annen stikk-kontakt eller en annen strømkurs. 3. Ta kontakt med strømleverandøren.

SYMPTOM:	SANNSYNLIG ÅRSÅK:	LØSNING:
<p>GUL eller RØD lampe er tent.</p> <p>Alarm: Kontinuerlig Bare ved rødt lys.</p> <p>* Gjelder bare SensO₂-modellene.</p>	<ol style="list-style-type: none"> 1. Lav oksygenrenhet.* 2. Slangen, kanylen eller luftfukteren har en knekk eller er blokkert.* 3. Strømningsmåleren er innstilt på 0,5 l/min eller lavere.* 4. Enheten overopphetet på grunn av blokkert luftinntak. 5. For lavt spenningsnivå i stikk-kontakten. 6. Nødvendig med reparasjoner i det elektriske anlegget. 	<ol style="list-style-type: none"> 1. Rengjør eller bytt ut filterne. 2. Se etter at det ikke er knekk eller blokkeringer. Korrigjer dette, rengjør eller bytt ut delen. Etter korleksjon slås spenningen AV i 60 sekunder, deretter slås spenningen PÅ igjen. 3. Påse at strømningsmåleren er innstilt på 1,0 l/min eller høyere. (Se <u>Anbefalt veiledning for å få optimal ytelse</u> på side 127. 4a. Ta ut og rengjør kabinettfilterne. 4b. Flytt konsentratoren minst 7,5 cm vekk fra vegger, gardiner eller møbler. 5. Skjøteledninger skal IKKE brukes. Bytt til en annen stikk-kontakt eller en annen strømkurs. 6. Ta kontakt med strømleverandøren.
<p>GRØNT eller GULT lys blinker.</p>	<ol style="list-style-type: none"> 1. Nødvendig med reparasjoner i det elektriske anlegget. 	<ol style="list-style-type: none"> 1. Ta kontakt med strømleverandøren.

BEGRENSET GARANTI

SYMPTOM:	SANNSYNLIG ÅRSÅK:	LØSNING:
Alarm: HURTIG Pip.....Pip... Pip....Pip	Alarm for lav strømningshastighet: Ia. Slangen, kanylen eller luftfukteren har en knekk eller er blokkert. Ib. Strømningsmåleren er innstilt på 0,5 l/min eller lavere.	Ia. Se etter at det ikke er knekk eller blokkeringer. Korrigjer dette, rengjør eller bytt ut delen. Etter korreksjon slås spenningen AV i 60 sekunder, deretter slås spenningen PÅ igjen. Ib. Nullstill strømningsmåleren til forskreven strømningshastighet. Strømningshastigheter lavere enn 1 l/min anbefales ikke.

BEGRENSET GARANTI

Norge:

Invacare AS, Grensesvingen 9, Postboks 6230, Etterstad,
N-0603 Oslo

Tlf.: (47) (0)22 57 95 00, Faks: (47) (0)22 57 95 01

norway@invacare.com

island@invacare.com

Käyttöohje

Platinum™



**Happikonsentraattorien standardi,
jossa SensO₂® ja HomeFill™**

**Malli IRC5LXAW
Malli IRC5LXO2AW
Malli IRC5LXO2AWQ
Malli IRC9LXO2AWQ**

Myyjä: Tämä käyttöohje on annettava loppukäyttäjälle.

Käyttäjä: Lue tämä käyttöohje ja säilytä se tulevaa tarvetta varten ennen tämän konsentraattorin käyttämistä.

**Lisätietoja Invacaren tuotteista,
osista ja palveluista on osoitteessa
www.invacare.com**



Yes, you can.

VAROITUS

ÄLÄ KÄYTÄ TÄTÄ LAITETTA LUKEMATTA JA SISÄISTÄMÄTTÄ ENSIN KÄYTTÖOHJETTA. JOS ET YMMÄRRÄ KÄYTTÖOHJEEN VAROITUKSIA, HUOMAUTUKSIA JA OHJEITA, OTA YHTEYTTÄ INVACAREN TEKNISIIN PALVELUIHIN ENNEN KUIN YRITÄT KÄYTTÄÄ LAITTEISTOA - MUUTEN SEURAUKSENA VOI OLLA VAKAVA RUUMIINVAMMA TAI OMAISUUSVAHINKO.

LISÄVARUSTEET

Tämän laitteen kanssa voidaan käyttää useita erilaisia kostuttimia, happiletkuja, kanyyleja ja naamareita. Kysy lisätietoja sinulle parhaiten sopivista lisävarusteista paikalliselta kodinhoitajalta. Pyydä myös lisätietoja asianmukaiseen käyttöön, huoltoon ja puhdistukseen.

VAROITUS

Invacare-tuotteet on suunniteltu ja valmistettu käytettäväksi Invacare-lisävarusteiden kanssa. Invacare ei ole testannut muiden valmistajien suunnittelemia lisävarusteita eikä niitä suositella käytettäväksi Invacare-tuotteiden kanssa.

HUOM: Ohjeen päivitetyn version voi ladata osoitteesta www.invacare.com.

ERIKOISHUOMAUTUKSET

Tässä käyttöohjeessa käytetään merkkisanoja. Merkkisanat koskevat vaaroja tai vaarallisia toimintatapoja, jotka voivat aiheuttaa henkilövahinkoja tai omaisuusvahinkoja. Merkkisanat on selitetty seuraavassa taulukossa.

MERKKISANA	MERKITYS
VAARA	Vaara ilmoittaa selvästi vaarallisesta tilanteesta, josta seuraa kuolema tai vakava vamma, jos tilannetta ei vältetä.
VAROITUS	Varoitus ilmoittaa mahdollisesti vaarallisesta tilanteesta, josta seuraa mahdollisesti kuolema tai vakava vamma, jos tilannetta ei vältetä.
HUOMAUTUS	Huomautus ilmoittaa mahdollisesti vaarallisesta tilanteesta, josta seuraa mahdollisesti omaisuusvahinko, jos tilannetta ei vältetä.

HUOMAUTUS

Tämän oppaan tiedot voivat muuttua ilman ennakoilmoitusta.

VAARA

Käyttäjät EIVÄT saa tupakoida tätä laitetta käytettäessä. Pidä kaikki tulitikut, sytytetyt savukkeet tai muut sytytyslähteet poissa huoneesta, jossa tämä tuote sijaitsee. Tupakointi kielletty -kylttien tulee olla selkeästi esillä. Tekstiilit ja muut materiaalit, jotka eivät normaalisti pala, palavat ja syttyvät herkästi, kun ilmassa on paljon happea. Tämän varoituksen noudattamatta jättäminen voi johtaa tulipaloon ja omaisuusvahinkoon sekä aiheuttaa fyysisen vamman tai kuoleman.

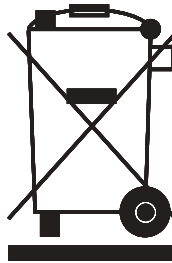
KIERRÄTYSTIEDOT

Tämän laitteen valmistaja on ympäristötietoinen ja noudattaa Waste Electrical and Electronic Equipment (WEEE) -direktiiviä 2002/96/CE.

Tämä laite voi sisältää mahdollisesti ympäristölle haitallisia materiaaleja, jos laite hävitetään muuten kuin lain määrittämällä tavalla (esim. viemällä se kaatopaikalle).

Tämän laitteen "roska-astian päällä oleva rasti" -symboli kehottaa sinua kierrättämään aina kun se on mahdollista.

Ole ympäristötietoinen ja kierrätä tämä laite kierrätyskeskuksen kautta sen käyttöiän umpeuduttua.



OSA I—YLEISET OHJEET

VAROITUS

OSA 3 — YLEISET OHJEET sisältää tärkeitä tietoja tämän tuotteen turvallisesta käytöstä. **ÄLÄ** käytä tätä tuotetta tai lisävarusteita lukematta ja sisäistämättä ensin näitä ohjeita. Lue ja sisäistä myös tämän tuotteen tai lisävarusteiden mukana tulevat omistajan käsikirjat, huolto-ohjeet tai ohjelehtiset. Jos et ymmärrä käyttöohjeen varoituksia, huomautuksia ja ohjeita, ota yhteyttä hoitohenkilökuntaan, myyjään tai valtuutettuun teknikkoon ennen kuin yrität käyttää laitteistoa.

Näitä ohjeita PITÄÄ noudattaa Platinum-konsentraattorin turvallisen asennuksen, kokoamisen ja käytön varmistamiseksi.

HUOMAUTUS

"Huomautus: Laki voi rajoittaa tämän laitteen myynnin vain lääkäreille tai lääkärin määräyksestä, tai muun vastaavan asianmukaisen viraston hyväksymän ammatinharjoittajan käyttöön tai määräyksestä."

VAARA

Sähköiskuvaara. **ÄLÄ** pura laitetta. Jätä laitteen huoltaminen pätevän huoltohenkilökunnan tehtäväksi.

⚠ VAROITUKSET

Happihoidon aikana tulee noudattaa erityistä huolellisuutta tulipalovaaran pienentämiseksi. Kaikki ilmakehässä palavat materiaalit ja jotkin palamattomatkin syttyvät helposti ja palavat nopeasti suuren happipitoisuuden omaavissa tiloissa. Turvallisuussyistä on tärkeää pitää kaikki sytytyslähteet kaukana tuotteesta ja mieluiten poissa huoneesta, jossa sitä käytetään. TUPAKOINTI KIELLETTY -kylttien tulee olla selkeästi esillä.

Jos öljy, rasva tai rasvainen aine pääsee kosketuksiin paineenalaisen hapen kanssa, seurauksena voi olla spontaani ja voimakas syttyminen. Tällaiset aineet TULEE pitää kaukana happikonsentraattorista, letkuista ja liitännöistä, sekä kaikista muista happilaitteistoista. ÄLÄ käytä muita kuin Invacaren erityisesti suosittelemia voiteluaineita.

Parhaan mahdollisen suorituskyvyn takaamiseksi Invacare suosittelee, että konsentraattorin annetaan käydä vähintään 30 minuuttia kerrallaan. Lyhyemmät käyttäjaksot voivat lyhentää tuotteen käyttöikää.

Jos konsentraattorin virtajohto tai pistoke on vaurioitunut, laite ei toimi oikein, laite on pudotettu, vaurioitunut tai pudonnut veteen, ota yhteyttä valtuutettuun huoltohenkilöstöön laitteen tarkistamista ja korjausta varten.

Pidä happiletkut, virtajohto ja laite kaukana kuumenevista tai kuumista pinnoista, mukaan lukien tilalmmittimet, peitot, uunit ja vastaavat sähkölaitteet.

ÄLÄ liikuta tai siirrä konsentraattoria johdosta vetämällä.

ÄLÄ KOSKAAN pudota tai työnnä esineitä mihinkään laitteen aukoista.

ÄLÄ KOSKAAN tuki laitteen ilma-aukkoja tai sijoita laitetta pehmeälle pinnalle, kuten sängylle tai sohvalle, jossa ilma-aukot voivat tukkiintua. Pidä aukot puhtaana nukasta, hiuksista ja vastaavista roskista.

Täytä kostutin vedellä valmistajan merkitsemälle tasolle asti. ÄLÄ ylitäytä.

Pidä laite vähintään 7,5 cm:n päässä seinistä, verhoista, huonekaluista ja vastaavista.

Invacare suosittelee käyttämään tämän laitteen kanssa Crushproof-happiletkuja (Invacaren toimittamat), joiden pituus EI ylitä 15,2 metriä. Platinum 9:ää suositellaan käytettävän enintään 15 metrin pituisessa nopean virtauksen putkistossa.

Huolto

Invacaren happikonsentraattori on suunniteltu mahdollisimman vähäistä huoltoa silmällä pitäen. Laite tulee huoltaa säännöllisesti kerran vuodessa. Happikonsentraattorin ennakoivaa huoltoa ja suorituskyvyn säätöjä saa suorittaa vain ammattimainen hoitohenkilöstö ja menetelmän täydellisesti osaavat henkilöt, kuten valtuutettu tai tehtaan kouluttama huoltohenkilöstö.

Radiotaajuushäiriöt

Radiotaajuushäiriöt (RFI) vaikuttavat useimpiin elektroniisiin laitteisiin. Tällaisten laitteiden lähistöllä tulee välttää kannettavien tiedonsiirtolaitteiden käyttöä.

Palovamma-, sähköisku-, tulipalo- ja ruumiinvammariskin pienentäminen

Vältä laitteen käyttöä kylpemisen aikana. Jos laitetta pitää lääkärin määräyksestä käyttää jatkuvasti:

Konsentraattori pitää sijoittaa toiseen huoneeseen vähintään 2,1 metrin päähän kylpyammeesta.

ÄLÄ koske konsentraattoria, jos olet märkä.

Laitetta EI KOSKAAN saa jättää yksin, kun se on käynnissä.

ÄLÄ sijoita tai varastoi tuotetta sellaiseen paikkaan, jossa se voi pudota veteen tai muuhun nesteeseen.

ÄLÄ koske veteen pudonneeseen laitteeseen. Irrota laite VÄLITTÖMÄSTI pistorasiasta.

Tätä laitetta tulee käyttää ainoastaan lääkärin määräysten ja tämän käyttöohjeen ohjeiden mukaisesti. Jos potilas tai hoitaja huomaa potilaan saavan liian vähän happea, tulee hänen VÄLITTÖMÄSTI ottaa yhteyttä laitteen toimittajaan ja/tai lääkäriin. Virtausnopeutta ei tule säätää ilman lääkärin määräystä.

Laitteen käyttöä lasten tai liikuntarajoitteisten henkilöiden lähellä tulee valvoa tarkasti.

Käytä laitetta vain tässä käyttöohjeessa annettujen ohjeiden mukaisesti.

ÄLÄ kytke konsentraattoria rinnakkain tai sarjaan muiden happikonsentraattorien tai happihoitolaitteiden kanssa.

Hallintalisälaitteiden ja tiettyjen kostuttimien, joita ei ole tarkoitettu käytettäväksi happikonsentraattorien kanssa, käyttö voi heikentää laitteen suorituskykyä.

Tietyissä olosuhteissa happihoito voi olla vaarallista. Invacare suosittelee kysymään lääkäriin mielipidettä ennen tämän laitteen käyttöä.

Tätä laitetta tulee käyttää happilisälaitteena, eikä se sovellu elvytys- tai ylläpitolaitteeksi.

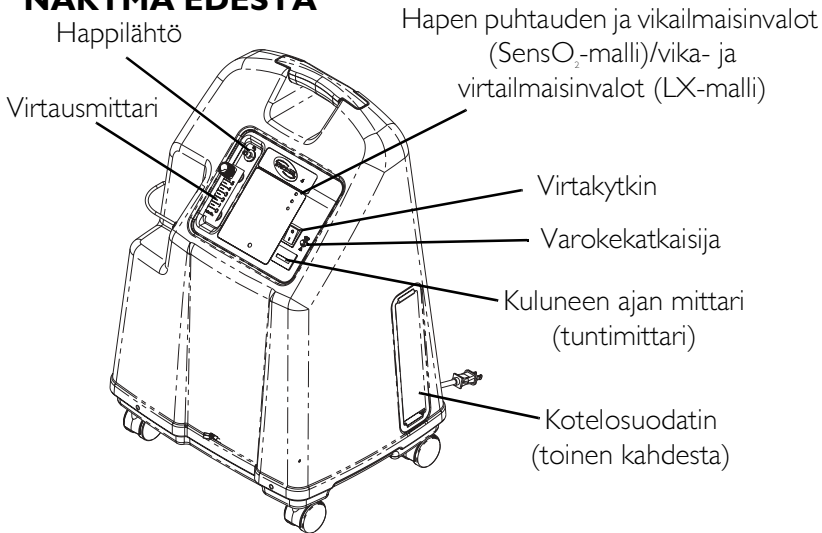
Vältä kipinöitä lääketieteellisten happilaitteiden läheisyydessä. Tämä koskee myös staattisen ja muun hankaussähkön aiheuttamia kipinöitä.

Happipitoisuus

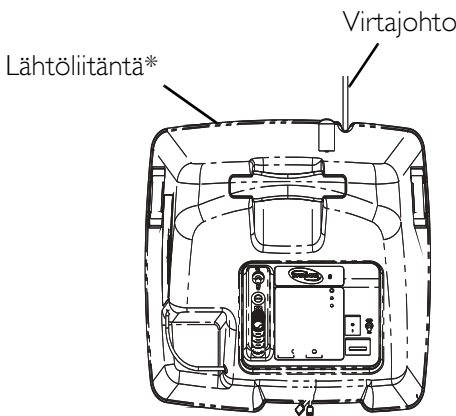
Älä säädä virtausta PUNAISEN renkaan yläpuolelle.
Happivirtauksen ollessa yli 5 l/min (IRC5LXO2AW,
IRC5LXAW, IRC5LXO2AWQ) ja 9 l/min (IRC9LXO2AWQ)
happipitoisuus laskee.

OSA 2—OMINAISUUDET

NÄKYMÄ EDESTÄ



**HUOM: Tätä lähtöliitettä tulee käyttää ainoastaan happisäiliöiden täyttämiseen HomeFill -kotihomeFill-kompressorilla. Lähtöliitettä ei vaikuta konsentraattorin suorituskykyyn. Katso liitäntä- ja käyttöohjeet HomeFill -käyttöohjeesta (osanumero 1145806). Kun liitäntä ei ole käytössä, se tulee tukkia konsentraattorin mukana toimitetulla tulpalla. Pyydä lisätietoja HomeFill -järjestelmästä Invacarelta.*



NÄKYMÄ YLHÄÄLTÄ

LISÄVARUSTEET (EI NÄKYVISSÄ):

HomeFill
-kotihomeFill-kompressor

Pyydä lisätietoja saatavilla olevista lisävarusteista paikalliselta Invacare edustajalta.

OSA 3—KULJETUS JA KÄSITTELY

HUOM: Katso ohjeet kohdasta KUVA 3.1.

Ennen konsentraattorin asentamista ja käyttöä, tutustu Platinum-sarjan käyttöohjeeseen.

Platinum-konsentraattori tulee AINA pitää pystyasennossa kotelovaurioiden välttämiseksi kuljetuksen aikana.

Kuljetuspakkaus on suunniteltu suojaamaan konsentraattoria mahdollisimman hyvin.

Jos konsentraattori pitää lähettää eteenpäin, se tulee pakata uuteen pakkaukseen. Lisäpakkauksia on saatavana Invacarelta.

Ilmakompressorin ohjausjärjestelmä on suunniteltu kestämään huomattavaa liikettä.

Pakkauksen purkaminen

1. Tarkista pakkaus ja sen sisältö näkyvien vaurioiden varalta. Jos huomaat vaurioita, ilmoita asiasta kuljetusyhtiölle tai Invacarelle.
2. Poista kaikki irtonaiset pakkausmateriaalit pakkauksesta.
3. Poista kaikki laitteen osat varovaisesti pakkauksesta.

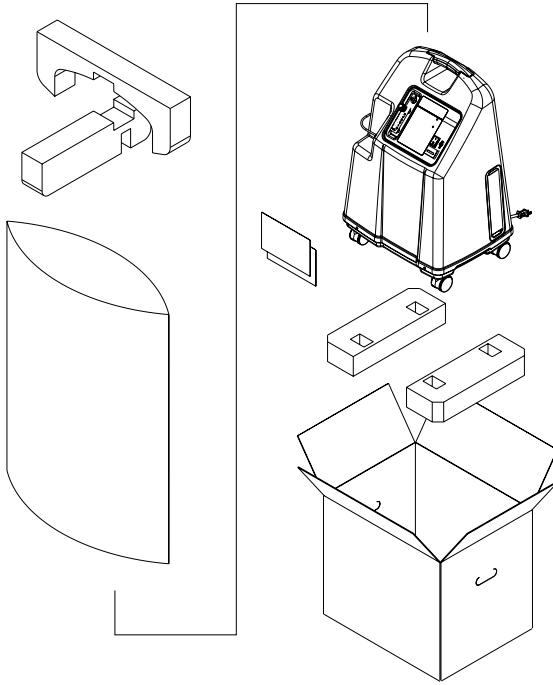
HUOM: Säilytä pakkaus ja pakkausmateriaalit Platinum-laitteen varastointia varten.

Tarkistus

1. Tarkista happikonsentraattorin ulkopinta lovien, lommojen, naarmujen ja muiden vaurioiden varalta. Tarkista kaikki osat.








Varastointi

1. Varastoi uudelleenpakattu happikonsentraattori kuivaan paikkaan.
2. ÄLÄ aseta muita esineitä uudelleenpakatun konsentraattorin päälle.



KUVA 3.1 Pakkauksen purkaminen

OSA 4—TYYPILLISET TUOTEPARAMETRIT

Säännösten mukainen listaus:	EN/IEC 60601-1
	Vaihtovirta
	Tyyppin BF laite
	Laite käynnissä
	Laite ei käynnissä
	Huomio - tutustu laitteen mukana toimitettuihin asiakirjoihin
	ÄLÄ tupakoi
	Luokka II, kaksinkertainen eristys

Sähkövaatimukset:	230 VAC ± 10 % (253 VAC/207 VAC), 50 Hz
Nimellisvirtatulo:	1,4 A (IRC5LXO2AWQ)
	2,0 A (IRC5LXAW, IRC5LXO2AW)
	2,5 A (IRC9LXO2AWQ)
Melutaso:	39,5 dB keskiarvo (IRC5LXO2AWQ)
	44 dB keskiarvo (IRC5LXAW, IRC5LXO2AW)
	50 dB keskiarvo (IRC9LXO2AWQ)
Korkeus:	Korkeintaan 1828 metriä merenpinnan yläpuolella ilman pitoisuustason laskemista. EI SUOSITELLA KÄYTETTÄVÄKSI YLI 1828 metriä merenpinnan yläpuolella
	IRC9LXO2AWQ - Enintään 4000 jalkaa (1230 metriä) merenpinnan yläpuolella pitoisuustasojen laskematta. 4000 jalan (1230 metrin) - 13 129 jalan (4000 metrin) korkeudessa: alle 90 % tehosta.

OSA 4—TYYPILLISET TUOTEPARAMETRIT

<p>*Happilähtö Pitoisuustasot: Kaikki 5LXO2AWQ/5LXAW/ 5LXO2AW/9LXO2AWQ -mallit *Annetut pitoisuustasot saavutetaan alkulämmitysjakson jälkeen (noin 30 minuuttia).</p>	<p>IRC5LXAW, IRC5LXO2AW, IRC5LXO2AWQ 93 %:n minimi virtauksella 1 - 3 l/min. 91 %:n minimi virtauksella 4 l/min. 87 %:n minimi virtauksella 5 l/min. (suurin suositeltu virtaus) IRC9LXO2AWQ vähintään 93 %, 1 - 7 l/min. vähintään 91 %, 8 l/min. vähintään 87 %, 9 l/min.</p>
<p>Suurin lähtöpaine:</p>	<p>IRC5LXAW, IRC5LXO2AW, IRC5LXO2AWQ 34,5 ± 3,45 kPa</p>
	<p>IRC9LXO2AWQ 62,0 kPa ± 3,45 kPa (5 ± 0.5 psi)</p>
<p>Virtausalue:</p>	<p>IRC5LXAW, IRC5LXO2AW, IRC5LXO2AWQ 0,5 - 5 l/min. Alle 1 l/min virtausnopeuksia ei suositella.</p>
	<p>IRC9LXO2AWQ 1 l/min - 9 l/min. Alle 1 l/min virtausnopeuksia ei suositella.</p>
<p>Hitaan virtauksen hälytys:</p>	<p>0 - 0,5 l/min. Nopeassa tahdissa soiva äänimerkkihälytys (kun lisävarusteita ei ole kytketty).</p>
<p>Keskimääräinen virrankulutus:</p>	<p>(IRC5LXO2AWQ) 300 W 280 W @ ≤ 3 L/min</p>
	<p>(IRC5LXO2AW) 365 W 340 W @ ≤ 3 L/min</p>
	<p>380 W (IRC5LXAW)</p>
	<p>500 W (IRC9LXO2AWQ)</p>
<p>Paineenalennusmekanismi toimii:</p>	<p>241 kPa ± 24,1 kPa</p>



OSA 4—TYYPILLISET TUOTEPARAMETRIT

Muutos suurimmassa suositellussa virtauksessa 7k Pa:n vastapaineella:	0,7 l/min.
Suodattimet:	Kotelo (2), lähdön HEPA ja kompressoritulo.
Turvajärjestelmä:	Ylivirta- tai virtapiikkikatkaus. Liian kuumen kompressorin sammutus. Korkeapainehälytys ja kompressorin sammutus. Matalapainehälytys ja kompressorin sammutus. Akuton virtakatkohälytys. SensO ₂ -happijärjestelmän (SensO ₂ -malli) hitaan virtauksen hälytys.
Leveys:	46,7 cm ± 1 cm
Korkeus:	67,0 cm ± 1 cm
Syvyys:	36,5 cm ± 1 cm
Paino:	IRC5LXAW, IRC5LXO2AW, IRC5LXO2AWQ 23,6 kg ± 1 kg
	IRC9LXO2AWQ 24,0 kg ± 1 kg
Kuljetuspaino:	26,8 kg ± 1 kg
	IRC9LXO2AWQ 27,2 kg ± 1 kg
Käyttöympäristön lämpötila:	10 - 35 °C 20-60 %:n suhteellisessa kosteudessa.
Poistoilma:	Alle ympäröivän +19 °C
Happilähtö:	Alle ympäröivän +2 °C
Kotelo:	Iskunkestävä, palamatonta muovia oleva kotelo, joka on UL 94-V0 -standardin mukainen.

OSA 4—TYYPILLISET TUOTEPARAMETRIT

Säännöstenmukainen listaus:	<p>5LXAW/5LXO2AW/5LXO2AWQO2AW/ 5LXO2AWQ</p> <p>ETL on testannut laitteen ja se on yhdenmukainen seuraavan kanssa: EN55011 EN61000-3-2 EN61000-3-3 IEC 60601-1, A1, A2 IEC 60601-1-2</p> <p>Vain 5LXO2AW/5LXO2AWQ9LXO2AWQ -mallit ISO8359 MDD</p>
CE-merkityt mallit:	5LXO2AW, 5LXO2AWQ, 9LXO2AWQ
Sähkövirta:	Ei jatkojohtoja.
Sijoitus:	Vähintään 7,5 cm:n päähän seinistä, huonekaluista, verhoista, yms.
Letkut:	<p>IRC5LXAW, IRC5LXO2AW, IRC5LXO2AWQ</p> <p>2,1 metrin kanyyli ja enintään 15,2 metrin rutistuksenkestävä letku (ÄLÄ purista).</p>
	<p>IRC9LXO2AWQ</p> <p>Suosittelaa käytettäväksi enintään 15 metrin pituisessa nopean virtauksen putkistossa nopean virtauksen kanyylin kanssa kaikissa virtausnopeuksissa.</p>
Suhteellinen kosteus:	20 - 60 %
Käyttöaika:	24 tuntia päivässä.
Suosittelut varastointi- ja kuljetuslämpötila:	-29 - 65 °C 15-95 %:n suhteellisessa kosteudessa.

SENSO₂-ILMAISIMET

TARRAN SYMBOLI	TILA	ILMAISINVALOT (LED)
O ₂	JÄRJESTELMÄ KUNNOSSA O ₂ yli 85 % (± 2 %)	VIHREÄ ilmaisinalo
	O ₂ välillä 73 % (±3 %) - 85 % (±2 %)	KELTAINEN ilmaisinalo A. KELTAINEN valo palaa B. KELTAINEN valo vilkkuu Virhe Ota yhteyttä valtuutettuun teknikkoon.
	JÄRJESTELMÄVIRHE O ₂ alle 73 % (±3 %)	PUNAINEN ilmaisinalo Katso kohta <u>Vianetsintäopas</u> sivulla 171.

LX-ILMAISIMET

TARRAN SYMBOLI	TILA	ILMAISINVALOT (LED)
I/O	JÄRJESTELMÄ KUNNOSSA	VIHREÄ ilmaisinalo
	JÄRJESTELMÄVIRHE	PUNAINEN ilmaisinalo Jatkuva äänimerkkihälytys Sieve-GARD™ -kompressori Sammutus Ota yhteyttä valtuutettuun teknikkoon.

OSA 5—KÄYTTÖOHJEET

Johdanto

Tämä happikonsentraattori on tarkoitettu yksityiskäyttöön kotona. Se on sähkökäyttöinen laite, joka erottaa hapen huoneilmasta. Laite johtaa käyttäjälle suuren happipitoisuuden omaavaa ilmaa nenäkanyylillä. Kliiniset tutkimukset ovat osoittaneet, että happikonsentraattorit vastaavat hoitokäytössä muita hapenantojärjestelmiä.

Laitetoimittaja opastaa sinua happikonsentraattorin käytössä. Ota yhteyttä laitetoimittajaan, jos sinulla on kysyttävää tai ongelmia happikonsentraattorin suhteen. Tämä käyttöohje antaa sinulle tietoja konsentraattorista ja voit käyttää sitä viitemateriaalina konsentraattorin käytössä.

Sijainnin valitseminen

Voit valita huoneen, jossa happikonsentraattorin käyttö on kätevintä. Konsentraattori voidaan helposti siirtää huoneesta toiseen sen pyörien avulla.

Happikonsentraattori toimii parhaiten seuraavissa olosuhteissa. Laitteen käyttö muissa kuin kuvailluissa olosuhteissa voi lisätä laitteen huoltotarvetta. Laitteen ilmanottoaukon tulee olla hyvän ilmanvaihdon omaavalla alueella, jotta välttyään ilmansaasteilta ja/tai savuilta ja käryiltä.

Suosituksset parhaan mahdollisen suorituskyvyn varmistamiseen

Lämpötila:	10 - 35 °C
Sähkövirta:	Ei jatkojohtoja.
Sijoitus:	Vähintään 7,5 cm:n päähän seinistä, huonekaluista, verhoista, yms.
Letkut ja kanyyli:	IRC5LXAW, IRC5LXO2AW, IRC5LXO2AWQ 2,1 metrin kanyyli ja enintään 15,2 metrin rutistuksenkestävä letku (ÄLÄ purista).
	IRC9LXO2AWQ Suositellaan käytettäväksi enintään 15 metrin pituisessa nopean virtauksen putkistossa nopean virtauksen kanyylin kanssa kaikissa virtausnopeuksissa.
Ympäristö:	Savu- ja nokivapaa. Ei suljettuja tiloja (esim: ei komeroja).
Suhteellinen kosteus:	20 - 60 %
Käyttöaika:	24 tuntia päivässä.
Virtausnopeus:	IRC5LXAW, IRC5LXO2AW, IRC5LXO2AWQ 0,5 - 5 l/min. Alle 1 l/min virtausnopeuksia ei suositella.
	IRC9LXO2AWQ 1 l/min - 9 l/min. Alle 1 l/min virtausnopeuksia ei suositella.
Vähimmäiskäyttöaika:	30 minuuttia

HUOM: Varmista, että konsentraattori on vähintään 7,5 cm:n päässä seinistä, verhoista ja huonekaluista. Näin varmistat riittävän ilmanvirtauksen. Vältä paksuja nukkamattoja ja lämmittimiä, sekä muita kuumaa ilmaa päästäviä laitteita.

Virtajohdon kytkeminen

1. Kytke virtajohto sähköpistorasiaan.

Kostuttimen kytkeminen (jos määrätty)

HUOM: Katso ohjeet kohdasta KUVA 5.1 sivulla 162, KUVA 5.2 sivulla 162, KUVA 5.3 sivulla 163 ja KUVA 5.4 sivulla 164.

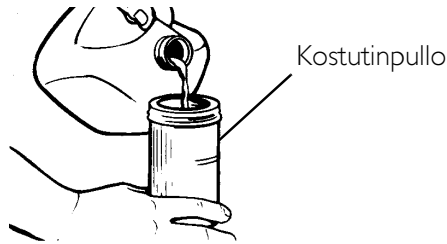
1. Täytä kostutin tislatulla vedellä valmistajan merkitsemälle tasolle asti. (Pyydä suositusarvot Invacarelta.)

⚠ VAROITUS

ÄLÄ ylitäytä kostutinta.

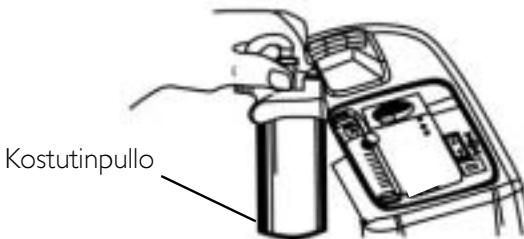
Aseta kostuttimen korkki paikoilleen ja kiristä tiukasti.

ÄLÄ vaihda hapen tulo- ja lähtökytkentöjä. Kostutinpullon vesi kulkee kanyylin kautta potilaalle.



KUVA 5.1 Kostuttimen täyttäminen

2. Aseta kostutinpullo kostutinkoteloon.

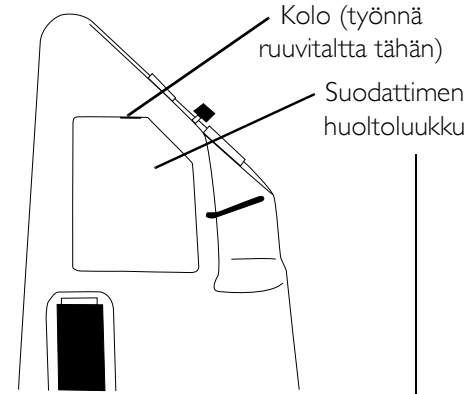


KUVA 5.2 Kostutinkotelo

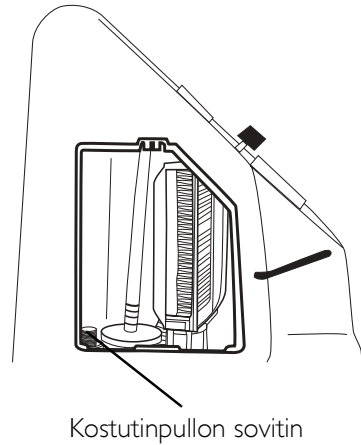
3. Irrota konsentraattorin sivulla sijaitseva suodattimen huoltoluukku. Aseta ruuvitaltta suodattimen huoltoluukun yläreunan koloon ja väännä suodattimen huoltoluukku varovaisesti auki. Katso kohta "A" KUVA 5.3.

4. Kostutinsovitin on tulosuodattimen vieressä. Vedä kostutinpullon suodatinta ylös ja irrota se. Katso Kohta "B" KUVA 5.3.
5. Kytke sovitin kostuttimeen kääntämällä kostutinpullon siipimutteria vastapäivään, kunnes se on tiukasti kiinni. Katso Kohta "C" KUVA 5.3.

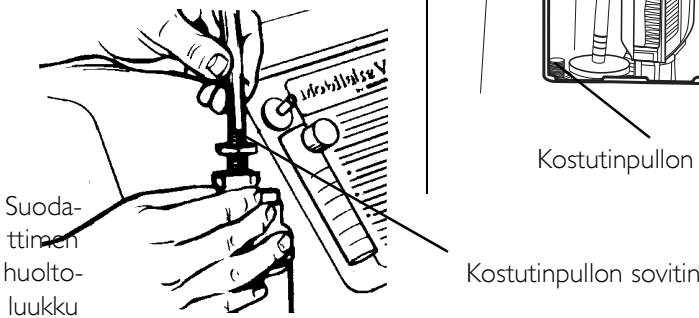
KOHTA "A"



KOHTA "B"



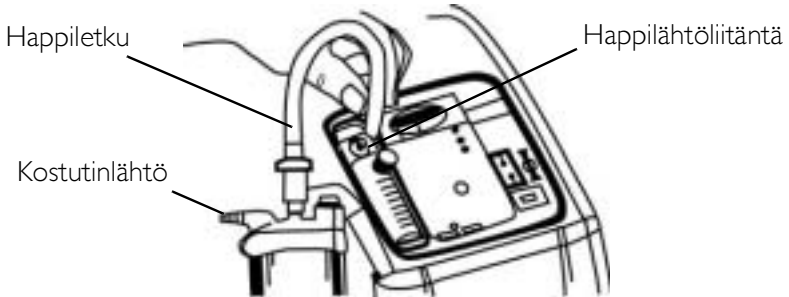
KOHTA "C"



KUVA 5.3 Kostutinpullon sovittimen kiinnittäminen

6. Kytke happiletku kostutinpullosta happikonsentraattorin happilähtöliitäntään.
7. Kytke kanyyli/potilasletku kostutinpullon lähtöliitäntään.
8. Varmista kokoamisen jälkeen, että kanyylin läpi virtaa happea.

9. Aseta suodattimen huoltoluukku takaisin konsentraattorin koteloon napsauttamalla se takaisin paikoilleen.



KUVA 5.4 Happiletkun kytkeminen

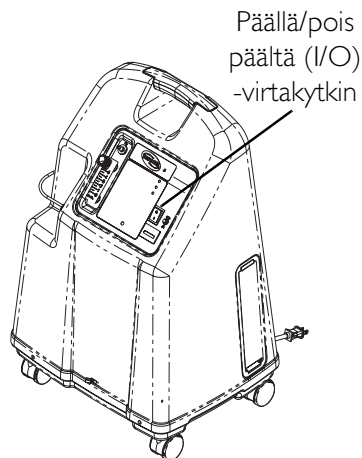
⚠ VAROITUS

Parhaan mahdollisen suorituskyvyn takaamiseksi Invacare suosittelee, että konsentraattorin annetaan käydä vähintään 30 minuuttia kerrallaan. Lyhyemmät käyttöjaksot voivat lyhentää tuotteen käyttöikää.

Virtakytkin

HUOM: Katso ohjeet kohdasta KUVA 5.5.

1. Paina virtakytkin päällä-asentoon. Paneelin kaikki valot syttyvät hetkeksi ja kuulet äänimerkin, joka kertoo laitteen toimivan asianmukaisesti. Sekunnin kuluttua palamaan jää vain VIHREÄ järjestelmä ok/virtavalvo.



KUVA 5.5 Virtakytkin

Virtausnopeus

HUOM: Katso ohjeet kohdasta KUVA 5.6.

1. Käännä virtausnopeuden nuppi lääkärin määräämään asetukseen.

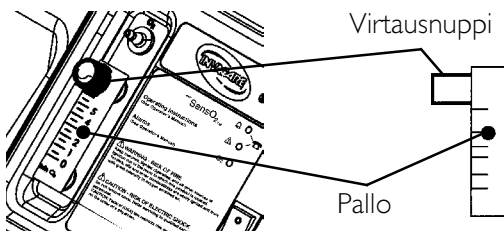
VAROITUS

ÄLÄ muuta virtausmittarin l/min-asetusta ilman lääkärin määräystä.

HUOM: Virtausmittarin oikea lukeminen vaatii määrätyn virtausnopeuden paikallistamista virtausmittarissa. Käännä sitten virtausnuppia kunnes pallo nousee kyseiselle tasolle. Keskistä sitten pallo määrätylle l/min-viivalle.

2. Jos virtausmittarin virtausnopeudeksi laskee alle 0,5 l/min yli minuutin ajaksi, laite käynnistää HIDAS VIRTAUS-hälytyksen. Tämä ilmenee äänimerkin nopeana toistumisena. Tarkista letkut ja lisävarusteet tukkeutuneen tai taittuneen letkun ja viallisen kostutinpullon varalta. Kun asianmukainen virtausnopeus (yli 0,5 l/min) on palautettu, HIDAS VIRTAUS-hälytysääni lakkaa soimasta.

HUOM: Tiettyjen lisävarusteiden, kuten pediatriksen virtaustason tai HomeFill -kompressorin, käyttö poistaa Hidas virtaus-hälytyksen toiminnasta.



KUVA 5.6 Virtausnopeus

SensO₂ hapen puhtauden ilmaisimet (LX O₂ -anturimalli)

Tämä toiminto valvoo happikonsentraattorin toimittaman hapen puhtautta. Jos puhtaus laskee tehdasmääritetyn tason alle, ohjauspaneelin ilmaisINVALOT syttyvät.

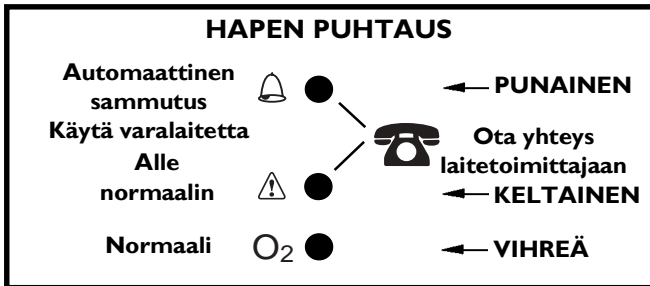
Konsentraattorin käynnistys

HUOM: Konsentraattoria voidaan käyttää käynnistyksen lämpiämisaikan aikana (noin 30 minuuttia) odotettaessa, että O₂-puhtaus saavuttaa enimmäisarvon.

Kun laite käynnistetään, VIHREÄ valo syttyy (JÄRJESTELMÄ OK/O₂-pitoisuus yli 85 %). Viiden minuutin kuluttua happianturi toimii normaalisti ja ohjaa ilmaisINVALOJA laitteen happipitoisuusarvojen mukaisesti.

Hapen puhtauden ilmaisINVALOJEN selitykset

HUOM: Katso ohjeet kohdasta KUVA 5.7.



KUVA 5.7 SensO₂ hapen puhtauden ilmaisimet (LX O₂ -anturimalli)

VIHREÄ valo (O₂) - normaali toiminta.

KELTAINEN valo (⚠️) - ota VÄLITTÖMÄSTI yhteys laitetoimittajaan. Voit jatkaa konsentraattorin käyttöä ellei laitetoimittaja toisin määrää. Varmista, että varahappilaite on lähettyvillä.

PUNAINEN valo (△) - laitteen täydellinen sammutus. Vaihda VÄLITTÖMÄSTI varahappilaitteeseen. Ota VÄLITTÖMÄSTI yhteys laitetoimittajaan (KUVA 5.7).

VIHREÄ valo - kun KELTAINEN valo vilkkuu - ota VÄLITTÖMÄSTI yhteys laitetoimittajaan. Happianturin virhetoiminta, voit jatkaa konsentraattorin käyttämistä (KUVA 5.7).

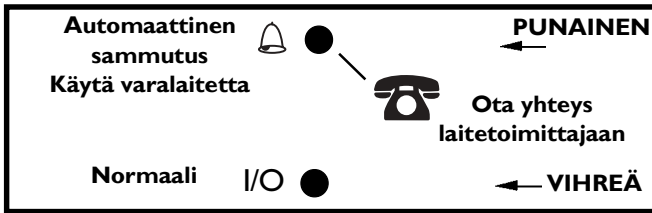
Ilmaisimet (LX-malli)

HUOM: Katso ohjeet kohdasta KUVA 5.8.

LX-mallien ilmaisinvalojen selitykset

PUNAINEN valo (△) - laitteen täydellinen sammutus. Vaihda VÄLITTÖMÄSTI varahappilaitteeseen. Ota VÄLITTÖMÄSTI yhteys laitetoimittajaan.

VIHREÄ valo (I/O) - päällä/pois päältä. Järjestelmä kunnossa.



KUVA 5.8 Ilmaisimet (LX-malli)

Pääverkkovirtakatkon hälytysjärjestelmä

Hälytysjärjestelmässä ei ole akkua/paristoa - siksi sitä ei tarvitse huoltaa. Hälytysjärjestelmän virta tulee jatkuvasti latautuvasta kondensaattorista, joka käynnistää hälytyksen pääverkkovirran katketessa.

Kuluneen ajan mittari (tuntimittari)

Tuntimittari kertoo laitteen käyttötuntien kumulatiivisen lukumäärän.

OSA 6—HUOLTO

HUOM: Invacare-konsentraattorit on suunniteltu mahdollisimman vähäistä ennakoivaa huoltoa silmällä pitäen. Erittäin pölyisissä tai nokisissa paikoissa laitetta voi olla tarpeen huoltaa useammin. Konsentraattorin ennakoivan huollon saa suorittaa vain valtuutettu tai tehtaan kouluttama huoltohenkilöstö. Ennen Invacare-konsentraattorin huoltamista laite tulee irrottaa verkkovirrasta.

HUOM: Ennakoiva huolto PITÄÄ suorittaa vähintään huoltotiedoissa annetuin väliajoin. Katso kohta Ennakoivan huollon tiedot Invacare Platinum -happikonsentraattorille sivulla 170.

Rutiinihuolto

HUOM: Seuraava rutiinihuolto tulee suorittaa useammin. Katso jokaisen kohdan ja ennakoivan huollon tietojen suositellut väliajat.

Kotelosuodattimen puhdistaminen

HUOM: Katso ohjeet kohdasta KUIVA 6.1 sivulla 169.

HUOMAUTUS

ÄLÄ käytä konsentraattoria ilman suodattimia.

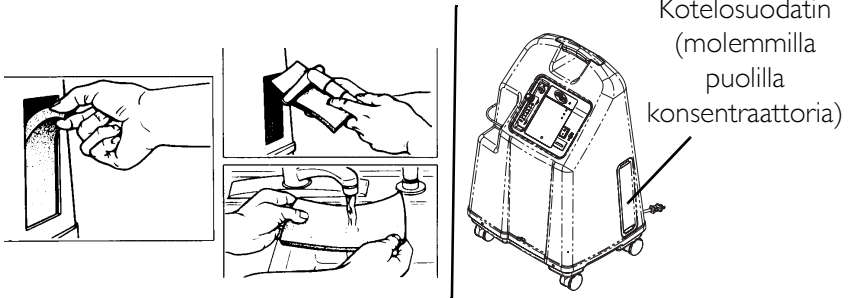
HUOM: Laitteessa on kaksi kotelosuodatinta. Yksi suodatin kotelon kummallakin puolella.

1. Poista ja puhdista molemmat suodattimet vähintään kerran viikossa käyttöympäristön mukaan.

HUOM: Käyttöympäristön olosuhteet voivat vaatia suodattimien puhdistamista useammin. Tällaisia olosuhteita ovat mm: huomattava pöly, tupakointi, ilmansaasteet, jne.

2. Puhdista kotelosuodattimet imurilla tai pese ne lämpimällä saippuavedellä ja huuhtelee huolellisesti.

3. Kuivaa suodattimet huolellisesti ennen kuin asennat ne takaisin laitteeseen.



KUVA 6.1 Kotelosuodattimen puhdistaminen

Kotelo

⚠ VAROITUS

Irrota konsentraattori verkkovirrasta puhdistuksen ajaksi. ÄLÄ irrota koteloa, muuten seurauksena voi olla sähköisku.

1. Puhdista kotelo miedolla yleispuhdistusaineella ja ei-hankaavalla kankaalla tai sienellä.

Kostutin

HUOM: Puhdista happikostutin laitteen valmistajan ohjeiden mukaisesti. Jos tällaisia ohjeita ei ole, toimi seuraavasti:

1. Puhdista kostutin joka päivä.
2. Pese se saippuavedellä ja huuhtelee liuoksella, jossa on kymmenen osaa vettä ja yksi osa etikkaa.
3. Huuhtelee huolellisesti kuumalla vedellä ja täytä tislattulla vedellä kostuttimessa olevaan merkkiin asti.

 **VAROITUS**

ÄLÄ ylitäytä kostutinpulloa.

**ENNAKOIVAN HUOLLON TIEDOT INVACARE PLATINUM
-HAPPIKONSENTRAATTORILLE**

Mallinumero IRC _____

Sarjanumero _____

Jokaisella tarkastuskerralla

Kirjaa huoltopäivämäärä						
Kirjaa tuntimittarin kuluneet tunnit						
Puhdista kotelosuodattimet						
Tarkista määrätty virtausnopeus (l/min)						
Vuosittain, ennakoivan huoltoaikataulun mukaisesti tai potilaiden välillä						
Puhdista/vaihda kotelo- suodattimet						
Tarkista lähdön HEPA-suodatin*						
Tarkista kompressorin tulo- suodatin*						
Tarkista happipitoisuus (SensO ₂ -mallit)						
Tarkista virtakatkohälytys						
Tarvittaessa						
Puhdista lämmönvaihdin						
Vaihda poistovaimennin						
Korjaa kompressorin yläosa						
Aina 180 vuorokauden välein (LX-malli) **						
Tarkista happipitoisuus						

**HUOM: Katso huolto-ohjeen ennakoivaa huoltoa käsittelevä osa.*

***HUOM: Ei EU-maissa.*

⚠ **VAROITUS**

Invacare-tuotteet on suunniteltu ja valmistettu käytettäväksi Invacare-lisävarusteiden kanssa. Invacare ei ole testannut muiden valmistajien suunnittelemaa lisävarusteita eikä niitä suositella käytettäväksi Invacare-tuotteiden kanssa.

OSA 7—VIANETSINTÄOPAS

OIRE:	TODENNÄKÖINEN SYY:	RATKAISU:
Hälytys:	Päävirtakatko:	
Lyhyet äänimerkit, pitkä väli	1. Virtajohto EI OLE kytketty pistorasiaan.	1. Kytke pistoke pistorasiaan.
Konsentraattori ei toimi, virtakytkin päällä-asennossa.	2. Pistorasiaan ei tule virtaa.	2. Tarkista talon varokatkaisijat ja sulakkeet. Jos ongelma jatkuu, kokeile toista pistorasiaa.
Piip.....Piip.....	3. Lauennut varokatkaisija.	3. Ota yhteyttä laitetoimittajaan.
Hälytys: Jatkuva Konsentraattori ei toimi, virtakytkin päällä-asennossa. Beeeeeeep....	Järjestelmävirhe: 1. Laite kuumenee liikaa tukkeutuneen ilmanottoa ukon takia. 2. Pistorasiaan ei tule riittävästi virtaa. 3. Laite vaatii sisäosien korjausta.	1a. Irrota ja puhdista kotelosuodattimet. 1b. Siirrä happikonsentraattori vähintään 7,5 cm:n päähän seinistä, verhoista ja huonekaluista. 2. ÄLÄ käytä jatkojohtoa. Vaihda toiseen sähköpistorasiaan tai piiriin. 3. Ota yhteyttä laitetoimittajaan.

OIRE:	TODENNÄKÖINEN SYY:	RATKAISU:
<p>KELTAINEN tai PUNAINEN valo palaa.</p> <p>Hälytys: Jatkuva Pelkkä punainen valo.</p> <p>* Koskee vain SensO₂-malleja.</p>	<p>1. Alhainen hapen puhtaus.*</p> <p>2. Mutkalla oleva tai tukkeutunut letku, kanyyli tai kostutin.*</p> <p>3. Virtausmittarin asetus 0,5 l/min tai alle.*</p> <p>4. Laite kuumenee liikaa tukkeutuneen ilmanottoa ukon takia.</p> <p>5. Pistorasiaan ei tule riittävästi virtaa.</p> <p>6. Laite vaatii sisäosien korjausta.</p>	<p>1. Puhdista tai vaihda suodattimet.</p> <p>2. Tarkista mutkien tai tukkeutumien varalta. Korjaa, puhdista tai vaihda. Kun ongelma on ratkaistu, SAMMUTA virta 60 sekunnin ajaksi ja KÄYNNISTÄ laite sitten uudelleen.</p> <p>3. Tarkista, että virtausmittarin asetus on 1,0 l/min tai yli. (Katso kohta <u>Suosituksset parhaan mahdollisen suorituskyvyn varmistamiseen</u> sivulla 161.</p> <p>4a. Irrota ja puhdista kotelosuodattimet.</p> <p>4b. Siirrä konsentraattori vähintään 7,5 cm:n päähän seinistä, verhoista ja huonekaluista.</p> <p>5. ÄLÄ käytä jatkojohtoa. Vaihda toiseen sähköpistorasiaan tai piiriin.</p> <p>6. Ota yhteyttä laitetoimittajaan.</p>
<p>VIHREÄ valo KELTAINEN valo vilkkuu.</p>	<p>1. Laite vaatii sisäosien korjausta.</p>	<p>1. Ota yhteyttä laitetoimittajaan.</p>

OIRE:	TODENNÄKÖINEN SYY:	RATKAISU:
<p>Hälytys: NOPEA</p> <p>Piip....Piip... Piip...Piip</p>	<p>Hitaan virtauksen hälytys</p> <p>Ia. Mutkalla oleva tai tukkeutunut letku, kanyyli tai kostutin.</p> <p>Ib. Virtausmittarin asetus 0,5 l/min tai alle.</p>	<p>Ia. Tarkista mutkien tai tukkeutumien varalta. Korjaa, puhdista tai vaihda. Kun ongelma on ratkaistu, SAMMUTA virta 60 sekunnin ajaksi ja KÄYNNISTÄ laite sitten uudelleen.</p> <p>Ib. Nollaa virtausmittari takaisin määrättyyn virtausnopeuteen. Alle 1 l/min virtausnopeuksia ei suositella.</p>

RAJOITETTU TAKUU

Ruotsi ja Suomi:

Invacare AB, Fagerstagatan 9, S-163 91 Spånga

Puhelin: (46) (0)8 761 70 90, Faksi: (46) (0)8 761 81 08

sweden@invacare.com

finland@invacare.com

NOTES

NOTES



Yes, you can.

Invacare Corporation

www.invacare.com

USA

One Invacare Way
Elyria, Ohio USA
44036-2125
800-333-6900
Technical Services
800-832-4707

Manufacturer:
Invacare Medical Equipment
(Suzhou) Co., Ltd.
Unit 2B, Export Processing
Zone
No. 200 Suhong Road SIP
(Suzhou Industrial Park)
Suzhou, Jiangsu, PRC
215021
Tel: 86-512-62586192
Fax: 86-512-62586072



EU Representative
Invacare EC - Hong A/S
Factory
Ostergade 3
DK - 4270 Hong
Denmark
Tel: 011-45-58852722
Fax: 011-45-58854386

All rights reserved. Trademarks are identified by [™] and [®].
All trademarks are owned by or licensed to Invacare Corporation unless otherwise noted.

© 2007 Invacare Corporation

Part No 1141493
Rev C- 4/4/07

