

# *Spare Parts Catalogue*

---

Version: 2018/03/20b NL



**rea Bellis™**



**Yes, you can.®**

## **General Information**

*For any order of spare parts the following information is required:*

- Product type*
- Product name & model*
- Serial Number*
- Part-Number*
- Part-Description*

*Exploded view drawings and code numbers are not contractual and subject to modification, in relation to Invacare® continuous product improvement policy to meet end users needs.*

*The reproduction or use of this work, or of any substantial part of this work, in any form or by any electronic, mechanical or other means, including photocopying, scanning and recording, and in any information storage and retrieval system, including electronic transmission, is forbidden without the prior written permission of Invacare® International Sarl.*



Yes, you can.®

## TABLE OF CONTENTS

---

### Frame

|   |   |
|---|---|
| (Chassis Rea Bellis) .....                      | 5 |
| (Backrest stay) .....                           | 6 |
| (Seat and backrest, assistant manoeuvred) ..... | 7 |
| (Seat and backrest, electric manoeuvred) .....  | 8 |
| (Castor attachment) .....                       | 9 |

### Zitting

|  |    |
|--|----|
| (Seat cushion, Flo-shape) .....              | 10 |
| (Seat cushion, Vicair multifunctional) ..... | 11 |
| (Incontinents cover) .....                   | 12 |

### Rugleuning

|  |    |
|--|----|
| (Backrest Flex2, fixed (->2013)) ..... | 13 |
| (Backrest Flex2, adj. (->2013)) .....  | 14 |
| (Cushions, backrest) .....             | 15 |

### Beensteunen

|                                     |    |
|-------------------------------------|----|
| (Legrest attachment, Alu2003) ..... | 17 |
| (Legrest 80° Alu2003, Fixed) .....  | 18 |
| (Legrest 90° Alu2003, Fixed) .....  | 19 |
| (Amputee legrest) .....             | 20 |
| (Legrest AA, ALU2008) .....         | 21 |

### Voetplaten

|                                       |    |
|---------------------------------------|----|
| (Footrest, Alu2003, Bellis 150) ..... | 22 |
| (Footrest, fixed, Alu2003) .....      | 23 |
| (Footrest 90°, Alu2003) .....         | 24 |
| (Footrest, AA, "Alu2003") .....       | 25 |
| (Central footrest) .....              | 27 |
| (Heel strap) .....                    | 28 |
| (Calf strap, Alu2003 legrest) .....   | 29 |
| (Extender, footplate) .....           | 30 |

### Armleuningen

|                                    |    |
|------------------------------------|----|
| (Armrest, height adj.) .....       | 31 |
| (Armrest "NICE", narrow pad) ..... | 32 |
| (Armrest "NICE", wide pad) .....   | 33 |
| (Armrest, hemiplegic) .....        | 34 |
| (Armrest attachment) .....         | 35 |

### Voorwielen

|                       |    |
|-----------------------|----|
| (Castor wheels) ..... | 36 |
|-----------------------|----|

### Achterwielen

|                         |    |
|-------------------------|----|
| (Wheel 16") .....       | 37 |
| (Wheel 24"-22-20) ..... | 38 |



Yes, you can.®

## TABLE OF CONTENTS

---

|   |    |
|---|----|
| (Kit Handrim 24" Stainless 4 Fixations) ..... | 40 |
| (Wheel 24"-22" DB) .....                      | 41 |
| (Kit Handrim 24" Stainless 4 Fixations) ..... | 40 |

### Remmen

|   |    |
|---|----|
| (Brake) .....                           | 43 |
| (One arm brake) .....                   | 44 |
| (Drumbrake, assistant manoeuvred) ..... | 45 |

### Veiligheidsopties

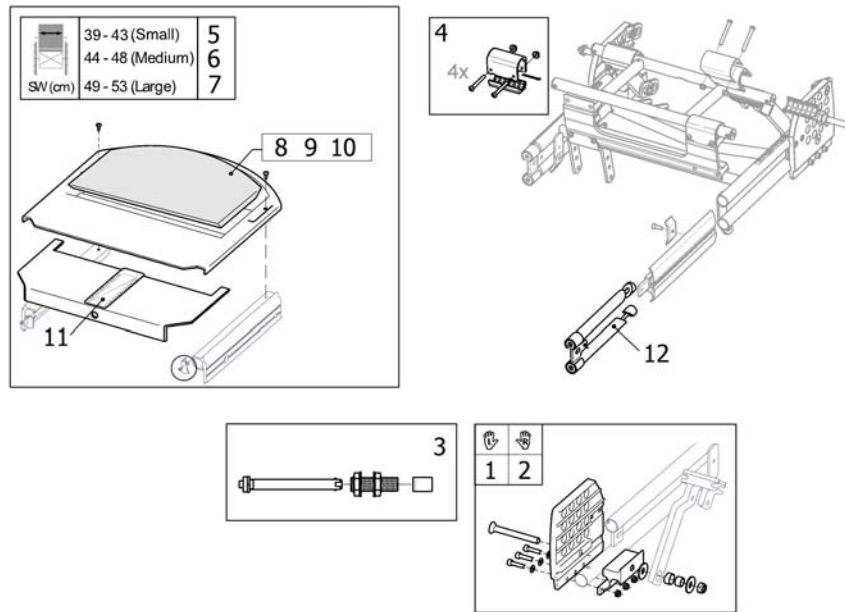
|                         |    |
|-------------------------|----|
| (Anti-tip device) ..... | 46 |
| (Reflector) .....       | 47 |
| (Pelvic belt) .....     | 48 |

### Zitopties

|                               |    |
|-------------------------------|----|
| (Headrest) .....              | 49 |
| (Neckrest) .....              | 50 |
| (Cheek support) .....         | 51 |
| (Pommel) .....                | 52 |
| (Curvature cushion) .....     | 53 |
| (Trunk supports, Flex2) ..... | 54 |

### Accessoires

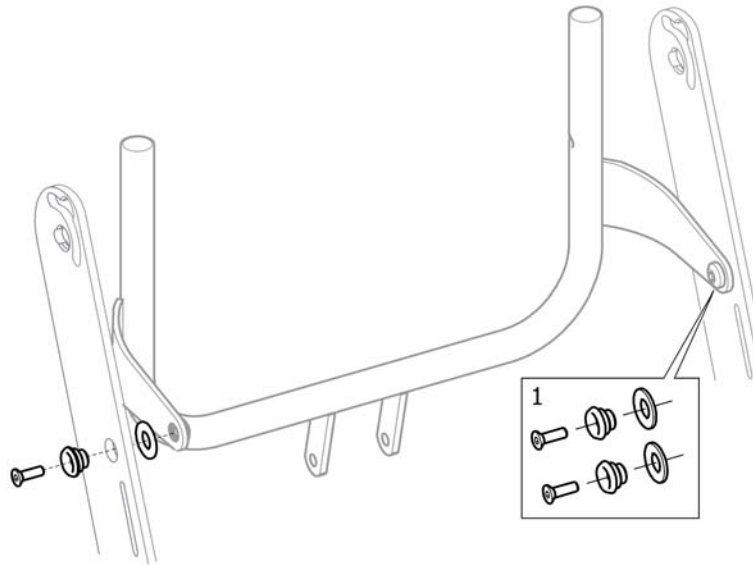
|  |    |
|--|----|
| (Table tray) .....                     | 55 |
| (Push bar, Flex2) .....                | 56 |
| (Push handles, connected, Flex2) ..... | 57 |
| (Pump) .....                           | 58 |
| (Crutch holder, Flex2 backrest) .....  | 59 |



SP525222013

|    |                |   |   |
|----|----------------|---|---|
| 1  | 5255224-C04    | Bellis achterw.bev.plaat li ps                  | 1 |
| 2  | 5255223-C04    | Bellis achterw.bev.plaat re ps                  | 1 |
| 3  | 5255308        | \$ellis asbehuizing cpl                         | 1 |
| 4  | 1508121        | (Kit, brackets, chassi, Bellis)                 | 1 |
| 5  | 5255332        | \$ellis zitpl.verstelbaar zb41                  | 1 |
| 6  | 5255333        | \$ellis zitpl.verstelbaar zb46                  | 1 |
| 7  | 5255334        | \$ellis zitpl.verstelbaar zb51                  | 1 |
| 8  | 1439790        | \$ea zitplaat inlegkussen zb41 ps               | 1 |
| 9  | 1439791        | \$ea zitplaat inlegkussen zb46 ps               | 1 |
| 10 | 1439792        | \$ea zitplaat inlegkussen zb51 ps               | 1 |
| 11 | 5254205        | \$ellis zitpl.klittenband tbv.diepte-instelling | 1 |
| 12 | 5255222-C9005M | \$ellis zitdiepte verst. cpl                    | 1 |

Rea® Bellis | Frame  
**(Backrest stay)**



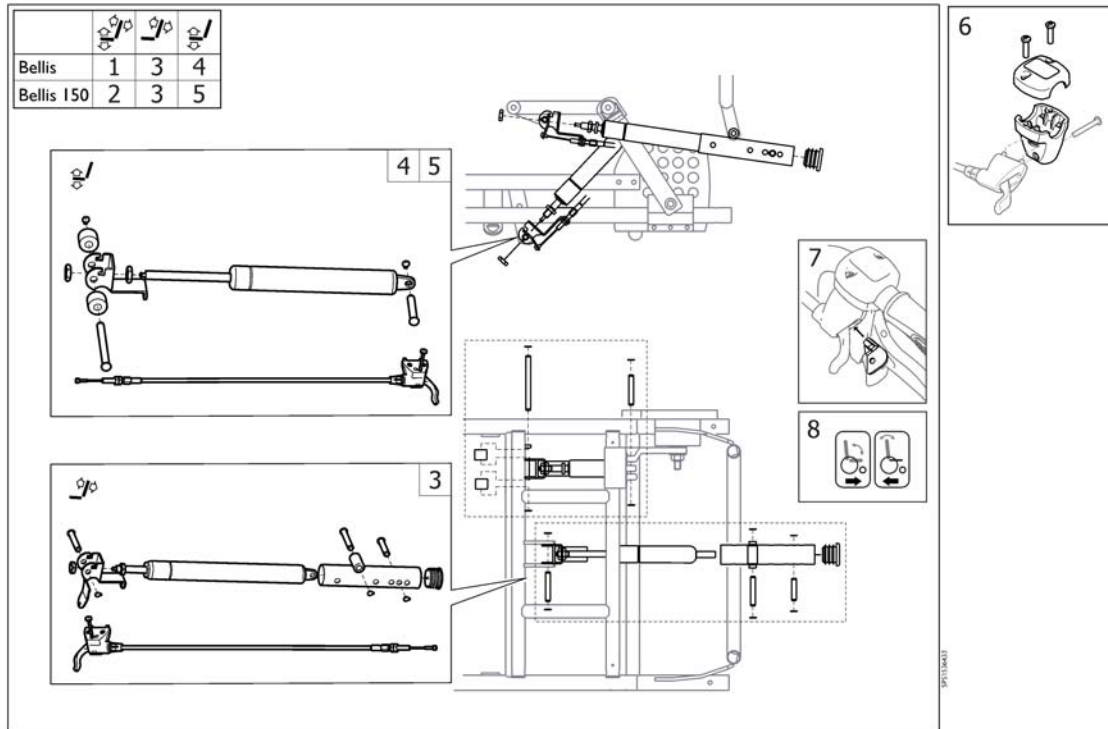
SPS/44607

1 1420140

(Screw Kit, Backrest Stay)

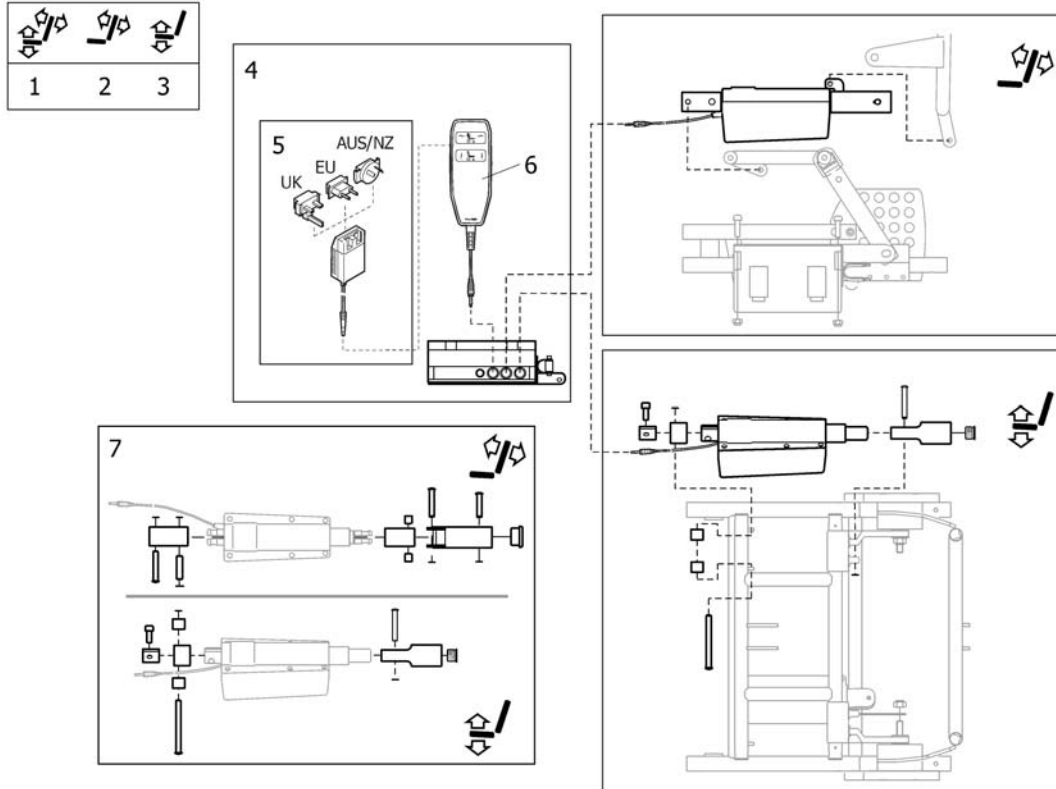
1

# (Seat and backrest, assistant manoevered)



|   |         |  |   |
|---|---------|--|---|
| 1 | 1536430 | (ASS. OPER. SEAT+BACKREST CPL, DRUM BRAKE)       | 1 |
| 2 | 1536432 | (ASS. OPER. SEAT+BACKREST CPL, DRUM BRAKE)       | 1 |
| 3 | 1536433 | (MANOUEVERING KIT BACKREST CPL)                  | 1 |
| 4 | 1536434 | (MANOUEVERING KIT SEAT CPL)                      | 1 |
| 5 | 1536435 | (MANOUEVERING KIT SEAT CPL)                      | 1 |
| 6 | 1527287 | Rea verstellings huis ex kabel/hendel/sticker ps | 1 |
| 7 | 1527435 | Azalea rugkantelement vergrendeling ps           | 1 |
| 8 | 1536373 | (DECAL, CABLE ASSEMBLY, TILT)                    | 1 |

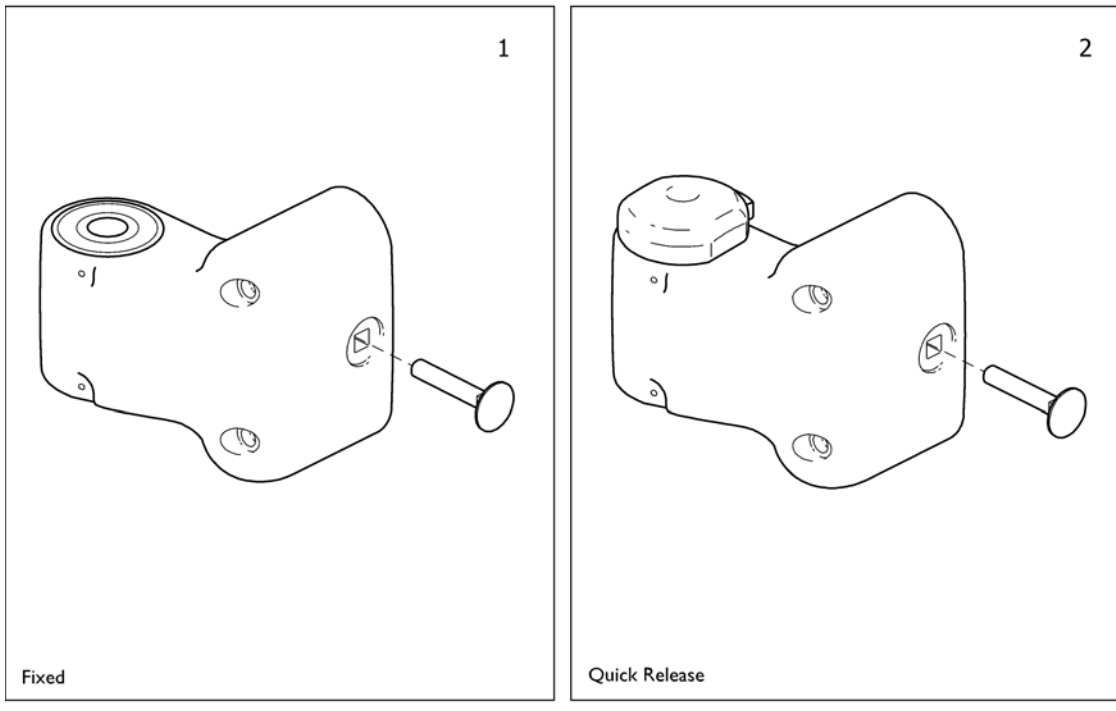
**(Seat and backrest, electric manoeuvred)**



|   |           |  |   |
|---|-----------|--|---|
| 1 | 1448691   | \$ellis kantel-/rugverst. elektrisch >0105           | 1 |
| 2 | 1448690   | (Kit el-tilt, Backrest, Bellis)                      | 1 |
| 3 | 5255274   | \$ellis kantelverst.elek. cpl                        | 1 |
| 4 | 5255276   | (BATTERY KIT CPL,BELLIS)                             | 1 |
| 5 | SP1571940 | Azalea lader tbv el. kantel                          | 1 |
| 6 | 5738673   | Rea kantel-/rugverst. elek.handbed.ps.Ass/Comf       | 1 |
| 7 | 1514649   | (ATTACHMENT KIT, EL. MAN. SEAT AND BACKREST, BELLIS) | 1 |



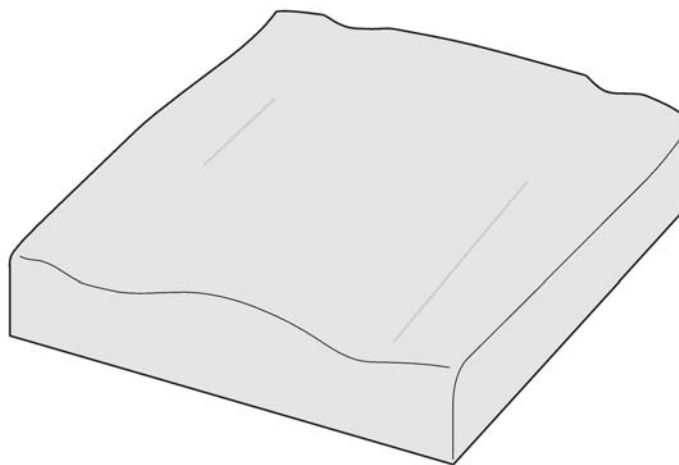
**(Castor attachment)**



|   |         |                                     |   |
|---|---------|-------------------------------------|---|
| 1 | 5254308 | Assist voorwiel lagerhuis vast cpl. | 1 |
| 2 | 5254253 | Assist voorw.lagerh. qr. re.cpl     | 1 |
| 2 | 5254254 | Assist voorw.lagerh. qr. li.cpl     | 1 |

# (Seat cushion, Flo-shape)

| SW (mm)         | TR26 | TR35 | TR36 |
|-----------------|------|------|------|
| <b>Azalea</b>   |      |      |      |
| 340             | 1    | 2    | 3    |
| 390             | 4    | 5    | 6    |
| 390 +50         | 4    | 5    | 6    |
| 390 +100        | 7    | 8    | 9    |
| 440             | 7    | 8    | 9    |
| 440 +50         | 7    | 8    | 9    |
| 440 +100        | 10   | 11   | 12   |
| 490             | 10   | 11   | 12   |
| 490 +50         | 10   | 11   | 12   |
| 490 +100        | 10   | 11   | 12   |
| <b>Bellis</b>   |      |      |      |
| Small 410       | 4    | 5    |      |
| Medium 460      | 7    | 8    |      |
| Large 510       | 10   | 11   |      |
| <b>Clematis</b> |      |      |      |
| 390             | 13   | 14   |      |
| 440             | 4    | 5    |      |
| 490             | 7    | 8    |      |
| <b>Dahlia</b>   |      |      |      |
| 390             | 4    | 5    | 6    |
| 390 +50         | 4    | 5    | 6    |
| 390 +100        | 7    | 8    | 9    |
| 440             | 7    | 8    | 9    |
| 440 +50         | 7    | 8    | 9    |
| 440 +100        | 10   | 11   | 12   |
| 490             | 10   | 11   | 12   |
| 490 +50         | 10   | 11   | 12   |
| 490 +100        | 10   | 11   | 12   |




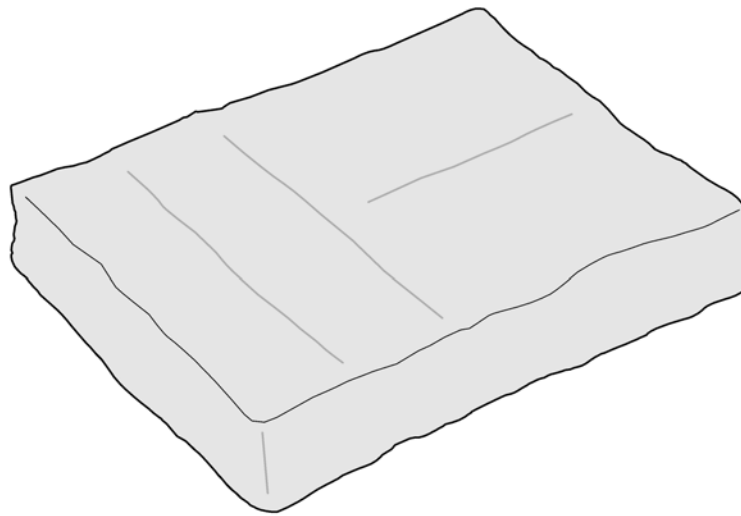
|      | Färg         | Colour       | Farbe          | Couleur      |
|------|--------------|--------------|----------------|--------------|
| TR26 | dartex svart | dartex black | dartex schwarz | dartex noir  |
| TR35 | plysch svart | plysch black | plüsch schwarz | velours noir |
| TR36 | spacer svart | spacer black | spacer schwarz | spacer noir  |

© 2018/03/20b NL

|    |                |   |   |
|----|----------------|---|---|
| 1  | 1509920-TR26   | (SEATCUSHION, FLOSHAPE, 355X450, DARTEX BLACK)  | 1 |
| 2  | 1509920-TR35   | (SEATCUSHION, FLOSHAPE, 355X450, PLUSH BLACK)   | 1 |
| 3  | SP1509920-TR36 | (SEAT CUSHION, FLOSHAPE, 355X450, SPACER BLACK) | 1 |
| 4  | 1508055-TR26   | (SEAT CUSHION 405X535, FLOSHAPE, DARTEX BLACK)  | 1 |
| 5  | 1508055-TR35   | (SEAT CUSHION 405X535, FLOSHAPE, PLUSH BLACK)   | 1 |
| 6  | SP1508055-TR36 | (SEAT CUSHION, FLOSHAPE, 405X535, SPACER BLACK) | 1 |
| 7  | 1508057-TR26   | (SEAT CUSHION 455X535, FLOSHAPE, DARTEX BLACK)  | 1 |
| 8  | 1508057-TR35   | (SEAT CUSHION 455X535, FLOSHAPE, PLUSH BLACK)   | 1 |
| 9  | SP1508057-TR36 | (SEAT CUSHION, FLOSHAPE, 455X535, SPACER BLACK) | 1 |
| 10 | 1508059-TR26   | (Seat Cushion 505x535 - Dartex black (TR26))    | 1 |
| 11 | 1508059-TR35   | (SEAT CUSHION 505X535, FLOSHAPE, PLUSH BLACK)   | 1 |
| 12 | SP1508059-TR36 | (SEAT CUSHION, FLOSHAPE, 505X535, SPACER BLACK) | 1 |
| 13 | 1508053-TR26   | (SEATCUSHION, FLOSHAPE, 355X535, DARTEX BLACK)  | 1 |
| 14 | 1508053-TR35   | (SEATCUSHION, FLOSHAPE, 355x535, PLUSH BLACK)   | 1 |

**(Seat cushion, Vicair multifunctional)**

|  |  |   |
|--|--|---|
| <br>SW (mm) |  |   |
| <b>Azalea</b>  |  |   |
| 390  |  | 1 |
| 390 +50  |  | 2 |
| 390 +100   |  | 3 |
| 440  |  | 2 |
| 440 +50  |  | 3 |
| 440 +100   |  | 4 |
| 490  |  | 3 |
| 490 +50  |  | 4 |
| 490 +100   |  | 4 |
| <b>Bellis</b>  |  |   |
| Small 410  |  | 2 |
| Medium 460   |  | 3 |
| Large 510  |  | 4 |
| <b>Dahlia</b>  |  |   |
| 390  |  | 1 |
| 390 +50  |  | 2 |
| 390 +100   |  | 3 |
| 440  |  | 2 |
| 440 +50  |  | 3 |
| 440 +100   |  | 4 |
| 490  |  | 3 |
| 490 +50  |  | 4 |
| 490 +100   |  | 4 |

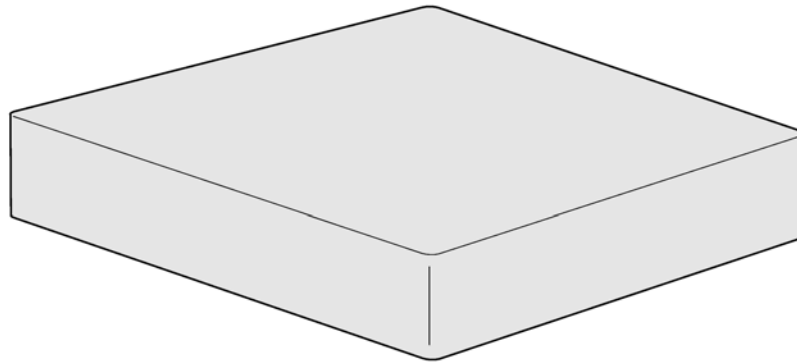


9251497347

|   |         |  |   |
|---|---------|--|---|
| 1 | 1497347 | (SEAT CUSHION 370X520X110, MULTI-FUNCTIONAL) | 1 |
| 2 | 1497348 | (SEAT CUSHION 400X520X110, MULTI-FUNCTIONAL) | 1 |
| 3 | 1497349 | (SEAT CUSHION 450X520X110, MULTI-FUNCTIONAL) | 1 |
| 4 | 1497387 | (SEAT CUSHION 500X520X110, MULTI-FUNCTIONAL) | 1 |

# (Incontinents cover)

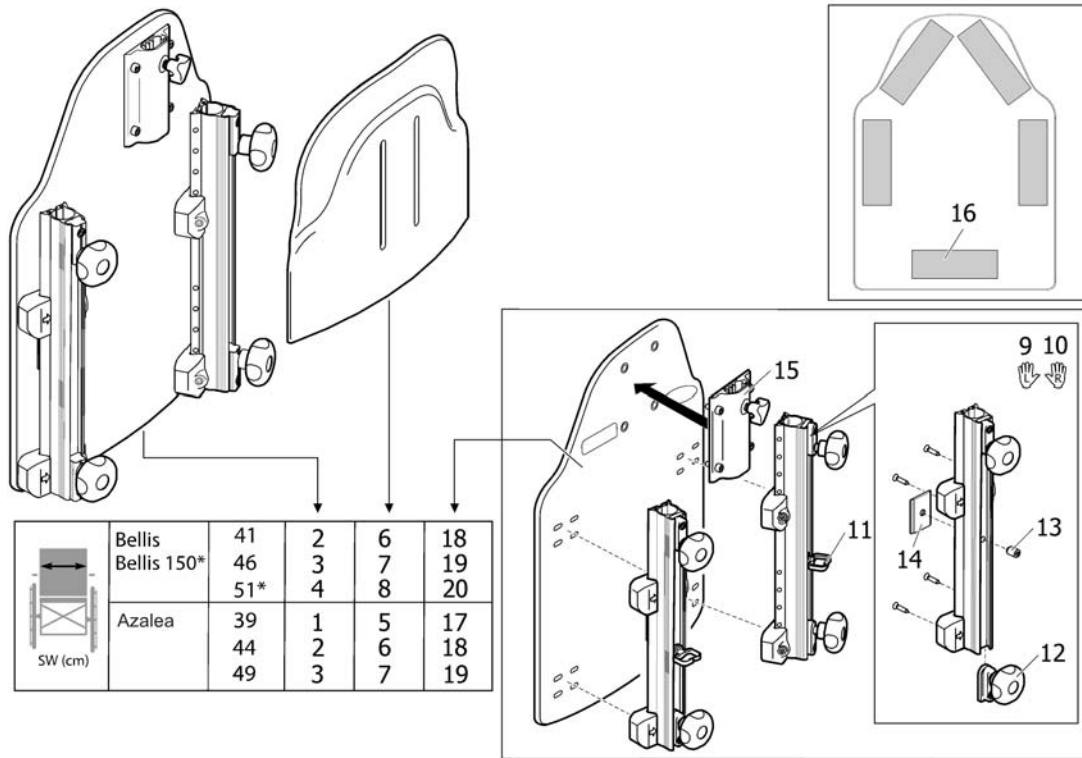
| SW (mm)       |  |   |
|---------------|--|---|
| <b>Azalea</b> |  |   |
| 340           |  | 1 |
| 390           |  | 2 |
| 390 +50       |  | 3 |
| 390 +100      |  | 4 |
| 440           |  | 3 |
| 440 +50       |  | 4 |
| 440 +100      |  | 4 |
| 490           |  | 4 |
| 490 +50       |  | 4 |
| 490 +100      |  | 4 |
| <b>Bellis</b> |  |   |
| Small 410     |  | 2 |
| Medium 460    |  | 3 |
| Large 510     |  | 4 |
| <b>Dahlia</b> |  |   |
| 390           |  | 2 |
| 390 +50       |  | 3 |
| 390 +100      |  | 4 |
| 440           |  | 3 |
| 440 +50       |  | 4 |
| 440 +100      |  | 4 |
| 490           |  | 4 |
| 490 +50       |  | 4 |
| 490 +100      |  | 4 |



SPR1503/078

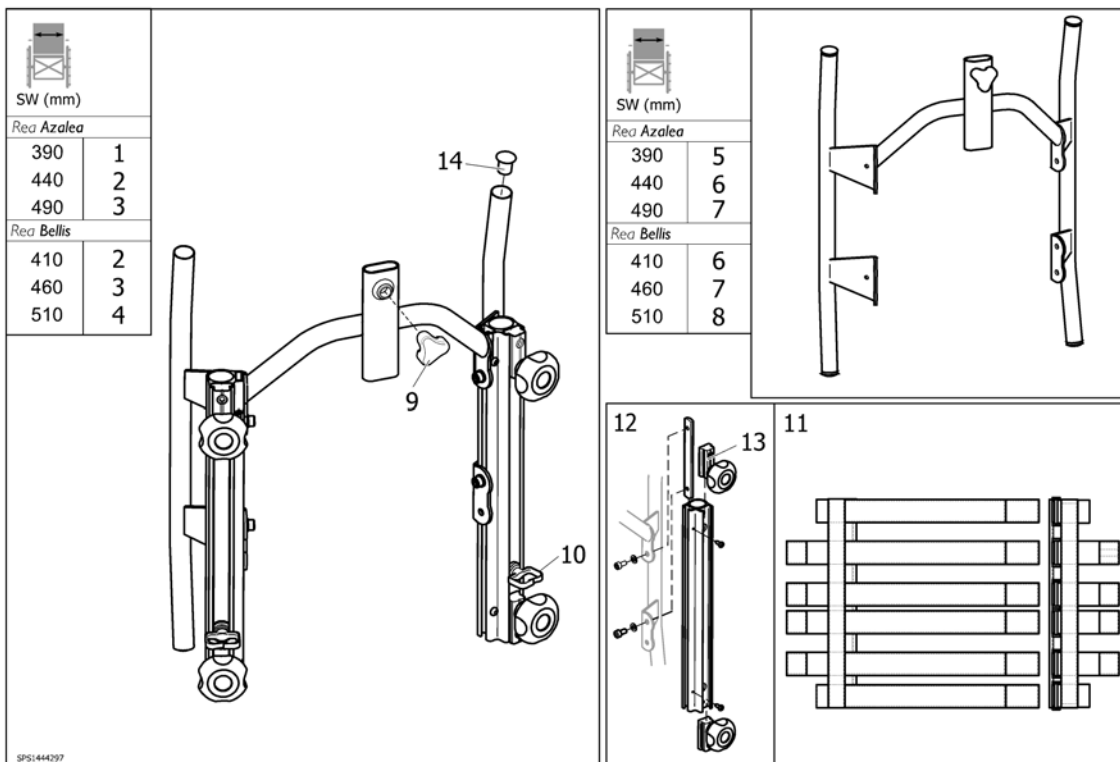
|   |              |                                     |   |
|---|--------------|-------------------------------------|---|
| 1 | 1510636      | (INCONTINENCE COVER 330X450, BLACK) | 1 |
| 2 | 5253078-TR26 | (INCONTINENCE COVER 380X500, BLACK) | 1 |
| 3 | 5253079-TR26 | (INCONTINENCE COVER 430X500, BLACK) | 1 |
| 4 | 5253080-TR26 | (INCONTINENCE COVER 480X500, BLACK) | 1 |
| 5 | 5253617-TR26 | (INCONTINENCE COVER 530X500, BLACK) | 1 |
| 6 | 1526617      | (INCONTINENCE COVER 550X635, BLACK) | 1 |
| 7 | 1526616      | (INCONTINENCE COVER 610X635, BLACK) | 1 |

# (Backrest Flex2, fixed (->2013))



|    |         |  |   |
|----|---------|--|---|
| 1  | 1440151 | Rea rug flex2 zb36 cpl ex.kussen Ass/Bel/com   | 1 |
| 2  | 1440152 | \$ea rug flex2 zb41 cpl. ex.kussen Ass/Bel/Com | 1 |
| 3  | 1440153 | Rea rug flex2 zb45-49 cpl.ex.kussen as/Bel/com | 1 |
| 4  | 1440154 | \$ea rug flex2 zb51 cpl ex.kussen Ass/Bel/Com  | 1 |
| 5  | 1440147 | (EXTENDER 355X290 CPL, BACKREST FLEX 2)        | 1 |
| 6  | 1440148 | \$ea rugverl.flex2 zb40- 44 ps.Ass/Bel/Comf    | 1 |
| 7  | 1440149 | Rea rugverl.flex2 zb45- 49 ps.Ass/Bel/Comf     | 1 |
| 8  | 1440150 | \$ea rugverl.flex2 zb51 ps.Ass/Bel/Comf        | 1 |
| 9  | 1446009 | Bellis rug flex 2 bev. rail li                 | 1 |
| 10 | 1446008 | Bellis rug flex 2 bev. rail re                 | 1 |
| 11 | 1508131 | (Wire holder)                                  | 1 |
| 12 | 5253088 | Rea rug rail bev.knop compl.ps.Ass/Comf        | 1 |
| 13 | 5723904 | \$ea schroef mf6s m6x8 ps                      | 1 |
| 14 | 1446015 | (Stop, backrest rail)                          | 1 |
| 15 | 1446010 | Rea nekst.bev.tbv.rug flex 2 ps                | 1 |
| 16 | 5254139 | (Velcro hook 150mm)                            | 1 |
| 17 | 1507942 | (BACKREST PLATE 355X485, WITH VELCRO)          | 1 |
| 18 | 1507943 | (BACKREST PLATE 405X485, WITH VELCRO)          | 1 |
| 19 | 1507944 | (BACKREST PLATE 455X485, WITH VELCRO)          | 1 |
| 20 | 1507945 | (BACKREST PLATE 505X485, WITH VELCRO)          | 1 |

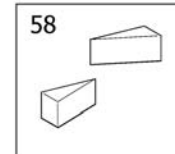
**(Backrest Flex2, adj. (->2013))**



|    |              |  |   |
|----|--------------|--|---|
| 1  | SP1445697    | (Backrest 292 cpl, tension adj.)                 | 1 |
| 2  | 1445698      | Bellis rug nasp.zb41+ rugfix+rugb.cpl            | 1 |
| 3  | 1445699      | \$ea rug nasp.zb46+rugb+ rugfix.cpl.Ass/Bel/Comf | 1 |
| 4  | 1445700      | \$ea rug nasp.zb49+rugb+ rugfix.cpl.Ass/Bel/Comf | 1 |
| 5  | 1445844-0509 | (BACKREST FRAME 292 CPL.)                        | 1 |
| 6  | 1445845-0509 | Bellis rugframe zb41                             | 1 |
| 7  | 1445846-0509 | \$ellis rugframe zb46                            | 1 |
| 8  | 1445847-0509 | (BACKREST FRAME 442 CPL.)                        | 1 |
| 9  | 1444175      | Bellis rugframe wartel flex 2 ps                 | 1 |
| 10 | 1508131      | (Wire holder)                                    | 1 |
| 11 | 1445694      | Rea rug nasp.deel alle zb.ps.Ass/Bel/Comf        | 1 |
| 12 | 1445848      | Rea rug flex bev.rails cpl.ps                    | 1 |
| 13 | 5253088      | Rea rug rail bev.knop compl.ps.Ass/Comf          | 1 |
| 14 | 5716478      | \$ea beenst./handwiel afdekkap ps Ass/Bel/Comf   | 1 |

2014-04-01→

| SW      | Mistral 2    |        | Laguna       |       | Passad 2       |         | Shoulder high | Multi Functional | Lateral |      |
|---------|--------------|--------|--------------|-------|----------------|---------|---------------|------------------|---------|------|
|         | TR26         | TR35   | TR26         | TR35  | TR26           | TR35    | TR26          | TR23             | TR26    | TR35 |
| 410 (S) | 1            | 2      | 7            | 8     | 13             | 14      | 19            | 22               | 25      | 26   |
| 460 (M) | 3            | 4      | 9            | 10    | 15             | 16      | 20            | 23               | 27      | 28   |
| 510 (L) | 5            | 6      | 11           | 12    | 17             | 18      | 21            | 24               | 29      | 30   |
| Färg    |              | Colour |              | Farbe |                | Couleur |               |                  |         |      |
| TR26    | dartex svart |        | dartex black |       | dartex schwarz |         | dartex noir   |                  |         |      |
| TR35    | plysch svart |        | plysch black |       | plüsch schwarz |         | velours noir  |                  |         |      |



→ 2014-04-01

| SW      | Mistral 2        |        | Laguna           |       | Passad 2          |         | Shoulder high      | Multi Functional | Lateral |      |
|---------|------------------|--------|------------------|-------|-------------------|---------|--------------------|------------------|---------|------|
|         | TR23             | TR32   | TR23             | TR32  | TR23              | TR32    | TR23               | TR23             | TR23    | TR32 |
| 410 (S) | 31               | 32     | 37               | 38    | 43                | 44      | 49                 | 22               | 52      | 53   |
| 460 (M) | 33               | 34     | 39               | 40    | 45                | 46      | 50                 | 23               | 54      | 55   |
| 510 (L) | 35               | 36     | 41               | 42    | 47                | 48      | 51                 | 24               | 56      | 57   |
| Färg    |                  | Colour |                  | Farbe |                   | Couleur |                    |                  |         |      |
| TR23    | dartex grå       |        | dartex grey      |       | Dartex grau       |         | dartex gris        |                  |         |      |
| TR32    | plysch grå PRIMA |        | plush grey PRIMA |       | Plüsch grau PRIMA |         | velours gris PRIMA |                  |         |      |

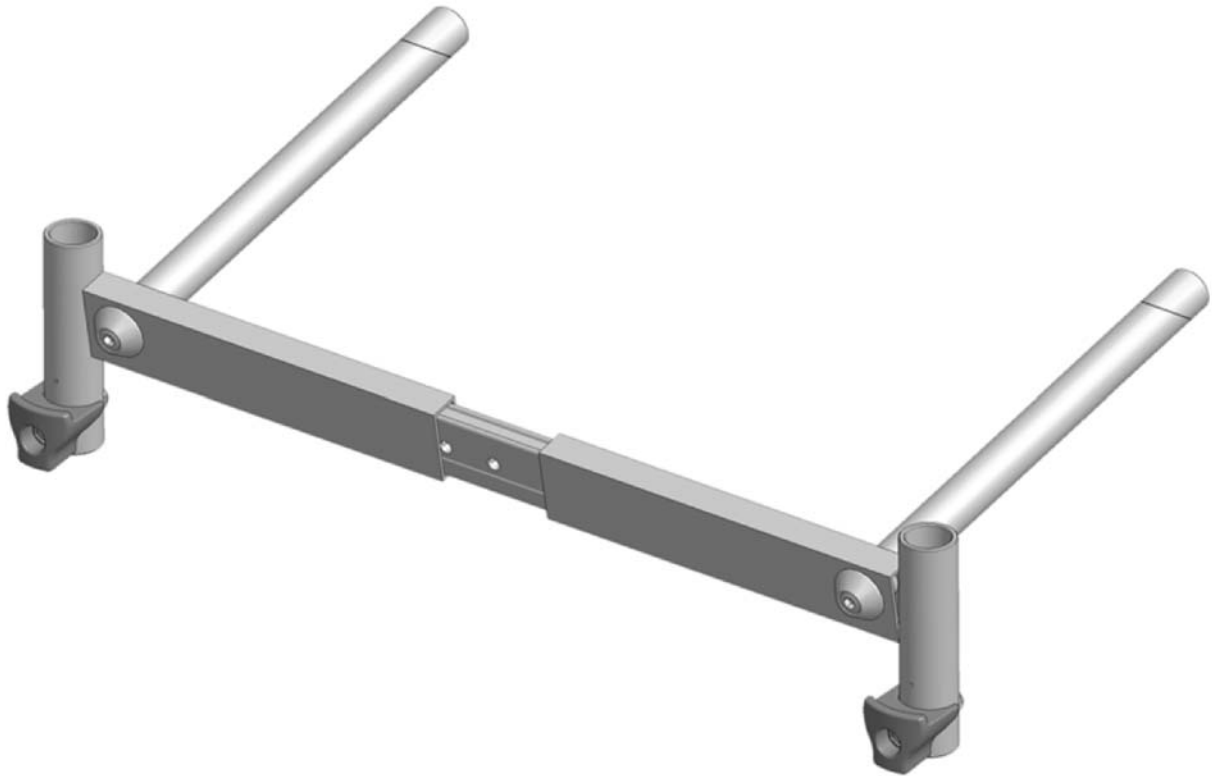
44001510

|    |                |   |   |
|----|----------------|---|---|
| 1  | SP1424651-TR26 | (CUSHION, BACKREST MISTRAL2 405X510, DARTEX BLACK)        | 1 |
| 2  | SP1424651-TR35 | (CUSHION, BACKREST MISTRAL2 405X510, PLUSH BLACK)         | 1 |
| 3  | SP1424652-TR26 | (CUSHION, BACKREST MISTRAL2 455X510, DARTEX BLACK)        | 1 |
| 4  | SP1424652-TR35 | (CUSHION, BACKREST MISTRAL2 455X510, PLUSH BLACK)         | 1 |
| 5  | SP1424653-TR26 | (CUSHION, BACKREST MISTRAL2 505X510, DARTEX BLACK)        | 1 |
| 6  | SP1424653-TR35 | (CUSHION, BACKREST MISTRAL2 505X510, PLUSH BLACK)         | 1 |
| 7  | SP1427119-TR26 | (Backrest Cushion Laguna, 402x550mm, Dartex black (TR26)) | 1 |
| 8  | SP1427119-TR35 | (BACKREST CUSHION 402X550, LAGUNA, PLUSH BLACK)           | 1 |
| 9  | SP1427120-TR26 | (Backrest Cushion Laguna, 452x550mm, Dartex black (TR26)) | 1 |
| 10 | SP1427120-TR35 | (BACKREST CUSHION 452X550, LAGUNA, PLUSH BLACK)           | 1 |
| 11 | SP1427121-TR26 | (Backrest Cushion Laguna, 492x550mm, Dartex black (TR26)) | 1 |
| 12 | SP1427121-TR35 | (BACKREST CUSHION 492X550, LAGUNA, PLUSH BLACK)           | 1 |
| 13 | SP1429271-TR26 | (BACKREST CUSHION 440X550, PASSAD2, DARTEX BLACK)         | 1 |
| 14 | SP1429271-TR35 | (BACKREST CUSHION 440X550, PASSAD2, PLUSH BLACK)          | 1 |
| 15 | SP1424647-TR26 | Rea rugk.Passad2 470-550 zwart dartex Dahlia/Azal         | 1 |
| 16 | SP1424647-TR35 | (BACKREST CUSHION 470X550, PASSAD2, PLUSH BLACK)          | 1 |
| 17 | SP1424649-TR26 | Rea rugk.Passad2 520-550 zwart dartex Dahlia/Azal         | 1 |
| 18 | SP1424649-TR35 | (BACKREST CUSHION 520X550, PASSAD2, PLUSH BLACK)          | 1 |
| 19 | SP1444276-TR26 | (BACKREST CUSHION 470X650, SHOULDER HIGH, DARTEX BLACK)   | 1 |
| 20 | SP1444277-TR26 | (BACKREST CUSHION 520X650, SHOULDER HIGH, DARTEX BLACK)   | 1 |
| 21 | SP1444278-TR26 | (BACKREST CUSHION 580X650, SHOULDER HIGH, DARTEX BLACK)   | 1 |
| 22 | 1445741        | (BACKREST CUSHION 400X540, VICAIR MF, DARTEX GREY)        | 1 |
| 23 | 1445742        | (BACKREST CUSHION 450X540, VICAIR MF, DARTEX GREY)        | 1 |
| 24 | 1445743        | (BACKREST CUSHION 500X540, VICAIR MF, DARTEX GREY)        | 1 |
| 25 | SP1589929-TR26 | (COVER LATERAL 475X540 DARTEX BLACK)                      | 1 |
| 26 | SP1589929-TR35 | (COVER LATERAL 475X540 PLUSH BLACK)                       | 1 |
| 27 | SP1589930-TR26 | (COVER LATERAL 525X540 DARTEX BLACK)                      | 1 |
| 28 | SP1589930-TR35 | (COVER LATERAL 525X540 PLUSH BLACK)                       | 1 |
| 29 | SP1589941-TR26 | (COVER LATERAL 575X540 DARTEX BLACK)                      | 1 |
| 30 | SP1589941-TR35 | (COVER LATERAL 575X540 PLUSH BLACK)                       | 1 |
| 31 | 1424651        | Bellis rugkussen zb41 Mistral II grijs dartex             | 1 |

**(Cushions, backrest)**

|    |           |  |   |
|----|-----------|--|---|
| 32 | 1435404   | \$ocus rug Mistral zb40,5 grijs velours ps         | 1 |
| 33 | 1424652   | Bellis rugkussen zb46 Mistral II grijs dartex      | 1 |
| 34 | 1435405   | (Cushion, Backrest Mistral2 455X510, Plush Grey)   | 1 |
| 35 | 1424653   | Bellis rugkussen zb51 Mistral II grijs dartex      | 1 |
| 36 | 1435406   | (Cushion, Backrest Mistral2 505X510, Plush Grey)   | 1 |
| 37 | 1427119   | Rea rugk.ZB39 Laguna grijs dartex ps               | 1 |
| 38 | 1435798   | Rea rugk.zb41 Laguna gri js prima Foc/Bel/Comf     | 1 |
| 39 | 1427120   | Rea rugk.zb44-46 Laguna grijs datr.Ass/Bel/Comf    | 1 |
| 40 | 1444340   | Rea rugk.laguna 45x55 grijs plush Ass/Bel/Comf     | 1 |
| 41 | 1427121   | Rea rugk.zb49-51 Laguna grijs dart.Ass/Bel/Comf    | 1 |
| 42 | 1444341   | Rea rugk.laguna 49x55 grijs plush Ass/Bel/Comf     | 1 |
| 43 | 1424647   | \$SSIST RUGKUSSEN ZB41 PA SSAD2 GRIJS DARTEX       | 1 |
| 44 | 1444329   | \$ea rugk.passad2 47x55 grijs plush Ass/Bel/Comf   | 1 |
| 45 | 1424649   | Assist rugkussen zb46 pa ssad2 grijs dartex        | 1 |
| 46 | 1444330   | \$ea rugk.passad2 52x55 grijs plush Ass/Bel/Comf   | 1 |
| 47 | 1429278   | Rea rugk.Passad2 zb51 grijs dartex                 | 1 |
| 48 | 1444331   | \$ea rugk.passad2 58x55 grijs plush Ass/Bel/Comf   | 1 |
| 49 | 1444276   | \$ea rugk.p2 schouders ho og 47x65 dart.As/Bel/com | 1 |
| 50 | 1444277   | \$ea rugk.p2 schouders ho og 52x65 dart.As/Bel/com | 1 |
| 51 | 1444278   | Rea rugk.p2 schouders ho og 58x65 dart.As/Bel/com  | 1 |
| 52 | 1508866   | (Backrest Cover 500x460mm - Dartex grey (TR23))    | 1 |
| 53 | 1444345   | Rea rugk.tbv.rug nasp. 47x50 plush Ass/Bel/Comf    | 1 |
| 54 | 1508867   | (Backrest Cover 550x460mm - Dartex grey (TR23))    | 1 |
| 55 | 1444346   | Rea rugk.tbv.rug nasp. 52x50 plush Ass/Bel/Comf    | 1 |
| 56 | 1508868   | (Cover, Lateral 600X460, Dartex Grey)              | 1 |
| 57 | 1444347   | \$ea rugk.tbv.rug nasp. 57x50 plush Ass/Bel/Comf   | 1 |
| 58 | SP1513037 | Rea wig pp   | 1 |





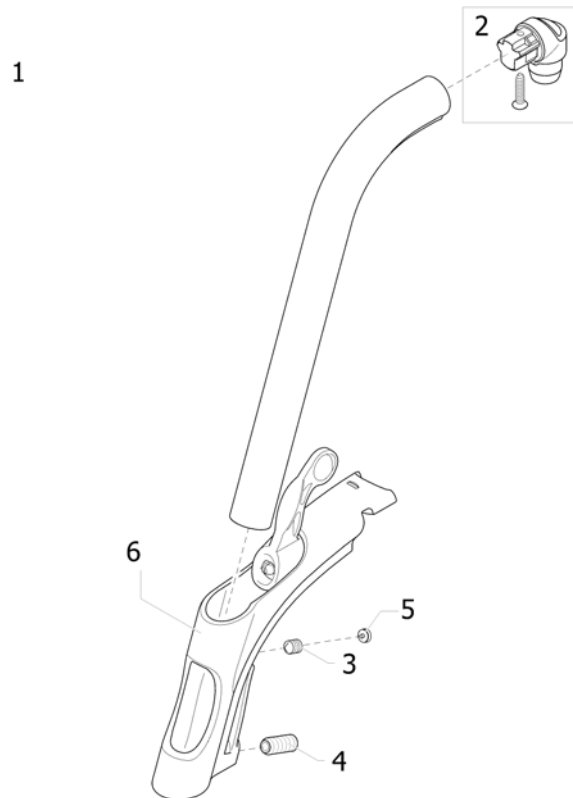
---

1429269-0509

Bellis beenst.oph.alu.cp I

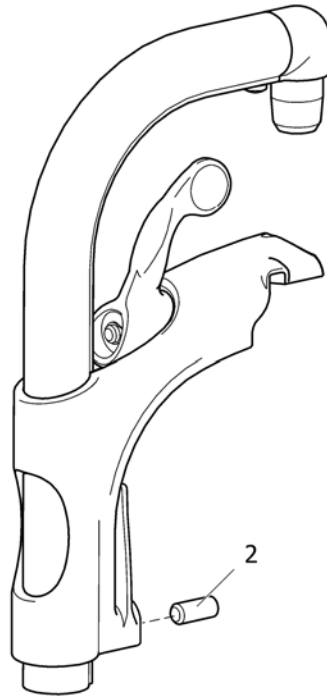
1

**(Legrest 80° Alu2003, Fixed)**



|   |              |  |   |
|---|--------------|--|---|
| 1 | 1493055-0509 | Beenst.bovendl.80° nw ps A3/Ass/Bel/Comf/Focus | 1 |
| 2 | 1430426      | Beenst.vast prop A3/Foc ps                     | 1 |
| 3 | 1424572      | Rea schroef m10x12 ps                          | 1 |
| 4 | 1424571      | BEENST.BO VENDL.VAST SCHROEF M10x23 A3/FOC PS  | 1 |
| 5 | 1435741      | (Plug lkpt 8-5,5 S)                            | 1 |
| 6 | 1434362      | Beenst.ontgr.deel 80gr. ps Rea/Poirier         | 1 |

1



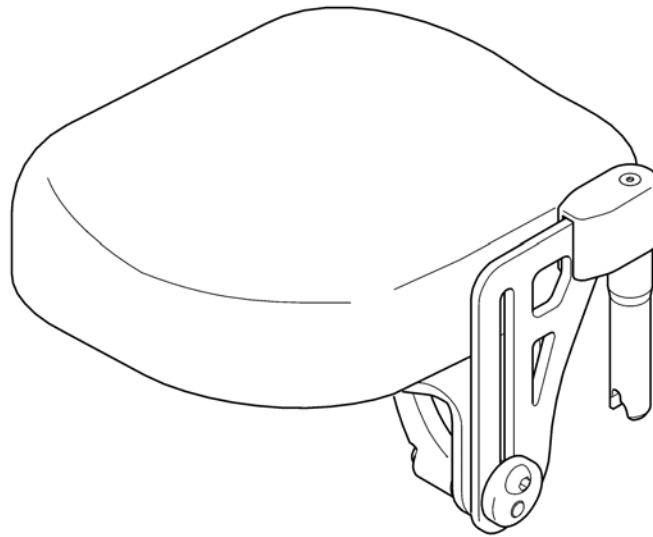
SPS1403056

---

|   |              |   |   |
|---|--------------|---|---|
| 1 | 1493056-0509 | Beenst.bovendl.90° nw ps zwart A3/Ass/Bel/Com/Foc | 1 |
| 2 | 1424571      | BEE NST.BOVENDL.VAST SCHROEF M10x23 A3/FOC PS     | 1 |

# (Amputee legrest)




1 2  

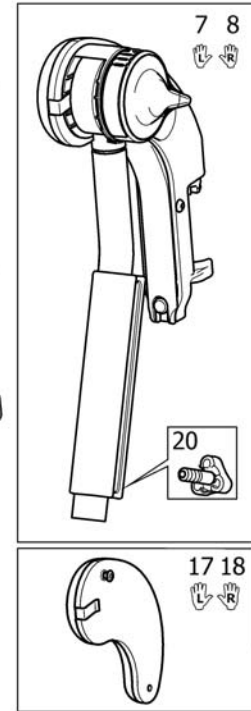
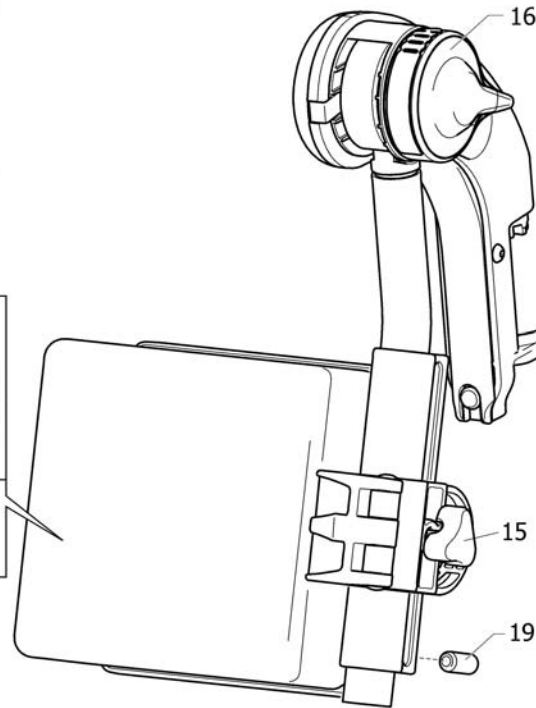
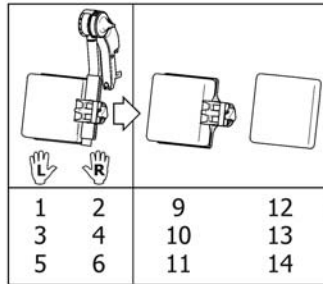



062411526

---

|   |         |                          |   |
|---|---------|--------------------------|---|
| 1 | 1442991 | Amp.st.li cpl A3/Spx/Bel | 1 |
| 2 | 1442990 | Amp.st re cpl A3/Spx/Bel | 1 |

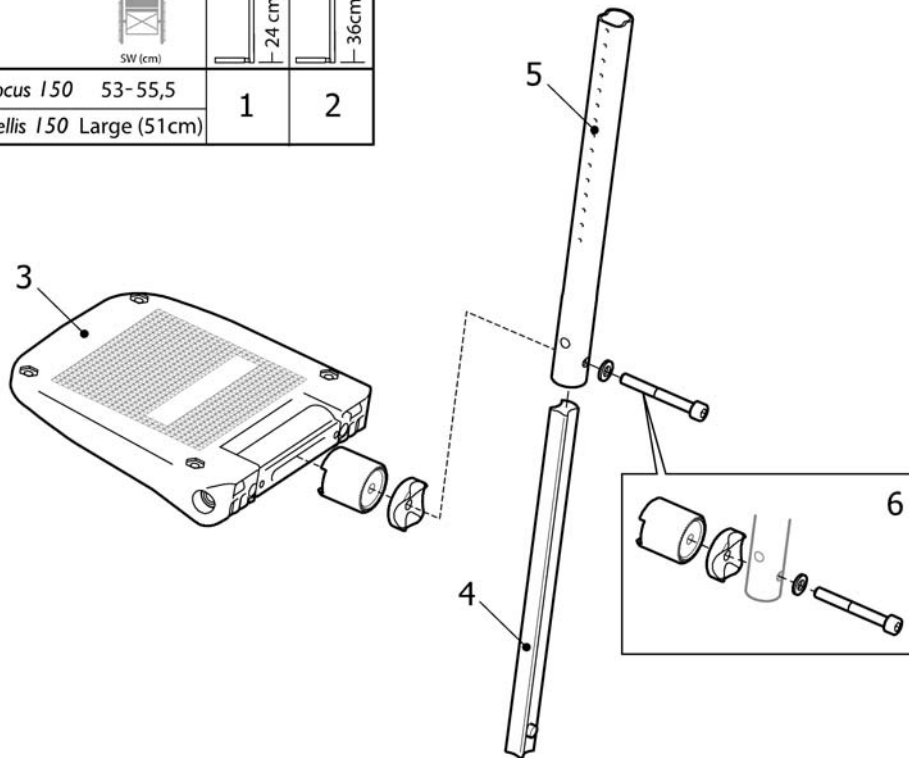
|                             |  SW(mm) |   |
|-----------------------------|--|---|
| Azalea, Clematis,<br>Dahlia | 340-390  | 1 2   |
|                             | 440  | 3 4   |
|                             | 490  | 5 6   |
| Bellis, Bellis 150          | 390-430 (S)  | 3 4   |
|                             | 440-480 (M)  | 5 6   |
|                             | 490-530 (L)  | 5 6   |



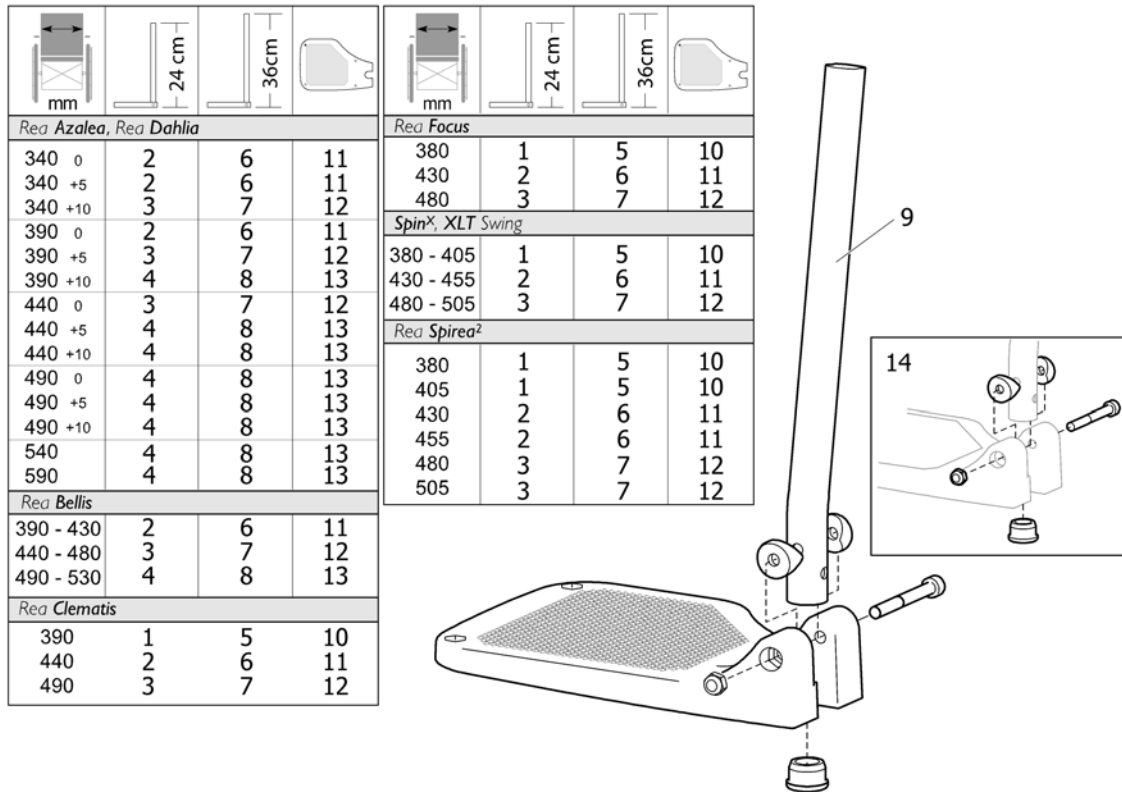
|    |         |   |                |
|----|---------|---|----------------|
| 1  | 1524984 | (HANGER (+ CALFPAD 12), LE, AA ALU2008 LEGREST) | 1              |
| 2  | 1524985 | (HANGER (+ CALFPAD 12), RI, AA ALU2008 LEGREST) | 1              |
| 3  | 1524986 | (HANGER (+ CALFPAD 15), LE, AA ALU2008 LEGREST) | 1              |
| 4  | 1524987 | (HANGER (+ CALFPAD 15), RI, AA ALU2008 LEGREST) | 1              |
| 5  | 1524988 | (HANGER (+ CALFPAD 18), LE, AA ALU2008 LEGREST) | 1              |
| 6  | 1524989 | (HANGER (+ CALFPAD 18), RI, AA ALU2008 LEGREST) | 1              |
| 7  | 1513007 | Bellis beenst.bovendl. H.V.+kniepad li cpl      | 1              |
| 8  | 1513006 | Bellis beenst.bovendl. H.V.+kniepad re cpl      | 1              |
| 9  | 1516313 | Rea kuitsteun 12' dartex ps                     | 1              |
| 10 | 1516314 | Rea kuitst.large cpl ps Dah/Azal/Clema/Bellis   | 1              |
| 11 | 1516315 | Rea kuitst.large cpl ps Dah/Azal/Clema/Bellis   | 1              |
| 12 | 1445763 | (PAD, CALFSUPPORT 12 CPL, DARTEX BLACK)         | 1              |
| 13 | 1445764 | Rea kuitst.pad 19 zw. dartex ps                 | 1              |
| 14 | 1445765 | (PAD, CALFSUPPORT 18 CPL, DARTEX BLACK)         | 1              |
| 15 | 1429215 | Rea kuitst.handwiel ps                          | 1              |
| 16 | 1508943 | Beenst.bovendl.comf.hv. stelknop ps Rea/Poir    | 1              |
| 17 | 1513671 | Beenst.bovendl.hv.kniepad li cpl > 2008-10      | 01.10.2008 → 1 |
| 18 | 1513716 | Beenst.bovendl.hv.kniepad re cpl >2008-10       | 01.10.2008 → 1 |
| 19 | 1424571 | BEENST.BOVENDL.VAST SCHROEF M10x23 A3/FOC PS    | 1              |
| 20 | 1429326 | Rea beenst.bovendl.hv.sterkknop schr.M10x23 ps  | 1              |

**(Footrest, Alu2003, Bellis 150)**

|                             |         |   |   |
|-----------------------------|---------|---|---|
|                             |         |   |   |
| Rea Focus 150               | 53-55,5 | 1 | 2 |
| Rea Bellis 150 Large (51cm) |         |   |   |



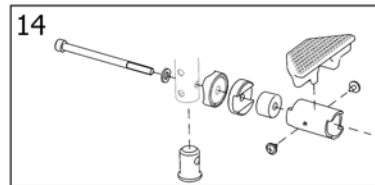
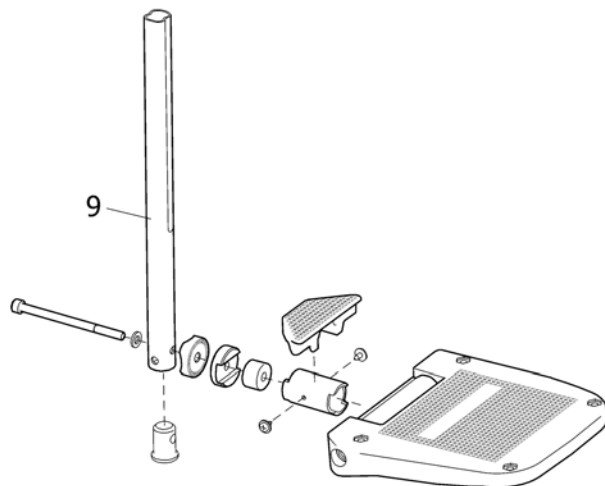
|   |         |  |   |
|---|---------|--|---|
| 1 | 1440036 | \$ellis 150 voetpl+inst. buis kort alu.2003 li | 1 |
| 1 | 1440037 | \$ellis 150 voetpl+inst. buis kort alu.2003 re | 1 |
| 2 | 1440038 | Bellis 150 voetpl+inst. buis lang alu.2003 li  | 1 |
| 2 | 1440039 | Bellis 150 voetpl+inst. buis lang alu.2003 re  | 1 |
| 3 | 5106376 | Activ voetpl.zb46 std.ex inst.buis ps          | 1 |
| 4 | 1440008 | (BAR, FOOTREST TUBE)                           | 1 |
| 5 | 1440034 | (Short straight footrest tube 150 mm)          | 1 |
| 5 | 1440035 | Rea insteekbuis tbv.d.i. voetplaat lang 346 ps | 1 |
| 6 | 1430840 | Voetpl.verst.zb38,5-45,5 bev.kit A3/Focus      | 1 |



|    |              |   |   |
|----|--------------|---|---|
| 1  | 1428357      | Rea voetpl.zb38-40+inst. 24 alu li Bel/Com/Foc/Sp   | 1 |
| 1  | 1428358      | Rea voetpl.zb38-40+inst. 24 alu re Bel/Com/Foc/Sp   | 1 |
| 2  | 1428361      | Rea voetpl.zb43-46+inst. 24 alu.li Bel/Com/Foc/Sp   | 1 |
| 2  | 1428362      | Rea voetpl.zb43-46+inst. 24 alu.re Bel/Com/Foc/Sp   | 1 |
| 3  | 1428365      | Rea voetpl.zb44-50+inst.24 alu.li Bel/Com/Foc/Sp    | 1 |
| 3  | 1428366      | Rea voetpl.zb44-50+inst.24 alu.re Bel/Com/Foc/Sp    | 1 |
| 4  | 1435756      | Voetpl.27+inst.b.41-53 kort li Rea                  | 1 |
| 4  | 1435757      | Voetpl.27+inst.b.41-53 kort re Rea                  | 1 |
| 5  | 1428359      | Rea voetpl.zb38-40+inst. 36 alu.li Bel/Com/Foc/Sp   | 1 |
| 5  | 1428360      | Rea voetpl.zb38-40+inst. 36 alu.re Bel/Com/Foc/Sp   | 1 |
| 6  | 1428363      | Rea voetpl.zb43-46+inst. 36 alu.li Bel/Com/Foc/Sp   | 1 |
| 6  | 1428364      | Rea voetpl.zb43-46+inst. 36 alu.re Bel/Com/Foc/Sp   | 1 |
| 7  | 1428367      | Rea voetpl.zb44-50+inst. 36 alu.li Bel/Com/Foc/Sp   | 1 |
| 7  | SP1428368    | (FOOTREST 24 "ALU2003",LOWER PART,FIXED,LONG,RIGHT) | 1 |
| 8  | 1435659      | Voetpl.27+inst.b.41-53   ang li A3/As/Bel/Com/Foc   | 1 |
| 8  | 1435660      | Voetpl.27+inst.b.41-53   ang re A3/As/Bel/Com/Foc   | 1 |
| 9  | 1434561-0010 | Voetpl.insteekb.kort A3/Focus ps                    | 1 |
| 9  | 1434563-0010 | Rea insteekbuis lang voor aa/fx ps                  | 1 |
| 10 | 1428340      | Voetpl.vast zb38-40 li A3/Foc                       | 1 |
| 10 | 1428341      | Voetpl.vast zb38-40 re A3/Foc                       | 1 |
| 11 | 1424574      | Rea voetpl.zb43-46 alu. li.Bel/Comf/Foc/Sp          | 1 |
| 11 | 1424575      | Rea voetpl.zb43-46.re. Bel/Comf/Foc/Sp ex pijp      | 1 |
| 12 | 1428346      | Rea voetpl.zb48-50,5 li                             | 1 |
| 12 | 1428347      | Rea voetpl.zb48-50,5 re                             | 1 |
| 13 | 1428374      | Rea voetpl.zb49-60,5 li ps                          | 1 |
| 13 | 1428375      | Rea voetpl.zb49-60,5 re ps                          | 1 |
| 14 | 1430433      | \$OETPL.STD.BEV.KIT CPL A3/FOC                      | 1 |

**(Footrest 90°, Alu2003)**

|   |   |   |    |
|---|---|---|----|
|   |   |   |    |
| <i>Rea Bellis</i>                               |   |   |    |
| S (39 - 43)                                     | 2 | 6 | 11 |
| M (44 - 48)                                     | 3 | 7 | 12 |
| L (49 - 53)                                     | 4 | 8 | 13 |
| <i>Rea Azalea, Rea Comfort</i>                  |   |   |    |
| 34-39   | 2 | 6 | 11 |
| 44  | 3 | 7 | 12 |
| 49  | 4 | 8 | 13 |
| <i>Rea Clematis</i>                             |   |   |    |
| 39  | 1 | 5 | 10 |
| 44  | 2 | 6 | 11 |
| 49  | 3 | 7 | 12 |
| <i>Rea Focus</i>                                |   |   |    |
| 38  | 1 | 5 | 10 |
| 43  | 2 | 6 | 11 |
| 48  | 3 | 7 | 12 |
| <i>SpinX, XLT Swing, Rea Spirea<sup>2</sup></i> |   |   |    |
| 38 - 40,5                                       | 1 | 5 | 10 |
| 43 - 45,5                                       | 2 | 6 | 11 |
| 48 - 50 5                                       | 3 | 7 | 12 |



SPS1446130

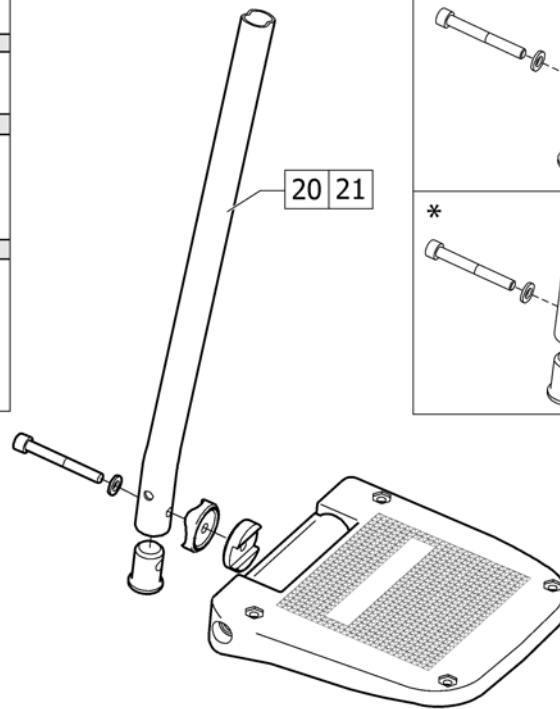
|    |         |  |   |
|----|---------|--|---|
| 1  | 1446130 | Rea voetpl.zb38-40 inst. kort tbv.beenst.90gr li   | 1 |
| 1  | 1446131 | Rea voetpl.zb38-40 inst. kort tbv.beenst.90gr re   | 1 |
| 2  | 1446132 | Rea voetpl.zb43-45 inst. kort tbv.beenst.90gr li   | 1 |
| 2  | 1446133 | Rea voetpl.zb43-45 inst. kort tbv.beenst.90gr re   | 1 |
| 3  | 1446134 | Rea voetpl.zb48-50 inst. kort tbv.beenst.90gr li   | 1 |
| 3  | 1446135 | Rea voetpl.zb48-50 inst. kort tbv.beenst.90gr re   | 1 |
| 4  | 1446159 | (FOOTREST LOWER PART 18, AA, FOOTR. 90, SHORT, LH) | 1 |
| 4  | 1446160 | (FOOTREST LOWER PART 18, AA, FOOTR. 90, SHORT, RH) | 1 |
| 5  | 1446136 | Rea voetpl.zb38-40 inst. lang tbv.beenst.90gr li   | 1 |
| 5  | 1446137 | Rea voetpl.zb38-40 inst. lang tbv.beenst.90gr re   | 1 |
| 6  | 1446138 | Rea voetpl.zb43-45 inst. lang tbv.beenst.90gr li   | 1 |
| 6  | 1446139 | Rea voetpl.zb43-45 inst. lang tbv.beenst.90gr re   | 1 |
| 7  | 1446140 | Rea voetpl.zb48-50 inst. lang tbv.beenst.90gr li   | 1 |
| 7  | 1446141 | Rea voetpl.zb48-50 inst. lang tbv.beenst.90gr re   | 1 |
| 8  | 1446161 | (FOOTREST LOWER PART 18, AA, FOOTR. 90, LONG, LH)  | 1 |
| 8  | 1446162 | (FOOTREST LOWER PART 18, AA, FOOTR. 90, LONG, RH)  | 1 |
| 9  | 1440035 | Rea insteekbuis tbv.d.i. voetplaat lang 346 ps     | 1 |
| 9  | 1446094 | (TUBE, LEGREST, SHORT (221))                       | 1 |
| 10 | 5106371 | Activ voetpl.zb36 std.ex inst.buis ps              | 1 |
| 11 | 5106373 | Activ voetpl.zb41 std.ex inst.buis ps              | 1 |
| 12 | 5106375 | Activ voetpl.std.zb46 ex inst.b.ps.A3/Ad/Ass/Bel   | 1 |
| 13 | 5106376 | Activ voetpl.zb46 std.ex inst.buis ps              | 1 |
| 14 | 1497913 | (SCREW KIT FOOTREST 90 ALU 2004)                   | 1 |



**(Footrest, AA, "Alu2003")**

|                     | mm | 24 cm | 36cm |  |
|---------------------|----|-------|------|--|
| <b>Rea Azalea</b>   |    |       |      |  |
| 340 0               | 4  | 11    | 18   |  |
| 340 +5              | 4  | 11    | 18   |  |
| 340 +10             | 5  | 12    | 19   |  |
| 390 0               | 4  | 11    | 18   |  |
| 390 +5              | 5  | 12    | 19   |  |
| 390 +10             | 6* | 13    | 18   |  |
| 440 0               | 5  | 12    | 19   |  |
| 440 +5              | 6* | 13    | 18   |  |
| 440 +10             | 7* | 14    | 19   |  |
| 490 0               | 6* | 13    | 18   |  |
| 490 +5              | 7* | 14    | 19   |  |
| 490 +10             | 7* | 14    | 19   |  |
| <b>Rea Bellis</b>   |    |       |      |  |
| 390 - 430           | 5  | 12    | 19   |  |
| 440 - 480           | 7* | 14*   | 19   |  |
| 490 - 530           | 7* | 14*   | 19   |  |
| <b>Rea Clematis</b> |    |       |      |  |
| 390                 | 3  | 10    | 17   |  |
| 440                 | 5  | 12    | 19   |  |
| 490                 | 7* | 14*   | 19   |  |

|                                    | mm | 24 cm | 36cm |  |
|------------------------------------|----|-------|------|--|
| <b>Rea Focus</b>                   |    |       |      |  |
| 380                                | 2  | 9     | 16   |  |
| 430                                | 4  | 11    | 18   |  |
| 480                                | 6* | 13*   | 18   |  |
| <b>Spin®, XLT Swing</b>            |    |       |      |  |
| 330 - 355                          | 1  | 8     | 15   |  |
| 380 - 405                          | 2  | 9     | 16   |  |
| 430 - 455                          | 4  | 11    | 18   |  |
| 480                                | 6* | 13*   | 18   |  |
| 505                                | 7* | 14*   | 19   |  |
| <b>Rea Spirea®, Rea Spirea® NG</b> |    |       |      |  |
| 355                                | 1  | 8     | 15   |  |
| 380                                | 2  | 9     | 16   |  |
| 405                                | 3  | 10    | 17   |  |
| 430                                | 4  | 11    | 18   |  |
| 455                                | 5  | 12    | 19   |  |
| 480                                | 6* | 13*   | 18   |  |
| 505                                | 7* | 14*   | 19   |  |



09/2018/19

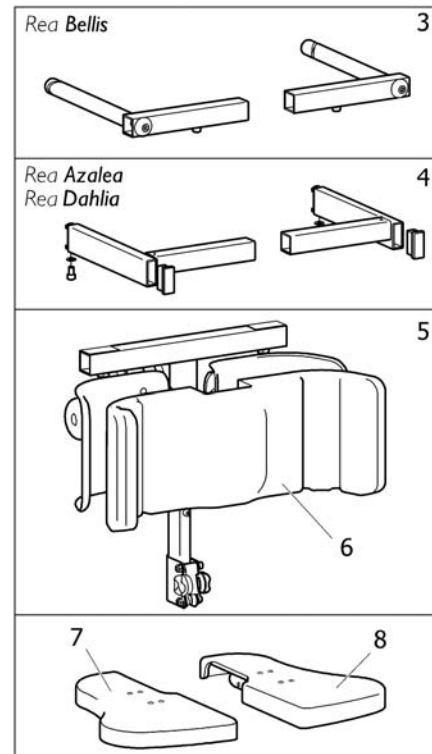
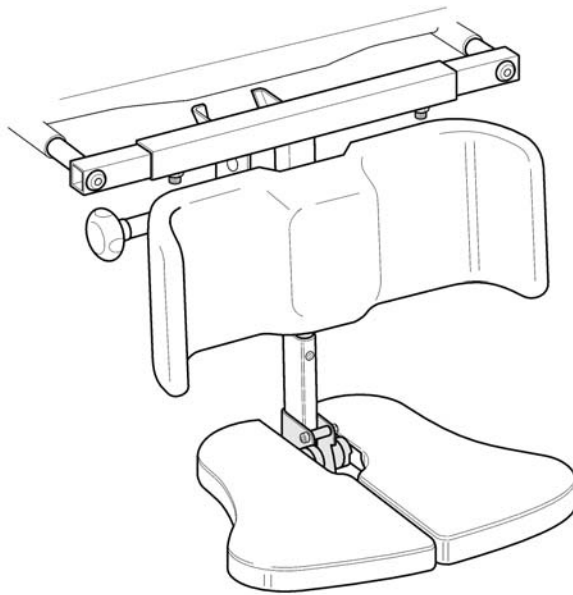
|    |         |   |   |
|----|---------|---|---|
| 1  | 1485430 | Rea voetpl.zb33-35,5 HV+ inst.24 alu li Sp/XLT/Sw | 1 |
| 1  | 1485524 | Rea voetpl.zb33-35,5 HV+ inst.24 alu re Sp/XLT/Sw | 1 |
| 2  | 1429159 | Rea voetpl.zb36-45 hv+in st.24 alu.li As/Co/Fo/Sp | 1 |
| 2  | 1429160 | Rea voetpl.zb36-45 hv+in st.24 alu.re As/Co/Fo/Sp | 1 |
| 3  | 1429161 | \$ellis voetpl.zb39 hv+in st.buis 24 alu.li       | 1 |
| 3  | 1429162 | \$ellis voetpl.zb39 hv+in st.buis 24 alu.re       | 1 |
| 4  | 1429163 | Rea voetpl.zb39-43hv+ins t.24 alu.li as/Bel/Co/Sp | 1 |
| 4  | 1429164 | Rea voetpl.zb39-43hv+ins t.24 alu.re.as/Bel/Co/Sp | 1 |
| 5  | 1429165 | Rea voetpl.zb44-50 hv+in st.24 alu.li Bel/Com/Sp  | 1 |
| 5  | 1429166 | Rea voetpl.zb44-50 hv+in st.24 alu.re Bel/Com/Sp  | 1 |
| 6  | 1429167 | Voetpl.hv.19+inst.b.32-4 4 li A3/Ass/Bel/Comf/Foc | 1 |
| 6  | 1429168 | Voetpl.hv.19+inst.b.32-4 4 re A3/Ass/Bel/Comf/Foc | 1 |
| 7  | 1429169 | Rea voetpl.zb50,5 hv+in st.24 alu.li As/Co/Spi    | 1 |
| 7  | 1429170 | Rea voetpl.zb50,5 hv+in st.24 alu.re As/Co/Spi    | 1 |
| 8  | 1485428 | Rea voetpl.zb33-35,5 HV+ inst.36 alu li Sp/XLT/Sw | 1 |
| 8  | 1485429 | Rea voetpl.zb33-35,5 HV+ inst.36 alu re Sp/XLT/Sw | 1 |
| 9  | 1429171 | Rea voetpl.zb36-45 hv+in st.36 alu.li As/Co/Fo/Sp | 1 |
| 9  | 1429172 | Rea voetpl.zb36-45 hv+in st.36 alu.re As/Co/Fo/Sp | 1 |
| 10 | 1429173 | Bellis voetpl.zb41 hv+in st.buis 36cm.alu.li      | 1 |
| 10 | 1429174 | Bellis voetpl.zb41 hv+in st.buis 36cm.alu.re      | 1 |
| 11 | 1429175 | Rea voetpl.zb39-43hv+ins t.36 alu.li as/Bel/Co/Sp | 1 |
| 11 | 1429176 | Rea voetpl.zb39-43hv+ins t.36 alu.re as/Bel/Co/Sp | 1 |
| 12 | 1429177 | Rea voetpl.zb44-51 hv+in st.36 alu.li Bel/Com/Sp  | 1 |
| 12 | 1429178 | Rea voetpl.zb44-51 hv+in st.36 alu re Bel/Com/Sp  | 1 |
| 13 | 1429179 | Voetpl.hv.19+inst.b.41-5 3 li A3/Ass/Bel/Comf/Foc | 1 |
| 13 | 1429180 | Voetpl.hv.19+inst.b.41-5 3 re A3/Ass/Bel/Comf/Foc | 1 |
| 14 | 1429181 | Activ voetpl.hv.20+inst. buis 41-53 li.A3/Ass/Bel | 1 |
| 14 | 1429182 | Activ voetpl.hv.20+inst. buis 41-53 re.A3/Ass/Bel | 1 |
| 15 | 5106372 | Activ voetpl.zb38 std.ex inst.buis ps             | 1 |
| 16 | 5106374 | Activ voetpl.std.zb43 ex inst.b.ps A3/Ad/Ass/Bel  | 1 |
| 17 | 5106375 | Activ voetpl.std.zb46 ex inst.b.ps.A3/Ad/Ass/Bel  | 1 |

## (Footrest, AA, "Alu2003")

---

|    |              |   |   |
|----|--------------|---|---|
| 18 | 5106594      | Activ voetpl.d.i.zb48 ex inst.buis ps     | 1 |
| 19 | 5106376      | Activ voetpl.zb46 std.ex inst.buis ps     | 1 |
| 20 | 1434561-0010 | Voetpl.insteekb.kort A3/Focus ps          | 1 |
| 21 | 1434563-0010 | Rea insteekbuis lang voor aa/fx ps        | 1 |
| 22 | 1430839      | Voetpl.verst.zb38,5-45,5 bev.kit A3/Focus | 1 |
| 23 | 1430840      | Voetpl.verst.zb38,5-45,5 bev.kit A3/Focus | 1 |

|                          |   |
|--------------------------|---|
| Rea Bellis               | 1 |
| Rea Azalea<br>Rea Dahlia | 2 |

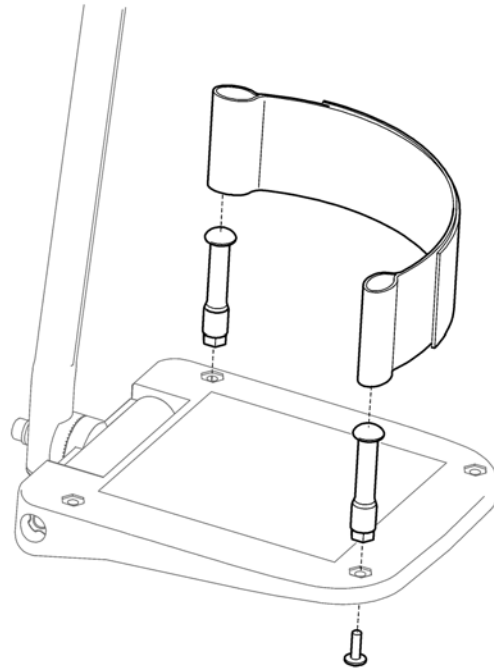


SP51494821

|   |         |  |   |
|---|---------|--|---|
| 1 | 1424640 | Sea beenst. 1-dlg+kuitst. +voetpl.hv.cpl.Bel/Ass | 1 |
| 2 | 1484821 | Azalea beensteun centr. 1-dlg cpl                | 1 |
| 3 | 1493102 | (ATTACHMENT CPL., CENTRAL LEGREST)               | 1 |
| 4 | 1493118 | \$zalea beenst.cent. bev.ps                      | 1 |
| 5 | 1493101 | (POLE CPL, CENTRAL LEGREST)                      | 1 |
| 6 | 1424545 | (CALFPAD CUSION, CENTER LEGREST)                 | 1 |
| 7 | 1484006 | (FOOTPLATE CPL, RIGHT, CENTER FOOTREST)          | 1 |
| 8 | 1484007 | (FOOTPLATE CPL, LEFT, CENTER FOOTREST)           | 1 |

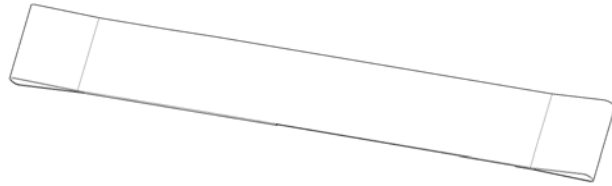
# (Heel strap)

1



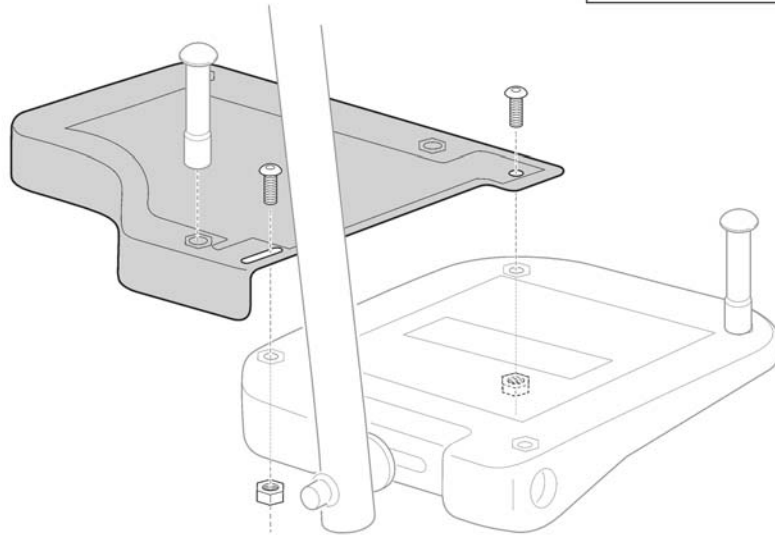
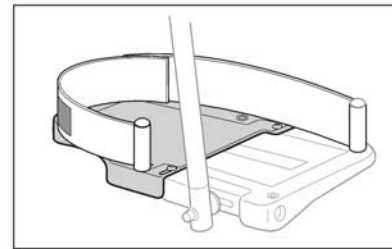
SP55106433

SPS1429214



# (Extender, footplate)

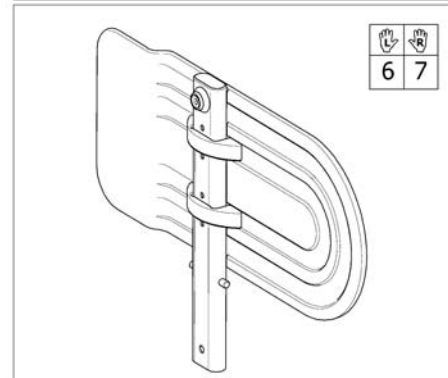
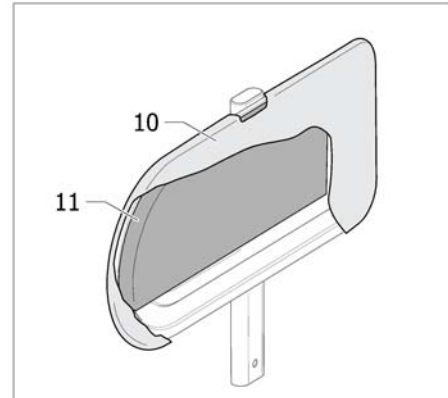
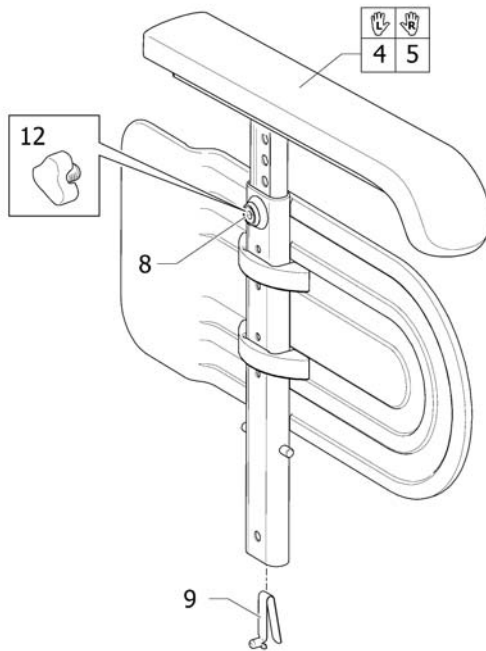
|       |           |   |
|-------|-----------|---|
|       |           |   |
| 135mm | 99-119mm  | 1 |
| 160mm | 124-144mm | 2 |



SP5255296

---

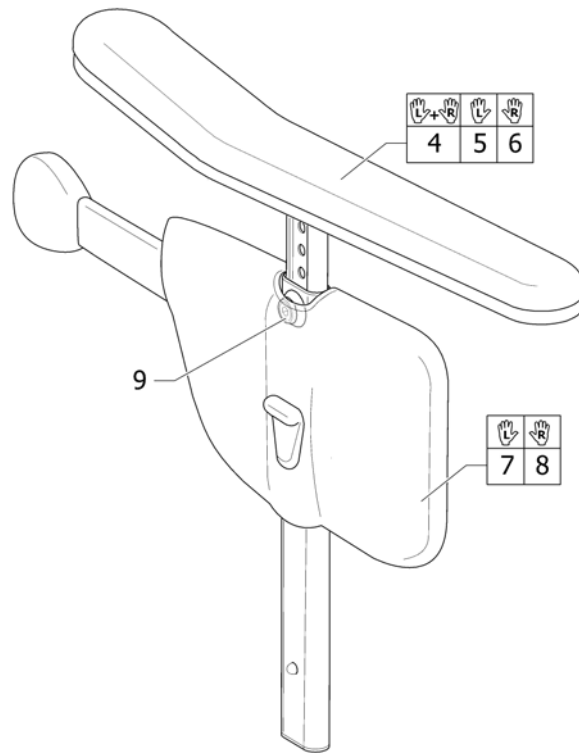
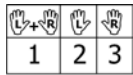
|   |           |  |   |
|---|-----------|--|---|
| 1 | SP5255297 | (Footplate extender w=135 pair)        | 1 |
| 2 | SP5255299 | Rea voetplaat verlenger 160mm per paar | 1 |



SPS1415518

|    |             |  |   |
|----|-------------|--|---|
| 1  | 1415519     | \$ctiv armst.h/d.v.contou r pp.Ad/Sp >07-05-01 | 1 |
| 2  | 1415518     | \$CTIV ARMST.H/D.V.CON- TOUR LI >070501        | 1 |
| 3  | 1415517     | \$CTIV ARMST.H/D.V.CON- TOUR RE >070501        | 1 |
| 4  | 5106632-C07 | \$dapt armst.t-stuk+arml. li                   | 1 |
| 5  | 5106631-C07 | \$dapt armst.t-stuk+arml. re                   | 1 |
| 6  | 1415521     | Assist kled.besch.li.cpl                       | 1 |
| 7  | SP1415520   | (Side Guard Right Cpl)                         | 1 |
| 8  | 5106533     | Rea inbus m12x1 (fijn) 150/703/Ad/Bel/Sp       | 1 |
| 9  | 1560734     | Rea armst.vergrendel/ stokhouder veer ps       | 1 |
| 10 | 1415453     | Assist zijsch.hoes grijs dartex ps             | 1 |
| 11 | SP1563199   | Rea kledingbeschermer gepolsterd hoes pp       | 1 |
| 12 | 5221122     | Rea wartel M12 ps                              | 1 |

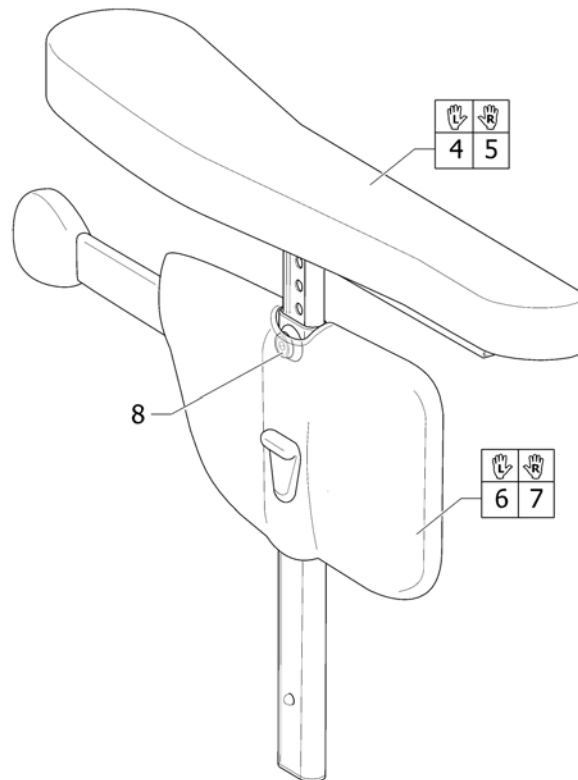
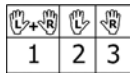
## (Armrest "NICE", narrow pad)



SP5525251

|   |              |   |   |
|---|--------------|---|---|
| 1 | 1508112      | (Armrest Nice, Narrow Pad, Pair)              | 1 |
| 2 | 5255252      | \$ellis armst.nice 6cm li                     | 1 |
| 3 | 5255251      | \$ellis armst.nice 6cm re                     | 1 |
| 4 | 1536778      | (Armrest Upper Part, Narrow Pad, Pair)        | 1 |
| 5 | 1439747      | (Armrest Upper Part, Narrow Pad, Left)        | 1 |
| 6 | 1439746      | (Armrest Upper Part, Narrow Pad, Right)       | 1 |
| 7 | 5255245-TR26 | Bellis armst.nice zijsch hoes zwart dartex re | 1 |
| 8 | 5255246-TR26 | Bellis armst.nice zijsch hoes zwart dartex li | 1 |
| 9 | 5106533      | Rea inbus m12x1 (fijn) 150/703/Ad/Bel/Sp      | 1 |

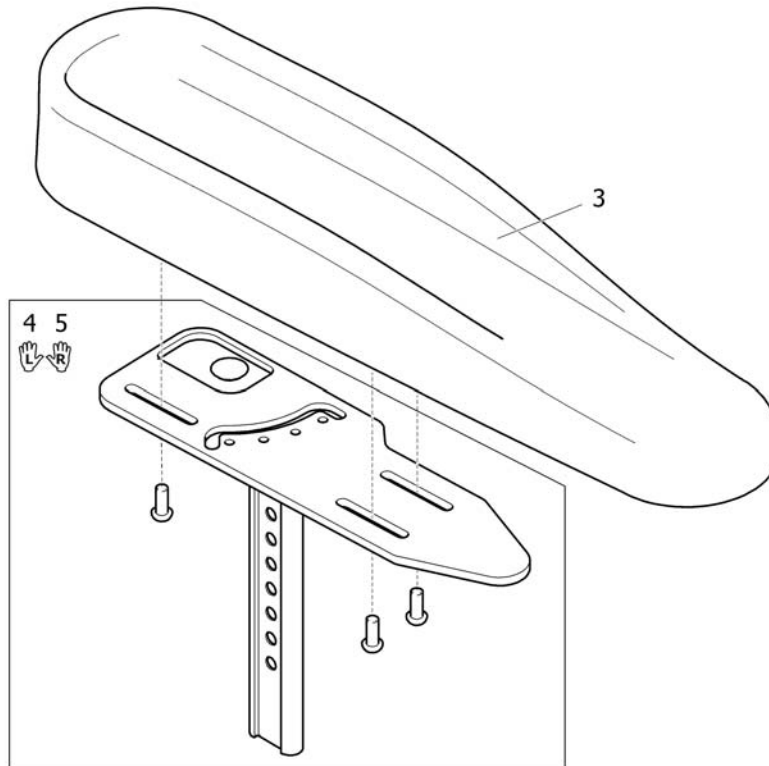




SF5525289

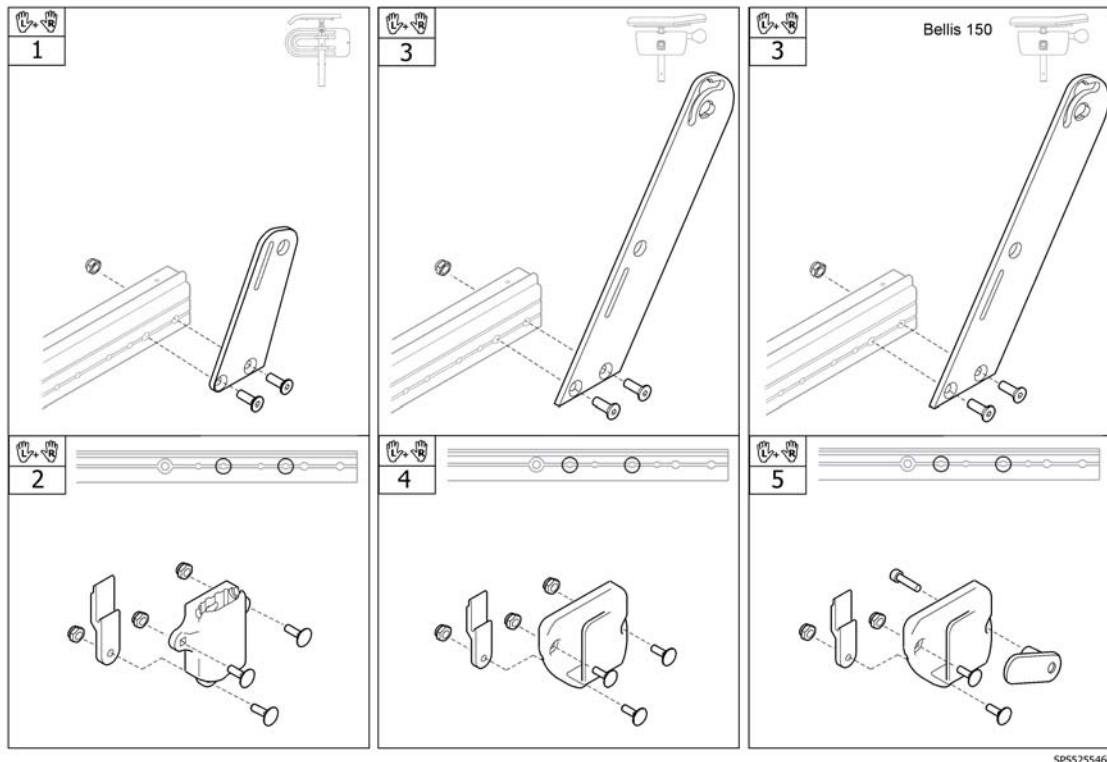
|   |              |   |   |
|---|--------------|---|---|
| 1 | 1508113      | (ARMREST FLIP-UP "NICE", WIDE PAD, PAIR)                    | 1 |
| 2 | 5255283      | Bellis armst.nice 9cm.li cpl                                | 1 |
| 3 | 5255282      | Bellis armst.nice 9cm.re cpl                                | 1 |
| 4 | 1439749      | (UPPER PART LE. "NICE" WIDE PAD)<br><i>Replaces 1439747</i> | 1 |
| 5 | 1439748      | (UPPER PART RI. "NICE" WIDE PAD)<br><i>Replaces 1439746</i> | 1 |
| 6 | 5255245-TR26 | Bellis armst.nice zijsch hoes zwart dartex re               | 1 |
| 7 | 5255246-TR26 | Bellis armst.nice zijsch hoes zwart dartex li               | 1 |
| 8 | 5106533      | Rea inbus m12x1 (fijn) 150/703/Ad/Bel/Sp                    | 1 |

# (Armrest, hemiplegic)



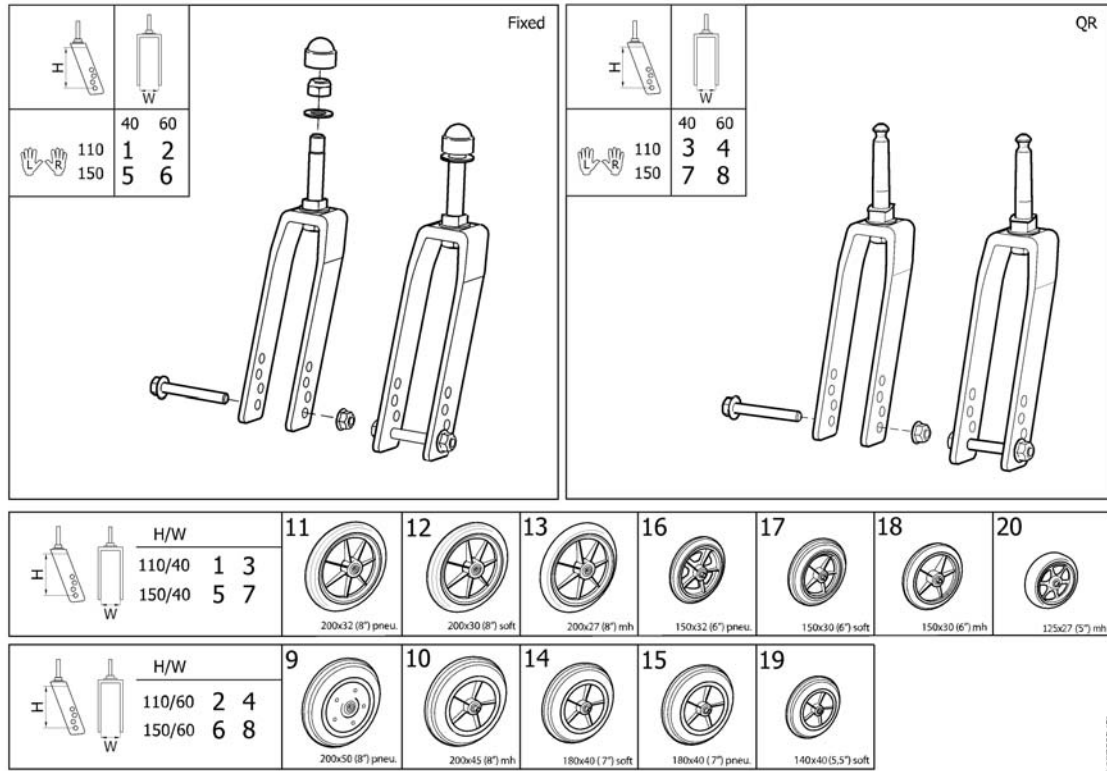
SP149321

|   |           |  |   |
|---|-----------|--|---|
| 1 | SP1493220 | (LH HEMI DARTEX ARMPAD ASSY)               | 1 |
| 2 | SP1493219 | (RH HEMI DARTEX ARMPAD ASSY)               | 1 |
| 3 | 1493251   | Rea arml.hemipl.ps                         | 1 |
| 4 | 1494006   | (Support Hemi armrest Lh)                  | 1 |
| 5 | 1494005   | Rea focus hemiplegie t-stuk fixatie rechts | 1 |



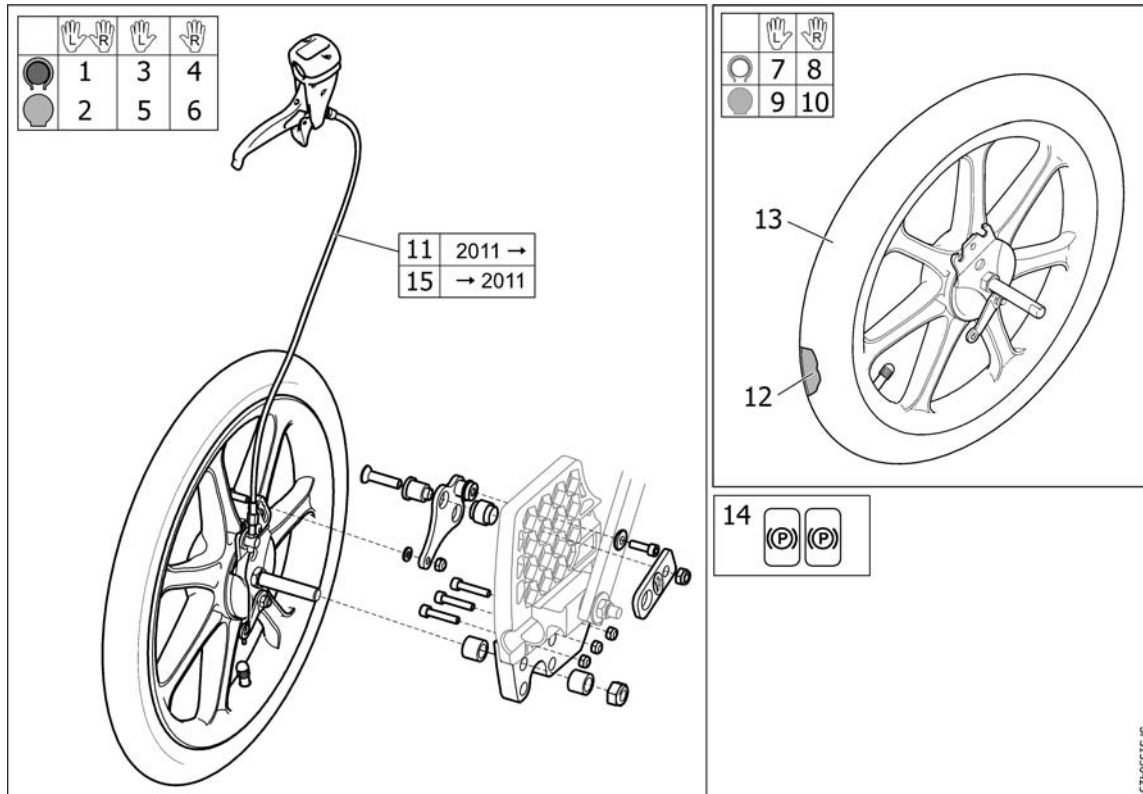
|   |           |  |   |
|---|-----------|--|---|
| 1 | SP1583162 | (Bracket pair, armrest, Bellis)          | 1 |
| 2 | SP1583163 | (Armrest attachment, pair)               | 1 |
| 3 | SP1583030 | (Bracket pair, Nice armrest, Bellis)     | 1 |
| 4 | SP1583164 | (Armrest attachment, pair, Nice armrest) | 1 |
| 5 | SP1583174 | (Armrest attachment, pair, Bellis 150)   | 1 |

Rea® Bellis | Voorwielen  
**(Castor wheels)**



1595322145

|    |            |  |   |
|----|------------|--|---|
| 1  | 1493442    | Rea voorw.vork medium smal std.ex.703/SpinX pp | 1 |
| 2  | 1493443    | Rea voorw.vork medium breed std.ex.703/Spx pp  | 1 |
| 3  | 1493525    | (FORK 110/40, QR, CPL, PAIR)                   | 1 |
| 4  | 1493527    | (FORK 110/60, QR, CPL, PAIR)                   | 1 |
| 5  | 1493440    | Rea voorw.vork lang smal std.ex.703/SpinX pp   | 1 |
| 6  | 1493441    | Rea voorw.vork lang bree d std.ex.703/SpinX pp | 1 |
| 7  | 1493506    | \$EA VOORVORK 150 N QR PP                      | 1 |
| 8  | 1493526    | (FORK 150/60, QR, CPL, PAIR)                   | 1 |
| 9  | 0038N10005 | \$IEL 8"PN.BREED EX.AS ZWART PS 2000/A3        | 1 |
| 10 | 1418196    | Wiel 8"semi-pn.200x45 Rea                      | 1 |
| 11 | 5322005    | Wiel 8"PN.200x32 ps Rea gebr.5320680           | 1 |
| 12 | 5750800    | Wiel 8" (200x30) softrol ps Rea                | 1 |
| 13 | 5322004    | Wiel 8"semi-pn.200x27 ps gebr.5320679          | 1 |
| 14 | 5750781    | Wiel 7"flexel 180x40 ps Rea                    | 1 |
| 15 | 5750782    | Wiel 7"pn.180x40 ps Rea gebr.5750788           | 1 |
| 16 | 5322006    | Wiel 6"pn.150x32 ps                            | 1 |
| 17 | 5750806    | WIEL 6"FLEXEL 150x30 PS DIO                    | 1 |
| 18 | 1555797    | Wiel 6"semi-pn.150x30+as ps Rea                | 1 |
| 19 | SP1601613  | (CASTOR 140x40 (5,5") SOFT)                    | 1 |
| 20 | 1491228    | Wiel 5"softroll 125x30 zwart ex.as Rea         | 1 |



SF51536425

|    |         |  |   |
|----|---------|--|---|
| 1  | 1536423 | (WHEEL 16" DRUMBRAKE PNEU PAIR)  | 1 |
| 2  | 1536424 | (WHEEL 16" DRUMBRAKE SOLID PAIR)   | 1 |
| 3  | 1536425 | (WHEEL 16" DRUMBRAKE PNEU, LE INCL. CABLE ASSY.)                         | 1 |
| 4  | 1536426 | (WHEEL 16" DRUMBRAKE PNEU, RI INCL. CABLE ASSY.)                         | 1 |
| 5  | 1536427 | (WHEEL 16" DRUMBRAKE SOLID, LE INCL. CABLE ASSY.)                        | 1 |
| 6  | 1536428 | (WHEEL 16" DRUMBRAKE SOLID, RI INCL. CABLE ASSY.)                        | 1 |
| 7  | 1537133 | (WHEEL 16" PNEU DB RIGHT)  | 1 |
| 8  | 1537134 | (WHEEL 16" PNEU DB LEFT)   | 1 |
| 9  | 1537135 | (WHEEL 16" SOLID DB RIGHT)   | 1 |
| 10 | 1537136 | (WHEEL 16" SOLID DB LEFT)  | 1 |
| 11 | 1527424 | (Cable Assy 1015, Brake)   | 1 |
| 12 | 5750778 | \$IBA 16 PS.ASS/WHE"   | 1 |
| 13 | 1440029 | Buba 16'lucht ps Rea   | 1 |
| 14 | 1536764 | (DECAL, CABLE ASSEMBLY, BRAKE)   | 1 |
| 15 | 1518721 | (Cable Assembly Cpl, 16" Wheel)<br><i>Only compatible with old model</i> | 1 |

# (Wheel 24"-22-20)

|            |    |    |    |       |    |    |  |
|------------|----|----|----|-------|----|----|--|
|            |    |    |    |       |    |    |  |
| <b>24"</b> | 45 | 46 | 47 | 45+48 | 49 | 50 |  |
| 58 ○       | 1  | 6  | 11 | 16    | 21 | 26 |  |
| 59 ○       | 2  | 7  | 12 | 17    | 22 | 27 |  |
| 60 ○       | 3  | 8  | 13 | 18    | 23 | 28 |  |
| 61 ○       | 4  | 9  | 14 | 19    | 24 | 29 |  |
| 62 ●       | 5  | 10 | 15 | 20    | 25 | 30 |  |
| <b>22"</b> | 51 | 52 | 53 | 51+54 | 55 |    |  |
| 63 ○       | 31 | 33 | 35 | 37    | 39 |    |  |
| 64 ○       | 32 | 34 | 36 | 38    | 40 |    |  |
| <b>20"</b> | 56 | 57 |    |       |    |    |  |
| 65 ○       | 41 | 43 |    |       |    |    |  |
| 66 ○       | 42 | 44 |    |       |    |    |  |

|     |     |     |  |     |     |     |  |
|-----|-----|-----|--|-----|-----|-----|--|
| 24" | 22" | 20" |  | 24" | 22" | 20" |  |
| 67  | 68  | 69  |  | 70  | 71  | 72  |  |

|    |         |  |   |
|----|---------|--|---|
| 1  | 1524030 | Wiel 24'prof+21'alu ex. as ps Rea                          | 1 |
| 2  | 1524186 | (Wheel 24"x1"3/8 HD Notched Tyre, Handrim, Plastic)        | 1 |
| 3  | 1530764 | Wiel 24' pn+hoepel staal Rea ps                            | 1 |
| 4  | 1531508 | Wiel 24'prof+foam coated hoepel Rea 2010                   | 1 |
| 5  | 1531563 | (Wheel 24"x1"3/8 HD Notched Tyre, Handrim, Blakgrip)       | 1 |
| 6  | 1524029 | Wiel 24'vis+alu ex.as ps Rea >2010                         | 1 |
| 7  | 1524163 | (Wheel 24"x1"3/8 HD Thin Tyre, Handrim, Plastic)           | 1 |
| 8  | 1530763 | (Wheel 24"x1"3/8 HD Thin Tyre, Handrim, Stainless)         | 1 |
| 9  | 1531462 | Wiel 24' visprof.hoepel foam (2010) Rea                    | 1 |
| 10 | 1531538 | (Wheel 24"x1"3/8 HD Thin Tyre Profile, Handrim, Blackgrip) | 1 |
| 11 | 1524050 | Wiel 24'semi-pn.lijnprofiel alu hoepel cpl                 | 1 |
| 12 | 1524188 | (Wheel 24"x1"3/8 HD Solid , Handrim, Plastic)              | 1 |
| 13 | 1530762 | (Wheel 24"x1"3/8 HD Solid , Handrim,Stainless)             | 1 |
| 14 | 1531531 | (Wheel 24"x1"3/8 HD Solid , Handrim, Foam)                 | 1 |
| 15 | 1531564 | (Wheel 24"x1"3/8 HD Solid , Handrim, Blackgrip)            | 1 |
| 16 | 1524150 | Wiel 24'semi-pn blokprofiel alu hoepel cpl rea             | 1 |
| 17 | 1524189 | (Wheel 24"x1"3/8 HD Punctureproof, Handrim, Plastic)       | 1 |
| 18 | 1531129 | (Wheel 24"x1"3/8 HD Punctureproof, Handrim, Stainless)     | 1 |
| 19 | 1531532 | (Wheel 24"x1"3/8 HD Punctureproof, Handrim, Foam)          | 1 |
| 20 | 1531565 | (Wheel 24"x1"3/8 HD Punctureproof, Handrim, Blackgrip)     | 1 |
| 21 | 1524049 | (Wheel 24"x1" HD Thin Tyre, Handrim, Aluminum)             | 1 |
| 22 | 1524187 | (Wheel 24"x1" HD Thin Tyre, Handrim, Plastic)              | 1 |
| 23 | 1531063 | (Wheel 24"x1" HD Thin Tyre, Handrim, Stainless)            | 1 |
| 24 | 1531533 | Wiel 24' low prof (1') met foam hoepel Rea                 | 1 |
| 25 | 1531566 | (Wheel 24"x1" HD Thin Tyre, Handrim, Blackgrip)            | 1 |
| 26 | 1532143 | Wiel 24'+marathon buba alu hoepel ps rea                   | 1 |
| 27 | 1532183 | (Wheel 24"x1" HD Black Marathon, Handrim, Plastic)         | 1 |
| 28 | 1532144 | (Wheel 24"x1" HD Black Marathon, Handrim, Inox)            | 1 |
| 29 | 1532184 | (Wheel 24"x1" HD Black Marathon, Handrim, Foam)            | 1 |
| 30 | 1532185 | Wiel 24'+marathon buba black grip hoepel ps Rea            | 1 |
| 31 | 1523949 | Wiel 22' prof + alu hoepel rea                             | 1 |

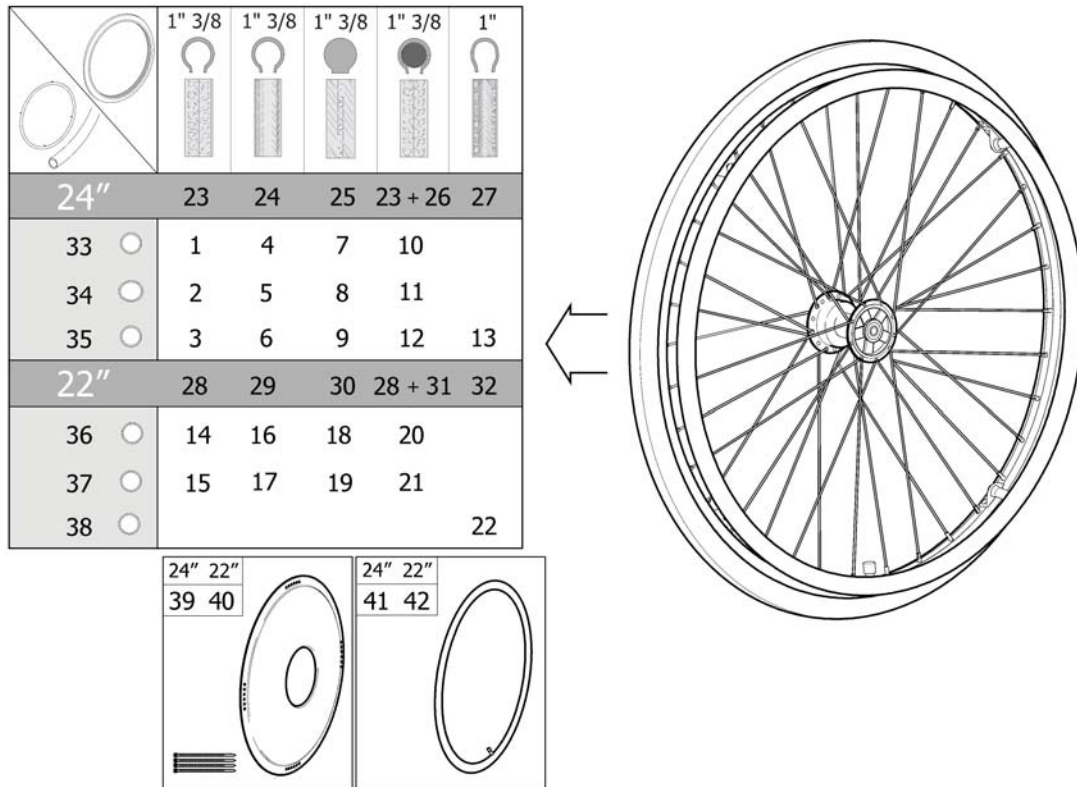
|    |         |  |   |
|----|---------|--|---|
| 32 | 1524024 | (Wheel 22"x1"3/8 HD Notched Tyre, Handrim, Plastic)      | 1 |
| 33 | 1523948 | Wiel 22'vis+19 alu hoepel ex.as 2010                     | 1 |
| 34 | 1524023 | (Wheel 22"x1" HD Thin Profile Tyre, Handrim, Plastic)    | 1 |
| 35 | 1524021 | Wiel 22'semi pneu + alu hoepel Rea                       | 1 |
| 36 | 1524027 | (Wheel 22"x1"3/8 HD Solid , Handrim, Plastic)            | 1 |
| 37 | 1524022 | (Wheel 22"x1"3/8 HD Punctureproof, Handrim, Aluminum)    | 1 |
| 38 | 1524028 | (Wheel 22"x1"3/8 HD Punctureproof, Handrim, Plastic)     | 1 |
| 39 | 1524020 | Wiel 22x1'pneu.incl.alu hoepel ps                        | 1 |
| 40 | 1524026 | (Wheel 22"x1" HD Thin Tyre, Handrim, Plastic)            | 1 |
| 41 | 1523944 | (Wheel 20"x1"3/8 HD Notched Tyre, Handrim, Aluminum)     | 1 |
| 42 | 1523945 | (Wheel 20"x1"3/8 HD Notched Tyre, Handrim, Plastic)      | 1 |
| 43 | 1523885 | Wiel 20' vis+18 alu.ex as ps Rea                         | 1 |
| 44 | 1523902 | (Wheel 20"x1"3/8 HD Thin Profile Tyre, Handrim, Plastic) | 1 |
| 45 | 5750019 | Buba 24'prof.ps Rea                                      | 1 |
| 46 | 5750014 | Buba 24'vis.ps Rea                                       | 1 |
| 47 | 5750015 | Buba 24'semi-pn.ps Rea                                   | 1 |
| 48 | 5207046 | \$iba 24" z.prof ps Dio                                  | 1 |
| 49 | 5750160 | \$UBA 24"x1 VIS.NR.2369G PS.REA                          | 1 |
| 50 | 1512742 | Buba 24'x1' (25-540) zwart marathon Rea                  | 1 |
| 51 | 1531455 | Buba 22' prof ps Rea                                     | 1 |
| 52 | 1531456 | Buba 22' non marking HP rea                              | 1 |
| 53 | 5750172 | Buba 22'semi-pn.ps Rea                                   | 1 |
| 55 | 1531454 | (Pneumatic Tyre Thin Profile 22"x1" (25-501))            | 1 |
| 56 | 5750017 | \$uba 20" prof.ps Rea                                    | 1 |
| 57 | 5750012 | (Pneumatic Tyre Thin 20"x1" 3/8")                        | 1 |
| 58 | 1531577 | Hoepel 21'alu Rea 2010 rechte bev.                       | 1 |
| 59 | 1531578 | Hoepel 21'tbv 24' wiel plastic coated 2010               | 1 |
| 60 | 1531305 | (Kit Handrim 24" Stainless 4 Fixations)                  | 1 |
| 61 | 1531459 | Hoepel 21'foam coated ps Rea                             | 1 |
| 62 | 1531460 | Hoepel 21' black grip ps Rea                             | 1 |
| 63 | 1531579 | Hoepel 19'tbv.22'wiel alu rechte bev.ps                  | 1 |
| 64 | 1531580 | Hoepel 19' tbv 22' wiel plastic gecoat 2010              | 1 |
| 65 | 1530271 | (Kit Handrim 20"Aluminum 4 Fixations)                    | 1 |
| 66 | 1530272 | (Kit Handrim 20" Plastic 4 Fixations)                    | 1 |
| 67 | 5102807 | SPAAKBESCH.24'TRANSP.PS                                  | 1 |
| 68 | 5102800 | Spaakbesch.22 transp.ps                                  | 1 |
| 69 | 5102795 | SPAAKBESCH.20'.TRANSP.PS                                 | 1 |
| 70 | 5750036 | Biba 24'ps Rea   | 1 |
| 70 | 5750161 | \$iba 24" x1 nr.2939G.ps Rea                             | 1 |
| 71 | 5750035 | Biba 22'ps Rea   | 1 |
| 72 | 5750034 | \$iba 20" ps Dio   | 1 |

## (Kit Handrim 24" Stainless 4 Fixations)

---

|      |         |   |   |
|------|---------|---|---|
| 3854 | 1528924 | ()                                      | 4 |
| 3854 | 1529757 | (Handrim Stainless, 24" Wheel, Std2010) | 1 |
| 3854 | 1531457 | (Spacer 22mm, Handrim)                  | 4 |
| 3854 | 1531458 | (Spacer 5mm, Handrim)                   | 4 |





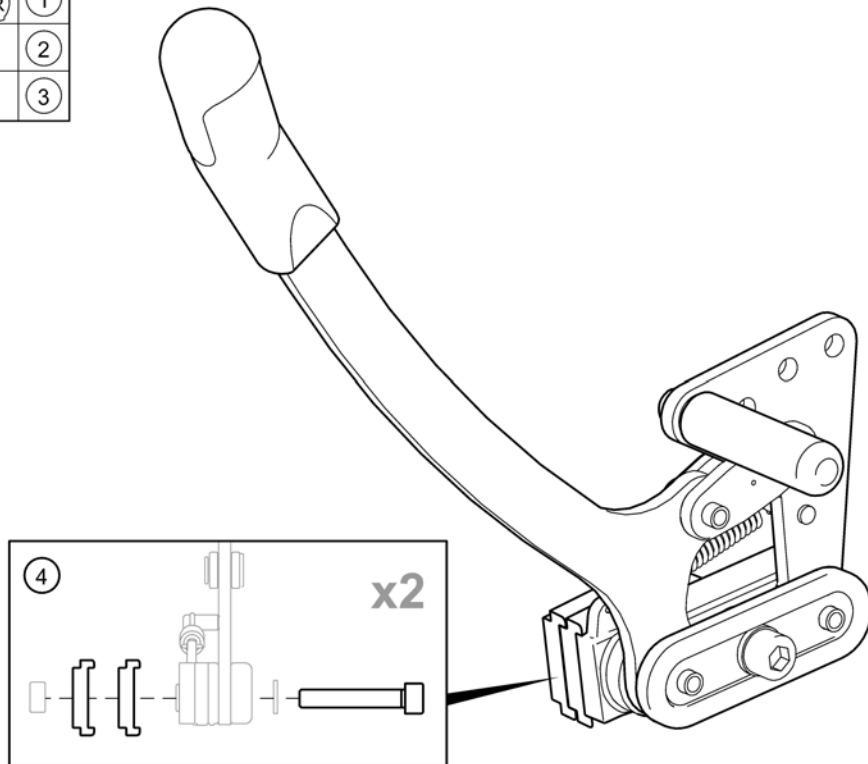
981534416

|    |         |  |   |
|----|---------|--|---|
| 1  | 1524437 | Wiel 24' pneu alu hoepel tbv tr.rem Rea                                  | 1 |
| 2  | 1524514 | Wiel 24'profiel PL coate d tbv.trommelrem ps Rea                         | 1 |
| 3  | 1531080 | (Wheel 24"x1"3/8 Hub Brake Notched tyre, Handrim,Stainless)              | 1 |
| 4  | 1524436 | Wiel 24' met alu hoepel vis tbv trom rem Rea ps                          | 1 |
| 5  | 1524513 | (Wheel 24"x1"3/8 Hub Brake Thin Tyre,Handrim,Plastic)                    | 1 |
| 6  | 1531064 | (Wheel 24"x1"3/8 Hub Brake Thin Tyre,Handrim,Stainless)                  | 1 |
| 7  | 1524447 | Wiel 24' buba semipn alu hoepel tbv tr.rem Rea                           | 1 |
| 8  | 1524515 | (Wheel 24"x1"3/8 Hub Brake Solid,Handrim, Plastic)                       | 1 |
| 9  | 1531127 | (Wheel 24"x1"3/8 Hub Brake Solid,Handrim, Stainless)                     | 1 |
| 10 | 1524512 | (Wheel 24"x1"3/8 Hub Brake Notched Tyre Punctureproof,Handrim,Aluminum)  | 1 |
| 11 | 1524516 | (Wheel 24"x1"3/8 Hub Brake Punctureproof,Handrim,Plastic)                | 1 |
| 12 | 1531128 | (Wheel 24"x1"3/8 Hub Brake Punctureproof,Handrim,Stainless)              | 1 |
| 13 | 1536613 | (Wheel 24"x1" Hub Brake Thin Tyre Punctureproof,Handrim, Stainless)      | 1 |
| 14 | 1524290 | (Wheel 22"x1"3/8 Hub Brake Notched Tyre,Handrim,Aluminum)                | 1 |
| 15 | 1524361 | (Wheel 22"x1"3/8 Hub Brake Notched Tyre,Handrim,Plastic)                 | 1 |
| 16 | 1524289 | (Wheel 22"x1"3/8 Hub Brake Thin Tyre,Handrim,Aluminum)                   | 1 |
| 17 | 1524337 | (Wheel 22"x1"3/8 Hub Brake Thin Tyre,Handrim,Plastic)                    | 1 |
| 18 | 1524291 | (Wheel 22"x1"3/8 Hub Brake Solid,Handrim,Aluminum)                       | 1 |
| 19 | 1524388 | (Wheel 22"x1"3/8 Hub Brake Solid,Handrim,Plastic)                        | 1 |
| 20 | 1524292 | (Wheel 22"x1"3/8 Hub Brake Notched Tyre Punctureproof,Handrim, Aluminum) | 1 |
| 21 | 1524435 | (Wheel 22"x1"3/8 Hub Brake Punctureproof,Handrim,Plastic)                | 1 |
| 22 | 1536612 | (Wheel 22"x1" Hub Brake Thin Tyre Punctureproof,Handrim,Stainless)       | 1 |
| 23 | 5750019 | Buba 24'prof.ps Rea  | 1 |
| 24 | 5750014 | Buba 24'vis.ps Rea   | 1 |
| 25 | 5750015 | Buba 24'semi-pn.ps Rea   | 1 |
| 26 | 5207046 | \$iba 24" z.prof ps Dio  | 1 |
| 27 | 5750160 | \$UBA 24"x1 VIS.NR.2369G PS.REA  | 1 |
| 28 | 1531455 | Buba 22' prof ps Rea   | 1 |
| 29 | 1531456 | Buba 22' non marking HP rea  | 1 |
| 30 | 5750172 | Buba 22'semi-pn.ps Rea   | 1 |

**(Wheel 24"-22" DB)**

---

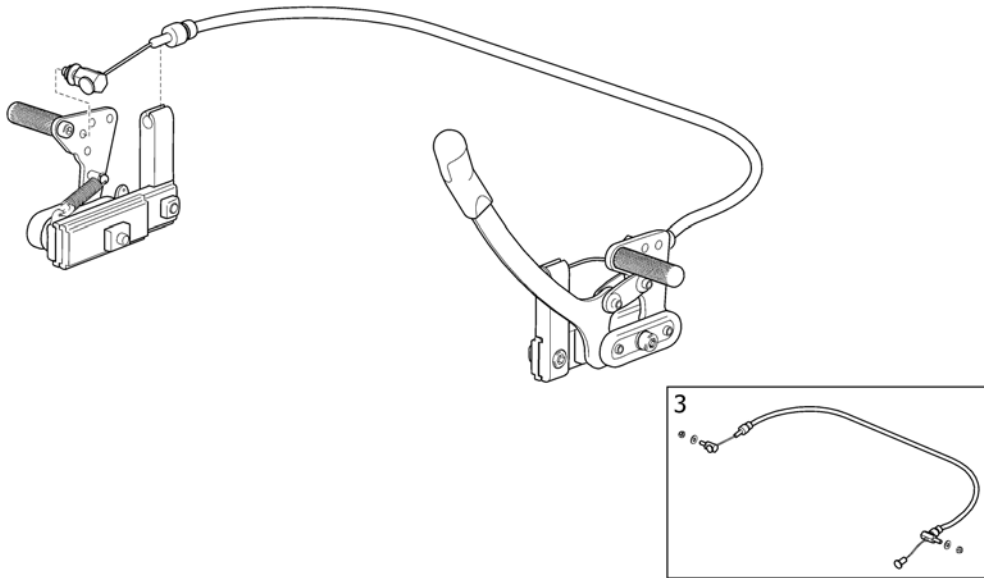
|    |         |   |   |
|----|---------|---|---|
| 32 | 1531454 | (Pneumatic Tyre Thin Profile 22"x1" (25-501)) | 1 |
| 33 | 1531577 | Hoepel 21'alu Rea 2010 rechte bev.            | 1 |
| 34 | 1531578 | Hoepel 21'tbv 24' wiel plastic coated 2010    | 1 |
| 35 | 1531305 | (Kit Handrim 24" Stainless 4 Fixations)       | 1 |
| 36 | 1531579 | Hoepel 19'tbv.22'wiel alu rechte bev.ps       | 1 |
| 37 | 1531580 | Hoepel 19' tbv 22' wiel plastic gecoat 2010   | 1 |
| 38 | 1536546 | (Kit Handrim 22"Stainless 4 Fixations)        | 1 |
| 39 | 5102807 | SPAAKBESCH.24'TRANSP.PS                       | 1 |
| 40 | 5102800 | Spaakbesch.22 transp.ps                       | 1 |
| 41 | 5750036 | Biba 24'ps Rea                                | 1 |
| 42 | 5750035 | Biba 22'ps Rea                                | 1 |



SPS5255124

|   |         |                                   |   |
|---|---------|-----------------------------------|---|
| 1 | 5255235 | \$ellis blokrem pp                | 1 |
| 2 | 5255117 | \$ellis rem li.cpl                | 1 |
| 3 | 5255124 | \$ellis rem re.cpl                | 1 |
| 4 | 5207648 | Activ rem-uitb.set 10mm per zijde | 1 |

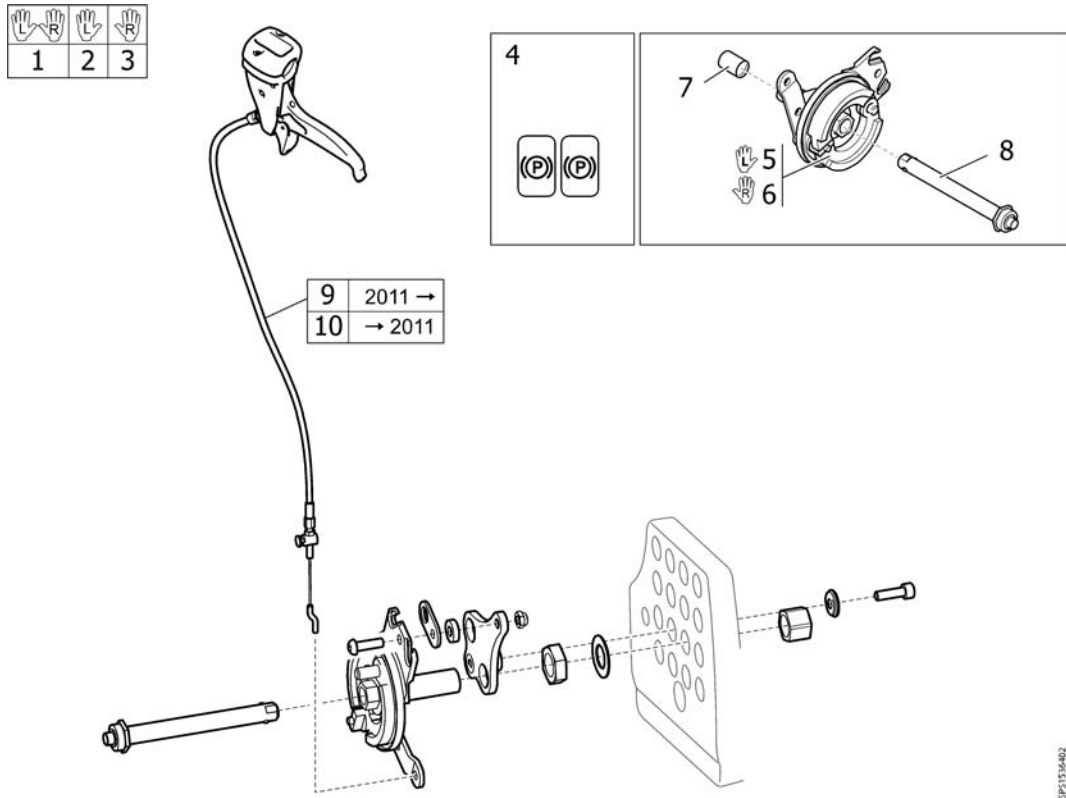
**(One arm brake)**



SP2525418

|   |         |                                       |   |
|---|---------|---------------------------------------|---|
| 1 | 5255418 | \$ellis rem 1-handsbed.li cpl         | 1 |
| 2 | 5255426 | \$ellis rem 1-handsbed.re cpl         | 1 |
| 3 | 1514742 | Focus remkabel cpl tbv. 1-handsrem ps | 1 |

## (Drumbrake, assistant manoevered)

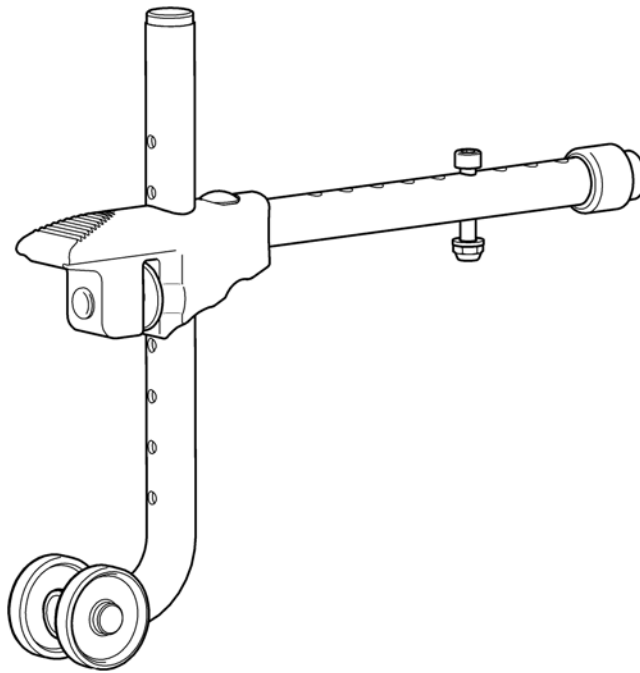


SP51536402

|    |         |  |   |
|----|---------|--|---|
| 1  | 1536402 | (BRAKE KIT 24" DB CPL, PAIR)   | 1 |
| 2  | 1536403 | (BRAKE KIT 24" DB LEFT, CPL)   | 1 |
| 3  | 1536422 | (BRAKE KIT 24" DB RIGHT, CPL)  | 1 |
| 4  | 1536764 | (DECAL, CABLE ASSEMBLY, BRAKE)   | 1 |
| 5  | 1536252 | rea trommelrem naaf rechts   | 1 |
| 6  | 1536253 | rea trommelrem naaf links  | 1 |
| 7  | 5100925 | \$CHTERW.AS EDCO AFDEK- DOP PS   | 1 |
| 8  | 5750192 | Rea QR assen tbv trommelrem ps   | 1 |
| 9  | 1527424 | (Cable Assy 1015, Brake)   | 1 |
| 10 | 5735266 | \$ellis trom.rem kabel+ hendel cpl ps<br><i>Only compatible with old model</i> | 1 |

# (Anti-tip device)

1



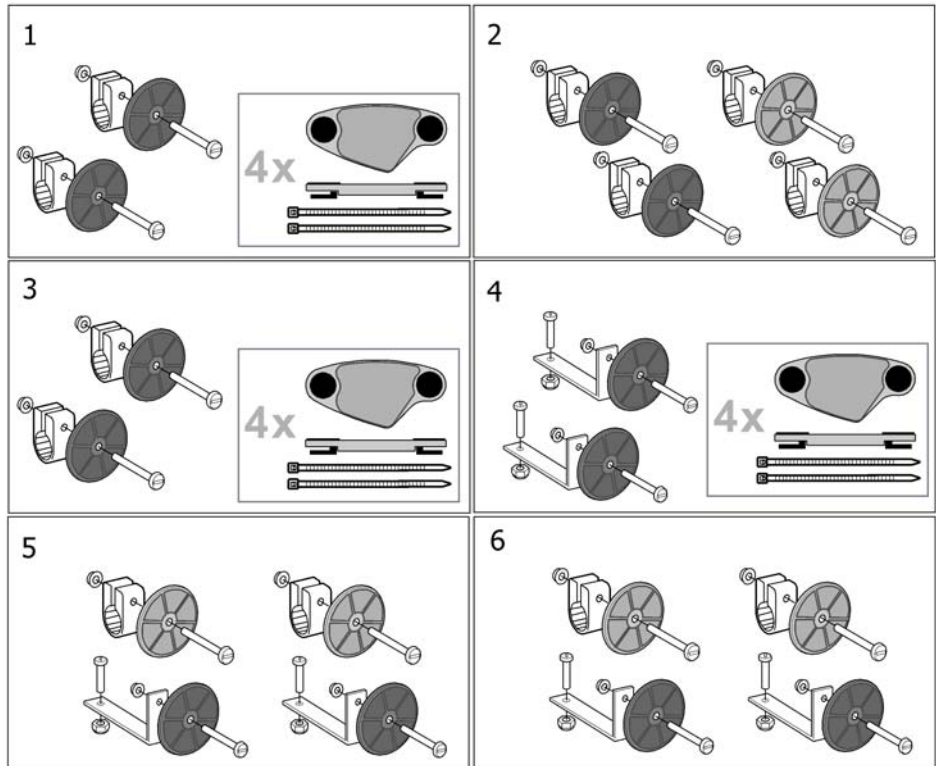
5255306

1 5255306

Activ anti-tip/trapdop ps cpl Ad/Bel/Sp

1

|   |  20-26" |  16" |
|---|--|---|
| Azalea                                      | 1  | 2   |
| Dahlia                                      | 1  | 2   |
| Clematis                                    | 1  | -   |
| Focus                                       | 4  | 6   |
| Spin <sup>x</sup>                           | 1  | -   |
| Spirea <sup>2</sup> , Spirea <sup>4NG</sup> | 4  | 5   |
| XLT, XLT Max                                | 3  | -   |

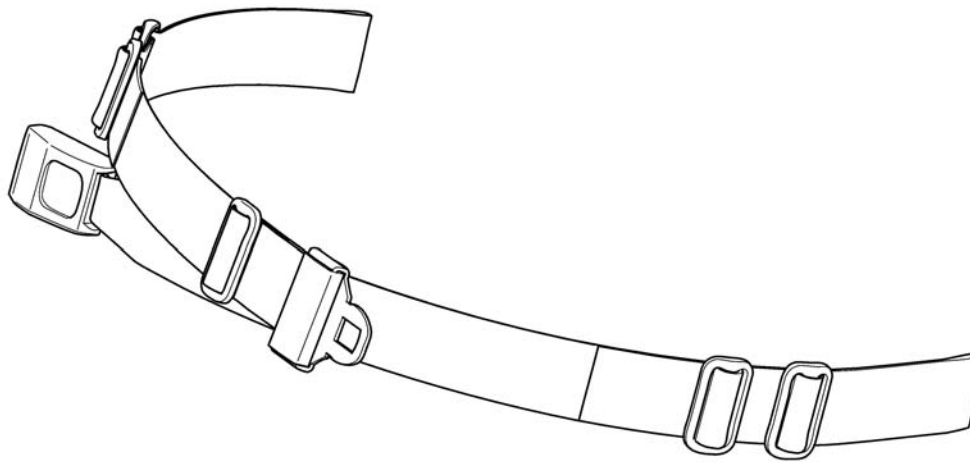


SPS-5206632

|   |           |  |   |
|---|-----------|--|---|
| 1 | SP5206655 | (Reflector kit (Wheel Rear Spoked))              | 1 |
| 2 | SP5254249 | (Reflector kit (Wheel rear 16") Azalea Clematis) | 1 |
| 3 | 5206640   | Rea reflectorkit cpl. Comf/xlt                   | 1 |
| 4 | 5104965   | \$eflector set cpl >04/00                        | 1 |
| 5 | 1435760   | \$pirea2 reflector kit                           | 1 |
| 6 | 1546559   | (Reflector Kit Dahlia ( wheel 16"))              | 1 |

# (Pelvic belt)

1



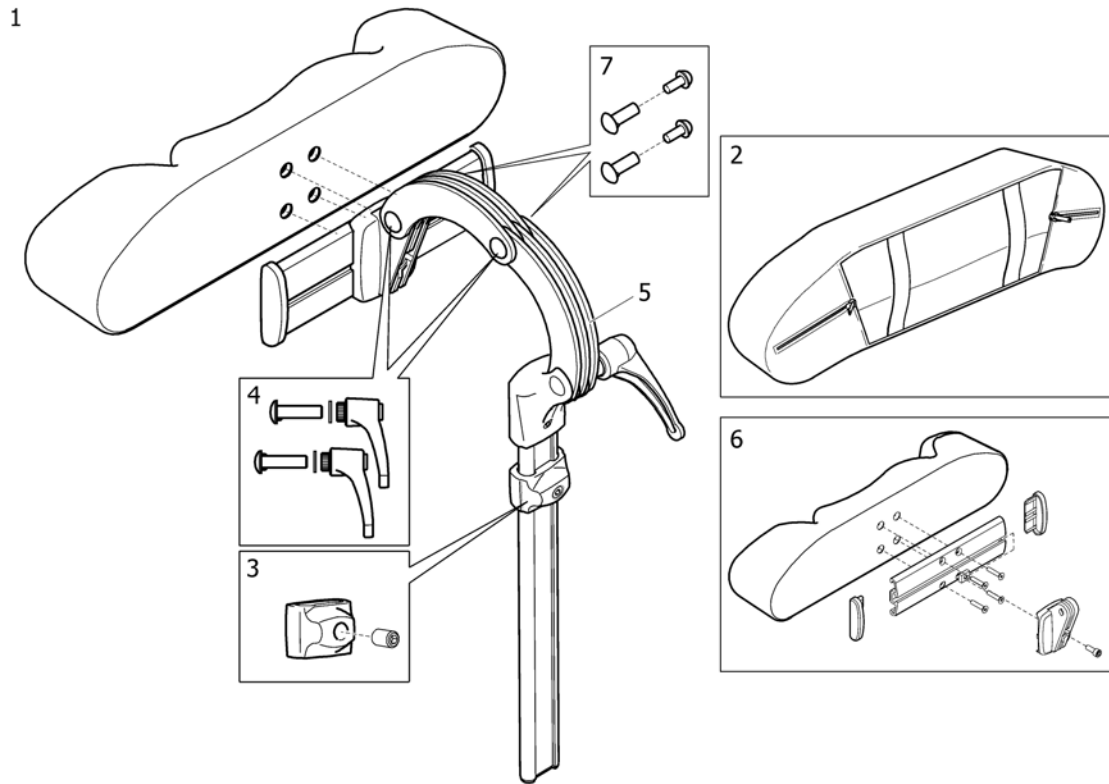
1551066

1 1551066

Rea heupgordel cpl ps gebr.1543662

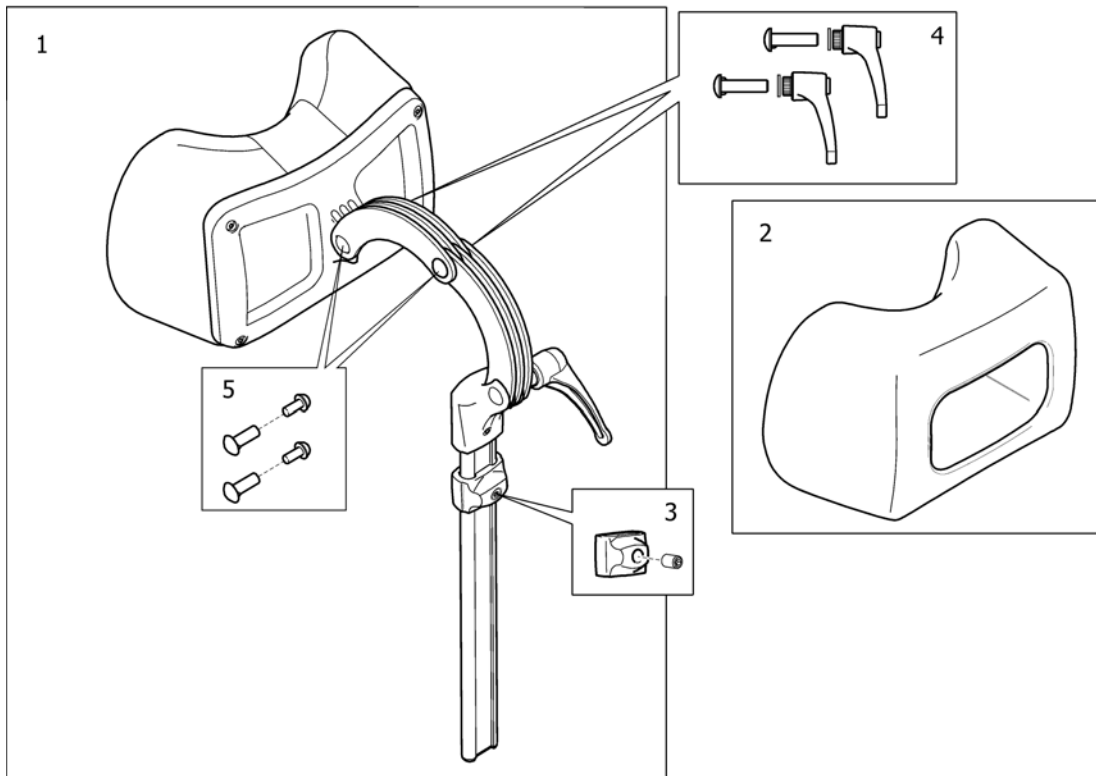
1





|   |           |   |   |
|---|-----------|---|---|
| 1 | 1446559   | Rea hfdst.zijw.inst.dartex cpl.As/Be/Com/Fo/703 | 1 |
| 2 | 1518516   | Rea hfdst.zijw.inst.dartex hoes ps              | 1 |
| 3 | SP1448661 | (Memory, neck/headrest)                         | 1 |
| 4 | 1445693   | Bellis hoofd-/neksteun clinic kit               | 1 |
| 5 | 1485538   | Hoofd/neksteun bev.boog cpl diverse stoelen     | 1 |
| 6 | 1530755   | Rea hoofdsteun kussen ex.bev                    | 1 |
| 7 | SP1572769 | (FASTENERS KIT, HEAD- & NECKREST)               | 1 |

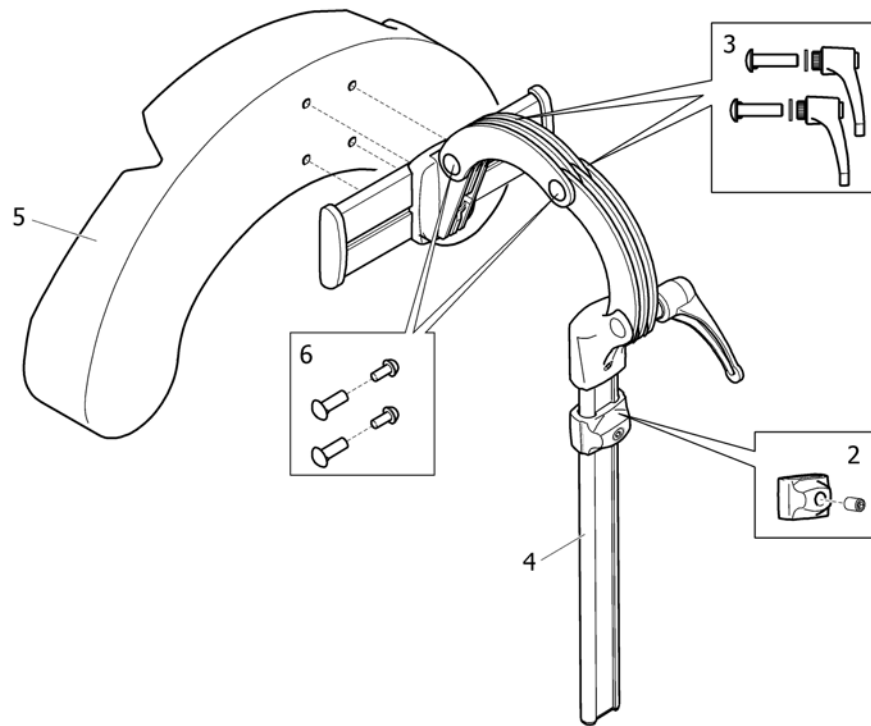
# (Neckrest)



SP150848

|   |           |  |   |
|---|-----------|--|---|
| 1 | 1508848   | Rea nekst.dartex cpl ps                | 1 |
| 2 | 1518517   | Hoofdsteun bekl./hoes tr34 Rea/Poirier | 1 |
| 3 | SP1448661 | (Memory, neck/headrest)                | 1 |
| 4 | 1445693   | Bellis hoofd-/neksteun clinic kit      | 1 |
| 5 | SP1572769 | (FASTENERS KIT, HEAD- & NECKREST)      | 1 |

1

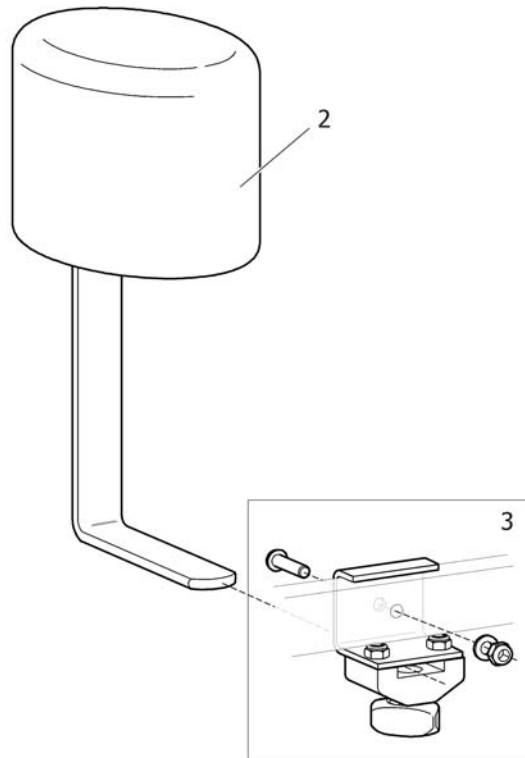


SP1446560

|   |           |  |   |
|---|-----------|--|---|
| 1 | SP1446560 | (Head/cheek support TR26 cpl. sidewise adjustable) | 1 |
| 2 | SP1448661 | (Memory, neck/headrest)                            | 1 |
| 3 | 1445693   | Bellis hoofd-/neksteun clinic kit                  | 1 |
| 4 | 1485538   | Hoofd/neksteun bev.boog cpl diverse stoelen        | 1 |
| 5 | 1444304   | Bellis kinondersteuning kussen ps                  | 1 |
| 6 | SP1572769 | (FASTENERS KIT, HEAD- & NECKREST)                  | 1 |

# (Pommel)

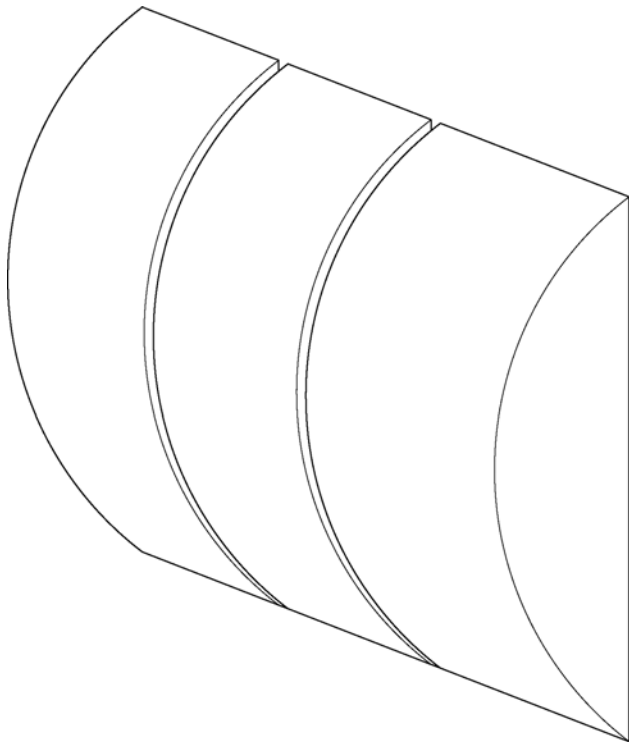
1



SP5144173

---

|   |         |                              |   |
|---|---------|------------------------------|---|
| 1 | 1449207 | (POMMEL CPL WITH ATTACHMENT) | 1 |
| 2 | 1444173 | \$ea abductieklos dartex ps  | 1 |
| 3 | 1448663 | \$ellis abd.klos bev.mat cpl | 1 |



SPS5295081

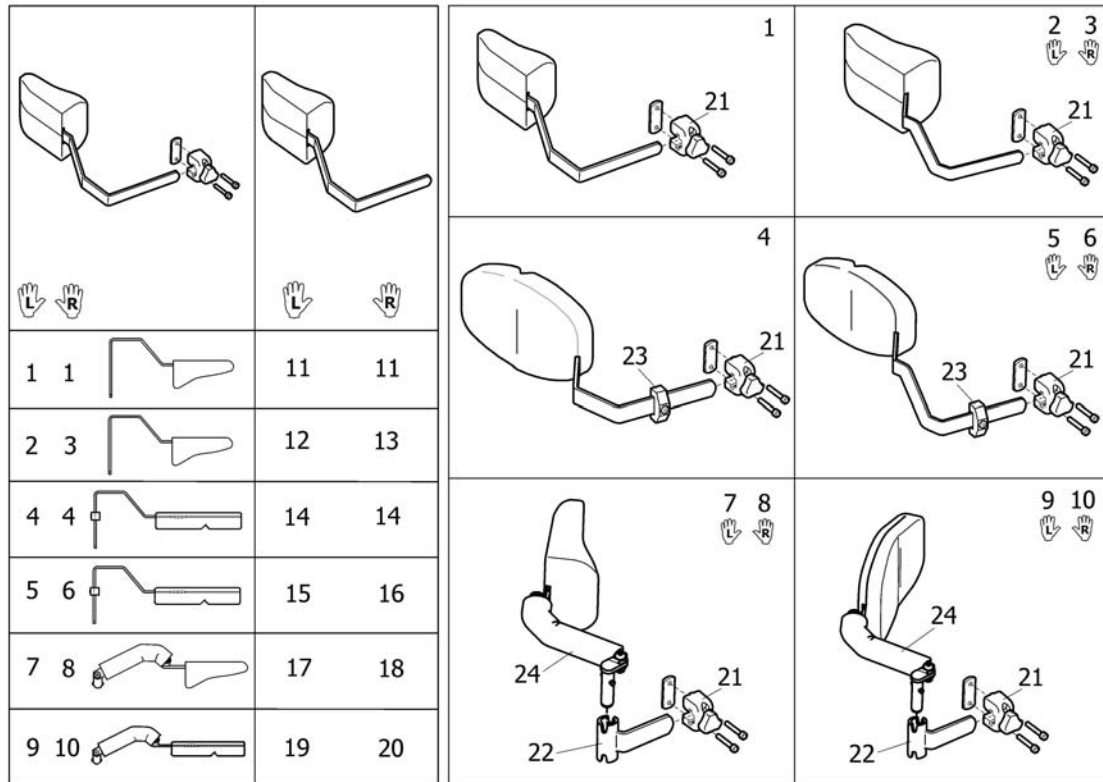
---

1 5252527

Rea lumbaalkussen ps. Bel/Comf

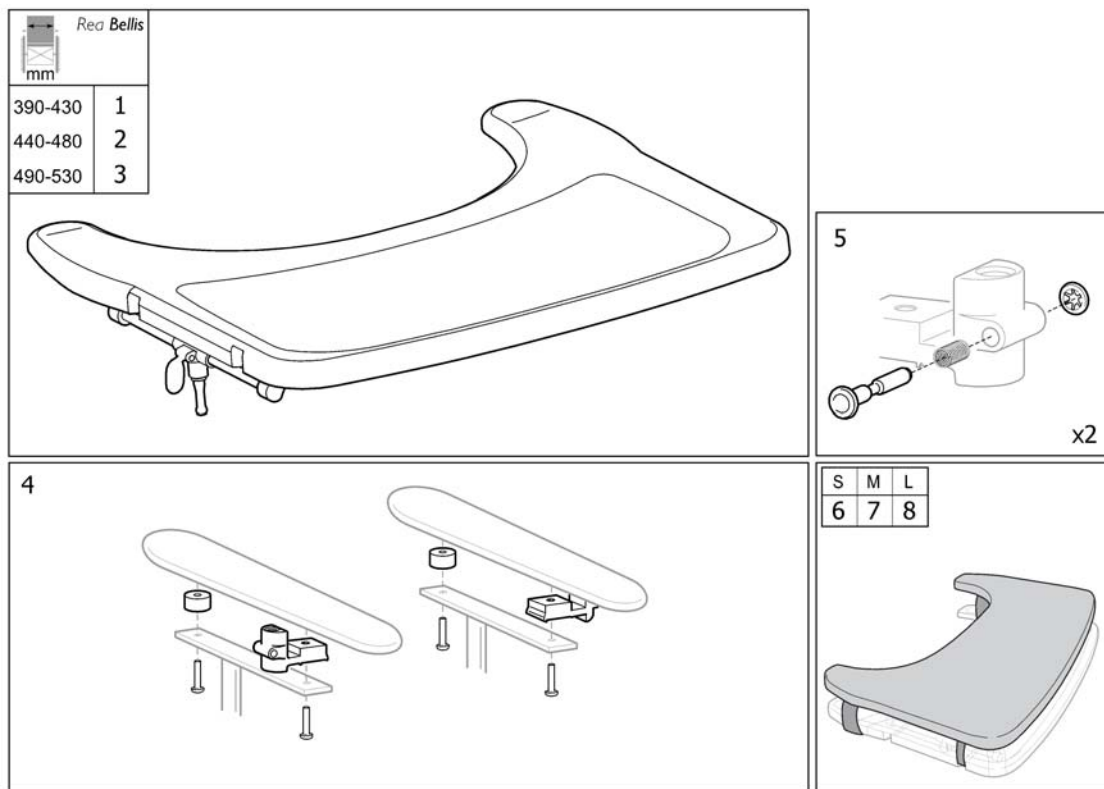
1

# (Trunk supports, Flex2)



|    |           |  |   |
|----|-----------|--|---|
| 1  | SP1445798 | (TRUNK SUPPORT, FIXED, CPL.)                                       | 1 |
| 2  | SP1492608 | (TRUNK SUPPORT, LE, EXTENDED, CPL. (ATTACHMENT INCL.))             | 1 |
| 3  | SP1492609 | (TRUNK SUPPORT, RI, EXTENDED, CPL. (ATTACHMENT INCL.))             | 1 |
| 4  | SP1448692 | (Lateral Support, multi adjustable - LH)                           | 1 |
| 5  | SP1484447 | (TRUNK SUPPORT, LE, MULTI ADJ. EXTENDED, CPL. (ATTACHMENT INCL.))  | 1 |
| 6  | SP1484448 | (TRUNK SUPPORT, RI, MULTI ADJ. EXTENDED, CPL. (ATTACHMENT INCL.))  | 1 |
| 7  | SP1448697 | (TRUNK SUPPORT, LE, SWINGAWAY, CPL. (ATTACHMENT INCL.))            | 1 |
| 8  | SP1448698 | (TRUNK SUPPORT, RI, SWINGAWAY, CPL. (ATTACHMENT INCL.))            | 1 |
| 9  | SP1530457 | (TRUNK SUPPORT, LE, MULTI ADJ. SWINGAWAY, CPL. (ATTACHMENT INCL.)) | 1 |
| 10 | SP1530456 | (TRUNK SUPPORT, RI, MULTI ADJ. SWINGAWAY, CPL. (ATTACHMENT INCL.)) | 1 |
| 11 | SP1445799 | (TRUNK SUPPORT)  | 1 |
| 12 | 1485420   | (TRUNK SUPPORT, LE, EXTENDED)                                      | 1 |
| 13 | 1485419   | (TRUNK SUPPORT, RI, EXTENDED)                                      | 1 |
| 14 | SP1444207 | (TRUNK SUPPORT, TR26, CPL.)  | 1 |
| 15 | 1485418   | (TRUNK SUPPORT, LE, MULTI ADJ. EXTENDED)                           | 1 |
| 16 | 1485417   | (TRUNK SUPPORT, RI, MULTI ADJ. EXTENDED)                           | 1 |
| 17 | 1451822   | Rea pelot wegzw.ex.bev. li Ass/Bel/Comf                            | 1 |
| 18 | 1451821   | Rea pelot wegzw.ex.bev. re Ass/Bel/Comf                            | 1 |
| 19 | SP1529225 | Rea pelot pad wegzw.li ps  | 1 |
| 20 | SP1529224 | Rea pelot wegzw.re ps  | 1 |
| 21 | 5253170   | Rea pelot bev.blok ps. Ass/Comf                                    | 1 |
| 22 | 1524903   | (Retainer, Trunk Support)  | 1 |
| 23 | SP1448728 | (Memory, Trunk support)  | 1 |
| 24 | 1437642   | Rea pelotarm beschermhoes dartex ps                                | 1 |

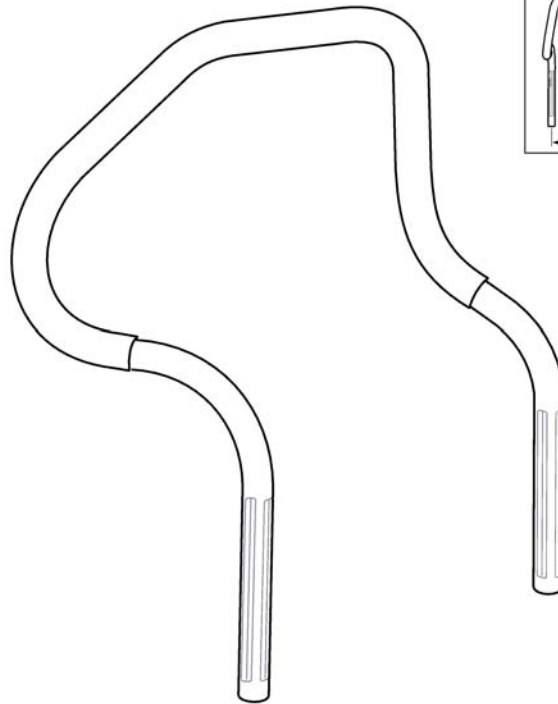
## (Table tray)



|   |           |                               |   |
|---|-----------|-------------------------------|---|
| 1 | SP1567517 | (TABLE TRAY SMALL)            | 1 |
| 2 | SP1567518 | (TABLE TRAY MEDIUM)           | 1 |
| 3 | SP1567519 | (TABLE TRAY LARGE)            | 1 |
| 4 | 5206650   | Rea werkbl.bev.set universeel | 1 |
| 5 | 1415416   | Activ werkblad vergr.cpl      | 1 |
| 6 | SP1570746 | (TABLE CUSHION, SMALL)        | 1 |
| 7 | SP1571269 | (TABLE CUSHION, MEDIUM)       | 1 |
| 8 | SP1571270 | (TABLE CUSHION, LARGE)        | 1 |

**(Push bar, Flex2)**

|               | SW (mm) |   |
|---------------|---------|---|
| <i>Bellis</i> | 410 (S) | 2 |
|               | 460 (M) | 3 |
|               | 510 (L) | 4 |
| <i>Azalea</i> | 390     | 1 |
|               | 440     | 2 |
|               | 490     | 3 |




|     |   |
|-----|---|
| 292 | 1 |
| 342 | 2 |
| 392 | 3 |
| 442 | 4 |

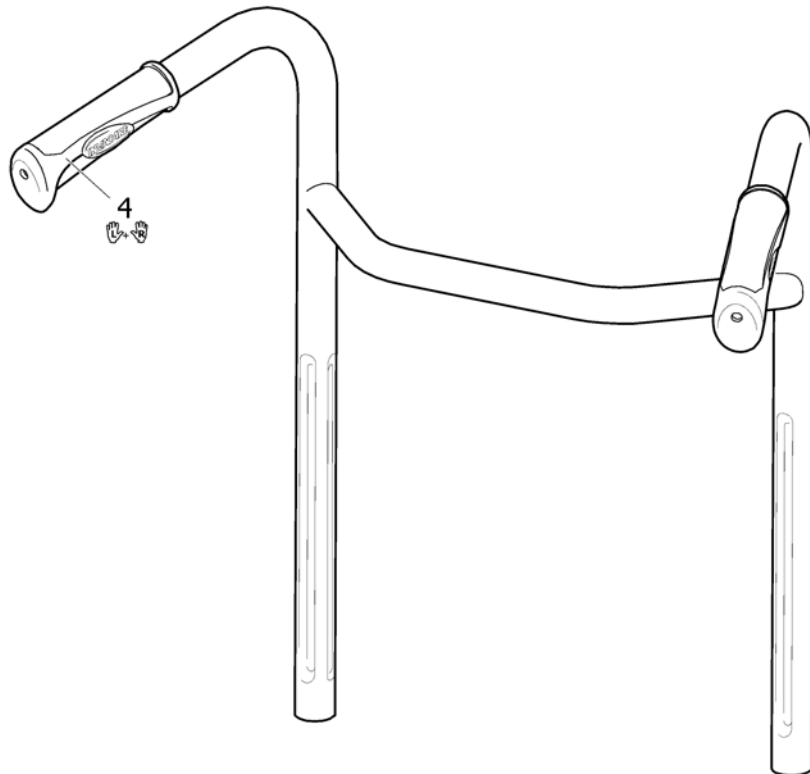
5255136

|   |         |                             |   |
|---|---------|-----------------------------|---|
| 1 | 1444350 | (PUSH BAR 292)              | 1 |
| 2 | 5255136 | \$ellis duwbeugel zb41 cp I | 1 |
| 3 | 5255137 | Bellis duwbeugel zb46 cp I  | 1 |
| 4 | 5255138 | \$ellis duwbeugel zb51 cp I | 1 |



**(Push handles, connected, Flex2)**

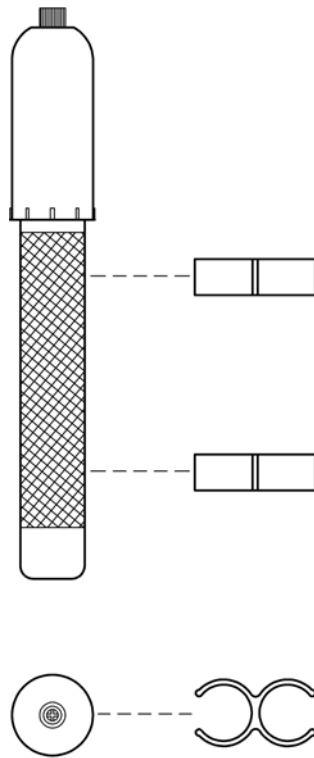
|   |   |
|---|---|
|  |   |
| SW (mm)   |   |
| 410   | 1 |
| 460   | 2 |
| 510   | 3 |



SFS1440085

|   |              |                                |   |
|---|--------------|--------------------------------|---|
| 1 | 1420008-0509 | Bellis duwh.h.v.+rugfix ZB44   | 1 |
| 2 | 1420009-0509 | Bellis duwh.h.v.+rugfix. zb46  | 1 |
| 3 | 1420010-0509 | \$ellis duwh.h.v.+rugfix. zb51 | 1 |
| 4 | SP1537634    | (HANDLE 22MM, PAIR)            | 1 |

# (Pump)



SPS575072€

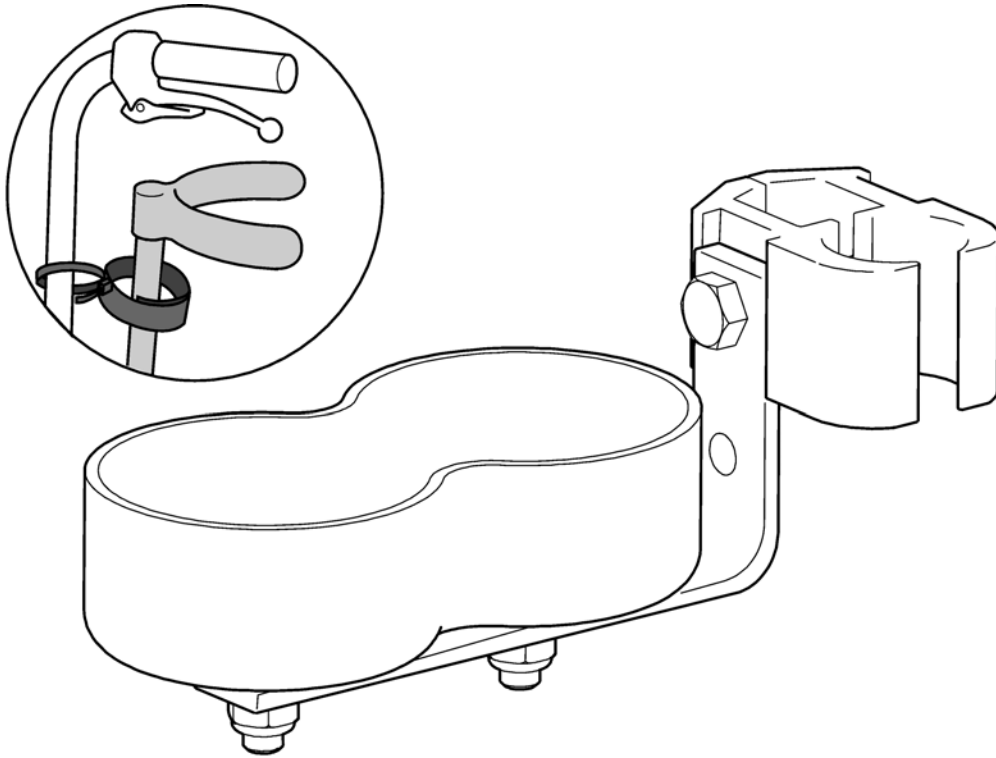
5750729

Rea pump model 97 ps

1

# (Crutch holder, Flex2 backrest)

1



SP55295015

1 5295015

Rea stokhouder 150/703

1



Yes, you can.®



---

**Belgium & Luxemburg:**

Invacare nv, Autobaan 22, B-8210 Loppem  
Tel: (32) (0)50 83 10 10, Fax: (32) (0)50 83 10 11  
belgium@invacare.com / www.invacare.be

**Denmark:**

Invacare A/S, Sdr. Ringvej 37, DK-2605 Brøndby  
Tel: (45) (0)36 90 00 00, Fax: (45) (0)36 90 00 01  
denmark@invacare.com / www.invacare.dk

**Deutschland:**

Invacare Aquatec GmbH, Alemannenstraße 10, D-88316 Isny  
Tel: (49) (0)75 62 7 00 0, Fax: (49) (0)75 62 7 00 66  
info@invacare-aquatec.com / www.invacare-aquatec.de

**European Distributor Organisation:**

Invacare, Kleiststraße 49, D-32457 Porta Westfalica  
Tel: (49) (0)57 31 754 540, Fax: (49) (0)57 31 754 541  
edo@invacare.com / www.invacare.eu.com

**España:**

Invacare SA, c/Areny s/n, Polígon Industrial de Celrà, E-17460 Celrà (Girona)  
Tel: (34) (0)972 49 32 00, Fax: (34) (0)972 49 32 20  
contactsp@invacare.com / www.invacare.es

**France:**

Invacare Poirier SAS, Route de St Roch, F-37230 Fondettes  
Tel: (33) (0)2 47 62 64 66, Fax: (33) (0)2 47 42 12 24  
contactfr@invacare.com / www.invacare.fr

**Ireland:**

Invacare Ireland Ltd, Unit 5 Seatown Business Campus, Seatown Road, Swords, County Dublin - Ireland  
Tel: (353) 1 810 7084, Fax: (353) 1 810 7085  
ireland@invacare.com / www.invacare.ie

**Italia:**

Invacare Mecc San s.r.l., Via dei Pini 62, I-36016 Thiene (VI)  
Tel: (39) 0445 38 00 59, Fax: (39) 0445 38 00 34  
italia@invacare.com / www.invacare.it

**Nederland:**

Invacare BV, Celsiusstraat 46, NL-6716 BZ Ede  
Tel: (31) (0)318 695 757, Fax: (31) (0)318 695 758  
nederland@invacare.com, csede@invacare.com / www.invacare.nl

**Norge:**

Invacare AS, Grensesvingen 9, Postboks 6230, Etterstad, N-0603 Oslo  
Tel: (47) (0)22 57 95 00, Fax: (47) (0)22 57 95 01  
norway@invacare.com, island@invacare.com / www.invacare.no

**Österreich:**

Invacare Austria GmbH, Herzog Odilostrasse 101, A-5310 Mondsee  
Tel: (43) 6232 5535 0, Fax: (43) 6232 5535 4  
info-austria@invacare.com / www.invacare.at

**Portugal:**

Invacare Lda, Rua Estrada Velha, 949, P-4465-784 Leça do Balio  
Tel: (351) (0)225 1059 46/47, Fax: (351) (0)225 1057 39  
portugal@invacare.com / www.invacare.pt

**Sverige & Suomi:**

Invacare AB, Fagerstagatan 9, S-163 91 Spånga  
Tel: (46) (0)8 761 70 90, Fax: (46) (0)8 761 81 08  
sweden@invacare.com, finland@invacare.com / www.invacare.se

**Switzerland:**

Invacare AG, Benkenstrasse 260, CH-4108 Witterswil  
Tel: (41) (0)61 487 70 80, Fax: (41) (0)61 487 70 81  
switzerland@invacare.com / www.invacare.ch

**United Kingdom:**

Invacare Limited, Pencoed Technology Park, Pencoed, Bridgend CF35 5AQ  
Switchboard Tel: (44) (0)1656 776200, Fax: (44) (0)1656 776201  
Customer services Tel: (44) (0)1656 776222, Fax: (44) (0)1656 776220  
uk@invacare.com / www.invacare.co.uk