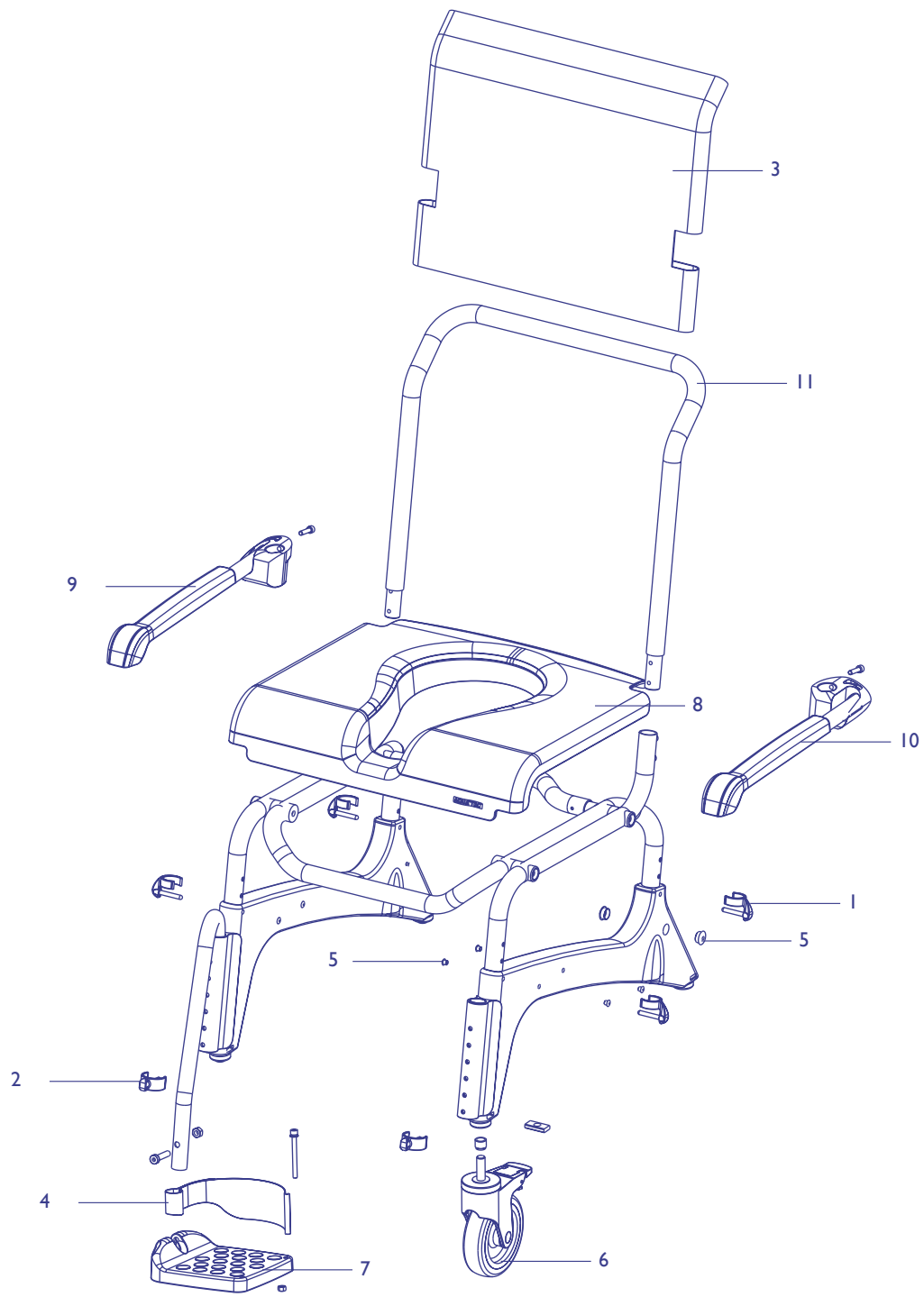




- 1
- 2
- 3
- 4
- 5
- 6
- 7
- 8
- 9
- 10
- 11
- 12

Shower- and toilet commode





1

2

3

4

5

6

7

8

9

10

11

12

Shower- and toilet commode

A:
 Invacare Mecc San s.r.l.
 Ufficio Commerciale
 Via dei Pini, 62
 36016 Thiene (VI)
 Italia

Telefax
 ++39 0445 380034

Cliente	Telefono
Indirizzo	Telefax
	Commento
	Ufficio commerciale

Serial number:

Pieces	No.	Order No.	Description
	1	16256	Clip side frame
	2	16333	Clip footrest
	3	16257	Adjustable backrest
	4	16334	Heel loops (pair)
	5	16258	Dummy plugs, set (8+4)
	6	16259	5" wheel
	7	16260	Footrest plates (pair)
	8	16262	Seat
	9	16263	Armrest right, incl. mounting parts
	10	16265	Armrest left, incl. mounting parts
	11	16377	Backrest, incl. mounted armrest
			Not illustrated
		16336	24" wheel
		16337	Hub
		16338	Quick release axle
		16339	Brake left
		16340	Brake right
		16278	User manual