



Yes, you can.®



Invacare® Alegio™

Spare Part List

CE

Table of Contents

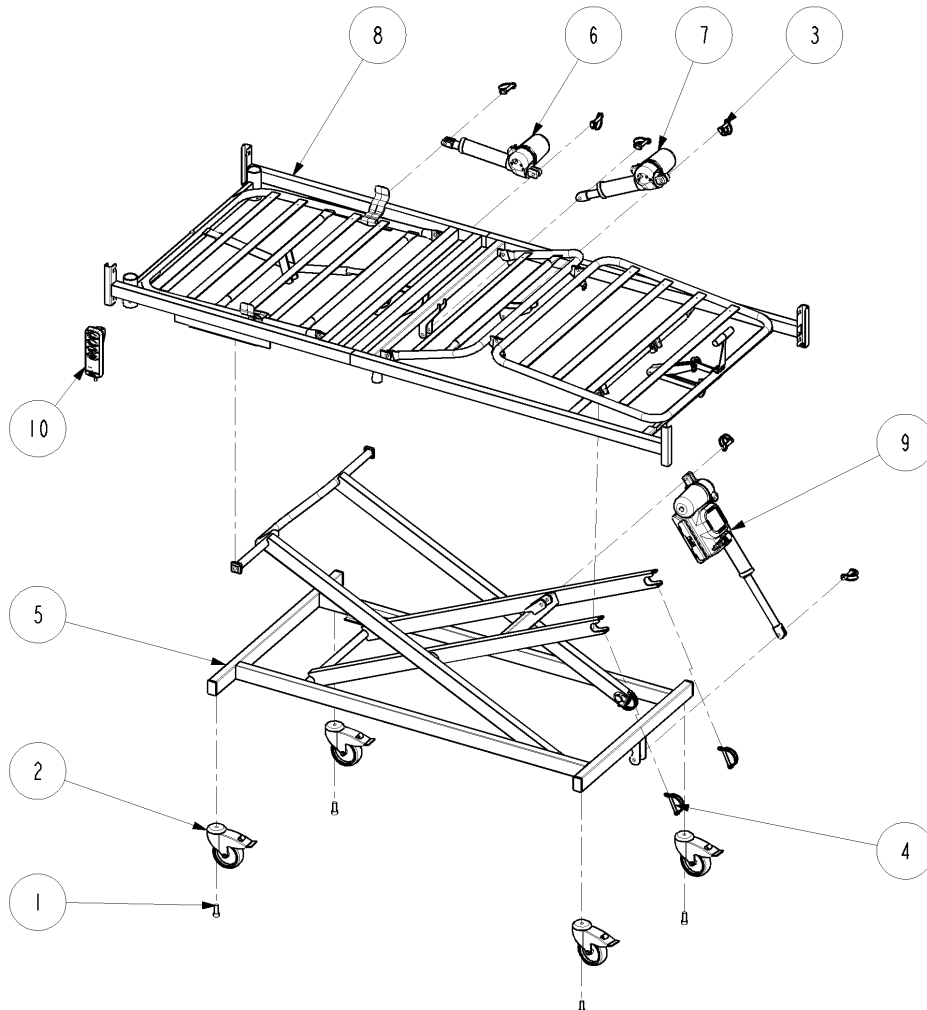
Alegio, 4 sectioned	4
Mattress support, 4 sectioned	5
Shear arm.	6
Alegio, 3 sectioned	7
Mattress support, 3 sectioned	8
Height adjustable legs.	9
Motor and control unit	10
Control unit	11
Support for hand control	12
Vibeke wooden bed, high - 1 pair.	13
Vibeke wooden bed, low and high - 1 pair.	14
Kirsty wooden bed end with slide bars - 1 pair.	15
Kirsty wooden bed end without slide bars - 1 pair.	16
Kirsty wooden bed end with slide bars - 1 pair.	17
Kirsty wooden bed end without slide bars - 1 pair.	18
Nina wooden side rail - 1 pair.	19
Verso steel side rail - 1 pair	20
IV drip rod	21
Lifting pole	22
Transport trolley.	23

Alegio, 4 sectioned

Ident. no.: ALEGIO.XXXX.XX

February 2006

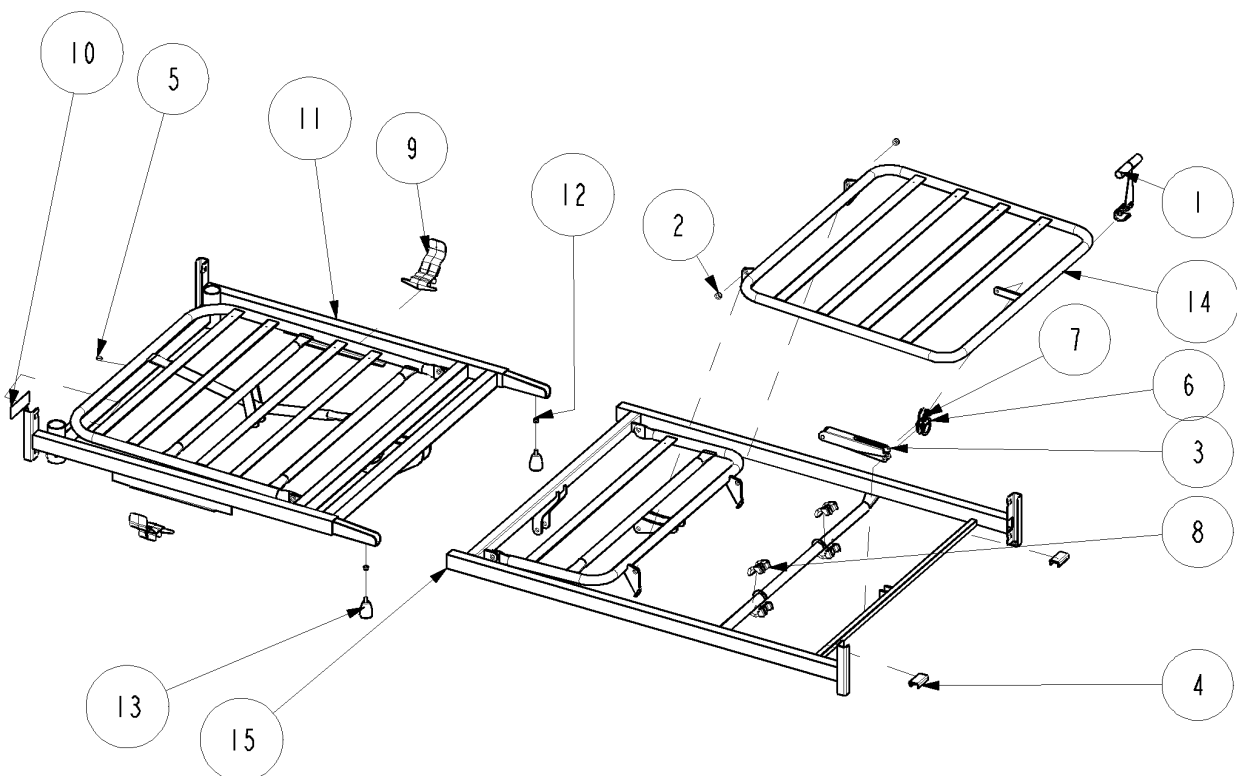
Pos.	Qty.	Ident. no.:	Description
1	4	803066	Screw M12X30
2	1	818383	Braking castor – Ø100
		6790033	Braking castor – Ø125
		1450373	Braking castor – Ø150
3	4	819411	Pipe pin Ø10X50
4	2	819456	Pipe pin Ø8X60
5	1	1427597-XXXX	Shear assembly
6	1	1451430	Motor
7	1	1451440	Motor
8	1		Mattress support, 4 sectioned
9	1	1451876	Motor and control unit, EU
		1451878	Motor and control unit, AUS
		1451879	Motor and control unit, UK
10	1	1451907	Hand control
		1451429	Hand control with blocking function



Mattress support, 4 sectioned

February 2006

Pos.	Qty.	Ident. no.:	Description
1	1	217996-XXXX	Mattress support handle
2	2		Tubular rivet (can be replaced by 1435195)
3	1	418467	Rastofix bracket
4	2	422164	U-border strip
5	1	806775	Rubber pad
6	1	1417415	Pipe pin Ø8X40
7	1	1417416	Pipe pin Ø6X32
8	4	1423842	Rotate bush
9	2	1423980	Mattress retainer
10	1		Identification label
11	1	1427599-XXXX	Top frame with back rest (bed with shear base)
		1446365-XXXX	Top frame with back rest (bed with legs)
12	2	1434023	Blind rivet nut M8X19
13	2	1435325-XXXX	M8 handle
14	1	1441380-XXXX	Leg section
15	1	1443917-XXXX	Top frame with thigh section (bed with shear base)
		1446366-XXXX	Top frame with thigh section (bed with legs)
14+15	1	1492145-XXXX	Top frame with thigh and leg section (bed with shear base)
14+15	1	1492146-XXXX	Top frame with thigh and leg section (bed with legs)

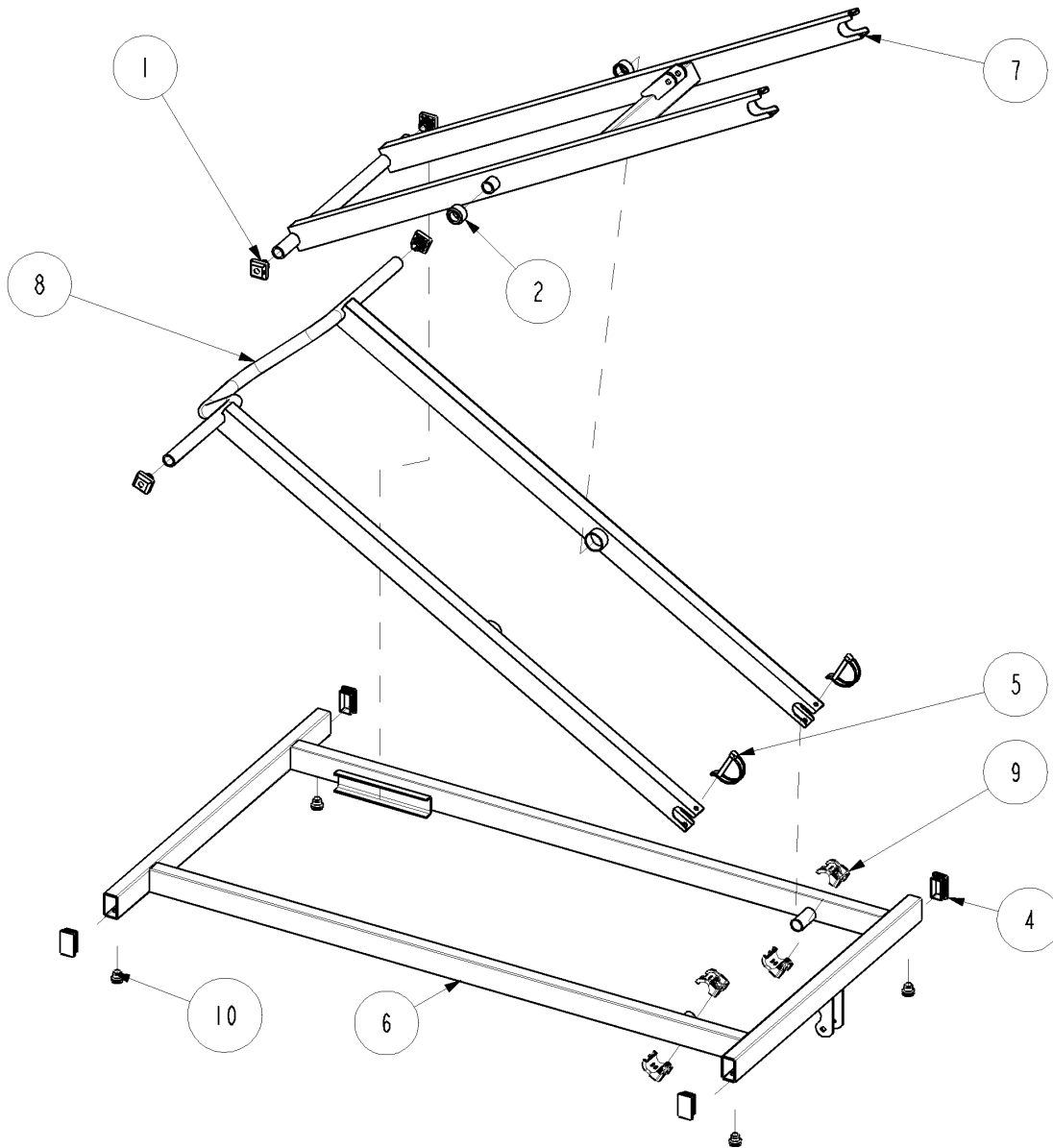


Shear arm

Ident. no.: I427597-XXXX

February 2006

Pos.	Qty.	Ident. no.:	Description
1	4	319155-XXXX	Slide shoe
2	2	421837-XXXX	Bearing bush $\text{\O}33,5 \times \text{\O}25,1$
4	4	819404-XXXX	Ferrule 50X30X3 inside
5	2	819456	Pipe pin $\text{\O}8 \times 60$
6	1	I423745-XXXX	Base
7	1	I423749-XXXX	Inner shear arm
8	1	I423750-XXXX	Outer shear arm
9	4	I423842	Turnable bush
10	4	I427650	Blind rivet nut M8X19

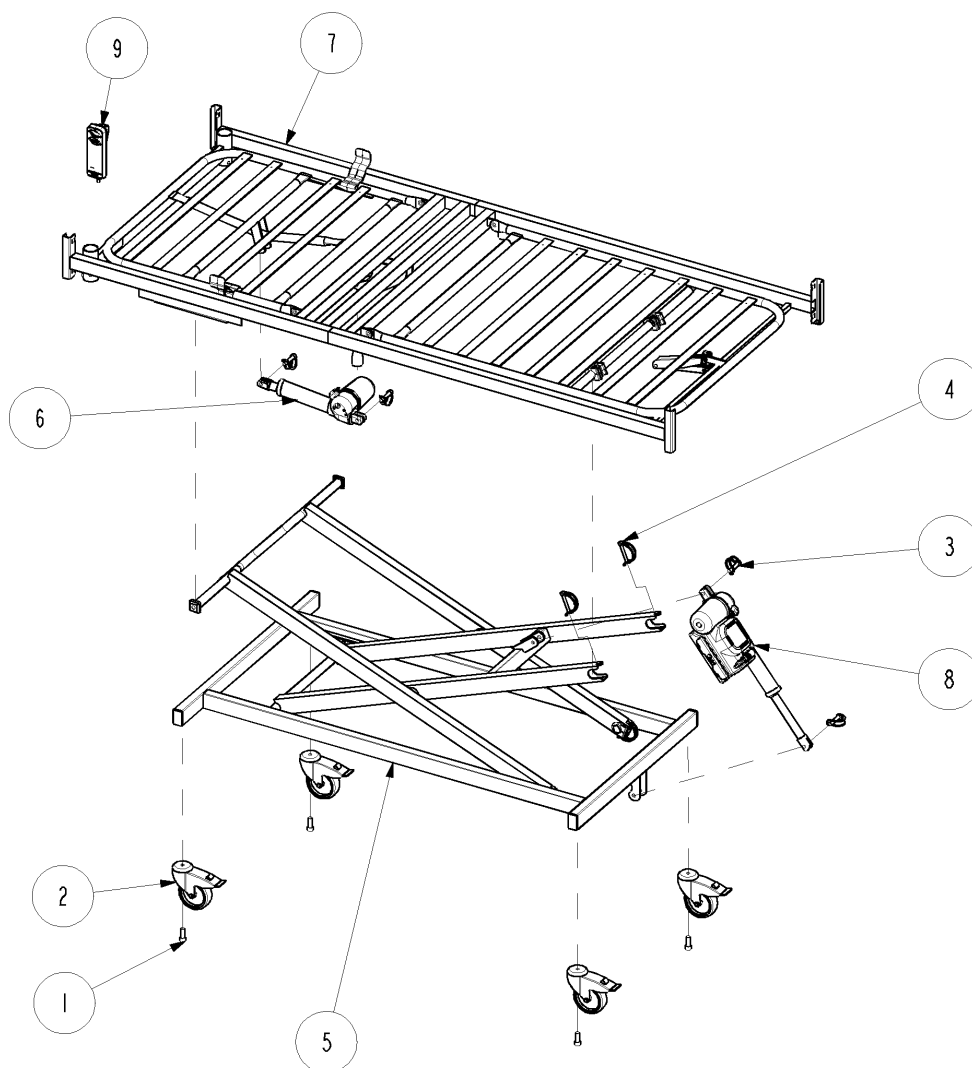


Alegio, 3 sectioned

Ident. no.: ALEGIO.XXXX.XX

February 2006

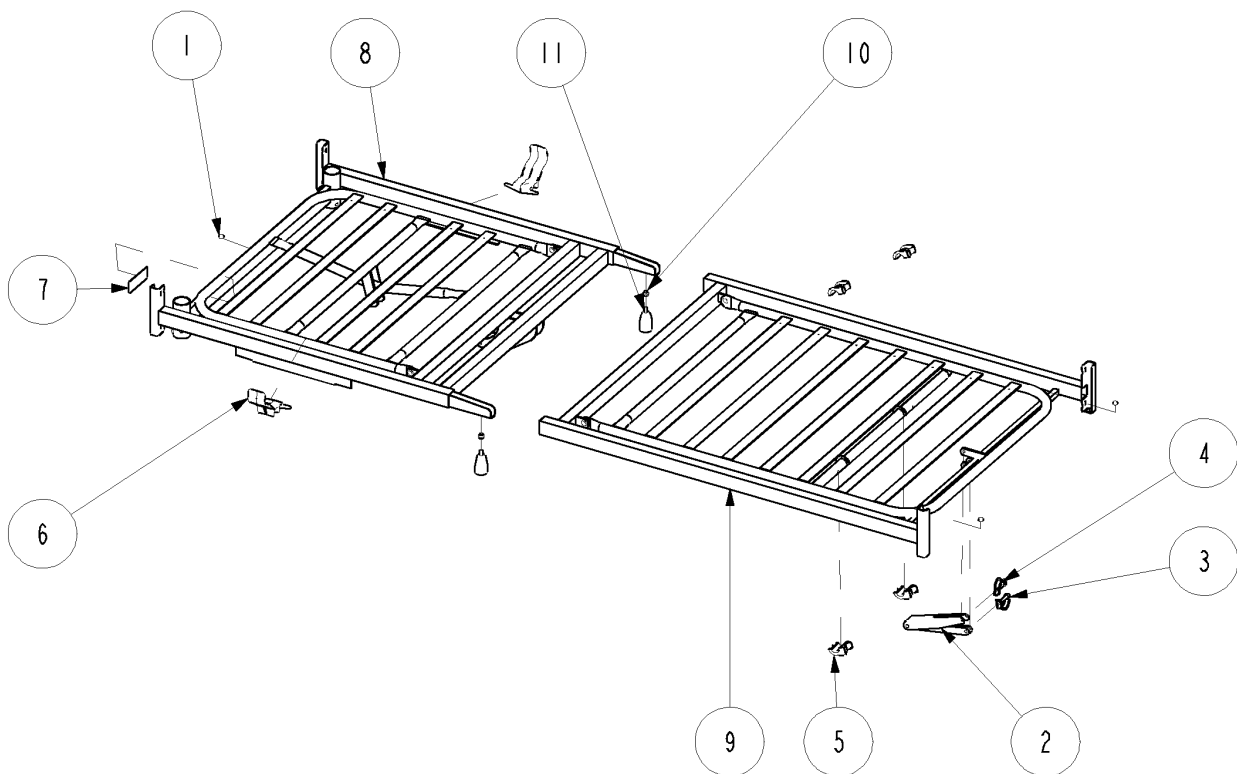
Pos.	Qty.	Ident. no.:	Description
1	4	803066	Screw M12X30
2	1	818383	Braking castor – Ø100
		6790033	Braking castor – Ø125
		1450373	Braking castor – Ø150
3	4	819411	Pipe pin Ø10X50
4	2	819456	Pipe pin Ø8X60
5	1	1427597-XXXX	Shear assembly
6	1	1451430	Motor
7	1		Mattress support, 3 sectioned
8	1	1451876	Motor and control unit, EU
		1451878	Motor and control unit, AUS
		1451879	Motor and control unit, UK
9	1	1451906	Hand control
		1451428	Hand control with blocking function



Mattress support, 3 sectioned

February 2006

Pos.	Qty.	Ident. no.:	Description
1	3	806775	Rubber pad
2	1	817205	Rastofix bracket
3	1	1417416	Pipe pin Ø6X32
4	1	1417415	Pipe pin Ø8X40
5	4	1423842	Rotate bush
6	2	1423980	Mattress retainer
7	1		Identification label
8	1	1427599-XXXX	Top frame, backrest
9	1	1427600-XXXX	Top frame, thigh
10	2	1434023	Blind rivet nut M8X19
11	2	1435325-XXXX	M8 handle

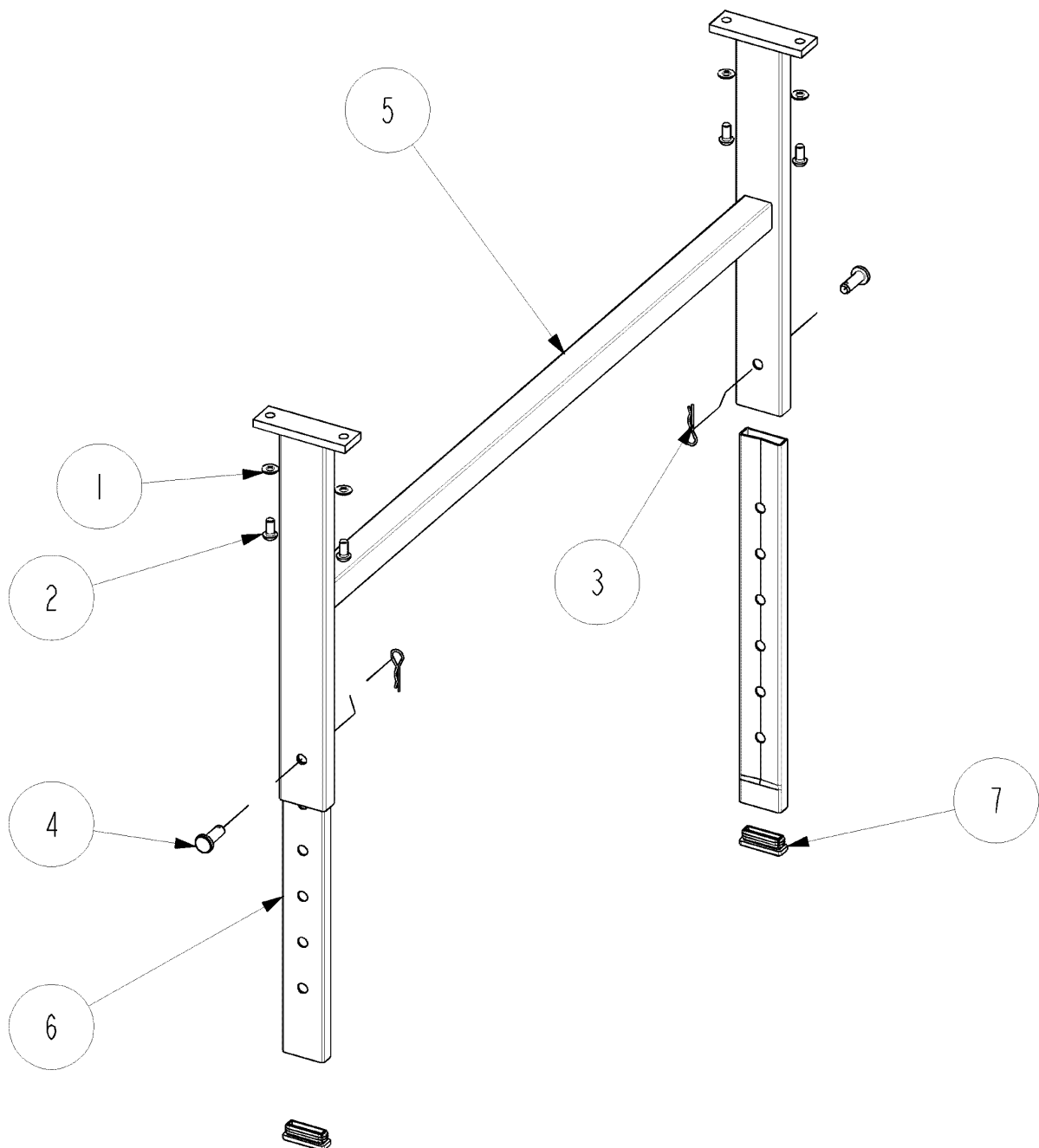


Height adjustable legs

Ident. no.: I448634-XXXX

February 2006

Pos.	Qty.	Ident. no.:	Description
1	4	804200	Washer M8
2	4	806645	Screw M8X16
3	2	816427	Spring pin Ø2
4	2	819468	Clevis pin Ø10X30X26
5	1	I446223-XXXX	Leg for top frame
6	2	I446224-XXXX	Inner tube for top frame
7	2	I446226-XXXX	Ferrule, inner, 45X15X1,5



Motor and control unit

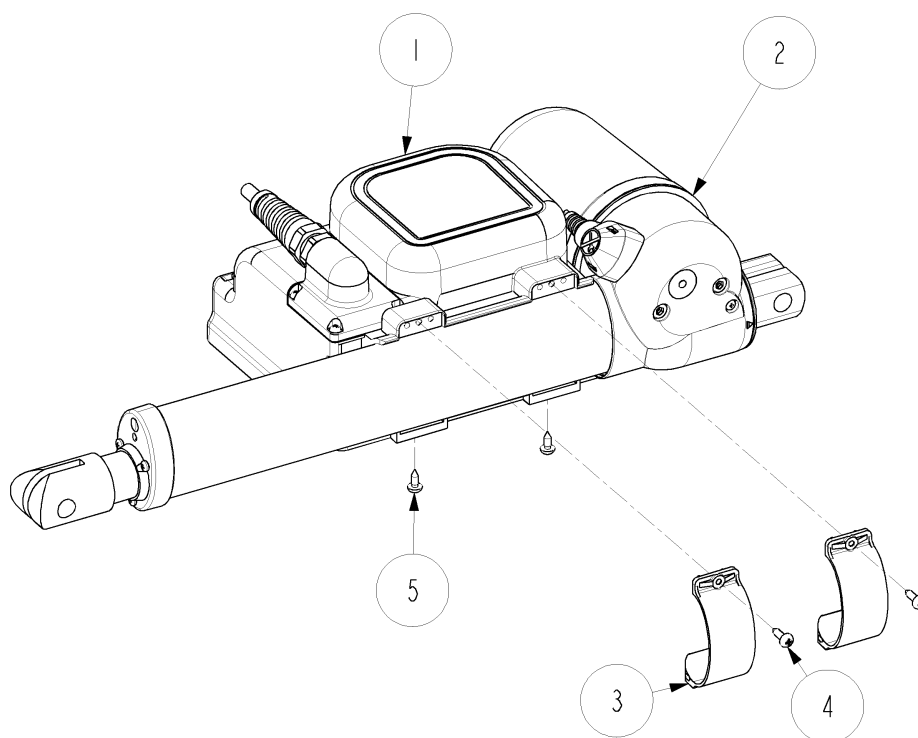
Ident. no.: 1451876 (EU)

Ident. no.: 1451878 (AUS)

Ident. no.: 1451879 (UK)

February 2006

Pos.	Qty.	Ident. no.:	Description
1	1	1451151	Control unit, EU
		1451669	Control unit, AUS
		1451668	Control unit, UK
2	1	1451157	Height motor, Dewert
3	2	1451269	Mounting clamp
4	2	1451271	Screw Ø3,9X13 PH2
5	2	1451273	Screw Ø3,9X9.5 PH2



Control unit

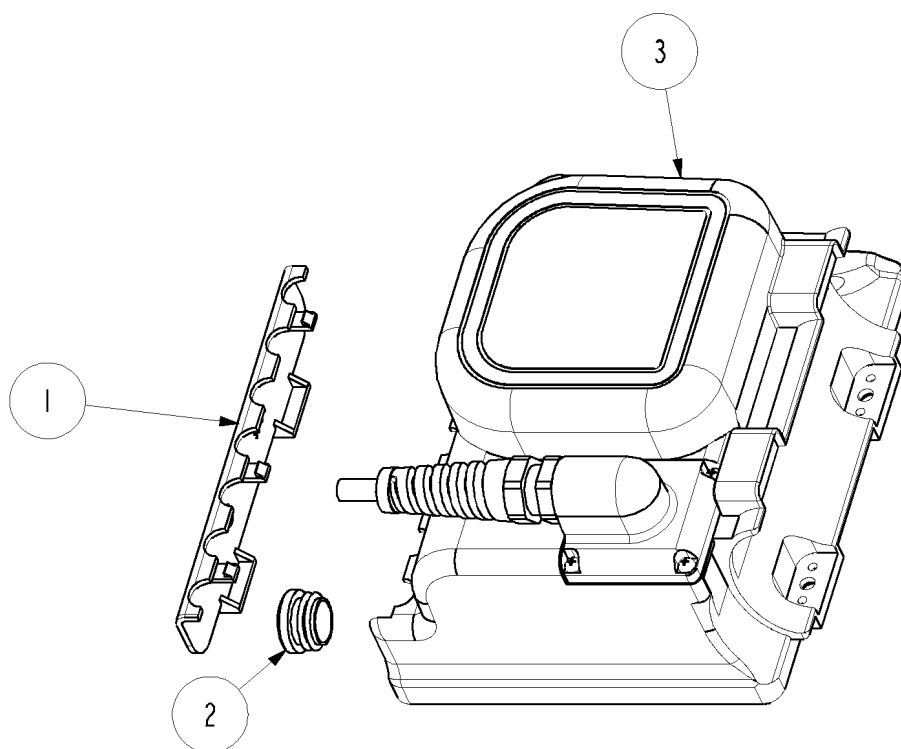
Ident. no.: 1451151 (EU)

Ident. no.: 1451669 (AUS)

Ident. no.: 1451668 (UK)

February 2006

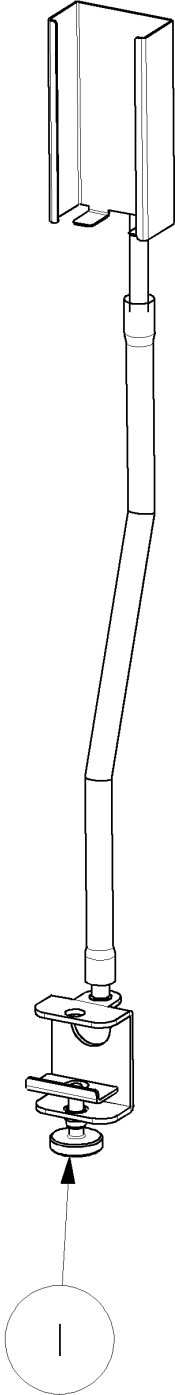
Pos.	Qty.	Ident. no.:	Description
1	1	1451146	Locking cam
2	1-4	1451148	Plug
1+2+3	1		Control unit, EU
			Control unit, AUS
			Control unit, UK



Support for hand control

February 2006

Pos.	Qty.	Ident. no.:	Description
1	1	1451252-XXXX	Support for hand control

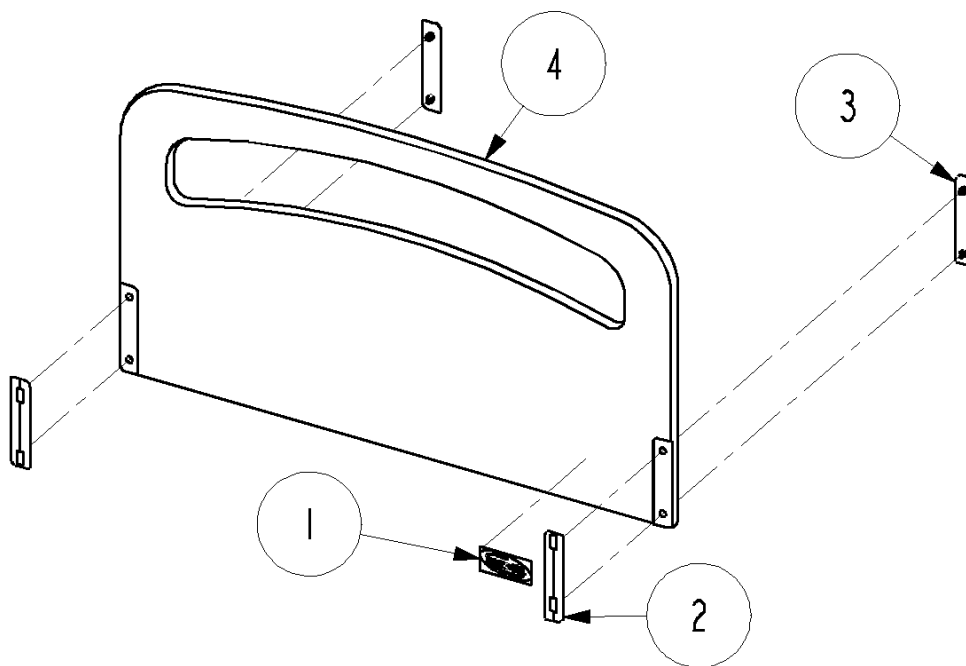


Vibeke wooden bed, high - 1 pair

Ident. no.: I427649-XXXX

February 2006

Pos.	Qty.	Ident. no.:	Description
1	2		Label with Invacare logo
2	2		Bed end plate
3	4	I433819	Plastic insert
4	4	I433824	Plastic insert

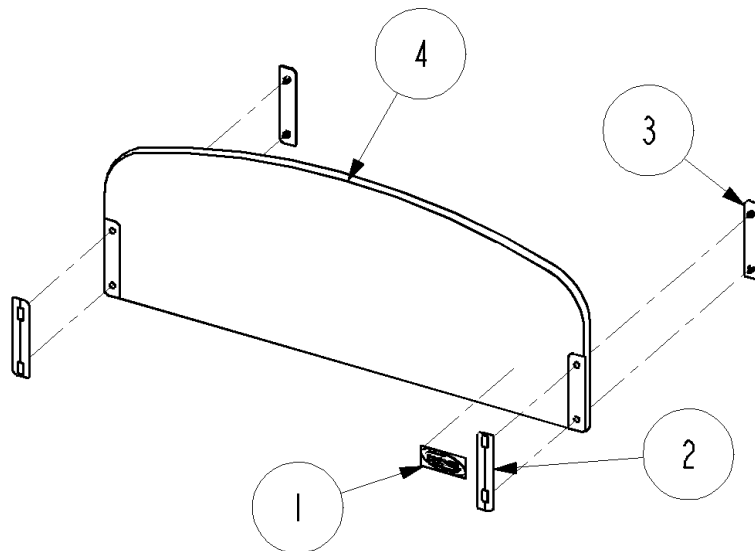
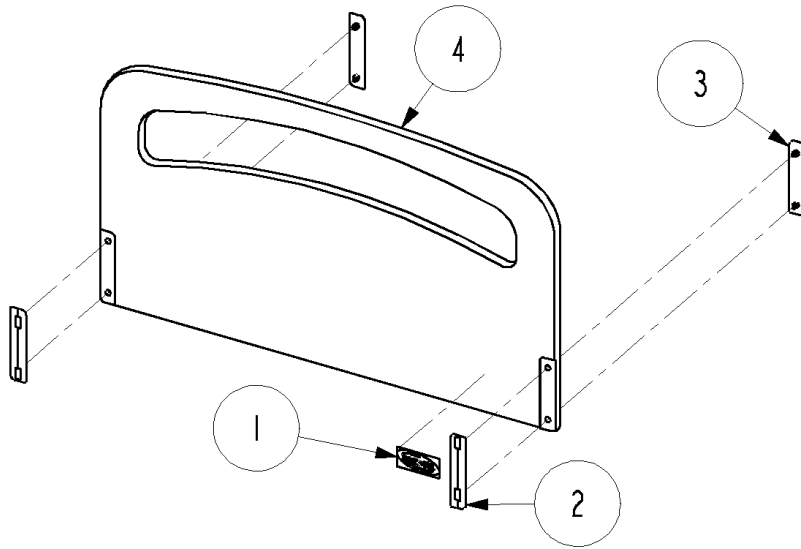


Vibeke wooden bed, low and high - 1 pair

Ident. no.: 1446251-XXXX

February 2006

Pos.	Qty.	Ident. no.:	Description
1	2		Label with Invacare logo
2	4	1433819	Plastic insert
3	4	1433824	Plastic insert
4	1		Bed end plate, high
			Bed end plate, low

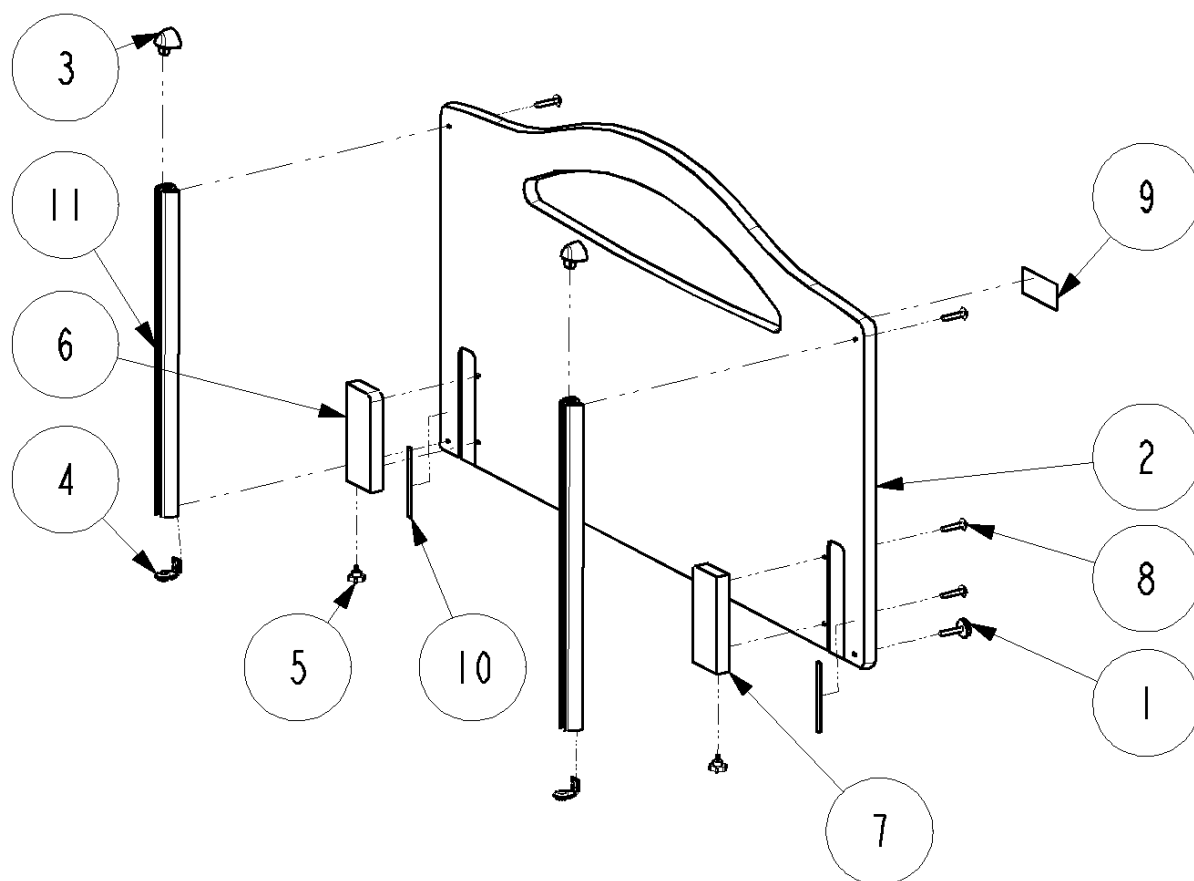


Kirsty wooden bed end with slide bars - 1 pair

Ident. no.: 1435245-XXXX

February 2006

Pos.	Qty.	Ident. no.:	Description
1	4	818322	Adjusting screw M6X40
2	2		Bed end plate
3	4	317882	Slide bar end plug
4	4	1441437	End stop with buffer
5	4	1435176	Finger screw M4X10
6	2		Fixation plate, left
7	2		Fixation plate, right
8	12		Furniture screw M6X35
9	2		Label with Invacare logo
10	4		Tape piece 100X9
11	4		Slide bar with nut

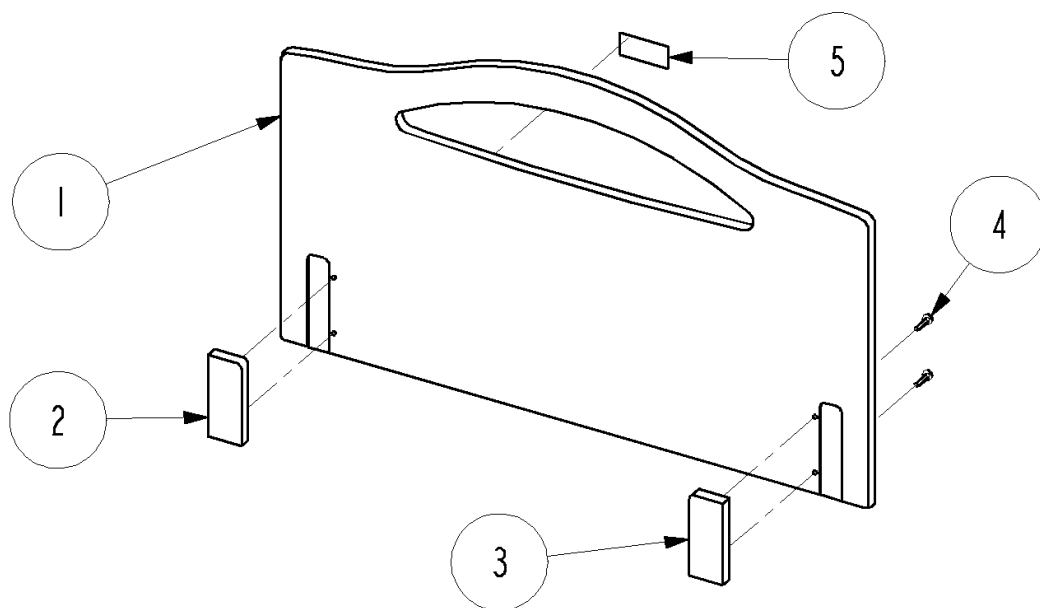


Kirsty wooden bed end without slide bars - 1 pair

Ident. no.: I435271-XXXX

February 2006

Pos.	Qty.	Ident. no.:	Description
1	2		Bed end plate
2	2		Fixation plate, left
3	2		Fixation plate, right
4	8		Furniture screw M6X35
5	2		Label with Invacare logo

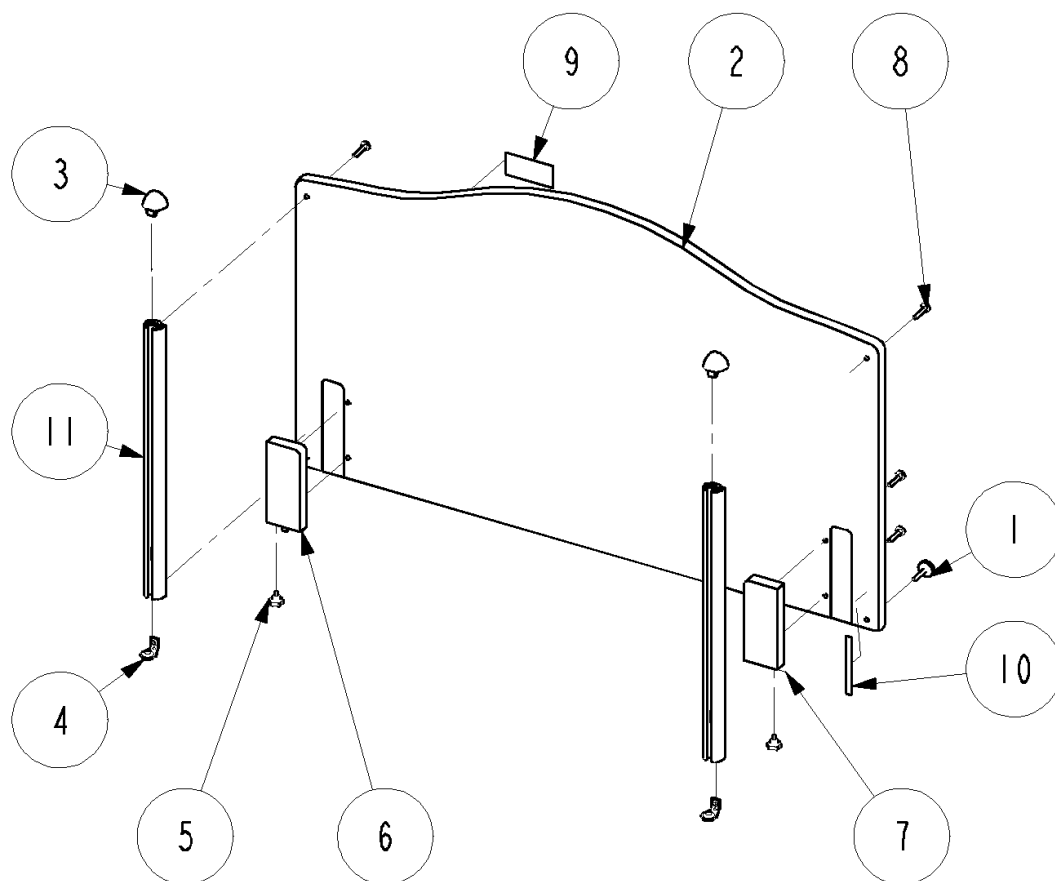


Kirsty wooden bed end with slide bars - 1 pair

Ident. no.: 1446253-XXXX

February 2006

Pos.	Qty.	Ident. no.:	Description
1	4	818322	Adjusting screw M6X40
2	2		Bed end plate
3	4	317882	Slide bar end plug
4	4	1441437	End stop with buffer
5	4	1435176	Finger screw M4X10
6	2		Fixation plate, left
7	2		Fixation plate, right
8	12		Furniture screw M6X35
9	2		Label with Invacare logo
10	4		Tape piece 100X9
11	4		Slide bar with nut

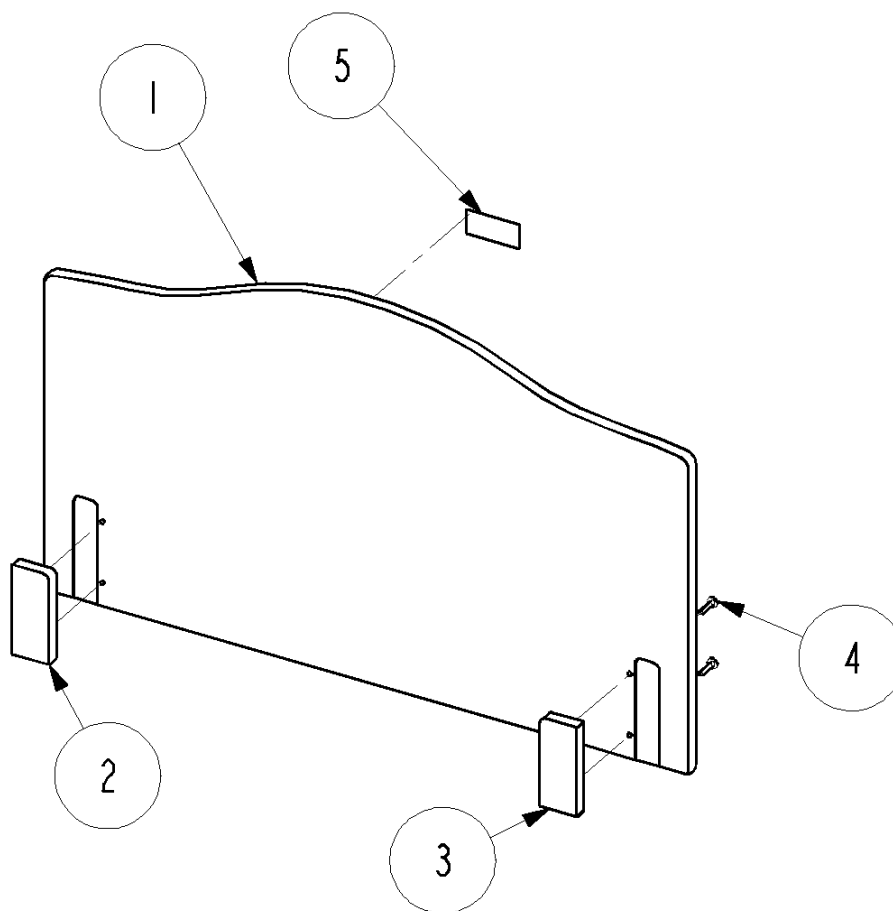


Kirsty wooden bed end without slide bars - 1 pair

Ident. no.: I449717-XXXX

February 2006

Pos.	Qty.	Ident. no.:	Description
1	2		Bed end plate
2	2		Fixation plate, left
3	2		Fixation plate, right
4	8		Furniture screw M6X35
5	2		Label with Invacare logo

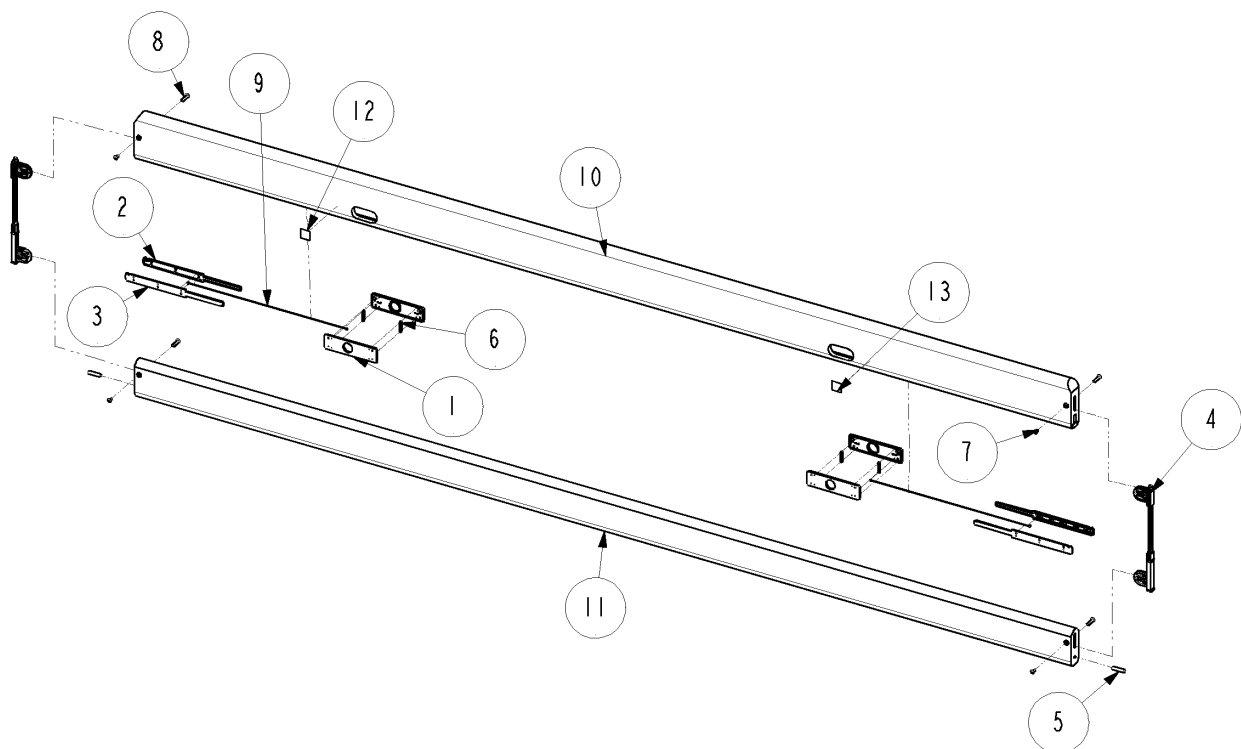


Nina wooden side rail - 1 pair

Ident. no.: I435246-XXXX

February 2006

Pos.	Qty.	Ident. no.:	Description
1	8		Finger release
2	4		Ratchet, left
3	4		Ratchet, right
4	4	319137	Slide runner
5	4	413766	Pivot
6	8		Rubber inlay
7	8	812367	Screw, male
8	8	817265	Screw, female
9	4		Wire for release function
10	2		Upper wooden side rail
11	2		Lower wooden side rail
12	2		Label for release function
13	2		Label for release function
	1	020024	Repair set (contains 2+3+9: 4 pcs. and 1+ 6: 8 pcs.)



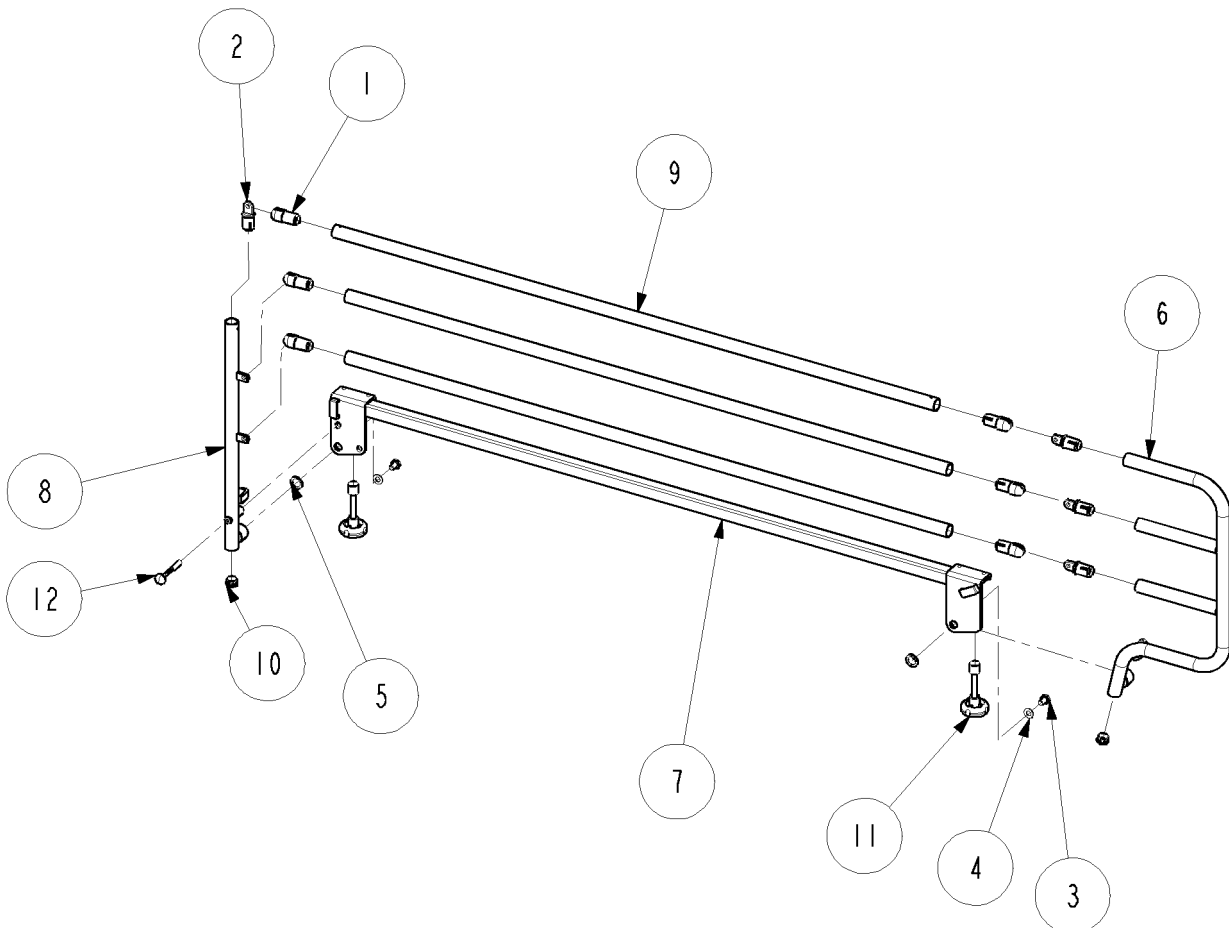
Verso steel side rail - 1 pair

Ident. no.: 63.SDRV00BG

February 2006

Pos.	Qty.	Ident. no.:	Description
1	12		Hinge joint, female
2	8		Hinge joint, male
3	4		Screw M10X16
4	4		Washer Ø10
5	4		Washer Ø26X1,4
6	1		Curved stanchion, left
			Curved stanchion, right
7	1		Lower tube for left side rail
			Lower tube for right side rail
8	1		Straight stanchion, left
			Straight stanchion, right
9	6		Side rail tube
10	4		Ferrule, Ø25
11	4	1441102	Finger screw M10 (includes 1441099)
12	2	1441101	Locking pin with spring (includes 1441098)
11	4	1441099	Plastic bushing for finger screw M10
12	2	1441098	Button for locking pin with spring

Left side rail shown on illustration



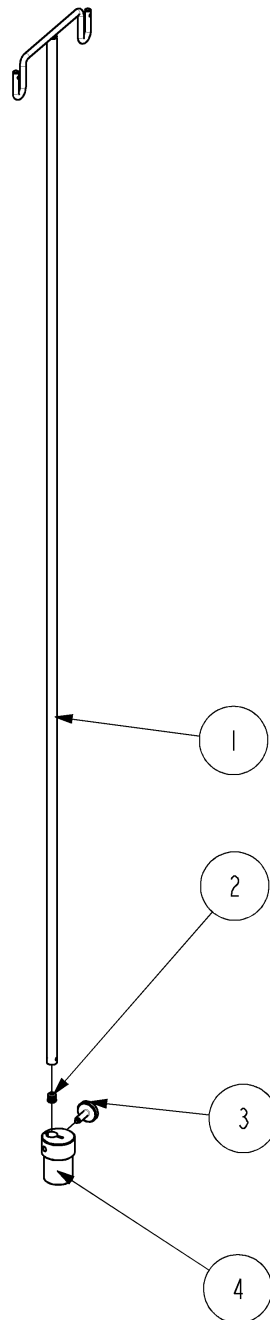
IV drip rod

Ident. no.: 50.60030.XX (drip rod bar with ferrule)

Ident. no.: 50.60910.XX (support with screw)

February 2006

Pos.	Qty.	Ident. no.:	Description
1	1		IV drip rod bar
2	1	804409	Ferrule
3	1	405049	Screw M8X25
4	1	420681	Support for IV drip rod

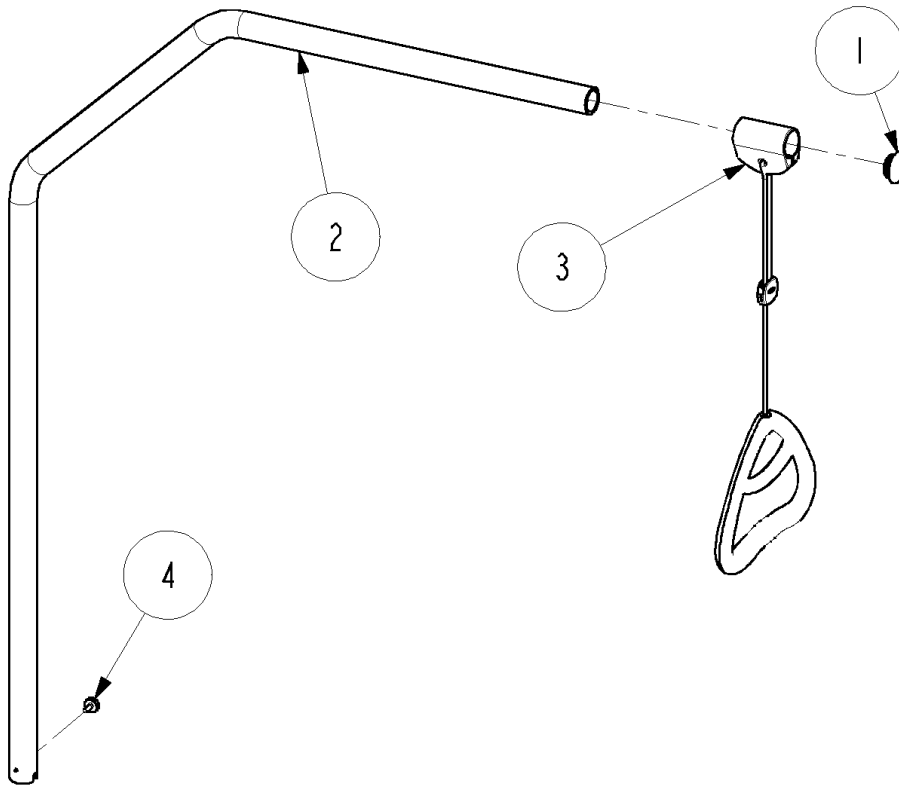


Lifting pole

Ident. no.: 50.57600.XX

February 2006

Pos.	Qty.	Ident. no.:	Description
1	1	317836	Plug for lifting pole
2	1		Lifting pole tube
3	1	320597	Lifting pole handle with cord
4	1	803979	Adjusting screw M6X16

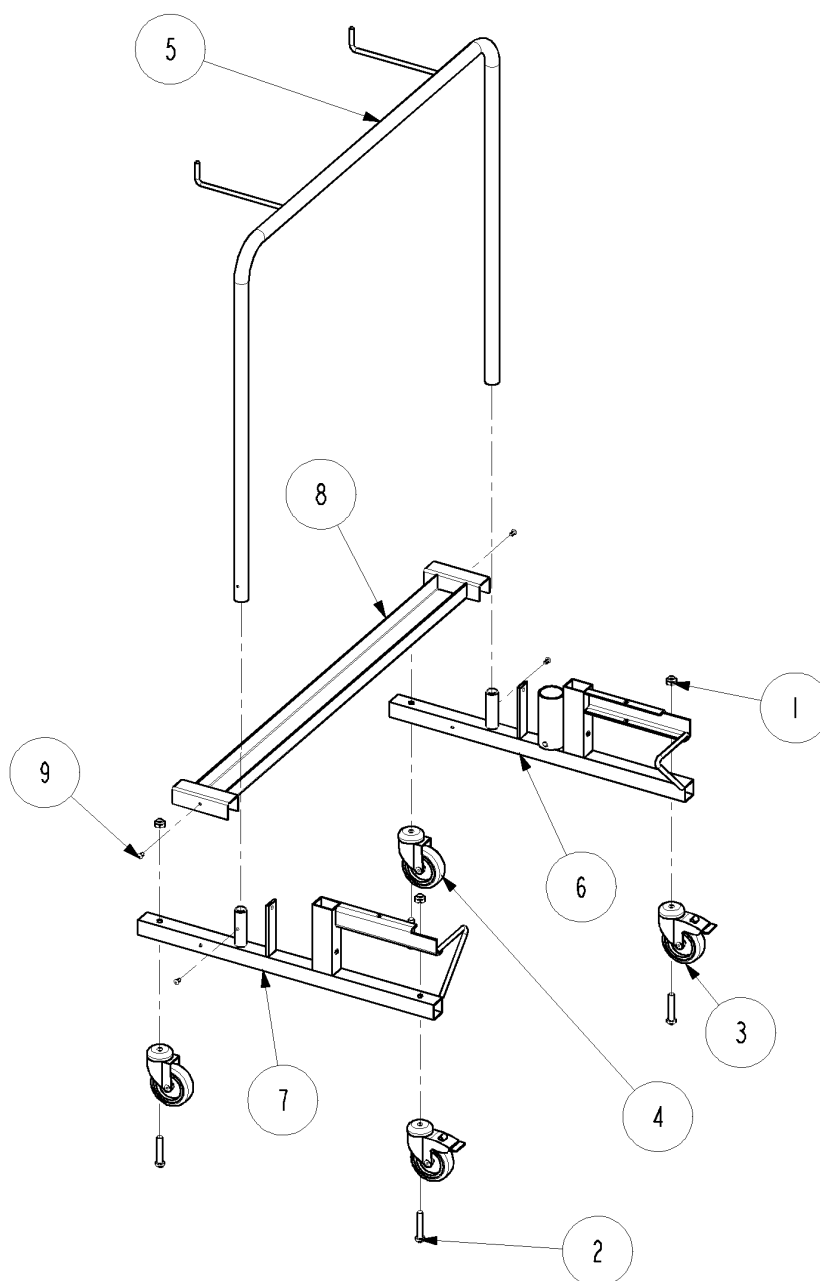


Transport trolley

Ident. no.: 1449720-0152

February 2006

Pos.	Qty.	Ident. no.:	Description
1	4		Nut M10
2	4	1417702	Screw M10X50
3	2	1446257	Wheel with locking function, Ø75
4	2	1446258	Wheel, Ø75
5	1		Tube frame
6	1		Side frame
7	1		Side frame
8	1		Bottom rail
9	4		Rivet Ø4,8X12





Customer Sales and Service

Denmark

INVACARE A/S

Sdr. Ringvej 39
DK-2605 Brøndby
Phone: +45 36 90 00 00
Fax: +45 36 90 00 01
www.invacare.dk
denmark@invacare.com

Sweden & Finland

INVACARE AB

Fagerstagatan 9 / Box 66
S-163 91 Spånga
Phone: +46 8 761 70 90
Fax: +46 8 761 81 08
www.invacare.se
sweden@invacare.com

Norway & Iceland

INVACARE AS

Grensesvingen 9
Postbox 6230 Etterstad
N-0603 Oslo
Phone: +47 22 57 95 00
Fax: +47 22 57 95 01
www.invacare.no
norway@invacare.com

Spain

INVACARE S.A.

C/Areny s/n
Poligon Industrial de Celrà
E-17460 Celrà (Girona)
Phone: +34 972 49 32 00
Fax: +34 972 49 32 20
www.invacare.es
contactsp@invacare.com

Invacare® EC-Høng A/S

Ident. no.: 1441392

Version 08 03.2006

Belgium & Luxemburg

INVACARE N.V.

Autobaan 14
B-8210 Loppem, Brügge
Phone: +32 50 83 10 10
Fax: +32 50 83 10 11
www.invacare.be
belgium@invacare.com

Netherlands

INVACARE B.V.

Celsiusstraat 46
NL-6716 BZ Ede
Phone: +31 318 695 757
Fax: +31 318 695 758
www.invacare.nl
care@invacare.com

Germany

Aquatec GmbH

Alemannenstrasse 10
88316 Isny
Phone: +49 (0) 75 62 700 0
Fax: +49 (0) 75 62 700 66
www.aquatec.de
info@aquatec.de

Portugal

INVACARE Lda

Rua Senhora de Campanhã 105
4369-001 Porto
Phone: +351 225 1059 46/47
Fax: +351 225 1057 39
portugal@invacare.com

Australia

INVACARE Australia Pty Ltd

1 Lenton Place
North Rocks
NSW 2151
Phone: +61 2 8839 5333
Fax: +61 2 8839 5353
www.invacare.com.au
sales@invacare.com.au

France

INVACARE Poirier S.A.S

Route de St Roch
F-37230 Fondettes
Phone: +33 2 47 62 64 66
Fax: +33 2 47 42 12 34
www.invacare.fr
contactfr@invacare.com

Italy

INVACARE MECC SAN S.R.L.

Via dei Pini 62
I-36016 Thiene (VI)
Phone: +39 0445 38 00 59
Fax: +39 0445 38 00 34
www.invacare.it
italia@invacare.com

United Kingdom & Ireland

INVACARE LTD

South Road
Bridgend Industrial Estate
UK-Bridgend, CF31 3PY
Phone: +44 1 656 664 321
Fax: +44 1 656 667 532
www.invacare.co.uk
uk@invacare.com

New Zealand

INVACARE NZ

4 Westfield Place,
Mt. Wellington
Auckland
Phone: +64 9 917 3939
Fax: +64 9 917 3957
www.invacare.co.nz
sales@invacare.co.nz

Hatfield
2/122 Taradale Road
Napier
Phone: +64 6 843 3119
Fax: +64 6 843 3445
sales@hatfield.co.nz

Manufacturer:



QUALITY SYSTEM
DS/EN ISO 9001
DS/EN ISO 13485

INVACARE EC-Høng A/S

Østergade 3
DK-4270 Høng
www.invacarebeds.dk