



NEW

Invacare®

Action[®]4
NG

Stylish and stable with outstanding
functionality



The new and improved **Action⁴_{NG}** has been redesigned with a weight reduction of nearly 1 kg and maintains its outstanding functionality. Featuring a double cross brace system, the **Action⁴_{NG}** now offers a more stable, easier drive. Enhanced with lightweight options and accessories to reduce energy consumption and aids effortless propulsion, this new quality design is echoed throughout the range with its high cross-compatibility.

- **Much lower, overall product weight**
- **Improved functionality and new options**
- **Updated design with an increased colour range**



Significant weight reduction

Without compromising on the functionality - or limiting the flexibility of adjusting the wheelchair - the weight of the **Action⁴_{NG}** has been reduced by nearly 1 kg. This is, in part, thanks to a new lightweight castor housing design and an optimised rearwheel attachment which are both made out of aluminum. This weight reduction makes the **Action⁴_{NG}** easier to propel and lift in and out of the car for transportation.

Attention to detail

A new fork design provides a lighter look, the backrest upholstery has improved style and the new, fresh frame colours give the **Action⁴_{NG}** a sleek new look to complement individual personalities.

Improved functionality

New, cleverly designed features make the **Action⁴_{NG}** even easier to use. An added lever to the swing away armrest makes it easier to release and transfer out of the wheelchair, whilst at the same time the sideguard design has been optimised with a cut-out section and foam grip to allow a smoother transfer (on the height adjustable version).

Optimum comfort can now be achieved with the new intuitive stepless angle adjustable backrest and newly designed bi-material shaped cover.

Therefore creating the perfect fit backrest angle (-15° - +15°) for the individual and ensuring all round comfort and support from the oversized backrest cover, together with a lumbar support to position where required.

Easy to set-up and change

The **Action⁴_{NG}** remains fully cross compatible with the other models of the Action Family, meaning all new components of the wheelchair fit to previous models.



Features and options



Lightweight

The **Action⁴_{NG}** has a basic weight from 14.7 kg and a transportation weight of 8 kg (without legrests, armrests or rear wheels). With the lightweight wheels this can be reduced to 14.0 kg.



Rearwheel support

The new aluminum rearwheel support, combines lightness with functionality.



Castor housing and fork

Aluminum castor housing, combined new fork design, combines weight reduction with style.



Stepless, adjustable, folding backrest

This innovative, patented, angle adjustable backrest - incorporated from the *Invacare Action⁵* - allows fine adjusting of the backrest angle when the individual is seated in the wheelchair. This unique folding mechanism enables the backrest to fold on top of the seat for easy storage or transportation in a car. In addition, the built-in scale allows for a more accurate backrest angle for the perfect fit.



Flip-back Armrest No.2 and No.3

Both armrest options now feature a release lever and an open zone - with handgrip - for easy transfer out of the chair. In addition, the No.3 armrest is also fully height adjustable.



Amputee support

Offering height, angle and depth adjustments with a durable, moisture proof design, this swing-away support is ideal for transfers.



Front castor

Front castors available in 5", 6" and 8" pneumatic or solid tyre, with various options of tyre width also available.



Tie-down hook

A bright, orange tie-down hook provides a secure fixation point for transportation in a motor vehicle.



Dual handrim propelling wheels

The Dual Handrim version is ideal for hemiplegic individuals. The telescopic, spring-loaded connections can be removed so the chair remains foldable.



Belt buckle

The Bodypoint 2-point lapbelt can be positioned where required to offer maximum postural support.

Features and options



Matrix® seating

From basic cushions, to the top of the range *Invacare Matrix Libra* cushions, Invacare offers a large variety of seat cushions to accommodate a range of individual needs. The *Invacare Matrix Elite* and *Elite Deep* backrests come complete with the EasyMount quick release system, which allows quick, simple removal when the chair is folded. This compatibility with our extensive seating and backrest range puts comfort and support at the heart of the **Action⁴_{NG}**.



Length compensating elevating legrest

This legrest combines optimal length compensation with 0-80° elevation.

Reclining backrest

The reclining backrest, both mechanical and gas spring, allow carers to make quick and easy adjustments for individual positioning.








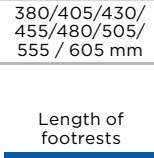

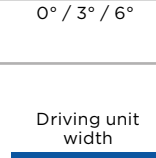
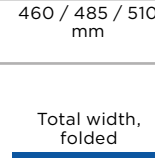
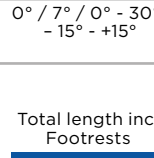
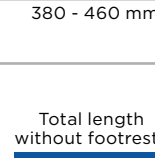
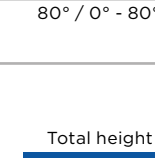




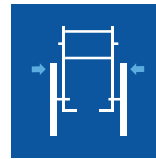




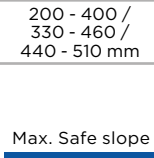
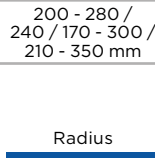

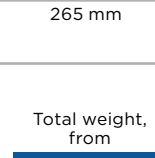
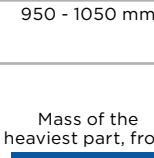
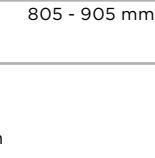
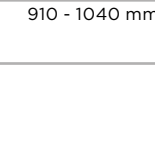
Head and neck rest options






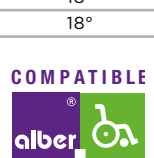



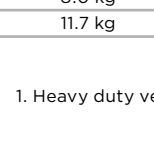
A choice of head and neck rest options are available - including the award winning Elan headrest - to help give individuals the maximum level of comfort and support.

Technical data

For more comprehensive information about this product, including the product's user manual, please visit www.invacare.co.uk

	Seat width	Seat depth	Seat angle	Seat height	Backrest angle	Backrest height	Front frame angle
Self Propulsion	 380/405/430/ 455/480/505/ 555/605 mm	 400 / 450 / 500 mm	 0° / 3° / 6°	 360 / 385 / 410 / 435 / 460 / 485 / 510 mm	 0° / 7° / 0° - 30° / - 15° - +15°	 325 - 510 mm	 80° / 0° - 80°
Transit	 380/405/430/ 455/480/505/ 555 / 605 mm	 400 / 450 / 500 mm	 0° / 3° / 6°	 460 / 485 / 510 mm	 0° / 7° / 0° - 30° / - 15° - +15°	 380 - 460 mm	 80° / 0° - 80°

	Length of footrests	Armrest height	Driving unit width	Total width, folded	Total length inc. Footrests	Total length without footrests	Total height
Self Propulsion	 200 - 400 / 330 - 460 / 440 - 510 mm	 200 - 280 / 240 / 170 - 300 / 210 - 350 mm	 Seat width + 190 mm	 305 mm	 995 - 1170 mm	 850 - 1025 mm	 810 - 1040 mm
Transit	 200 - 400 / 330 - 460 / 440 - 510 mm	 200 - 280 / 240 / 170 - 300 / 210 - 350 mm	 Seat width + 160 mm	 265 mm	 950 - 1050 mm	 805 - 905 mm	 910 - 1040 mm

	Max. Safe slope	Radius	Max. User weight	Total weight, from	Mass of the heaviest part, from
Self Propulsion	 18°	 850 mm	 125 / 160 kg ¹	 14.0 kg	 8.0 kg
Transit	 18°	 850 mm	 125 / 160 kg ¹	 14.5 kg	 11.7 kg



1. Heavy duty version

Frame colours

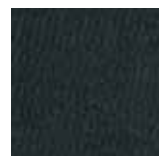
Hypnotic Purple

Matt Black

Blue Pop

Matt Red

Black Nylon

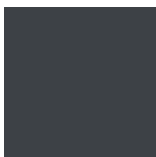
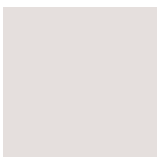


Pearl White

Slate Grey

Electric Green

Anthracite Black



Upholstery



Please notice colours may vary slightly from those displayed above.

Invacare Limited
Pencoed Technology Park - Pencoed
Bridgend CF35 5AQ - United Kingdom
Tel: +44 1 656 776 222
Fax: +44 1656 776 220
E-mail: uk@invacare.com
Sales Order E-mail: ordersuk@invacare.com
www.invacare.co.uk

Invacare Ireland Ltd
Unit 5 - Seatown Business Campus
Seatown Road - SWORDS
County Dublin - Ireland
Tel. +353 1 8107084
Fax +353 1 8107085
Email: Ireland@invacare.com
www.invacare.ie

Trusted Solutions,
Passionate People

