

Adventure A10  
Operating Instructions

GB/US

**ADVENTURE**

Neu!  
New!  
Nouveau!  
Nuovo!

**2**

Auflage  
Edition  
Edition  
Edizione



# Contents

Overview of the most important elements	4
Important safety instructions - must be observed	5
Dimensions of <b>adventure</b>	6

<b>1</b>	<b>Standard delivery schedule</b>	
1.1	Optional parts	8
1.2	Technical data	9
1.3	General information regarding the batteries used	11
<b>2</b>	<b>Individual functions on the adventure</b>	
2.1	Removing batteries	12
2.2	Installing batteries	13
2.3	Removing powered wheels	14
2.4	Fitting powered wheels	15
2.5	Removing steering wheels	17
2.6	Fitting steering wheels	17
2.7	Removing leg supports	18
2.8	Fitting leg supports	19
2.9	Folding up leg supports	20
2.10	Connecting or disconnecting the control unit	20
2.11	Battery charging	21
2.12	Replacing the bulb in the front light	22
2.13	Replacing the bulb in the indicator light	22
2.14	Replacing the bulb in the rear light	23
2.15	Replacing the fuse in the battery	24
2.16	Replacing the fuse in the chassis	24
2.17	Instructions regarding the interface on the chassis	25
2.18	Folding the seat down or removing it completely (function and standard seats)	26
2.19	Fitting the seat unit (function and standard seats)	27
2.20	Swivelling or removing the armrest	
2.20.1	- on the function seat	28
2.20.2	- on the standard seat	28
2.21	Fitting the armrest	
2.21.1	- on the function seat	29
2.21.2	- on the standard seat	30
2.22	Removing the backrest	
2.22.1	- on the function seat	30
2.22.2	- on the standard seat	31
2.23	Fitting the backrest	
2.23.1	- on the function seat	32
2.23.2	- on the standard seat	32
2.24	Folding down the backrest (only for function seat)	33
2.25	Removing the backrest cushion (only for function seat) comfort and standard cushions	33
2.26	Fitting the backrest cushion (only for function seat) comfort and standard cushions	34
2.27	Removing the seat cushion (only for function seat) comfort and standard cushions	35
2.28	Fitting the seat cushion (only for function seat) comfort and standard cushions	35
2.29	Removing the control unit	36
2.30	Fitting the control unit	37

<b>3</b>	<b>Driving</b>	
3.1	Electrical / manual operation	38
3.2	Pelvic strap	39
3.3	Getting in and out	40
3.3.1	Function seat	40
3.3.2	Standard seat	41
3.4	Footrest information	41
<b>4</b>	<b>Starting up</b>	
4.1	Individual elements of the control unit (overview)	42
4.2	On / Off button	42
4.3	Indicators on the display when switching on	42
4.4	Menu setting	43
4.5	Speed pre-selection	43
4.6	Drive away lock	44
4.6.1	Activating the drive away lock	44
4.6.2	Deactivating the drive away lock	44
4.7	Lighting	44
4.8	Horn	44
4.9	Modes of operation	45
4.9.1	Factory settings	45
4.9.2	Selection of the desired driving mode	46
4.10	Direction indicators and hazard warning lights	47
4.11	Fault indications on the display	47
4.12	Joystick steering	56
<b>5</b>	<b>Instructions for driving</b>	
5.1	Driver safety	60
5.2	First driving tests	60
5.3	Instructions for driving the <b>adventure</b>	60
5.4	Dangerous ground	62
5.5	Range	63
5.6	Storage, transport, shipping	64
5.6.1	Storage	64
5.6.2	Transport	64
5.6.3	Shipping	64
<b>6</b>	<b>Care, maintenance and disposal</b>	
6.1	Cleaning	65
6.2	Maintenance	65
6.3	Disposal	65
<b>7</b>	<b>Service life guarantee and liability</b>	
7.1	Service life guarantee	66
7.2	Liability	66
<b>8</b>	<b>Index</b>	67

## Overview of the most important components

### 4

Please open out the overview diagram in the appendix

1	Battery unlocking device	38	Backrest
2	Battery	39	Backrest star grip
3	Cap	40	Backrest locator
4	Contact housing	41	Backrest rollers
5	Battery holding rod	42	Guide rail
6	Support bracket	43	Backrest guide
7	Tilt support	44	Backrest cushion Velcro fastener
8	Ejector	45	Backrest cushion
9	Powered wheel	46	Backrest form
10	Powered wheel receiver	47	Seat cushion Velcro fastener
11	Wheel marking	48	Seat cushion
12	Wheel receiver marking	49	Seat form
13	Steering wheel lock	50	Control unit holder
14	Steering wheel	51	Cable clips
15	Steering wheel holder	52	Control unit locking device
16	Leg support lock	53	Control unit
17	Leg support	54	Control unit receiver
18	Leg support holder	55	Control unit studs
19	Leg support guideway	56	Lever (brake activation)
20	Control unit connection socket	57	Control unit display
21	Control unit connection plug	58	On / Off button for <b>adventure</b>
22	Charging socket cover	59	Menu control
23	Charger plug	60	Speed pre-selection adjusting wheel
24	Charging socket	61	Drive away lock
25	Battery fuse	62	Joystick
26	Fuse compartment protective cover	63	On / Off switch for lights
27	Interface protective cover	64	Horn
28	Seat securing rod	65	Operating modes button
29	Seating unit holder	66	Direction of movement button left
30	Chassis holder stay	67	Direction of movement button right
31	Armrest lock	68	State of charge display
32	Armrest	69	Operating mode display
33	Armrest receiver function seat	70	Magnetic key
34	Armrest star grip	71	Lap belt
35	Armrest receiver standard seat	72	Lap belt bracket
36	Backrest lock	73	Footrest
37	Backrest stay		

## Important safety instructions - must be observed!

For safety reasons, the **adventure** may only be operated by persons who:

- have been instructed in its proper handling
- are physically and mentally in a state to control the **adventure** with complete safety under all operating conditions.

The training for operating the device is included in the scope of delivery and takes place by appointment with your specialist dealer or one of the **alber** district managers. There is no additional charge made for this service.

If you do not feel confident in handling the device, then in Germany please contact our Service Center (telephone 0800-9096-250) or your specialist dealer.

Please also observe closely the maximum climbing performance quoted by us. Under no circumstances must this be exceeded.

The driving properties of the **adventure** may be affected by electromagnetic fields that are produced by mobile phones and other radiation equipment. The **adventure** itself can also cause interference to electromagnetic fields.



**If a mobile phone or similar device is to be used, the adventure should provisionally be switched off on safe ground. Also travel close to strong electric interference fields should be avoided.**

## Intended use

The intended use of adventure is to provide indoor and outdoor mobility to persons restricted to a sitting position who are capable of operating a powered wheelchair.

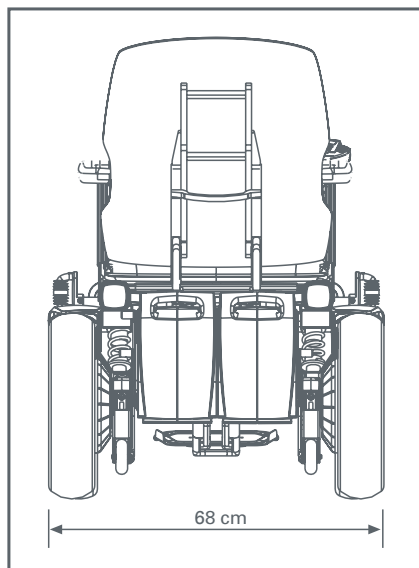


This product has been supplied from an environmentally aware manufacturer that complies with the Waste Electrical and Electronic Equipment (WEEE) Directive 2002/96/CE. This product may contain substances that could be harmful to the environment if disposed of in places (landfills) that are not appropriate according to legislation.

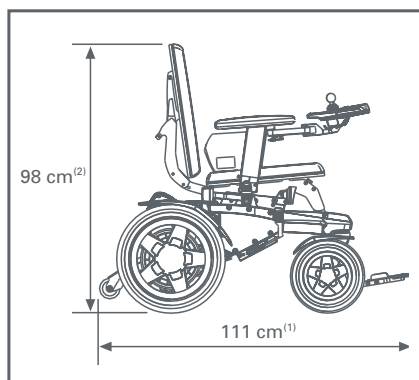
The "crossed out wheeled bin" symbol is placed on this product to encourage you to recycle wherever possible. Please be environmentally responsible and recycle this product through your recycling facility at its end of life.

## Dimensions of adventure

6



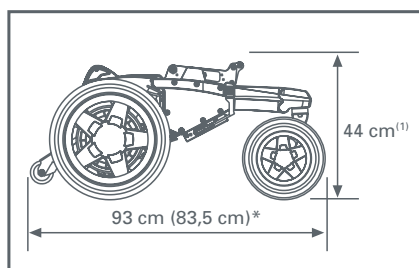
Overall width, ready for driving



Overall length and height, ready for driving

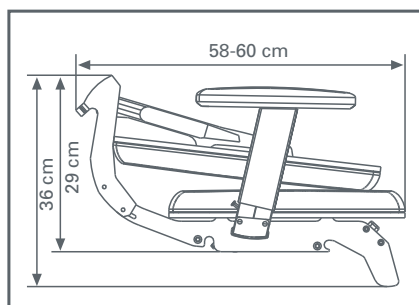
1) Dependent on the leg support angle set

2) Dependent on the backrest height set



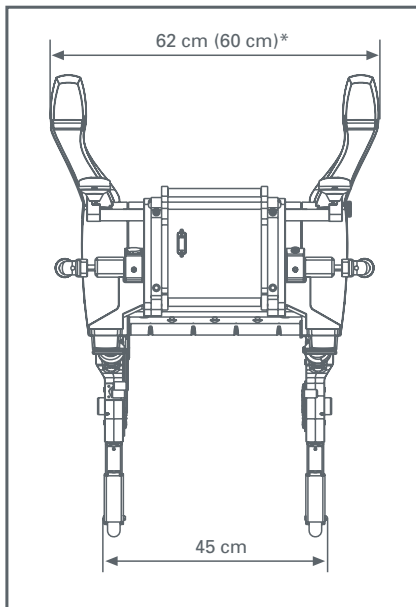
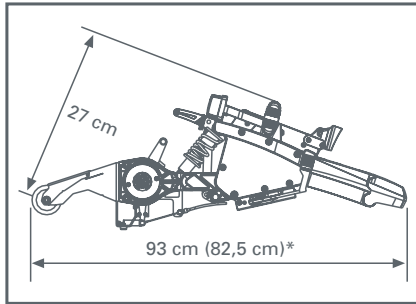
Chassis dimensions (without seating unit)

1) Upper edge of seat attachment



Packing volume: seating unit (dismantled)

\* Measurements in brackets refer to Adventure wheelchairs with short wheelbase.



Packing volume: chassis (without wheels, with tilt supports)

\* Measurements in brackets refer to Adventure wheelchairs with short wheelbase.

# 1 *Standard delivery schedule*

## 1.1 Optional parts

For details and availability of new accessories please see our **adventure** homepage [www.adventure-news.de](http://www.adventure-news.de)

- Adaptation for special backrests
- Attendant control
- Calf support
- Crutch holder
- Foam ball for joystick
- Footbelt
- Handrest extension
- Headrest
- Kerb climber
- Lap belt
- Lateral support
- Light and indicators
- Luggage bag
- Luggage rack
- Mechanical seat tilt
- Middle control
- Mudguards for the wheels
- Off-board charger
- Pelvic support
- Protection bumper for control unit
- Push handles
- Rear-view mirror
- Remote charger plug
- Remote on/off switch
- Seat height enhancement
- Swivel arm for control unit
- T-handle for joystick
- Tie-down system for public transport
- Tray table



## 1.2 Technical data

Version	6 km/h	10 km/h**	12 km/h	Remarks
Steering wheel size	75 / 70 – 6 (diameter 26 cm, width 7.5 cm)			Max. pressure: 3,5 BAR (50 PSI), re- commended pressure 2,5 BAR (36 PSI)
Powered wheel size	90 / 70 – 10 (diameter 37 cm, width 10 cm)			
Maximum speed	6 km/h	10 km/h	12 km/h	
Braking system	Eddy current brake with energy recovery, electromagnetic elasticity brake (locking brake)			
Ground clearance	17 cm			
Turning circle	88 cm (64 cm without footrests)			
Climbing performance with 140 kg load				
long wheelbase	18 %	18 %	18 %	
short wheelbase	10 %	10 %	10 %	
Motor design	Brushless direct current motors, integrated into the wheel hub			
Drive design	2-step planetary transmission, maintenance free			
Wheel torque	50 Nm	40 Nm	40 Nm	Max. wheel torque
Motor nominal output	110 Watt	183 Watt	220 Watt	
Motor peak output	475 Watt	620 Watt	750 Watt	
Operating voltage	24 Volt			
Battery packs	Lead-gel, maintenance free, leak-proof, 24 Volt / 44 A			Authorized for trans- portation by air freight by DOT and IATA
Automatic battery charger	6 amps charging current, with automatic switch-off and charge conservation			
Range(22 Ah)	Approx. 20 km	Operation not possible	Operation not possible	
Range(44 Ah)	Approx. 45 km*	Approx. 45 km*	Approx. 45 km*	
Max. additional load	140 kg			
Total weight (empty with standard seat)				
long wheelbase	96,7 kg			
short wheelbase	96,4 kg			
Maximum obstacle height				
long wheelbase	Without kerb climber maximum of 8 cm, with kerb climber 12 cm		The kerb climber can be ordered as an accessory	
short wheelbase	maximal 5 cm		Kerb climber cannot be fitted	

**Weight of individual components**

Version	6 km/h	10 km/h**	12 km/h	Remarks
Battery pack		14,6 kg		
Powered wheel		11,2 kg		
Steering wheels with fork		2,3 kg		
Chassis		26,2 kg		
Seating unit		14,3 kg		
Charger		1,1 kg		
Total permitted weight		255 kg		

**Dimensions**

Total length ready to drive (with tilt supports)		111 cm		Dependent on the leg support angle set
Total width ready to drive		68 cm		
Power base (without seat) long wheelbase		93 cm		Measured with tilt supports and front wheels outside
short wheelbase		83,5 cm		
Packing volume seating unit (H x W x D)	36 cm x 50 cm x 60 cm			Dismantled, measured with standard seat, seat width 44 cm
Packing volume chassis (H x W x D)				Without front and rear wheels, with tilt supports
long wheelbase		27 cm x 62 cm x 93 cm		
short wheelbase		30 cm x 60 cm x 82,5 cm		
Operating temperature	Ambient temperature range (approx. -25 °C / +50 °C)			
Manufacturer's guarantee	2 years on complete vehicle (except wearing parts), batteries 6 months			

\* The range varies depending on the terrain being travelled on and the prevailing driving conditions. Under optimum driving conditions (even terrain, freshly charged batteries, ambient temperature of 20 °C, even driving speed, etc.) the quoted ranges can be attained.

\*\* Not available in the USA.



The **adventure** complies with the EU regulation for medical products 93/42/EWG, and 89/366/EWG electromagnetic compatibility.

Changes in technology and design due to constant further development excepted.

**Battery charger**

**For more details and technical information please refer to the instructions enclosed with the charger.**

### 1.3 General information regarding the batteries used

The batteries in your **adventure** are maintenance free and rechargeable. Their useful service life depends strongly on the charging / discharging cycles. Through careful recharging you increase the useful life of the batteries. The electronics built into the **adventure** constantly monitor the state of charge of the batteries and prevent complete discharging, if properly observed.

- Avoid discharging the batteries completely. Recharge the batteries of your **adventure** after every partial discharge, i.e. after each use.
- Lead batteries are subject to self-discharge. Consequently, the batteries of the **adventure** should, whenever possible, always be connected to the **alber** mains charger. Due to charging automation, which switches to charge conservation once the batteries are fully charged, it is impossible to overcharge them.
- If lead batteries are stored over a longer period of time (without being recharged), then they are subject to loss of capacity. However, after several charge / discharge cycles the full capacity is restored again.
- If improperly handled, batteries may lose electrolytic fluid. This can cause injury to the skin and damage to clothing.
- If skin or eyes should come into contact with the electrolyte it is vital to rinse immediately with pure water and to promptly consult a doctor.
- Never subject the battery to fire or try to burn it. This could cause the battery to explode.
- Do not short-circuit the battery out. A short-circuit results in very large currents which could damage the battery or the **adventure**. At the end of its useful service life the battery may be returned to **alber** or an **alber** specialist dealer for proper disposal.

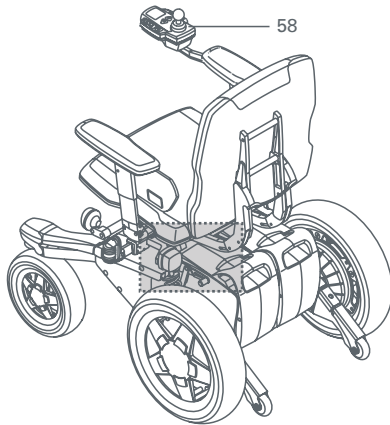
**The batteries in your adventure can be used and charged in any position desired. They are classified as being as safe as dry cells and are authorized for transportation by air freight by DOT and IATA.**

## 2 Individual functions on the adventure

12

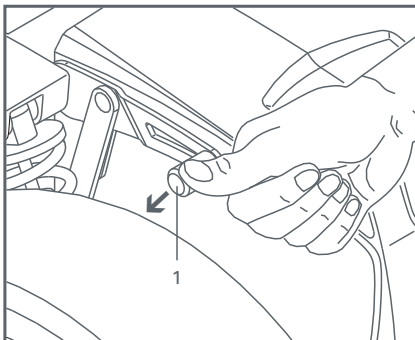
Your **adventure** is a compactly constructed vehicle. Individual and service functions may be carried out with a few hand movements and largely without the use of any tools.

Certain of the control elements shown in the following diagrams may deviate from those of your **adventure** as they are provided for left-handed or right-handed persons and so some control elements are located on the opposite side.

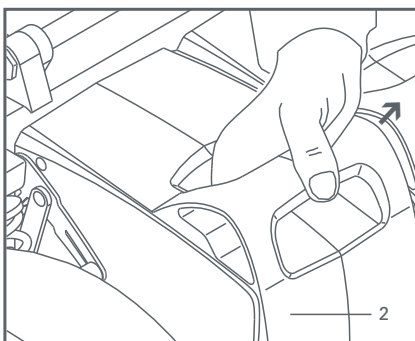


### 2.1 Removing batteries

The following instructions apply for operation with one as well as with two batteries.

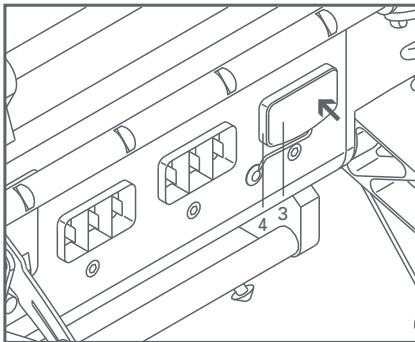
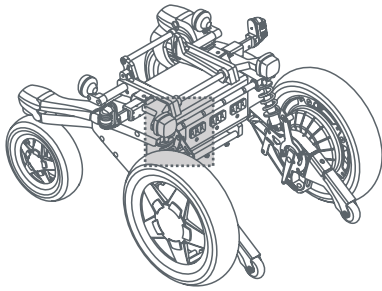


- Switch the **adventure** off by pressing the On / Off button [58] on the control unit (see chapter 4.2).
- Fold the seat forward (see chapter 2.18).
- Press the unlocking mechanism for the battery [1], located at the side, downwards.
- Remove the battery [2].

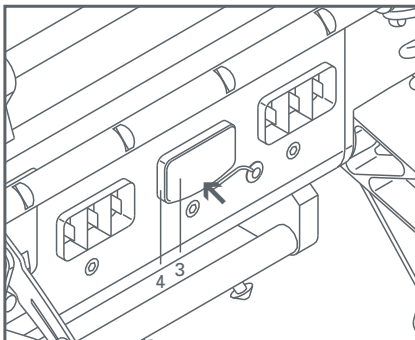


## 2.2 Installing batteries

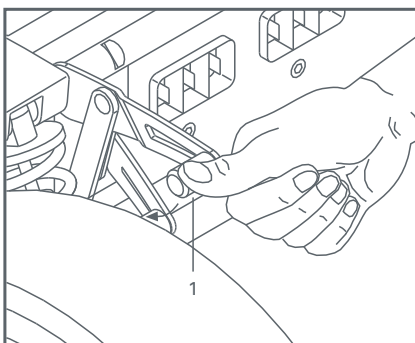
The following instructions apply for operation with one as well as with two batteries.



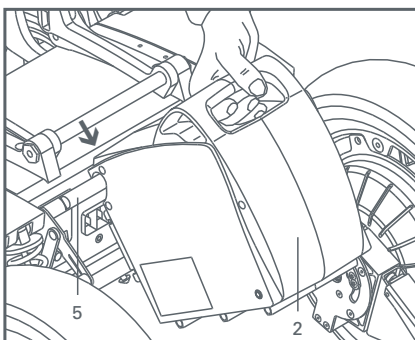
- Fold the seat forward (see chapter 2.18).
- Fit the cap [3] to the contact housing [4].
- **When operating with only one battery:** Place the cap [3] on the **right** contact housing [4].
- Place the battery in the middle of the **adventure**



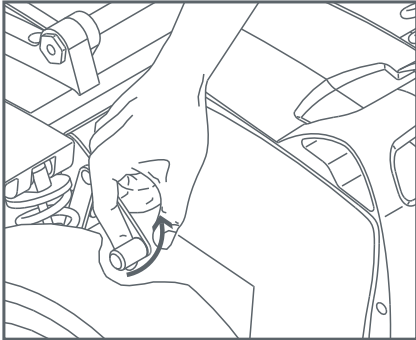
- **When operating with two batteries:** Place the cap [3] on the **centre** contact housing [4].



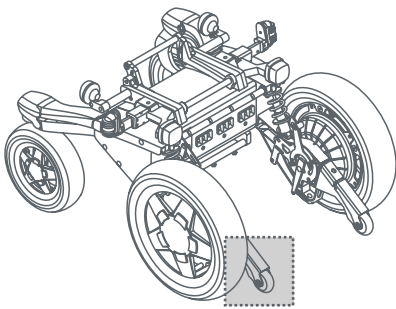
- Press the unlocking mechanism for the battery [1], located at the side, downwards.
- Place one battery [2] on the left, the other battery [2] to the right of the holding rod [5].
- Alternatively (operation with only one battery): place the battery [2] in the middle of the holding rod [5].
- When properly positioned the batteries fall automatically into the contact housings. If this is not the case, then shift the batteries to the left or right on the holding rod [5].



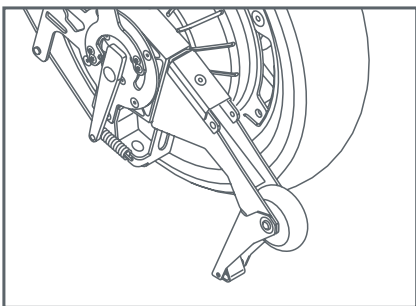
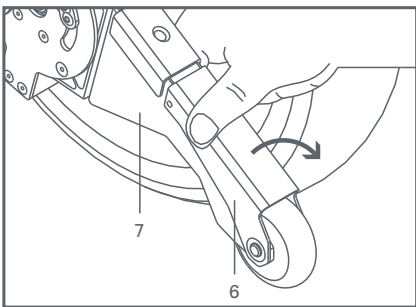
- Pull the unlocking mechanism upwards [1].
- Switch the **adventure** on again by pressing the On / Off button [58] on the control unit.



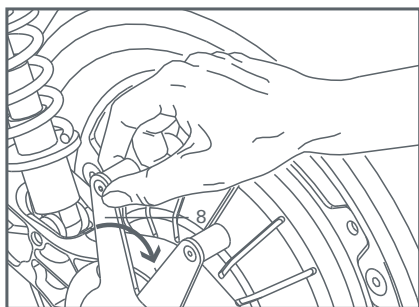
The cap prevents moisture entering the contact housing. Never use your adventure without having placed the cap in the correct position first.



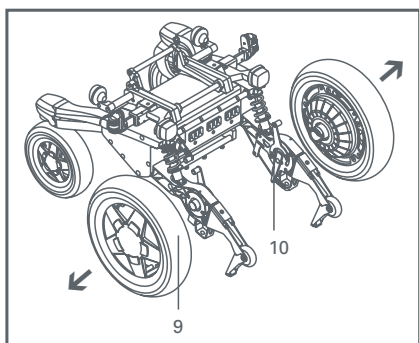
### 2.3 Removing powered wheels



- Switch the **adventure** off by pressing the On / Off button [58] on the control unit.
- Fold the support bracket [6] on both tilt supports [7] downwards.
- Stand with one foot placed against the support bracket [6] on the right-hand side (to prevent sliding).
- Take the wheel in both hands and pull the **adventure** simultaneously back and upwards.
- The right-hand side of the chassis now rests on the support bracket [6], the wheel is free.
- Repeat the process on the left-hand side.

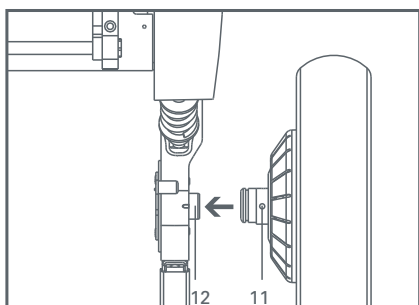
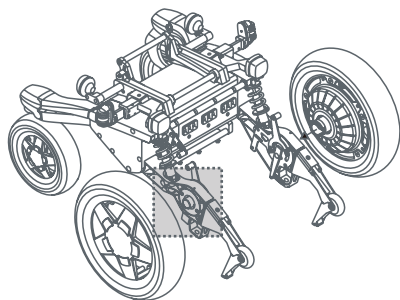


- With one hand pull the ejector [8] back and simultaneously with the other hand lift the wheel up slightly by its rim. The powered wheels [9] can now be pressed out of their receivers [10].
- Pull the wheels [9] completely off the receivers [10] and set them aside.

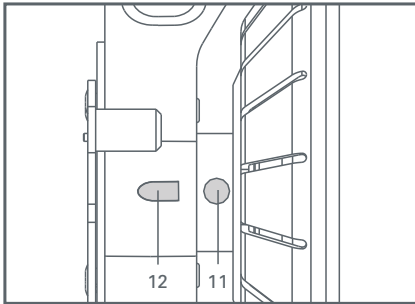


Never lay the wheels down on their stub axles. When removed from the vehicle, the wheels must never be cleaned with water as moisture may get into the electronics through the axle.

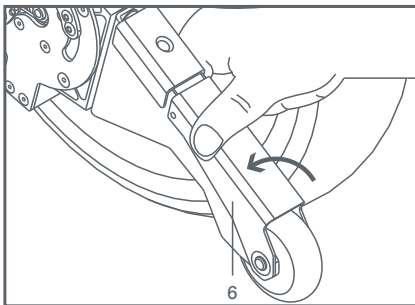
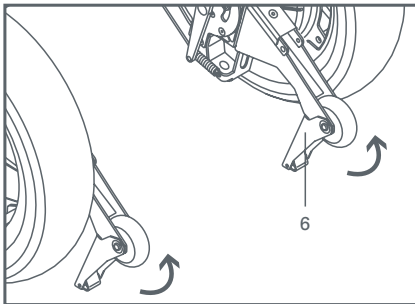
## 2.4 Fitting powered wheels



- Make sure that the brake lever is next to the chassis (see chapter 3.1), otherwise the wheels cannot be fitted.
- If not already done, place the **adventure** up on both its support brackets [6] (see chapter 2.3).



- Adjust the marking on the wheel [11] to correspond to the marking on the wheel receiver [12].
- Push the wheels [9] fully into the wheel receivers [10].
- Fold the support brackets [6] back in.
- Make sure that the support brackets [6] are securely folded away.



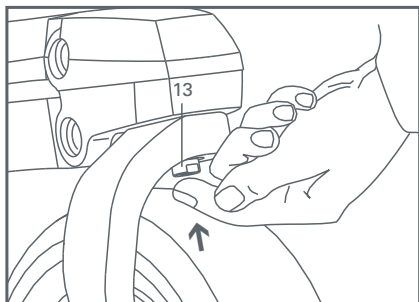
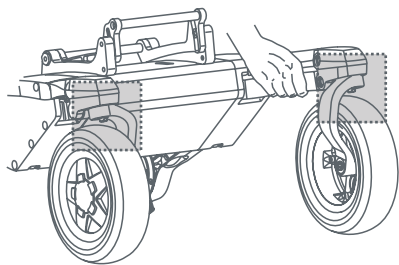
If the powered wheels [9] should not be completely engaged in the wheel receivers [10], you will get an optical warning message on the display of the control unit. An audible warning signal will also be issued.



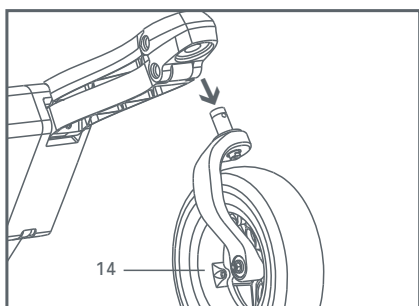
Prior to fitting the wheels always check their stub axles and the wheel receivers on the chassis for signs of dirt. Dirty stub axles may cause jamming during the fitting process.



## 2.5 Removing steering wheels

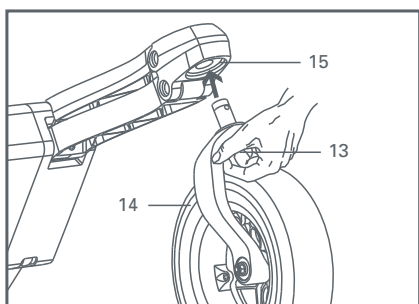
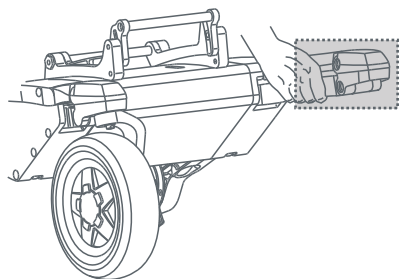


- Position the wheels in the direction of travel.
- Lift the **adventure** up on the side where you wish to remove the wheel.
- With the other hand press the locking device [13] located under the wheel fork.
- Keeping the lock [13] pressed, pull the steering wheel [14] downwards out of its holder.
- Place the steering wheel [14] aside.
- Repeat the above steps on the other side.



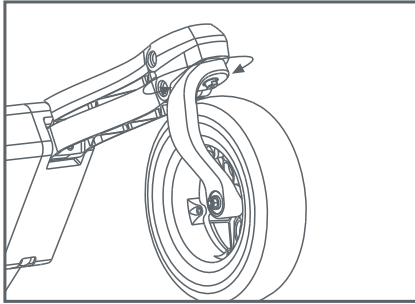
Always ensure that the wheel stub axles are not damaged during the removal process.

## 2.6 Fitting steering wheels



- Lift the **adventure** up on the side where you wish to fit the wheel.
- Take the steering wheel [14] into the other hand, press the locking device [13] and guide the wheel shaft into the holder [15].

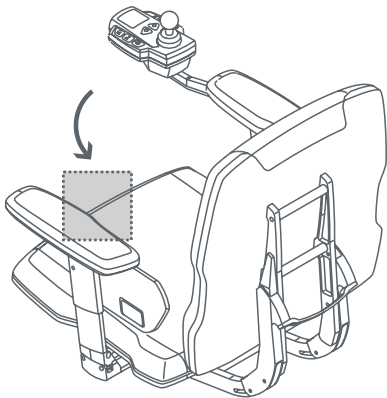
18



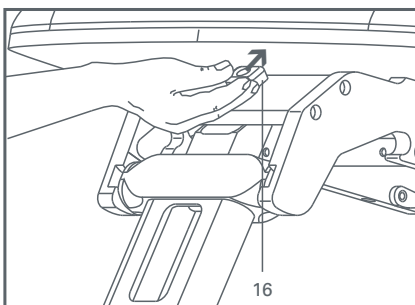
- Make sure, by turning the steering wheel [14] a number of times, that it is securely located in the holder [15] and will not fall out by itself.
- Repeat the above steps on the other side.



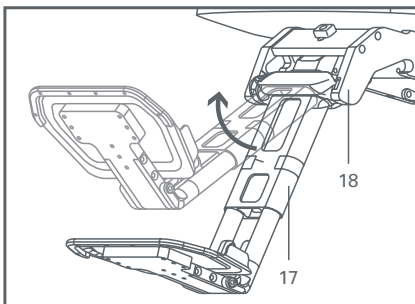
Prior to fitting the wheels always check their stub axles and the wheel receivers on the chassis for signs of dirt. Dirty stub axles may cause jamming during the fitting process.



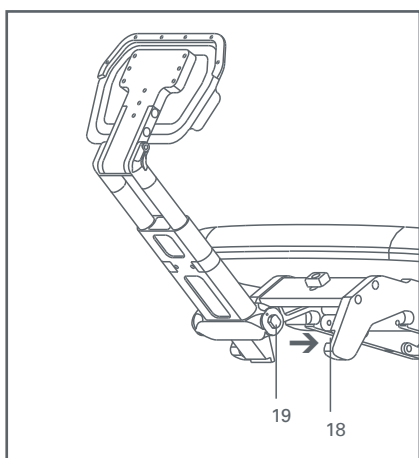
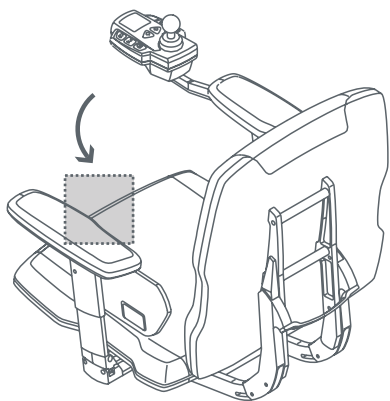
## 2.7 Removing leg support



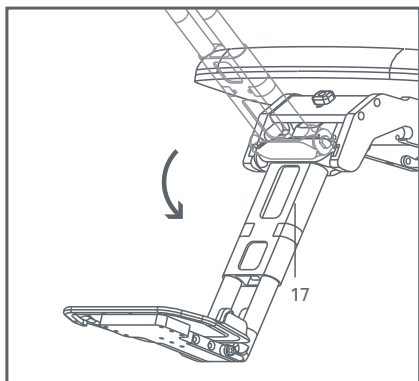
- Press the locking device [16] upwards and simultaneously swivel the leg support [17] upwards about 90 degrees.
- Pull the leg support [17] out of the holder [18].



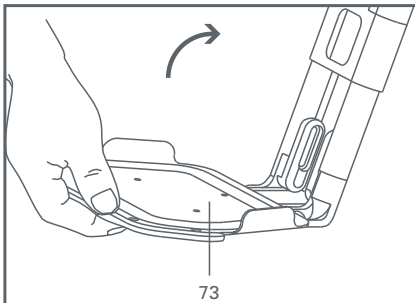
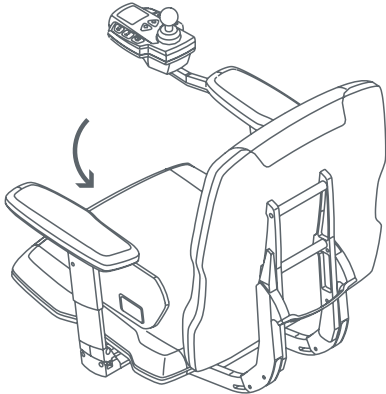
## 2.8 Fitting leg supports



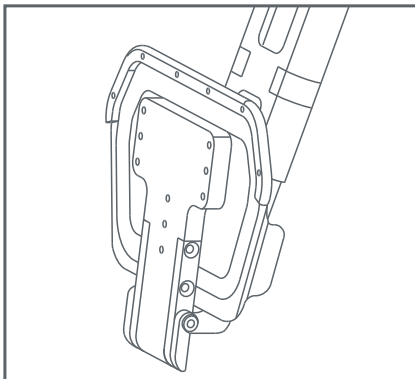
- Push the leg support guideway [19] into the holder [18]
- Fold the leg support [17] downwards; the locking device engages automatically.



## 2.9 Folding up footrests

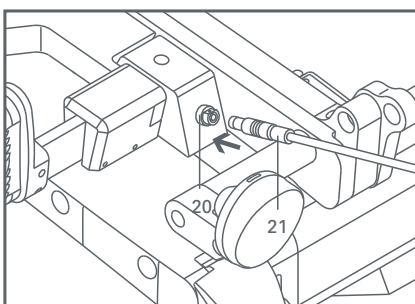
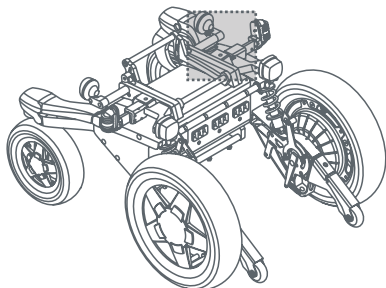


- The front part of the leg supports [73] can be folded up, if required, as shown in the diagram.

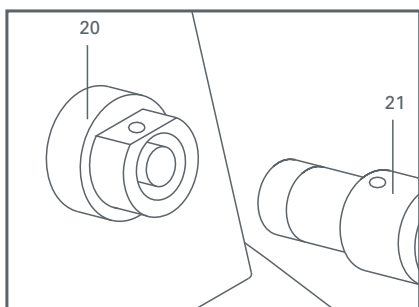


## 2.10 Connecting or disconnecting the control unit

Depending on the **adventure** model, the control unit connection socket [20] is located either on the left-hand or right-hand front side underneath the seat.



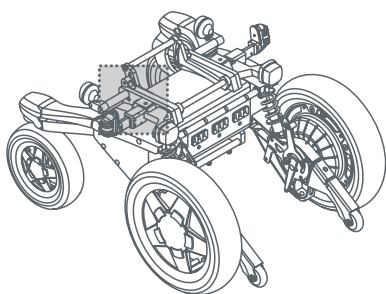
- Carefully insert the plug [21] from the control unit into the connection socket [20] on the **adventure**.
- The connection to the control unit is established automatically.



- If you wish to disconnect the control unit from the **adventure**, you just need to gently pull the control unit plug [21] out of the connection socket [20].

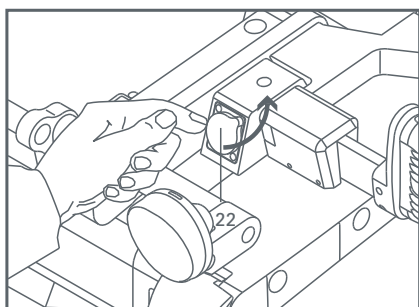


The markings on the connection socket [20] and on the plug [21] must be aligned.

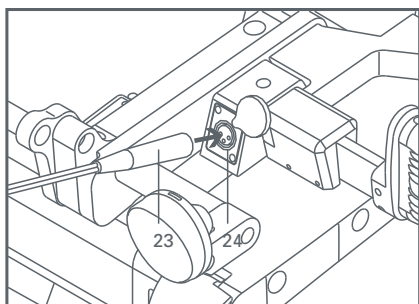


## 2.11 Battery charging

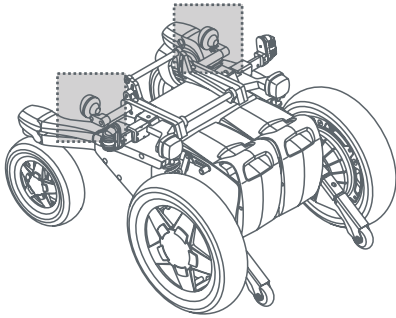
Depending on the **adventure** model, the charging socket is located either on the left-hand or right-hand front side underneath the seat.



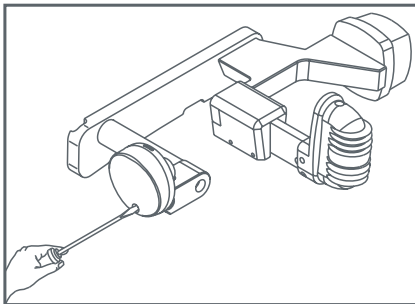
- Push the cover [22] over the charging socket to the side.
- Insert the plug [23] of the charger gently into the charging socket [24].
- Connect the charger to a mains power supply.



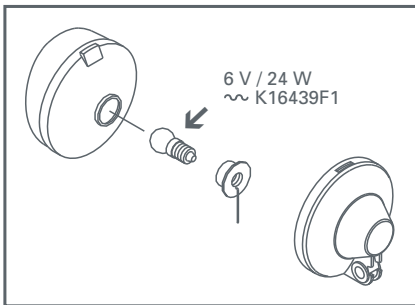
For more details and technical information please refer to the instructions enclosed with the charger.



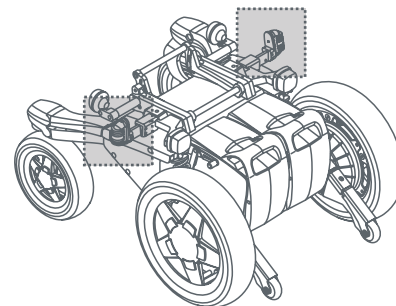
## 2.12 Replacing the bulb in the front light



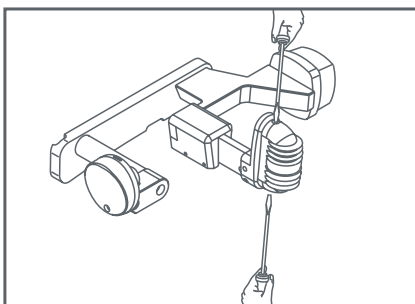
- Switch off the **adventure** at the control unit.
- Unscrew and remove the screw on the front of the housing.
- Replace the defective bulb by a new one.
- Screw the two parts of the housing together again.



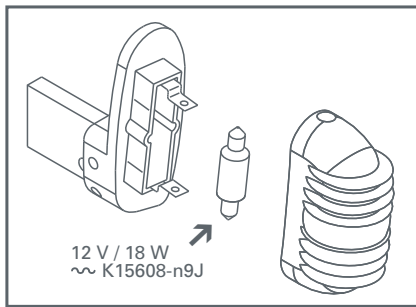
Make sure that no wires are jammed when the housing is assembled again.



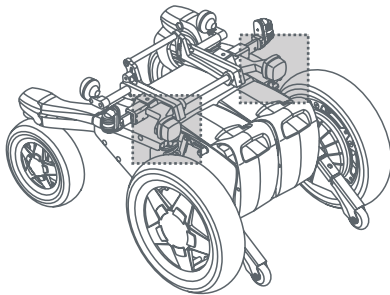
## 2.13 Replacing the bulb in the direction indicator light



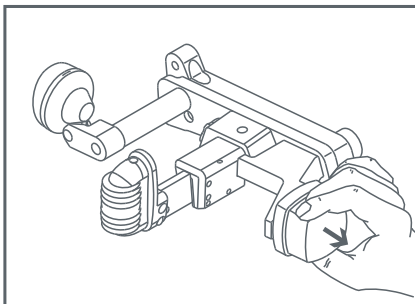
- Switch off the **adventure** at the control unit.
- Unscrew and remove the two screws on the upper and lower sides of the housing.
- Replace the defective bulb by a new one.
- Screw the housing back onto the holder.



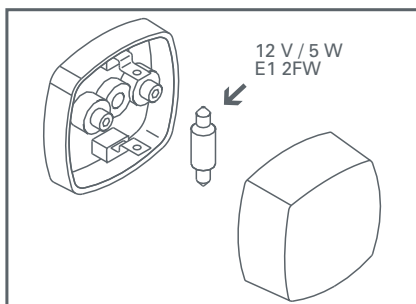
Make sure that no wires are jammed when the housing is assembled again.



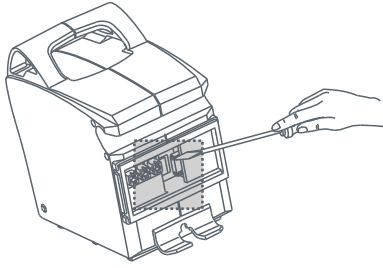
## 2.14 Replacing the bulb in the rear light



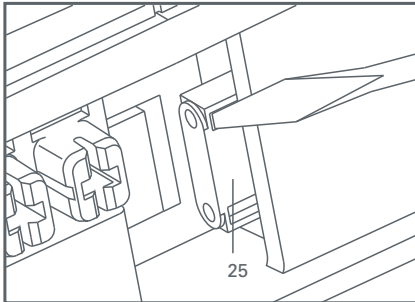
- Switch off the **adventure** at the control unit.
- Pull the two halves of the housing apart.
- Replace the defective bulb by a new one.
- Replace the red plastic housing back on the plastic holder.



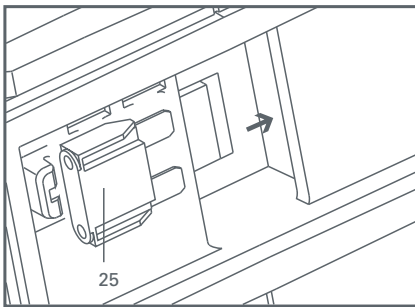
Make sure that no wires are jammed when the housing is assembled again.



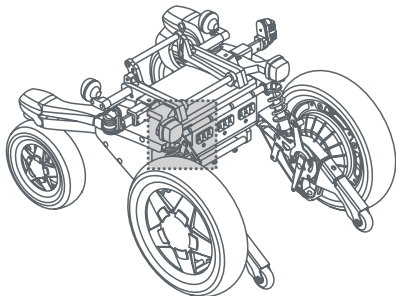
## 2.15 Replacing the fuse in the battery



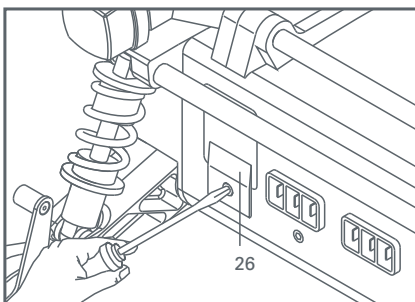
- Push the fuse [25], which is located at the front of the battery housing, out of the housing.
- Take a fuse [25] of the same type and insert it in place.



**Never open the battery housing.**  
Should the fuse need replacing several times at short intervals, then please contact the alber Service Center.

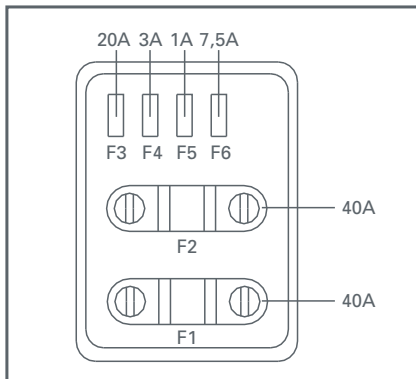


## 2.16 Replacing the fuse in the chassis



- If not already done, remove both batteries from the chassis (see chapter 2.1).
- Open the protective cover [26] on the back of the chassis with the aid of a screwdriver.
- Remove the defective fuse.
- Insert a new fuse of the same type.

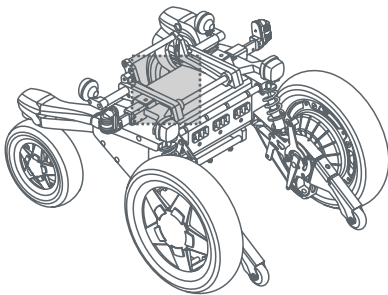




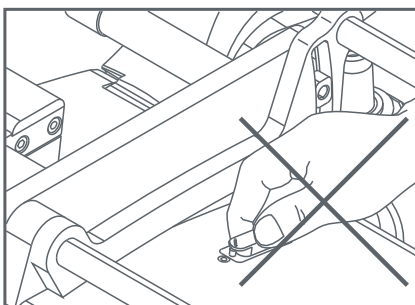
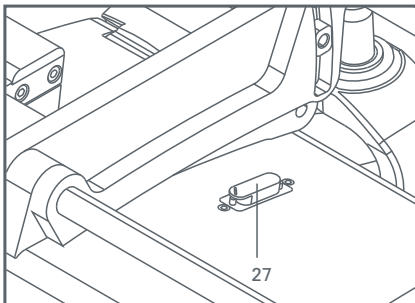
- Close the protective cover [26] and tighten the screw.
- Replace the batteries on the chassis (see the chapter „Replacing batteries“).



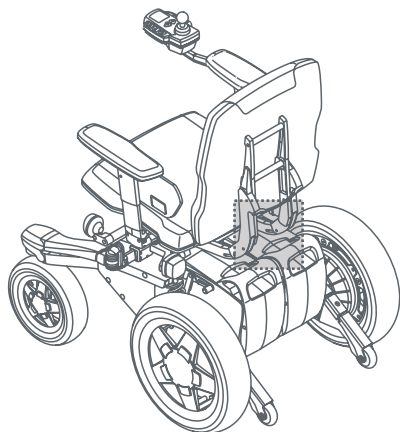
Always remove both batteries prior to changing the fuse. Should the fuse need replacing several times at short intervals, then please contact the alber Service Center.



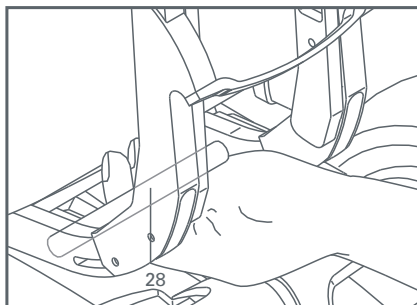
## 2.17 Instructions regarding the interface on the chassis



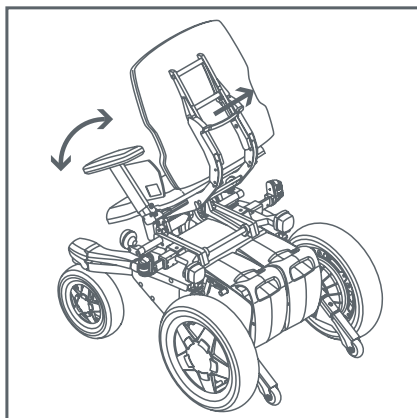
There is an interface located on the chassis of the adventure which can be used by your specialist dealer for medical accessories to attach various additional features, such as electrical seat adjustment, for example. The protective cap [27] on the interface must not be removed, as damage may occur to the contacts located underneath it.



### 2.18 Folding the seat down or removing it completely (function and standard seats)

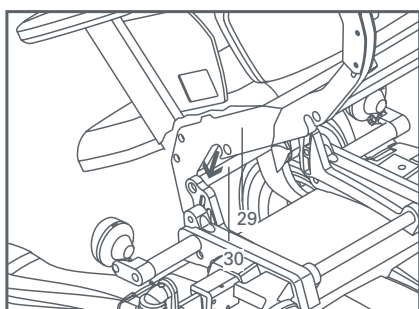
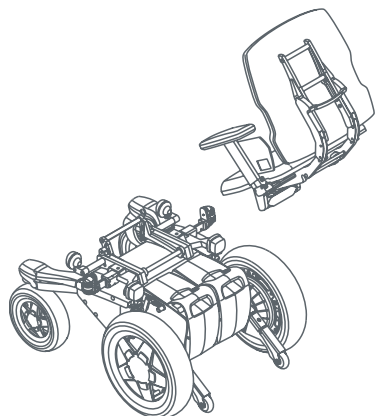


- Press the securing rod [28] on the frame, located above the batteries, upwards.
- Fold the entire seating unit forwards.
- If desired, the complete seating unit may now also be removed.

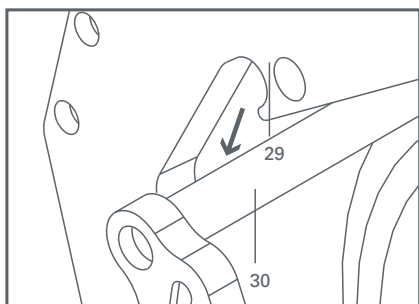


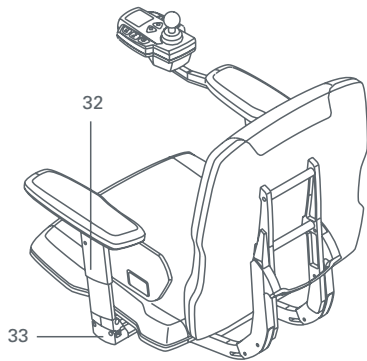
If the seating unit is to be removed completely, then the control unit connection plug [21] must be disconnected first (see also chapter 2.10).

## 2.19 Fitting the seating unit (function and standard seats)



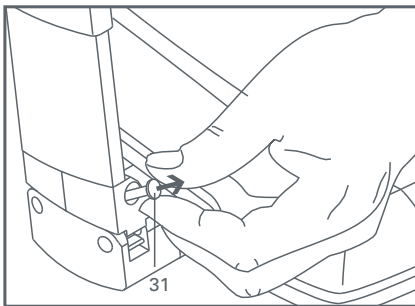
- Hold the seating unit above the chassis at an angle of about 45 degrees.
- Push the holder [29] on the seating unit into the chassis holder stay [30] on the chassis.
- Fold the entire seating unit downwards. This will cause it to automatically engage with the chassis.
- Check that it is locked in place. It must not be possible to remove the seating unit from the chassis without it being unlocked first (see chapter 2.18).
- Reconnect the control unit (see chapter 2.10).



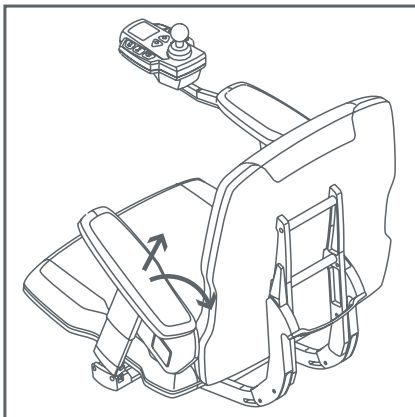


## 2.20 Swivelling or removing the armrest

### 2.20.1 Function seat

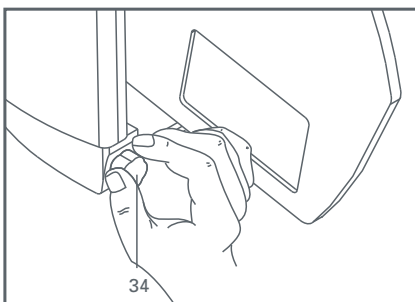


- Pull on the locking device [31] at the lower end of the armrest.
- Simultaneously tip the armrest [32] backwards.
- The armrest can now stay (folded away) on the **adventure**, or it can be removed entirely.
- If the armrest is folded back into its initial position, it engages automatically in the receiver [33].

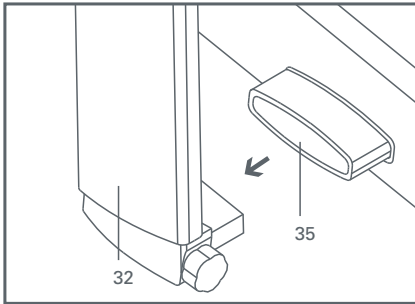


**If the armrest [32] with the control unit is to be removed, then you must first disconnect the control unit connection plug [21] (see chapter 2.10).**

### 2.20.2 Standard seat



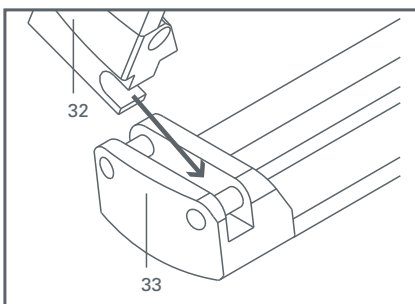
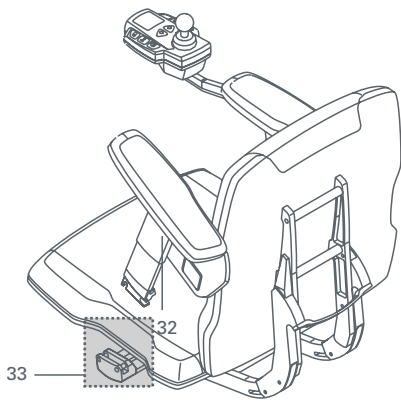
- The armrest on the standard seat cannot be swivelled but only removed.
- Loosen the star grip [34] on the armrest [32].
- Pull the armrest [32] out of the receiver [35] and place it aside.



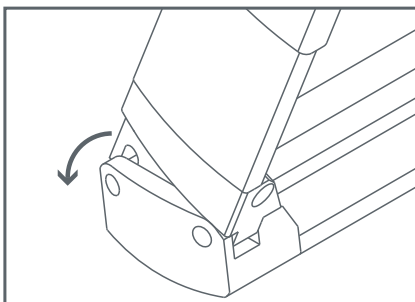
If the armrest [32] with the control unit is to be removed, then you must first disconnect the control unit connection plug [21] (see chapter 2.10).

## 2.21 Fitting the armrest

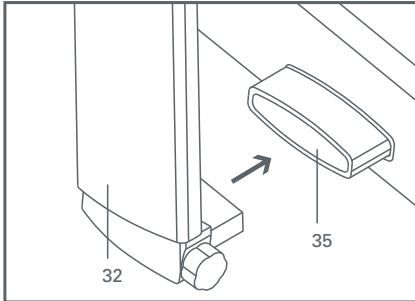
### 2.21.1 Function seat



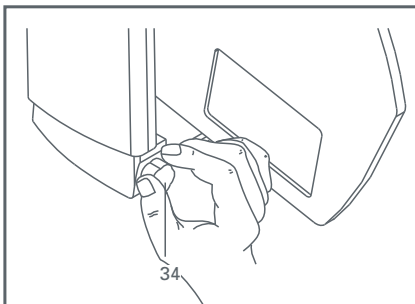
- Push the armrest [32] into its receiver [33].
- Tip the inserted armrest [32] forwards until it engages in the receiver [33].
- If required, reconnect the control unit (see chapter 2.10).



## 2.21.2 Standard seat

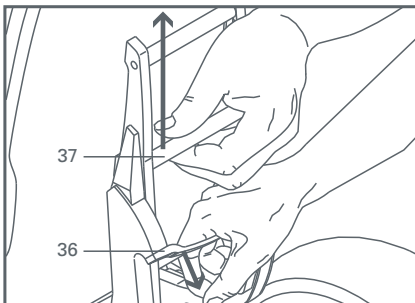
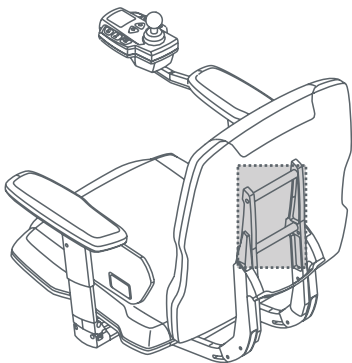


- Push the armrest [32] into its receiver [35].
- Tighten the star grip [34] firmly.
- If required, reconnect the control unit (see chapter 2.10).

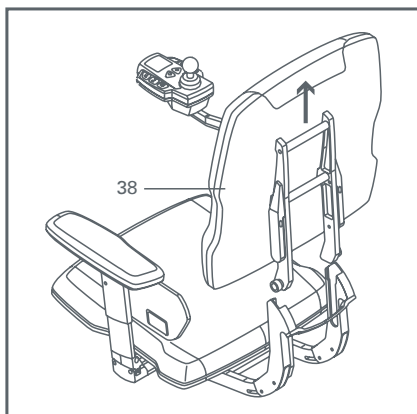


## 2.22 Removing the backrest

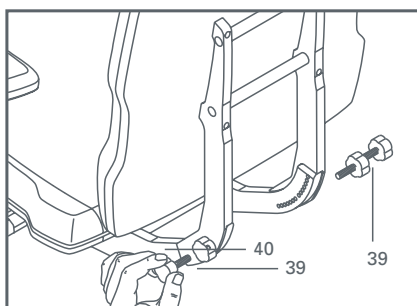
### 2.22.1 Function seat



- Press the backrest locking lever [36] down with the one hand.
- Simultaneously with the other hand pull the entire backrest upwards by the stay [37].
- Place the backrest [38] aside.

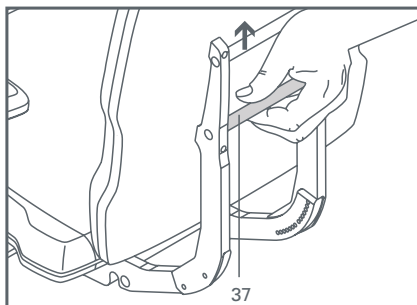


Always make sure that the guide rollers are not dirty or damaged.



### 2.22.2 Standard seat

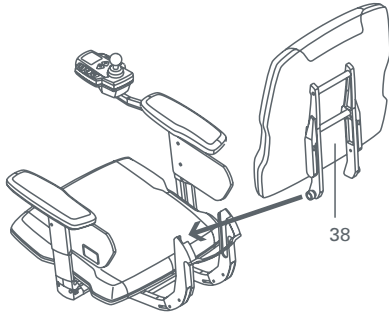
- Loosen and remove the four star grips [39].
- Pull the entire backrest [38] up by the stay [37].
- Place the backrest [38] aside.
- For safe keeping, screw the star grips [39] into the locator [40].



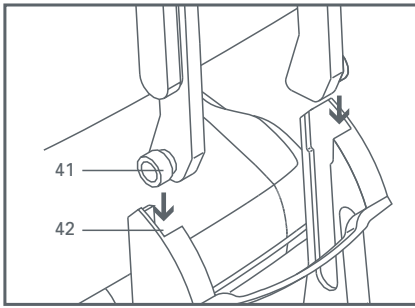
In removing the backrest, observe the position of the holes into which the star grips are screwed. When the backrest is re-fitted, the star grips should be screwed into exactly the same holes as otherwise the position of the backrest will be different.

## 2.23 Fitting the backrest

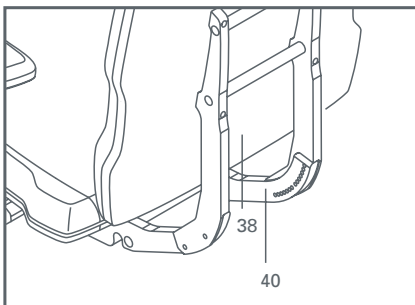
### 2.23.1 Function seat



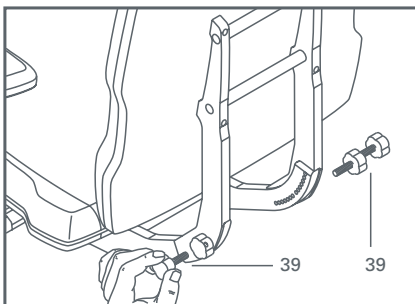
- Push the backrest rollers [41] into the guide rails [42].
- Allow the backrest [38] to slide completely into the guide rails [42].
- The backrest [38] engages automatically when it reaches its end position.



### 2.23.2 Standard seat



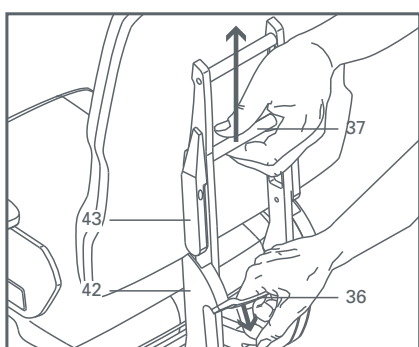
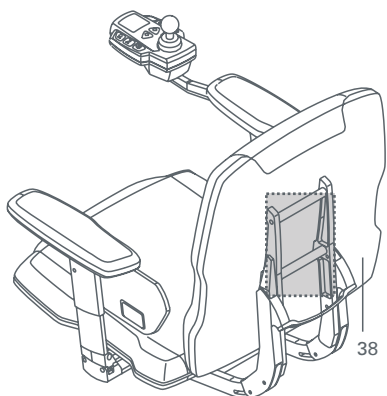
- Push the backrest [38] into the locator [40].
- Screw the backrest [38] to the locator [40] with the star grips [39].



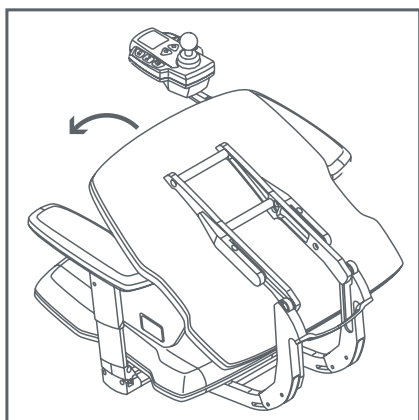
Screw the backrest back into the same position (watch for the holes) in which it was prior to being removed.



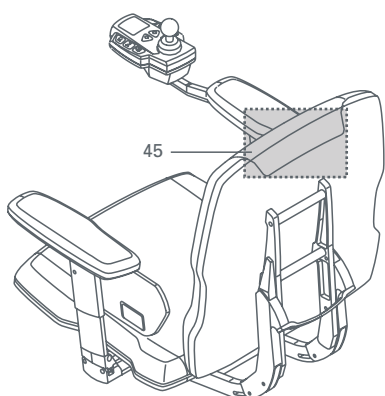
## 2.24 Folding down the backrest (only for function seat)

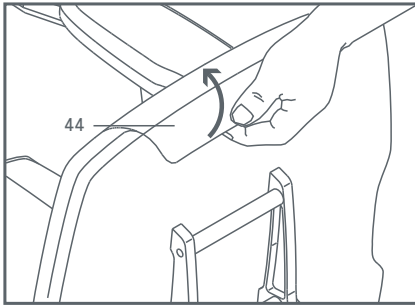


- Press the backrest locking lever [36] downwards with the one hand.
- Simultaneously with the other hand pull the entire backrest upwards by the stay [37] until the guide [43] extends beyond the guide rail [42].
- Fold the backrest [38] over.
- In order to return the backrest [38] to its initial position push it back into the guide rail [42]. It will engage automatically.

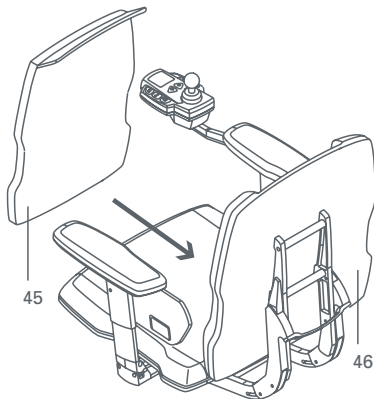
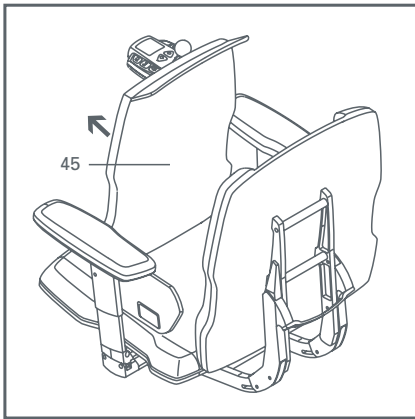


## 2.25 Removing the backrest cushion (only for function seat) Comfort and standard cushions

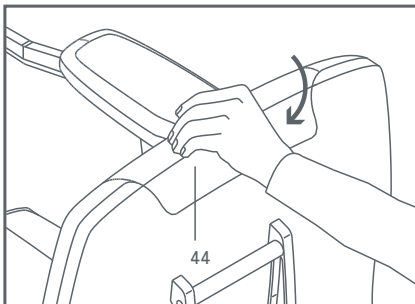




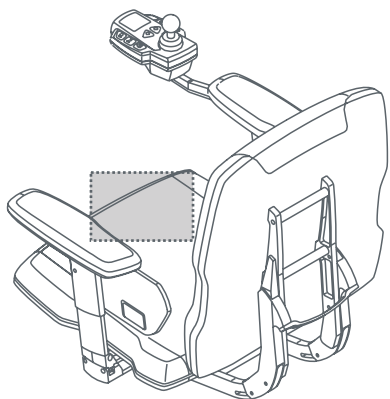
- Undo the Velcro fastener [44] situated at the top edge of the backrest cushion.
- Pull the backrest cushion [45] off.



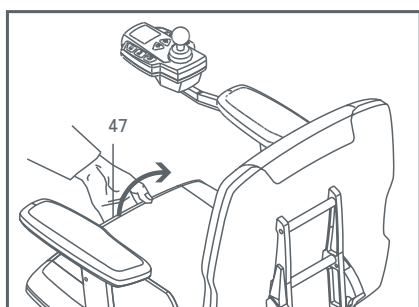
## 2.26 Fitting the backrest cushion (only for function seat) Comfort and standard cushion



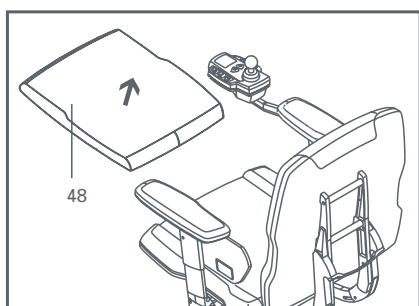
- Place the backrest cushion [45] properly oriented onto the backrest form [46].
- Press the backrest cushion [45] against the backrest form [46], where it will be held by the Velcro fasteners.
- Pull the Velcro fastener [44] situated at the top edge of the backrest cushion over the top edge of the backrest form.
- Press the Velcro fastener [44] against the backrest form.



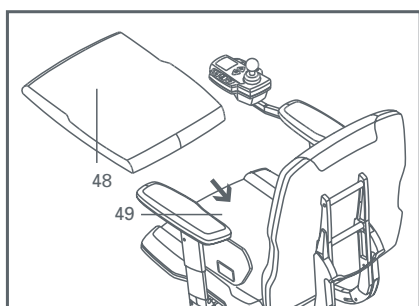
### 2.27 Removing the seat cushion (only for the function seat) Comfort and standard cushion



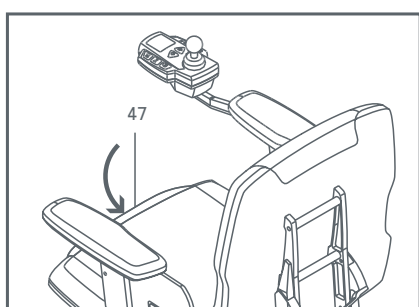
- Undo the Velcro fastener [47] situated at the front lower edge of the seat cushion.
- Pull the seat cushion [48] off.

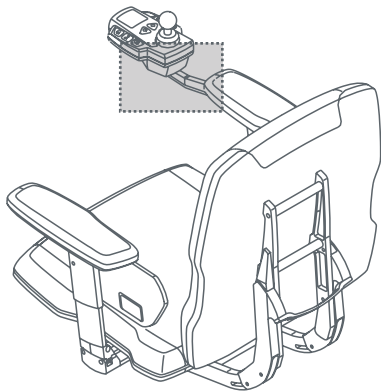


### 2.28 Fitting the seat cushion (only for the function seat) Comfort and standard cushion

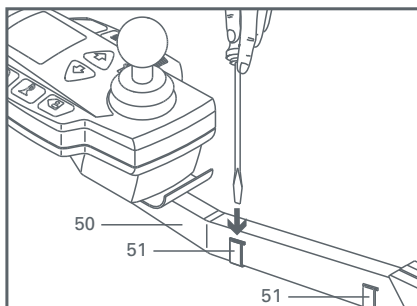


- Place the seat cushion [48] properly oriented onto the seat form [49].
- Press the seat cushion [48] against the seat form [49], where it will be held by the Velcro fasteners.
- Pull the Velcro fastener [47] situated at the front edge of the seat cushion over the front edge of the seat form.
- Press the Velcro fastener [47] against the lower side of the seat form.





## 2.29 Removing the control unit



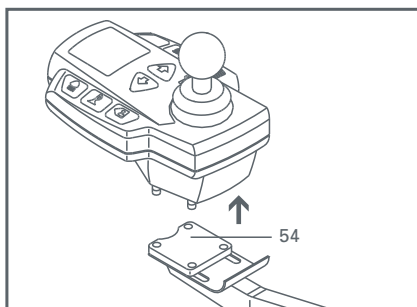
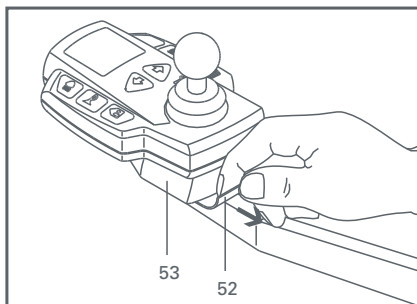
– If not already done, first pull the control unit plug out of the connection socket on the chassis (see chapter 2.10).

– Undo and remove the two clips [51] situated at the sides of the holder [50].

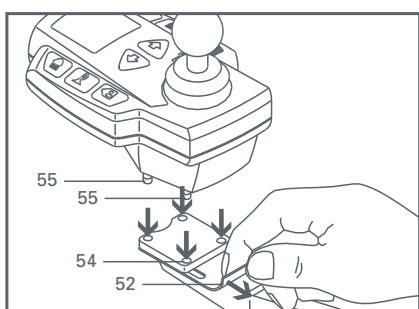
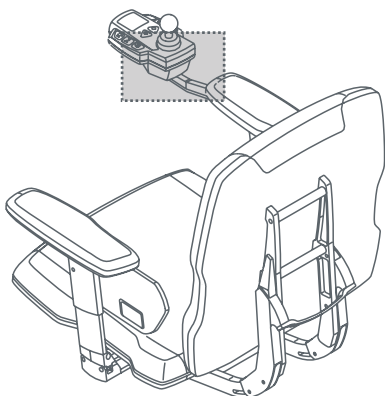
The cable to the control unit that is inside the holder [50] is now exposed.

– Pull the locking device [52] underneath the control unit [53] backwards.

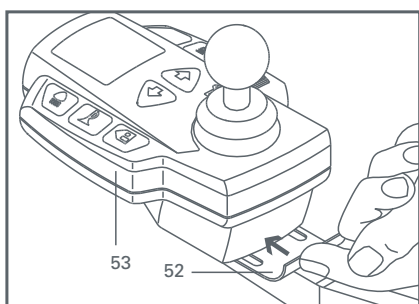
– Take the control unit [53] out of the receiver [54] and place it aside.



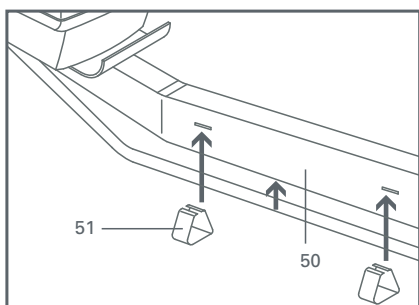
## 2.30 Fitting the control unit



- Pull the locking device [52] backwards.
- Place the studs [55] on the control unit into the receiver [54] on the cantilever.
- Push the locking device [52] forwards. The control unit [53] should now be firmly attached to the holder [50].
- Place the control unit cable into the groove underneath the holder [50].

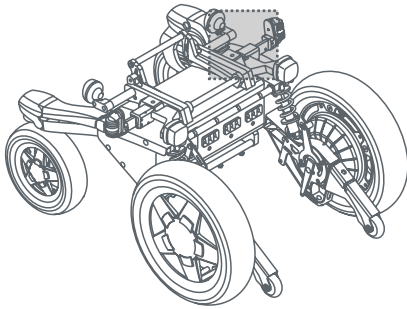


- Push the clips [51] into their locations in the holder [50].
- Connect the control unit to the chassis (see chapter 2.10).



## 3 Driving

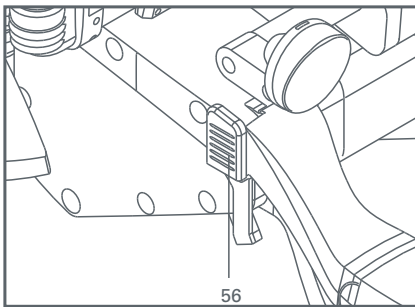
38



### 3.1 Electrical / manual operation

The lever [56] for mechanical activation / deactivation of the electromechanical brake is situated (depending on the model of **adventure**) on the left-hand or right-hand front side of the chassis.

When the electrical drive is switched off the **adventure** can be switched into manual operation by deactivating the brake.



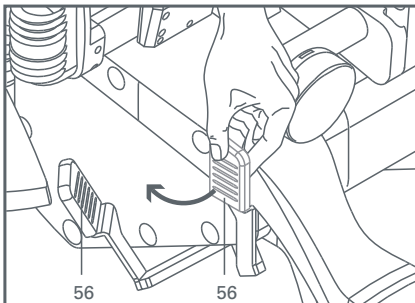
#### Electrical operation

- If the lever [56] is up next to the chassis then electrical operation is activated on the **adventure**.  
The two powered wheels can be addressed via the control unit.



During activated electrical operation the **adventure** may be parked on gradients (up or down) with a maximum inclination of 18 %.

The powered wheels are self-locking so that it is not necessary to apply an additional brake.



#### Manual operation

- To activate manual operation switch the **adventure** off and push the lever [56] away from the chassis.
- In this setting the brakes are deactivated to allow an escorting person to push the vehicle.



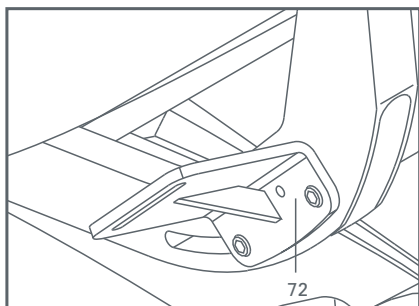
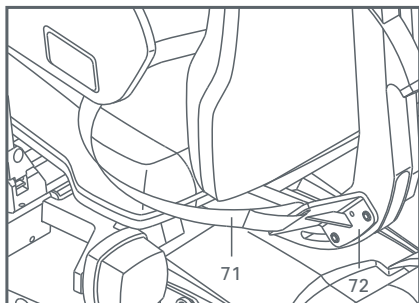
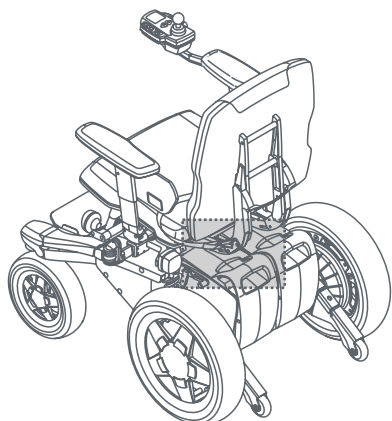
In manual operation the **adventure** may only be parked on the level as the electromechanical brake is deactivated. In an emergency, the lever [56] can be pressed forwards with light pressure so that the brake is applied and the **adventure** immediately comes to a standstill.



When electrical operation is switched on and the brake is deactivated (lever [56] pulled back) a warning signal is sounded. The brake symbol also flashes on the control unit display. In this setting the **adventure** is braked by the electrical drive and no movement is possible.

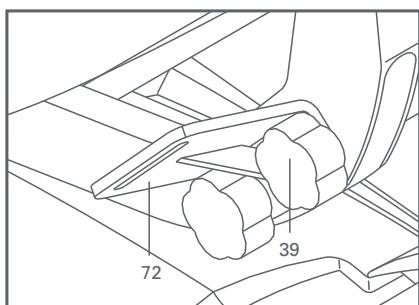
### 3.2 Lap belt (optional extra)

A lap belt [71] may be ordered from **alber** as an optional extra. It can be fitted subsequently to your **adventure** by your specialist dealer.



#### Function seat

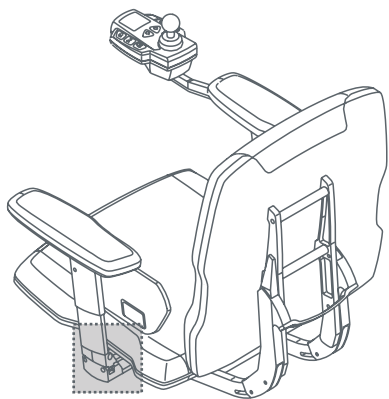
The lap belt bracket [72] is permanently attached to the function seat.



#### Standard seat

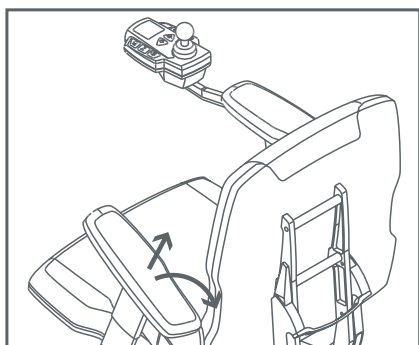
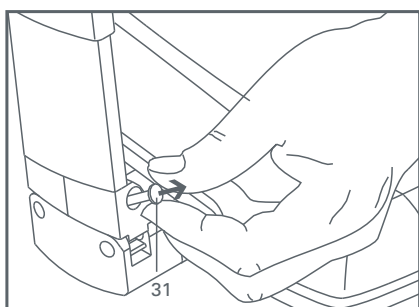
The lap belt bracket [72] is screwed to the backrest with star grips [39].

If the backrest is removed (chapter 2.22.2) and then re-attached (chapter 2.23.2), the lap belt bracket [72] must be taken off and re-attached again too.



### 3.3 Getting in and out

#### 3.3.1 Function seat



##### Getting into the **adventure**

- Position the **adventure** as close as possible to your seat (if required, ask someone else to help you).
- Make sure that the **adventure** is switched off.
- Make sure that the **adventure** is in electrical operating mode (see chapter 3.1).
- Pull out the armrest lock [31] at the lower end of the armrest.
- At the same time, fold the armrest [32] back (the armrest may be left folded back on the **adventure** or it may be removed entirely).
- Slide onto your **adventure**.
- Fold the armrest [32] back to its original position (it will click into position automatically).



**If the armrest [32] holding the control unit is to be removed entirely, then you must first pull out the control unit plug [21] (see chapter 2.10). If you do not possess sufficient muscular strength to get in, then you should ask an escorting person for help. If possible use a board to slide across.**

##### Getting out of the **adventure**

- Position the **adventure** as close as possible to your seat.
- Switch the **adventure** off.
- Switch the **adventure** into electrical operating mode (see chapter 3.1).
- Pull out the armrest lock [31] at the lower end of the armrest.
- At the same time, fold the armrest [32] back (the armrest may be left folded back on the **adventure** or it may be removed entirely).



- Get out of the **adventure**.
- Fold the armrest [32] back to its original position (it will click into position automatically).



If the armrest [32] holding the control unit is to be removed entirely, then you must first pull out the control unit plug [21] (see chapter 2.10).

If you do not possess sufficient muscular strength to get out, then you should ask an escorting person for help. If possible use a board to slide across.

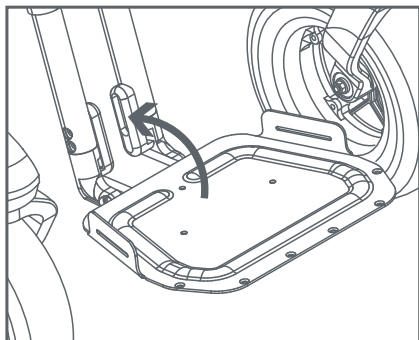
### 3.3.2 Standard seat

Getting in and out of your **adventure** is basically the same as described in chapter 3.3.1 above. On the standard seat, however, the armrest cannot be folded back, it must be removed entirely.

For details please read chapters 2.20.2 and 2.21.2.

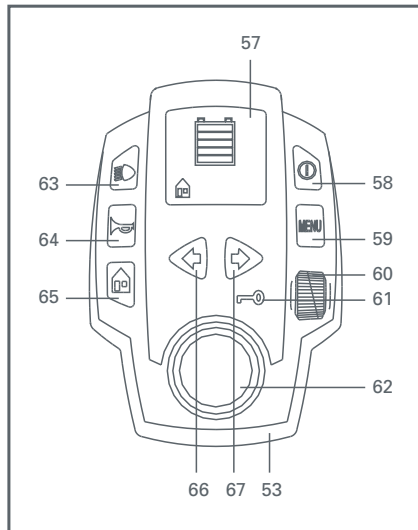
### 3.4 Footrest information

When the **adventure** is pushed without occupant, the footrests must be folded up to make sure that mud guards and wheels do not scrape on them.



## 4 Starting up

42



### 4.1 Individual elements of the control unit (overview)

All the functions of your **adventure** are executed centrally via the control unit [53], which has the following control elements:

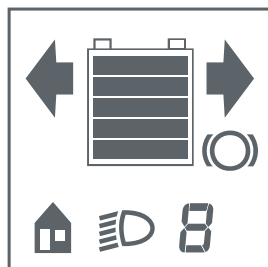
- [57] Display
- [58] On / Off button
- [59] Menu control
- [60] Maximum speed pre-selection adjusting wheel
- [61] Drive away lock
- [62] Joystick
- [63] On / Off button for lights
- [64] Horn
- [65] Button to activate the operating modes
- [66] Button to activate direction indicator (left)
- [67] Button to activate direction indicator (right)

### 4.2 On / Off button

By pressing the On / Off button [58] you cause your **adventure** to become ready / not ready for operation.

### 4.3 Indicators on the display when switching on

When the **adventure** is switched on the display [57] is automatically activated and, in quick succession, the following two standard displays appear:



Standard display 1



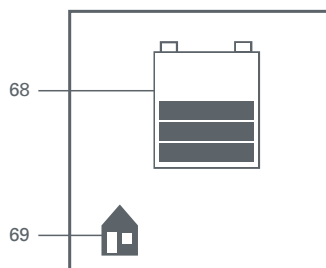
Standard display 2

At the same time a system scan is carried out to check for potential errors, which if found, are indicated by visual and acoustic signals (see chapter 4.11).

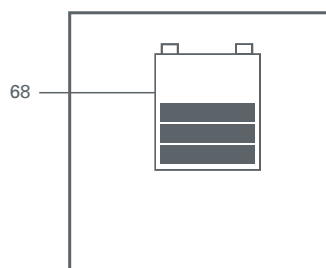
If your **adventure** is ready for operation, the display switches over to operating display mode. Here the state of charge [68] of the battery and the selected operating mode (Indoor / Outdoor) [69] are always shown.

The bar in the battery charge symbol [68] indicates the following states of charge:

- 5 black bars: Battery capacity > 95 %
- 4 black bars: Battery capacity > 80 %
- 3 black bars: Battery capacity > 60 %
- 2 black bars: Battery capacity > 40 %
- 1 black bar: Battery capacity > 20 %  
(Recharging is essential immediately)
- No black bar: The **adventure** will be switched off shortly as there is no power available any more.  
Error code 2 is displayed.



Operating mode Indoor display



Operating mode Outdoor display

The background illumination on the display goes out 30 seconds after the **adventure** is switched on, however, the current operating status continues to be shown.

#### 4.4 Menu setting

The menu control button is used to control and activate electrical seat adjustments, which may be attached. If no electrical seat adjustment motors are attached, then the button has no function.

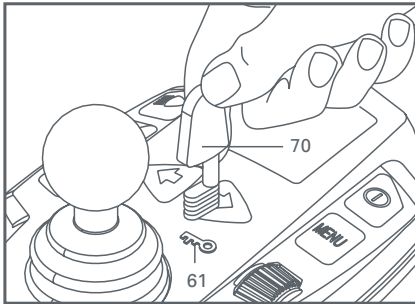
#### 4.5 Speed pre-selection

With the infinitely variable adjusting wheel [60] you can pre-select any desired maximum speed that your **adventure** should attain when the joystick is at its fullest displacement. For your first trips with the **adventure** we recommend that you select low maximum speed settings to enable you to learn how the system works.

## 4.6 Drive away lock

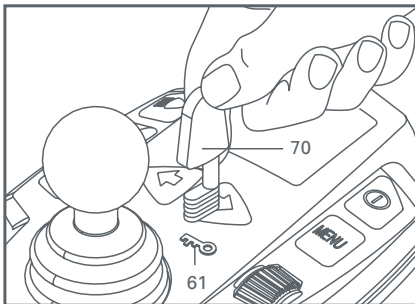
The drive away lock [61] prevents the unintentional start up of the **adventure** and avoids it being used in an unauthorized manner; it is activated / deactivated using a magnetic key.

### 4.6.1 Activating the drive away lock



- Switch the **adventure** on.
- Hold the magnetic key [70] against the symbol [61] on the control unit.
- The drive away lock is activated, the **adventure** switches off automatically.
- If the **adventure** is now switched on again the control unit is without any function, a warning indicator is shown on the display (see chapter 4.11).
- When drive away lock is activated only manual operation is possible.

### 4.6.2 Deactivating the drive away lock



- Switch the **adventure** on.
- Hold the magnetic key [70] against the symbol [61] on the control unit.
- The drive away lock is deactivated, the **adventure** can immediately be operated via the control unit.

## 4.7 Lighting

The front and rear lights of your **adventure** are switched on and off using the button [63]. A symbol is shown on the display when the lights are on.

## 4.8 Horn

By pressing the horn button [64] an audible signal is emitted which continues until the button is released again.

## 4.9 Operating modes

### 4.9.1 Factory settings

Your **adventure** can operate in two modes - Indoor and Outdoor mode.

There are different operating states behind these two modes which can be distinguished as follows:

Function	Indoor mode	Outdoor mode
Maximum speed forwards	60 % of the maximum attainable speed	100 % of the maximum attainable speed
Maximum speed backwards	3,0 km/h	3,0 km/h
Acceleration time		
Version 6 km/h	2,3 seconds	1,8 seconds
Version 10 km/h*	5,7 seconds	4,6 seconds
Version 12 km/h	6,3 seconds	5,1 seconds
Slow down time		
Version 6 km/h	2,8 seconds	2,3 seconds
Version 10 km/h*	6,9 seconds	5,7 seconds
Version 12 km/h	7,6 seconds	6,3 seconds
Turning speed		
Version 6 km/h	31 % of maximum speed	28 % of maximum speed
Version 10 km/h*	20 % of maximum speed	28 % of maximum speed
Version 12 km/h	16 % of maximum speed	15 % of maximum speed
Turning acceleration / slow down		
Version 6 km/h	0,05 seconds	0,09 seconds
Version 10 km/h*	0,04 seconds	0,09 seconds
Version 12 km/h	0,04 seconds	0,07 seconds
Horn	Active	Active
Braking onset	Time delayed by 30 seconds	Time delayed by 30 seconds
Self switch off time	1 hour	1 hour
Driving signal displacement joystick	100 %	100 %
Change of direction joystick	No change	No change

\* Not available in the USA.

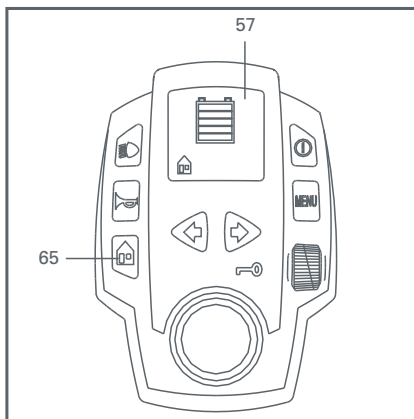
Please note the following interpretations:

- Maximum speed forwards: the maximum attainable speed when the joystick is at full displacement.
- Maximum speed backwards: the maximum attainable speed when the joystick is at full displacement
- Acceleration time: the time taken to accelerate from standstill or from the speed being travelled at to the pre-set maximum speed.
- Slow down time: the time taken for braking from the maximum speed to the desired speed or to a standstill.

- Turning speed: the maximum speed at which an arc of a circle or curve is travelled at.
- Turning acceleration / slow down: the time taken for acceleration or slowing down while moving round a bend.
- Horn: activation or deactivation of the audible signal.
- Braking onset: the time between the last issuance of a driving command until the electromagnetic brakes are applied.
- Self switch off time: the time during which the **adventure** remains ready for use before it switches itself off (to save energy).
- Driving signal displacement joystick: the maximum joystick displacement required in order to give a driving command.
- Change of direction joystick: changing the direction of movement stored in the joystick.

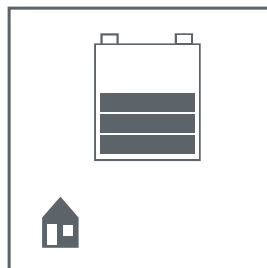


**All the above driving parameters can be adjusted to your individual requirements. Please contact your specialist dealer for this. He will be happy to advise you and to program the desired settings for you.**

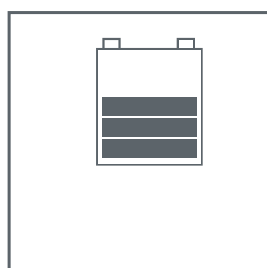


#### 4.9.2 Selection of the desired driving mode

Indoor or Outdoor mode is activated by pressing the button [65]. A visual control indicator is shown on the display [57].



Display shows:  
Indoor mode activated („House“ visible)



Outdoor mode activated („House“ not visible)

## 4.10 Direction indicators and hazard warning lights

By pressing the button [66] you turn on the left direction indicator, by pressing the button [67] you turn on the one to the right. Pressing the respective button again turns the indicator off.

If both buttons ([66] and [67]) are pressed simultaneously, you will turn on the hazard warning lights. To turn them off, simply press one of the two buttons [66] or [67].



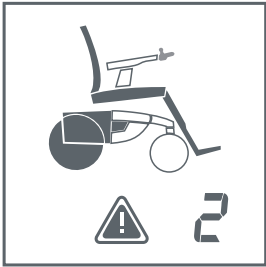
Activating them results in a corresponding indication on the display.

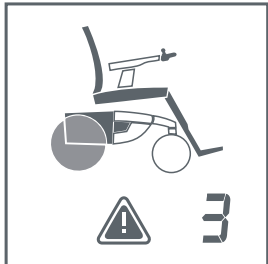



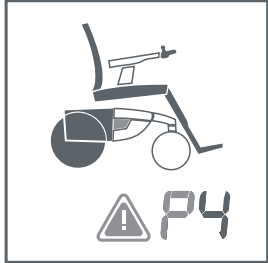

## 4.11 Fault indications on the display

Prior to driving your **adventure** you should carry out a functional check on it.

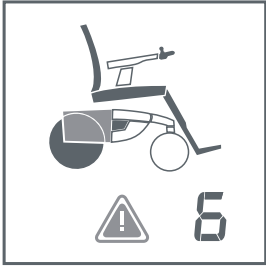

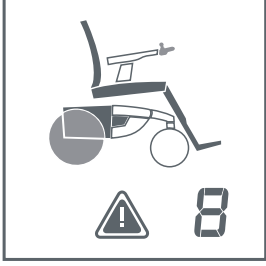
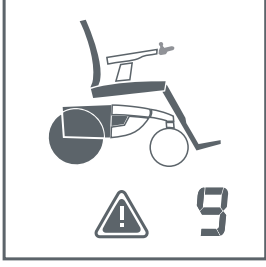


Check that all components are properly tight, that the steering wheels move freely and test the brakes on level ground. The batteries should also be fully charged.

Faults that may occur on your **adventure** are indicated on the display of the control unit. The following indications are possible:

Display indication (letters flash)	Fault description	What to do
	Control unit symbol flashes Exclamation mark lit up Code 0	Hardware fault on control unit Contact your specialist dealer or the <b>alber</b> Service Center
	Control unit symbol flashes Exclamation mark flashes Code 1	EEPROM faulty or wrongly coded Contact your specialist dealer or the <b>alber</b> Service Center
	Control unit symbol flashes Exclamation mark lit up Code 2	Batterie voltage range error 1. Battery defective. Check where 2 batteries are involved by inserting separately in central position. Check/replace defective fuse on battery or replace complete battery. 2. Battery fully charged. Overvoltage error when driving uphill. Remedy approx. 0,5 km uphill! 3. Battery flat! Charge storage batteries

	<p>Drive symbol flashes Exclamation mark lit up Code 3</p>	<p>Uneven drive coding</p>	<p>Fit power-assisted wheels with identical speed values on both sides</p>
	<p>Drive symbol flashes Exclamation mark lit up Letter »L« flashes Code L4</p>	<p>No communication with „left“ drive</p>	<p>Switch wheels. Contact your specialist dealer or the <b>alber</b> Service Center if the error code continues to be displayed</p>
	<p>Drive symbol flashes Exclamation mark lit up Letter »R« flashes Code R4</p>	<p>No communication with „right“ drive</p>	<p>Switch wheels. Contact your specialist dealer or the <b>alber</b> Service Center if the error code continues to be displayed</p>
	<p>Interface symbol flashes Exclamation mark lit up Letter »S« flashes Code S4</p>	<p>No communication with interface</p>	<p>Contact your specialist dealer or the <b>alber</b> Service Center</p>
	<p>Interface symbol flashes Exclamation mark symbol flashes Letter »P« flashes Code P4</p>	<p>No communication with peripheral module</p>	<p>Contact your specialist dealer or the <b>alber</b> Service Center</p>
	<p>Control unit symbol flashes Exclamation mark lit up Code 5</p>	<p>Joystick fault on control unit</p>	<p>Contact your specialist dealer or the <b>alber</b> Service Center</p>



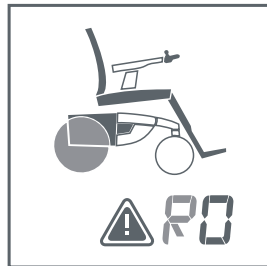
	<p>Battery symbol flashes Exclamation mark flashes Code 6</p>	<p>Battery configuration error and/or detection faulty (L6 = left battery pack R6 = right battery pack)</p>	<p>1. Driving with 1 battery pack: battery not inserted in central position! 2. Driving with 2 battery packs: - one battery set defective - battery fuse (40A) defective - battery detection in interface defective Rapid error diagnosis by inserting the batteries consecutively in the middle position!</p>
	<p>Control unit symbol flashes Interface symbol flashes Exclamation mark lit up Code 7</p>	<p>No communication with special control</p>	<p>Driving with control unit possible after reactivation on control panel! Contact your specialist dealer or the <b>alber</b> Service Center if the error code continues to be displayed</p>
	<p>Control unit symbol flashes Drive symbol flashes Exclamation mark lit up Code 8</p>	<p>Drive unit not compatible with control unit</p>	<p>Fit power-assisted wheels permitted for top speed limit</p>
	<p>Control unit symbol flashes Exclamation mark symbol lit up Code 9</p>	<p>CPU fault on control unit</p>	<p>Contact your specialist dealer or the <b>alber</b> Service Center</p>
	<p>Control unit symbol flashes Exclamation mark symbol lit up Code 10</p>	<p>RAM error on control unit</p>	<p>Contact your specialist dealer or the <b>alber</b> Service Center</p>
	<p>Control unit symbol flashes Exclamation mark symbol lit up Code 11</p>	<p>ROM horizontal parity error on control unit</p>	<p>Contact your specialist dealer or the <b>alber</b> Service Center</p>



Drive symbol flashes  
Exclamation mark lit up  
Letter »L« flashes  
Code L0

„Left“ drive hardware/  
system error

Contact your specialist  
dealer or the  
**alber** Service Center



Drive symbol flashes  
Exclamation mark lit up  
Letter »R« flashes  
Code R0

„Right“ drive hardware/  
system error

Contact your specialist  
dealer or the  
**alber** Service Center



Drive symbol flashes  
Temperature symbol lit up  
Exclamation mark lit up  
Letter »L« flashes  
Code L1

„Left“ drive overload  
switch-off

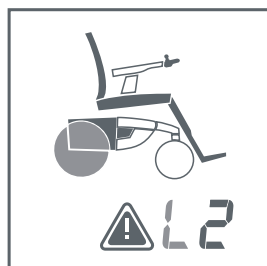
Brief overloading de-  
activates temperature!  
System is operationally  
ready again after  
deactivation and  
reactivation



Drive symbol flashes  
Temperature symbol lit up  
Exclamation mark lit up  
Letter »R« flashes  
Code R1

„Right“ drive overload  
switch-off

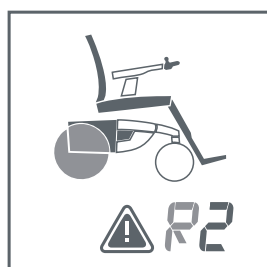
Brief overloading de-  
activates temperature!  
System is operationally  
ready again after  
deactivation and  
reactivation



Drive symbol flashes  
Exclamation mark lit up  
Letter »L« flashes  
Code L2

„Left“ drive battery  
voltage range error

Switch wheels.  
Contact your specialist  
dealer or the  
**alber** Service Center  
if the error code  
continues to be  
displayed



Drive symbol flashes  
Exclamation mark lit up  
Letter »R« flashes  
Code R2

„Right“ drive battery  
voltage range error

Switch wheels.  
Contact your specialist  
dealer or the  
**alber** Service Center  
if the error code  
continues to be  
displayed



Drive symbol flashes  
Temperature symbol lit up  
Exclamation mark lit up  
Letter »L« flashes  
Code L3

„Left“ drive operating  
temperature switch-off

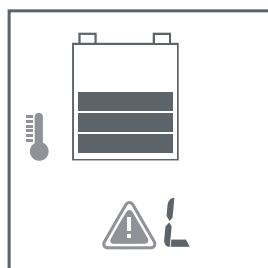
Drive overheating de-  
activates temperature!  
Allow system to cool!  
(Cooling period  
depends on ambient  
temperature!)



Drive symbol flashes  
Temperature symbol lit up  
Exclamation mark lit up  
Letter »R« flashes  
Code R3

„Right“ drive operating  
temperature switch-off

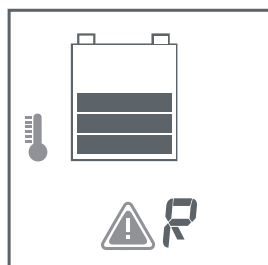
Drive overheating de-  
activates temperature!  
Allow system to cool!  
(Cooling period  
depends on ambient  
temperature!)



Temperature symbol flashes  
Exclamation mark flashes  
Battery capacity  
display lit up  
Code L

„Left“ drive operating  
temperature warning

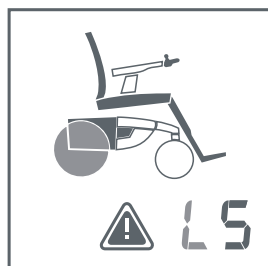
Drive overheating  
warning!  
Reduce load, otherwise  
temp. system shutdown  
with error L3/R3!



Temperature symbol flashes  
Exclamation mark flashes  
Battery capacity  
display lit up  
Code R

„Right“ drive operating  
temperature warning

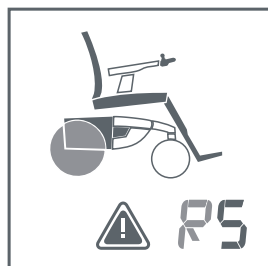
Drive overheating  
warning!  
Reduce load, otherwise  
temp. system shutdown  
with error L3/R3!



Drive symbol flashes  
Exclamation mark  
symbol lit up  
Letter »L« flashes  
Code L5

Wheel code/„Left“  
electronic drive error

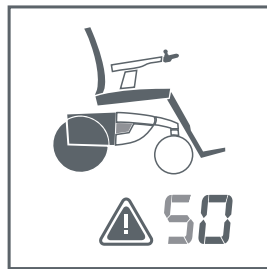
Contact your specialist  
dealer or the **alber**  
Service Center



Drive symbol flashes  
Exclamation mark  
symbol lit up  
Letter »R« flashes  
Code R5

Wheel code/„Right“  
electronic drive error

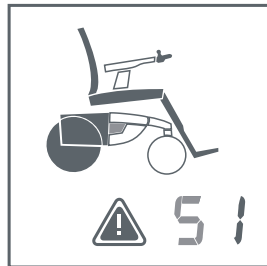
Contact your specialist  
dealer or the **alber**  
Service Center



Interface symbol flashes  
Exclamation mark lit up  
Letter »S« flashes  
Code S0

Hardware fault  
at the interface

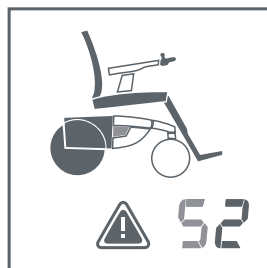
Contact your specialist  
dealer or the **alber**  
Service Center



Interface symbol flashes  
Exclamation mark  
symbol lit up  
Letter »S« flashes  
Code S1

CPU fault on interface

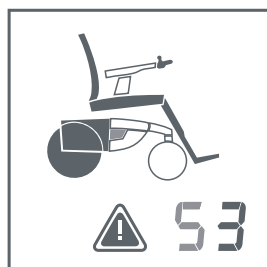
Contact your specialist  
dealer or the **alber**  
Service Center



Interface symbol flashes  
Exclamation mark  
symbol lit up  
Letter »S« flashes  
Code S2

RAM error on interface

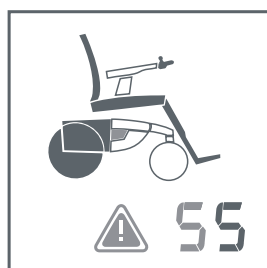
Contact your specialist  
dealer or the **alber**  
Service Center



Interface symbol flashes  
Exclamation mark  
symbol lit up  
Letter »S« flashes  
Code S3

ROM horizontal parity  
error on interface

Contact your specialist  
dealer or the **alber**  
Service Center

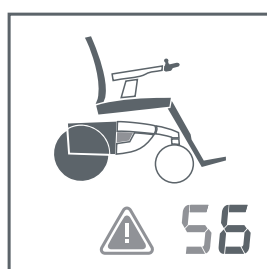


Interface symbol flashes  
Exclamation mark  
symbol flashes  
Letter »S« flashes  
Code S5

»Left« indicator  
light defective

Defective indicator  
light (change bulb)

Contact your specialist  
dealer or the **alber**  
Service Center if the  
fault cannot be  
remedied in this manner

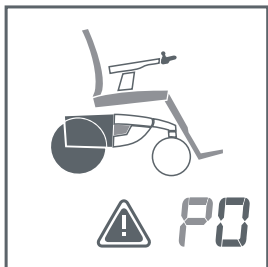

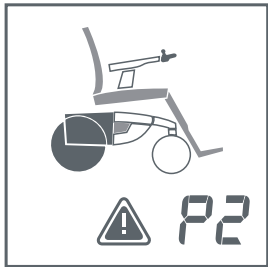
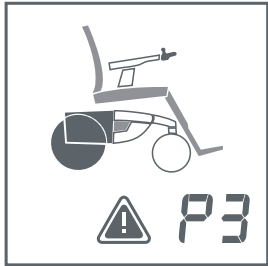
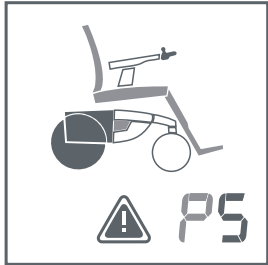
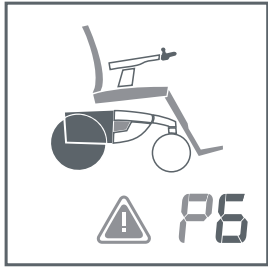


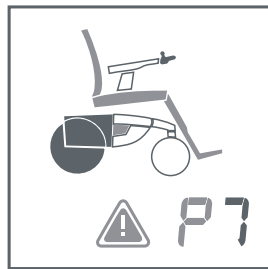
Interface symbol flashes  
Exclamation mark  
symbol flashes  
Letter »S« flashes  
Code S6

»Right« indicator  
light defective

Defective indicator  
light (change bulb)

Contact your specialist  
dealer or the **alber**  
Service Center if the  
fault cannot be  
remedied in this manner

	<p>Complete seat unit* flashes</p> <p>Interface symbol flashes</p> <p>Exclamation mark symbol lit up</p> <p>Letter »P« flashes</p> <p>Code P0</p>	<p>Hardware fault on peripheral module (different drive and/or relay actuation)</p>	<p>Contact your specialist dealer or the <b>alber</b> Service Center</p>
	<p>Complete seat unit* flashes</p> <p>Interface symbol flashes</p> <p>Exclamation mark symbol illuminates</p> <p>Code P1</p>	<p>CPU fault on peripheral module</p>	<p>Contact your specialist dealer or the <b>alber</b> Service Center</p>
	<p>Complete seat unit* flashes</p> <p>Interface symbol flashes</p> <p>Exclamation mark symbol lit up</p> <p>Code P2</p>	<p>RAM error on peripheral module</p>	<p>Contact your specialist dealer or the <b>alber</b> Service Center</p>
	<p>Complete seat unit* flashes</p> <p>Interface symbol flashes</p> <p>Exclamation mark symbol lit up</p> <p>Code P3</p>	<p>ROM horizontal parity error on peripheral module</p>	<p>Contact your specialist dealer or the <b>alber</b> Service Center</p>
	<p>Complete seat unit* flashes</p> <p>Interface symbol flashes</p> <p>Exclamation mark symbol lit up</p> <p>Letter »P« flashes</p> <p>Code P5</p>	<p>Erroneous potentiometer position feedback signal (only applies to drives with feedback signal)</p>	<p>Contact your specialist dealer or the <b>alber</b> Service Center</p>
	<p>Complete seat unit* flashes</p> <p>Interface symbol flashes</p> <p>Exclamation mark symbol flashes</p> <p>Letter »P« flashes</p> <p>Code P6</p>	<p>Multiple occupancy of »left« and/or »right« indicator key function</p>	<p>Contact your specialist dealer or the <b>alber</b> Service Center</p>



Complete seat unit\*  
flashes

Interface symbol  
flashes

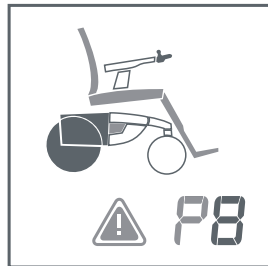
Exclamation mark  
symbol flashes

Letter »P« flashes

Code P7

Multiple occupancy of  
»decelerate« and/or  
»accelerate« indicator  
key function

Contact your specialist  
dealer or the **alber**  
Service Center



Complete seat unit\*  
flashes

Interface symbol flashes

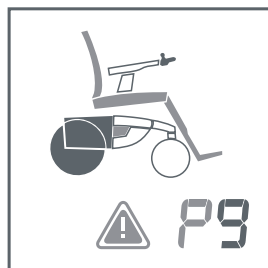
Exclamation mark symbol  
flashes

Letter »P« flashes

Code P8

No counter-function  
to »left« and/or »right«  
indicator key  
function exists

Contact your specialist  
dealer or the **alber**  
Service Center



Complete seat unit\*  
flashes

Interface symbol  
flashes

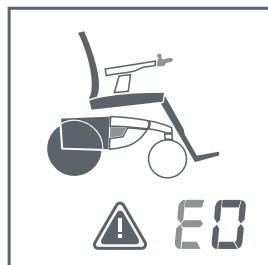
Exclamation mark  
symbol flashes

Letter »P« flashes

Code P9

No counter-function to  
»decelerate« and/or  
»accelerate« indicator  
key function exists

Contact your specialist  
dealer or the **alber**  
Service Center



Control unit  
symbol flashes

Interface symbol  
flashes

Exclamation mark  
symbol lit up

Letter »E« flashes

Code E0

Hardware fault on  
special control

Contact your specialist  
dealer or the **alber**  
Service Center



Control unit  
symbol flashes

Interface symbol  
flashes

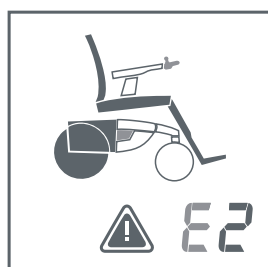
Exclamation mark  
symbol lit up

Letter »E« flashes

Code E1

CPU fault on special  
control

Contact your specialist  
dealer or the **alber**  
Service Center



Control unit  
symbol flashes

Interface symbol  
flashes

Exclamation mark  
symbol lit up

Letter »E« flashes

Code E2

RAM error on  
special control

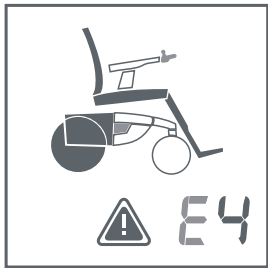
Contact your specialist  
dealer or the **alber**  
Service Center



Control unit symbol flashes  
Interface symbol flashes  
Exclamation mark symbol lit up  
Letter »E« flashes  
Code E3

ROM horizontal parity error on special control

Contact your specialist dealer or the **alber** Service Center



Control unit symbol flashes  
Interface symbol flashes  
Exclamation mark symbol lit up  
Letter »E« flashes  
Code E4

Joystick fault on special control

Contact your specialist dealer or the **alber** Service Center



Control unit symbol flashes  
Interface symbol flashes  
Exclamation mark symbol lit up  
Letter »E« flashes  
Code E5

Internally-defined error on special control

Contact your specialist dealer or the **alber** Service Center



Control unit symbol flashes  
Interface symbol flashes  
Exclamation mark symbol flashes  
Letter »E« flashes  
Code E6

Internally-defined warning 1 on special control

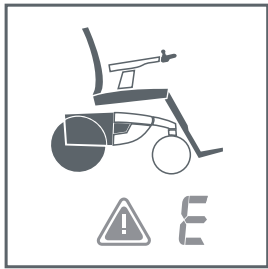
Contact your specialist dealer or the **alber** Service Center



Control unit symbol flashes  
Interface symbol flashes  
Exclamation mark symbol flashes  
Letter »E« flashes  
Code E7

Internally-defined warning 2 on special control

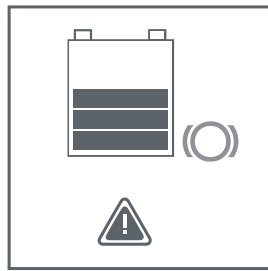
Contact your specialist dealer or the **alber** Service Center



Letter »E« flashes  
Exclamation mark symbol flashes  
Code E

Special control not functioning

Contact your specialist dealer or the **alber** Service Center



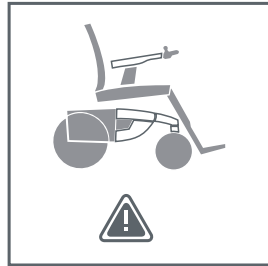
Brake symbol flashes

Battery capacity display lit up

Exclamation mark lit up

Left and right brake manually vented (L = left brake only, R = right brake only)

Move braker lever to driving position!  
Additional L or R display indicates actuating pin jammed in wheel ejector or drive  
1. Remove wheels, check actuating pin and Bowden cable in wheel ejector  
2. Switch wheels from left to right (indicates which actuating pin may be jammed in drive)



Entire wheelchair symbol flashes

Exclamation mark lit up

Parking brake active

Deactivate with magnetic key on control unit key symbol!

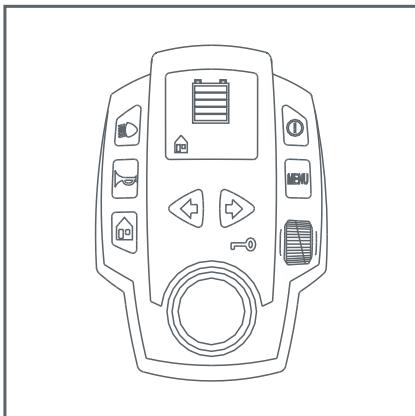


The complete seat unit specified in the “**Display indication**” column consists of the **backrest, seat and leg support**. These 3 symbols should flash together in the event of Code “P” faults occurring.

## 4.12 Joystick steering

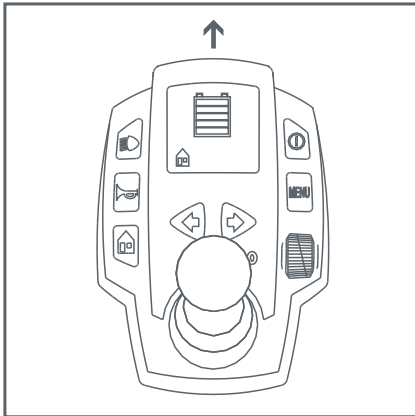
The function of the joystick on your **adventure** may best be described as a fictitious combination of the steering wheel, gear change and accelerator of a motor car. That means that all control commands from the driver of the **adventure** are transmitted to the two powered wheels via the joystick. In this respect driving the **adventure** takes a bit of getting used to and should initially, for the first few driving hours, take place exclusively at the lowest speed and on open ground.

### Driving behaviour (as seen by the driver)

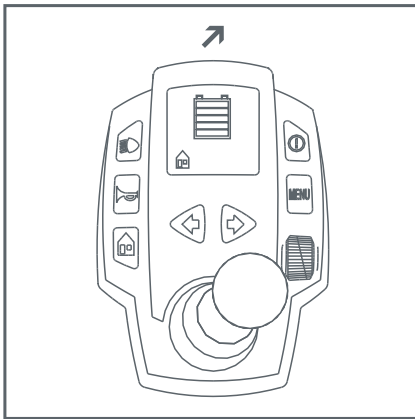


Standstill

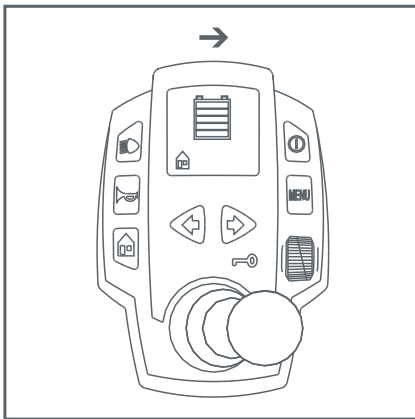




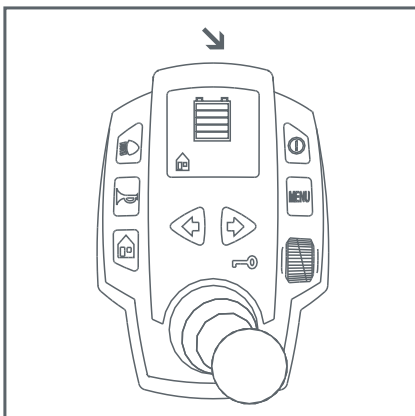
The **adventure** travels forwards in a straight line



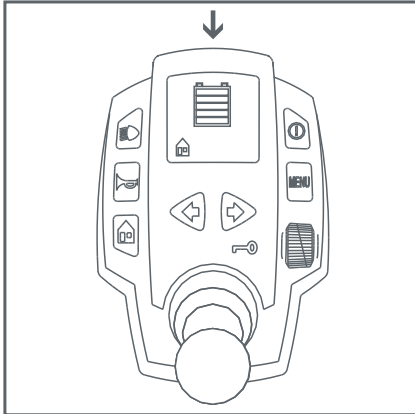
In travelling forwards, the **adventure** describes a bend to the right. The radius of the curve depends on the displacement of the joystick.



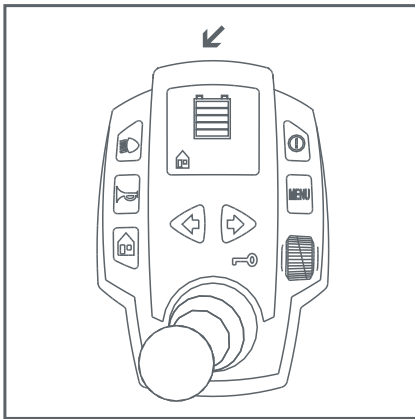
The **adventure** turns to the right on the spot



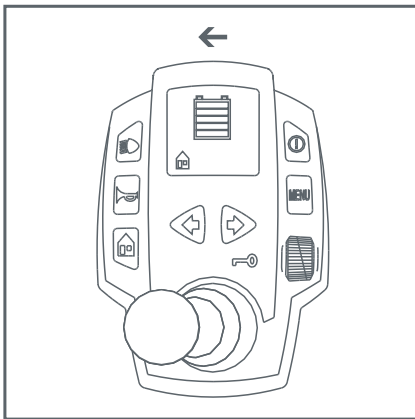
In travelling backwards, the **adventure** describes a bend to the left. The radius of the curve depends on the displacement of the joystick.



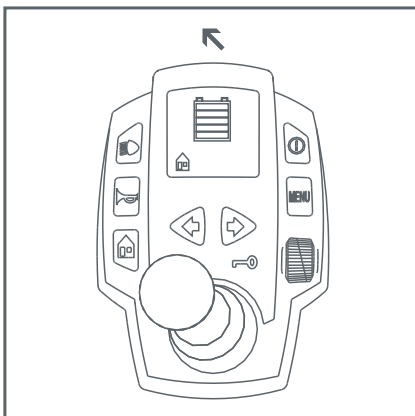
The **adventure** travels backwards in a straight line



In travelling backwards, the **adventure** describes a bend to the right. The radius of the curve depends on the displacement of the joystick.



The **adventure** turns to the left on the spot



In travelling forwards, the **adventure** describes a bend to the left. The radius of the curve depends on the displacement of the joystick.

The centre position of the joystick is functionless, i.e. the wheels stand still and are simultaneously blocked by the internal brakes. Despite that the **adventure** should not be parked on slopes (up or down) with a gradient of more than 18 %.

The joystick works just like the accelerator on a motor car. The speed may be varied at will between the joystick's initial position (standstill) and its full displacement (maximum speed).



**Please be sure to observe the instructions in the following chapters with regard to your first driving efforts.**

## 5 Instructions for driving

### 5.1 Driver safety

The safety and welfare of the driver are of prime importance. Consequently it is absolutely vital to learn the driving properties of the **adventure**.

Your specialist dealer for medical equipment or the **alber** district manager are there to support you during the free guarantee instruction briefing.

### 5.2 First driving tests

These should ideally take place under conditions where there is plenty of room, as the inexperienced driver seems to have a tendency to collide with furniture and other household equipment. It is therefore recommended that you practise in the open, for example in a yard, a car park or similar space.

Start the **adventure** with its lowest speed setting (see chapter 4.5) and learn its driving characteristics under those conditions.

Set yourself some simple driving tasks and carry them out rigorously in a self-developed training programme.

It is impossible to force driving success, but it comes automatically after a certain amount of training.

Driving training pays off in a very short time. Your steering movements with the joystick become more assured and your driving more precise.

Increase the speed only very gradually. Indoors it is recommended that you maintain a low driving speed in any case.

### 5.3 Instructions for driving the adventure

To start up never press the joystick right over to its full displacement. Particularly if the maximum speed has been pre-set, it could lead to movements of the vehicle which the driver finds uncontrollable and there is a risk of accidents.

Always move the joystick gently and without jerking.

Avoid jerking the joystick over to its maximum displacement, in particular in situations of potential danger that you wish to get out of the way of. As a precaution, brake the **adventure** until it comes to a standstill.

When the joystick is released your **adventure** is braked. If it is necessary to brake in an emergency (immediate standstill), press the joystick briefly in the opposite direction to the one being travelled in and let it go.

Never drive parallel to steep slopes or similar terrain. A possible unintentional shift in the centre of mass of the **adventure** could result in it tipping sideways.

When driving close to steeply sloping kerbs or similar, steer a little against them.

Never cross minor obstructions such as kerbs by driving in parallel to them. Instead take such obstructions at right angles. This means that both wheels cross the obstruction at the same time and not one after the other. Always use a low speed, appropriate to the obstruction.

Check the air pressure in the tyres at regular intervals. It influences both the driving characteristics and the range of the **adventure**.

When crossing larger obstructions it is essential to have the support of an escorting person as there is a greater danger of tipping up.

When driving on public roads the regulations of the Road Traffic Act must be observed. Your **adventure** is technically fitted out with the prescribed equipment.

Replace tyres with worn treads or that are damaged promptly. Your specialist medical dealer or one of the **alber** representatives will be happy to assist you in this.

The transfer to or from a wheelchair requires a lot of physical strength. If necessary, allow someone to help you do this.

Prior to undertaking the transfer, switch the **adventure** off. That will avoid any unintentional movements through accidental contact with the control unit. You should also make sure that the parking brakes are activated (see chapter 3.1 „Switching from electrical to manual operation“), to prevent the wheelchair rolling away accidentally.

When driving in confined spaces watch your lower arms. If the driveway is very narrow there is a risk of injury.

Adjust your speed accordingly when going round bends. Avoid driving around sharp bends at maximum speed, particularly when the ground is also sloping. There is a risk that the **adventure** will topple over.

Avoid driving on very smooth surfaces and roads. There is a greater risk of accidents here.

To avoid crushing your limbs you must not place them within the range of movement of adjusting devices (handles, leg supports, etc.), while you are touching them.

When carrying items make sure that they do not interfere with the functional areas of the **adventure**. Therefore do not hang bags on the sides of the **adventure** (they could accidentally get into the wheels), or on the joystick controller (risk of unintentional acceleration or braking).

Adjust your speed to your strength. Sudden braking or fast driving around bends demand a corresponding amount of effort from the driver to hold himself / herself in place.

If possible, do not drive alone or in areas where there are no other people, so that in case of a fault or a medical emergency it is always possible to get help.

In manual operation mode (deactivated electromagnetic brake and vehicle switched off), with an escorting person, you do not have access to a handbrake. In this mode, therefore, the **adventure** must only be placed on level ground.

Activate electrical operation mode (fold the lever [56] towards the chassis, see chapter 3.1) without switching the **adventure** on. In this mode of operation an accidental rolling away is prevented by the de-energised, self-locking powered wheels.

For special driving conditions such as surmounting steep gradients, obstructions or under poor road conditions call on an escorting person to help you.

Under no circumstances must you overload your **adventure** beyond its permitted overall weight or additional weight.

Particularly on sloping ground, brake your **adventure** gently and not jerkily. There is a greater risk of accidents here.

Avoid driving backwards on slopes. There is a risk of turning over, particularly when braking jerkily.

Never cover the signal and lighting equipment with clothing, bags or similar items

When an **adventure** is ordered its suspension is adjusted to the body weight you specify. Therefore if there is a large gain or loss in weight you should get your specialist dealer to readjust the chassis suspension. Without a readjustment, if the user gains a large amount of weight, there is a danger that the chassis may be damaged; if there is a large loss in weight the user's personal comfort during driving is reduced.

#### 5.4 Dangerous ground and dangerous situations

Taking into account his driving skills and physical abilities, the **adventure** driver decides for himself which routes he will travel.

Prior to setting off he must check the **adventure** for worn or damaged tyres, as well as the state of charge of the batteries and the proper functioning of the direction indicators.

These safety checks, as well as the requisite personal driving skills, are particularly important near the following dangerous ground, which should only be tackled at the discretion of the **adventure** driver:

- Quay walls, landing and berthing points, paths and places close to water, unsecured bridges and dikes
- Narrow paths, sloping ground (e.g. ramps and driveways), narrow paths beside inclines, mountain routes
- Narrow and / or sloping paths close to main arterial roads or close to chasms
- Leaf- and snow-covered or icy driving routes
- Ramps and lifting equipment on vehicles.



Slopes with a maximum gradient of 18 % can be driven on with the adventure without the assistance of an escorting person. However, important prerequisites are faultless tyre treads, correct tyre air pressure, a completely safe terrain and a maximum load of 140 kg.

Slopes with a maximum gradient in excess of 18 % must only be driven on with the adventure with the assistance of an escorting person. Here too essential prerequisites are faultless tyre treads, correct air pressure in all tyres, a completely safe terrain and a maximum load of 140 kg.

An escorting person is also necessary for crossing

- Kerbs with a gradient in excess of 15 %
- Obstructions of all kinds on sloping ground

as there is a greater risk of tipping over in these cases.

Particular care should always be taken when crossing main arterial roads, cross roads and level crossings. Never cross rail tracks in the road or at level crossings by driving in parallel to them as the wheels could get wedged in. If possible always ask some person to escort you who can push you over the road or level crossing in the event that you get stuck (e.g. due to the batteries being empty).

Great care should be taken in driving on ramps attached to vehicles. During the lifting or lowering procedure the adventure must be switched off and the freewheel operation deactivated. This prevents the adventure rolling away, e.g. through unintentionally issued driving commands; and if required, an escorting person should be asked to stand by.

When it is wet the tyres have less grip on the road surface; there is a greater risk of slipping. Please adjust your driving style accordingly.

## 5.5 Range

One of the most pressing questions asked by every user of the **adventure** is what the range of the system is.

In general, it can be stated that it will be about 45 km when both batteries are in operation and about 20 km when only one is in use.

These are ideal figures and relate to travel on level, made-up ground. Deviations from these figures result from topographical conditions, the ambient temperature, the surface being driven on, tyre pressure and weight of the driver.

## 5.6 Storage, transport, shipping

### 5.6.1 Storage

If your **adventure** is not going to be used for a longer period of time, then the vehicle and especially the batteries, must be stored in a dry place, ideally at a room temperature of +15 °C to 25 °C.

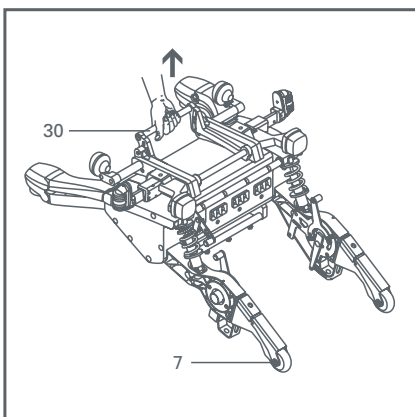
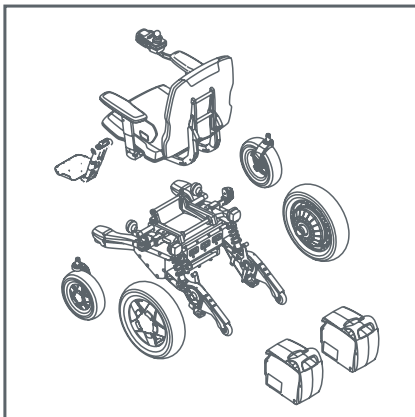
In a case where the vehicle is just being stored and not used at all, the batteries should be connected to the automatic mains charger supplied by **alber** every two months and fully charged. This ensures that the **adventure** will be completely functional even after a longer period of storage.

The batteries are dry cells that will not leak if handled correctly. They are maintenance free, apart from the above need to charge them. The batteries should preferably be stored standing upright (as when they are installed in the **adventure**).

For further details about batteries please see chapter 1.3.

### 5.6.2 Transport

As already mentioned in previous chapters, your **adventure** may be dismantled into several components. No special tools are required for this.



In order to transport the chassis it can be lifted by the holder stay [30] and may then be pulled or pushed along on the tilt support [7] wheels.

### 5.6.3 Shipping

If you plan to ship your **adventure**, then please dismantle it into its individual component parts. You can find the packing volume and dimensions on the overview pages of these Operating Instructions.



### 6.1 Cleaning

- All upholstery on the **adventure** can be cleaned with water.
- Plastic parts can be cleaned with commercially available, non-aggressive detergents.
- In its assembled state, the chassis and wheels can be cleaned using a garden hose.
- Removed wheels must only be cleaned with a damp (not wet) cloth.
- The holders for the powered and steering wheels must always be free of dirt. Cleaning must be carried out exclusively with a dry cloth.
- Steam or high-pressure cleaning devices must not be used.
- Use only household cleaning agents diluted in water - under no circumstances must benzene or similar solvents be used.

### 6.2 Maintenance

Under normal use, your **adventure** is a very low maintenance device. From time to time it should be checked that all attached parts are still tight, however.

For safety reasons the vehicle should be maintained every two years. Even if externally there appears to be no damage and everything is functioning properly. For maintenance work please contact your specialist dealer or your **alber** district manager.

### 6.3 Disposal

Your **adventure** is a product with a long useful life. At the end of its useful service life it may be returned to **alber** or an **alber** district manager for proper disposal.

## 7 Service life guarantee and liability

### 7.1 Service life guarantee

The service life guarantee period for the **adventure** is 24 months (for batteries 12 months) and begins the day that the vehicle is handed over to the purchaser.

Excluded from the service life guarantee are:

- Parts subject to wear.
- Maintenance work arising from daily use.
- Faults resulting from natural wear and incorrect usage, in particular not observing the operating instructions.
- Accidents, negligent damage, fire, water damage, acts of god and other causes beyond the control of **alber**.
- Checking the device and finding no defects.
- Devices whose serial number has been changed, disfigured or removed.

In particular the General Standard Terms and Conditions of Ulrich Alber GmbH apply.

### 7.2 Liability

Ulrich Alber GmbH, as manufacturer of the **adventure**, is not responsible for its safety if

- the **adventure** has been handled improperly
- the **adventure** is not maintained every two years by an authorised specialist dealer or Ulrich Alber GmbH
- the **adventure** is used in contravention of the instructions contained in this operating manual
- repairs or other tasks are carried out by anyone other than authorised persons
- foreign parts are attached to or combined with the **adventure**
- parts of the **adventure** are dismantled or converted.

<b>A</b>		
	Armrest, fitting	29
	Armrest, swivelling or removing	28
<b>B</b>		
	Backrest cushion, fitting	34
	Backrest cushion, removing	33
	Backrest, fitting	32
	Backrest, folding down	33
	Backrest, removing	30
	Batteries, general information	11
	Batteries, installing	13
	Batteries, removing	12
	Battery charger	10
	Battery charging	21
<b>C</b>		
	Cleaning	65
	Control unit, connecting or disconnecting	20
	Control unit, fitting	37
	Control unit, individual elements	42
	Control unit, removing	36
<b>D</b>		
	Dangerous ground	62
	Dimensions of <b>adventure</b>	6, 10
	Direction indicator light bulb, replacing	22
	Direction indicators	47
	Display indicators when switching on	42
	Display, fault indications	47
	Disposal	65
	Drive away lock	44
	Driver safety	60
	Driving	38
	Driving instructions	60
	Driving mode selection	46
<b>E</b>		
	Electrical operation	38
<b>F</b>		
	Factory settings	45
	Fault indications on the display	47
	First driving tests	60
	Footrests, folding up	20
	Front light bulb, replacing	22
	Fuse in the battery, replacing	24
	Fuse in the chassis, replacing	24
<b>G</b>		
	Getting in and out	40
<b>H</b>		
	Horn	44
<b>I</b>		
	Individual functions	12
	Indoor mode	46
	Interface	25
<b>J</b>		
	Joystick steering	56

<b>L</b>		
	Lap belt	39
	Leg support, fitting	19
	Leg support, removing	18
	Liability	66
	Lighting	44
<b>M</b>		
	Maintenance	65
	Manual operation	38
	Menu setting	43
<b>O</b>		
	On / Off button	42
	Operating modes	45
	Optional parts	8
	Outdoor mode	46
<b>P</b>		
	Packing volume	6, 7
	Powered wheels, fitting	15
	Powered wheels, removing	14
<b>R</b>		
	Range	63
	Rear light bulb, replacing	23
<b>S</b>		
	Safety instructions	5
	Seat cushion, fitting	35
	Seat cushion, removing	35
	Seat, folding down or removing	26
	Seating unit, fitting	27
	Service life guarantee	66
	Shipping	64
	Speed pre-selection	43
	Standard delivery schedule	8
	Starting up	42
	Steering wheels, fitting	17
	Steering wheels, removing	17
	Storage	64
<b>T</b>		
	Technical data	9
	Transport	64
<b>W</b>		
	Warning lights	47
	Weight of individual components	9



Ulrich Alber GmbH  
Vor dem Weißen Stein 21  
72461 Albstadt

Telefon 07432 2006-0  
Telefax 07432 2006-299  
[www.alber.de](http://www.alber.de)

50.0001.4.99.03