

Spare Parts Catalogue

Version: 2015/10/08a NL



Invacare® **XLT Max**



Yes, you can.®

General Information

For any order of spare parts the following information is required:

- Product type*
- Product name & model*
- Serial Number*
- Part-Number*
- Part-Description*

Exploded view drawings and code numbers are not contractual and subject to modification, in relation to Invacare® continuous product improvement policy to meet end users needs.

The reproduction or use of this work, or of any substantial part of this work, in any form or by any electronic, mechanical or other means, including photocopying, scanning and recording, and in any information storage and retrieval system, including electronic transmission, is forbidden without the prior written permission of Invacare® International Sarl.



Yes, you can.®

TABLE OF CONTENTS

(Chassis)

(Chassis)	5
(Rear wheel attachment)	6
(Castor attachment)	7

(Seat)

(Seat upholstery)	8
(Seat cushion, Flo-tech Contour)	9

(Backrest)

(Backrest frame)	10
(Backrest body and cover)	11
(Backrest plug (no handles))	12
(Push handles, Titanium)	13
(Push handles, external)	14

(Footrests)

(Footbow)	15
(Calf strap)	16
(Footrest, high mounted)	17
(Footboard, XLT Max)	18

(Siderests)

(Armrest Rio, Height Adj.)	19
(Armrest Max, reinforced)	20
(Armrest attachment)	21
(Sideguard)	22
(Mudguard)	23

(Front Wheels)

(Castor wheels)	24
-----------------------	----

(Rear Wheels)

(Wheel 24")	25
(Handrim Stainless Cpl, 24" Wheel, Std2010)	26
(Wheel 24" db)	27
(Handrim Stainless Cpl, 24" Wheel, Std2010)	26

(Brakes)

(Brake, Standard)	28
(Drumbrake, assistant manoeuvred XLT Max)	29
(Drumbrake, assistant manoeuvred (=> 2010.11))	30

(Safety Options)

(Pelvic belt, Max)	31
(Anti-tip device, Extended)	32
(Reflector)	33



Yes, you can.®

TABLE OF CONTENTS

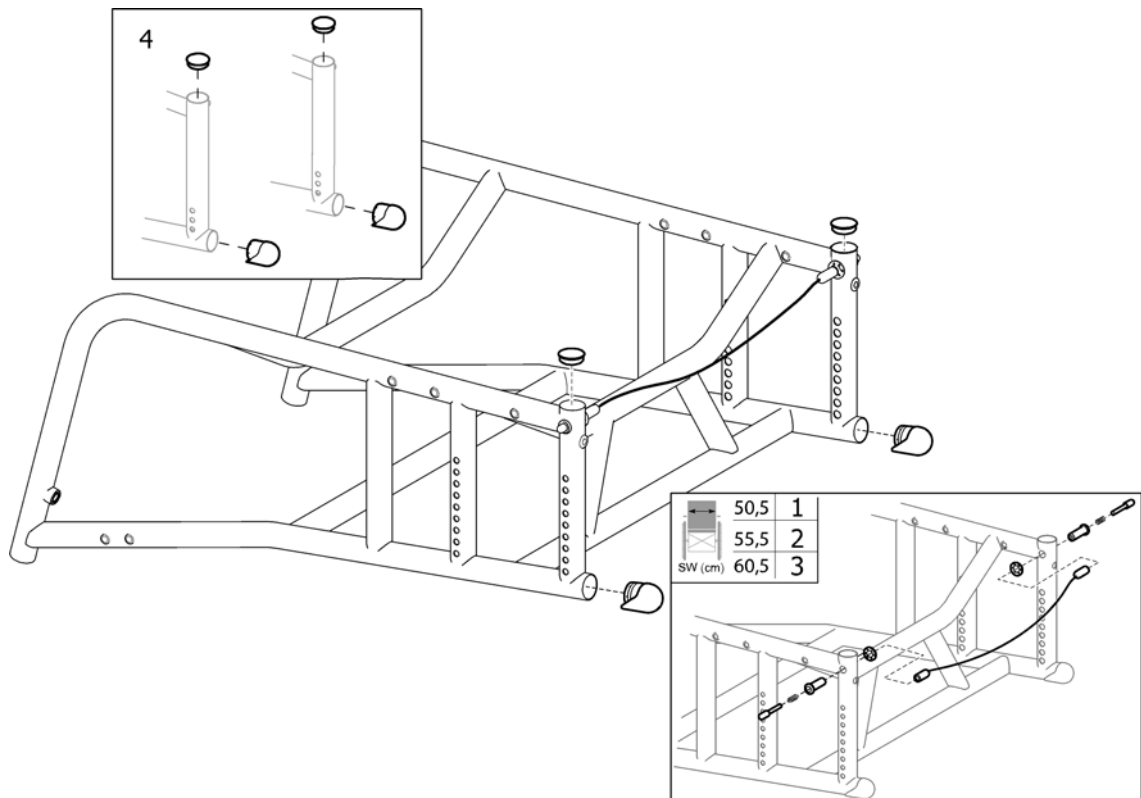
(Seating Options)

(Bar, Neck-Headrest)	34
(Headrest)	35
(Neckrest)	36
(Cheek support)	37

(Other Options & Accessories)

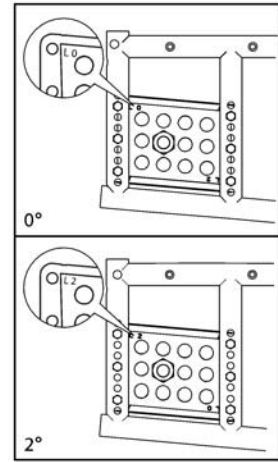
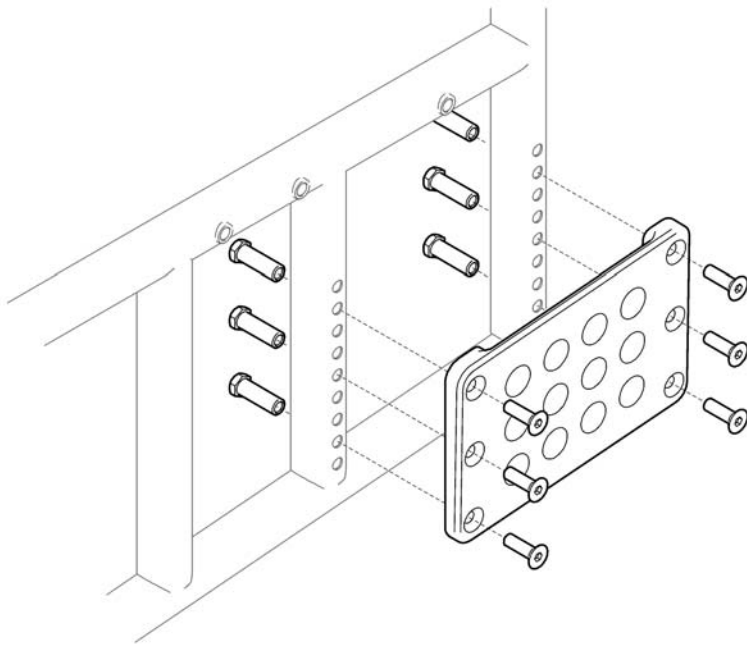
(Crutch holder)	38
(Pump)	39
(Frame cover)	40

(Chassis)



1	1536775	(Kit, Wire, Backrest Locking, SW50.5, XLT Max)	1
2	1536776	(Kit, Wire, Backrest Locking, SW55.5, XLT Max)	1
3	1536777	(Kit, Wire, Backrest Locking, SW60.5, XLT Max)	1
4	1512756	(KIT, PLUGS, CHASSIS)	1

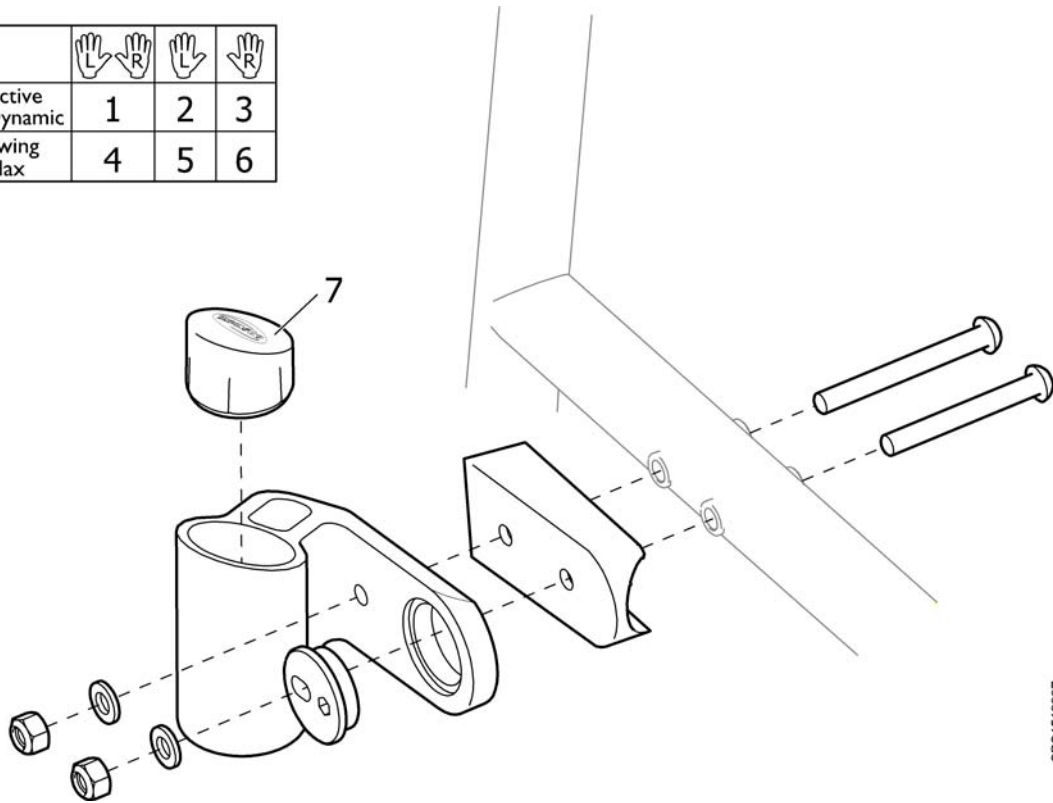
(Rear wheel attachment)



SP1534029

1	1535648	(ATTACHMENT, REAR WHEEL, PAIR)	1
2	1534029	(FIXATION, REAR WHEEL, LEFT CPL, XLT MAX)	1
3	1534030	(FIXATION, REAR WHEEL, RIGHT CPL, XLT MAX)	1

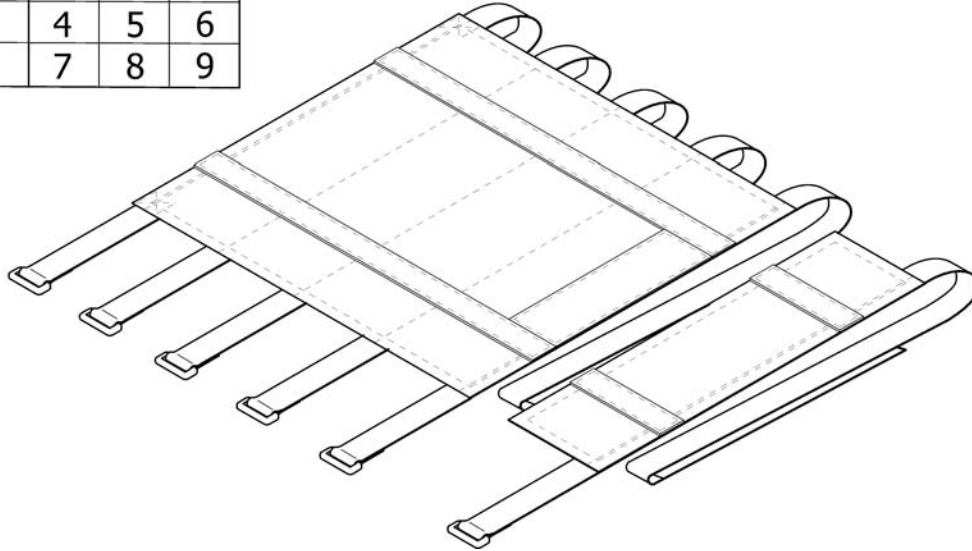
	L	R	L	R
XLT Active XLT Dynamic	1	2	3	
XLT Swing XLT Max	4	5	6	



1	1512239	(ATTACHMENT, CASTOR, PAIR (ACTIVE/DYNAMIC))	1
2	1512237	XLT voorwiellagerhuis links cpl tbv.act.frame	1
3	1512238	XLT voorwiellagerhuis rechts cpl tbv.act.frame	1
4	1512242	XLT 2008 voorw.lagerh. pp Swing	1
5	1512240	XLT Max voorwiellager- huis cpl links	1
6	1512241	XLT 2008 voorw.lagerh. rechts	1
7	1508352	XLT voorwiel lagerhuis afdekkap ps	1

(Seat upholstery)



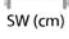
SW (cm)	SD (cm)		
	50	55	60
50,5	1	2	3
55,5	4	5	6
60,5	7	8	9

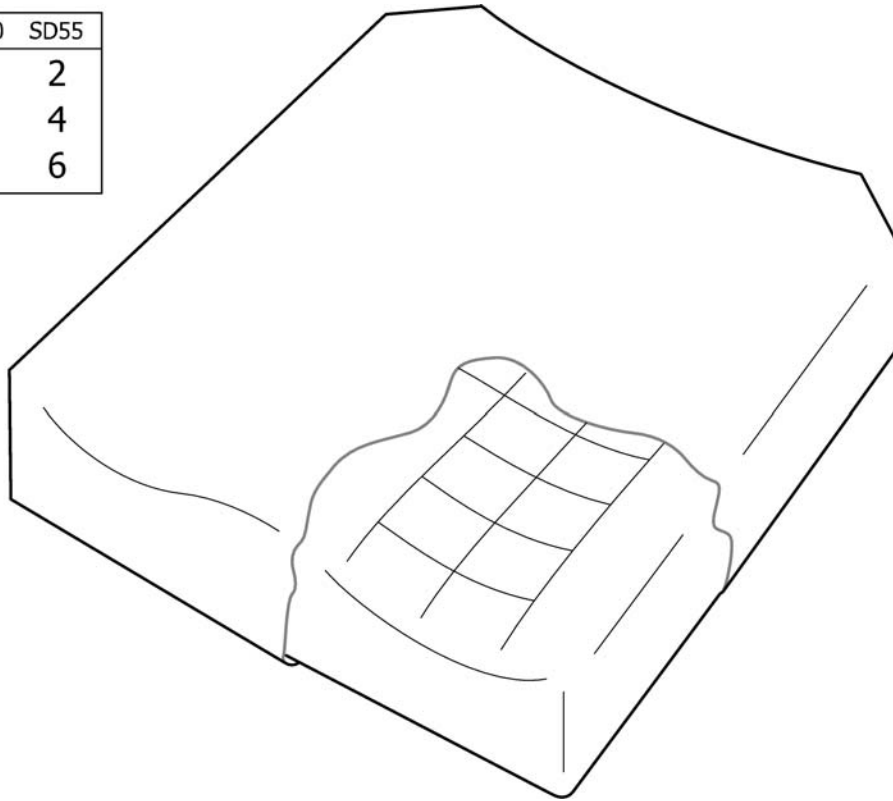


SPS1529247

1	1535453	(UPHOLSTERY, SEAT 50.5/50 , CPL)	1
2	1529474	(UPHOLSTERY, SEAT 50.5/55 , CPL)	1
3	1529660	(UPHOLSTERY, SEAT 50.5/60 , CPL)	1
4	1529661	(UPHOLSTERY, SEAT 55.5/50 , CPL)	1
5	1529672	(UPHOLSTERY, SEAT 55.5/55 , CPL)	1
6	1529673	(UPHOLSTERY, SEAT 55.5/60 , CPL)	1
7	1529754	(UPHOLSTERY, SEAT 60.5/50 , CPL)	1
8	1529755	(UPHOLSTERY, SEAT 60.5/55 , CPL)	1
9	1529756	(UPHOLSTERY, SEAT 60.5/60 , CPL)	1

(Seat cushion, Flo-tech Contour)

	SD50	SD55
 50,5	1	2
 55,5	3	4
 SW (cm) 60,5	5	6

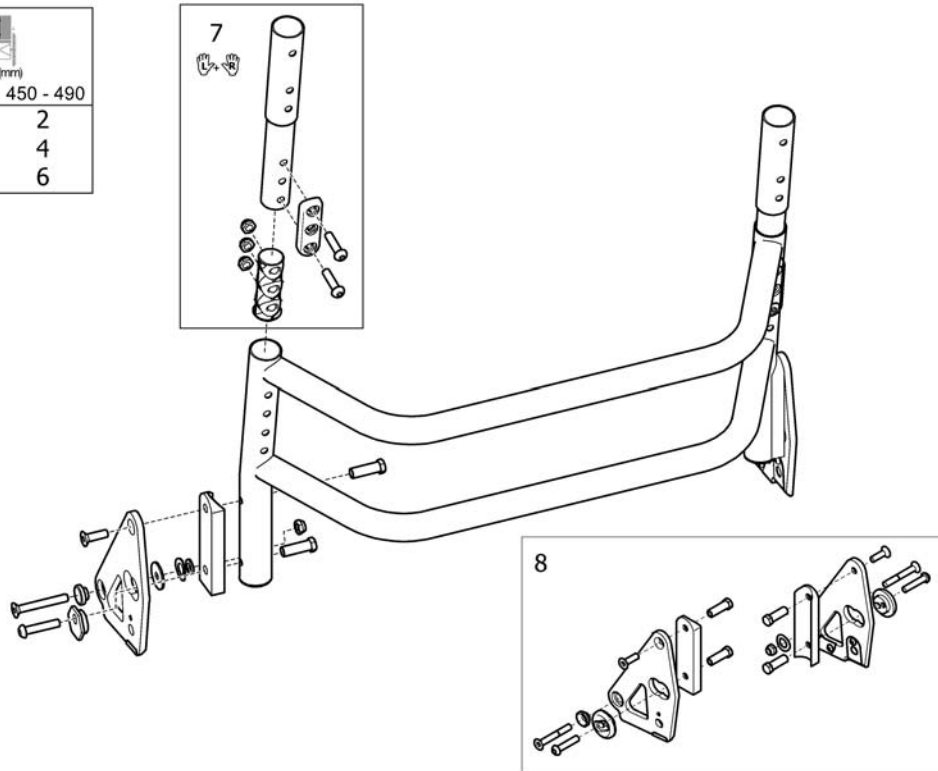


SP/51534690

1	1534690	(SEAT CUSHION 51x51, FLO-TECH CONTOUR)	1
2	1534691	(SEAT CUSHION 51x55, FLO-TECH CONTOUR)	1
3	1534692	(SEAT CUSHION 55x51, FLO-TECH CONTOUR)	1
4	1534693	(SEAT CUSHION 55x55, FLO-TECH CONTOUR)	1
5	1534694	(SEAT CUSHION 60x51, FLO-TECH CONTOUR)	1
6	1534695	(SEAT CUSHION 60x55, FLO-TECH CONTOUR)	1

(Backrest frame)

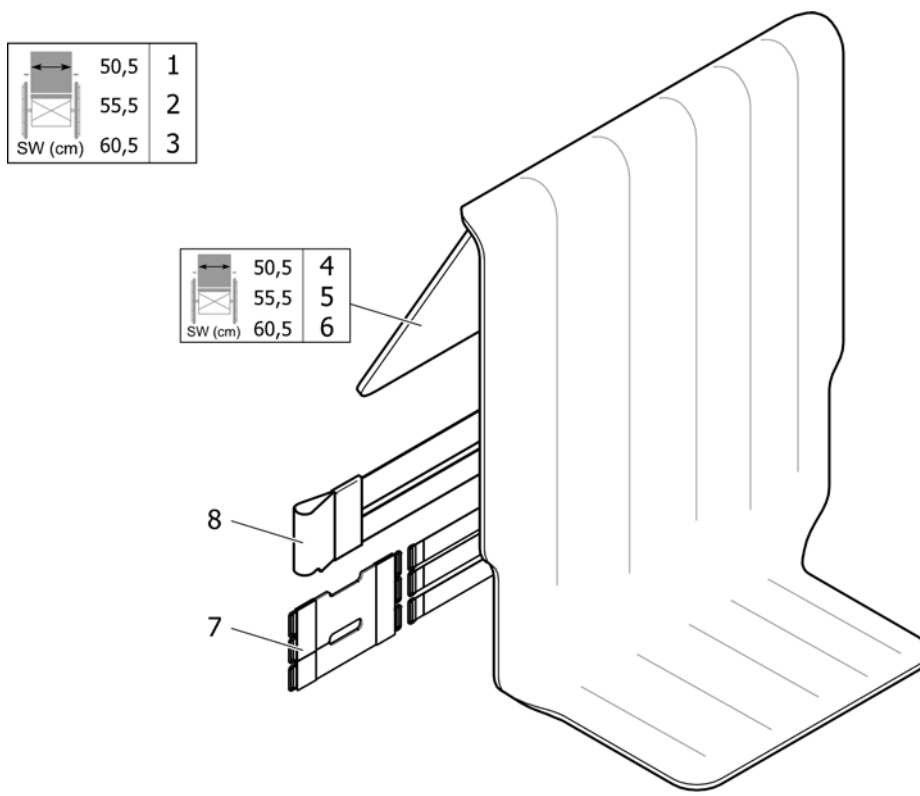
SW(mm)	BH(mm)	
505	1	2
555	3	4
605	5	6



0P5152850

1	1528585	(BACKREST 50.5/40, HEIGHT ADJUSTABLE, CPL, MAX)	1
2	1528642	(BACKREST 50.5/45, HEIGHT ADJUSTABLE, CPL, MAX)	1
3	1528645	(BACKREST 55.5/40, HEIGHT ADJUSTABLE, CPL, MAX)	1
4	1528684	(BACKREST 55.5/45, HEIGHT ADJUSTABLE, CPL, MAX)	1
5	1528687	(BACKREST 60.5/40, HEIGHT ADJUSTABLE, CPL, MAX)	1
6	1528688	(BACKREST 60.5/45, HEIGHT ADJUSTABLE, CPL, MAX)	1
7	1511436	(EXTENDER, BACKREST, LONG CPL, PAIR)	1
8	1559204	XLT rugbev.cpl pp	1

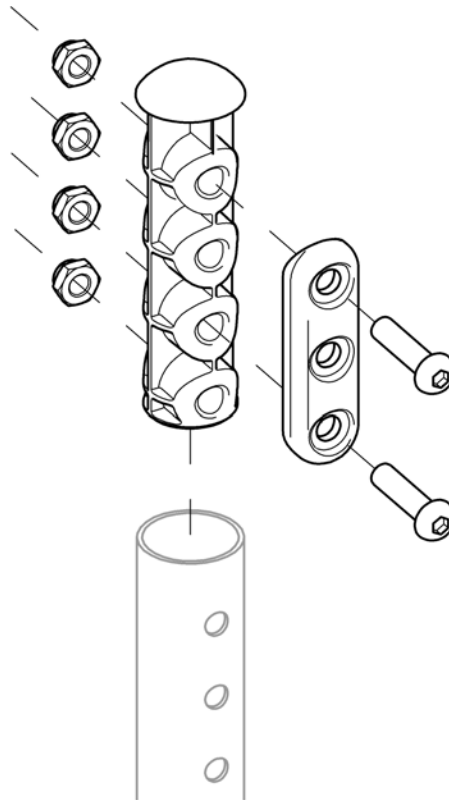
(Backrest body and cover)



1	1535490	(UPHOLSTERY, BACKREST 50.5/50, CPL)	1
2	1535491	XLT rugbekl.nasp.+rugh. ZB55,5 cpl ZB55,5 cpl	1
3	1535492	(UPHOLSTERY, BACKREST 60.5/50, CPL)	1
4	1532999	(BACKR. BODY COVER 50.5 L)	1
5	1533000	(BACKREST BODY COVER 55.5 L)	1
6	1533001	(BACKREST BODY COVER 60.5 L)	1
7	1532998	(BACKR. UPHOLSTERY COVER)	1
8	1532997	XLT Max spanband verhoger ps	1

(Backrest plug (no handles))

1



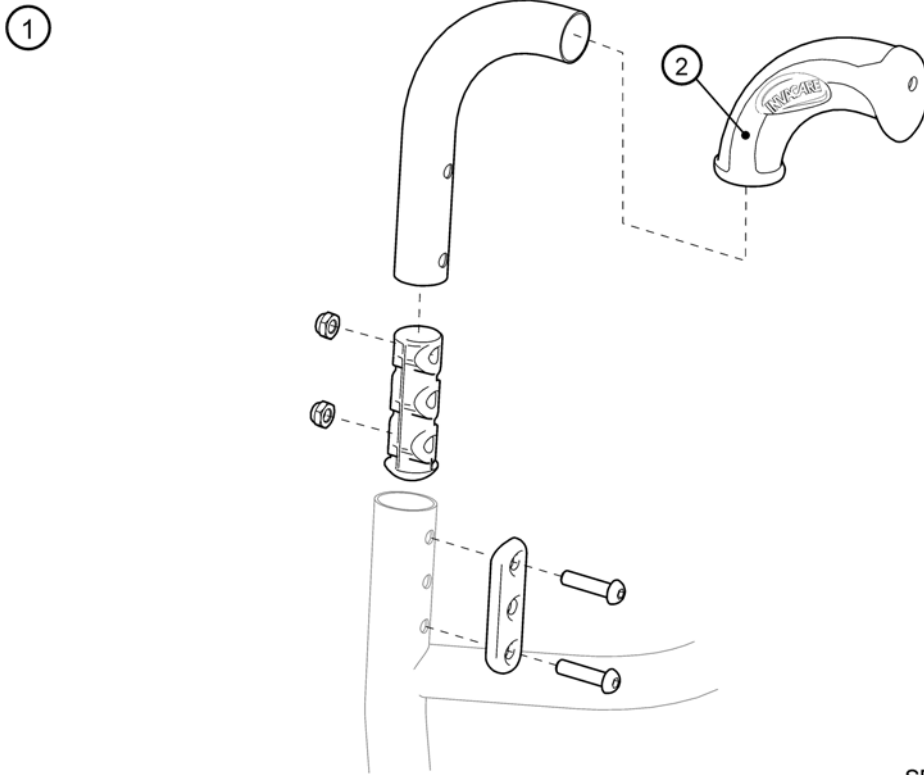
SPS1511473

1 1511595

(END PART, BACKREST, PAIR)

1

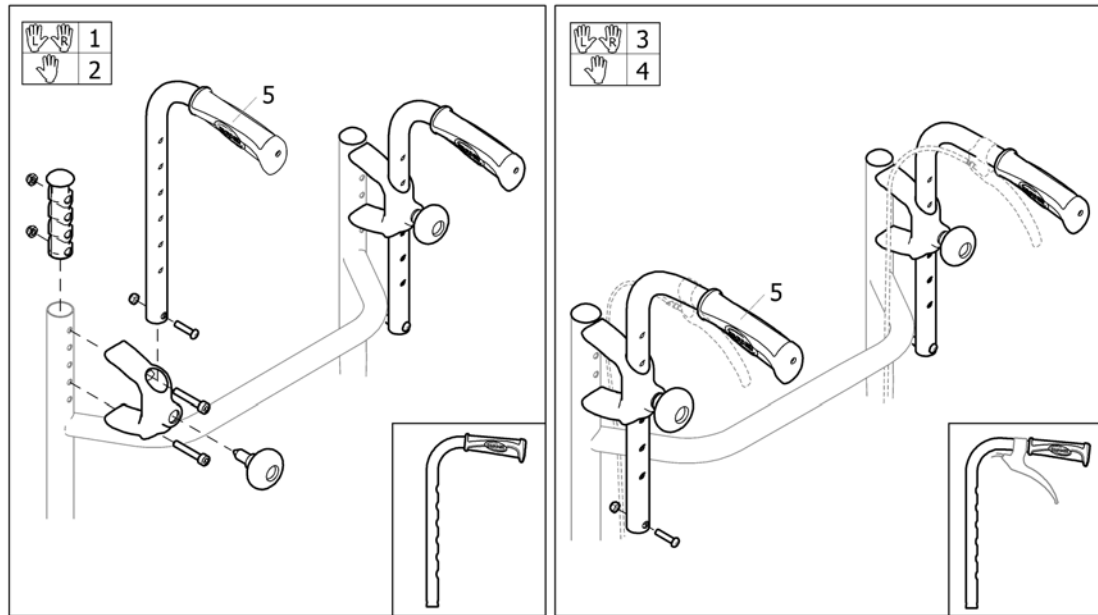
(Invacare® XLT Max) | (Backrest)
(Push handles, Titanium)



SPS1511454

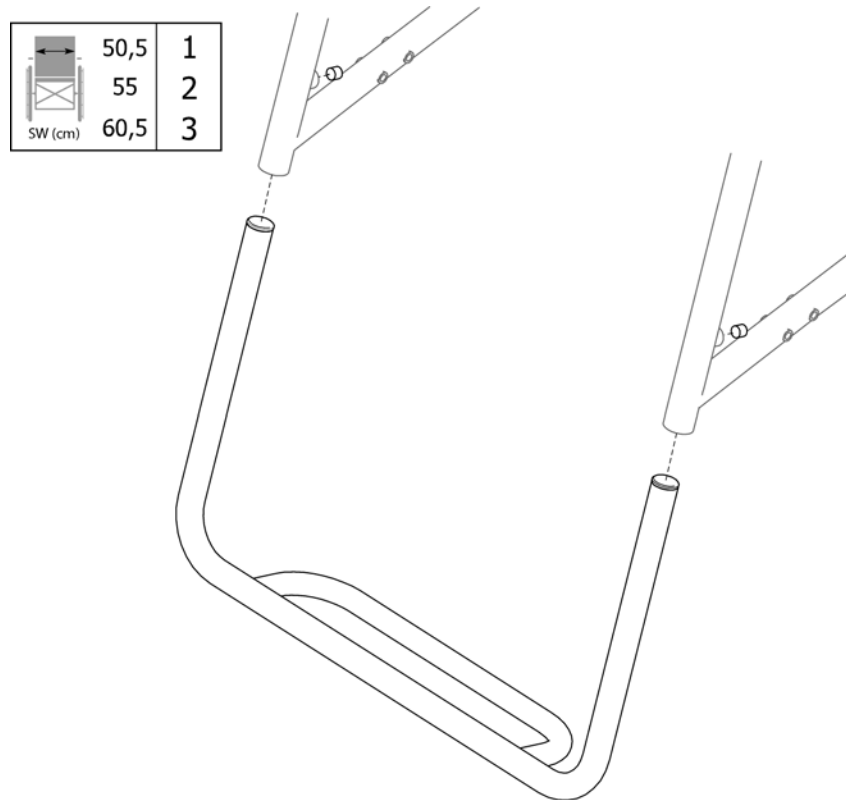
1	1511455	XLT duwh.vast cpl pp	1
2	SP1537634	(HANDLE 22MM, PAIR)	1

(Push handles, external)



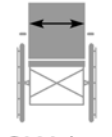
1	1512795	XLT 2008 duwh.opb.pp	1
2	1512794	XLT 2008 duwh.opb.ps	1
3	1512797	XLT duwh.opbouw cpl 206x290 pp	1
4	1512796	(PUSH HANDLE, 206X290, EXTERNAL, CPL)	1
5	SP1429301	Rea duwh.opb.kort ex.bev ps	1

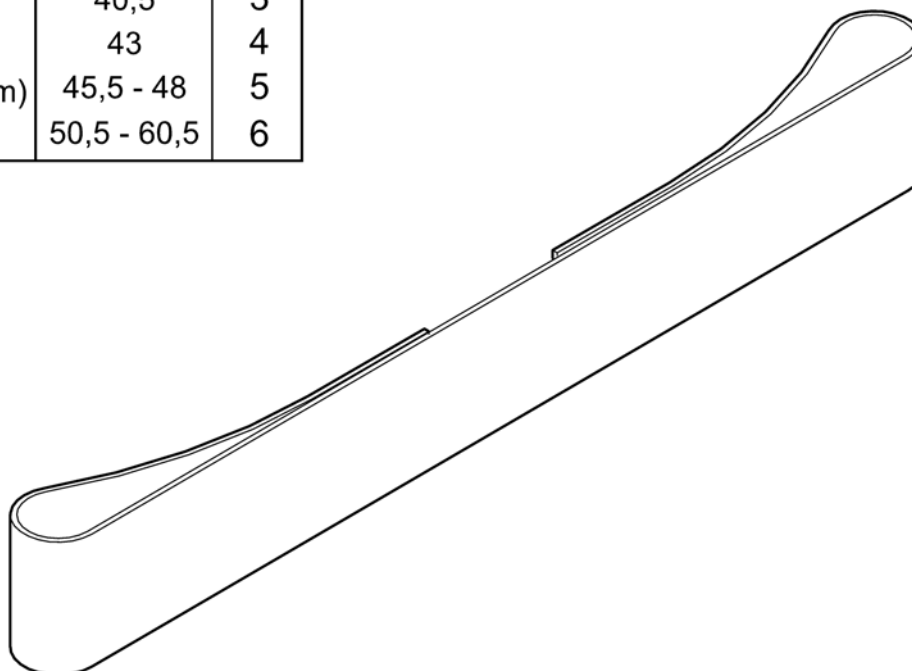
(Footbow)



1	1528689	(FOOTBOW, SW 50.5, CPL)	1
2	1528690	(FOOTBOW, SW 55.5, CPL)	1
3	1528691	(FOOTBOW, SW 60.5, CPL)	1

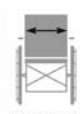
(Calf strap)

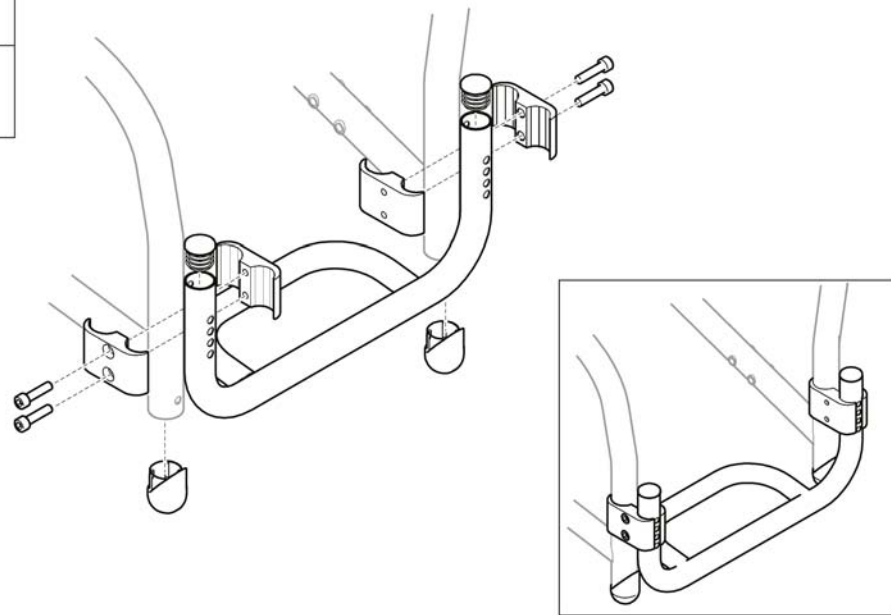
 SW (cm)	35,5	1
	38	2
	40,5	3
	43	4
	45,5 - 48	5
	50,5 - 60,5	6



SP5526176

1	5226176	(CALFSTRAP 355)	1
2	5226177	\$LT rugbekl.instb.boven ZB34-36	1
3	5226178	\$LT kuitb.zb43-46/U- zb41/V-zb38-41/boxframe	1
4	5226179	XLT kuitb.zb48-50/U- zb43-46/V-boxframe	1
5	5226501	XLT kuitb.zb48-50 V-/box frame	1
6	1532566	Rea kuitband zb 505-605	1

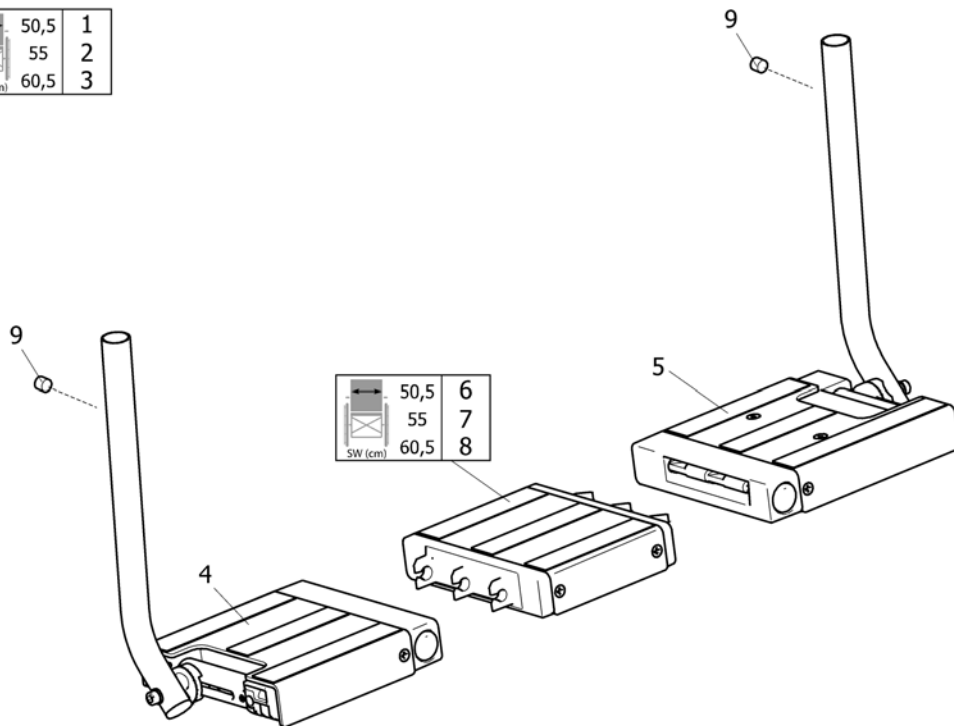
 SW (cm)	35,5	1
	38	2
	40,5	3
	43	4
	45,5	5
	48	6
50,5	7	
55,5	8	
60,5	9	



1	1512692	(FOOTREST 35.5, HIGH, CPL)	1
2	1512693	XLT 2008 voetpl.hoog gem.zb38 cpl	1
3	1512694	(FOOTREST 40.5, HIGH, CPL)	1
4	1512758	(FOOTREST 43, HIGH, CPL)	1
5	1512759	(FOOTREST 45.5, HIGH, CPL)	1
6	1512760	(FOOTREST 48, HIGH, CPL)	1
7	1536787	(FOOTREST 50.5, HIGH, CPL)	1
8	1536788	(FOOTREST 55.5, HIGH, CPL)	1
9	1536789	(FOOTREST 60.5, HIGH, CPL)	1

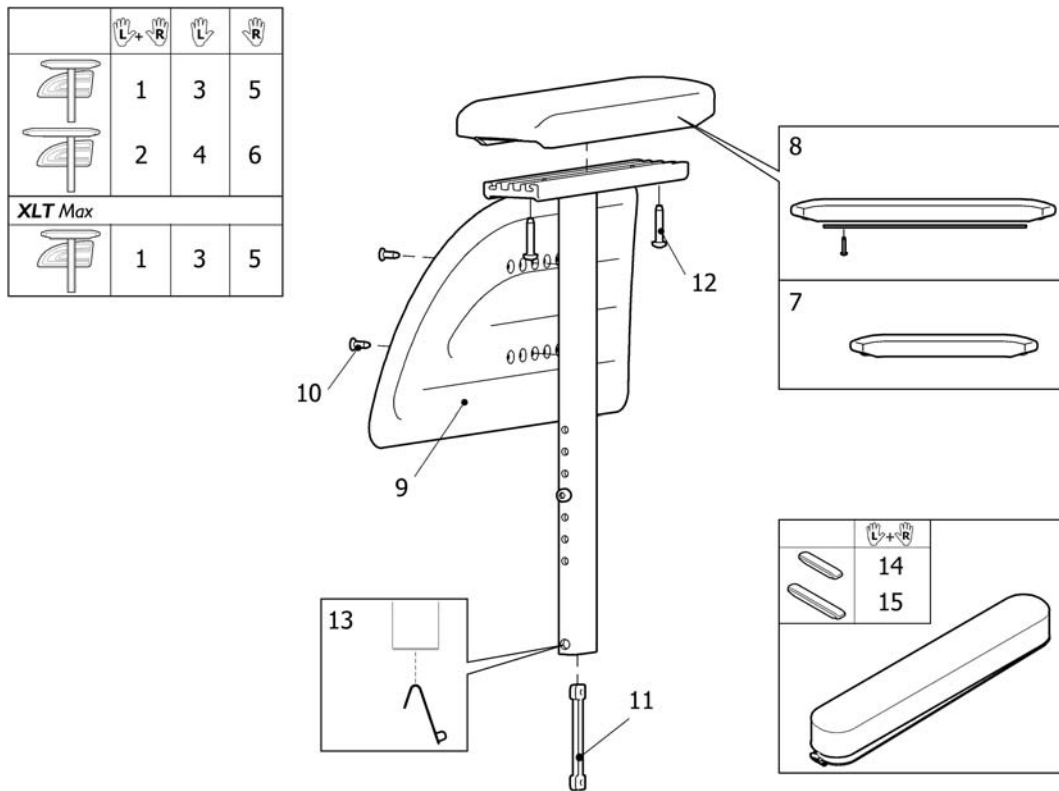
(Invacare® XLT Max) | (Footrests)
(Footboard, XLT Max)

	50,5	1
	55	2
	60,5	3



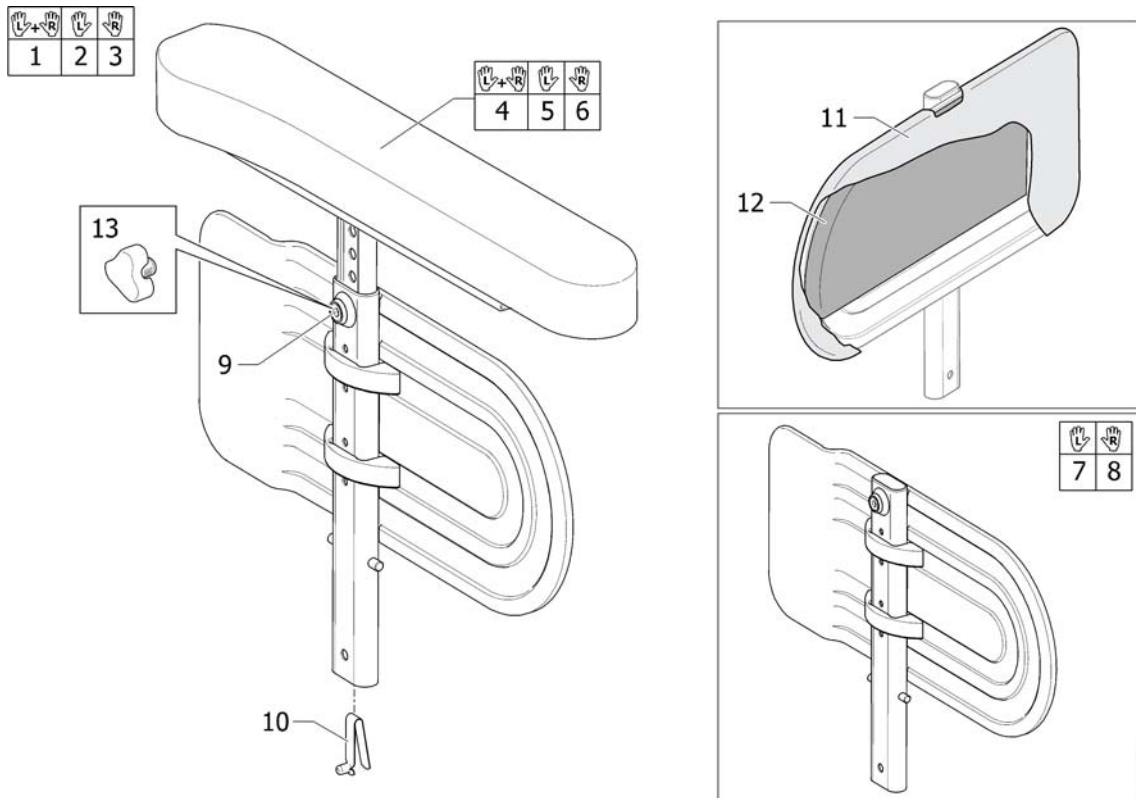
9P51537671

1	1537671	(FOOT BOARD SW50.5 CPL)	1
2	1537672	(FOOT BOARD SW55.5 CPL)	1
3	1537752	XLT max voetplaat 1-dlg. zb60,5 cpl zb60,5 cpl	1
4	1537665	(PLATE 1 CPL, FOOTBOARD)	1
5	1537666	(PLATE 2 CPL, FOOTBOARD)	1
6	1537667	(PLATE 3 CPL, SW50.5, FOOT BOARD)	1
7	1537668	(PLATE 3 CPL, SW55.5, FOOT BOARD)	1
8	1537669	(PLATE 3 CPL, SW60.5, FOOT BOARD)	1
9	1424572	Rea schroef m10x12 ps	1

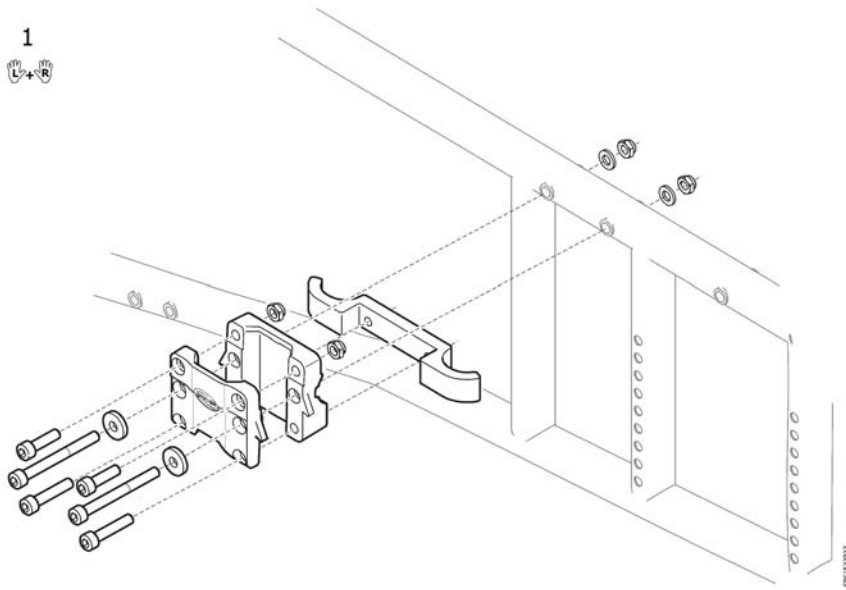
(Armrest Rio, Height Adj.)

1	1435729	Focus armst.rio ihv.kort pp	1
2	1435731	Focus armst.rio ihv.lang pp	1
3	1435461	Focus armst.rio h.v.kort li	1
4	1435487	Focus armst.rio lang ihv arml.li	1
5	1435460	Focus armst.rio h.v.kort re	1
6	1435486	Focus armst.rio lang ihv arml.re	1
7	1434676	Rea arml.rio kort ps Foc/Sp3/a3	1
8	1508064	Rea arml.rio lang ps Foc/Sp3/a3	1
9	1434725	Focus kled.besch.tbv.Rio arml.	1
10	5724189	\$ea kled.besch.schroef pt-fx h k40x14 zn ps	1
11	1435388	Rea kled.besch.geleiderail ps	1
12	1440027	Rea schroef k50x25 tbv. rio arml.ps	1
14	SP1574539	(ARMPAD COVER, SHORT, BLACK PLUSH TR35)	1
15	SP1574609	(ARMPAD COVER, LONG, BLACK PLUSH TR35)	1
13	1560734	Rea armst.vergrendel/ stokhouder veer ps	1

(Armrest Max, reinforced)



1	1535270	(Armrest Height Adj., Wide Pad, Pair)	1
2	1525069	(Armrest Height Adj., Wide Pad, Le)	1
3	1525068	(Armrest Height Adj., Wide Pad, Ri)	1
4	1535271	(Upper Part, Pair, Armrest Height Adj., Wide Pad)	1
5	1525067	Azalea armlegger gepol- sterd links	1
6	1525066	Azalea armlegger gepol- sterd rechts	1
7	1525048	(Side Guard, Reinforced, Le, Cpl)	1
8	1525049	(Side Guard, Reinforced, Ri, Cpl)	1
9	5106533	Rea inbus m12x1 (fijn) 150/703/Ad/Bel/Sp	1
10	1560734	Rea armst.vergrendel/ stokhouder veer ps	1
11	1415453	Assist zijsch.hoes grijs dartex ps	1
12	SP1563199	Rea kledingbeschermer gepolsterd hoes pp	1
13	5221122	Rea wartel M12 ps	1

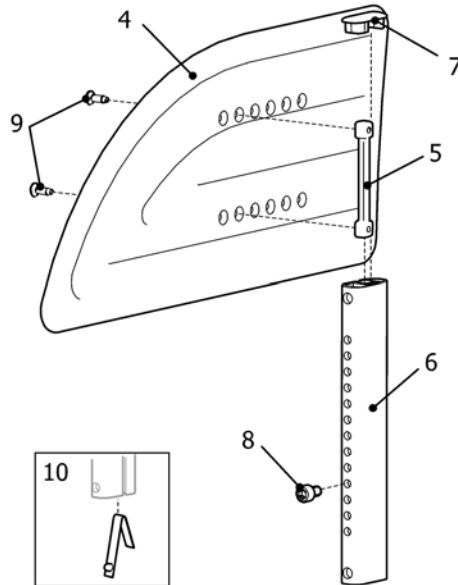
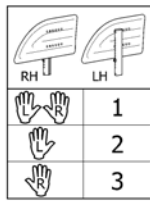


1 1533950

(FIXATION, ARMREST, PAIR, XLT MAX)


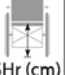


1

(Sideguard)

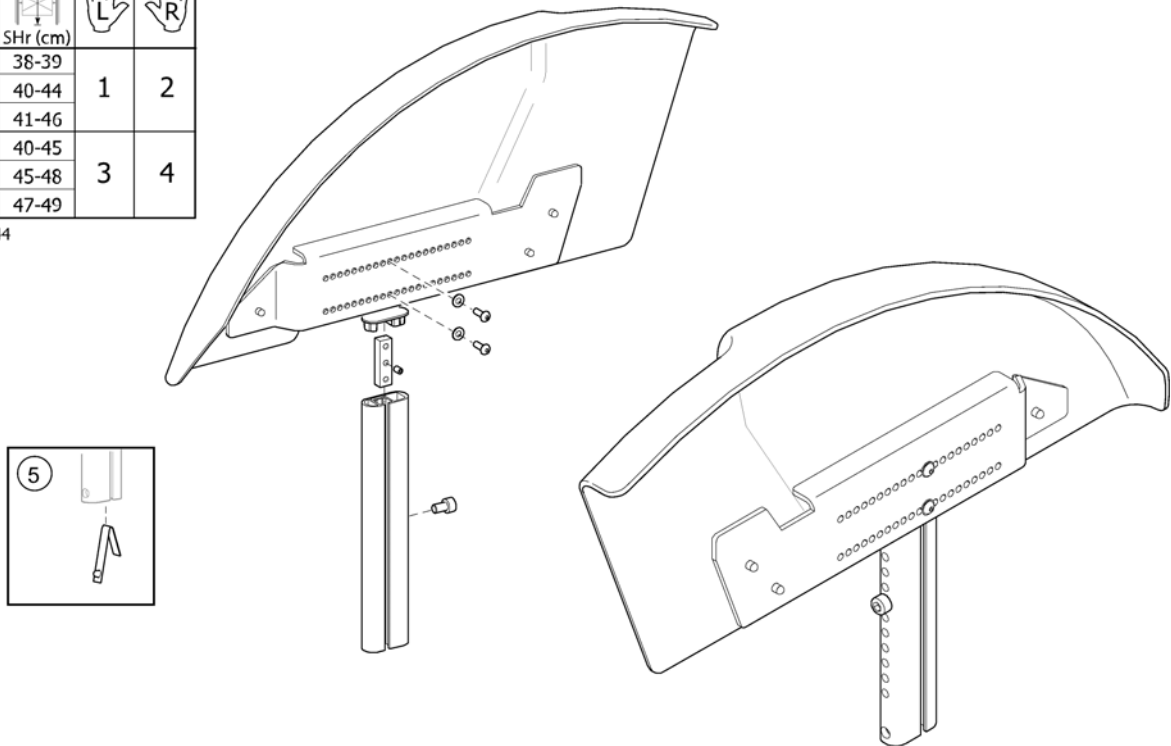


SP5146127

1	1514484	(SIDE GUARD, PAIR)	1
2	1491238	SpinX kled.besch.li cpl	1
3	1491237	SpinX kled.besch.re cpl	1
4	1434725	Focus kled.besch.tbv.Rio arml.	1
5	1435388	Rea kled.besch.geleiderail ps	1
6	1484543-0004	Rea kled.besch.buis ps SpinX/XLT2008	1
7	1488504	(END PLUG)	1
8	5723007	\$ea schroef m6x10 tbv.t- stuk ps	1
9	5724189	\$ea kled.besch.schroef pt-fx h k40x14 zn ps	1
10	1560734	Rea armst.vergrendel/ stokhouder veer ps	1



				
22"		38-39		
24"+25"		40-44	1	2
26"		41-46		
22"		40-45		
24"+25"		45-48	3	4
26"		47-49		

SPS1512844

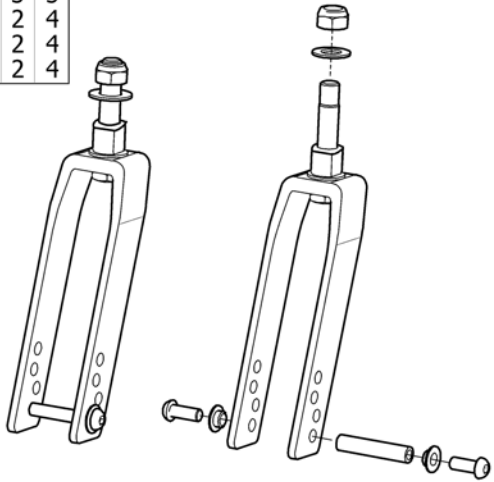


1	1512845	XLT spatbord hoog li cpl ps	1
2	1512844	XLT spatbord hoog re cpl ps	1
3	1512847	XLT spatbord laag li cpl ps	1
4	1512846	XLT spatbord laag re cpl ps	1
5	1560734	Rea armst.vergrendel/ stokhouder veer ps	1

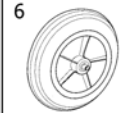
(Castor wheels)

			
		75	110 150
180x40 (7") soft		3	5
180x40 (7") pneu		3	5
150x32 (6") pneu		2	4
150x30 (6") soft		2	4
150x27 (6") mh		2	4
140x37 (5,5") soft		3	5
125x27 (5") mh		2	4
100x27 (4") mh	1	2	4
75x24 (3") h	1	2	4

XLT Max: (6) - (11)

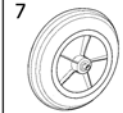


6




180x40 (7") soft

7



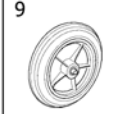
180x40 (7") pneu.

8




150x32 (6") pneu.

9




150x30 (6") soft

10




150x30 (6") mh

11




140x37 (5,5") soft

12



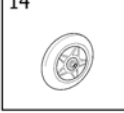
125x27 (5") soft

13



100x27 (4") soft

14







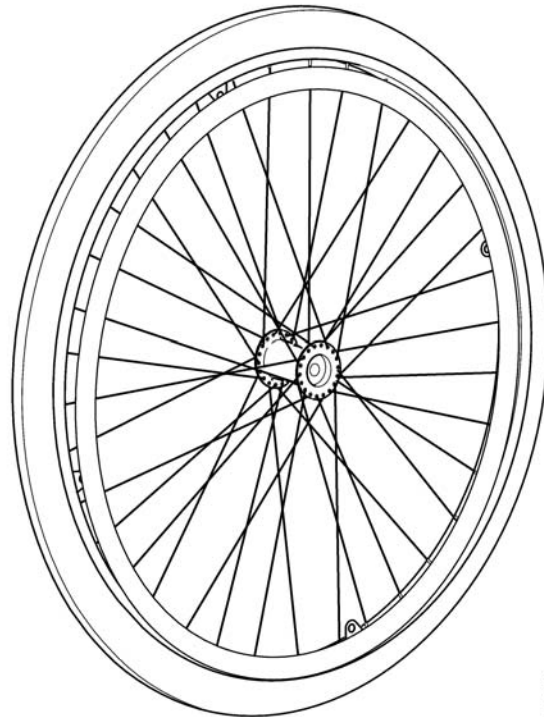
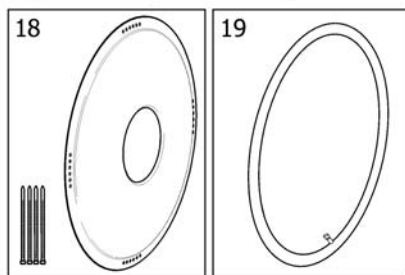
75x24 (3") h

SPS1512703

1	1512699	XLT voorwiel vork 75/40 pp cpl	1
2	1512700	XLT voorwiel vork 110/40 pp cpl	1
3	1512701	XLT voorwiel vork 110/60 pp cpl	1
4	1512702	XLT voorwiel vork 150/40 ps cpl	1
5	1512703	XLT voorwiel vork 150/60 ps cpl	1
6	5750781	Wiel 7'flexel 180x40 ps Rea	1
7	5750782	Wiel 7'pn.180x40 ps Rea gebr.5750788	1
8	5322006	Wiel 6'pn.150x32 ps gebr.5108547	1
9	5750806	WIEL 6"FLEXEL 150x30 PS DIO	1
10	1555797	Wiel 6"semi-pn.150x30 ps Rea	1
11	5750734	Wiel 5,5' flexel 140x37 gebr.5207454	1
12	1491228	Wiel 5'softroll 125x30 zwart ex.as Rea	1
13	5750890	Wiel 4'soft 100x27 ps gebr.5108545	1
14	1512761	(CASTOR 75X24 HARD)	1

(Wheel 24")

			
1		11	-
2	13 ○	-	12
3		11	-
4	14 ○	-	12
5		11	-
6	15 ○	-	12
7		11	-
8	16 ●	-	12
9		11	-
10	17 ●	-	12

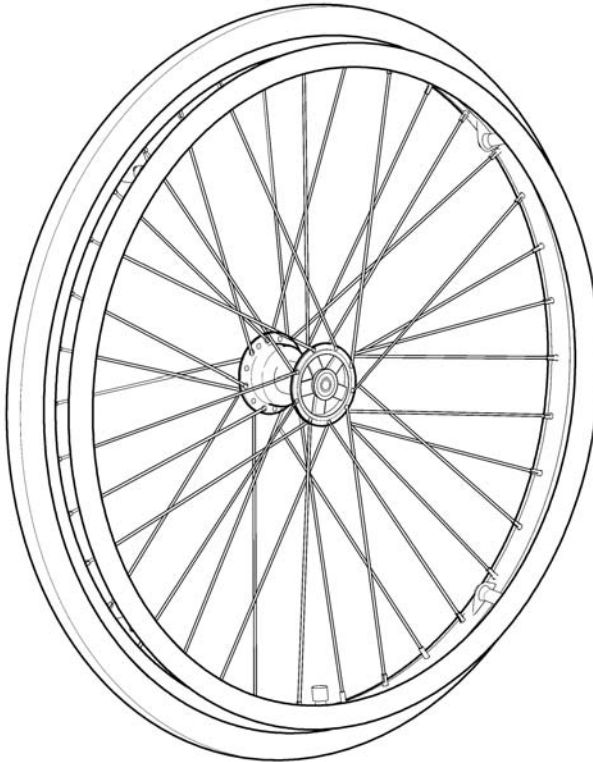
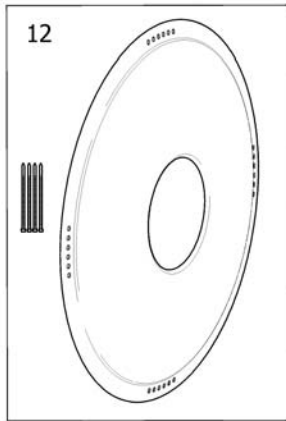
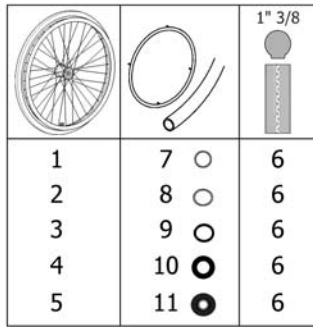


SP5132144

1	1524050	Wiel 24"semi-pn.lijnpro- fiel alu hoepel cpl rea	1
2	1532143	Wiel 24"+marathon bubu alu hoepel ps rea	1
3	1524188	(Wheel 24" Solid + Handrim, Plastic Coated, Std2010)	1
4	1532183	(Wheel 24" Black Marathon + Handrim, Plastic Coated, Std2010)	1
5	1530762	(Wheel 24" Solid + Handrim, Stainless, Std2010)	1
6	1532144	(Wheel 24" Black Marathon + Handrim, Stainless Steel, Std2010)	1
7	1531531	(Wheel 24" Solid + Handrim, Foam Coated, Std2010)	1
8	1532184	(Wheel 24" Black Marathon + Handrim, Foam Coated, Std2010)	1
9	1531564	(Wheel 24" Solid + Handrim, Blackgrip, Std2010)	1
10	1532185	Wiel 24"+marathon bubu black grip hoepel ps Rea	1
11	5750015	Bubu 24'semi-pn.ps Rea	1
12	1512742	(Tyre 24"x1" (25-540), Black Marathon)	1
13	1531577	Hoepel 21"alu Rea 2010 rechte bev.	1
14	1531578	Hoepel 21"tbv 24" wiel plastic coated 2010 REA	1
15	1531305	(Handrim Stainless Cpl, 24" Wheel, Std2010)	1
16	1531459	Hoepel 21"foam coated ps Rea	1
17	1531460	(Handrim Black Grip Cpl, 24" Wheel, Std2010)	1
18	5102807	SPAAKBESCH.24'TRANSP.PS	1
19	5750161	\$iba 24" x1 nr.2939G.ps Rea	1

(Handrim Stainless Cpl, 24" Wheel, Std2010)

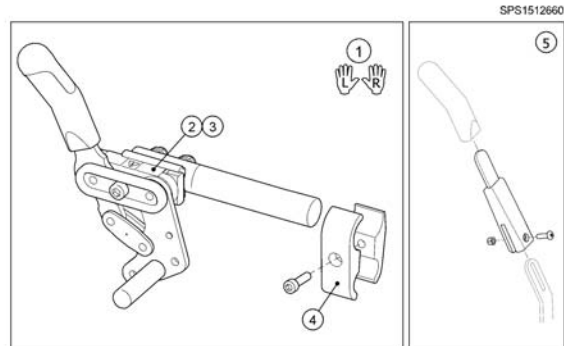
3854	1528924	()	4
3854	1529757	(Handrim Stainless, 24" Wheel, Std2010)	1
3854	1531457	(Spacer 22mm, Handrim)	4
3854	1531458	(Spacer 5mm, Handrim)	4



SP5134447

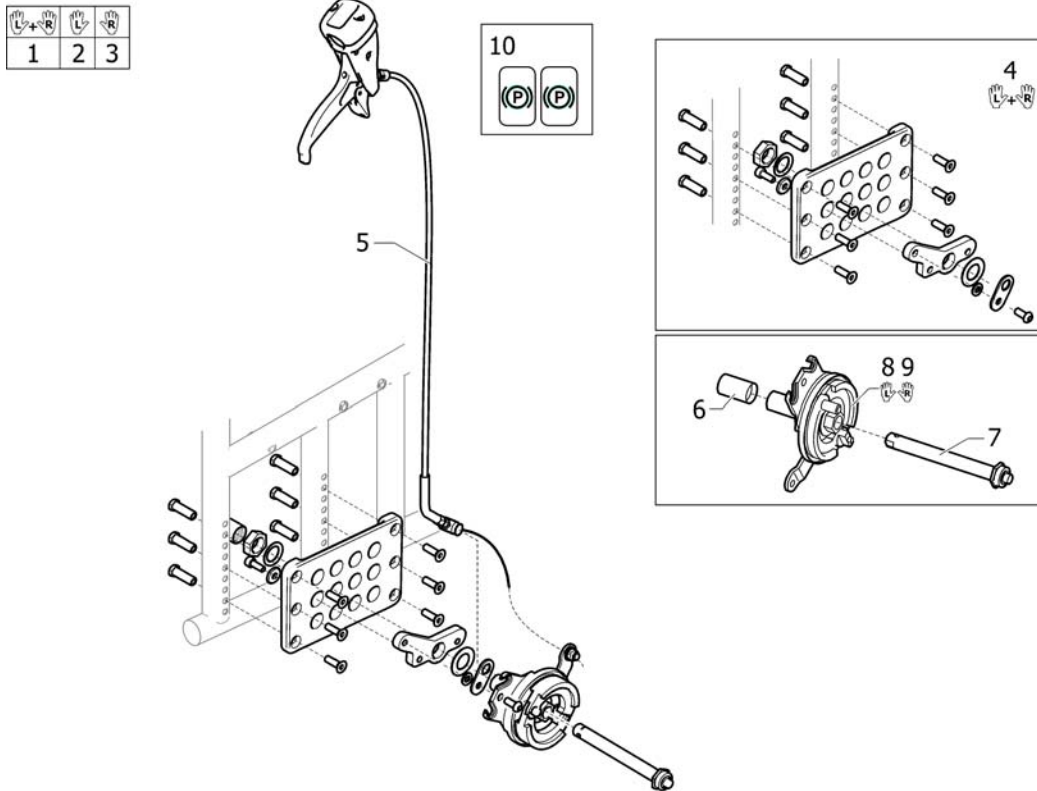
1	1524447	(Wheel 24" Db Solid + Handrim, Alu, Std2010)	1
2	1524515	(Wheel 24" Db Solid + Handrim, Plastic Coated, Std2010)	1
3	1531127	(Wheel 24" Db Solid + Handrim, Stainless, Std2010)	1
4	1531536	(Wheel 24" Db Solid + Handrim, Foam Coated, Std2010)	1
5	1531569	(Wheel 24" Db Solid + Handrim, Blackgrip, Std2010)	1
6	5750015	Buba 24'semi-pn.ps Rea	1
7	1531577	Hoepel 21'alu Rea 2010 rechte bev.	0
8	1531578	Hoepel 21"tbv 24" wiel plastic coated 2010 REA	1
9	1531305	(Handrim Stainless Cpl, 24" Wheel, Std2010)	1
10	1531459	Hoepel 21"foam coated ps Rea	1
11	1531460	(Handrim Black Grip Cpl, 24" Wheel, Std2010)	1
12	5102807	SPAABESCH.24'TRANSP.PS	1

(Brake, Standard)



1	1512662	XLT 208 rem std.+bev.pp cpl	1
2	1512660	XLT 208 rem std.ex.bev. li ps	1
3	1512661	XLT 208 rem std.ex.bev. re ps	1
4	1512740	XLT 208 rem std.bev. klem ps	1
5	5203340	Remverl.univ.ps Ad/Foc/ Rea/Sp/XLT/Zoom	1

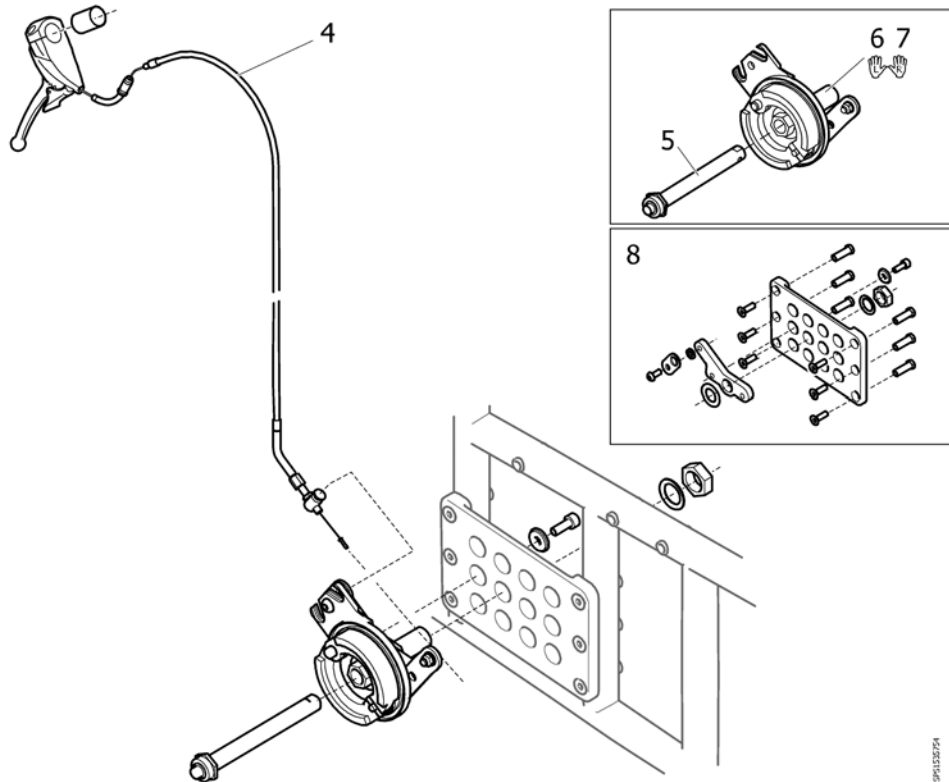
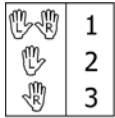
(Drumbrake, assistant manoeuvred XLT Max)



SP5139478

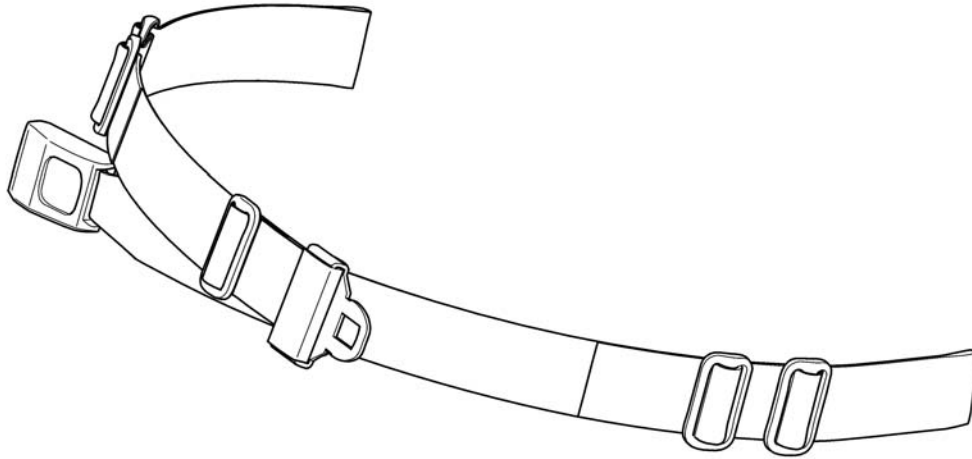
1	1539476	(BRAKE KIT DB CPL, PAIR INCL. ATTACHMENT)	1
2	1539477	(BRAKE KIT DB LEFT, CPL INCL. ATTACHMENT)	1
3	1539478	(BRAKE KIT DB RIGHT, CPL INCL. ATTACHMENT)	1
4	1535759	(KIT, ATTACHMENT, DB, PAIR)	1
5	1536721	(KIT, WIRE, DB, L=830)	1
6	5100925	\$CHTERW.AS EDCO AFDEK- DOP PS	1
7	5750192	\$ea achterwielas qr tbv. trommelrem 14cm ps	1
8	1536253	(DRUMBRAKE UNIT, LEFT, MBL)	1
9	1536252	(DRUMBRAKE UNIT, RIGHT, MBL)	1
10	1536764	(DECAL, CABLE ASSEMBLY, BRAKE)	1

(Drumbrake, assistant manoeuvred (=> 2010.11))



1	1535647	(KIT, DB, CPL, PAIR, INCL, ATTACHM.)	1
2	1535755	(KIT, DB, LEFT INCL. ATTACHMENT)	1
3	1535754	(KIT, DB, RIGHT, INCL. ATTACHMENT)	1
4	1497616	(Kit, Wire, Db, L=780)	1
5	5750192	\$ea achterwielas qr tbv. trommelrem 14cm ps	1
6	5750199	(Drumbrake Unit, Lh)	1
7	5750705	(Drumbrake Unit, Rh)	1
8	1535759	(KIT, ATTACHMENT, DB, PAIR)	1

1



1551067

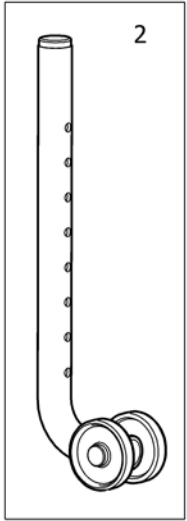
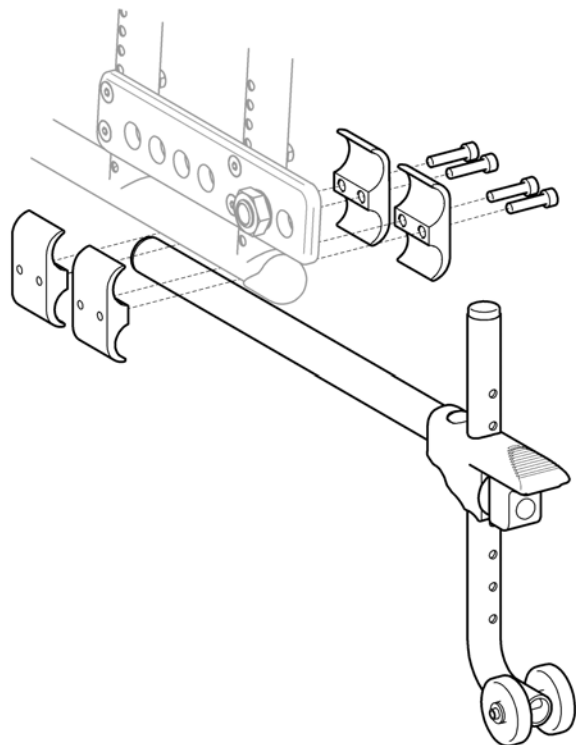
1 1551067

(Lap Belt Autolock, long)

1

(Anti-tip device, Extended)



1

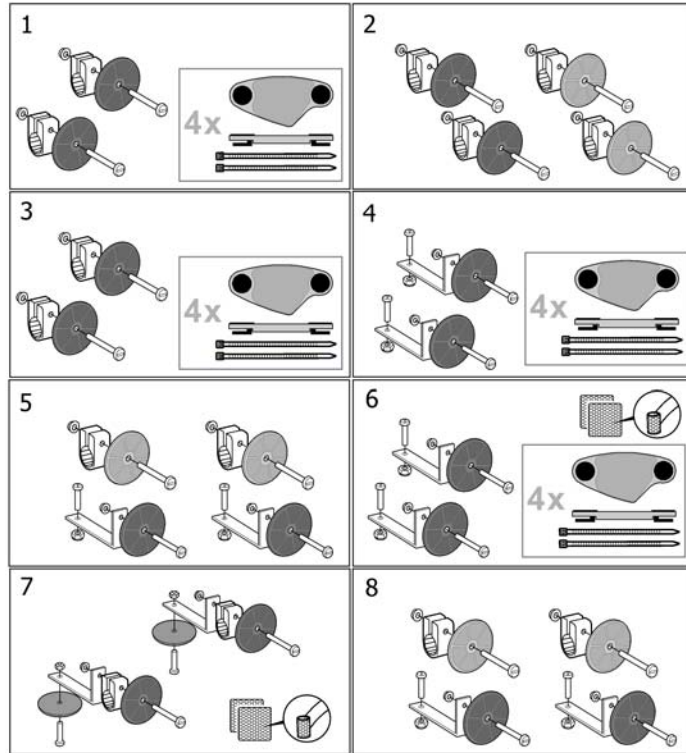


SP11111111

1	1518488	XLT anti-tip verlengd ps cpl	1
2	5106409	Activ anti-tip buis+wiel ps Ad/Bel/Sp	1

(Reflector)

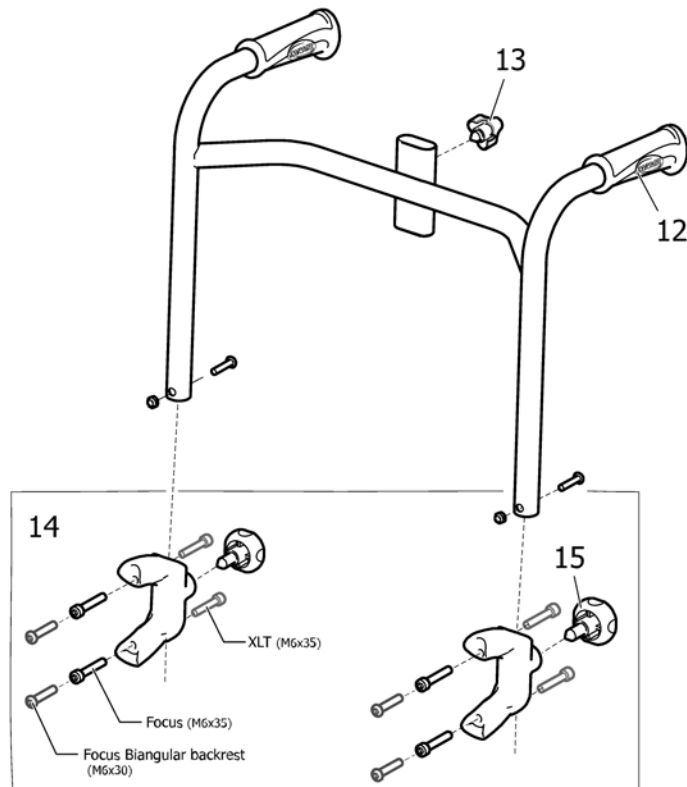
		
	20-26"	16"
Azalea	1	2
Bellis	3	3
Clematis	1	-
Focus	4	8
Spin ^x	1	-
Spirea ² , Spirea ³ , Spirea ⁴ NG	4	5
Wheeler	6	7
XLT, XLT Max	3	-



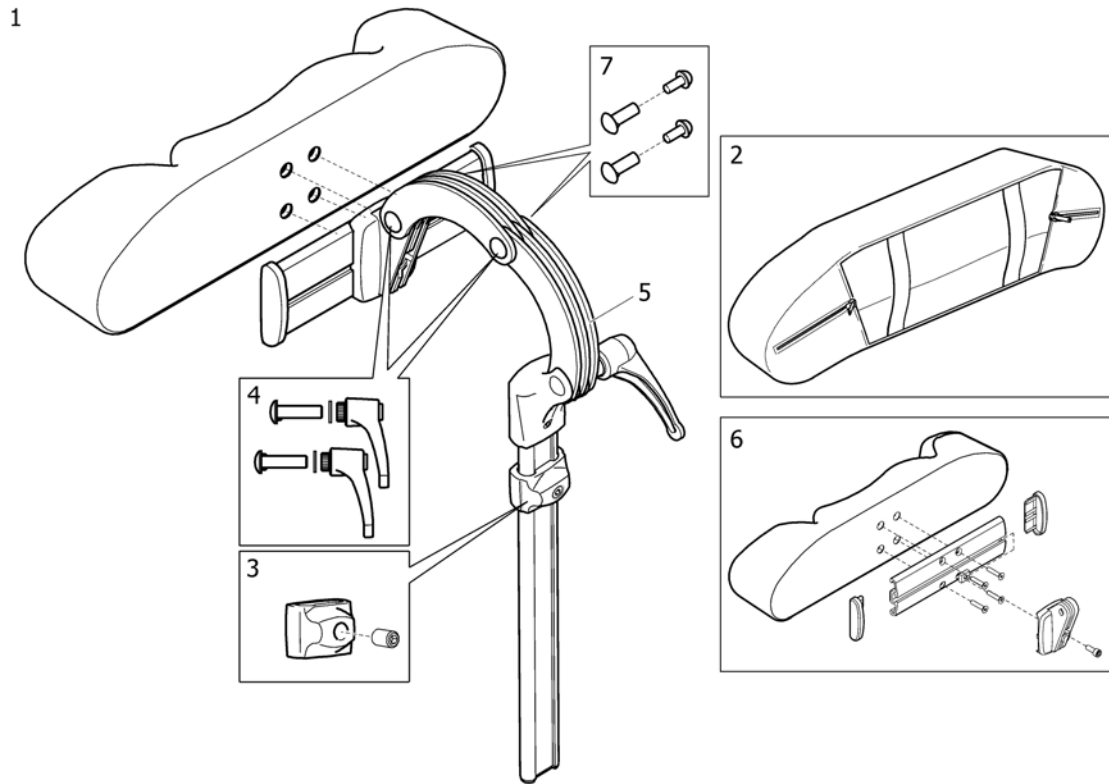
1	SP5206655	(Reflector kit 20-24")	1
2	SP5254249	(Reflector kit 16")	1
3	5206640	Rea reflectorkit cpl. Comf/xlt	1
4	5104965	\$eflector set cpl >04/00	1
5	1435760	\$pirea2 reflector kit	1
6	5108147	\$heeler reflector kit tbv.22/24 inch wielen	1
7	5108024	\$heeler reflector kit	1
8	1546559	(Reflector Kit 9)	1

(Bar, Neck-Headrest)

SW (cm)	
Focus, Spirea ³ , XLT	
33	1
35,5	2
38	3
40,5	4
43	5
45,5	6
48	7
50,5	8
53	9
55,5	10
60,5	11



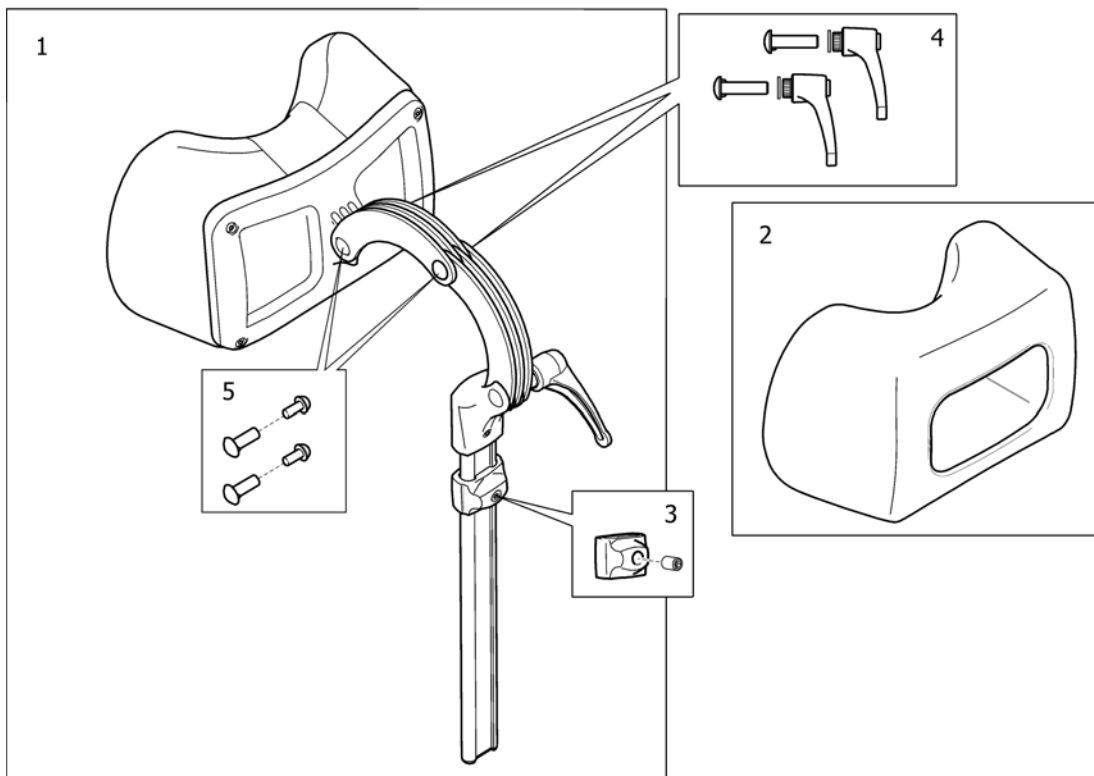
1	1512900	(Bow, Head & Neckrest, Sw 33/34)	1
2	1530539	(Bow, Head & Neckrest, Sw 35.5)	1
3	1435750	Focus hoofdst.bev.frame zb38	1
4	1483920	Focus hoofdst.bev.frame zb40,5	1
5	1435751	Focus hoofdst.bev.frame zb43	1
6	1483921	Focus hoofdst.bev.frame zb45,5	1
7	1435752	Focus hoofdst.bev.frame zb48	1
8	1483922	Focus hoofdst.bev.frame zb50,5	1
9	1435539	Focus duwh.ihv.incl.fix +bev.hfdst.zb53	1
10	1532498	Focus hoofdst.bev.frame zb55,5	1
11	1532563	(Bow, Head & Neckrest, Sw 60.5)	1
12	SP1429301	Rea duwh.opb.kort ex.bev ps	1
13	5221122	Rea wartel M12 ps	1
14	1512904	Rea duwh.opbouw klem pp incl.sterknop	1
15	1434841	Focus duwh.opb.sterknop ps	1



SPS144659

1	1446559	Rea hfdst.zijw.inst.dartex cpl.As/Be/Com/Fo/703	1
2	1518516	Rea hfdst.zijw.inst.dartex hoes ps	1
3	1448661	Rea verbindingsstuk buis nek/hoofdsteun	1
4	1445693	Bellis hoofd-/neksteun clinic kit	1
5	1485538	Hoofd/neksteun bev.boog cpl diverse stoelen	1
6	1530755	Rea hoofdsteun kussen ex bev.	1
7	SP1572769	(FASTENERS KIT, HEAD- & NECKREST)	1

(Neckrest)

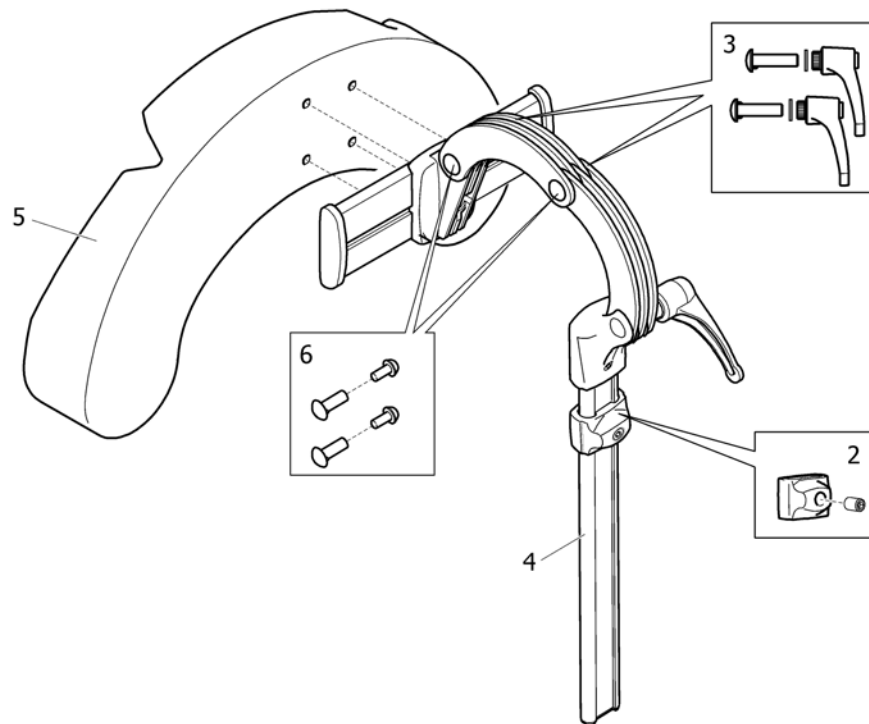


SP150848

1	1508848	Rea nekst.dartex cpl ps	1
2	1518517	Hoofdsteun bekl./hoes tr34 Rea/Poirier	1
3	1448661	Rea verbindingsstuk buis nek/hoofdsteun	1
4	1445693	Bellis hoofd-/neksteun clinic kit	1
5	SP1572769	(FASTENERS KIT, HEAD- & NECKREST)	1

(Cheek support)

1

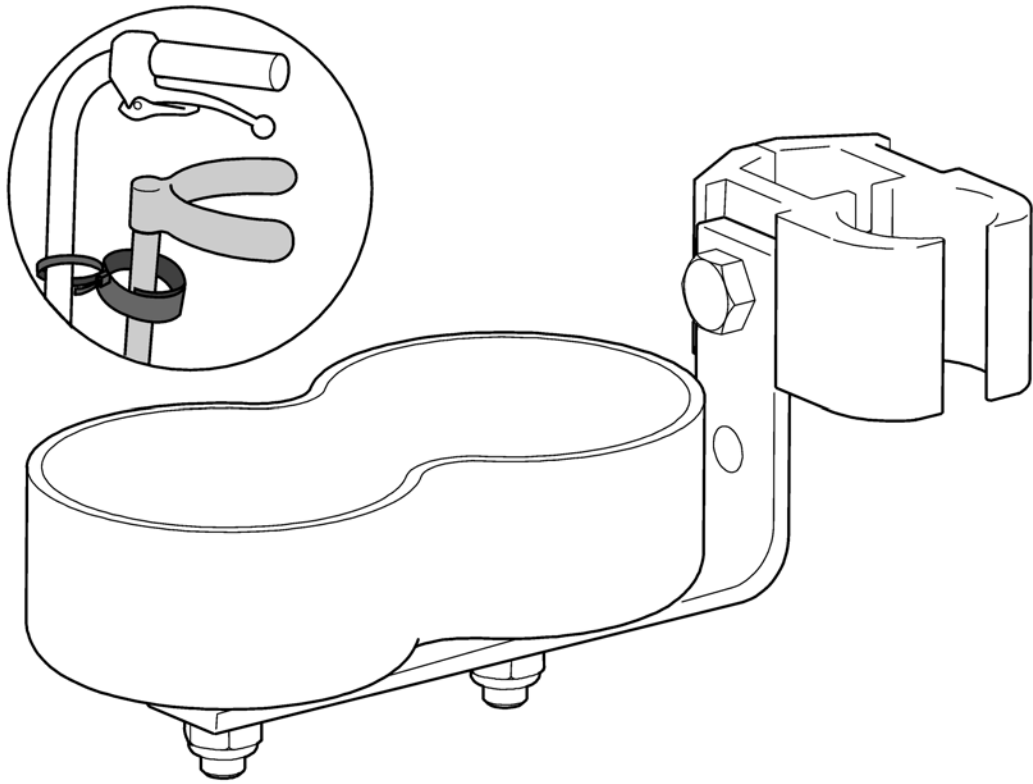


SP11446560

1	1446560	Rea hfdst.zijw.inst.+ wangonderst.Ass/Bel/Comf	1
2	1448661	Rea verbindingsstuk buis nek/hoofdsteun	1
3	1445693	Bellis hoofd-/neksteun clinic kit	1
4	1485538	Hoofd/neksteun bev.boog cpl diverse stoelen	1
5	1444304	Bellis kinondersteuning kussen ps	1
6	SP1572769	(FASTENERS KIT, HEAD- & NECKREST)	1

(Crutch holder)

1



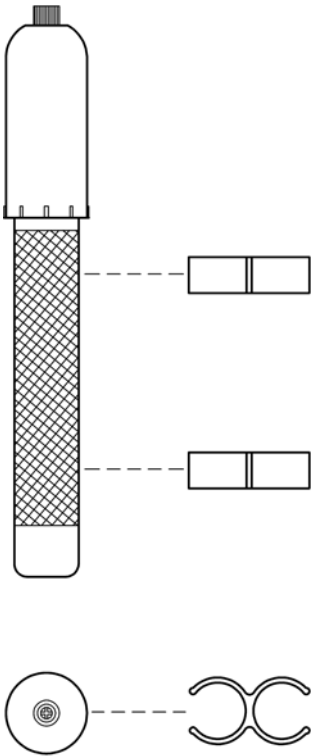
SPS5106390

5106390

Rea stokhouder adapt/ SpinX ps

1

(Pump)



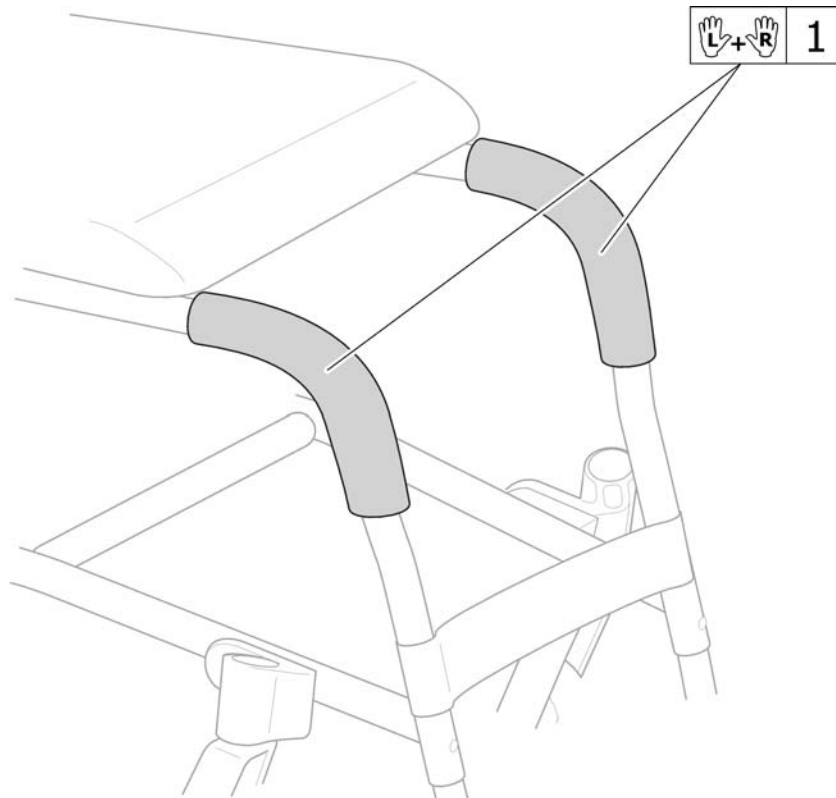
SPS575072€

5750729

Rea pump model 97 ps

1

(Frame cover)



SPS5226144

1 1512831

(Frame Cover, Pair)

1



Yes, you can.®



Belgium & Luxemburg:

Invacare nv, Autobaan 22, B-8210 Loppem
Tel: (32) (0)50 83 10 10, Fax: (32) (0)50 83 10 11
belgium@invacare.com / www.invacare.be

Denmark:

Invacare A/S, Sdr. Ringvej 37, DK-2605 Brøndby
Tel: (45) (0)36 90 00 00, Fax: (45) (0)36 90 00 01
denmark@invacare.com / www.invacare.dk

Deutschland:

Invacare Aquatec GmbH, Alemannenstraße 10, D-88316 Isny
Tel: (49) (0)75 62 7 00 0, Fax: (49) (0)75 62 7 00 66
info@invacare-aquatec.com / www.invacare-aquatec.de

European Distributor Organisation:

Invacare, Kleiststraße 49, D-32457 Porta Westfalica
Tel: (49) (0)57 31 754 540, Fax: (49) (0)57 31 754 541
edo@invacare.com / www.invacare.eu.com

España:

Invacare SA, c/Areny s/n, Polígon Industrial de Celrà, E-17460 Celrà (Girona)
Tel: (34) (0)972 49 32 00, Fax: (34) (0)972 49 32 20
contactsp@invacare.com / www.invacare.es

France:

Invacare Poirier SAS, Route de St Roch, F-37230 Fondettes
Tel: (33) (0)2 47 62 64 66, Fax: (33) (0)2 47 42 12 24
contactfr@invacare.com / www.invacare.fr

Ireland:

Invacare Ireland Ltd, Unit 5 Seatown Business Campus, Seatown Road, Swords, County Dublin - Ireland
Tel: (353) 1 810 7084, Fax: (353) 1 810 7085
ireland@invacare.com / www.invacare.ie

Italia:

Invacare Mecc San s.r.l., Via dei Pini 62, I-36016 Thiene (VI)
Tel: (39) 0445 38 00 59, Fax: (39) 0445 38 00 34
italia@invacare.com / www.invacare.it

Nederland:

Invacare BV, Celsiusstraat 46, NL-6716 BZ Ede
Tel: (31) (0)318 695 757, Fax: (31) (0)318 695 758
nederland@invacare.com, csede@invacare.com / www.invacare.nl

Norge:

Invacare AS, Grensesvingen 9, Postboks 6230, Etterstad, N-0603 Oslo
Tel: (47) (0)22 57 95 00, Fax: (47) (0)22 57 95 01
norway@invacare.com, island@invacare.com / www.invacare.no

Österreich:

Invacare Austria GmbH, Herzog Odilostrasse 101, A-5310 Mondsee
Tel: (43) 6232 5535 0, Fax: (43) 6232 5535 4
info-austria@invacare.com / www.invacare.at

Portugal:

Invacare Lda, Rua Estrada Velha, 949, P-4465-784 Leça do Balio
Tel: (351) (0)225 1059 46/47, Fax: (351) (0)225 1057 39
portugal@invacare.com / www.invacare.pt

Sverige & Suomi:

Invacare AB, Fagerstagatan 9, S-163 91 Spånga
Tel: (46) (0)8 761 70 90, Fax: (46) (0)8 761 81 08
sweden@invacare.com, finland@invacare.com / www.invacare.se

Switzerland:

Invacare AG, Benkenstrasse 260, CH-4108 Witterswil
Tel: (41) (0)61 487 70 80, Fax: (41) (0)61 487 70 81
switzerland@invacare.com / www.invacare.ch

United Kingdom:

Invacare Limited, Pencoed Technology Park, Pencoed, Bridgend CF35 5AQ
Switchboard Tel: (44) (0)1656 776200, Fax: (44) (0)1656 776201
Customer services Tel: (44) (0)1656 776222, Fax: (44) (0)1656 776220
uk@invacare.com / www.invacare.co.uk