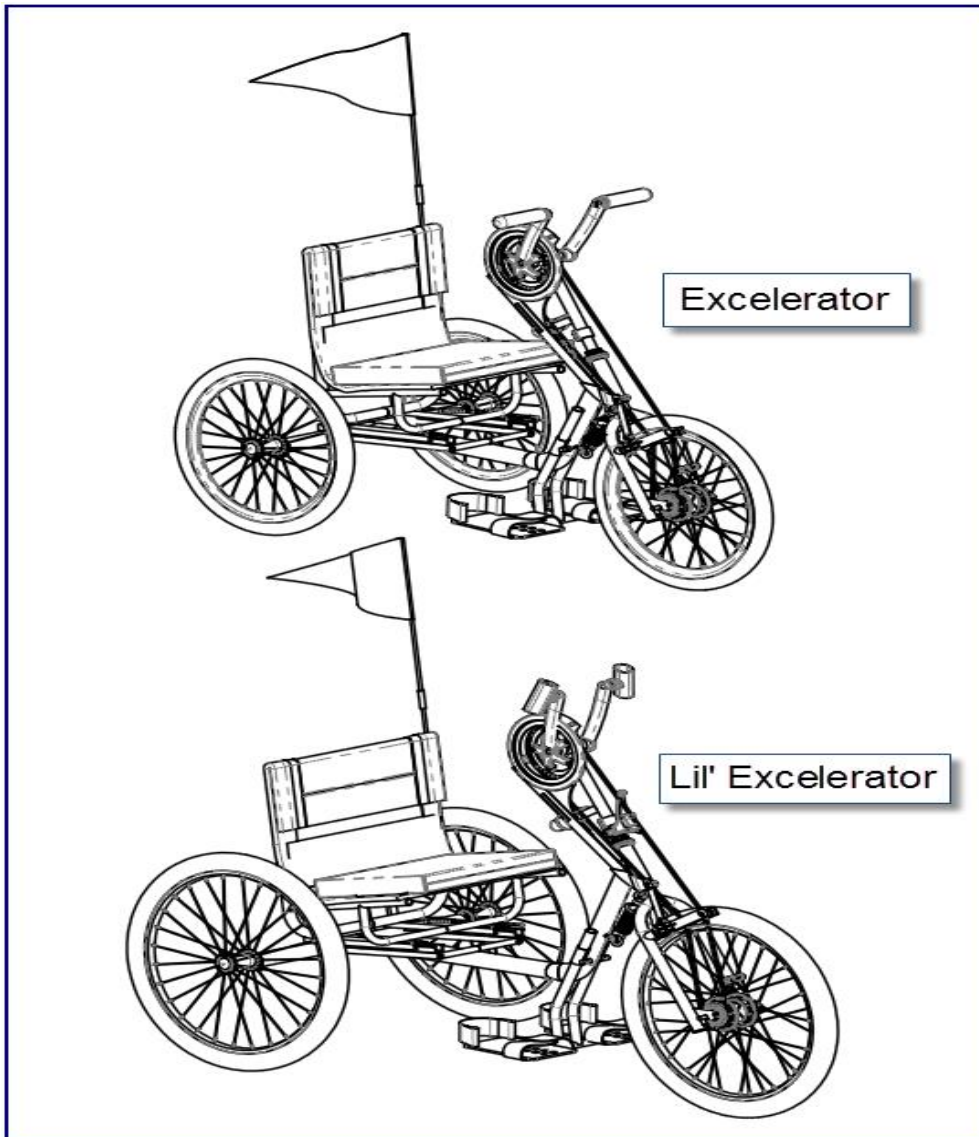




Sports and Recreation Products  
4501 63rd Circle North  
Pinellas Park, FL 33781  
(800) 532-8677 (727) 522-8677  
Fax: (727) 522-1007

# Invacare Top End Parts Catalog





Invacare Top End Sports and Recreation Products

(800) 532-8677 (727) 522-8677 fax: (727) 522-1007

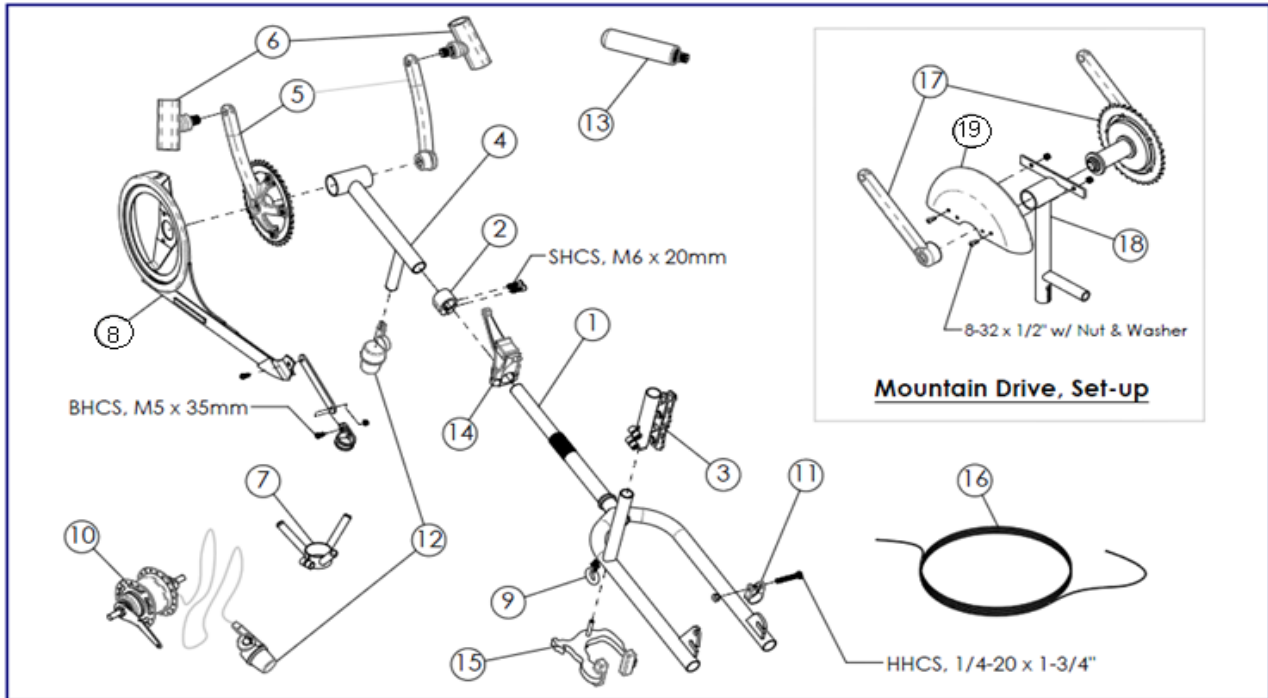
Parts Order Diagram:

**XCL & LXC: FORK ASSEMBLY**

Date:  PO#:  SO#:

Bill To:  Ship To:

Quote #:  Phone:  Serial #:



ITEM	PART NUMBER	PER BIKE	DESCRIPTION	QTY.	
1	1056858	1	Fork, XCL		EA
	1057784	1	Fork, LXC		EA
2	1060797	1	Clamp, 1" alloy fork connector (includes two (2) SHCS, M6 x 20mm)		EA
3	1068768	1	Chain idler assembly		EA
4	1109815	1	Crank Support Assembly (Does not include Bottom Bracket)		EA
4A	1068746	1	Bottom Bracket		EA
5	1056873	1	Crank Set,XCL (175mm)		EA
	1109737	1	Crank Set,LXC (155mm)		EA
	1063576	1	Chain, 7 Speed		EA
6	1166211	1	Ovalized Handpedal, Non-Shifting (Standard for XCL model) <input type="checkbox"/> Right <input type="checkbox"/> Left		EA
7	1139822	1	Quad Shifter Adapter 7 spd,		EA
8	1166523	1	Chain & Chaingring Guard Assembly		EA
9	1056761	1	Eye Bolt with locknut		EA
10	1056872	1	7 Speed Hub & Shifter		EA
11	1093511	1	Clamp, 1" Diameter (Used as mount for Hub Lever)		EA
12	1060648	1	Shifter only (Twist Shifter)		EA
13	1065270	2	Handpedal, Horizontal (Standard for LXC model) <input type="checkbox"/> Right <input type="checkbox"/> Left		EA
	1060670	1	Tri-pin Quad Handle Right Hand		EA
	1060671	1	Tri-pin Quad Handle Left Hand		EA
	1166359	2	Quad Cuff Handpedal <input type="checkbox"/> Right <input type="checkbox"/> Left		EA
	1068761	1	Parking Brake Assembly (includes caliper, lever, cable & housing)		EA
14	1060291	1	Parking Brake Lever		PR
15	1060212	1	Parking Brake Caliper		EA
16	1146014	1	Cable and Housing for Parking Brake		EA
17	1109747	1	Mountain Drive Crankset with tool set (includes right and left Crank Arms)		EA
18	1109754	1	Crank Support for Mountain Drive Crankset		EA
19	1156773	1	Chaingring Guard, Solid		EA



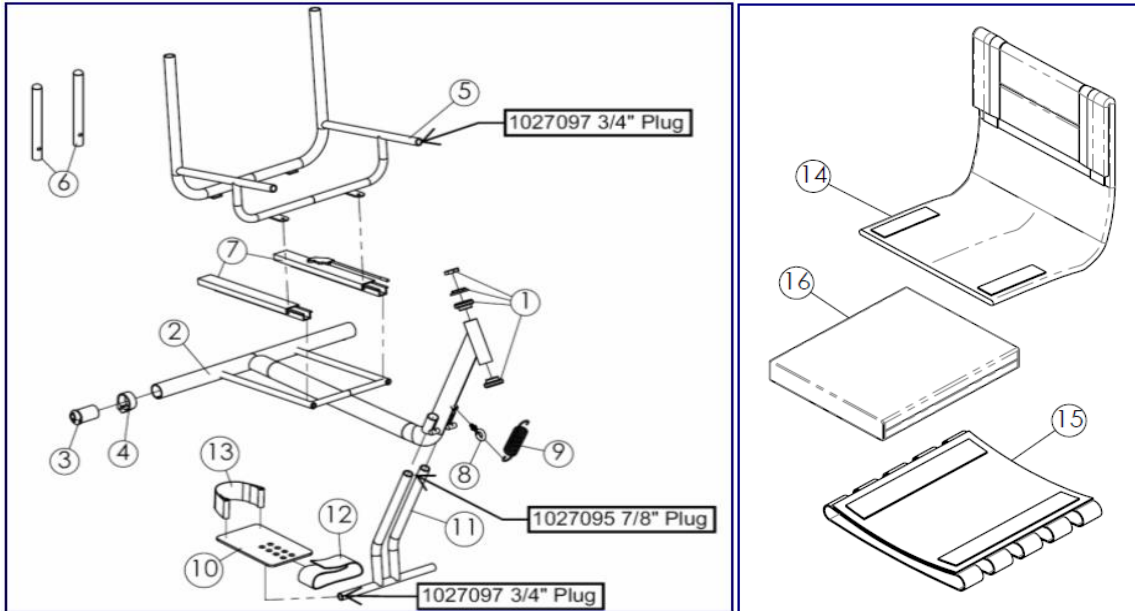
Invacare Top End Sports and Recreation Products

(800) 532-8677 (727) 522-8677 fax: (727) 522-1007

Parts Order Diagram:

**XCL & LXC: FRAME ASSEMBLY**

Date:	PO#:	SO#:
Bill To:	Ship To:	
Quote #:	Phone:	Serial #:



ITEM	PART NUMBER	PER BIKE	DESCRIPTION	QTY.	
1	1056876	1	Fork headset bearing kit		EA
2	1065293	1	Frame XCL		EA
	1065292	1	Frame LXC		EA
3	1068760	1	Camber Plug 9 Degree Quick Release		EA
4	1116530	2	Camber clamp		EA
5	1065291	1	Seat Frame Seat Width: <input type="text"/>		EA
6	1065290	2	Back Extension Assembly (Includes Plugs)		EA
7	1063515	1	Seat Slider Set		PR
8	1056761	1	Eyebolt w/locknut		EA
	1027097	na	3/4" Plug		EA
	1027095	na	7/8" Plug		EA
9	1056794	1	Spring		EA
10	1065294	2	Plate, Footrest (includes plate, clamp, and bolts)		EA
11	1056855	1	Footrest Support		EA
12	1056224	2	Footstrap		EA
13	1065301	2	Heelstrap (includes hardware)		EA
14	1065286	1	Back Upholstry (Folddown) Seat Width: <input type="text"/>		EA
15	1127963	1	Seat Upholstry, Adjustable Tension Seat Width: <input type="text"/>		EA
16	1054272	1	Soft Cushion: <input type="checkbox"/> 2" <input type="checkbox"/> 3" <input type="checkbox"/> 4" Cushion Width: <input type="text"/>		EA



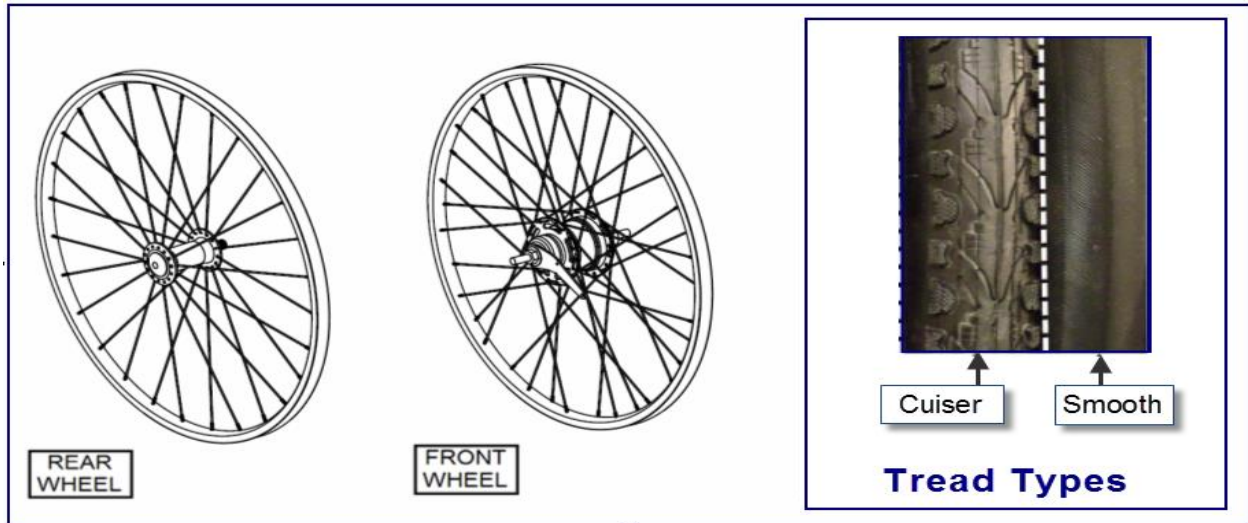
Invacare Top End Sports and Recreation Products

(800) 532-8677 (727) 522-8677 fax: (727) 522-1007

Parts Order Diagram:

**XCL & LXC: WHEELS**

Date:	PO#:	SO#:
Bill To:	Ship To:	
Quote #:	Phone:	Serial #:



ITEM	PART NUMBER	PER BIKE	DESCRIPTION	QTY.	
XCL					
	1065272	1	24" Off Road/Cruiser <b>Front Wheel</b> with Shimano 7 speed hub (Clincher Only)		EA
	1065274	2	24" Off Road/Cruiser <b>Rear Wheel</b> , Quick Release axle (Clincher Only)		EA
	1060711	3	Tire, 24" Cruiser		EA
	1063519	3	Tube, 24" Knobby/Cruiser		EA
	1166235	3	24" Thorn resistant tire protectors		EA
LXC					
	1060696	1	20" Cruiser <b>Front Wheel</b> with Shimano 7 speed hub (Clincher Only)		EA
	1065289	2	20" Cruiser <b>Rear Wheel</b> (Clincher Only)		EA
	1057762	3	Tire, 20" Smooth		EA
	1057763	3	Tube, 20"		EA
EA					
	1061213	3	Rim Strip □ 20" □ 24"		EA
	1065303	2	Quick Release Axle		EA



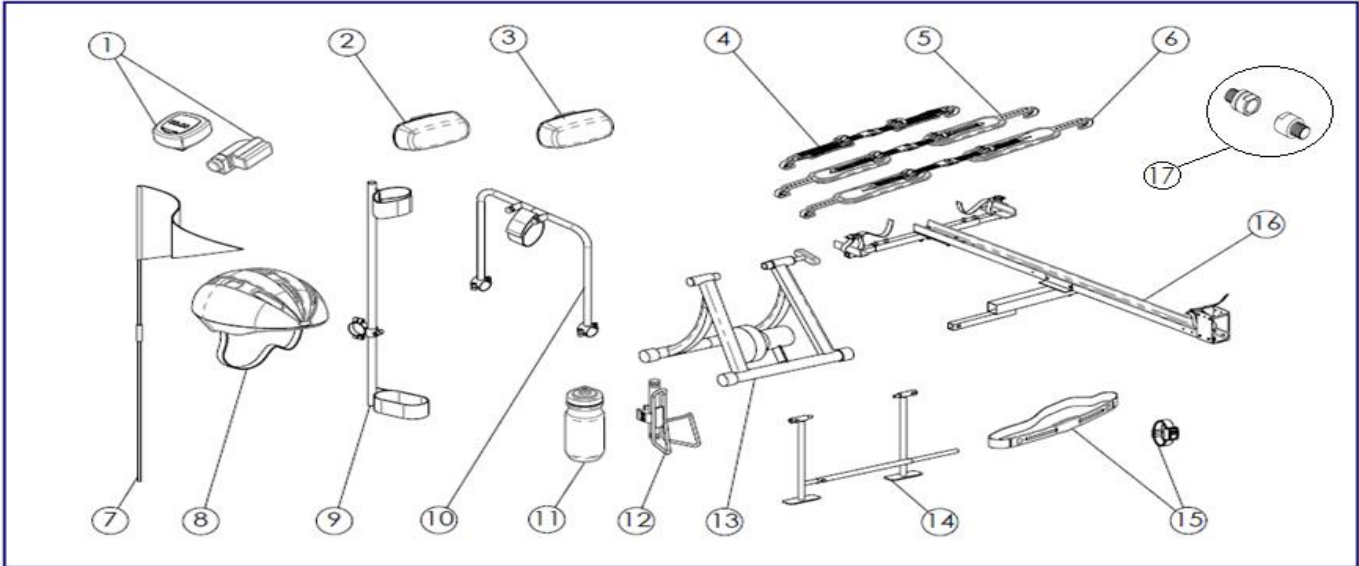
Invacare Top End Sports and Recreation Products

(800) 532-8677 (727) 522-8677 fax: (727) 522-1007

Parts Order Diagram:

**XCL & LXC: ACCESSORIES**

Date:	PO#:	SO#:
Bill To:	Ship To:	
Quote #:	Phone:	Serial #:



ITEM	PART NUMBER	PER BIKE	DESCRIPTION	QTY.	
1	1056875	1	Cordless Computer		EA
2	1068721	1	Front Safety Light (clear)		EA
3	1060841	1	Rear Safety Light (red)		EA
4	1152963	1	Click Strap Set, 8" (small)		EA
5	1152964	1	Click Strap Set 10" (medium)		EA
6	1152965	1	Click Strap Set 12" (large)		EA
7	1060642	1	Safety flag		EA
	1063516	1	Safety flag with Mounting Hardware		EA
8	1060639	1	Helmet: <input type="checkbox"/> Small / Medium <input type="checkbox"/> Medium / Large		EA
9	1068723	1	Crutch Holder, (Indicated Bike Model and serial #)		EA
10	1068720	1	Tow Bar for Wheelchair		EA
11	1166517	1	Water Bottle		EA
12	1068718	1	Water Bottle, Cage and Hardware ( Indicated Bike Model)		PR
13	1116580	1	Indoor Training Roller		EA
14	1109717	1	Alignment Guage		EA
15	1139799	1	Heart Monitor (Chest Strap and Watch)		EA
16	1068771	1	Bike Rack for trailer hitch Receiver Size: <input type="checkbox"/> 1-1/4" (std) <input type="checkbox"/> 2"		EA
	1068799	1	Flex Mirror		EA
	1065268	1	Leg Guard Attachment		EA
	1060798	1	Backpack Hydration System		EA
	1166518	1	Tool and Tire Repair Kit		EA
	RACE4	1	Wheel Bag		EA
	RACE13	1	Top End Bike Jersey <input type="checkbox"/> Large <input type="checkbox"/> X-Large		EA
	RACE22	1	Top End T-Shirt <input type="checkbox"/> Large <input type="checkbox"/> X-Large		EA
	1166516	2	Crank Width Adapter Set		PR