

Spare Parts Catalogue

Version: PartList_VIAV1220120901a.xls EN



viaplus®



Yes, you can.®

General Information

For any order of spare parts the following information is required:

- Product type*
- Product name & model*
- Serial Number*
- Part-Number*
- Part-Description*

Exploded view drawings and code numbers are not contractual and subject to modification, in relation to Invacare® continuous product improvement policy to meet end users needs.

The reproduction or use of this work, or of any substantial part of this work, in any form or by any electronic, mechanical or other means, including photocopying, scanning and recording, and in any information storage and retrieval system, including electronic transmission, is forbidden without the prior written permission of Invacare® International Sarl.



Yes, you can.[®]

TABLE OF CONTENTS

Control unit viaplus V12, complete

Control unit viaplus V12, complete	5
Control unit viaplus V12, complete spare parts	6

Battery pack Quix Q10 complete

Battery pack Quix Q10 complete	7
Battery pack Quix Q10 complete spare parts	8

Charger 24V 1,0A

Charger 24V 1,0A	9
------------------------	---

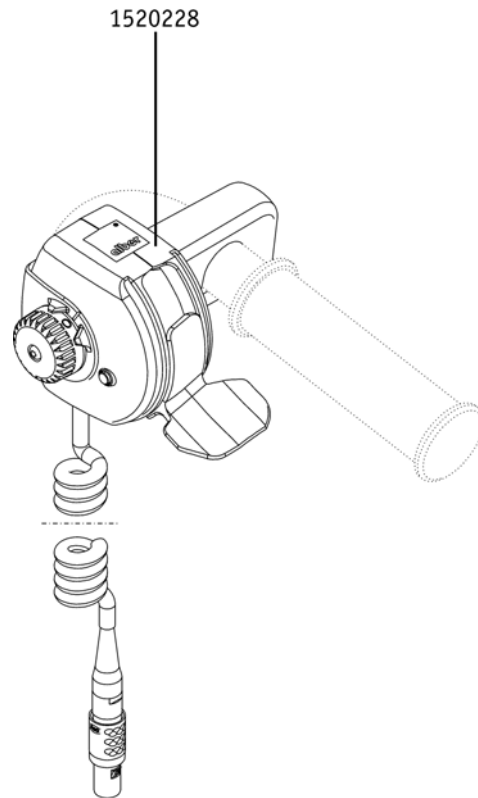
Drive unit viaplus V12, complete

Drive unit viaplus V12, complete	10
Drive unit viaplus V12, complete spare parts	11

Others options & accessories

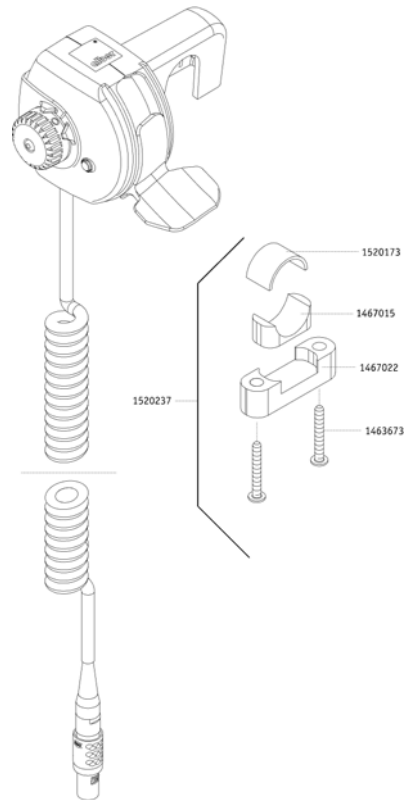
Others options & accessories	12
------------------------------------	----

Alber® viaplus V12 | Control unit viaplus V12, complete
Control unit viaplus V12, complete



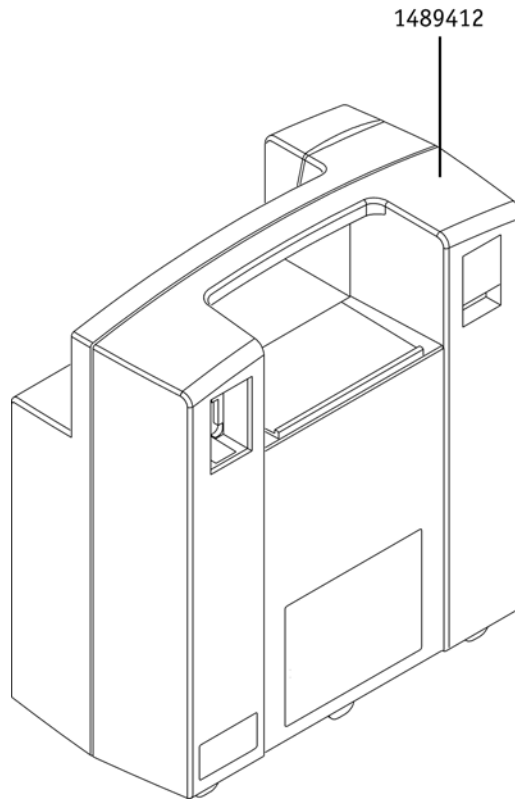
Pos.	Part number	Description	Valid from → until	Qty
		Control unit viaplus V12, complete spare parts		
	1520228	Control unit viaplus V12, complete		1

Control unit viaplus V12, complete spare parts



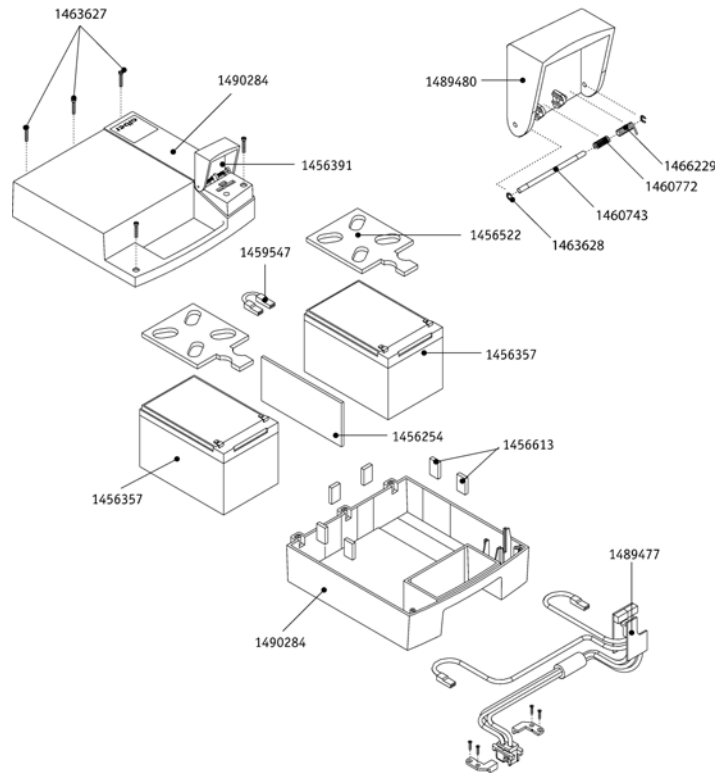
Pos.	Part number	Description	Valid from → until	Qty
	1463673	Truss head screw		1
	1467015	Inlet profile 22mm		1
	1467022	Clamp colourless anodized		1
	1520173	Band		1
	1520237	Clamping set for control unit viaplus V12		1

Battery pack Quix Q10 complete



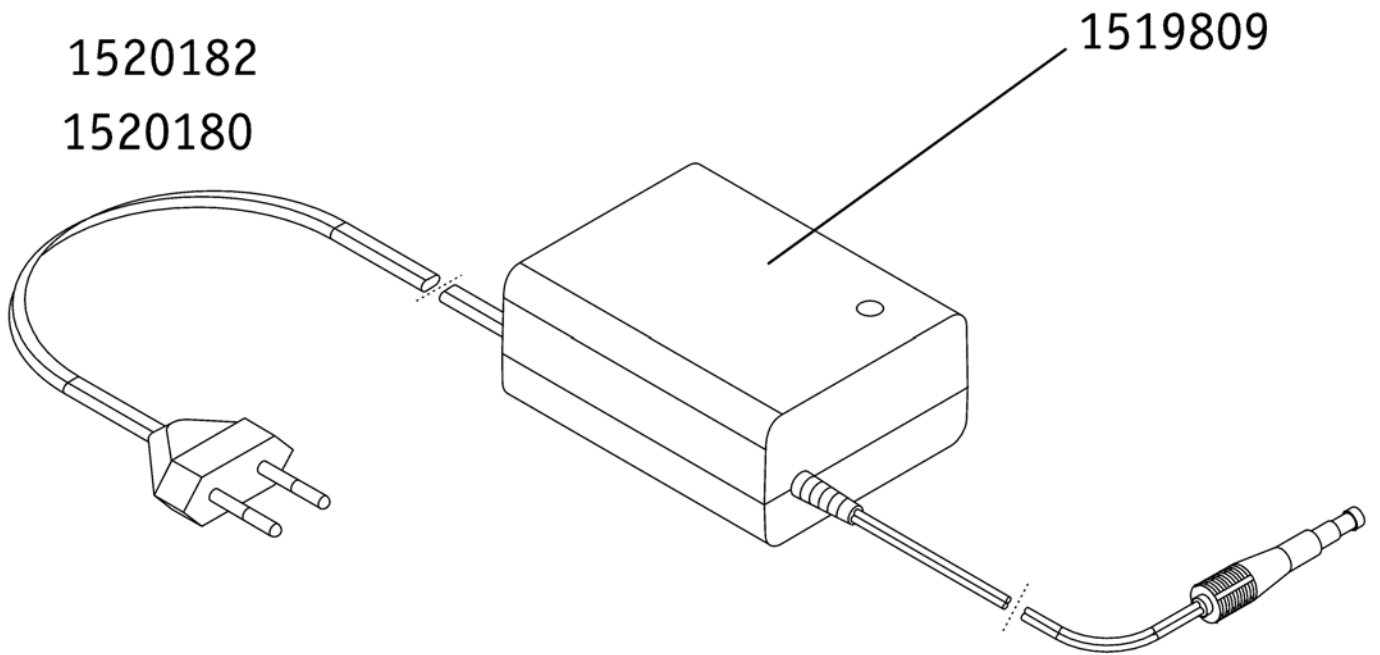
Pos.	Part number	Description	Valid from → until	Qty
	1489412	Battery pack Quix Q10 complete spare parts Battery pack Quix Q10 complete		1

Battery pack Quix Q10 complete spare parts



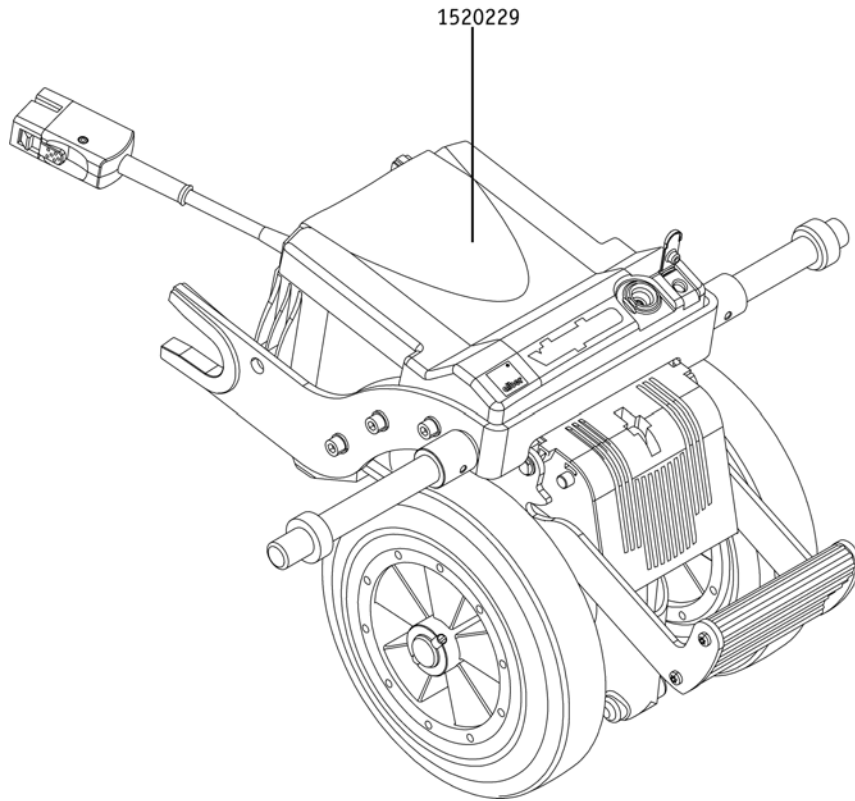
Pos.	Part number	Description	Valid from → until	Qty
	1456254	Cellular rubber tape 70x4 mm, 145 mm long self-adhesive on one side		1
	1456391	Fuse 25A flat		1
	1456613	Foam rubber small		1
	1456913	Battery 12 V/12 Ah inclusive foam rubber		1
	1459547	Cable for battery 12Ah		1
	1460743	Hinge axle		1
	1460772	Leg spring for cover battery pack viamobil V15 - Quix Q10		1
	1463627	Screw Eجت PT K 30 x 12 WN 1423		1
	1463628	Securing disk 2.3 mm DIN 6799		1
	1466229	Pressure spring VD-117B5,00x0,70x12,1014310		1
	1489477	Battery circuit board Quix Q10		1
	1489480	Covering hood Quix Q10		1
	1490284	Housing Battery pack Set		1

Charger 24V 1,0A

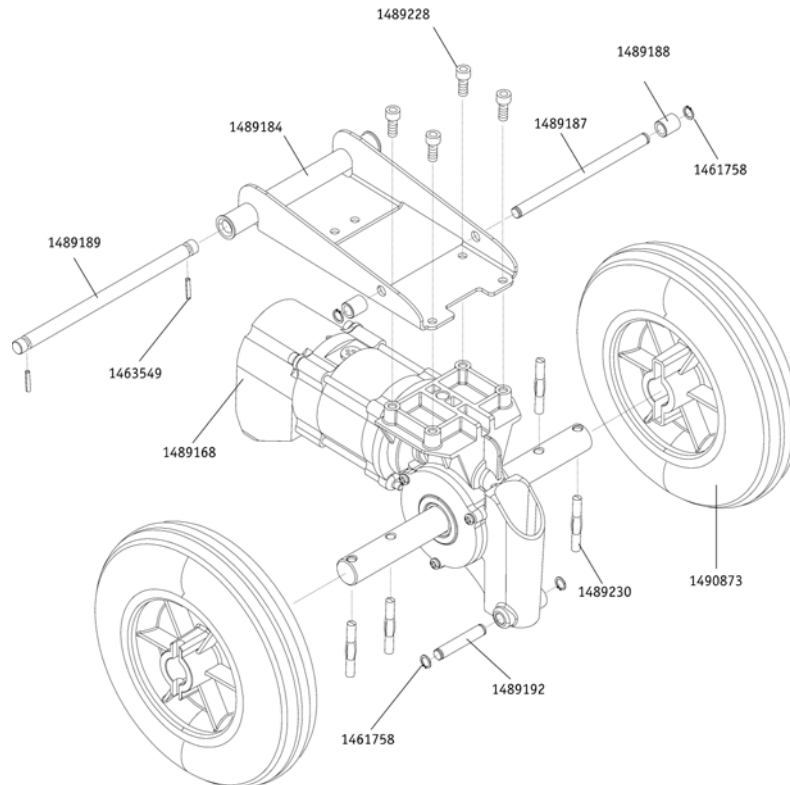


Pos.	Part number	Description	Valid from → until	Qty
	1519809	Charger 24V 1,0A with main cable EU		1
	1520182	Mains cable for charger 1.0A EU		1
	1520180	Mains cable for charger 1.0A UK-Version		1

Drive unit viaplus V12, complete

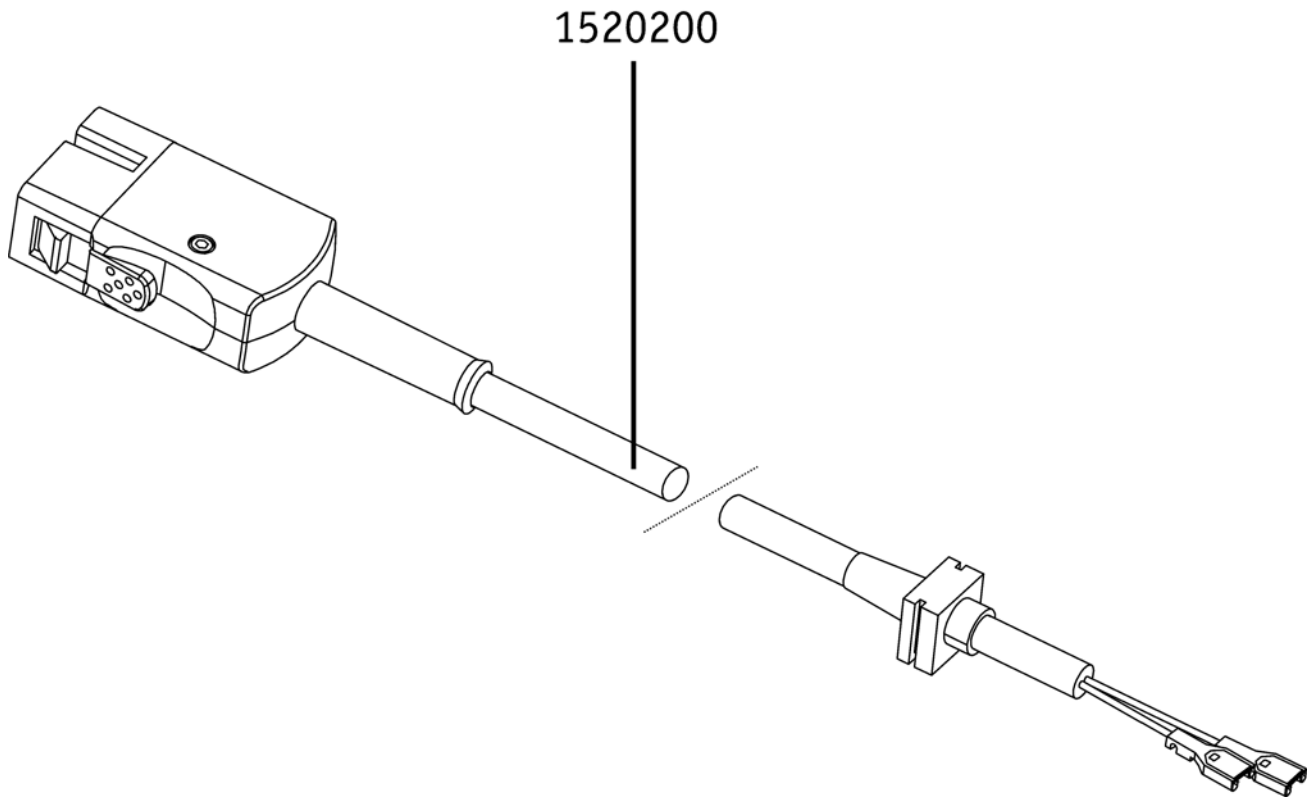


Pos.	Part number	Description	Valid from → until	Qty
		Drive unit viaplus V12, complete spare parts		
	1520229	Drive unit viaplus V12, complete		1

Drive unit viaplus V12, complete spare parts

Pos.	Part number	Description	Valid from → until	Qty
	1489229	Screws		1
	1489196	Pedal profile viamobil V14		1
	1463394	Locking ring DIN 471 - 10 x 1 - A2		1
	1489195	Pedal arm viamobil V14		1
	1489228	Screws		1
	1489187	Stop axle viamobil eco V14		1
	1489188	Guide roller		1
	1461758	Locking ring DIN 471 - 8 x 0,8		1
	1490873	Drive wheel viamobil eco V14 incl. sleeves		1
	1489230	Spiral pin		1
	1489192	Axle for gas spring bottom part for viamobil V14		1
	1461758	Locking ring DIN 471 - 8 x 0,8		1
	1489168	Drive motor viamobil eco V14		1
	1463549	Screw Ejot PT DG 40 x 10 WN 1552 Z		1
	1489189	Swivel axle viamobil V14		1
	1489224	Gas spring viamobil V14		1
	1463526	Locking ring DIN 985 - M 4 - 8 vz		1
	1490577	Controller for S-Drive generic (D50745) incl. cover		1
	1460592	Countersunk head screw DIN 7991 - M4 x 30 - 8.8		1
	1489163	Drive housing viamobil V14		1
	1489193	Axle for gas spring upper part for viamobil V14		1
	1489225	Blind flange		1
	1489184	Swivel plate viamobil V14		1

Others options & accessories



Pos.	Part number	Description	Valid from → until	Qty
	1520200	Adapter cable viaplus V12		1



Yes, you can.®



Belgium & Luxemburg:

Invacare nv, Autobaan 22, B-8210 Loppem
Tel: (32) (0)50 83 10 10, Fax: (32) (0)50 83 10 11
belgium@invacare.com / www.invacare.be

Denmark:

Invacare A/S, Sdr. Ringvej 37, DK-2605 Brøndby
Tel: (45) (0)36 90 00 00, Fax: (45) (0)36 90 00 01
denmark@invacare.com / www.invacare.dk

Deutschland:

Invacare Aquatec GmbH, Alemannenstraße 10, D-88316 Isny
Tel: (49) (0)75 62 7 00 0, Fax: (49) (0)75 62 7 00 66
info@invacare-aquatec.com / www.invacare-aquatec.de

European Distributor Organisation:

Invacare, Kleiststraße 49, D-32457 Porta Westfalica
Tel: (49) (0)57 31 754 540, Fax: (49) (0)57 31 754 541
edo@invacare.com / www.invacare.eu.com

España:

Invacare SA, c/Areny s/n, Polígon Industrial de Celrà, E-17460 Celrà (Girona)
Tel: (34) (0)972 49 32 00, Fax: (34) (0)972 49 32 20
contactsp@invacare.com / www.invacare.es

France:

Invacare Poirier SAS, Route de St Roch, F-37230 Fondettes
Tel: (33) (0)2 47 62 64 66, Fax: (33) (0)2 47 42 12 24
contactfr@invacare.com / www.invacare.fr

Ireland:

Invacare Ireland Ltd, Unit 5 Seatown Business Campus, Seatown Road, Swords, County Dublin - Ireland
Tel: (353) 1 810 7084, Fax: (353) 1 810 7085
ireland@invacare.com / www.invacare.ie

Italia:

Invacare Mecc San s.r.l., Via dei Pini 62, I-36016 Thiene (VI)
Tel: (39) 0445 38 00 59, Fax: (39) 0445 38 00 34
italia@invacare.com / www.invacare.it

Nederland:

Invacare BV, Celsiusstraat 46, NL-6716 BZ Ede
Tel: (31) (0)318 695 757, Fax: (31) (0)318 695 758
nederland@invacare.com, csede@invacare.com / www.invacare.nl

Norge:

Invacare AS, Grensesvingen 9, Postboks 6230, Etterstad, N-0603 Oslo
Tel: (47) (0)22 57 95 00, Fax: (47) (0)22 57 95 01
norway@invacare.com, island@invacare.com / www.invacare.no

Österreich:

Invacare Austria GmbH, Herzog Odilostrasse 101, A-5310 Mondsee
Tel: (43) 6232 5535 0, Fax: (43) 6232 5535 4
info-austria@invacare.com / www.invacare.at

Portugal:

Invacare Lda, Rua Estrada Velha, 949, P-4465-784 Leça do Balio
Tel: (351) (0)225 1059 46/47, Fax: (351) (0)225 1057 39
portugal@invacare.com / www.invacare.pt

Sverige & Suomi:

Invacare AB, Fagerstagatan 9, S-163 91 Spånga
Tel: (46) (0)8 761 70 90, Fax: (46) (0)8 761 81 08
sweden@invacare.com, finland@invacare.com / www.invacare.se

Switzerland:

Invacare AG, Benkenstrasse 260, CH-4108 Witterswil
Tel: (41) (0)61 487 70 80, Fax: (41) (0)61 487 70 81
switzerland@invacare.com / www.invacare.ch

United Kingdom:

Invacare Limited, Pencoed Technology Park, Pencoed, Bridgend CF35 5AQ
Switchboard Tel: (44) (0)1656 776200, Fax: (44) (0)1656 776201
Customer services Tel: (44) (0)1656 776222, Fax: (44) (0)1656 776220
uk@invacare.com / www.invacare.co.uk