

Invacare® | **Storm⁴ X-plore**



Invacare® **Modulite™**



Confident outdoor driving in comfort!

With the *Invacare Storm⁴ X-plore* power chair, clients can experience the benefits of four-wheeled suspension for confident driving outdoors whatever the terrain. The increased shock absorption and improved traction even on rough ground give the ultimate driving performance for clients wanting to enjoy more freedom in any environment. With the addition of the **True Track[®] Plus** motors, clients can now drive faster and further than ever before! **Storm⁴ X-plore** offers the perfect combination of outdoor driving and comfortable seating, with the **Modulite™** system providing a wide range of supportive seating options to give the best fit in seating to a wide range of clients.



Yes, you can.®



Four-wheel suspension

Four individually adjustable high end springs with integrated shock absorbers guarantee excellent comfort and traction on uneven ground.

The pneumatic tyres increase the performance of the **Storm⁴ X-plore** outdoors.

Ease of use

Batteries and electronics are easily accessible, making servicing simple. The **Modulite™** highly adaptable modular seating system is simple to adjust, enabling the optimum fit, and can be changed at time to suit the needs of the client.

True Track[®] Plus

Now featuring the **True Track[®] Plus** the next generation of gearless, brushless motors. These motors support a far greater driving range than conventional geared motors and allow exact speed adjustment with maintained torque – up to 40% more torque at slower speeds.

They are perfect for all types of clients with varying levels of experience for an easy and safe drive, as well as a great option for those seeking a more dynamic ride.



Features and Options



Rear suspension

Rear Suspension is designed with challenging terrains in mind.



Front suspension

Spring force and absorption can be set to client's individual needs.



Coloured labels

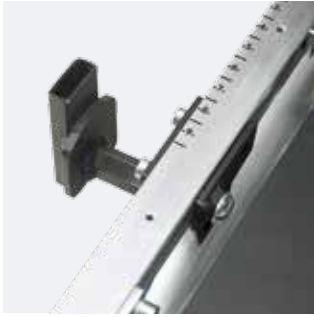
The coloured labels on the front arms give a personal aesthetic touch.



Docking Station

The crash tested Dahl docking station allows easy and secure attachment of **Invacare Storm⁴ X-plore** to a vehicle, even as a driver.

Features and Options



Armrest support

The armrest support is sideways adjustable by 25 mm each side.



Powered recline

The powered recline features a high pivot point for a natural movement. It can be retro-fitted.



Fold down backrest

The actuator on the powered recline backrest has a quick release mechanism and can easily be folded for transportation.



Invacare *Matrix*® backs

This attractive range of backs is available in lightweight designs. The different types of backs offer optimal postural support.



Single back posts

Cast back post receivers incorporate manual angle settings and slide onto the rail system to allow significant seat depth adjustment.



True Track[®] Plus Technology

Featuring the next generation gearless, brushless **True Track[®] Plus** motors that are powerful, highly efficient and absolutely silent.

Invacare[®] Modulite™

Invacare **Modulite™** seat components are cross compatible across the Invacare power chair range and partly with the Invacare Rea[®] family.



LED light system

Attractive design with a strong, bright light for a safe drive.



Easy battery access

Batteries slide out easily for simple servicing. Just open the rear flap gate and pull the batteries out.



Easy access to electronics

Easy access to all electronics, cabling and harnesses for quick and trouble free service and maintenance.

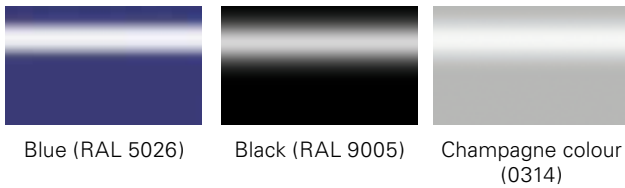
Technical data

Modulite™	380 - 530 mm	410 - 510 mm	480, 540, 560 mm ^{1,8}	1020 - 1190 mm	90 - 120°	245- 310 mm ⁹	174 kg ²
440 - 690 mm ³	290 - 460 mm ⁴	0° - 25° ⁷	630 mm (wheelbase)	1190 mm ⁵	910 mm	150 kg	
450 / 480 mm W/O lifter	73,5 Ah	1770 mm	60 / 100 mm	20% (11.3°)	340 W 600 W ¹⁰	6 / 10 km/h 13 km/h 10	42 km ⁶ 59 km ^{6, 10}

- 1/ measured from seat plate
- 2/ average, varies with configuration
- 3/ ground to seat plate, w/o seat cushion with lifter
- 4/ measured from foot plate to seat plate
- 5/ leg rest at largest angle
- 6/ measurement according to ISO 7176-4
- 7/ powered
- 8/ depending on back support choice
- 9/ with telescopic seat frame
- 10/ with **True Track® Plus**
- 11/ **Invacare Modulite™** seat components are cross compatible across the Invacare power wheelchair range and partly with the Invacare Rea® family.



Standard colours



Blue (RAL 5026) Black (RAL 9005) Champagne colour (0314)

Colour options



Transparent red (0200) White (RAL 9016) Olive green (RAL 6003)

Invacare Limited
 Pencoed Technology Park - Pencoed -
 Bridgend CF35 5AQ - United Kingdom
 Tel: +44 1 656 776 222
 Fax: +44 1656 776 220
 E-mail: uk@invacare.com
 Sales Order E-mail:
 ordersuk@invacare.com
 www.invacare.co.uk

Invacare Ireland Ltd
 Unit 5 - Seatown Business Campus
 Seatown Road - SWORDS - County
 Dublin - Ireland
 Tel. +353 1 8107084
 Fax +353 1 8107085
 Email: Ireland@invacare.com
 www.invacare.ie

© 2014 Invacare International Sàrl
 All rights reserved.

All information quoted is believed to be correct at time of print.
 Invacare reserves the right to alter product specifications without prior consultation.

Storm4 Xplore - UK - 09/2014 - 1579017



Further options: any RAL colour, with upcharge and longer lead time.

More detailed information, technical data, references for transport or description of certain options can be found in the wheelchair's user manual.

