

Spare Parts Catalogue

Version: 2015/05/13a EN





Yes, you can.®

General Information

For any order of spare parts the following information is required:

- Product type*
- Product name & model*
- Serial Number*
- Part-Number*
- Part-Description*

Exploded view drawings and code numbers are not contractual and subject to modification, in relation to Invacare® continuous product improvement policy to meet end users needs.

The reproduction or use of this work, or of any substantial part of this work, in any form or by any electronic, mechanical or other means, including photocopying, scanning and recording, and in any information storage and retrieval system, including electronic transmission, is forbidden without the prior written permission of Invacare® International Sarl.



Yes, you can.[®]

TABLE OF CONTENTS

Information & User Manuals

User Manuals Bora/Spectra XTR	11
User Manuals REM550	12
User Manuals REM24SD	13
User Manuals REM A & REM B	14
User Manuals Shark2	15
User Manuals IDC Dual Control	16
User Manuals REM34 & REM41 Tray/Centre Control	17
User Manual Proximity Head Remote DSL-105	18
User Manuals ACS Handprogrammer	19

Chassis

Frame	20
Battery Carrier	21
Suspension	22
Cover Lifter	23
Anti-Tipper	24

Seat

Seat	25
Standard Seat	26
Tilt 20°	27
Tilt 28°	28
Lifter	29
Bellows	30
Seat Frame with Plate	31
Seat Frame Support	32
Seat Cushion	33
Flex2 Seat	34
Tilt 20°	27
Tilt 28°	28
Lifter	29
Bellows	30
Seat Frame with Plates	35
Seat Frame Support	32
Seat cushion	36
Firm Seat	37
Tilt 20°	27
Tilt 28°	28
Lifter	29
Bellows	38
Seat Frame	39
RUIK-Seat Frame	40
Seat Frame Support	32
Seat Cushion	41
Seat Board	42
Max Seat	43
Tilt 20°	27
Lifter	29
Bellows	30



Yes, you can.®

TABLE OF CONTENTS

Seat Frame with Plates	44
Seat Frame Support	32
Seat Cushion Max	45
Modulite Seat	46
Tilt 20°	27
Tilt 30°	47
Lifter	48
One Piece Seat Plate	49
Telescopic Seat Frame and Plate	50
Telescopic Seat Frame for Tilt 12° / 20°	51
Telescopic Seat Frame for Tilt 30° / Lifter	52
Armrest bracket	53
Legrest Support	54
Seat Plate	55
Telescopic Seat Frame and Sling Seat	56
Telescopic Seat Frame for Tilt 12° / 20°	57
Telescopic Seat Frame for Tilt 30° / Lifter	58
Armrest bracket	53
Legrest Support	59
Sling Seat	60
Telescopic Seat Frame and Universal Adapter	61
Telescopic Seat Frame for Tilt 12° / 20°	51
Telescopic Seat Frame for Tilt 30° / Lifter	52
Armrest bracket	53
Legrest Support	54
Adapter Kit for Universal Seat	62
Seat frame support	63
Seat Cushion	64
Leckey Seat (only UK)	67
Tilt 20°	27
Seat Frame Support	32

Backrest

Backrest	68
Backrest for Standard Seat	69
Backrest Standard Seat, quick release	70
Backrest Standard Seat, settable	71
Backrest Standard Seat, Powered Recliner	72
Backrest for Flex2 Seat	73
Backrest Recliner	74
Backrest Flex2	75
Backrest frame Flex2, tension adjustable	76
Push handles Flex2	77
Push handles Flex2, attendant control	78
Backrest cushion	79
Tension adjustable	80
Backrest for Firm Seat	81
Backrest Recliner, manual, Padded Back	82
Backrest Recliner, powered, Padded Back	83
Backposts for Padded Back, manual	84
Backposts for Padded Back, powered	85
Flangeless Backpost	86



Yes, you can.®

TABLE OF CONTENTS

Backposts for tension adjustable	87
Padded Back	88
Tension adjustable	89
Backrest for Max Seat	90
Backrest Recliner	91
Backrest Max-Seat	92
Backrest for Modulite Seat	93
Support for Backrest Frame	94
Backrest Frame	95
Sling Back, tension adjustable	96
Backrest support	97
Backposts	98
Connection tube	99
Back Recliner / Stabilization bracket	100
Backrest Cushion	101
Flex3 adjustable Backrest Plate	103
Push handle for Leckey Seat (UK only)	104

Legrests / Hangers

Legrest Support, 80° & man. elevating, Standard-seat	105
Legrest Support, 80° & man. elevating, Flex2-/Max-Seat	106
Legrest Support, 80° & man. elevating, Firm-Seat	107
Legrest Support, 80° & man. elevating, Modulite Seat	108
Legrest Support, Vari series, Standard-Seat	109
Legrest Support, Vari series, Flex2-/Max-Seat	110
Legrest Support, Vari series, Firm-Seat	111
Legrest Support, Vari series, Modulite-Seat	112
Legrest Support, 70°/90°, Firm-Seat	113
Legrest Support, angle adj., Firm-Seat	114
Hanger Standard 80°	115
Hanger manually height adjustable	116
Hangers Vari F LH/RH	117
Hangers Vari A LH/RH 04.2009 =>	118
Hangers ADE/ADP LH/RH electric 07.2005 =>	119
Hanger 70 Deg, Standard	120
Hanger 70°, Firm-Seat	121
Hanger 90°, Firm-Seat	122
Hanger Angle, Adjustment	123

Footplates / Support tubes

Legrest 80°	124
Footplate, depth-, angleadjustable, 80°	125
Footrest, fixed, 70°	126
Footrest, angleadjustable, 70°	127
Footrest, depth-, angleadjustable, 70°	128
Footplate with support tube angle adjust. RH/LH	129
Footrests 80° & man. elevating	130
Footrests Vari series	131
Footrests Vari, Flip-Up - 01.08.10 =>	132
Footrests Vari, Flip-Up & angle adjustable - 01.08.10 =>	133



Yes, you can.®

TABLE OF CONTENTS

Armrests

Armrests	134
Armrest for Standard Seat	135
T-Armrest, detachable, with Armpad, for Standard Seat 2008-08-01 ==>	136
Armrest for Flex2 Seat	137
Armrest long	138
Armrest Hemiplegic	139
Armrest Azalea style	140
Armrest RIO, Flex II	141
T-Armrest detachable	142
Flip-up armrest	143
Mounting bracket Flip-up armrests	144
Skirt guard Flip-up armrest	145
Armrest for Firm Seat	146
Armrest, padded	147
Armrest, moulded	148
Armrest Ergonomic	149
Armrest for Max Seat	150
Armrest long	151
Armrest Hemiplegic	139
T-Armrest detachable	142
Armrests for Modulite Seat	152
T-Armrest	153
Padded Armrest	154
Inrigged Armrest	155
Flip-Up Armrest	156
Following Armrest	157
Hip Support	158

Castors

Frontwheels 200x45	159
Frontwheels 230x60	160

Drive Wheels

Drive Wheels	161
--------------	-----

Propulsion

Motor =>31.07.2011	162
Propulsion SSD - Details	163
Swingarm SSD-Motor 18.04.2011=>	166
Hubs	167

Brakes

Holdingbrake	168
--------------	-----

Electronic

Electronic	169
ACS Electronic	170



Yes, you can.®

TABLE OF CONTENTS

ACS Electronic Modules	171
Powermodules	172
Upgrade-Kit 80A ACS => ACS2, Dragon / Tiger / Topan	173
Upgrade-Kit 80A ACS => ACS2, Dragon Vertic	174
Retrofit-Kit 80A ACS => ACS2	175
Upgrade-Kit 80A ACS => ACS2, Storm [®] Vertic	176
Holder for Electronic ACS 2	177
ACT 2 for ACS 1, with Holder	178
ACT-Brackets	179
Lightboard	180
Lightboardholder Shark/ACS2	181
G-Trac-sensor	182
Holder for Gyro	183
ACS Remote & Brackets	184
Remote REM 24 SD with Brackets	185
Remote REM 24SD	186
Remote Bracket Standard	187
Remote Bracket Swing away & height adjust.	188
Remote Bracket Attendant for Standard-/Flex2-/Max-Seat	189
Remote Bracket Attendant long for Firm Seat	190
Remote Bracket Attendant short for Firm Seat	191
Remote REM A & B with Brackets	192
Remote Bracket Standard	187
Remote Bracket Swing away & height adjust.	193
Remote Bracket Attendant for Standard-/Flex2-/Max-Seat	189
Remote Bracket Attendant long for Firm Seat	190
Remote Bracket Attendant short for Firm Seat	194
Remote REM 550 with Brackets	195
Remote Bracket Standard	187
Remote Bracket Swing away & height adjust.	188
Remote Bracket Attendant for Standard-/Flex2-/Max-Seat	189
Remote Bracket Attendant long for Firm Seat	190
Remote Bracket Attendant short for Firm Seat	191
Remote REM 34 with Brackets	196
Remote Bracket Standard	197
Remote Bracket Swing away & height adjust.	198
Remote G 90 A with Brackets	199
Remote Bracket Standard	200
Remote Bracket Swing away & height adjust.	201
Remote Bracket Attendant for Standard-/Flex2-/Max-Seat	202
Remote Bracket Attendant long for Firm Seat	203
Remote Bracket Attendant short for Firm Seat	204
Remote G91S with Brackets	205
Remote Bracket Standard	206
Centre control ACS REM41	207
Remote Small Chin Control with Brackets	208
Small Chincontrol	209
Framework for chincontrol	210
Remote Dual Control with Brackets	211
Remote Bracket Dual Control for Standard-/Flex2-/Max-Seat	212
Remote Bracket Dual Control for Modulite Seat	213
Remote Bracket Dual Control long for Firm-Seat	214



Yes, you can.®

TABLE OF CONTENTS

Remote Bracket Attendant short for Firm Seat	194
Remote IDC Dual Control with Brackets	215
ACS Cables & Accessories	216
Bus-Cables ACS	217
T-Adapter ACS 2	218
T-Adapter - Modulite Seat	219
Slow-Stop-Sensor & Holder	220
Programming Kits	221
Magnetkey for Remotes	222
Shark Electronic	223
Shark Electronic Modules	224
Powermodules	172
Upgrade-Kit 80A ACS => ACS2, Dragon / Tiger / Topan	173
Upgrade-Kit 80A ACS => ACS2, Dragon Vertic	174
Retrofit-Kit 80A ACS => ACS2	175
Upgrade-Kit 80A ACS => ACS2, Storm ³ Vertic	176
Lightboard	180
Lightboardholder Shark/ACS2	181
Shark Remote & Brackets	225
Remote Shark with Brackets	226
Remote Bracket Standard	187
Remote Bracket Swing away & height adjust.	193
Remote Bracket Attendant for Standard-/Flex2-/Max-Seat	189
Remote Bracket Attendant long for Firm Seat	190
Remote Bracket Attendant short for Firm Seat	194
Remote Dual Control with Brackets	227
Remote Bracket Dual Control for Standard-/Flex2-/Max-Seat	228
Remote Bracket Dual Control for Modulite Seat	229
Remote Bracket Dual Control long for Firm-Seat	214
Remote Bracket Attendant short for Firm Seat	194
Shark Cables & Accessories	230
Bus-Cables Shark	231
Cables Shark	232
Programming Kits	221
R-NET Electronic	233
R-NET Electronic Modules	234
Powermodule R-Net	235
Powermodules	172
Upgrade-Kit 80A ACS => ACS2, Dragon / Tiger / Topan	173
Upgrade-Kit 80A ACS => ACS2, Dragon Vertic	174
Retrofit-Kit 80A ACS => ACS2	175
Upgrade-Kit 80A ACS => ACS2, Storm ³ Vertic	176
Halter R-Net	236
Holder ISM	237
Lightboard	180
Lightboardholder R-Net	238
R-NET Remote & Brackets	239
Remote R-Net LED JSMs with Brackets	240
Remote Bracket Standard	241
Remote Bracket Swing away & height adjust.	242
Remote Bracket Attendant for Standard-/Flex2-/Max-Seat	243
Remote Bracket Attendant long for Firm Seat	244



Yes, you can.®

TABLE OF CONTENTS

Remote Bracket Attendant short for Firm Seat	245
Centre control	246
Chincontrol R-Net	247
Remote Dual Control with Brackets	248
Remote Bracket Dual Control for Standard-/Flex2-Seat	249
Remote Bracket Dual Control for Modulite Seat	250
Remote Bracket Dual Control long for Firm Seat	251
Remote Bracket Dual Control short for Firm Seat	252
R-NET Cables & Accessories	253
Bus-Cables R-NET	254
T-Adapter R-NET	255
Slow-Stop-Sensor & Holder	220
VR2 Electronic	256
VR2 Electronic Modules	257
Powermodules	172
Upgrade-Kit 80A ACS => ACS2, Dragon / Tiger / Topan	173
Upgrade-Kit 80A ACS => ACS2, Dragon Vertic	174
Retrofit-Kit 80A ACS => ACS2	175
Upgrade-Kit 80A ACS => ACS2, Storm ³ Vertic	176
Lightboard	180
VR2 Remote & Brackets	258
Remote VR2 with Brackets	259
Remote Bracket Standard	241
Remote Bracket Swing away & height adjust.	242
Remote Bracket Attendant for Standard-/Flex2-/Max-Seat	243
Remote Bracket Attendant long for Firm Seat	244
Remote Bracket Attendant short for Firm Seat	245
Remote Dual Control with Brackets	260
Remote Bracket Dual Control for Standard-/Flex2-Seat	249
Remote Bracket Dual Control for Modulite Seat	250
Remote Bracket Dual Control long for Firm Seat	251
Remote Bracket Dual Control short for Firm Seat	252
Drive Lockout ACS / Shark	261
Drive Lockout with bracket	262
Drive Lockout Cables - ACS	263
Drive Lockout Cables - Shark	264

Cables, Chargers & Batteries

Battery Boxes	265
Batteries	266
Chargers	267
Batterycable & Plug	268

Safety Options & Accessories

Light System (German homologation)	269
Rear Light Protector Kit	270
LED Light System	271
Reflective Sign	272
Kerb Rider	273
Kerb Rider (with parking position)	274
Lap Belt	275



Yes, you can.®

TABLE OF CONTENTS

Lap Belts (Modulite)	276
Rearview Mirror	277

Seat Accessories

Trunk Support - Flex-Seat	278
Trunk Support, multi adjustable - Easy Adapt	279
Trunk support Firm seat	280
Trunk Support - Modulite	281
Headrest Curve 1, Firm-Seat	282
Headrest sidewise adjustable	283
Head- / Neckrest	284
Abduction Cushion	285
Headrest with cheek support	286

Accessories

Luggage Rack	287
Mounting Kit Luggage Rack	288
Cane holder (Std., Flex2, Firm, Max Seat)	289
Cane holder (Modulite: backrest frame)	290
Cane holder (Modulite: back posts man recliner)	291
Cane holder (Modulite: back posts pow recliner)	292
Fender for Drive Wheel	293
Trays	294
Hour Counter	296
KLICKfix® bag	297
KLICKfix® bracket for T-Armrest	298
KLICKfix® bracket for Inrigged/Flip-Up/Following Armrest (Modulite)	299
Toolkit	300
T-Nuts for Accessories Modulite Seat	301

User Manuals Bora/Spectra XTR

languages.io

BG	Български	FR	Français	NL	Nederlands	SV	Svenska
CS	Čeština	HE	עברית	NO	Norsk	UK	Українська
DA	Dansk	HR	Hrvatski	PL	Polski		
DE	Deutsch	HU	Magyar	PT	Português		
EN	English	IT	Italiano	RU	Русский		
ES	Español	JA	日本語	RO	Română		
ET	Eesti	LV	Latviešu	SK	Slovenčina		
FI	Suomi	LT	Lietuvių	SL	Slovenščina		

Pos.	Part number	Description	Valid from → until	Qty
EN	SP1528224	User Manual Bora / Spectra XTR English		1
FR	SP1528225	User Manual Bora / Spectra XTR French		1
SV	SP1528226	User Manual Bora / Spectra XTR Swedish		1
PT	SP1528227	User Manual Bora / Spectra XTR Portuguese		1
IT	SP1528331	User Manual Bora / Spectra XTR Italian		1
FI	SP1529717	User Manual Bora / Spectra XTR Finnish		1
DA	SP1529719	User Manual Bora / Spectra XTR Dansk		1
NL	SP1529720	User Manual Bora / Spectra XTR Dutch		1
ES	SP1529947	User Manual Bora / Spectra XTR Spanish		1
CZ	SP1531142	User Manual Bora / Spectra XTR Czech		1
PL	SP1531143	User Manual Bora / Spectra XTR Polish		1
SL	SP1531144	User Manual Bora / Spectra XTR Slovenian		1
HR	SP1531145	User Manual Bora / Spectra XTR Croatian		1
LT	SP1531146	User Manual Bora / Spectra XTR Lithuanian		1
RU	SP1549079	User Manual Bora / Spectra XTR Russian		1
NO	SP1551034	User Manual Bora / Spectra XTR Norwegian		1
HU	SP1573154	User Manual Bora / Spectra XTR Hungarian		1

User Manuals REM550

languages.io

BG	Български	FR	Français	NL	Nederlands	SV	Svenska
CS	Čeština	HE	עברית	NO	Norsk	UK	Українська
DA	Dansk	HR	Hrvatski	PL	Polski		
DE	Deutsch	HU	Magyar	PT	Português		
EN	English	IT	Italiano	RU	Русский		
ES	Español	JA	日本語	RO	Română		
ET	Eesti	LV	Latviešu	SK	Slovenčina		
FI	Suomi	LT	Lietuvių	SL	Slovenščina		

Pos.	Part number	Description	Valid from → until	Qty
	DA 1528088	User Manual REM550 Danish		1
	DE 1528089	User Manual REM550 German		1
	EN 1528090	User Manual REM550 English		1
	ES 1528091	User Manual REM550 Spanish		1
	FI 1528092	User Manual REM550 Finsk		1
	FR 1528093	User Manual REM550 French		1
	IT 1528094	User Manual REM550 Italiano		1
	NL 1528095	User Manual REM550 Dutch		1
	NO 1528096	User Manual REM550 Norsk		1
	PT 1528097	User Manual REM550 Portuguese		1
	SV 1528098	User Manual REM550 Swedish		1
	HR SP1533279	User Manual REM550 Croatian		1
	CS SP1533280	User Manual REM551 Czech		1
	ET SP1533281	User Manual REM552 Estonian		1
	HU SP1533282	User Manual REM553 Hungarian		1
	LT SP1533283	User Manual REM554 Lithuanian		1
	PL SP1533284	User Manual REM555 Polish		1
	SL SP1533285	User Manual REM556 Slovenian		1

User Manuals REM24SD

languages.io

BG	Български	FR	Français	NL	Nederlands	SV	Svenska
CS	Čeština	HE	עברית	NO	Norsk	UK	Українська
DA	Dansk	HR	Hrvatski	PL	Polski		
DE	Deutsch	HU	Magyar	PT	Português		
EN	English	IT	Italiano	RU	Русский		
ES	Español	JA	日本語	RO	Română		
ET	Eesti	LV	Latviešu	SK	Slovenčina		
FI	Suomi	LT	Lietuvių	SL	Slovenščina		

Pos.	Part number	Description	Valid from → until	Qty
	DE 1436142	User Manual REM24SD German		1
	FR 1436143	User Manual REM24SD French		1
	EN 1436144	User Manual REM24SD English		1
	SV 1436145	User Manual REM24SD Swedish		1
	DA 1436146	User Manual REM24SD Danish		1
	NO 1436147	User Manual REM24SD Norwegian		1
	NL 1436148	User Manual REM24SD Dutch		1
	ES 1436149	User Manual REM24SD Spanish		1
	PT 1436150	User Manual REM24SD Portuguese		1
	IT 1436385	User Manual REM24SD Italian		1
	FI 1436386	User Manual REM24SD Finnish		1
	HR SP1533251	User Manual REM24SD Croatian		1
	CS SP1533252	User Manual REM24SD Czech		1
	ET SP1533253	User Manual REM24SD Estonian		1
	HU SP1533254	User Manual REM24SD Hungarian		1
	LT SP1533255	User Manual REM24SD Lithuanian		1
	PL SP1533256	User Manual REM24SD Polish		1
	SL SP1533257	User Manual REM24SD Slovenian		1
	LV SP1543152	User Manual REM24SD Latvian		1

User Manuals REM A & REM B

languages.io

BG	Български	FR	Français	NL	Nederlands	SV	Svenska
CS	Čeština	HE	עברית	NO	Norsk	UK	Українська
DA	Dansk	HR	Hrvatski	PL	Polski		
DE	Deutsch	HU	Magyar	PT	Português		
EN	English	IT	Italiano	RU	Русский		
ES	Español	JA	日本語	RO	Română		
ET	Eesti	LV	Latviešu	SK	Slovenčina		
FI	Suomi	LT	Lietuvių	SL	Slovenščina		

Pos.	Part number	Description	Valid from → until	Qty
	DA 1529171	User Manual REM A & B Dansk		1
	DE 1529172	User Manual REM A & B German		1
	EN 1529173	User Manual REM A & B English		1
	ES 1529174	User Manual REM A & B Spanish		1
	FI 1529228	User Manual REM A & B Finsk		1
	FR 1529229	User Manual REM A & B French		1
	IT 1529230	User Manual REM A & B Italian		1
	NL 1529231	User Manual REM A & B Dutch		1
	NO 1529232	User Manual REM A & B Norsk		1
	PT 1529233	User Manual REM A & B Portuguese		1
	SV 1529234	User Manual REM A & B Swedish		1
	HR SP1533258	User Manual REM A & B Croatian		1
	CS SP1533259	User Manual REM A & B Czech		1
	ET SP1533265	User Manual REM A & B Estonian		1
	HU SP1533266	User Manual REM A & B Hungarian		1
	LT SP1533267	User Manual REM A & B Lithuanian		1
	PL SP1533268	User Manual REM A & B Polish		1
	SL SP1533269	User Manual REM A & B Slovenian		1
	RO SP1533270	User Manual REM A & B Romanian		1

User Manuals Shark2

languages.io

BG	Български	FR	Français	NL	Nederlands	SV	Svenska
CS	Čeština	HE	עברית	NO	Norsk	UK	Українська
DA	Dansk	HR	Hrvatski	PL	Polski		
DE	Deutsch	HU	Magyar	PT	Português		
EN	English	IT	Italiano	RU	Русский		
ES	Español	JA	日本語	RO	Română		
ET	Eesti	LV	Latviešu	SK	Slovenčina		
FI	Suomi	LT	Lietuvių	SL	Slovenščina		

Pos.	Part number	Description	Valid from → until	Qty
	DE 1451346	User Manual Shark II German		1
	FR 1451347	User Manual Shark II French		1
	SV 1451348	User Manual Shark II Swedish		1
	DA 1451349	User Manual Shark II Danish		1
	NO 1451350	User Manual Shark II Norwegian		1
	NL 1451351	User Manual Shark II Dutch		1
	ES 1451352	User Manual Shark II Spanish		1
	PT 1451353	User Manual Shark II Portuguese		1
	IT 1451354	User Manual Shark II Italian		1
	FI 1451355	User Manual Shark II Finnish		1
	EN 1451356	User Manual Shark II English		1
	SL 1451584	User Manual Shark II Slovenian		1
	CS SP1533297	User Manual Shark2 CS		1
	ET SP1533298	User Manual Shark2 EE		1
	HU SP1533299	User Manual Shark2 HU		1
	LT SP1533300	User Manual Shark2 LT		1
	PL SP1533301	User Manual Shark2 PL		1
	BG SP1546061	User Manual Shark II Bulgarian		1
	RU SP1570186	User Manual Shark II Russian		1
	HR SP1574028	User Manual Shark II Croatian		1
	LV SP1576075	User Manual Shark II Latvian		1

User Manuals IDC Dual Control

languages.io

BG	Български	FR	Français	NL	Nederlands	SV	Svenska
CS	Čeština	HE	עברית	NO	Norsk	UK	Українська
DA	Dansk	HR	Hrvatski	PL	Polski		
DE	Deutsch	HU	Magyar	PT	Português		
EN	English	IT	Italiano	RU	Русский		
ES	Español	JA	日本語	RO	Română		
ET	Eesti	LV	Latviešu	SK	Slovenčina		
FI	Suomi	LT	Lietuvių	SL	Slovenščina		

Pos.	Part number	Description	Valid from → until	Qty
	DE 1521480	User Manual Dual-Control German		1
	EN 1521481	User Manual Dual-Control English		1
	FR 1521482	User Manual Dual-Control French		1
	NL 1521483	User Manual Dual-Control Dutch		1
	NO 1521484	User Manual Dual-Control Norwegian		1
	SV 1521485	User Manual Dual-Control Swedish		1
	DA 1521486	User Manual Dual-Control Danish		1
	IT 1522252	User Manual Dual-Control Italian		1
	PT 1522254	User Manual Dual-Control Portuguese		1
	ES 1522255	User Manual Dual-Control Spanish		1

User Manuals REM34 & REM41 Tray/Centre Control

languages.io

BG	Български	FR	Français	NL	Nederlands	SV	Svenska
CS	Čeština	HE	עברית	NO	Norsk	UK	Українська
DA	Dansk	HR	Hrvatski	PL	Polski		
DE	Deutsch	HU	Magyar	PT	Português		
EN	English	IT	Italiano	RU	Русский		
ES	Español	JA	日本語	RO	Română		
ET	Eesti	LV	Latviešu	SK	Slovenčina		
FI	Suomi	LT	Lietuvių	SL	Slovenščina		

Pos.	Part number	Description	Valid from → until	Qty
DA	SP1538022	User Manual REM41 Tray Control Danish		1
EN	SP1538023	User Manual REM41 Tray Control English		1
ES	SP1538024	User Manual REM41 Tray Control Spanish		1
FR	SP1538025	User Manual REM41 Tray Control French		1
IT	SP1538026	User Manual REM41 Tray Control Italian		1
NL	SP1538027	User Manual REM41 Tray Control Dutch		1
NO	SP1538028	User Manual REM41 Tray Control Norwegian		1
PT	SP1538029	User Manual REM41 Tray Control Portuguese		1
SV	SP1538030	User Manual REM41 Tray Control Swedish		1
CS	SP1538031	User Manual REM41 Tray Control Czech		1
SL	SP1538032	User Manual REM41 Tray Control Slovenian		1
DE	SP1541402	User Manual REM41 Tray Control German		1

User Manual Proximity Head Remote DSL-105

languages.io

BG	Български	FR	Français	NL	Nederlands	SV	Svenska
CS	Čeština	HE	עברית	NO	Norsk	UK	Українська
DA	Dansk	HR	Hrvatski	PL	Polski		
DE	Deutsch	HU	Magyar	PT	Português		
EN	English	IT	Italiano	RU	Русский		
ES	Español	JA	日本語	RO	Română		
ET	Eesti	LV	Latviešu	SK	Slovenčina		
FI	Suomi	LT	Lietuvių	SL	Slovenščina		

Pos.	Part number	Description	Valid from → until	Qty
EN	SP1555731	User Manual Proximity Head Remote DSL-105 English		1
DE	SP1555732	User Manual Proximity Head Remote DSL-105 German		1
FR	SP1555733	User Manual Proximity Head Remote DSL-105 French		1
DA	SP1555839	User Manual Proximity Head Remote DSL-105 Danish		1
ES	SP1555840	User Manual Proximity Head Remote DSL-105 Spanish		1
FI	SP1555841	User Manual Proximity Head Remote DSL-105 Finnish		1
IT	SP1555842	User Manual Proximity Head Remote DSL-105 Italian		1
NL	SP1555843	User Manual Proximity Head Remote DSL-105 Dutch		1
NO	SP1555844	User Manual Proximity Head Remote DSL-105 Norwegian		1
PT	SP1555845	User Manual Proximity Head Remote DSL-105 Portuguese		1
SV	SP1555846	User Manual Proximity Head Remote DSL-105 Swedish		1

User Manuals ACS Handprogrammer

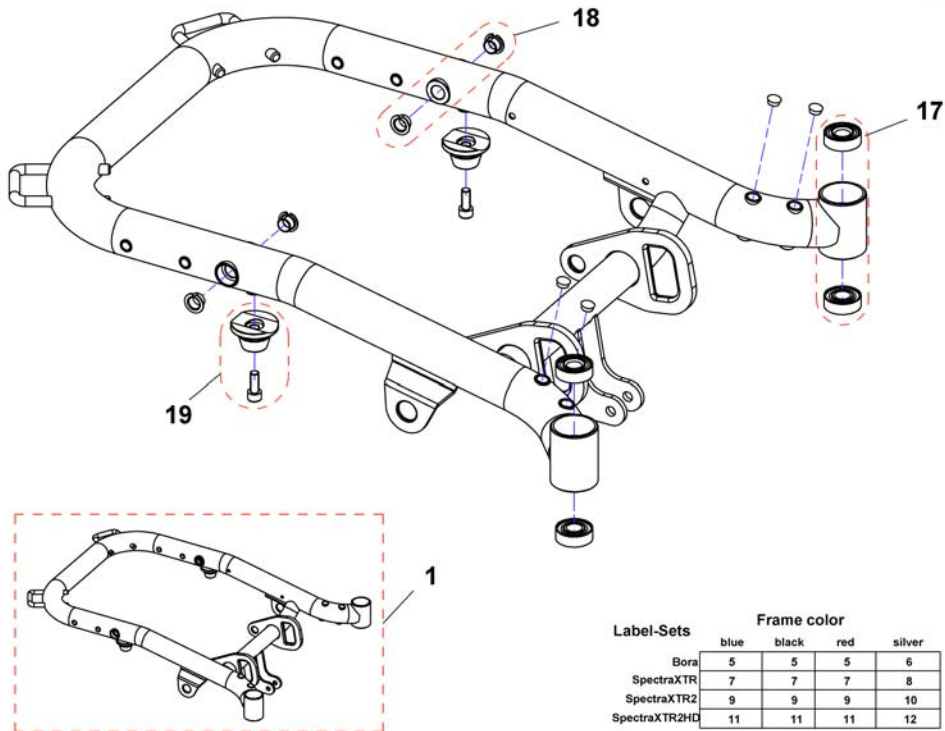
languages.io

BG	Български	FR	Français	NL	Nederlands	SV	Svenska
CS	Čeština	HE	עברית	NO	Norsk	UK	Українська
DA	Dansk	HR	Hrvatski	PL	Polski		
DE	Deutsch	HU	Magyar	PT	Português		
EN	English	IT	Italiano	RU	Русский		
ES	Español	JA	日本語	RO	Română		
ET	Eesti	LV	Latviešu	SK	Slovenčina		
FI	Suomi	LT	Lietuvių	SL	Slovenščina		

Pos.	Part number	Description	Valid from → until	Qty
DE	1419316	User Manual Handheld Programmer German		1
EN	1419317	User Manual Handheld Programmer English		1

Frame

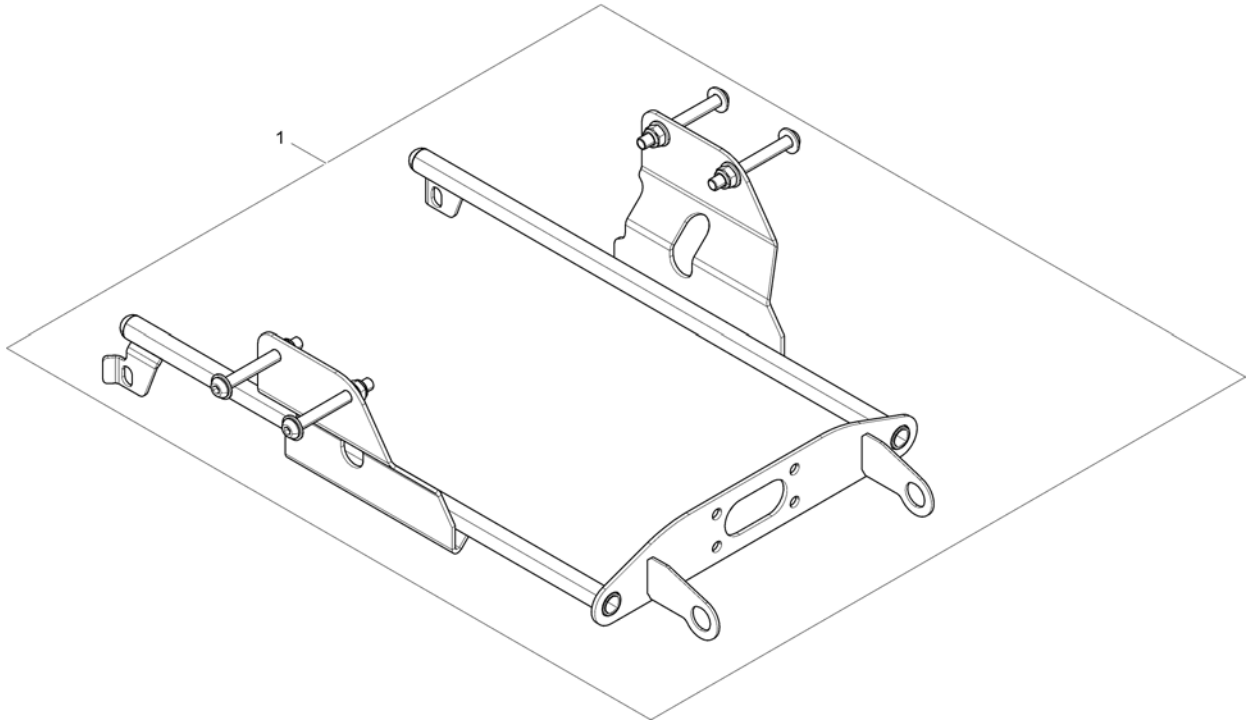
1526532PAC.dwg



Pos.	Part number	Description	Valid from → until	Qty
-	SP1552601	Touch-up paint, Transparent Blue		1
-	SP1553899	Touch-up paint, black		1
-	SP1552622	Touch-up paint, Electric Red		1
-	SP1552602	Touch-up paint, Silver Metallic		1
1	SP1526531	Frame cpl., Transparent Blue		1
1	SP1526532	Frame cpl., Black		1
1	SP1526553	Frame cpl., Electric Red		1
1	SP1526554	Frame cpl., Silver Metallic		1
5	SP1528326	Labelset Bora, white		1
6	SP1529003	Labelset Bora, black		1
7	SP1528325	Labelset Spectra XTR, white		1
8	SP1529002	Labelset Spectra XTR, black		1
9	SP1550357	Labelset Spectra XTR2, white		1
10	SP1550356	Labelset Spectra XTR2, black		1
11	SP1552765	Labelset Spectra XTR2 HD, white		1
12	SP1552710	Labelset Spectra XTR2 HD, black		1
17	SP1528342	Ball Bearing-Kit		1
18	SP1528343	Bearing-Kit		1
19	SP1528344	Spring Retainer		1

Battery Carrier

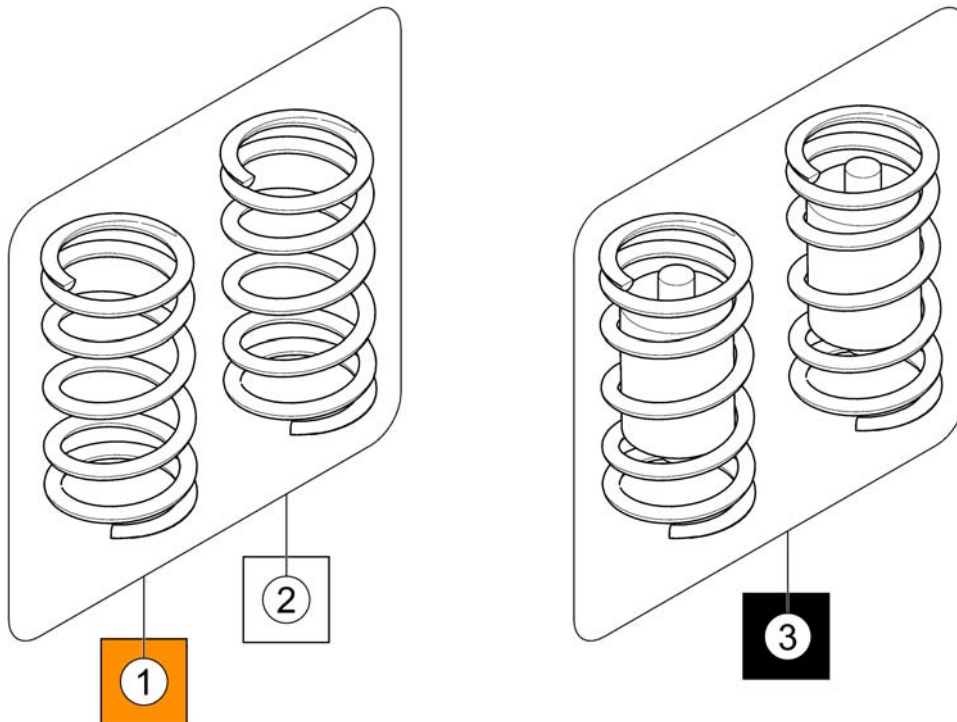
1526555PAC.iso



Pos.	Part number	Description	Valid from → until	Qty
1	SP1526555	Battery Carrier		1

Suspension

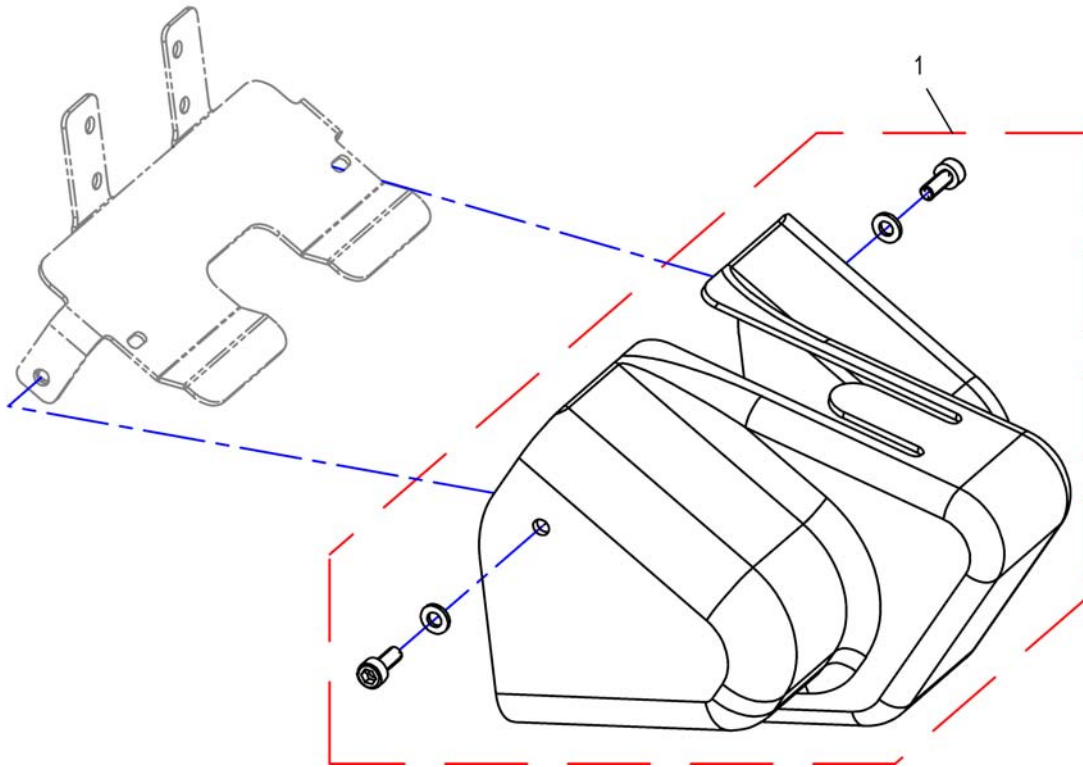
1527171X.00



Pos.	Part number	Description	Valid from → until	Qty
1	SP1527171	Suspension (pair), normal, orange		1
2	SP1531237	Suspension (pair), hard, white		1
3	SP1573165	Suspension (pair), xtra hard, black		1

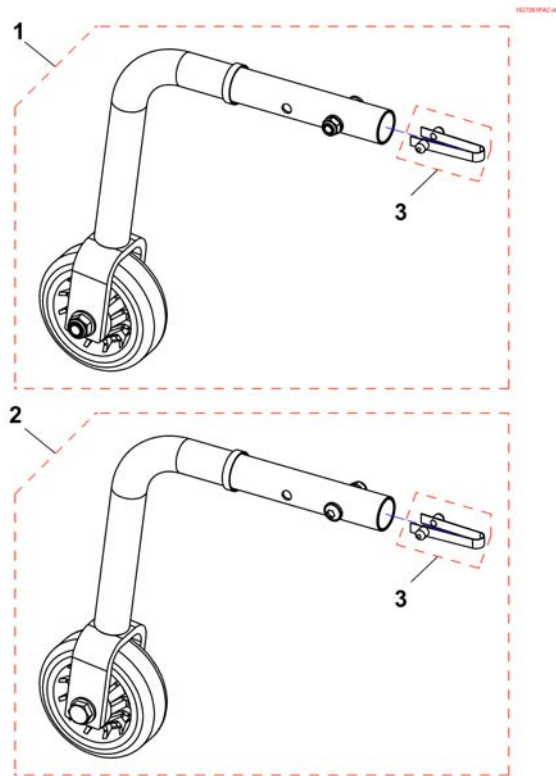
Cover Lifter

1530596X.dwg



Pos.	Part number	Description	Valid from → until	Qty
1	SP1530596	Cover Lifter		1

Anti-Tipper



Pos.	Part number	Description	Valid from → until	Qty
1	SP1533693	Anti-Tipp-Wheel LH kmpl.		1
2	SP1533692	Anti-Tipp-Wheel RH kmpl.		1
3	500023	Spring Clip		1

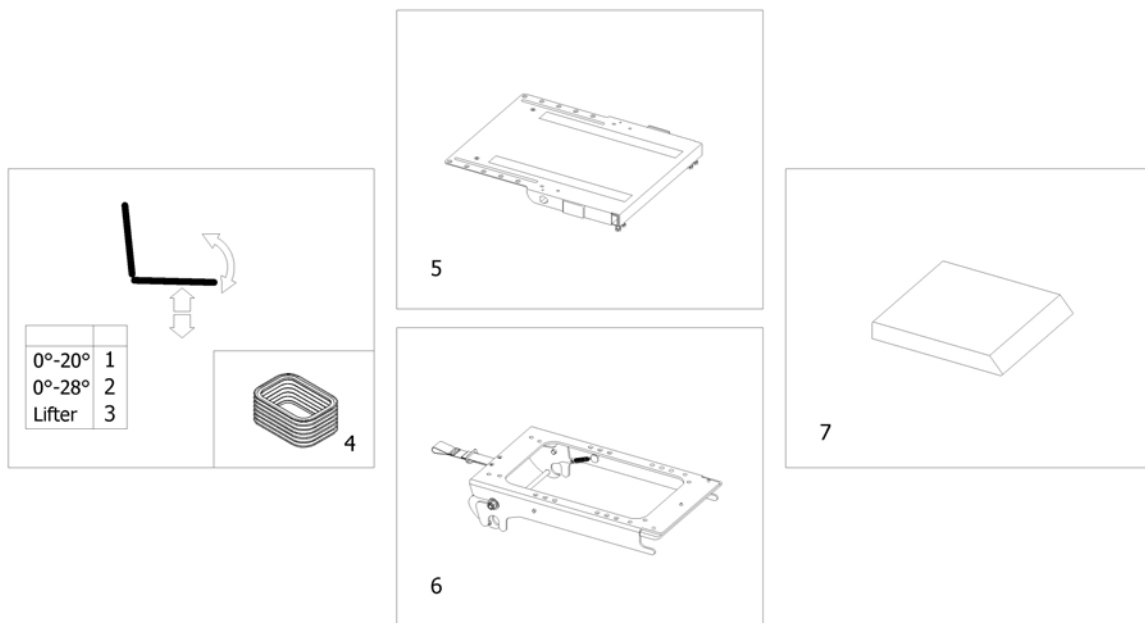
SFCB0RA25 990



Pos.	Part number	Description	Valid from → until	Qty
1	-	Standard Seat		1
2	-	Flex2 Seat		1
3	-	Firm Seat		1
4	-	Max Seat		1
5	-	Modulite Seat		1
6	-	Leckey Seat (only UK)		1

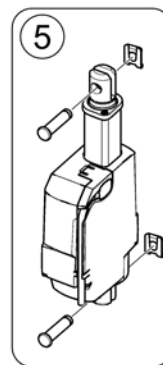
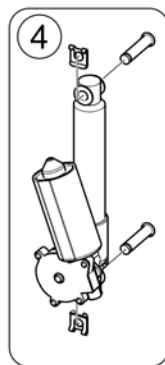
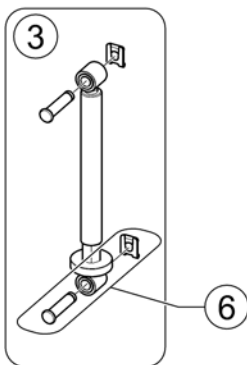
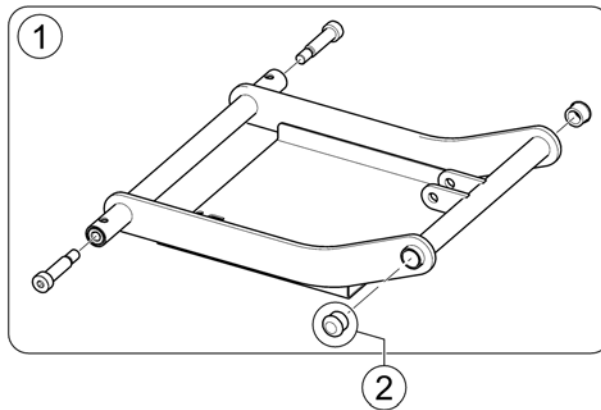
Standard Seat

1571699.iss



Pos.	Part number	Description	Valid from → until	Qty
1	-	Tilt 20° [1002/1014]		1
2	-	Tilt 28° [1043]		1
3	-	Lifter [1021]		1
4	-	Bellows [1311]		1
5	-	Seat Frame with Plate		1
6	-	Seat Frame Support		1
7	-	Seat Cushion [1336/1901]		1

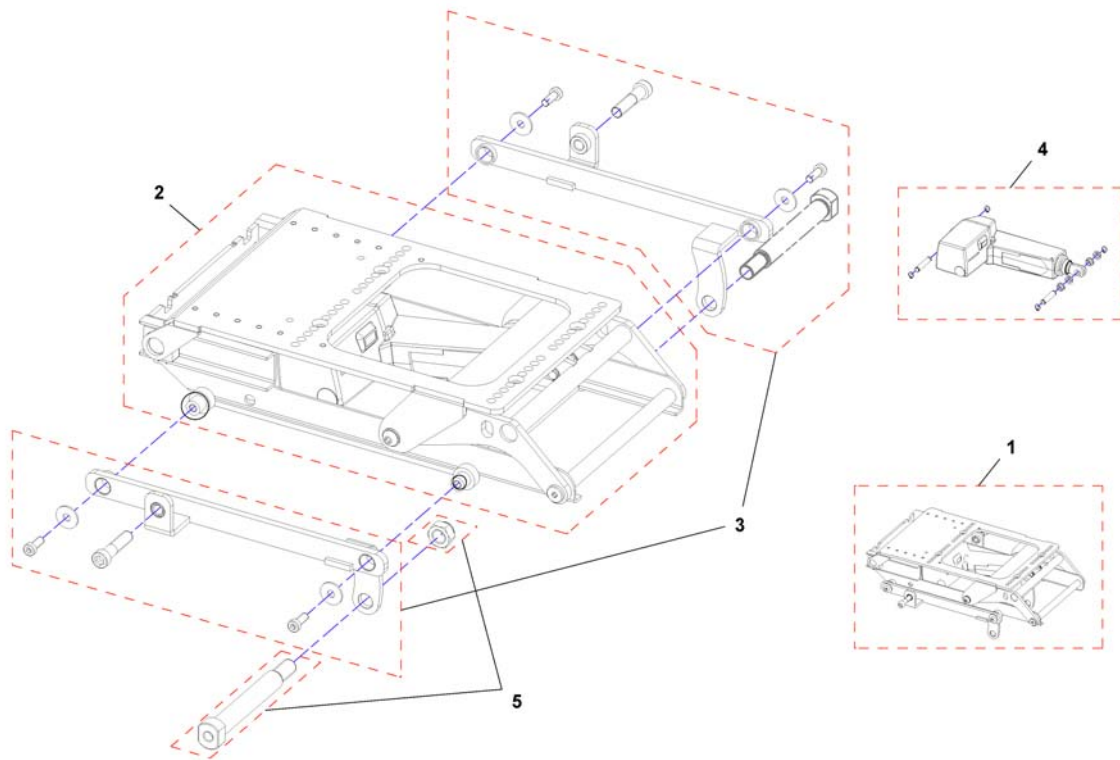
152657SPAC-iso



Pos.	Part number	Description	Valid from → until	Qty
1	SP1526574	Seatframeadapter		1
2	L01008	Tube End Plug SI 22		1
3	SP1526576	Manual Adjustment, cpl.		1
4	SP1526575	Tilt actuator ACS, cpl.	→ 2012-09-30	1
5	SP1560749	Tilt actuator ACS, cpl.	2012-10-01 →	1
4	SP1528265	Tilt actuator Shark, cpl.	→ 2012-09-30	1
5	SP1560774	Tilt actuator Shark, cpl.	2012-10-01 →	1
4	SP1527175	Tilt actuator VR2 / R-Net, cpl.	→ 2012-09-30	1
5	SP1560775	Tilt actuator VR2 / R-Net, cpl.	2012-10-01 →	1
6	SP1528345	Mounting-Kit for actuators		1

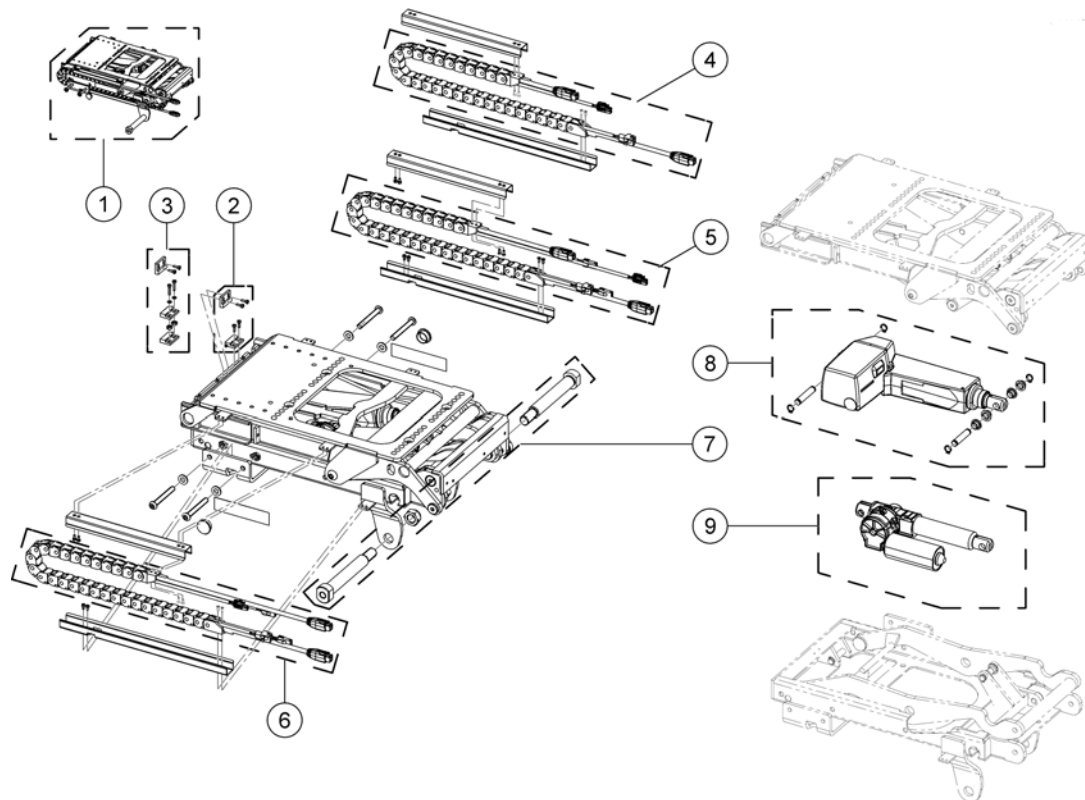
Tilt 28°

1545645x.dwg



Pos.	Part number	Description	Valid from → until	Qty
1	SP1545645	Seat tilt cpl.		1
2	SP1533063	Tilt unit 0-28°		1
3	SP1550693	Mounting brackets, cpl.		1
4	SP1544888	Actuator		1
5	SP1529400	Bearing bolt kit <i>for Bora only</i>		1

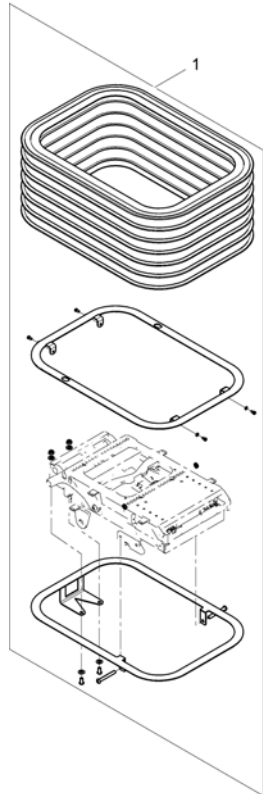
Lifter



Pos.	Part number	Description	Valid from → until	Qty
-	SP1533562	Actuator cable ACS2 (~1570mm)		1
-	SP1561401	Actuator cable R-NET (~1100mm)		1
-	SP1571139	Tilt actuator cable ACS2 (~920mm)		1
-	SP1571185	Tilt actuator cable R-Net (~920mm)		1
1	SP1531240	Lifter, ACS2		1
1	SP1533981	Lifter, R-Net		1
2	SP1537899	Speed reduction sensor, R-Net		1
3	SP1537902	Speed reduction sensor, ACS2		1
4	SP1537396	Energy chain for powered backrest and/or powered legrests, R-Net		1
5	SP1534079	Energy chain for lifter, ACS2		1
6	SP1537475	Energy chain for lifter, R-Net		1
7	SP1529400	Bearing bolt kit		1
8	SP1537887	Lifter actuator, R-Net		1
8	SP1533558	Lifter actuator, ACS2		1
9	SP1537888	Tilt actuator, R-Net		1
9	SP1533557	Tilt actuator, ACS2		1

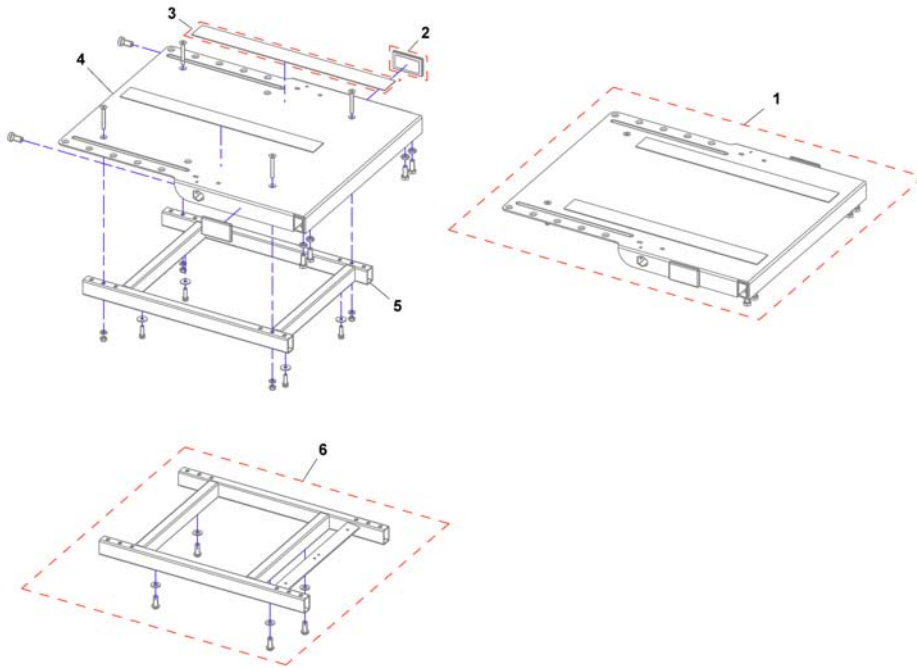
Bellows

1544177X.iso



Pos.	Part number	Description	Valid from → until	Qty
1	SP1544177	Bellow, cpl.		1

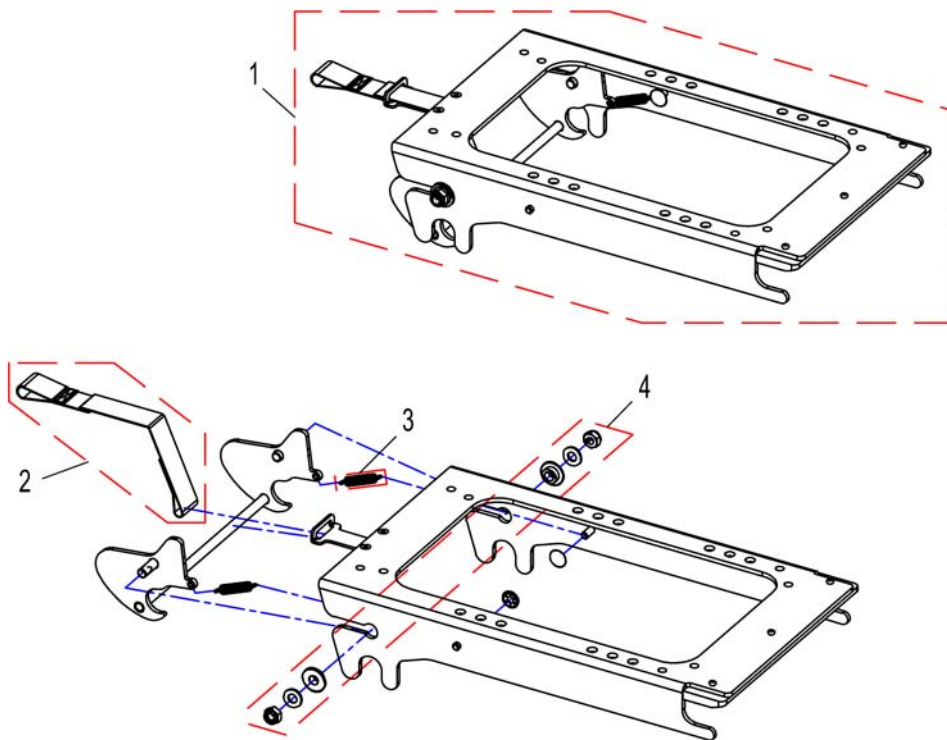
1571918.dwg



Pos.	Part number	Description	Valid from → until	Qty
1	SP1526884	Seat plate assembly <i>without Lifter</i>		1
1	SP1531709	Seat plate assembly for Lifter <i>for Lifter</i>		1
2	P31298	Reflector, yellow		1
3	SPU21087	Velcro		1
4	1419999-9005	Seat Plate		1
5	SP1523467	Seat frame <i>without lifter</i>		1
6	SP1532637	Seat frame for Lifter <i>with Lifter</i>		1

Seat Frame Support

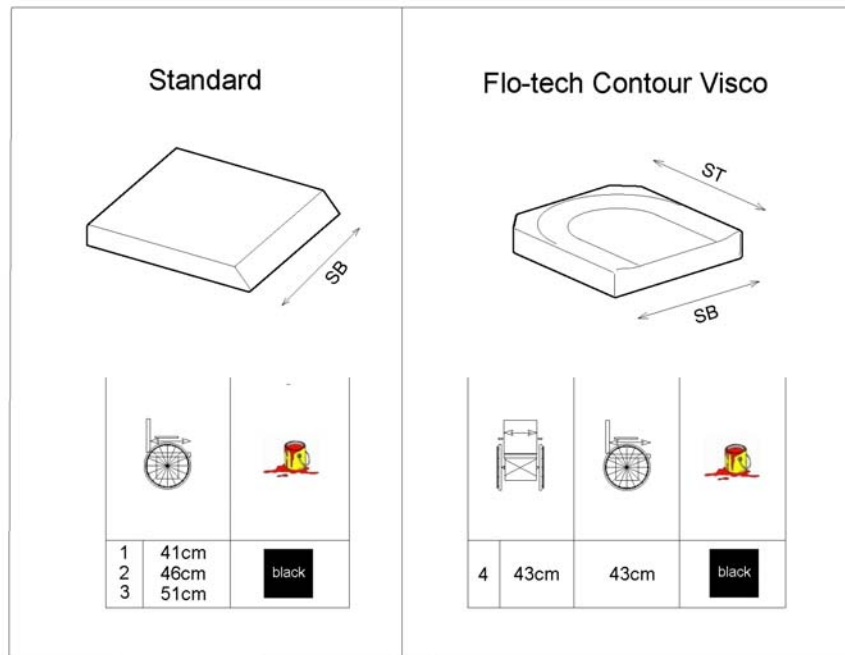
1524451PAC.dwg



Pos.	Part number	Description	Valid from → until	Qty
1	SP1524451	Seat Frame Support cpl.		1
1	SP1541790	Seatframe support Leckey child seat (UK only)		1
2	SP1524455	Strip		1
3	SP1528340	Pull-Spring		1
4	SP1528341	Bearing-Kit		1

Seat Cushion

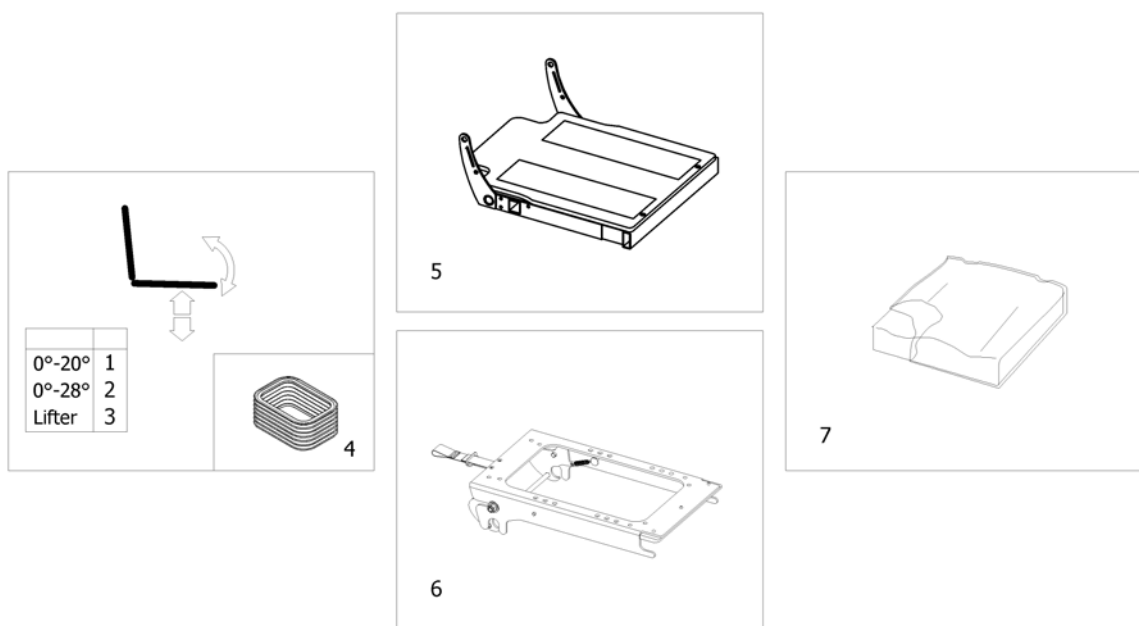
1571799.00



Pos.	Part number	Description	Valid from → until	Qty
1	1420460	Seat Cushion Standard SD 410mm <i>[1336+0326]</i>		1
2	1420461	Seat Cushion Standard SD 460mm <i>[1336+0327]</i>		1
3	1420462	Seat Cushion Standard SD 510mm <i>[1336+0330]</i>		1
4	1501113	Seat Cushion Flo-tech Contour Visco SW 43cm x SD 43cm <i>[1901]</i>		1

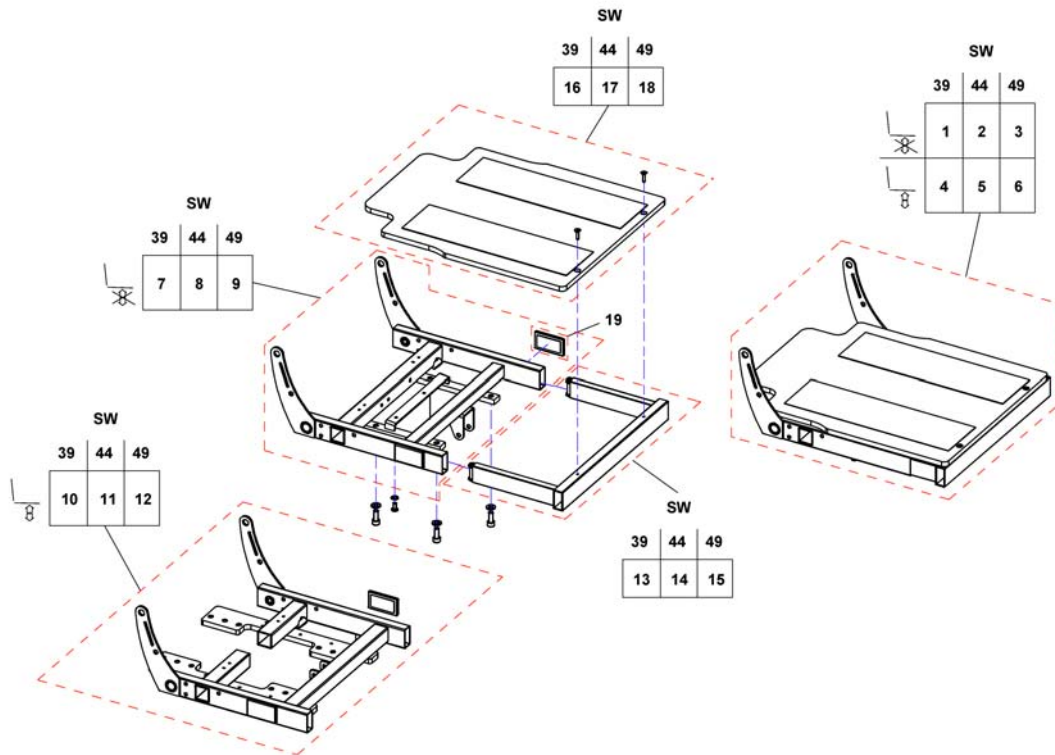
Flex2 Seat

1571699.iss



Pos.	Part number	Description	Valid from → until	Qty
1	-	Tilt 20° [1002/1014]		1
2	-	Tilt 28° [1043]		1
3	-	Lifter [1021]		1
4	-	Bellows [1311]		1
5	-	Seat Frame with Plates		1
6	-	Seat Frame Support		1
7	-	Seat cushion		1

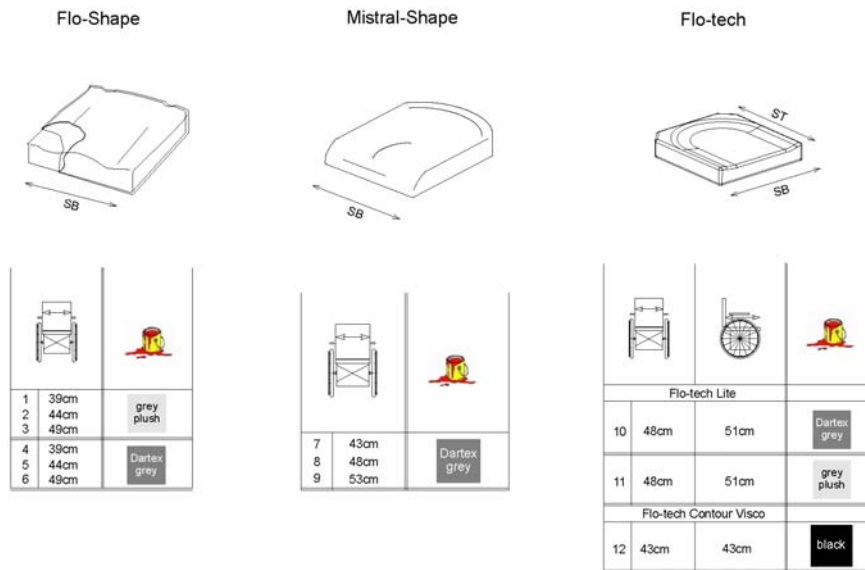
Seat Frame with Plates



Pos.	Part number	Description	Valid from → until	Qty
1	SP1526886	Flex 2 Seat frame for SW 39		1
2	SP1526887	Flex 2 Seat frame for SW 44		1
3	SP1526888	Flex 2 Seat frame for SW 49		1
4	SP1531262	Flex2 Seat frame for SW 39		1
5	SP1531263	Flex2 Seat frame for SW 44		1
6	SP1531264	Flex2 Seat frame for SW 49		1
7	SP1528422	Seat frame SW 39		1
8	SP1528423	Seat frame SW 44		1
9	SP1528424	Seat frame SW 49		1
10	SP1536658	Seat frame SW 39		1
11	SP1536659	Seat frame SW 44		1
12	SP1536660	Seat frame SW 49		1
13	SP1528416	Legrest attachment SW 39		1
14	SP1528417	Legrest attachment SW 44		1
15	SP1528418	Legrest attachment SW 49		1
16	SP1528419	Seat plate SW 39		1
17	SP1528420	Seat plate SW 44		1
18	SP1528421	Seat plate SW 49		1
19	P31298	Reflector, yellow		1

Seat cushion

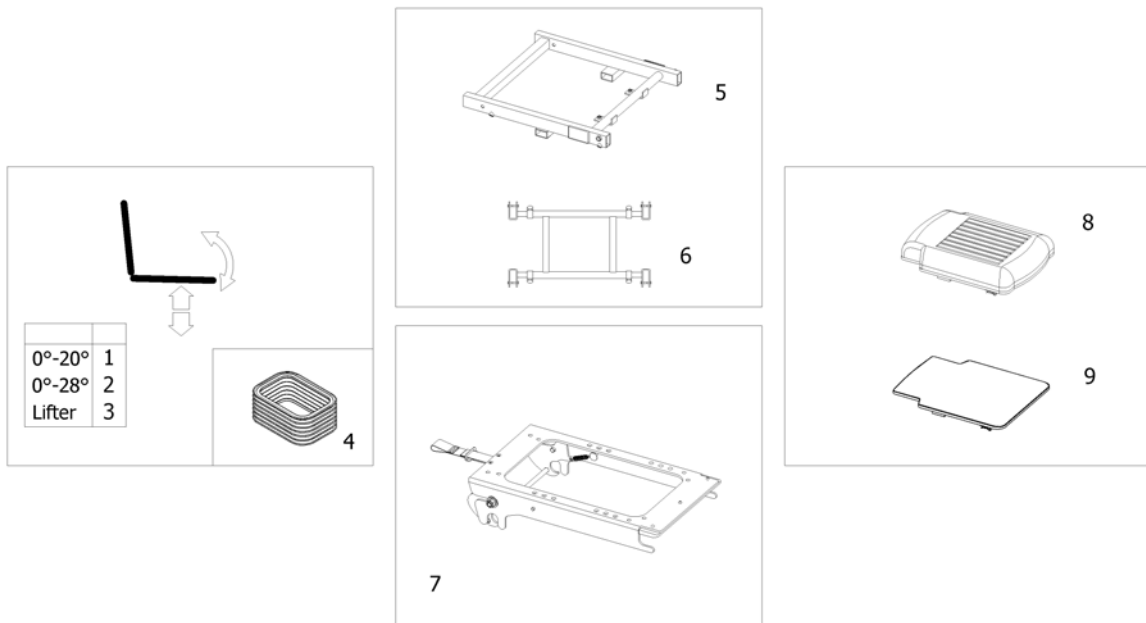
1511708 (en)



Pos.	Part number	Description	Valid from → until	Qty
1	1508054	Flo-Shape cushion SW 355 x SD 535 Grey plush [1464+0289]		1
2	1508056	Flo-Shape cushion SW 405 x SD 535 Grey plush [1465+0289]		1
3	1508058	Flo-Shape cushion SW 455 x SD 535 Grey plush [1466+0289]		1
4	1508053	Flo-Shape cushion SW 355 x SD 535 Dartex [1464+0278]		1
5	1508055	Flo-Shape cushion SW 405 x SD 535 Dartex [1465+0278]		1
6	1508057	Flo-Shape cushion SW 455 x SD 535 Dartex [1466+0278]		1
7	1435856	Mistral shape cushion SW 365 x SD 490 Dartex [1470]		1
8	1435857	Mistral shape Cushion SW415 x SD490mm - Dartex [1321]		1
9	1435858	Mistral shape cushion SW 465 x SD 490 Dartex [1471]		1
10	SP1525259-0232	Easy-Adapt cushion (Flo-tech Lite) SW 48 x SD 51cm Dartex [1978+0278]		1
11	SP1525259-0237	Easy-Adapt cushion (Flo-tech Lite) SW 48 x SD 51cm Grey Plush [1978+0289]		1
12	1501113	Seat Cushion Flo-tech Contour Visco SW 43cm x SD 43cm [1901]		1

Firm Seat

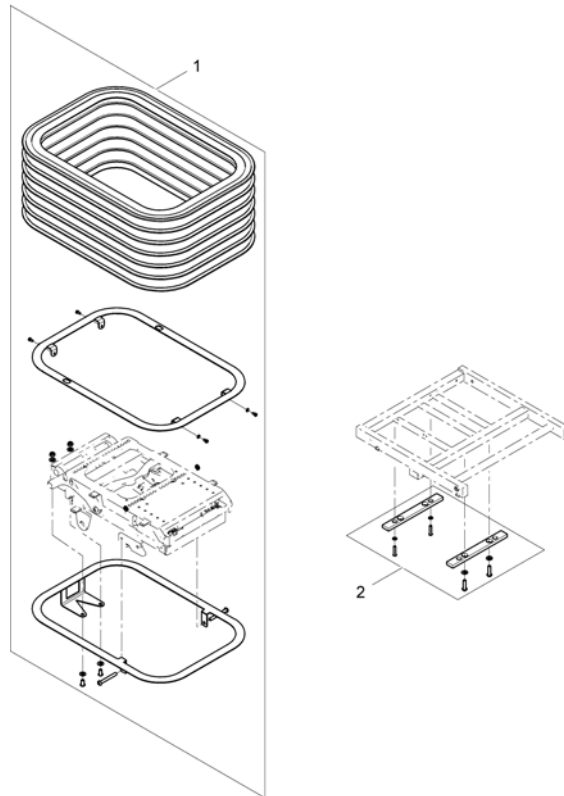
1571921.iss



Pos.	Part number	Description	Valid from → until	Qty
1	-	Tilt 20° [1002/1014]		1
2	-	Tilt 28° [1043]		1
3	-	Lifter [1021]		1
4	-	Bellows [1311]		1
5	-	Seat Frame		1
6	-	RUIK-Seat Frame		1
7	-	Seat Frame Support		1
8	-	Seat Cushion		1
9	-	Seat Board		1

Bellows

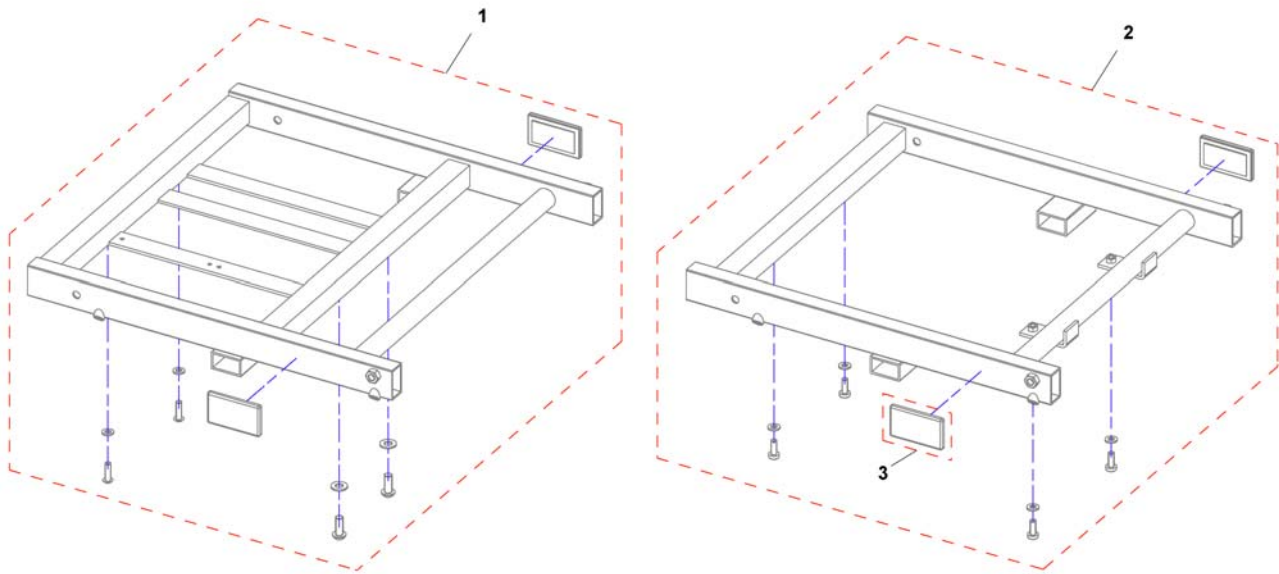
1572701.iso



Pos.	Part number	Description	Valid from → until	Qty
1	SP1544177	Bellow, cpl.		1
2	SP1544176	Distance plates for bellows		1

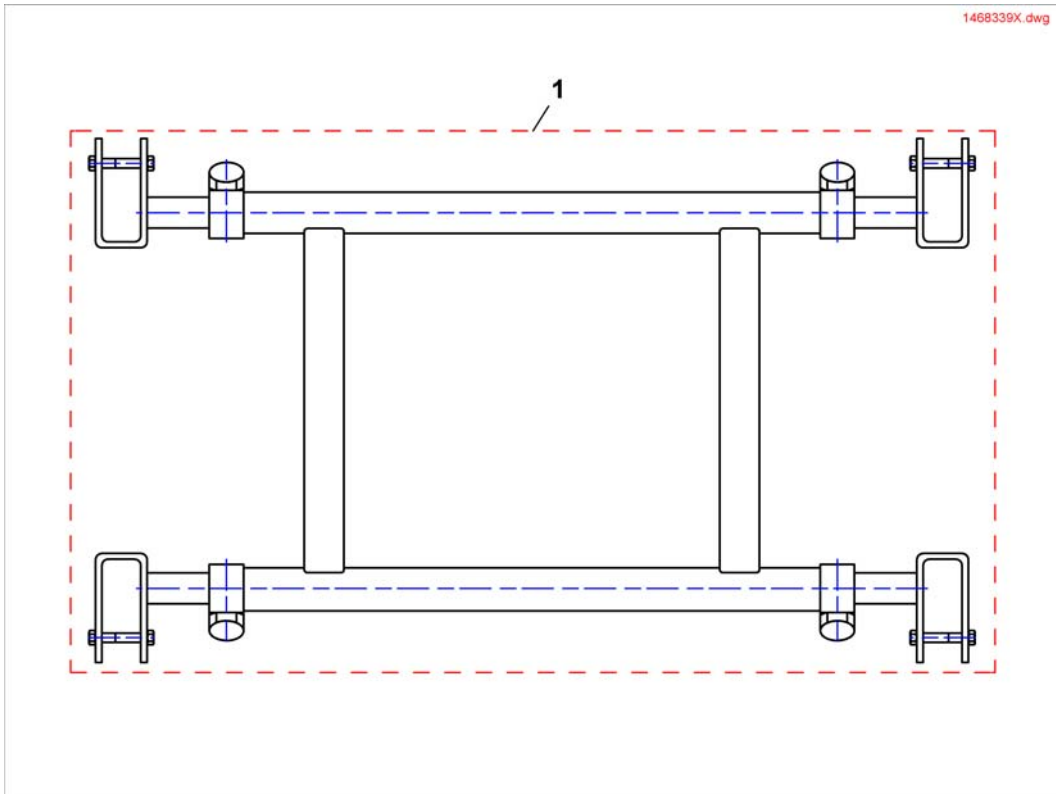
Seat Frame

1527078PAC.dwg



Pos.	Part number	Description	Valid from → until	Qty
1	SP1531247	Seat frame SW 33 with Lifter		1
1	SP1531260	Seat frame SW 38 with Lifter		1
1	SP1531261	Seat frame SW 43 with Lifter		1
2	SP1527077	Seat frame SW 33 without Lifter		1
2	SP1527078	Seat frame SW 38 without Lifter		1
2	SP1527087	Seat frame SW 43 without Lifter		1
3	P31298	Reflector, yellow		1

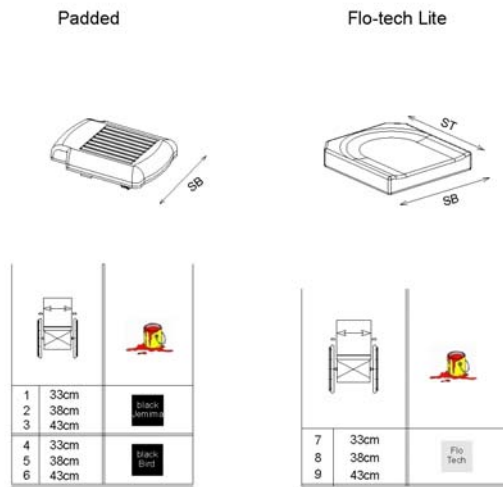
RUIK-Seat Frame



Pos.	Part number	Description	Valid from → until	Qty
1	1468339	RUIK-Seat Frame		1

Seat Cushion

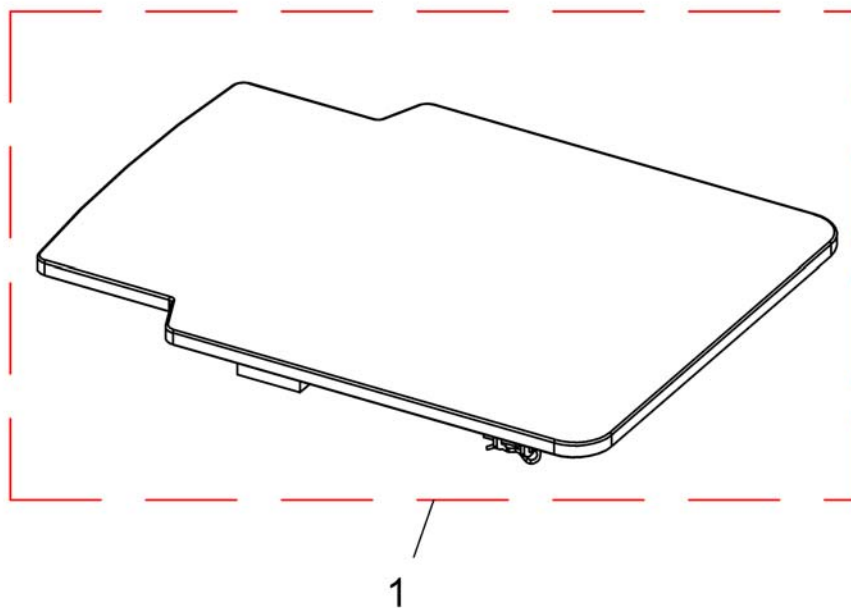
1511706/00



Pos.	Part number	Description	Valid from → until	Qty
1	SP1497477	Padded Seat SW 33, Black Jemima [1411+0373+0286]		1
2	SP1497478	Padded Seat SW 38, Black Jemima [1411+0371+0286]		1
3	SP1497479	Padded Seat SW 43, Black Jemima [1411+0347+0286]		1
4	SP1497480	Padded Seat SW 33, Black Bird [1411+0373+0274]		1
5	SP1497481	Padded Seat SW 38, Black Bird [1411+0371+0274]		1
6	SP1497482	Padded Seat SW 43, Black Bird [1411+0347+0274]		1
7	SP1497500	Seat cushion Flo Tech Lite SW 33cm [1467]		1
8	SP1497501	Seat cushion Flo Tech Lite SW 38cm [1468]		1
9	SP1497539	Seat cushion Flo Tech Lite SW 43cm [1469]		1

Seat Board

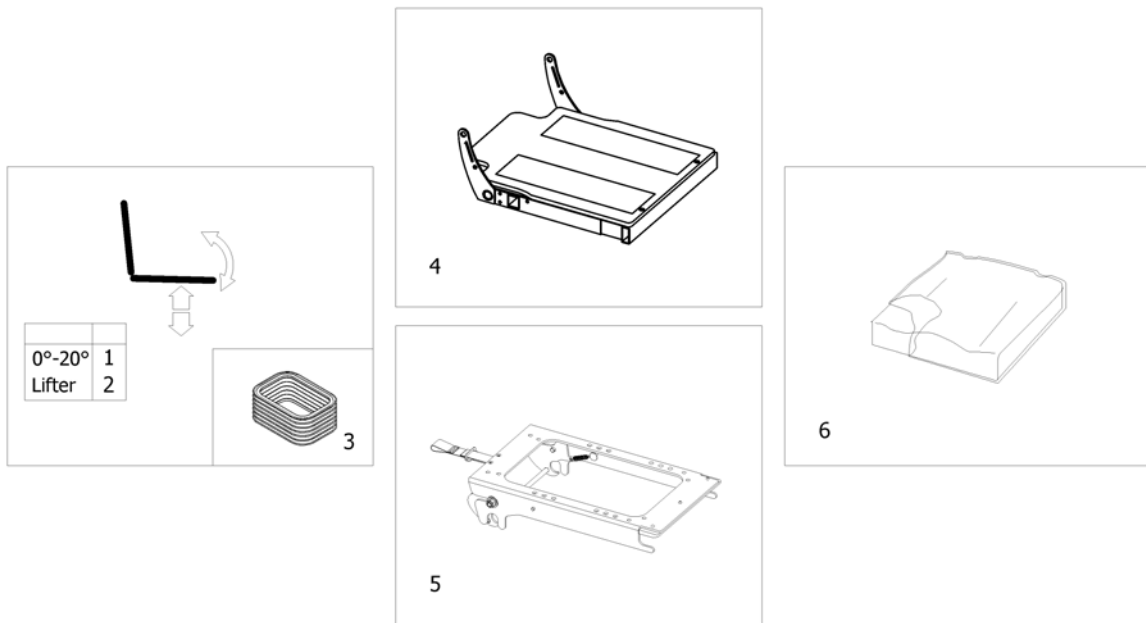
1422524PAC.dwg



Pos.	Part number	Description	Valid from → until	Qty
1	SP1497474	Seat Board SW 33, Black Bird		1
1	SP1497475	Seat Board SW 38, Black Bird		1
1	SP1497476	Seat Board SW 43, Black Bird		1
1	SP1543027	Seat Board SW 33, Black Jemima		1
1	SP1543028	Seat Board SW38, Black Jemima		1
1	SP1543029	Seat Board SW 43, Black Jemima		1

Max Seat

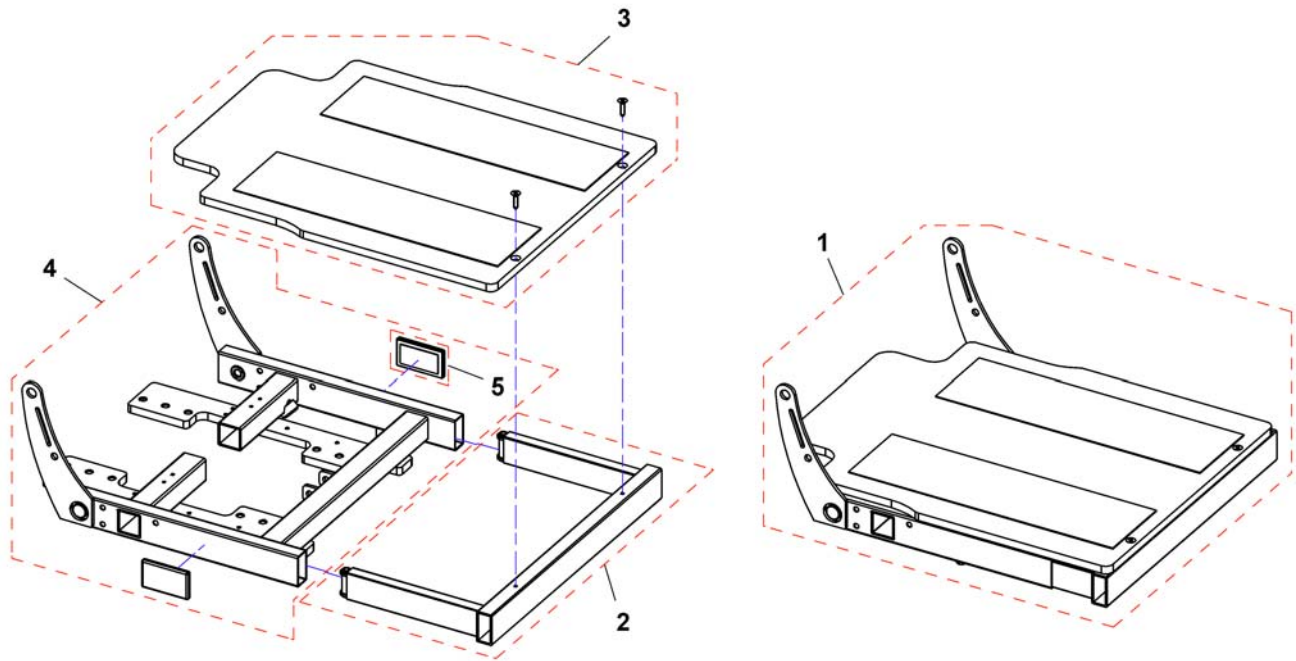
1571920.iss



Pos.	Part number	Description	Valid from → until	Qty
1	-	Tilt 20° [1002/1014]		1
2	-	Lifter [1021]		1
3	-	Bellows [1311]		1
4	-	Seat Frame with Plates		1
5	-	Seat Frame Support		1
6	-	Seat Cushion Max		1

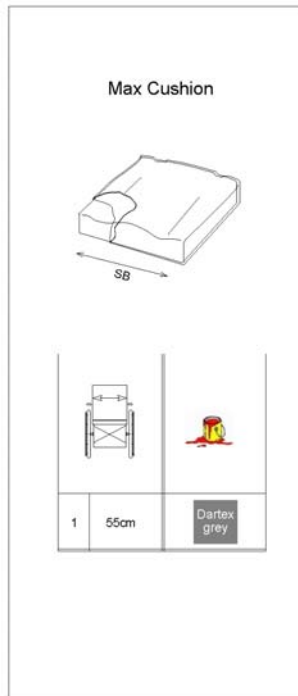
Seat Frame with Plates

15312626.dwg



Pos.	Part number	Description	Valid from → until	Qty
1	SP1551683	Seat frame for 5		1
2	SP1523723	Legrest attachment SW 55		1
3	SP1525083	Seat plate SW 550mm		1
4	SP1544672	Seat frame SW 55		1
5	P31298	Reflector, yellow		1

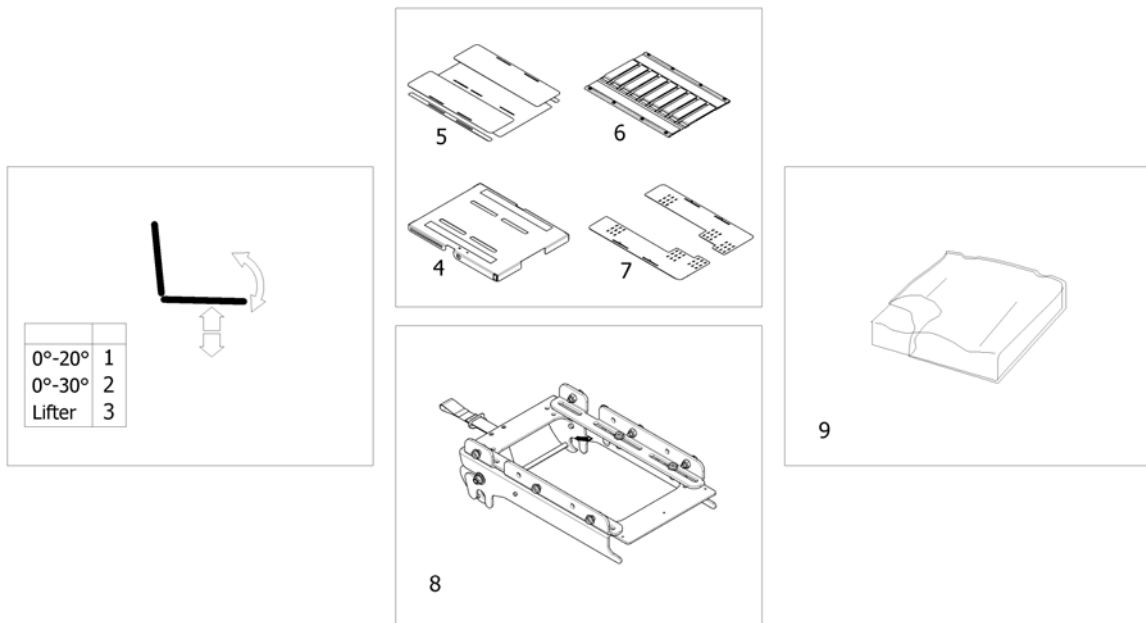
1511723 (en)



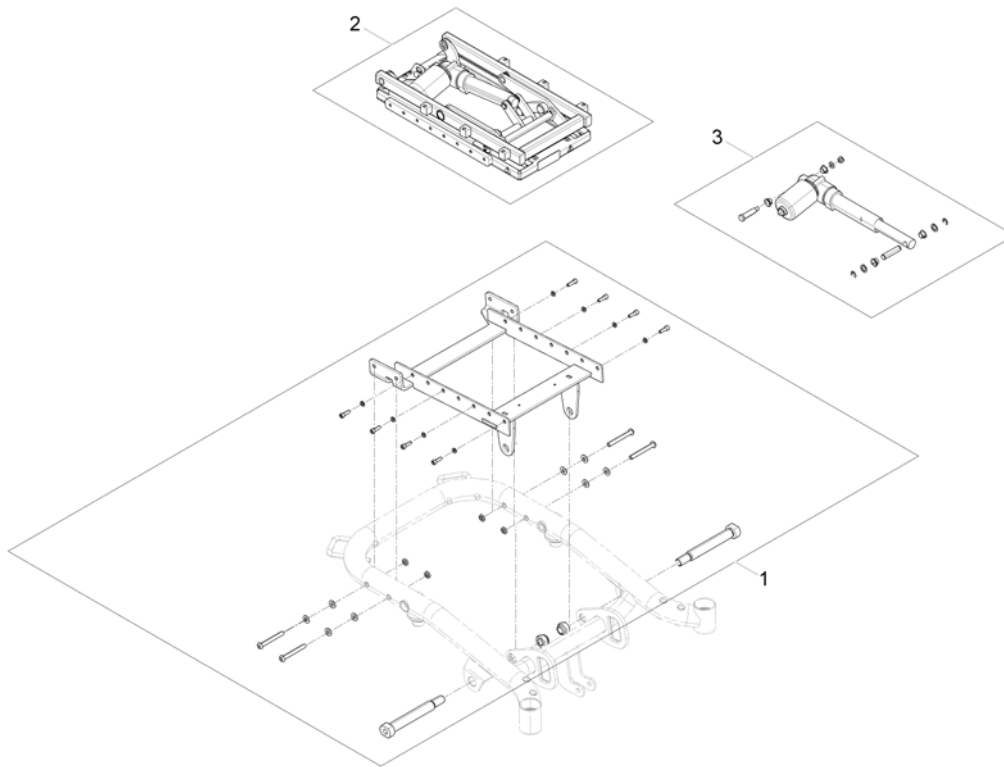
Pos.	Part number	Description	Valid from → until	Qty
1	SP1536595	Seat cushion 550 x 635, TR23 [1459]		1

Modulite Seat

1572995.iss



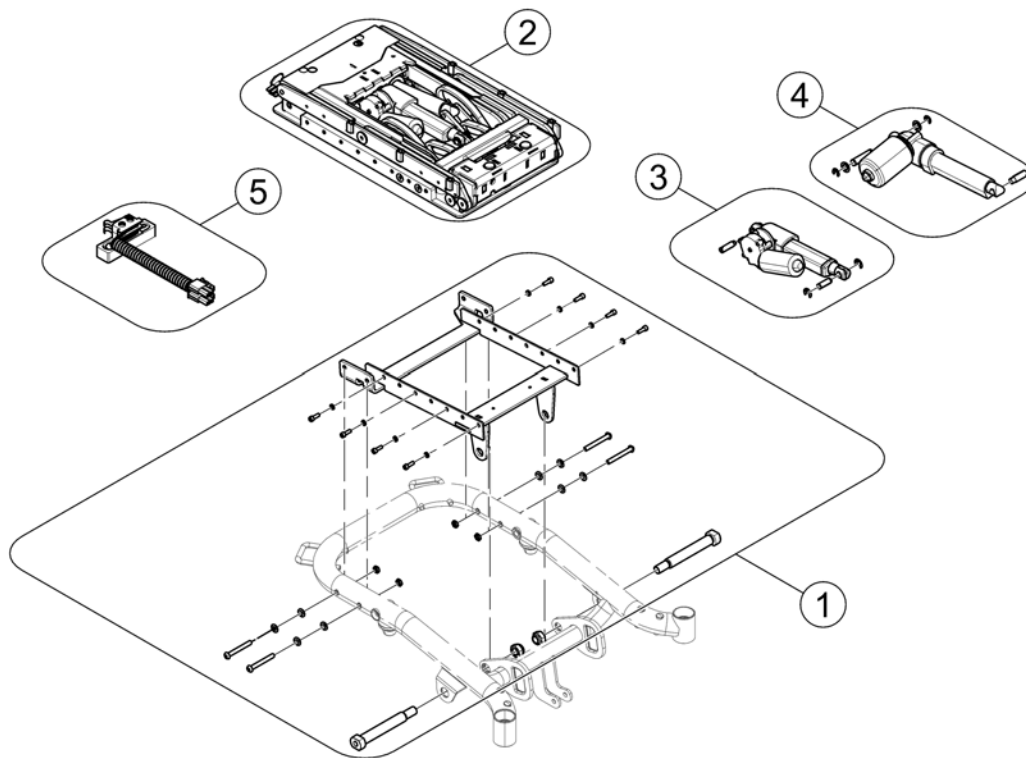
Pos.	Part number	Description	Valid from → until	Qty
1	-	Tilt 20° [1091/1092]		1
2	-	Tilt 30° [1093]		1
3	-	Lifter [1094]		1
4	-	One Piece Seat Plate [2110]		1
5	-	Telescopic Seat Frame and Plate [2111]		1
6	-	Telescopic Seat Frame and Sling Seat [2112]		1
7	-	Telescopic Seat Frame and Universal Adapter [2109]		1
8	-	Seat frame support		1
9	-	Seat Cushion		1



Pos.	Part number	Description	Valid from → until	Qty
1	SP1568399	Tilt bracket		1
2	SP1558714	Tilt unit		1
3	SP1571809	Actuator		1

Lifter

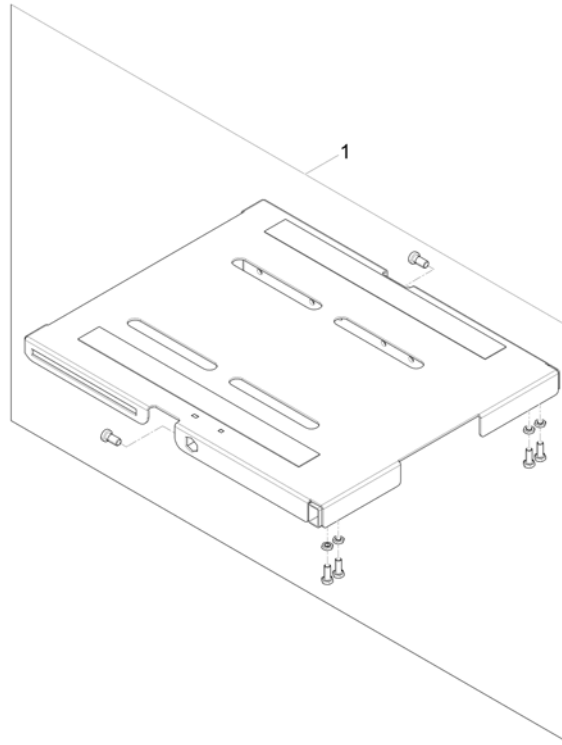
1573060.iss



Pos.	Part number	Description	Valid from → until	Qty
1	SP1568399	Tilt bracket		1
2	SP1558715	Liter- / Tilt unit		1
3	SP1571822	Tilt actuator		1
4	SP1571823	Lifter actuator		1
5	SP1577762	Slow-Stop Switchcable with Mounting		1

One Piece Seat Plate

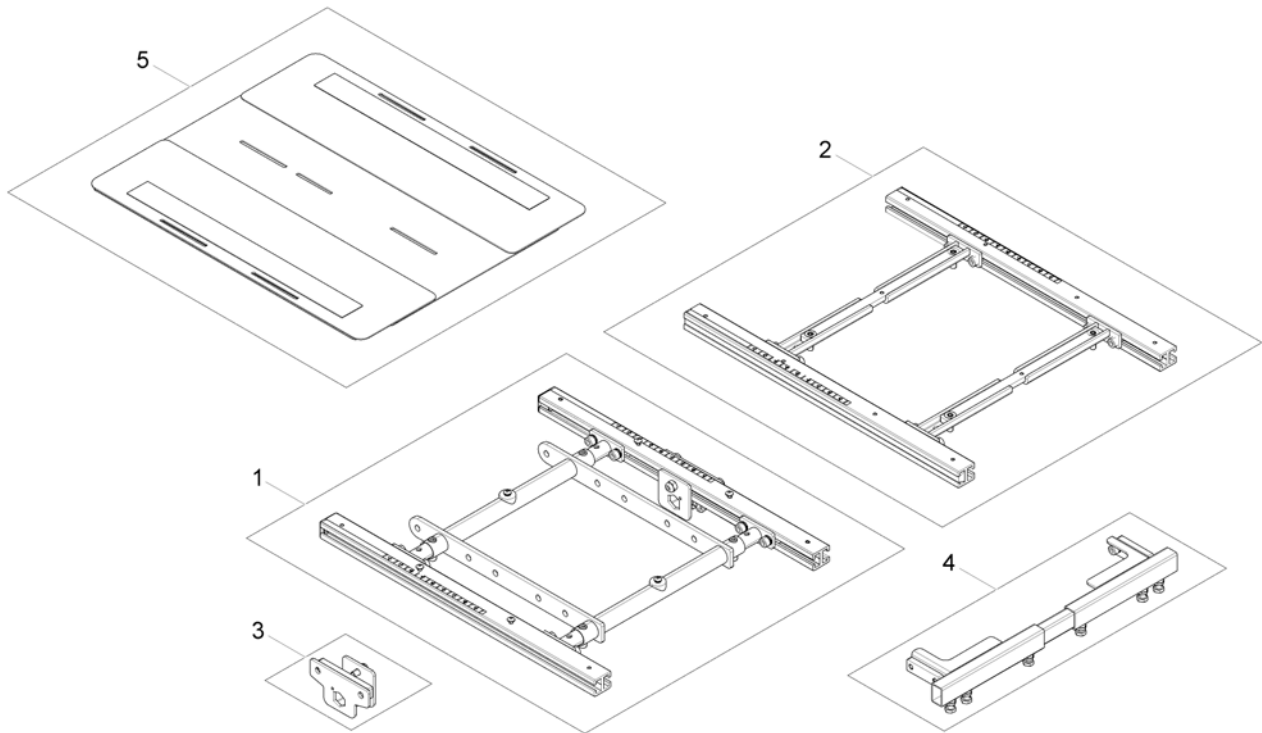
1571064.000



Pos.	Part number	Description	Valid from → until	Qty
1	SP1571297	One Piece Seat Plate		1

Telescopic Seat Frame and Plate

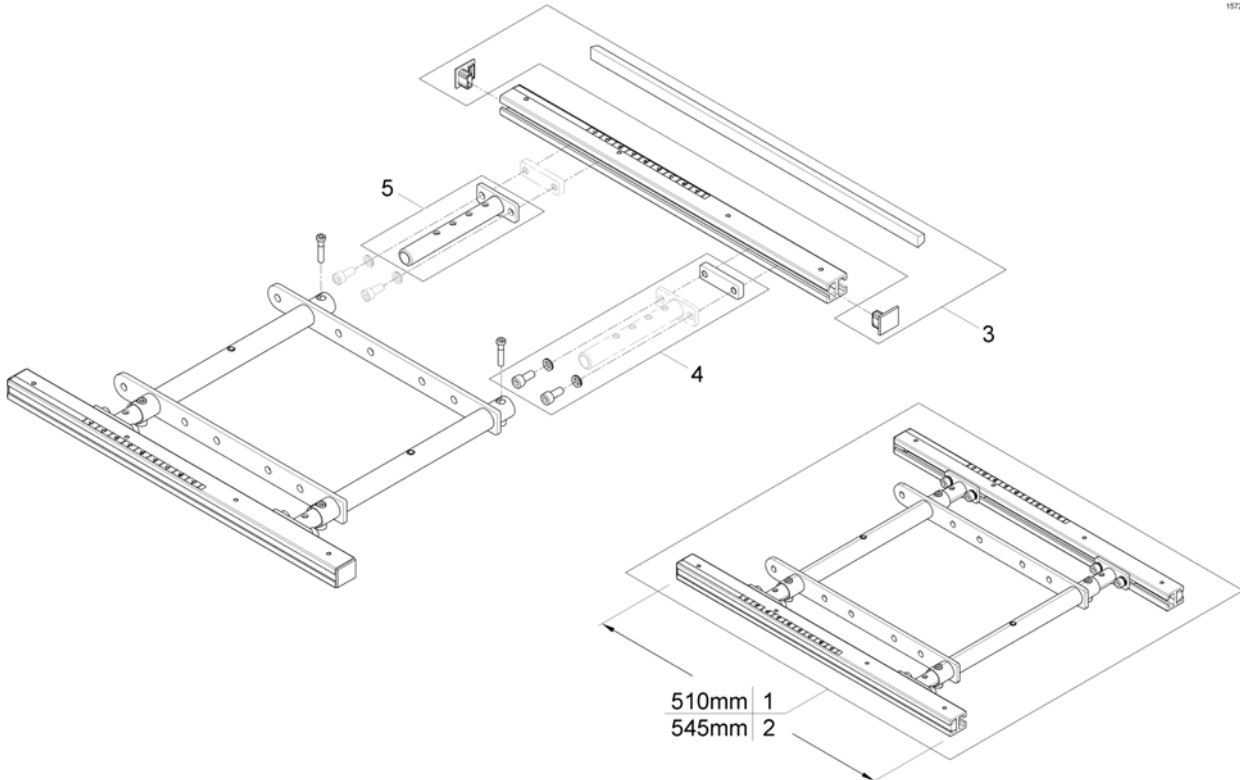
1572312 iso



Pos.	Part number	Description	Valid from → until	Qty
1	-	Telescopic Seat Frame for Tilt 12° / 20°		1
2	-	Telescopic Seat Frame for Tilt 30° / Lifter		1
3	-	Armrest bracket		1
4	-	Legrest Support		1
5	-	Seat Plate		1

Telescopic Seat Frame for Tilt 12° / 20°

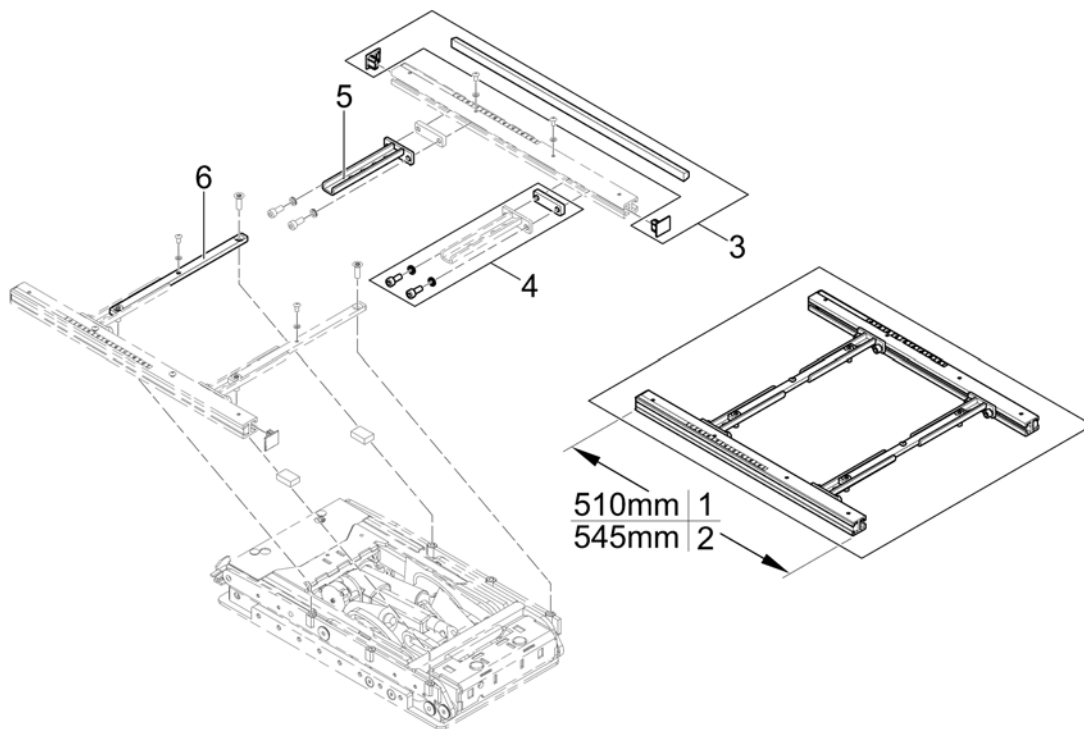
1572009.000



Pos.	Part number	Description	Valid from → until	Qty
1	SP1572977	Seatframe 510mm, cpl., pre set up to SW 43cm		1
2	SP1582216	Seatframe 545mm, cpl., pre set up to SW 43cm		1
3	SP1571810	Sealing strap with plugs		1
4	SP1571811	Groove stone with mounting parts		1
5	SP1554646	Adjustment Tube		1

Telescopic Seat Frame for Tilt 30° / Lifter

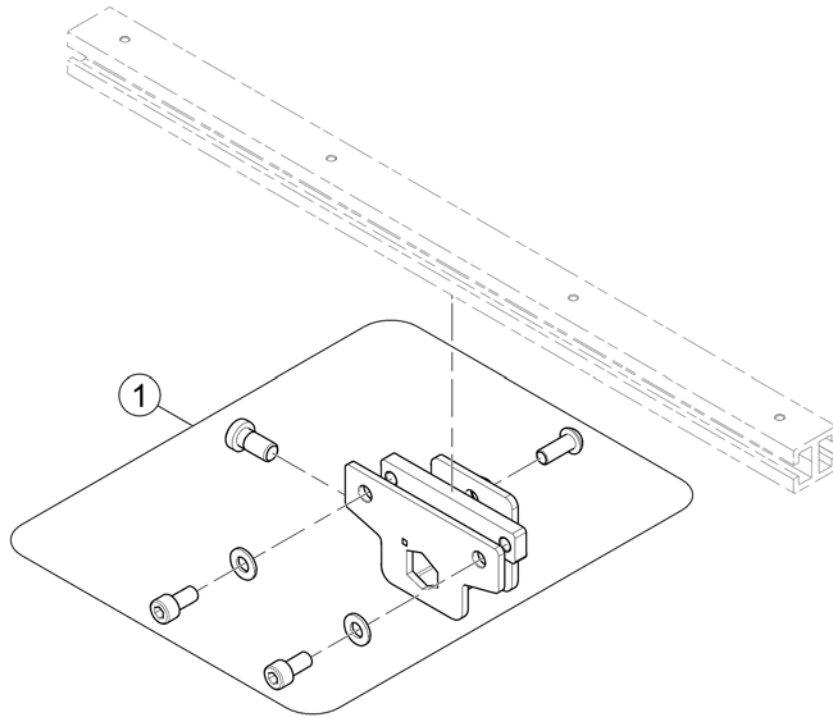
1572004 Rev



Pos.	Part number	Description	Valid from → until	Qty
1	SP1572992	Seatframe 510mm, pre set up to SW 430mm, cpl.		1
2	SP1582219	Seatframe 545mm, pre set up to SW 430mm, cpl.		1
3	SP1571810	Sealing strap with plugs		1
4	SP1571811	Groove stone with mounting parts		1
5	SP1567007	Seat Frame Adapter		1
6	SP1567008	Middle Rail		1

Armrest bracket

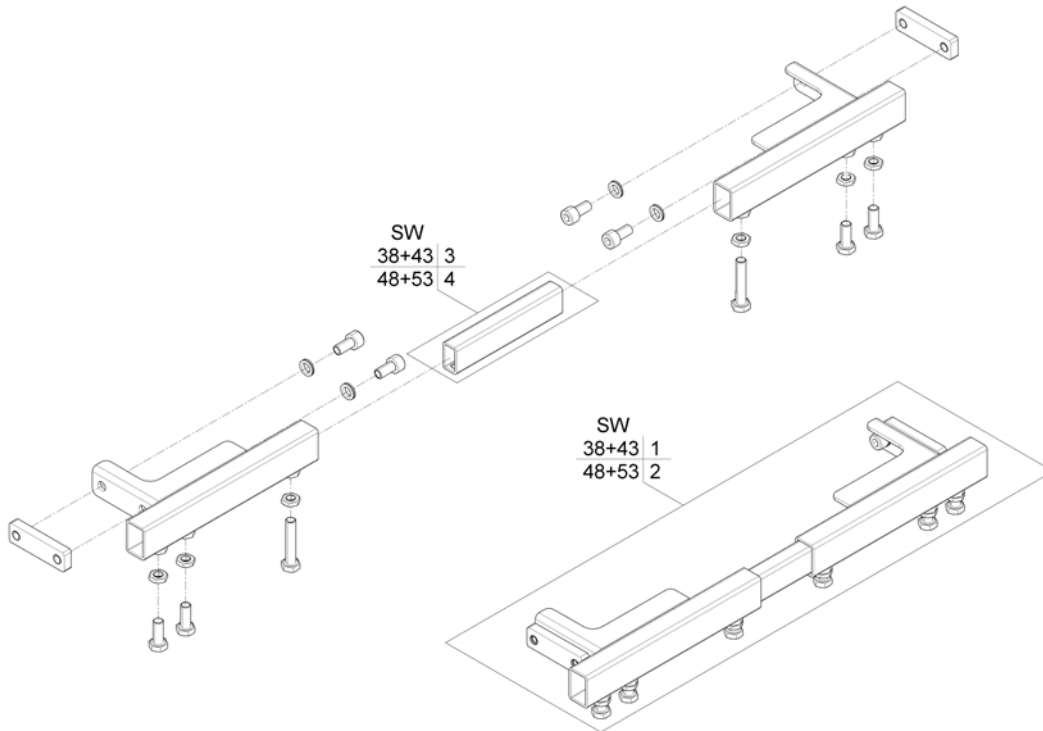
1571834 Rev



Pos.	Part number	Description	Valid from → until	Qty
1	SP1570189	Armrest bracket		1

Legrest Support

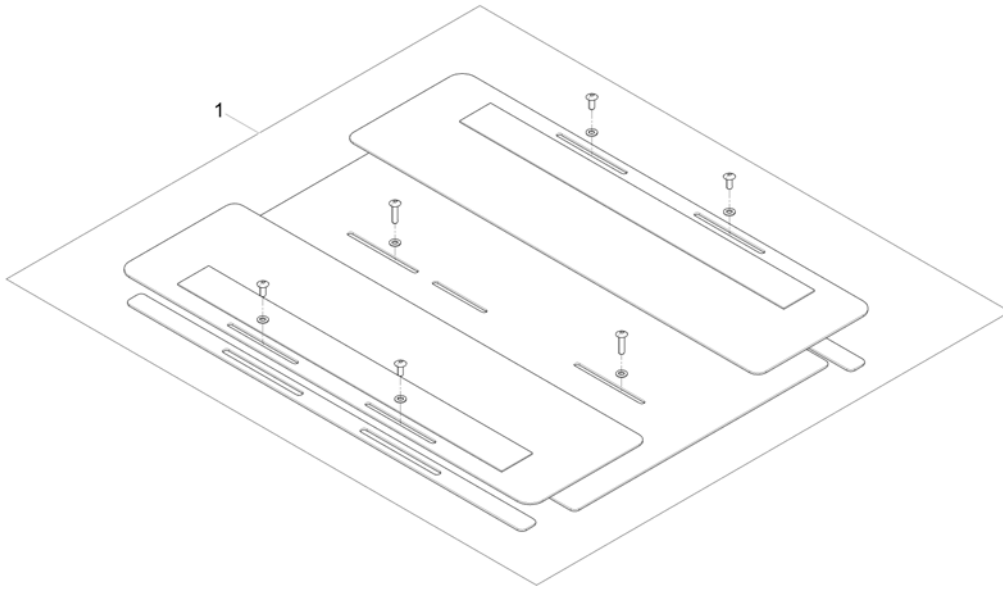
1572021.000



Pos.	Part number	Description	Valid from → until	Qty
1	SP1558935	Legrest Support SW38+43, cpl.		1
2	SP1559294	Legrest Support SW48+53, cpl.		1
3	SP1558134	Connection Tube SW380+430mm		1
4	SP1558135	Connection Tube SW480+530mm		1

Seat Plate

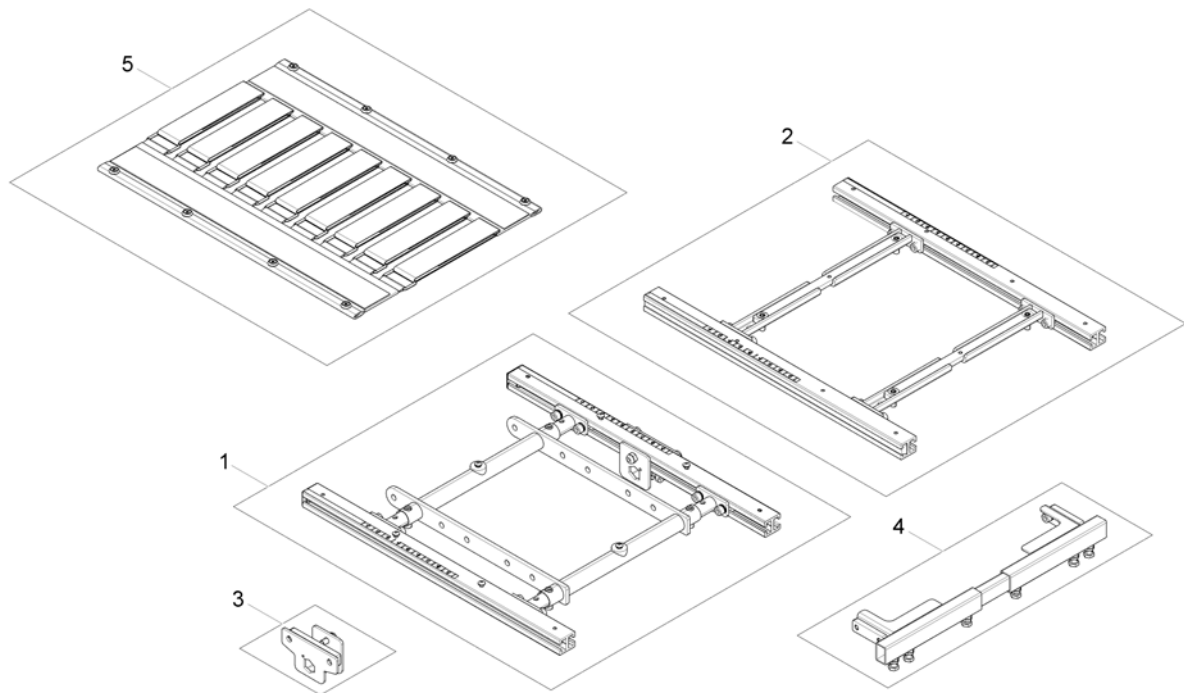
1572310.000



Pos.	Part number	Description	Valid from → until	Qty
1	SP1572199	Seat Plate 510mm, cpl.		1

Telescopic Seat Frame and Sling Seat

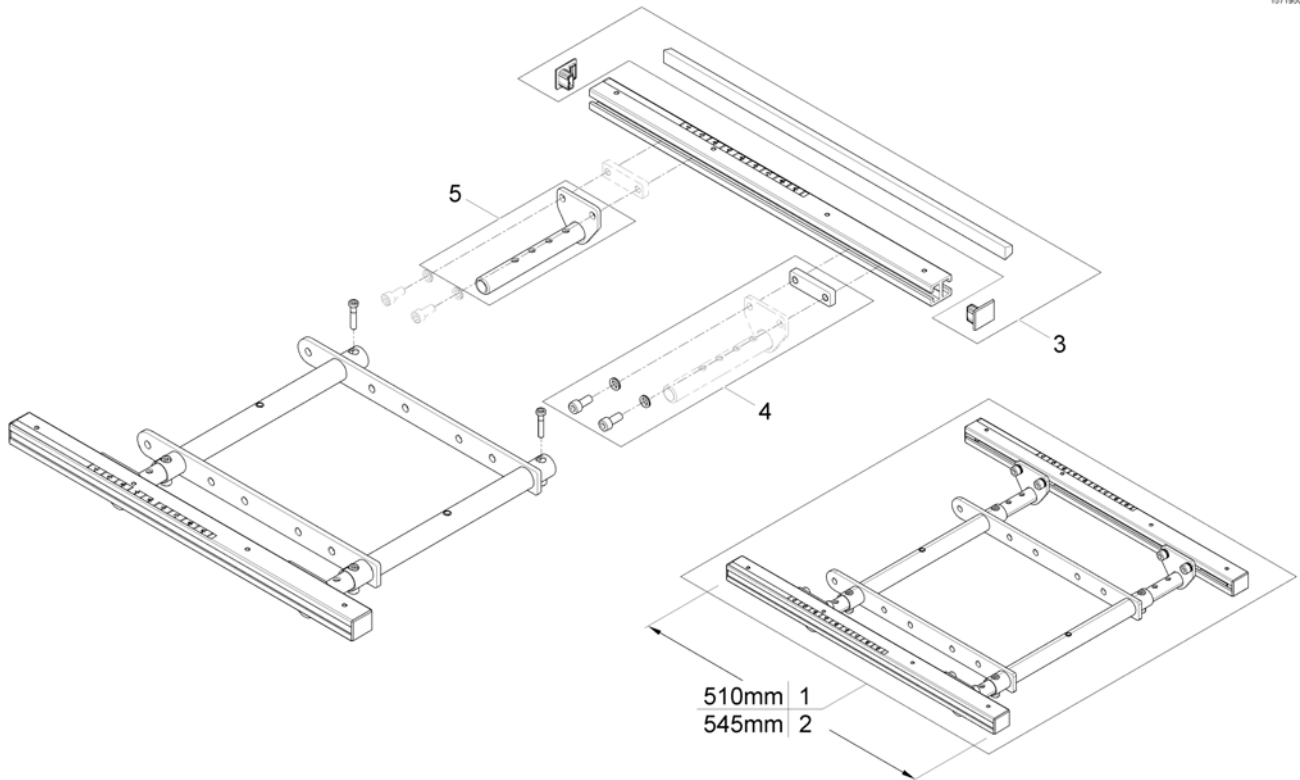
1572311.00



Pos.	Part number	Description	Valid from → until	Qty
1	-	Telescopic Seat Frame for Tilt 12° / 20°		1
2	-	Telescopic Seat Frame for Tilt 30° / Lifter		1
3	-	Armrest bracket		1
4	-	Legrest Support		1
5	-	Sling Seat		1

Telescopic Seat Frame for Tilt 12° / 20°

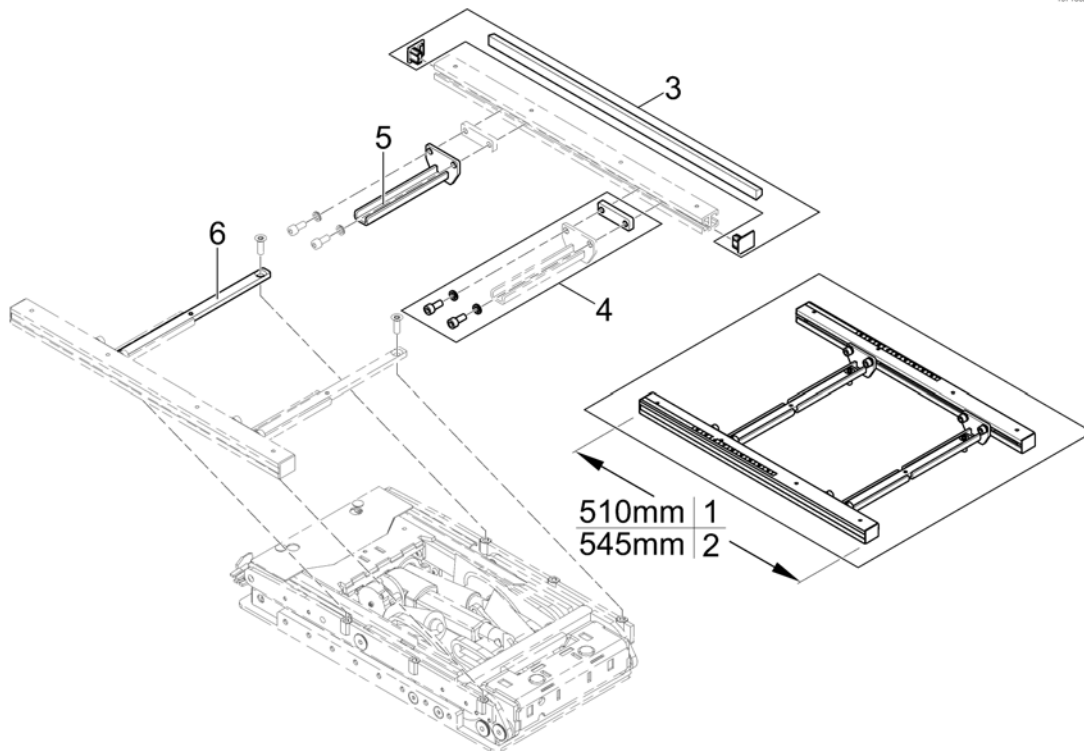
1571900-00



Pos.	Part number	Description	Valid from → until	Qty
1	SP1572978	Seatframe 510mm, cpl., pre set up to SW 43cm		1
2	SP1582217	Seatframe 545mm, cpl., pre set up to SW 43cm		1
3	SP1571810	Sealing strap with plugs		1
4	SP1571811	Groove stone with mounting parts		1
5	SP1555400	Adjustment Tube		1

Telescopic Seat Frame for Tilt 30° / Lifter

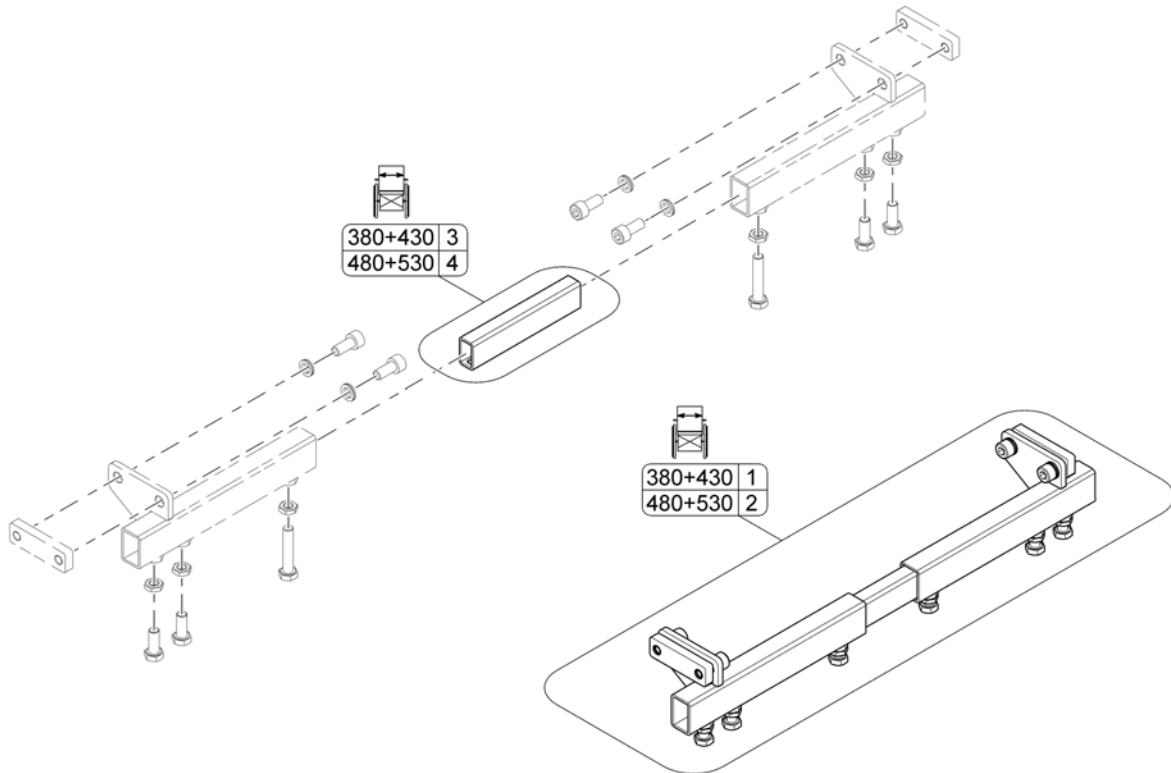
1571832 no



Pos.	Part number	Description	Valid from → until	Qty
1	SP1572993	Seatframe 510mm, pre set up to SW 430mm, cpl.		1
2	SP1582230	Seatframe 545mm, pre set up to SW 430mm, cpl.		1
3	SP1571810	Sealing strap with plugs		1
4	SP1571811	Groove stone with mounting parts		1
5	SP1567720	Seatframe Adapter		1
6	SP1567008	Middle Rail		1

Legrest Support

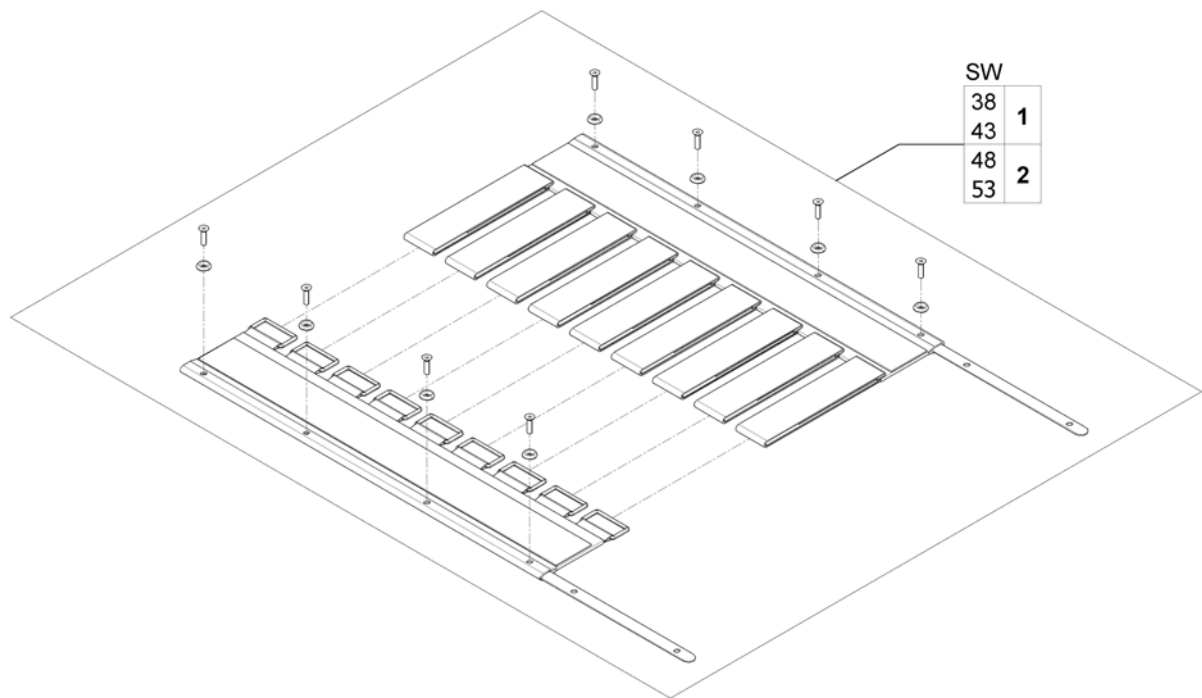
1572030.060



Pos.	Part number	Description	Valid from → until	Qty
1	SP1559305	Legrest Support SW380+430mm, cpl.		1
2	SP1559307	Legrest Support SW480+530mm, cpl.		1
3	SP1558134	Connection Tube SW380+430mm		1
4	SP1558135	Connection Tube SW480+530mm		1

Sling Seat

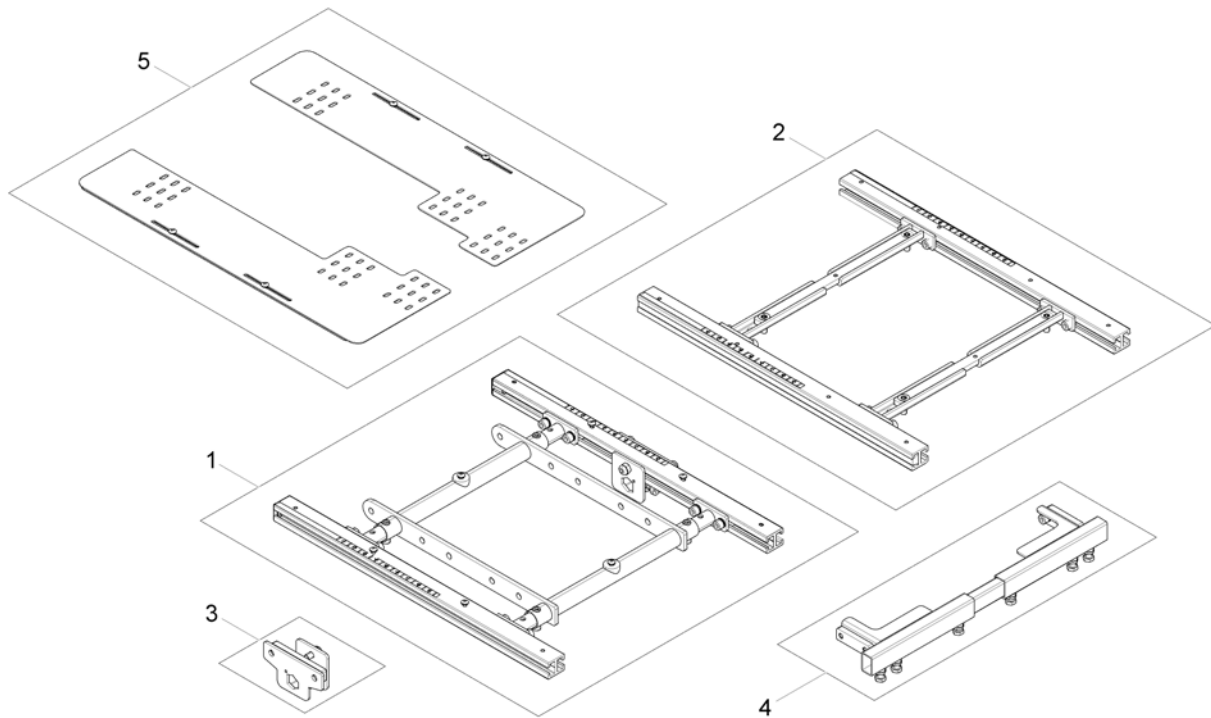
151176290



Pos.	Part number	Description	Valid from → until	Qty
1	SP1557877	Sling Seat SW380/430, 510mm		1
2	SP1555911	Sling Seat SW480/530, 510mm		1

Telescopic Seat Frame and Universal Adapter

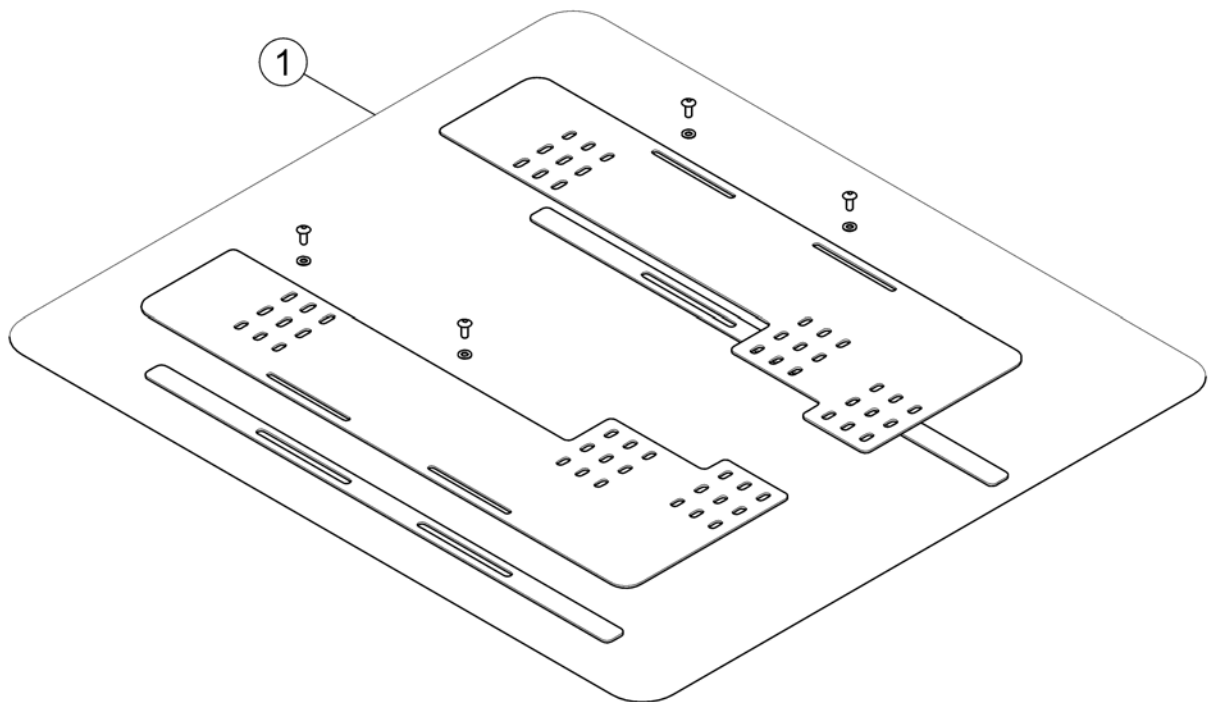
1581864 iso



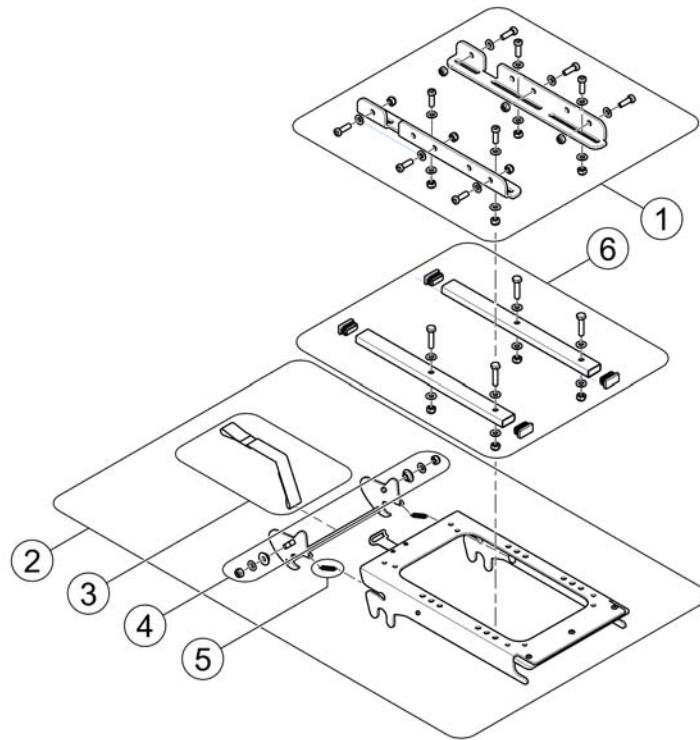
Pos.	Part number	Description	Valid from → until	Qty
1	-	Telescopic Seat Frame for Tilt 12° / 20°		1
2	-	Telescopic Seat Frame for Tilt 30° / Lifter		1
3	-	Armrest bracket		1
4	-	Legrest Support		1
5	-	Adapter Kit for Universal Seat		1

Adapter Kit for Universal Seat

1581863.iso



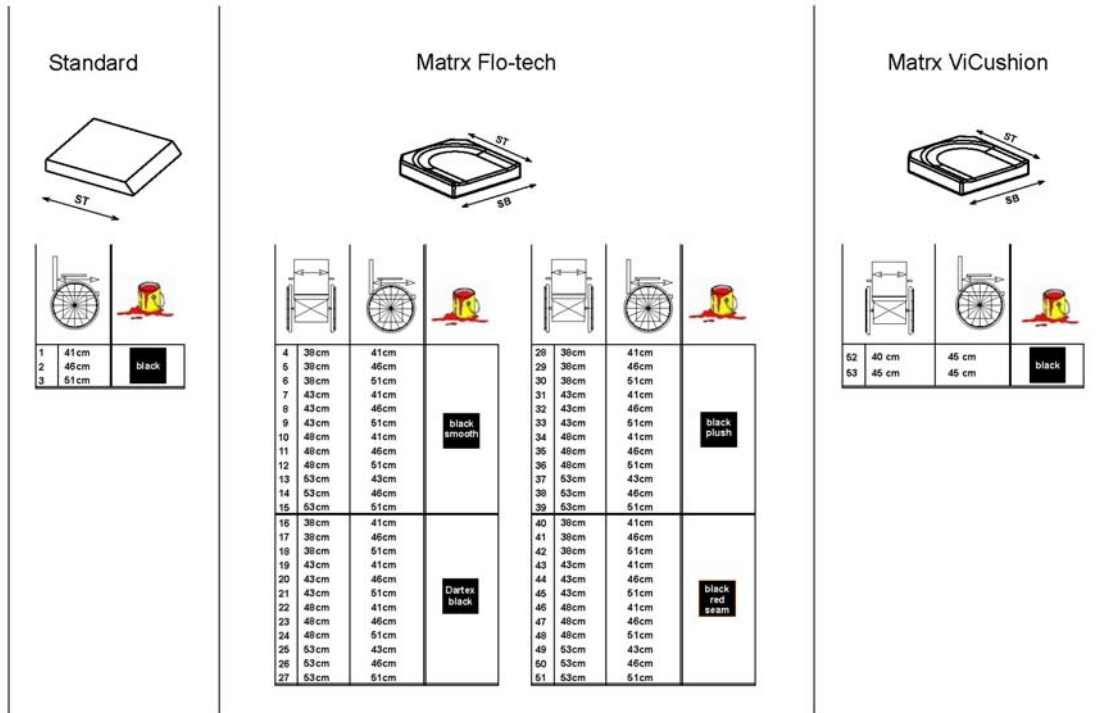
Pos.	Part number	Description	Valid from → until	Qty
1	SP1580750	Adapter Kit for Universal Seat 510mm		1



Pos.	Part number	Description	Valid from → until	Qty
1	SP1563230	Seatplate bracket		1
2	SP1524451	Seat Frame Support cpl.		1
3	SP1524455	Strip		1
4	SP1528340	Pull-Spring		1
5	SP1528341	Bearing-Kit		1
6	SP1587250	Seat Height Adapter +15mm, cpl. <i>Optional</i>		1

Seat Cushion

1573000 iso



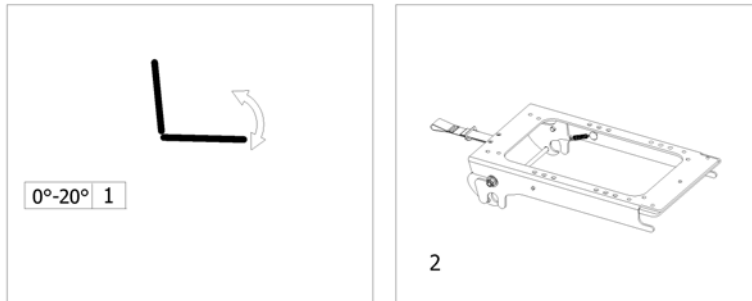
Pos.	Part number	Description	Valid from → until	Qty
1	1420460	Seat Cushion Standard SD 410mm <i>[2141]</i>		1
2	1420461	Seat Cushion Standard SD 460mm <i>[2141]</i>		1
3	1420462	Seat Cushion Standard SD 510mm <i>[2141]</i>		1
4	SPFLB15/16	Seatcushion Easy-Adapt SB38 x ST41cm black smooth <i>[2142+2151]</i>		1
5	SPFLB15/18	Seatcushion Easy-Adapt SB38 x ST46cm black smooth <i>[2142+2151]</i>		1
6	SPFLB15/20	Seatcushion Easy-Adapt SB38 x ST51cm black smooth <i>[2142+2151]</i>		1
7	SPFLB17/16	Seatcushion Easy-Adapt SB43 x ST41cm black smooth <i>[2142+2151]</i>		1
8	SPFLB17/18	Seatcushion Easy-Adapt SB43 x ST46cm black smooth <i>[2142+2151]</i>		1
9	SPFLB17/20	Seatcushion Easy-Adapt SB43 x ST51cm black smooth <i>[2142+2151]</i>		1
10	SPFLB19/16	Seatcushion Easy-Adapt SB48 x ST41cm black smooth <i>[2142+2151]</i>		1
11	SPFLB19/18	Seatcushion Easy-Adapt SB48 x ST46cm black smooth <i>[2142+2151]</i>		1
12	SPFLB19/20	Seatcushion Easy-Adapt SB48 x ST51cm black smooth <i>[2142+2151]</i>		1
13	SPFCB21/17	Seatcushion Easy-Adapt SB53 x ST43cm black smooth <i>[2142+2151]</i>		1
14	SPFCB21/18	Seatcushion Easy-Adapt SB53 x ST46cm black smooth <i>[2142+2151]</i>		1
15	SPFCB21/20	Seatcushion Easy-Adapt SB53 x ST51cm black smooth <i>[2142+2151]</i>		1
16	SP1529546-TR26	seat cushion Flo-tech Lite SW 38 x SD 41 Dartex black <i>[2142+2152]</i>		1
17	SP1529547-TR26	seat cushion Flo-tech Lite SW 38 x SD 46 Dartex black <i>[2142+2152]</i>		1
18	SP1529548-TR26	seat cushion Flo-tech Lite SW 38 x SD 51 Dartex black <i>[2142+2152]</i>		1

Seat Cushion

Pos.	Part number	Description	Valid from → until	Qty
19	SP1529549-TR26	seat cushion Flo-tech Lite SW 43 x SD 41 Dartex black <i>[2142+2152]</i>		1
20	SP1529550-TR26	seat cushion Flo-tech Lite SW 43 x SD 46 Dartex black <i>[2142+2152]</i>		1
21	SP1529551-TR26	seat cushion Flo-tech Lite SW 43 x SD 51 Dartex black <i>[2142+2152]</i>		1
22	SP1529552-TR26	seat cushion Flo-tech Lite SW 48 x SD 41 Dartex black <i>[2142+2152]</i>		1
23	SP1529553-TR26	seat cushion Flo-tech Lite SW 48 x SD 46 Dartex black <i>[2142+2152]</i>		1
24	SP1529554-TR26	seat cushion Flo-tech Lite SW 48 x SD 51 Dartex black <i>[2142+2152]</i>		1
25	SP1529555-TR26	seat cushion Flo-tech Contour SW 53 x SD 43 Dartex black <i>[2142+2152]</i>		1
26	SP1529556-TR26	seat cushion Flo-tech Contour SW 53 x SD 46 Dartex black <i>[2142+2152]</i>		1
27	SP1529570-TR26	seat cushion Flo-tech Contour SW 53 x SD 51 Dartex black <i>[2142+2152]</i>		1
28	SP1529546-TR35	seat cushion Flo-tech Lite SW 38 x SD 41 black chenille fabric <i>[2142+2154]</i>		1
29	SP1529547-TR35	seat cushion Flo-tech Lite SW 38 x SD 46 black chenille fabric <i>[2142+2154]</i>		1
30	SP1529548-TR35	seat cushion Flo-tech Lite SW 38 x SD 51 black chenille fabric <i>[2142+2154]</i>		1
31	SP1529549-TR35	seat cushion Flo-tech Lite SW 43 x SD 41 black chenille fabric <i>[2142+2154]</i>		1
32	SP1529550-TR35	seat cushion Flo-tech Lite SW 43 x SD 46 black chenille fabric <i>[2142+2154]</i>		1
33	SP1529551-TR35	seat cushion Flo-tech Lite SW 43 x SD 51 black chenille fabric <i>[2142+2154]</i>		1
34	SP1529552-TR35	Seat cushion Flo-tech Lite SW 48 x SD 41 black chenille fabric <i>[2142+2154]</i>		1
35	SP1529553-TR35	seat cushion Flo-tech Lite SW 48 x SD 46 black chenille fabric <i>[2142+2154]</i>		1
36	SP1529554-TR35	seat cushion Flo-tech Lite SW 48 x SD 51 black chenille fabric <i>[2142+2154]</i>		1
37	SP1529555-TR35	seat cushion Flo-tech Contour SW 53 X SD 43 black chenille fabric <i>[2142+2154]</i>		1
38	SP1529556-TR35	seat cushion Flo-tech Contour SW 53 x SD 46 black chenille fabric <i>[2142+2154]</i>		1
39	SP1529570-TR35	seat cushion Flo-tech Contour SW 53 x SD 51 black chenille fabric <i>[2142+2154]</i>		1
40	SP1529546	Seatcushion Easy-Adapt SB38 x ST41cm black with red seam <i>[2142+2153]</i>		1
41	SP1529547	Seatcushion Easy-Adapt SB38 x ST46cm black with red seam <i>[2142+2153]</i>		1
42	SP1529548	Seatcushion Easy-Adapt SB38 x ST51cm black with red seam <i>[2142+2153]</i>		1
43	SP1529549	Seatcushion Easy-Adapt SB43 x ST41cm black with red seam <i>[2142+2153]</i>		1
44	SP1529550	Seatcushion Easy-Adapt SB43 x ST46cm black with red seam <i>[2142+2153]</i>		1
45	SP1529551	Seatcushion Easy-Adapt SB43 x ST51cm black with red seam <i>[2142+2153]</i>		1
46	SP1529552	Seatcushion Easy-Adapt SB48 x ST41cm black with red seam <i>[2142+2153]</i>		1
47	SP1529553	Seatcushion Easy-Adapt SB48 x ST46cm black with red seam <i>[2142+2153]</i>		1
48	SP1529554	Seatcushion Easy-Adapt SB48 x ST51cm black with red seam <i>[2142+2153]</i>		1
49	SP1529555	Seatcushion Easy-Adapt SB53 x ST43cm black with red seam <i>[2142+2153]</i>		1
50	SP1529556	Seatcushion Easy-Adapt SB53 x ST46cm black with red seam <i>[2142+2153]</i>		1

Seat Cushion

Pos.	Part number	Description	Valid from → until	Qty
51	SP1529570	Seatcushion Easy-Adapt SB53 x ST51cm black with red seam <i>[2142+2153]</i>		1
52	SP1531760	Seat Cushion Matrix Vi SW 40 x SD 45cm (16" x 18") <i>[2144]</i>		1
53	SP1531761	Seat Cushion Matrix Vi SW 45 x SD 45cm (18" x 18") <i>[2144]</i>		1
54	SP1501113	Seat Cushion Flo-tech Contur Visco 43x43cm <i>[2143]</i>		1



Pos.	Part number	Description	Valid from → until	Qty
1	-	Tilt 20°		1
2	-	Seat Frame Support		1

Backrest



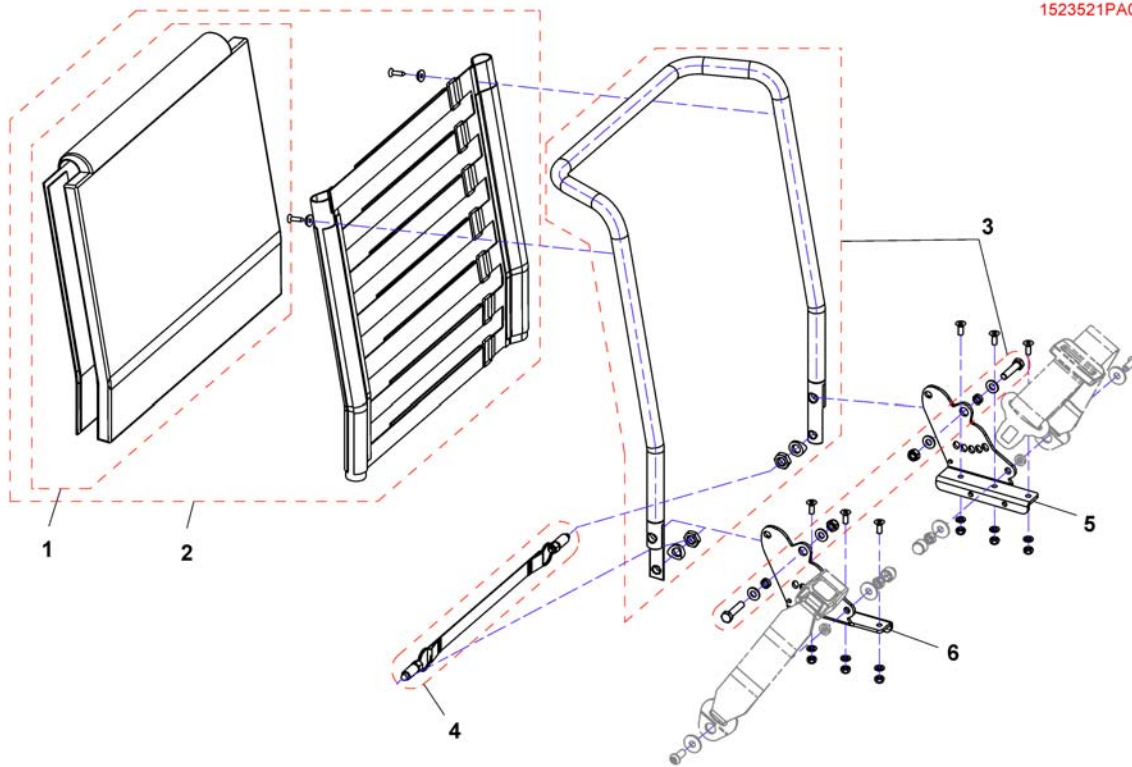
Pos.	Part number	Description	Valid from → until	Qty
1	-	Backrest for Standard Seat		1
2	-	Backrest for Flex2 Seat		1
3	-	Backrest for Firm Seat		1
4	-	Backrest for Max Seat		1
5	-	Backrest for Modulite Seat		1
6	-	Push handle for Leckey Seat (UK only)		1

Backrest for Standard Seat

Pos.	Part number	Description	Valid from → until	Qty
-		Backrest Standard Seat, quick release [0958]		1
-		Backrest Standard Seat, settable [0959]		1
-		Backrest Standard Seat, Powered Recliner [0947]		1

Backrest Standard Seat, quick release

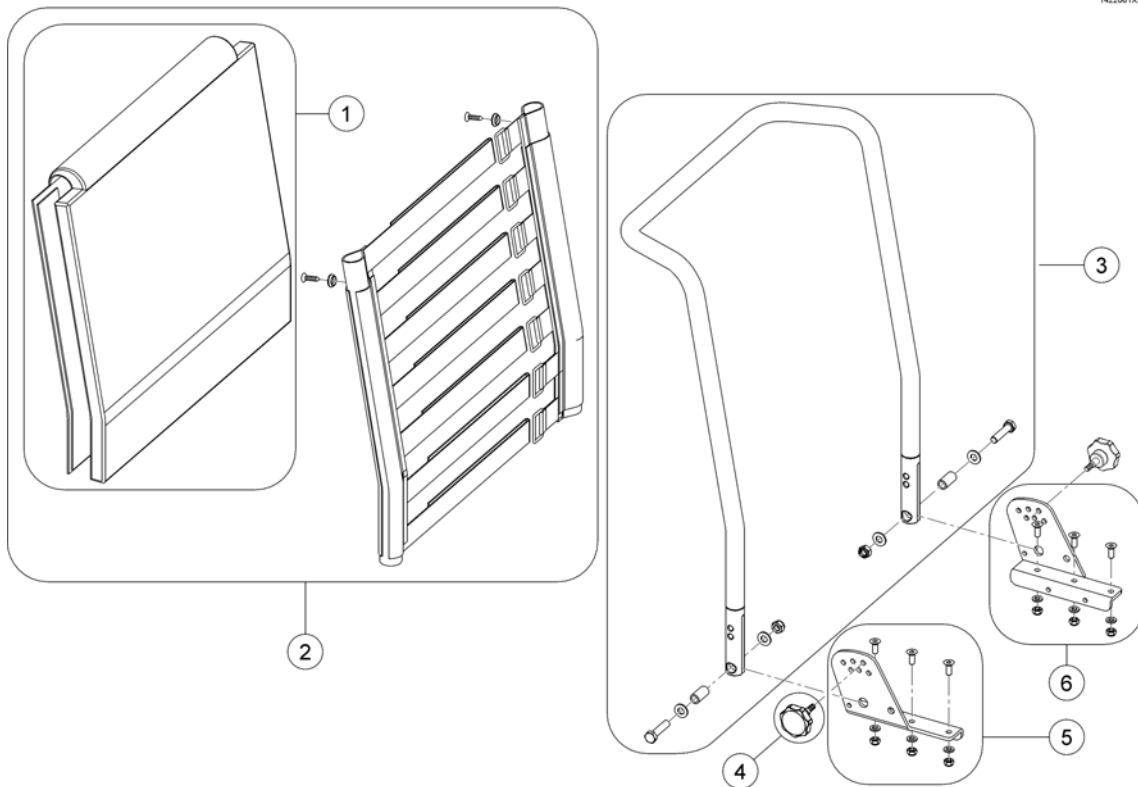
1523521PAC.dwg



Pos.	Part number	Description	Valid from → until	Qty
1	1420445	Backrest upholstery, 480mm		1
1	1420452	Backrest upholstery, 540mm		1
2	1422062	Sling Back with Backrest upholstery 480 mm		1
2	1422063	Sling Back with Backrest upholstery 540mm		1
3	SP1523520	Backrest Tube 480mm		1
3	SP1527953	Backrest Tube 540mm		1
4	SP1528346	Belt with snappers and mounting hardware		1
5	SP1523519	Backrest bracket LH		1
6	SP1523518	Backrest bracket RH		1

Invacare® Spectra XTR/XTR2/XTR2HD | Backrest
Backrest Standard Seat, settable

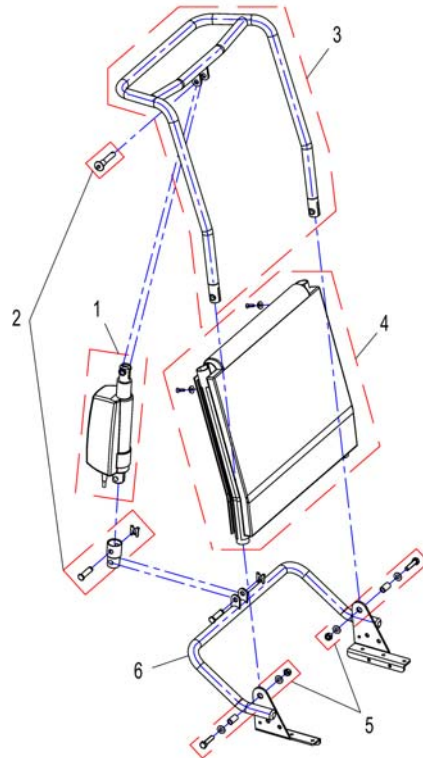
1422061X.iso



Pos.	Part number	Description	Valid from → until	Qty
1	1420445	Backrest upholstery, 480mm		1
1	1420452	Backrest upholstery, 540mm		1
2	1422062	Sling Back with Backrest upholstery 480 mm		1
2	1422063	Sling Back with Backrest upholstery 540mm		1
3	SP1419996	Backrest Frame 48cm height		1
3	SP1420465	Backrest Frame 54cm height		1
4	SP1420444	Star Grip M8		1
5	SP1541567	Backrest bracket RH		1
6	SP1541568	Backrest bracket LH		1

Backrest Standard Seat, Powered Recliner

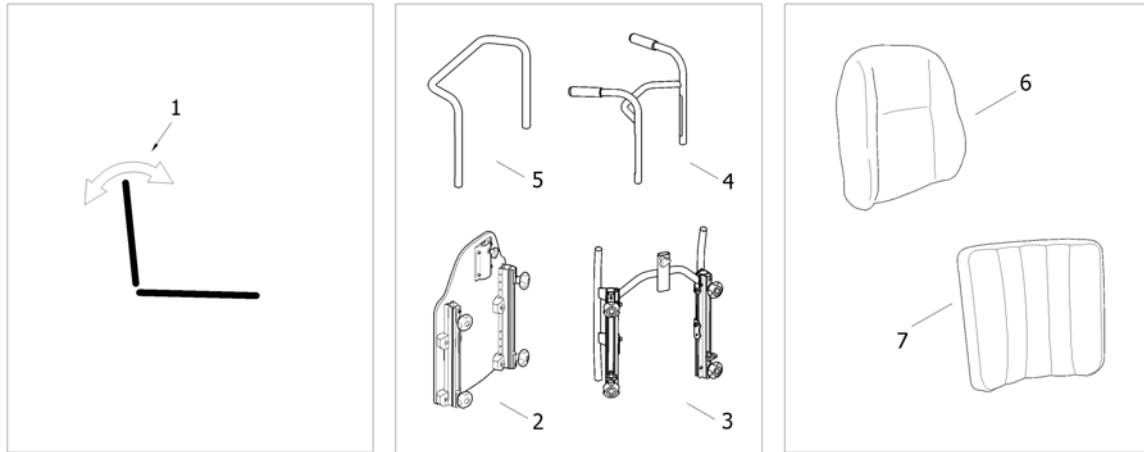
1531008X.dwg



Pos.	Part number	Description	Valid from → until	Qty
1	SP1533541	Actuator Backrest adjustment ACS2		1
1	SP1533542	Actuator Backrest adjustment VR2 & R-NET		1
1	SP1446520	Actuator ACS2 / Shark <i>for Shark!</i>		1
2	1446700	Mounting Kit Actuator		1
3	1442864-9005	Backrest frame for 480 mm height (push handle), adjustable		1
3	1442866-9005	Backrest frame for 540 mm height (push handle), adjustable		1
4	1422062	Sling Back with Backrest upholstery 480 mm		1
4	1422063	Sling Back with Backrest upholstery 540mm		1
5	1446699	Fixation Kit for backrest tube		1
6	1442845-9005	Lower Bracket for backrest frame		1

Backrest for Flex2 Seat

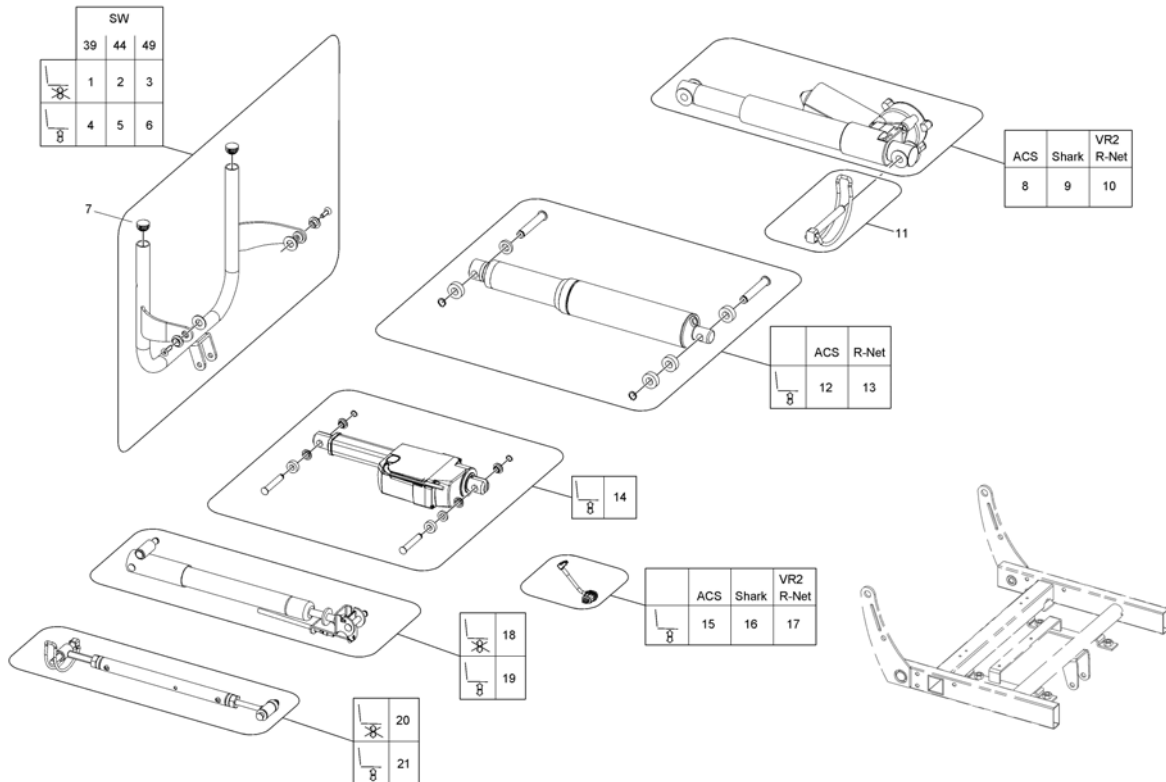
1571736.iss



Pos.	Part number	Description	Valid from → until	Qty
1	-	Backrest Recliner		1
2	-	Backrest Flex2		1
3	-	Backrest frame Flex2, tension adjustable		1
4	-	Push handles Flex2 [1306]		1
5	-	Push handles Flex2, attendant control [1306]		1
6	-	Backrest cushion		1
7	-	Tension adjustable		1

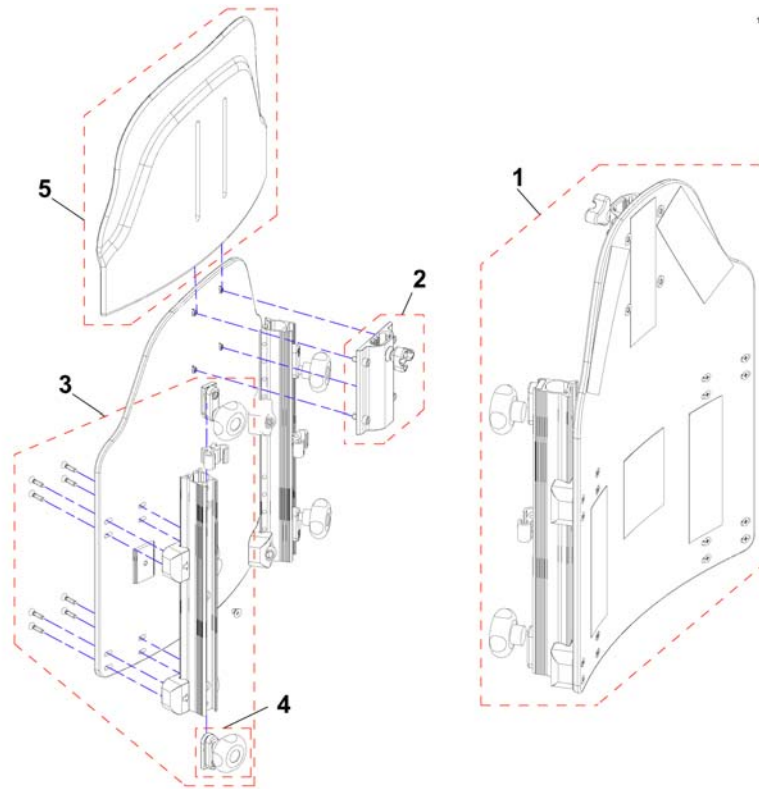
Backrest Recliner

1572093.iso



Pos.	Part number	Description	Valid from → until	Qty
1	SP1526889	Backrest Support Flex2, SW 39 cm		1
2	SP1526890	Backrest Support Flex2, SW 44 cm		1
3	SP1526891	Backrest Support Flex2, SW 49 cm		1
4	SP1531265	Backrest Support Flex2, SW 39 cm		1
5	SP1531266	Backrest Support Flex2, SW 44 cm		1
6	SP1531267	Backrest Support Flex2, SW 49 cm		1
7	L01008	Tube End Plug SI 22		1
8	SP1526892	Backrest adjustment, powered ACS2 - Lifter		1
9	SP1528267	Backrest adjustment, powered Shark - Lifter		1
10	SP1528264	Backrest adjustment, powered VR2 / R-NET - Lifter		1
11	1439936	Pin with Loop 8X60		1
12	SP1531268	Backrest adjustment, powered ACS2 + Lifter	→ 2011-11-08	1
13	SP1531269	Backrest adjustment, powered R-NET + Lifter	→ 2011-11-08	1
14	SP1552547	Backrest adjustment, LA23 powered, 30° + Lifter	2011-11-09 →	1
15	SP1556449	Actuator Cable LA23 ACS2 (~400mm) SHARK	2011-11-09 →	1
16	SP1556449	Actuator Cable LA23 ACS2 (~400mm) ACS2	2011-11-09 →	1
17	SP1552297	Actuator Cable LA23 Shark (~500mm) VR2 / R-NET	2011-11-09 →	1
18	SP1526893	Backrest adjustment, pneumatic - Lifter		1
19	SP1552566	Backrest adjustment, pneumatic + Lifter		1
20	SP1528085	Backrest adjustment, manual - Lifter		1
21	SP1531270	Backrest adjustment, manual + Lifter		1

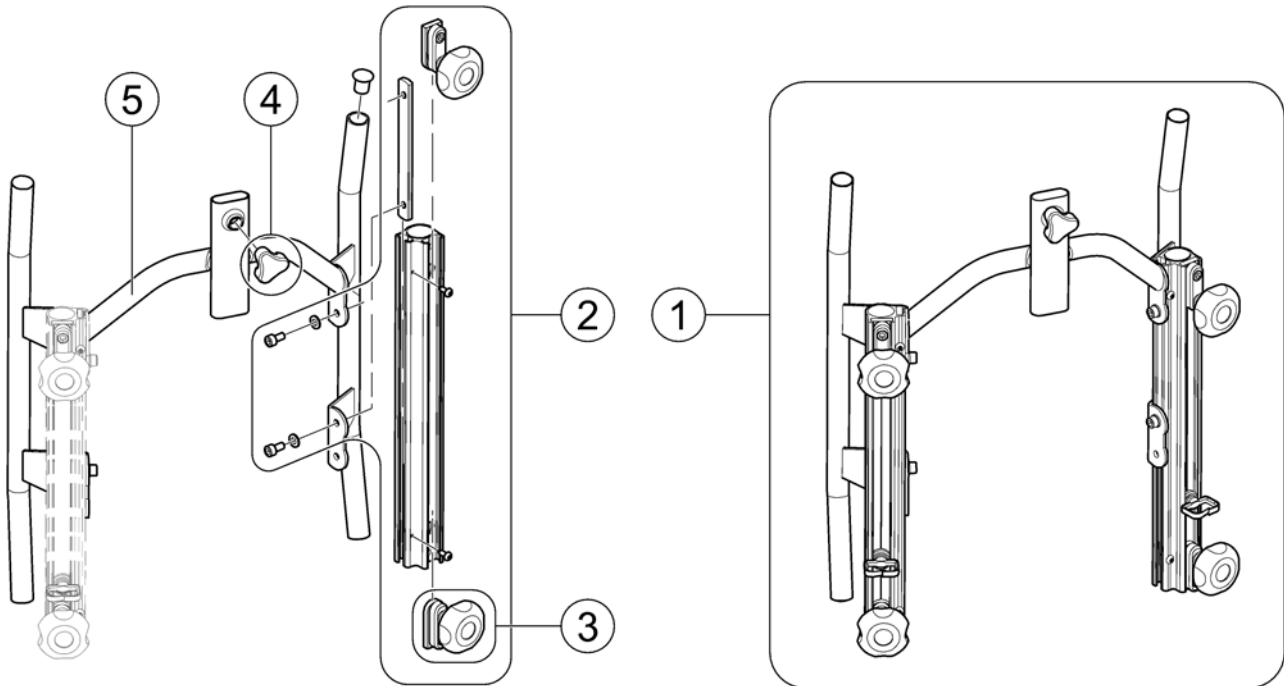
Backrest Flex2



Pos.	Part number	Description	Valid from → until	Qty
1	1440151	BACKREST PLATE Flex2 405X485 CPL		1
1	1440152	BACKREST PLATE Flex2 455X485 CPL		1
1	1440153	BACKREST PLATE Flex2 505X485 CPL		1
2	1446010	Bracket for Neck-/Headrest Flex2		1
3	1446008	Rail RH, backrest FLEX2, fixed		1
3	1446009	Rail LH, backrest FLEX2, fixed		1
4	5253088	Fixation block		1
5	1440147	EXTENDER 405X290 CPL, BACKREST FLEX2		1
5	1440148	EXTENDER 455X290 CPL, BACKREST FLEX2		1
5	1440149	EXTENDER 505X290 CPL, BACKREST FLEX2		1

Backrest frame Flex2, tension adjustable

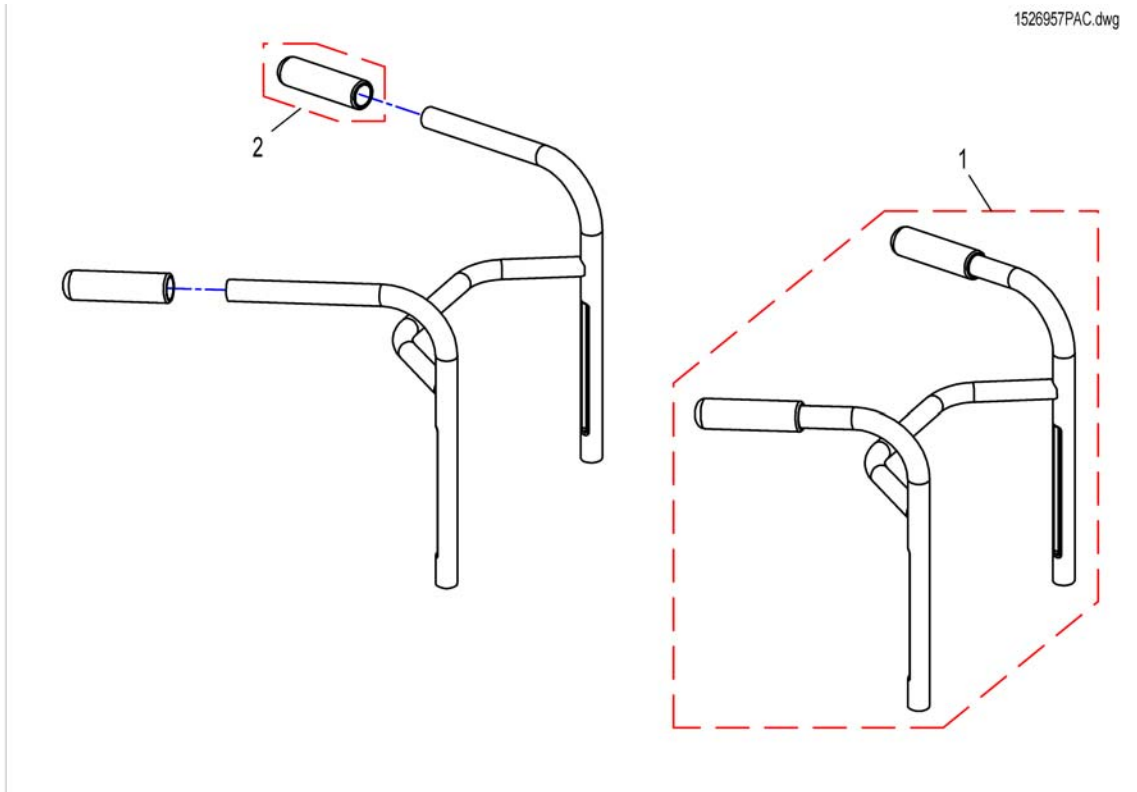
1445697PAC.iso



Pos.	Part number	Description	Valid from → until	Qty
1	1445697	Backrest, adjustable 292 (SW 390mm), cpl.		1
1	1445698	Backrest, adjustable 342 (SW 440mm), cpl.		1
1	1445699	Backrest, adjustable 392 (SW 490mm), cpl.		1
2	1445848	Backrest Rail, cpl.		1
3	5253088	Fixation block		1
4	1444175	HANDWHEEL UNLOSEABLE CPL CPL		1
5	1445844-0509	Backrest Frame SW 390mm		1
5	1445845-0509	Backrest Frame SW 440mm		1
5	1445846-0509	Backrest Frame SW 490mm		1

Push handles Flex2

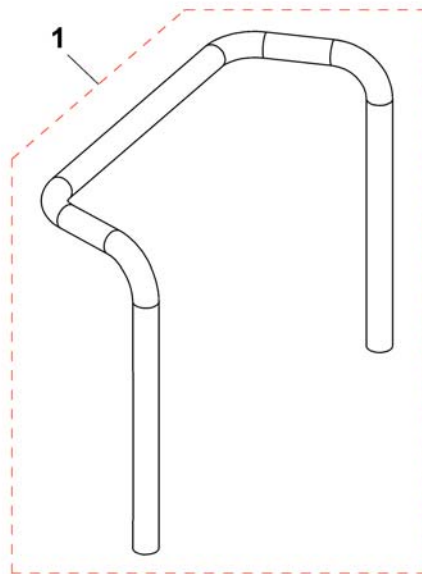
1526957PAC.dwg



Pos.	Part number	Description	Valid from → until	Qty
1	SP1526957	Push Handle SW39		1
1	SP1526958	Push Handle SW44		1
1	SP1526959	Push Handle SW49		1
2	1435421	Handle plastic black Ø22 "Invacare"		1

Push handles Flex2, attendant control

1534551X.dwg

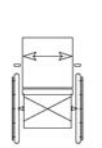
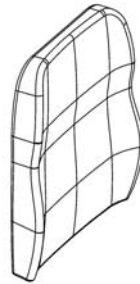


Pos.	Part number	Description	Valid from → until	Qty
1	1425840-9005	PUSH HANDLE SB 39		1
1	1425839-9005	PUSH HANDLE SW 44		1
1	SP1534553	PUSH HANDLE SB 49		1

Backrest cushion

1526905PAC.dwg

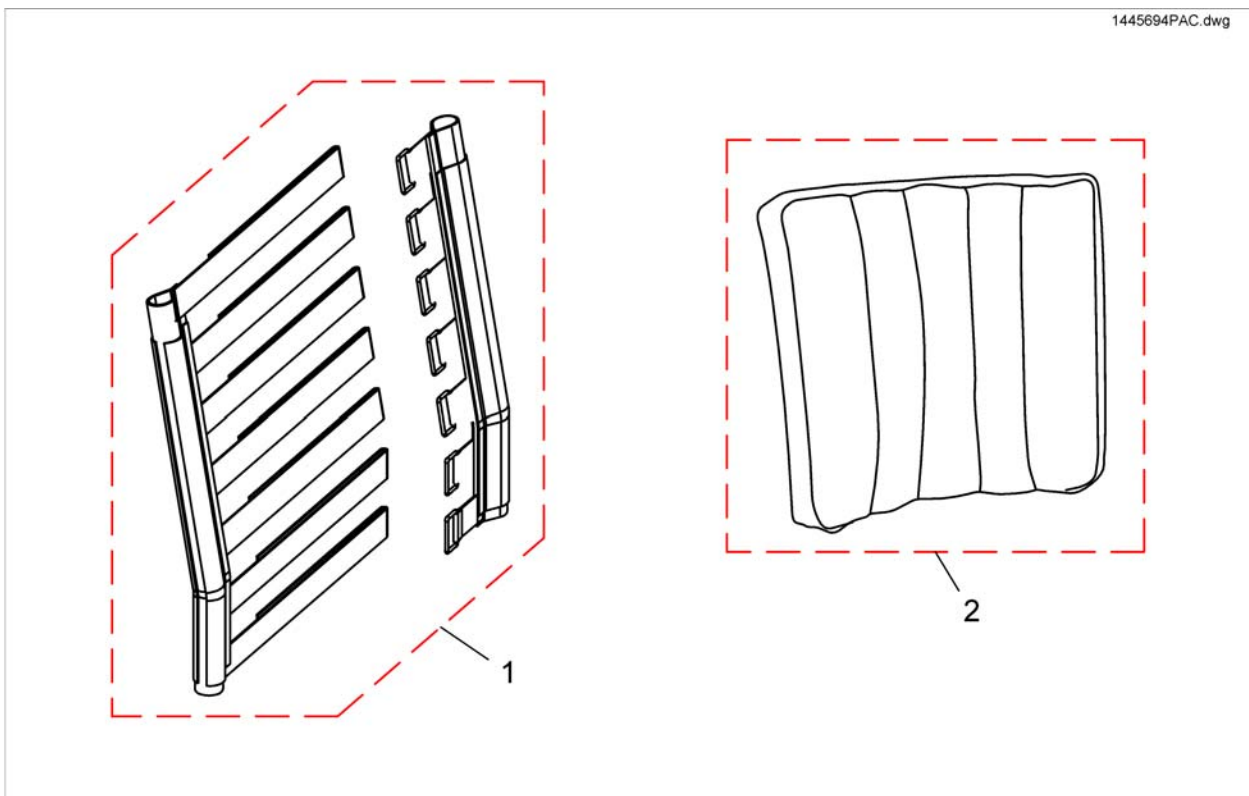
FLEX II



1	37cm	grey plush
2	40cm	
3	45cm	
4	49cm	
5	37cm	Dartex grey
6	40cm	
7	45cm	
8	49cm	

Pos.	Part number	Description	Valid from → until	Qty
6	-	No longer available - please refer to Replacement Info for which part is to be used instead. <i>SP1427119-TR26 Dartex black or 1435798 Grey Plush</i>		1
7	-	No longer available - please refer to Replacement Info for which part is to be used instead. <i>SP1427120-TR26 Dartex black or 1444340 Grey Plush</i>		0
1	1444339	Backrest Cushion Laguna, 372x550mm, Grey Plush		1
2	1435798	Backrest Cushion Laguna, 402x550mm, Grey Plush		1
3	1444340	Backrest Cushion Laguna, 452x550mm, Grey Plush		1
4	1444341	Backrest Cushion Laguna, 492x550mm, Grey Plush		1
5	1427118	Backrest cushion comfort Laguna (XS), 372x550 mm, Dartex grey (TR23)		1
8	1427121	Backrest Cushion Laguna, 492x550mm, Dartex Grey		1

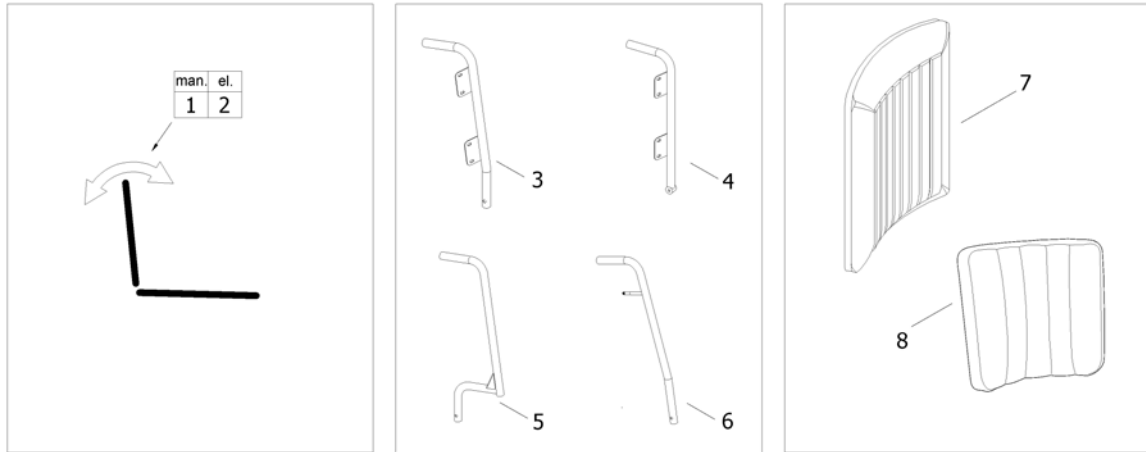
Tension adjustable



Pos.	Part number	Description	Valid from → until	Qty
1	1445694	Backrest, tension adjustable, SW up to 49cm		1
2	1444344	Cover SW39 TR32		1
2	1444345	Cover SW44 TR32		1
2	1444346	Cover SW49 TR32		1
2	1446512	Cover SW39, black plush		1
2	1446513	Cover SW44, black plush		1
2	1446522	Cover SW49, black plush		1
2	1508865	Cover SW39, dartex grey		1
2	1508866	Cover SW44, dartex grey		1
2	1508867	Cover SW49, dartex grey		1

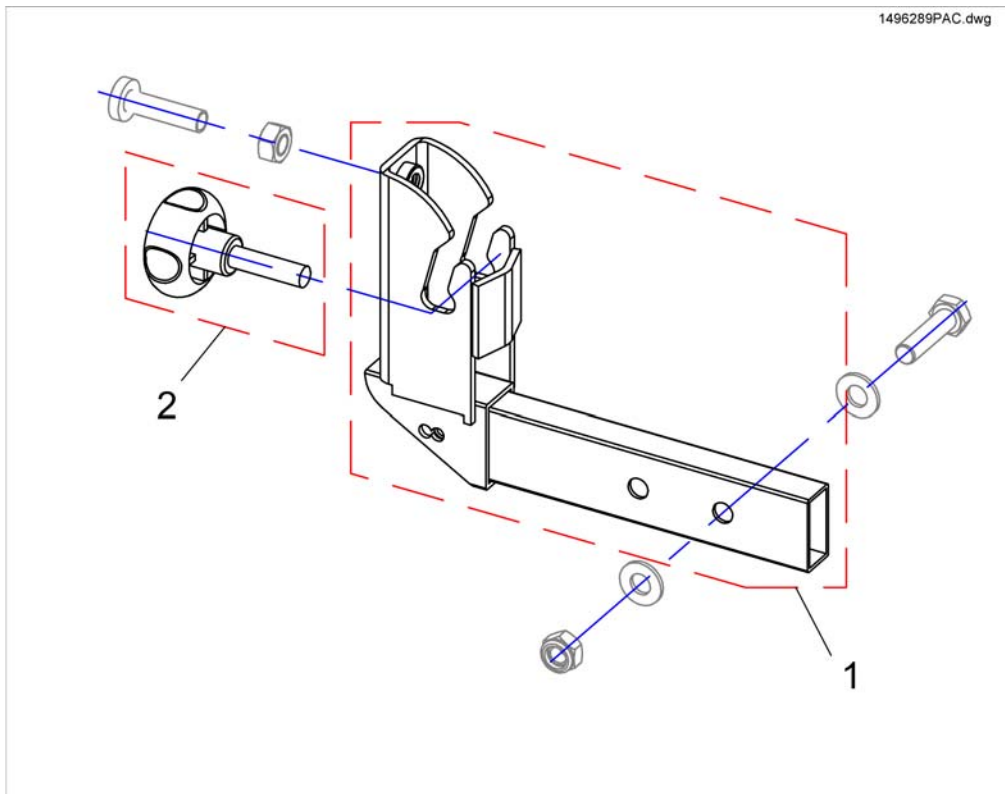
Backrest for Firm Seat

1572095.iss



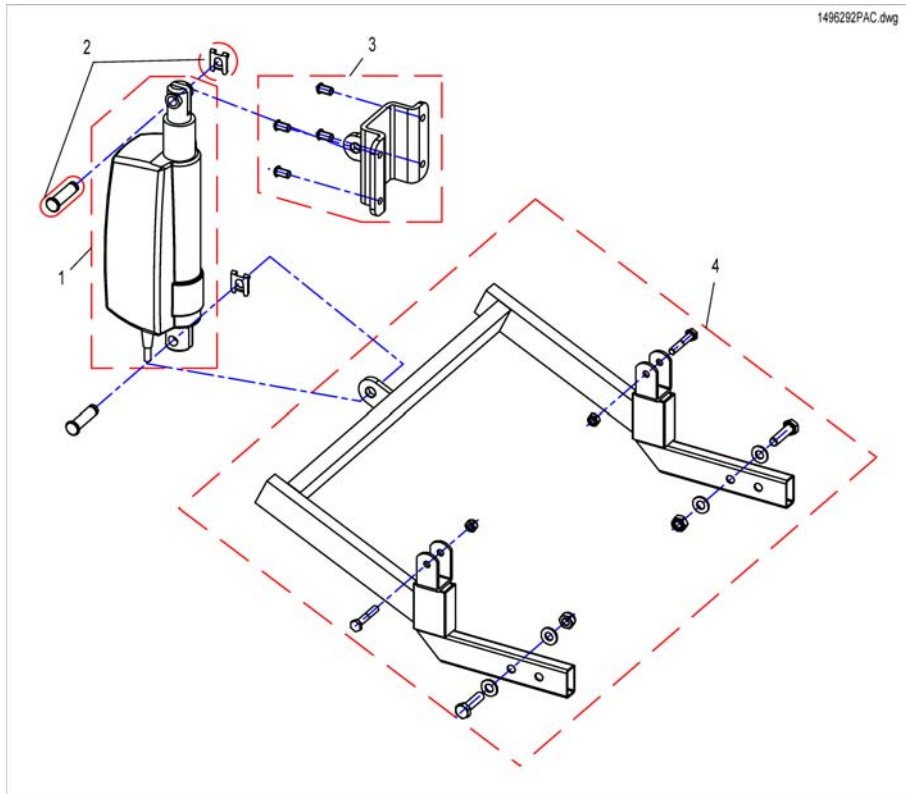
Pos.	Part number	Description	Valid from → until	Qty
1	-	Backrest Recliner, manual, Padded Back [0958]		1
2	-	Backrest Recliner, powered, Padded Back [0947]		1
3	-	Backposts for Padded Back, manual		1
4	-	Backposts for Padded Back, powered		1
5	-	Flangeless Backpost		1
6	-	Backposts for tension adjustable		1
7	-	Padded Back		1
8	-	Tension adjustable		1

Backrest Recliner, manual, Padded Back



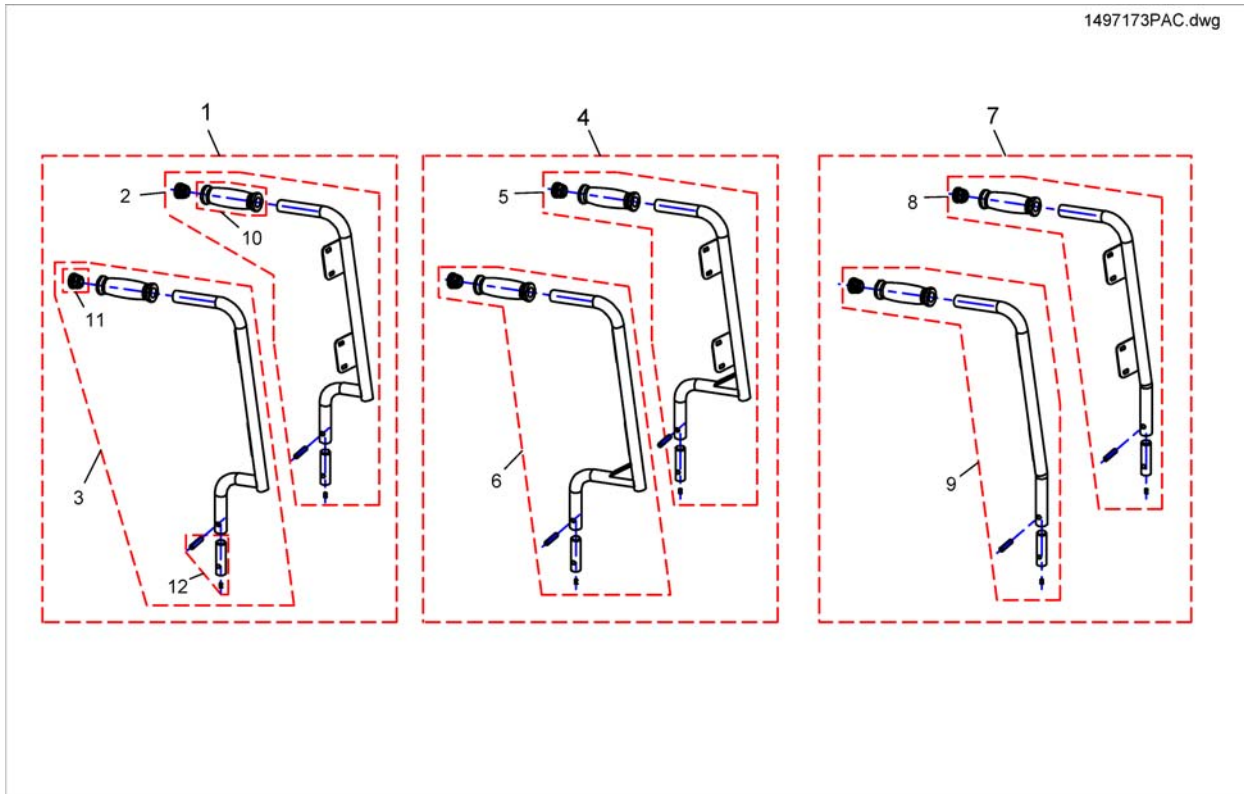
Pos.	Part number	Description	Valid from → until	Qty
1	29000108	Backrest Support Black		1
2	90288161	Handwheel M8 X 30 73240		1

Backrest Recliner, powered, Padded Back



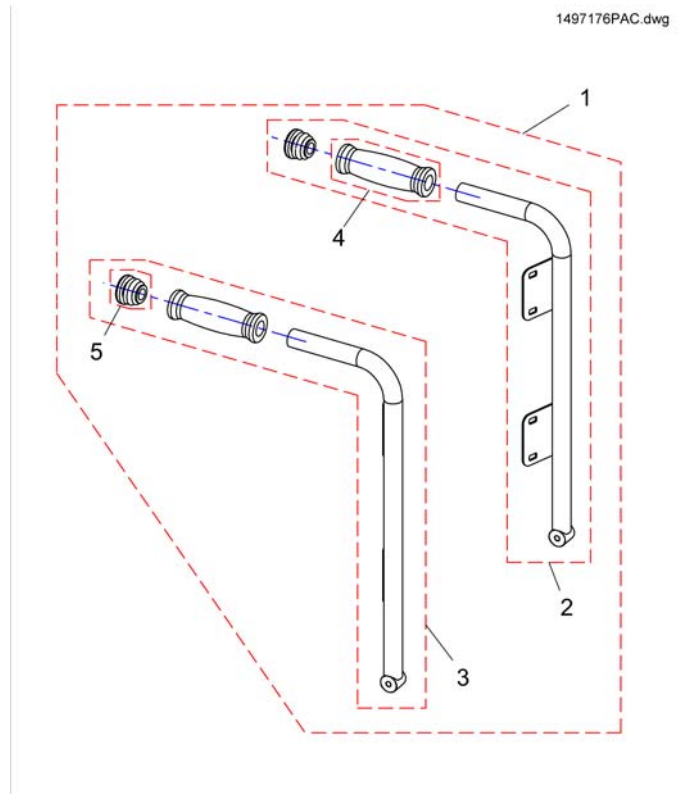
Pos.	Part number	Description	Valid from → until	Qty
1	SP1558020	Actuator (ACS, ACS2, Shark)		1
1	SP1558021	Actuator (R-Net, VR2)		1
2	SP1528368	Mounting-Kit		1
3	SP1528381	Bracket Actuator		1
4	SP1528382	Backpost Bracket SW33		1
4	SP1528383	Backpost Bracket SW38		1
4	SP1528384	Backpost Bracket SW43		1

Backposts for Padded Back, manual



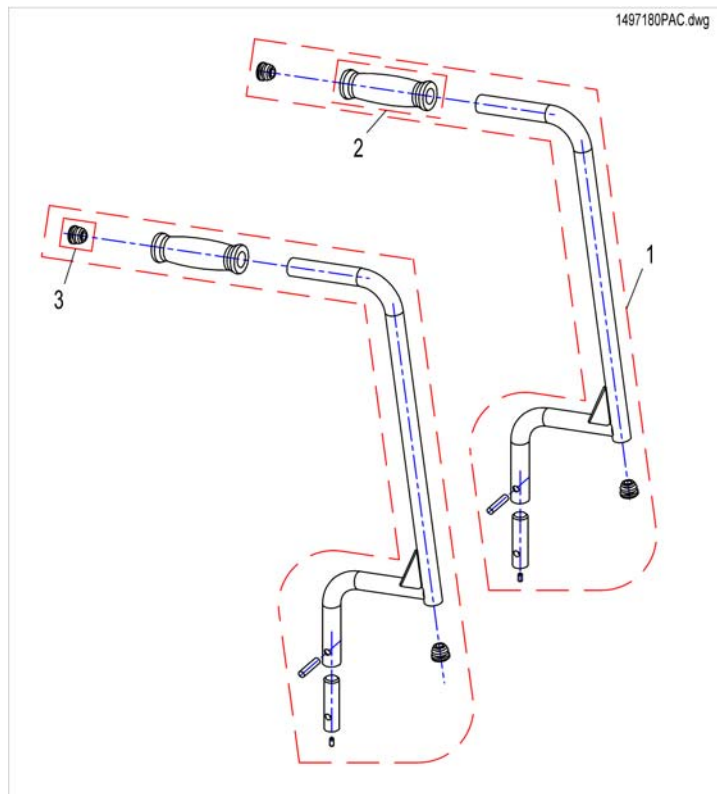
Pos.	Part number	Description	Valid from → until	Qty
1	SP1497174	Backposts LH/RH, SD 35/38cm		1
2	SP1528347	Backpost LH SD 35/38 cm		1
3	SP1528348	Backpost RH SD 35/38 cm		1
4	SP1497173	Backposts LH/RH, SD 30/33cm		1
5	SP1528349	Backpost LH SD 30/33 cm		1
6	SP1528350	Backpost RH SD 30/33 cm		1
7	SP1497175	Backposts LH/RH, SD 44/48cm		1
8	SP1528351	Backpost LH SD 44/48 cm		1
9	SP1528352	Backpost RH SD 44/48 cm		1
10	1435421	Handle plastic black Ø22 "Invacare"		1
11	L01008	Tube End Plug SI 22		2
12	SP1528353	Mounting-Kit		1

Backposts for Padded Back, powered

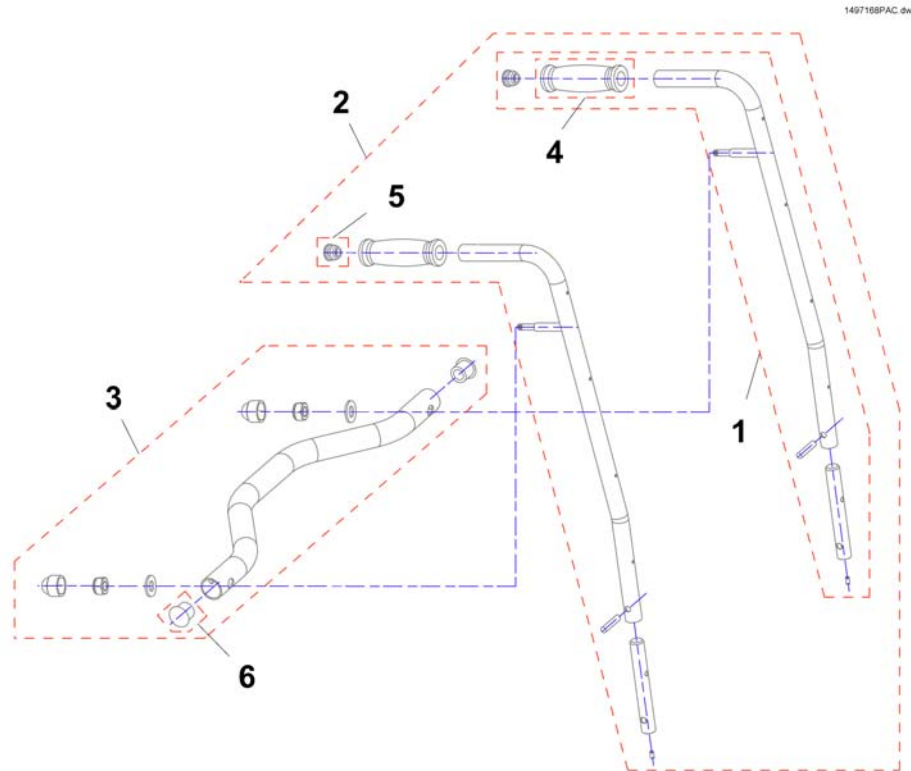


Pos.	Part number	Description	Valid from → until	Qty
1	SP1497176	Backposts LH/RH SD 44/48cm, powered		1
2	SP1528366	Backpost LH SD 44/48 cm		1
3	SP1528367	Backpost RH SD 44/48 cm		1
4	1435421	Handle plastic black Ø22 "Invacare"		1
5	L01008	Tube End Plug SI 22		2

Flangeless Backpost

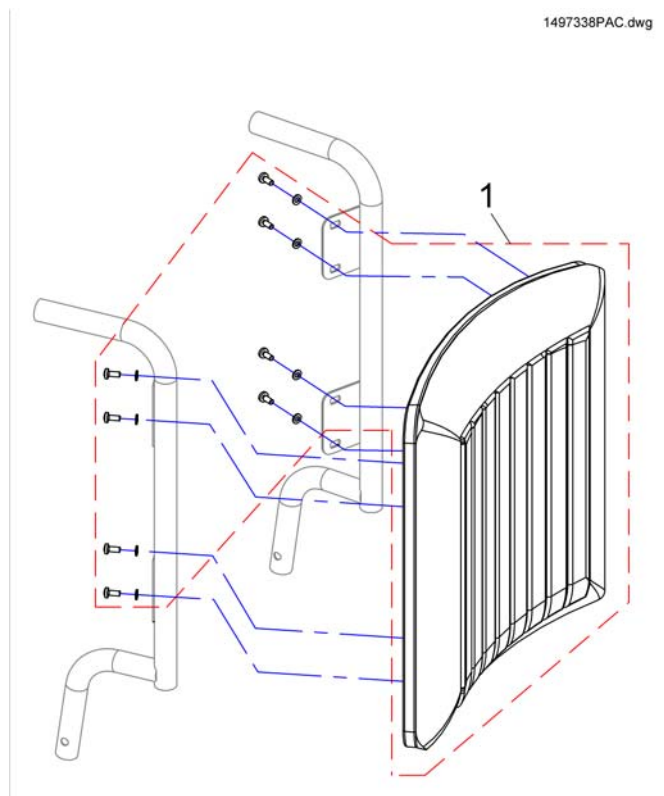


Pos.	Part number	Description	Valid from → until	Qty
1	SP1528399	Backpost SD 30/33 cm		1
1	SP1528400	Backpost SD 35/38 cm		1
1	SP1528401	Backpost SD 44/48 cm		1
2	1435421	Handle plastic black Ø22 "Invacare"		1
3	L01019	End Plug 7/8"		1



Pos.	Part number	Description	Valid from → until	Qty
1	SP1528385	Backpost SD 30/33 cm		1
1	SP1528386	Backpost SD 35/38 cm		1
1	SP1528387	Backpost SD 44/48 cm		1
2	SP1497166	Backposts SD 30/33cm		1
2	SP1497167	Backposts SD 35/38cm		1
2	SP1497168	Backposts SD 44/48cm		1
3	SP1497169	Crossbar SW 33cm		1
3	SP1497170	Crossbar SW 38cm		1
3	SP1497171	Crossbar SW 43cm		1
4	1435421	Handle plastic black Ø22 "Invacare"		1
5	L01019	End Plug 7/8"		1
6	L01049	TUBE END PLUG SL 18		1

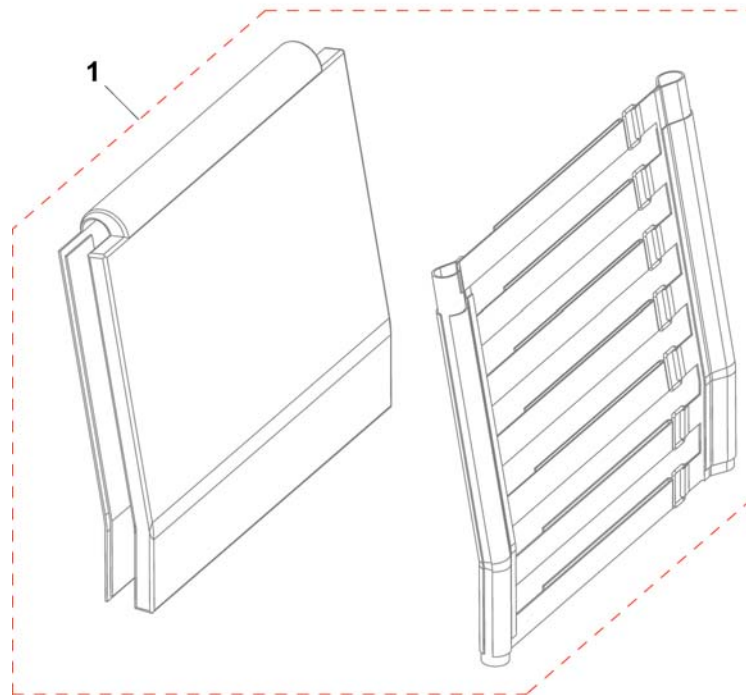
Padded Back



Pos.	Part number	Description	Valid from → until	Qty
1	SP1497333	Padded Back SW33 / H43, black Jemima		1
1	SP1497335	Padded Back SW38 / H43, black Jemima		1
1	SP1497336	Padded Back SW38 / H57, black Jemima		1
1	SP1497337	Padded Back SW43 / H43, black Jemima		1
1	SP1497338	Padded Back SW43 / H57, black Jemima		1
1	SP1497339	Padded Back SW33 / H43, black bird		1
1	SP1497350	Padded Back SW38 / H43, black bird		1
1	SP1497351	Padded Back SW38 / H57, black bird		1
1	SP1497352	Padded Back SW43 / H43, black bird		1
1	SP1497362	Padded Back SW43 / H57, black bird		1

Tension adjustable

1572096.dwg

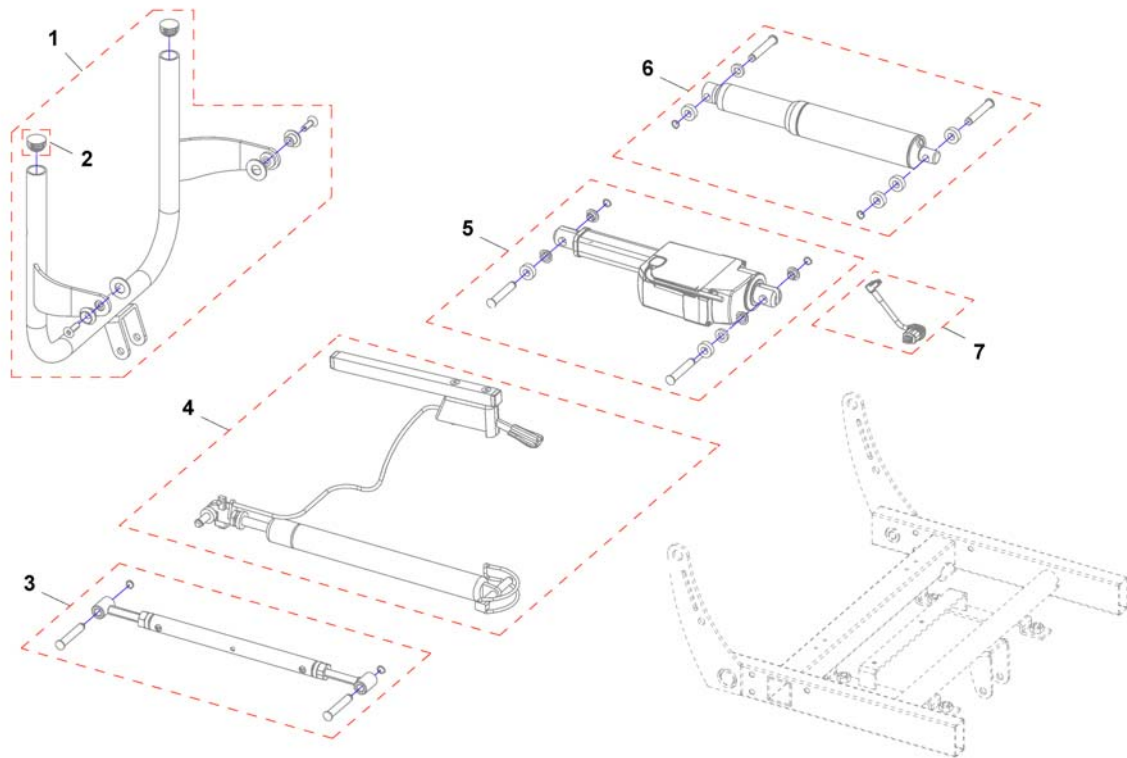


Pos.	Part number	Description	Valid from → until	Qty
1	SP1496979	Sling Back with Backrest upholstery SW33 cm		1
1	SP1497038	Sling Back with Backrest upholstery SW38 cm		1
1	SP1497144	Sling Back with Backrest upholstery SW43 cm		1

Backrest for Max Seat

Pos.	Part number	Description	Valid from → until	Qty
-		Backrest Recliner		1
-		Backrest Max-Seat		1

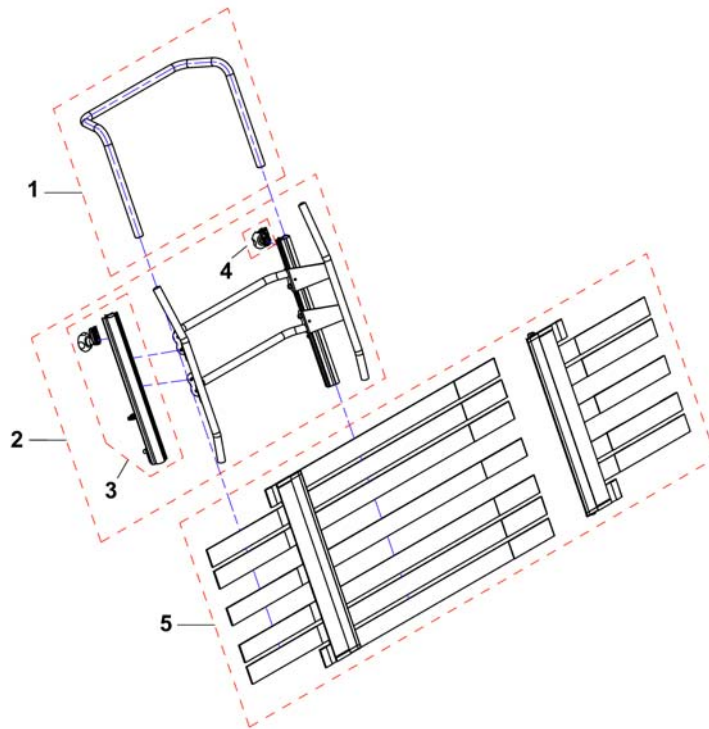
Backrest Recliner



Pos.	Part number	Description	Valid from → until	Qty
1	SP1551684	Backrest Support Flex2, SW 55 cm (with and without lifter)		1
2	L01008	Tube End Plug SI 22		1
3	SP1531270	Backrest adjustment, manual [0959]		1
4	SP1552566	Backrest adjustment, pneumatic		1
5	SP1552547	Backrest adjustment, LA23 powered, 30° [0947]	2011-11-09 →	1
6	SP1531268	Backrest adjustment, powered ACS2 [0947+ACS]	→ 2011-11-08	1
6	SP1531269	Backrest adjustment, powered R-NET [0947+R-NET]	→ 2011-11-08	1
7	SP1556449	Actuator Cable LA23 ACS2 (~400mm) [0947+ACS]	2011-11-09 →	1
7	SP1556448	Actuator Cable LA23 R-NET (~500mm) [0947+R-NET]	2011-11-09 →	1

Backrest Max-Seat

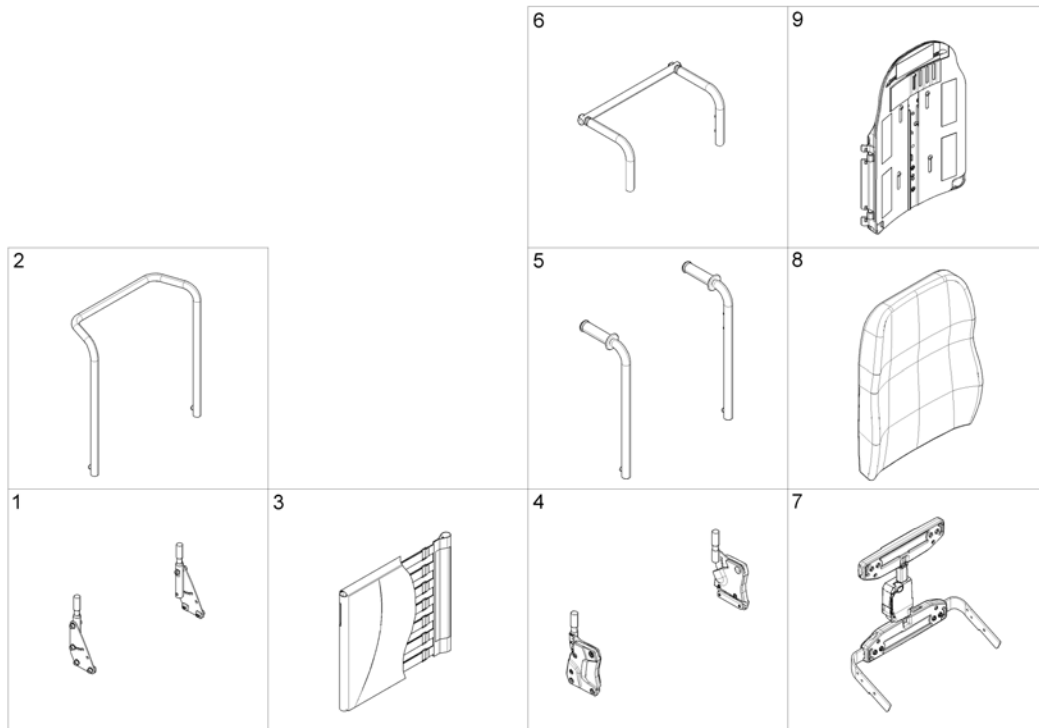
1526824X.dwg



Pos.	Part number	Description	Valid from → until	Qty
1	SP1543081	Support tube, SW55		1
2	SP1526824	Backrest frame, cpl., SW55		1
3	1445848	Backrest Rail, cpl.		1
4	5253088	Fixation block		1
5	SP1526308	Backrest, tension adjustable, SW 55 - 61cm		1
-	1526459	Backrest upholstery SW 55 cm		1

Backrest for Modulite Seat

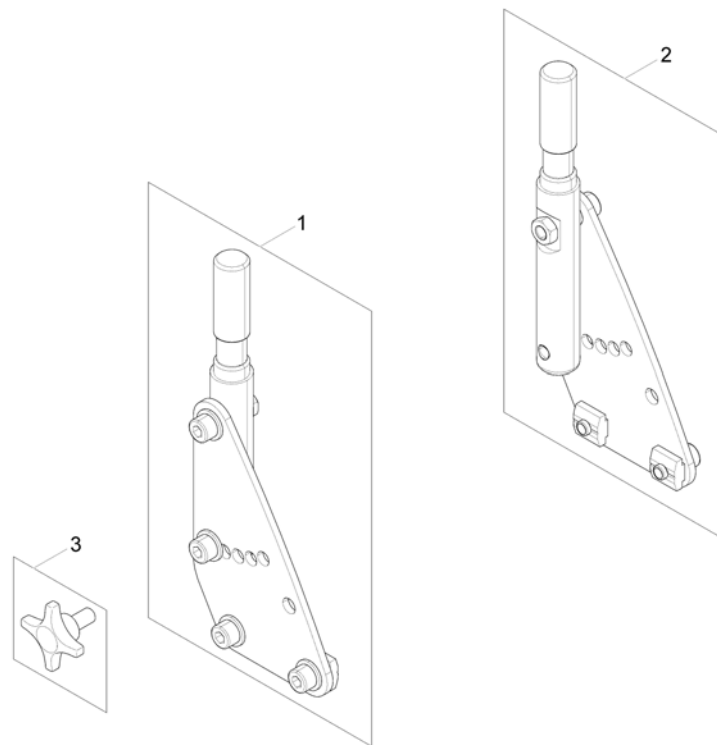
1572325-00



Pos.	Part number	Description	Valid from → until	Qty
1	-	Support for Backrest Frame <i>[0975+2161]</i>		1
2	-	Backrest Frame <i>[2161]</i>		1
3	-	Sling Back, tension adjustable <i>[2171]</i>		1
4	-	Backrest support		1
5	-	Backposts <i>[2162/2163]</i>		1
6	-	Connection tube		1
7	-	Back Recliner / Stabilization bracket		1
8	-	Backrest Cushion		1
9	-	Flex3 adjustable Backrest Plate <i>[2172/2173]</i>		1

Support for Backrest Frame

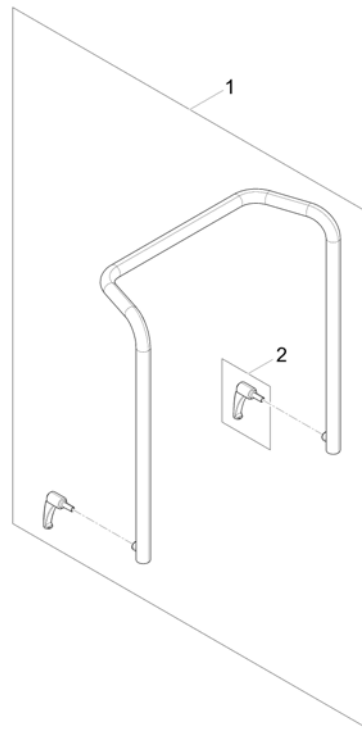
1571553 no



Pos.	Part number	Description	Valid from → until	Qty
1	SP1571542	Backrest Support RH		1
2	SP1571553	Backrest Support LH		1
3	5824117	hand wheel M8x15 <i>(only swedish homologation)</i>		2

Backrest Frame

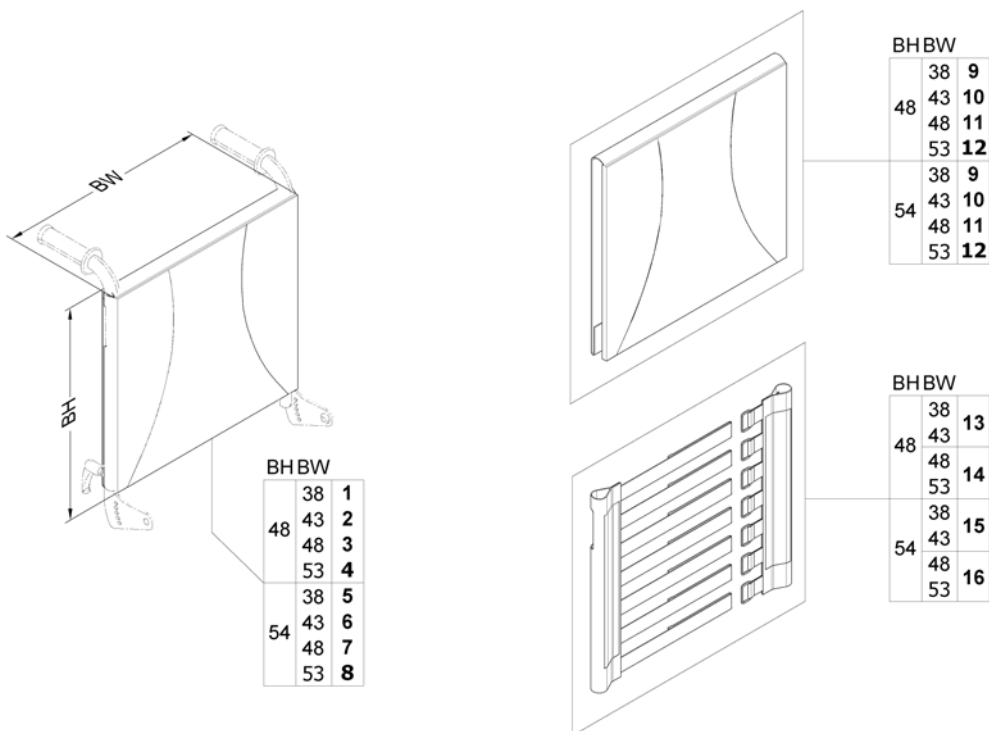
1571831.iss



Pos.	Part number	Description	Valid from → until	Qty
1	SP1567810	Backrest Frame		1
2	0021-70002	Indexable lever 63mm M8x16		1

Sling Back, tension adjustable

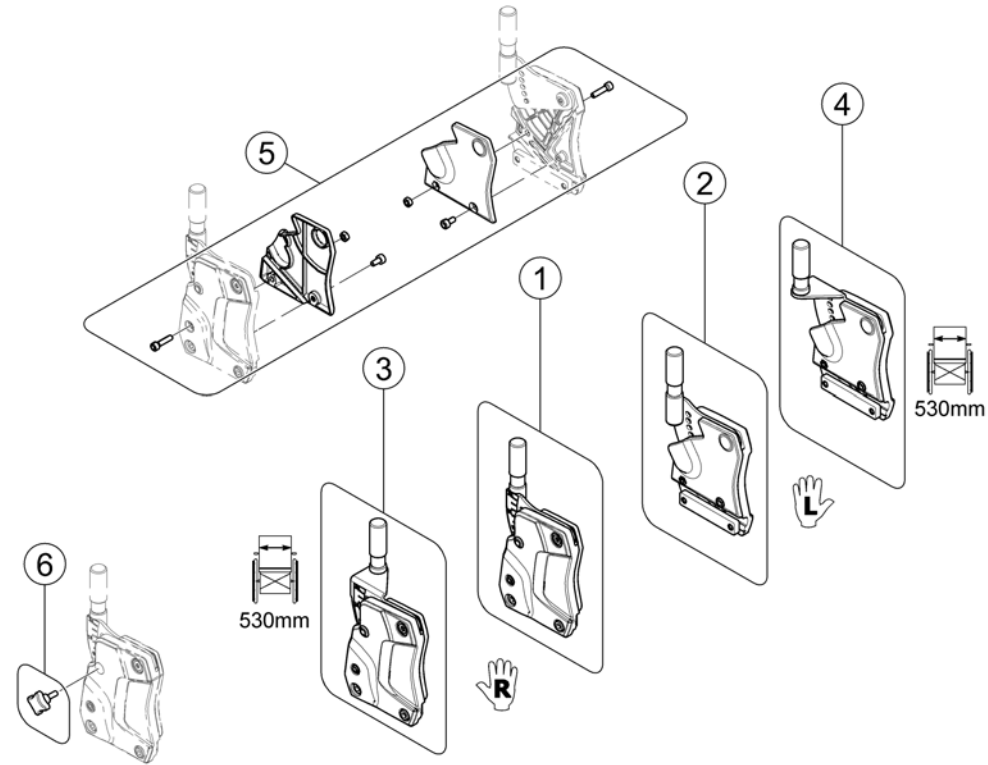
1571829.000



Pos.	Part number	Description	Valid from → until	Qty
1	SP1567529	Sling Back, tension adjustable & Upholstery, BW 380mm / BH 480mm, cpl.		1
2	SP1567465	Sling Back, tension adjustable & upholstery, BW 430mm / BH 480mm, cpl.		1
3	SP1567530	Sling Back, tension adjustable & upholstery, BW 480mm / BH 480mm, cpl.		1
4	SP1567531	Sling Back, tension adjustable & upholstery, BW 530mm / BH 480mm, cpl.		1
5	SP1567627	Sling Back, tension adjustable & upholstery, BW 380mm / BH 540mm, cpl.		1
6	SP1567746	Sling Back, tension adjustable & upholstery, BW 430mm / BH 540mm, cpl.		1
7	SP1567747	Sling Back, tension adjustable & upholstery, BW 480mm / BH 540mm, cpl.		1
8	SP1567748	Sling Back, tension adjustable & upholstery, BW 530mm / BH 540mm, cpl.		1
9	SP1563563	Backrest upholstery		1
10	SP1563653	Backrest upholstery		1
11	SP1563654	Backrest upholstery		1
12	SP1563655	Backrest upholstery		1
13	SP1571492	Sling back		1
14	SP1571493	Sling back		1
15	SP1571494	Sling back		1
16	SP1571510	Sling back		1

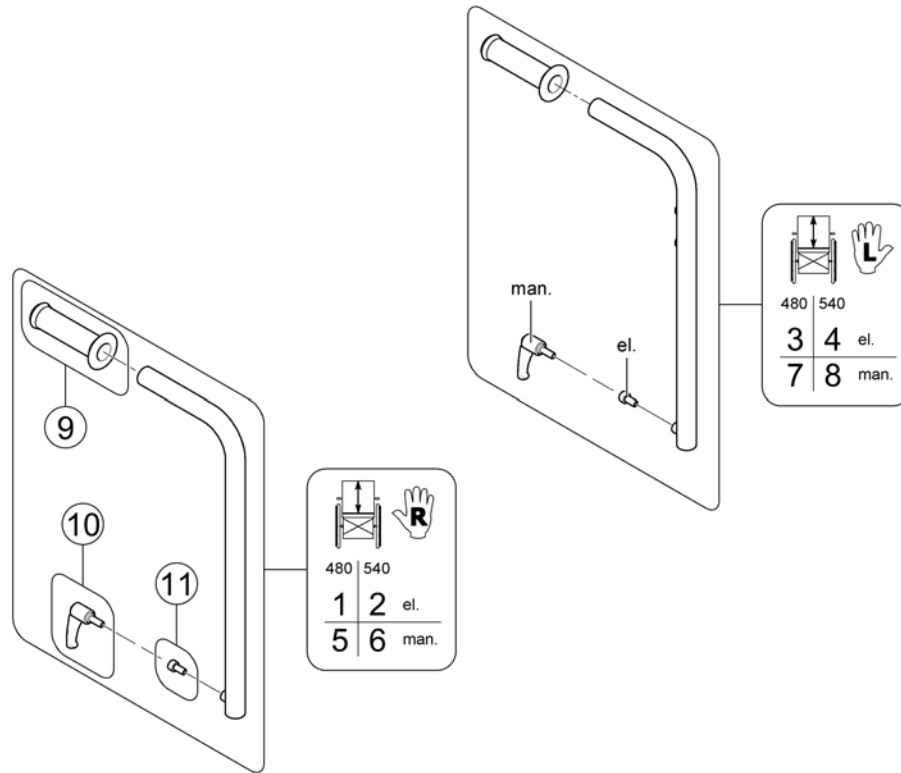
Backrest support

1572928 Rev



Pos.	Part number	Description	Valid from → until	Qty
1	SP1582709	Backrest Support - RH <i>Compatible with Flip-Up & Following Armrest [2193/2192/2194] - replaces SP1571560</i>		1
2	SP1582708	Backrest Support - LH <i>Compatible with Flip-Up & Following Armrest [2193/2192/2194] - replaces SP1571561</i>		1
3	SP1582952	Backrest Support SW 530mm - RH <i>Compatible with Flip-Up & Following Armrest [2193/2192/2194] - replaces SP1571568</i>		1
4	SP1582951	Backrest Support SW 530mm - LH <i>Compatible with Flip-Up & Following Armrest [2193/2192/2194] - replaces SP1571569</i>		1
5	SP1571676	Cover		1
6	SP1579877	Hand Screw M6 <i>(Swedish Homologation only!)</i>		2

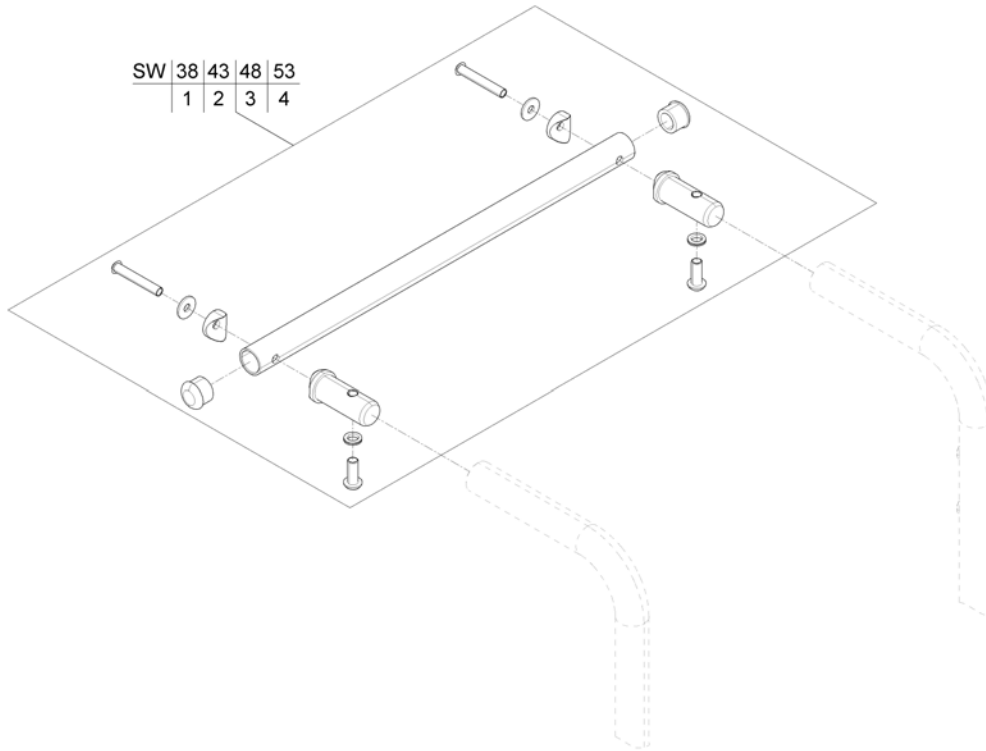
Backposts



Pos.	Part number	Description	Valid from → until	Qty
1	SP1587177	Backpost el. BH 480mm - RH <i>Compatible with Flip-Up & Following Armrest [2193/2192/2194] - replaces SP1563102</i>		1
2	SP1587184	Backpost el. BH 540mm - RH <i>Compatible with Flip-Up & Following Armrest [2193/2192/2194] - replaces SP1563103</i>		1
3	SP1587176	Backpost el. BH 480mm - LH <i>Compatible with Flip-Up & Following Armrest [2193/2192/2194] - replaces SP1560576</i>		1
4	SP1587183	Backpost el. BH 540mm - LH <i>Compatible with Flip-Up & Following Armrest [2193/2192/2194] - replaces SP1559578</i>		1
5	SP1587163	Backpost man. BH 480mm - RH <i>Compatible with Flip-Up & Following Armrest [2193/2192/2194] - replaces SP1572489</i>		1
6	SP1587182	Backpost man. BH 540mm - RH <i>Compatible with Flip-Up & Following Armrest [2193/2192/2194] - replaces SP1572490</i>		1
7	SP1587162	Backpost man. BH 480mm - LH <i>Compatible with Flip-Up & Following Armrest [2193/2192/2194] - replaces SP1572491</i>		1
8	SP1587178	Backpost man. BH 540mm - LH <i>Compatible with Flip-Up & Following Armrest [2193/2192/2194] - replaces SP1572492</i>		1
9	SP1563651	Handles (pair)		1
10	0021-70002	Indexable lever 63mm M8x16		1
11	1567999	Bolt M8x16 8.8 black DIN912		1

Connection tube

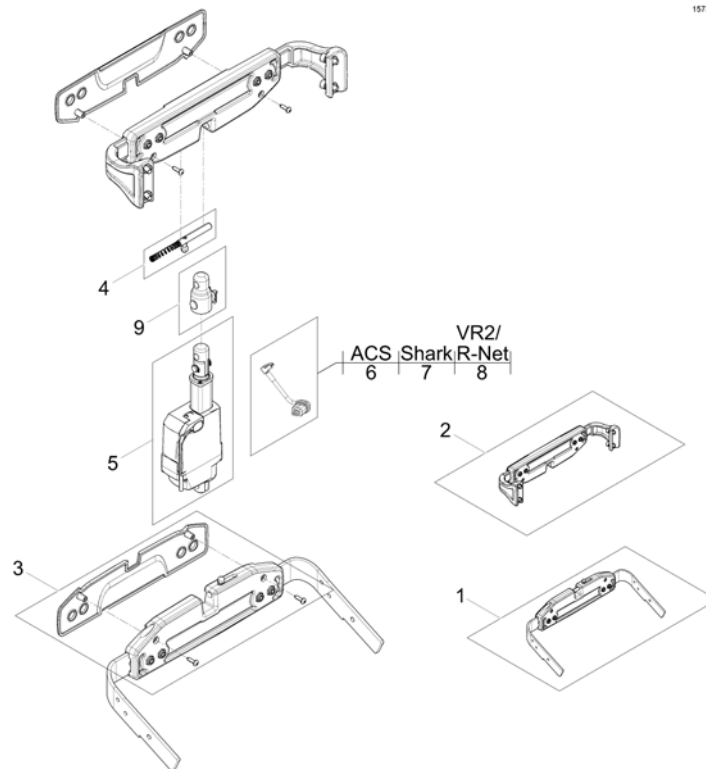
1571835 iso



SW	38	43	48	53
	1	2	3	4

Pos.	Part number	Description	Valid from → until	Qty
1	SP1570370	Connection tube		1
2	SP1570371	Connection tube		1
3	SP1570372	Connection tube		1
4	SP1570373	Connection tube		1

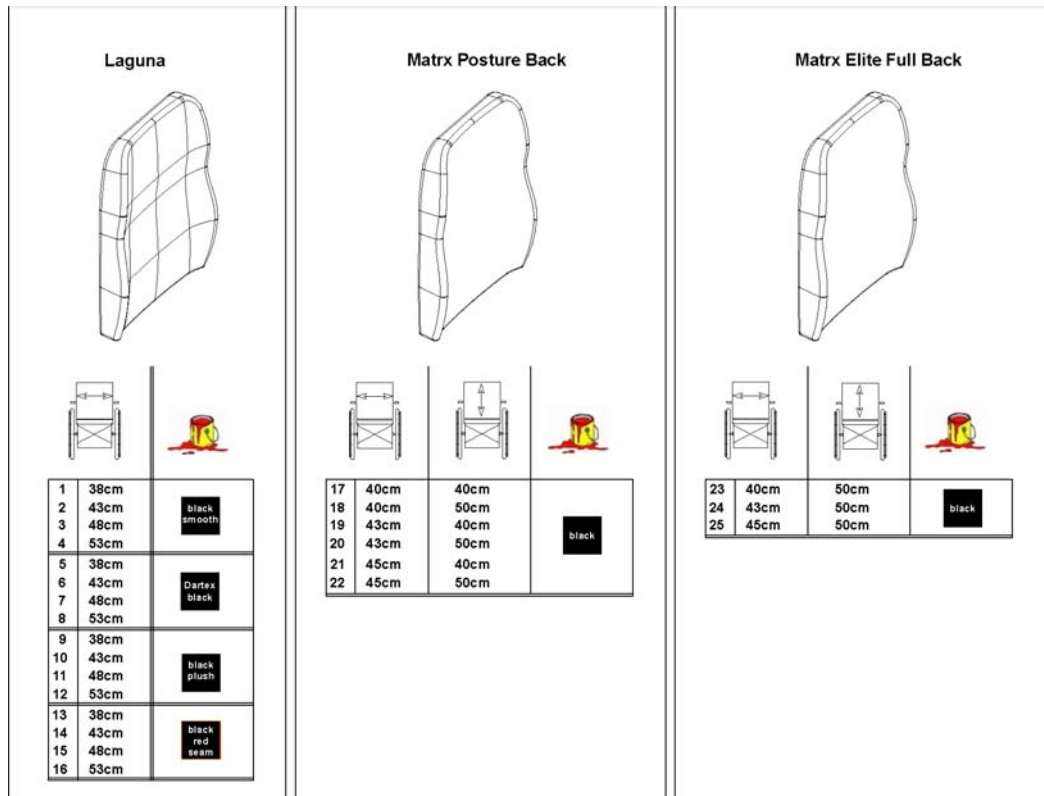
Back Recliner / Stabilization bracket



Pos.	Part number	Description	Valid from → until	Qty
1	SP1567169	Actuator bracket (pre set to SW 43cm)		1
2	SP1567168	Stabilization bracket (pre set to SW 43cm)		1
3	SP1571702	Cover		1
4	SP1571704	Locking bolt		1
5	SP1557820	Actuator		1
6	SP1572166	Actuator Cable LA23 ACS2 (~950mm)		1
7	SP1552297	Actuator Cable LA23 Shark (~500mm)		1
8	SP1561401	Actuator cable R-NET (~1100mm)		1
9	SP1573002	Safety adapter		1

Backrest Cushion

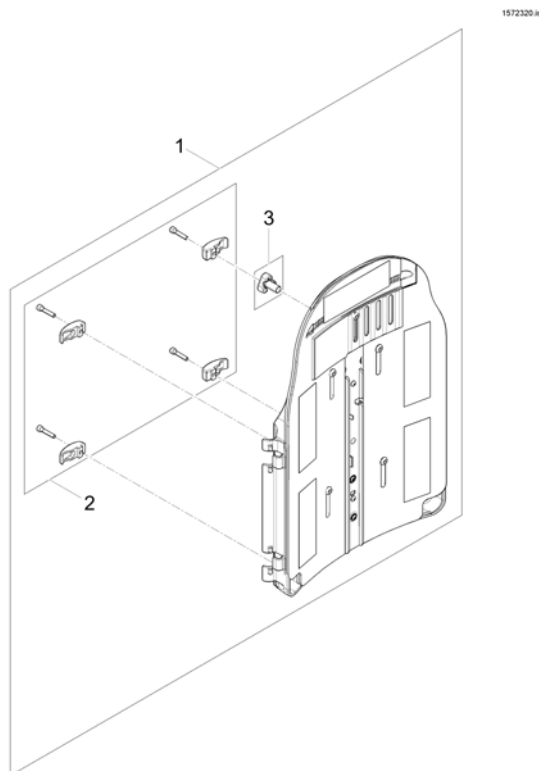
1573106.no



Pos.	Part number	Description	Valid from → until	Qty
1	SP1529585	Backrestcushion Laguna shape, Black, 38cm <i>[2173+2151]</i>		1
2	SP1529586	Backrestcushion Laguna shape, Black, 43cm <i>[2173+2151]</i>		1
3	SP1529587	Backrestcushion Laguna shape, Black, 48cm <i>[2173+2151]</i>		1
4	SP1529596	Backrestcushion Laguna shape, Black, 53cm <i>[2173+2151]</i>		1
5	SP1529538-TR26	Backrest cushion Laguna SW 38 Black Dartex <i>[2173+2152]</i>		1
6	SP1529539-TR26	Backrest cushion Laguna SW 43 Black Dartex <i>[2173+2152]</i>		1
7	SP1529540-TR26	Backrest cushion Laguna SW 48 Black Dartex <i>[2173+2152]</i>		1
8	SP1529545-TR26	Backrest cushion Laguna SW 53 Black Dartex <i>[2173+2152]</i>		1
9	SP1529538-TR35	Backrest cushion Laguna SW 38 Black Plush <i>[2173+2154]</i>		1
10	SP1529539-TR35	Backrest cushion Laguna SW 43 Black Plush <i>[2173+2154]</i>		1
11	SP1529540-TR35	Backrest cushion Laguna SW 48 Black Plush <i>[2173+2154]</i>		1
12	SP1529545-TR35	Backrest cushion Laguna SW 53 Black Plush <i>[2173+2154]</i>		1
13	SP1529538	Backrestcushion Laguna shape, Black with orange seam, 38cm <i>[2173+2153]</i>		1
14	SP1529539	Backrestcushion Laguna shape, Black with orange seam, 43cm <i>[2173+2153]</i>		1
15	SP1529540	Backrestcushion Laguna shape, Black with orange seam, 48cm <i>[2173+2153]</i>		1
16	SP1529545	Backrestcushion Laguna shape, Black with orange seam, 53cm <i>[2173+2153]</i>		1
17	SP1531762	Matrix "Posture Back" Back 40x40cm (16" x 16") <i>[2174]</i>		1
18	SP1531763	Matrix "Posture Back" Back 40x50cm (16" x 20") <i>[2175]</i>		1

Backrest Cushion

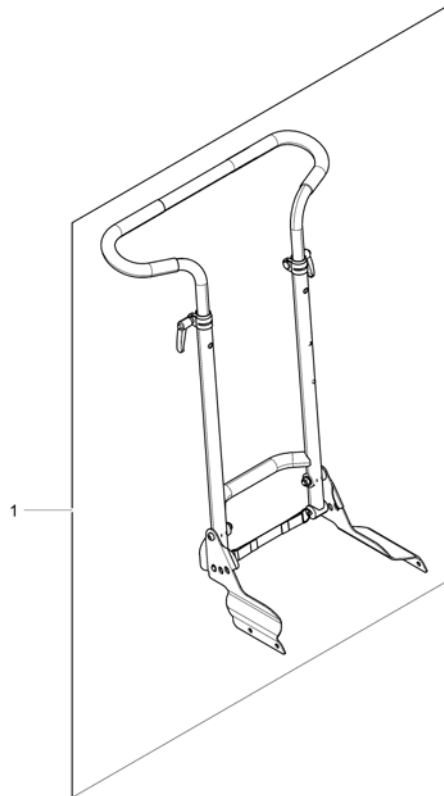
Pos.	Part number	Description	Valid from → until	Qty
19	SP1531792	Matrx "Posture Back" Back 43x40cm (17" x 16") <i>[2174]</i>		1
20	SP1531793	Matrx "Posture Back" Back 43x50cm (17" x 20") <i>[2175]</i>		1
21	SP1531822	Matrx "Posture Back" Back 45x40cm (18" x 16") <i>[2174]</i>		1
22	SP1531823	Matrx "Posture Back" Back 45x50cm (18" x 20") <i>[2175]</i>		1
23	SP1531824	Matrx "Elite Full Back" Back 40x50cm (16" x 20") <i>[2176]</i>		1
24	SP1531831	Matrx "Elite Full Back" Back 43x50cm (17" x 20") <i>[2176]</i>		1
25	SP1531832	Matrx "Elite Full Back" Back 45x50cm (18" x 20") <i>[2176]</i>		1



Pos.	Part number	Description	Valid from → until	Qty
1	SP1568489	Flex3 backrest plate		1
2	SP1572321	Clamps		1
3	1497411	HANDWHEEL M12 LONG NECK/HEADREST		1

Push handle for Leckey Seat (UK only)

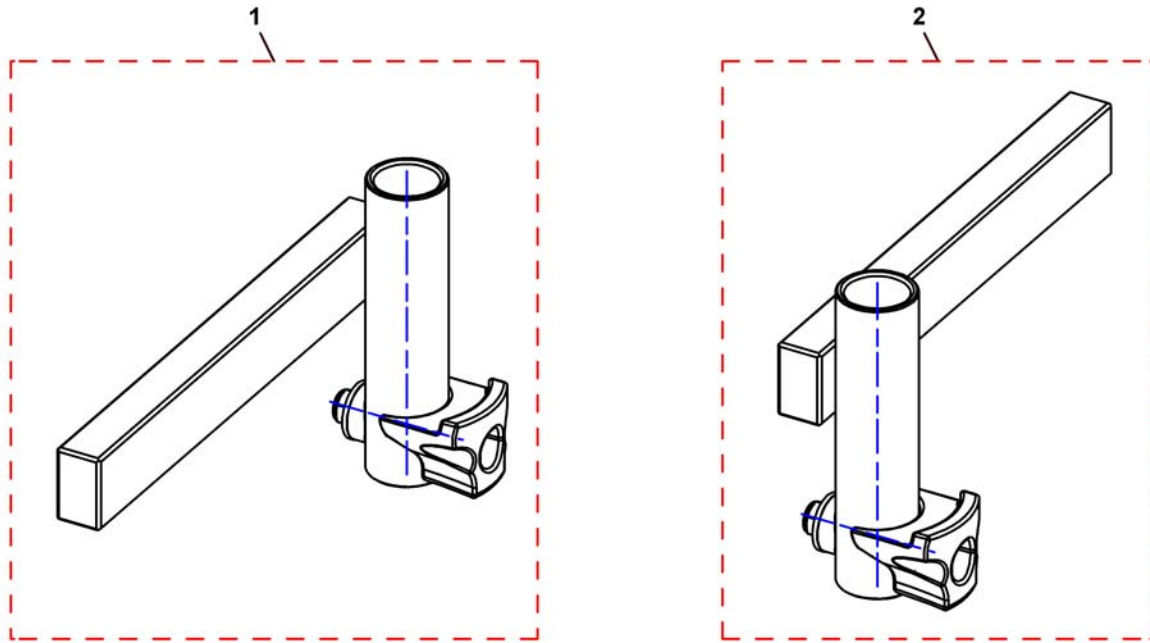
1544884Xiso



Pos.	Part number	Description	Valid from → until	Qty
1	SP1544884	Push handle Leckey seat (UK only)		1

Legrest Support, 80° & man. elevating, Standard-seat

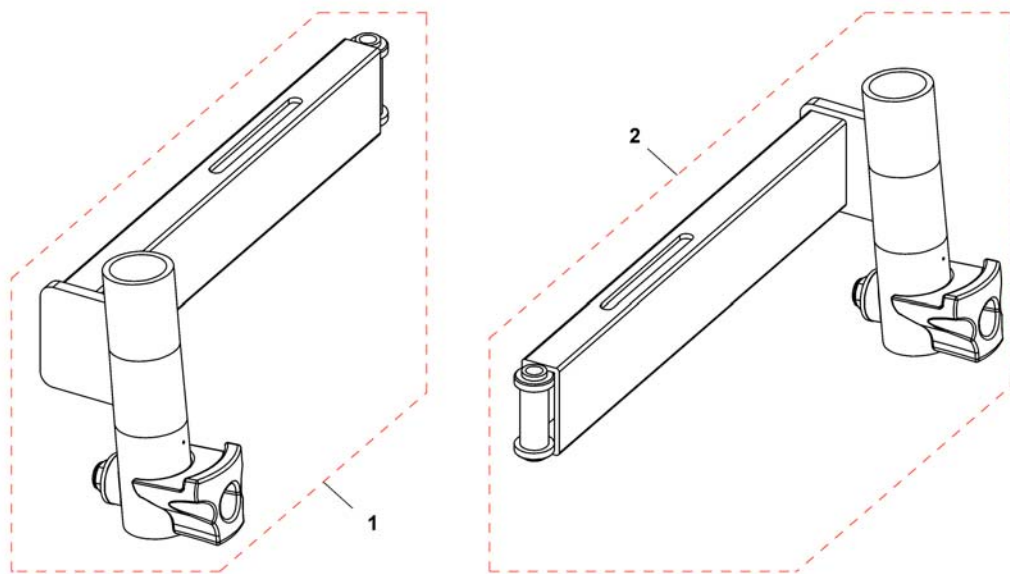
1441526PAC.dwg



Pos.	Part number	Description	Valid from → until	Qty
1	SP1531195	Legrest support LH, cpl. <i>we recommend to exchange the hangers by pairs for products built before 01.01.12, because of new design.</i>		1
2	SP1531196	Legrest support RH, cpl. <i>we recommend to exchange the hangers by pairs for products built before 01.01.12, because of new design.</i>		1

Legrest Support, 80° & man. elevating, Flex2-/Max-Seat

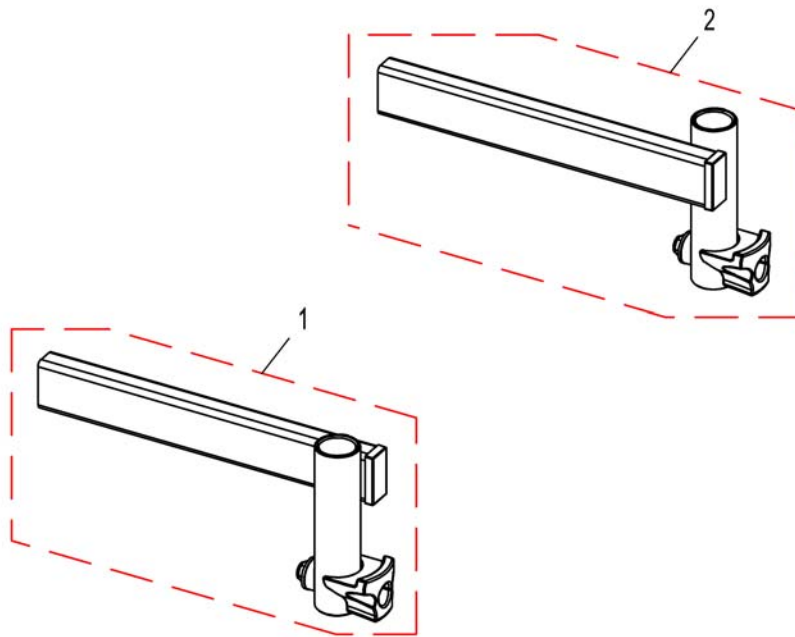
1527089PAC.dwg



Pos.	Part number	Description	Valid from → until	Qty
1	SP1533502	Legrest support RH <i>we recommend to exchange the hangers by pairs for products built before 01.01.12, because of new design.</i>		1
2	SP1533503	Legrest support LH <i>we recommend to exchange the hangers by pairs for products built before 01.01.12, because of new design.</i>		1

Legrest Support, 80° & man. elevating, Firm-Seat

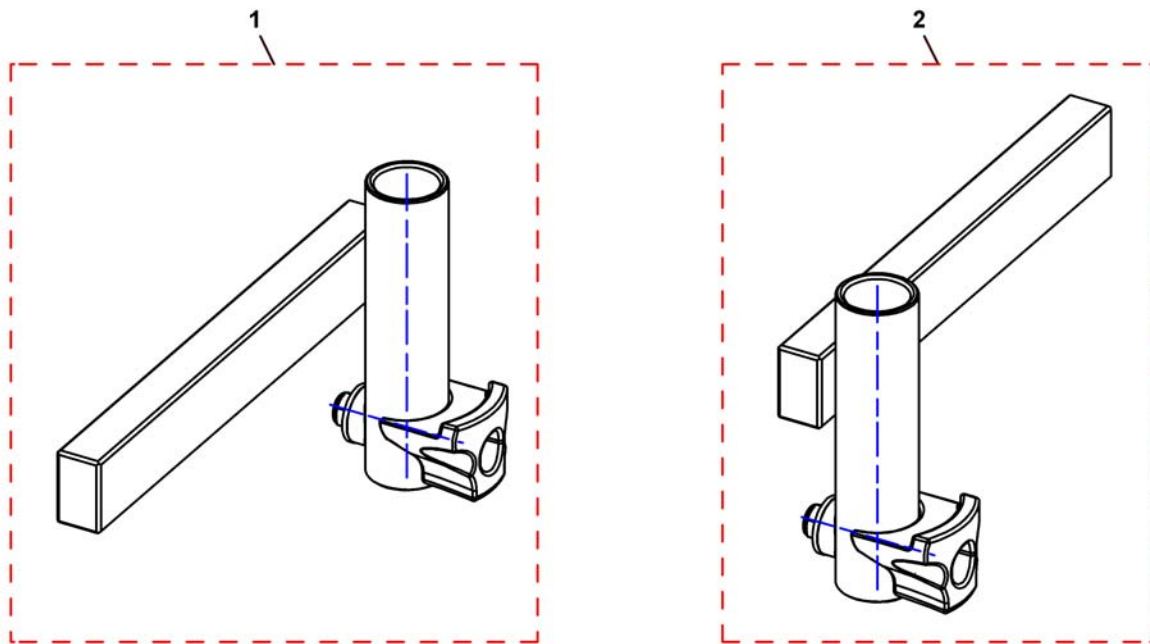
1528081PAC.dwg



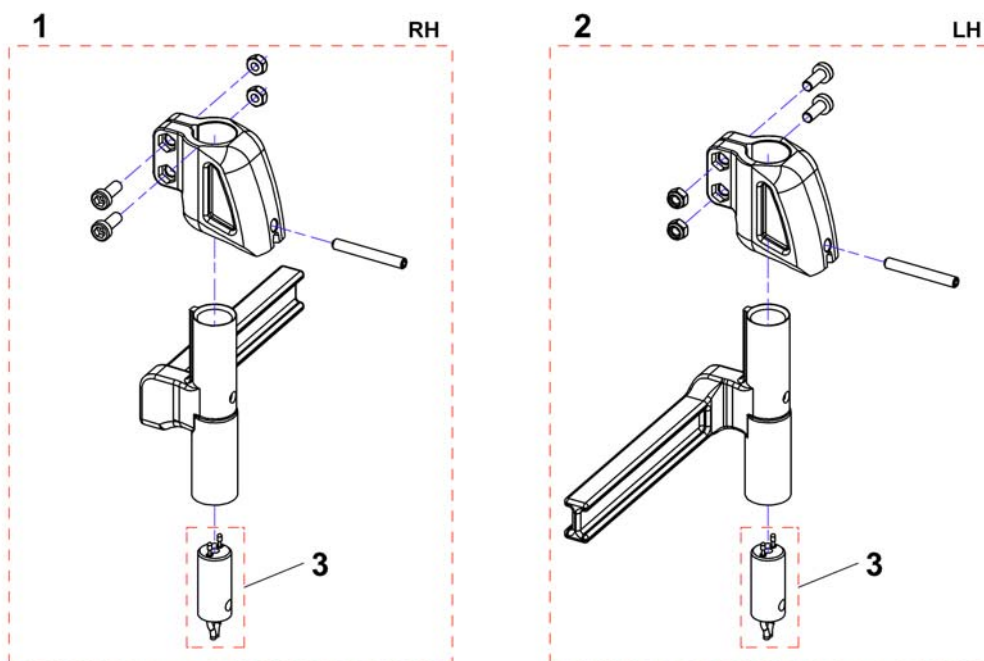
Pos.	Part number	Description	Valid from → until	Qty
1	SP1528061	Legrest Support for 80° Legrest RH		1
2	SP1528062	Legrest Support for 80° Legrest LH		1

Legrest Support, 80° & man. elevating, Modulite Seat

1441526PAC.dwg

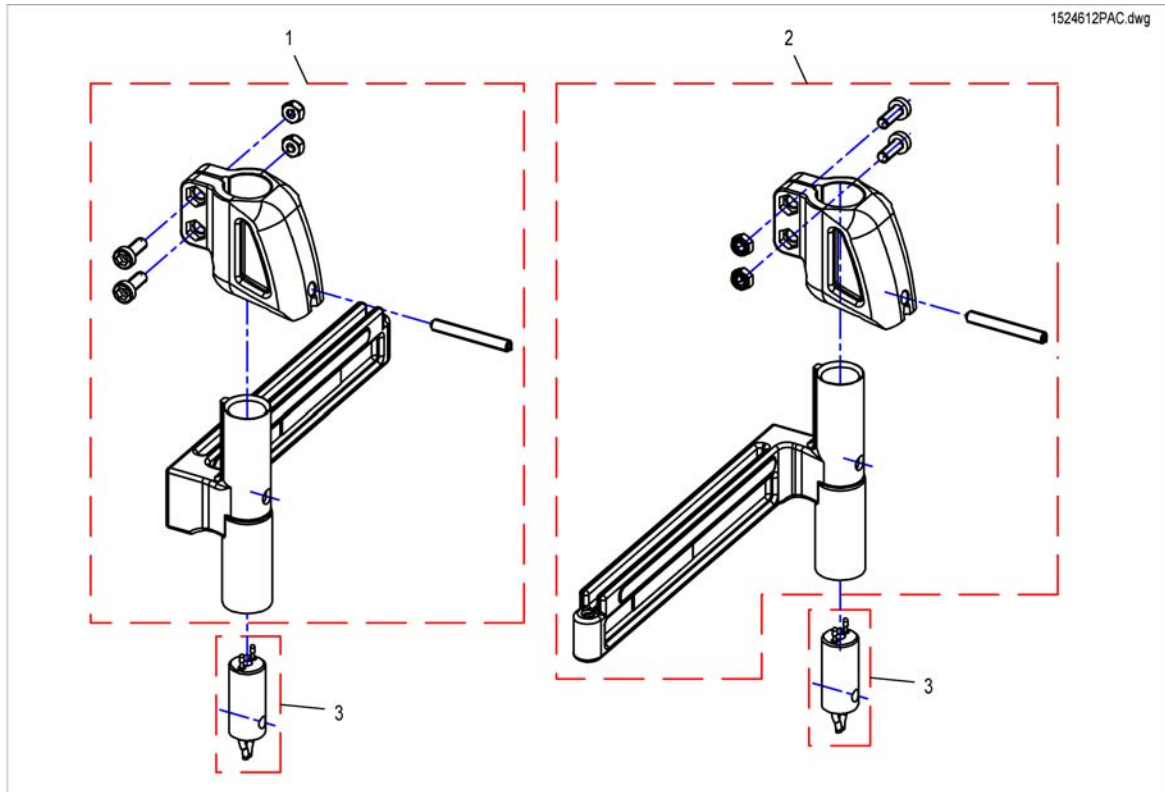


Pos.	Part number	Description	Valid from → until	Qty
1	SP1531195	Legrest support LH, cpl.		1
2	SP1531196	Legrest support RH, cpl.		1

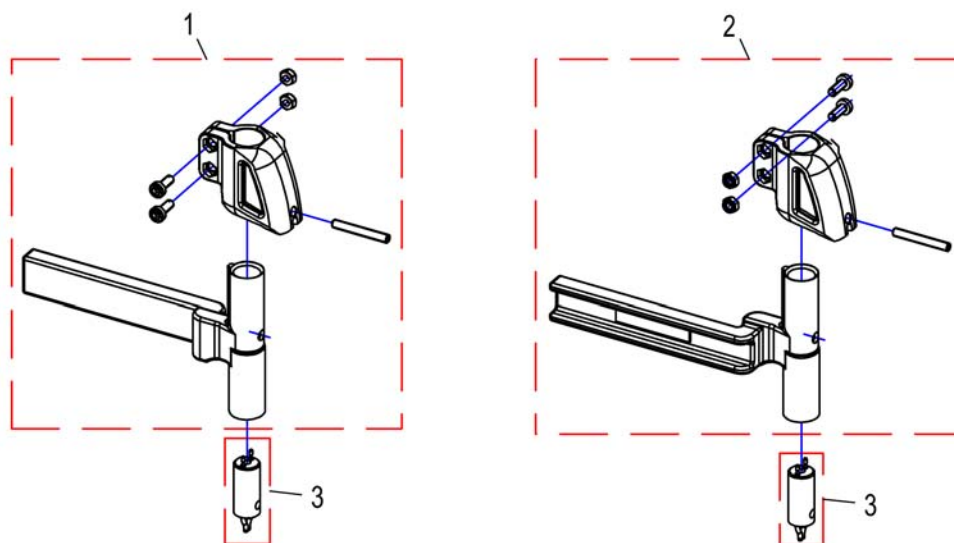


Pos.	Part number	Description	Valid from → until	Qty
1	SP1449732	Footrest/Legrest receptacle, manuell, RH, 5cm		1
1	SP1529949	Footrest/Legrest receptacle, powered, RH, 5cm <i>for ACS</i>		1
1	SP1534878	Footrest/Legrest receptacle, powered, RH, 5cm <i>for R-Net without Lifter</i>		1
1	SP1537397	Footrest/Legrest receptacle, powered, RH, 5cm <i>for R-Net with Lifter</i>		1
2	SP1449733	Footrest/Legrest receptacle, manuell, LH, 5cm		1
2	SP1529951	Footrest/Legrest receptacle, powered, LH, 5cm <i>for ACS</i>		1
2	SP1534879	Footrest/Legrest receptacle, powered, LH, 5cm <i>for R-Net without Lifter</i>		1
2	SP1537398	Footrest/Legrest receptacle, powered, LH, 5cm <i>for R-Net with Lifter</i>		1
3	SP1527775	Power Supply Cable Legrest (650mm) <i>for ACS</i>		1
3	SP1533694	Power Supply Cable Legrest (850mm) <i>for R-Net without Lifter</i>		1
3	SP1450232	Power Supply Cable Legrest (550mm) <i>for R-Net with Lifter</i>		1

Legrest Support, Vari series, Flex2-/Max-Seat



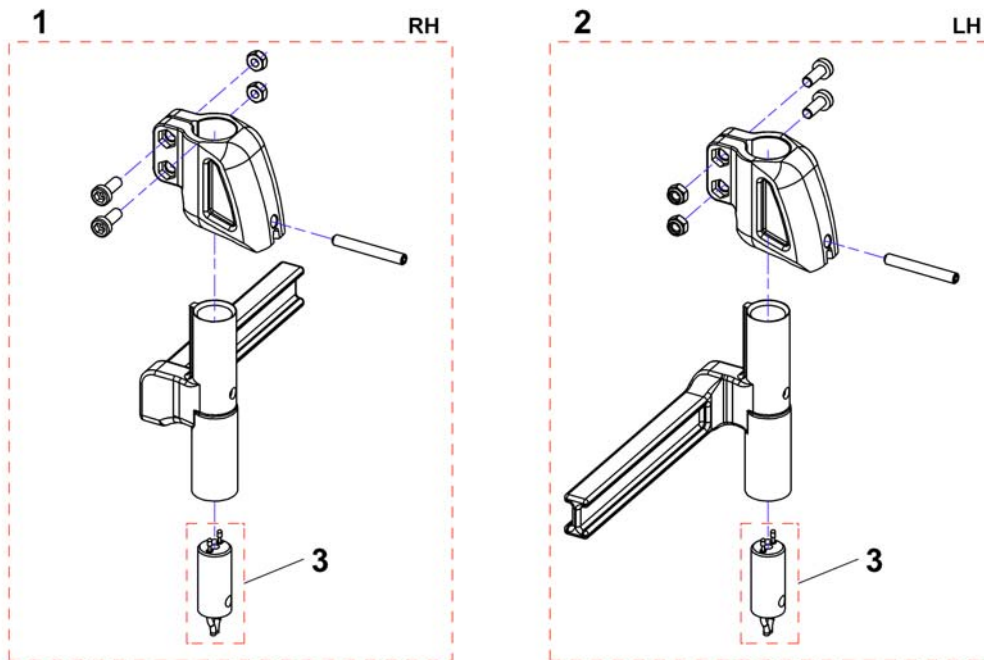
Pos.	Part number	Description	Valid from → until	Qty
1	SP1526910	Footrest/Legrest receptacle, manuell, RH, 5cm <i>Flex2 & MAX</i>		1
1	SP1524612	Footrest/Legrest receptacle, powered, RH, 5cm <i>for ACS, Flex2</i>		1
1	SP1555995	Footrest/Legrest receptacle, powered, RH, 5cm <i>for ACS, MAX</i>		1
1	SP1534880	Footrest/Legrest receptacle, powered, RH, 5cm <i>for R-Net, Flex2 & MAX without Lifter</i>		1
1	SP1537399	Footrest/Legrest receptacle, powered, RH, 5cm <i>for R-Net, Flex2 & MAX with Lifter</i>		1
2	SP1526909	Footrest/Legrest receptacle, manuell, LH, 5cm <i>Flex2 & MAX</i>		1
2	SP1524613	Footrest/Legrest receptacle, powered, LH, 5cm <i>for ACS, Flex2</i>		1
2	SP1555996	Footrest/Legrest receptacle, powered, LH, 5cm <i>for ACS, MAX</i>		1
2	SP1534881	Footrest/Legrest receptacle, powered, LH, 5cm <i>for R-Net, Flex2 & MAX without Lifter</i>		1
2	SP1537400	Footrest/Legrest receptacle, powered, LH, 5cm <i>for R-Net, Flex2 & MAX with Lifter</i>		1
3	SP1527775	Power Supply Cable Legrest (650mm) <i>for ACS, Flex2 RH</i>		1
3	SP1530795	Power Supply Cable Legrest ACS2 (1000mm) <i>for ACS, Max-Seat RH & LH / Flex2 LH</i>		1
3	SP1533694	Power Supply Cable Legrest (850mm) <i>for R-Net without Lifter, RH & LH</i>		1
3	SP1450232	Power Supply Cable Legrest (550mm) <i>for R-Net with Lifter, RH & LH</i>		1



Pos.	Part number	Description	Valid from → until	Qty
1	SP1526912	Footrest/Legrest receptacle, manuell, RH, 5cm		1
1	SP1524616	Footrest/Legrest receptacle, powered, RH, 5cm <i>for ACS</i>		1
1	SP1534947	Footrest/Legrest receptacle, powered, RH, 5cm <i>for R-Net without Lifter</i>		1
1	SP1537401	Footrest/Legrest receptacle, powered, RH, 5cm <i>for R-Net with Lifter</i>		1
2	SP1526911	Footrest/Legrest receptacle, manuell, LH, 5cm		1
2	SP1524617	Footrest/Legrest receptacle, powered, LH, 5cm <i>for ACS</i>		1
2	SP1534950	Footrest/Legrest receptacle, powered, LH, 5cm <i>for R-Net without Lifter</i>		1
2	SP1537402	Footrest/Legrest receptacle, powered, LH, 5cm <i>for R-Net with Lifter</i>		1
3	SP1527775	Power Supply Cable Legrest (650mm) <i>for ACS</i>		1
3	SP1533694	Power Supply Cable Legrest (850mm) <i>for R-Net without Lifter</i>		1
3	SP1450232	Power Supply Cable Legrest (550mm) <i>for R-Net with Lifter</i>		1

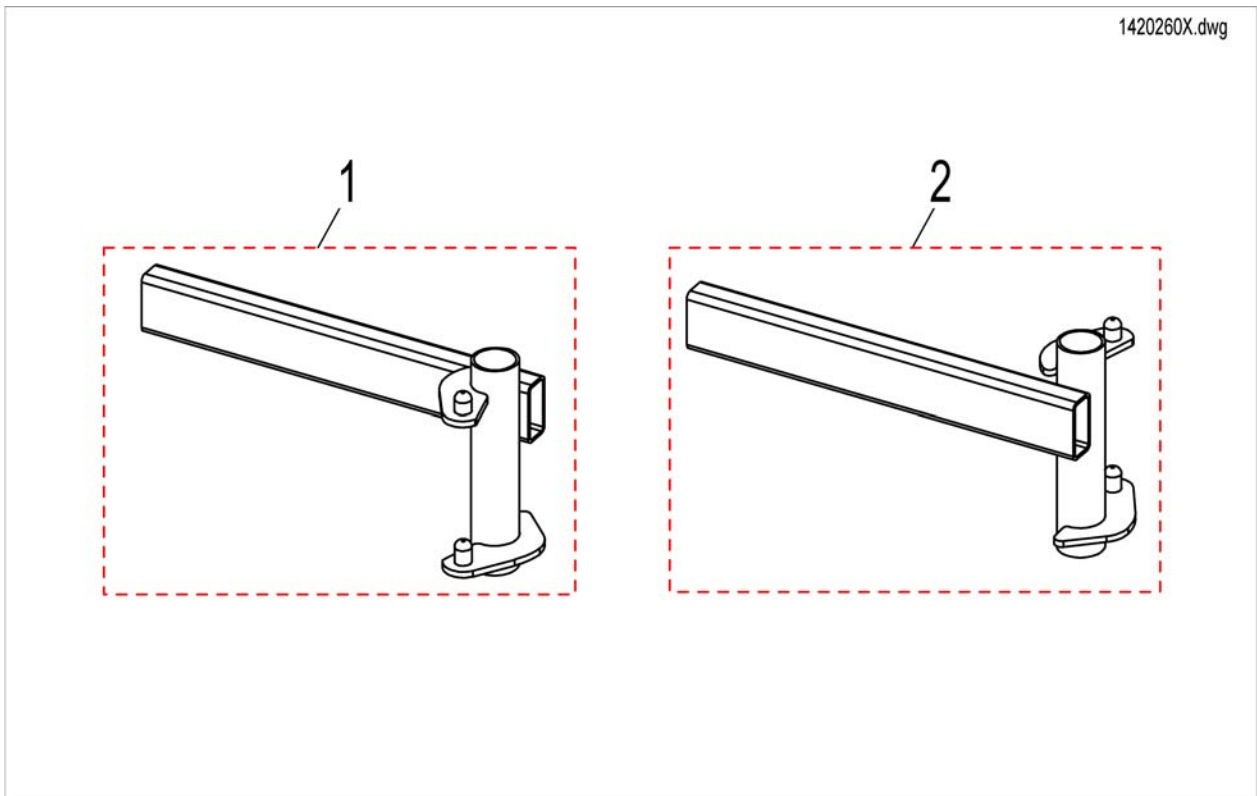
Legrest Support, Vari series, Modulite-Seat

1562379.dwg



Pos.	Part number	Description	Valid from → until	Qty
1	SP1449732	Footrest/Legrest receptacle, manuell, RH, 5cm		1
1	SP1529949	Footrest/Legrest receptacle, powered, RH, 5cm <i>for ACS</i>		1
1	SP1534878	Footrest/Legrest receptacle, powered, RH, 5cm <i>for R-Net without Lifter</i>		1
1	SP1537397	Footrest/Legrest receptacle, powered, RH, 5cm <i>for R-Net with Lifter</i>		1
2	SP1449733	Footrest/Legrest receptacle, manuell, LH, 5cm		1
2	SP1529951	Footrest/Legrest receptacle, powered, LH, 5cm <i>for ACS</i>		1
2	SP1534879	Footrest/Legrest receptacle, powered, LH, 5cm <i>for R-Net without Lifter</i>		1
2	SP1537398	Footrest/Legrest receptacle, powered, LH, 5cm <i>for R-Net with Lifter</i>		1
3	SP1527775	Power Supply Cable Legrest (650mm) <i>for ACS</i>		1
3	SP1533694	Power Supply Cable Legrest (850mm) <i>for R-Net without Lifter</i>		1
3	SP1450232	Power Supply Cable Legrest (550mm) <i>for R-Net with Lifter</i>		1

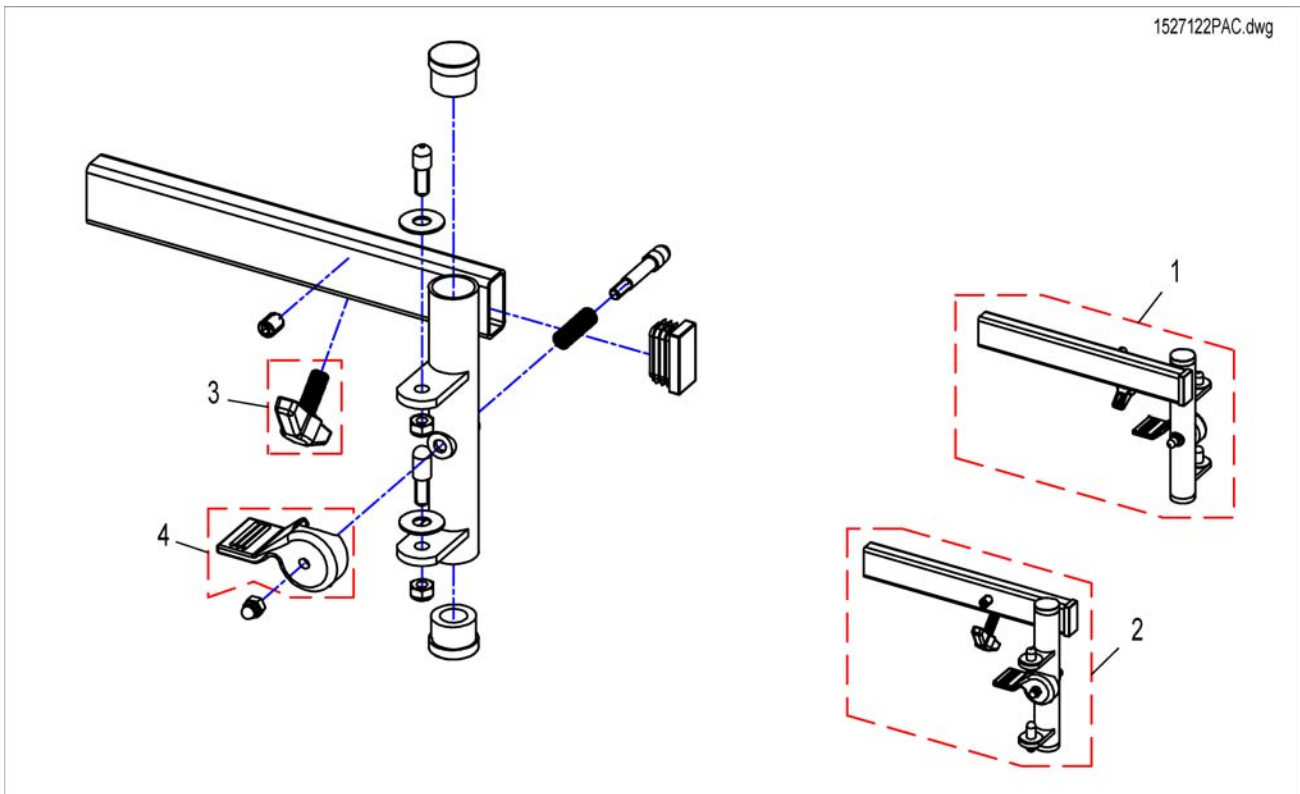
Legrest Support, 70°/90°, Firm-Seat



Pos.	Part number	Description	Valid from → until	Qty
1	SP1420260	Legrest Support for Hanger 70°/90° RH		1
2	SP1420261	Legrest Support for Hanger 70°/90° LH		1

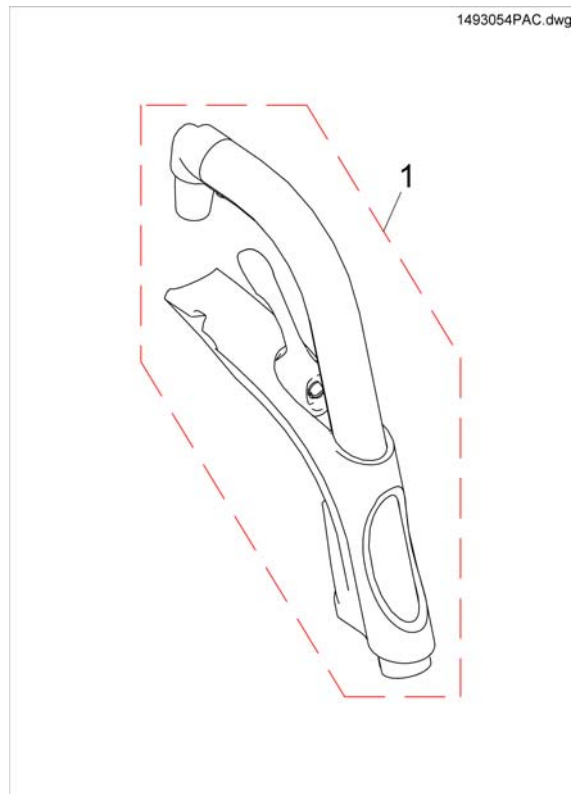
Legrest Support, angle adj., Firm-Seat

1527122PAC.dwg



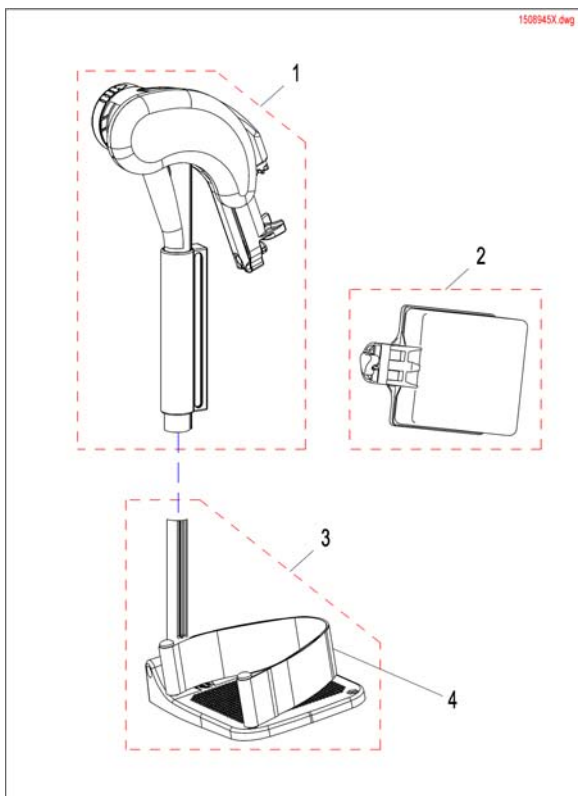
Pos.	Part number	Description	Valid from → until	Qty
1	SP1527124	Legrest support for 80° Legrest LH		1
2	SP1527122	Legrest Support for 80° Legrest RH		1
3	256099	Wing Screw M8 X 20 639		1
4	5006757	RELEASE LEVER - LH		1
4	5006756	RELEASE LEVER - RH		1

Hanger Standard 80°



Pos.	Part number	Description	Valid from → until	Qty
1	SP1493055	Hanger 80°, Fixed		1

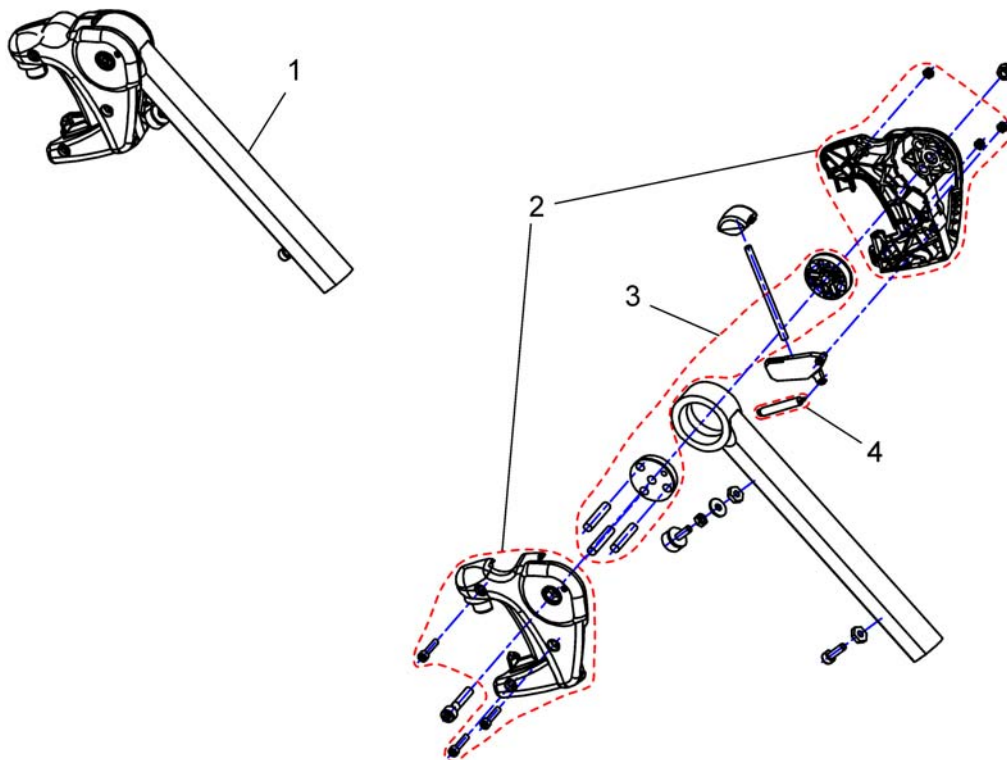
Hanger manually height adjustable



Pos.	Part number	Description	Valid from → until	Qty
1	1513006	Rh elevating legrest with kneepad Dartex		1
1	1513007	Lh elevating legrest with kneepad Dartex		1
2	1516314	Calfpad Cushion, 19", Dartex black		1
2	1518532	Calfpad, 19", Dartex black, cpl.		1
3	SP1442853	Lower Legrest RH With Angle Adjustable Footplate, With Heel Strap. Width		1
3	SP1442854	Lower Legrest LH With Angle Adjustable Footplate, With Heel Strap. Width		1
4	1430402	HEELSTRAP COMPLETE		1

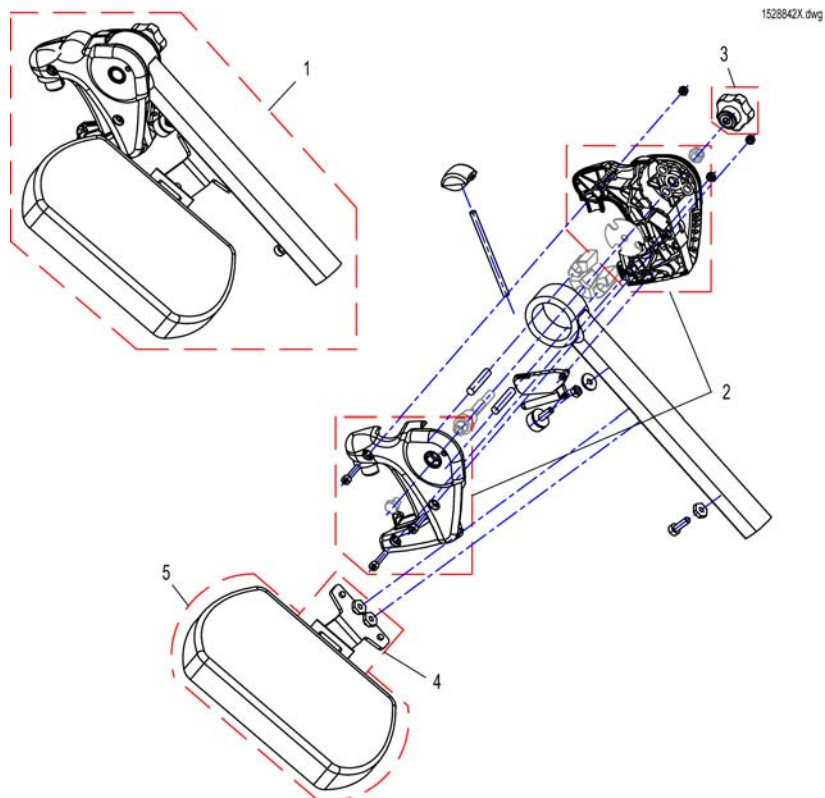
Hangers Vari F LH/RH

144934 / X.dwg



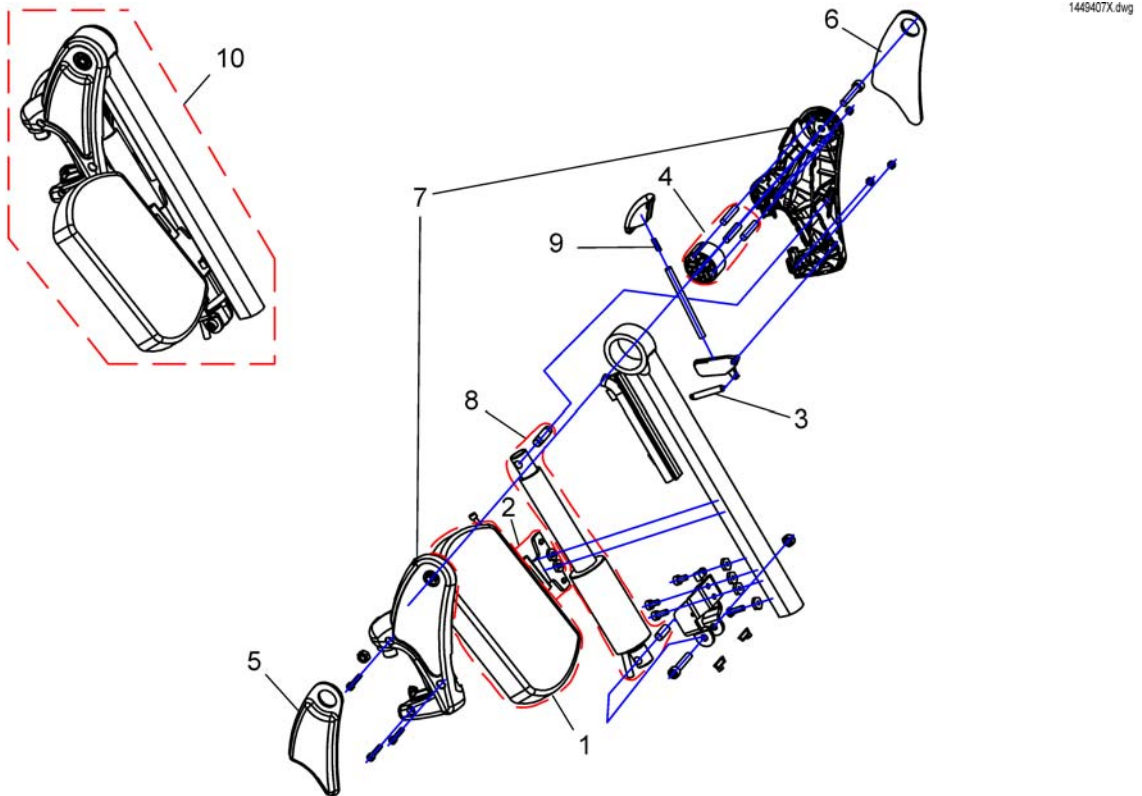
Pos.	Part number	Description	Valid from → until	Qty
1	SP1449347	Hanger Vari F LH cpl.		1
1	SP1449346	Hanger Vari F RH cpl.		1
2	SP1434955	Cover Legrest cpl.		1
3	1434956	Mechanic		1
4	SPZ173178	Spring		1

Hangers Vari A LH/RH 04.2009 =>



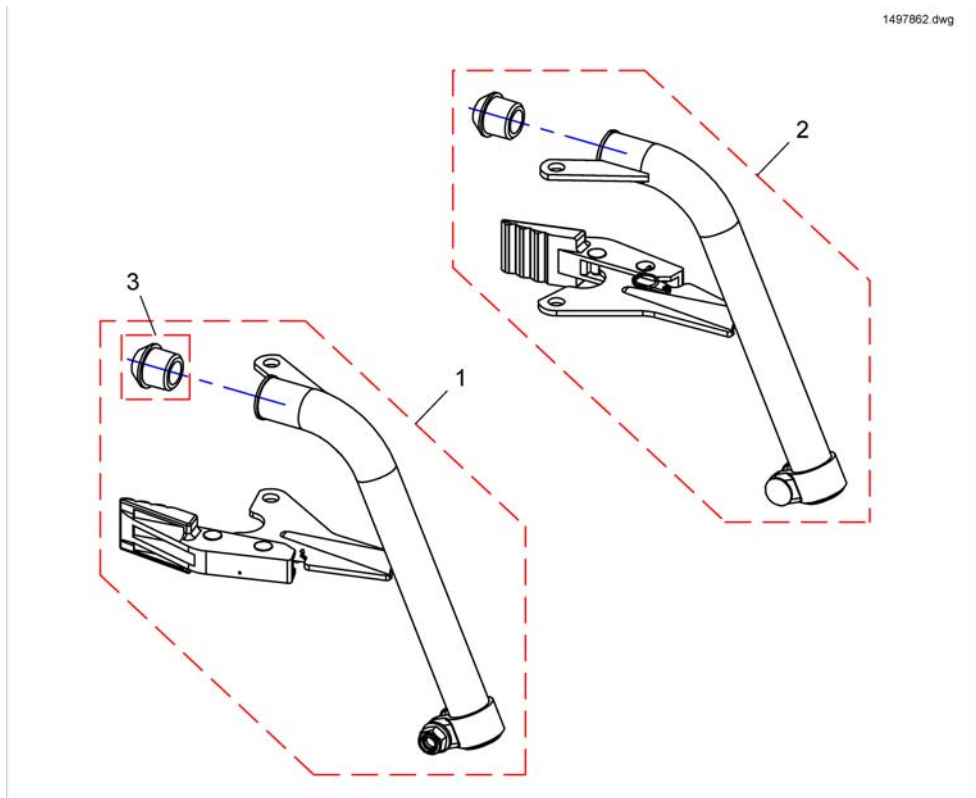
Pos.	Part number	Description	Valid from → until	Qty
-	SP1527820	Rework-Kit Vari A Legrest Version 1 => Version 2 <i>Vari A Version 1 => Version 2 Upgrade Kit</i>		1
1	SP1527498	Hanger Vari A LH, cpl.		1
1	SP1527492	Hanger Vari A RH, cpl.		1
2	SP1434955	Cover Legrest cpl.		1
3	L34011	Handknob M8 Tristarfemale		1
4	SP1450447	Calf Pad Holder Left Turnable, cpl.		1
4	SP1450446	Calf Pad Holder Right Turnable, cpl.		1
5	6301333	Legrest calf pad		1

Hangers ADE/ADP LH/RH electric 07.2005 =>



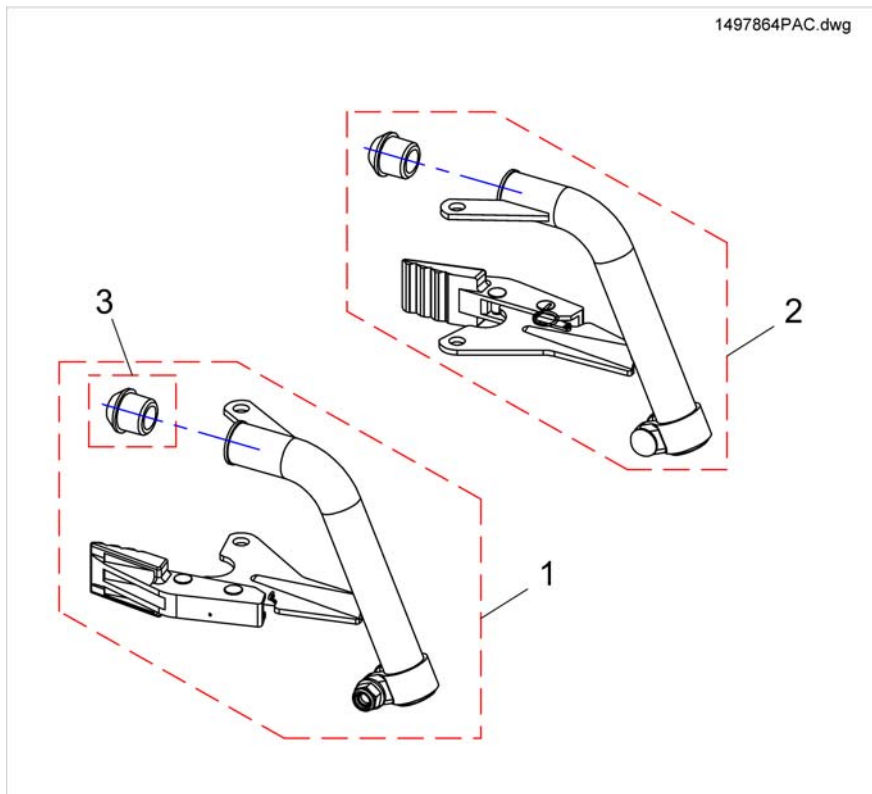
Pos.	Part number	Description	Valid from → until	Qty
1	6301333	Legrest calf pad		1
2	SP1450447	Calf Pad Holder Left Turnable, cpl.		1
2	SP1450446	Calf Pad Holder Right Turnable, cpl.		1
3	SPZ173178	Spring		1
4	SPZ174134	Floating Cylinder With Pin		1
5	SP1450448	Knee Upholstery RH		1
6	SP1450410	Knee Upholstery LH		1
7	SP1449293	Ad-Cover cpl.		1
8	SPZ151006	Actuator with circuit board, preassembled		1
9	SPN12196	Spring		1
10	SP1449408	Hanger ADP RH cpl.		1
10	SP1449407	Hanger ADP LH cpl.		1

Hanger 70 Deg, Standard



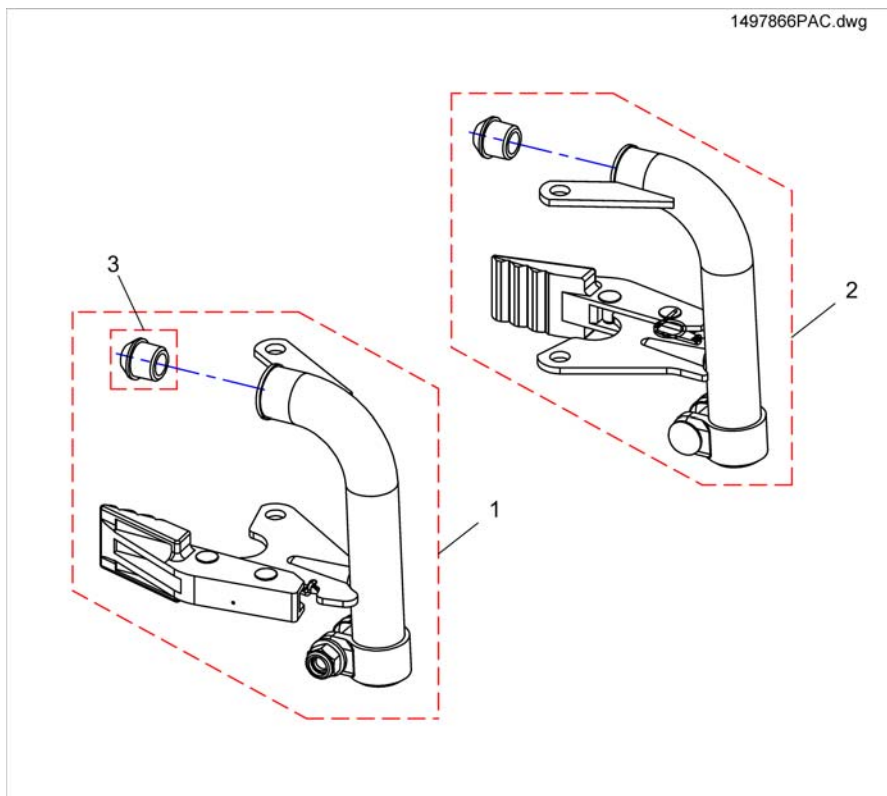
Pos.	Part number	Description	Valid from → until	Qty
1	SP1497862	Hanger 70 Deg, Standard, LH cpl.		1
2	SP1497827	Hanger 70 Deg, Standard, RH cpl.		1
3	5007790	Rubber pin		1

Hanger 70°, Firm-Seat



Pos.	Part number	Description	Valid from → until	Qty
1	SP1497864	Hanger 70 Deg, Junior, LH cpl.		1
2	SP1497863	Hanger 70 Deg, Junior, RH cpl.		1
3	5007790	Rubber pin		1

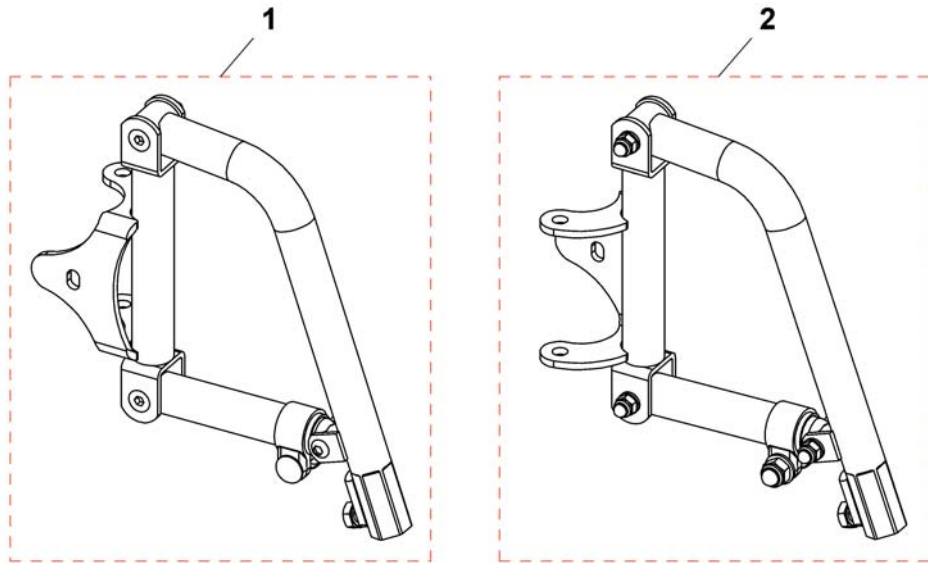
Hanger 90°, Firm-Seat



Pos.	Part number	Description	Valid from → until	Qty
1	SP1497866	Hanger 90 Deg, LH cpl.		1
2	SP1497865	Hanger 90 Deg, RH cpl.		1
3	5007790	Rubber pin		1

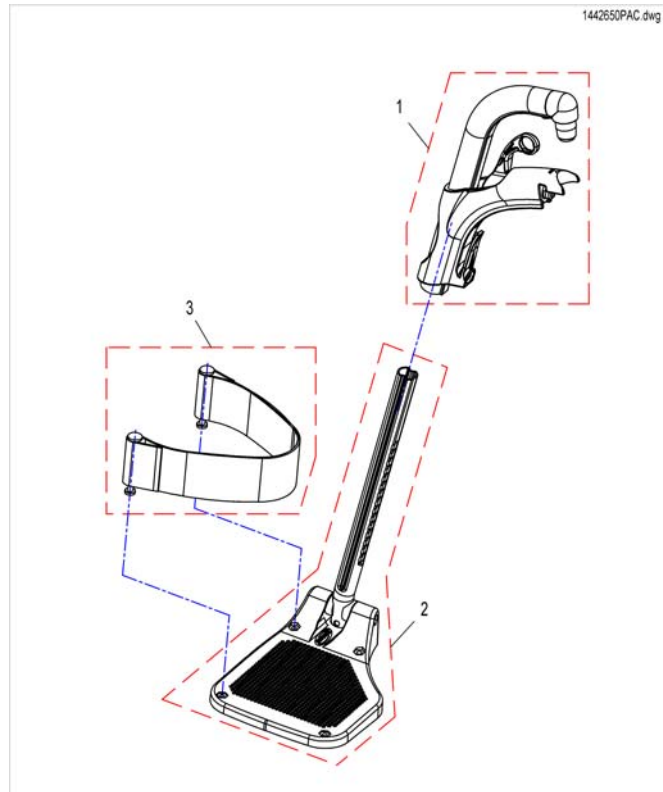
Hanger Angle, Adjustment

1497870.dwg



Pos.	Part number	Description	Valid from → until	Qty
1	1488704	Hanger Angle Adjustment, LH, cpl.		1
2	1492519	Hanger Angle Adjustment, RH, cpl.		1

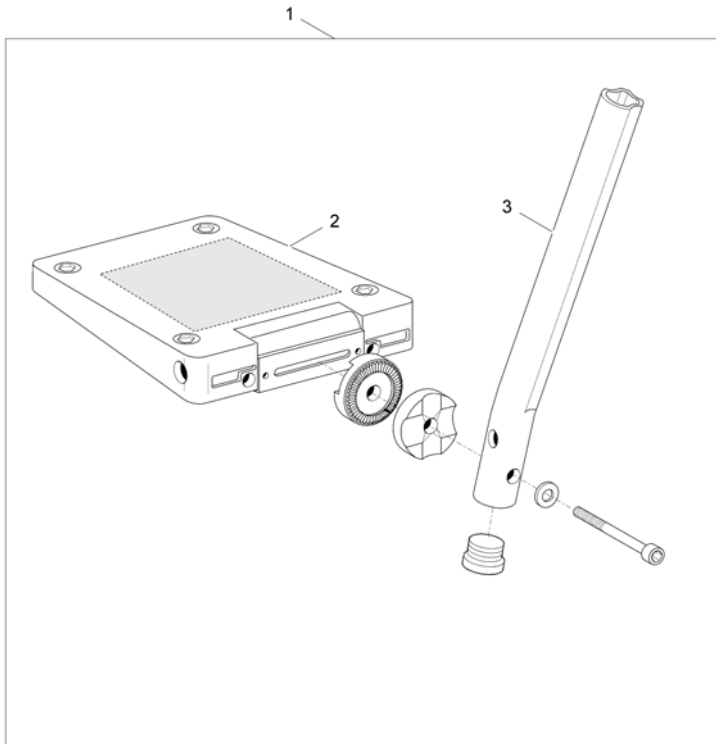
Legrest 80°



Pos.	Part number	Description	Valid from → until	Qty
1	SP1493055	Hanger 80°, Fixed		1
2	1428363	LOWER FOOTREST STANDARD WITH HEELSTRAP, width 43-45,5cm, LEFT		1
2	1428364	LOWER FOOTREST STANDARD, WITH HEELSTRAP, width 43-45,5cm, RIGHT		1
3	1430402	HEELSTRAP COMPLETE		1

Footplate, depth-, angleadjustable, 80°

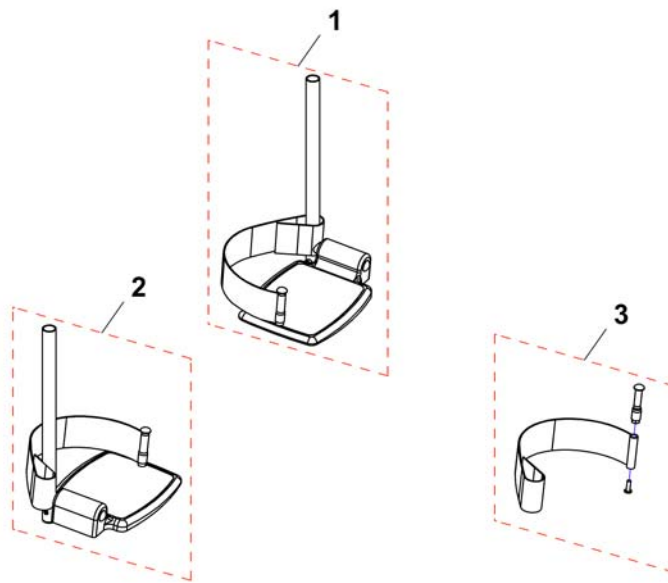
1428654X.iso



Pos.	Part number	Description	Valid from → until	Qty
1	1428660	Lh angle and depth adjustable footrest short tube(SW455 Action NG)(SW440 Clematis)		1
1	1428654	Rh angle and depth adjustable footrest short tube(SW455 Action NG)(SW440)		1
2	5106594	Angle and depth adjustable footplate 166 mm		1
3	1434561-0010	Short footrest tube, bended		1

Footrest, fixed, 70°

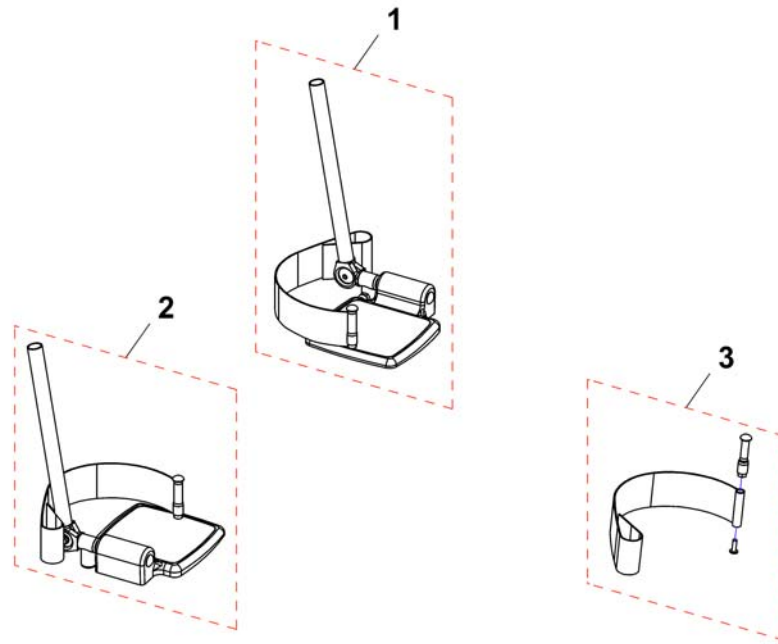
146704PAC.dwg



Pos.	Part number	Description	Valid from → until	Qty
1	1416153	F/Rest Ext Mini LH C/W		1
1	1422339	F/Rest Ext Mini LH C/W 7.5 Alum Footplates		1
1	26003109	F/Rest Ext Blk LH C/W 7.5 Alum Footplate		1
1	26003111	F/Rest Ext Blk LH Narr		1
2	1416152	F/Rest Ext Mini RH C/W		1
2	1422338	F/Rest Ext Mini RH C/W 7.5 Alum Footplates		1
2	26003108	F/Rest Ext Blk RH C/W 7.5 Alum Footplate		1
2	26003110	F/Rest Ext Blk RH Narr		1
3	SP1551628	Heel strap, cpl.		1

Footrest, angleadjustable, 70°

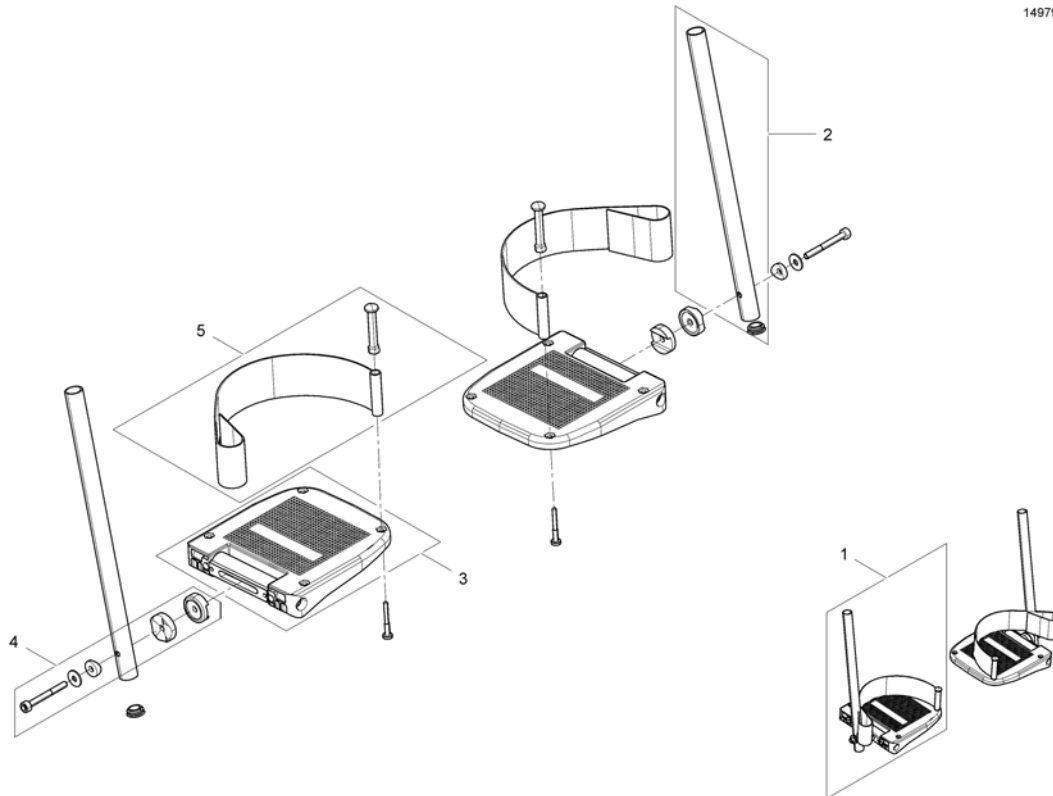
1497028PAC.dwg



Pos.	Part number	Description	Valid from → until	Qty
1	1425957	Adj Angle F/Rest Kit LH C/W 6.5 Alum Footplate		1
1	1425959	Adj Angle F/Rest Kit LH C/W 7.5 Alum Footplate		1
1	26002975	Adj F/Rest Ext Narrow LH		1
1	26003009	Adj F/Rest LH C/W 7.5 Alum Footplate		1
2	1425956	Adj Angle F/Rest Kit RH C/W 6.5 Alum Footplate		1
2	1425958	Adj Angle F/Rest Kit RH C/W 7.5 Alum Footplate		1
2	26002974	Adj F/Rest Ext Narrow RH		1
2	26003008	Adj F/Rest RH C/W 7.5 Alum Footplate		1
3	SP1551628	Heel strap, cpl.		1

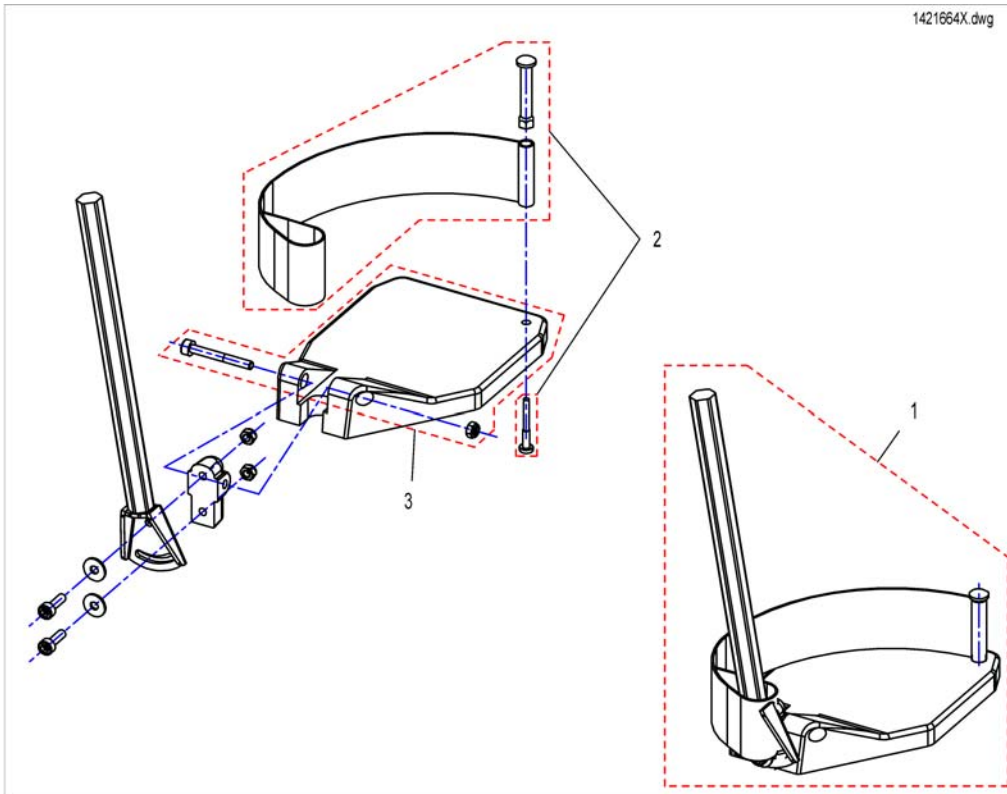
Footrest, depth-, angleadjustable, 70°

1497993PAC.iso



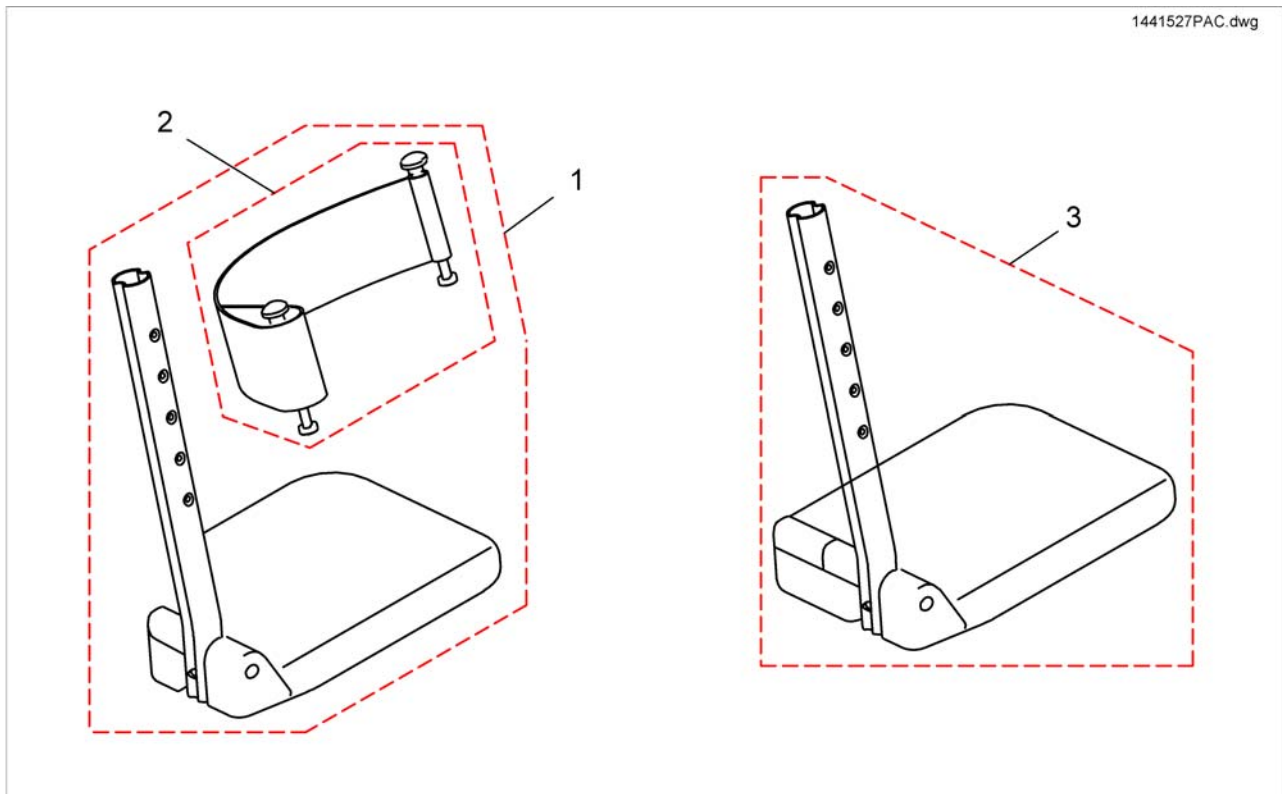
Pos.	Part number	Description	Valid from → until	Qty
1	SP1545298	Footplate, depth- and angleadjustable, long insert tube (330mm) SW39, RH/LH, cpl.		1
1	SP1545299	Footplate, depth- and angleadjustable, long insert tube (330mm) SW43, RH/LH, cpl.		1
1	SP1545300	Footplate, depth- and angleadjustable, long insert tube (330mm) SW46, RH/LH, cpl.		1
1	SP1545343	Footplate, depth- and angleadjustable, short insert tube (150mm) SW39, RH/LH, cpl.		1
1	SP1545344	Footplate, depth- and angleadjustable, short insert tube (150mm) SW43, RH/LH, cpl.		1
1	SP1545345	Footplate, depth- and angleadjustable, short insert tube (150mm) SW46, RH/LH, cpl.		1
2	1422289-0205	Insert Tube, long (330mm)		1
2	1422288-0205	Insert Tube, short (150mm)		1
3	5106371	Footplate 106mm angle and depth adjustable complete		1
3	5106374	Angle and depth adjustable footplate 141 mm		1
3	5106375	Angle and depth adjustable footplate 156 mm		1
4	SP1528406	Mounting-Kit		1
5	SP1423202	HEEL STRAP CPL.		1

Footplate with support tube angle adjust. RH/LH



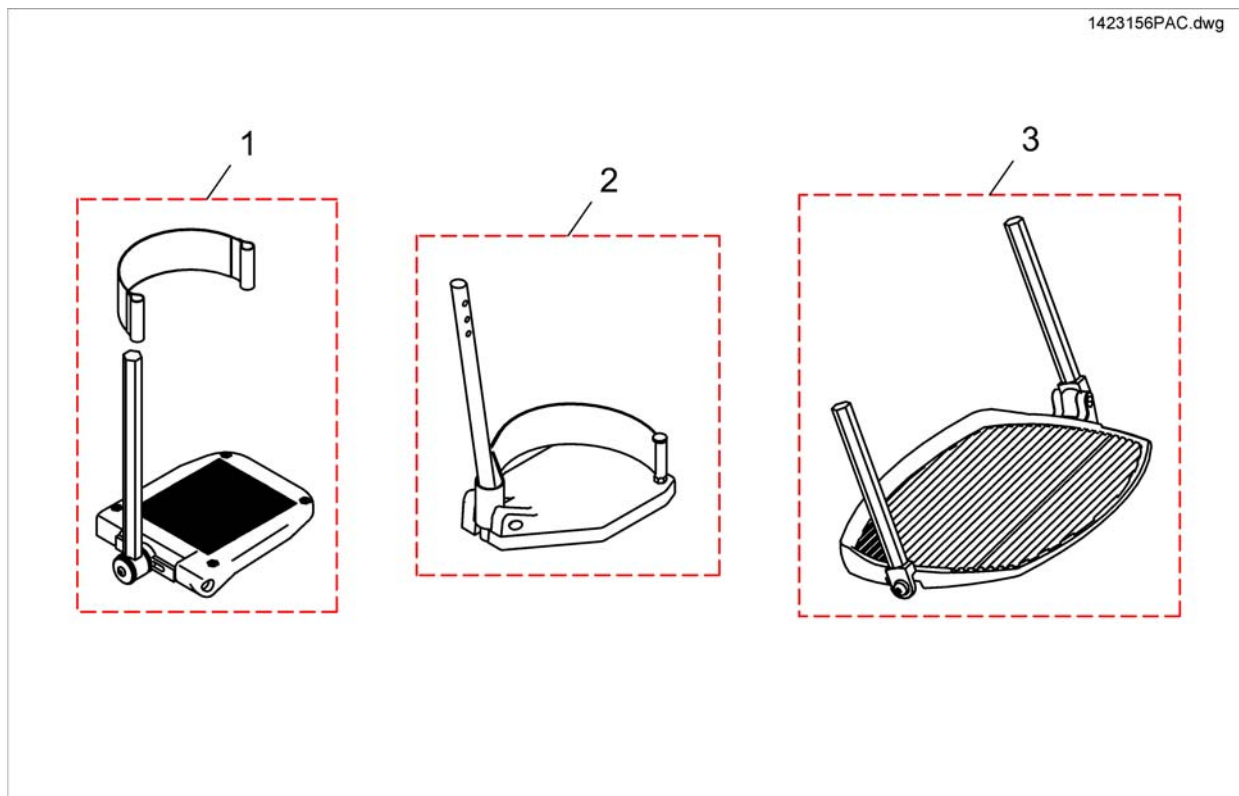
Pos.	Part number	Description	Valid from → until	Qty
1	SP1421664	Footplate RH anlge adjustable, with Support Tube cpl.		1
1	SP1421665	Footplate LH anlge adjustable, with Support Tube cpl.		1
2	SPB273011	Heel Strap		1
3	SPZ173217	Footplate LH		1
3	SPZ173218	Footplate RH		1

Footrests 80° & man. elevating



Pos.	Part number	Description	Valid from → until	Qty
1	SP1442851	Lower Legrest Standard With Heel Strap, Width 43-45,5cm, Right		1
1	SP1442852	Lower Legrest Standard With Heel Strap, Width 43-45,5cm, Left		1
2	1430402	HEELSTRAP COMPLETE		1
3	1428367	Footrest 24 Fixed, Long, Lh, Alu2003		1
3	1428368	Footrest 24 Fixed, Long, Rh, Alu2003		1

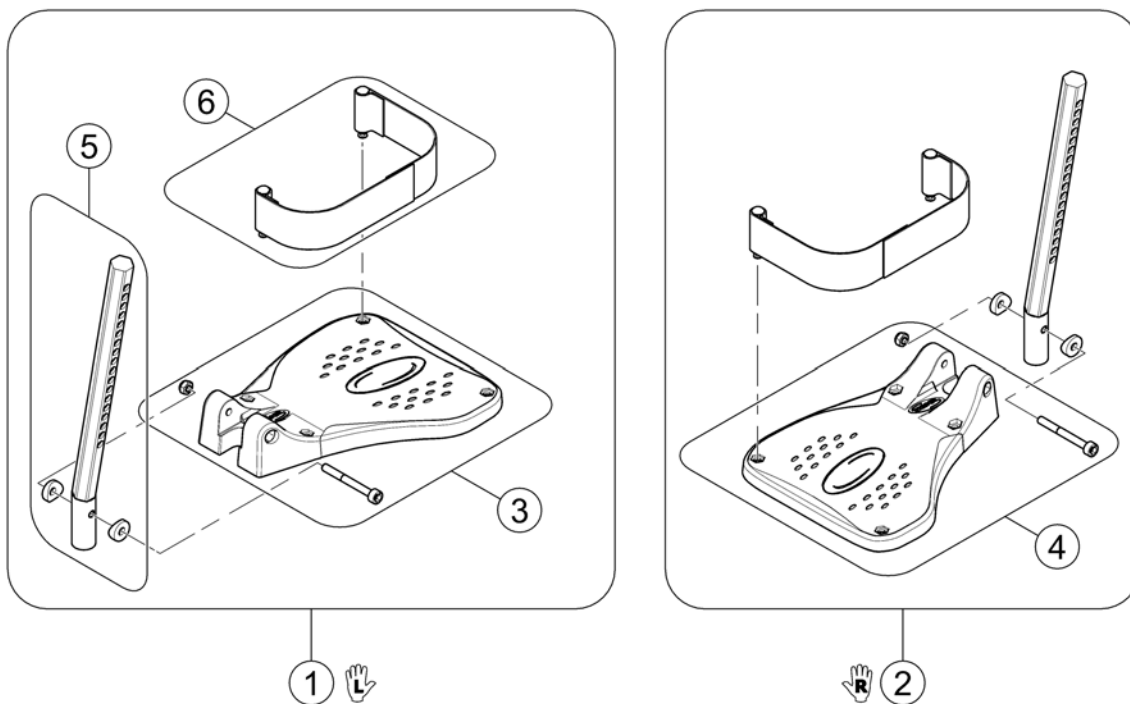
Footrests Vari series



Pos.	Part number	Description	Valid from → until	Qty
1	SP1419344	Footplate LH Anlge And Depth Adjustable, With Support Tube cpl.		1
1	SP1419345	Footplate RH Anlge And Depth Adjustable, With Support Tube cpl.		1
2	SP1421662	Footplate RH fix, with Support Tube cpl.		1
2	SP1421663	Footplate LH fix, with Support Tube cpl.		1
3	SP1423156	Footboard, pre-assembled		1

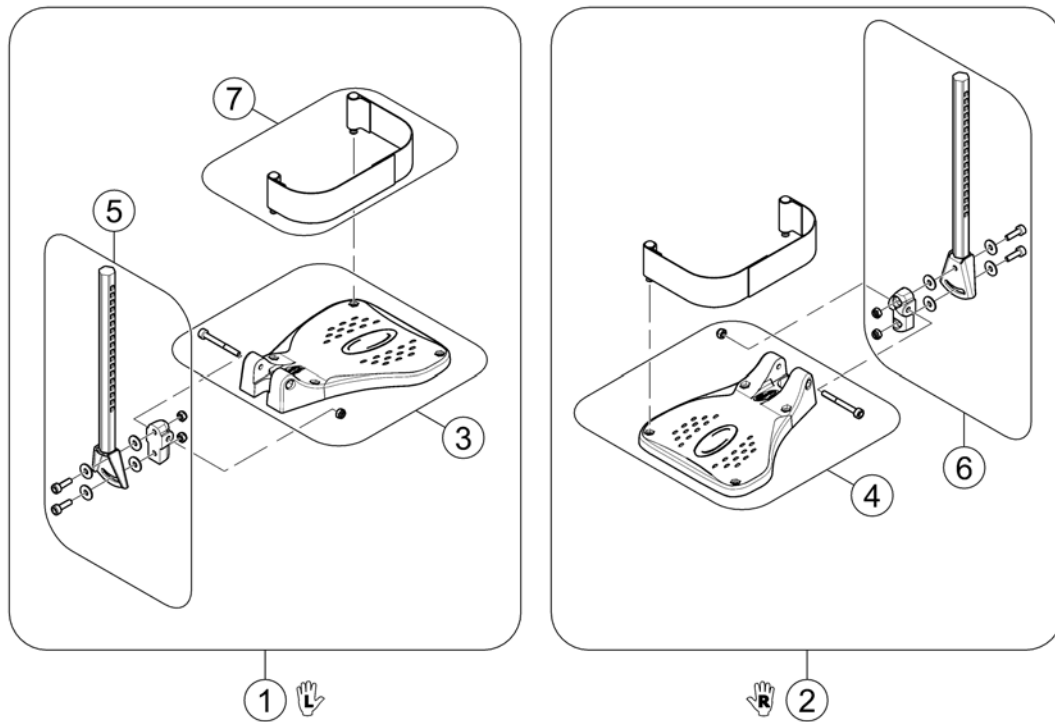
Footrests Vari, Flip-Up - 01.08.10 =>

1529644X.jpg



Pos.	Part number	Description	Valid from → until	Qty
1	SP1541575	Footplate flip up, LH, cpl.		1
2	SP1541574	Footplate flip up, RH, cpl.		1
3	SP1529645	FOOTPLATE LH		1
4	SP1529644	FOOTPLATE RH		1
5	SP1543045	Plug-in tube LH/RH		1
6	SP1442467	Heel Strap cpl.		1

Footrests Vari, Flip-Up & angle adjustable - 01.08.10 =>



Pos.	Part number	Description	Valid from → until	Qty
1	SP1541580	Footplate flip up, angle adjustable, LH, cpl.		1
2	SP1541579	Footplate flip up, angle adjustable, RH, cpl.		1
3	SP1529645	FOOTPLATE LH		1
4	SP1529644	FOOTPLATE RH		1
5	SP1423204	FOOT PLATE TUBE, ANGLE ADJUSTMENT LH CPL.		1
6	SP1423203	FOOT PLATE TUBE, ANGLE ADJUSTMENT RH CPL.		1
7	SP1442467	Heel Strap cpl.		1

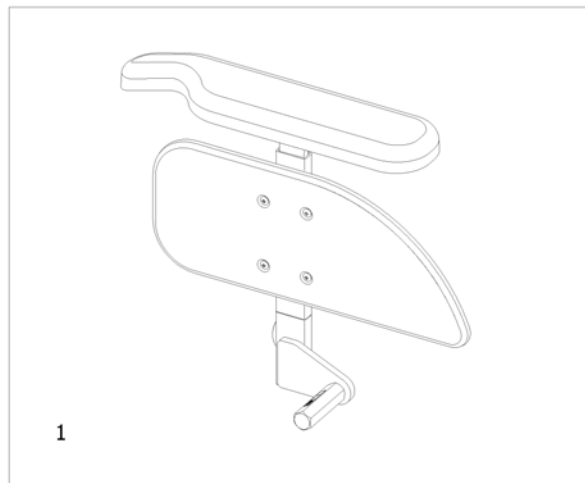
Armrests



Pos.	Part number	Description	Valid from → until	Qty
1	-	Armrest for Standard Seat		1
2	-	Armrest for Flex2 Seat		1
3	-	Armrest for Firm Seat		1
4	-	Armrest for Max Seat		1
5	-	Armrests for Modulite Seat		1

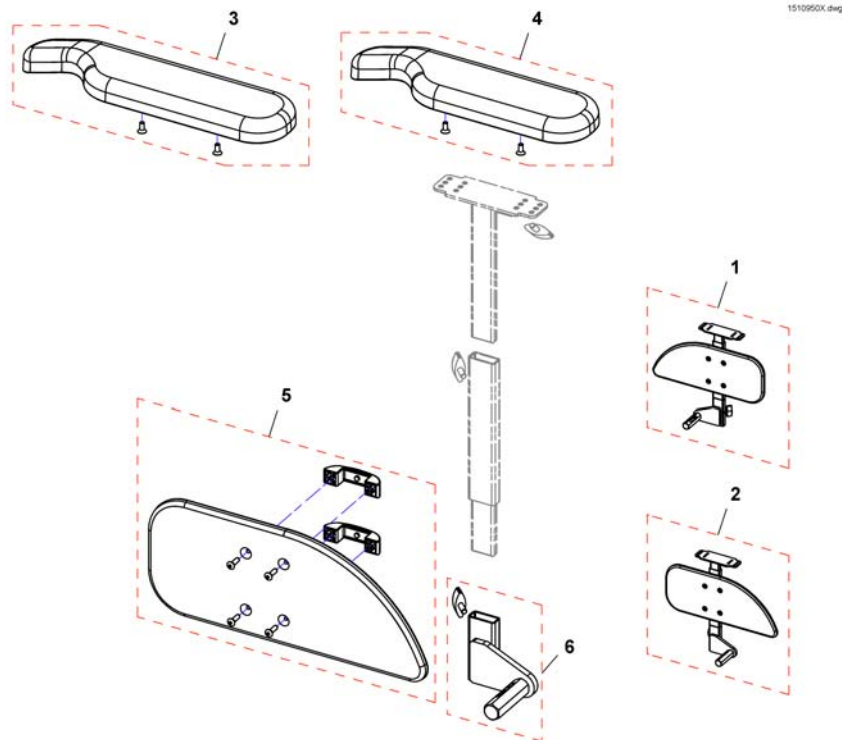
Armrest for Standard Seat

1571952.iss



Pos.	Part number	Description	Valid from → until	Qty
1	-	T-Armrest, detachable, with Armpad, for Standard Seat 2008-08-01 ==> [0606+0647/0649]		1

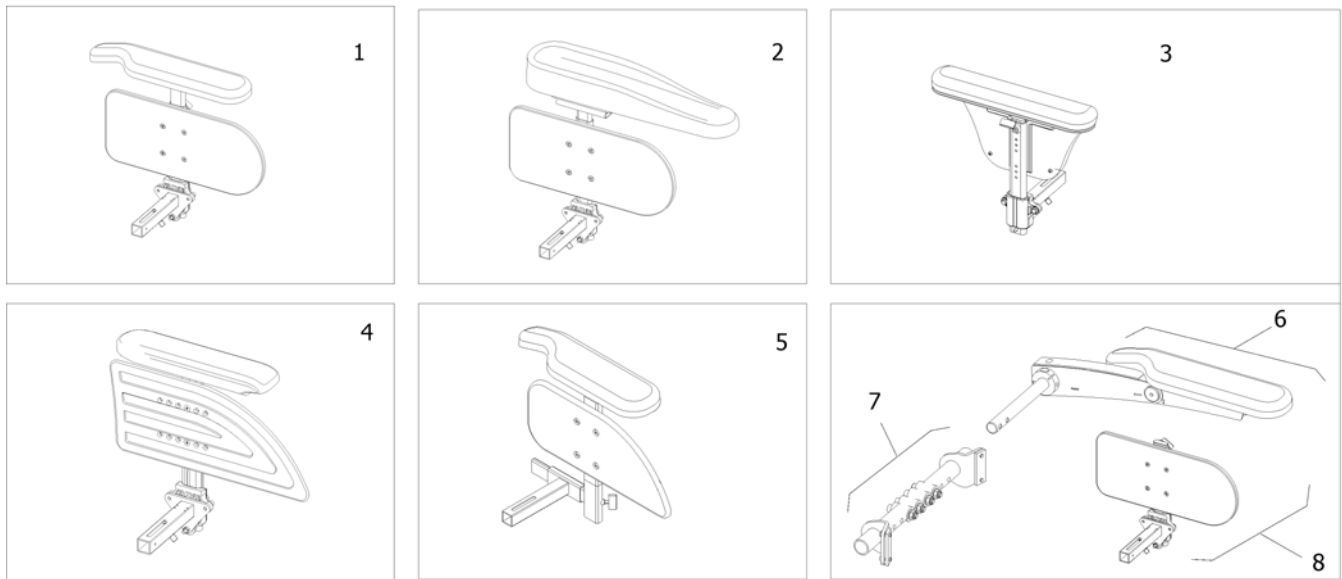
T-Armrest, detachable, with Armpad, for Standard Seat 2008-08-01 ==>



Pos.	Part number	Description	Valid from → until	Qty
1	SP1510935	Armrest, without armpad, RH		1
2	SP1510950	Armrest, without armpad, LH		1
3	SP1528846	Armpad, Extended (375mm), LH		1
3	SP1528845	Armpad, Extended (375mm), RH		1
4	SP1443004	Armpad, Standard (325mm), LH		1
4	SP1449043	Armpad, Standard (325mm), RH		1
5	SP1541505	Skirt guard, RH		1
5	SP1541506	Skirt guard, LH		1
6	SP1541510	Bracket for T-arm, RH		1
6	SP1541511	Bracket for T-arm, LH		1

Armrest for Flex2 Seat

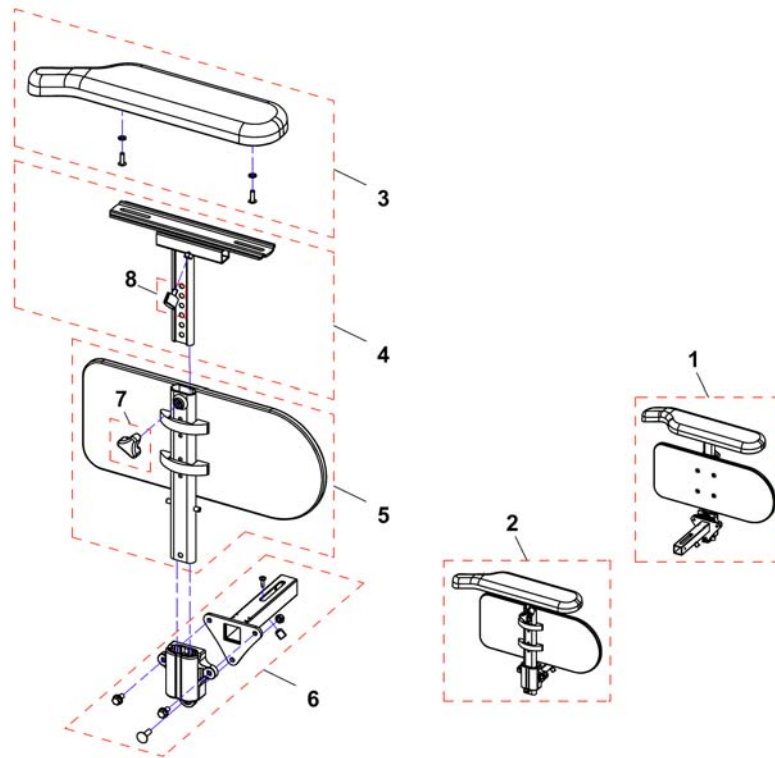
1572098.iss



Pos.	Part number	Description	Valid from → until	Qty
1	-	Armrest long [0670]		1
2	-	Armrest Hemiplegic [0670+0671/0672]		1
3	-	Armrest Azalea style [0625]		1
4	-	Armrest RIO, Flex II [0624]		1
5	-	T-Armrest detachable [0606]		1
6	-	Flip-up armrest [0621]		1
7	-	Mounting bracket Flip-up armrests [0621]		1
8	-	Skirt guard Flip-up armrest [0623]		1

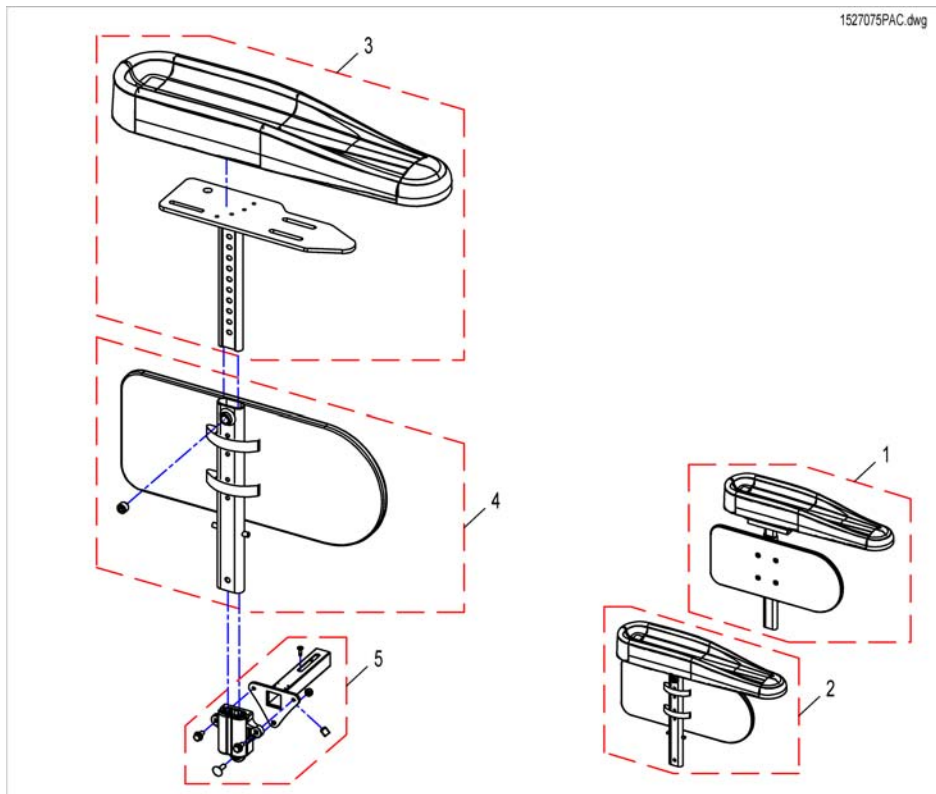
Armrest long

1549087X.dwg



Pos.	Part number	Description	Valid from → until	Qty
1	SP1549088	Long armrest, height adjustable, LH, cpl.		1
2	SP1549087	Long armrest, height adjustable, RH, cpl.		1
3	SP1528846	Armpad, Extended (375mm), LH		1
3	SP1528845	Armpad, Extended (375mm), RH		1
4	SP1433317	T-Arm, LH		1
4	SP1433316	T-Arm, RH		1
5	1415521	Skirtguard LH, cpl.		1
5	1415520	Skirtguard RH, cpl.		1
6	SP1528816	Armrest Bracket RH/LH		1
7	1434623	Ball Screw Court 75mm		1
8	L31001	Wing ScREW M6X10		1

Armrest Hemiplegic



Pos.	Part number	Description	Valid from → until	Qty
1	SP152706	Armrest Hemiplegic LH		1
2	SP152705	Armrest Hemiplegic RH		1
3	1493219	Rh hemi dartex armpad complete		1
3	1493220	Lh hemi dartex armpad complete		1
4	1415520	Skirtguard RH, cpl.		1
4	1415521	Skirtguard LH, cpl.		1
5	SP1528816	Armrest Bracket RH/LH		1

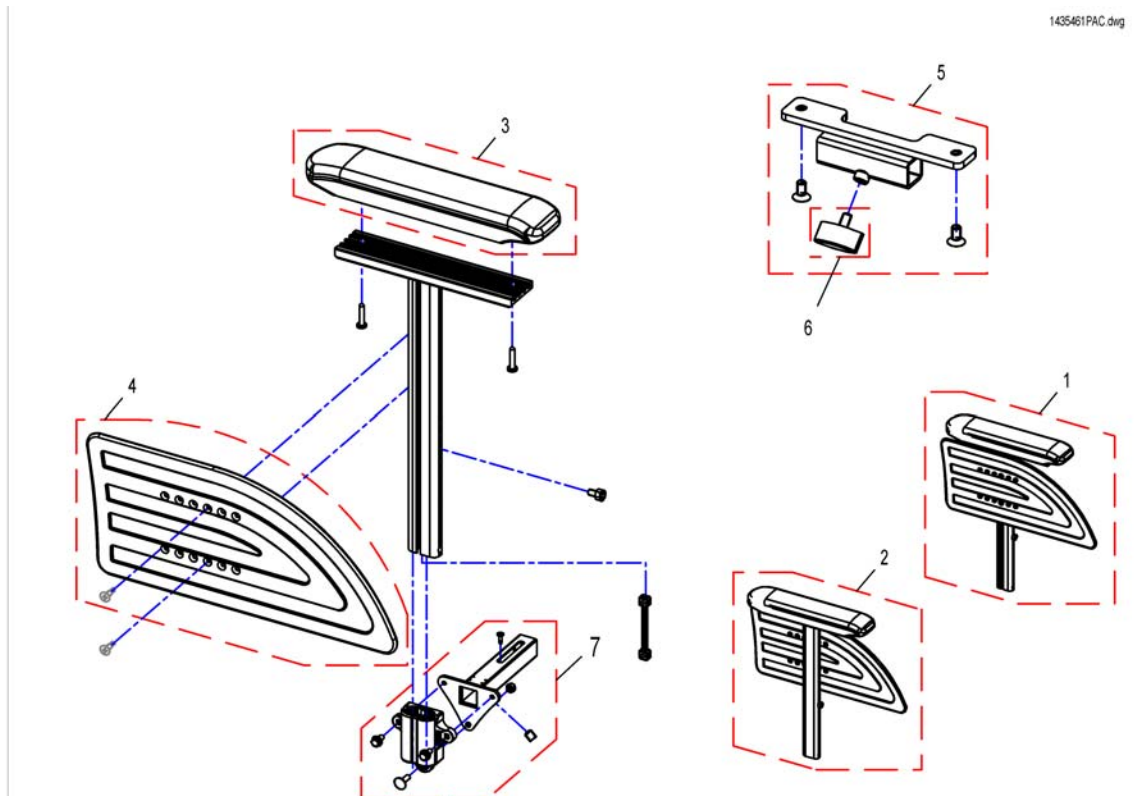
Armrest Azalea style

1527196PAC.dwg



Pos.	Part number	Description	Valid from → until	Qty
1	SP1527196	Armrest RH/LH, cpl.		1
2	L31001	Wing Scew M6X10		1
3	SP1528816	Armrest Bracket RH/LH		1

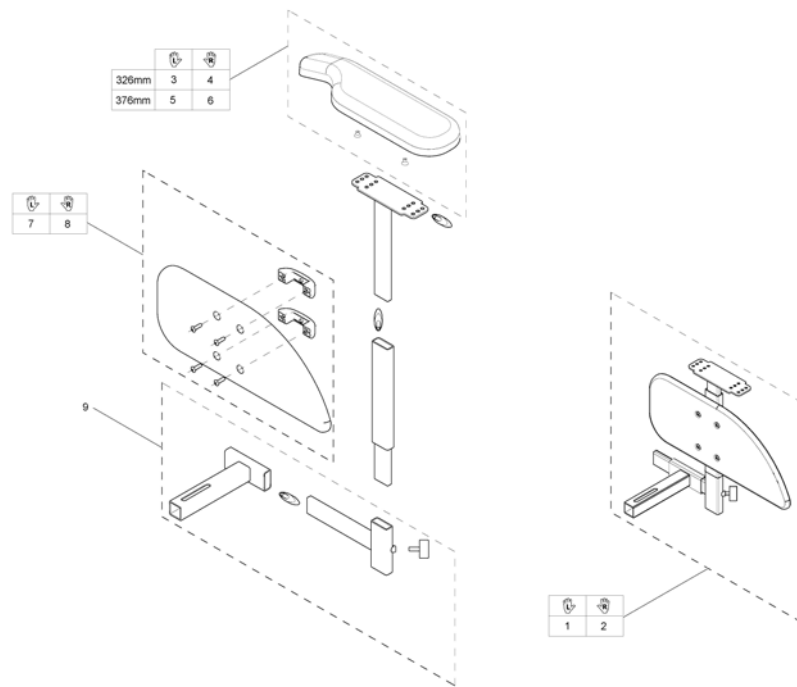
Armrest RIO, Flex II



Pos.	Part number	Description	Valid from → until	Qty
1	1435461	ARMREST HA, RIO , LEFT, SHORT PAD		1
2	1435460	ARMREST HA, RIO , RIGHT, SHORT PAD		1
3	1434676	Short armpad		1
4	1434725	Sideguard armrest Rio Height adjustable		1
5	SP1528327	Remote Support RIO		1
6	L31001	Wing Scew M6X10		1
7	SP1528816	Armrest Bracket RH/LH		1

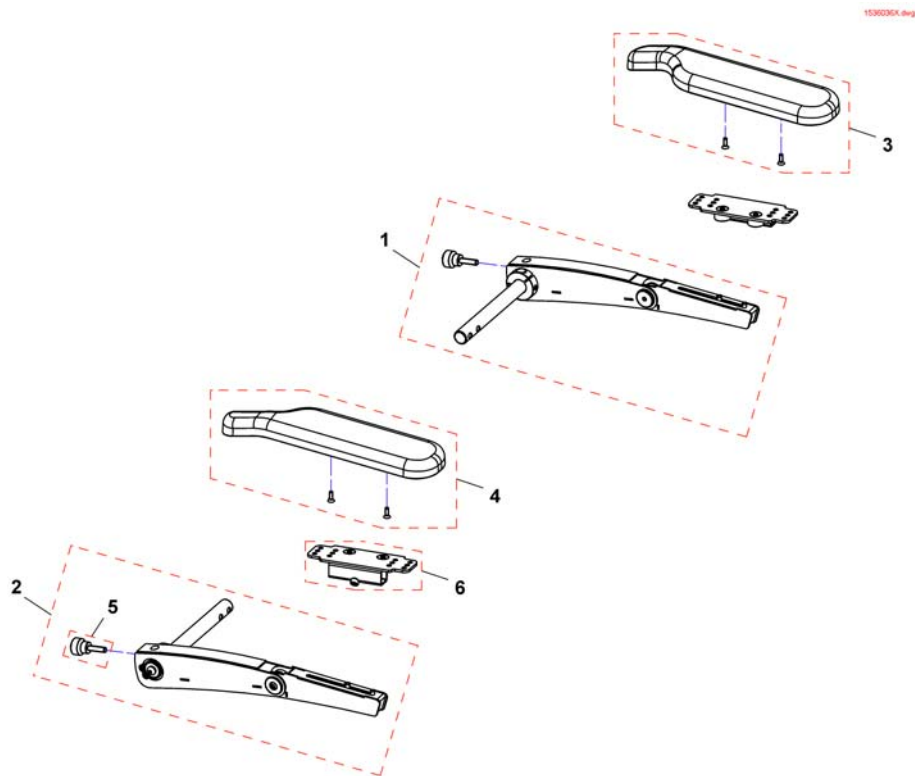
T-Armrest detachable

1559709.iso



Pos.	Part number	Description	Valid from → until	Qty
1	SP1556920	Armrest LH, without Armpad		1
2	SP1556925	Armrest RH, without Armpad		1
3	SP1443004	Armpad, Standard (325mm), LH		1
4	SP1449043	Armpad, Standard (325mm), RH		1
5	SP1528846	Armpad, Extended (375mm), LH		1
6	SP1528845	Armpad, Extended (375mm), RH		1
7	SP1541506	Skirt guard, LH		1
8	SP1541505	Skirt guard, RH		1
9	SP1559710	Receiver for armrest		1

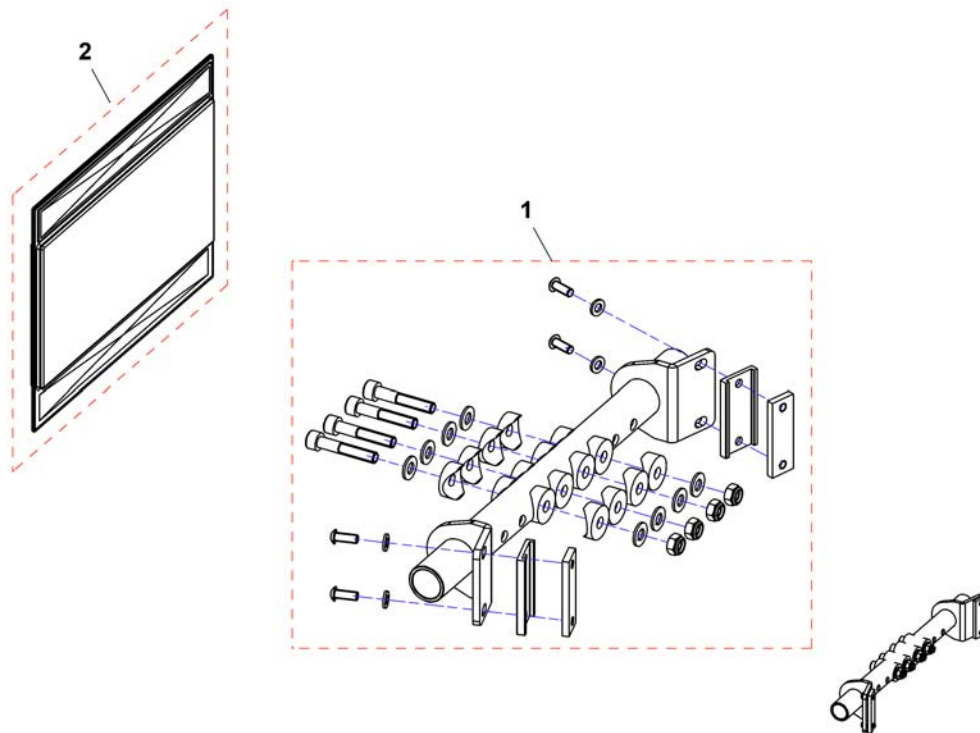
Flip-up armrest



Pos.	Part number	Description	Valid from → until	Qty
1	SP1536100	Following armrest, long, LH, cpl.		1
2	SP1536099	Following armrest, long, RH, cpl.		1
3	SP1528846	Armpad, Extended (375mm), LH		1
4	SP1528845	Armpad, Extended (375mm), RH		1
5	SP1535504	Knurled screw M8x30		1
6	SP1535244	Armpad holder		1

Mounting bracket Flip-up armrests

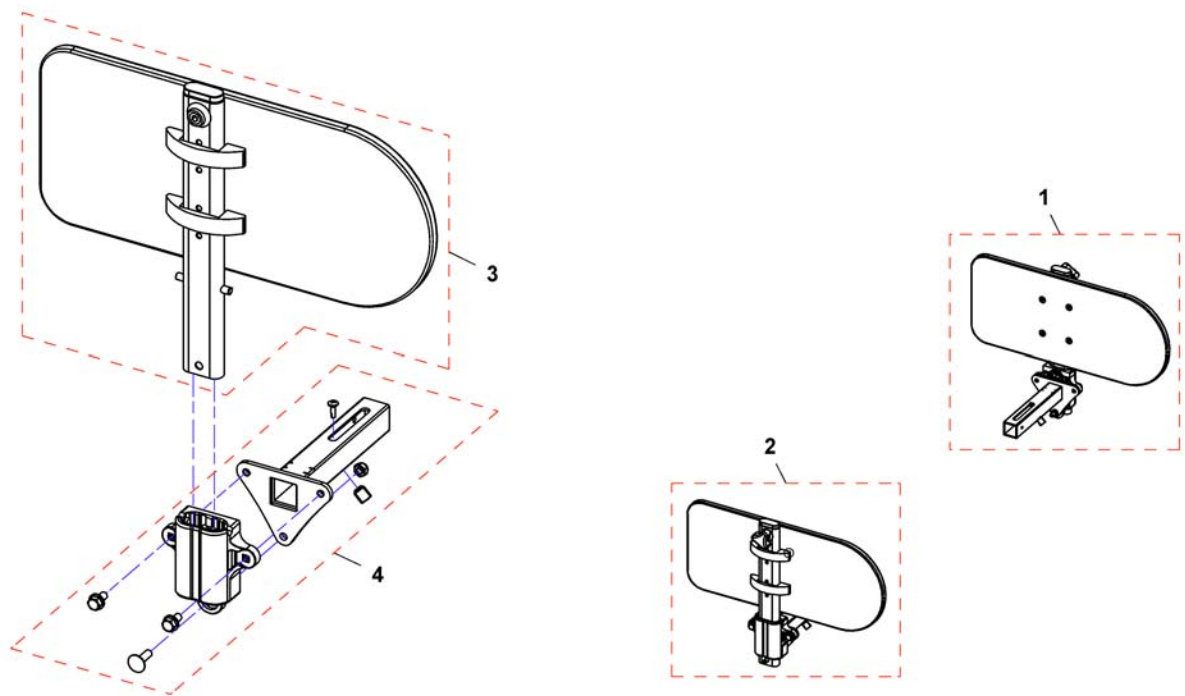
1548568.dwg



Pos.	Part number	Description	Valid from → until	Qty
1	SP1548568	Bracket for flip-up armrest, SW 39		1
1	SP1548569	Bracket for flip-up armrest, SW 44		1
1	SP1548631	Bracket for flip-up armrest, SW 49		1
2	SP1550410	Protection cover		1

Skirt guard Flip-up armrest

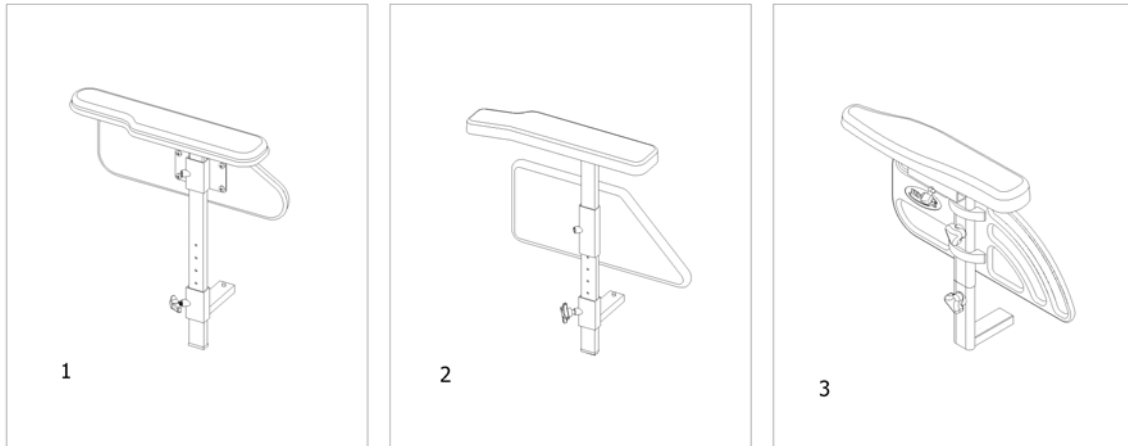
1549094X.dwg



Pos.	Part number	Description	Valid from → until	Qty
1	SP1549095	Skirt guard, LH		1
2	SP1549094	Skirt guard, RH		1
3	1415521	Skirtguard LH, cpl.		1
3	1415520	Skirtguard RH, cpl.		1
4	SP1528816	Armrest Bracket RH/LH		1

Armrest for Firm Seat

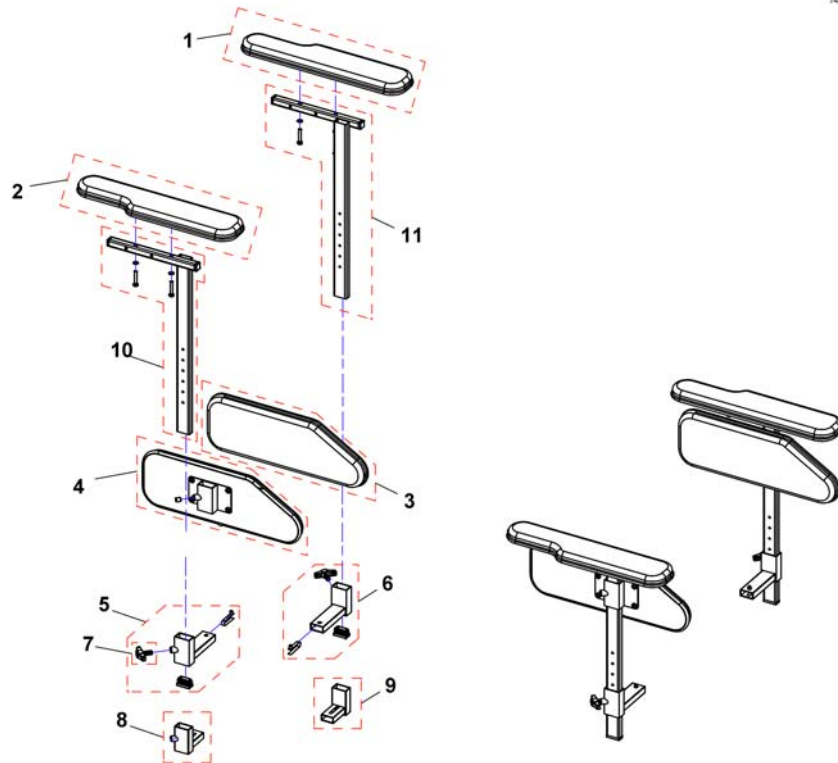
1572568.iso



Pos.	Part number	Description	Valid from → until	Qty
1	-	Armrest, padded [0674]		1
2	-	Armrest, moulded [0675]		1
3	-	Armrest Ergonomic [0676]		1

Armrest, padded

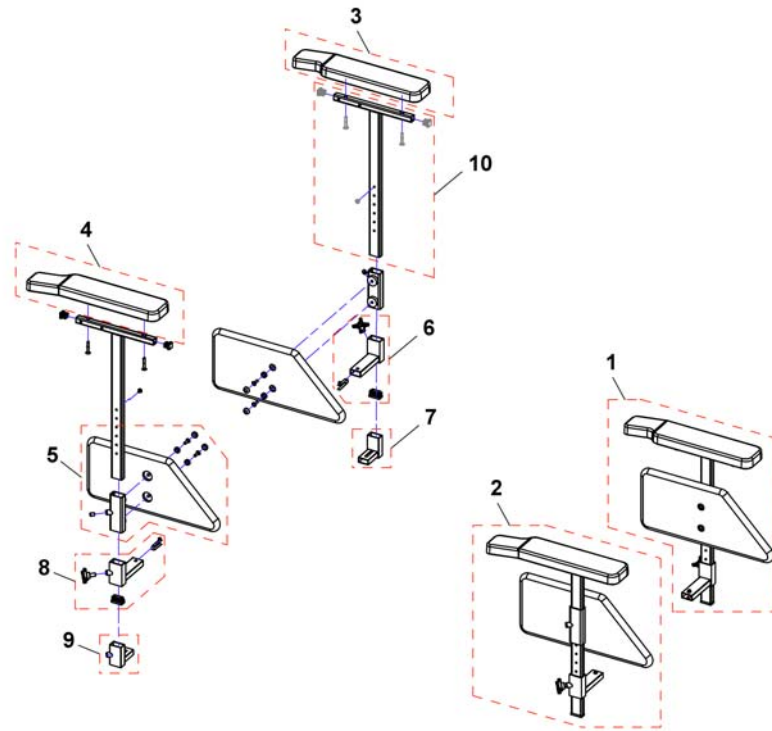
1498151PAC.dwg



Pos.	Part number	Description	Valid from → until	Qty
1	23008731BKB	Armpad LH SW 38/43, Black Bird		1
1	23008731BKJ	Armpad LH SW 38/43, Black Jemima		1
1	SP1422421	Armpad LH SW33/38, Black Jemima		1
2	23008730BKB	Armpad RH SW 38/43, Black Bird		1
2	23008730BKJ	Armpad RH SW 38/43, Black Jemima		1
2	SP1422420	Armpad RH SW 33/38, Black Jemima		1
3	SP26003225BKJ	Padded Skirt Guard LH SW 38/43, Black Jemima		1
3	26003225BKB	Padded Skirt Guard LH SW 38/43, Black Bird		1
3	SP26003223BKJ	Padded Skirt Guard LH SW 33, Black Jemima		1
3	SP26003223BKB	Padded Skirt Guard LH SW 33, Black Bird		1
4	SP26003224BKJ	Padded Skirt Guard RH SW 38/43, Black Jemima		1
4	26003224BKB	Padded Skirt Guard RH SW 38/43, Black Bird		1
4	SP26003222BKJ	Padded Skirt Guard RH SW 33, Black Jemima		1
4	SP26003222BKB	Padded Skirt Guard RH SW 33, Black Bird		1
5	SP1534391	Mounting Bracket RH <i>Use for Seatwidth 33cm</i>		1
6	SP1534392	Mounting Bracket LH <i>Use for Seatwidth 33cm</i>		1
7	256099	Wing Screw M8 X 20 639		1
8	26003706	Mounting Bracket RH		1
9	26003707	Mounting Bracket LH		1
10	SP1541558	Armpad holder RH, for SW 38/43		1
11	SP1541559	Armpad holder LH, for SW 38/43		1
10	SP1543097	Armpad holder RH, for SW 33		1
11	SP1543096	Armpad holder LH, for SW 33		1

Armrest, moulded

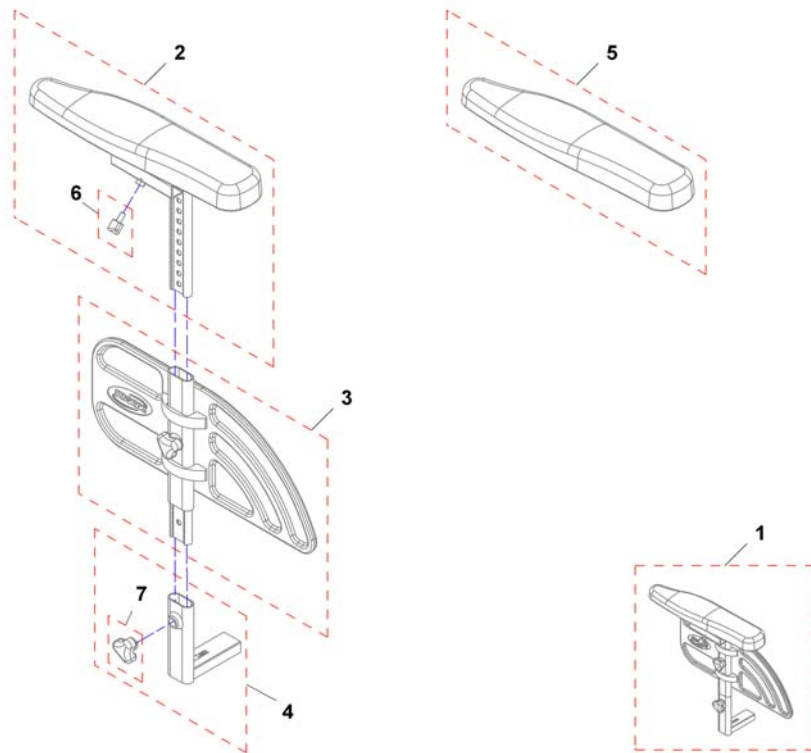
1497551PAC.dwg



Pos.	Part number	Description	Valid from → until	Qty
1	1498348	Armrest moulded LH, cpl.		1
1	1498396	Armrest moulded LH, for SW 33/38 cpl.		1
2	1498347	Armrest moulded RH, cpl.		1
2	1498395	Armrest moulded RH, for SW 33/38 cpl.		1
3	5008438	Ampad LH		1
4	5008437	Ampad RH		1
5	SP1528410	Skirt guard LH		1
5	SP1528411	Skirt guard RH		1
8	26003706	Mounting Bracket RH		1
9	SP1534391	Mounting Bracket RH <i>Use for Seatwidth 33cm</i>		1
6	26003707	Mounting Bracket LH		1
7	SP1534392	Mounting Bracket LH <i>Use for Seatwidth 33cm</i>		1
10	SP26004119	Ampad holder RH/LH, for SW38/43		1
10	SP1543095	Ampad holder RH/LH, for SW 33		1

Armrest Ergonomic

1441608.dwg



Pos.	Part number	Description	Valid from → until	Qty
1	SP1441722	Armrest RH, cpl.		1
1	SP1441723	Armrest LH, cpl.		1
2	SP1441607	Armrest holder with Ergonomic Pad RH		1
2	SP1441608	Armrest holder with Ergonomic Pad LH		1
3	SP1436962	Siderest, cpl. - RH		1
3	SP1436963	Siderest, cpl. - LH		1
4	1485103	Siderest Mounting Bracket, cpl. - long (+40mm)		1
5	1433327	Ergonomic Armpad RH		1
5	1433328	Ergonomic Armpad LH		1
6	L31001	Wing Scew M6X10		1
7	1434623	Ball Screw Court 75mm		1

Armrest for Max Seat

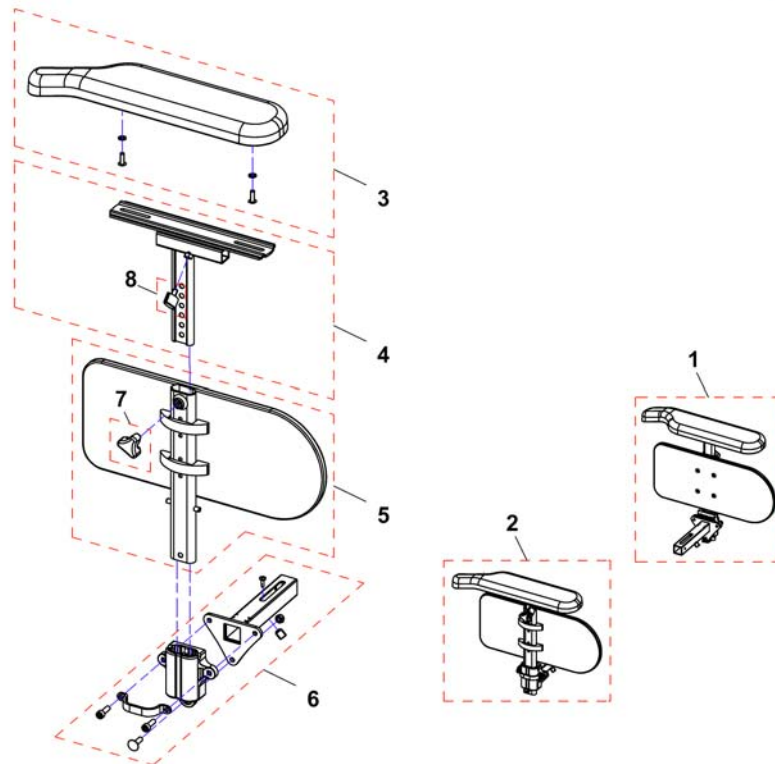
1571916.iso



Pos.	Part number	Description	Valid from → until	Qty
1	-	Armrest long [0670+0649]		1
2	-	Armrest Hemiplegic [0670+0671/0672]		1
3	-	T-Armrest detachable [0606+0649]		1

Armrest long

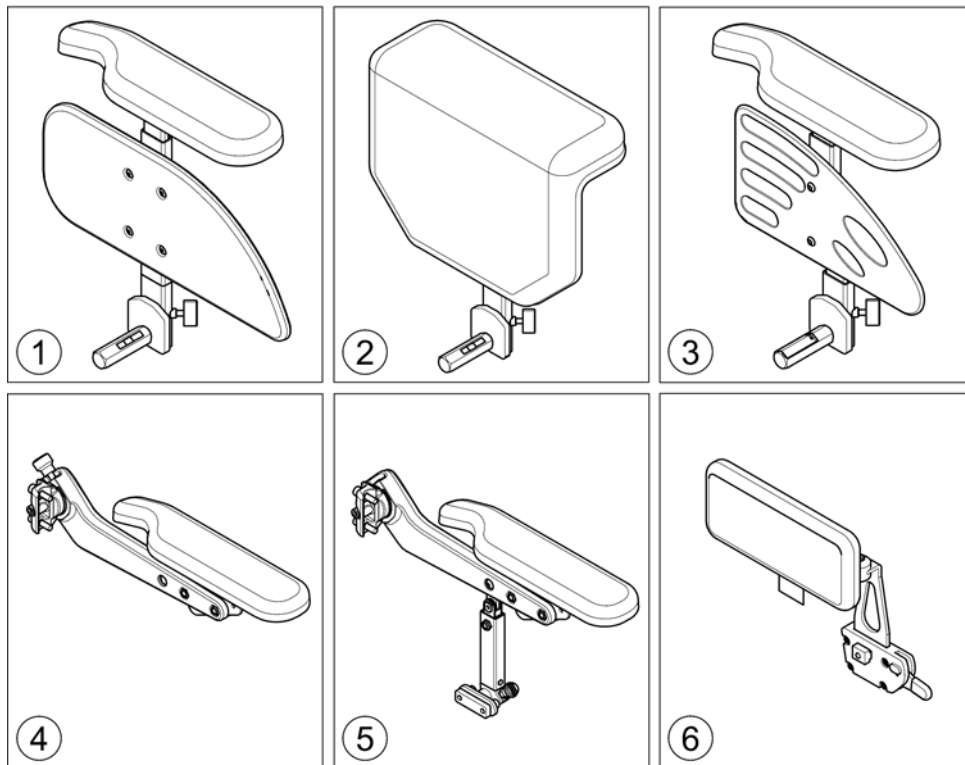
1552491X.dwg



Pos.	Part number	Description	Valid from → until	Qty
1	SP1552491	Armrest compl. LH		1
2	SP1552492	Armrest compl. RH		1
3	SP1528846	Armpad, Extended (375mm), LH		1
3	SP1528845	Armpad, Extended (375mm), RH		1
4	SP1433317	T-Arm, LH		1
4	SP1433316	T-Arm, RH		1
5	1415521	Skirtguard LH, cpl.		1
5	1415520	Skirtguard RH, cpl.		1
6	SP1525035	Reinforced bracket HD armrest RH/LH		1

Armrests for Modulte Seat

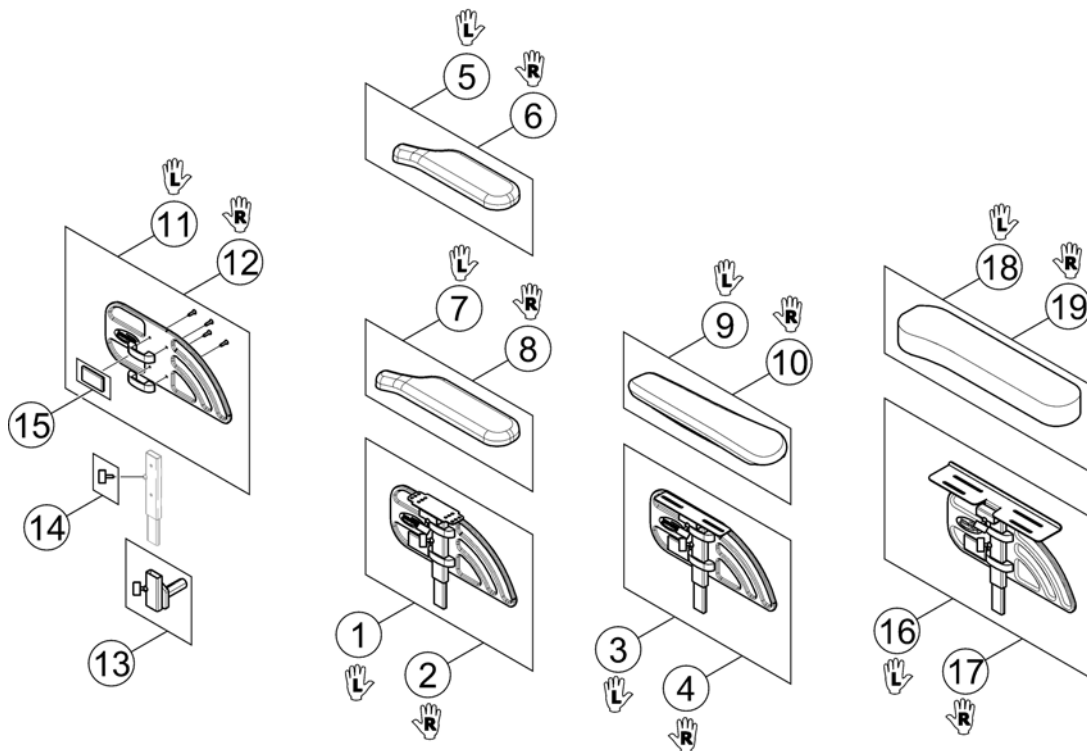
1571738.000



Pos.	Part number	Description	Valid from → until	Qty
1	-	T-Armrest [2191+2195/2196/2197]		1
2	-	Padded Armrest [2198]		1
3	-	Inrigged Armrest [2183+2195/2196/2197/2199]		0
4	-	Flip-Up Armrest [2193+2195/2196/2197/2199]		0
5	-	Following Armrest [2192/2194+2195/2196/2197/2199]		0
6	-	Hip Support [2184/2185/2186/2187/2188/2189]		0

T-Armrest

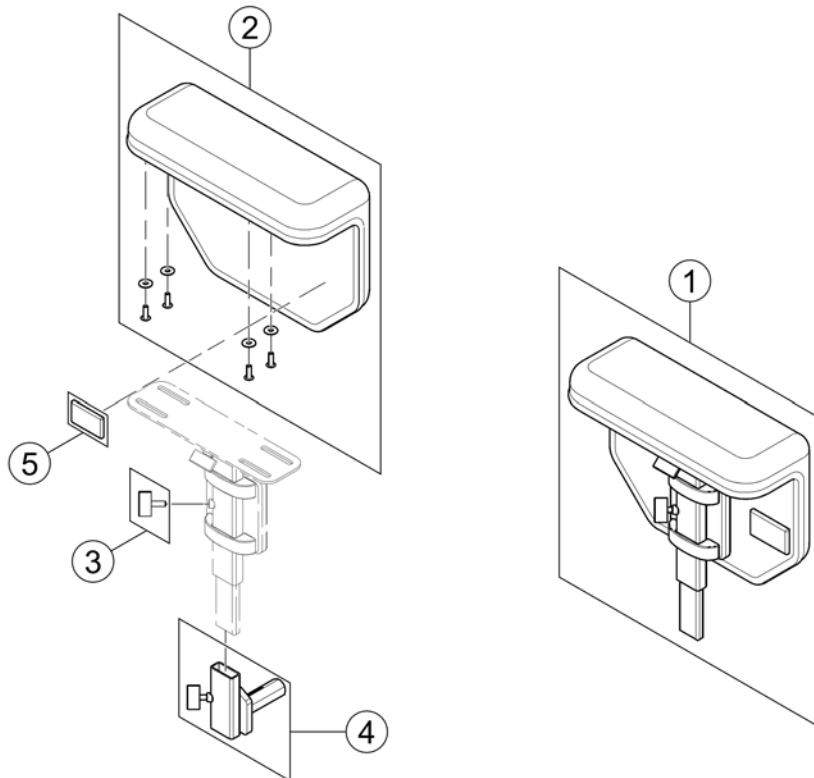
1572570.iso



Pos.	Part number	Description	Valid from → until	Qty
1	SP1570318	Siderest LH (for Standard & Extended Armpad)		1
2	SP1570368	Siderest RH (for Standard & Extended Armpad)		1
3	SP1578114	Siderest LH (for Ergonomic Armpad)		1
4	SP1578115	Siderest RH (for Ergonomic Armpad)		1
5	SP1443004	Armpad, Standard (325mm), LH		1
6	SP1449043	Armpad, Standard (325mm), RH		1
7	SP1528846	Armpad, Extended (375mm), LH		1
8	SP1528845	Armpad, Extended (375mm), RH		1
9	SP1571589	Armpad, Ergonomic, LH		1
10	SP1571588	Armpad, Ergonomic, RH		1
11	SP1572940	Skirt Guard LH		1
12	SP1572948	Skirt Guard RH		1
13	SP1567749	Siderest Bracket - LH/RH		1
14	SPL10024	Wing Screw M6x16		1
15	SPP31298	Reflector, yellow		1
16	SP1585205	Siderest LH (for Soft Armpad)		1
17	SP1585206	Siderest RH (for Soft Armpad)		1
18	SP1585068	Armpad, Soft, LH		1
19	SP1585069	Armpad, Soft, RH		1

Padded Armrest

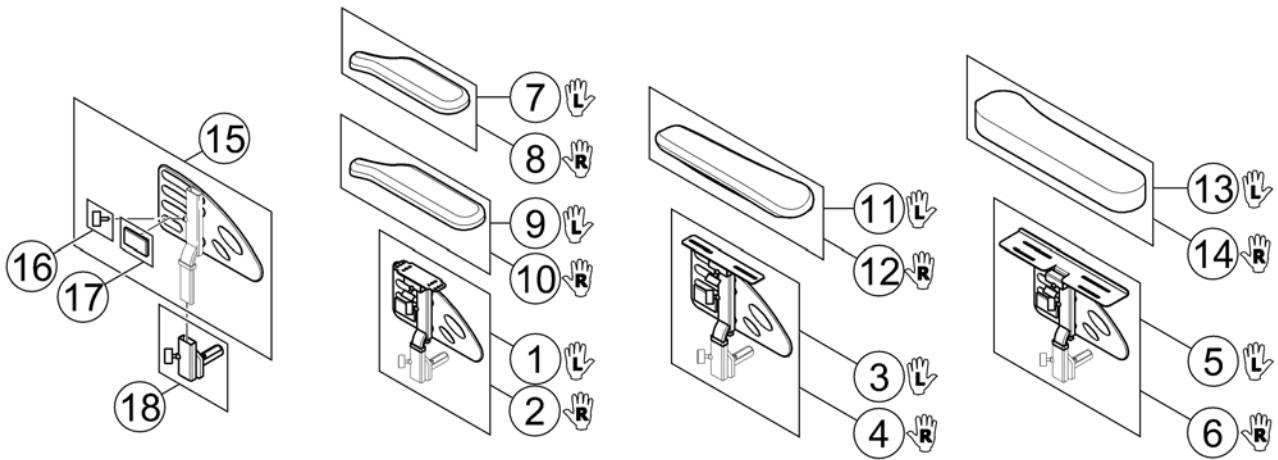
1573214.00



Pos.	Part number	Description	Valid from → until	Qty
1	SP1571987	Padded Armrest RH/LH, cpl.		1
2	SP1571962	Armpad, padded - RH/LH with integrated cloth guard		1
3	SPL10024	Wing Screw M6x16		1
4	SP1567749	Siderest Bracket - LH/RH		1
5	SPP31298	Reflector, yellow		1

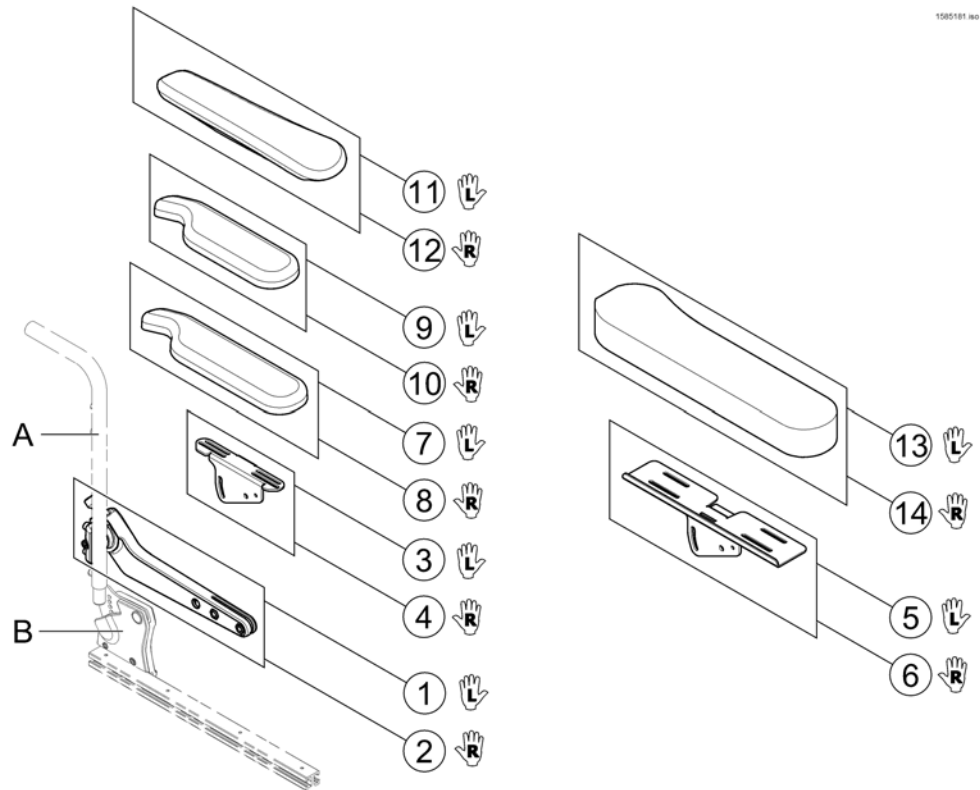
Inrigged Armrest

1585180 iso



Pos.	Part number	Description	Valid from → until	Qty
1	SP1585448	Armrest LH (for Standard & Extended Armpad)		1
2	SP1585449	Armrest RH (for Standard & Extended Armpad)		1
3	SP1585450	Armrest LH (for Ergonomic Armpad)		1
4	SP1585451	Armrest RH (for Ergonomic Armpad)		1
5	SP1585452	Armrest LH (for Soft Armpad)		1
6	SP1585453	Armrest RH (for Soft Armpad)		1
7	SP1443004	Armpad, Standard (325mm), LH		1
8	SP1449043	Armpad, Standard (325mm), RH		1
9	SP1528846	Armpad, Extended (375mm), LH		1
10	SP1528845	Armpad, Extended (375mm), RH		1
11	SP1571589	Armpad, Ergonomic, LH		1
12	SP1571588	Armpad, Ergonomic, RH		1
13	SP1585068	Armpad, Soft, LH		1
14	SP1585069	Armpad, Soft, RH		1
15	SP1578119	Skirt Guard LH/RH		1
16	SPL10024	Wing Screw M6x16		1
17	SPP31298	Reflector, yellow		1
18	SP1567749	Siderest Bracket - LH/RH		1

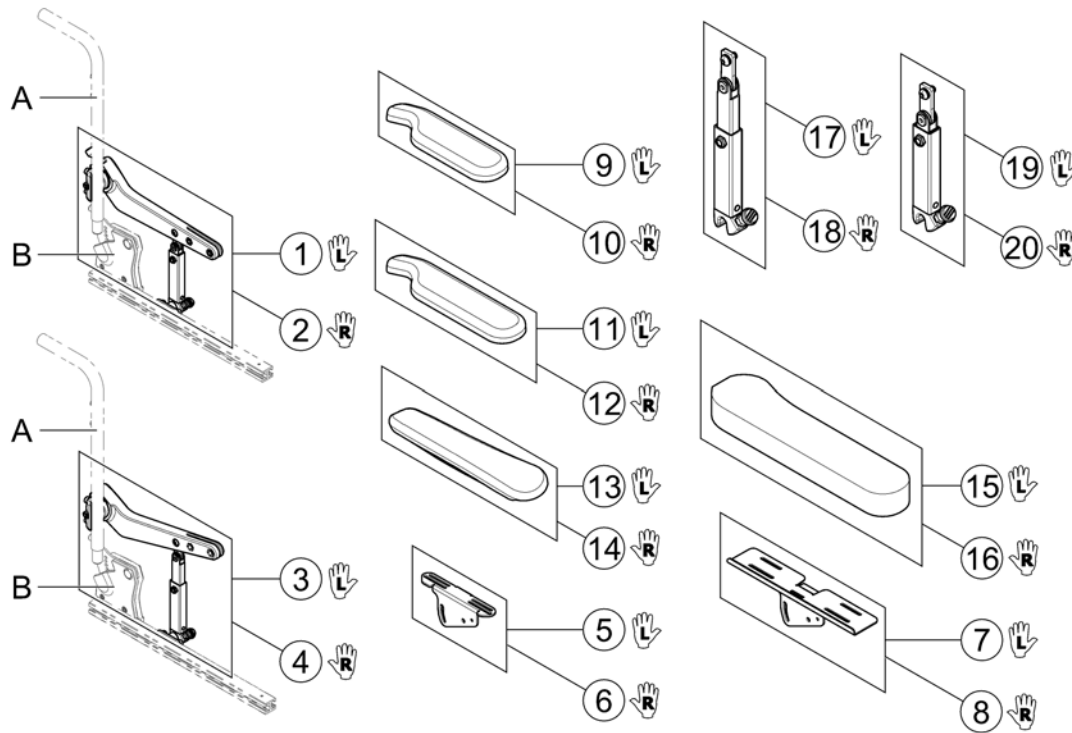
Flip-Up Armrest



Pos.	Part number	Description	Valid from → until	Qty
-	-	Retrofitting the armrests on chairs built before 15-03-27 also requires new Pos. A & B and Sling Back with respective cut-outs! !!!		0
1	SP1582668	Flip-Up Armrest, LH	2015-01-19 →	1
2	SP1582644	Flip-Up Armrest, RH	2015-01-19 →	1
3	SP1585412	Ampad Support (Standard, Extended, Ergonomic), LH		1
4	SP1585413	Ampad Support (Standard, Extended, Ergonomic), RH		1
5	SP1585414	Ampad Support (Soft), LH		1
6	SP1585415	Ampad Support (Soft), RH		1
7	SP1528846	Ampad, Extended (375mm), LH		1
8	SP1528845	Ampad, Extended (375mm), RH		1
9	SP1443004	Ampad, Standard (325mm), LH		1
10	SP1449043	Ampad, Standard (325mm), RH		1
11	SP1571589	Ampad, Ergonomic, LH		1
12	SP1571588	Ampad, Ergonomic, RH		1
13	SP1585068	Ampad, Soft, LH		1
14	SP1585069	Ampad, Soft, RH		1

Following Armrest

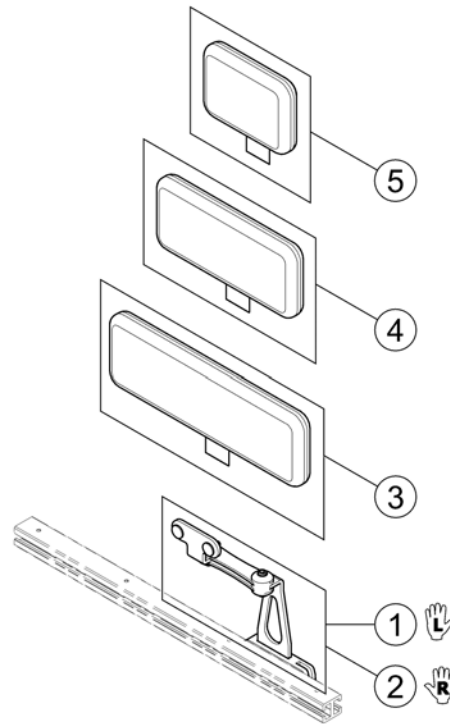
1585162 No



Pos.	Part number	Description	Valid from → until	Qty
-	-	Retrofitting the armrests on chairs built before 15-03-27 also requires new Pos. A & B and Sling Back with respective cut-outs! !!!		0
1	SP1585263	Armrest LH cpl. - Short Support	2015-01-19 →	1
2	SP1585264	Armrest RH cpl. - Short Support	2015-01-19 →	1
3	SP1585267	Armrest LH cpl. - Long Support	2015-01-19 →	1
4	SP1585268	Armrest RH cpl. - Long Support	2015-01-19 →	1
5	SP1585412	Ampad Support (Standard, Extended, Ergonomic), LH		1
6	SP1585413	Ampad Support (Standard, Extended, Ergonomic), RH		1
7	SP1585414	Ampad Support (Soft), LH		1
8	SP1585415	Ampad Support (Soft), RH		1
9	SP1443004	Ampad, Standard (325mm), LH		1
10	SP1449043	Ampad, Standard (325mm), RH		1
11	SP1528846	Ampad, Extended (375mm), LH		1
12	SP1528845	Ampad, Extended (375mm), RH		1
13	SP1571589	Ampad, Ergonomic, LH		1
14	SP1571588	Ampad, Ergonomic, RH		1
15	SP1585068	Ampad, Soft, LH		1
16	SP1585069	Ampad, Soft, RH		1
17	SP1583156	Amrest Support, long, LH		1
18	SP1583155	Amrest Support, long, RH		1
19	SP1583154	Amrest Support, short, LH		1
20	SP1582639	Amrest Support, short, RH		1

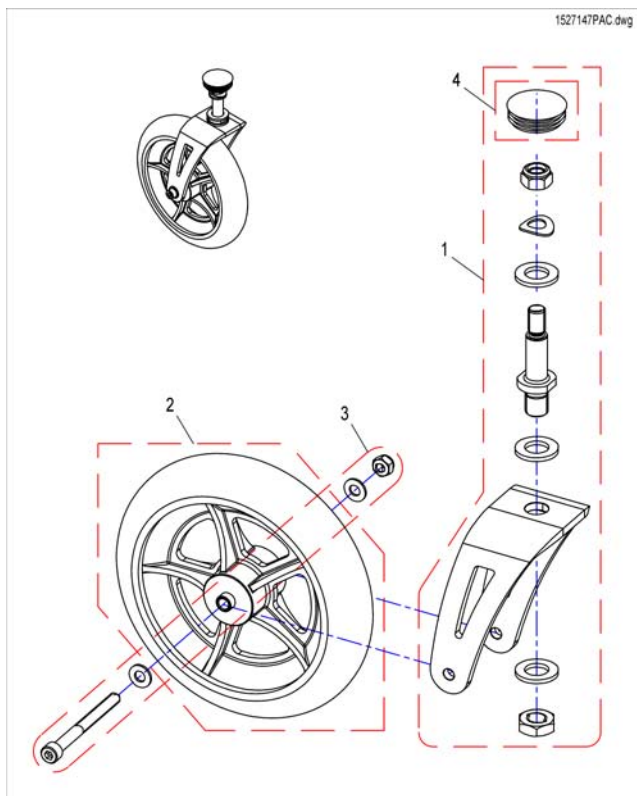
Hip Support

1580183 Rev



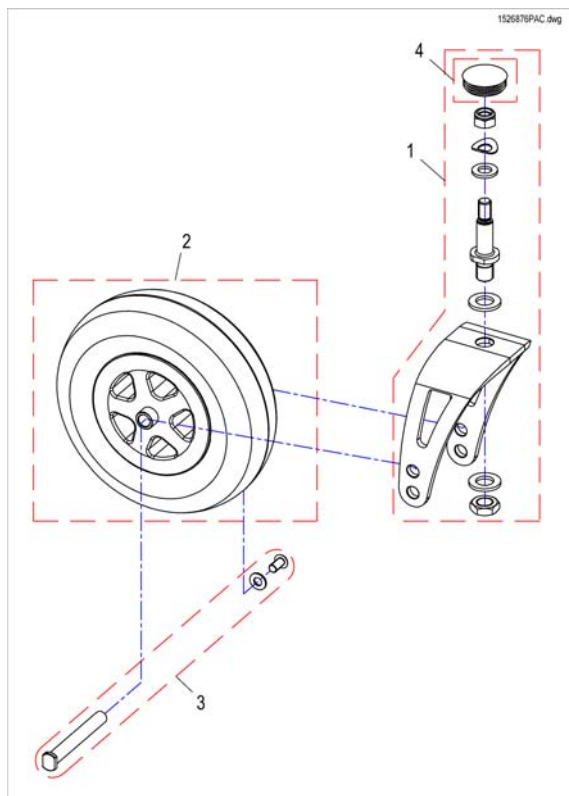
Pos.	Part number	Description	Valid from → until	Qty
1	SP1584411	Hip Support, Quick Release bracket, LH		1
2	SP1584410	Hip Support, Quick Release bracket, RH		1
3	SP1584414	Hip Support Pad, large (330x100 mm)		1
4	SP1584413	Hip Support Pad, medium (230x100 mm)		1
5	SP1584412	Hip Support Pad, small (140x100 mm)		1

Frontwheels 200x45



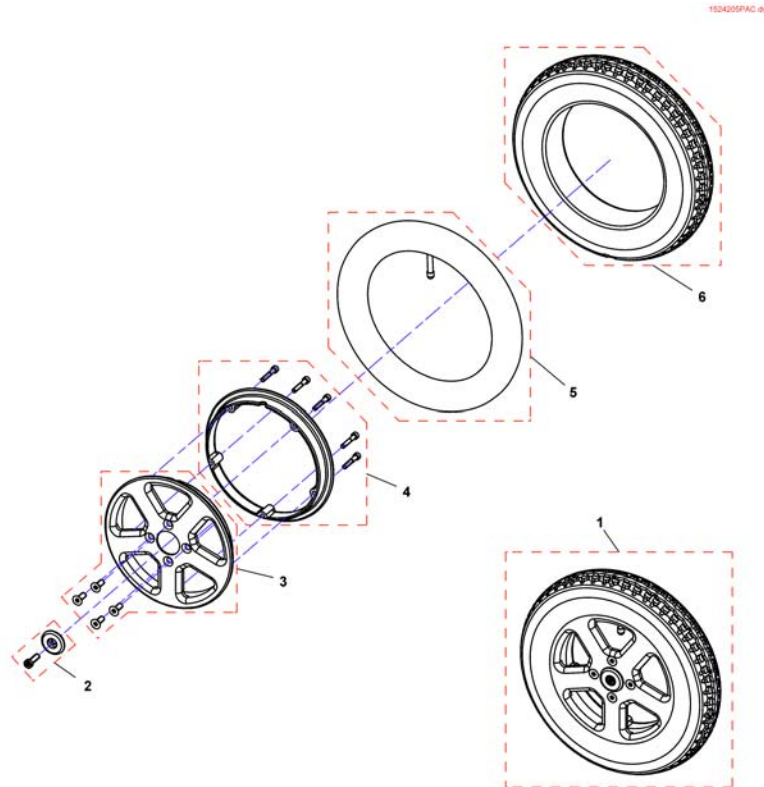
Pos.	Part number	Description	Valid from → until	Qty
1	SP1527848	Steering Fork		1
-	-	Wheel design has changed! Please order for both sides if required...		0
2	SP1579513	Castor With Spoked Rim 8" (200X45mm), Solid <i>S/N 14D06001217 => - replaces 1418196</i>	2014-04-11 →	1
3	SP1527849	Fastening-Kit		1
4	1421687	SLIDER SL 42, black		1

Frontwheels 230x60



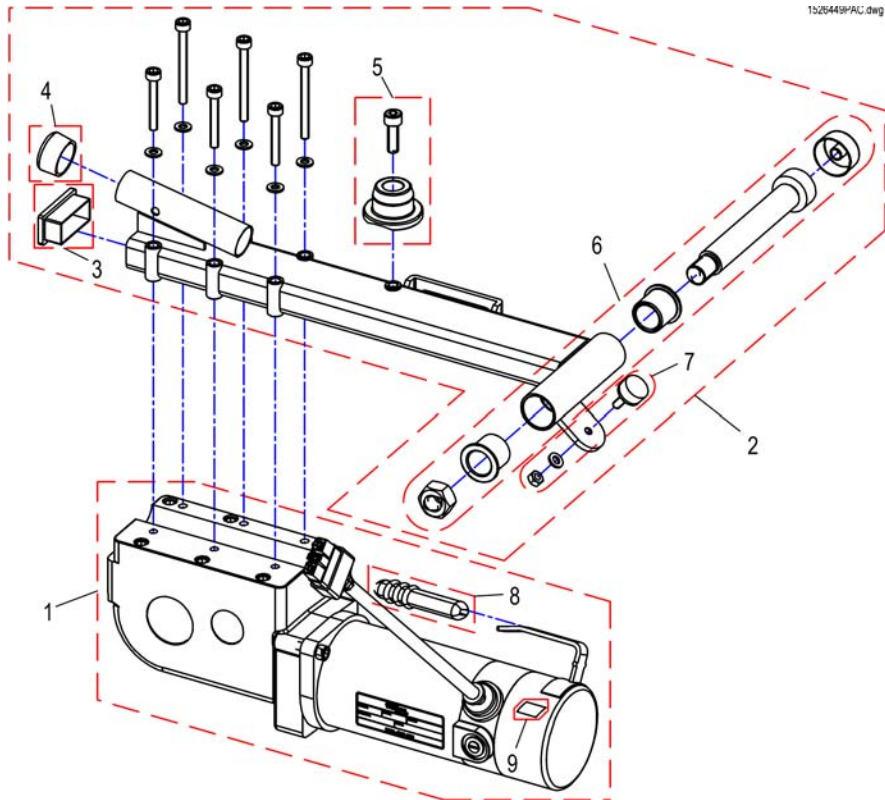
Pos.	Part number	Description	Valid from → until	Qty
1	SP1527839	Steering Fork		1
2	SP1478768	Wheel 230x60, puncture proof, grey, cpl. (C178-II NHS 2,80/2,50)		1
2	1483962	Wheel 230x60, pneumatic (C178-II NHS 2,80/2,50)		1
2	1513654	Tyre 230x60 (C178-II NHS 2,80/2,50)		1
2	SP1573940	Tyre Innova IA-2817-4 grey 2.80/2.50-4		1
2	1513655	Tube 230x60 (2,80/2,50-4 C178-II)		1
2	1513656	Tyre 230x60, puncture proof (C178-II Grey NHS 2,80/2,50-4)		1
2	SP1573941	Tyre Innova IA-2817-4 grey 2.80/2.50-4, puncture proof		1
3	1442510	WHEEL FIXING KIT		1
4	1421687	SLIDER SL 42, black		1

Drive Wheels



Pos.	Part number	Description	Valid from → until	Qty
1	SP1544263	Drivewheel, cpl., black, puncture proof		1
1	SP1544264	Drivewheel, cpl., silver, puncture proof		1
1	SP1544265	Drivewheel, cpl., black, pneumatic		1
1	SP1544266	Drivewheel, cpl., silver, pneumatic		1
2	SP1527853	Cover Wheel Hub (silver)		1
2	SP1527854	Cover Wheel Hub (black)		1
3	SP1527855	Outer Rim (silver)		1
3	SP1527856	Outer Rim (black)		1
4	SP1527857	Inner Rim (silver)		1
4	SP1527858	Inner Rim (black zinc coated)		1
5	M12004	Inner Tube 12.5" x 2.25"		1
6	23009262	Tire 12.5" x 2.25" Puncture Proof		1
6	M11005	Tire 12.5" x 2.25"		1

Motor =>31.07.2011



1526448PAC.dwg

Pos.	Part number	Description	Valid from → until	Qty
1	SP1527812	Drive, 6km/h, ACS2, LH		1
1	SP1527813	Drive, 6km/h, ACS2, RH		1
1	SP1527814	Drive, 10km/h, ACS2, LH		1
1	SP1527815	Drive, 10km/h, ACS2, RH		1
1	SP1536443	Drive, 6km/h, R-Net, LH		1
1	SP1536442	Drive, 6km/h, R-Net, RH		1
1	SP1536505	Drive, 10km/h, R-Net, LH		1
1	SP1536476	Drive, 10km/h, R-Net, RH		1
1	SP1536507	Drive, 6km/h, VR2, LH		1
1	SP1536506	Drive, 6km/h, VR2, RH		1
1	SP1536509	Drive, 10km/h, VR2, LH		1
1	SP1536508	Drive, 10km/h, VR2, RH		1
2	SP1530290	Swing Arm LH		1
2	SP1530289	Swing Arm RH		1
3	SP1524459	Plug		1
4	SP500017	Cap (round)		1
5	SP1527818	Spring Support		1
6	SP1527819	Bearing Swing Arm		1
7	SP1440366	rubber buffer		1
8	SP1101725	Cap, Declutching Lever		1
9	SP1551712	Labelset "Push/Drive"		1
10	SP1540358	Kit, brushes with caps, 2-pole (Set of 2)		1

Propulsion SSD - Details

Model	Speed	Motor	1	2	33	34	37	51	45	
Bora/ SpectraXTR	6km/h	ACS/ Shark	1	2	33	34	37	---	51	45
		VR2	3	4	33	34	43	---	51	45
		R-Net	5	6	33	34	41	---	51	45
BoraHD/ Spectra XTR2HD	6km/h	ACS/ Shark	54	55	33	34	39	---	51	46
		VR2	56	57	31	32	38	---	51	46
		R-Net	58	59	33	34	62	---	51	46
FDX	6km/h	ACS/ Shark	13	14	33	34	37	53	---	45
		VR2	15	16	31	32	38	---	51	46
		R-Net	17	18	33	34	37	---	51	45
Kite	6km/h	ACS/ Shark	17	18	33	34	37	---	51	45
		VR2	19	20	31	32	36	---	51	45
		R-Net	21	22	33	34	39	---	51	46
Kite HD	6km/h	ACS/ Shark	21	22	33	34	39	---	51	46
		VR2	23	24	31	32	38	---	51	46
		R-Net	25	26	34	33	39	53	---	46
Storm4/ Storm4 X-plore	6km/h	ACS/ Shark	47	48	34	33	39	---	51	46
		VR2	27	28	32	31	38	---	51	46
		R-Net	29	30	34	33	38	53	---	46
TDX-SP	6km/h	ACS/ Shark	25	26	34	33	39	53	---	46
		VR2	29	30	34	33	38	53	---	46
		R-Net	49	50	32	31	38	53	---	46
TDX-SP Narrow	6km/h	ACS/ Shark	25	26	34	33	39	53	---	46
		VR2	29	30	34	33	38	53	---	46
		R-Net	49	50	32	31	38	53	---	46

a) used from 26.09.11 / b) used from 07.09.11 / c) used from 18.04.11 / d) used from 01.08.11

Pos.	Part number	Description	Valid from → until	Qty
-	N23004	Feather key DIN6885-A-6x6x40		1
1	SP1524195	Propulsion cpl. LH, Gearbox i = 23:1, Motor, 2-pole, 250W, slow, 600mm cable		1
2	SP1524194	Propulsion cpl. RH, Gearbox i = 23:1, Motor, 2-pole, 250W, slow, 600mm cable		1
3	SP1541408	Propulsion cpl. LH, Gearbox i = 23:1, Motor, 2-pole, 250W, slow, 600mm cable, VR2		1
4	SP1541410	Propulsion cpl. RH, Gearbox i = 23:1, Motor, 2-pole, 250W, slow, 600mm cable, VR2		1
5	SP1541409	Propulsion cpl. LH, Gearbox i = 23:1, Motor, 2-pole, 250W, slow, 600mm cable, R-Net		1
6	SP1541411	Propulsion cpl. RH, Gearbox i = 23:1, Motor, 2-pole, 250W, slow, 600mm cable, R-Net		1
7	SP1524197	Propulsion cpl. LH, Gearbox i = 18:1, Motor, 2-pole, 250W, fast, 600mm cable		1
8	SP1524196	Propulsion cpl. RH, Gearbox i = 18:1, Motor, 2-pole, 250W, fast, 600mm cable		1
9	SP1541404	Propulsion cpl. LH, Gearbox i = 18:1, Motor, 2-pole, 250W, fast, 600mm cable, VR2		1
10	SP1541406	Propulsion cpl. RH, Gearbox i = 18:1, Motor, 2-pole, 250W, fast, 600mm cable, VR2		1
11	SP1541405	Propulsion cpl. LH, Gearbox i = 18:1, Motor, 2-pole, 250W, fast, 600mm cable, R-Net		1
12	SP1541407	Propulsion cpl. RH, Gearbox i = 18:1, Motor, 2-pole, 250W, fast, 600mm cable, R-Net		1
13	SP1168983	Propulsion cpl. LH, Gearbox i = 23:1, Motor, 2-pole, 250W, slow, 600mm cable		1
14	SP1168984	Propulsion cpl. RH, Gearbox i = 23:1, Motor, 2-pole, 250W, slow, 600mm cable		1
15	SP1168989	Propulsion cpl. LH, Gearbox i = 18:1, Motor, 4-pole, 340W, fast, 760mm cable		1
16	SP1168988	Propulsion cpl. RH, Gearbox i = 18:1, Motor, 4-pole, 340W, fast, 760mm cable		1
17	SP1568147	Propulsion cpl. LH, Gearbox i = 23:1, Motor, 2-pole, 250W, slow, 600mm cable		1

Propulsion SSD - Details

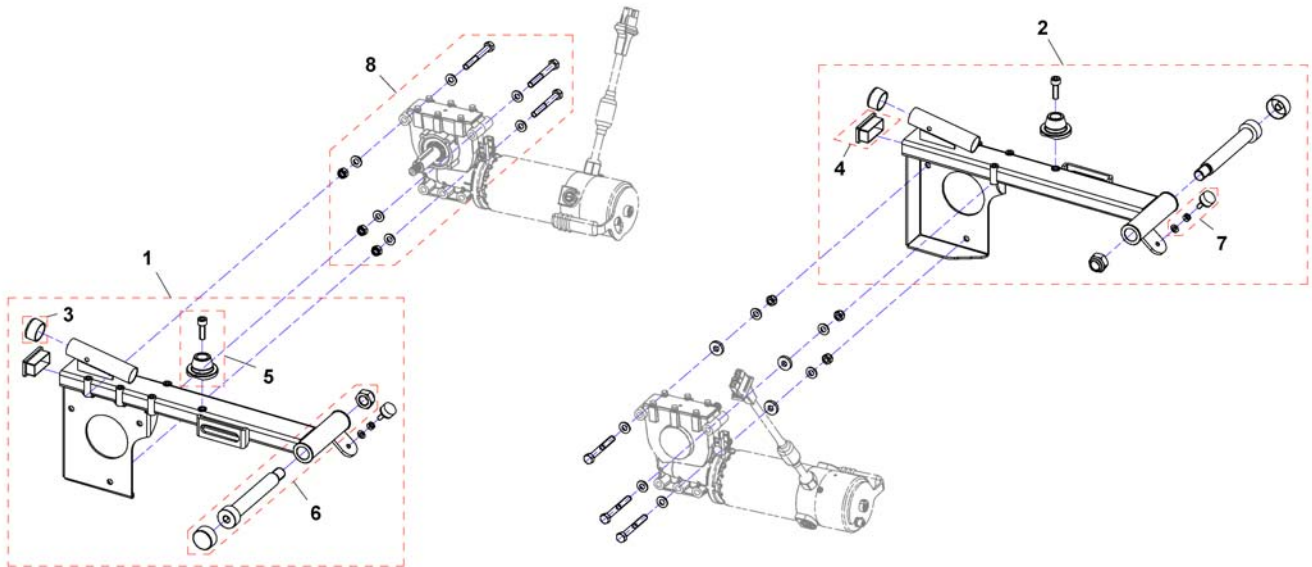
Pos.	Part number	Description	Valid from → until	Qty
18	SP1568148	Propulsion cpl. RH, Gearbox i = 23:1, Motor, 2-pole, 250W, slow, 600mm cable		1
19	SP1568149	Propulsion cpl. LH, Gearbox i = 18:1, Motor, 2-pole, 250W, fast, 600mm cable		1
20	SP1568150	Propulsion cpl. RH, Gearbox i = 18:1, Motor, 2-pole, 250W, fast, 600mm cable		1
21	SP1568151	Propulsion cpl. LH, Gearbox i = 23:1, Motor, 4-pole, 340W, slow, 760mm cable		1
22	SP1568152	Propulsion cpl. RH, Gearbox i = 23:1, Motor, 4-pole, 340W, slow, 760mm cable		1
23	SP1568153	Propulsion cpl. LH, Gearbox i = 18:1, Motor, 4-pole, 340W, fast, 760mm cable		1
24	SP1568208	Propulsion cpl. RH, Gearbox i = 18:1, Motor, 4-pole, 340W, fast, 760mm cable		1
25	SP1536022	Propulsion cpl. LH, Gearbox i = 23:1, Motor, 4-pole, 340W, slow, 760mm cable		1
26	SP1536021	Propulsion cpl. RH, Gearbox i = 23:1, Motor, 4-pole, 340W, slow, 760mm cable		1
27	SP1541366	Propulsion cpl. LH, Gearbox i = 18:1, Motor, 4-pole, 340W, fast, 760mm cable <i>S/N 061122610151 =></i>		1
28	SP1541365	Propulsion cpl. RH, Gearbox i = 18:1, Motor, 4-pole, 340W, fast, 760mm cable <i>S/N 061122610151 =></i>		1
29	SP1170307	Propulsion cpl. LH, Gearbox i = 23:1, Motor, 4-pole, 340W, fast, 760mm cable		1
30	SP1170306	Propulsion cpl. RH, Gearbox i = 23:1, Motor, 4-pole, 340W, fast, 760mm cable		1
31	SP1163413	Gearbox, LH, i = 18:1		1
32	SP1163412	Gearbox, RH, i = 18:1		1
33	SP1163415	Gearbox, LH, i = 23:1		1
34	SP1163414	Gearbox, RH, i = 23:1		1
35	SP1542953	Clamp band with clutch		1
36	SP1163099	Motor, 2-pole, 250W, fast, 600mm cable		1
37	SP1164046	Motor, 2-pole, 250W, slow, 600mm cable		1
38	SP1165863	Motor, 4-pole, 340W, fast, 760mm cable		1
39	SP1165865	Motor, 4-pole, 340W, slow, 760mm cable		1
40	SP1544840	Motor, 2-pole, 250W, fast, 600mm cable, VR2		1
41	SP1544796	Motor, 2-pole, 250W, slow, 600mm cable, R-Net		1
42	SP1544841	Motor, 2-pole, 250W, fast, 600mm cable, R-Net		1
43	SP1544795	Motor, 2-pole, 250W, slow, 600mm cable, VR2		1
45	SP1540358	Kit, brushes with caps, 2-pole (Set of 2)		1
46	SP1522967	Kit, brushes with caps, 4-pole (Set of 4)		1
47	SP1583821	Propulsion cpl. LH, Gearbox i = 23:1, Motor, 4-pole, 340W, slow, 760mm cable <i>S/N 061122812868 =></i>		1
48	SP1583822	Propulsion cpl. RH, Gearbox i = 23:1, Motor, 4-pole, 340W, slow, 760mm cable <i>S/N 061122812868 =></i>		1
49	SP1534060	Propulsion cpl. LH, Gearbox i = 18:1, Motor, 4-pole, 340W, fast, 760mm cable		1
50	SP1534059	Propulsion cpl. RH, Gearbox i = 18:1, Motor, 4-pole, 340W, fast, 760mm cable		1
51	SP1579595	Declutching knob SSD RH/LH (1 pc) <i>Single part. Consider to buy another one for the other side if required. - Replaces SP1168668, SP1168669 & SP1169005</i>		1
53	SP1169004	Declutching lever, complete set for both sides		1
54	SP1552782	Propulsion cpl. LH, Gearbox i = 23:1, Motor, 4-pole, 340W, slow, 760mm cable		1
55	SP1552783	Propulsion cpl. RH, Gearbox i = 23:1, Motor, 4-pole, 340W, slow, 760mm cable		1

Propulsion SSD - Details

Pos.	Part number	Description	Valid from → until	Qty
56	SP1552872	Propulsion cpl. LH, Gearbox i = 18:1, Motor, 4-pole, 340W, fast, 760mm cable		1
57	SP1552873	Propulsion cpl. RH, Gearbox i = 18:1, Motor, 4-pole, 340W, fast, 760mm cable		1
58	SP1552832	Propulsion cpl. LH, Gearbox i = 23:1, Motor, 4-pole, 340W, slow, 760mm cable, R-Net		1
59	SP1552833	Propulsion cpl. RH, Gearbox i = 23:1, Motor, 4-pole, 340W, slow, 760mm cable, R-Net		1
60	SP1552836	Propulsion cpl. LH, Gearbox i = 18:1, Motor, 4-pole, 340W, fast, 760mm cable, R-Net		1
61	SP1552837	Propulsion cpl. RH, Gearbox i = 18:1, Motor, 4-pole, 340W, fast, 760mm cable, R-Net		1
62	SP1562498	Motor, 4-Pol, 340W, slow, 760mm cabel, R-Net		1
63	SP1562499	Motor, 4-Pol, 340W, fast, 760mm cabel, R-Net		1

Swingarm SSD-Motor 18.04.2011=>

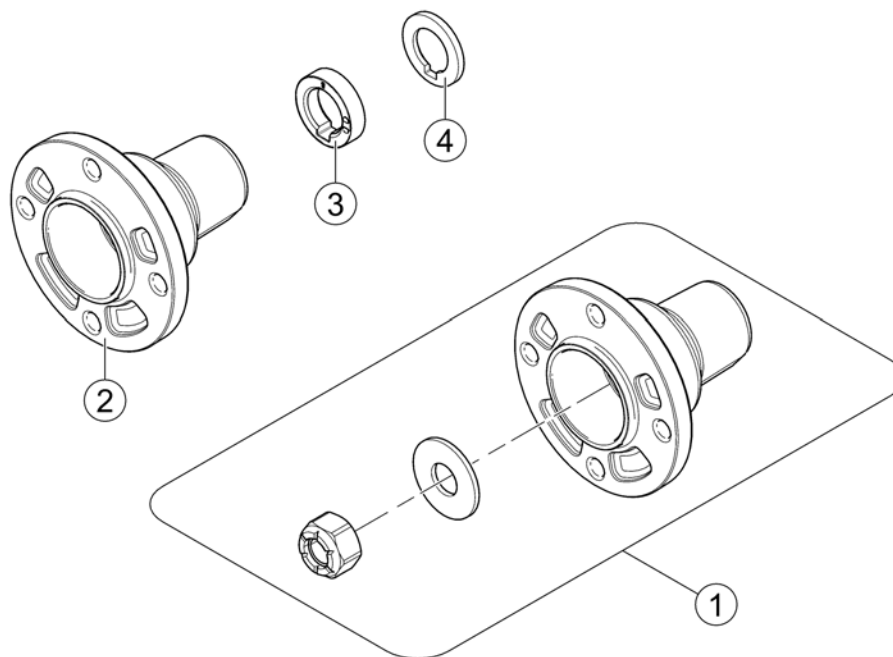
1526344.dwg



Pos.	Part number	Description	Valid from → until	Qty
1	SP1526344	Swingarm, cpl. RH		1
2	SP1526345	Swingarm, cpl. LH		1
3	SP500017	Cap (round)		1
4	SP1524459	Plug		1
5	SP1527818	Spring Support		1
6	SP1527819	Bearing Swing Arm		1
7	SP1440366	rubber buffer		1
8	SP1548781	Mounting-Kit SSD-Motor		1

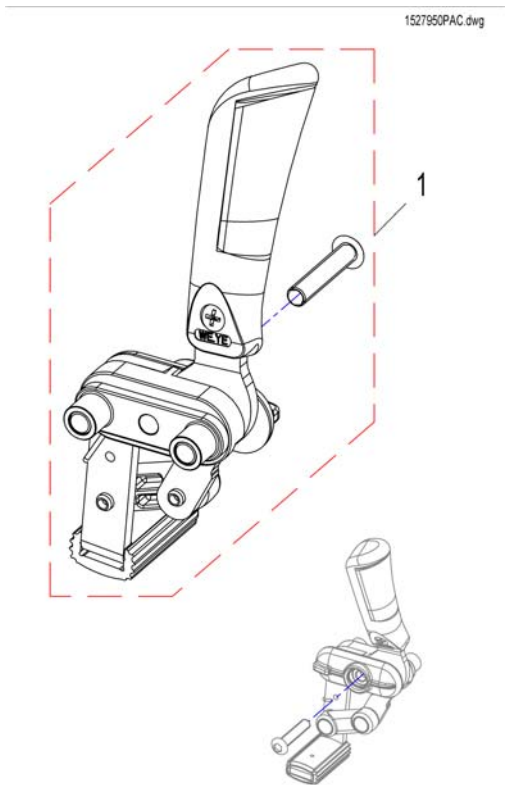
Hubs

1166543X.00



Pos.	Part number	Description	Valid from → until	Qty
1	SP1542993	Hub, 4-hole	2011-08-01 →	1
2	1509053-0002	Wheel Hub, 4-hole	→ 2011-07-31	1
3	SP1163730	Hub Spacer, 8mm thick		1
4	1423164-0002	Washer 19 mm with cutout for feather key		1

Holdingbrake



Pos.	Part number	Description	Valid from → until	Qty
1	SP1527950	Brake, LH		1
1	SP1527949	Brake, RH		1

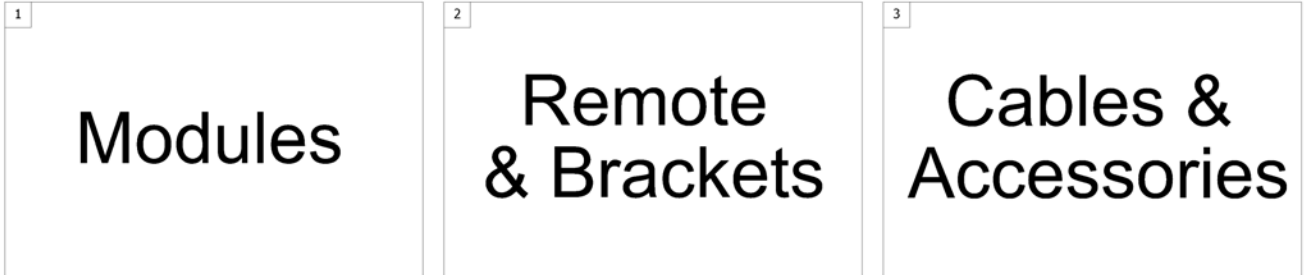
SPCBORATO.iss



Pos.	Part number	Description	Valid from → until	Qty
-		ACS Electronic		0
-		Shark Electronic		0
-		R-NET Electronic		0
-		VR2 Electronic		0
-		Drive Lockout ACS / Shark		0

ACS Electronic

1500784.indd



Pos.	Part number	Description	Valid from → until	Qty
1	-	ACS Electronic Modules		1
2	-	ACS Remote & Brackets		1
3	-	ACS Cables & Accessories		1

ACS Electronic Modules

Pos.	Part number	Description	Valid from → until	Qty
-		Powermodules		1
-		Holder for Electronic ACS 2		1
-		ACT 2 for ACS 1, with Holder		1
-		ACT-Brackets		1
-		Lightboard		1
-		Lightboardholder Shark/ACS2		1
-		G-Trac-sensor		1
-		Holder for Gyro		1

Powermodules

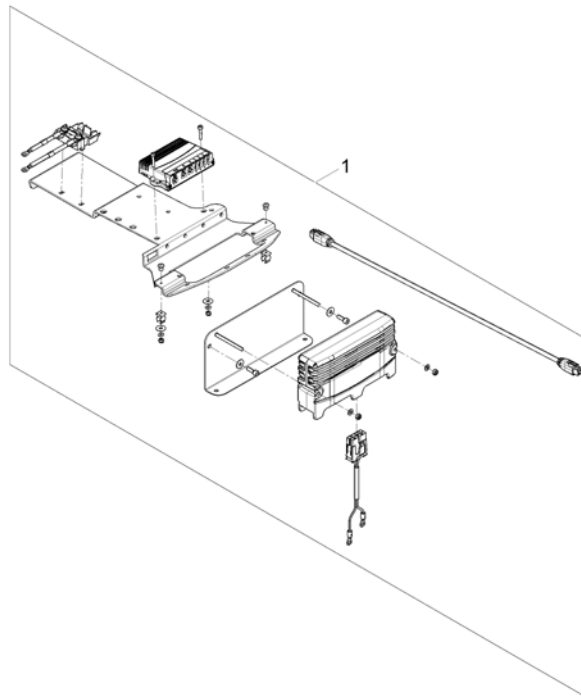
Powermodule list

	Shark					Dynamics						ACS 2				Penny & Giles		
	DK-PMB01	DK-PMB21	DK-PMB28	DK-PMB50	DK-PMC28	DX-PMB-AS	DX-PMB-2	DX-PMB2-SAS	DX-GB-AS	DX-GB-ASG	DX-GB-AS II	DX2-PMA70	DX2-PMA70L	DX2-PMA90L	DX2-PMA90LG	Pilot + Pilot+ 50-xM 50A	VR2 60	VR2 60-A2
Bora / SpectraXTR	2	3	8								12	13	14	15		25	26	27
Dragon	2	3					28											
Dragon Vertic	2	3					29											
FDX											12	13	14	15				
G49								7										
G50								7										
Mirage	2	3													24	25	26	
Mistral	2	3				NLA												
Pronto M61	2	3													24	25	26	27
Spectra Blitz	2	3				NLA									24	25	26	27
Spectra Comfort	2	3				NLA					12	13			24	25	26	27
Spectra Plus	2	3				NLA					12	13			24	25	26	27
Spectra Seat Riser	2	3				NLA									24	25	26	27
Storm ³	2	3				NLA	30											
Storm ³ GB									9									
Storm ³ Vertic										31								
Storm4													14	15				
Storm4 MAX													14	15				
Stream			8	6	4													
TDX-SP																		
Tiger	2	3					28				12	13						
Topan							29											
Tornado	2	3					NLA											
Typhoon							NLA											
Typhoon GB									9									
Typhoon II									9									
Zephyr										10								

Pos.	Part number	Description	Valid from → until	Qty
NLA	-	No longer available.		0
-	SP1555702	Gasket kit for ACS2, Powermodule and ACT		1
2	1433332	Powermodule, Shark, 75A, drive only, DK-PMB01		1
3	1448744	Powermodule, Shark, 75A, 2 actuators, DK-PMB21		1
4	1136898	Powermodule, Shark, 90A, 2 actuators, DK-PMC28		1
6	SP1537235	Powermodule, Shark, DK-PMB50		1
7	1451448	Powermodule, ACS, 160A, DX-PMB2-SAS		1
8	SP1577053	Powermodule, Shark, 75A, 2 Actuators & Drive Lockout, DK-PMB28 <i>[0977]</i>		1
9	1430150	Powermodule for GB-motors, ACS, 100A, DX-GB AS		1
10	AT.1496444	Powermodule for GB-motors, ACS, 100A, (only Zephyr), DX-GB-ASG		1
12	SP1528673	Powermodule, ACS2, 70A, DX2-PMA70 <i>Lock washer between module and bracket!</i>		1
13	SP1523433	Powermodule, ACS2, 70A, with light, DX2-PMA70L <i>Lock washer between module and bracket!</i>		1
14	SP1524244	Powermodule, ACS2, 90A, with light, DX2-PMA90L <i>Lock washer between module and bracket!</i>		1
15	SP1537975	Powermodule, ACS2, 90A, for light and G-Trac, DX2-PMA90LG <i>Lock washer between module and bracket!</i>		1
24	30000265	Powermodule, Pilot +, 50A, Pilot+ 50-xM		1
25	SP1504056	Powermodule, VR2, 60A, only drive, VR2 60		1
26	SP1510131	Powermodule, VR2, 60A, 2 actuators, VR2 60-A2		1
27	SP1532445	Powermodule, R-net, 80A, 2 actuators, R-net EL PM90		1
28	-	Upgrade-Kit 80A ACS => ACS2, Dragon / Tiger / Topan		1
29	-	Upgrade-Kit 80A ACS => ACS2, Dragon Vertic		1
30	-	Retrofit-Kit 80A ACS => ACS2		1
31	-	Upgrade-Kit 80A ACS => ACS2, Storm ³ Vertic		1

Upgrade-Kit 80A ACS => ACS2, Dragon / Tiger / Topan

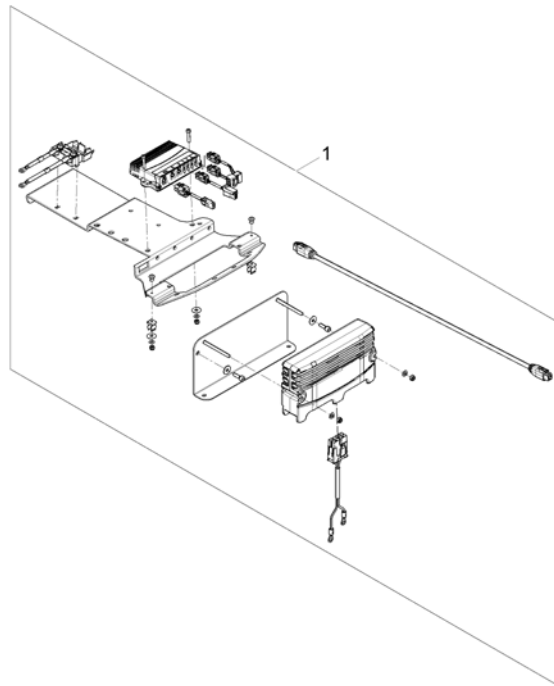
1570293.00



Pos.	Part number	Description	Valid from → until	Qty
1	SP1570293	Upgrade-Kit ACS 80A ==> ACS2 <i>Driver program to be updated. Please contact IVCR Service / Lock wascher between module and bracket!</i>		1

Upgrade-Kit 80A ACS => ACS2, Dragon Vertic

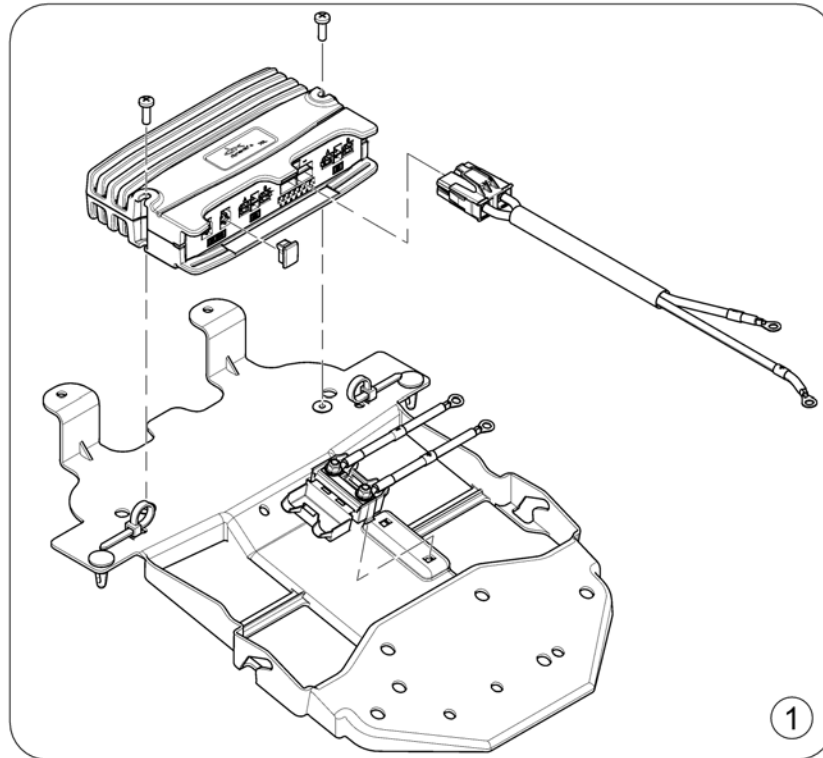
1571619.00



Pos.	Part number	Description	Valid from → until	Qty
1	SP1570367	Upgrade-Kit DragonVertic ACS 80A ==> ACS2 <i>Driver program to be updated. Please contact IVCR service / Lock washer between module and bracket!</i>		1

Retrofit-Kit 80A ACS => ACS2

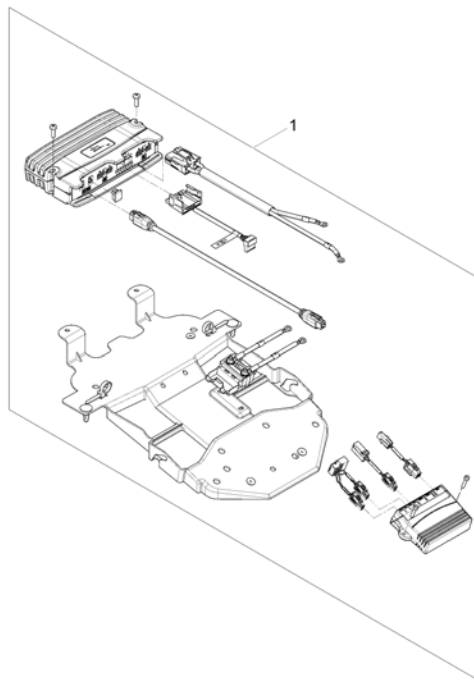
1570376.000



Pos.	Part number	Description	Valid from → until	Qty
1	SP1570290	Retrofit-Kit 80A ACS1 => ACS2 (Storm3) <i>Driver program to be updated. Please contact IVCR Service</i>		1

Upgrade-Kit 80A ACS => ACS2, Storm³ Vertic

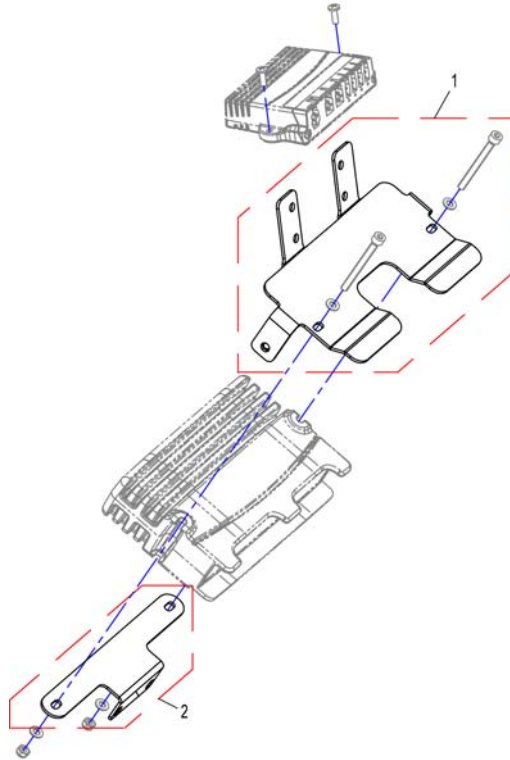
1570369.00



Pos.	Part number	Description	Valid from → until	Qty
1	SP1570369	Upgrade-Kit ACS 80A ==> ACS2, Storm ³ Vertic <i>Driver program to be updated. Please contact IVCR Service</i>		1

Holder for Electronic ACS 2

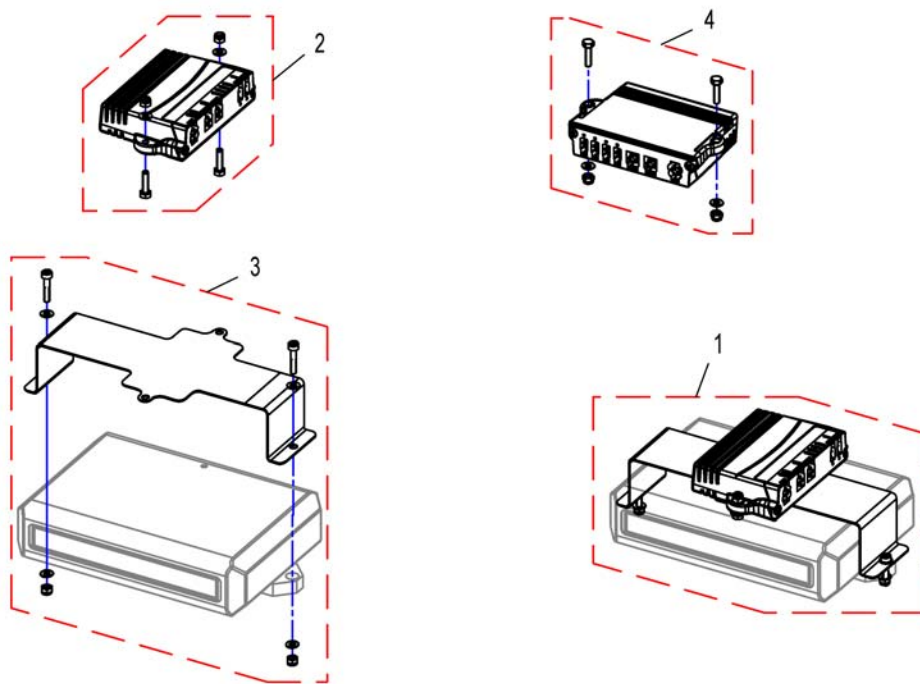
1530726X.dwg



Pos.	Part number	Description	Valid from → until	Qty
1	SP1530583	Holder for Electronic <i>Lock washer between module and bracket!</i>		1
2	SP1530584	Holder Powermodule <i>Lock washer between module and bracket!</i>		1

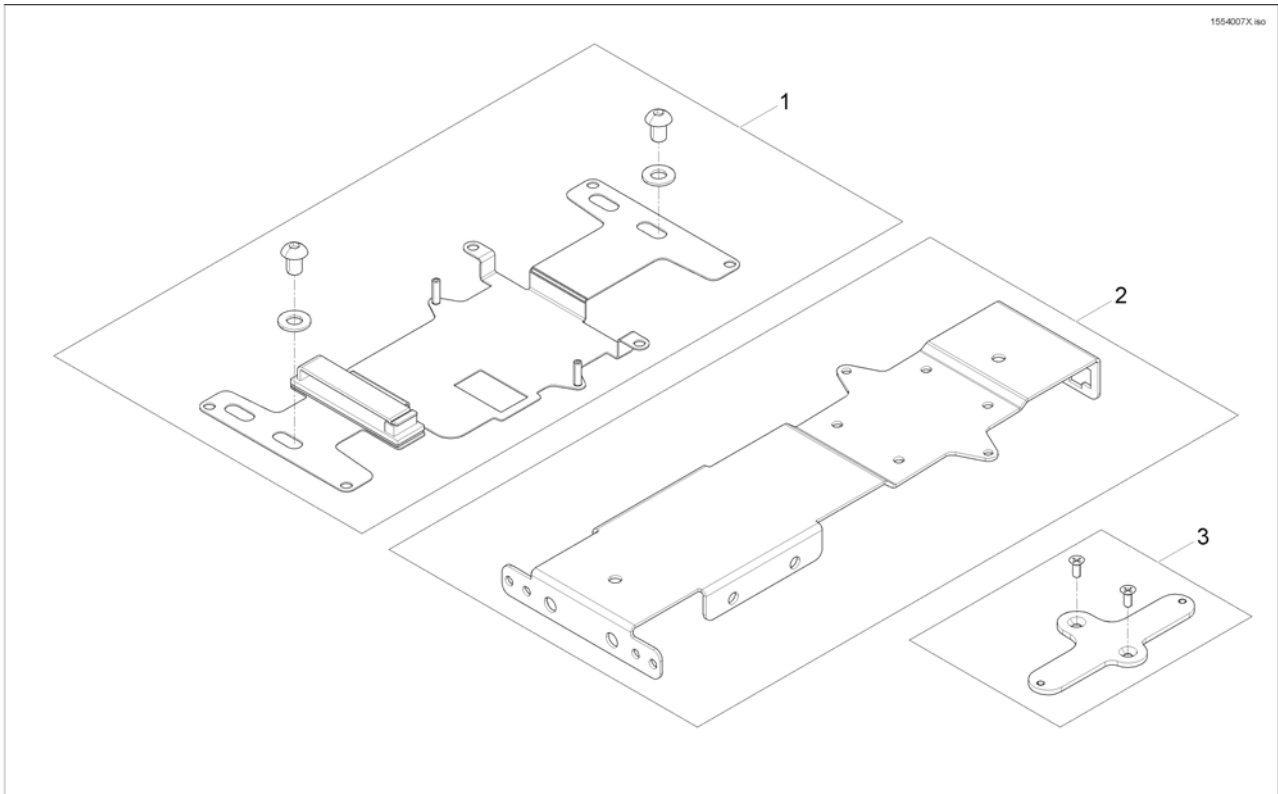
ACT 2 for ACS 1, with Holder

1527842PAC.dwg



Pos.	Part number	Description	Valid from → until	Qty
1	SP1527842	ACT2 for ACS1, kmpl. with Holder		1
2	SP1528542	ACT2 for ACS2, cpl.		1
3	SP1528543	Holder for ACT2, cpl.		1
4	SP1527170	ACT4, cpl.		1

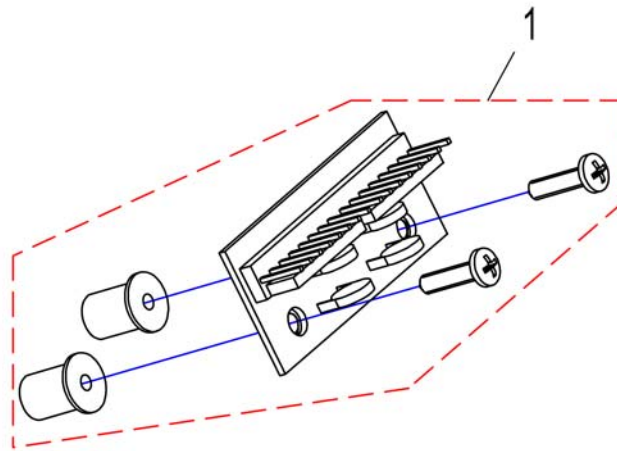
ACT-Brackets



Pos.	Part number	Description	Valid from → until	Qty
1	SP1569960	ACT bracket		1
2	SP1564650	Multi support bracket		1
3	SP1554007	ACT cross bracket		1

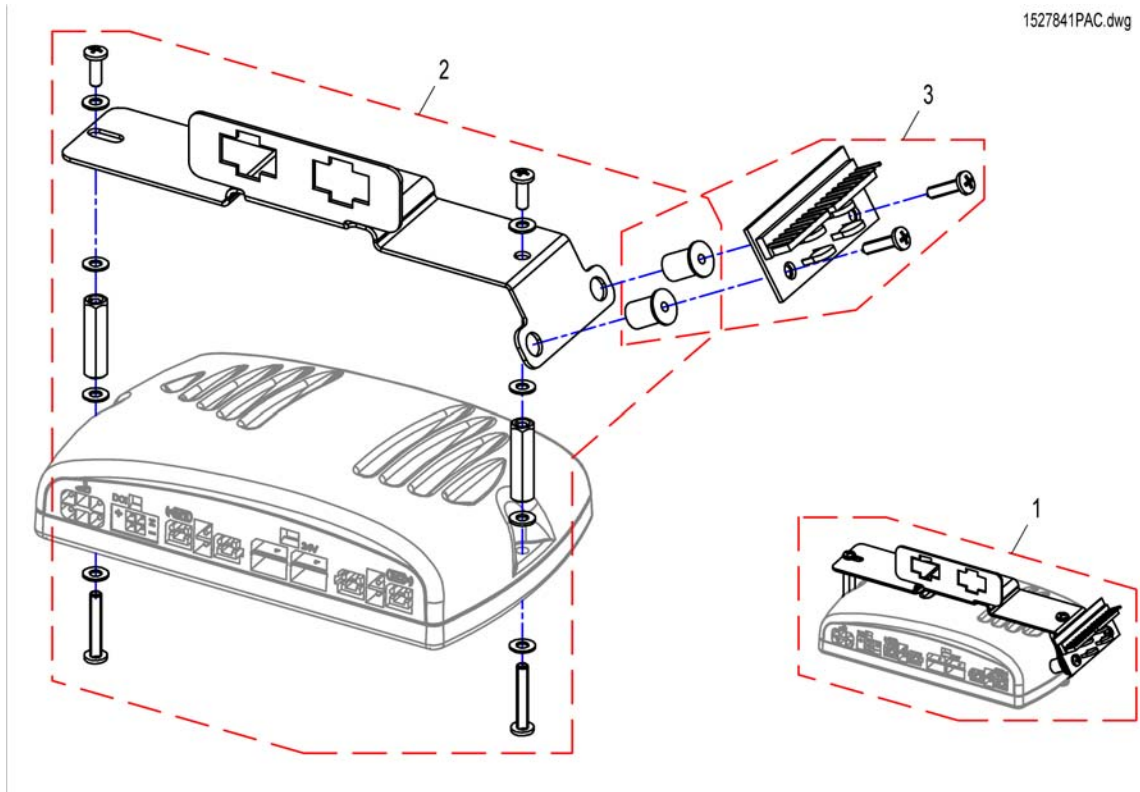
Lightboard

1528550X.dwg



Pos.	Part number	Description	Valid from → until	Qty
1	SP1528550	Lightboard for all elektronik systems		1

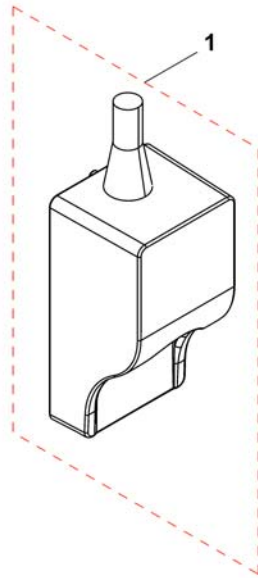
1527841PAC.dwg



Pos.	Part number	Description	Valid from → until	Qty
1	SP1527841	Lightboard with Holder Shark/ACS 2		1
2	SP1528412	Holder for Light Board		1
3	SP1528550	Lightboard for all elektronik systems		1

G-Trac-sensor

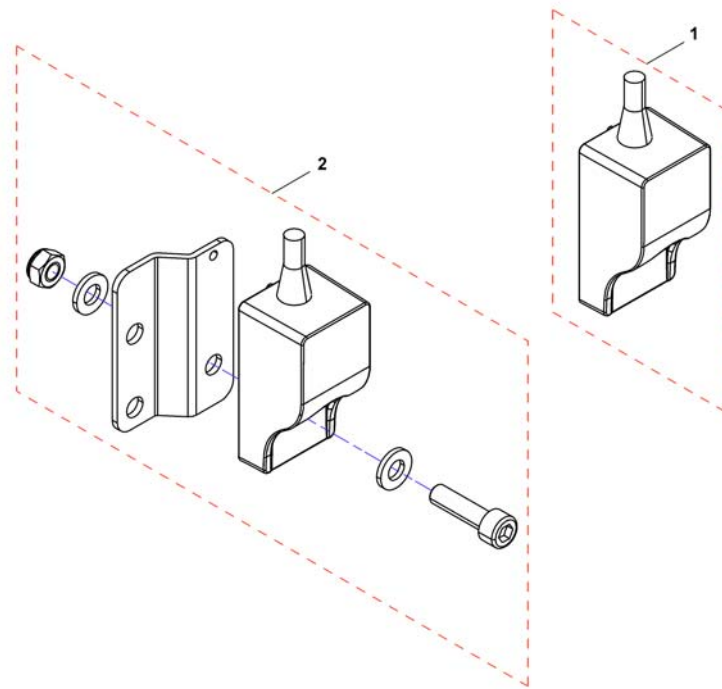
1537848X.dwg



Pos.	Part number	Description	Valid from → until	Qty
1	SP1541535	G-Trac		1

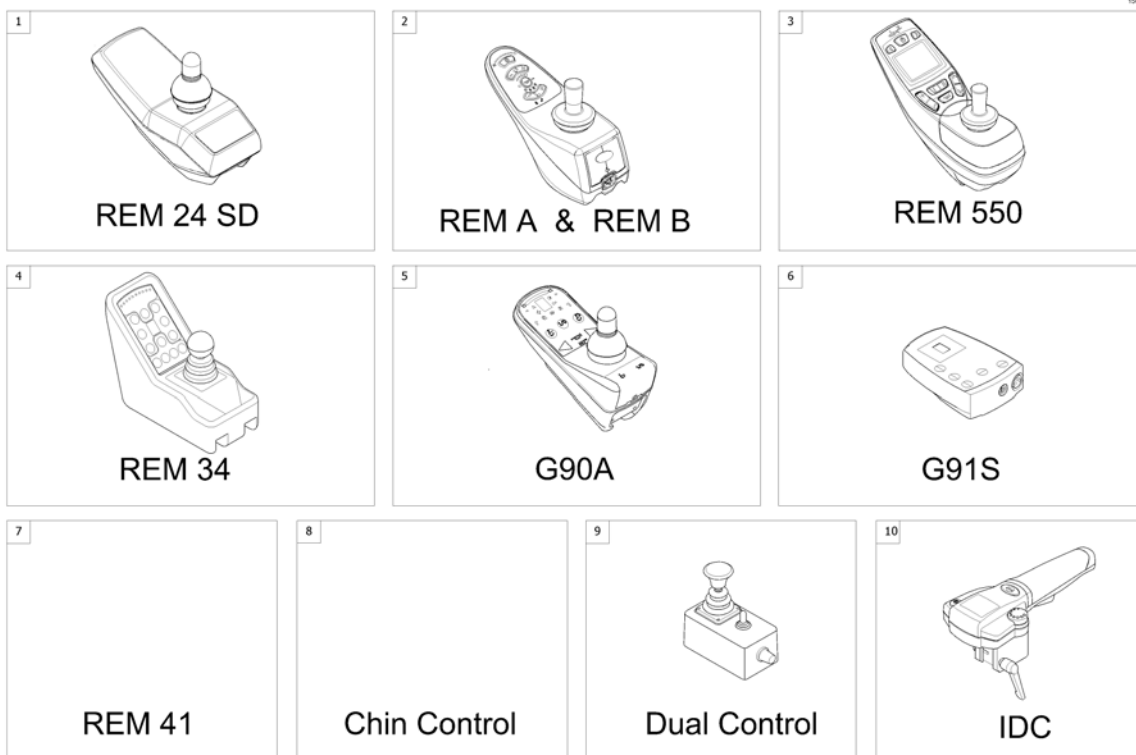
Holder for Gyro

153016X.dwg



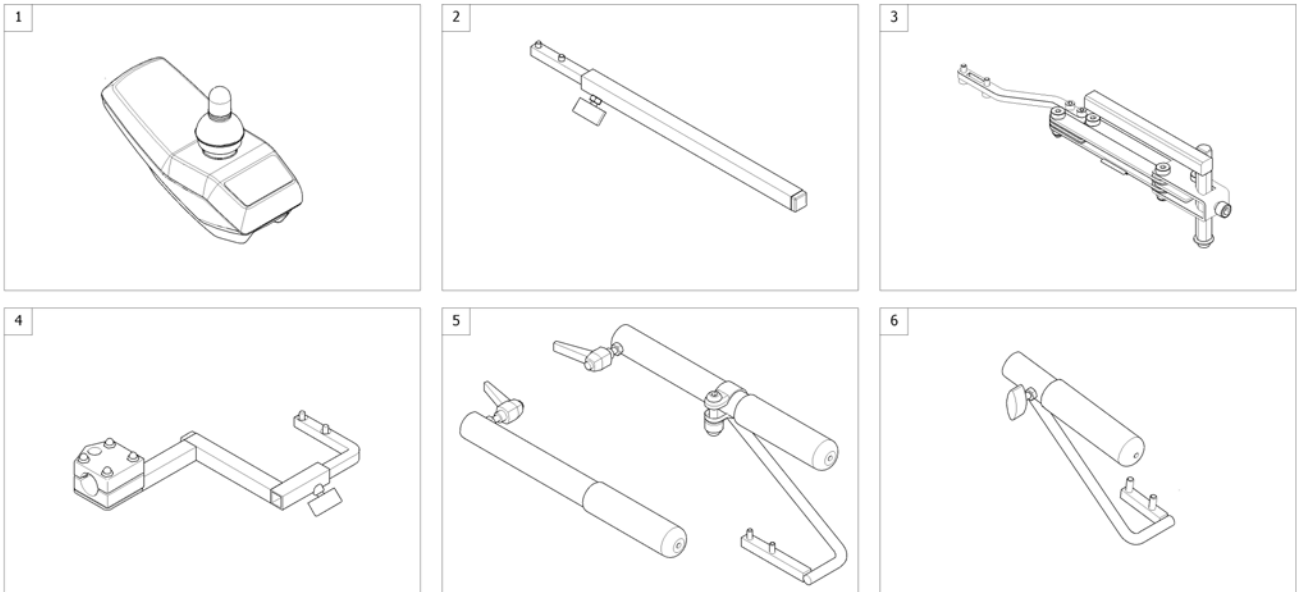
Pos.	Part number	Description	Valid from → until	Qty
1	SP1541724	Holder Gyro		1

ACS Remote & Brackets



Pos.	Part number	Description	Valid from → until	Qty
1	-	Remote REM 24 SD with Brackets <i>[1601/1602]</i>		1
2	-	Remote REM A & B with Brackets <i>[1638/1639/1643/1644]</i>		1
3	-	Remote REM 550 with Brackets <i>[1617/1618]</i>		1
4	-	Remote REM 34 with Brackets <i>[1611]</i>		1
5	-	Remote G 90 A with Brackets <i>[1614/1616]</i>		1
6	-	Remote G91S with Brackets <i>[1615]</i>		1
7	-	Centre control ACS REM41 <i>[1607/1608]</i>		1
8	-	Remote Small Chin Control with Brackets <i>[1609]</i>		1
9	-	Remote Dual Control with Brackets <i>[1291/1292]</i>		1
10	-	Remote IDC Dual Control with Brackets <i>[1645]</i>		1

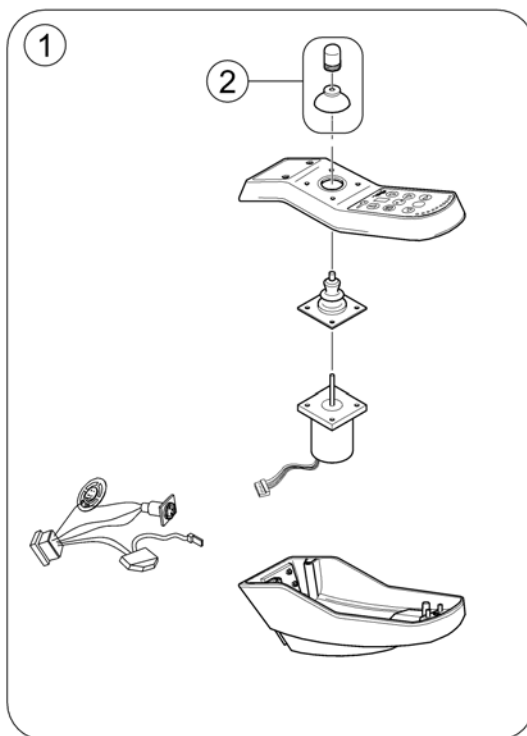
1560836 iso



Pos.	Part number	Description	Valid from → until	Qty
1	-	Remote REM 24SD [1601/1602]		0
2	-	Remote Bracket Standard [1601+1207/1208]		1
3	-	Remote Bracket Swing away & height adjust. [1601+1707/1708]		1
4	-	Remote Bracket Attendant for Standard-/Flex2-/Max-Seat [1602+1207/1208]		1
5	-	Remote Bracket Attendant long for Firm Seat [1602+1207/1208]		1
6	-	Remote Bracket Attendant short for Firm Seat [1602+1207/1208]		1

Remote REM 24SD

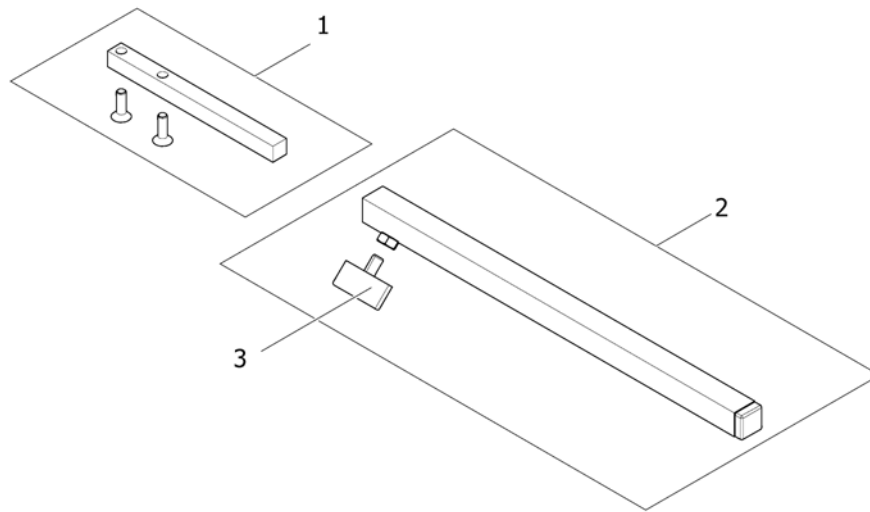
142802 860



Pos.	Part number	Description	Valid from → until	Qty
1	1436541	Remote REM24SD		1
2	SPZ183229	Remote knob cpl.		1

Remote Bracket Standard

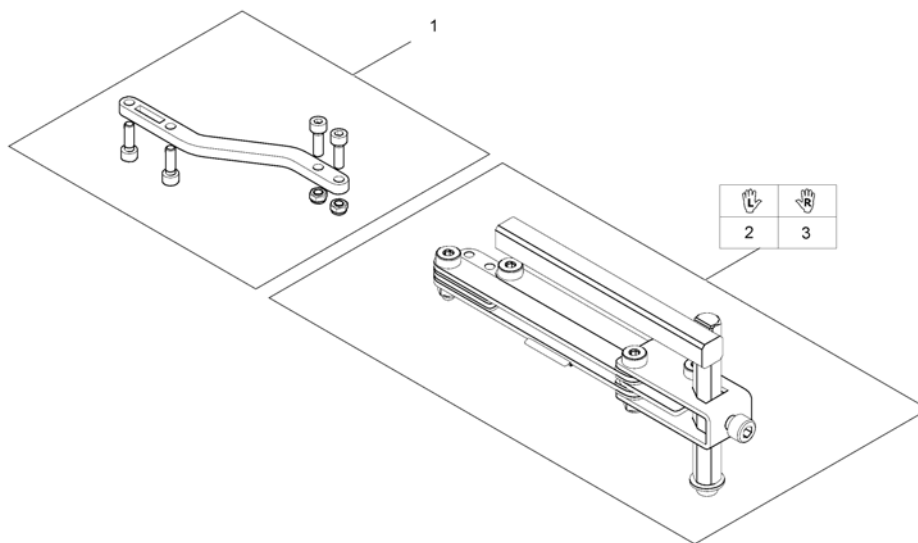
1559851.iso



Pos.	Part number	Description	Valid from → until	Qty
1	SP1436542	Support, Standard		1
2	SPS183040	Remote Bracket, Standard		1
3	L31001	Wing ScREW M6X10		1

Remote Bracket Swing away & height adjust.

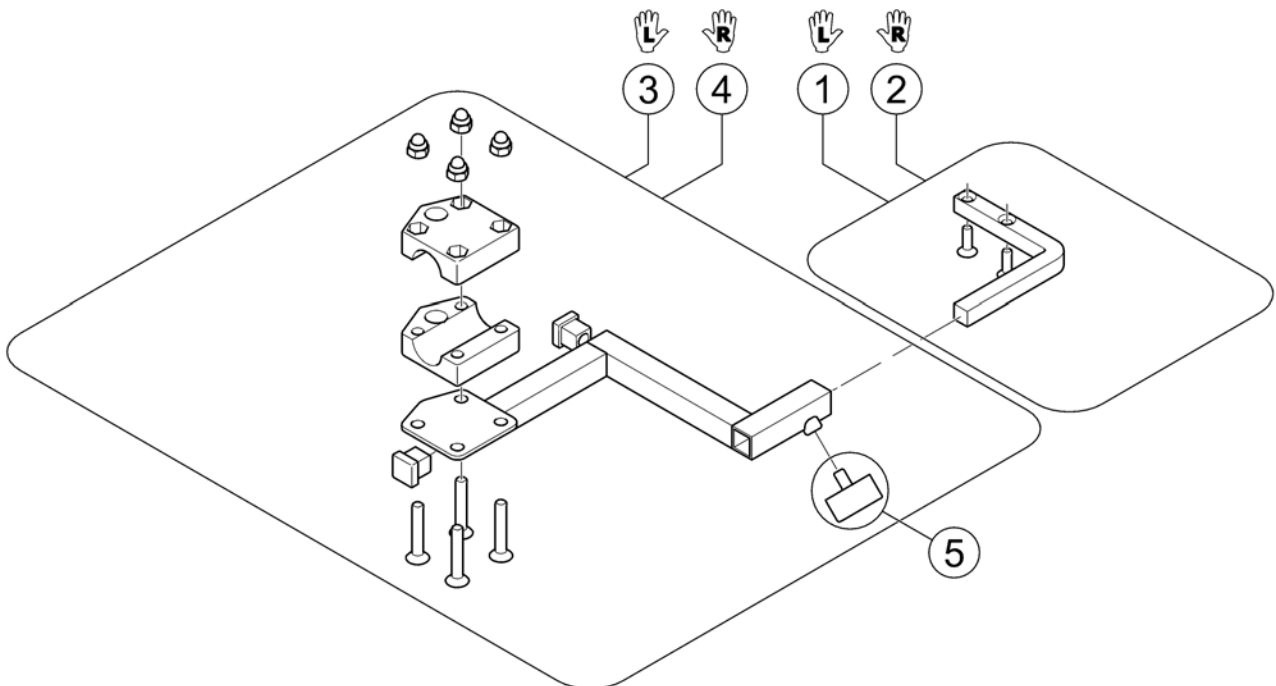
1559852.iso



Pos.	Part number	Description	Valid from → until	Qty
1	SP1498222	Remote Support for Bracket height adjustable and swing away		1
2	SP1496249	Remote bracket, height adjustable & swing away, LH		1
3	SP1496248	Remote bracket, height adjustable & swing away, RH		1

Remote Bracket Attendant for Standard-/Flex2-/Max-Seat

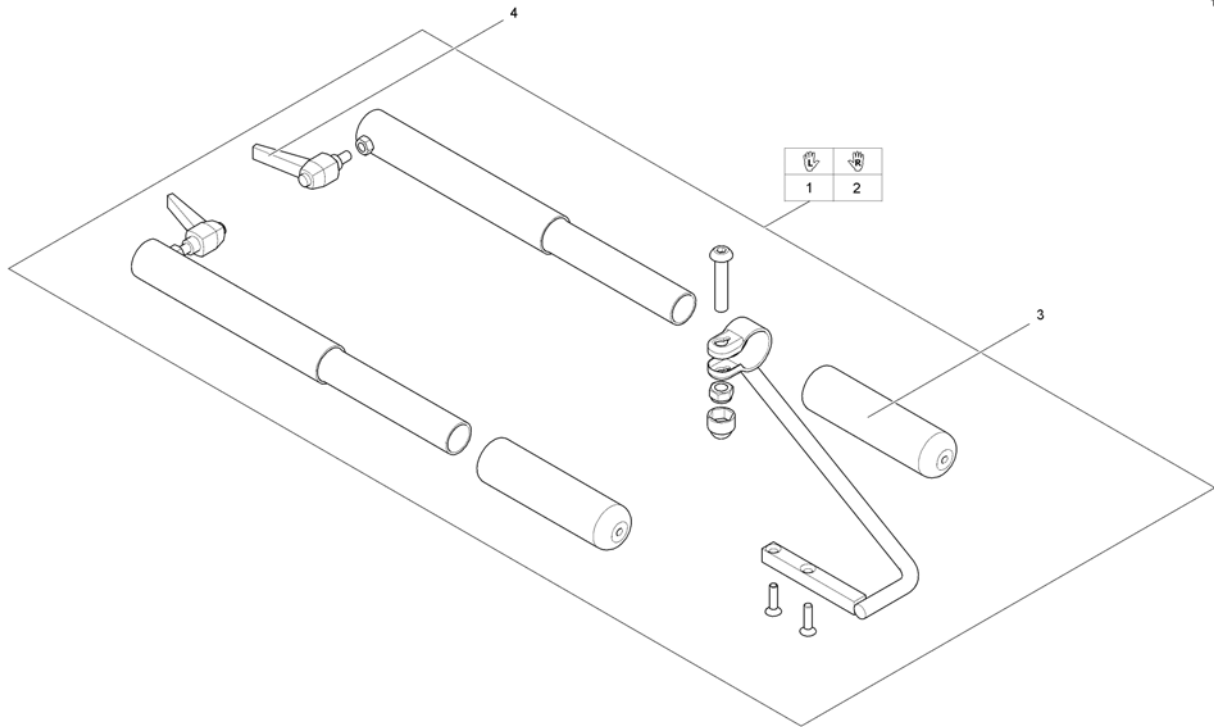
1560837.00



Pos.	Part number	Description	Valid from → until	Qty
1	1422806	Remote Support LH		1
2	1422810	Remote Support RH		1
3	SP1422937	Bracket for attendant control LH		1
4	SP1422936	Bracket for attendant control RH		1
5	L31001	Wing ScREW M6X10		1

Remote Bracket Attendant long for Firm Seat

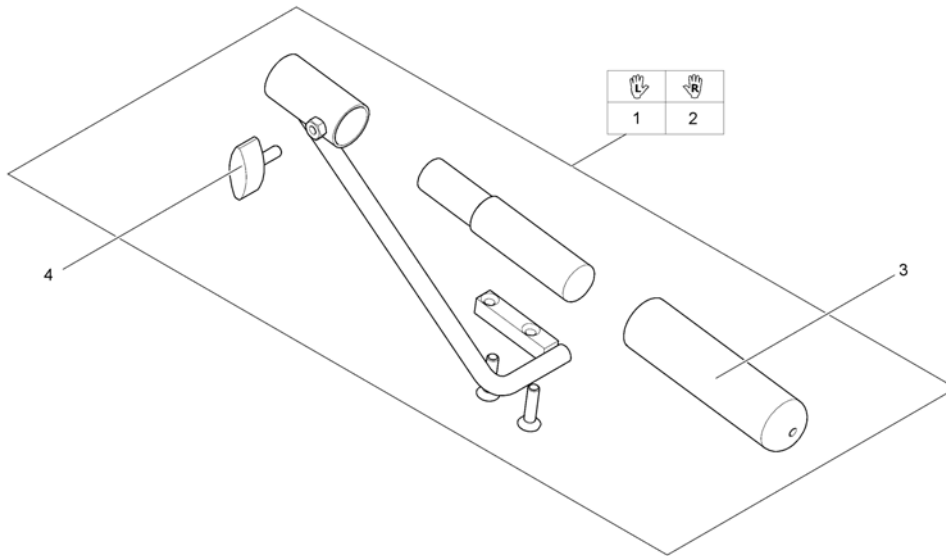
1559854.iso



Pos.	Part number	Description	Valid from → until	Qty
1	SP1511739	Remoteholder for Attendant Control ACS & Shark LH		1
2	SP1511766	Remoteholder for Attendant Control ACS & Shark RH		1
3	1435421	Handle plastic black Ø22 "Invacare"		1
4	L32902	LEVER M6 X 10; BLACK		1

Remote Bracket Attendant short for Firm Seat

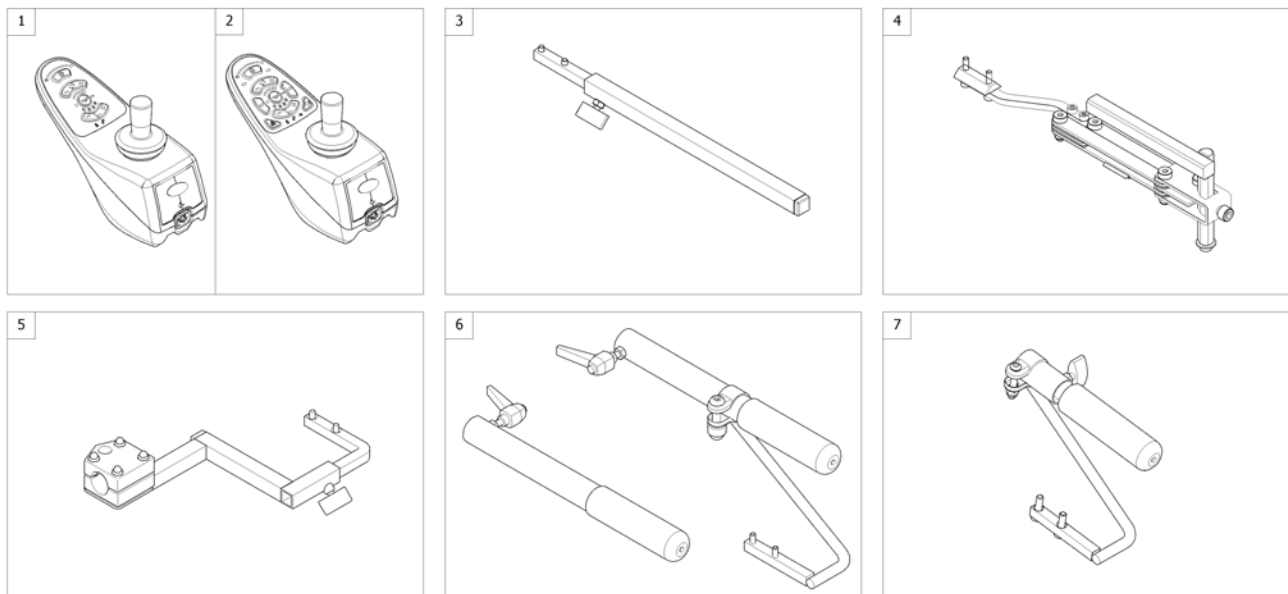
1559853.iso



Pos.	Part number	Description	Valid from → until	Qty
1	SP1544050	Remote Bracket Attendant short for Firm Seat LH		1
2	SP1544049	Remote Bracket Attendant short for Firm Seat RH		1
3	1435421	Handle plastic black Ø22 "Invacare"		1
4	L10024	Wing knobs M6x16		1

Remote REM A & B with Brackets

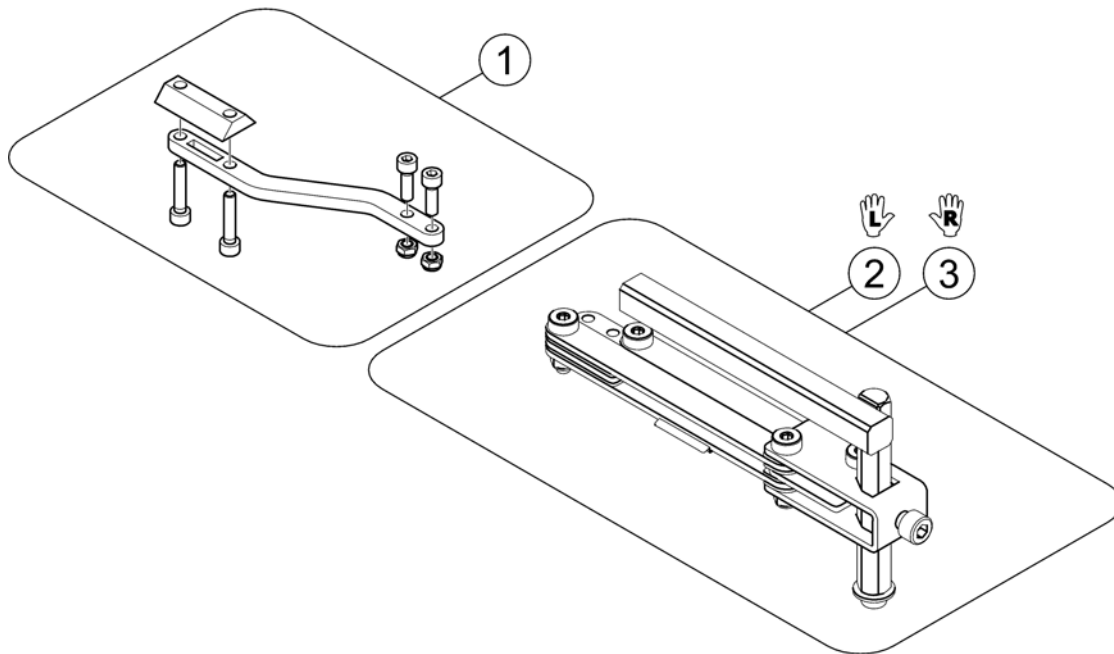
1560839 iso



Pos.	Part number	Description	Valid from → until	Qty
1	SP1523440	Remote "REM A" <i>[1638/1643]</i>		1
2	SP1523445	Remote "REM B" <i>[1639/1644]</i>		1
3	-	Remote Bracket Standard <i>[1638/1639+1207/1208]</i>		1
4	-	Remote Bracket Swing away & height adjust. <i>[1638/1639+1707/1708]</i>		1
5	-	Remote Bracket Attendant for Standard-/Flex2-/Max-Seat <i>[1643/1644+1207/1208]</i>		1
6	-	Remote Bracket Attendant long for Firm Seat <i>[1643/1644+1207/1208]</i>		1
7	-	Remote Bracket Attendant short for Firm Seat <i>[1643/1644+1207/1208]</i>		1

Remote Bracket Swing away & height adjust.

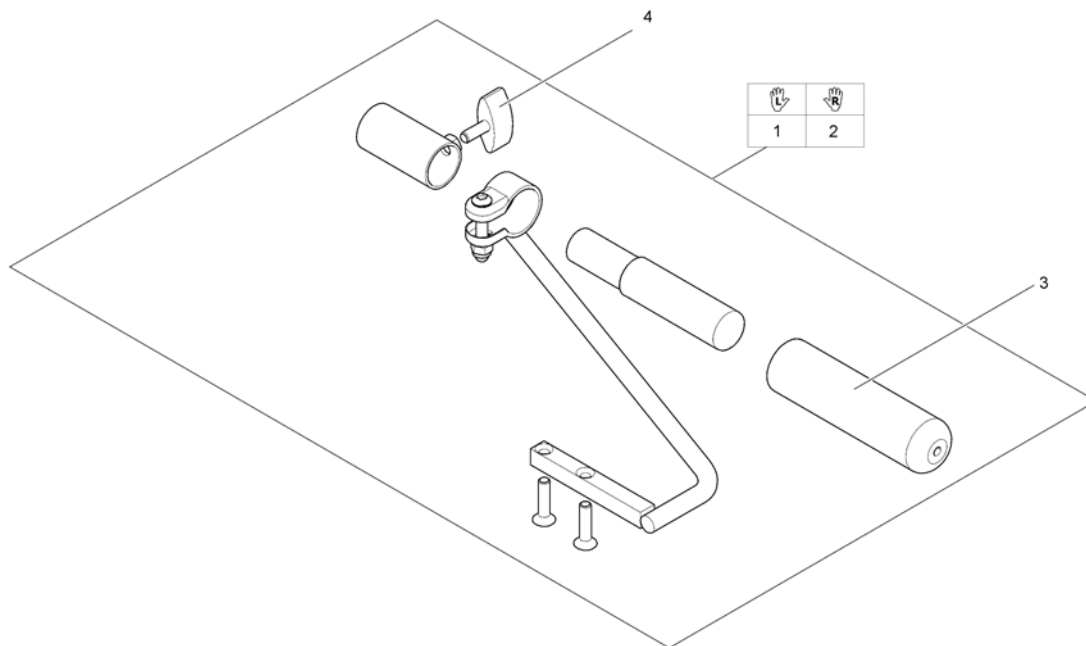
1559857.iso



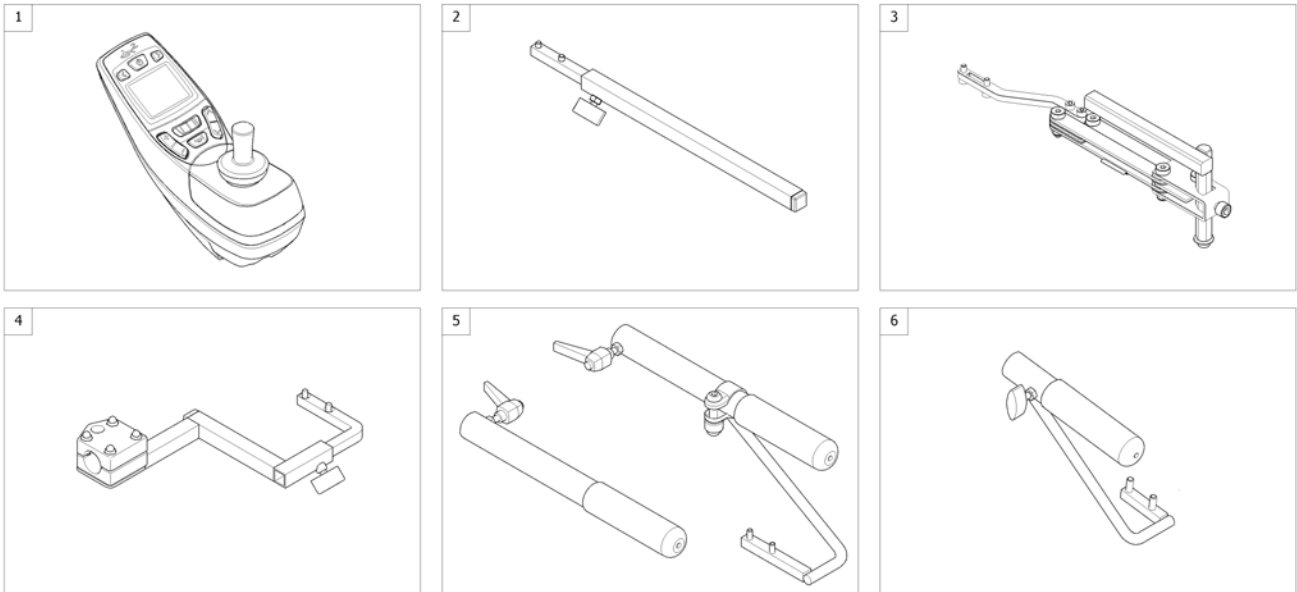
Pos.	Part number	Description	Valid from → until	Qty
1	SP1536180	Support for Remote Bracket, height adjustable & swing away		1
2	SP1496249	Remote bracket, height adjustable & swing away, LH		1
3	SP1496248	Remote bracket, height adjustable & swing away, RH		1

Remote Bracket Attendant short for Firm Seat

1559858.iso



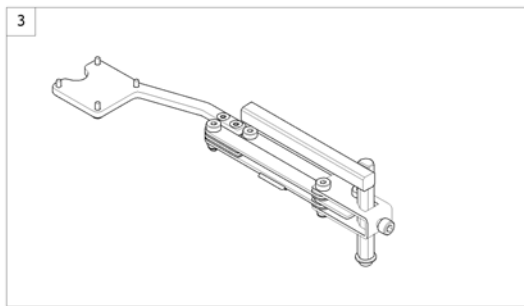
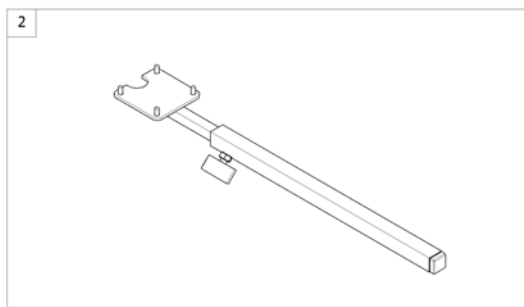
Pos.	Part number	Description	Valid from → until	Qty
1	SP1541705	Remote Bracket Attendant LH short		1
2	SP1541706	Remote Bracket Attendant RH short		1
3	1435421	Handle plastic black Ø22 "Invacare"		1
4	L10024	Wing knobs M6x16		1



Pos.	Part number	Description	Valid from → until	Qty
1	SP1523444	Remote REM550 <i>[1617/1618]</i>		1
2	-	Remote Bracket Standard <i>[1617+1207/1208]</i>		1
3	-	Remote Bracket Swing away & height adjust. <i>[1617+1707/1708]</i>		1
4	-	Remote Bracket Attendant for Standard-/Flex2-/Max-Seat <i>[1618+1207/1208]</i>		1
5	-	Remote Bracket Attendant long for Firm Seat <i>[1618+1207/1208]</i>		1
6	-	Remote Bracket Attendant short for Firm Seat <i>[1618+1207/1208]</i>		1

Remote REM 34 with Brackets

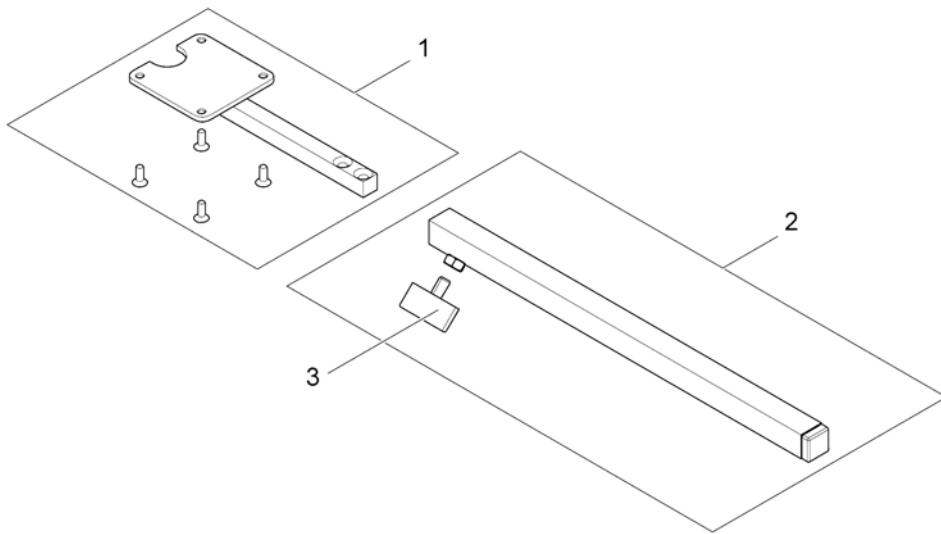
1560846 iso



Pos.	Part number	Description	Valid from → until	Qty
1	SP1440677	Remote REM 34 <i>[1611]</i>		1
2	-	Remote Bracket Standard <i>[1611+1207/1208]</i>		1
3	-	Remote Bracket Swing away & height adjust. <i>[1611+1707/1708]</i>		1

Remote Bracket Standard

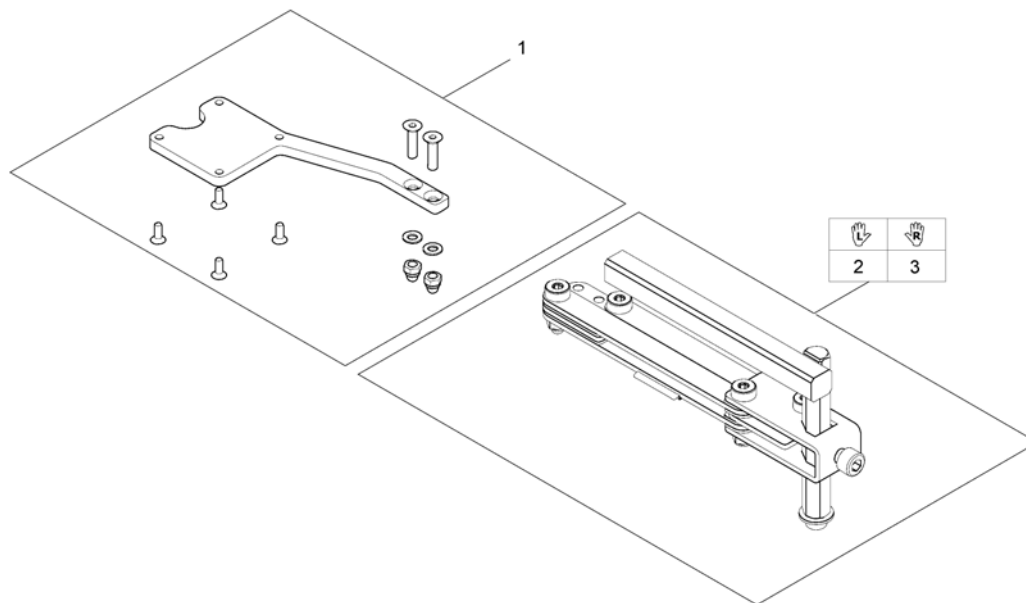
1560844.iso



Pos.	Part number	Description	Valid from → until	Qty
1	SP1434921	Remote Support Standard		1
2	SPS183040	Remote Bracket, Standard		1
3	L31001	Wing ScREW M6X10		1

Remote Bracket Swing away & height adjust.

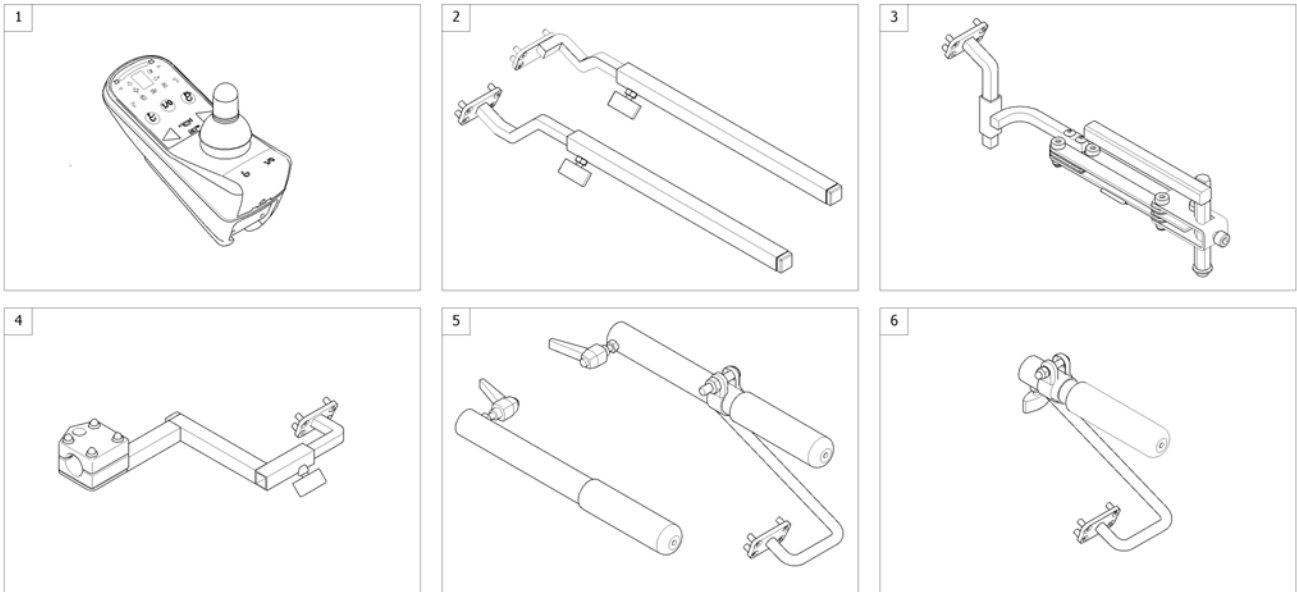
1560845.iso



Pos.	Part number	Description	Valid from → until	Qty
1	SP1527125	Remote Support for Bracket height adjustable and swing away		1
2	SP1496249	Remote bracket, height adjustable & swing away, LH		1
3	SP1496248	Remote bracket, height adjustable & swing away, RH		1

Remote G 90 A with Brackets

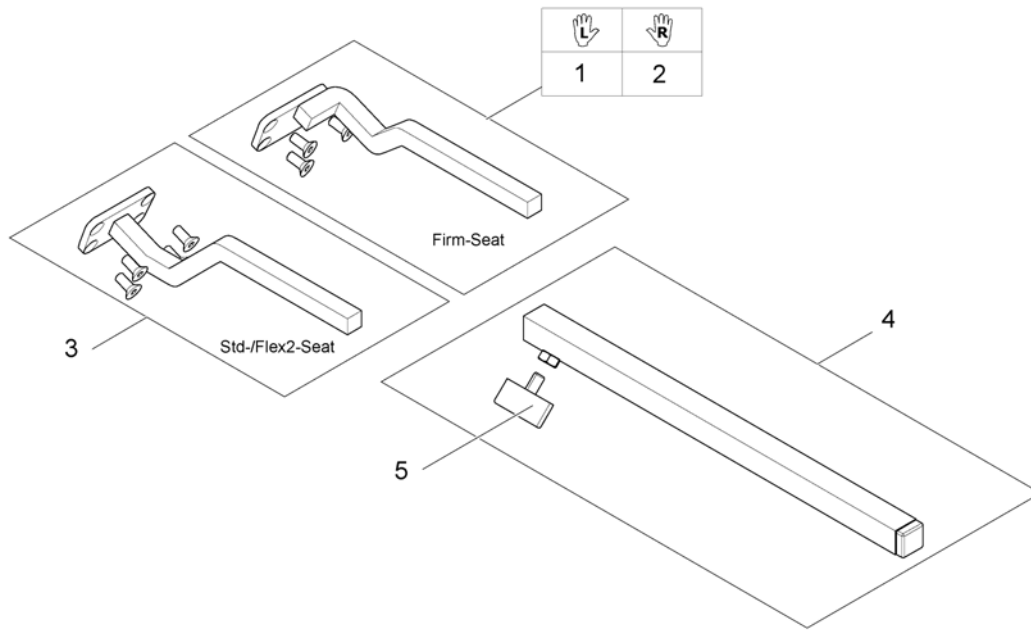
1560841.90



Pos.	Part number	Description	Valid from → until	Qty
1	SP1504720	Remote G90A [1614/1616]		1
2	-	Remote Bracket Standard [1614+1207/1208]		1
3	-	Remote Bracket Swing away & height adjust. [1614+1707/1708]		1
4	-	Remote Bracket Attendant for Standard-/Flex2-/Max-Seat [1616+1207/1208]		1
5	-	Remote Bracket Attendant long for Firm Seat [1616+1207/1208]		1
6	-	Remote Bracket Attendant short for Firm Seat [1616+1207/1208]		1

Remote Bracket Standard

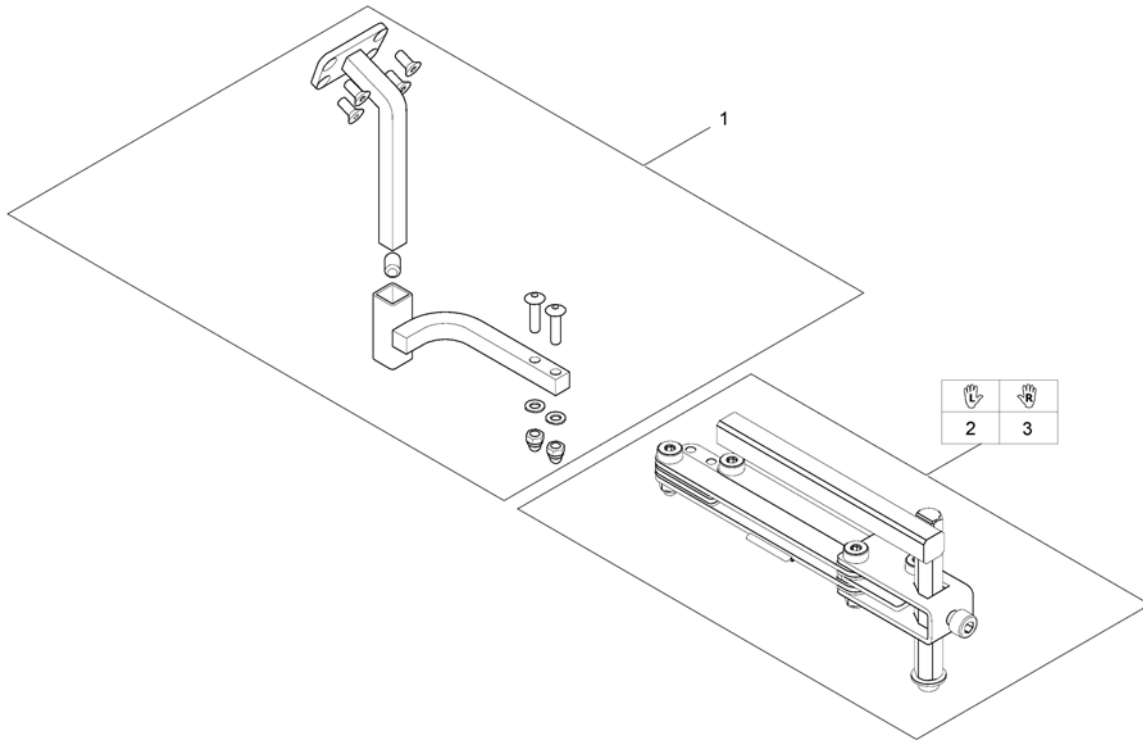
1560842.iso



Pos.	Part number	Description	Valid from → until	Qty
1	SP1518450	Remote Support Standard LH		1
2	SP1518449	Remote Support Standard RH		1
3	SP1504822	Remote Support Standard		1
4	SPS183040	Remote Bracket, Standard		1
5	L31001	Wing ScREW M6X10		1

Remote Bracket Swing away & height adjust.

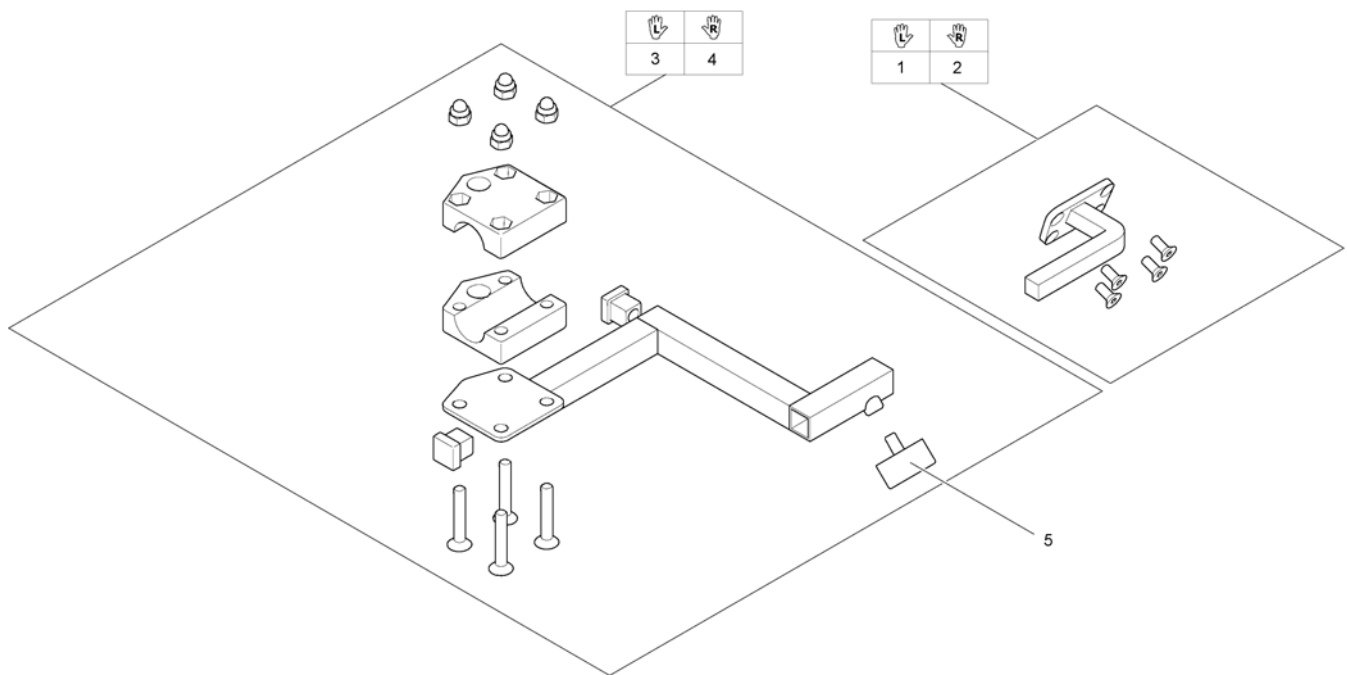
1560310.iso



Pos.	Part number	Description	Valid from → until	Qty
1	SP1517352	Remote Support for Bracket height adjustable and swing away		1
2	SP1496249	Remote bracket, height adjustable & swing away, LH		1
3	SP1496248	Remote bracket, height adjustable & swing away, RH		1

Remote Bracket Attendant for Standard-/Flex2-/Max-Seat

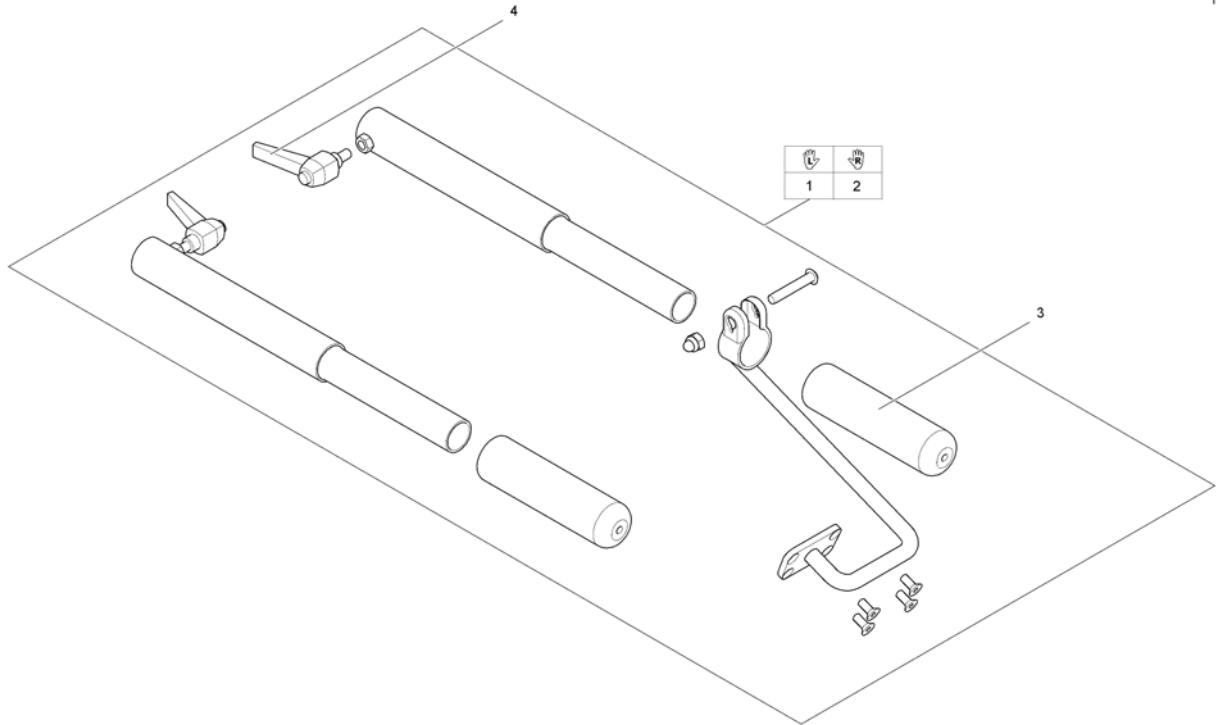
1560853.iso



Pos.	Part number	Description	Valid from → until	Qty
1	SP1509435	Remote Support attendant control G90A, LH		1
2	SP1509439	Remote Support attendant control G90A, RH		1
3	SP1422937	Bracket for attendant control LH		1
4	SP1422936	Bracket for attendant control RH		1
5	L31001	Wing ScREW M6X10		1

Remote Bracket Attendant long for Firm Seat

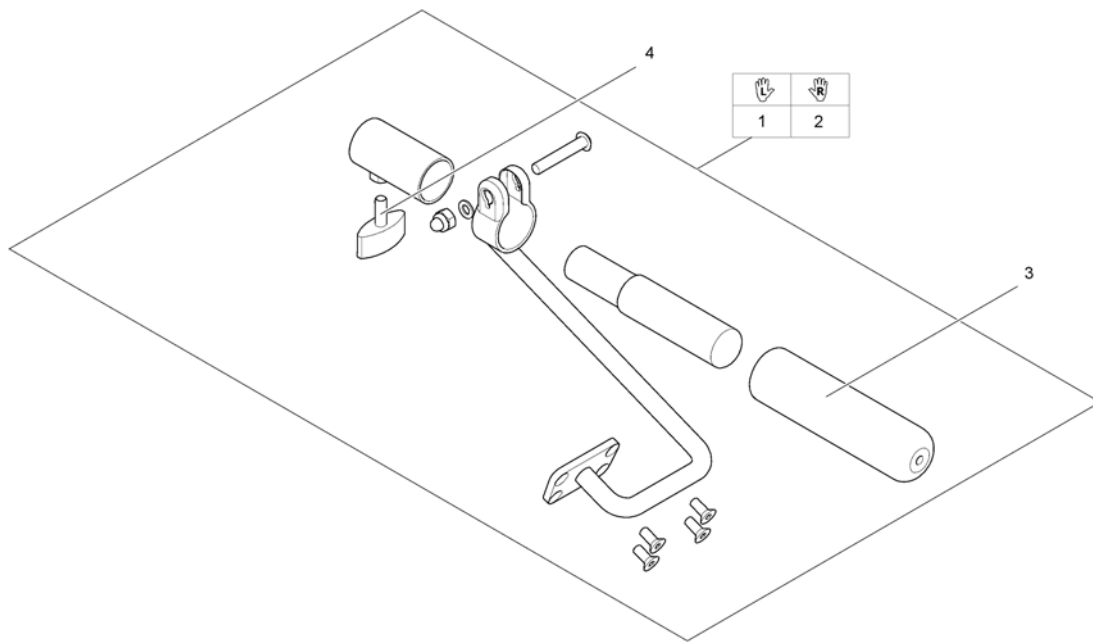
1560312.iso



Pos.	Part number	Description	Valid from → until	Qty
1	SP1509702	Holder Attendant Control G90A LH		1
2	SP1509696	Holder Attendant Control G90A RH		1
3	1435421	Handle plastic black Ø22 "Invacare"		1
4	L32902	LEVER M6 X 10; BLACK		1

Remote Bracket Attendant short for Firm Seat

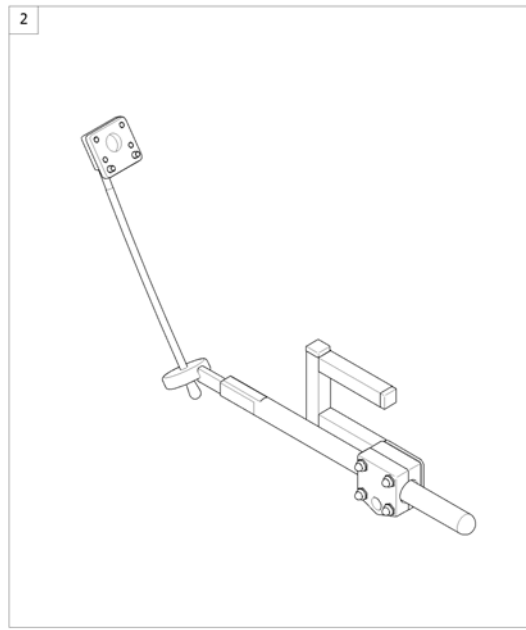
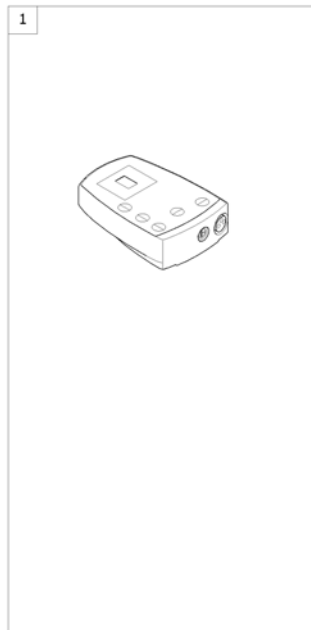
1560317.iso



Pos.	Part number	Description	Valid from → until	Qty
1	SP1541699	Holder Attendant Control LH short		1
2	SP1541570	Holder Attendant Control RH short		1
3	1435421	Handle plastic black Ø22 "Invacare"		1
4	L10024	Wing knobs M6x16		1

Remote G91S with Brackets

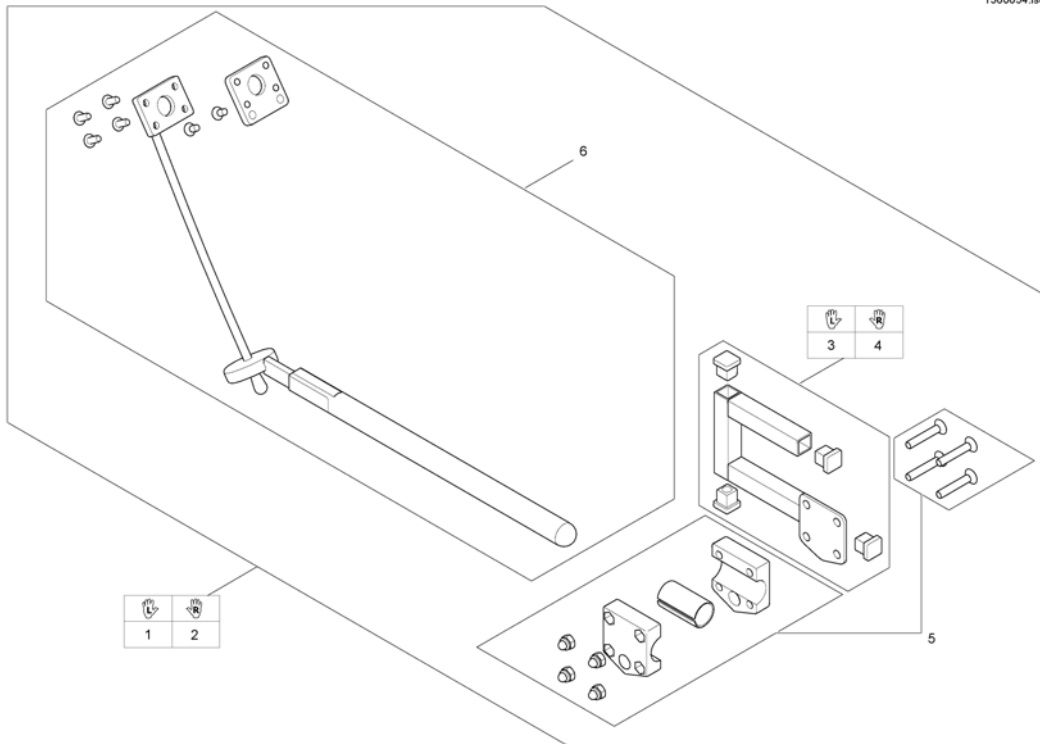
1560850 iso



Pos.	Part number	Description	Valid from → until	Qty
1	SP1505187	Remote Control G91S <i>[1615]</i>		1
2	-	Remote Bracket Standard <i>[1615+1207/1208]</i>		1

Remote Bracket Standard

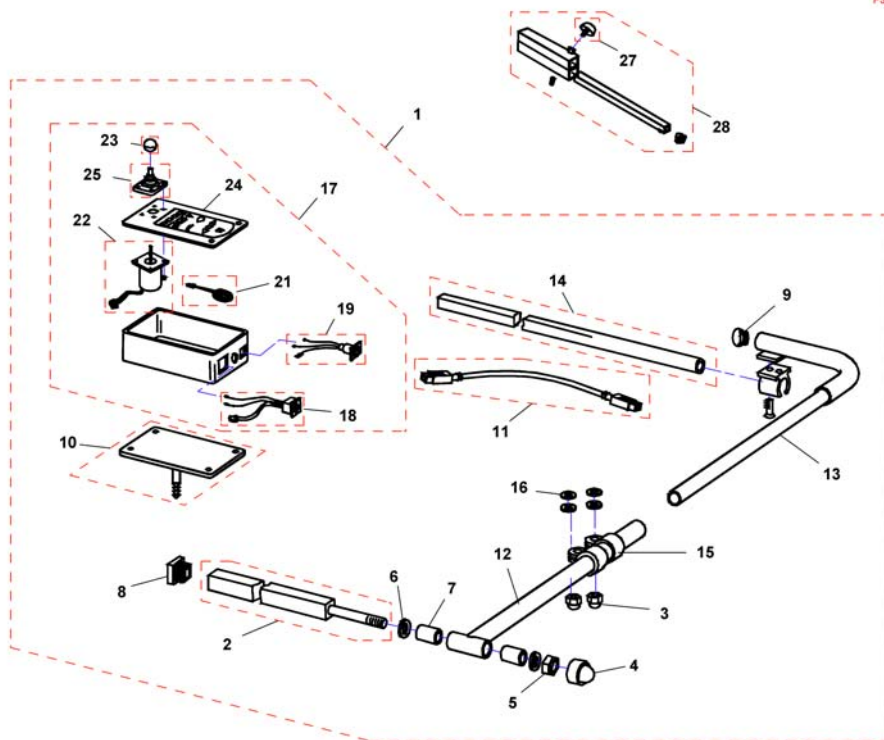
1560654.iso



Pos.	Part number	Description	Valid from → until	Qty
1	SP1509718	Remote Bracket G91/G91S LH, cpl		1
2	SP1509690	Remote Bracket G91/G91S RH, cpl.		1
3	SP1509716	Adapter G91 LH		1
4	SP1509711	Adapter G91 RH		1
5	SP1527503	Gripper clamp cpl.		1
6	SP1527504	Swan neck remote bracket with adapter plate		1

Centre control ACS REM41

F383057.dwg

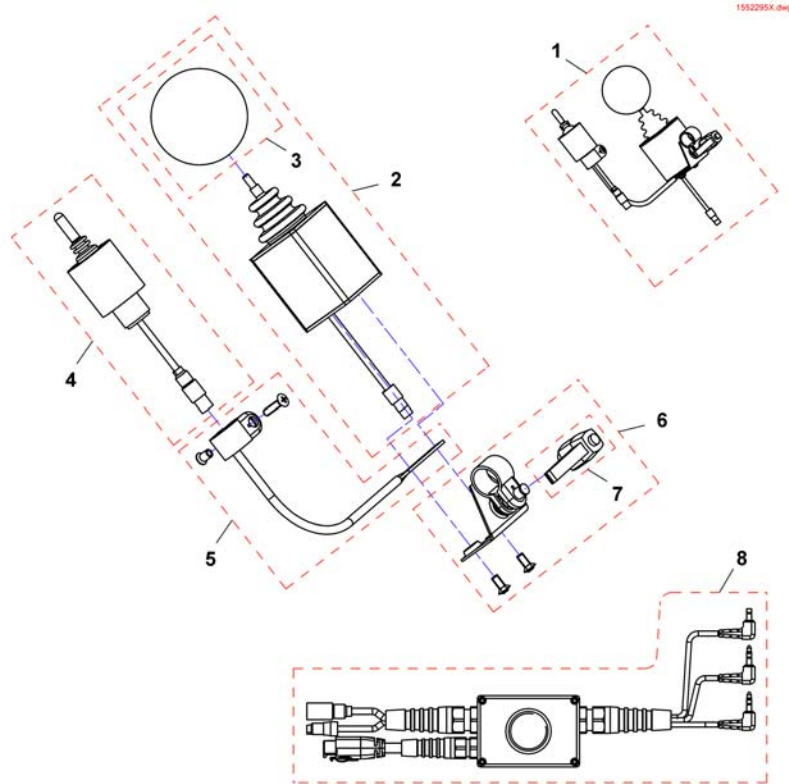


Pos.	Part number	Description	Valid from → until	Qty
-	Q99081	User Manual Table- & Middle Control REM41-S German		1
1	SP1530588	CENTRAL STEERING CPL.; SWING-AWAY RH, REM41-D		1
1	SP1530589	CENTRAL STEERING CPL.; SWING-AWAY LH, REM41-D		1
2	Z177024.00	SUPPORT TUBE; CHROME PLATED		1
3	F60208	Cap nut DIN1587-M08 zc		1
4	L01037	Sks Nut Cap M12		1
5	F20106	Hexagon nut DIN985-M12 zc		1
6	G00104	Washer DIN125-Ø13 zc		1
7	Z17032A	Bush Rd. 19 X 3.5 X 25		1
8	L01055	Plug 15x15mm		1
9	L01008	Tube End Plug SI 22		1
10	Z183216.P40	SUPPORT BRACKET; RAL 9005 BLACK		1
11	1559862	Bus cable ACS, 1700mm		1
12	Z183089.00	SWING ARM; CHROME PLATED		1
13	Z183086.00	SUPPORT ARM RH; CHROME PLATED		1
13	Z183092.00	SUPPORT ARM LH; CHROME PLATED		1
14	H281005A.00	MIRROR SUPPORT RAIL; CHROME PLATED		1
15	5006720	Klemmschelle F. Dm 22 mm		1
16	G00106	Washer DIN125-A-Ø8,4 zc		1
17	SP1527930	DX ACS Tray Remote DX-REM41		1
18	P41108	ACS-BUS CABLE SOCKET		1
19	P41106	CHARGER SOCKET		1
21	P30493	HORN		1
22	GSM55120	ACS-remote WITH 180MM CABLE		1
23	L36999	KNOB FOR remote 32 MM, HOLE 5.8 MM		1
24	-	No longer available.		0
25	Z183001A	Rubber gaiter for ACS remote		1
26	Z183289	CENTRAL STEERING SUPPORT TUBE CPL.		1
27	L31001	Wing ScREW M6X10		1
28	Z183289	CENTRAL STEERING SUPPORT TUBE CPL.		1

Remote Small Chin Control with Brackets

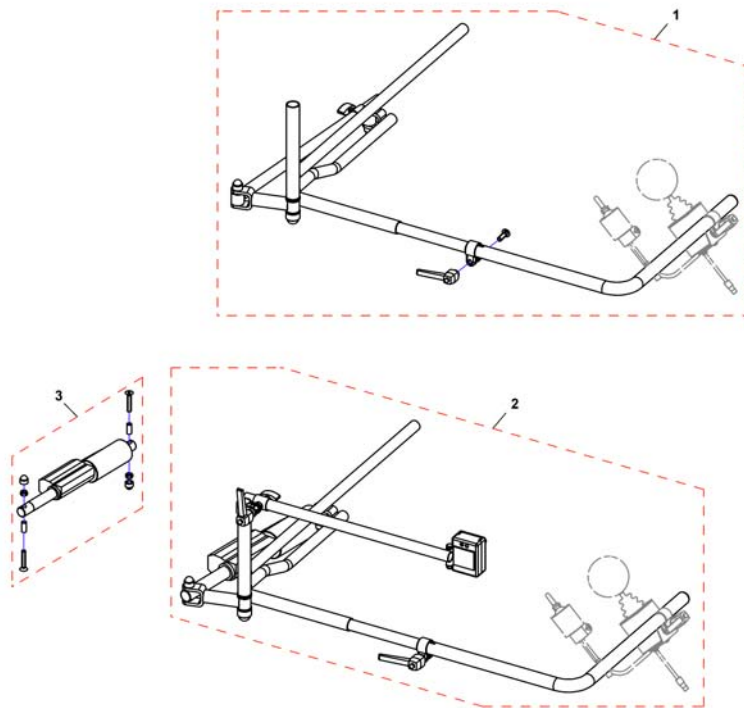
Pos.	Part number	Description	Valid from → until	Qty
-		Small Chincontrol		1
-		Framework for chincontrol		1

Small Chincontrol



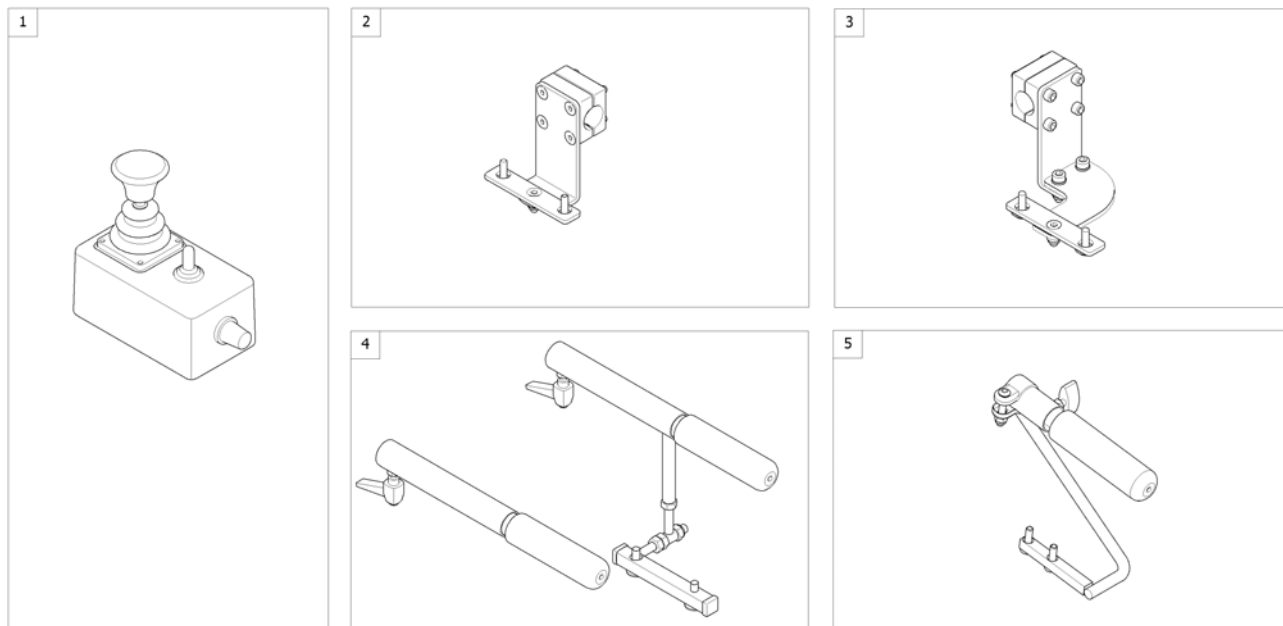
Pos.	Part number	Description	Valid from → until	Qty
1	1448705	Chin control REM24, cpl.		1
1	1421770	Chin control G80/G90, cpl.		1
1	SP1544255	Chin control G91, cpl.		1
2	Z183282	Joystick, kmpl.		1
3	Z183265	Foam control knob cpl.		1
4	1442943	Switchjoystick REM24, kmpl.		1
4	Z183283	Switchjoystick G80/G90, cpl.		1
4	SP1544250	Switchjoystick G91, kmpl.		1
5	SP1552294	Switchjoystick bracket		1
6	SP1552295	Joystick clamp		1
7	L32901	Clampinglever		1
8	SP1442944	Harness REM24		1
8	Z183275	Harness G80/G90		1
8	SP1541715	Harness G91		1

Framework for chincontrol



Pos.	Part number	Description	Valid from → until	Qty
-	Z167994	CHIN CONTROL SUPPORT . CPL. <i>Not shown / Nicht abgebildet / Non illustré</i>		1
1	SP1422943	Framework for chin control, manual, horizontal swing away, LH, cpl.		1
1	SP1422942	Framework for chin control, manual, horizontal swing away, RH, cpl.		1
2	SP1422945	Framework for chincontrol, powered, horizontal swing away, LH, cpl. <i>incl. Actuator</i>		1
2	SP1422944	Framework for chin control, powered, horizontal swing away, RH, cpl. <i>incl. Actuator</i>		1
-	SP1552335	Hardware, chin control, powered, horizontal swing away, LH <i>Not shown / Nicht abgebildet / Non illustré</i>		1
-	SP1552336	Hardware, chin control, powered, horizontal swing away, RH <i>Not shown / Nicht abgebildet / Non illustré</i>		1
-	SP1422946	Framework for chincontrol, powered, vertikal swing away <i>Not shown / Nicht abgebildet / Non illustré</i>		1
3	SP1552337	Actuator for horizontal swing away chin control, cpl.		1
3	SP1552418	Gestell für Kinnbedienung, elektrisch, vertikal abschwenkbar <i>Not shown / Nicht abgebildet / Non illustré</i>		1

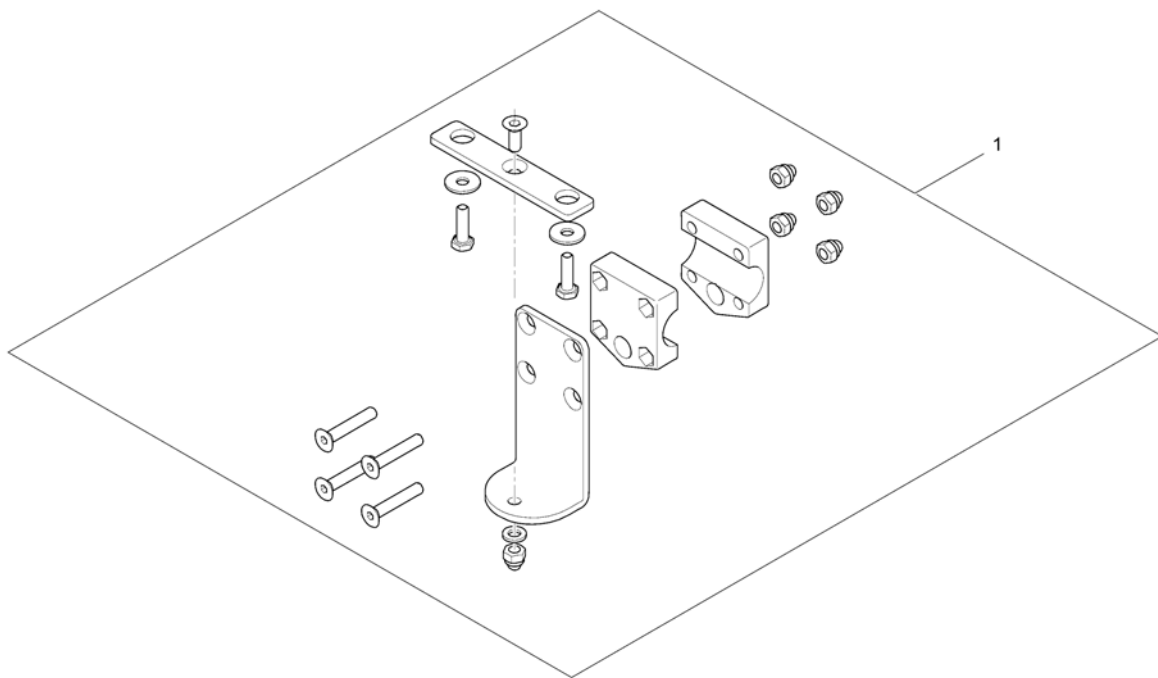
1560852.iss



Pos.	Part number	Description	Valid from → until	Qty
1	6001425	ACS dual control [1291/1292]		1
2	-	Remote Bracket Dual Control for Standard-/Flex2-/Max-Seat		1
3	-	Remote Bracket Dual Control for Modulite Seat		1
4	-	Remote Bracket Dual Control long for Firm-Seat		1
5	-	Remote Bracket Attendant short for Firm Seat		1

Remote Bracket Dual Control for Standard-/Flex2-/Max-Seat

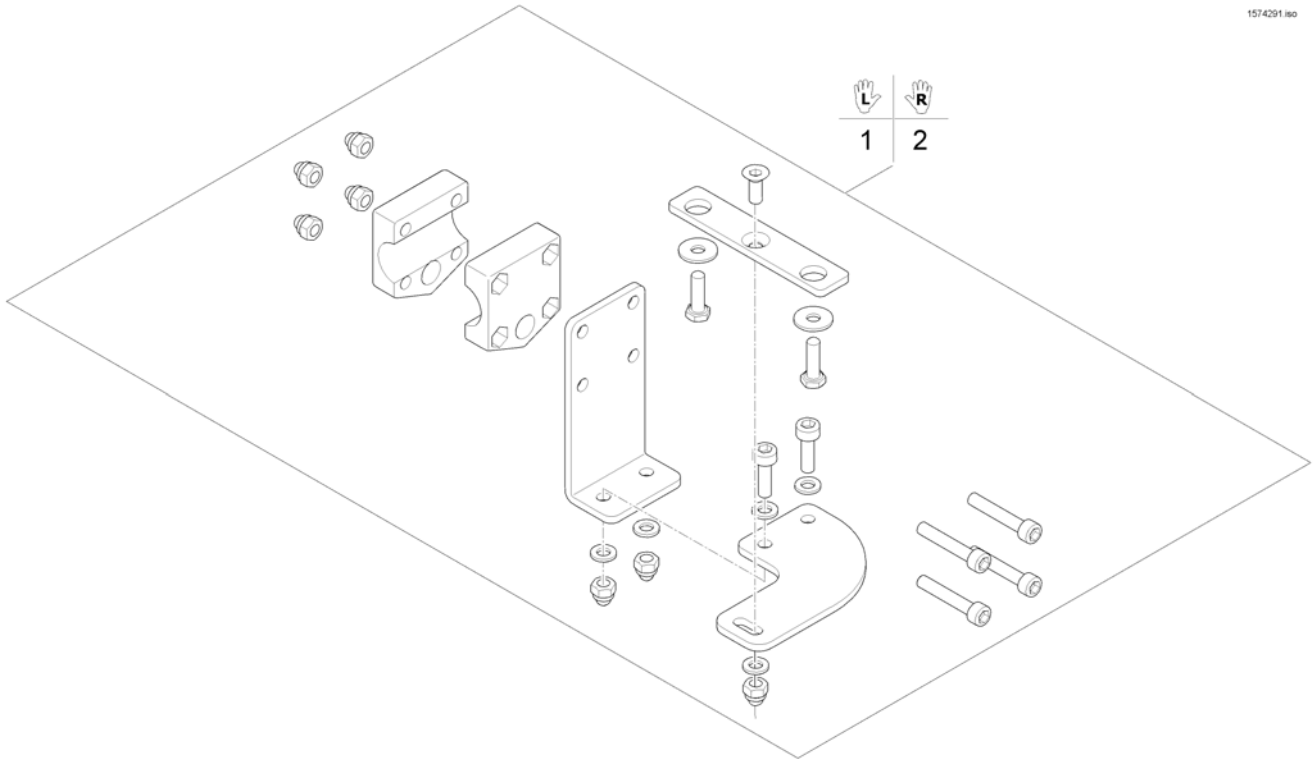
1560885.iso



Pos.	Part number	Description	Valid from → until	Qty
1	SP1422818	Remote Bracket Dual Control		1

Remote Bracket Dual Control for Modulite Seat

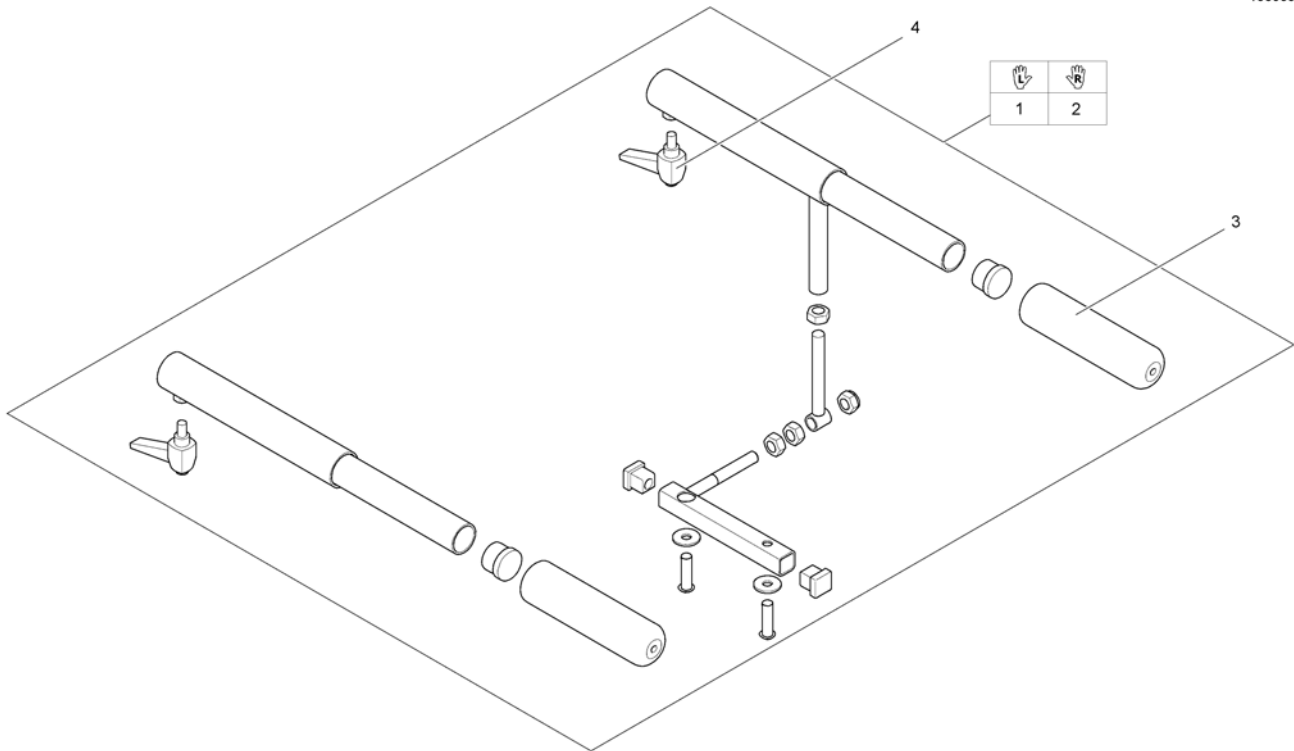
1574291 iso



Pos.	Part number	Description	Valid from → until	Qty
1	SP1571799	Remote Bracket Dual Control LH		1
2	SP1571800	Remote Bracket Dual Control RH		1

Remote Bracket Dual Control long for Firm-Seat

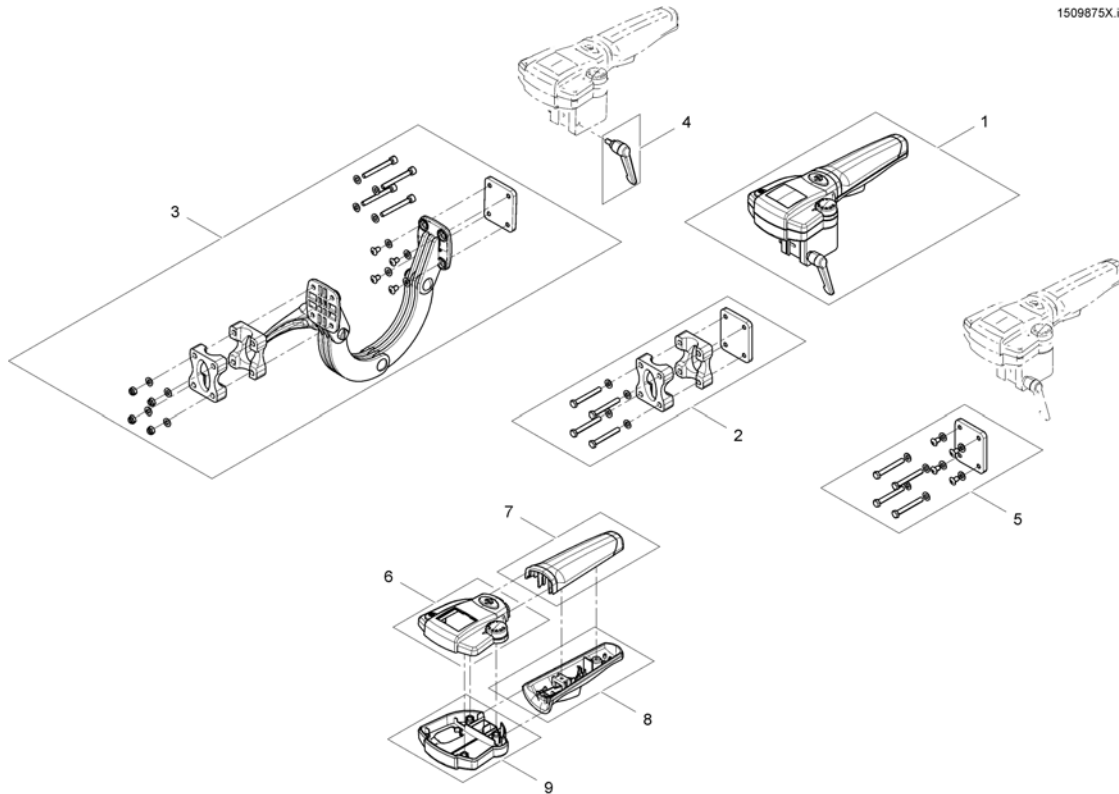
1560884.iso



Pos.	Part number	Description	Valid from → until	Qty
1	SP1511703	Assembly Kit Dual Control, ACS & Shark, LH (Firm-Seat)		1
2	SP1511704	Assembly Kit Dual Control, ACS & Shark, RH (Firm-Seat)		1
3	1435421	Handle plastic black Ø22 "Invacare"		1
4	SPL32903	LOCKING SCREW M6X2 (X2)		1

Remote IDC Dual Control with Brackets

1509875X.iso



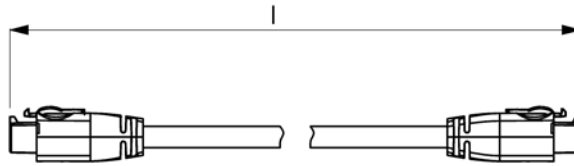
Pos.	Part number	Description	Valid from → until	Qty
1	SP1509875	Intuitiv Dual Control <i>For chairs build before 01/02/10 please also order SP1537148</i>		1
2	SP1522310	Fixed bracket		1
3	SP1521488	Adjustable bracket		1
4	SP1510135	Clamp lever M5x10		1
5	SP1537148	Supportplate IDC for chairs before 01.02.10		1
6	SP1579573	Upper Housing		1
7	SP1511060	Handhold upper part		1
8	SP1511099	Handhold lower part		1
9	SP1510470	Housing lower part		1

ACS Cables & Accessories

Pos.	Part number	Description	Valid from → until	Qty
-		Bus-Cables ACS		1
-		T-Adapter ACS 2		1
-		T-Adapter - Modulite Seat		1
-		Slow-Stop-Sensor & Holder		1
-		Programming Kits		1
-		Magnetkey for Remotes		1

Bus-Cables ACS

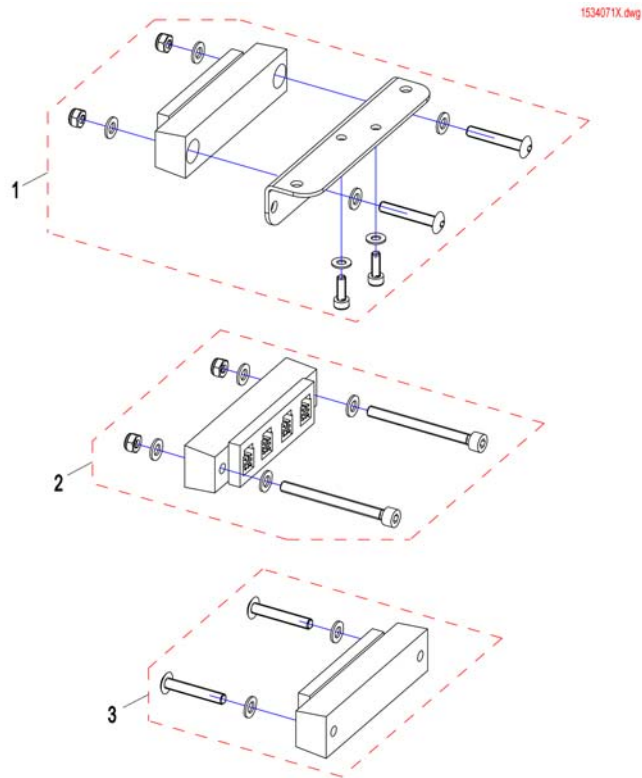
ACSBUSKABEL.iso



Position	length l [mm]
1	300
2	500
3	700
4	1100
5	1700
6	2000
7	2500
8	2700
9	1060

Pos.	Part number	Description	Valid from → until	Qty
1	GSM63003	Bus cable ACS, 300mm		1
2	SPGSM63005	Bus cable ACS, 500mm <i>Replace GSM63004</i>		1
3	GSM63007	Bus cable ACS 700mm		1
4	GSM63011	Bus cable ACS, 1100mm		1
5	1559862	Bus cable ACS, 1700mm <i>Replace GSM63016</i>		1
6	GSM63020	Bus cable ACS, 2000mm <i>Replace 1419386</i>		1
7	1440424	Bus cable ACS, 2500mm		1
8	SP1559873	Bus cable ACS, 2700mm <i>Replace GSM63026</i>		1
9	SP1550402	Extension cable ACS, 1060mm		1

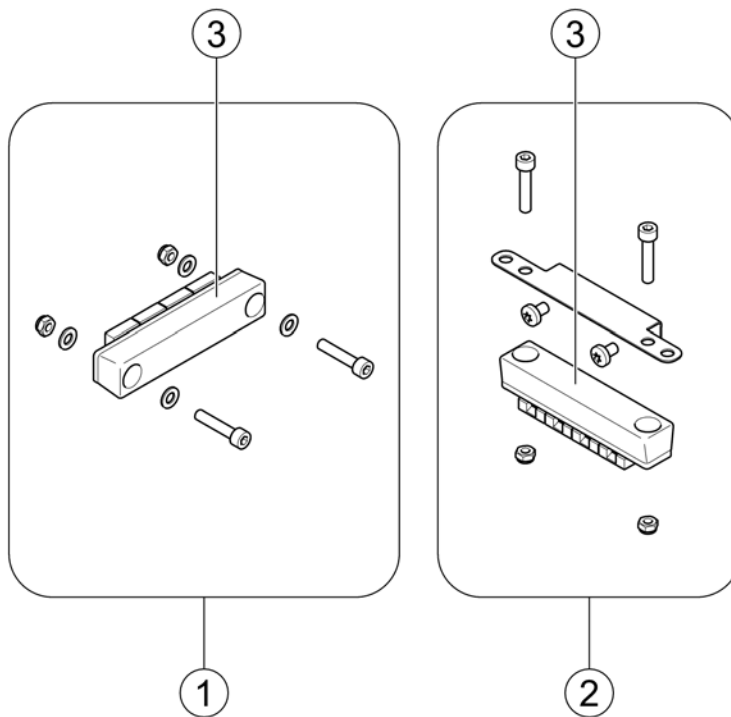
T-Adapter ACS 2



Pos.	Part number	Description	Valid from → until	Qty
1	SP1536863	T-Adapter ACS 2 for Flex2 with lifter		1
2	SP1534948	T-Adapter ACS 2 for Firmseat with / without lifter and Flex2 without lifter		1
3	SP1534072	T-Adapter ACS 2 for Standardseat with / without lifter		1

T-Adapter - Modulite Seat

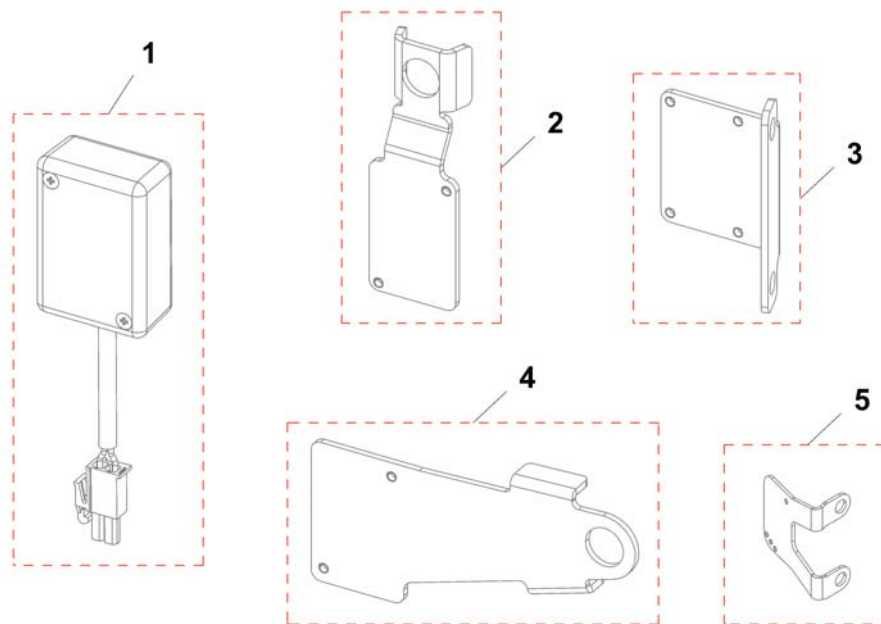
1583360 iso



Pos.	Part number	Description	Valid from → until	Qty
1	SP1571826	T-Adapter - Modulite Seat		1
2	SP1569958	T-Adapter - Modulite Seat with MBL-Modul		1
3	P10072	ACS-Bus T-Adapter (Splitter)		1

Slow-Stop-Sensor & Holder

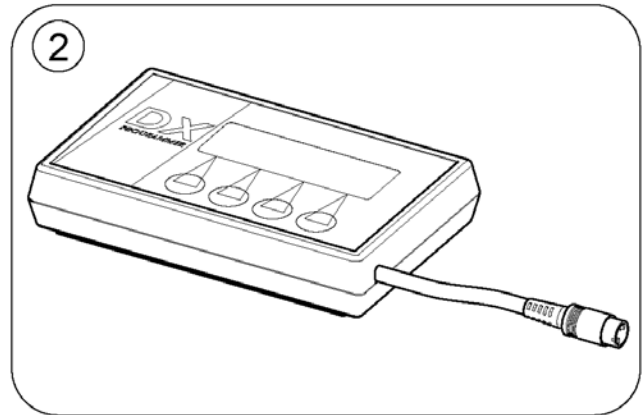
1533662X.dwg



Pos.	Part number	Description	Valid from → until	Qty
1	SP1533662	Slow-stop-sensor, ACS2, cpl.		1
1	SP1572175	Slow-stop-sensor, ACS2, Modulite, cpl.		1
1	SP1537477	Slow-stop-sensor, R-Net, cpl.		1
1	SP1571202	Slow-stop-sensor, R-Net, Modulite, cpl.		1
2	SP1533665	Holder slow-stop-sensor Standardseat		1
3	SP1533661	Holder slow-stop-sensor Firm-seat		1
4	SP1534049	Holder slow-stop-sensor Flex2		1
5	SP1563880	Holder slow-stop-sensor Modulite		1

Programming Kits

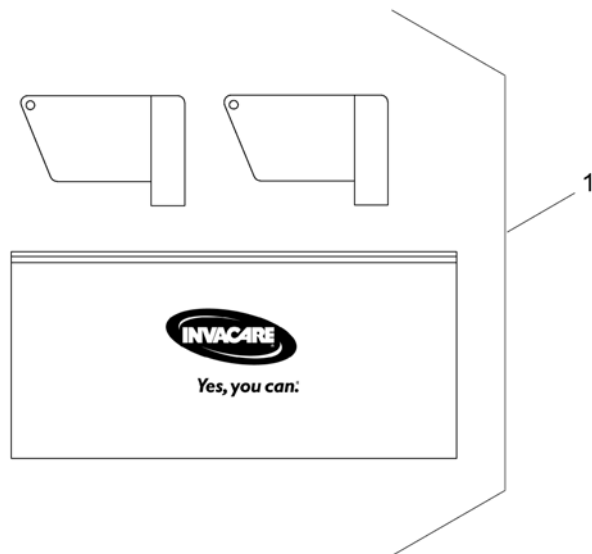
1584805 iso



Pos.	Part number	Description	Valid from → until	Qty
1	1449280	USW wizard dongle kit, EDL-USW, cpl.		1
2	6001450	Hand Programmer, Instrucions In French, German, Spanish		1
	SP1441551	Programming Adapter Shark DK-ADAPT (necessary to program Shark)		1

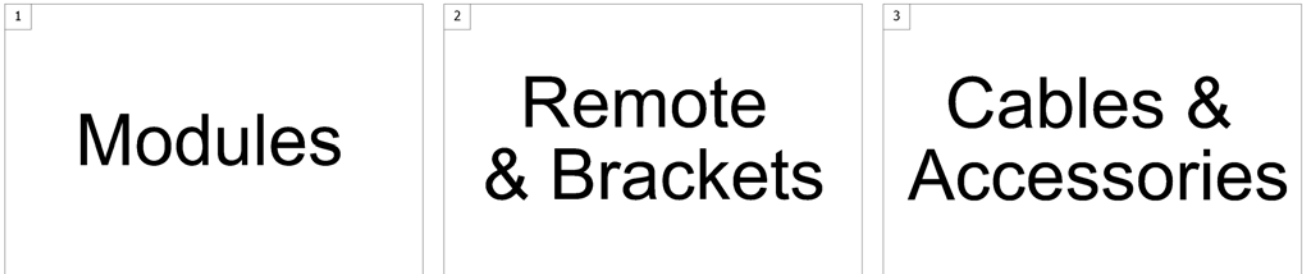
Magnetkey for Remotes

1564186.iso



Pos.	Part number	Description	Valid from → until	Qty
1	SP1419695	Magnet key with bag		1

1500784.indd



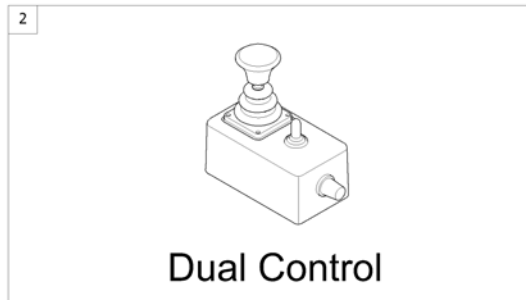
Pos.	Part number	Description	Valid from → until	Qty
1	-	Shark Electronic Modules		1
2	-	Shark Remote & Brackets		1
3	-	Shark Cables & Accessories		1

Shark Electronic Modules

Pos.	Part number	Description	Valid from → until	Qty
-		Powermodules		1
-		Lightboard		1
-		Lightboardholder Shark/ACS2		1

Shark Remote & Brackets

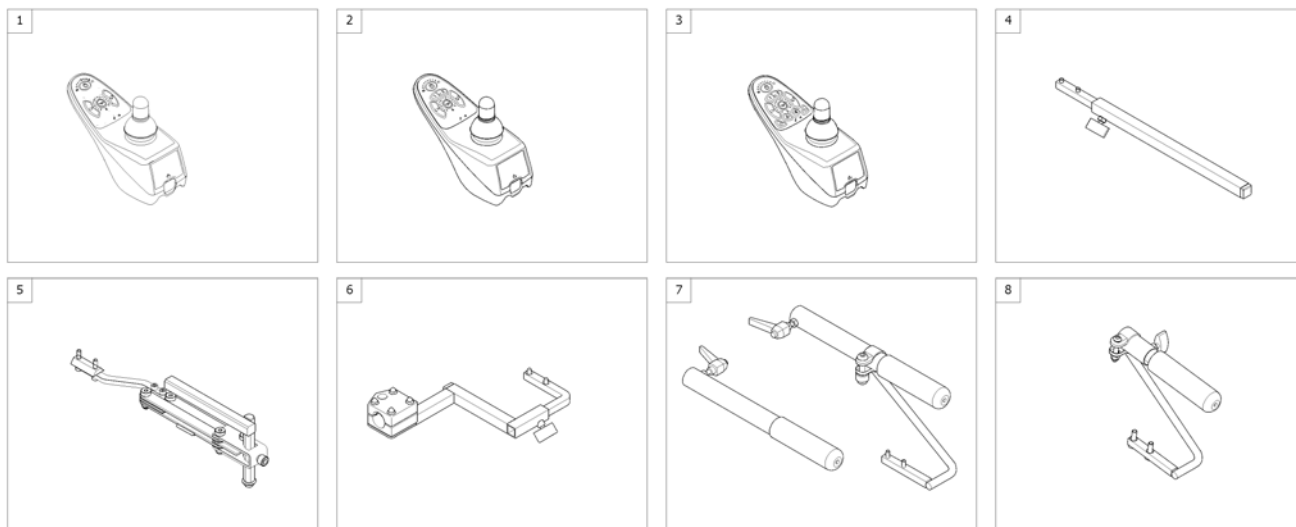
1560025 iso



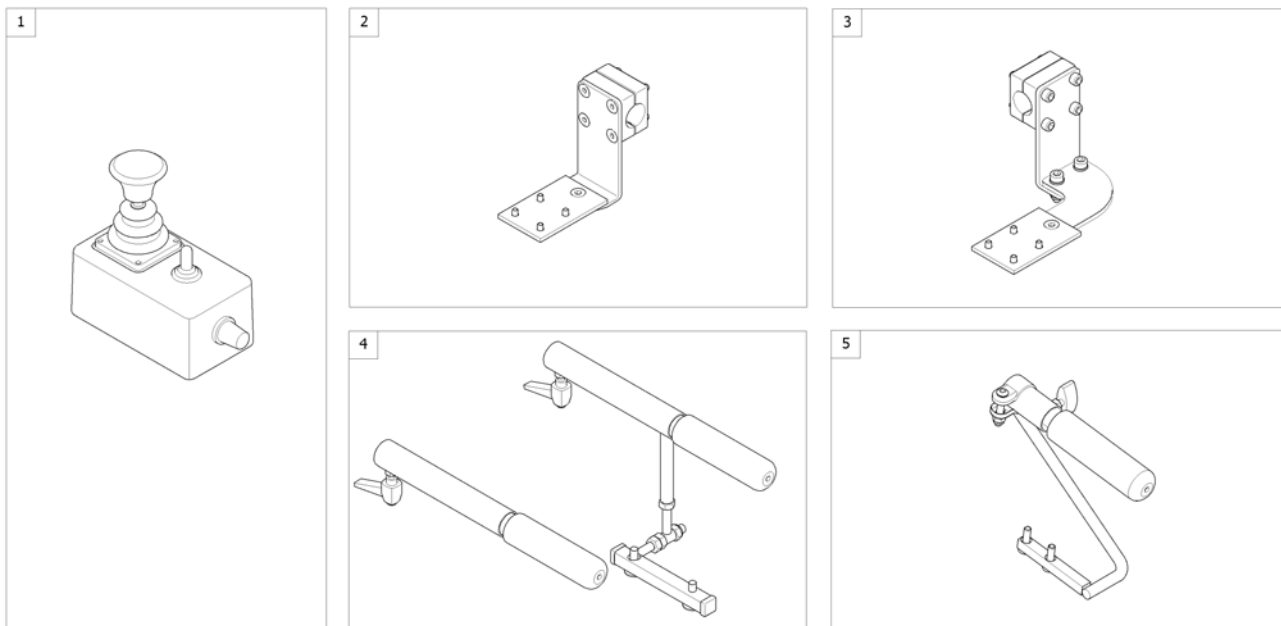
Pos.	Part number	Description	Valid from → until	Qty
1	-	Remote Shark with Brackets <i>[1801/1802]</i>		1
2	-	Remote Dual Control with Brackets <i>[1891/1892]</i>		1

Remote Shark with Brackets

150321-00



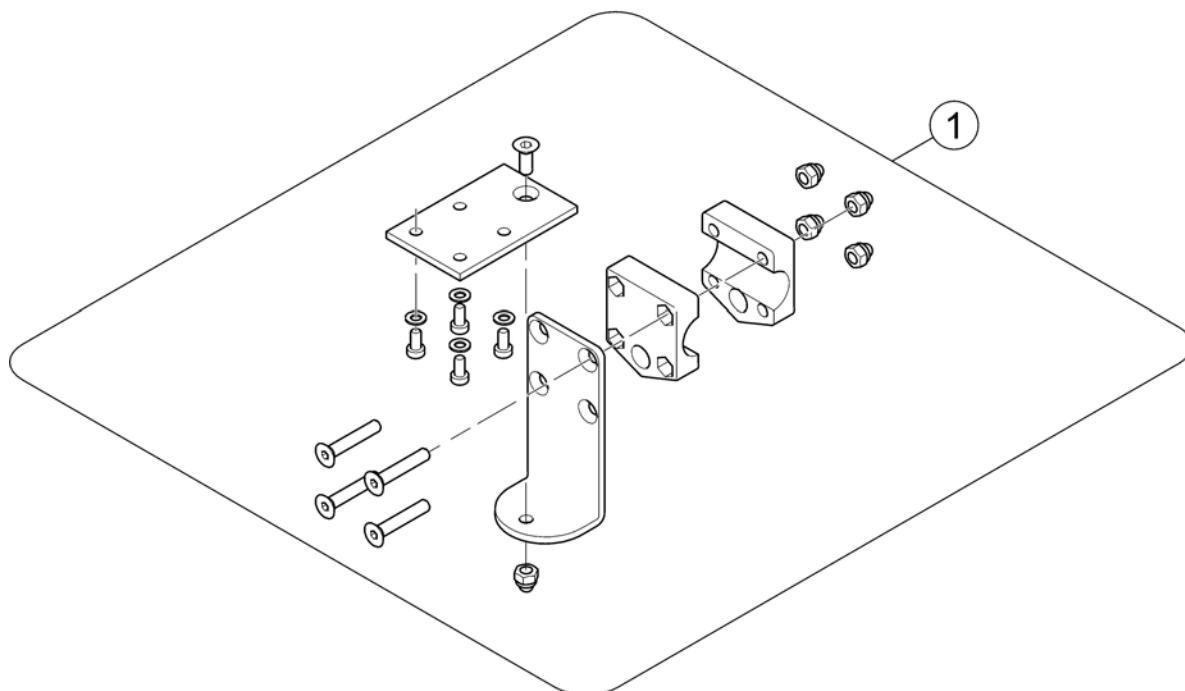
Pos.	Part number	Description	Valid from → until	Qty
1	1492567	Remote DK-REM D01, Shark2 (Drive only) [1801/1802]		1
2	1449177	Remote DK-REM D11, Shark2 (Drive & Adjustment) [1801/1802]		1
3	1484904	Remote DK-REM D21, Shark2 (Drive, Adjustment, Light) [1801/1802]		1
4	-	Remote Bracket Standard [1801+1207/1208]		1
5	-	Remote Bracket Swing away & height adjust. [1801+1707/1708]		1
6	-	Remote Bracket Attendant for Standard-/Flex2-/Max-Seat [1802+1207/1208]		1
7	-	Remote Bracket Attendant long for Firm Seat [1802+1207/1208]		1
8	-	Remote Bracket Attendant short for Firm Seat [1802+1207/1208]		1



Pos.	Part number	Description	Valid from → until	Qty
1	1444717	Shark Dual Control, switchable <i>[1891/1892]</i>		1
2	-	Remote Bracket Dual Control for Standard-/Flex2-/Max-Seat		1
3	-	Remote Bracket Dual Control for Modulite Seat		1
4	-	Remote Bracket Dual Control long for Firm-Seat		1
5	-	Remote Bracket Attendant short for Firm Seat		1

Remote Bracket Dual Control for Standard-/Flex2-/Max-Seat

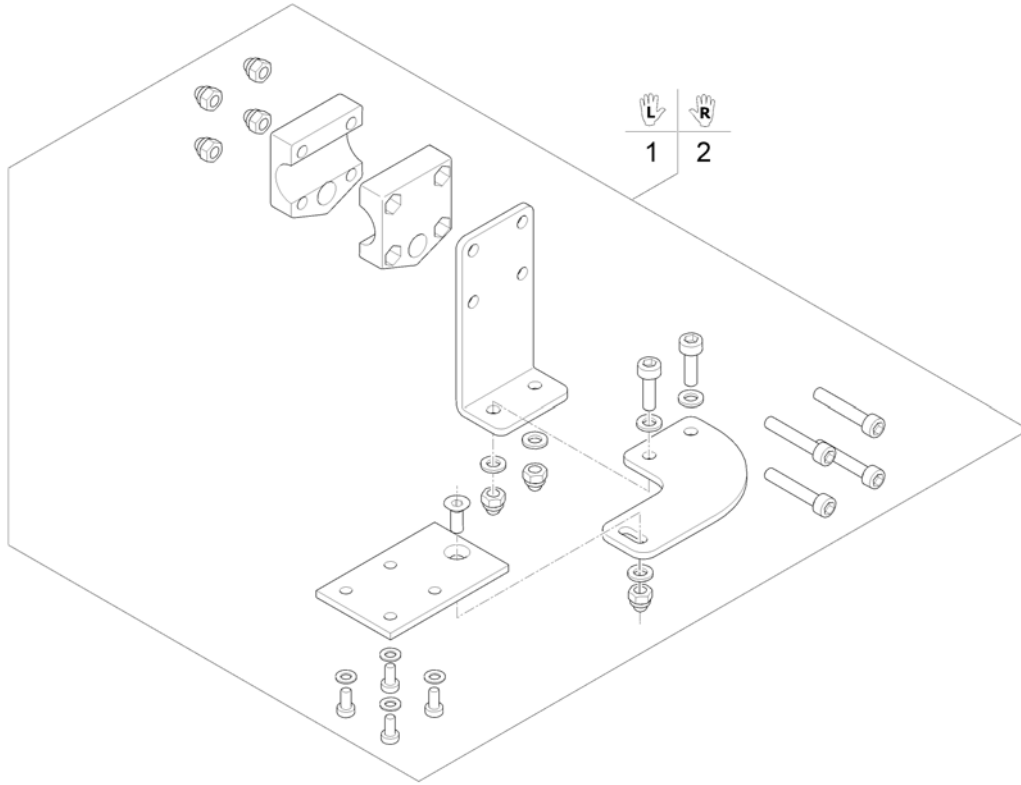
1560883.iso



Pos.	Part number	Description	Valid from → until	Qty
1	1450307	Remote Bracket Attendent Control Shark		1

Remote Bracket Dual Control for Modulite Seat

1574296 iso



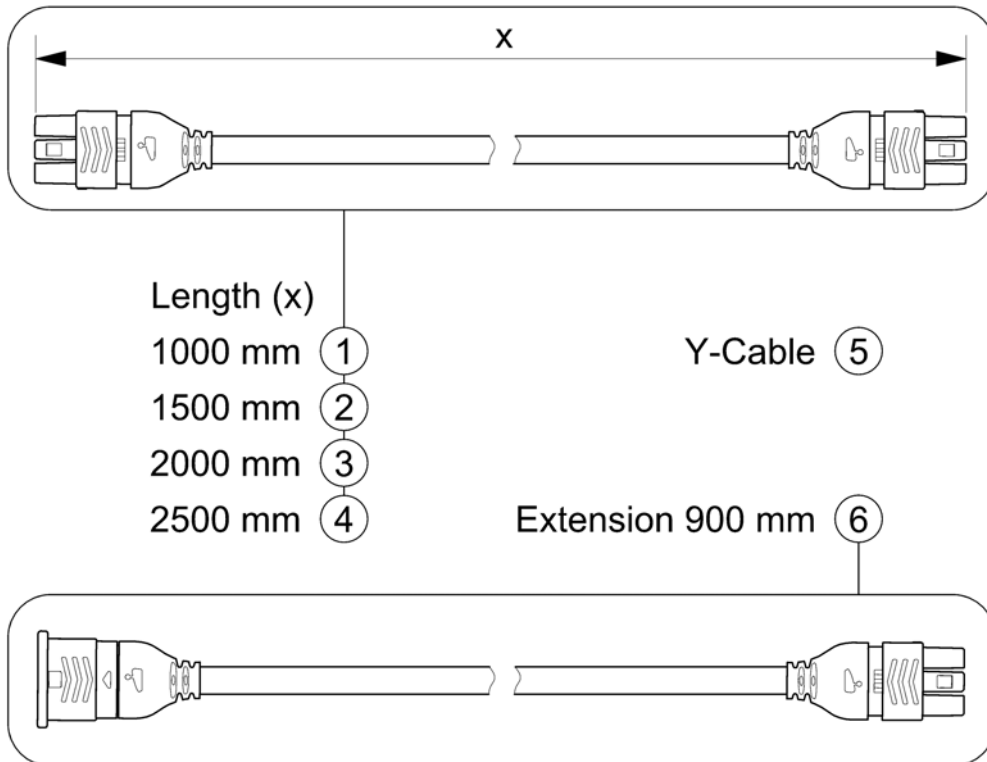
Pos.	Part number	Description	Valid from → until	Qty
1	SP1571824	Remote Bracket Dual Control LH		1
2	SP1571825	Remote Bracket Dual Control LH		1

Shark Cables & Accessories

Pos.	Part number	Description	Valid from → until	Qty
-		Bus-Cables Shark		0
-		Cables Shark		0
-		Programming Kits		0

Bus-Cables Shark

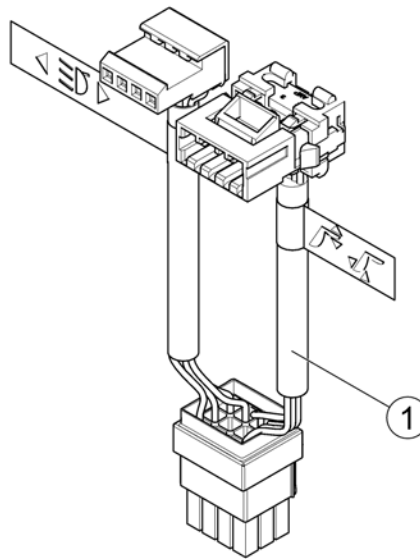
SHARKBUSKABEL.00



Pos.	Part number	Description	Valid from → until	Qty
1	1448922	Buscable Shark 1000mm		1
2	1450313	Buscable Shark 1500mm		1
3	1484911	Buscable Shark 2000mm		1
4	SP1510073	Buscable Shark 2500mm		1
5	1450314	Y-Cable		1
6	1116404	Extension Cable Shark 900mm		1

Cables Shark

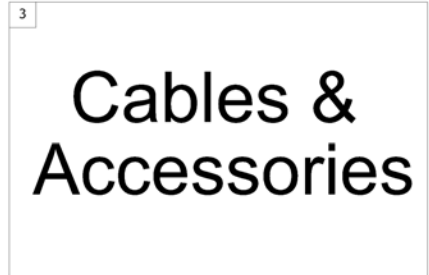
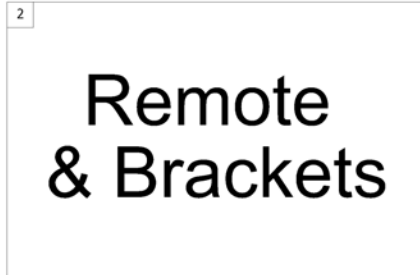
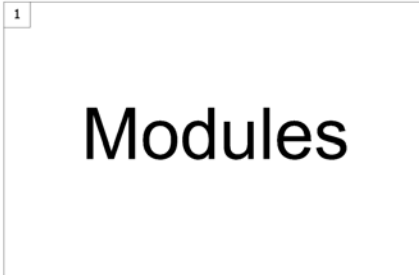
1583705.000



Pos.	Part number	Description	Valid from → until	Qty
1	1488951	Wire Harness Shark - electrical adjustments & light		1

R-NET Electronic

1560022.no

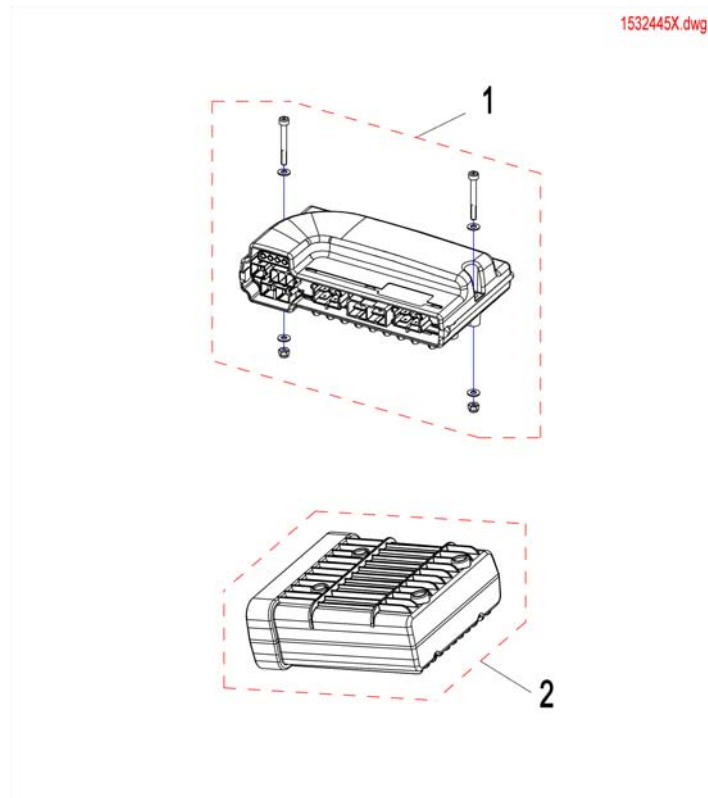


Pos.	Part number	Description	Valid from → until	Qty
1	-	R-NET Electronic Modules		1
2	-	R-NET Remote & Brackets		1
3	-	R-NET Cables & Accessories		1

R-NET Electronic Modules

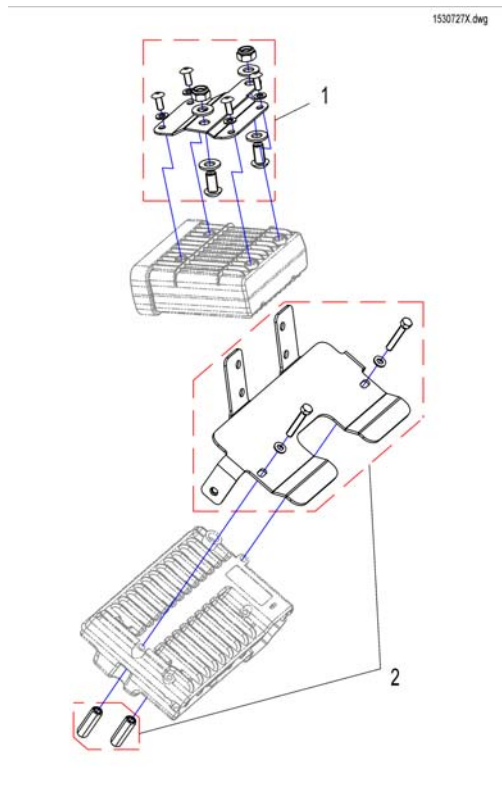
Pos.	Part number	Description	Valid from → until	Qty
-		Powermodule R-Net		1
-		Powermodules		1
-		Halter R-Net		1
-		Holder ISM		1
-		Lightboard		1
-		Lightboardholder R-Net		1

Powermodule R-Net



Pos.	Part number	Description	Valid from → until	Qty
1	SP1532445	Powermodule, R-net, 80A, 2 actuators, R-net EL PM90		1
2	SP1532446	Seating/Lightning Module R-NET ISM-6L PGDT		1

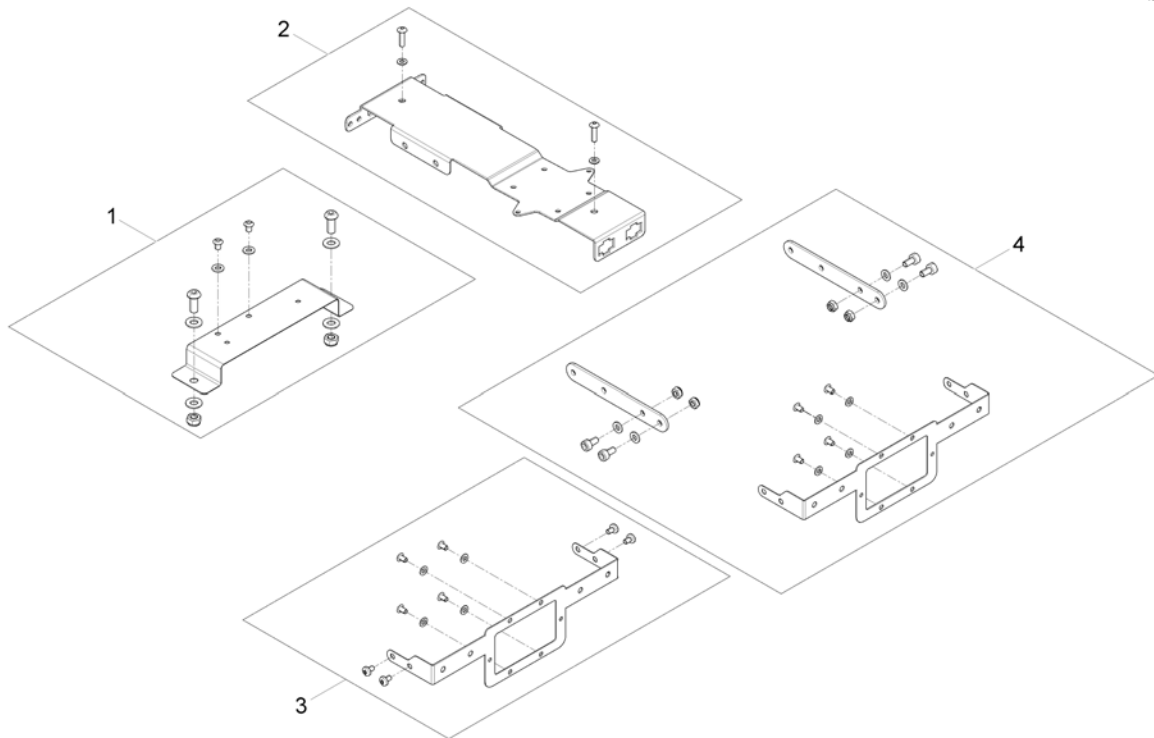
Halter R-Net



Pos.	Part number	Description	Valid from → until	Qty
1	SP1536677	Holder Seat-/Lightmodule (ISM)		1
2	SP1536740	Holder Powermodule		1

Holder ISM

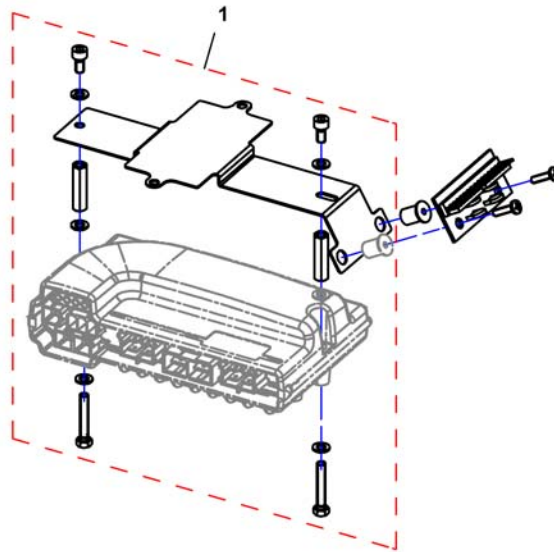
1537062X iso



Pos.	Part number	Description	Valid from → until	Qty
1	SP1528232	Holder ISM Firmseat & Standardseat		1
2	SP1569979	Multi support bracket		1
3	SP1569959	ISM bracket		1
4	SP1571925	Support bracket ISM-Module lifter		1

Lightboardholder R-Net

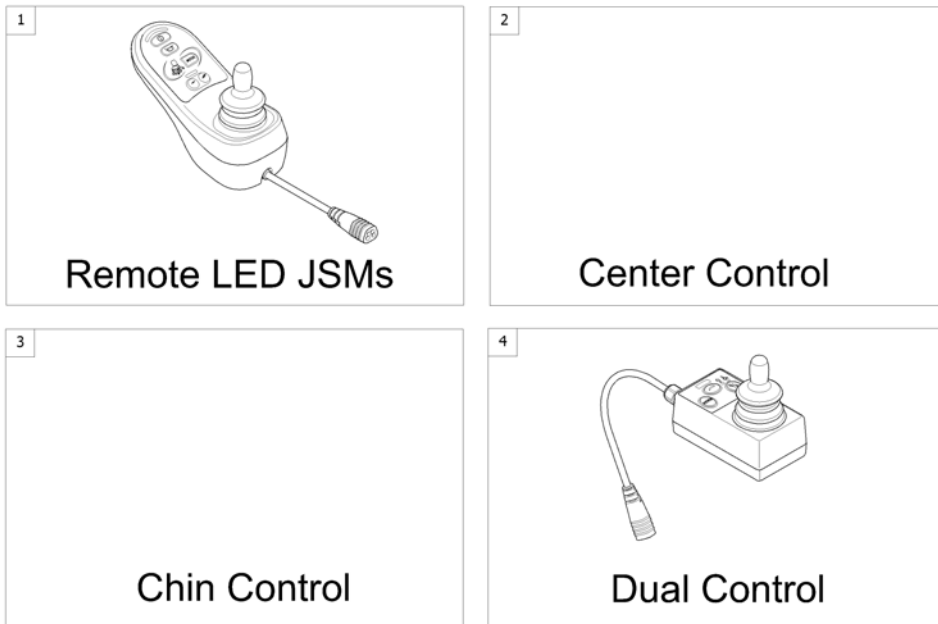
1533410X.dwg



Pos.	Part number	Description	Valid from → until	Qty
1	SP1537916	Holder for Lightboard		1

R-NET Remote & Brackets

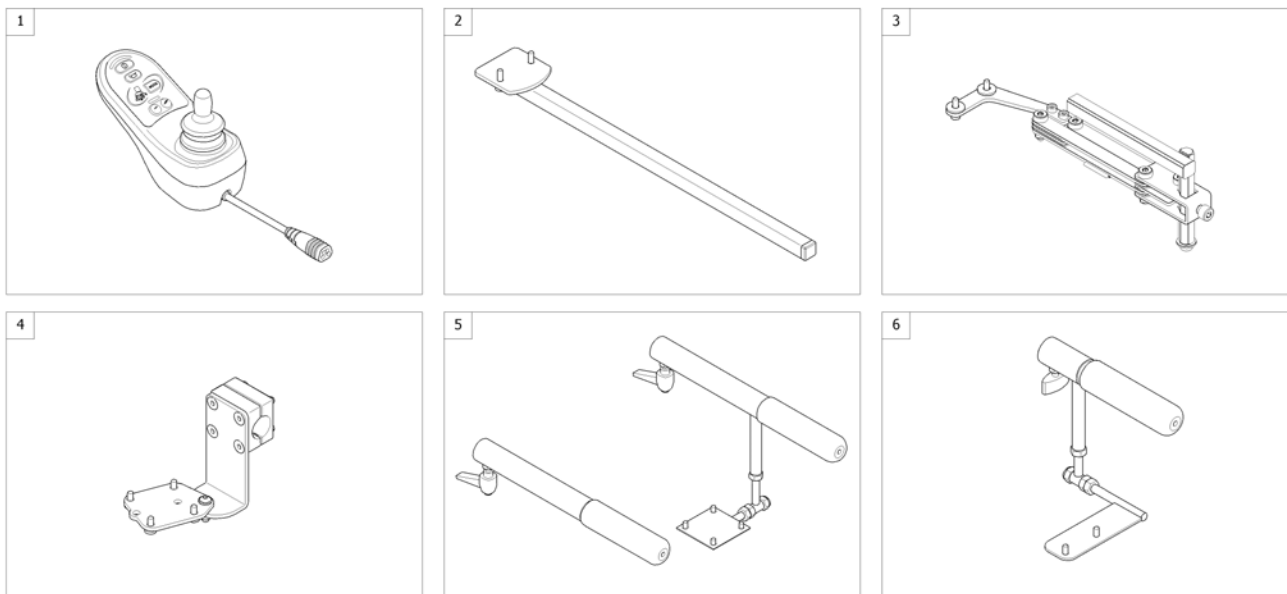
1560924.iss



Pos.	Part number	Description	Valid from → until	Qty
1	-	Remote R-Net LED JSMs with Brackets <i>[1503/1504]</i>		1
2	-	Centre control <i>[1509]</i>		1
3	-	Chincontrol R-Net <i>[1511]</i>		1
4	-	Remote Dual Control with Brackets <i>[1595]</i>		1

Remote R-Net LED JSMs with Brackets

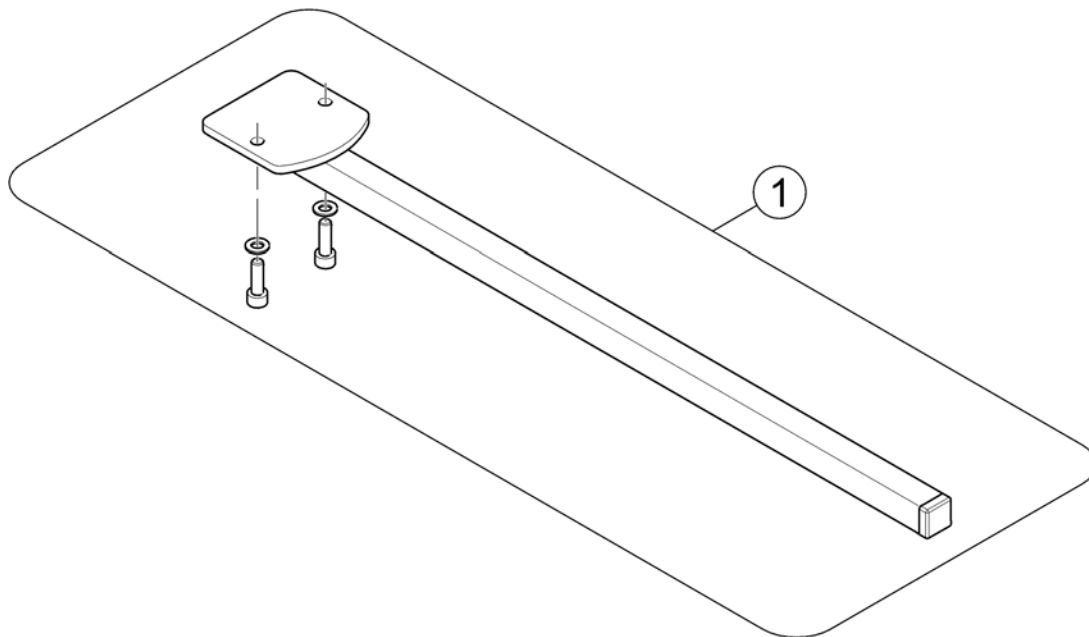
1561251-00



Pos.	Part number	Description	Valid from → until	Qty
1	SP1531273	Remote R-Net JSM LED-L" <i>[1503/1504]</i>		1
2	-	Remote Bracket Standard <i>[1503+1207/1208]</i>		1
3	-	Remote Bracket Swing away & height adjust. <i>[1503+1707/1708]</i>		1
4	-	Remote Bracket Attendant for Standard-/Flex2-/Max-Seat <i>[1504+1207/1208]</i>		1
5	-	Remote Bracket Attendant long for Firm Seat <i>[1504+1207/1208]</i>		1
6	-	Remote Bracket Attendant short for Firm Seat <i>[1504+1207/1208]</i>		1

Remote Bracket Standard

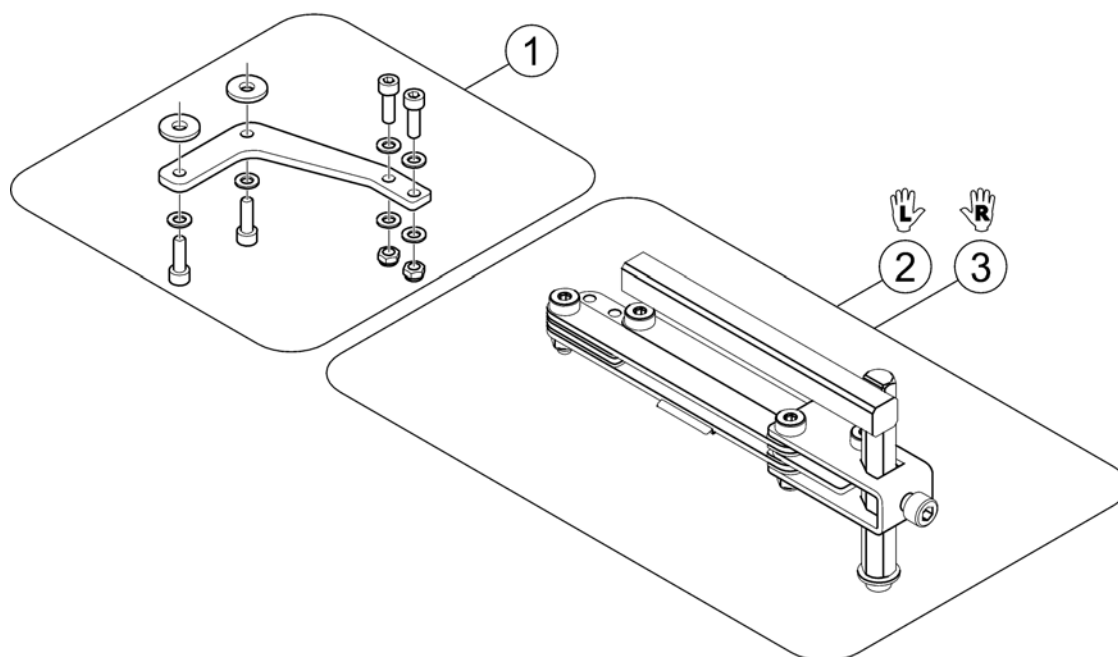
1560571.iso



Pos.	Part number	Description	Valid from → until	Qty
1	SP1527190	Remote Bracket		1

Remote Bracket Swing away & height adjust.

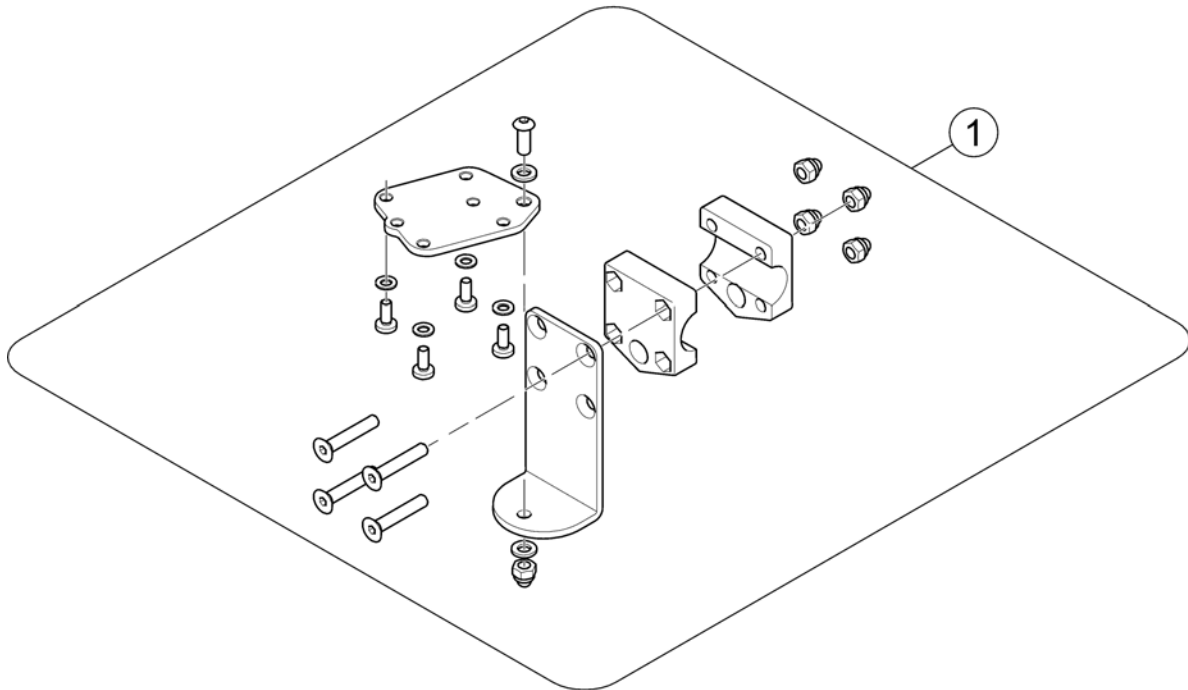
1560572.iso



Pos.	Part number	Description	Valid from → until	Qty
1	SP1528313	Remote Support for Bracket height adjustable and swing away		1
2	SP1496249	Remote bracket, height adjustable & swing away, LH		1
3	SP1496248	Remote bracket, height adjustable & swing away, RH		1

Remote Bracket Attendant for Standard-/Flex2-/Max-Seat

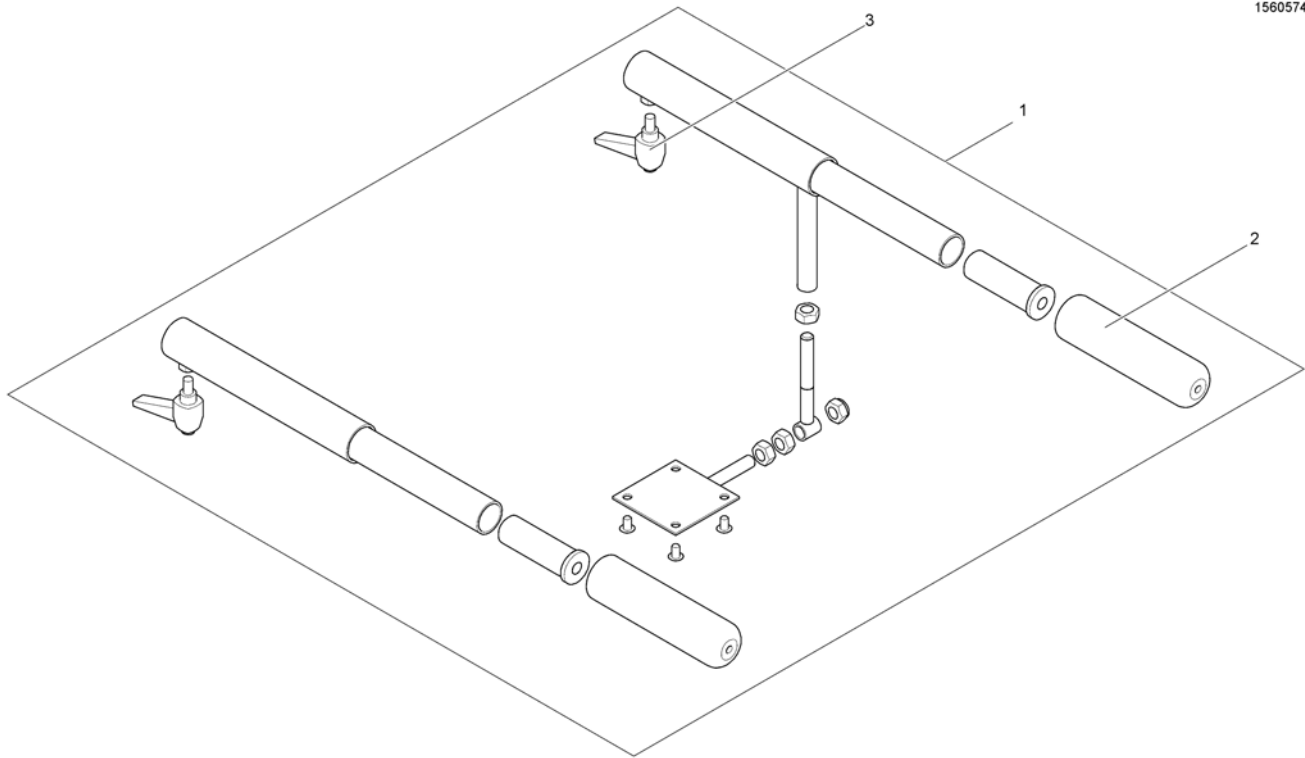
1561250.iso



Pos.	Part number	Description	Valid from → until	Qty
1	SP1531713	Remote Bracket		1

Remote Bracket Attendant long for Firm Seat

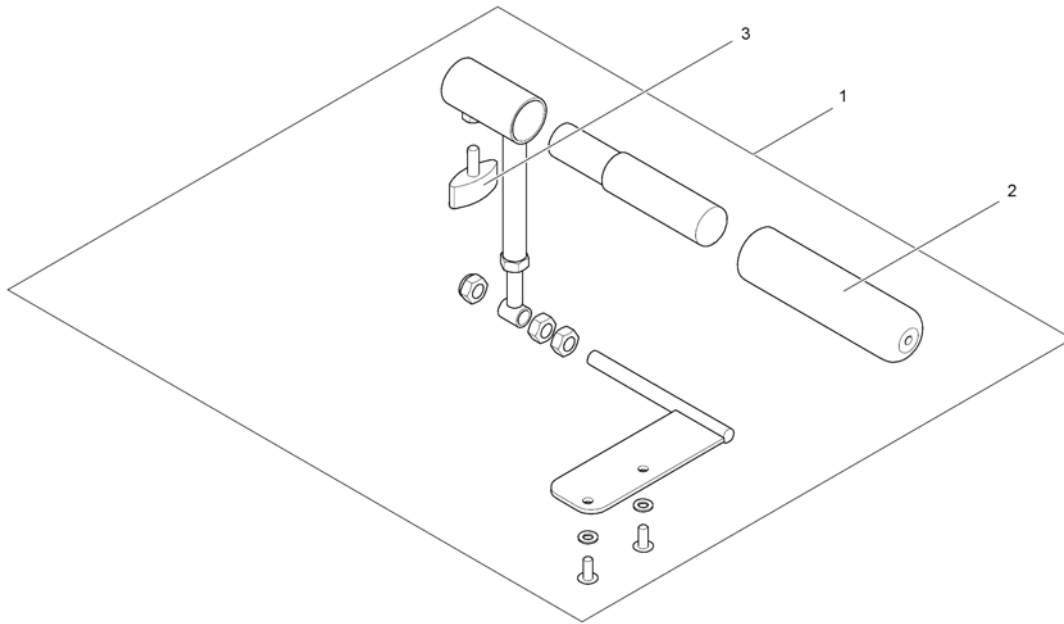
1560574.iso



Pos.	Part number	Description	Valid from → until	Qty
1	SP1531714	Holder attendantcontrol R-Net		1
2	1435421	Handle plastic black Ø22 "Invacare"		1
3	L32902	LEVER M6 X 10; BLACK		1

Remote Bracket Attendant short for Firm Seat

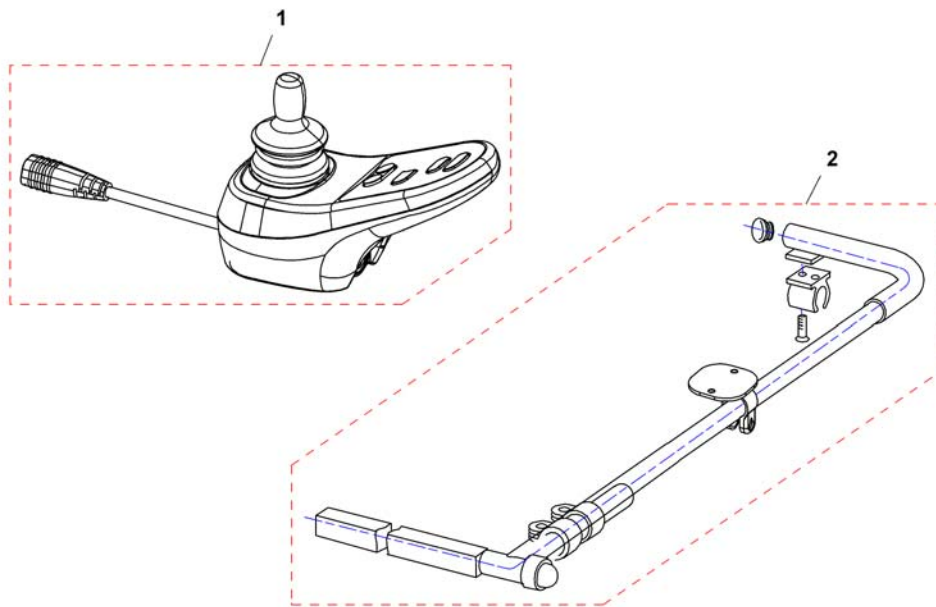
1560573.iso



Pos.	Part number	Description	Valid from → until	Qty
1	SP1543164	Remote Bracket Dual Control short for Firm seat		1
2	1435421	Handle plastic black Ø22 "Invacare"		1
3	L10024	Wing knobs M6x16		1

Centre control

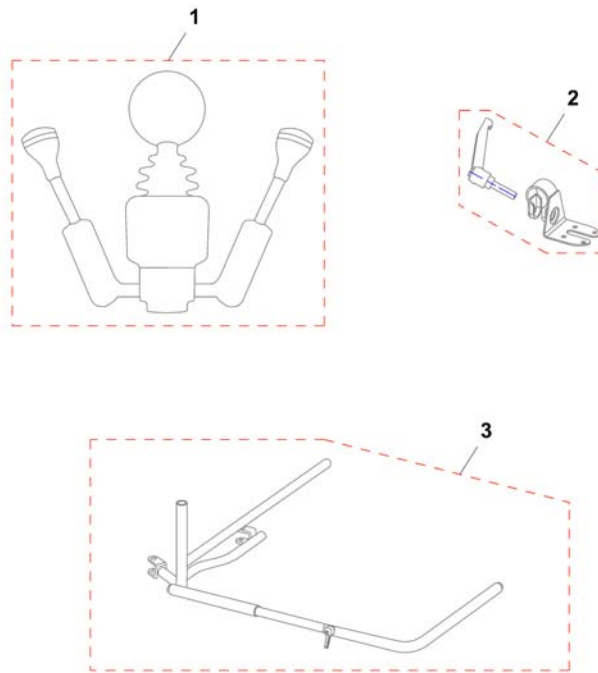
1531278X.dwg



Pos.	Part number	Description	Valid from → until	Qty
1	SP1531273	Remote R-Net JSM LED-L"		1
2	SP1531278	Holder middlecontrol		1

Chincontrol R-Net

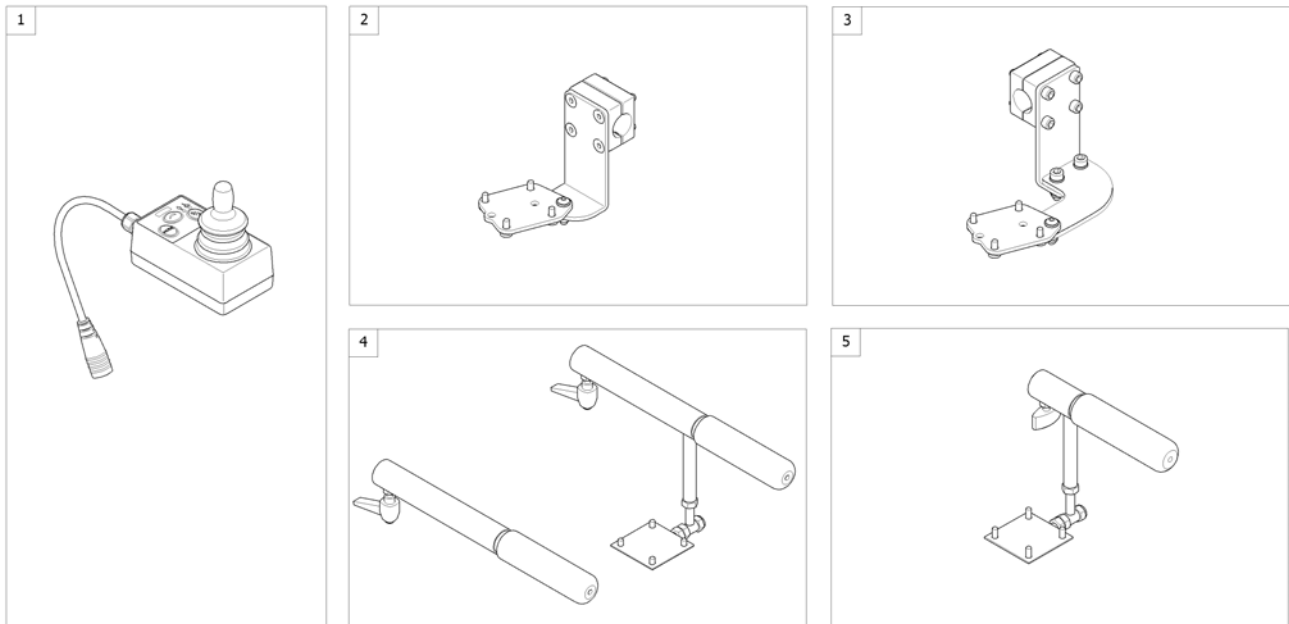
1534499X.dwg



Pos.	Part number	Description	Valid from → until	Qty
-	1422947	ASSEMBLY KIT F. CHIN CONTROL HOLDER ,STANDARDSEAT, CPL.		1
-	SP1533386	ASSEMBLY KIT F. CHIN CONTROL HOLDER ,FIRMSEAT, CPL.		1
1	SP1534499	Chincontrol R-Net Chin"		1
2	SP1537939	Holder chincontrol		1
3	SP1422942	Framework for chin control, manual, horizontal swing away, RH, cpl.		1
3	SP1422943	Framework for chin control, manual, horizontal swing away, LH, cpl.		1

Remote Dual Control with Brackets

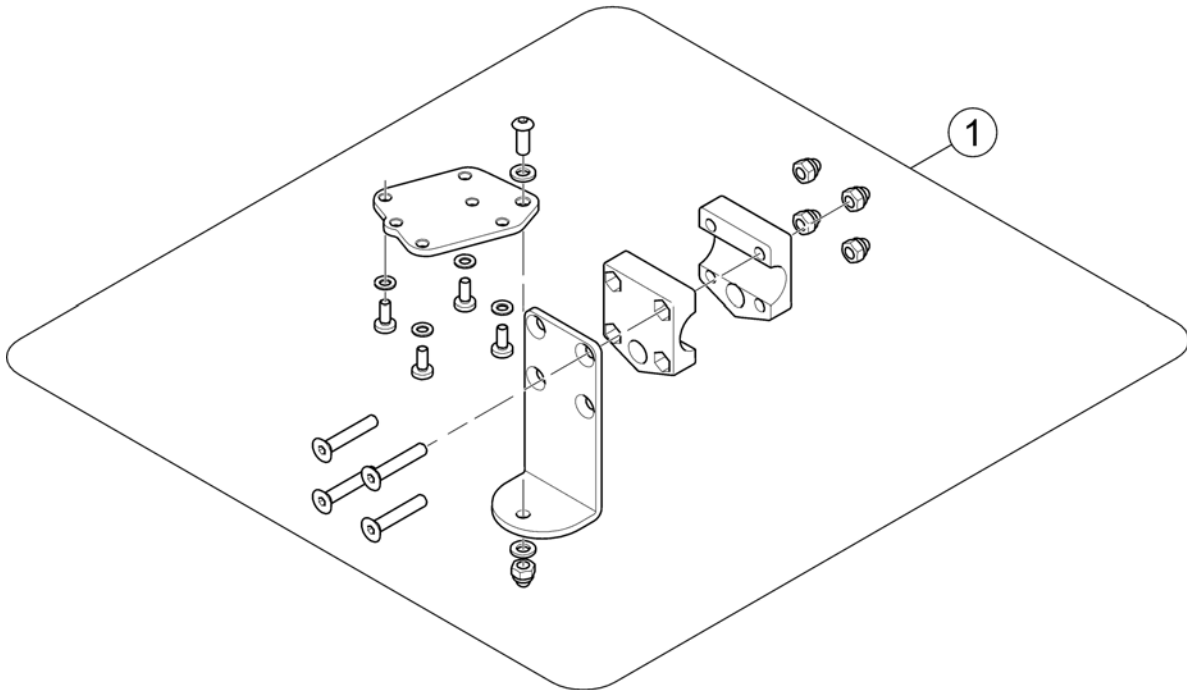
1561036.iss



Pos.	Part number	Description	Valid from → until	Qty
1	SP1532447	Remote Dualcontrol R-Net Attendant" [1595]		1
2	-	Remote Bracket Dual Control for Standard-/Flex2-Seat		1
3	-	Remote Bracket Dual Control for Modulite Seat		1
4	-	Remote Bracket Dual Control long for Firm Seat		1
5	-	Remote Bracket Dual Control short for Firm Seat		1

Remote Bracket Dual Control for Standard-/Flex2-Seat

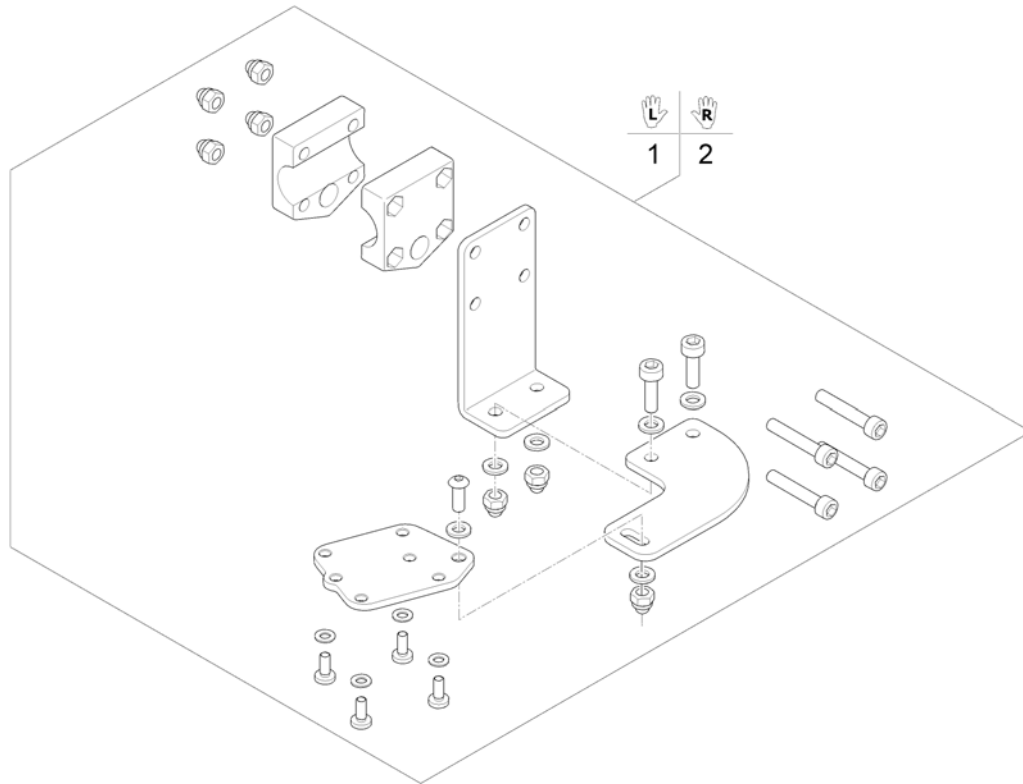
1561352.iso



Pos.	Part number	Description	Valid from → until	Qty
1	SP1531713	Remote Bracket		1

Remote Bracket Dual Control for Modulite Seat

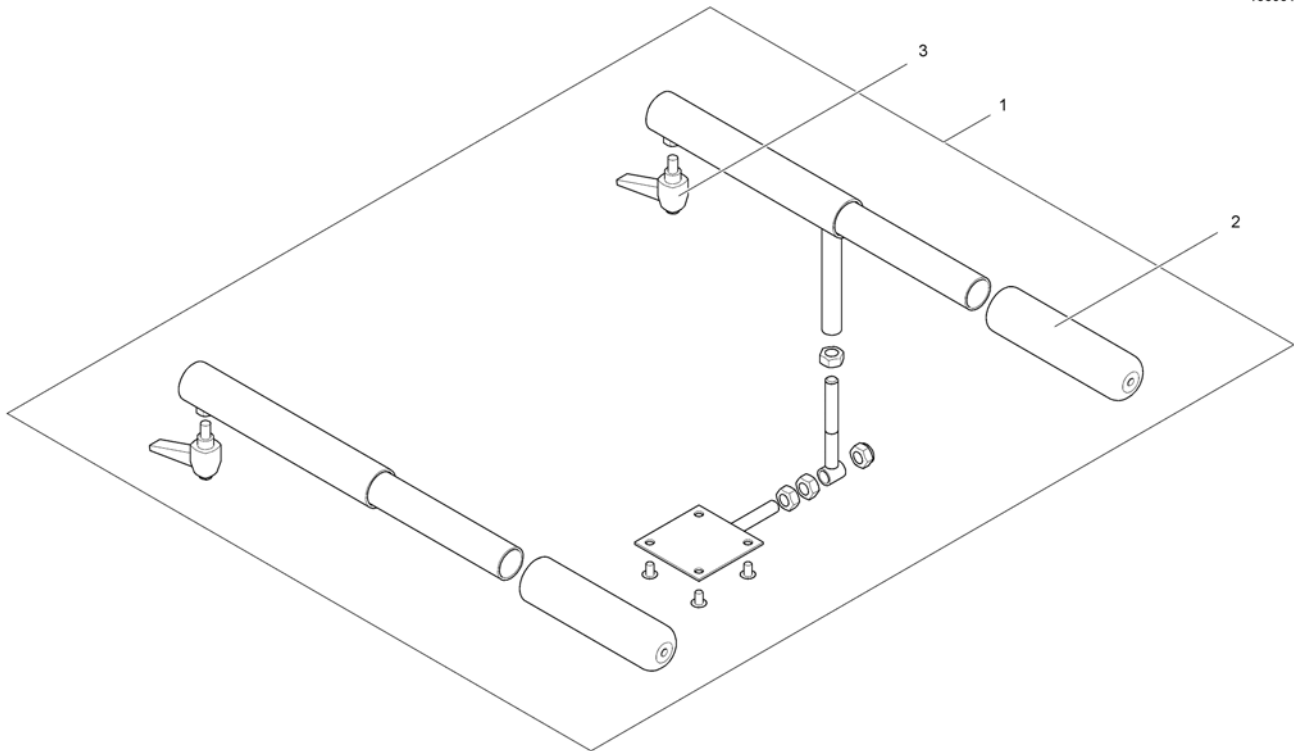
1574297.iso



Pos.	Part number	Description	Valid from → until	Qty
1	SP1571801	Remote Bracket Dual Control LH		1
2	SP1571802	Remote Bracket Dual Control RH		1

Remote Bracket Dual Control long for Firm Seat

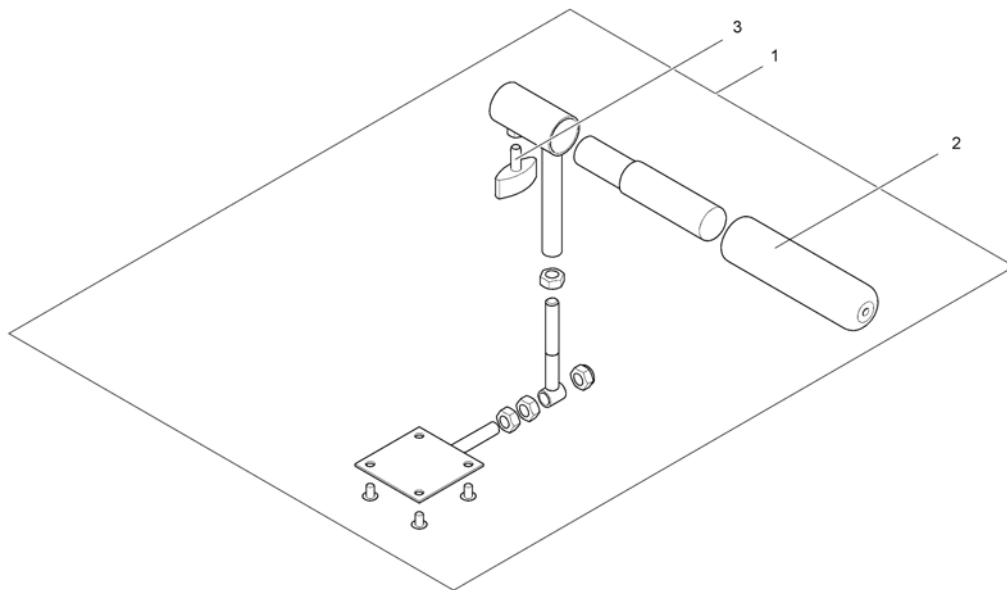
1560542.iso



Pos.	Part number	Description	Valid from → until	Qty
1	SP1531737	Remote Bracket Dual Control long		1
2	1435421	Handle plastic black Ø22 "Invacare"		1
3	L32902	LEVER M6 X 10; BLACK		1

Remote Bracket Dual Control short for Firm Seat

1560541.iso



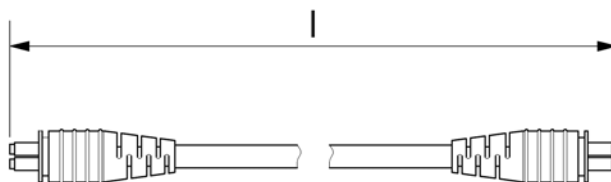
Pos.	Part number	Description	Valid from → until	Qty
1	SP1541569	Remote Bracket Dual Control short		1
2	1435421	Handle plastic black Ø22 "Invacare"		1
3	L10024	Wing knobs M6x16		1

R-NET Cables & Accessories

Pos.	Part number	Description	Valid from → until	Qty
-		Bus-Cables R-NET		1
-		T-Adapter R-NET		1
-		Slow-Stop-Sensor & Holder		1

Bus-Cables R-NET

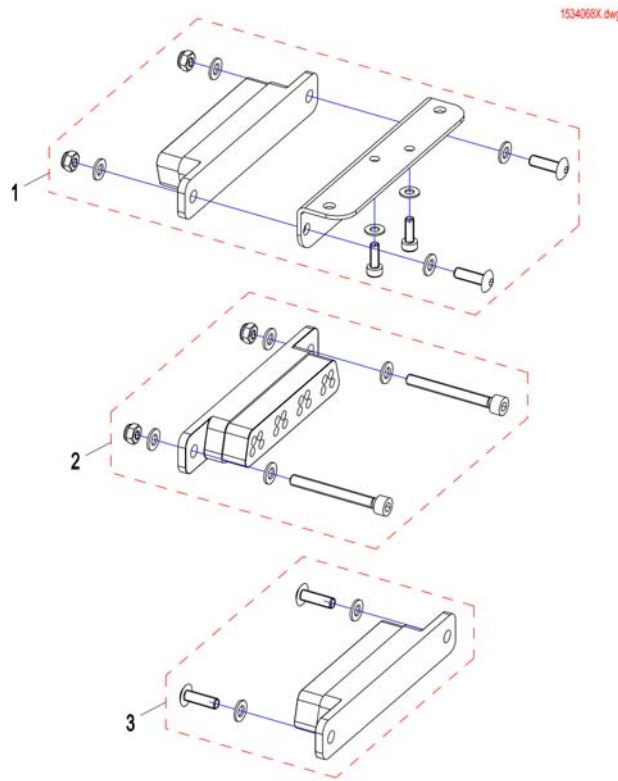
RNETBUSKABEL.kso



Pos.	l (mm)
1	500
2	1000
3	1500
4	2000

Pos.	Part number	Description	Valid from → until	Qty
1	SP1533675	Bus-Cable R-NET 500mm		1
2	SP1533676	Bus-Cable R-NET 1000mm		1
3	SP1533677	Bus-Cable R-NET 1500mm		1
4	SP1533678	Bus-Cable R-NET 2000mm		1

T-Adapter R-NET



Pos.	Part number	Description	Valid from → until	Qty
1	SP1536923	T-Adapter R-NET for Flex2 with lifter		1
2	SP1534949	T-Adapter R-NET for Firmseat with / without lifter, and Flex2 without lifter		1
3	SP1534064	T-Adapter R-NET for Standardseat with / without lifter		1

VR2 Electronic



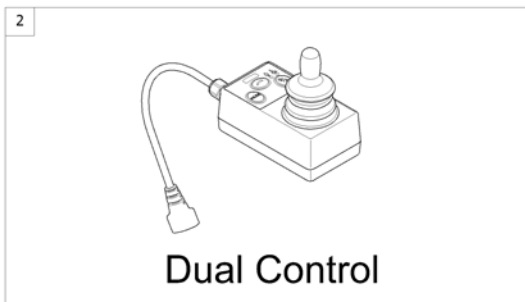
Pos.	Part number	Description	Valid from → until	Qty
1	-	VR2 Electronic Modules		1
2	-	VR2 Remote & Brackets		1

VR2 Electronic Modules

Pos.	Part number	Description	Valid from → until	Qty
-		Powermodules		1
-		Lightboard		1

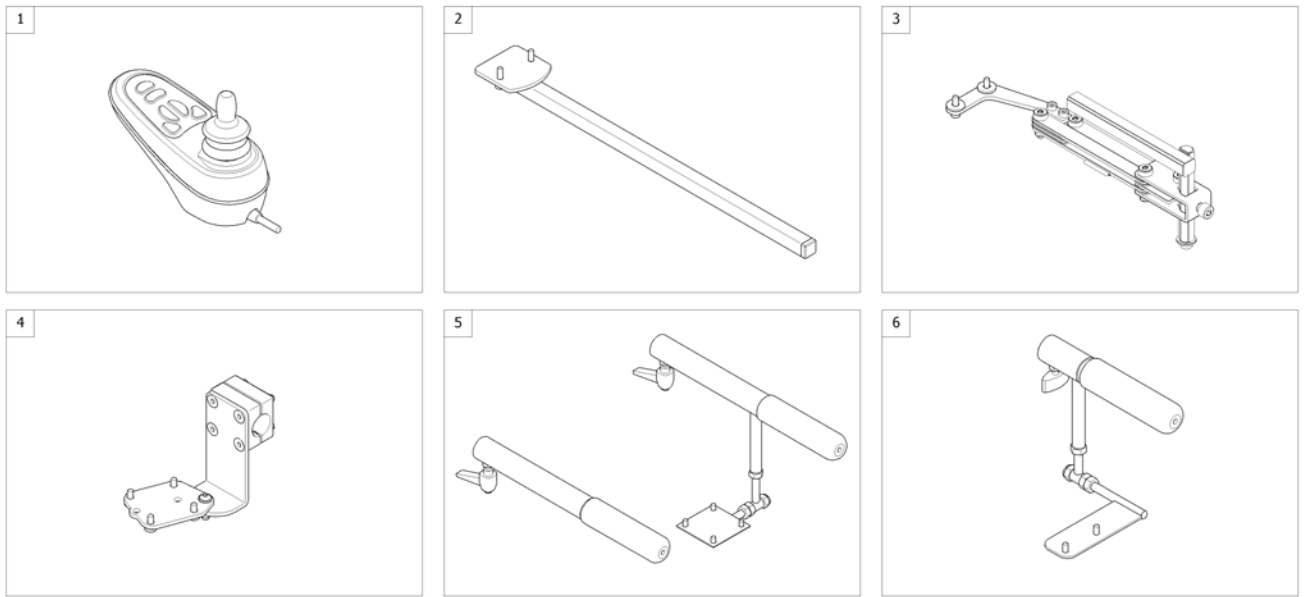
VR2 Remote & Brackets

1561182-00



Pos.	Part number	Description	Valid from → until	Qty
1	-	Remote VR2 with Brackets <i>[1552/1554]</i>		1
2	-	Remote Dual Control with Brackets <i>[1594]</i>		1

Remote VR2 with Brackets

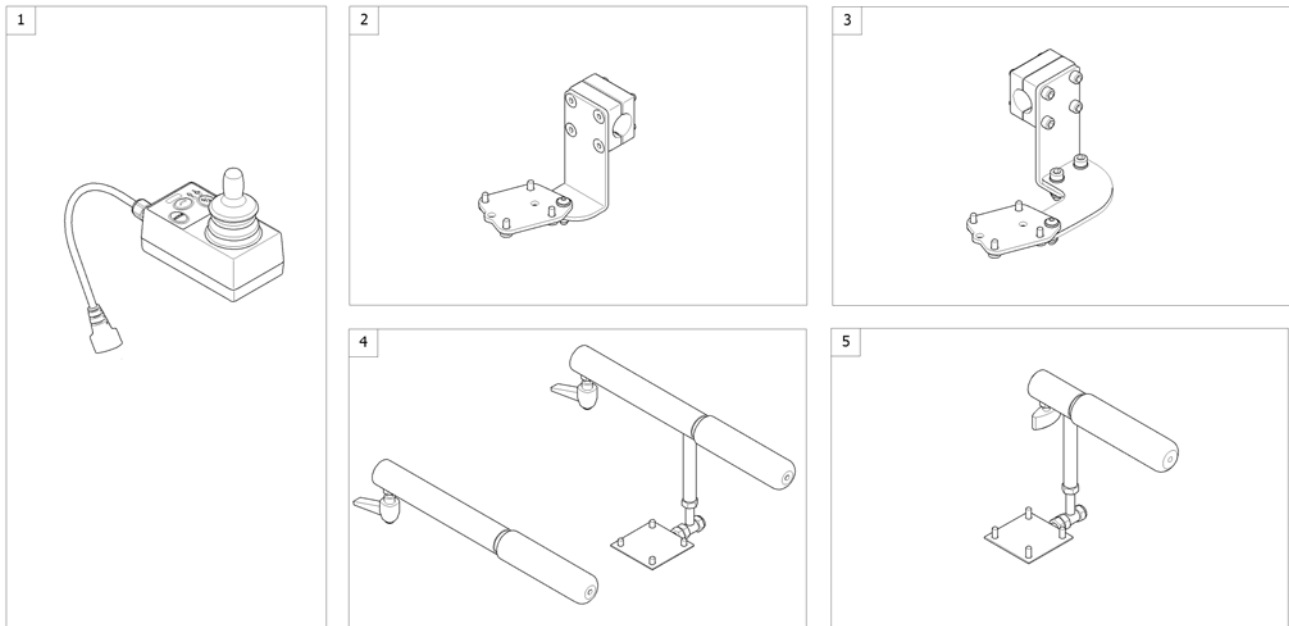


1561252/60

Pos.	Part number	Description	Valid from → until	Qty
1	SP1510130	VR2 Remote (2 actuators) [1552/1554]		1
2	-	Remote Bracket Standard [1552+1207/1208]		1
3	-	Remote Bracket Swing away & height adjust. [1552+1707/1708]		1
4	-	Remote Bracket Attendant for Standard-/Flex2-/Max-Seat [1554+1207/1208]		1
5	-	Remote Bracket Attendant long for Firm Seat [1554+1207/1208]		1
6	-	Remote Bracket Attendant short for Firm Seat [1554+1207/1208]		1

Remote Dual Control with Brackets

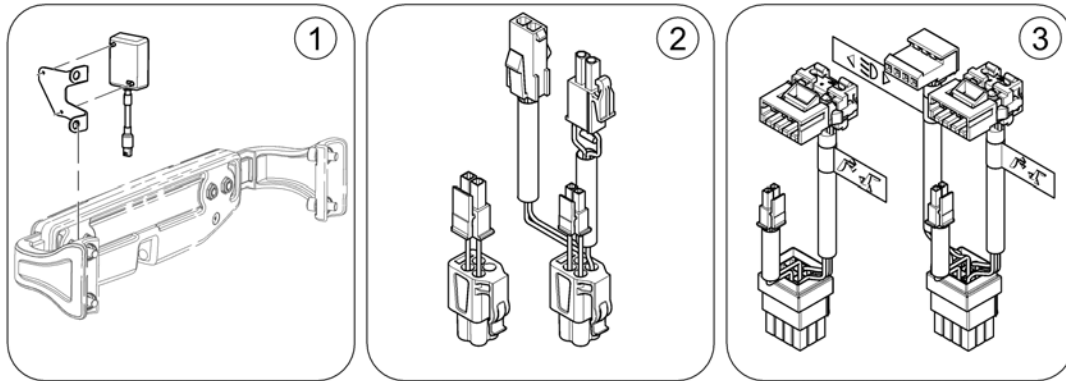
1560843 iso



Pos.	Part number	Description	Valid from → until	Qty
1	SP1531736	Remote Dual Control (incl. Y-cable) [1594]		1
2	-	Remote Bracket Dual Control for Standard-/Flex2-Seat [1594+1207/1208]		1
3	-	Remote Bracket Dual Control for Modulite Seat		1
4	-	Remote Bracket Dual Control long for Firm Seat [1594+1207/1208]		1
5	-	Remote Bracket Dual Control short for Firm Seat [1594+1207/1208]		1

Drive Lockout ACS / Shark

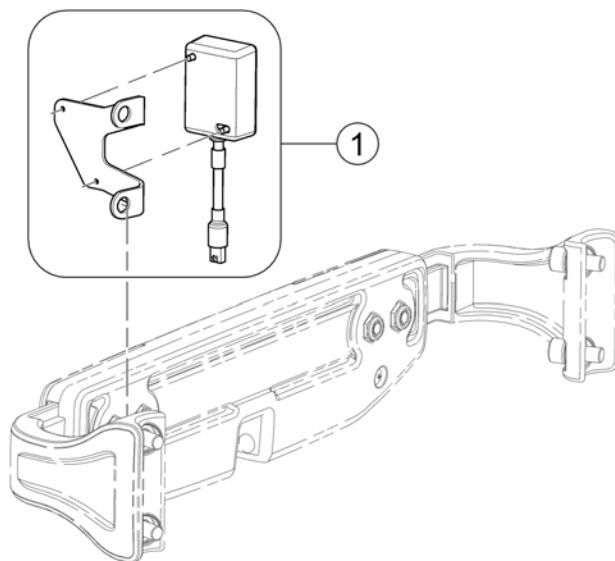
158380-00



Pos.	Part number	Description	Valid from → until	Qty
1	-	Drive Lockout with bracket		0
2	-	Drive Lockout Cables - ACS		0
3	-	Drive Lockout Cables - Shark		0

Drive Lockout with bracket

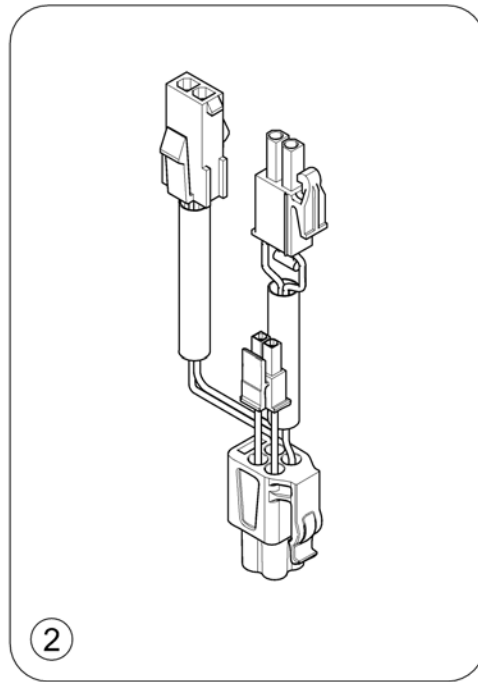
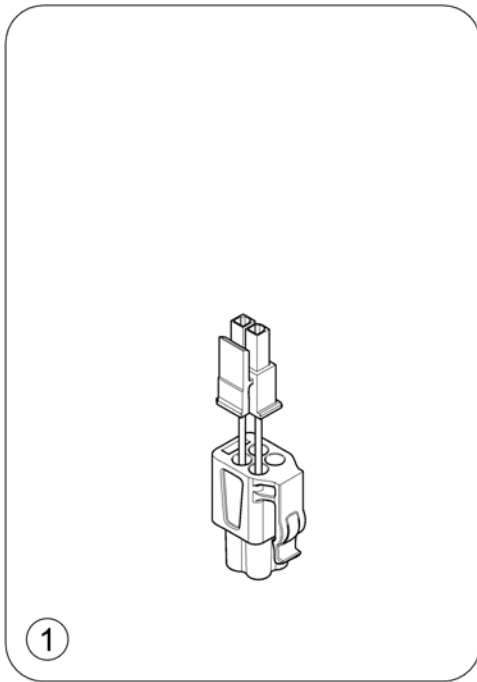
1583877.00



Pos.	Part number	Description	Valid from → until	Qty
1	SP157707	Drive Lockout with bracket <i>Shark+[0977] / ACS+[2100]+[1092/1093/1094]</i>		1

Drive Lockout Cables - ACS

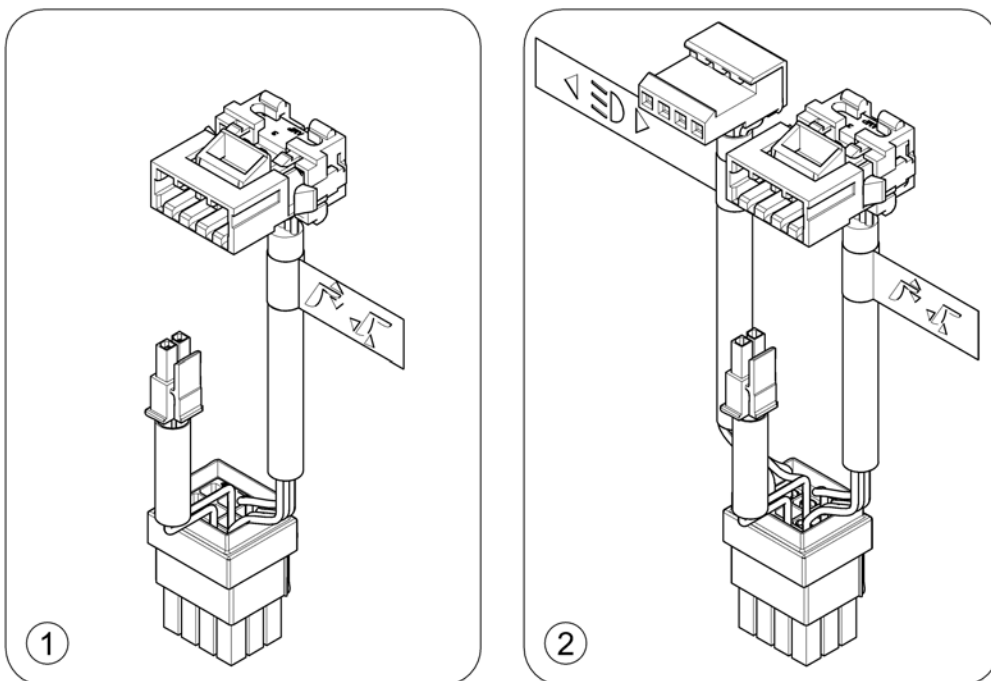
1563079.00



Pos.	Part number	Description	Valid from → until	Qty
1	SP1577328	Wire Harness - Drive Lockout & Tilt		1
2	SP1577327	Wire Harness - Drive Lockout, Tilt & Lifter		1

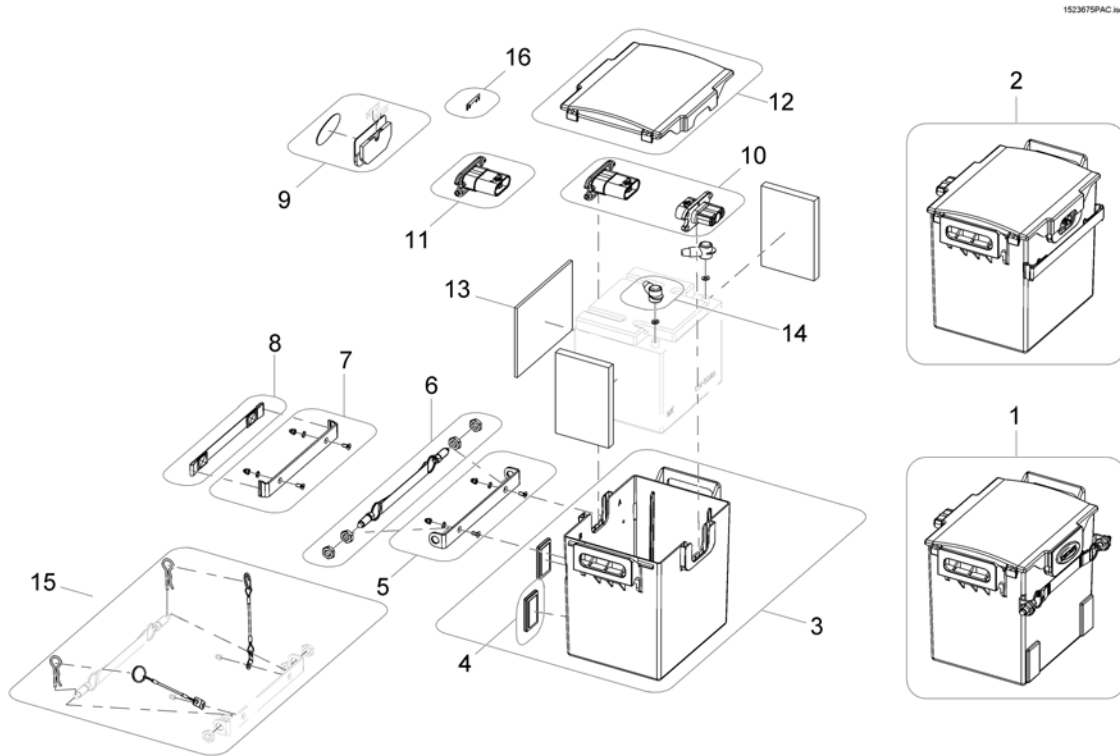
Drive Lockout Cables - Shark

1563878.00



Pos.	Part number	Description	Valid from → until	Qty
1	SP1577326	Wire Harness - Drive Lockout & el. Adjustments [0977]+[1254]		1
2	SP1577325	Wire Harness - Drive Lockout, el. Adjustments & Light [0977]+[1367/1437]		1

Battery Boxes



Pos.	Part number	Description	Valid from → until	Qty
-	SP1588075	Cable Tie Set V0 (10 of each T18R/T30R/T50R)		1
1	SP1523726	Rear Battery Box cpl. (with Battery)		1
1	SP1543058	Rear Battery Box cpl. (without Battery)		1
2	SP1523675	Front Battery Box cpl. (with Battery)		1
2	SP1543059	Front Battery Box cpl. (without Battery)		1
3	SP1527862	Battery Box Lower Part with Reflector		1
4	5807542	Reflector angled, red		1
5	SP1527863	Bracket Battery Close		1
6	SP1527864	Battery Close		1
7	SP1527865	Bracket Handle Support		1
8	SP1523732	Strip Battery Box		1
9	SP1527866	Dummy Plate with Invacare-Logo		1
10	SP1523673	Batterycable & Plug, Front		1
11	SP1534152	Batterycable & Plug, Rear		1
12	SP1523650	Battery Box Cover		1
13	SP1527867	Battery Insert Set (1 Battery Box)		1
14	P52996	Battery terminal cover		1
15	SP1531198	Crash-Fixation for Batterybox		1
16	P12191	Fuse 50A		1

Batteries

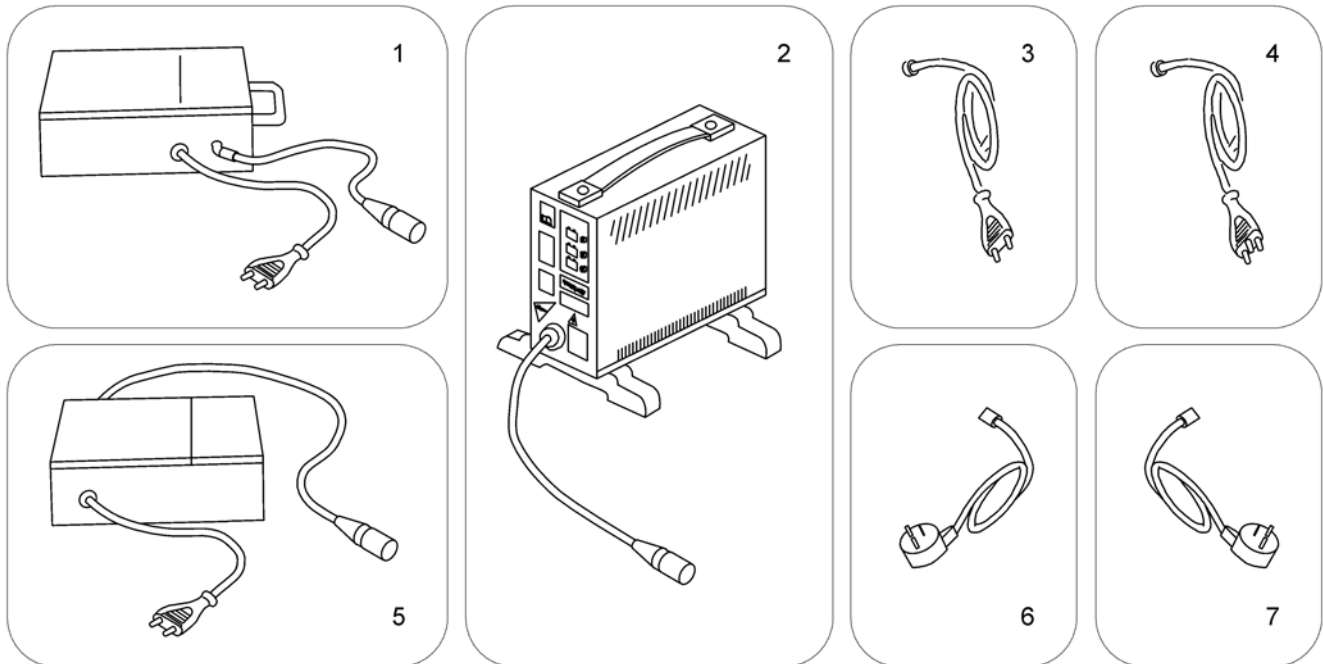
	Capacity [Ah]															
	1,2	12	30	31	32	36	38	40	40	50	50	50,9	60	73,6	75	97,6
Bora/SpectraXTR								8		10						
Dragon										10			13			
Dragon Vertic													13			
FDX													13			
G50													13	14		16
Kite													13	14		
Mirage				4				8								
Mistral3				4									12			
P9000XDT					5											
Pronto M41					5											
Pronto M61					5											
Spectra Blitz								8					12			
Spectra Comfort								7								
Spectra Plus								7								
Spectra Seat Riser								7								
Storm3										10			13	14		
Storm3 True Track	1													14		
Storm3 Vertic														14		
Storm4														14		
Storm4 Max														14		
Stream										10			13			
TDX-SP														14		
TDX-SP Narrow													12			
Tiger										10			13			
Topan													13			
Tornado								8								
Typhoon													13			
Typhoon GB	1												13			
Typhoon GB	1												13			
Zephyr	1												13			
Auriga			3					8		10						
Comet														14	15	
Leo						6			9							
Lynx		2														
Meteor														14		
Orion												11				
length [mm]	97	152	197	196	211	196	210	197	198	198	238	259	260	260	329	
width [mm]	49	99	132	132	132	130	175	168	165	166	165	140	169	171	168	171
height [mm]	51	102	180	183	183	179	175	175	171	176	170	235	178	210	223	238
weight [kg]	0,6	3,9	11,1	10,5	11	12	14,6	14,4	14,2	14	16	17,1	19,3	24,3	26	32,5



Pos.	Part number	Description	Valid from → until	Qty
i	-	Change batteries only pairwise and from the same type!		1
1	1440386	Battery, 12V/1,2Ah C20, GEL		1
2	SP1506493	Battery 12V/12Ah, lead acid		1
3	P50021	Battery, 12V/30Ah C20, GEL		1
4	P50029	Battery, 12V/31Ah C20, GEL		1
5	SP1521459	Battery, 12V/34Ah C20, AGM		1
6	1505498	Battery, 12V/36Ah C20, AGM		1
7	P50028	Battery, 12V/38Ah C20, GEL (UK & DK only)		1
8	PG50988	Battery, 12V/40Ah C20, GEL		1
9	SP1550692	Battery, 12V/40Ah C20, AGM		1
10	SP1522107	Battery, 12V/50Ah C20, AGM		1
11	SP1521695	Battery, 12V/50Ah C20 AGM		1
12	PG50989	Battery, 12V/50,9Ah C20, GEL		1
13	1432944	Battery, 12V/60Ah C20, GEL		1
14	P50016	Battery, 12V/73,6 Ah C20, Gel		1
15	SP1522026	Battery, 12V/75Ah C20, AGM		1
16	1478675	Battery, 12V/97,6Ah C20, GEL		1

Chargers

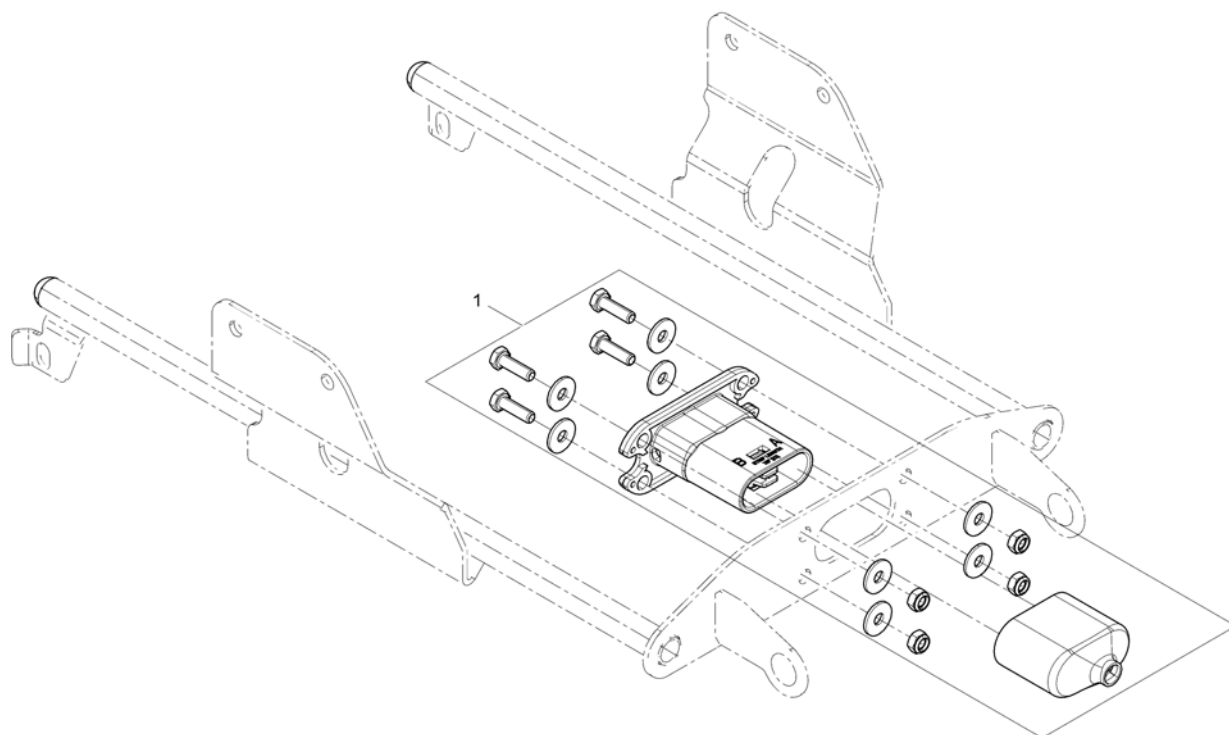
SP51981.iso



Pos.	Part number	Description	Valid from → until	Qty
1	5813987	Charger 8A, Gi Popular (Sweden only)		1
2	SPP51981	Charger 8A for Batteries up to 73Ah (without power cord)		1
3	P21079	Power Cord, Continental Shockproof Plug		1
4	1443841	Power Cord, Swiss		1
5	1510201	Charger 10A, Powercharge Classic (G50), for Batteries from 97AH (with power cord)		1
5	SP1545511	Charger 10A, LADAC, incl. power cord continental shockproof		1
6	P21080	Power Cord, UK		1
7	SP1553849	Power Cord, Israel		1

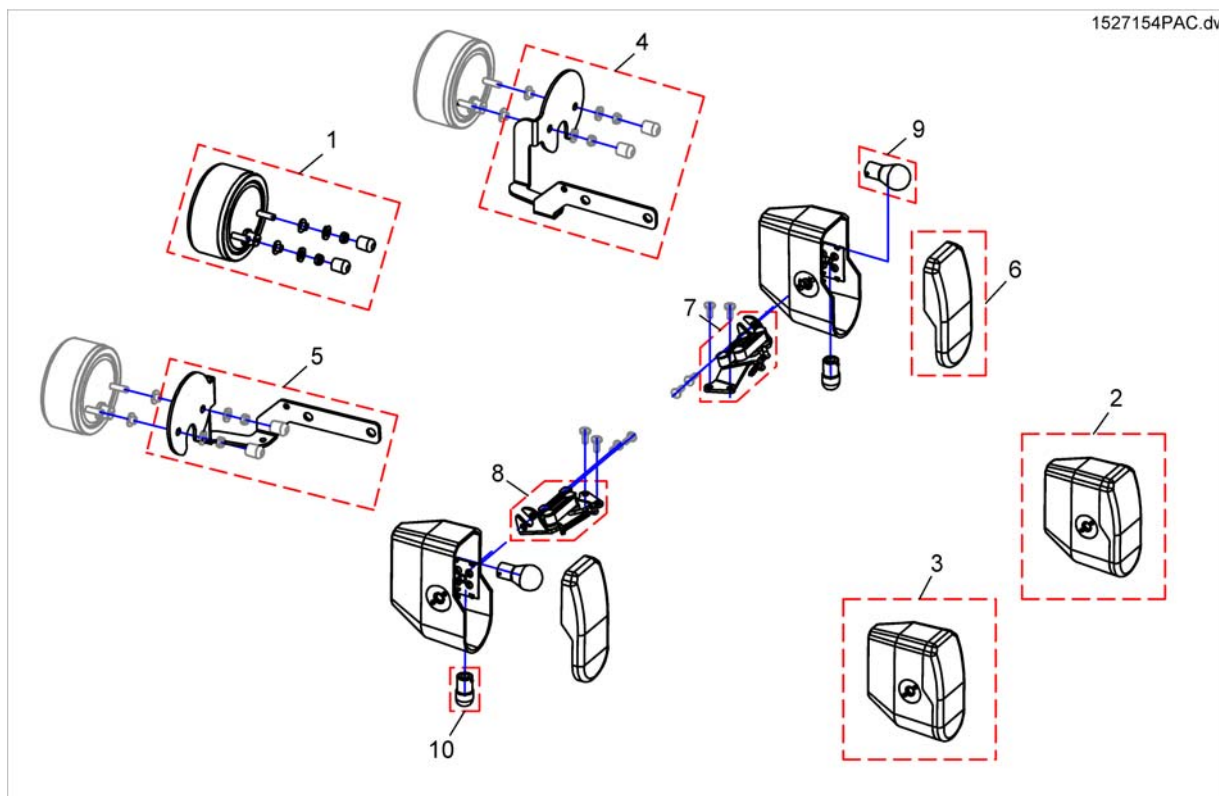
Battery cable & Plug

1526803X.iso



Pos.	Part number	Description	Valid from → until	Qty
1	SP1528270	Battery cable & Plug (ACS1)		1
1	SP1526803	Battery cable & Plug (ACS2/Shark)		1
1	SP1526804	Battery cable & Plug (VR2)		1
1	SP1533701	Battery cable & Plug (R-Net)		1

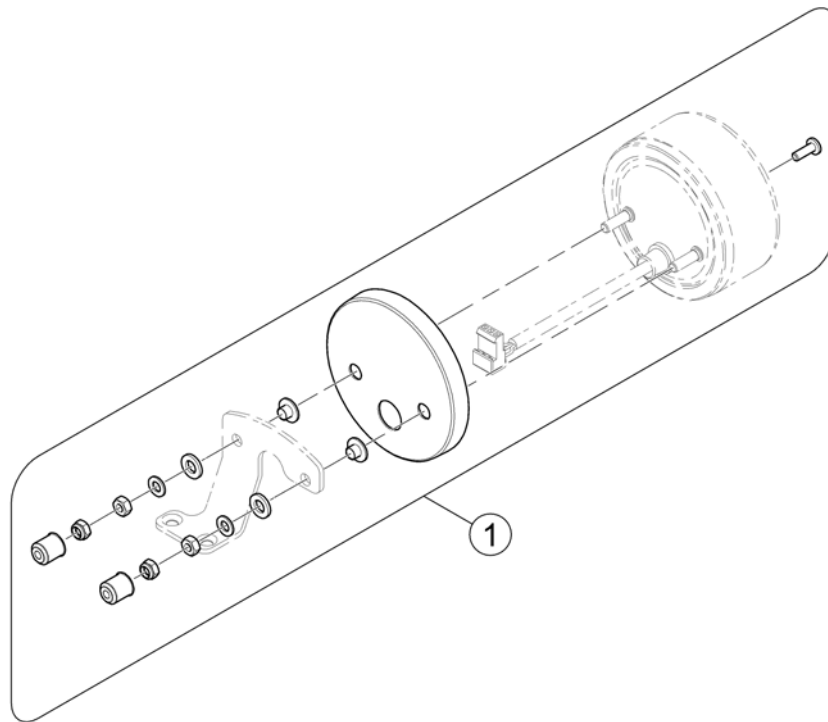
Light System (German homologation)



Pos.	Part number	Description	Valid from → until	Qty
!!!	-	Rear Light Protector Kit		0
1	SP1529532	Rear Light LH		1
1	SP1529479	Rear Light RH		1
2	1442735	Headlamp LH 24V cpl. <i>In case of retrofitting lights, please also order the SP1528415</i>		1
3	1442734	Headlight 24V, RH, cable 600mm, without bracket <i>In case of retrofitting lights, please also order the SP1528415</i>		1
4	SP1527092	Rearlight bracket, LH		1
5	SP1527091	Rearlight bracket, RH		1
6	1433737	Glass For Front Light		1
7	1428081	Swivel Mechanism LH		1
8	1428082	Swivel Mechanism RH		1
9	SP1419271	Light Bulb 24V/21W, yellow (Turn Signal front/rear)		1
10	SPP31108	Light Bulb 24V/10W (BA15s), white (Front)		1

Rear Light Protector Kit

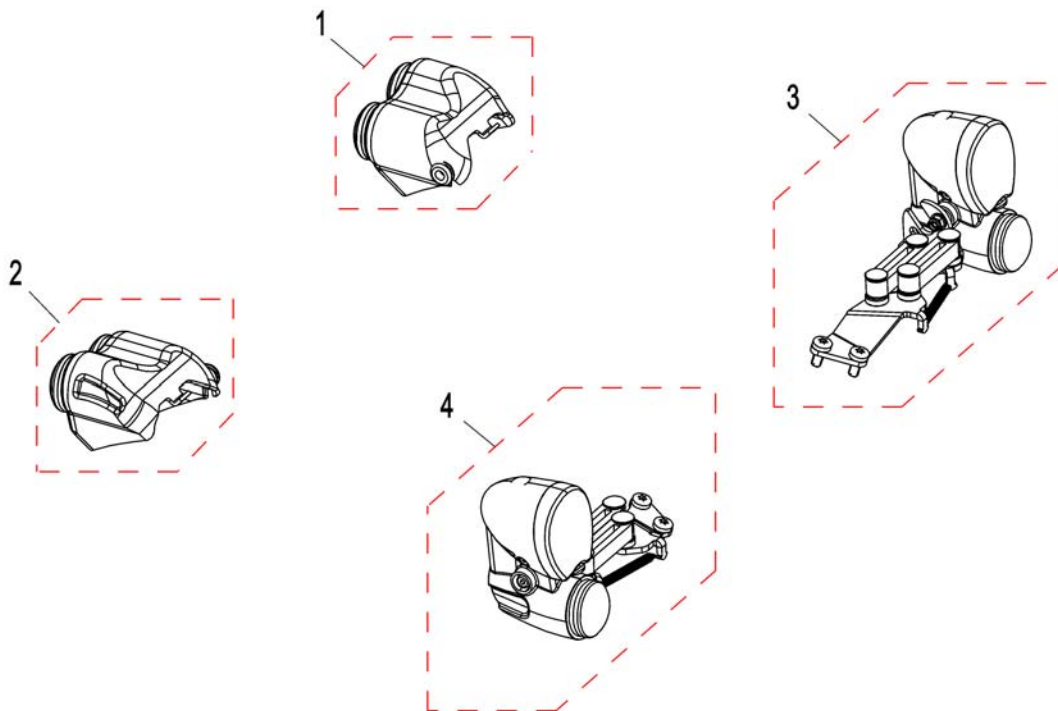
1585420 (6)



Pos.	Part number	Description	Valid from → until	Qty
1	SP1581827	Rear Light Protector Exchange Kit		1

LED Light System

1531239X.dwg

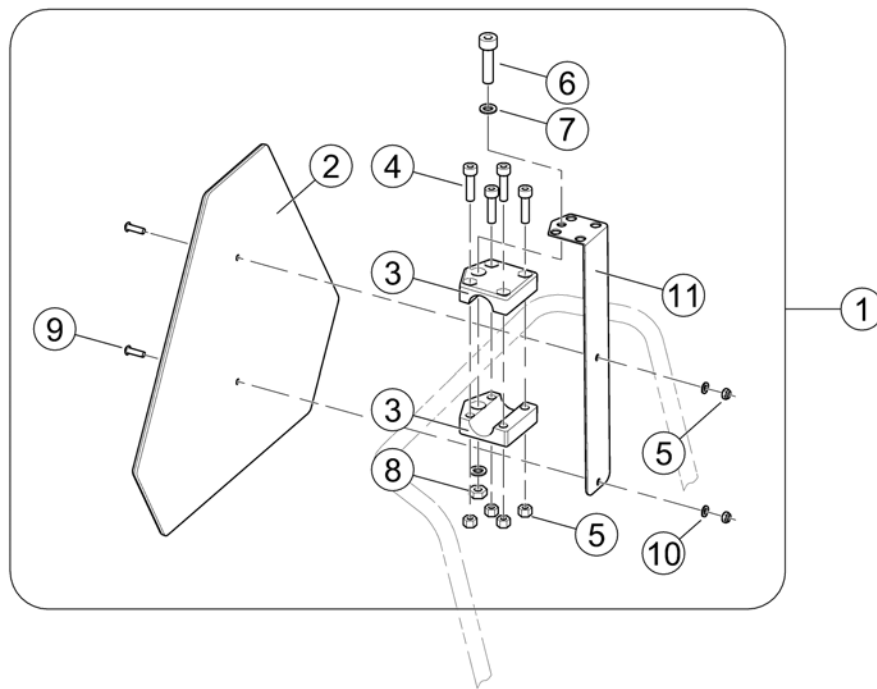


If retrofitting light, or for chairs before CW. 06/2010, fenders are needed.

Pos.	Part number	Description	Valid from → until	Qty
1	SP1531503	Rearlight, LED, LH		1
2	SP1531502	Rearlight, LED, RH		1
3	SP1531276	Frontlight, LED, LH		1
4	SP1531650	Frontlight, LED, RH		1

Reflective Sign

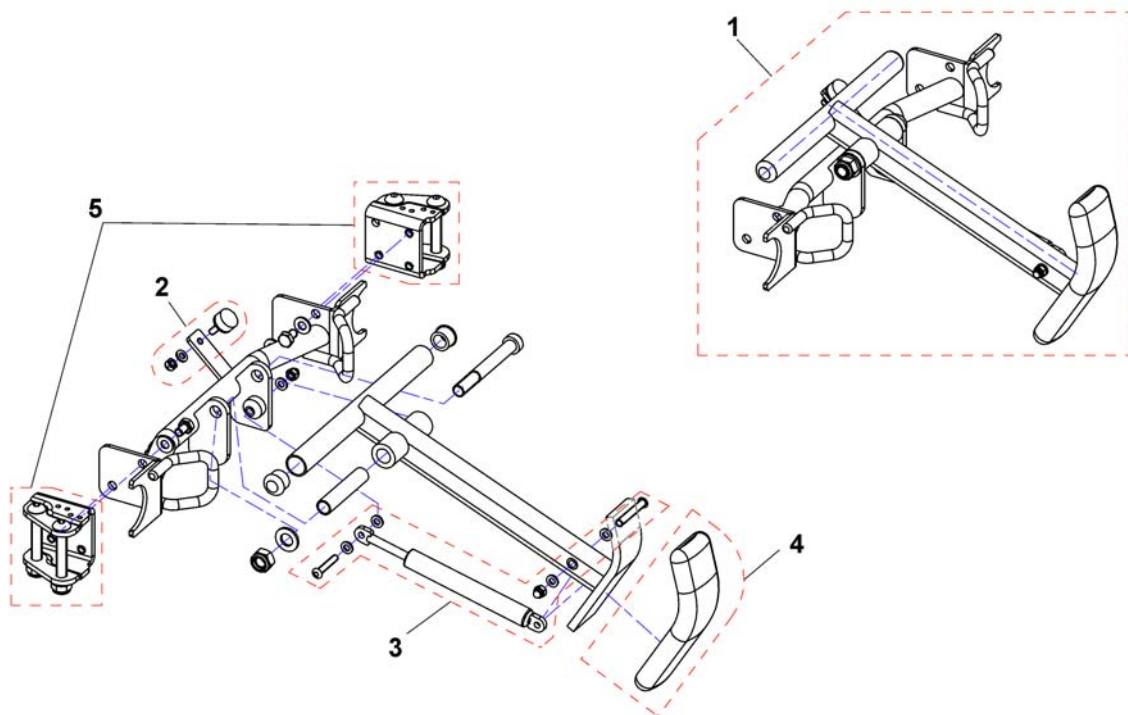
SP1430410.iss



Pos.	Part number	Description	Valid from → until	Qty
1	SP1430410	Reflective Sign ECE-R 69, complete		1
2	1430834	Rear Marking Sign Ece-R 69		1
3	Z12008A.P40	Gripping clip with hexagon hole, RAL 9005 black		2
4	D50004	Cylinder Bolt M6x30-8.8 bk - DIN 912		4
5	F20109	Hexagon Nut M6 bk - DIN 985		6
6	D00102	Hexagon Bolt M8x45-8.8 bk - DIN 931		1
7	G00107	Washer Ø8,4 bk - DIN 125		2
8	F00002	Hexagon Nut M8 bk - DIN 985		1
9	D90187	Fillister Head Screw M6x20-10.9 bk - DIN 7380		2
10	G00115	Washer Ø6,4 bk - DIN 125		2
11	1430418-9005	Mounting Bracket for Reflective Sign - RAL 9005 black		1
12	SP1580671	Bracket, Reflective Sign, cpl.		1

Kerb Rider

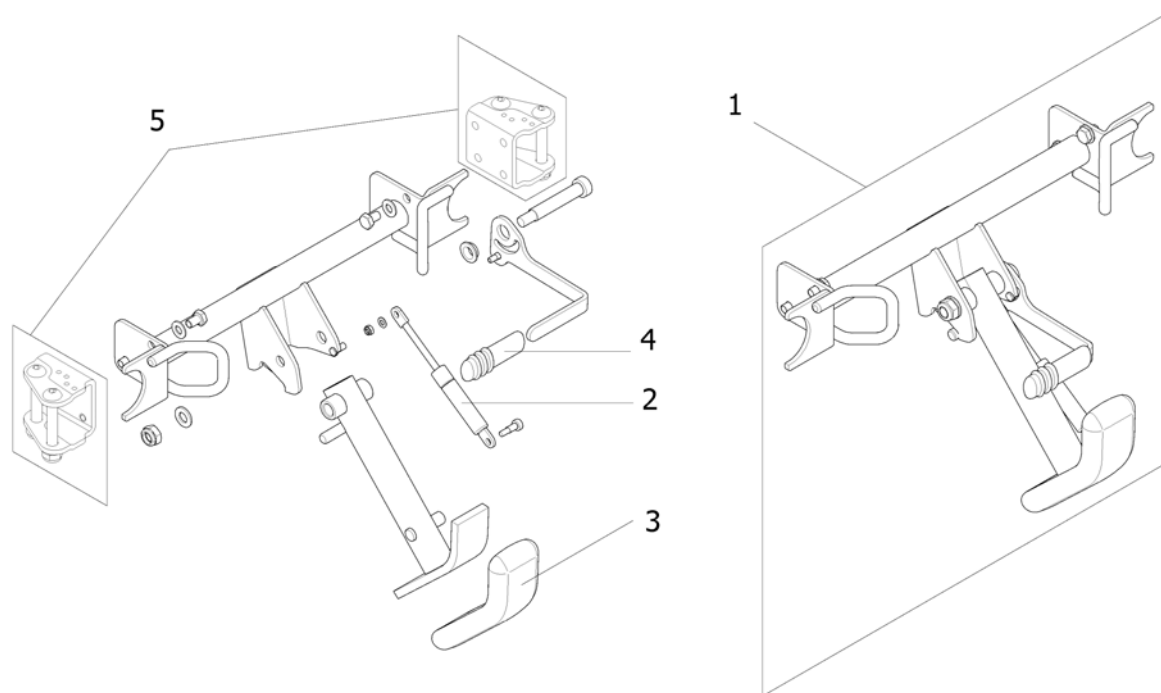
1527146PAC.dwg



Pos.	Part number	Description	Valid from → until	Qty
1	SP1527146	Kerb Rider		1
2	SP1440366	rubber buffer		1
3	SP1528414	Gas Spring		1
4	B11037B	Rubber Foot		1
5	SP1528415	Bearing Plate (pair)		1

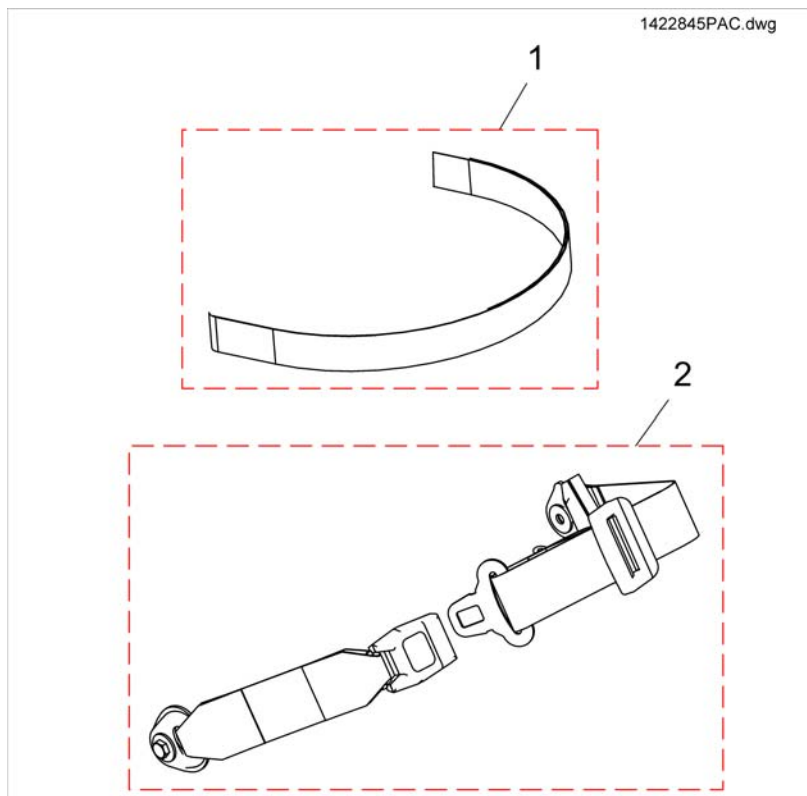
Kerb Rider (with parking position)

1573593.iso



Pos.	Part number	Description	Valid from → until	Qty
1	SP1568291	Kerb Rider (with park position)		1
2	SP1559722	Gas Spring		1
3	B11037B	Rubber Foot		1
4	SP1101725	Cap, Declutching Lever		1
5	SP1528415	Bearing Plate (pair)		1

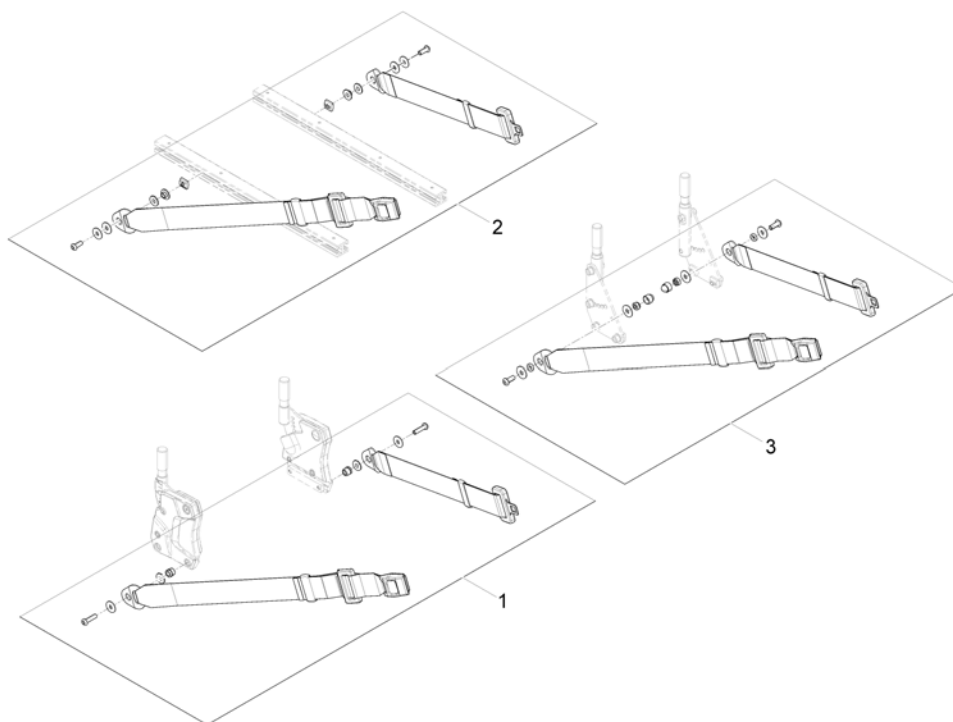
Lap Belt



Pos.	Part number	Description	Valid from → until	Qty
1	1422869	Positioning Strap With Velcro cpl. for Junior-Seat		1
2	1422845	Lap Belt, cpl.		1
-	1551067	Lap Belt Autolock, long <i>Max Seat</i>		1

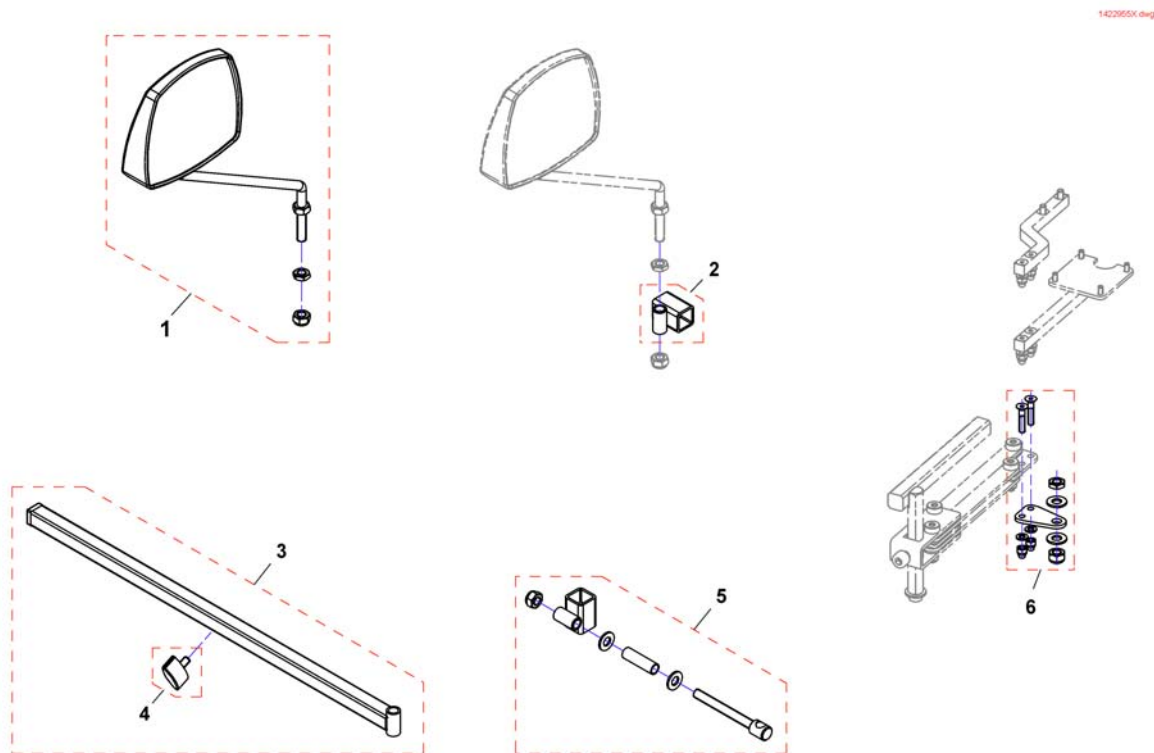
Lap Belts (Modulite)

1571836 iso



Pos.	Part number	Description	Valid from → until	Qty
1	SP1570381	Lap Belt (fix mounting on Backrest Support), cpl.		1
2	SP1571183	Lap Belt (flexible mounting in side rails), cpl.		1
3	1422845	Lap Belt, cpl.		1

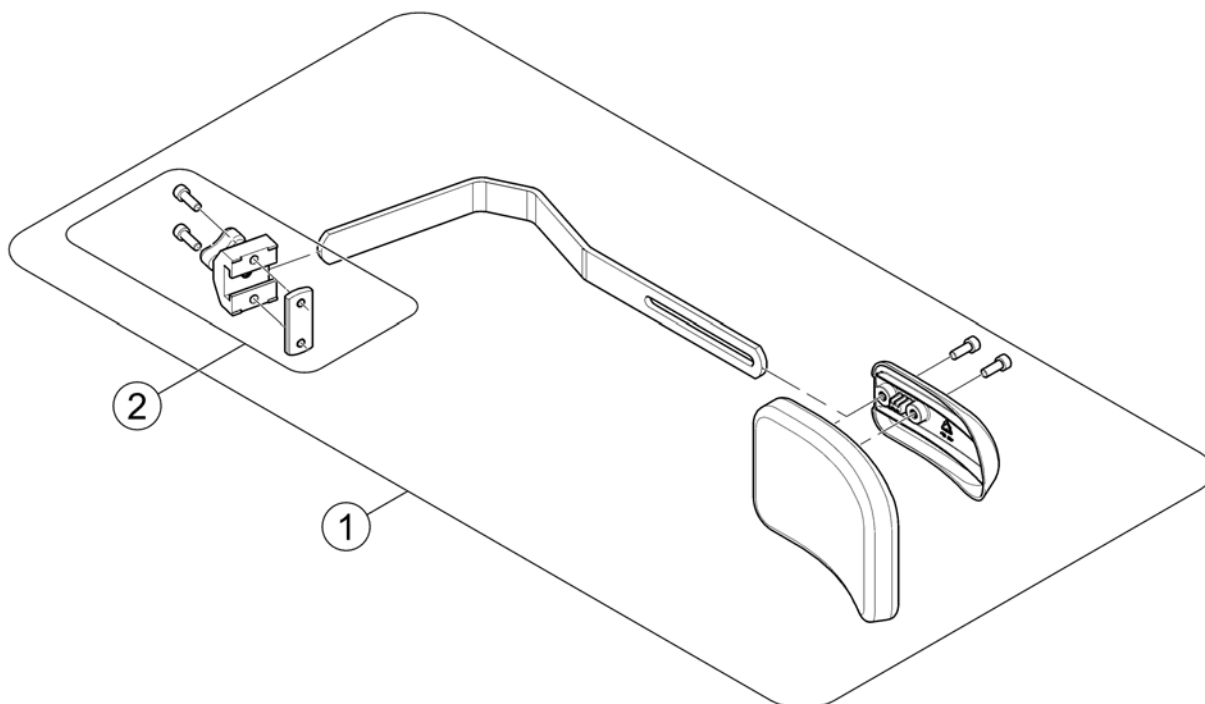
Rearview Mirror



Pos.	Part number	Description	Valid from → until	Qty
1	SP1422955	Rear Mirror		1
2	F276005.00	Mirror bracket		1
3	SP1423435	Rear Mirror Support Rail cpl.		1
4	L31001	Wing ScREW M6X10		1
5	SP1422957	Mirror bracket		1
6	SP1527151	Adapter to mount mirror and remote at the same side		1

Trunk Support - Flex-Seat

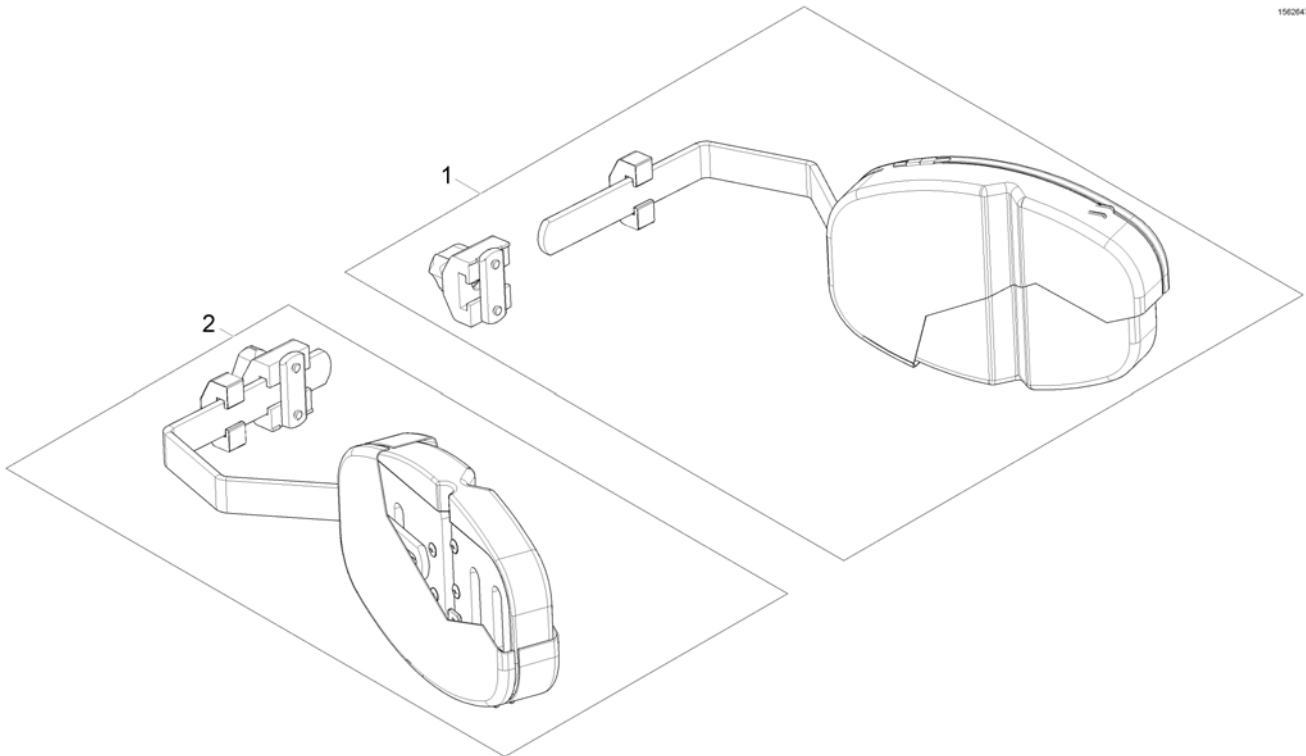
1572155.iso



Pos.	Part number	Description	Valid from → until	Qty
1	SP1561841	Trunk support, cpl.		1
2	5253170	Fixation Part for Pelotte		1

Trunk Support, multi adjustable - Easy Adapt

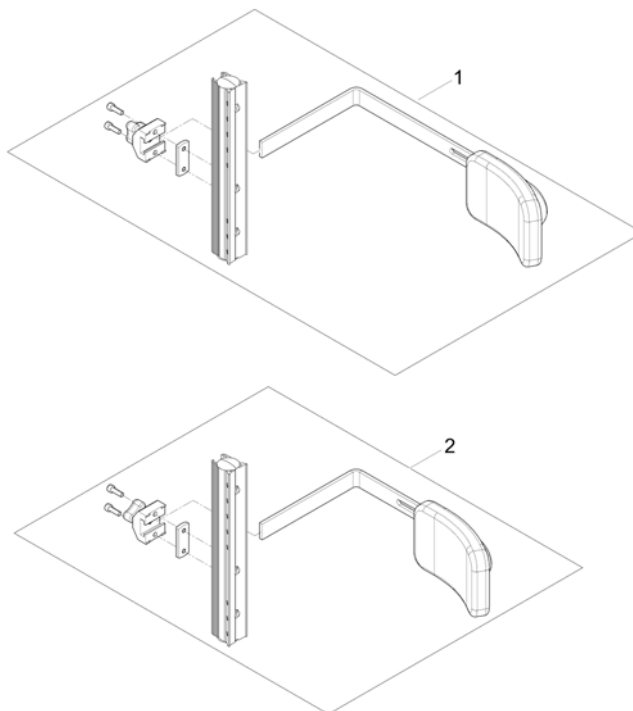
1562647.iss



Pos.	Part number	Description	Valid from → until	Qty
1	1448692	Trunk Support, Multi Adjustable, LH, Dartex Grey, cpl. with Holder		1
2	1448693	Trunk Support, Multi Adjustable, RH, Dartex Grey, cpl. with Holder		1

Trunk support Firm seat

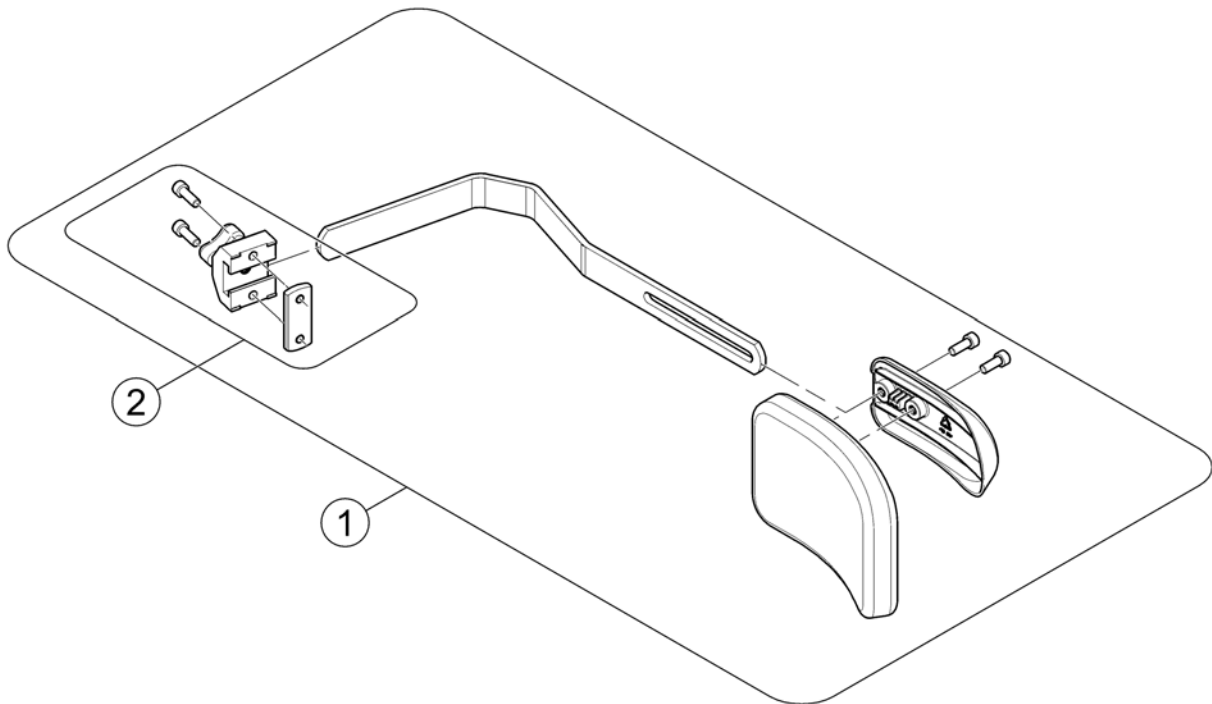
156278.iss



Pos.	Part number	Description	Valid from → until	Qty
1	SP1561819	Trunk support, long, cpl.		1
2	SP1561818	Trunk support, short, cpl.		1

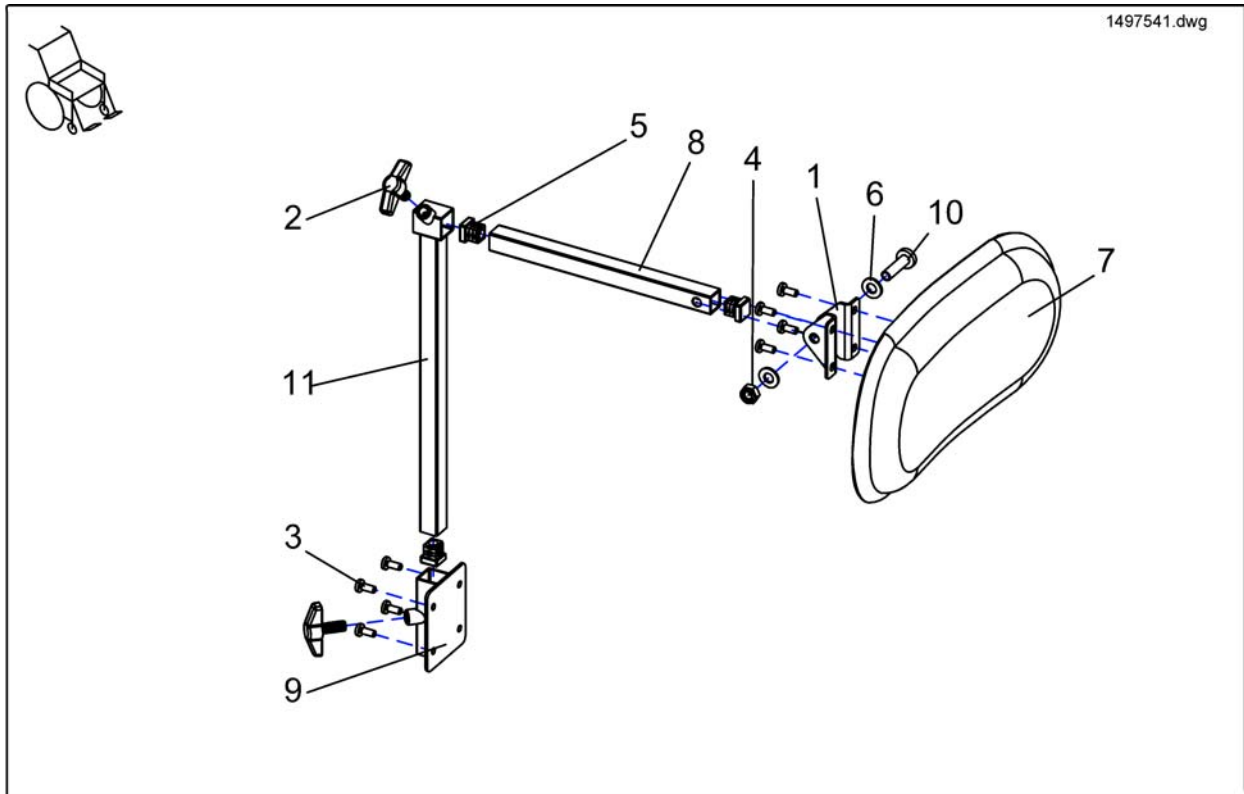
Trunk Support - Modulite

1572155.iso



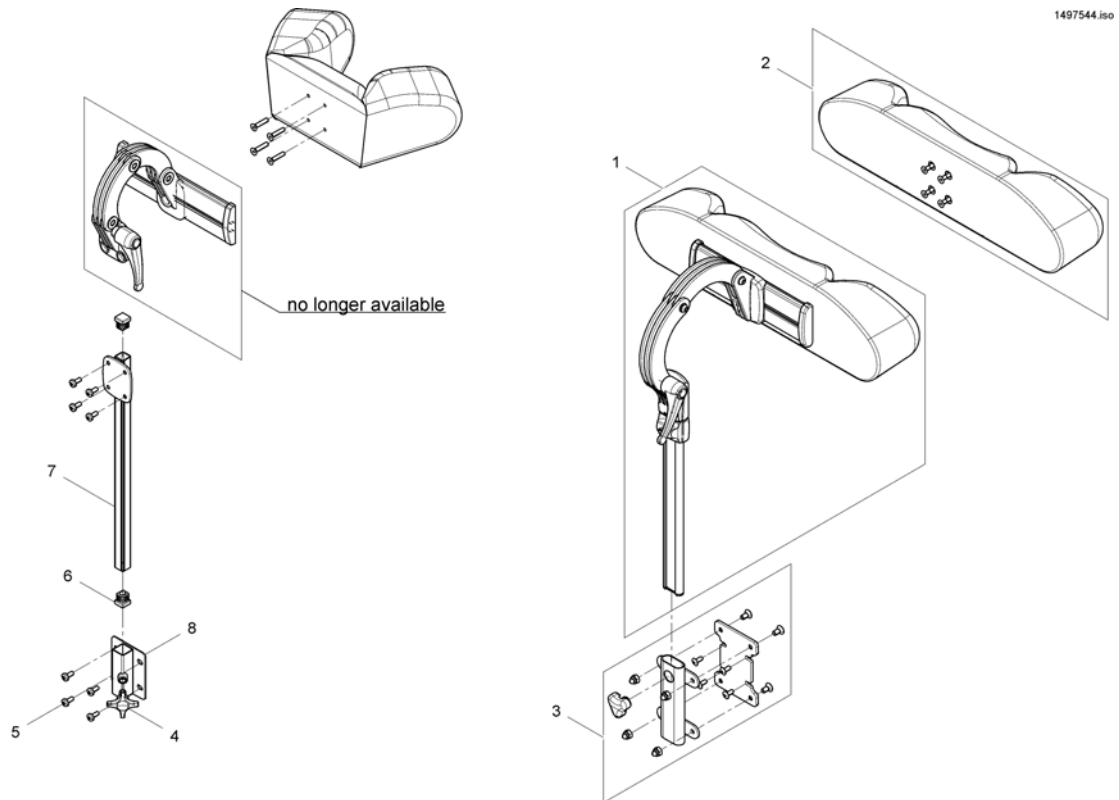
Pos.	Part number	Description	Valid from → until	Qty
1	SP1580394	Trunk Support Modulite, cpl Cushion		1
2	1543574	Locking trunk support		1

Headrest Curve 1, Firm-Seat



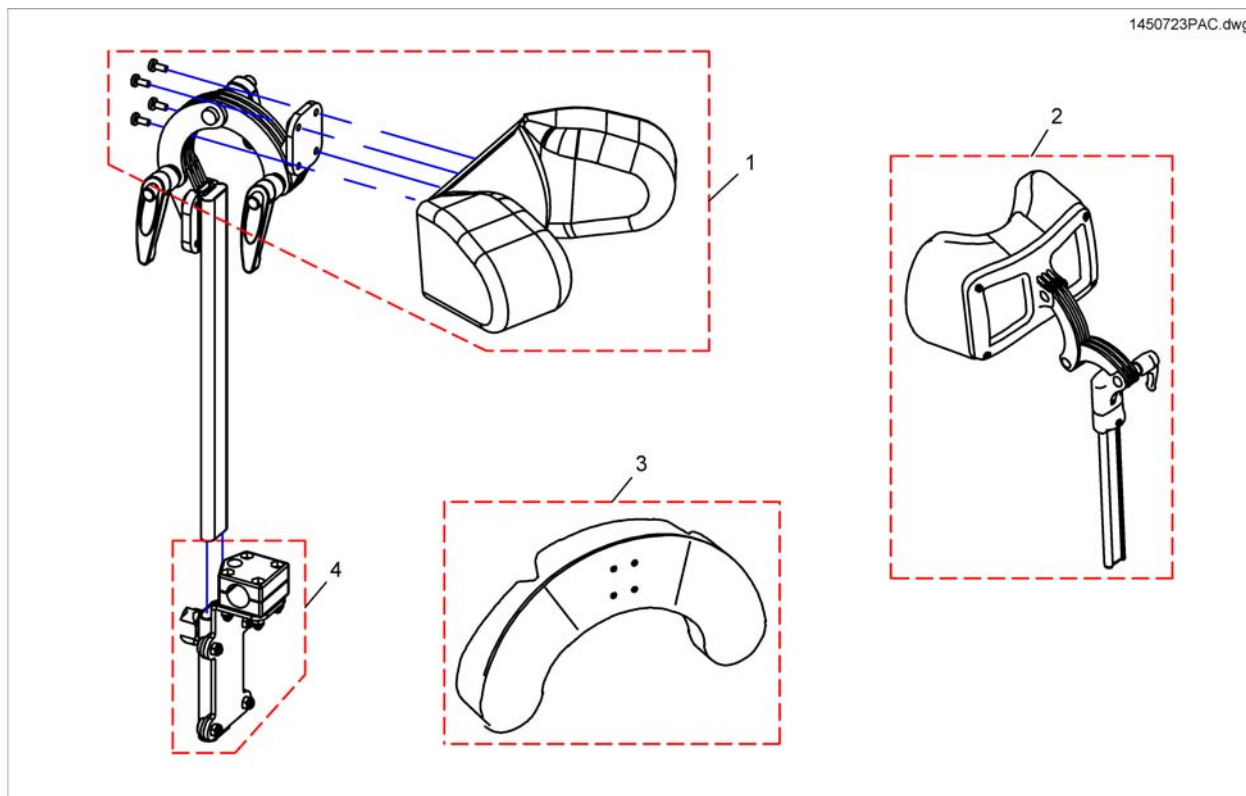
Pos.	Part number	Description	Valid from → until	Qty
1-11	1450781	No description available.		1
1-11	SP1497541	Headrest Curve 1, Jemima, cpl.		1
1-11	SP1497542	Headrest Curve 1, black bird, cpl.		1
1	26002350-9005	Holder		2
2	256099	Wing Screw M8 X 20 639		2
3	D30197	Lens head screw DIN7985-M05x12-4.8 zc		8
4	F20105	Hexagon Nut M8 - DIN985 zc		1
5	L01055	Plug 15x15mm		3
6	G00106	Washer DIN125-A-Ø8,4 zc		2
7	SP26002210BKB	Headrest Curve 1, Black Bird		1
7	26002210BKJ	Headrest Curve 1, Black Jemima		1
8	1422193-9005	Horiz. Tube H/Rest Supp.200mm		1
9	26002351	Tube Headrest		1
10	00007840	Lens head screw DIN7985-M08x30-4.8 zc		1
11	26002348-0205	Tube		1

Headrest sidewise adjustable



Pos.	Part number	Description	Valid from → until	Qty
1	SP1530119	Headrest, sidewise adjustable, cpl. - Dartex TR26		1
2	SP1422865	Headrest cushion contour black, without bracket		1
2	1422866	HEADREST PAD STD./CONTOUR GREY		1
2	SP1522214	HEADREST PAD STD./CONTOUR BLACK PLUSH		1
3	SP1544680	MOUNTING-KIT		1
4	256099	Wing Screw M8 X 20 639		1
5	D30197	Lens head screw DIN7985-M05x12-4.8 zc		1
6	L01055	Plug 15x15mm		1
7	1451639-0205	Headrest REA Angle Adjustment		1
8	26002351	Tube Headrest		1

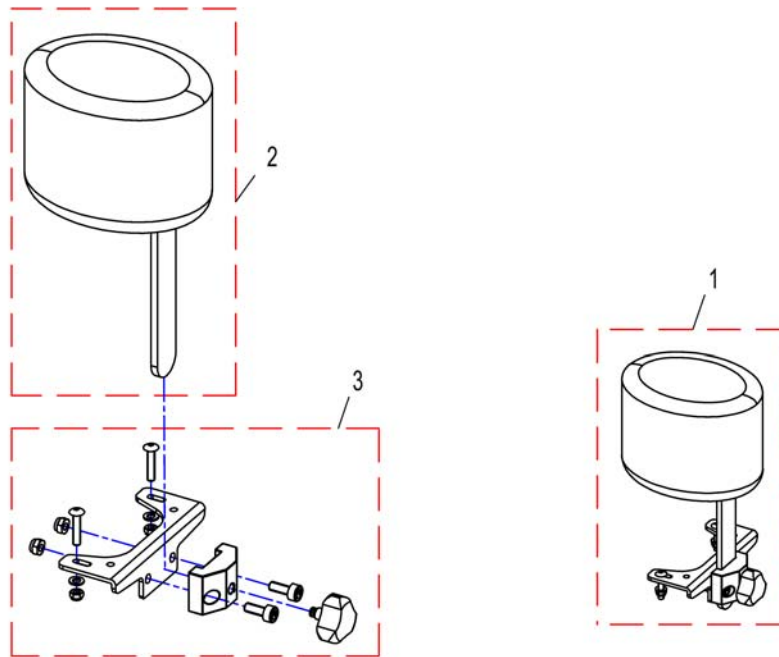
Head- / Neckrest



Pos.	Part number	Description	Valid from → until	Qty
1	1487404	Headrest cushion VCR, cpl.		1
2	SP1527050	Neckrest, depth adjustable		1
3	1444304	Cushion, cheek support		1
4	SP1422914	Head-/Neckrest Bracket, cpl.		1

Abduction Cushion

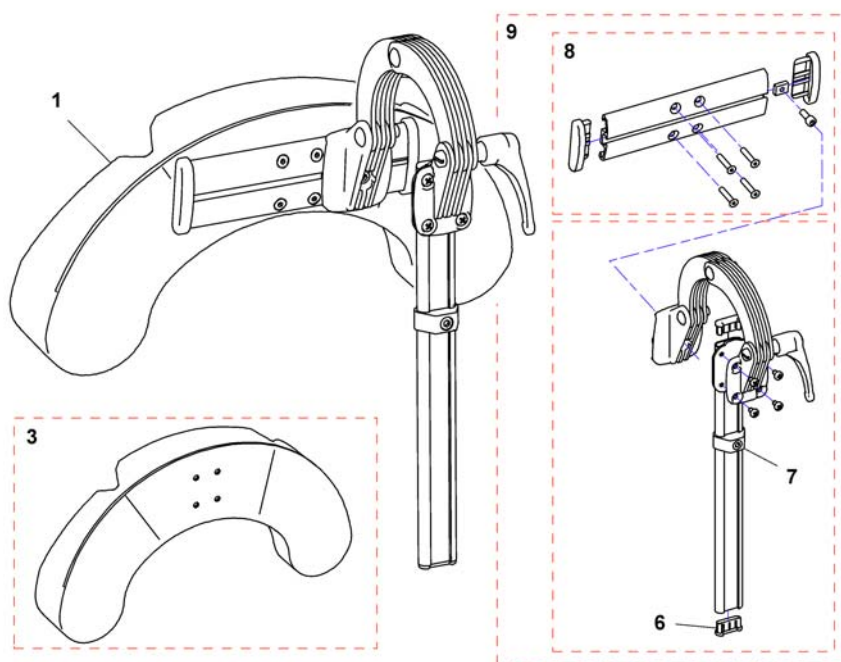
1526960PAC.dwg



Pos.	Part number	Description	Valid from → until	Qty
1	SP1526960	Abduction Cushion. cpl.		1
2	1444172	POMMEL, DARTEX BLACK		1
3	1493099	Holder, cpl.		1

Headrest with cheek support

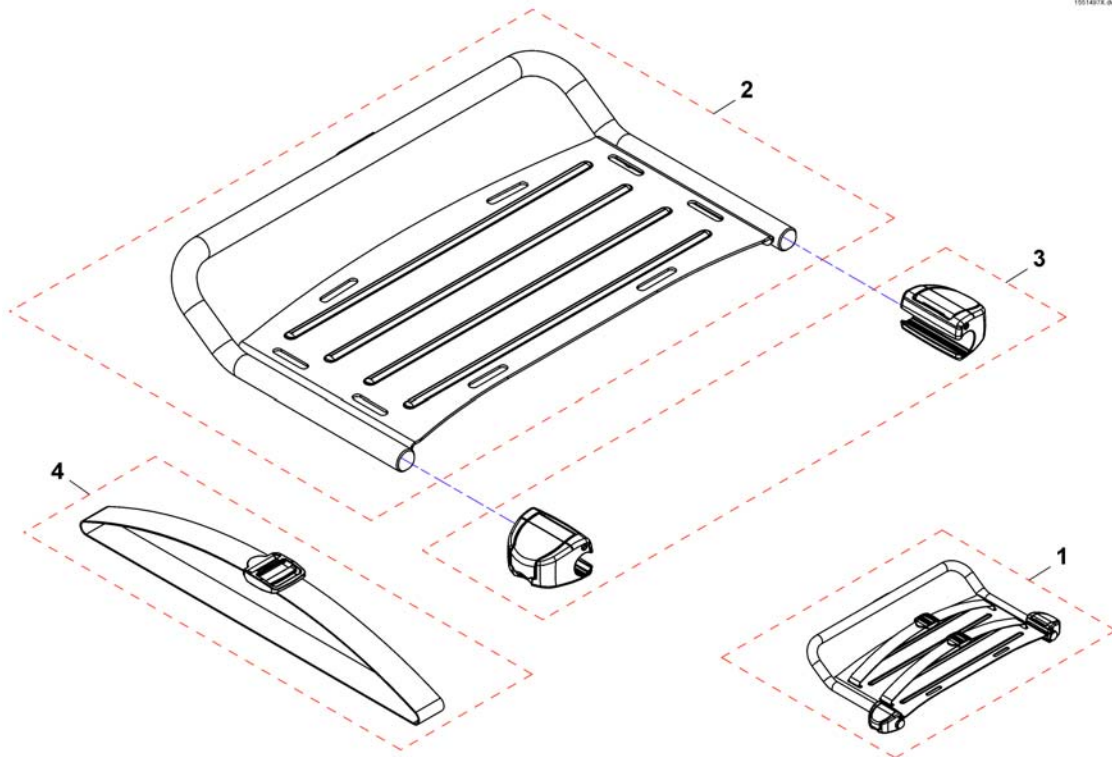
1446560X.dwg



Pos.	Part number	Description	Valid from → until	Qty
1	1446560	HEAD/CHEEK SUPP. TR26 CPL. SIDEWISE ADJUSTABLE		1
1	SP1541658	Head/cheek support TR26 cpl. sidwise adjustable EasyAdapt		1
3	1444304	Cushion, cheek support		1
5	SP1529572	Headrest holder for EasyAdapt		1
6	5716497	Plug IPO "special"		1
7	1448661	stop neck and headrest		1
8	1445838	Rail head support		1
9	1485538	Headrest fixation kit		1

Luggage Rack

1551497X.dwg

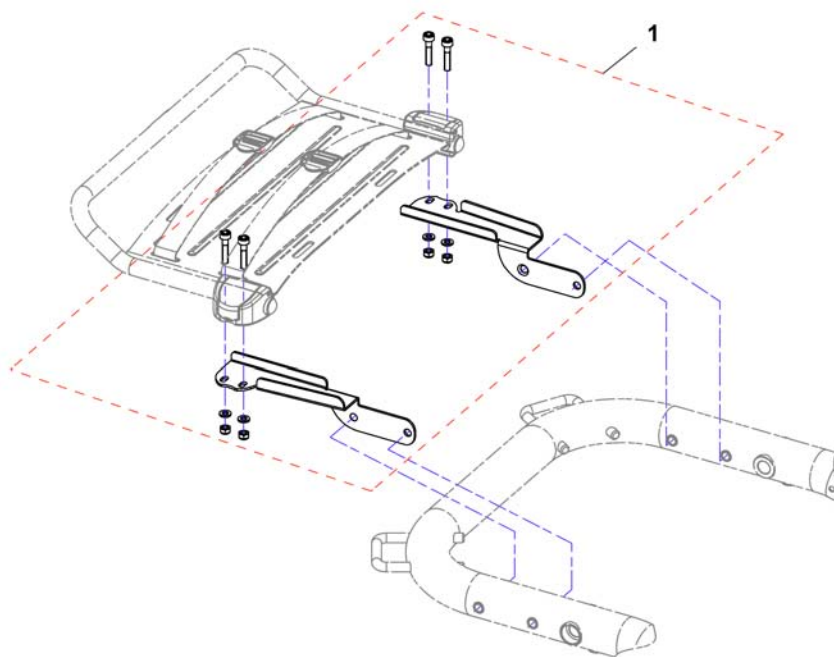


Only for chairs without lights, or with LED lights.

Pos.	Part number	Description	Valid from → until	Qty
1	SP1551619	Luggage rack cpl.		1
2	SP1551497	Luggage rack		1
3	SP1556240	Luggage rack bracket		1
4	F384020	Lashing strap		1

Mounting Kit Luggage Rack

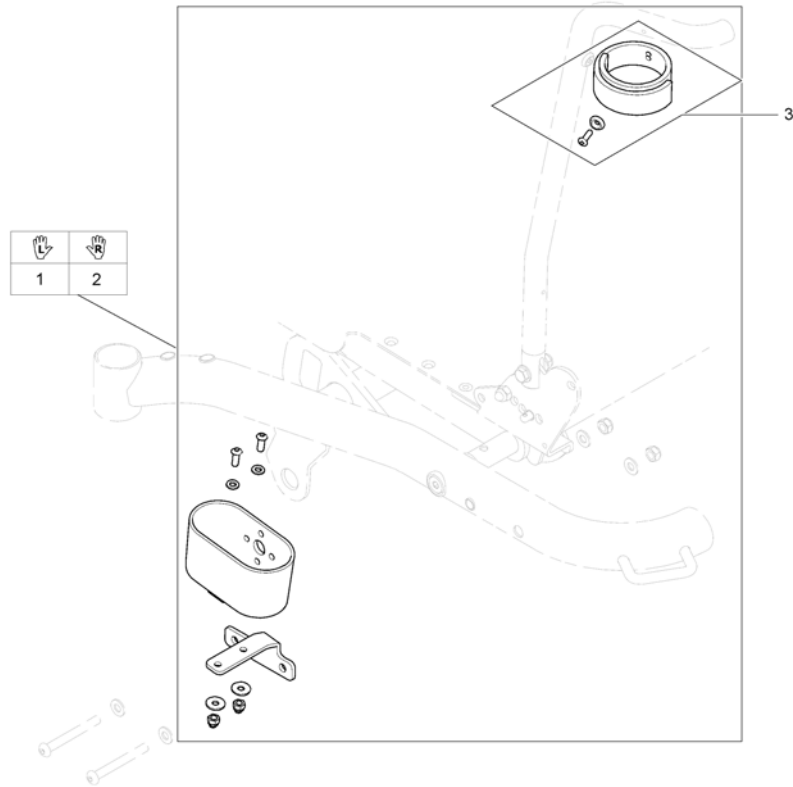
156243X.dwg



Pos.	Part number	Description	Valid from → until	Qty
1	SP1556243	mounting kit luggage rack		1

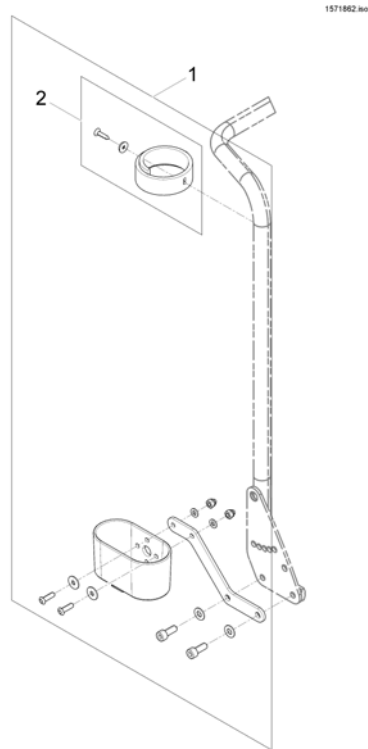
Cane holder (Std., Flex2, Firm, Max Seat)

1567253.iso



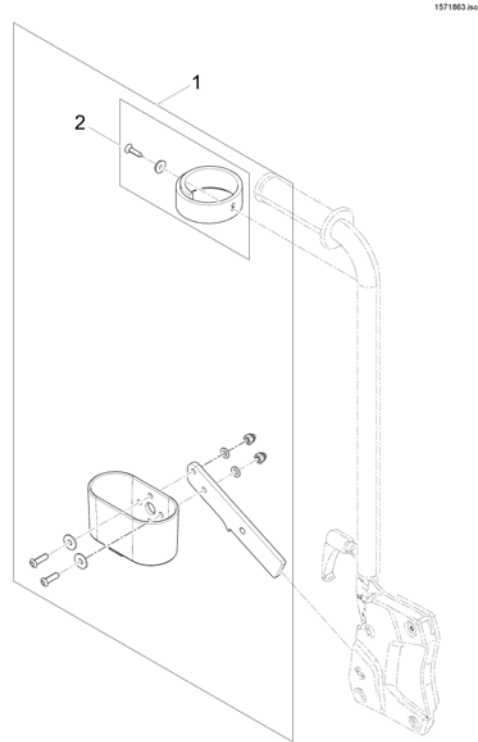
Pos.	Part number	Description	Valid from → until	Qty
1	SP1528488	Cane Holder cpl		1
2	SP1531230	Cane Holder cpl		1
3	SP1420493	Belt for caneholder		1

Cane holder (Modulite: backrest frame)



Pos.	Part number	Description	Valid from → until	Qty
1	SP1570396	Cane holder, standard backrest		1
2	SP1420493	Belt for caneholder		1

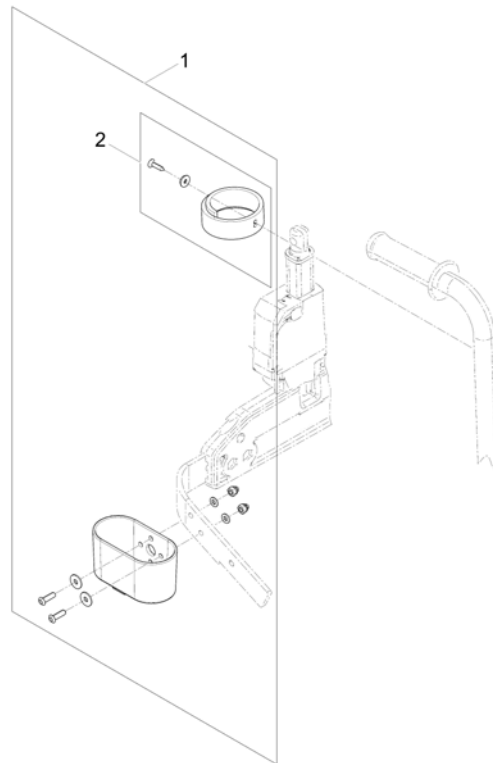
Cane holder (Modulite: back posts man recliner)



Pos.	Part number	Description	Valid from → until	Qty
1	SP1570443	Cane holder, manual backrest		1
2	SP1420493	Belt for caneholder		1

Cane holder (Modulite: back posts pow recliner)

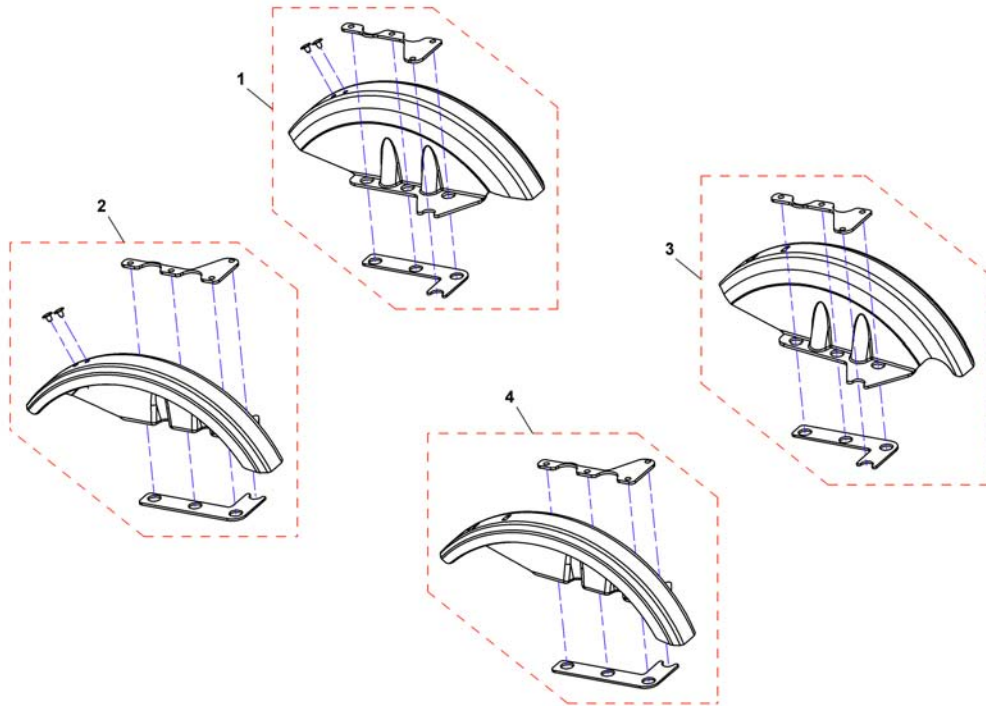
1571837.no



Pos.	Part number	Description	Valid from → until	Qty
1	SP1570382	Cane holder, powered backrest		1
2	SP1420493	Belt for caneholder		1

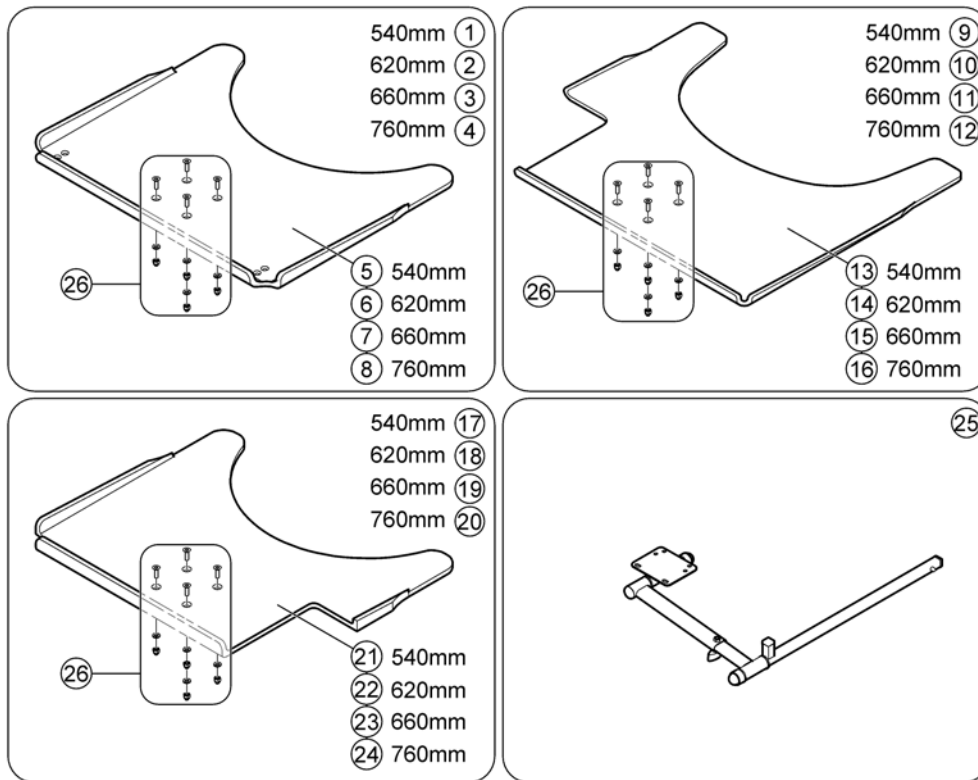
Fender for Drive Wheel

1531238X.dwg



Pos.	Part number	Description	Valid from → until	Qty
1	SP1536858	Mudguard, LH		1
2	SP1536859	Mudguard, RH		1
3	SP1532919	Mudguard, for LED light, LH		1
4	SP1532918	Mudguard, for LED light, RH		1

Trays



1586046.iso

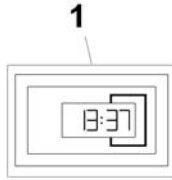
Pos.	Part number	Description	Valid from → until	Qty
1	SP1548198	Swing-Out Tray, 540mm, Seatwidth 330mm to 430mm, no Cutout, cpl. with holder		1
2	SP1548201	Swing-Out Tray, 620mm, Seatwidth 380mm to 480mm, no Cutout, cpl. with holder		1
3	SP1422954	Swing-Out Tray, 660mm, Seatwidth 430mm to 530mm, no Cutout, cpl. with holder		1
4	SP1584644	Swing-Out Tray, 760mm, Seatwidth 480mm to 580mm, no Cutout, cpl. with holder		1
5	SP1535050	Tray table, 540mm, no Cutout		1
6	SP1535010	Tray table, 620mm, no Cutout		1
7	SP1535011	Tray table, 660mm, no Cutout		1
8	SP1586049	Tray table, 760mm, no Cutout		1
9	SP1548138	Swing-Out Tray, 540mm, Seatwidth 330mm to 430mm, Cutout RH, cpl. with holder		1
10	SP1548199	Swing-Out Tray, 620mm, Seatwidth 380mm to 480mm, Cutout RH, cpl. with holder		1
11	SP1422953	Swing-Out Tray, 660mm, Seatwidth 430mm to 530mm, Cutout RH, cpl. with holder		1
12	SP1584663	Swing-Out Tray, 760mm, Seatwidth 480mm to 580mm, Cutout RH, cpl. with holder		1
13	SP1535051	Tray table, 540mm, Cutout RH		1
14	SP1535012	Tray table, 620mm, Cutout RH		1
15	SP1535049	Tray table, 660mm, Cutout RH		1
16	SP1586048	Tray table, 760mm, Cutout RH		1
17	SP1548197	Swing-Out Tray, 540mm, Seatwidth 330mm to 430mm, Cutout LH, cpl. with holder		1
18	SP1548200	Swing-Out Tray, 620mm, Seatwidth 380mm to 480mm, Cutout LH, cpl. with holder		1
19	SP1422952	Swing-Out Tray, 660mm, Seatwidth 430mm to 530mm, Cutout LH, cpl. with holder		1
20	SP1584662	Swing-Out Tray, 760mm, Seatwidth 480mm to 580mm, Cutout LH, cpl. with holder		1
21	SP1535009	Tray table, 540mm, Cutout LH		1
22	SP1534974	Tray table, 620mm, Cutout LH		1

Trays

Pos.	Part number	Description	Valid from → until	Qty
23	SP1534975	Tray table, 660mm, Cutout LH		1
24	SP1586047	Tray table, 760mm, Cutout LH		1
25	SPZ177011	Tray Support Fixing Kit cpl.SW 380/505 mm		1
26	Z177025	Fastening-Kit Tray		1

Hour Counter

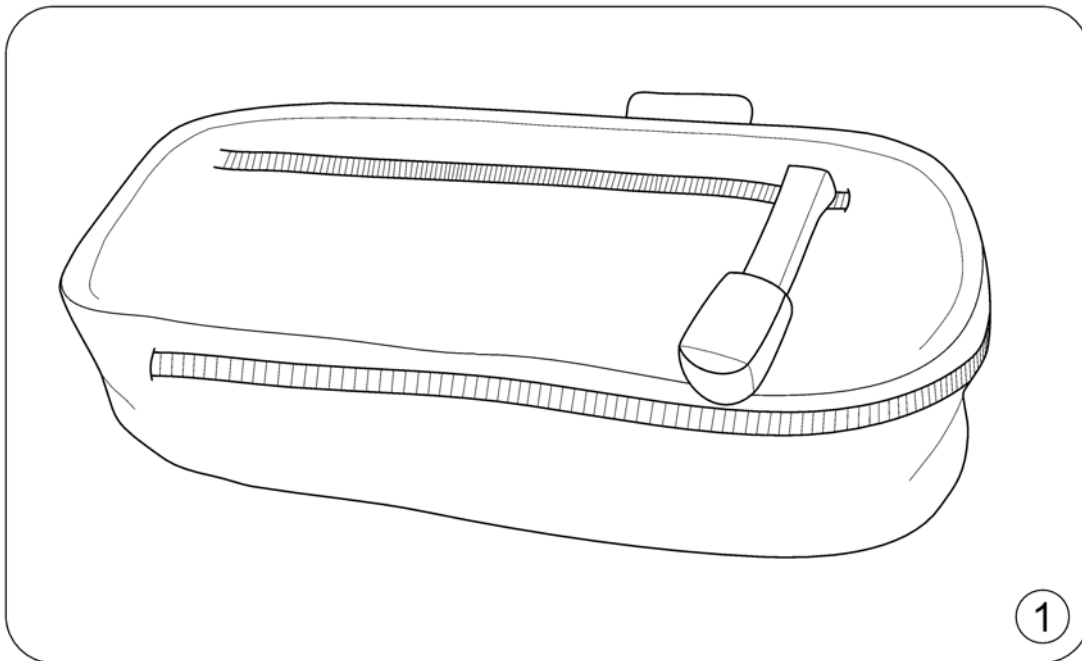
1567259.iso



Pos.	Part number	Description	Valid from → until	Qty
1	SP1530275	Hour counter		1

KLICKfix® bag

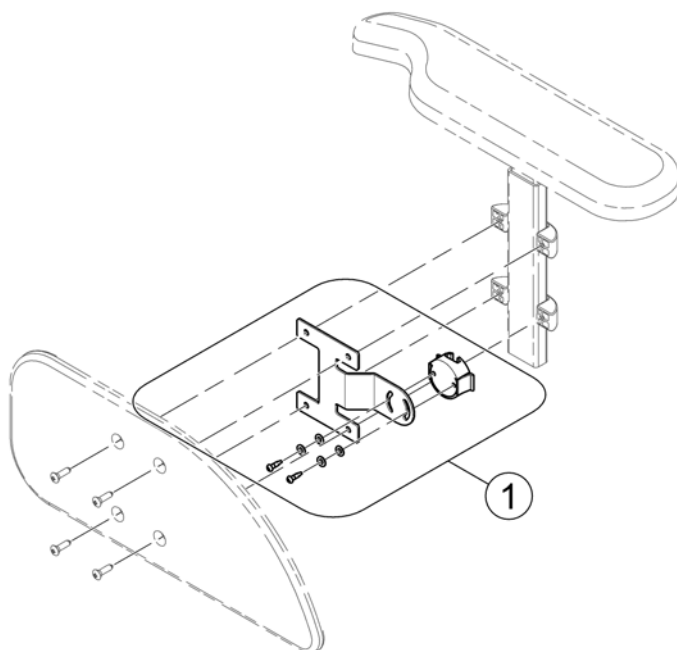
1562500 iso



Pos.	Part number	Description	Valid from → until	Qty
1	SP1557532	KLICKfix® bag		1

KLICKfix® bracket for T-Armrest

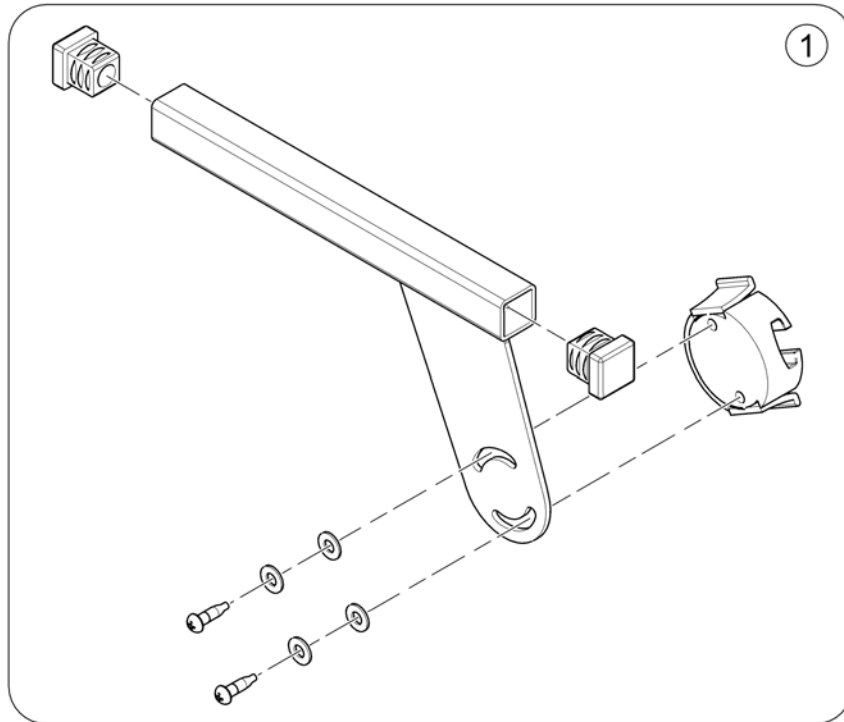
1571871 iso



Pos.	Part number	Description	Valid from → until	Qty
1	SP1571678	KLICKfix® bracket		1

KLICKfix® bracket for Inrigged/Flip-Up/Following Armrest (Modulite)

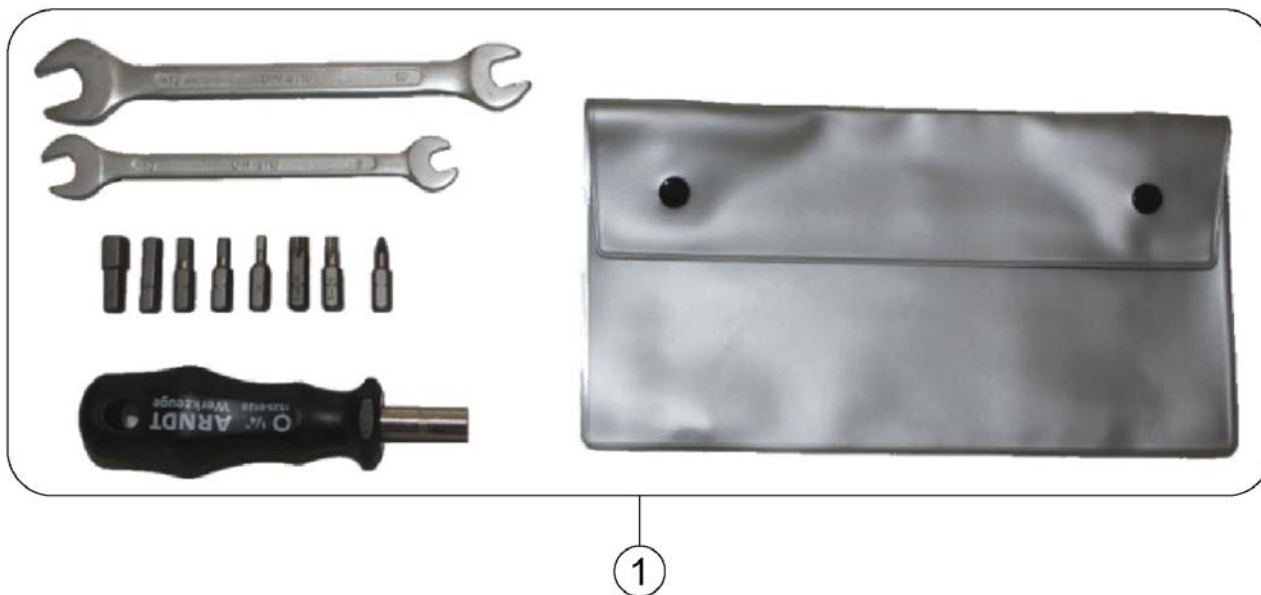
1586167 Rev



Pos.	Part number	Description	Valid from → until	Qty
1	SP1584497	KlickFix Bracket		1

Toolkit

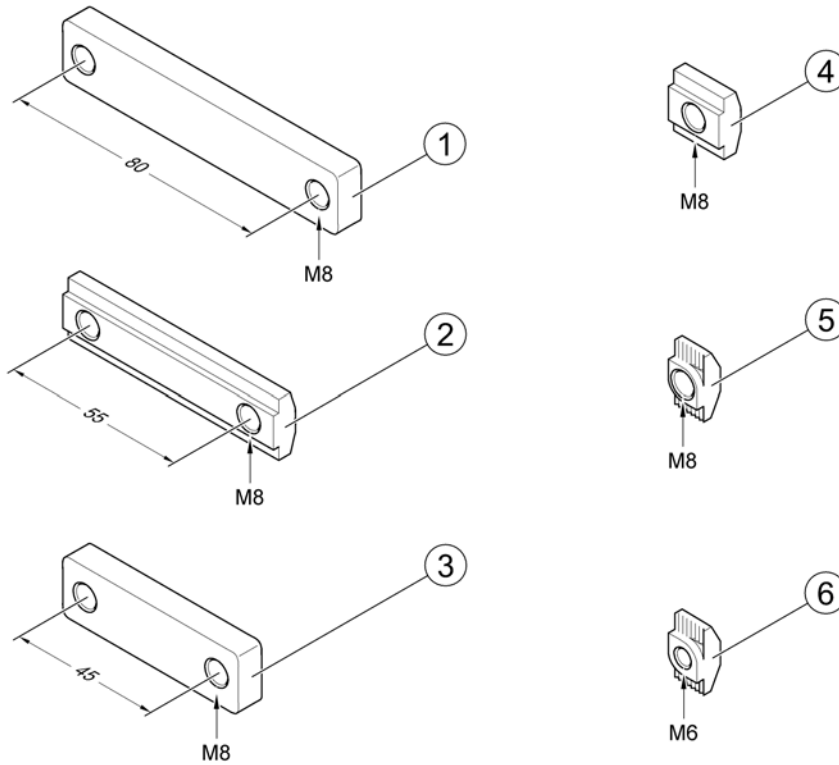
1567260.110



Pos.	Part number	Description	Valid from → until	Qty
1	SP1422868	Toolkit with bag		1

T-Nuts for Accessories Modulite Seat

157-4067 Rev



Pos.	Part number	Description	Valid from → until	Qty
1	SP1556401	T-Nut, hole distance 80mm, 2x M8		1
2	SP1572444	T-Nut, hole distance 55mm, 2x M8		1
3	SP1555168	T-Nut, hole distance 45mm, 2x M8		1
4	SP1557341	T-Nut, 1x M8		1
5	SP1573158	T-Nut, 1x M8		1
6	SP1573721	T-Nut, 1x M6		1



Yes, you can.®



Belgium & Luxemburg:

Invacare nv, Autobaan 22, B-8210 Loppem
Tel: (32) (0)50 83 10 10, Fax: (32) (0)50 83 10 11
belgium@invacare.com / www.invacare.be

Denmark:

Invacare A/S, Sdr. Ringvej 37, DK-2605 Brøndby
Tel: (45) (0)36 90 00 00, Fax: (45) (0)36 90 00 01
denmark@invacare.com / www.invacare.dk

Deutschland:

Invacare Aquatec GmbH, Alemannenstraße 10, D-88316 Isny
Tel: (49) (0)75 62 7 00 0, Fax: (49) (0)75 62 7 00 66
info@invacare-aquatec.com / www.invacare-aquatec.de

European Distributor Organisation:

Invacare, Kleiststraße 49, D-32457 Porta Westfalica
Tel: (49) (0)57 31 754 540, Fax: (49) (0)57 31 754 541
edo@invacare.com / www.invacare.eu.com

España:

Invacare SA, c/Areny s/n, Polígon Industrial de Celrà, E-17460 Celrà (Girona)
Tel: (34) (0)972 49 32 00, Fax: (34) (0)972 49 32 20
contactsp@invacare.com / www.invacare.es

France:

Invacare Poirier SAS, Route de St Roch, F-37230 Fondettes
Tel: (33) (0)2 47 62 64 66, Fax: (33) (0)2 47 42 12 24
contactfr@invacare.com / www.invacare.fr

Ireland:

Invacare Ireland Ltd, Unit 5 Seatown Business Campus, Seatown Road, Swords, County Dublin - Ireland
Tel: (353) 1 810 7084, Fax: (353) 1 810 7085
ireland@invacare.com / www.invacare.ie

Italia:

Invacare Mecc San s.r.l., Via dei Pini 62, I-36016 Thiene (VI)
Tel: (39) 0445 38 00 59, Fax: (39) 0445 38 00 34
italia@invacare.com / www.invacare.it

Nederland:

Invacare BV, Celsiusstraat 46, NL-6716 BZ Ede
Tel: (31) (0)318 695 757, Fax: (31) (0)318 695 758
nederland@invacare.com, csede@invacare.com / www.invacare.nl

Norge:

Invacare AS, Grensesvingen 9, Postboks 6230, Etterstad, N-0603 Oslo
Tel: (47) (0)22 57 95 00, Fax: (47) (0)22 57 95 01
norway@invacare.com, island@invacare.com / www.invacare.no

Österreich:

Invacare Austria GmbH, Herzog Odilostrasse 101, A-5310 Mondsee
Tel: (43) 6232 5535 0, Fax: (43) 6232 5535 4
info-austria@invacare.com / www.invacare.at

Portugal:

Invacare Lda, Rua Estrada Velha, 949, P-4465-784 Leça do Balio
Tel: (351) (0)225 1059 46/47, Fax: (351) (0)225 1057 39
portugal@invacare.com / www.invacare.pt

Sverige & Suomi:

Invacare AB, Fagerstagatan 9, S-163 91 Spånga
Tel: (46) (0)8 761 70 90, Fax: (46) (0)8 761 81 08
sweden@invacare.com, finland@invacare.com / www.invacare.se

Switzerland:

Invacare AG, Benkenstrasse 260, CH-4108 Witterswil
Tel: (41) (0)61 487 70 80, Fax: (41) (0)61 487 70 81
switzerland@invacare.com / www.invacare.ch

United Kingdom:

Invacare Limited, Pencoed Technology Park, Pencoed, Bridgend CF35 5AQ
Switchboard Tel: (44) (0)1656 776200, Fax: (44) (0)1656 776201
Customer services Tel: (44) (0)1656 776222, Fax: (44) (0)1656 776220
uk@invacare.com / www.invacare.co.uk