

*Invacare® Bora® /Spectra® XTR Series  
SERVICE MANUAL*



Edition: 1528338 Vers. 15 - 03.11.2014



These instructions contain information about:

Testing work

Repair Instructions

This manual is part of the instructions for use.

## Service addresses

<b>A</b>	<b>Invacare Austria GmbH</b>	( :	+43 6232 5 53 50
	Herzog Odilostrasse 101	Fax:	+43 6232 5 53 54
	A-5310 Mondsee	@:	info@invacare-austria.com
	<b>Austria</b>	WWW:	www.invacare.at

<b>B</b>	<b>Invacare n.v.</b>	( :	+32 (0)50 83 10 10
	Autobaan 22	Fax:	+32 (0)50 83 10 11
<b>L</b>	B-8210 Loppem (Brugge)	@:	belgium@invacare.com
	<b>Belgium</b>	WWW:	www.invacare.be

<b>CH</b>	<b>Invacare AG</b>	( :	+41 (0)61487 70 80
	Benkenstraße 260	Fax:	+41 (0)61487 70 81
	CH-4108 Witterswil	@:	switzerland@invacare.com
	<b>Switzerland</b>	WWW:	www.invacare.ch

<b>D</b>	<b>Invacare Aquatec GmbH</b>	( :	+49 (0)7562 70 00
	Alemannenstraße 10	Fax:	+49 (0)7562 7 00 66
	88316 Isny	@:	info@invacare-aquatec.com
	<b>Deutschland</b>	WWW:	www.invacare-aquatec.de

<b>DK</b>	<b>Invacare A/S</b>	( (Kundeservice):	+45 (0)36 90 00 00
	Sdr. Ringvej 37	Fax (Kundeservice):	+45 (0)36 90 00 01
	DK-2605 Brøndby	@:	denmark@invacare.com
	<b>Danmark</b>	WWW:	www.invacare.dk

<b>E</b>	<b>Invacare® SA</b>	( :	+34 (0)972 49 32 00
	c/ Areny s/n	Fax:	+34 (0)972 49 32 20
	Polígon Industrial de Celrà	@:	contactsp@invacare.com
	E-17460 Celrà (Girona)	WWW:	www.invacare.es
<b>ESPAÑA</b>			

<b>F</b>	<b>Invacare® Poirier SAS</b>	( :	+33 (0)247 62 64 66
	Route de St Roch	Fax:	+33 (0)247 42 12 24
	F-37230 Fondettes	@:	contactfr@invacare.com
	<b>France</b>	WWW:	www.invacare.fr

<b>GB</b>	<b>Invacare® Ltd</b> Pencoed Technology Park Pencoed Bridgend CF35 5HZ <b>United Kingdom</b>	( (Customer services): +44 (0)1656 77 62 22 Fax (Customer services): +44 (0)1656 77 62 20 @: uk@invacare.com WWW: www.invacare.co.uk
<b>I</b>	<b>Invacare Mecc San s.r.l.</b> Via dei Pini, 62 I - 36016 Thiene (VI) <b>Italia</b>	( : +39 0445 38 00 59 Fax: +39 0445 38 00 34 @: italia@invacare.com WWW: www.invacare.it
<b>IE</b>	<b>Invacare Ireland Ltd.</b> Unit 5 Seatown Business Campus Seatown Rd, Swords County Dublin <b>Ireland</b>	( : +353 18 10 70 84 Fax: +353 18 10 70 85 @: ireland@invacare.com WWW: www.invacare.ie
<b>N</b>	<b>Invacare® AS</b> Grensesvingen 9 Postboks 6230 Etterstad N-0603 Oslo <b>Norge</b>	( (Kundeservice): +47 (0)22 57 95 00 Fax (Kundeservice): +47 (0)22 57 95 01 @: norway@invacare.com @: island@invacare.com WWW: www.invacare.no
<b>NL</b>	<b>Invacare® B.V.</b> Celsiusstraat 46 NL-6716 BZ Ede <b>Nederland</b>	( : +31 (0)318 69 57 57 Fax: +31 (0)318 69 57 58 @: nederland@invacare.com @: csede@invacare.com WWW: www.invacare.nl
<b>P</b>	<b>Invacare Lda</b> Rua Estrada Velha, 949 P-4465-784 Leça do Balio <b>Portugal</b>	( : +351 225 10 59 46 ( : +351 225 10 59 47 Fax: +351 225 10 57 39 @: portugal@invacare.com WWW: www.invacare.pt

<b>S</b>	<b>Återförsäljare:</b>	( (Kundtjänst):	+46 (0)8 761 70 90
	<b>Invacare® AB</b>	Fax (Kundtjänst):	+46 (0)8 761 81 08
<b>FIN</b>	Fagerstagatan 9	@:	sweden@invacare.com
	S-163 91 Spånga	@:	finland@invacare.com
	<b>Sverige</b>	WWW:	www.invacare.se

<b>Tillverkare:</b>	<b>MÖLNDAL</b>	
<b>Invacare® Deutschland GmbH</b>	( :	+46 (0)31 86 36 00
Kleiststraße 49	Fax:	+46 (0)31 86 36 06
D-32457 Porta Westfalica	@:	ginvacare@invacare.com
<b>Deutschland</b>		

<b>LANDSKRONA</b>	
( :	+46 (0)418 2 85 40
Fax:	+46 (0)418 1 80 89
@:	linvacare@invacare.com

<b>OSKARSHAMN</b>	
( :	+46 (0)491 1 01 40
Fax:	+46 (0)491 1 01 80
@:	oinvacare@invacare.com

<b>Eastern european countries</b>	<b>European Distributor Organisation (EDO)</b>	(	+49 (0)5731 75 45 40
	Kleiststraße 49	Fax	+49 (0)5731 75 45 41
	D-32457 Porta Westfalica	@:	edo@invacare.com
	<b>Deutschland</b>	WWW:	www.invacare.de

## Contents

Chapter		Page
<b>1</b>	<b>Introduction</b>	<b>9</b>
1.1	General information .....	9
1.2	Notes on transport .....	9
1.3	Definition and representation of information and safety information in this manual .....	10
1.4	Hazard symbols and symbols used .....	11
1.5	Images in this manual .....	12
<b>2</b>	<b>Safety and fitting instructions</b>	<b>13</b>
2.1	Before any inspection or repair work .....	13
2.2	Personal safety equipment .....	13
2.3	General safety information and information about fitting / removal .....	13
<b>3</b>	<b>Tightening torques</b>	<b>16</b>
<b>4</b>	<b>Layout of components and componentry</b>	<b>17</b>
4.1	Overview .....	17
4.1.1	Wheelchair without lifter .....	17
4.1.2	Wheelchair with lifter .....	19
4.2	Electronics modules .....	21
4.2.1	ACS1 60A electronics module .....	23
4.2.2	ACS2 PMB70 / ACS2 PMB70L electronics module .....	23
4.2.3	ACS2 PMA90LG electronics module .....	23
4.2.4	VR2 electronics module .....	23
4.2.5	R-Net electronics module .....	24
4.2.6	Shark electronics module .....	24
4.2.6.1	Shark with 4-pole DCI .....	24
4.2.6.2	Shark with DCI 12-pole .....	24
4.2.7	ACT actuator module .....	24
4.2.7.1	ACT 2 actuator module .....	25
4.2.7.2	ACT 4 actuator module .....	25
4.2.8	R-NET ISM lighting and actuator module .....	25
4.2.9	Lighting PCB .....	26
<b>5</b>	<b>Maintenance plan (1x annually)</b>	<b>27</b>

<b>6</b>	<b>Operational faults</b>	<b>29</b>
6.1	Drive fault diagnosis .....	29
6.2	REM24 remote: Error codes and diagnostic codes .....	31
6.3	VR2 remote: Error codes and diagnostic codes .....	33
6.4	Shark 2 remote Error codes and diagnostic codes .....	35
6.5	R-NET remote: Error codes and diagnostic codes .....	36
<b>7</b>	<b>Repair work</b>	<b>38</b>
7.1	General warning information about fitting work .....	38
7.2	Replacing drive components .....	38
7.2.1	Replacing the complete drive unit .....	40
7.2.2	Replacing the motor .....	41
7.2.3	Replacing the jaw clutch .....	42
7.2.4	Replace carbon brushes .....	43
7.2.5	Replacing the motor / gearbox unit (SSD motor) .....	44
7.2.6	Replacing or rotating the motor / gearbox unit sealing ring .....	46
7.2.7	Replacing the motor / gearbox coupling (SSD motor) .....	47
7.2.8	Replacing the carbon brushes (SSD motor) .....	49
7.2.9	Replacing the drive wheel hub (SSD motor) .....	51
7.2.10	Fitting the clutch rotary knob (SSD motor) .....	53
7.3	Replacing the electronics .....	54
7.4	Replacing the G-Trac sensor .....	56
7.5	Operating hours counter .....	58
7.5.1	Replacing the operating hours counter .....	58
7.5.2	Replacing the connecting cable of the operating hours counter .....	60
7.6	Updating software .....	62
7.7	Replacing batteries .....	63
7.7.1	Removing the battery cases .....	64
7.7.2	Removing the batteries .....	66
7.7.3	Correct handling of damaged batteries .....	70
7.8	Checking and replacing the main fuse .....	71
7.9	Checking the cable .....	73
7.10	Differences when replacing the REM24 remote .....	75
7.11	Lighting unit .....	76
7.11.1	Replacing front headlight completely (LED lighting unit) .....	76
7.11.2	Replacing the front bulb holder (LED lighting unit) .....	77
7.11.3	Replacing the rear light completely (LED lighting unit) .....	78
7.11.4	Replacing the complete tail light assembly (conventional lighting system) .....	79
7.11.5	Replacing the tail light bracket (conventional lighting system) .....	80

<b>7.12</b>	<b>Anti-tipping mechanism.....</b>	<b>81</b>
7.12.1	Replacing the anti-tipping mechanism with screw.....	81
7.12.2	Replacing the anti-tipping mechanism with locking spring.....	82
7.12.3	Replacing a defective locking spring.....	83
<b>7.13</b>	<b>Replacing the steering head bearings on the steering wheels.....</b>	<b>84</b>
<b>7.14</b>	<b>Repairing punctures.....</b>	<b>87</b>
7.14.1	Repairing the rear tyre (wheel size 3.00-8").....	87
7.14.2	Repairing a flat tyre (wheel size 280/250-4).....	89
<b>7.15</b>	<b>Replacing a drive wheel.....</b>	<b>91</b>
<b>7.16</b>	<b>Replacing the splash guard.....</b>	<b>93</b>
<b>7.17</b>	<b>Seat system.....</b>	<b>95</b>
7.17.1	Checking an adjusting motor.....	95
7.17.2	Replacing the seat tilting (wheelchair without lifter).....	96
7.17.3	Replacing the lifter.....	98
<b>7.18</b>	<b>Backrest unit.....</b>	<b>100</b>
7.18.1	Replacing the standard backrest.....	100
7.18.2	Adjusting backrest former.....	101
<b>7.19</b>	<b>Seat system Modulite.....</b>	<b>102</b>
7.19.1	Replacing the tilt actuator.....	102
7.19.2	Replacing the lifter actuator.....	103
7.19.3	Replacing the lifter / seat angle adjustment module.....	104
7.19.4	Replacing the angle sensor.....	107
7.19.5	Replacing the backrest actuator.....	108
7.19.6	Backrest actuator - Removing the adapter.....	109
<b>7.20</b>	<b>Backrest Modulite.....</b>	<b>110</b>
7.20.1	Replacing the standard backrest.....	110
7.20.2	Replacing the backrest mounting bracket.....	111
7.20.3	Replacing the backrest mounting bracket for SB 53.....	112
<b>7.21</b>	<b>Adjusting the seat width/ backrest width (Modulite).....</b>	<b>113</b>
7.21.1	Adjusting the seat width.....	113
7.21.2	Adjusting the backrest width.....	115
7.21.3	Adjusting the Flex3 backrest.....	117

## **8 Installing accessories 118**

<b>8.1</b>	<b>Replacing the holding strap.....</b>	<b>118</b>
8.1.1	Standard seat & Flex2.....	118
8.1.2	Fixed seat unit.....	119
<b>8.2</b>	<b>Replacing seat belts (Modulite seat).....</b>	<b>120</b>
8.2.1	Installation on the backrest mounting bracket (simple backrest).....	120
8.2.2	Installation on the backrest mounting bracket (adjustable seat).....	121

8.2.3	Installation on the seat frame profile (adjustable seat) .....	122
<b>8.3</b>	<b>Luggage carrier .....</b>	<b>123</b>
<b>8.4</b>	<b>Further accessories .....</b>	<b>124</b>
<b>9</b>	<b>Adjusting the seating position .....</b>	<b>125</b>
<b>9.1</b>	<b>Adjusting the lower leg length and seat depth.....</b>	<b>126</b>
9.1.1	Adjusting the lower leg length.....	126
9.1.2	Adjusting the seat depth .....	126
<b>9.2</b>	<b>Adjusting the center of gravity of the seat .....</b>	<b>128</b>
9.2.1	Standard seat .....	130
9.2.2	Flex2 seat .....	132
9.2.3	Modulite seat .....	133
9.2.3.1	Adjustable seats .....	135
9.2.3.2	Simple seat .....	136
9.2.3.3	Screw on position of the seat frame .....	137
9.2.3.4	Seat depth setting facilities.....	139
<b>9.3</b>	<b>Check the tipping stability.....</b>	<b>141</b>



# 1 Introduction

## 1.1 General information

- Service and maintenance work must be carried out taking this service manual into account.
- It is imperative that you observe safety information.
- Information about operation or about general maintenance and care work on the mobility device should be taken from the operating manual.
- You can find information about ordering spare parts in the spare parts catalogue.
- Only use original Invacare® spare parts. The guarantee will become invalid if other spare parts are used!
- We reserve the right to make any alterations on the grounds of technical improvements.
- The mobility device may only be maintained and overhauled by qualified personnel.
- The minimum requirement for service technicians is suitable training, such as in the cycle or orthopaedic mechanics fields, or sufficiently long-term job experience.
  - Experience in the use of electrical measuring equipment (multimeters) is also a requirement.
  - Special Invacare training is recommended.
- Alterations to the mobility device which occur as a result of incorrectly or improperly executed maintenance or overhaul work lead to the exclusion of all liability on the side of INVACARE.
- If you have any problems or questions please contact Invacare Service.

## 1.2 Notes on transport

- If the mobility device has to be shipped back to the manufacturer for major repairs, you should always use the original packaging for transport.
- You must include a precise fault description.

### 1.3 Definition and representation of information and safety information in this manual

Different types of information and signal words are used throughout this manual.



#### **HAZARD!**

The signal word "HAZARD!" refers to immediate hazards.

- *The following lines in italics refer to actions which serve to avoid such hazards.*
- 



#### **WARNING!**

The signal word "WARNING!" refers to possibly-occurring hazards which can lead to death or serious injuries if they are not avoided.

- *The following lines in italics refer to actions which serve to avoid such hazards.*
- 



#### **ATTENTION!**

The signal word "ATTENTION!" refers to possibly-occurring hazards which can lead to minor injuries and/or material damage if they are not avoided.

- *The following lines in italics refer to actions which serve to avoid such hazards.*
- 



#### **CAUTION!**

The signal word "CAUTION!" refers to hazards which could lead to material damage if they are not avoided.

- *The following lines in italics refer to actions which serve to avoid such hazards.*
- 



#### **Note**

The signal word "Note" is used to denote general information which simplifies the handling of your product and refers to special functions.

---

## 1.4 Hazard symbols and symbols used

Different types of hazard symbols and symbols are used throughout this manual.



### General hazards

This symbol warns you of general hazards!

- *Always follow the instructions to avoid injury to the user or damage to the product!*
- 



### BURN HAZARD!

This symbol warns you of the danger of chemical burns, for example due to the discharge of battery acids!

- *Always follow the instructions to avoid injury to the user or damage to the product!*
- 



### DANGER OF CRUSHING!

This symbol warns you of crushing hazards due to inattentive working with heavy components.

- *Always follow the instructions to avoid injury to the user or damage to the product!*
- 



### EXPLOSION HAZARD!

This symbol warns you of an explosion hazard, which can be caused by excessive tyre pressure in a pneumatic tyre.

- *Always follow the instructions to avoid injury to the user or damage to the product!*
- 



### Wear safety shoes

The symbol refers to the requirement for wearing safety shoes.

- *Wear standardised safety shoes during all work.*
- 



### Wear eye protection

This symbol refers to the requirement for wearing eye protection, for example when working with batteries.

- *Wear eye protection when this symbol is shown.*
- 



### Wear safety gloves

This symbol refers to the requirement for wearing safety gloves, for example when working with batteries.

- *Wear safety gloves when this symbol is shown.*
- 



### Note

This symbol identifies general information which is intended to simplify working with your product and which refers to special functions.

---



---

**Requirements:**

- This symbol identifies a list of various tools, components and items which you will need in order to carry out certain work. Please do not attempt to carry out the work if you do not have the listed tools available.
- 



---

**Always dispose used or damaged batteries correctly**

The symbol refers to information for the correct disposal of used or damaged batteries.

---

## 1.5 Images in this manual

The detailed images in this manual are given digits to identify various components. Component numbers in text and operational instructions always relate to the image directly above.

## 2 Safety and fitting instructions

These safety instructions are intended as prevention of accidents at work and it is imperative that they are observed.

### 2.1 Before any inspection or repair work

- Read and observe this repair manual and the associated operating manual!
- Observe the minimum requirements for carrying out the work (see chapter entitled "General information").

### 2.2 Personal safety equipment



#### Safety shoes

**The mobility device, and some of its components, are very heavy. These parts can result in injuries to the feet if they are allowed to drop.**

- *Wear standardised safety shoes during all work.*



#### Eye protection

**It is possible that battery acid can be discharged when working on defective batteries or when handling batteries improperly.**

- *Always wear eye protection when working on any defective or possibly defective batteries.*



#### Safety gloves

**It is possible that battery acid can be discharged when working on defective batteries or when handling batteries improperly.**

- *Always wear acid-proof safety gloves when working on any defective or possibly defective batteries.*

### 2.3 General safety information and information about fitting / removal



#### WARNING: Danger of crushing!

**Various components such as the drive unit, batteries, seat etc are very heavy. This results in injury hazards to your hands!**

- *Please note the high weight of some components! This applies especially to the removal of drive units, batteries and the seat.*



#### WARNING!

**Injury hazard if the vehicle starts moving unintentionally during repair work!**

- *Switch the power supply off (ON/OFF key)!*
- *Engage the drive!*
- *Before raising the vehicle, secure the wheels by blocking them with wedges!*

**ATTENTION!****Fire and burn hazard due to electrical short-circuit!**

- *The mobility device must be completely switched off before removal of voltage-carrying components! To do this, remove the batteries.*
- *Avoid short-circuiting the contacts when carrying out measurements on voltage-carrying components!*

**CAUTION!****Danger of burns from hot surfaces on the motor!**

- *Allow the motors to cool down before commencing work on them.*

**ATTENTION!****Injury hazard and danger of damage to vehicle due to improper or incomplete maintenance work!**

- *Use only undamaged tools in good condition.*
- *Some moving parts are mounted in sockets with PTFE coating (Teflon™). Never grease these sockets!*
- *Never use "normal" nuts instead of self-locking nuts.*
- *Always use correctly-dimensioned washers and spacers*
- *When reassembling, always replace any cable ties which were cut during dismantling.*
- *After completing your work / before renewed start-up of the mobility device, check all connections for tight fitting.*
- *After completing your work / before renewed start-up of the mobility device, check all parts for correct locking.*
- *Only operate the vehicle with the approved tyre pressures (see technical data).*
- *Check all electrical components for correct function. Please note that incorrect polarity can result in damage to the electronics.*
- *Always carry out a trial run at the end of your work.*

**CAUTION!****Danger of injury and damage to property, if the maximum speed reduction on a wheelchair with a lifter does not function correctly!**

*The wheelchair's control unit must reduce the maximum possible speed as soon as the lifter is raised.*

- *Test the maximum speed reduction for correct function after any maintenance work or modifications to the wheelchair.*

**ATTENTION!****Danger of injury due to improper retrofitting of electric adjustment options.**

*Retrofitting electric adjustment options is a fundamental change to the configuration and can have a negative impact on the driving characteristics and tipping stability of the electric wheelchair.*

- *Retrofitting may only be performed by trained Invacare® dealers.*

**Note**

Mark all current settings for the mobility device (seat, armrests, backrest etc.), and the associated cable connecting plugs, before dismantling. This makes reassembly easier. All plugs are fitted with mechanical safety devices which prevent release of the connecting plugs during operation. To release the connecting plugs the safety devices must be pressed in. When reassembling ensure that these safety devices are correctly engaged.

---

**WARNING!**

**Any changes to the drive program can affect the driving characteristics and the tipping stability of the vehicle!**

- *Changes to the drive program may only be carried out by trained Invacare® specialist dealers!*
  - *Invacare® supplies all mobility devices with a standard drive program ex-works. Invacare® can only give a warranty for safe vehicle driving behaviour - especially the tipping stability - for this standard drive program!*
-

### 3 Tightening torques

The tightening torques stated in the following list are based on the thread diameter for the nuts and bolts for which no specific values have been determined. All values assume dry and de-greased threads.

Thread	M4	M5	M6	M8	M10	M12	M14	M16
Tightening torque in Nm $\pm 10\%$	3 Nm	6 Nm	10 Nm	25 Nm	49 Nm	80 Nm	120 Nm	180 Nm



#### CAUTION!

Damage can be caused to the mobility device due to improperly tightened screws, nuts or plastic connections.

- Always tighten screws, nuts etc to the stated tightening torque.
- Only tighten screws or nuts which are not listed here fingertight.



## 4 Layout of components and componentry

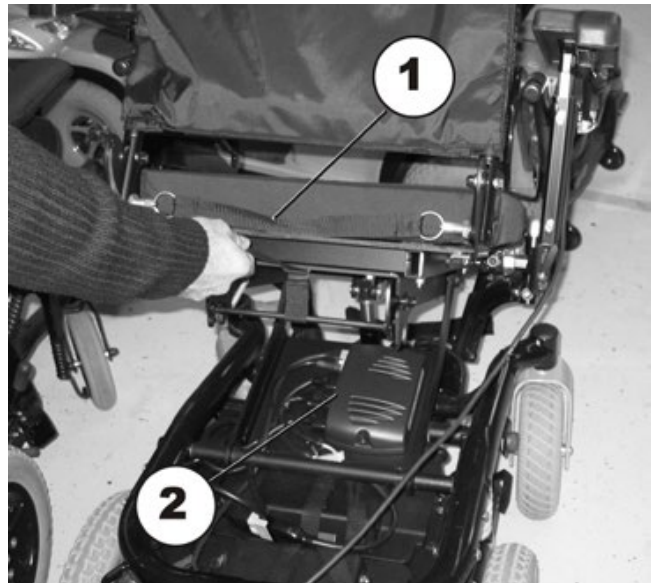
### 4.1 Overview

#### 4.1.1 Wheelchair without lifter

##### Underneath the seat:

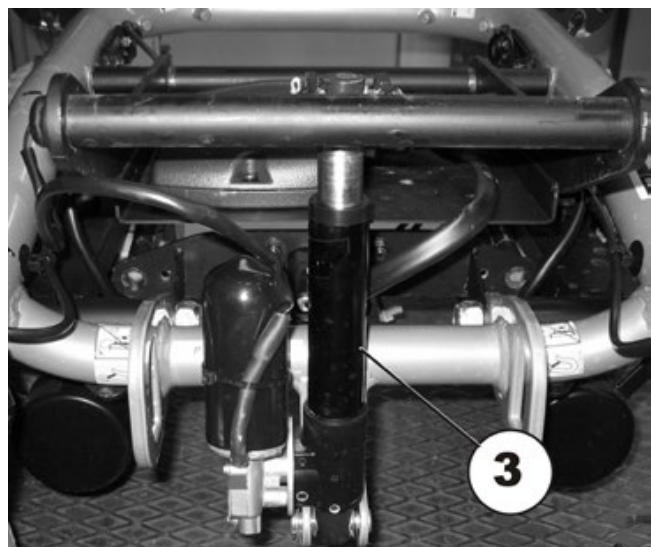
- 1) Seat disengager
- 2) Electronics module

The electronics modules used are described in Chapter 4.2.



##### Power seat tilting

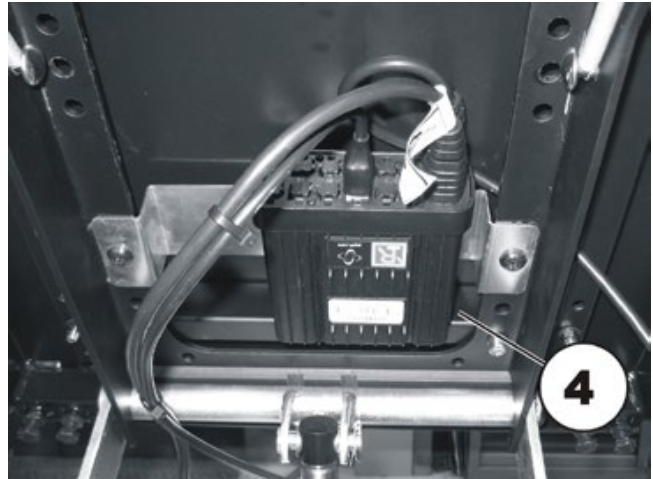
- 3) Adjusting motor



**Actuator module**

4) Actuator module

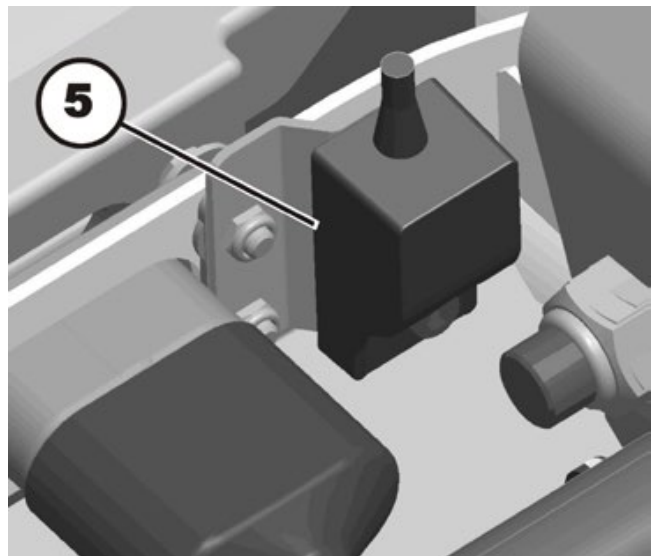
The actuator module is fitted under the seat support.



**G-Trac sensor**

5) G-Trac sensor

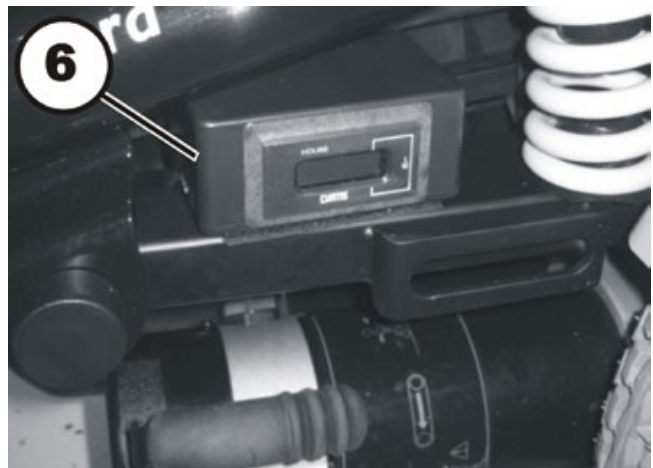
The optional G-Trac sensor is located in the front, next to the battery connector.



**Operation hour counter**

6) Operation hour counter

The optional operation hour counter is mounted laterally on the frame.

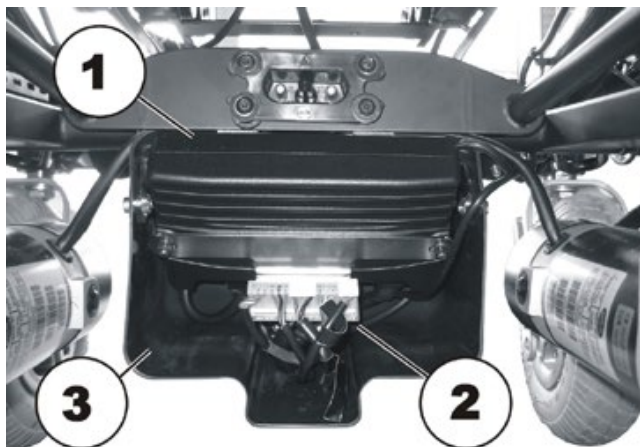


### 4.1.2 Wheelchair with lifter

**In front of the batteries under the plastic cover:**

- 1) Electronics module
- 2) Lighting PCB (optional)
- 3) Plastic cover

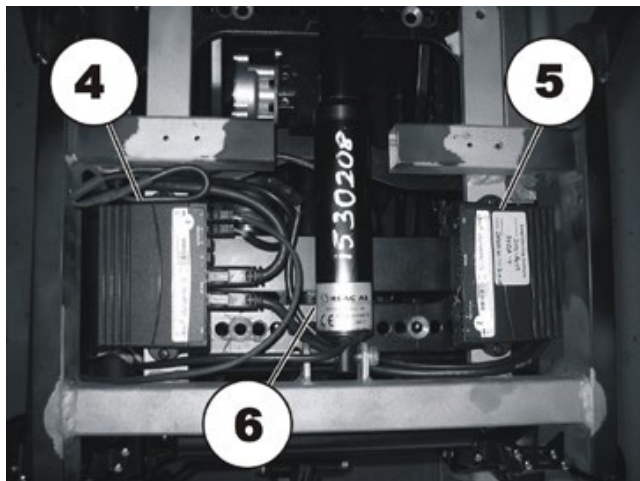
The electronics modules used are described in Chapter 4.2.



#### **Actuator module**

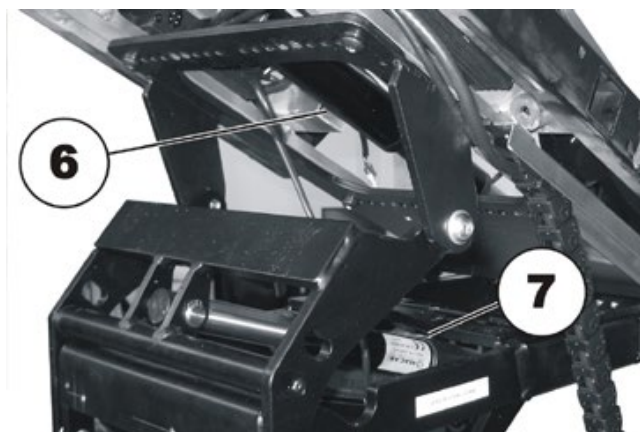
- 4) Actuator module 1 (optional)
- 5) Actuator module 2 (optional)
- 6) Actuator motor backrest (optional)

The actuator modules are fitted under the seat support.



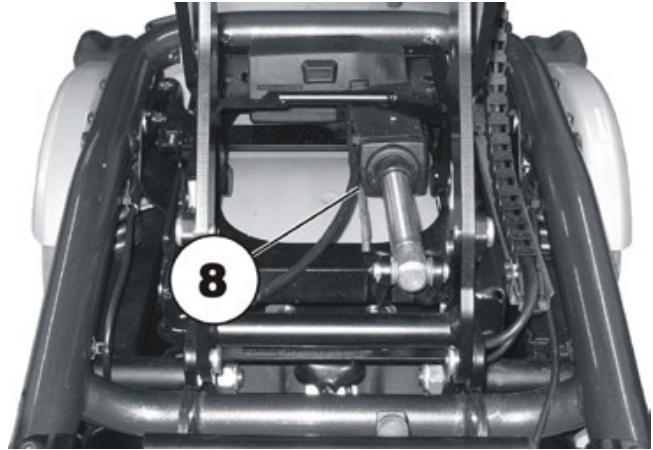
#### **Electric seat adjustment**

- 6) Actuator motor backrest (optional)
- 7) Actuator motor seat tilting



**Electric lifter**

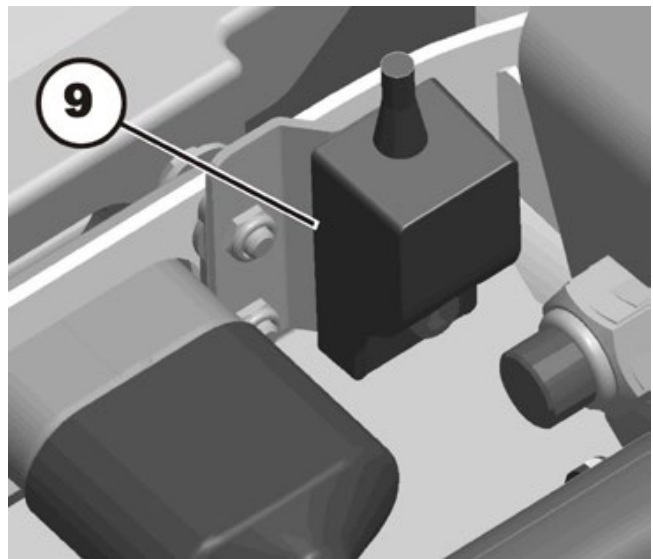
8) Lifter motor



**G-Trac sensor**

9) G-Trac sensor

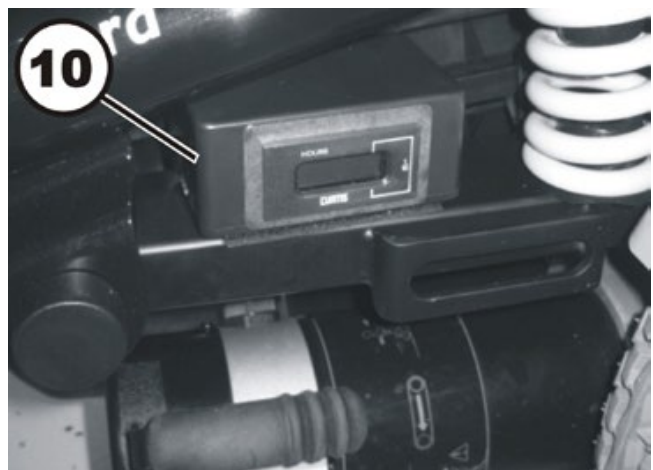
The optional G-Trac sensor is located in the front, next to the battery connector.



**Operation hour counter**

10) Operation hour counter



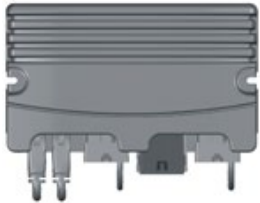



The optional operation hour counter is mounted laterally on the frame.



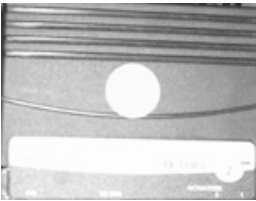


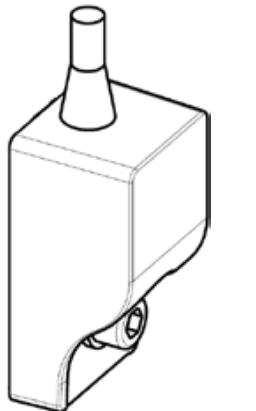



## 4.2 Electronics modules

A variety of electronics modules can be fitted to the mobility device.

Before you connect any mobility device components such as adjusting motors/actuators or motors to the electronics modules, you should first ensure that you know exactly which electronics module has been fitted. Please refer to the following table for an overview.

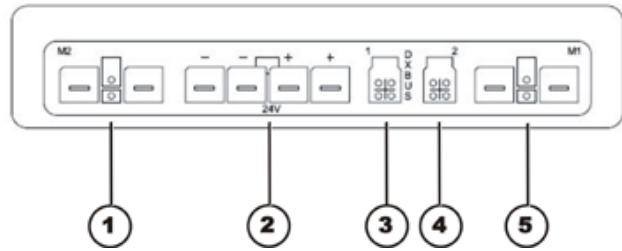
Electronics module	Designation	Joystick boxes	Notes
 	<p>ACS1 60A</p> <p>ACS1 60A with ACT actuator module</p>	REM24 remote	The actuator module is optional.
 	<p>ACS2 PMB70</p> <p>ACS2 PMB70L</p> <p>ACS2 PMA90LG</p> <p>ACS2 with ACT actuator modul</p>	<p>G90A</p> <p>REM A</p> <p>REM B</p> <p>REM 550</p>	The actuator module is optional.
	VR2	VR2 remote	
	R-Net	R-Net remote	

Electronics module	Designation	Joystick boxes	Notes
	Shark	Shark II remote	
	Shark with lighting PCB		The lighting PCB is optional.
	ACT actuator module		The actuator module is optional.
	R-NET ISM lighting and actuator module		The module is optional.
	Lighting PCB		The lighting PCB is optional.
	G-Trac sensor		The G-Trac sensor is optional.
	Operation hour counter		The operation hour counter is optional.

### 4.2.1 ACS1 60A electronics module

**Connections**

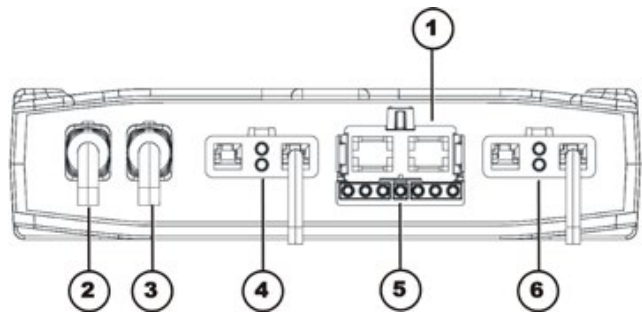
- 1) Motor M2
- 2) Battery 24V
- 3) Bus cable (to remote or ACT)
- 4) Bus cable (to remote or ACT)
- 5) Motor M1



### 4.2.2 ACS2 PMB70 / ACS2 PMB70L electronics module

**Connections**

- 1) Battery 24V
- 2) Bus cable (to remote or ACT)
- 3) Bus cable (to remote or ACT)
- 4) Motor M1
- 5) Light
- 6) Motor M2



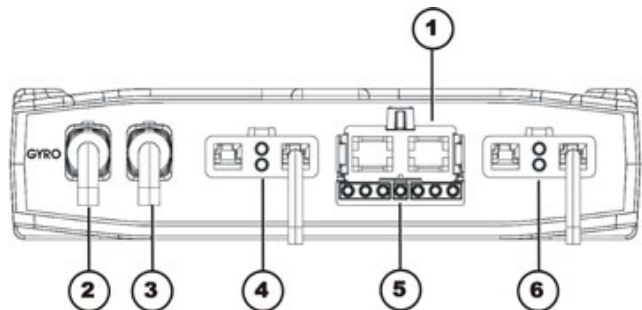
**Rubber stoppers for free slots**

2) & 3) Order number: 1552876

### 4.2.3 ACS2 PMA90LG electronics module

**Connections**

- 1) Battery 24 V
- 2) Cable to G-Trac sensor (GYRO)
- 3) Bus cable (to remote or ACT)
- 4) Motor M1
- 5) Light
- 6) Motor M2



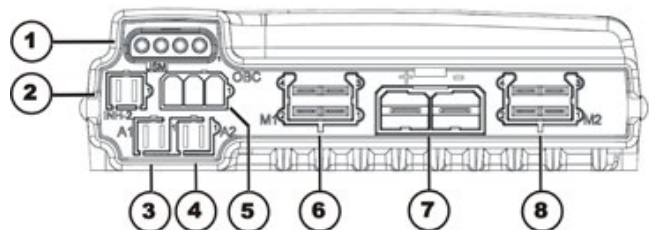
**Rubber stoppers for free slots**

2) & 3) Order number: 1552876

### 4.2.4 VR2 electronics module

**Connections**

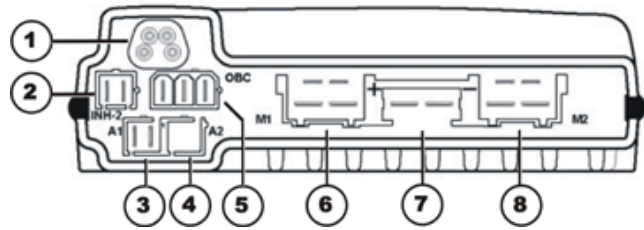
- 1) Joystick box
- 2) Lock (INHIBIT 2)
- 3) Actuator 1
- 4) Actuator 2
- 5) On-board battery charger
- 6) Motor M1
- 7) Battery 24V
- 8) Motor M2



### 4.2.5 R-Net electronics module

**Connections**

- 1) Bus
- 2) Lock (INHIBIT 2)
- 3) Actuator 1
- 4) Actuator 2
- 5) On-board battery charger
- 6) Motor M1
- 7) Battery 24V
- 8) Motor M2

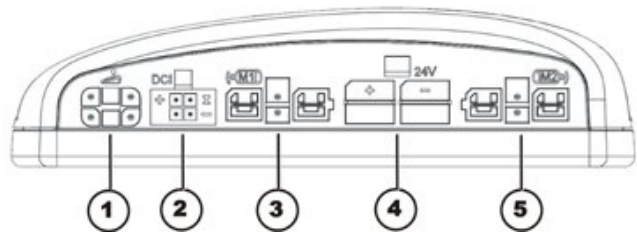


### 4.2.6 Shark electronics module

#### 4.2.6.1 Shark with 4-pole DCI

**Connections**

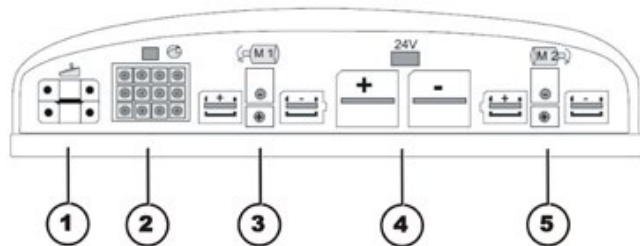
- 1) Joystick box
- 2) DCI for actuators (4-pole)
- 3) Right-hand motor M1
- 4) Battery 24V
- 5) Left-hand motor M2



#### 4.2.6.2 Shark with DCI 12-pole

**Connections**

- 1) Cable to remote
- 2) DCI for actuators/lighting (12-pole)
- 3) Right-hand motor M1
- 4) Battery 24V
- 5) Left-hand motor M2



### 4.2.7 ACT actuator module

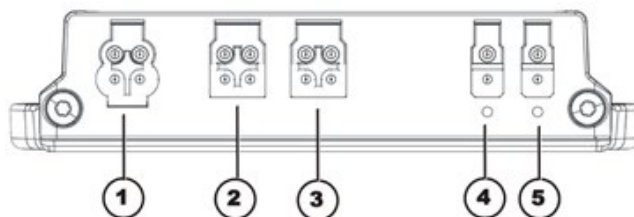
A range of adjusting motors, also known as actuators, can be fitted to the mobility device. These actuators are either connected directly to the electronics module or to a separate actuator module. The actuator module is connected with the electronics module via a bus cable.



#### 4.2.7.1 ACT 2 actuator module

##### Connections

- 1) ACI\*
- 2) Bus cable (to remote or ACT)
- 3) Bus cable (to remote or ACT)
- 4) Adjusting motor/actuator - Channel 2
- 5) Adjusting motor/actuator - Channel 1



##### Rubber stoppers for free slots

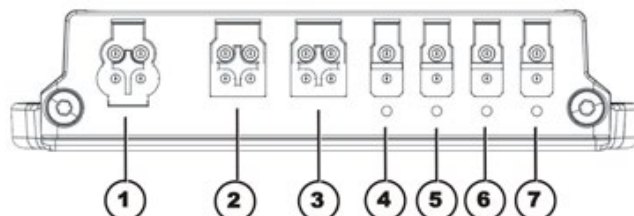
- 1) Order number: 1555701
- 2) & 3) Order number: 1552876
- 4) & 5) Order number: 1555700

\* The ACI connection is used for actuator limitation or speed reduction.

#### 4.2.7.2 ACT 4 actuator module

##### Connections

- 1) ACI\*
- 2) Bus cable (to remote or electronics module)
- 3) Bus cable (to remote or electronics module)
- 4) Actuator - Channel 4
- 5) Actuator - Channel 3
- 6) Actuator - Channel 2
- 7) Actuator - Channel 1



##### Rubber stoppers for free slots

- 1) Order number: 1555701
- 2) & 3) Order number: 1552876
- 4) to 7) Order number: 1555700

\* The ACI connection is used for actuator limitation or speed reduction.

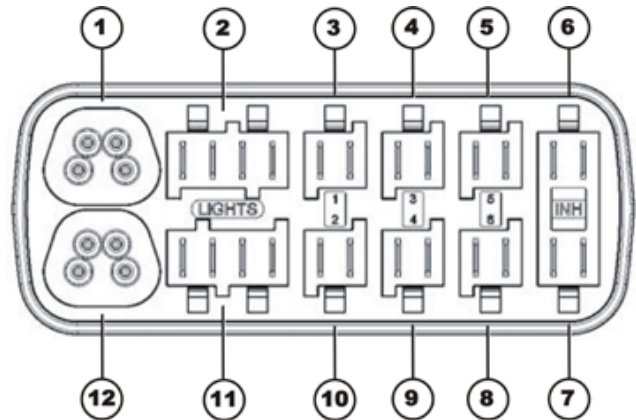
#### 4.2.8 R-NET ISM lighting and actuator module

A range of adjusting motors, also known as actuators, can be fitted to the wheelchair. These actuators are either connected directly to the electronics module or to a separate actuator module. The actuator module is connected with the electronics module via a bus cable.

In addition, the lighting can be connected to the R-NET ISM. An additional lighting PCB is not then required.

**Connections**

- 1) Bus cable (to remote or ACT)
- 2) Light left
- 3) Adjusting motor/actuator - Channel 1
- 4) Adjusting motor/actuator - Channel 3
- 5) Adjusting motor/actuator - Channel 5
- 6) INH 4\*
- 7) INH 5\*
- 8) Adjusting motor/actuator - Channel 6
- 9) Adjusting motor/actuator - Channel 4
- 10) Adjusting motor/actuator - Channel 2
- 11) Light right
- 12) Bus cable (to remote or ACT)



\* The INH connection is used for actuator limitation or speed reduction.

**4.2.9 Lighting PCB**

The lighting PCB connections are printed on the circuit board itself.

## 5 Maintenance plan (1x annually)



### CAUTION!

**Danger of injury and damage to property, if the maximum speed reduction on a wheelchair with a lifter does not function correctly!**

*The wheelchair's control unit must reduce the maximum possible speed as soon as the lifter is raised.*

- *Test the maximum speed reduction for correct function after any maintenance work or modifications to the wheelchair.*

Component	Check	Remedy	Notes	Ü
<b>Armrests</b>	• Damage to armrests	• Replace covering if damaged		
	• Armrest fixings	• Tighten screws		
<b>Side panels</b>	• Damage to side panels	• Replace side panels if damaged		
	• Side panel fixings	• Tighten screws		
<b>Seat lock</b>	• Seat lock defective	• Replace seat lock		
<b>Seat angle adjustment</b>	• Tight seating of SL fuses	• Replace SL fuses if necessary		
<b>Power backrest (if fitted)</b>	<ul style="list-style-type: none"> <li>• Damage to backrest</li> <li>• Seams</li> <li>• Fixing</li> <li>• Check cable</li> <li>• Check function</li> </ul>	<ul style="list-style-type: none"> <li>• Replace parts if damaged</li> <li>• Tighten screws</li> <li>• Replace cable motor if necessary</li> </ul>		
<b>Frames (chassis) / battery mounting</b>	• Check fixings, welded seams and battery mounting	<ul style="list-style-type: none"> <li>• Tighten screws</li> <li>• Replace components if necessary</li> </ul>		
<b>Wheel suspension and wheels</b>	• Check drive wheels for tight fit and side play	• Adjust, replace wheel hubs	See chapter 7.15.	
	• Check steering wheels for tight fit, float and side play	• Replace wheels, wheel fork or wheel bearings	See chapter 7.11.	
	• Pneumatic tyres (if fitted)	• Repair or replace if damaged	See chapter 7.14.	

Component	Check	Remedy	Notes	ü
<b>Drive units, coupling mechanism</b>	<ul style="list-style-type: none"> <li>Check functions in drive and push modes</li> <li>Check coupling mechanism</li> </ul>	<ul style="list-style-type: none"> <li>Replace motor if necessary.</li> <li>Tighten screws/nuts, adjust or replace if necessary</li> </ul>		
<b>Legrests</b>	<ul style="list-style-type: none"> <li>Check welded seams, interlocking, screws, footplates</li> </ul>	<ul style="list-style-type: none"> <li>Tighten, replace if necessary</li> </ul>		
<b>Power legrests (if fitted)</b>	<ul style="list-style-type: none"> <li>Check cable</li> <li>Check contacts</li> <li>check functions</li> </ul>	<ul style="list-style-type: none"> <li>Replace cable if necessary</li> </ul>		
<b>Lighting (if fitted)</b>	<ul style="list-style-type: none"> <li>Check cable</li> <li>Check function</li> </ul>	<ul style="list-style-type: none"> <li>Replace lamp or cable if necessary</li> </ul>		
<b>Batteries</b>	<ul style="list-style-type: none"> <li>Check batteries for damage</li> </ul>	<ul style="list-style-type: none"> <li>Replace batteries if necessary</li> </ul>	See chapter 7.7.	
	<ul style="list-style-type: none"> <li>Check battery voltage</li> </ul>	<ul style="list-style-type: none"> <li>Charge batteries</li> </ul>	See operating manual	
	<ul style="list-style-type: none"> <li>Check contacts and terminals</li> </ul>	<ul style="list-style-type: none"> <li>Clean contacts and terminals</li> </ul>	Please refer to the safety information in Chapter 7.7 for handling batteries	
<b>Battery case</b>	<ul style="list-style-type: none"> <li>Check locking system, it must engage completely.</li> </ul>	<ul style="list-style-type: none"> <li>Replace if necessary</li> </ul>		
<b>Remote / electronics module</b>	<ul style="list-style-type: none"> <li>Remote, status display blinking</li> </ul>	<ul style="list-style-type: none"> <li>Evaluate error/blink code</li> </ul>		
	<ul style="list-style-type: none"> <li>Fixings</li> </ul>	<ul style="list-style-type: none"> <li>Tighten fixings, replace if necessary</li> </ul>		
	<ul style="list-style-type: none"> <li>Cables and connecting plugs</li> </ul>	<ul style="list-style-type: none"> <li>Tighten cables and connecting plugs, replace if necessary</li> </ul>		
	<ul style="list-style-type: none"> <li>Drive lever function</li> </ul>	<ul style="list-style-type: none"> <li>Replace drive lever if necessary</li> <li>Replace remote if necessary</li> </ul>		
	<ul style="list-style-type: none"> <li>Power supply</li> </ul>	<ul style="list-style-type: none"> <li>Tighten cables and connecting plugs, replace if necessary</li> </ul>		
<b>Drive program</b>	<ul style="list-style-type: none"> <li>Check drive electronics program version</li> </ul>	<ul style="list-style-type: none"> <li>Update software if newer version available.</li> </ul>	See chapter 7.6.	

## 6 Operational faults

The various electronics modules can be fitted in connection with differing remotes in the mobility device. Rectification of operational faults is dependent on the electronics module fitted.

The electronics modules used are described in Chapter 4.2.



### NOTE:

The tables for rectification of operational faults listed in the following chapters are only an excerpt from the original manufacturer's manuals.

You can obtain the original manuals from Invacare®.

If you have problems with the mobility device, please proceed as follows:

- First assess the possible cause of the problem using the following table.
- Check the remote status display. Evaluate the error code.
- Carry out the necessary checks and repairs as recommended in the following table.

### 6.1 Drive fault diagnosis

Problem	Other Symptoms	Possible Cause	Solution	Documentation
<b>Mobility device will not start</b>	The remote status display illuminates normally and does not show an error code.	Drive motors disengaged	Engage drive motors	See operating manual
	Remote status display does not illuminate	batteries defective	Replace batteries	See chapter 7.7.
		Completely discharge battery	Pre-charge batteries	See operating manual
		Power supply to remote interrupted	Check master fuse	See chapter 7.2.9.
			Check cables between the modules for loose connections and damage	See chapter 7.9.
	Remote defective	Replace remote	See chapter 7.10.	
Remote status display blinking	Various causes	Assess error code	See chapter 6.2.	
<b>Mobility device judders in drive mode</b>	None	Batteries defective (unstable voltage)	Replace batteries	See chapter 7.7.
		Drive motor(s) defective	Replace motor(s)	See chapter 7.2 .

Problem	Other Symptoms	Possible Cause	Solution	Documentation	
			Replace carbon brushes	See chapter 7.2.4.	
<b>Batteries not being charged</b>	None	Batteries defective	Replace batteries	See chapter 7.7.	
	LEDs blinking on charging unit	Charging unit defective	Replace charging unit	See charging unit operating manual	
<b>Mobility device runs too slowly</b>	None	Remote defective	Replace remote	See chapter 7.10.	
		Batteries defective	Replace batteries	See chapter 7.7.	
<b>Electrical adjustment motor does not react</b>	Remote shows a blinking "E", status diode on lighting/actuator module does not go out even if remote is switched off or disconnected.	Lighting / actuator module defective	Replace lighting / actuator module	See chapter 7.2.9.	
		None	Cable disconnected or damaged	Safeguard cable connection, replace cable if necessary	See chapter 7.9.
			Electrical adjusting motor defective	Check adjusting motor	See chapter 7.17.
			Remote defective	Replace remote	See chapter 7.10.

## 6.2 REM24 remote: Error codes and diagnostic codes

The drive electronics can automatically rectify some faults. In this case the status display will stop blinking. Switch the remote on and off again several times. Wait around 5 seconds each time before switching the remote on again. If this does not rectify the fault, determine the cause using the blink codes from the following table.

Blink Code	Possible Cause	Solution	Documentation
1 x blink	Module defective	Replace defective module	See chapter 7.2.9.
2 x blink	Accessory error (e.g. short-circuit in adjusting motor)	Check accessory connections, check accessory	See chapter 7.17.
	Lifter too high or too low (seat not at driving height)	If the lifter is raised, lower it slowly until the status display stops blinking. If the lifter is too low, raise it slowly until the status display stops blinking. Only drive when the seat is at driving height.	See operating manual
3 x blink	Error at right-hand motor Connection loose/defective or motor defective	Check connection plug, check motor	See chapters 7.9 and 7.2
4 x blink	Error at left-hand motor Connection loose/defective or motor defective	Check connection plug, check motor	See chapters 7.9 and 7.2
5 x blink	Fault/brake fault on right-hand motor. Connection loose/defective or motor defective	Check connection plug	See chapters 7.9 and 7.2
6 x blink	Fault/brake fault on left-hand motor. Connection loose/defective or motor defective	Check connection plug	See chapters 7.9 and 7.2
7 x blink	Completely discharge battery	Pre-charge battery	See operating manual
8 x blink	Battery voltage too high	Switch lighting to low battery voltage Check battery charger	See charging unit operating manual
9 or 10 x blink	Faulty data transmission between modules	Remove electronic modules except for the power module and the remote. Replace the modules one after another in order to ensure which the one was causing the fault.	See chapter 7.2.9.

---

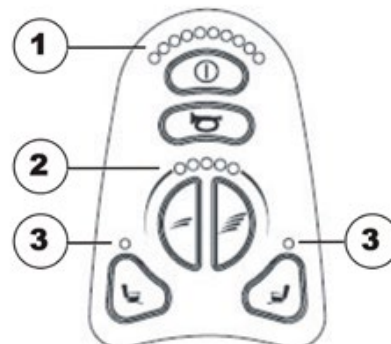
Blink Code	Possible Cause	Solution	Documentation
11 x blink	Drive motors overloaded / overheated	Switch remote on and off / wait if necessary	-
12 x blink	Compatibility problems between modules	Remove incorrect module	See chapter 7.2.9.



### 6.3 VR2 remote: Error codes and diagnostic codes

Evaluate the cause using the following blink codes. The following figure shows which LEDs are located on the remote.

- 1) Battery display
- 2) Profile indicator
- 3) Adjusting motors



Error code	Possible Cause	Solution	Documentation
<b>1 LED battery display</b>	Batteries discharged	Charge battery Check cable to batteries	See chapter 7.9.
<b>2 LED battery display</b>	Error at left-hand motor Connection loose/defective or motor defective	Check connection plug, check motor	See chapters 7.9 and 7.2
<b>3 LED battery display</b>	Short-circuit in left-hand motor	Check connection plug, check motor	See chapters 7.9 and 7.2
<b>4 LED battery display</b>	Error at right-hand motor Connection loose/defective or motor defective	Check connection plug, check motor	See chapters 7.9 and 7.2
<b>5 LED battery display</b>	Short-circuit in right-hand motor	Check connection plug, check motor	See chapters 7.9 and 7.2
<b>6 LED battery display</b>	The mobility device has been blocked by an external signal, for example because the charger is connected.	Remove battery charger	
<b>7 LED battery display</b>	Fault on drive lever	Put the drive lever in a central position before switching the remote on.	
<b>8 LED battery display</b>	Fault in the electronics	Check cable	See chapter 7.9.

<b>Error code</b>	<b>Possible Cause</b>	<b>Solution</b>	<b>Documentation</b>
<b>9 LED battery display</b>	The parking brake is not working correctly.	Check parking brake Check cable.	See chapter 7.9.
<b>10 LED battery display</b>	Power surges in the control box, e.g. due to bad connection with batteries.	Check cable to batteries	See chapter 7.9.
<b>7 LED Battery display plus 5 LED profile indicator</b>	Compatibility problems between modules	Check cable to remote Replace remote	See chapter 7.9.
<b>8 LED Battery display plus 2 LED actuators</b>	Actuator error;	if more than one actuator is fitted, locate the defective actuator. Check cable to actuator	See chapter 7.9.

## 6.4 Shark 2 remote Error codes and diagnostic codes

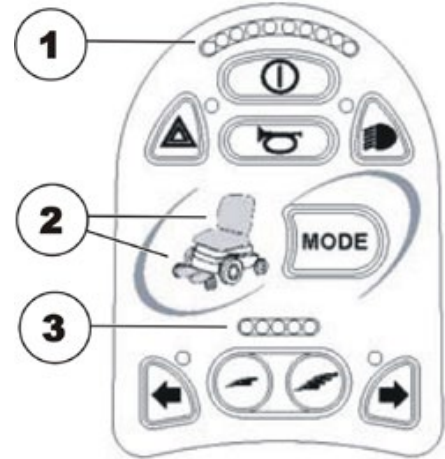
The drive electronics can automatically rectify some faults. In this case the status display will stop blinking. Switch the remote on and off again several times. Wait around 5 seconds each time before switching the remote on again. If this does not rectify the fault, determine the cause using the following link codes:

Blink Code	Meaning	Solution	Documentation
1	Operating error	Set drive lever to neutral central position (just release drive lever) and switch on again	
2	Battery error	Check battery and mains cable	See chapter 7.9.
		Charge batteries. If you switch the mobility device off for a few minutes, the batteries can often charge themselves up enough to enable a short journey. You should, however, only use this solution in emergency situations because it results in excessive battery discharging.	See operating manual
		Replace batteries	See chapter 7.7.
3	Fault on left-hand motor (M2)	Check motor cable and connecting plug. Check motor.	See chapters 7.7 and 7.2
4	Fault on right-hand motor (M1)	Check motor cable and connecting plug. Check motor.	See chapters 7.7 and 7.2
5	Fault at left-hand (M2) motor brake	Check cable and plug.	See chapter 7.7.
6	Fault right-hand (M1) motor brake	Check cable and plug.	See chapter 7.7.
7	Error in Shark remote	Check bus cable in remote and connecting plug. Replace remote.	See chapter 7.7.
8	Error in Shark power module	Check all the cables and plugs in the Shark system. Replace electronics module	See chapters 7.7 and 7.2.9
9	Communication error in Shark system	Check all cables and connecting plugs in the Shark system. Replace remote.	See chapters 7.7 and 7.2.9
10	Unknown error	Check all cables and connecting plugs.	See chapter 7.7.
11	Incompatible remote	The wrong remote has been connected. Ensure that electronic module code and the remote code match.	See chapter 7.2.9.

### 6.5 R-NET remote: Error codes and diagnostic codes

Evaluate the cause using the following blink codes. The following figure shows which LEDs are located on the remote.

- 1) Battery display
- 2) Actuators
- 3) Profile indicator



Error code	Possible Cause	Solution	Documentation
<b>1 LED battery display</b>	Batteries discharged	Charge battery Check cable to batteries	See chapter 7.9.
<b>2 LED battery display</b>	Fault in left-hand motor; connection loose/defective or motor defective	Check connection plug, check motor	See chapters 7.9 and 7.2
<b>3 LED battery display</b>	Short-circuit in left-hand motor	Check connection plug, check motor	See chapters 7.9 and 7.2
<b>4 LED battery display</b>	Fault in right-hand motor; connection loose/defective or motor defective	Check connection plug, check motor	See chapters 7.9 and 7.2
<b>5 LED battery display</b>	Short-circuit in right-hand motor	Check connection plug, check motor	See chapters 7.9 and 7.2
<b>6 LED battery display</b>	The wheelchair has been blocked by an external signal, for example because the charger is connected.	Remove battery charger	
<b>7 LED battery display</b>	Fault on drive lever	Put the drive lever in a central position before switching the remote on.	
<b>8 LED battery display</b>	Fault in the electronics	Check cable	See chapter 7.9.
<b>9 LED battery display</b>	The parking brake is not working correctly.	Check parking brake Check cable.	See chapter 7.9.

<b>Error code</b>	<b>Possible Cause</b>	<b>Solution</b>	<b>Documentation</b>
<b>10 LED battery display</b>	Power surges in the control box, e.g. due to bad connection with batteries.	Check cable to batteries	See chapter 7.9.
<b>7 LED Battery display plus 5 LED profile indicator</b>	Compatibility problems between modules	Check cable to remote Replace remote	See chapter 7.9.
<b>Actuator LEDs blinking</b>	Actuator error	If more than one actuator is fitted, locate the defective actuator. Check cable to actuator	See chapter 7.9.

## 7 Repair work

### 7.1 General warning information about fitting work



#### CAUTION!

**Danger of damage to vehicle! Collisions can be caused if the adjusting washers are removed during fitting work to the drive wheels!**

*Adjusting washers are often fitted between the drive shaft and the wheel hub to even out tolerances. If these adjusting washers are removed and not replaced again, collisions can be caused!*

- *Always replace the adjusting washers exactly as they were before you started dismantling!*



#### CAUTION!

**Danger of injury and damage to property, if the maximum speed reduction on a wheelchair with a lifter does not function correctly!**

*The wheelchair's control unit must reduce the maximum possible speed as soon as the lifter is raised.*

- *Test the maximum speed reduction for correct function after any maintenance work or modifications to the wheelchair.*

### 7.2 Replacing drive components



#### ATTENTION: Danger of crushing!

**The mobility and the seat are very heavy. Danger of injury hazard to hands and feet caused by uncontrolled tilting oder other movement!**

- *Use proper lifting techniques.*
- *Remove the seat and place the mobility device upside down so that the wheels are facing upwards! This guarantees mobility device stability during repair work!*
- *Please see the following work steps for further important information.*



#### ATTENTION!

**Fire and burns hazard if battery terminal is bypassed!**

- *Please take great care to ensure that the battery terminals are never short-circuited with tools or mechanical mobility device parts!*
- *Ensure that the battery terminal caps have been replaced if you are not working on the battery terminals.*



#### Requirements:

- small flat screwdriver
- Torx TX40 spanner
- Allen key 5 mm
- wooden block (approx. 12 x 12x 30 cm for propping up vehicle)
- hairdryer
- high-strength screw blocker system, e.g. Loctite 270
- oblique pliers
- Cable binder

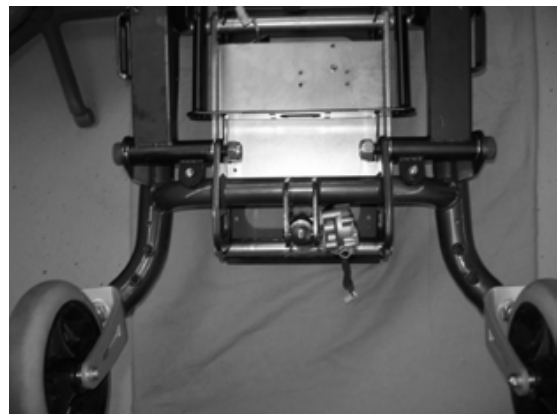
**Note**

When disassembling, take care of small parts such as screws and washers. Put all small parts down so that they can be reassembled in the right sequence.

- Remove legrests.
- Release seat (1) and tilt forwards.
- Disconnect the remote bus cable from the electronics module or ACT.
- Lift the seat out of the front anchorage and remove it. The seat has a heavy weight. Use proper lifting techniques.



- Remove both battery cases as described in Chapter 7.7.1.
- Disconnect the motor plug from the motor to be replaced from the electronics module.
- The motor cable is secured inside the frames with cable ties. Remove the cable ties with the oblique pliers.
- Place the vehicle upside down so that the wheels are facing upwards. The vehicle has a heavy weight. Use proper lifting techniques.



- Remove the wheel as described in Chapter 7.15.

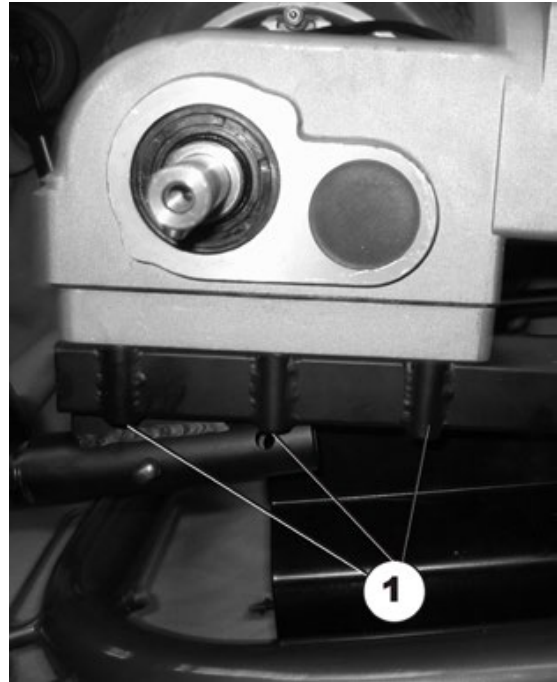
### 7.2.1 Replacing the complete drive unit

- Loosen the six drive unit screws with the 6 mm Allen key.

3 screws are located on the outside of the drive unit as shown in the figure.

The other 3 screws are located on the inside of the drive unit.

- Lift the complete drive unit up.



- The drive unit is reassembled in reverse order to disassembly.

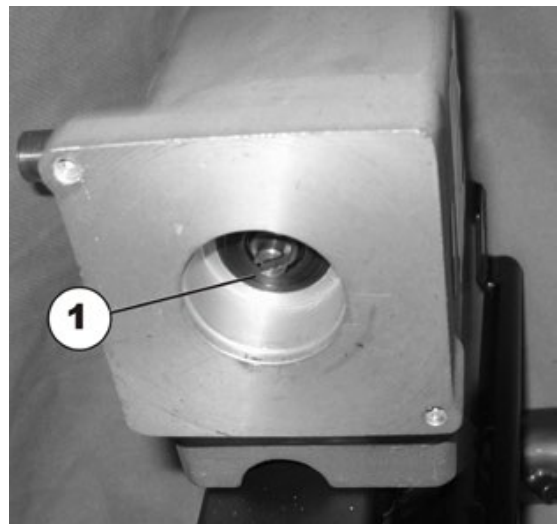


### 7.2.2 Replacing the motor

- Loosen the motor screw (1) with the 5 mm Allen key.
- Remove the motor from the transmission.

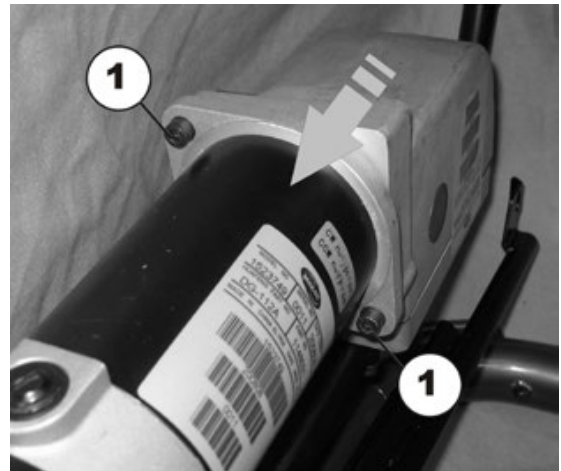


- The motor is reassembled in reverse order to disassembly.
- The motor must be carefully inserted into the transmission to avoid damage. Observe the position of the groove (1) in the transmission.
- The cable must be routed so that it does not rub or get trapped.
- Insert the motor plug into the electronics module.
- Secure the motor cable to the frame with cable ties.

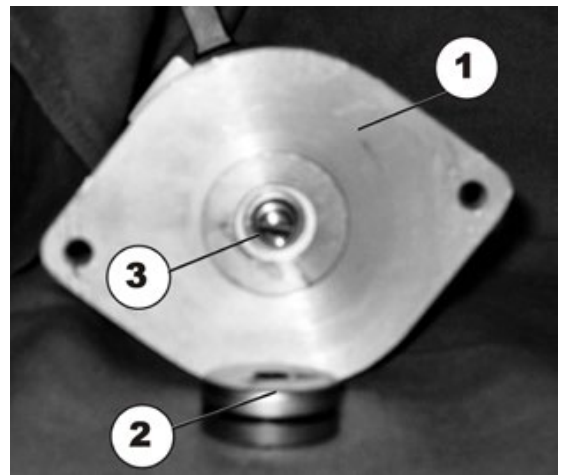


### 7.2.3 Replacing the jaw clutch

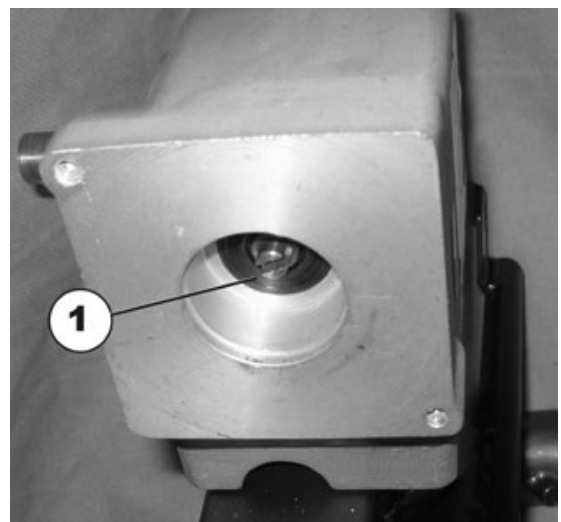
- Loosen the motor screw (1) with the 5 mm Allen key.
- Remove the motor from the transmission.



- Remove the clutch (2) from the motor (1) using the screwdriver
- Place a new clutch on the motor. Observe the position of the groove (3) on the motor.



- The motor is reassembled in reverse order to disassembly.
- Insert the motor carefully into the transmission to avoid damage. Observe the position of the groove (1) in the transmission.
- The cable must be routed so that it does not rub or get trapped.
- Insert the motor plug into the electronics module.
- Secure the motor cable with cable ties.



## 7.2.4 Replace carbon brushes

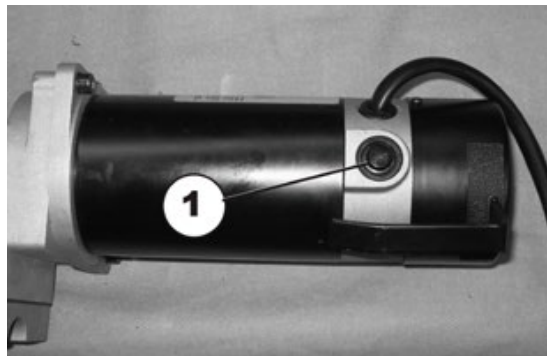


### Note

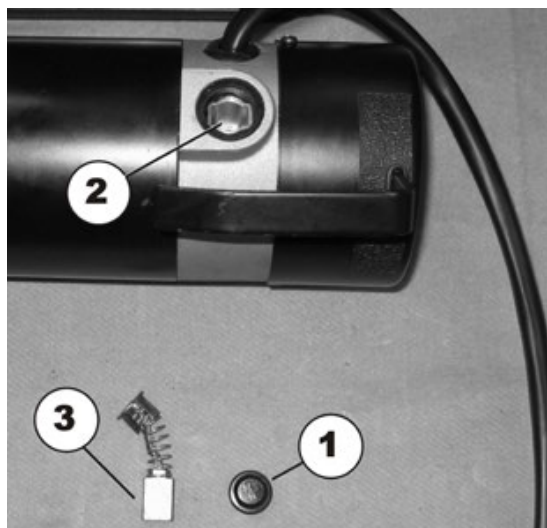
The carbon brushes are located under plastic caps outside each motor. This makes them easily accessible so that they can be replaced without removing the motor.

Always replace the carbon brushes on both motors.

- Carefully remove the plastic cap (1) on the motor with the screwdriver.



- Remove the plastic cap (1) and the carbon brushes (3).
- Insert new carbon brushes (3) through the openings (2) on the motors. In doing so, the spring must face upwards.
- Carefully screw in the plastic cap (1) on the motor with the screwdriver.



## 7.2.5 Replacing the motor / gearbox unit (SSD motor)



**ATTENTION: Danger of crushing to the hands and feet by the weight of the wheelchair!**

- Pay attention to the hand and feet.
- Use proper lifting techniques.

**Danger of injury due to uncontrolled movement of the wheelchair!**

- Switch the vehicle's power system off (ON-/OFF key).
- Engage the drive motors.
- Secure the vehicle against rolling away by placing wedges under the wheels.



**CAUTION: Danger of crushing!**

**The motor / gearbox unit is very heavy. Danger of injury to the hands!**

- Pay attention to the heavy weight.

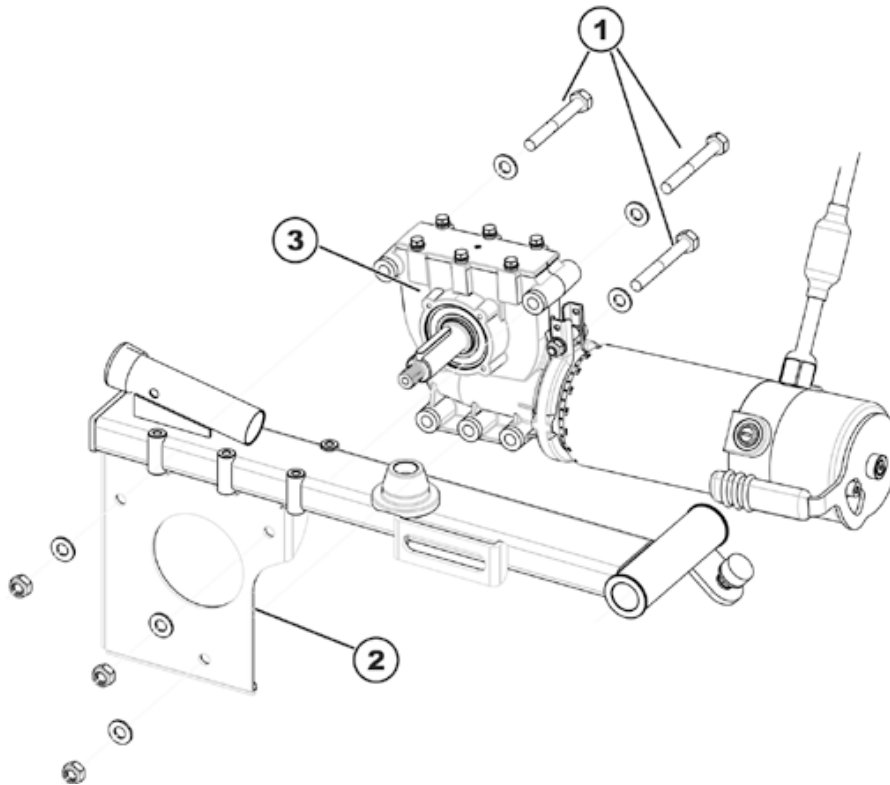


**Requirements:**

- 5 mm Allen key
- 10 mm socket wrench
- 13 mm socket wrench
- Torque wrench 0 – 10 Nm (or similar)
- Torque wrench 5 – 30 Nm (or similar)
- Torque wrench 10 – 80 Nm (or similar)
- Two oblong wooden blocks, at least 14 x 14 x 30 cm

**Uninstalling the motor / gear box unit:**

- Switch the electronics OFF on the remote.
- Remove the rear battery boxes, as described in chapter 7.7.1.
- Pull the motor plug out of the power module.
- Open the cable clamps and expose the motor cable.
- Remove the drive wheel as described in chapter 7.15.
- Remove the wheel hub as described in chapter 7.2.9.
- Remove the splash guard as described in chapter 7.16.



- Use a 13 mm open-end wrench and a 13 mm socket wrench to loosen and remove the three hexagon socket head screws (1).
- Remove the screws together with the washers.
- Pull the motor/gear box unit (3) rearward out of its holder (2). Take into account the heavy weight of the unit.

**Installing the motor / gearbox unit:**

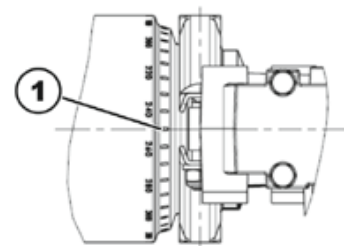
- Replace the defective components.
- Before installing a new motor / gearbox unit, make sure the sealing ring (2) is correctly mounted. The sealing ring securely attaches the motor (3) and the gearbox (5). The ring must be installed such that the self-locking nut (4) is located on the outside.
- If the sealing ring is incorrectly installed, rotate it around as described in chapter 7.2.6.
- Install the motor / gearbox unit in reverse order.
- Use the scale to align the motor to the centre axis (1):

2-pole motors:

- Left: 200°
- Right: 280°.

4-pole motors:

- Left: 280°
- Right: 280°.



- Make sure that the motor cable cannot be pinched or bent, and that it is not exposed to chafing in any place. The coupling lever must be able to move to the positions "Driving" as well as "Pushing".
- Tighten the self-locking nut (4) of the sealing ring to a torque of 4 Nm.
- Connect the motor cable plug.
- Reinstall all components that were removed beforehand in reverse order.
- To conclude, you should always carry out a trial run to test the vehicle functions.

### 7.2.6 Replacing or rotating the motor / gearbox unit sealing ring



**CAUTION: Danger of crushing!**

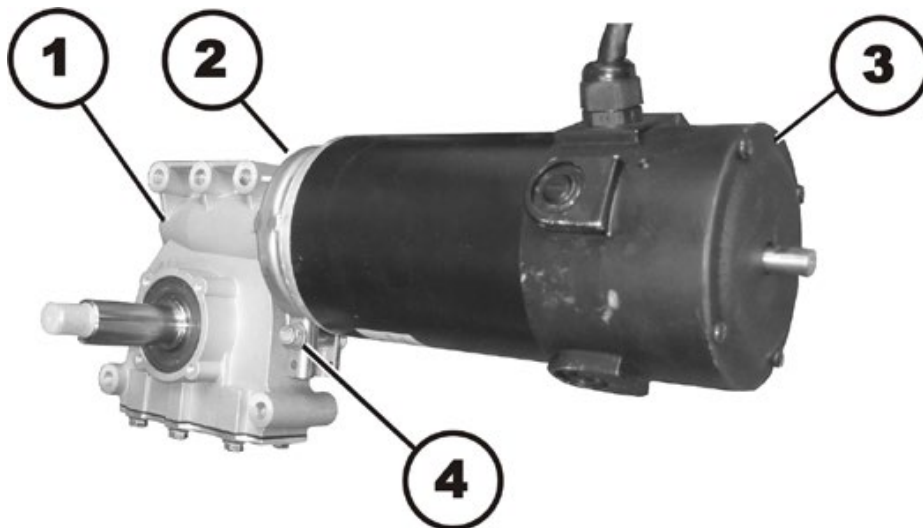
**The motor / gearbox unit is very heavy. Danger of injury to the hands!**

- *Pay attention to the heavy weight.*



**Requirements:**

- 10 mm socket wrench



#### Uninstalling the sealing ring:

- Uninstall the motor / gearbox unit, as described in chapter 7.2.5.
- Use the 10 mm socket wrench to loosen and remove the self-securing nuts (4) including the washers.
- Remove the carriage bolt, which secures the sealing ring (2).
- Carefully bend the sealing ring apart and remove it.

#### Installing the sealing ring:

- Install the sealing ring so that the square hole for the carriage bolt is on the inside of the wheelchair.
- Insert the carriage bolt through the sealing ring.
- Install the washer and the self-locking nut.
- Do not tighten the self-locking nut completely, as the motor orientation must be adjusted during installation.

### 7.2.7 Replacing the motor / gearbox coupling (SSD motor)

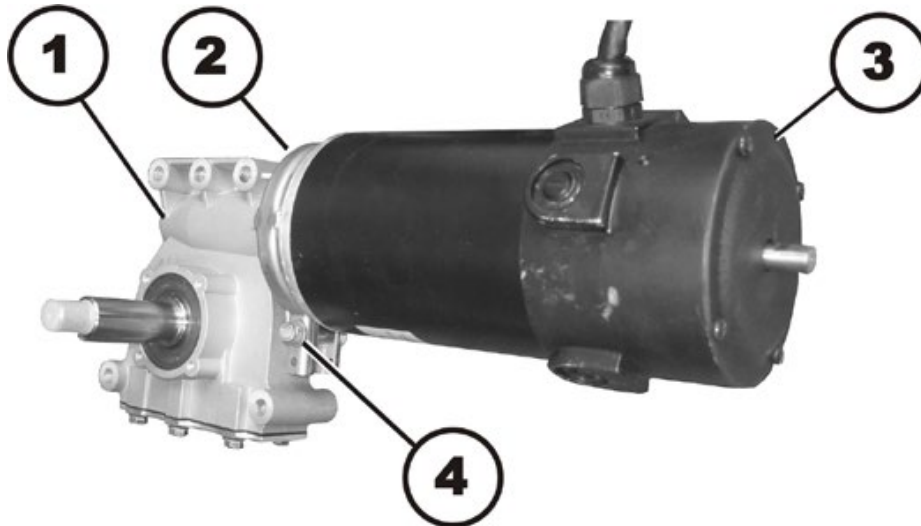
**CAUTION: Danger of crushing!**

The motor / gearbox unit is very heavy. Danger of injury to the hands!

- Pay attention to the heavy weight.

**Requirements:**

- 10 mm socket wrench

**Uninstalling the motor / gearbox coupling:**

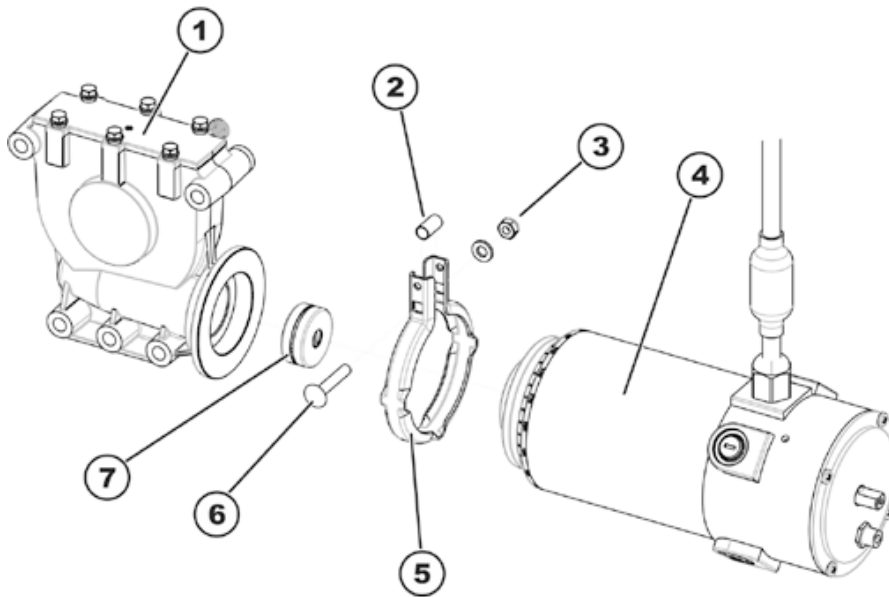
- Uninstall the motor / gearbox unit, as described in chapter 7.2.5.
- Use the 10 mm socket wrench to loosen and remove the self-securing nut (4).
- Remove the carriage bolt, which secures the sealing ring (2).
- Carefully bend the sealing ring apart and remove it.

**WARNING!**

**Danger of damage to the wheelchair if the coupling is not serviced correctly.**

- Be careful not to damage the coupling mechanism during maintenance work.

- Carefully pull the motor (3) and the gearbox (1) apart.
- Remove the component parts of the coupling.
- If necessary replace the coupling.

**Installing the motor / gearbox coupling:**

- Place the new clutch (7) on the motor axle. Pay attention to the position of the groove.
- Position the locking ring (5) on the motor (4) or the gearbox (1).
- Carefully insert the motor into the gearbox. Pay attention to the position of the groove in the axle of the gearbox. If necessary, rotate the motor and gearbox in the same position as before assembly.
- Insert the carriage bolt through the locking ring. Do not forget the spacer sleeve (2)!
- Install the washer and the self-locking nut.
- Do not tighten the self-locking nut completely, as the motor orientation must be adjusted during installation.
- Install the motor / gearbox unit, as described in chapter 7.2.5.



## 7.2.8 Replacing the carbon brushes (SSD motor)



### Note

The wheelchair can be equipped with 2- or 4-pole motors.  
Always replace all carbon brushes on both motors at the same time.  
Use only the same type of carbon brushes.



### ATTENTION: Danger of crushing to the hands and feet by the weight of the wheelchair!

- Pay attention to the hand and feet.
- Use proper lifting techniques.

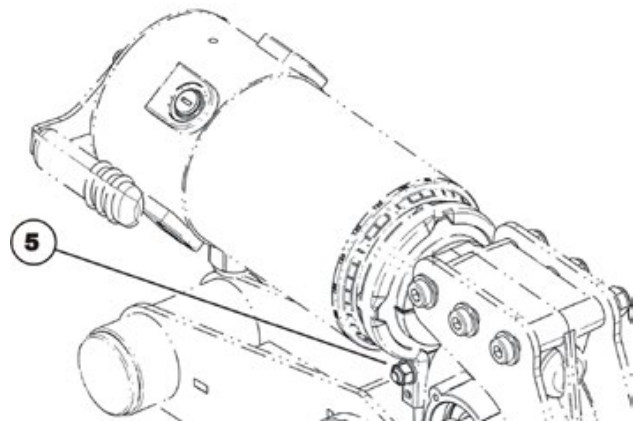
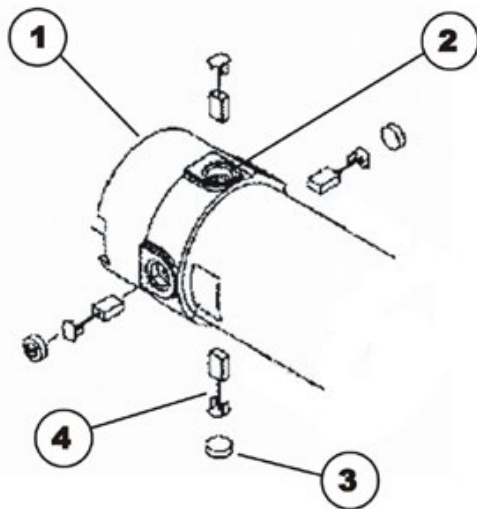


### Requirements:

- 6 mm Allen key
- 10 mm socket wrench
- Blade screwdriver
- Two oblong wooden blocks, at least 14 x 14 x 30 cm

### Uninstalling carbon brushes:

- Switch the wheelchair off.
- Remove the drive wheels, as described in chapter 7.15.



- Disconnect the motor (1) by setting the clutch lever or the clutch rotary knob (from 08/2014) to "push".



### Note

In the case of the SSD motor, you can undo the bolt (5) with a 10 mm socket spanner and then turn the motor around so that you can access the rear carbon brushes more easily.

- Loosen and remove all four plastic caps (3) using a blade screwdriver.
- Note the fixing position and location of the carbon brushes.

**Note**

Used carbon brushes need to be refitted exactly in the same position from which they were taken in order to guarantee optimum contact to the collector.

- Make a marking on the motor and the carbon brushes in order to guarantee correct refitting.
- Remove the carbon brushes completely from the mounting (2).
- Check the carbon brush and spring for the level of wear, broken components or discolouration.

**Refitting the carbon brushes:**

- Depending on the condition of the brush and the spring:
  - either replace the brushes in exactly the same position from which they were taken or
  - fit new brushes.
- Refit the plastic caps and tighten them firmly.
- Turn the motor into position so that the clutch lever or clutch rotary knob (from 08/2014) can be set either to the "push" or "drive" position.
- Now retighten the bolt (5) fingertight.
- Refit the drive wheels as described in chapter 7.15.

**Note**

The following procedure is necessary to run the carbon brushes in after replacement and thus guarantee maximum performance.

**WARNING: Risk of accidents!****Hazards to workers, surroundings and mobility device!**

- *Do not leave the mobility device unattended during the following procedure!*
- *Make sure that BOTH drive wheels are raised and CANNOT touch the ground.*
- *Secure the area.*

- Lift the mobility aid up on one side and get a second person to place a wooden block around 14 cm high underneath it so that the drive wheel is suspended freely.
- Also repeat this on the other side of the mobility aid.
- Allow the motors to run for an hour in forward direction.
- Allow the motors to cool down for 30 minutes.
- Allow the motors to run for an hour in reverse direction.
- Lift the mobility aid off the wooden blocks.

### 7.2.9 Replacing the drive wheel hub (SSD motor)

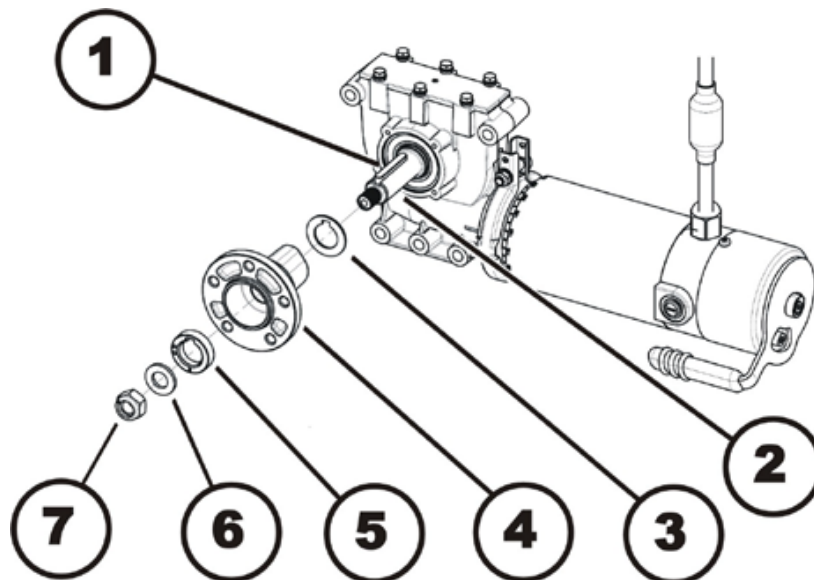
**CAUTION!**

**Possible material damage to mobility device! Collisions can be caused if the adjusting washers are removed during fitting work to the drive wheels!**

- *Adjusting washers are often fitted between the drive shaft and the wheel hub to even out tolerances. If these adjusting washers are removed and not replaced again, collisions can be caused.*
- *Always replace the adjusting washers exactly as they were before you started dismantling.*

**Requirements:**

- Torque wrench with 19 mm socket spanner
- Blade screwdriver
- Mounting kit

**Uninstalling a drive wheel hub:**

- Remove the hub cover with the screwdriver
- Use the 19 mm socket wrench to loosen and remove the nuts (7).
- Remove the washer (6).
- Remove the distance ring (5).
- Pull the wheel hub (4) off of the axle (2).
- Remove the shim ring (3).
- Remove the feather key (1) from the axle.

**Installing a drive wheel hub:**

---

**ATTENTION: Danger of injury if the wheels come off!****If the drive wheels are insufficiently attached during assembly, they can come off during driving.**

- *Tighten the nuts to 70 Nm when mounting the drive wheel hubs.*
  - *Always use new nuts with undamaged clamping parts.*
- 

- Assemble the parts of the wheel hub in reverse order.
- Use a thin film of lubricant to replace the wheel hub on the axle.

### 7.2.10 Fitting the clutch rotary knob (SSD motor)



**Note**

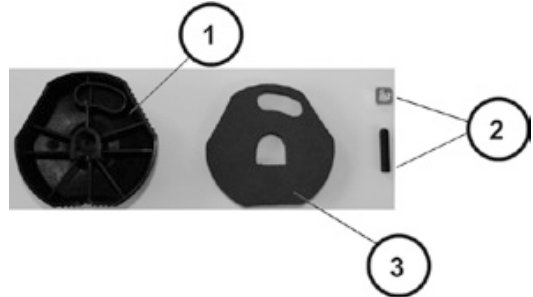
When replacing the clutch rotary knob, you must ensure that the correct fitting position is used during assembly.



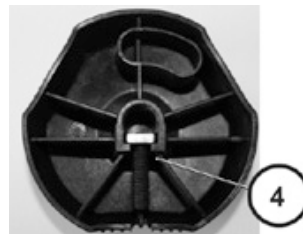
**Requirements:**

- 3 mm Allen key

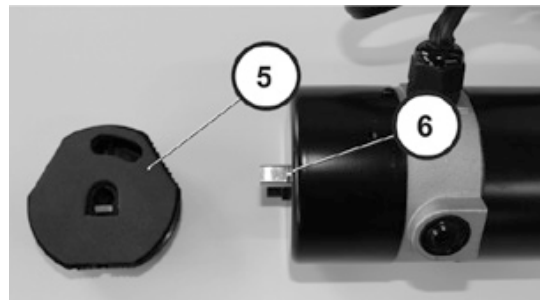
- Screw the shim on to the grub screw.
- Place the screw joint in the rotary knob (rear side (1)).



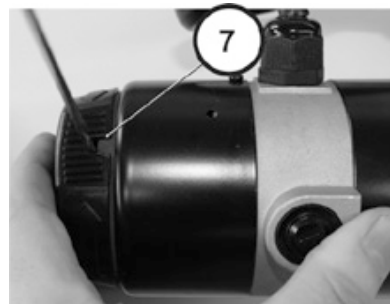
- Check to ensure that the screw joint (4) is positioned precisely in the rotary knob.
- Place the nonwoven fabric (3) in the rotary knob (rear side (1)).



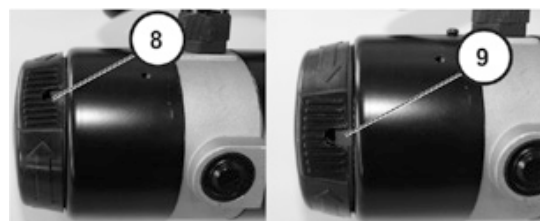
- When installing the rotary knob (5) ensure that the position (6) is correct.



- Tighten the bolt using a 3 mm Allen key.



- Checked to ensure that the clutch rotary knob can be turned to the "push" position (clockwise) and "drive" position (counterclockwise).



## 7.3 Replacing the electronics

The various electronics modules can be fitted to the mobility device with a range different remotes. The possible electronics modules are described in Chapter 4.2.

Replacement is described below using the Shark electronics module as an example. The course of action is the same for other electronics modules. The only difference is the terminal layout.



### WARNING!

**Any changes to the drive program can affect the driving characteristics and the tipping stability of the mobility device!**

- *Changes to the drive program may only be carried out by trained Invacare® specialist dealers!*
- *Invacare® can only give a warranty for safe mobility device driving behaviour - especially the tipping stability - for unaltered standard drive programs!*



### Note

All electronics modules are delivered with a standard drive program. If you have carried out customer-specific modifications to the drive program, you will have to make these changes again after installing the new electronics module.

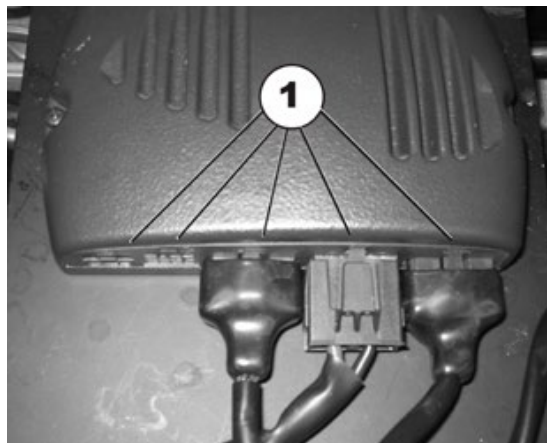


### Requirements:

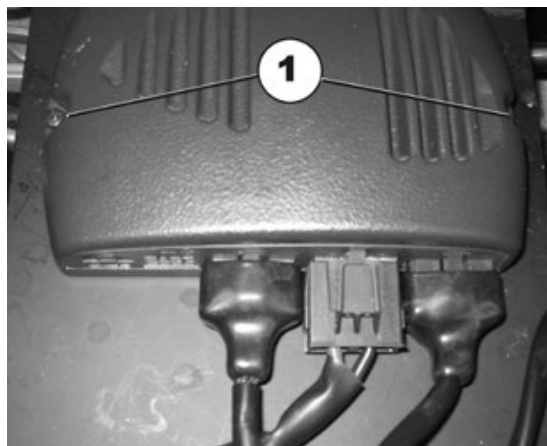
- Phillips screwdriver
  - To adapt the drive program:  
programming software or hand programming device and system installation manual, available from Invacare®.
- 
- Remove legrests.
  - Release seat (1) and tilt forwards.
  - Disconnect the remote bus cable from the electronics module or ACT.
  - Lift the seat out of the front anchorage and remove it. The seat has a heavy weight. Use proper lifting techniques.



- Remove all plugs (1) from the electronics module.
- Mark the positions of individual plugs for later reassembly.



- Loosen the screws (1) on both sides of the electronics module with the Phillips screwdriver and remove them.
- Remove the electronics module.



- Reassembly of the electronics module takes place in reverse order.
- Update the drive program if a new software version is available as described in Chapter 7.6.
- Adapt the drive program using the programming software if necessary.
- To complete, check all vehicle functions.

## 7.4 Replacing the G-Trac sensor



### Requirements:

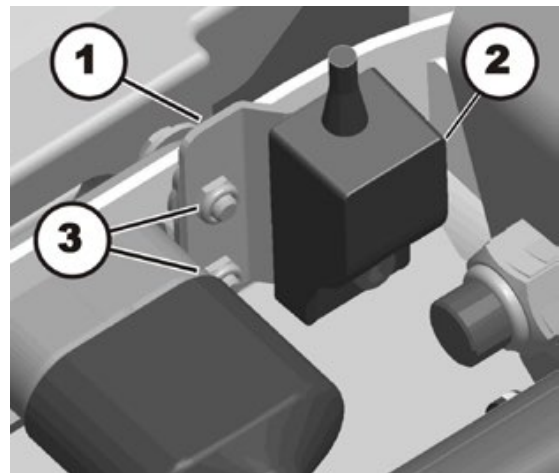
- 5 mm Allen key
- 10 mm socket wrench

- Switch the electronics OFF.
- Remove the legrests.
- Release the seat (1) and tilt forward.
- Disconnect the remote bus cable from the electronics module or ACT.
- Lift the seat up out of its forward mounting and remove completely. The seat has a heavy weight. Use proper lifting techniques.

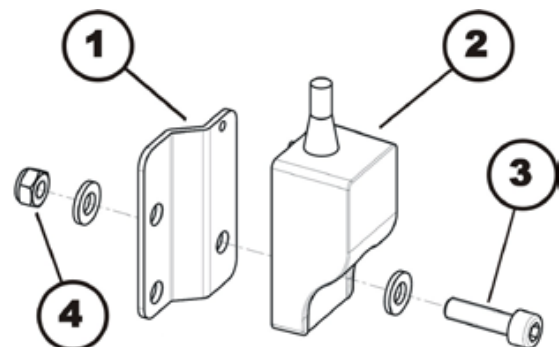


- Remove the battery boxes, as described in chapter 7.7.1.

- Disconnect the cable of the G-Trac sensor from the electronics module.
- Loosen and remove the nuts (3).
- Remove the G-Trac sensor holder (1) together with the G-Trac sensor (2).

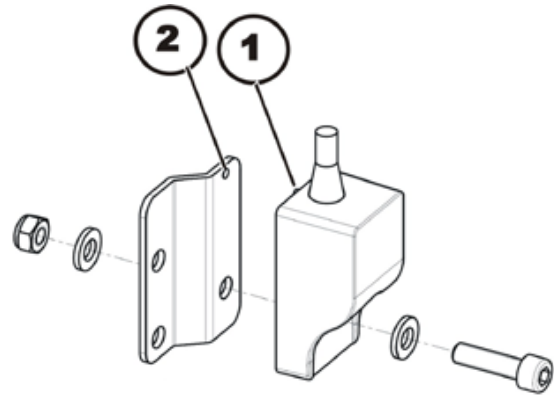


- Loosen and remove the self-locking nut (4) and Allen screw (3), including the washers.
- Remove the G-Trac sensor (2) from the G-Trac sensor holder (1).
- Replace the G-Trac sensor.





- Installation of the G-Trac sensor is done in reverse order.
- The G-Trac sensor must be installed with the cable pointing upwards. The sensor has a guide (2) that must fit exactly into the G-Trac sensor holder (1).
- Test all functions of the vehicle.



## 7.5 Operating hours counter

### 7.5.1 Replacing the operating hours counter



**Requirements:**

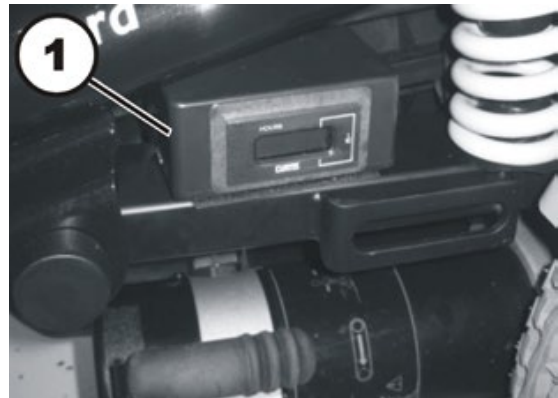
- Philipps screwdriver, size 2
- 10 mm open-end wrench

- Switch the electronics OFF.
- Remove the legrests.
- Release the seat (1) and tilt forward.
- Disconnect the remote bus cable from the electronics module or ACT.
- Lift the seat up out of its forward mounting and remove completely. The seat has a heavy weight. Use proper lifting techniques.

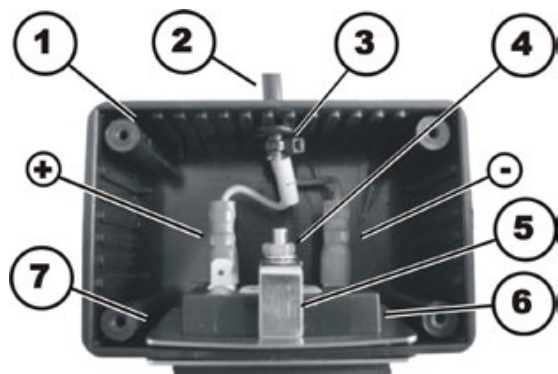


The operating hours counter is attached to the frame with a Velcro strip.

- Disconnect the cable of the operating hours counter from the drive motor.
- Pull the operating hours counter off of the frame.
- Turn the operating hours counter over.
- Loosen and remove the four Philipps head screws of the casing.



- Disconnect the plugs (+) & (-).
- Remove the nut (4) including the locking washer.
- Pull the operating hours counter (6) forwards out of the casing (1). Pay attention to the mounting bracket (5) and the retaining frame (7).
- Replace the operating hours counter.



**CAUTION!**

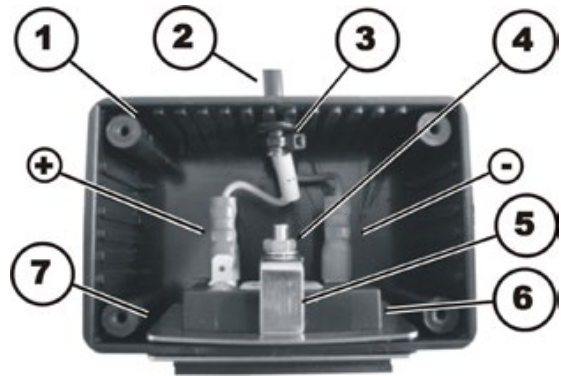
Property damage can result if the counter is wrongly connected. If the plus and minus wires are connected the wrong way, it will damage the electronic components of the operating hours counter.

- *Make sure the cable is connected correctly.*

- The operating hours counter is installed in reverse order.
- Connect the plug on the blue wire (-) to the pin on the operating hours counter which is marked with a "minus" symbol.
- Connect the plug on the brown wire (+) to the pin on the operating hours counter which is marked with a "plus" symbol.

The brown wire is additionally marked with a yellow sleeve with a "plus" symbol on it.

- Close the casing and reattach it to the wheelchair with the Velcro fastening.
- Reinstall all remaining components in reverse order.



### 7.5.2 Replacing the connecting cable of the operating hours counter



**Requirements:**

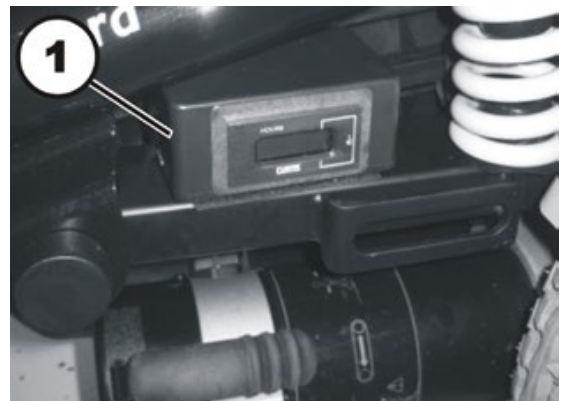
- Philipps screwdriver, size 2
- Side cutters
- Cable ties

- Switch the electronics OFF.
- Remove the legrests.
- Release the seat (1) and tilt forward.
- Disconnect the remote bus cable from the electronics module or ACT.
- Lift the seat up out of its forward mounting and remove completely. The seat has a heavy weight. Use proper lifting techniques.

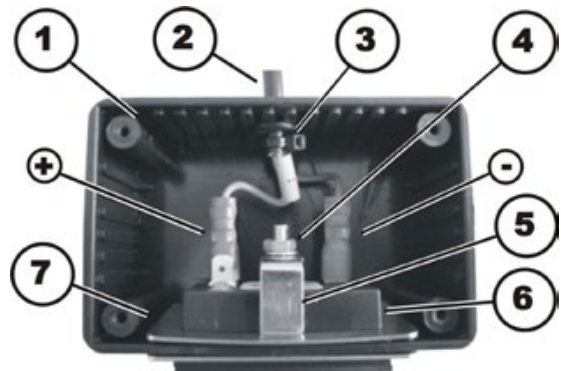


The operating hours counter is attached to the frame with a Velcro strip.

- Disconnect the cable of the operating hours counter from the drive motor.
- Pull the operating hours counter off of the frame.
- Turn the operating hours counter over.
- Loosen and remove the four Philipps head screws of the casing.



- Disconnect the plugs (+) & (-).
- Remove the cable ties (4).
- Carefully pull the connecting cable (2) of the operating hours counter out of the casing (1).
- Replace the cable of the operating hours counter.



**CAUTION!**

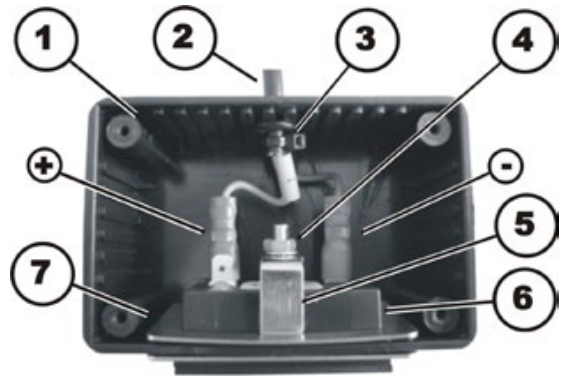
Property damage can result if the counter is wrongly connected. If the plus and minus wires are connected the wrong way, it will damage the electronic components of the operating hours counter.

- *Make sure the cable is connected correctly.*

- The cable of the operating hours counter is installed in reverse order.
- Connect the plug on the blue wire (-) to the pin on the operating hours counter which is marked with a “minus” symbol.
- Connect the plug on the brown wire (+) to the pin on the operating hours counter which is marked with a “plus” symbol.

The brown wire is additionally marked with a yellow sleeve with a “plus” symbol on it.

- Secure the cable with a cable tie (3), thereby protecting it from being pulled off unintentionally.
- Close the casing and reattach it to the wheelchair with the Velcro fastening.
- Reinstall all remaining components in reverse order.



## 7.6 Updating software

The drive programs for mobility devices are continually being further developed and improved by Invacare. For this reason, you should always check whether the drive program version number is up-to-date when carrying out any repairs or regular maintenance.

If a newer version is available, the drive program should be updated. The procedure for updating the drive program is described in the wizard software operating manual.

**Note**

The electronic system is supplied with a standard drive program. If the driving program has been customised, you have to perform this customisation again, after installing the new driving program. This also applies to the customer-specific options of the seat setting for ACS2 remotes, which are activated ex works.

---

**WARNING!**

**Any changes to the drive program can affect the driving characteristics and the tipping stability of the mobility device!**

- *Changes to the drive program may only be carried out by trained Invacare® specialist dealers!*
  - *Invacare® can only give a warranty for safe mobility device driving behaviour - especially the tipping stability - for unaltered standard drive programs!*
- 

**Requirements:**

- Dynamic® Wizard software
  - Operating manual for Wizard software
  - Further requirements, such as a minimum system configuration for the PC used for programming, required programming cables etc. can be taken from the Wizard software operating manual.
- 

**Note**

When an electrical adjustment option is retrofitted, such as electrical legrests, then this option needs to be activated in the driving program as well if you have an ACS2 remote. For more information, refer to the user manual of the Wizard software and the installation instructions for the electronic modules

---

## 7.7 Replacing batteries

---

**ATTENTION!****Injury hazard and possible material damages if batteries are handled improperly!**

- *The installation of new batteries may only be carried out by authorised specialists.*
  - *Observe the warning information on the batteries.*
  - *Only use battery versions stated in the specifications.*
- 

**ATTENTION!****Fire and burns hazard if battery terminal is bypassed!**

- *Please take great care to ensure that the battery terminals are never short-circuited with tools or mechanical mobility device parts!*
  - *Ensure that the battery terminal caps have been replaced if you are not working on the battery terminals.*
- 

**ATTENTION: Danger of crushing!****The batteries are extremely heavy. This results in injury hazards to your hands.**

- *Bear in mind that the batteries are sometimes very heavy!*
  - *Please handle the batteries with care.*
- 

**WARNING: BURN HAZARD!****Injury hazard due to discharged acid.**

- *Always wear acid-proof protective gloves when handling batteries.*
- *Always wear protective goggles when handling batteries.*

**What to do if acid is discharged:**

- *Always take clothing which has been soiled by or dipped in acid off immediately!*
- *Rinse any areas of your skin which has come into contact with battery acid off immediately with plenty of water!*

**If contact with eyes is made:**

- *Rinse the affected eye under running water for several minutes! You should also consult an eye specialist immediately afterwards!*
-

### 7.7.1 Removing the battery cases



**ATTENTION: Danger of crushing!**

The batteries are extremely heavy. This results in injury hazards to your hands.

- *Bear in mind that the batteries are sometimes very heavy!*
- *Please handle the batteries with care.*



**Note**

A spare fuse is located behind the Invacare logo on the rear battery.



- Pull the rear battery case backwards using the belt. The locking device opens automatically when doing so.



- Pull the battery cases out using the side handles.





- Pull the front battery case backwards using the belt and pull it out using the handles.



## 7.7.2 Removing the batteries



### ATTENTION!

**Fire and burns hazard if battery terminal is bypassed!**

- Please take great care to ensure that the battery terminals are never short-circuited with tools or mechanical mobility device parts!
- Ensure that the battery terminal caps have been replaced if you are not working on the battery terminals.



### ATTENTION: Danger of crushing!

**The batteries are extremely heavy. This results in injury hazards to your hands.**

- Bear in mind that the batteries are sometimes very heavy!
- Please handle the batteries with care.



### Requirements:

- Phillips screwdriver

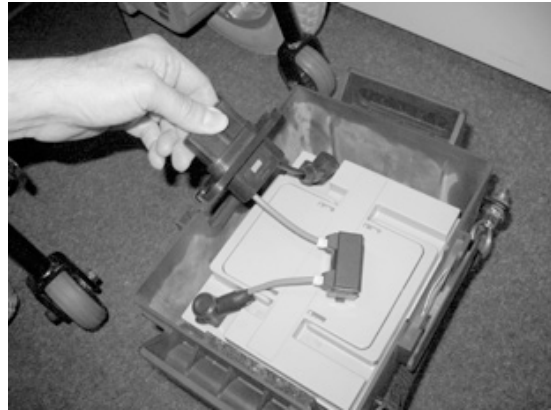
- Bend the tabs (1) on the cover lightly to the outside and loosen the battery case covers.



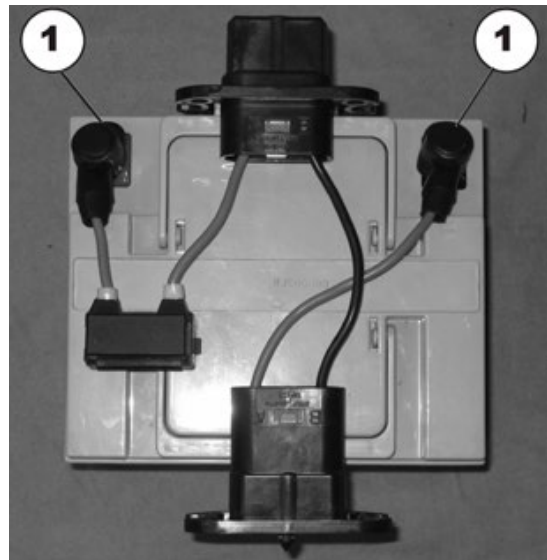
- Open the battery case (remove cover).



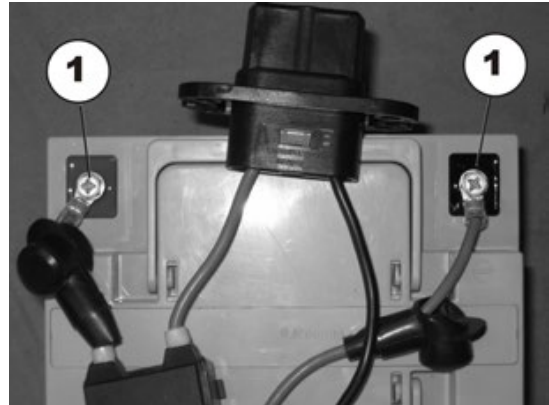
- Pull the battery case socket / plug out of the guide.
- The rear battery is only fitted with a battery case socket at the front.
- The front battery is fitted with a battery case socket at the front (flange central) and with a battery case plug at the rear (flange flush).
- Note the fixing position of the battery and the battery case sockets/plugs. The new battery must be refitted in exactly the same position as the old one.
- The batteries can be pulled upwards out of the battery cases by their handles.



- Remove the terminal cover from the battery terminals (1).

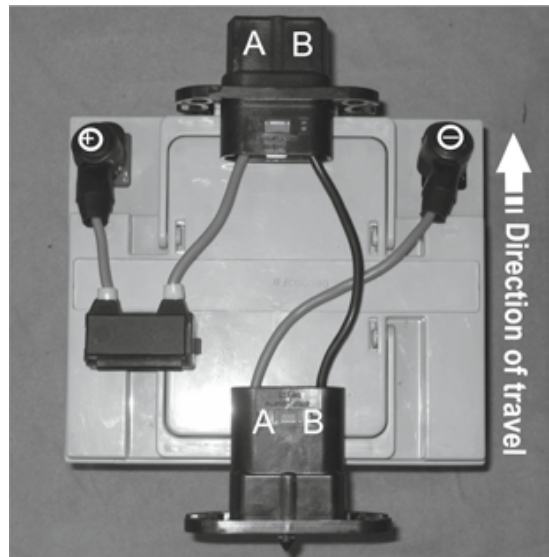


- Loosen the battery terminal clamps (1) with the Phillips screwdriver.
- First undo the screw on the negative terminal (black cable) with the Phillips screwdriver.
- After this, undo the bolt on the positive terminal (red cable).

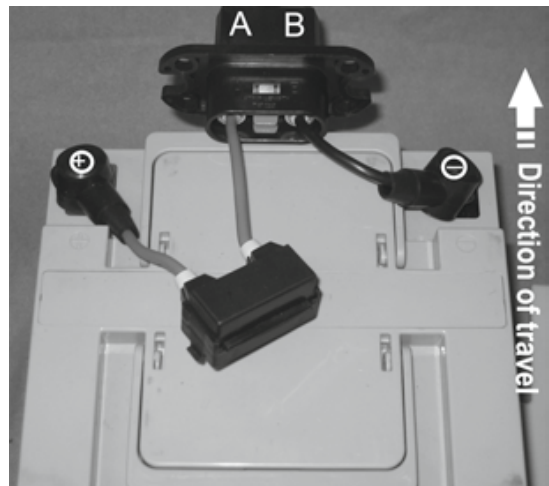


- Reassembly of the batteries takes place in reverse order
- Ensure that the battery cage sockets/plugs have been correctly refitted. A polarity diagram is located in each battery case cover.

- Front battery
- The battery case socket is located at the front (flange central).
- Socket side A is on the left in the direction of travel.
- Socket side B is on the right in the direction of travel.
- The battery case plug is located at the rear (flange flush).
- Plug side A is on the left in the direction of travel.
- Plug side B is on the right in the direction of travel.



- Rear battery
- The battery case socket is located at the front (flange central).
- Socket side A is on the left in the direction of travel.
- Socket side B is on the right in the direction of travel.



- The battery needs to be inserted tightly into the battery case. Use the foam sections supplied to ensure this.
- To complete, check all vehicle functions.

### 7.7.3 Correct handling of damaged batteries




---

#### WARNING: BURN HAZARD!

#### Injury hazard due to discharged acid.



- Always wear acid-proof protective gloves when handling batteries.



- Always wear protective goggles when handling batteries.

#### What to do if acid is discharged:

- Always take clothing which has been soiled by or dipped in acid off immediately!
- Rinse any areas of your skin which has come into contact with battery acid off immediately with plenty of water!

#### If contact with eyes is made:

- Rinse the affected eye under running water for several minutes! You should also consult an eye specialist immediately afterwards!
- 



#### Requirements:

- protective goggles
  - acid-proof gloves
  - acid-proof transport container
- 

- If handling damaged batteries, always wear suitable protective clothing.
  - Always deposit damaged batteries in suitable acid-proof containers immediately after removal.
  - Only transport damaged batteries in suitable acid-proof containers.
  - Always wash any objects which were contacted by acid in plenty of fresh water.
- 



#### Always dispose of used or damaged batteries correctly

Used and damaged batteries will be taken back by your medical equipment supplier or Invacare®.

---

## 7.8 Checking and replacing the main fuse



### CAUTION: Fire hazard!

A short circuit can cause extremely high currents which can result in spark formation and fire!

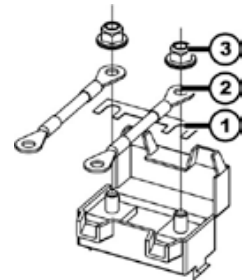
- Always use an original strip fuse with the approved amperage.
- If the main fuse has blown, first rectify the cause before fitting a new one.



### CAUTION: Fire hazard!

Fitting the incorrect strip fuse causes a fire hazard!

- Only fix the strip fuses in the sequence shown in the image on the right!
- Tighten the nuts with 3.3 to 3.5 Nm!



1. Strip fuse

2. Spade terminal

3. DIN 6923 nut



### Requirements:

- Phillips screwdriver
- Strip fuse
- socket spanner, 8 mm
- torque wrench 0-20 Nm (or similar)



### Note

A spare fuse is located behind the Invacare logo on the rear battery.

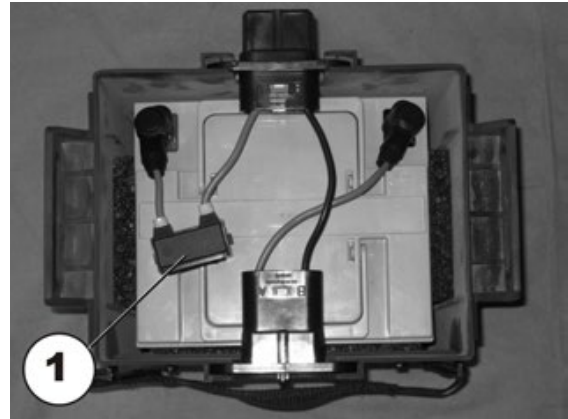


### Note

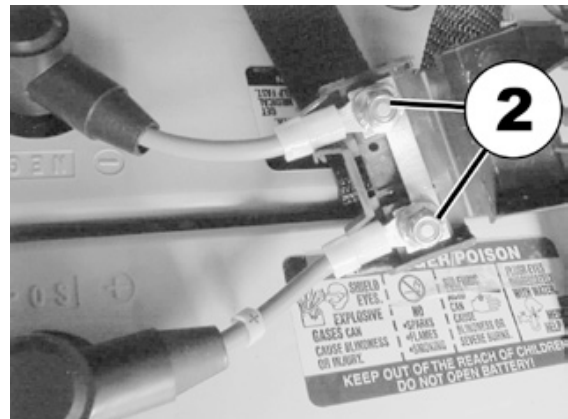
If the fuseholder is damaged, you can replace this complete with the battery cables.

- Remove both battery cases as described in Chapter 7.7.1.
- Remove the covers on both battery cases as described in Chapter 7.7.2.

- The fuseholder (1) is located on top of the batteries.
- Open the fuseholder cover.
- If the strip fuse has blown, you must first ascertain and rectify the cause of the fault.
- The main fuse may only be replaced once the fault has been rectified.



- Undo the strip fuse nuts (2) with the Phillips screwdriver.
- Replace the strip fuse.



- Reassembly takes place in the reverse order.
- To complete, check all vehicle functions.



## 7.9 Checking the cable

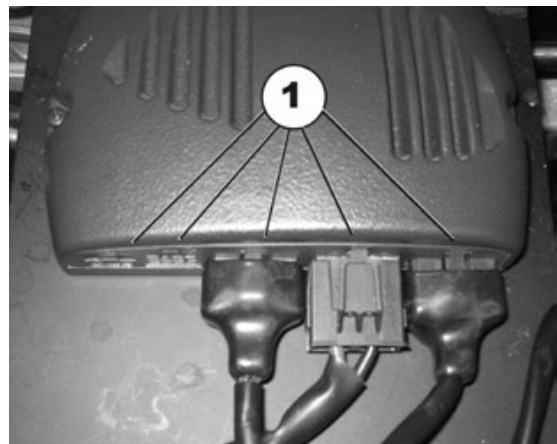
The following images show checking the cable using the Shark controller as an example. The plug positions are different for both the DX2 and VR2 controllers. The procedure for checking is otherwise identical.

The position of the plugs is described in Chapter 4.2.

- Remove legrests.
- Release seat (1) and tilt forwards.

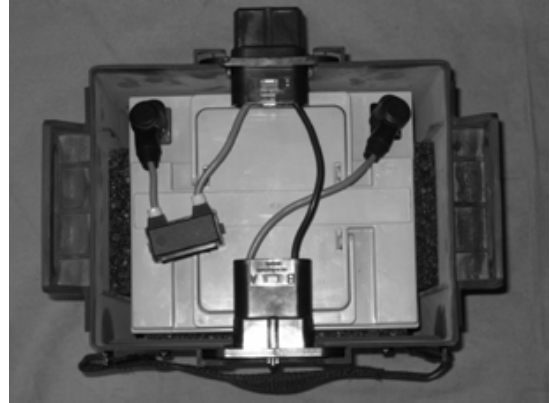


- Check all cables for visible damage and crushing. Replace damaged cables.
- Pull each plug (1) carefully. The plug should not come out of the socket.
- If the plug is loose, press the plug into the socket with slight pressure. The plug must engage.
- Check whether the plug is now firmly located in the socket, otherwise repeat the previous step.



- Remove both battery cases as described in Chapter 7.7.1.
- Remove the covers on both battery cases as described in Chapter 7.7.2.

- Check all battery cables for visible damage and crushing. Replace damaged cables.



- Reassembly takes place in the reverse order.
- To complete, check all vehicle functions.

## 7.10 Differences when replacing the REM24 remote



---

**Requirements:**

- To adapt the drive program: programming software or hand programming device and REM24 electronics system installation manual, available from Invacare®.
- 

**Note**

All REM24 remotes are delivered with a standard drive program. If you have carried out customer-specific modifications to the drive program, you will have to make these changes again after installing the new electronics module.

---

**WARNING!**

**Any changes to the drive program can affect the driving characteristics and the tipping stability of the mobility device!**

- *Changes to the drive program may only be carried out by trained Invacare® specialist dealers!*
  - *Invacare® can only give a warranty for safe mobility device driving behaviour - especially the tipping stability - for unaltered standard drive program!*
-

## 7.11 Lighting unit

### 7.11.1 Replacing front headlight completely (LED lighting unit)



#### Note

Replacing an individual LED is not possible. If there is a defect, replace the entire front headlight.



#### Requirements:

- Jaw spanner 7 mm
- Allen key 3 mm
- oblique pliers
- cable binder

The position of the plugs is described in Chapter 4.2.

- Remove legrests.
- Release seat (1) and tilt forwards.
- Disconnect the remote bus cable from the electronics module or ACT.
- Lift the seat out of the front anchorage and remove it. The seat has a heavy weight. Use proper lifting techniques.
- Remove both battery cases as described in Chapter 7.7.1.



- Remove the front headlight plug from the lighting PCB.
- Free the cable or remove any cable ties.
- Loosen the nut (2) with a 7 mm jaw spanner and a 3 mm Allen key.
- Remove the front headlight (1) from the lamp holder (3).



- Reassembly takes place in the reverse order.
- To complete, check all vehicle functions.

### 7.11.2 Replacing the front bulb holder (LED lighting unit)

**Requirements:**

- Jaw spanner 7 mm
- Allen key 3 mm
- TX25 torx screwdriver
- oblique pliers
- cable binder

- Loosen the nut (2) with a 7 mm jaw spanner and a 3 mm Allen key and remove.
- Remove the front headlight (1) from the lamp holder (3) and place it carefully to the side.



- Undo and remove the two screws (4) with a TX25 torx screwdriver.
- Replace the lamp holder (3).



- Reassembly takes place in the reverse order.
- To complete, check all vehicle functions.

### 7.11.3 Replacing the rear light completely (LED lighting unit)


**Note**

Replacing an individual LED is not possible. If there is a defect, replace the entire rear light.


**Requirements:**

- Phillips screwdriver
- TX40 torx screwdriver
- oblique pliers
- cable binder

The position of the plugs is described in Chapter 4.2.

- Remove legrests.
- Release seat (1) and tilt forwards.
- Disconnect the remote bus cable from the electronics module or ACT.
- Lift the seat out of the front anchorage and remove it. The seat has a heavy weight. Use proper lifting techniques.
- Remove both battery cases as described in Chapter 7.7.1.
- Remove the drive wheel as described in Chapter 7.15.



- Remove the rear light plug from the lighting PCB.
- Free the cable or remove any cable ties.
- Undo the Phillips screw (1) with a Phillips screwdriver and remove it together with the washer.
- Remove the rear light (1) from the splash guard and replace it.



- Reassembly takes place in the reverse order.
- To complete, check all vehicle functions.

### 7.11.4 Replacing the complete tail light assembly (conventional lighting system)

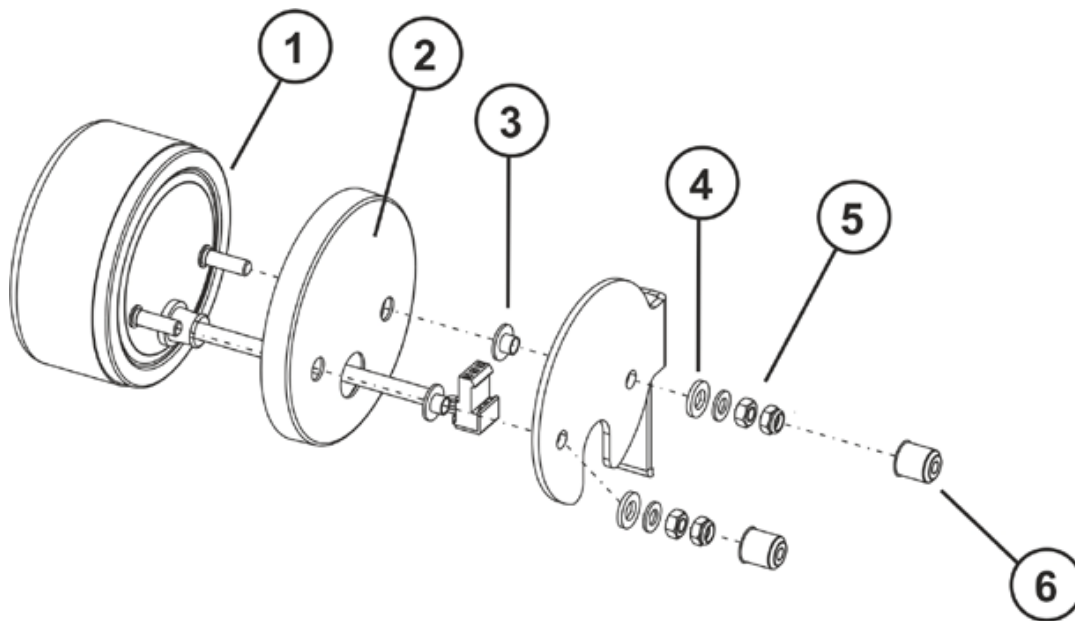


#### Requirements:

- 8 mm socket wrench

#### Uninstalling the tail light:

- Switch the electronics OFF on the remote.
- The position of the plugs is described in Chapter 4.2.
- Take exact note of the positions of all cables and the sockets that they are connected to. Mark the connectors and sockets or take a photograph with a digital camera.
- Disconnect the cable of the affected tail light from the lighting circuit board.



- Remove both plastic covers (6).
- Use the 8 mm socket wrench to loosen the four nuts (5).
- Remove the nuts and the washers (4).
- Pull the tail light (1) towards the rear and remove both bushings (3) including the lamp protector (2).

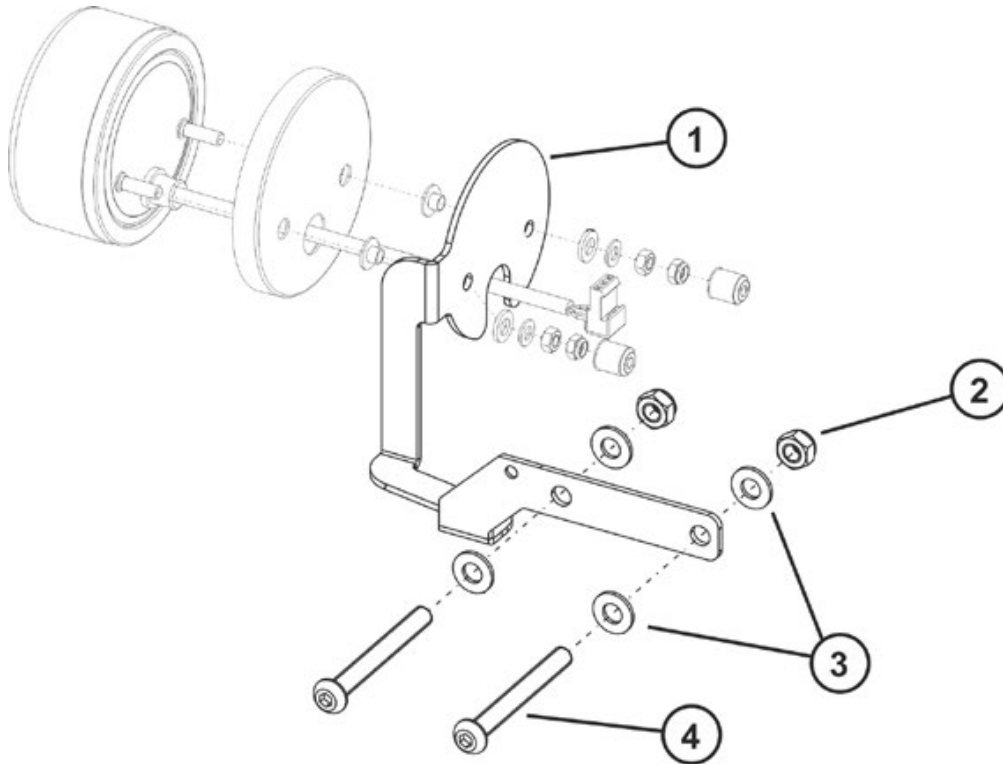
#### Installing the tail light:

- Assemble all parts again in reverse order.
- Tighten the screws hand-tight.
- Check all vehicle functions.

### 7.11.5 Replacing the tail light bracket (conventional lighting system)

**Requirements:**

- 5 mm Allen key

**Uninstalling the tail light bracket:**

- Remove the complete tail light, as described in chapter 7.11.4.
- Loosen the two Allen screws (4) with a 5 mm Allen key and remove these including the washers (3) and self-locking nuts (2) from the battery support.
- Replace the lamp bracket (1).

**Installing the headlight bracket:**

- Slide the lamp bracket (1) between the frame and battery support.
- Assemble all parts again in reverse order.
- Check all vehicle functions.



## 7.12 Anti-tipping mechanism

### 7.12.1 Replacing the anti-tipping mechanism with screw

**CAUTION!**

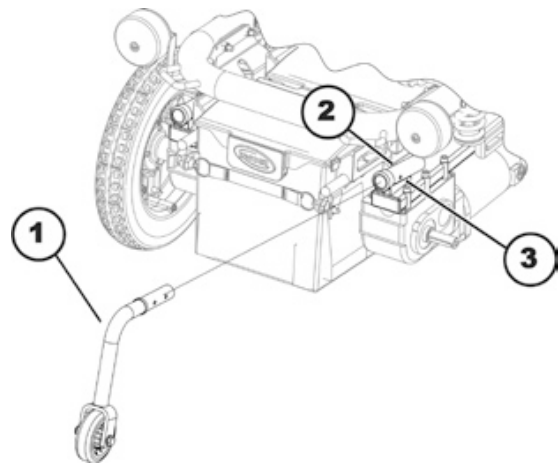
**Danger of tipping over if the anti-tipping mechanism is incorrectly installed.**

- Always install the anti-tipping mechanism in the first drill hole (long adjustment) on a wheelchair with a lifter.

**Requirements:**

- 10 mm socket wrenches (two of them)

- Loosen and remove the self-securing nut (3).
- Remove screw.
- Pull the anti-tipping mechanism (1) rearward out of the support tube (2).
- Insert the anti-tipping mechanism into the support tube.
  - Wheelchair with a lifter:  
first drill hole (long adjustment)
  - Wheelchair without a lifter:  
second drill hole (short adjustment)
- Insert screw.
- Re-position the self-securing nut and tighten.



### 7.12.2 Replacing the anti-tipping mechanism with locking spring



#### CAUTION!

**Danger of tipping over if the anti-tipping mechanism is installed using a locking spring on a chair with a lifter.**

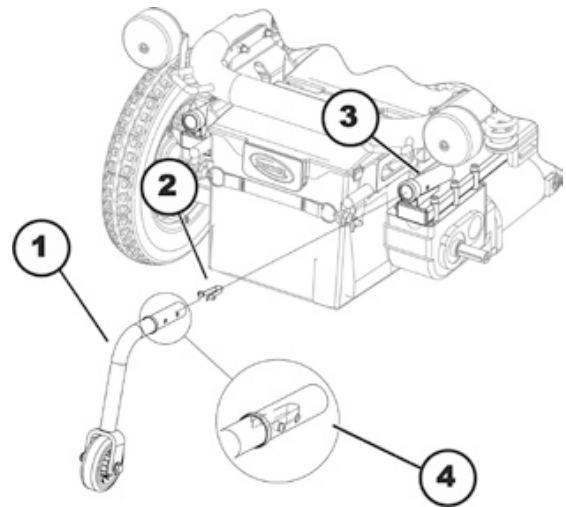
- Always install the anti-tipping mechanism using a screw in the first drill hole (long adjustment) on a chair with a lifter, as described in chapter 7.12.1.



#### Requirements:

- Bar or Stab Phillips screwdriver

- Press the locking spring (2) together. Only the bolts in the support tube (3) are visible.
- Pull the anti-tipping mechanism out (1).
- Check the locking spring.
- Replace the locking spring if it is broken or has insufficient tension.
- Replace the anti-tipping mechanism.
- Insert the (possibly new) locking spring (4) into the anti-tipping mechanism up to the second hole.
- Insert the anti-tipping mechanism into the support tube. To do this, press the locking spring together slightly.
- Insert the anti-tipping mechanism into the support tube as far as it will go.
- Make sure that the locking spring latches into the holes provided for this purpose in the support tube.



### 7.12.3 Replacing a defective locking spring

**CAUTION!**

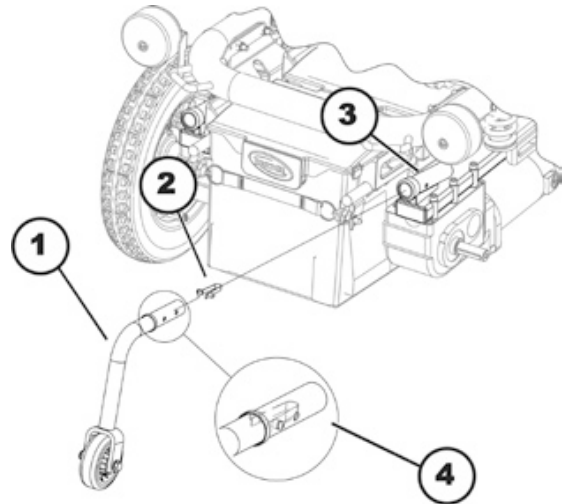
**Danger of tipping over due to defective locking springs. Defective locking springs can lead to loss or failure of the anti-tipping mechanism!**

- Check carefully that the locking springs are intact.

**Requirements:**

- A rod or Phillips screwdriver

- If necessary press the defective locking spring together.
- Pull the anti-tipping mechanism (1) rearward out of the support tube (3).
- Remove the defective locking spring. If it is not possible to remove the defective locking spring, push the defective locking spring (2) into the support tube using the rod or Phillips screwdriver.
- Insert a new locking spring (4) into the anti-tipping mechanism up to the second hole.
- Insert the anti-tipping mechanism into the support tube again as far as it will go. To do this, press the locking spring together slightly.
- Make sure that the locking spring latches into the holes provided for this purpose in the support tube.



## 7.13 Replacing the steering head bearings on the steering wheels



**ATTENTION: Danger of crushing to the hands and feet by the weight of the wheelchair!**

- Pay attention to the hand and feet.
- Use proper lifting techniques.

**Danger of injury due to uncontrolled movement of the wheelchair!**

- Switch the vehicle's power system off (ON-/OFF key).
- Engage the drive.
- Before raising the vehicle, secure the wheels by blocking them with wedges.



**CAUTION!**

**Incorrect reassembly can damage the bearings and cause the steering wheels to fall out!**

*The single-row angular ball bearing rings are not identical on both sides! There is only one correct way to insert them!*

- Follow the assembly instructions precisely!



**Requirements:**

- open-ended spanner, 19 mm
- Torque wrench
- large screwdriver, flat
- wooden block (approx. 12 x 12x 30 cm for propping up vehicle)



**Note**

When disassembling, take care of small parts such as screws and washers. Put all small parts down so that they can be reassembled in the right sequence.

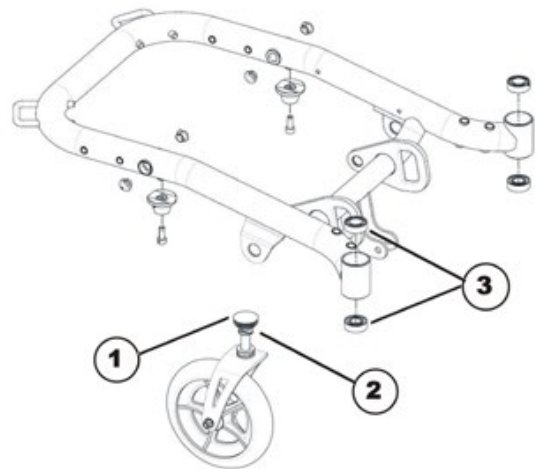
- Place the wooden block under the vehicle on the side on which the ball bearing is to be replaced.
- The wheel on the side where the bearing is to be replaced must have enough ground clearance to enable it to be pulled out of the bearing.
- Secure the vehicle against rolling away.
- Carefully remove the plastic cap (1) with the large screwdriver.



- Loosen the 19 mm nut (1) with the socket spanner and remove it. Hold the wheel so that it does not rotate when the nut is being removed.
- Pull the steering head shaft upwards out of the steering head tube.
- Take the washers out of the tube.
- Take the ball bearing out of the tube.



- The adjacent figure shows an overview of the individual parts.
- Plastic cap
- 19 mm nut
- Ball bearing



- Reassembly takes place in reverse order to disassembly
- Ensure that you insert the ball bearings exactly as described below.
- Also ensure that the washers are correctly replaced.



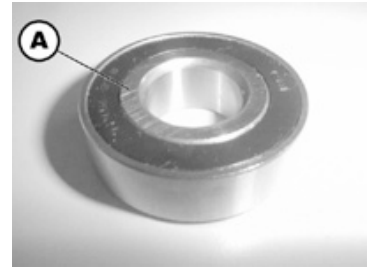
**CAUTION!**

**Incorrect reassembly can damage the bearings and cause the steering wheels to fall out!**

*The single-row angular ball bearing rings are not identical on both sides! There is only one correct way to insert them!*

- *The bearings must always be assembled so that the narrow borders of the ball bearings are facing each other (inside)!*
- *The steering head bolts and nuts must always be pressing against the wide (outside) border of the ball bearings! Otherwise, the bearings will be pressed apart and damaged by the bolts!*

The illustrations show the wide border of the ball bearing on the outside of the ball race (A) and the narrow ball bearing edge on the inside (B).



After assembly, the steering wheels should rotate freely but the bearings should have no play.

- First tighten the nuts to 20 Nm +/- 2 Nm.
- Then loosen them slightly.
- Then retighten to 15 Nm +/- 1.5 Nm.



## 7.14 Repairing punctures



**WARNING:** Injury hazard if the vehicle starts moving unintentionally during repair work!

- Switch the power supply off (ON/OFF key).
- Engage the drive.
- Before raising the vehicle, secure the wheels by blocking them with wedges.



**ATTENTION:** Danger of crushing to the hands and feet by the weight of the wheelchair!

- Pay attention to the hand and feet.
- Use proper lifting techniques.

### 7.14.1 Repairing the rear tyre (wheel size 3.00-8")



#### Requirements:

- Torque wrench with
  - Allen key-Bit 5 mm
  - Torx-Bit R40
- Mounting kit
- wooden block (approx. 12 x 12x 30 cm for propping up vehicle)
- Repair kit for tyre repair **or** a new inner tube.
- Talcum powder

#### Dismantling the wheel:

- Lift the vehicle up and place a wooden block underneath it to keep it in a raised position.
- Remove the four countersunk head screws TX40 (1) using the Torx bit.
- Pull the wheel from the hub

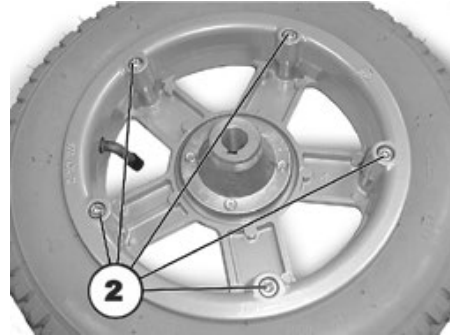


**Repairing the tyre:****ATTENTION: Explosion hazard!**

The wheel will explode if you do not let the air out of the tyre before removing the wheel rim!

- Always allow the air to escape completely from the wheel before you remove the rim.

- Remove valve cap.
- Exhaust the air from the tyre by pressing the spring pin in the valve.
- Remove the 5 cylinder head bolts (reverse side of the wheel, 2) using the Allen key.
- Remove the rim halves from the tyre.
- Remove the inner tube from the tyre.
- Repair inner tube and replace, or insert new.

**Note**

If the old inner tube is to be repaired and re-used, and has become wet during repair, you can make replacement easier by sprinkling the inner tube with a little talcum powder.

**Note**

Refit the wheel in reverse order. Please ensure that the wheel is re-fitted on the same side and in the same running direction as removed.

- Re-insert the rim halves into the tyre.
- Pump a little air into the tyre.
- Insert the socket head screws into the rim and tighten the screws to 10 Nm. Make sure the inner tube is not crushed between the two rim halves.
- Make sure that the tyre is situated directly on the rim.
- Inflate the tyre to the recommended pressure.
- Check that the tyre is still situated directly and correctly on the rim.
- Screw the valve cap back on.

**Installing the wheel:****ATTENTION: Danger of injury if the wheels come off!**

If the drive wheels are insufficiently attached during assembly, they can come off during driving.

- Tighten the TX40 countersunk screws to 30 Nm when mounting the drive wheels.
- Always use new screws with undamaged coating.

- Re-install the wheel.
- Insert the four new countersunk screws and tighten them to a torque of 30 Nm.



### 7.14.2 Repairing a flat tyre (wheel size 280/250-4)

**Requirements:**

- Allen key 6m
- jaw spanner 13 mm
- 2 x small ring spanners or flat screwdrivers (for pulling off tyres)
- Repair kit for tyre repair **or** a new inner tube.
- Talcum powder

**Removing the wheel:**

- Block up the vehicle (place wooden blocks under frame).
- Undo the bolt (1) and remove it using the Allen key on one side and the jaw spanner on the other (as a counter).
- Pull the wheel out of the fork.

**Note**

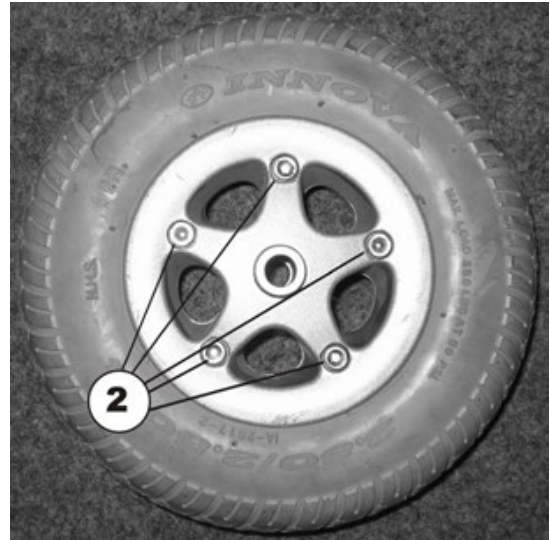
Re-assembly is done in reverse order. Ensure that the tyre is replaced on the same side and in the same travel direction as it was previously mounted.

**Repairing the flat tyre:****ATTENTION: Explosion hazard!**

**There is considerable pressure in the tyre. Danger of injury! Parts can be thrown out and injure you if you do not evacuate all the air from the tyre.**

- *Press the release pin in the valve inwards and evacuate all the air from the tyre.*

- Unscrew valve cap.
- Depressurise tyre by pressing in the pin in the valve.
- Unscrew the 5 Allen screws (back of the wheel, 2).
- Remove the rim halves from the tyre.
- Remove the inner tube from the tyre.
- Repair inner tube and replace, or insert new.

**Note**

If the old inner tube is to be repaired and re-used, and has become wet during repair, you can make replacement easier by sprinkling the inner tube with a little talcum powder.

- Put the tyre back on the rim.
- Ensure that the tyre outer is seated correctly.
- Pump the tyre up to the prescribed pressure.
- Check that the tyre is seated correctly once again.
- Screw the valve cap back on.
- Refit the wheel.

## 7.15 Replacing a drive wheel



**ATTENTION: Danger of crushing to the hands and feet by the weight of the wheelchair!**

- Pay attention to the hand and feet.
- Use proper lifting techniques.



**WARNING: Injury hazard caused by uncontrolled movement of the mobility device!**

- Switch the power supply off (ON/OFF key).
- Engage the drive.
- Before raising the vehicle, secure the wheels by blocking them with wedges.
- Prevent the mobility device tipping by propping it up on a wooden block which is long and wide enough under the battery case! If the wooden block is too short or too high, the mobility device can still tip!



### Requirements:

- Torx TX40 spanner
- Mounting kit
- wooden block (approx. 12 x 12 x 30 cm) for propping up vehicle



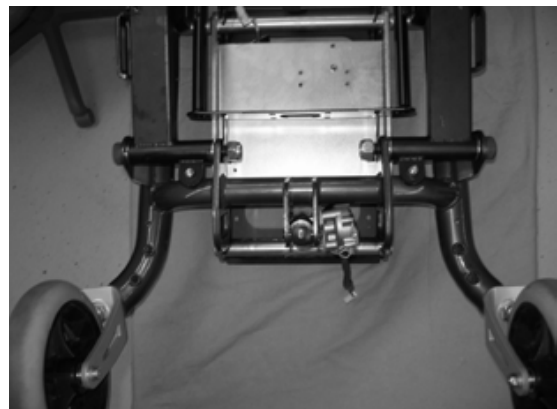
### Note

Take careful note of small parts and the sequence in which components are fitted. Arrange these carefully so that they are always refitted in the correct sequence.

- Remove legrests.
- Release seat (1) and tilt forwards.
- Disconnect the remote bus cable from the electronics module or ACT.
- Lift the seat out of the front anchorage and remove it. The seat has a heavy weight. Use proper lifting techniques.



- Remove both battery cases as described in Chapter 7.7.1.
- Place the vehicle upside down so that the wheels are facing upwards. The vehicle has a heavy weight. Use proper lifting techniques.



- Under the 4 bolts which secure the wheel (1) using the Torx TX40 spanner.
- Remove the wheel from the hub.



- Reassembly takes place in the reverse order.



---

**ATTENTION: Danger of injury if the wheels come off!**

If the drive wheels are insufficiently attached during assembly, they can come off during driving.

- Tighten the TX40 countersunk screws to 30 Nm when mounting the drive wheels.
- Always use new screws with undamaged coating.



---

**Note**

Refit the wheel in reverse order.

Please ensure that the wheel is re-fitted on the same side and in the same running direction as removed.

---

## 7.16 Replacing the splash guard



**ATTENTION: Danger of crushing to the hands and feet by the weight of the wheelchair!**

- Pay attention to the hand and feet.
- Use proper lifting techniques.

**Injury hazard caused by uncontrolled movement of the mobility device!**

- Switch the power supply off (ON/OFF key).
- Engage the drive.
- Before raising the vehicle, secure the wheels by blocking them with wedges.
- Prevent the mobility device tipping by propping it up on a wooden block which is long and wide enough under the battery case! If the wooden block is too short or too high, the mobility device can still tip!



### Requirements:

- 5 mm Allen key
- Mounting kit
- wooden block (approx. 12 x 12 x 30 cm) for propping up vehicle



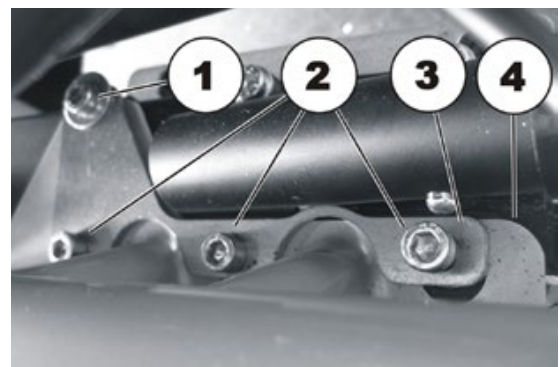
### Note

If the splash guard is replaced, the existing motor bracket screws are reused. Ensure that the screws are inserted in the correct position.

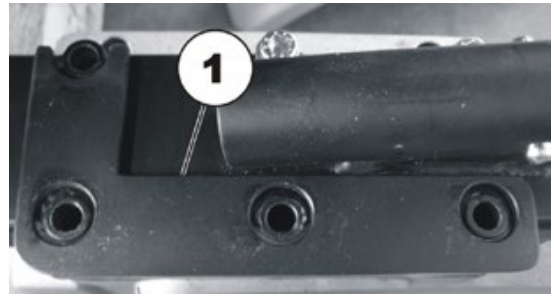
- Remove legrests.
- Release seat (1) and tilt forwards.
- Disconnect the remote bus cable from the electronics module or ACT.
- Lift the seat out of the front anchorage and remove it. The seat has a heavy weight. Use proper lifting techniques.
- Remove both battery cases as described in Chapter 7.7.1.



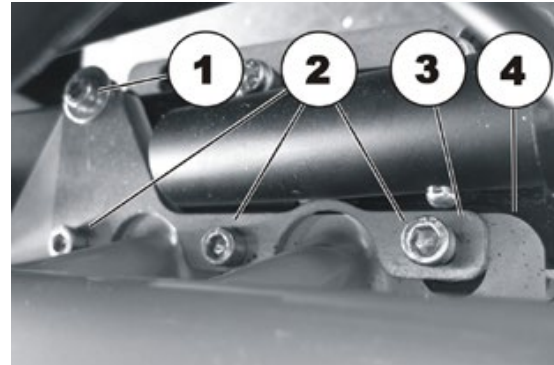
- Undo and remove the four screws (1) & (2) on the motor bracket which hold the splash guard (4) using a 5 mm Allen key.
- Remove the reinforcing plate (3).
- Remove and replace the splash guard.



- A further reinforcing plate (1) is located under the splash guard.



- Reassembly takes place in the reverse order. When reassembling, ensure that screw (1) is shorter than screw (2).



## 7.17 Seat system

### 7.17.1 Checking an adjusting motor

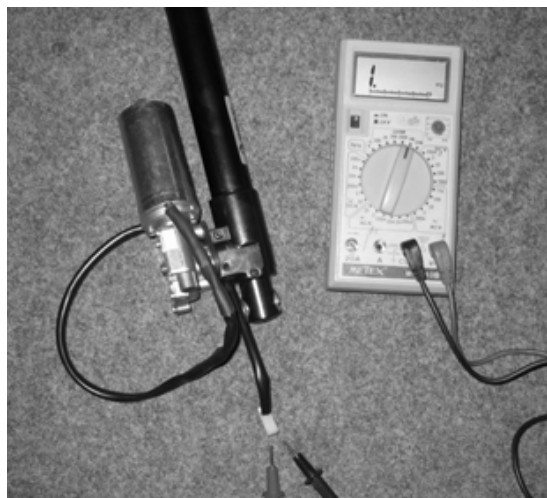
**Requirements:**

- Multimeter

- Remove legrests.
- Release seat (1) and tilt forwards.
- Remove the adjusting motor plug from the electronics module or ACT (see Chapter 4.2).



- Check the electrical resistances at the adjusting motor plug (1). The plug may have a different shape to that shown in the picture.
- If the resistance is close to infinity, the motor is probably burnt out.
- If the resistance is below 1 W, the motor has a short-circuit.
- The motor must be replaced in both cases.



### 7.17.2 Replacing the seat tilting (wheelchair without lifter)


**Note**

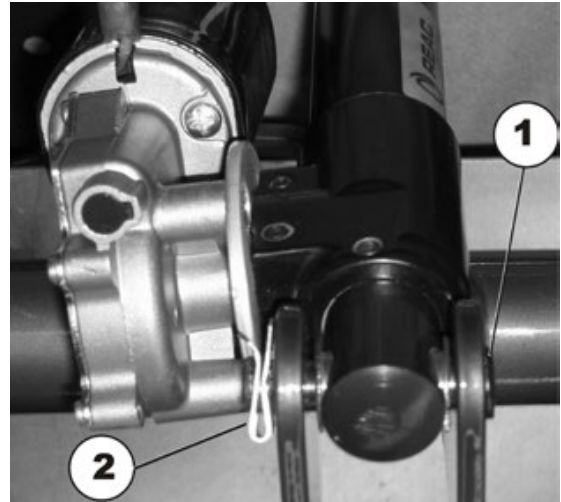
When an electrical adjustment option is retrofitted, then this option needs to be activated in the driving program as well if you have an ACS2 remote.


**Requirements:**

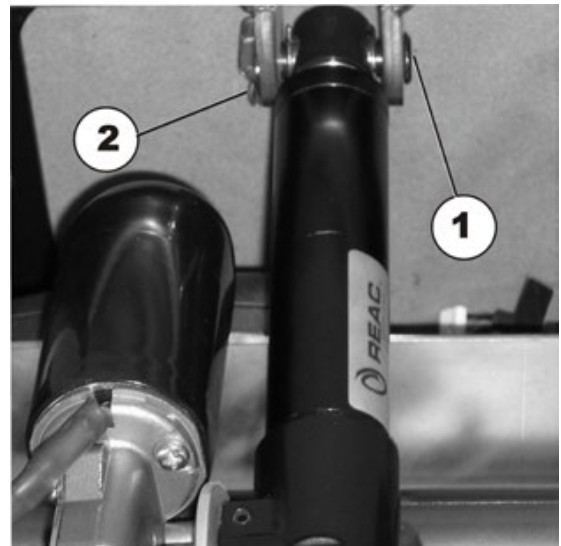
- flat screwdriver, blade width approx. 6 mm
  - oblique pliers
  - small hammer
  - cable binder
- 
- Remove legrests.
  - Release seat (1) and tilt forwards.
  - Disconnect the remote bus cable from the electronics module or ACT.
  - Lift the seat out of the front anchorage and remove it. The seat has a heavy weight. Use proper lifting techniques.
- 
- Remove both battery cases as described in Chapter 7.7.1.
  - Pull the adjusting motor plug out of the electronics module.
  - The adjusting motor cable is secured inside the frames with cable ties. Remove the cable ties with the oblique pliers.



- Remove the SL fuse (2) on the bottom fixing bolt (1) with the screwdriver.
- Pull the fixing bolt (1) out.



- Remove the SL fuse (2) on the top fixing bolt (1) with the screwdriver.
- Pull the fixing bolt (1) out.



- Pull the adjustment spindle with adjusting motor out.
- Insert a new adjustment spindle with adjusting motor.
- Reinsert the fixing bolts and SL fuses. Fix the SL fuses securely to the fixing bolt with the hammer.
- Reinsert the adjusting motor plug into the electronics module.
- Secure the adjusting motor cable to the frame with cable ties. The cable must be routed so that it does not rub or get trapped.
- To complete, check all seat tilting functions.

### 7.17.3 Replacing the lifter



**Note**

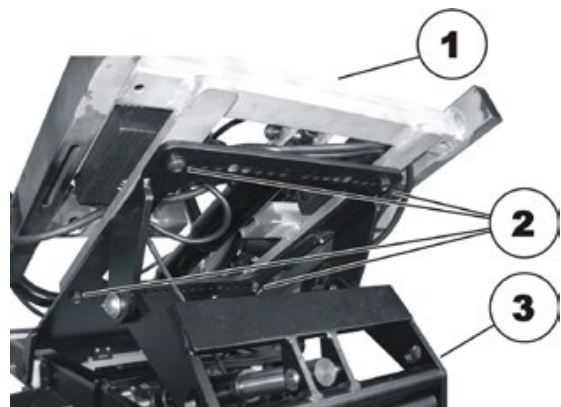
When an electrical adjustment option is retrofitted, then this option needs to be activated in the driving program as well if you have an ACS2 remote.



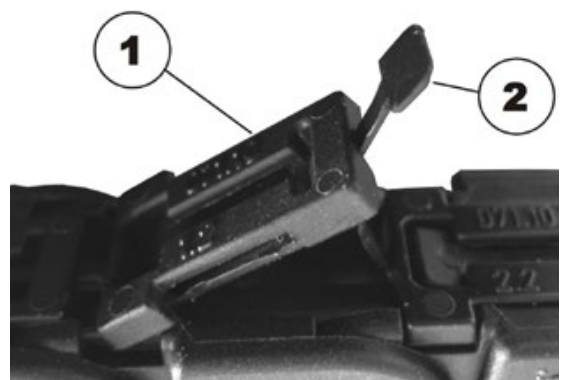
**Requirements:**

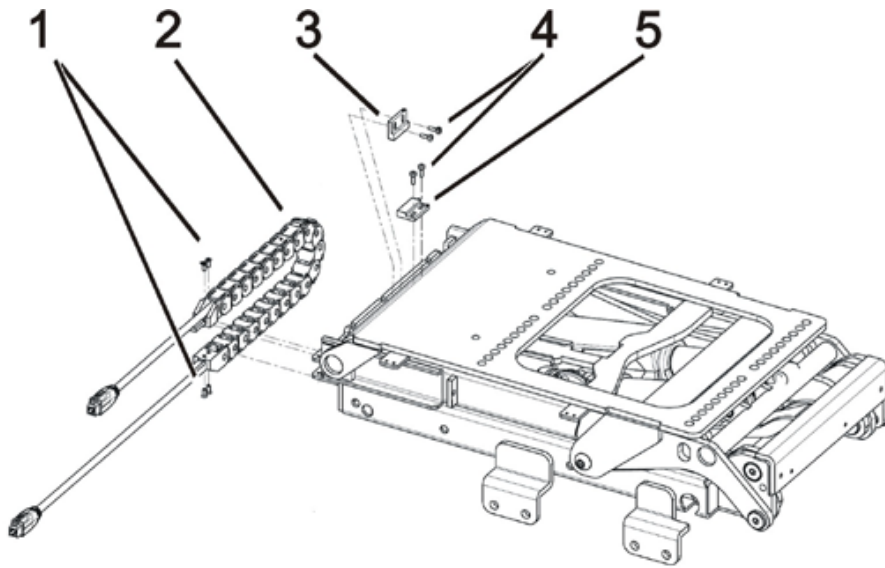
- small blade screwdriver
- 13 mm jaw spanner
- 24 mm jaw spanner
- 6 mm jaw spanner
- 24 mm ring spanner
- Allen key 5 mm
- oblique pliers
- cable binder

- Run the lifter up to the top position if possible.
- Tilt the seat tilting completely to the rear if possible.
- Remove legrests.
- Remove all plugs from the electronic module and actuator module.
- Loose and remove the four screws (2) with a 13 mm jaw spanner.
- Lift the seat support (1) down from the lifter (3).



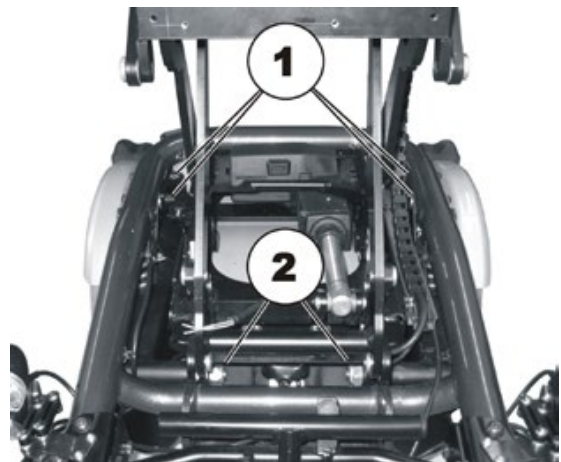
- Remove both battery cases as described in Chapter 7.7.1.
- Open the lifter energy chain. To this, lift the cover (1) up on each chain link and pull the clip (2) out.
- Pull the cable out of the chain and expose completely.





- Use the Phillips screwdriver to loosen the screws (1).
- Remove the power supply chain (2).
- Use the Phillips screwdriver to loosen the screws (4).
- Additionally the sensor (5) is secured with nuts. Loosen the nuts while holding a 6 mm wrench against.
- Remove the magnet (3).
- Remove the sensor (5).

- Loosen the four bolts (1) with a 5 mm Allen key and a 13 mm jaw spanner and remove.
- Loosen the two bolts (2) with a 24 mm jaw spanner and a 24 mm ring spanner and remove.
- Lift the lifter out of the vehicle frame and replace.



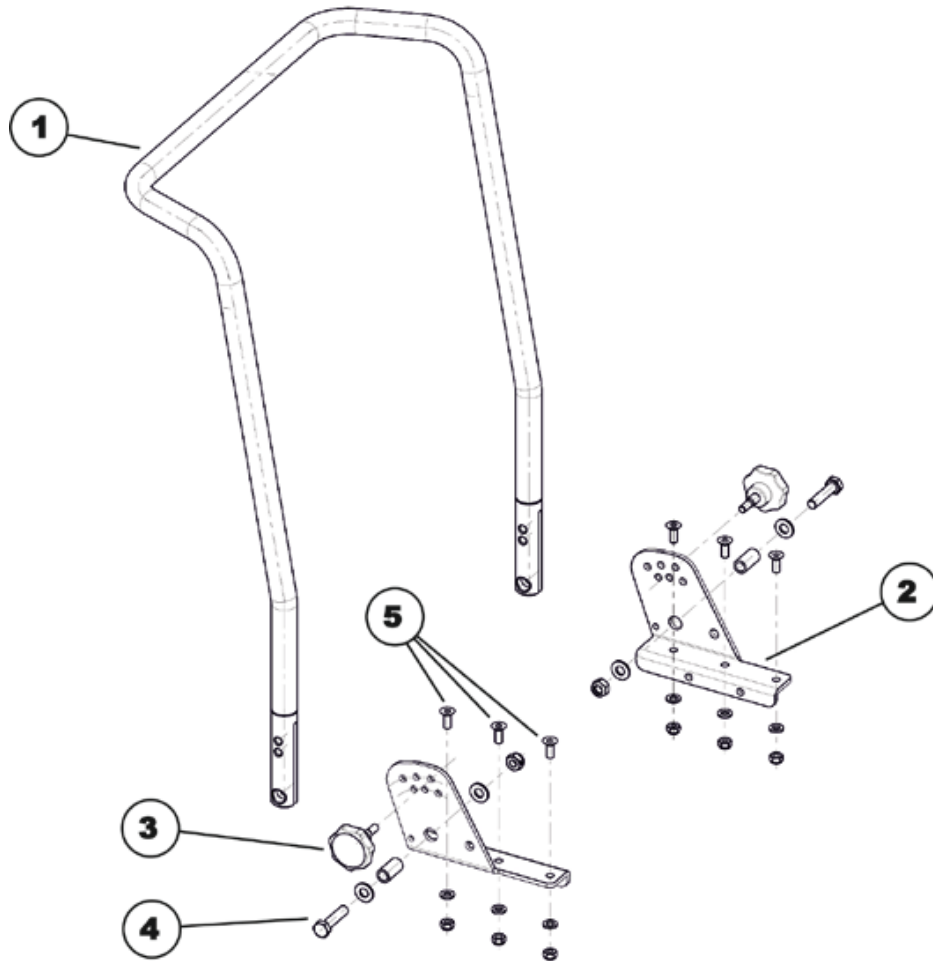
- Reassembly takes place in the reverse order.
- To complete, check all vehicle functions.

## 7.18 Backrest unit

### 7.18.1 Replacing the standard backrest


**Requirements:**

- 5 mm Allen key
- open-ended spanner, 10 mm
- open-ended spanner, 13 mm


**Dismantling the backrest unit:**

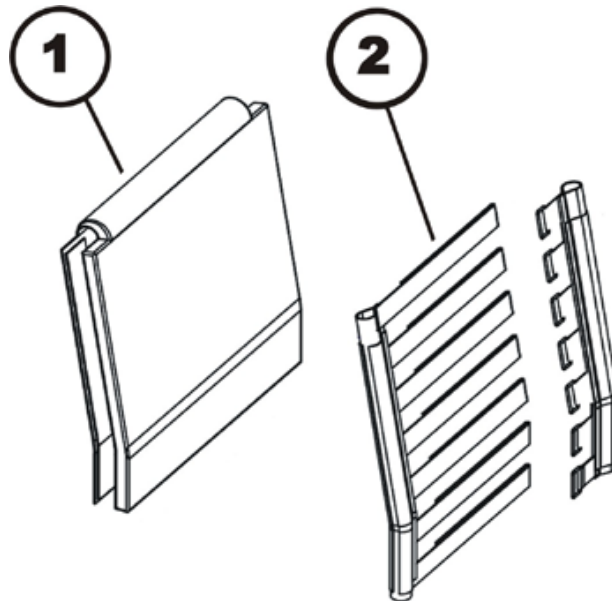
- Remove the backrest cushion.
- Undo and remove the handwheels (3).
- Use two 13 mm socket spanners to undo the bolts (4) including the nuts and washers on the left-hand and right-hand side of the chair.
- Remove the backrest tube (1) from the backrest holders (2).
- If the backrest holders also need to be replaced: Undo and remove the Allen screws (5) including the nuts and washers on the left-hand and right-hand side of the chair. To do this, use a 5 mm Allen key and a 10 mm socket spanner.

**Refitting the backrest unit:**

- Replace the parts in the reverse order.
- To conclude, you should always carry out a trial run to test the vehicle functions.

**7.18.2 Adjusting backrest former**

The backrest former can be individually adapted to the user's back shape.



- Pull the front and rear faces of the backrest upholstery (1) apart and remove. The backrest upholstery front and rear faces are held together using Velcro fastenings.
- Open the backrest belt (2) Velcro fastenings and adjust to the required length.
- Reattach the backrest upholstery and fix with Velcro fastenings.

## 7.19 Seat system Modulite

### 7.19.1 Replacing the tilt actuator



#### Note

Replacing the actuator for the seat angle adjustment in the lifter / seat tilt adjustment module is also described.



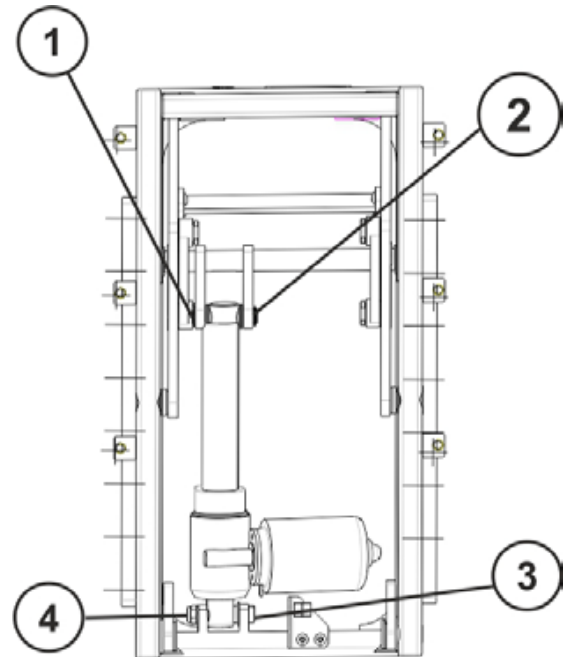
#### Requirements:

- Screwdriver, flat, width 6 mm
- 13 mm jaw spanner (2x)
- Slotted screwdriver

- Remove legrests.
- Switch the electronics OFF on the remote.
- Disconnect the actuator cable from the cable harness

#### Variant actuator - tilt:

- Bottom fixing bolt (3) with nut (4) –  
Loose the nut with the open-ended wrenches.  
Remove the nut and bolt.
- Top fixing bolt (2) secured with snap rings (1) –  
Remove a snap ring using a screwdriver and  
remove the bolt.
- Pull the actuator out.
- Insert a new actuator.
- Reassembly takes place in the reverse order.
- Connect the actuator cable to the cable harness.
- To complete, check all seat tilting function



#### Variant seat angle adjustment actuator in the lifter/seat angle adjustment module:

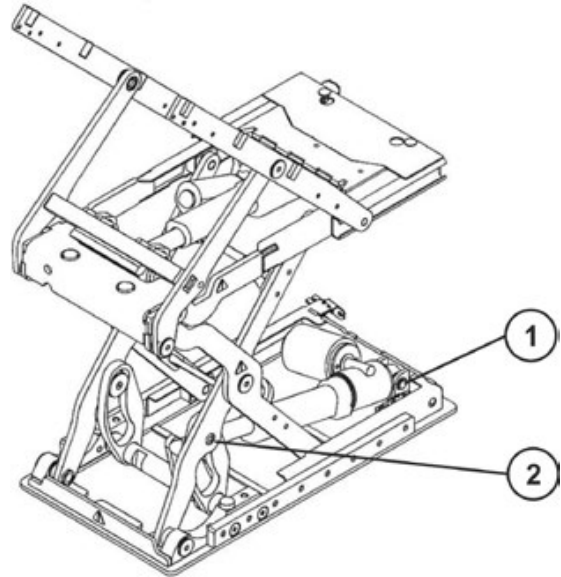
- Bottom fixing bolt (3) with slot –  
Loosen the fixing bolt with a screwdriver.  
Remove the bolt.
- Top fixing bolt (2) secured with snap rings (1) –  
Remove a snap ring using a screwdriver and  
remove the bolt.
- Pull the actuator out.
- Insert a new actuator.
- Reassembly takes place in the reverse order.
- Connect the actuator cable to the cable harness.
- To complete, check all seat tilting function.

## 7.19.2 Replacing the lifter actuator



### Requirements:

- Screwdriver flat, width 6 mm
  - Large screwdriver
  - Flat screwdriver
- 
- Remove legrests.
  - Run the lifter up to if possible.
  - Switch the electronics OFF on the remote.
  - Secure the seat.
  - Pull the plug from the actuator.
  - Bottom fixing bolt (2) secured with snap rings – Remove a snap ring using a screwdriver and remove the bolt.
  - Top fixing bolt (3) with slot – Loosen the fixing bolt with a screwdriver. Remove the bolt.
  - Replace actuator.
  - Reassembly of the actuator takes place in the reverse order.
  - Connect the plug of the actuator cable to the actuator.
  - To complete, check all seat tilting function.



If the lifter cannot be raised, a cover can be removed from the upper rear side of the module. This way it is possible to reach the lower fixation bolt of the actuator.

### 7.19.3 Replacing the lifter / seat angle adjustment module



**Note**

Replacement of the seat angle adjustment module is performed in the same manner.



**ATTENTION: Danger of crushing!**

**The seat is very heavy. Danger of injury to hands and feet!**

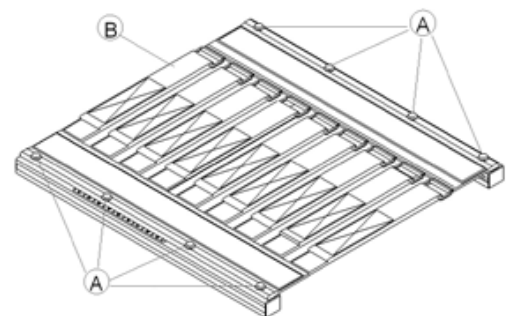
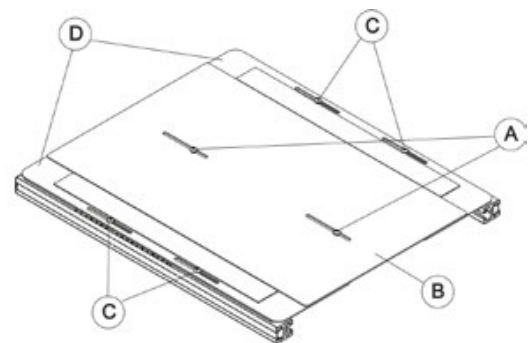
- Use proper lifting techniques



**Requirements:**

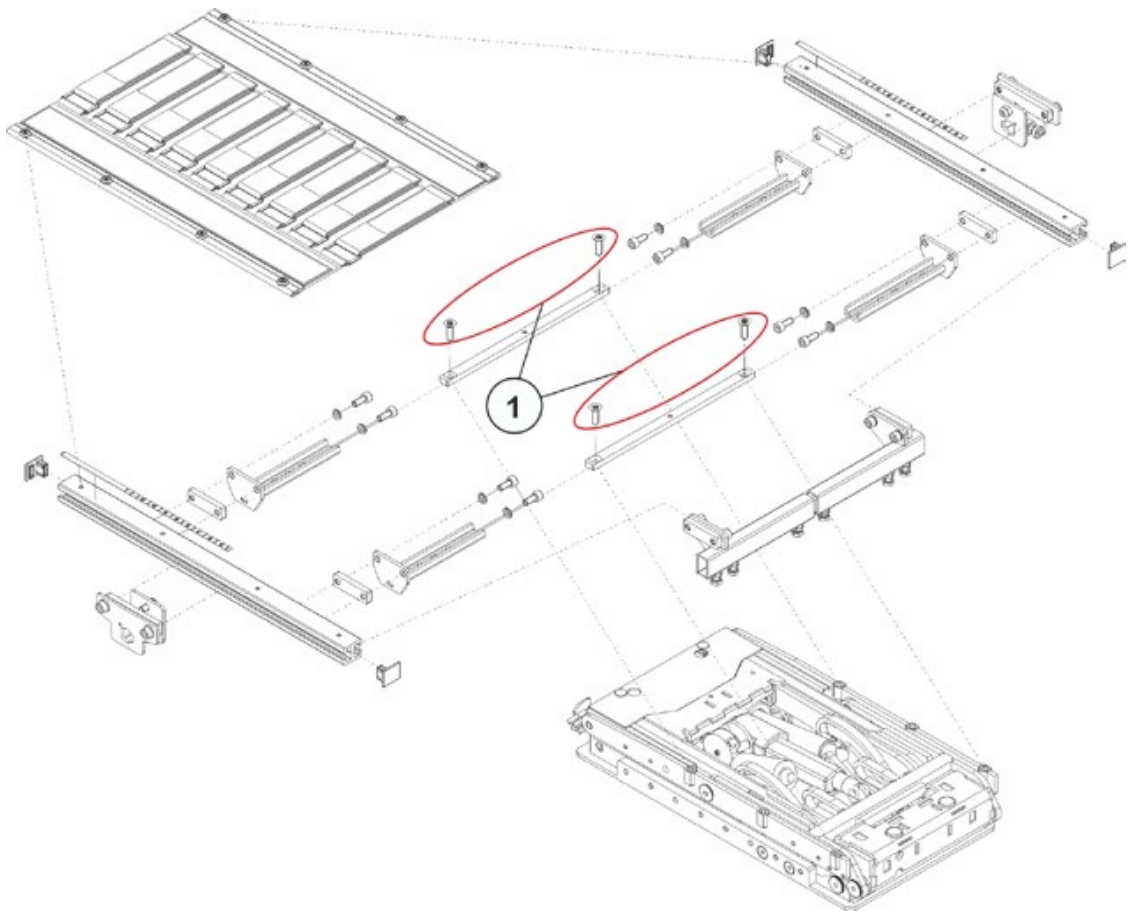
- 3 mm Allen key
- 5 mm Allen key
- T25 Torx wrench
- T40 Torx wrench
- Side cutting pliers
- Cable ties

- Remove legrests.
  - Tilt the seat tilting completely to the rear if possible.
  - Switch the electronics OFF on the remote.
  - Remove the backrest cushion.
  - Loosen and remove the screws, which secure the middle seat plate (A) with a 3 mm Allen key.
  - Remove the middle seat plate (B).
  - Loosen and remove the screws on both sides, which secure the lateral seat plates (C) with a 3 mm Allen key.
  - Remove the lateral seat plates (D).
- or**
- Remove the seat cushion.
  - Loosen and remove the screws on both sides, which secure the sling seat (A) with a T25 Torx wrench.
  - Remove the sling seat (B).

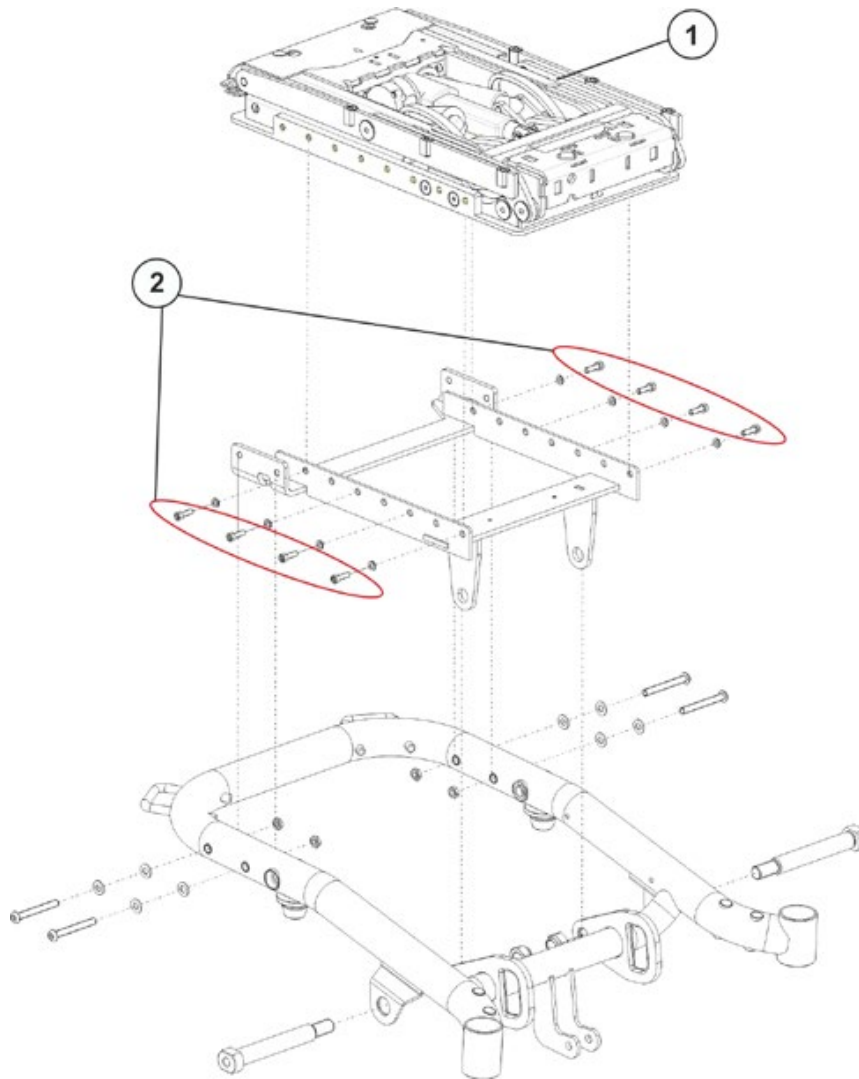




- Remove the seat frame by removing the screws (1) with a T40 Torx wrench.



- Disconnect the actuator cable and microswitch cable from the cable harness.

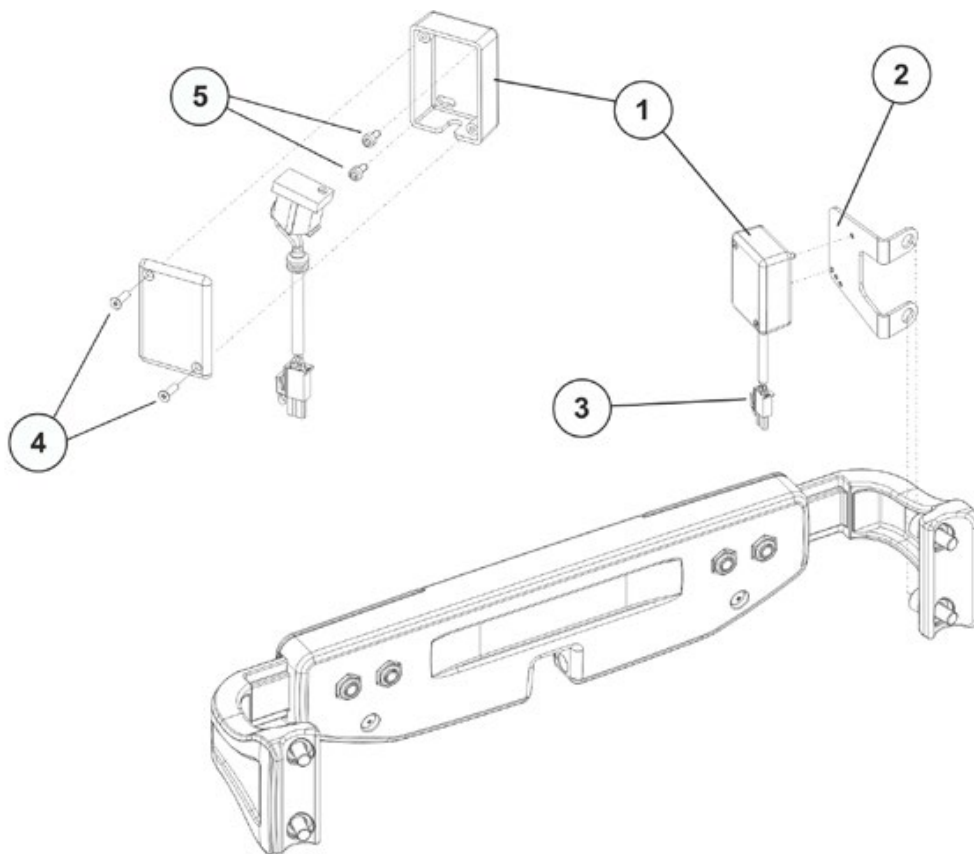


- Loosen and remove the screws (2) incl. the washers with a 5 mm Allen key.
- Lift the module of the seat angle adjustment (1) from the adapter and replace it.
- Reassembly takes place in the reverse order.
- To complete, check all seat tilting function.

### 7.19.4 Replacing the angle sensor

**Voraussetzungen:**

- 5 mm Allen wrench
- PH1 Phillips screwdriver

**Dismantling the angle sensor:**

- Remove the plug (3) from the sensor (1).
- Open the cover of the sensor box by loosening and removing both Phillips screws (4).
- Loosen the two Allen screws (5) and remove the sensor (1) from mounting plate (2).
- Replace the angle sensor.

**Refitting the angle sensor:**

- Assemble the parts in the reverse order

### 7.19.5 Replacing the backrest actuator

**Requirements:**

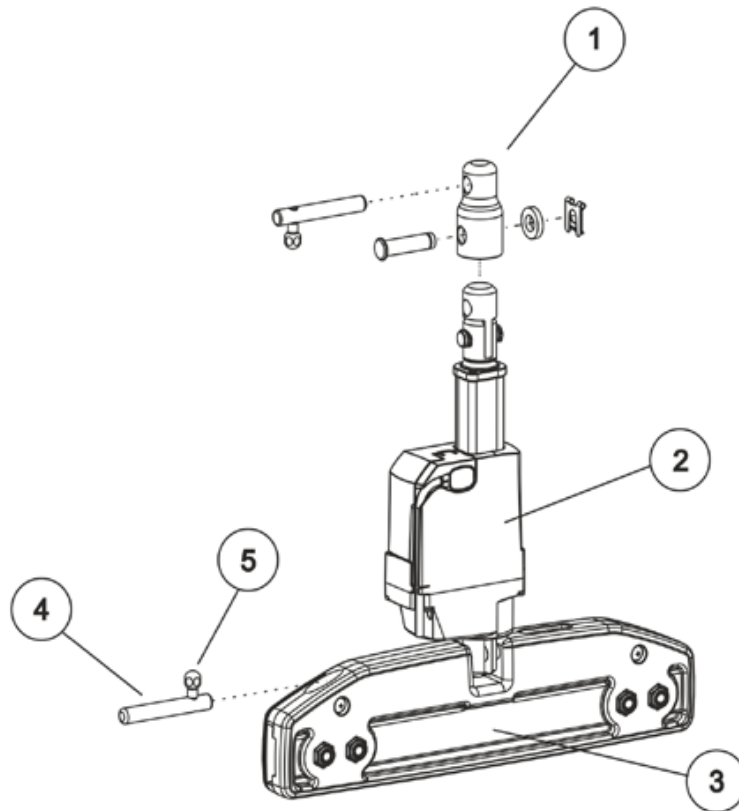
- 8 mm Allen key
- open-ended spanner, 10 mm
- open-ended spanner, 13 mm

**Dismantling the backrest actuator:**

- Pull the cable off directly where it is connected to the actuator (2).
- Detach the bracket of the actuator at the top and bottom; to do this, slide the bolts (4) to the side using the lever (5) and tilt the actuator (2) out of the backrest clamp (3).
- Replace actuator.

**Note**

To increase the angle of the backrest, you can remove the adapter (1). See chapter 7.19.6.

**Refitting the backrest actuator:**

- Assemble the parts in the reverse order.

### 7.19.6 Backrest actuator - Removing the adapter

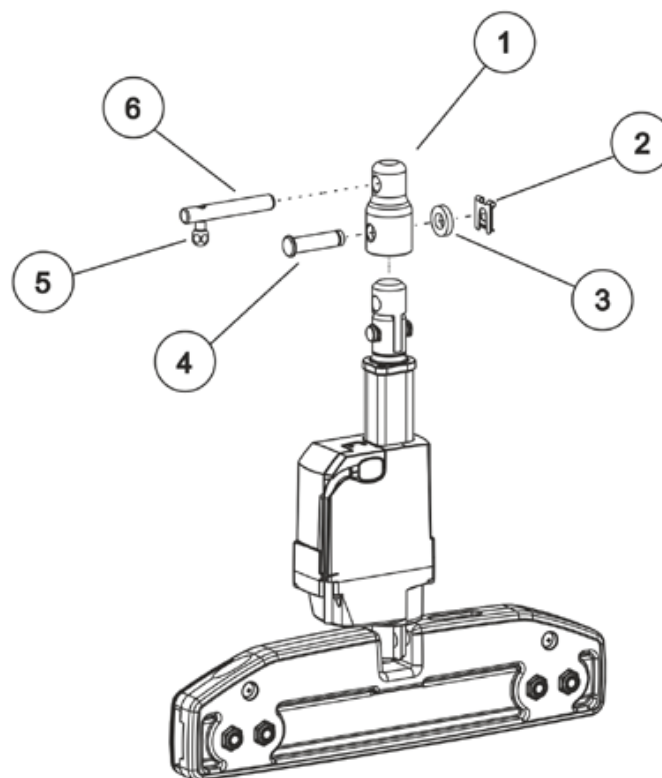
The Modulite seat is shipped ex works with an adapter on the backrest actuator, which allows a backrest angle of 75 to 105 degrees. This is done for safety reasons, in order to ensure tipping stability in cases of heavy user weight or tall users with a corresponding shift in their center of gravity.

Smaller or lighter users can use the full range of backrest angles from 90 to 120 degrees. The adapter (1) must be removed to allow this.



#### Note

The tipping stability must be checked afterwards, to determine the safety and stability of the electric wheelchair. See chapter 9.3.



- Slide the bolts (6) to the side using the lever (5) and tilt the actuator out of the upper bracket.
- SL fuse (2) incl. Remove the washer (3) of the fixation bolt (4).
- Pull the fixing bolt (4) out.
- Remove adapter (1).

## 7.20 Backrest Module

### 7.20.1 Replacing the standard backrest

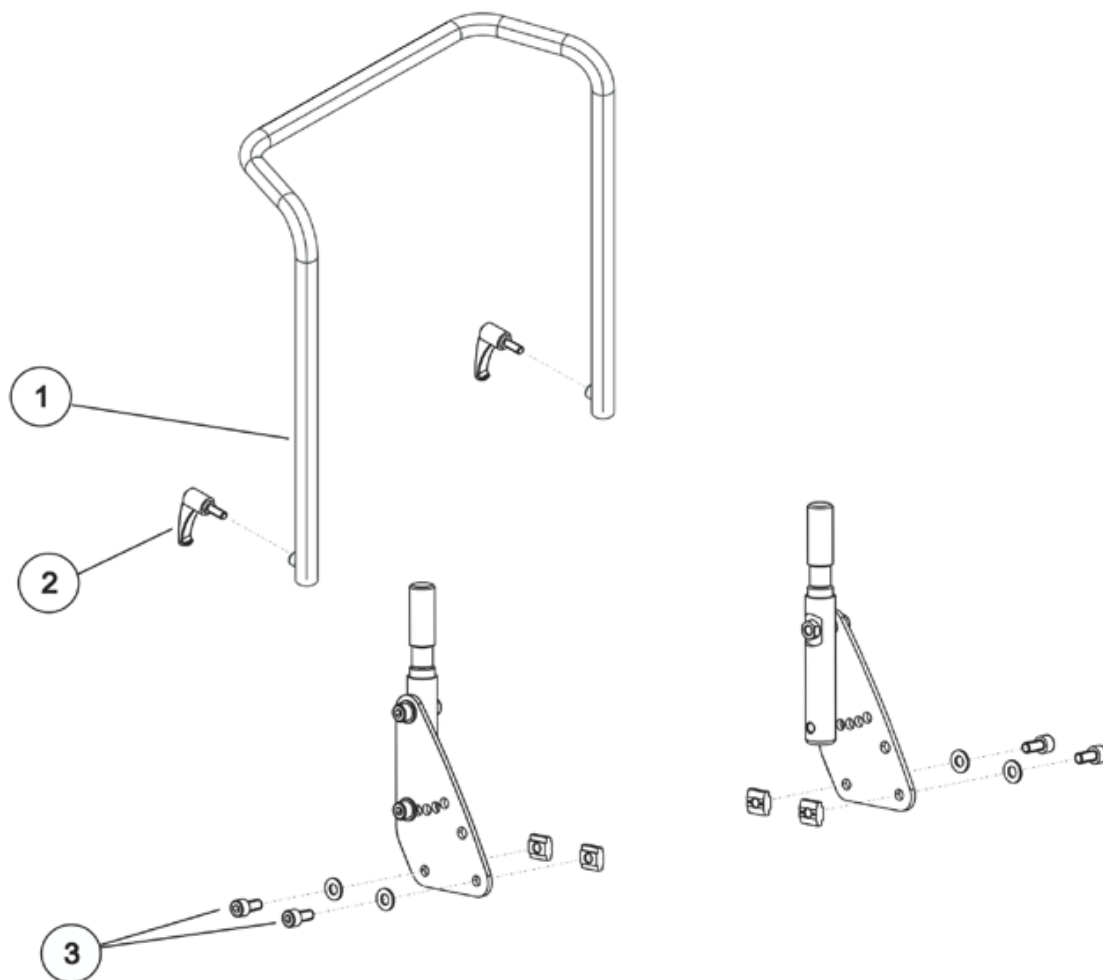


#### Requirements:

- 5 mm Allen key

#### Dismantling the backrest unit:

- Remove the backrest cushion.
- Loosen the fixation lever (2) of the backrest tube.
- Remove the backrest tube.



- Use the Allen key to loosen and remove the hexagon socket head screws (3) including the nuts and washers on the left and right side of the chair.

#### Refitting the backrest unit:

- Replace the parts in the reverse order.
- To conclude, you should always carry out a trial run to test the vehicle functions.

## 7.20.2 Replacing the backrest mounting bracket



### Requirements:

- 5 mm Allen key

### Dismantling the backrest unit:

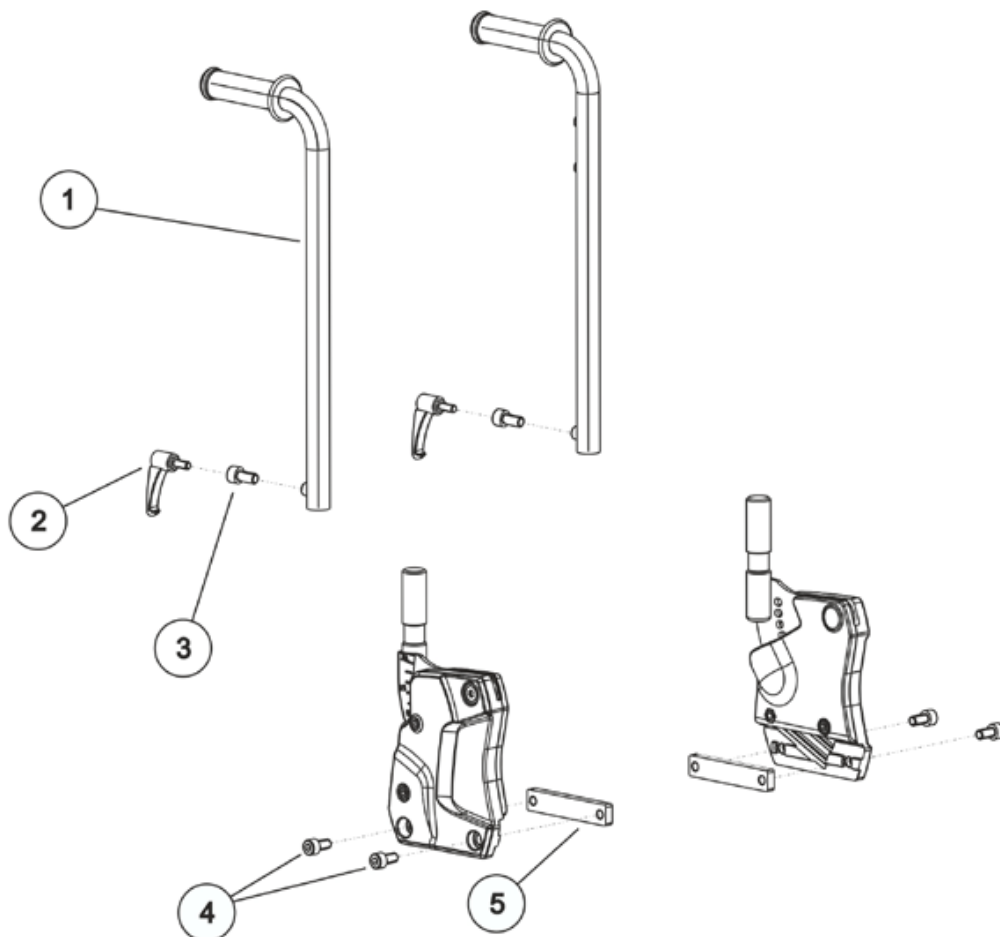
- Remove the backrest cushion.
- Loosen the fixation levers (2) of the corresponding backrest tube (1), depending on the version.

There are two versions:

(2) - for the manual backrest

(3) - for the electrically adjustable backrest

- Remove the backrest tube.



- Loosen and remove the two hexagon socket head screws (4) to the sliding block (5) on the left and right side of the chair..

### Refitting the backrest unit:

- Replace the parts in the reverse order.
- To conclude, you should always carry out a trial run to test the vehicle functions.

### 7.20.3 Replacing the backrest mounting bracket for SB 53


**Requirements:**

- 5 mm Allen key

**Dismantling the backrest unit:**

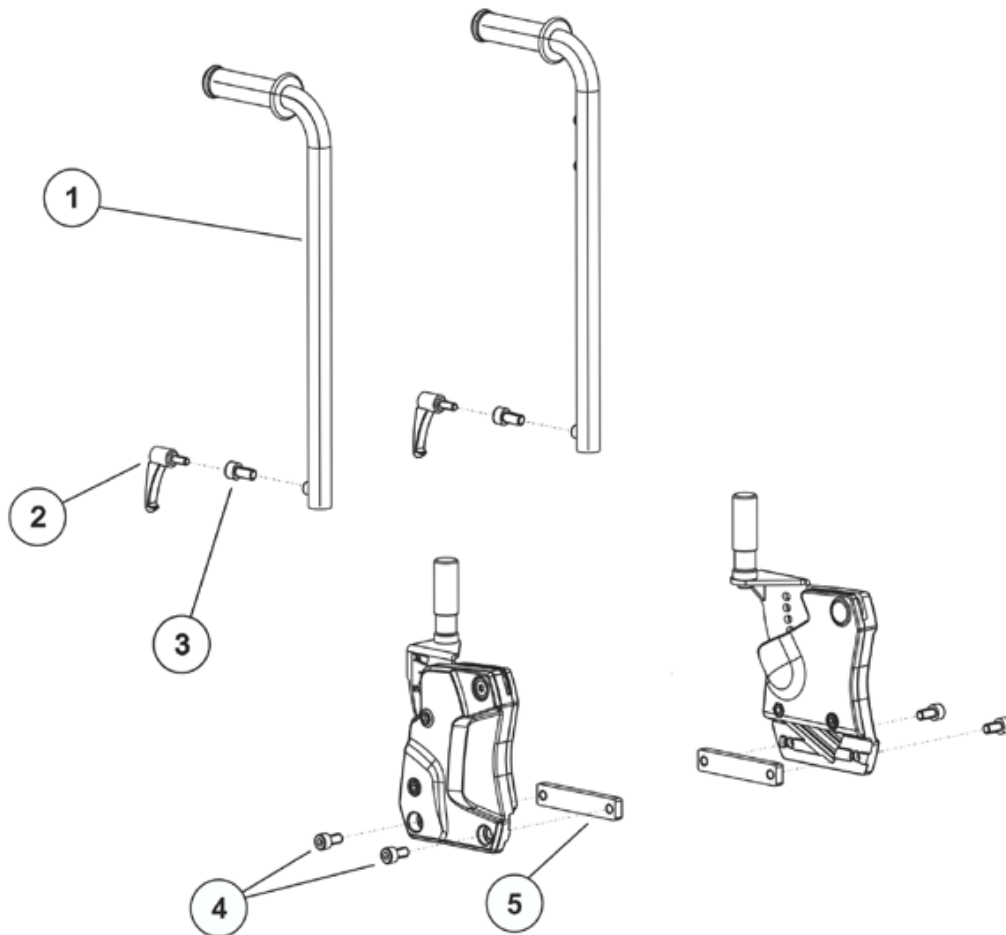
- Remove the backrest cushion.
- Loosen the fixation levers (2) of the corresponding backrest tube (1), depending on the version.

There are two versions:

(2) - for the manual backrest

(3) - for the electrically adjustable backrest

- Remove the backrest tube.



- Loosen and remove the two hexagon socket head screws (4) to the sliding block (5) on the left and right side of the chair.

**Refitting the backrest unit:**

- Replace the parts in the reverse order.
- To conclude, you should always carry out a trial run to test the vehicle functions.



## 7.21 Adjusting the seat width/ backrest width (Modulite)

### 7.21.1 Adjusting the seat width

You can only adjust the seat width for the adjustable seat plate or for the adjustable sling seat.

The sling seat is available in two widths:

- for a seat width of 38-43 cm and
- for a seat width of 48-53 cm.

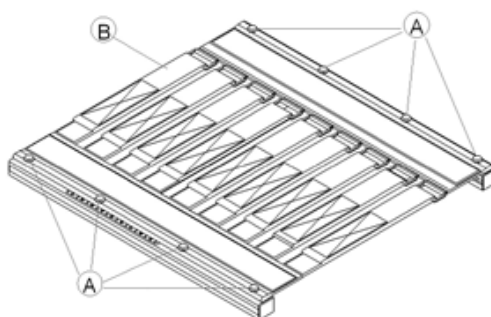
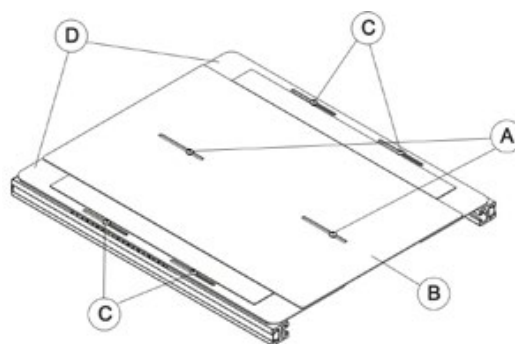
When modifying the seat width, the backrest width must also be correspondingly adapted. See chapter 7.21.2.



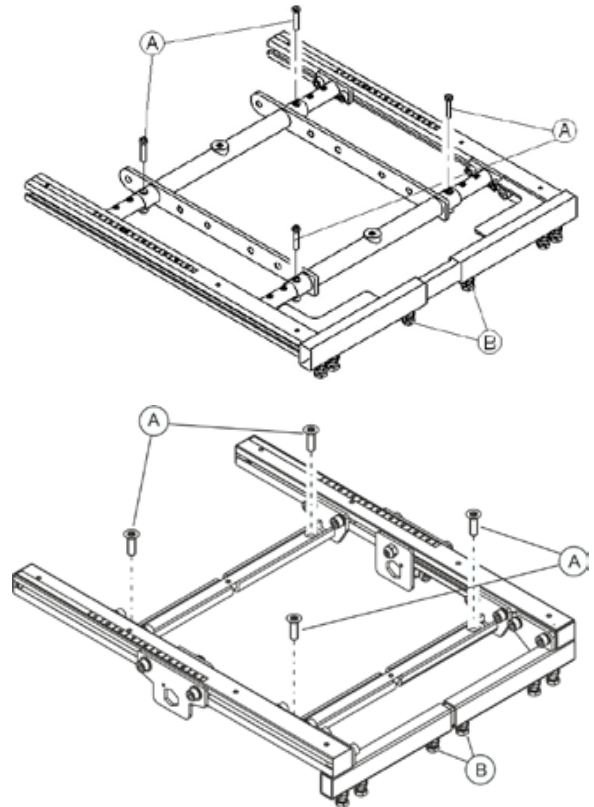
#### Requirements:

- 3 mm Allen key
- 5 mm Allen key
- 13 mm open-ended spanner
- T25 Torx wrench
- T40 Torx wrench

- Remove the backrest cushion.
  - Remove the backrest from the backrest mounting bracket.  
See chapter 7.20.
  - Loosen and remove the screws, which secure the middle seat plate (A) with a 3 mm Allen key.
  - Remove the middle seat plate (B).
  - Loosen and remove the screws on both sides, which secure the lateral seat plates (C) with a 3 mm Allen key.
  - Remove the lateral seat plates (D).
- or**
- Remove the seat cushion.
  - Loosen and remove the screws on both sides, which secure the sling seat (A) with a T25 Torx wrench.
  - Remove the sling seat (B).



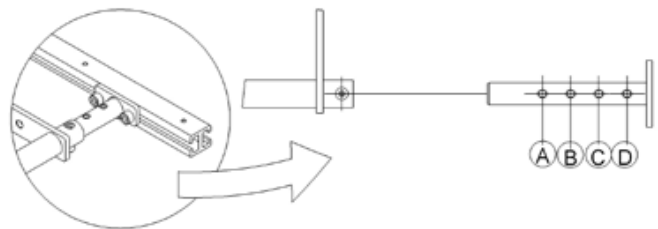
- Loosen and remove the screws of the seat frame adjustment (A) with a T40 Torx wrench.
- Loosen and remove the screws of the fixation of the legrest mounting brackets (B).



- Adjust the seat frame and the legrest fixation to the desired width according to the following illustrations and tables:

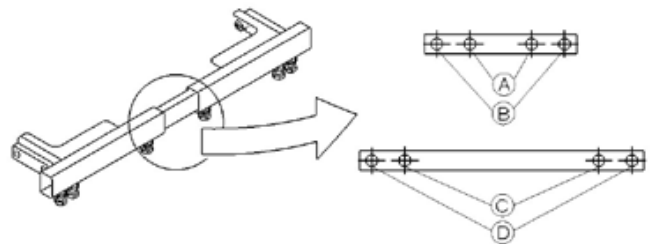
**Seat frame:**

Screw position	Seat width
A	530 mm
B	480 mm
C	430 mm
D	380 mm



**Leg supports connection:**

Screw position	Seat width
A	380 mm
B	430 mm
C	480 mm
D	530 mm



**Note**  
When switching from 430 mm to 480 mm and the other way around, the fixation of the legrests must be replaced.

- Reposition the screws and tighten them again.
- Install the seat plate or the sling seat.
- Reposition the seat cushion.

### 7.21.2 Adjusting the backrest width

The backrest width is adjusted by performing the following tasks:

- Adjust the backrest tube.
- Adjust the backrest:
  - Sling backrest, as described in chapter 7.18.2.
  - Flex3 backrest, as described in chapter 7.21.3.
- Replace the backrest cushion (these are available in various widths).

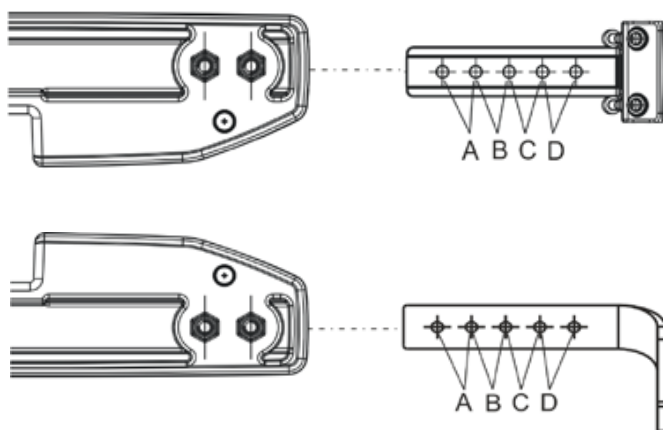
When modifying the backrest width, the seat width must also be correspondingly adapted. Please see chapter 7.21.1.



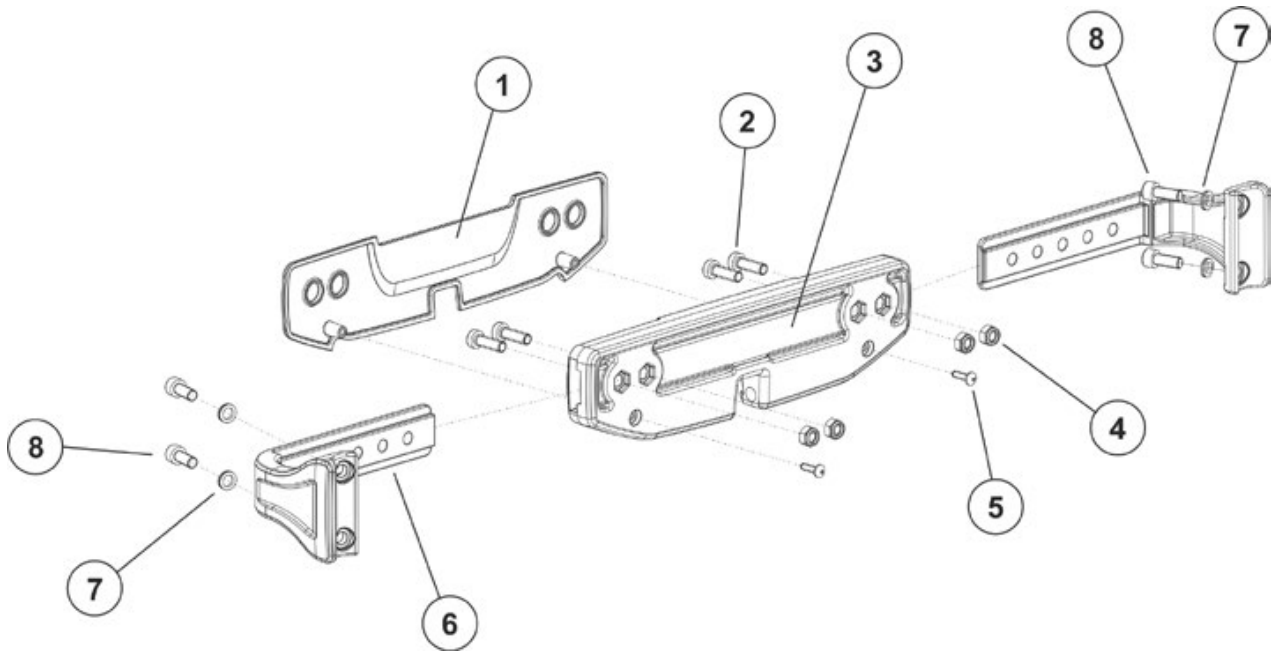
**Requirements:**

- 3 mm Allen key
- 5 mm Allen key
- 13 mm Open-ended spanner

The screw position for the backrest width, refer to the table:



Screw position	Seat width
A	530 mm
B	480 mm
C	430 mm
D	380 mm



- Remove the backrest cushion.
- Loosen the straps of the sling backrest or remove the Flex3 backrest.
- Loosen and remove both screws (5) of the actuator fixation bracket.
- Remove the cover of the actuator fixation bracket.
- Loosen and remove the screws and nuts (2, 4) on the upper and lower actuator fixation bracket on both sides.
- Adjust the backrest fixation (6) for the new backrest width according to the table on page 115.
- Insert the screws (2) through the cover of the actuator fixation bracket and the corresponding holes of the backrest fixation to the actuator fixation.
- Fasten these with the nuts (4).
- Reposition the cover of the actuator fixation bracket.
- Insert and tighten the screws (5) again.
- Adjust the straps of the sling backrest to the new width or install the adjusted Flex 3 backrest.
- Install the backrest cushion.
- Perform a function check of the chair

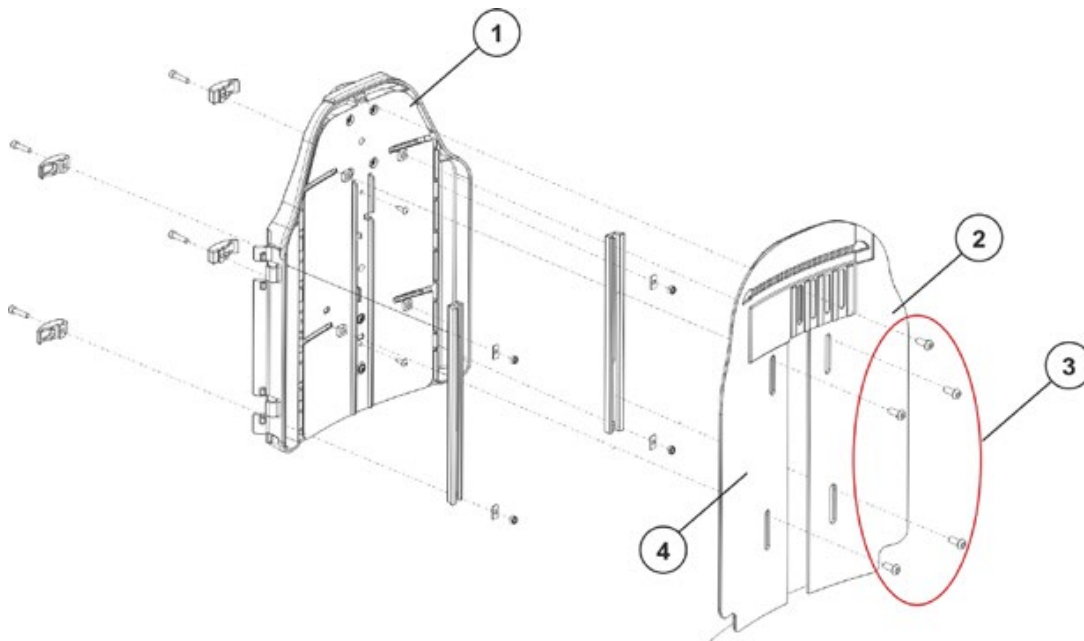
### 7.21.3 Adjusting the Flex3 backrest



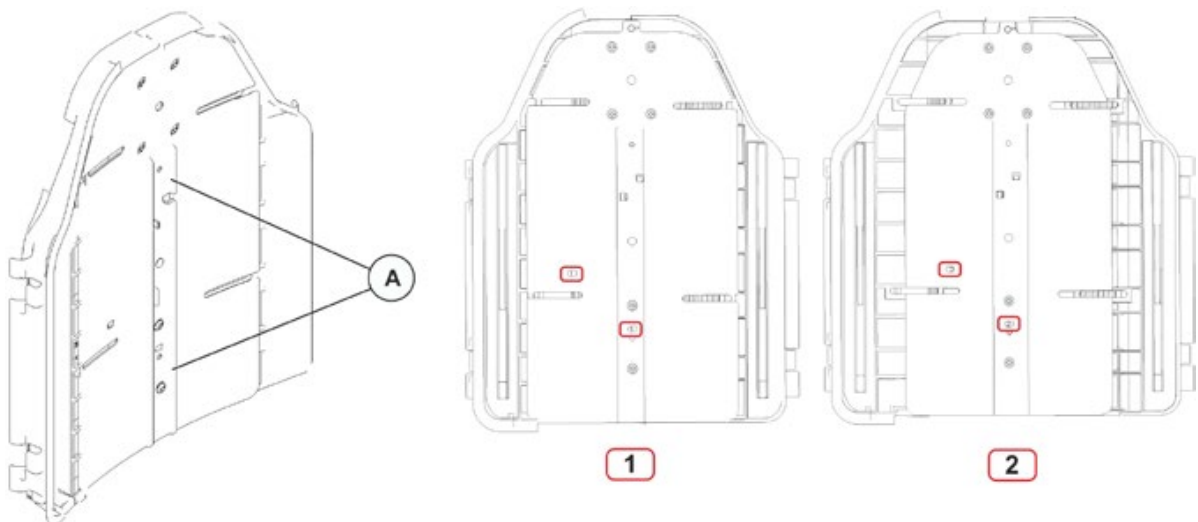
**Requirements:**

- Phillips screwdriver
- 5 mm Allen key

- Remove the front lateral plates (2 and 4) from the backrest (1) by loosening and removing the five hexagon socket head screws (3).



- Remove both Phillips screws (A) on the middle plate.



- Shift the position of the rear plate halves (three settings are possible using the drill holes).
  - **Before** pulling the Flex3 backrest apart, a "1" will be visible in the small, rectangular cut-out.
  - **After** pulling the Flex3 backrest apart, a "2" will be visible in the small, rectangular cut-out.
- Re-insert the two screws (A) into the middle plate.
- Fasten the front lateral plates (2 and 4) again.

## 8 Installing accessories

### 8.1 Replacing the holding strap

#### 8.1.1 Standard seat & Flex2



##### Requirements:

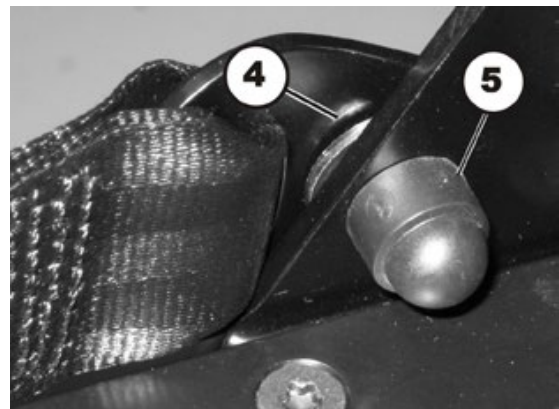
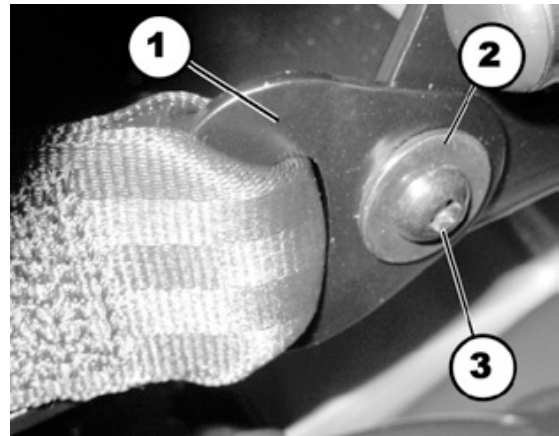
- open-ended spanner, 13 mm
- 5 mm Allen key



##### Note

A nut is fixed between the two washers (2) and (4) as a spacer so that the belt mounting can rotate freely.

- Remove the plastic cap (5).
- Loosen the bolt (3) and the associated nut (in the figure this is covered by the plastic cap) with a 5 mm Allen key and a 13 mm socket spanner.
- Remove the nut.
- Remove the bolt including safety belt and flat washers (2) and (4).
- Remove the flat washers (4).
- Replace the safety belt (1).
- Refit the parts in the reverse order.

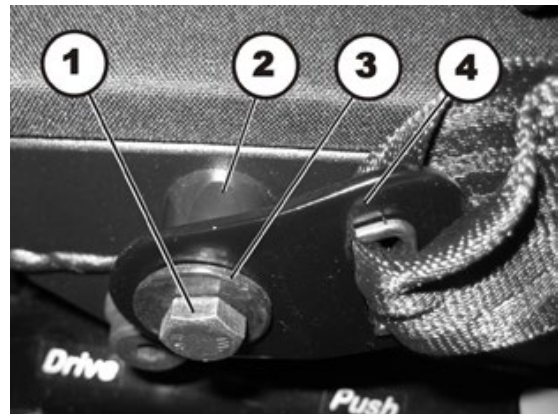


### 8.1.2 Fixed seat unit

**Requirements:**

- open-ended spanner, 13 mm
- 13 mm jaw spanner

- Loosen the bolt (1) with a 13 mm socket spanner. Hold the nut using a 13 mm jaw spanner to prevent rotation (not visible in figure).
- Remove the bolt together with the flat washer (3), the safety belt (4) and the spacer (2).
- Replace the safety belt (1).
- Refit the parts in the reverse order.

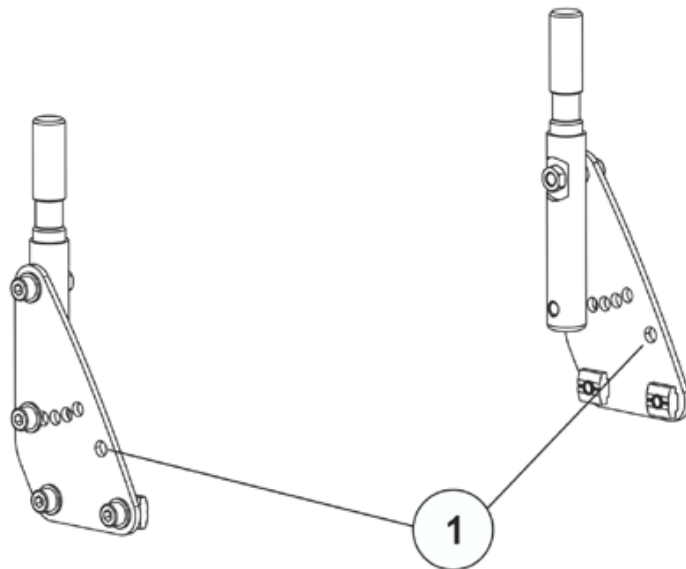


## 8.2 Replacing seat belts (Modulite seat)

### 8.2.1 Installation on the backrest mounting bracket (simple backrest)

**Requirements:**

- Socket spanner, 13 mm
- 5 mm Allen key



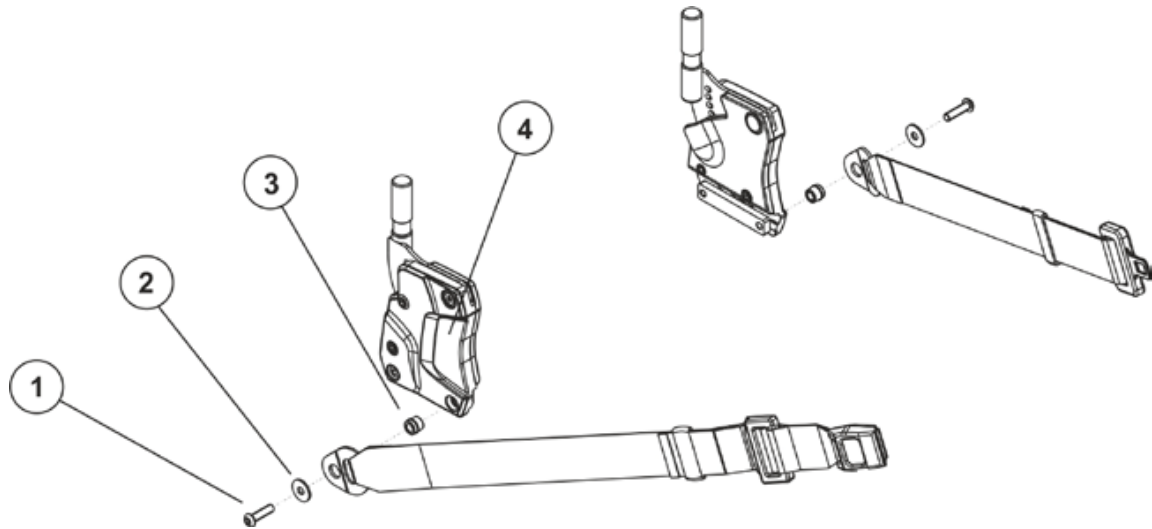
- The seat belts are attached via the drill hole (1) at the top right.
- The installation of seat belts is described in chapter 8.1.1.



## 8.2.2 Installation on the backrest mounting bracket (adjustable seat)

**Requirements:**

- 5 mm Allen key

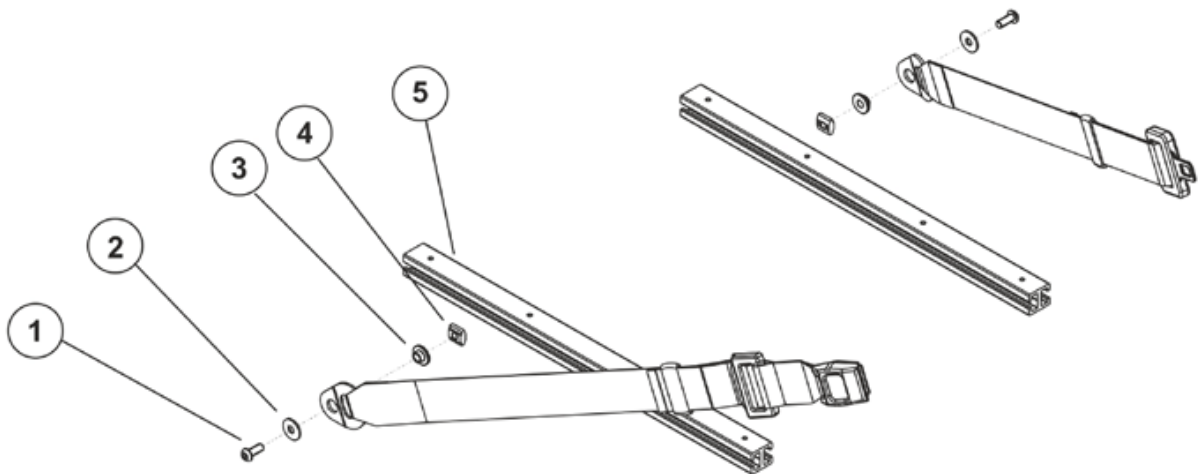


- Loosen the screw (1) with an 5 mm Allen key.
- Remove the screw (1), the corresponding washer (2) and the seat belt and belt winder (3) from the backrest mounting bracket (4).
- Replace the safety belt.
- Refit the parts in the reverse order.

### 8.2.3 Installation on the seat frame profile (adjustable seat)

**Requirements:**

- 5 mm Allen key



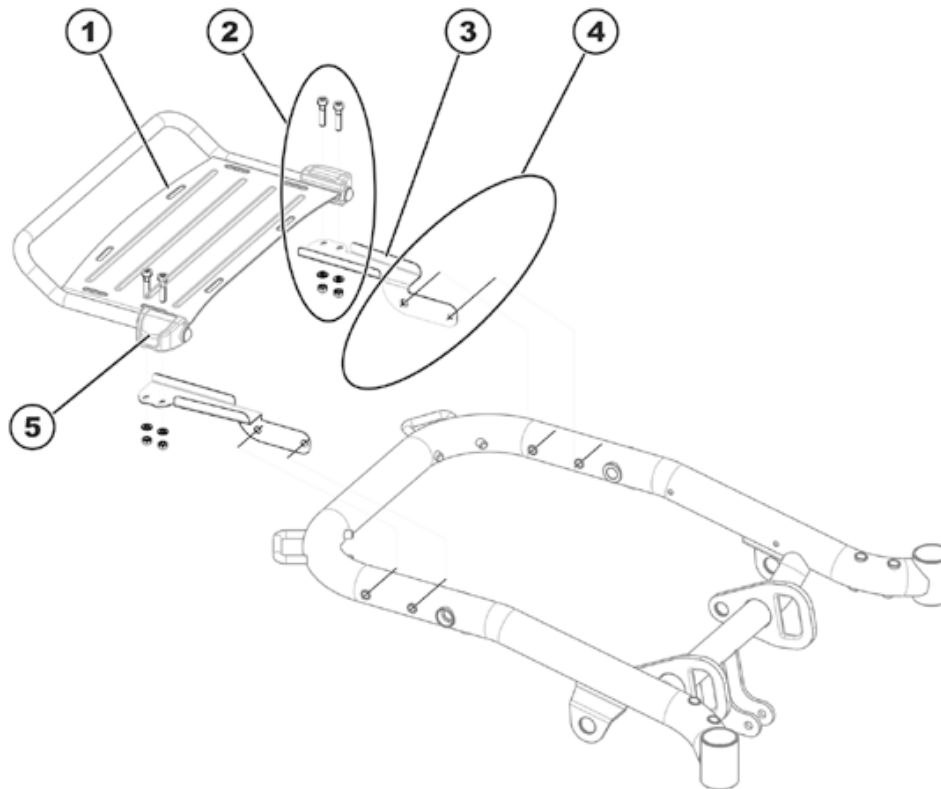
- Loosen the screw (1) with an 5 mm Allen key.
- Remove the screw (1), the washer (2), the seat belt, the sliding bushing (3) and the sliding block (4) from the seat frame profile (5).
- Replace the safety belt.
- Refit the parts in the reverse order.

## 8.3 Luggage carrier



### Requirements:

- 5 mm Allen wrench
- 10 mm open-ended wrench



- Loosen and remove both hexagon socket head screws (4) together with the washer. The screws are located on the wheelchair.
- Install the luggage carrier fixation bracket (3).
- Install both hexagon socket head screws (4) together with the washers, spacer sleeve, etc.
- Repeat these work steps on the other side of the wheelchair.
- Open the clamping levers (5) of the luggage carrier fixation bracket.
- Push the brackets onto the luggage carrier (1).
- Install the luggage carrier with the brackets. When tightening the screws (2), make sure that the luggage carrier is correctly centered.
- Close both of the clamping levers.
- Make sure that the luggage carrier does not collide with the backrest or seat when adjusting the backrest angle or seat tilt to any setting.
- If collisions can occur:
  - Open the clamping levers of the luggage carrier fixation bracket.
  - Push the luggage carrier slightly towards the rear.
  - Close the clamping levers of the luggage carrier fixation bracket.

## 8.4 Further accessories



---

### Note

The installation instructions for additional accessories are available at your Invacare® specialist supplier or directly from Invacare®.

---

## 9 Adjusting the seating position

In order to adapt the mobility device optimally to the requirements of the user, we recommend that you ask your authorised Invacare® the dealer to adjust the seat depth individually.

Adapting the seat to the user's seating position depends on which seat has been fitted, and should be carried out in the following sequence.

1. Adjusting the lower leg length and seat depth, see chapter 9.1.
2. Adjusting the center of gravity of the seat frame, see chapter 9.2.
3. Checking that the swivel castors can move freely.
4. Check that the wheelchair is stable and will not tip over, see chapter 9.3.
5. Repetition of steps 2 to 4, if necessary.



### WARNING!

**Danger of injury hazard after tilting of mobility caused by blocked steering wheels.**

- *Always check the seat depth settings for both forward and reverse movement. Make sure that steering wheels can rotate freely and have not contact to any fixed mobility device component.*
- 



### CAUTION: Danger of tipping over!

**Any change in the seating position can negatively influence the stability of the electric wheelchair.**

- *Always make sure that the wheelchair is stable and will not tip over, after adjusting the seating position.*
- 



### WARNING!

**Any changes to the drive program can affect the driving characteristics and the tipping stability of the vehicle!**

- *Changes to the drive program may only be carried out by trained Invacare® specialist dealers!*
  - *Invacare® supplies all mobility devices with a standard drive program ex-works. Invacare® can only give a warranty for safe vehicle driving behaviour - especially the tipping stability - for this standard drive program!*
- 



### WARNING: Danger of crushing!

**The seat is very heavy. Danger of injury to hands and feet.**

- *Pay attention to the hand and feet*
  - *Use proper lifting techniques*
-

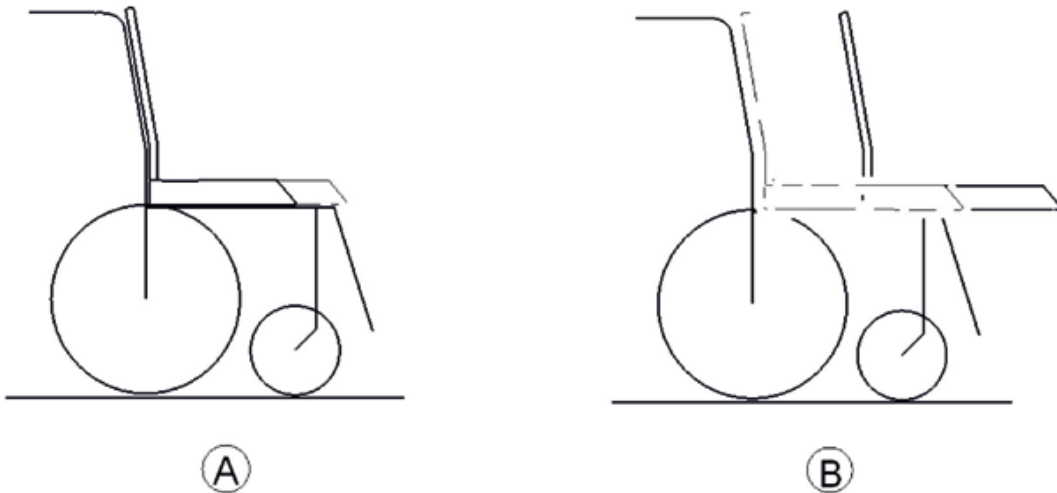
## 9.1 Adjusting the lower leg length and seat depth

### 9.1.1 Adjusting the lower leg length

Invacare® offers a range of legrests which can be adjusted individually.

See operation manual.

### 9.1.2 Adjusting the seat depth



A: Seat depth

B: Center of gravity of the seat/ seat position

#### **Standard seat**

The Seat depth is adjusted by moving the seat back.

The backrest holders (see Section 7.18) can be mounted in 3 different positions on the seat plate (see Section 9.2.1).

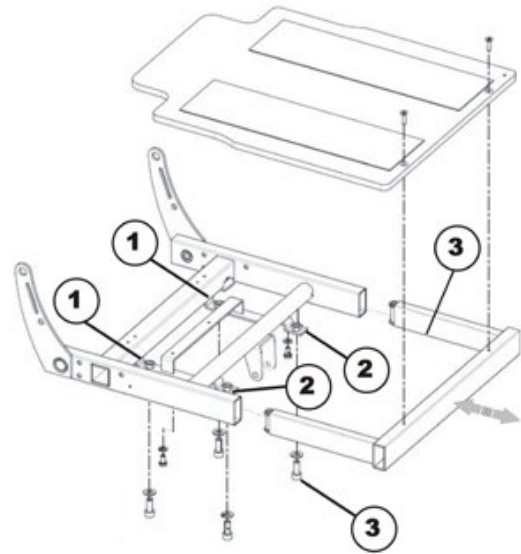
**Flex2 seat**

The Flex2 seat is fixed directly to the base frame.

- Rear drillholes (1)
- Front drillholes (2)

To adjust the seat depth, proceed as follows:

- Loosen screws (3)
- Push the front seat section forwards or backwards
- Retighten the screws (3)



**Modulite seate**

The seat depth is adjusted by shifting the position of the backrest.

See User Manual.

## 9.2 Adjusting the center of gravity of the seat

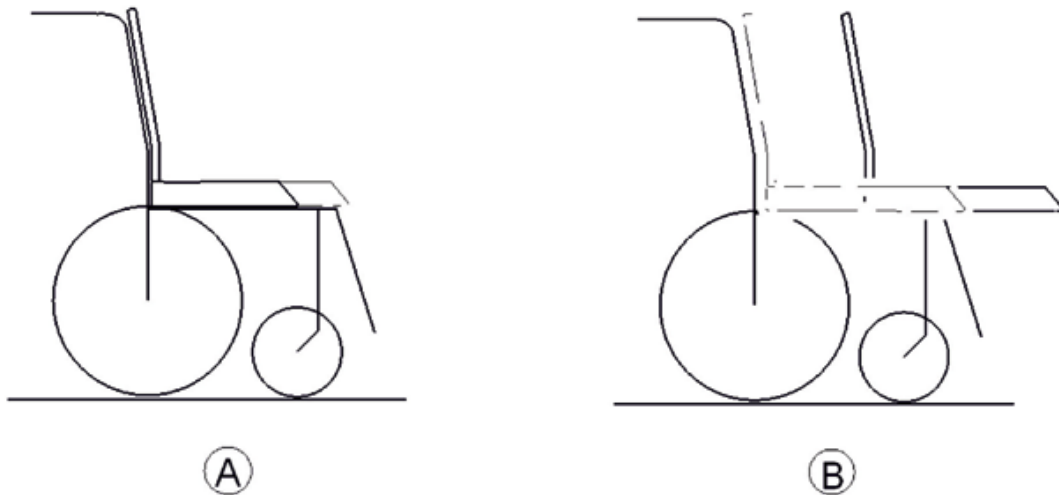
The center of gravity of the seat can be adjusted by mounting the seat frame farther towards the front or the rear on the seat.



### CAUTION!

The seating system of the electric wheelchair is delivered ex works with an optimally adjusted center of gravity. Any change in this adjustment setting can negatively influence the stability of the electric wheelchair.

- You must perform an individual risk analysis every time you change the center of gravity of the seating position, in order to ensure the safety and stability of the electric wheelchair.



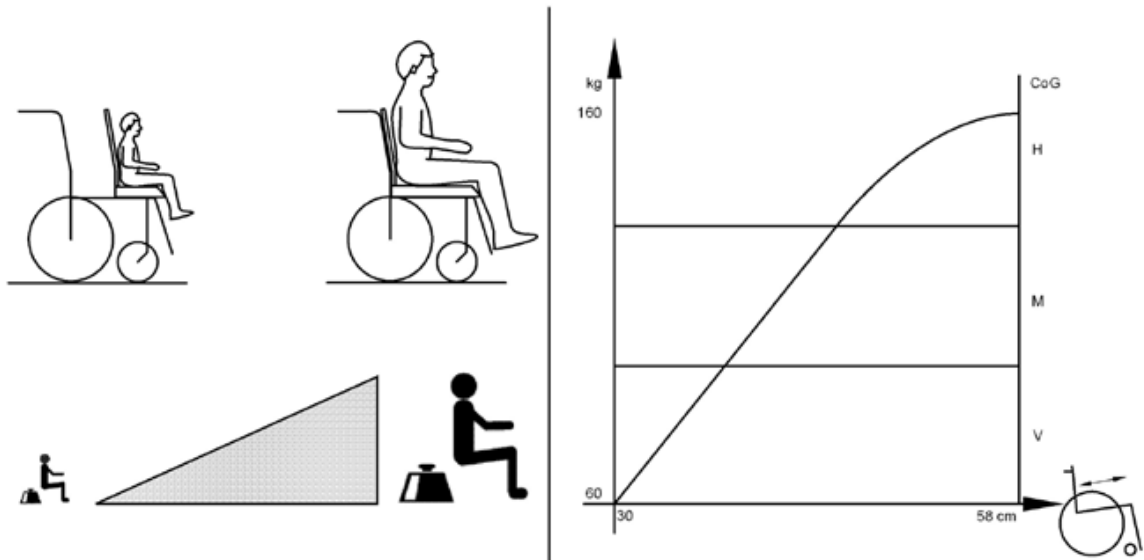
A: Seat depth

B: Center of gravity of the seat/ seat position



**Note**

The user weight and seat depth have strong influences on the choice of the Center of gravity of the seat. If the user is heavy and the seat depth is greater, the focus should be the farther back.



For best possible driving characteristics of rear-wheel drive wheelchairs, the weight to be distributed: 30 – 40 % front and 60 - 70 % rear.

**WARNING!****Danger of damage due to collisions of the legrests with other parts of the wheelchair!**

- Set the legrests to the smallest angle before adjusting the seat center of gravity.
- Pay attention with adjusting the seat center of gravity that the legrests do not touch any other parts of the wheelchair. This ensures that the legrests can not collide with other parts of the wheelchair.

9.2.1 Standard seat



**Requirements:**

- 4 mm Allen wrench
- 5 mm Allen wrench
- 13 mm open-ended wrench
- Flat screwdriver
- Small hammer

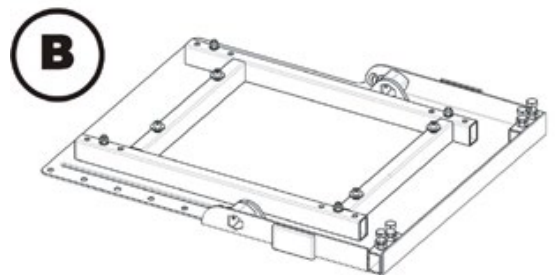
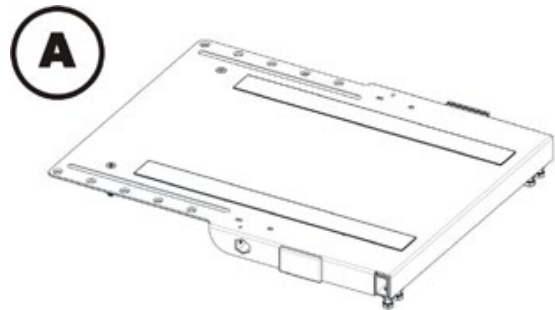


**WARNING: Danger of crushing!**

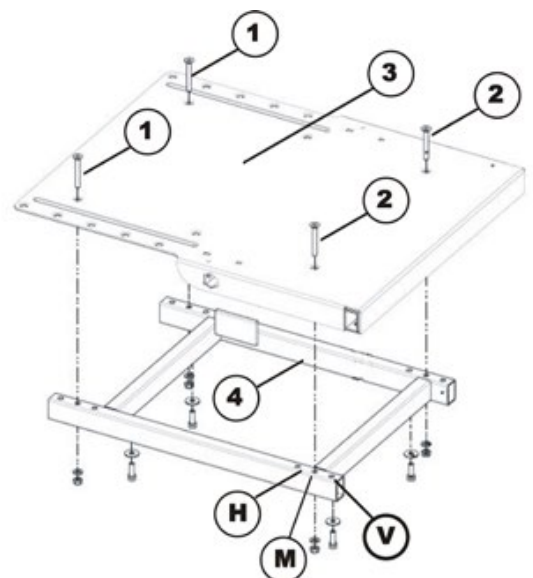
**The seat is very heavy. Danger of injury to hands and feet!**

- Pay attention to the hand and feet.
- Use proper lifting techniques.

The pictures show the standard seat without seat covering from above (A) and below (B).



- Rear bolts (1)
- Front bolts (2)
- Seat plate (3)
- Seat frame (4)



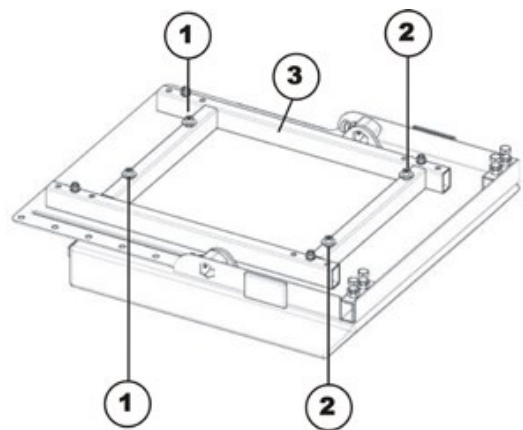
The seat plate can be fixed in three different positions on the seat frame.

- Front fixing (V)
- Centre fixing (M)
- Rear fixing (H)

The picture shows where the drillholes for fixing the seat frame (3) are located on the base frame.

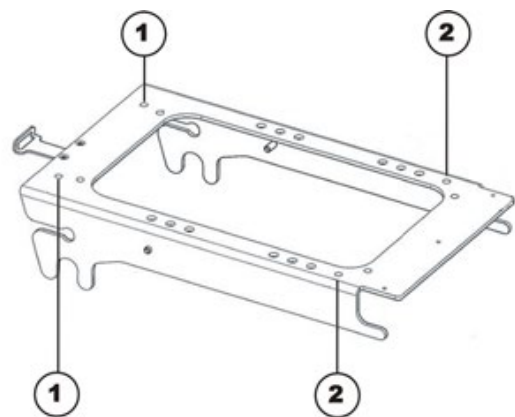
- Rear drillholes (1)
- Front bolts (2)

The seat frame can only be fixed in one position on the base frame.



The picture shows the seat frame with the drillholes for the standard seat.

- Rear drillholes (1)
- Front drillholes (2)



### 9.2.2 Flex2 seat



**Requirements:**

- 4 mm Allen wrench
- 5 mm Allen wrench
- 13 mm open-ended wrench
- Flat screwdriver
- Small hammer

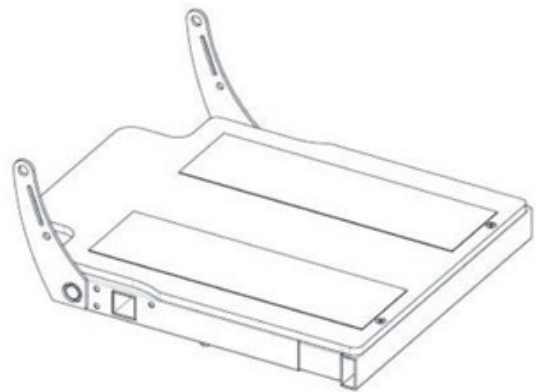


**WARNING: Danger of crushing!**

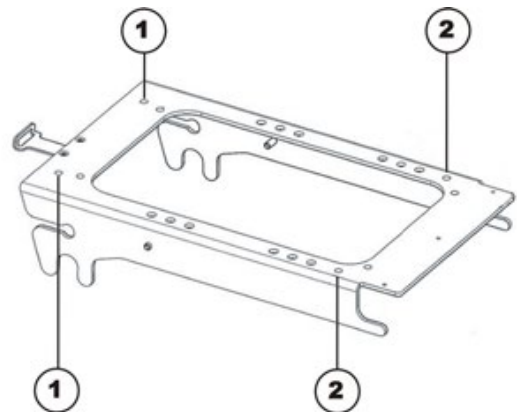
**The seat is very heavy. Danger of injury to hands and feet!**

- *Pay attention to the hand and feet.*
- *Use proper lifting techniques.*

The illustration shows the Flex2 seat from above without seat covering.

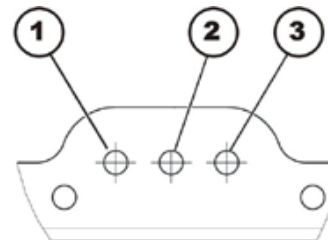


- Loosen the fixation screws at the appropriate positions (2).



- Slide the Flex2 seat forward or rearward until the fixation screws can be inserted into the corresponding variation holes:

- 1 – Rear
- 2 – Middle
- 3 – Front



- Replace the fixation screws and tighten.
- Re-install all seat components.
- Check all functions during a test-drive.

### 9.2.3 Modulite seat

The Modulite seat is available in two versions:

- Adjustment of the center of gravity via the lateral profiles  
Adjustable seats (plate and strap), as described in chapter 9.2.3.1.
- Adjustment of the center of gravity via the oblong holes of the seat adaptor  
Simple seat, as described in chapter 9.2.3.2.

If the mobility device is used with drive lock-out, the seat center of gravity can be safely monitored in the corresponding seat position.

Drive lock-out is a feature designed to prevent the wheelchair from being driven after the seating system has been tilted beyond the safe total angle relative to the vertical position. The total angle can be any combination of seat angle, backrest angle and/or surface angle.

Please refer to the user manual for more information on this function.

The seat position settings with various combinations of seat depth, seat width, cushion type and back unit are described in chapter 9.2.3.4.



---

**CAUTION!**

**Increased danger of tipping over, if the center of gravity is shifted too far towards the rear.**

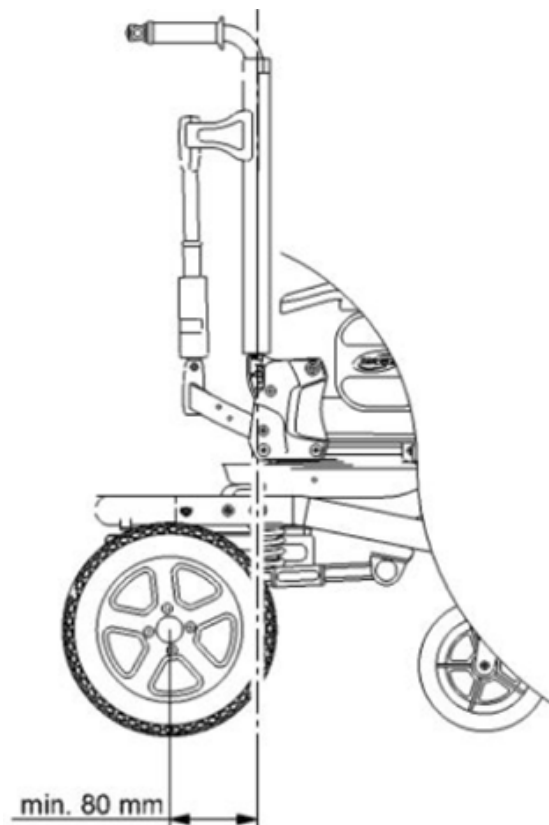
There must ALWAYS be at least 80 mm clearance between the backrest and the rear axle.

---

**Note**

If the mobility device is used with the drive lock-out, variations to the values stated below can occur. Please also refer to chapters 9.2.3.3 and 9.2.3.4.

---

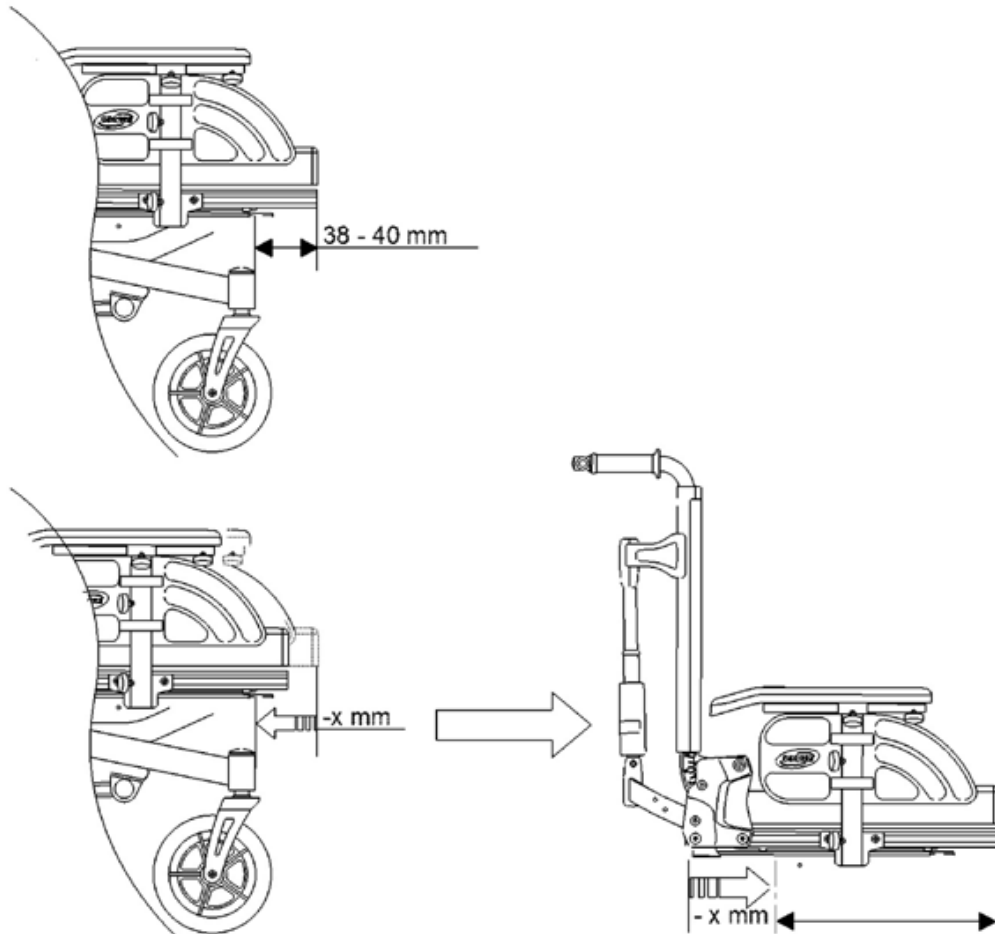


**Note**

The front edge of the seat frame profile should be located 38 to 40 mm in front of the steering heads of the castors.

If you decrease this value, make sure that

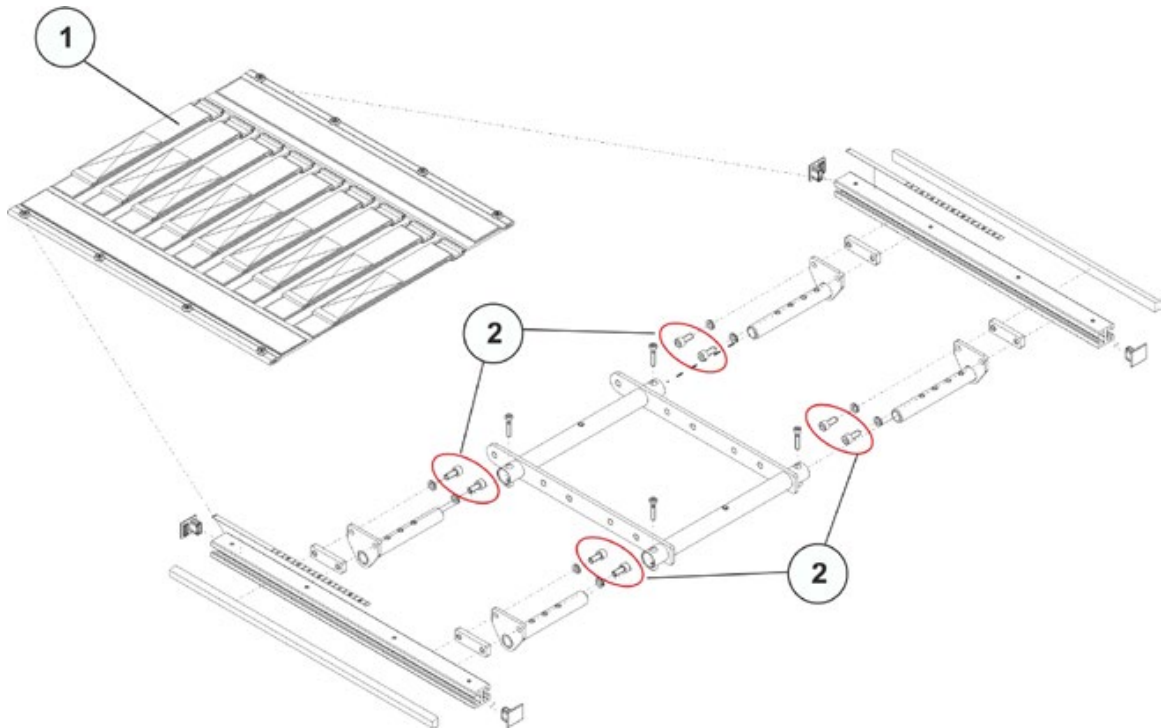
- you decrease the seat depth by the same value and
- there are no collisions between the legrests and the castors.



### 9.2.3.1 Adjustable seats

**Requirements:**

- 6 mm Allen key

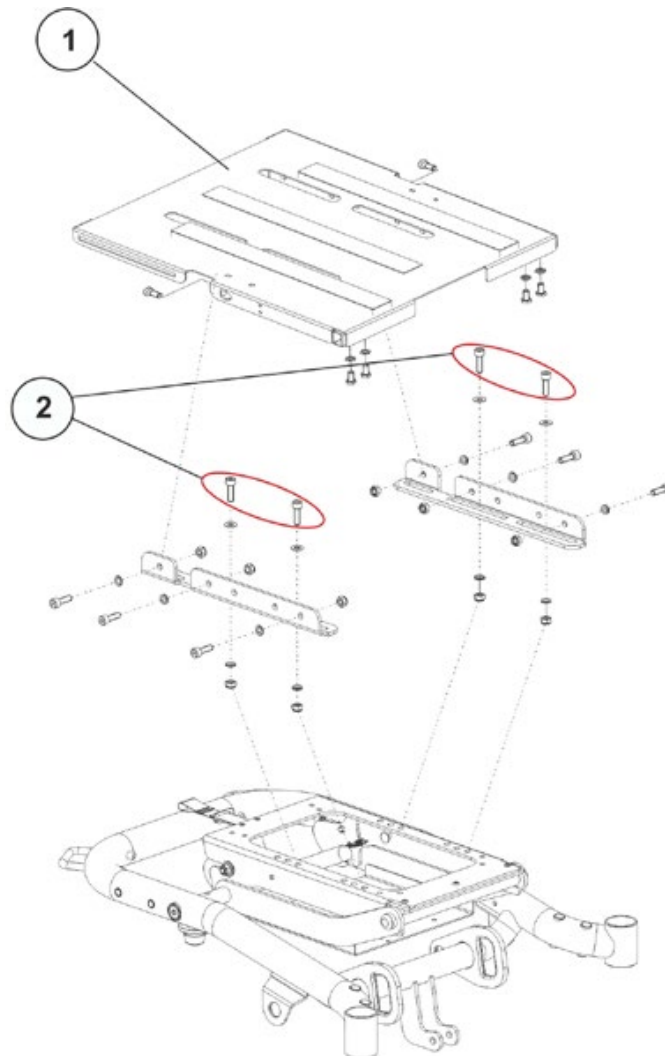


- Remove the seat plate or sling seat (1), see chapter 7.21.1.
- Loosen the socket head screws (2) in the front and rear, left and right – DO NOT remove.
- Shift the position of the seat.
- Re-tighten the screws.
- Install the seat plate or the sling seat again.

## 9.2.3.2 Simple seat

**Requirements:**

- 6 mm Allen key

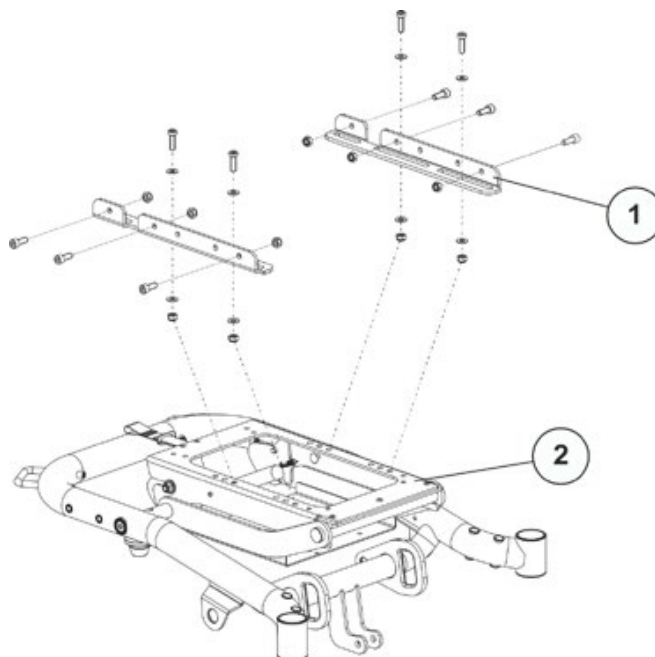


- Remove the seat plate (1) or the sling seat, see chapter 7.21.1.
- Loosen the socket head screws (2) in the front and rear, left and right – DO NOT remove.
- Shift the position of the seat frame.
- Re-tighten the screws.
- Install the seat plate again.



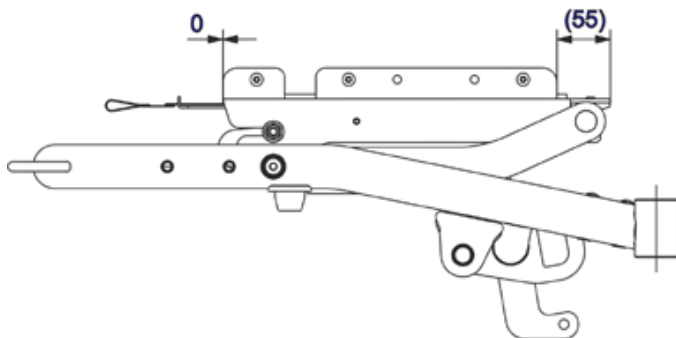
**9.2.3.3 Screw on position of the seat frame**

The center of gravity of the seat can be adjusted by mounting the seat frame (1) farther towards the front or the rear on the seat support (2), see also chapter 9.2.3.2.

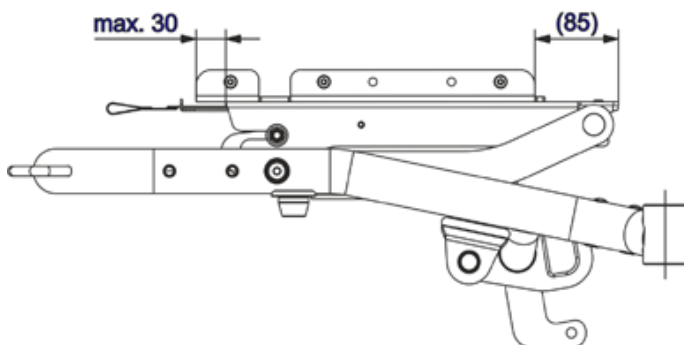


If the mobility device is used with drive lock-out choose different screw positions, for example:

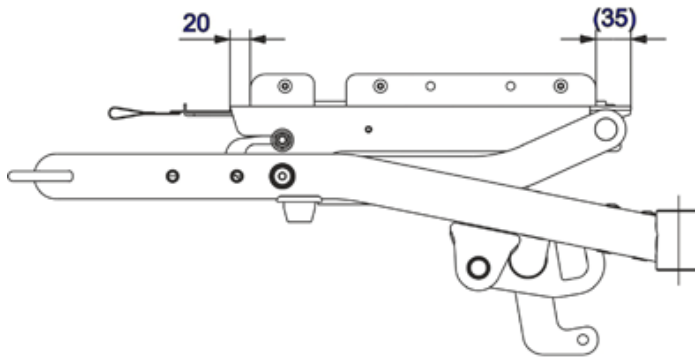
**Screw on position of the seat frame (1) on the seat support (with drive lock-out)**



**Screw on position of the seat frame (1) with Flex3 backrest, seat depth 51 cm (with drive lock-out)**



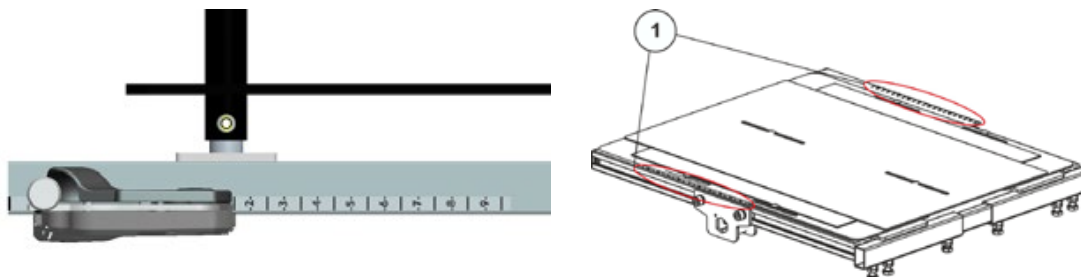
Screw on position of the seat frame (1) on the seat support (without drive lock-out)



9.2.3.4 Seat depth setting facilities

Adjust the seat depth using the profile scale (1) in accordance with the following table:

Example: Setting value 1,5



Flex3 backrest / with seat plates			
Seat width 38 cm	Profile length	Seat depth	Setting value / profile scale
	51 cm	41 cm	4,5
	51 cm	46 cm	2
	54,5 cm	51 cm	1
Seat width 43 cm	Profile length	Seat depth	Setting value / profile scale
	51 cm	41 cm	5
	51 cm	46 cm	2,5
	54,5 cm	51 cm	1,5
Seat width 48/ 53 cm	Profile length	Seat depth	Setting value / profile scale
	51 cm	41 cm	5,5
	51 cm	46 cm	3
	54,5 cm	51 cm	2
Flex3 backrest / sling seat			
Seat width 38 cm	Profile length	Seat depth	Setting value / profile scale
	51 cm	41 cm	3,5
	51 cm	46 cm	1
	54,5 cm	51 cm	0
Seat width 43 cm	Profile length	Seat depth	Setting value / profile scale
	51 cm	41 cm	4
	51 cm	46 cm	1,5
	54,5 cm	51 cm	0,5
Seat width 48/ 53 cm	Profile length	Seat depth	Setting value / profile scale
	51 cm	41 cm	4,5
	51 cm	46 cm	2
	54,5 cm	51 cm	1

<b>Mesh backrests / seat plates</b>			
<b>Seat width 38 / 43 / 48 / 53 cm</b>	<b>Profile length</b>	<b>Seat depth</b>	<b>Setting value / profile scale</b>
	51 cm	41 cm	<b>7,5</b>
	51 cm	46 cm	<b>5</b>
	51 cm	51 cm	<b>2,5</b>
<b>Spannrücken / seat plates</b>			
<b>Seat width 38 / 43 / 48 / 53 cm</b>	<b>Profile length</b>	<b>Seat depth</b>	<b>Setting value / profile scale</b>
	51 cm	41 cm	<b>6,5</b>
	51 cm	46 cm	<b>4</b>
	51 cm	51 cm	<b>1,5</b>
<b>MatrX (PB) / seat plates</b>			
<b>Seat width 38 / 43 cm</b>	<b>Profile length</b>	<b>Seat depth</b>	<b>Setting value / profile scale</b>
	51 cm	41 cm	<b>7</b>
	51 cm	46 cm	<b>5</b>
	51 cm	51 cm	<b>2,5</b>
<b>Seat width 48 cm (53 cm wird nicht angeboten)</b>	<b>Profile length</b>	<b>Seat depth</b>	<b>Setting value / profile scale</b>
	51 cm	41 cm	<b>7,5</b>
	51 cm	46 cm	<b>5</b>
	51 cm	51 cm	<b>3</b>
<b>MatrX (PB) /sling seat</b>			
<b>Seat width 38 / 43 cm</b>	<b>Profile length</b>	<b>Seat depth</b>	<b>Setting value / profile scale</b>
	51 cm	41 cm	<b>6</b>
	51 cm	46 cm	<b>4</b>
	51 cm	51 cm	<b>1</b>
<b>Seat width 48 cm (53 cm is not offered)</b>		<b>Seat depth</b>	<b>Setting value / profile scale</b>
	51 cm	41 cm	<b>7</b>
	51 cm	46 cm	<b>4</b>
	51 cm	51 cm	<b>1,5</b>

### 9.3 Check the tipping stability

Any change in the seating position can negatively influence the tipping stability of the electric wheelchair. For this reason, after adjusting the seating position, you should always verify the tipping stability of the wheelchair.

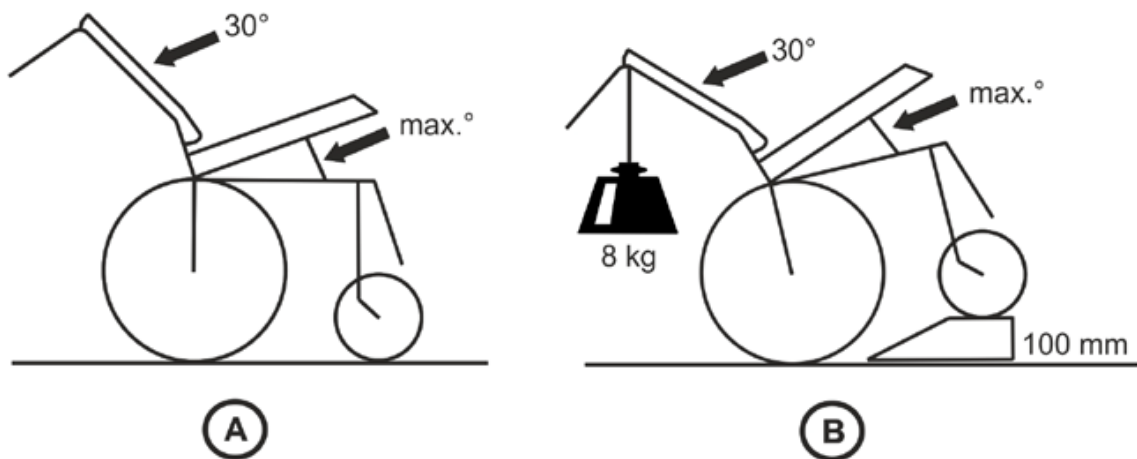


#### WARNING!

**Any changes to the drive program can affect the driving characteristics and the tipping stability of the vehicle!**

- *Changes to the drive program may only be carried out by trained Invacare® specialist dealers!*
- *Invacare® supplies all mobility devices with a standard drive program ex-works. Invacare® can only give a warranty for safe vehicle driving behaviour - especially the tipping stability - for this standard drive program!*

#### Tipping stability check



- Set the following angle on the wheelchair:
  - Backrest 30°
  - Seat tilt max.
- Allow the user to down in the wheelchair in a sitting position that is typical for them.
- Drive the front wheels of the wheelchair onto a step about 100 mm high. This can be done using a ramp, for example (illustration B).
- Make sure that the front wheels are pointed backwards compared to the direction of travel.
- Attach a reference weight of 8 kg to the push bar (illustration B).
- Verify that the wheelchair is at most in a balanced or "floating" condition in this position. This means that the front wheels can slightly lose contact with the ground, but the chair must not tip back onto its anti-tipper wheels.

If the wheelchair does not fall back onto its anti-tipper wheels, then the tipping stability is OK.

If the wheelchair falls back onto its anti-tipper wheels, then you must either:

- shift the center of gravity far enough forward that the chair does not fall onto the anti-tipper wheels or
- install the adaptor again.

You must repeat the steps described above after each modification to verify the tipping stability.