

# *Spare Parts Catalogue*

---

Version: 2015/08/05a EN



*Invacare*<sup>®</sup> **SPECTRA BLITZ**



**Yes, you can.®**

## **General Information**

*For any order of spare parts the following information is required:*

- Product type*
- Product name & model*
- Serial Number*
- Part-Number*
- Part-Description*

*Exploded view drawings and code numbers are not contractual and subject to modification, in relation to Invacare® continuous product improvement policy to meet end users needs.*

*The reproduction or use of this work, or of any substantial part of this work, in any form or by any electronic, mechanical or other means, including photocopying, scanning and recording, and in any information storage and retrieval system, including electronic transmission, is forbidden without the prior written permission of Invacare® International Sarl.*



Yes, you can.®

## TABLE OF CONTENTS

---

### Information & User Manuals

User Manuals Spectra Blitz .....	5
User Manuals REM34 & REM41 Tray/Centre Control .....	6
User Manuals Compact Dual Control .....	7
User Manual Proximity Head Remote DSL-105 .....	8
User Manuals ACS Handprogrammer .....	9

### Chassis

Main Frame .....	10
Battery Tray .....	11
Suspension & Anti Tipper .....	12
Front/Rear Covers .....	13

### Seat

Seat Board and Back Board Assemblies .....	14
Electr. Seat Tilt Adjustment .....	15
Manual Seat Tilt Adjustment Assembly .....	16
Seat Base and Side Frame Assemblies .....	17

### Backrest

Back Post Assemblies .....	18
Tension Adjustable Back .....	19
Back Support Assemblies .....	20
Push Handle Assembly .....	21

### Legrests / Hangers

Legrest Hanger Assemblies .....	22
Legrest Assemblies .....	23

### Armrests

Armrest Assemblies .....	24
--------------------------	----

### Castors

Front Castor Wheels .....	25
---------------------------	----

### Drive Wheels

Rear Wheels .....	26
-------------------	----

### Propulsion

Motor Gear Box .....	27
----------------------	----

### Remotes & Brackets

ACS Control Systems .....	28
Remote REM 24SD .....	29
G90 & Holder .....	30
Remote G91S & brackets .....	31



Yes, you can.®

## TABLE OF CONTENTS

---

Compact Dual Control with bracket .....	32
Compact Dual Control .....	33
Bracket, Compact Dual Control - short .....	34
ACS2 Powermodules .....	35
ACT for ACS 2 .....	36
ACS Handprogrammer .....	37
Shark Control Systems .....	38
Pilot Plus Control .....	39
Powermodule VR2 .....	40
Swing Away Remote Brackets .....	41
Holder Pilot+, swing away, high end .....	42
Attendant Control Mounting Hardware .....	43

### **Cable, Charger & Batteries**

Batteries .....	44
Charger .....	45
Battery support .....	46

### **Safety Options**

Wheel Lock / Parking Brake .....	47
----------------------------------	----

### **Seat Accessories**

Fixtures & Fittings .....	48
Seat Cushions and Lap Belt .....	49
Lateral Support Assemblies .....	50
Headrest Assemblies .....	51

### **Accessories**

Transportation Options .....	52
Tray Tables .....	53

# User Manuals Spectra Blitz

languages.io

BG	Български	FR	Français	NL	Nederlands	SV	Svenska
CS	Čeština	HE	עברית	NO	Norsk	UK	Українська
DA	Dansk	HR	Hrvatski	PL	Polski		
DE	Deutsch	HU	Magyar	PT	Português		
EN	English	IT	Italiano	RU	Русский		
ES	Español	JA	日本語	RO	Română		
ET	Eesti	LV	Latviešu	SK	Slovenčina		
FI	Suomi	LT	Lietuvių	SL	Slovenščina		

Pos.	Part number	Description	Valid from → until	Qty
EN	1533978	User Manual Spectra Blitz English		1
PT	1544882	User Manual Spectra Blitz portuguese		1
ES	1544883	User Manual Spectra Blitz spain		1
FR	SP1544881	User Manual Spectra Blitz French		1

## User Manuals REM34 & REM41 Tray/Centre Control

languages.io

BG	Български	FR	Français	NL	Nederlands	SV	Svenska
CS	Čeština	HE	עברית	NO	Norsk	UK	Українська
DA	Dansk	HR	Hrvatski	PL	Polski		
DE	Deutsch	HU	Magyar	PT	Português		
EN	English	IT	Italiano	RU	Русский		
ES	Español	JA	日本語	RO	Română		
ET	Eesti	LV	Latviešu	SK	Slovenčina		
FI	Suomi	LT	Lietuvių	SL	Slovenščina		

Pos.	Part number	Description	Valid from → until	Qty
DA	SP1538022	User Manual REM41 Tray Control Danish		1
EN	SP1538023	User Manual REM41 Tray Control English		1
ES	SP1538024	User Manual REM41 Tray Control Spanish		1
FR	SP1538025	User Manual REM41 Tray Control French		1
IT	SP1538026	User Manual REM41 Tray Control Italian		1
NL	SP1538027	User Manual REM41 Tray Control Dutch		1
NO	SP1538028	User Manual REM41 Tray Control Norwegian		1
PT	SP1538029	User Manual REM41 Tray Control Portuguese		1
SV	SP1538030	User Manual REM41 Tray Control Swedish		1
CS	SP1538031	User Manual REM41 Tray Control Czech		1
SL	SP1538032	User Manual REM41 Tray Control Slovenian		1
DE	SP1541402	User Manual REM41 Tray Control German		1

# User Manuals Compact Dual Control

languages.io

BG	Български	FR	Français	NL	Nederlands	SV	Svenska
CS	Čeština	HE	עברית	NO	Norsk	UK	Українська
DA	Dansk	HR	Hrvatski	PL	Polski		
DE	Deutsch	HU	Magyar	PT	Português		
EN	English	IT	Italiano	RU	Русский		
ES	Español	JA	日本語	RO	Română		
ET	Eesti	LV	Latviešu	SK	Slovenčina		
FI	Suomi	LT	Lietuvių	SL	Slovenščina		

Pos.	Part number	Description	Valid from → until	Qty
BG	SP1589186	User Manual Compact Dual Control - Bulgarian		1
CS	SP1589313	User Manual Compact Dual Control - Czech		1
DA	SP1588488	User Manual Compact Dual Control - Danish		1
DE	SP1588489	User Manual Compact Dual Control - German		1
EN	SP1588462	User Manual Compact Dual Control - English		1
ES	SP1588496	User Manual Compact Dual Control - Spanish		1
ET	SP1589311	User Manual Compact Dual Control - Estonian		1
FI	SP1588490	User Manual Compact Dual Control - Finnish		1
FR	SP1588491	User Manual Compact Dual Control - French		1
HR	SP1589314	User Manual Compact Dual Control - Croatian		1
HU	SP1589315	User Manual Compact Dual Control - Hungarian		1
IT	SP1588492	User Manual Compact Dual Control - Italian		1
LV	SP1589317	User Manual Compact Dual Control - Latvian		1
LT	SP1589316	User Manual Compact Dual Control - Lithuanian		1
NL	SP1588493	User Manual Compact Dual Control - Dutch		1
NO	SP1588494	User Manual Compact Dual Control - Norwegian		1
PL	SP1589318	User Manual Compact Dual Control - Polish		1
PT	SP1588495	User Manual Compact Dual Control - Portuguese		1
RU	SP1589320	User Manual Compact Dual Control - Russian		1
RO	SP1589319	User Manual Compact Dual Control - Romanian		1
SK	SP1589321	User Manual Compact Dual Control - Slovak		1
SL	SP1589322	User Manual Compact Dual Control - Slovenian		1
SV	SP1588497	User Manual Compact Dual Control - Swedish		1
UK	SP1589323	User Manual Compact Dual Control - Ukrainian		1

# User Manual Proximity Head Remote DSL-105

languages.io

BG	Български	FR	Français	NL	Nederlands	SV	Svenska
CS	Čeština	HE	עברית	NO	Norsk	UK	Українська
DA	Dansk	HR	Hrvatski	PL	Polski		
DE	Deutsch	HU	Magyar	PT	Português		
EN	English	IT	Italiano	RU	Русский		
ES	Español	JA	日本語	RO	Română		
ET	Eesti	LV	Latviešu	SK	Slovenčina		
FI	Suomi	LT	Lietuvių	SL	Slovenščina		

Pos.	Part number	Description	Valid from → until	Qty
EN	SP1555731	User Manual Proximity Head Remote DSL-105 English		1
DE	SP1555732	User Manual Proximity Head Remote DSL-105 German		1
FR	SP1555733	User Manual Proximity Head Remote DSL-105 French		1
DA	SP1555839	User Manual Proximity Head Remote DSL-105 Danish		1
ES	SP1555840	User Manual Proximity Head Remote DSL-105 Spanish		1
FI	SP1555841	User Manual Proximity Head Remote DSL-105 Finnish		1
IT	SP1555842	User Manual Proximity Head Remote DSL-105 Italian		1
NL	SP1555843	User Manual Proximity Head Remote DSL-105 Dutch		1
NO	SP1555844	User Manual Proximity Head Remote DSL-105 Norwegian		1
PT	SP1555845	User Manual Proximity Head Remote DSL-105 Portuguese		1
SV	SP1555846	User Manual Proximity Head Remote DSL-105 Swedish		1



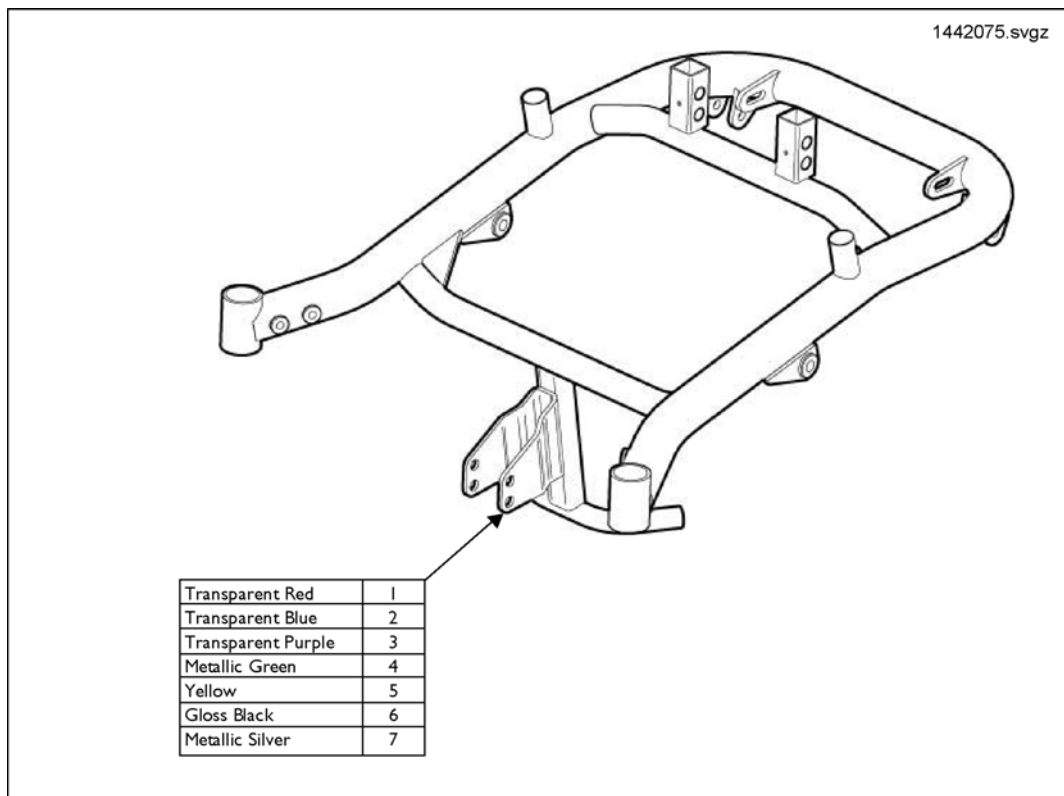
# User Manuals ACS Handprogrammer

languages.io

BG	Български	FR	Français	NL	Nederlands	SV	Svenska
CS	Čeština	HE	עברית	NO	Norsk	UK	Українська
DA	Dansk	HR	Hrvatski	PL	Polski		
DE	Deutsch	HU	Magyar	PT	Português		
EN	English	IT	Italiano	RU	Русский		
ES	Español	JA	日本語	RO	Română		
ET	Eesti	LV	Latviešu	SK	Slovenčina		
FI	Suomi	LT	Lietuvių	SL	Slovenščina		

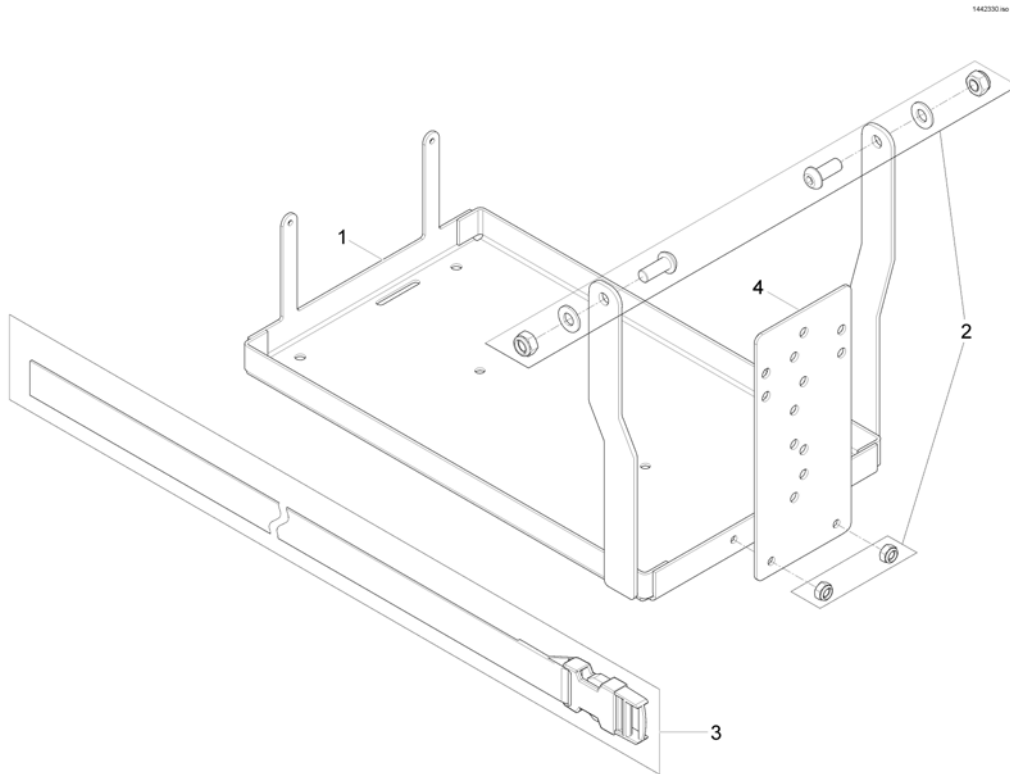
Pos.	Part number	Description	Valid from → until	Qty
DE	1419316	User Manual Handheld Programmer German		1
EN	1419317	User Manual Handheld Programmer English		1

# Main Frame



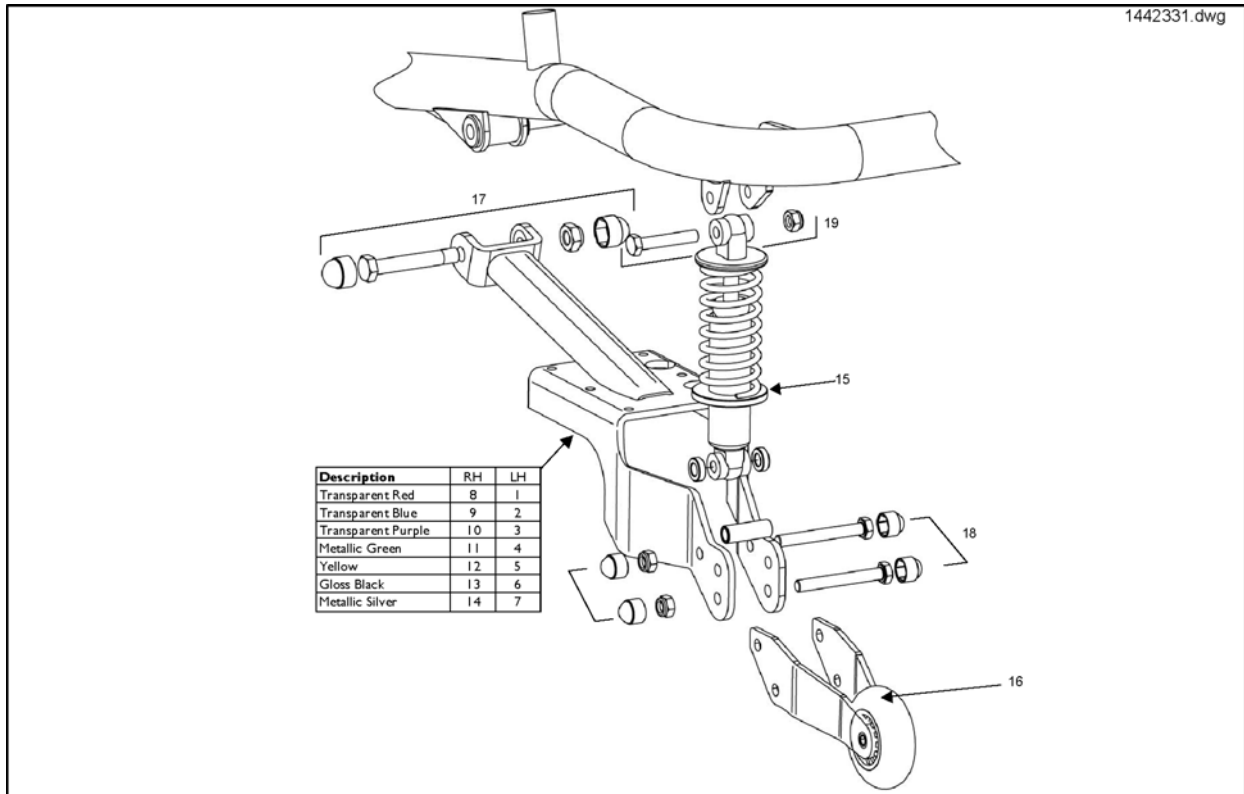
Pos.	Part number	Description	Valid from → until	Qty
-	SP1553896	Touch-up paint, transparent blue		1
-	SP1553897	Touch-up paint, transparent green		1
-	SP1553898	Touch-up paint, transparent red		1
-	SP1552603	Touch-up paint, silver		1
-	SP1553899	Touch-up paint, Black		1
-	SP1553900	Touch-up paint, transparent purple		1
-	1448891	Blitz Decal		1
1	1442075-0200	Main Frame Transparent Red		1
2	1442075-0201	Main Frame Transparent Blue		1
3	1442075-0202	Main Frame Transparent Purple		1
4	1442075-0203	Main Frame Metallic Green		1
5	1442075-0204	Main Frame Yellow		1
6	1442075-0219	Main Frame Gloss Black		1
7	1442075-0221	Main Frame Metallic Silver		1
8	1442075-0229	Main Frame Assy Blitzpink		1

# Battery Tray

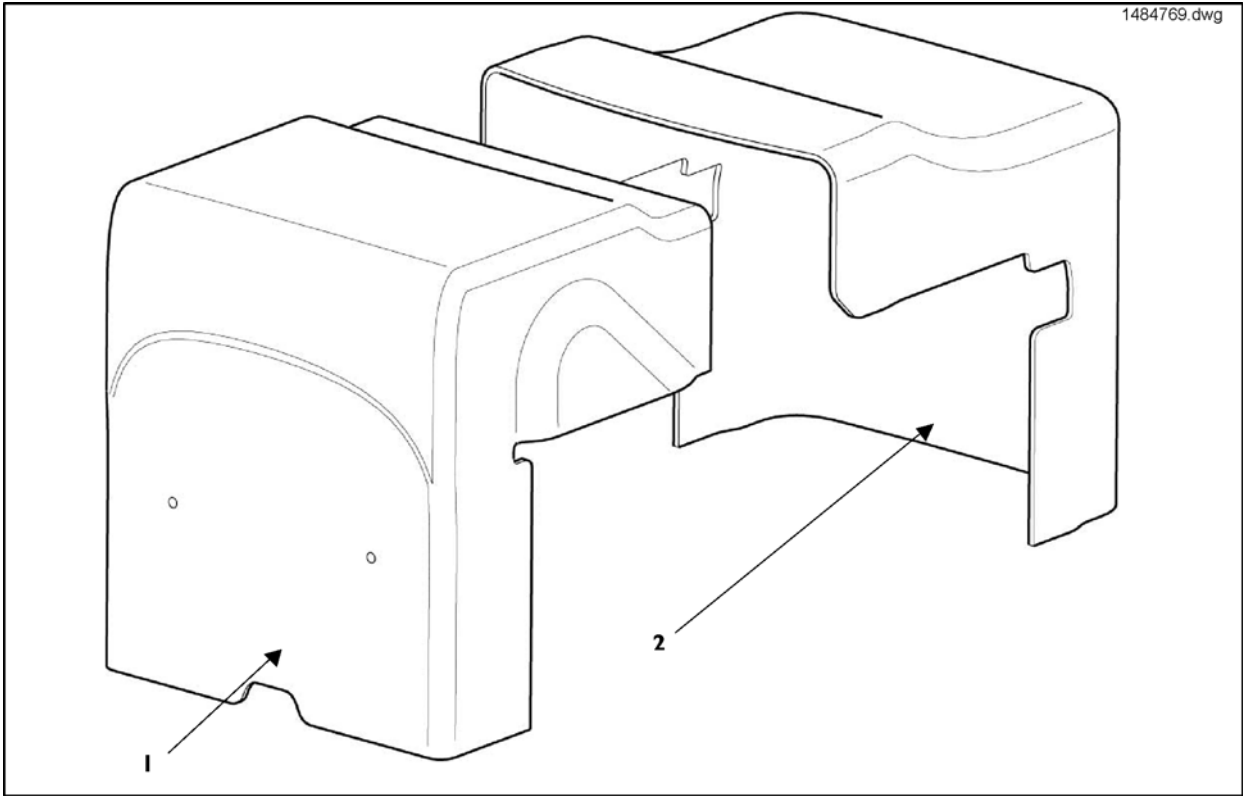


Pos.	Part number	Description	Valid from → until	Qty
1	1442330-0216	Battery Tray		1
2	1450891	Battery Tray Fastener Kit		1
3	B284019	Belt		1
4	60000264-0205	Alm Rec Box Brkt Texblk		1

# Suspension & Anti Tipper

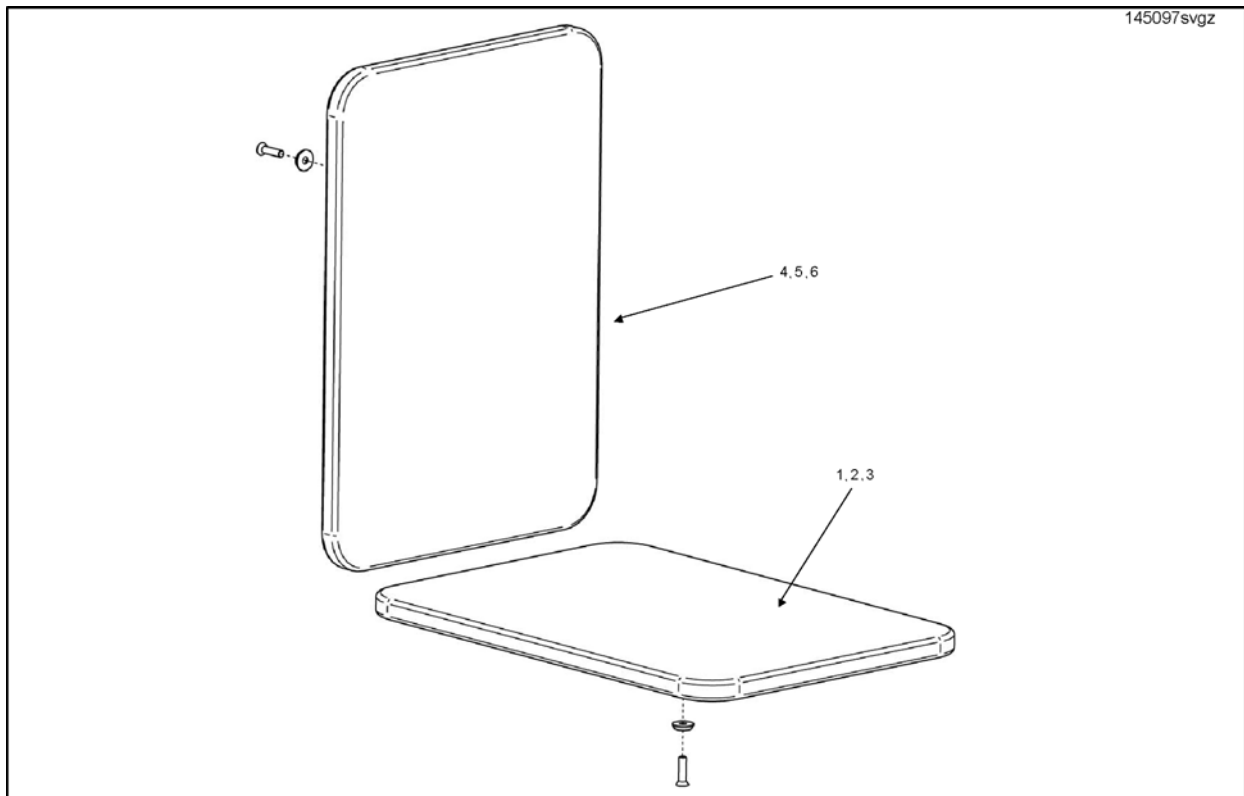


Pos.	Part number	Description	Valid from → until	Qty
1	1442331-0200	Left Swing Arm Transparent Red		1
2	1442331-0201	Left Swing Arm Transparent Blue		1
3	1442331-0202	Left Swing Arm Transparent Purple		1
4	1442331-0203	Left Swing Arm Metallic Green		1
5	1442331-0204	Left Swing Arm Yellow		1
6	1442331-0219	Left Swing Arm Gloss Black		1
7	1442331-0221	Left Swing Arm Metallic Silver		1
8	1442332-0200	Right Swing Arm Transparent Red		1
9	1442332-0201	Right Swing Arm Transparent Blue		1
10	1442332-0202	Right Swing Arm Transparent Purple		1
11	1442332-0203	Right Swing Arm Metallic Green		1
12	1442332-0204	Right Swing Arm Yellow		1
13	1442332-0219	Right Swing Arm Gloss Black		1
14	1442332-0221	Right Swing Arm Metallic Silver		1
15	1484318	Damper Assembly (Used Left and Right)		1
16	1451444	Anti Tipper Assy (Used Left and Right)		1
17	1478447	Swing Arm Pivot Fastener Kit		1
18	1451466	Swing Arm Rear Fastener Kit		1
19	1450892	Damper-Frame Fastener Kit		1
20	1442331-0229	Left Swingarm Pink		1
21	1442332-0229	Right Swingarm Pink		1

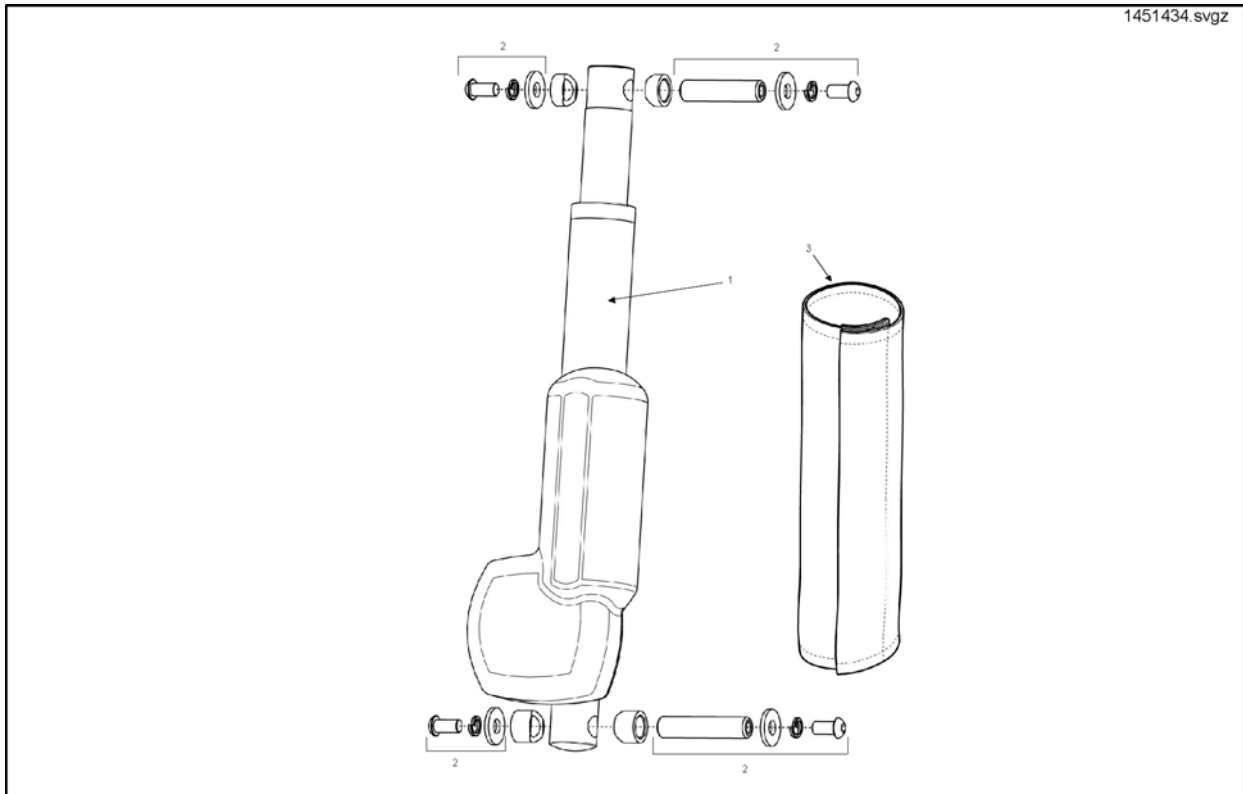


Pos.	Part number	Description	Valid from → until	Qty
1	1484769	Front Cover & Fixing Kit		1
2	1478448	Rear Cover		1

## Seat Board and Back Board Assemblies

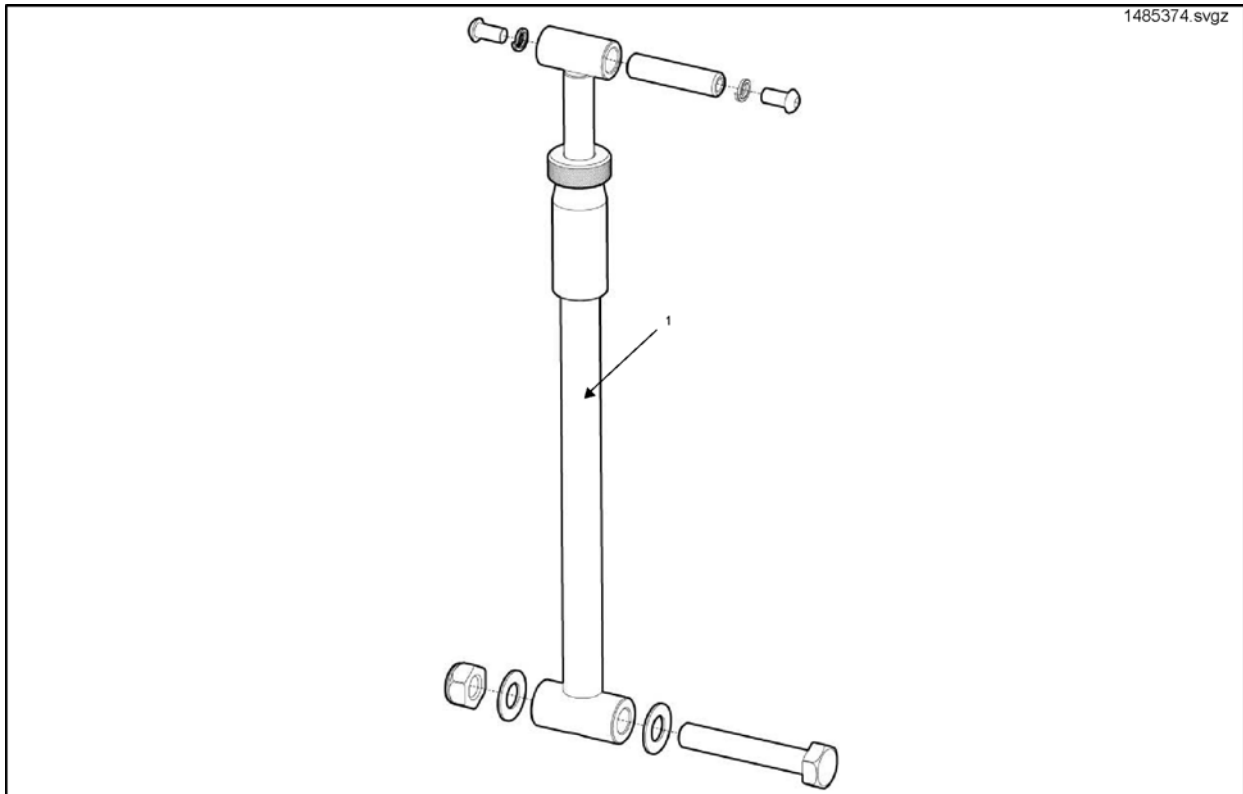


Pos.	Part number	Description	Valid from → until	Qty
1	1450974	25cm Seat Board Assembly		1
2	1450989	30cm Seat Board Assembly		1
3	1450990	35cm Seat Board Assembly		1
4	1450975	25cm Backboard Assembly		1
5	1450999	30cm Backboard Assembly		1
6	1451000	35cm Backboard Assembly		1



Pos.	Part number	Description	Valid from → until	Qty
-	SP1523412	Extension cable		1
1	1451434	Actuator Assembly Kit, cpl		1
2	1451443	Actuator Bearing Kit		1
3	1442357	Cover Rec B/Rest Ratchet		1

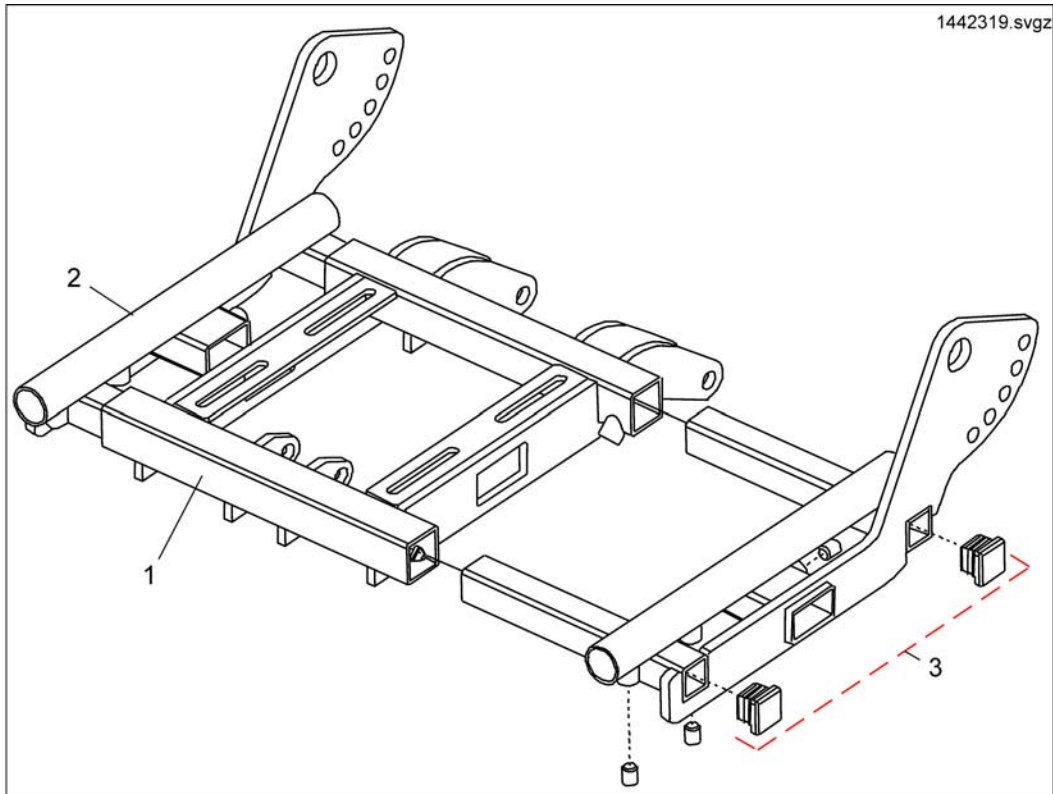
# Manual Seat Tilt Adjustment Assembly



Pos.	Part number	Description	Valid from → until	Qty
1	SP1485374	Manual Seat Tilt Adjustment Assembly		1

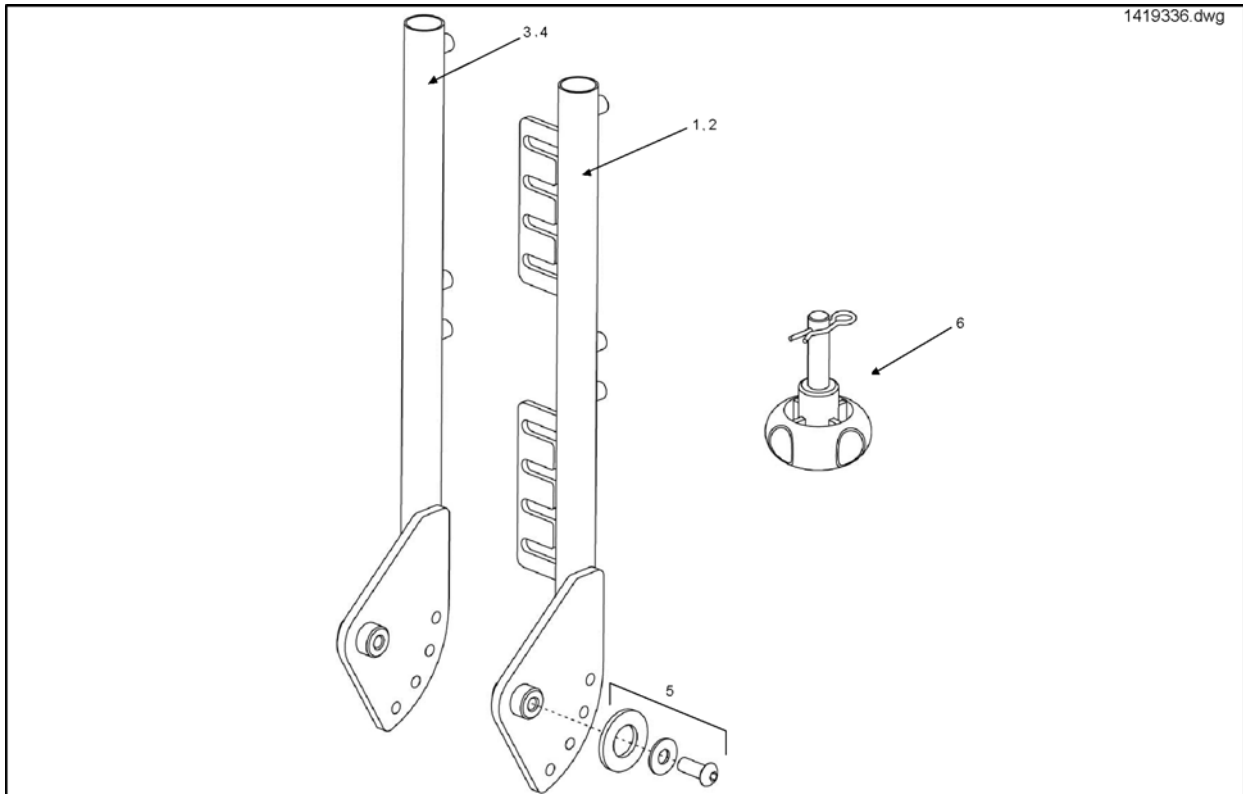


## Seat Base and Side Frame Assemblies

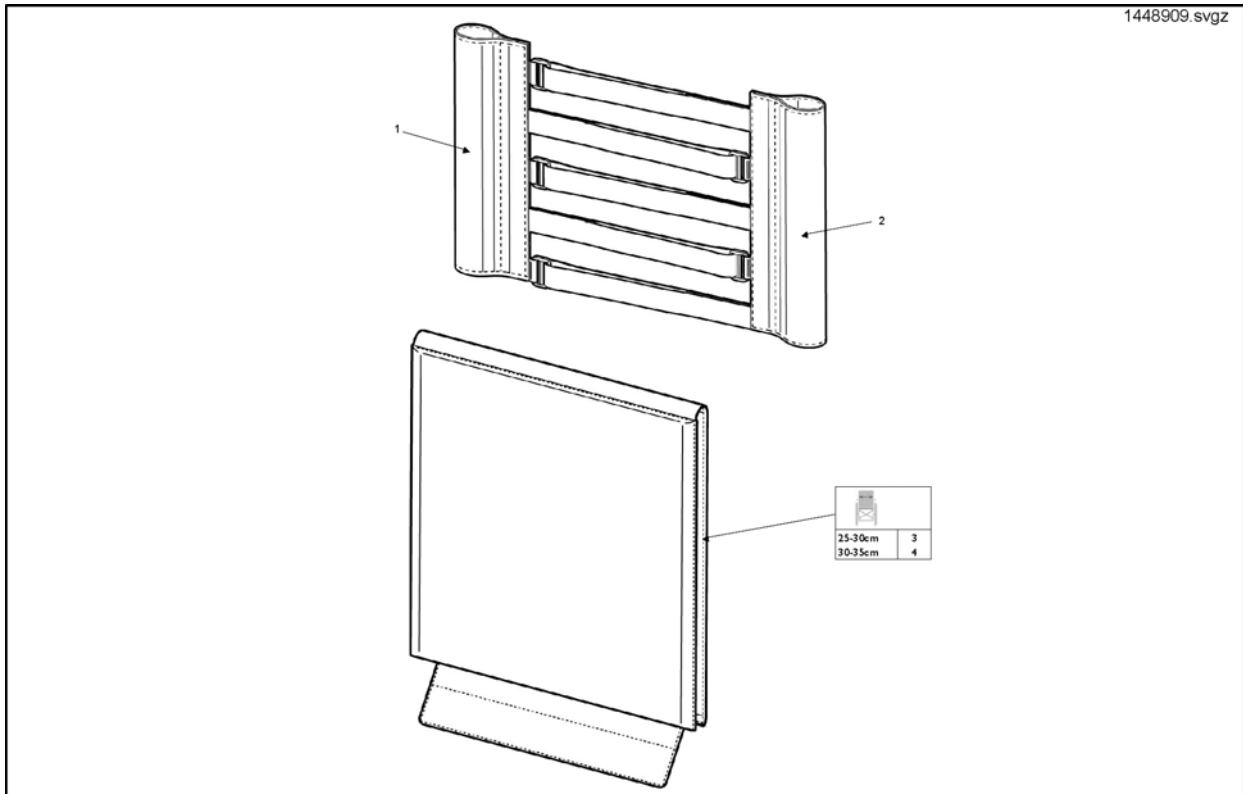


Pos.	Part number	Description	Valid from → until	Qty
1	1442319-0216	Seat Frame Assembly		1
2	1450968	RH Side Frame Assembly, cpl		1
3	1450969	LH Side Frame Assembly, cpl		1

# Back Post Assemblies

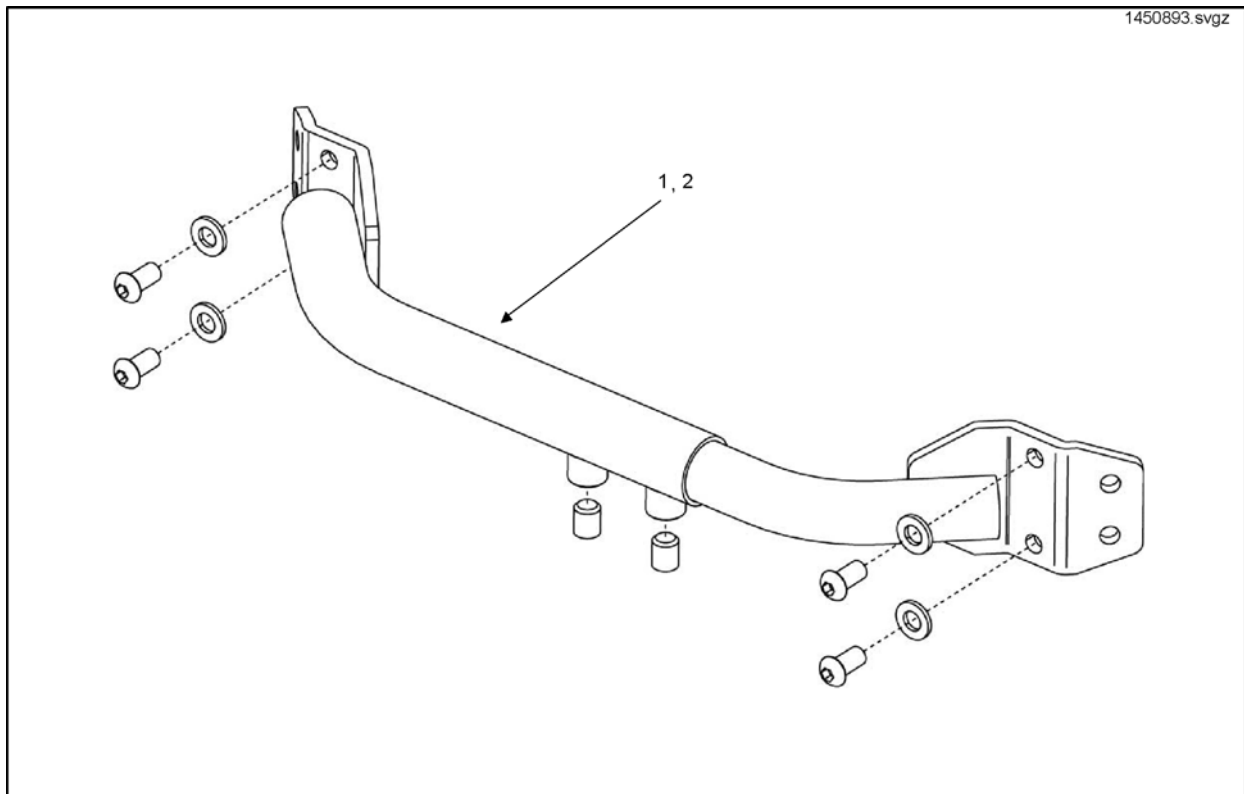


Pos.	Part number	Description	Valid from → until	Qty
1	1442321-0216	RH Back Post Assy		1
2	1442322-0216	LH Back Post Assy		1
3	1450006-0216	RH Flangeless Back Post Assy		1
4	1450007-0216	LH Flangeless Back Post Assy		1
5	1451649	Back Post Fastener Kit		1
6	1450881	M8 Hand Wheel and Clevis Pin Assembly		1

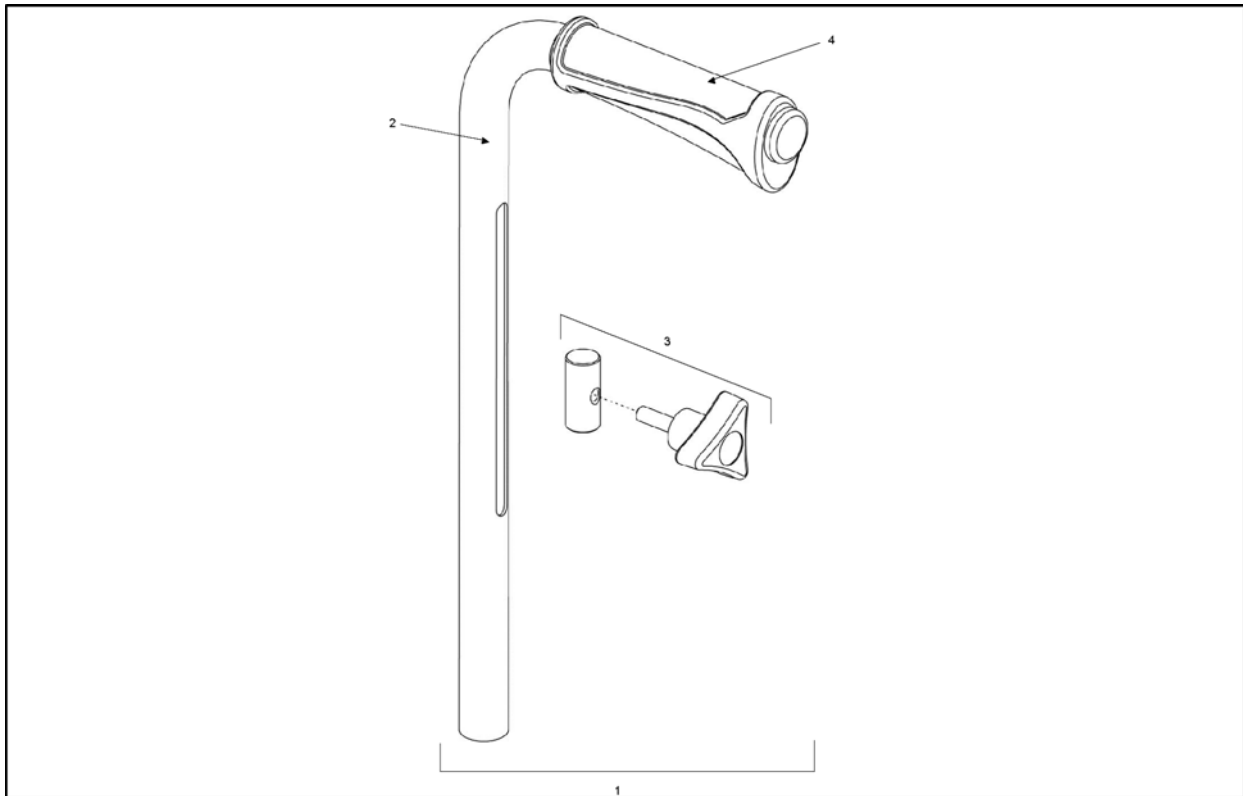


Pos.	Part number	Description	Valid from → until	Qty
1	1448909	Inner Tension Adjustable Back Upholstery (Top Left)		1
2	1448910	Inner Tension Adjustable Back Upholstery (Top Right)		1
3	1448915-0207	Tension Adjustable Back Cushion - 25 - 30cm		1
4	1448916-0207	Tension Adjustable Back Cushion - 30 - 35cm		1

## Back Support Assemblies

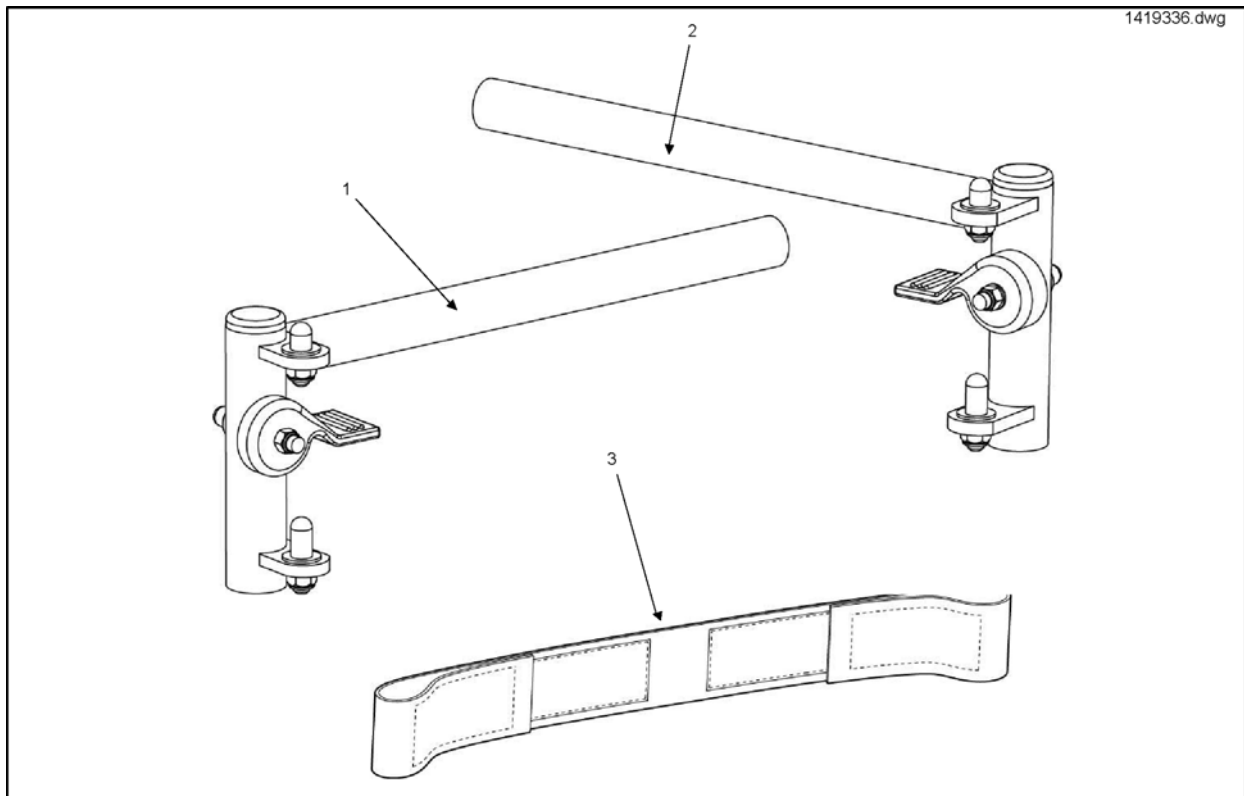


Pos.	Part number	Description	Valid from → until	Qty
1	1450893	Back Support Assembly Kit, cpl 25-30cm		1
2	1450966	Back Support Assembly Kit, cpl 30-35cm		1



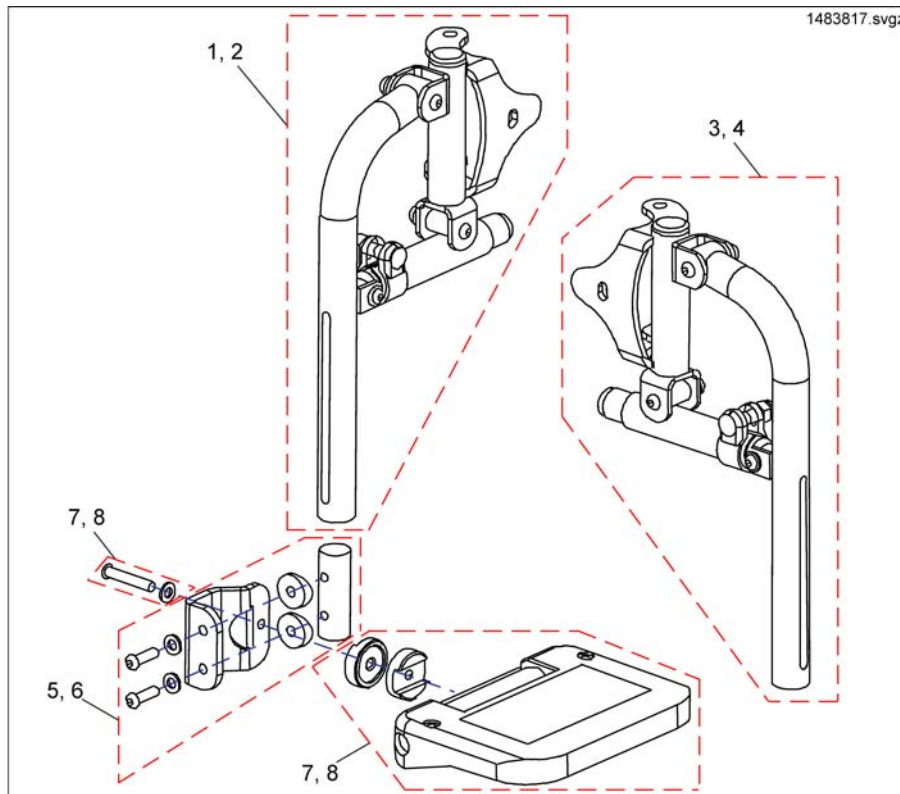
Pos.	Part number	Description	Valid from → until	Qty
1	1451650	Push Handle Assembly, cpl - 1 Off		1
2	1478430	Push Handle Assembly - 1 Off		1
3	1451651	Push Handle Fastener Kit - 1 Off		1
4	1435421	Handle plastic black Ø22 "Invacare"		1

# Legrest Hanger Assemblies



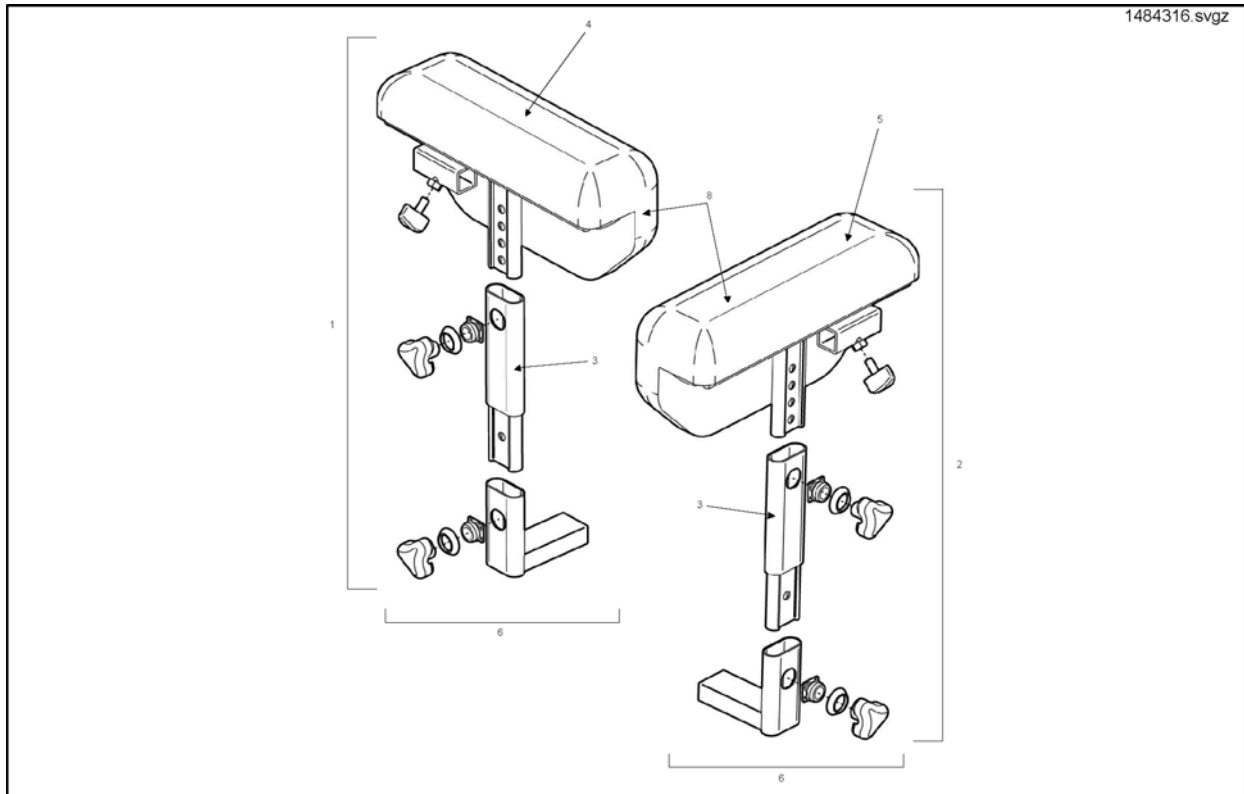
Pos.	Part number	Description	Valid from → until	Qty
1	1451192	Hanger Legrest Swingaway LH		1
2	1451191	Hanger Legrest Swingaway RH		1
3	99000236	Calf Strap Black		1

## Legrest Assemblies



Pos.	Part number	Description	Valid from → until	Qty
1	1483817	RH Legrest Assembly, cpl		1
2	1478418	RH Long Legrest Assembly, cpl		1
3	1451711	LH Legrest Assembly, cpl		1
4	1451433	LH Long Legrest Assembly, cpl		1
5	1478415	Footplate Bracket Assembly (Short Legrest) - 1 Off		1
6	1484782	Footplate Bracket Assy (Long Legrest) - 1 Off		1
7	1483819	Footplate		1
8	1483818	Small Footplate Kit (25-30cm Chair) - 1 Off		1

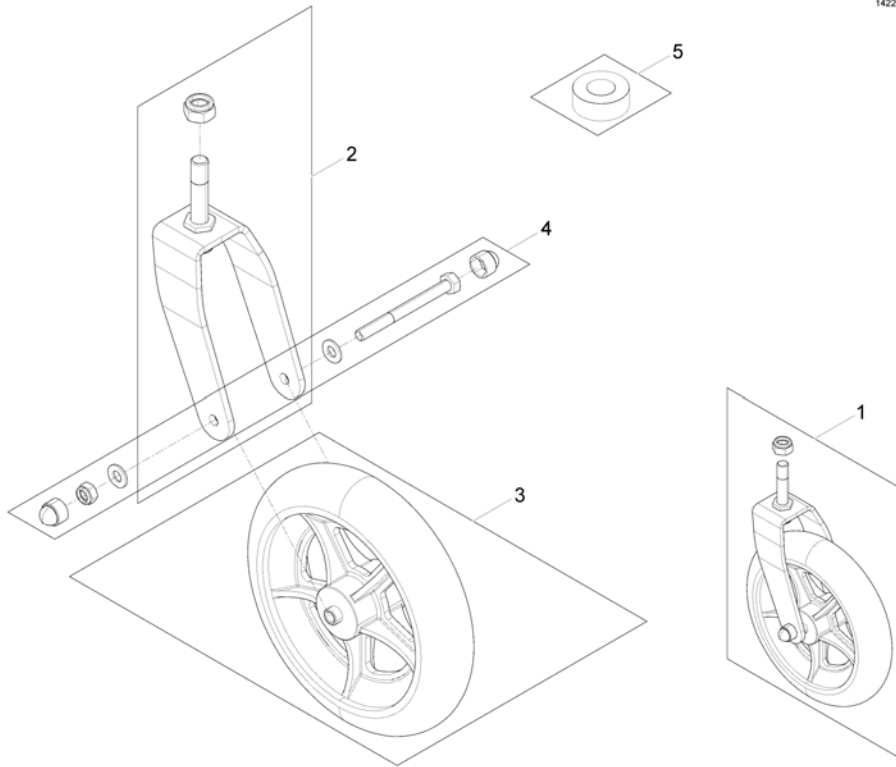
## Armrest Assemblies



Pos.	Part number	Description	Valid from → until	Qty
1	1484316	RH Armrest Assembly, cpl		1
2	1484317	LH Armrest Assembly, cpl		1
3	1442326-0216	Armrest Support Assembly - 1 Off		1
4	1451465	RH Armpad With Support Assembly		1
5	1478449	LH Armpad With Support Assembly		1
6	1436966	Mounting bracket for Armrest, short		1
6	1485103	Siderest Mounting Bracket, cpl. - long (+40mm)		1
7	1451648	Armrest Fastener Kit		1
8	1450008-0228	Armpad Complete (Black)		1

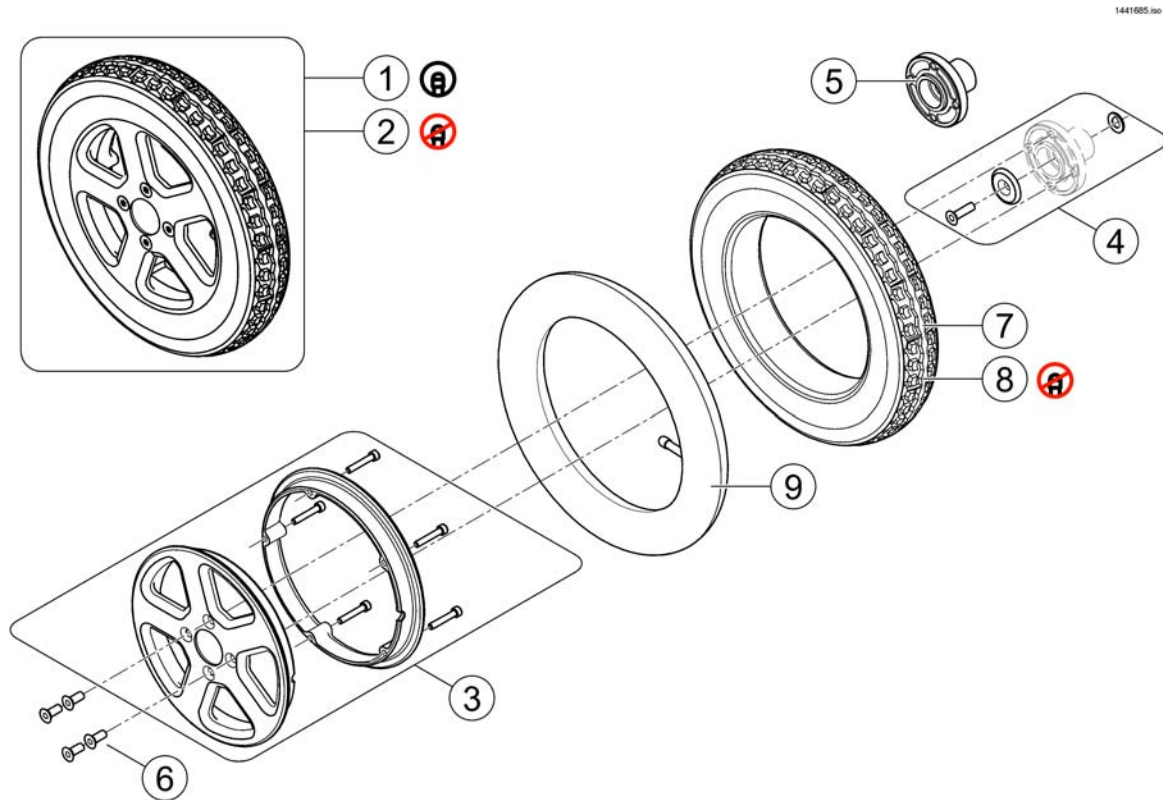


1422367.000



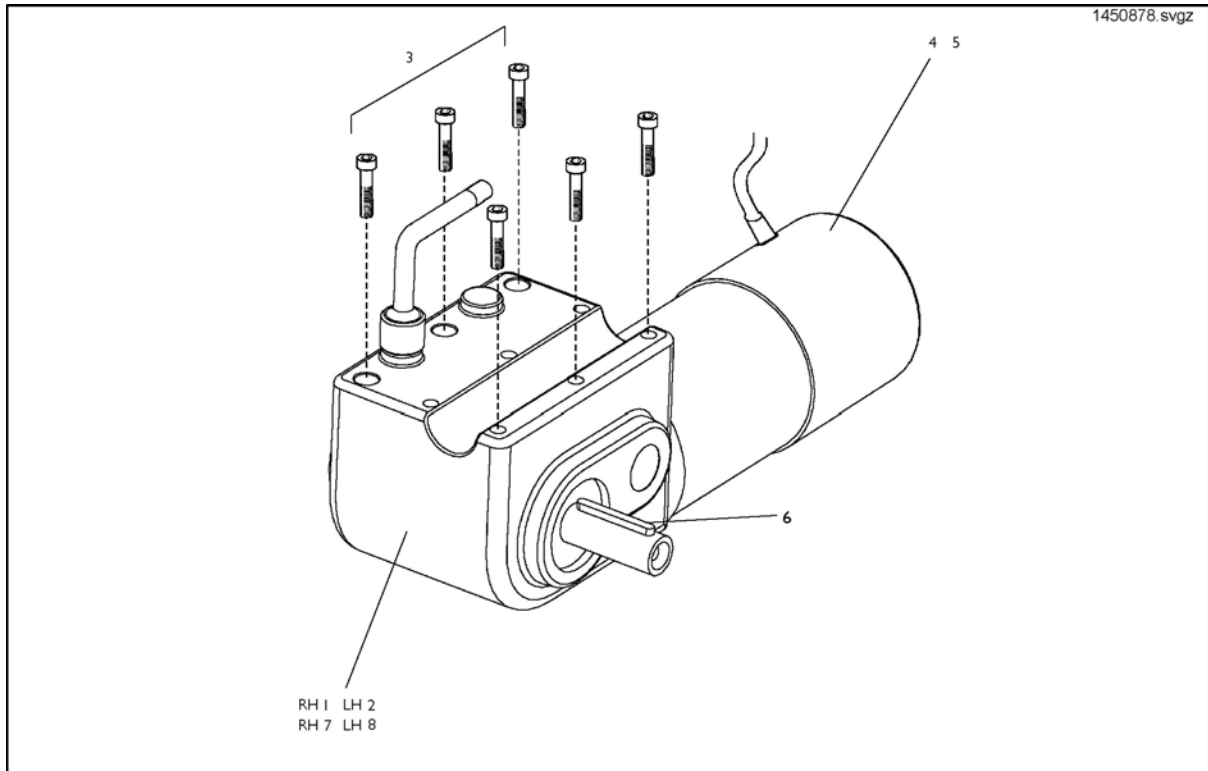
Pos.	Part number	Description	Valid from → until	Qty
1	SP1422367	Front castor with wheel, cpl.		1
2	SP1433119	Front fork		1
-	-	Wheel design has changed! Please order for both sides if required...		0
3	SP1579513	Castor With Spoked Rim 8" (200X45mm), Solid <i>replaces 1418196 / AH478810 ==&gt;</i>	2014-04-11 →	1
4	1441652	Castor Fixing Kit		1
5	N00204	Bearing - Castor Stem		1

## Rear Wheels



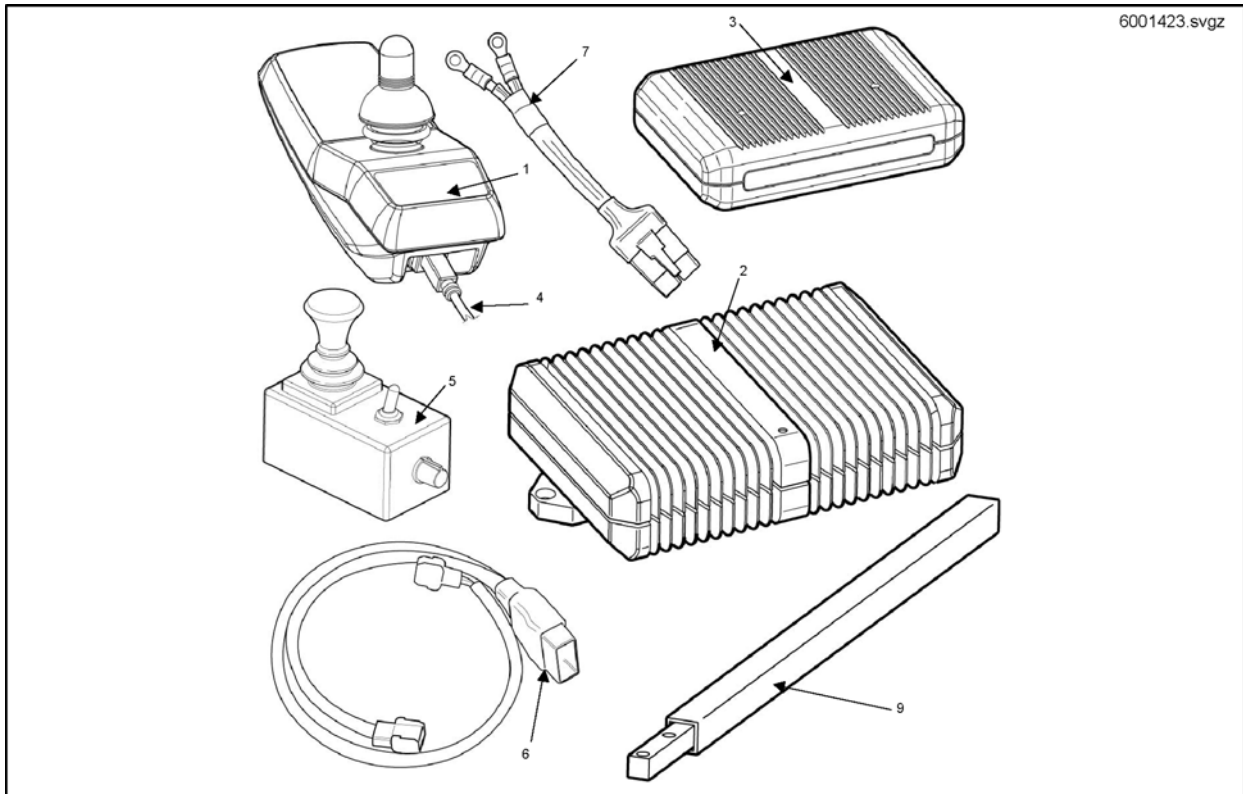
Pos.	Part number	Description	Valid from → until	Qty
1	SP1580095	Wheel (12.5" x 2.25") Pneumatic with Tube, cpl. with 4 screws - No hub		1
2	SP1580097	Wheel (12.5" x 2.25") Solid puncture proof, cpl. with 4 screws - No hub		1
2	SP1585241	Wheel (12.5") PU Fishbone pattern, LH, cpl. with 4 screws - No hub <i>Not shown / nicht abgebildet / non illustré</i>		1
2	SP1585242	Wheel (12.5") PU Fishbone pattern, RH, cpl. with 4 screws - No hub <i>Not shown / nicht abgebildet / non illustré</i>		1
3	1442602	Wheel Rim Kit black, cpl.		1
4	SP1580098	Hub Mounting Kit (A)		1
5	1509053-0002	Wheel Hub, 4-hole		1
6	1496138	Countersunk bolt M8x25-12.9 zc - DIN7991 (each)		4
7	M11005	Tire 12.5" x 2.25"		1
8	23009262	Tire 12.5" x 2.25" Puncture Proof		1
9	M12004	Inner Tube 12.5" x 2.25"		1

## Motor Gear Box



Pos.	Part number	Description	Valid from → until	Qty
1	SP1450878	RH Motor Gearbox (Shark and ACS Systems Only)		1
2	SP1450879	LH Motor Gearbox (Shark and ACS Systems Only)		1
3	1441971	Motor Gearbox Fixation Kit		1
4	1441655	Motor Brush Set (Hua-Feng)		1
5	1441656	Motor Electro-Magnetic Replacement Brake Kit		1
6	N23004	Feather key DIN6885-A-6x6x40		1
7	SP1451318	RH Motor Gearbox (Pilot Plus and VSI Systems Only)		1
8	SP1451317	LH Motor Gearbox (Pilot Plus and VSI Systems Only)		1
9	1513563	RH Motor Gearbox VR2 Only		1
10	1513564	LH Motor Gearbox VR2 Only		1

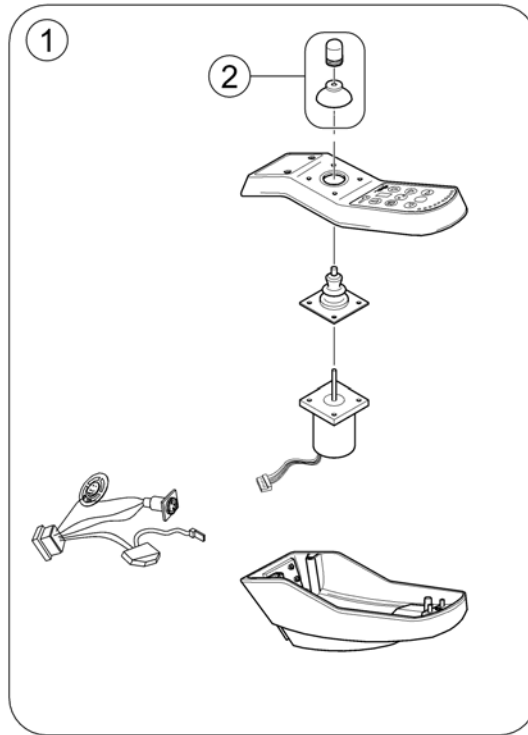
# ACS Control Systems



Pos.	Part number	Description	Valid from → until	Qty
-	1449280	USW wizard dongle kit, EDL-USW, cpl.		1
-	SP1413795	Protective Cover Powermodul		1
1	-	Remote REM 24SD		0
2	-	No longer available - please refer to Replacement Info for which part is to be used instead. <i>ACS Powermodule DX-PMB-AS 60A replaced by ACS2 Powermodule</i>		0
3	P10081	ACS Light/Actuator Module (Clam)		1
4	GSM63011	Bus cable ACS, 1100mm		1
5	6001425	ACS dual control		1
6	1450522	ACS Clam Lead 2 Actuator		1
7	1448941	ACS Power Lead (Terminal Covers Included)		1
8	SPGSM63005	Bus cable ACS, 500mm		1
9	1441778-0205	Joystick Tube Assy Black		1
10	SP1526337	Holder Chin Control ACS RH/LH (with cable)		1

# Remote REM 24SD

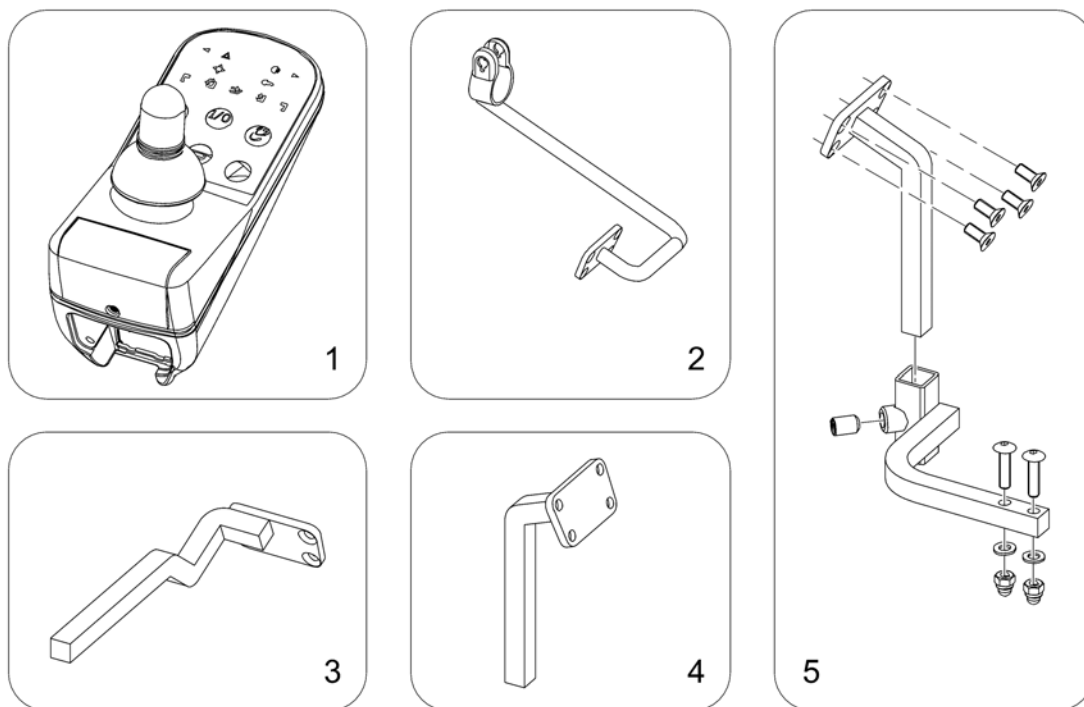
142292 800



Pos.	Part number	Description	Valid from → until	Qty
1	1436541	Remote REM24SD		1
2	SPZ183229	Remote knob cpl.		1

## G90 & Holder

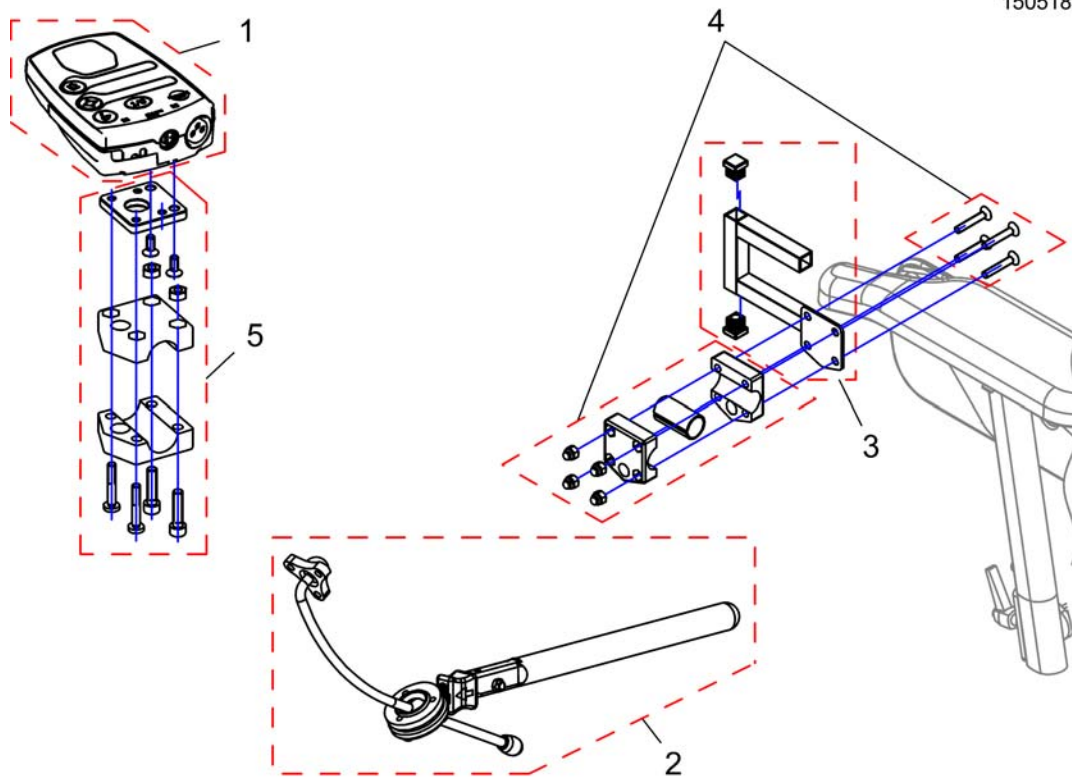
1504720\_SP.ilo



Pos.	Part number	Description	Valid from → until	Qty
1	SP1504720	Remote G90A		1
2	SP1509696	Holder Attendant Control G90A RH		1
2	SP1509702	Holder Attendant Control G90A LH		1
3	SP1518449	Remote Support Standard RH		1
3	SP1518450	Remote Support Standard LH		1
4	SP1505054	Remote Holder		1
5	1518367	Remote Holder Swing-Away (Spectra-Blitz)		1

# Remote G91S & brackets

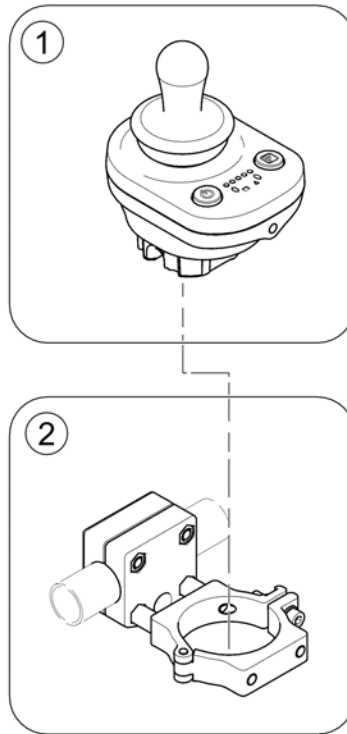
1505187.dwg



Pos.	Part number	Description	Valid from → until	Qty
1	SP1505187	Remote Control G91S		1
2	SP1527504	Swan neck remote bracket with adapter plate		1
3	SP1509711	Adapter G91 RH		1
3	SP1509716	Adapter G91 LH		1
4	SP1527503	Gripper clamp cpl.		1
5	SP1528271	Holder for backrest tube		1

## Compact Dual Control with bracket

1588855.iss

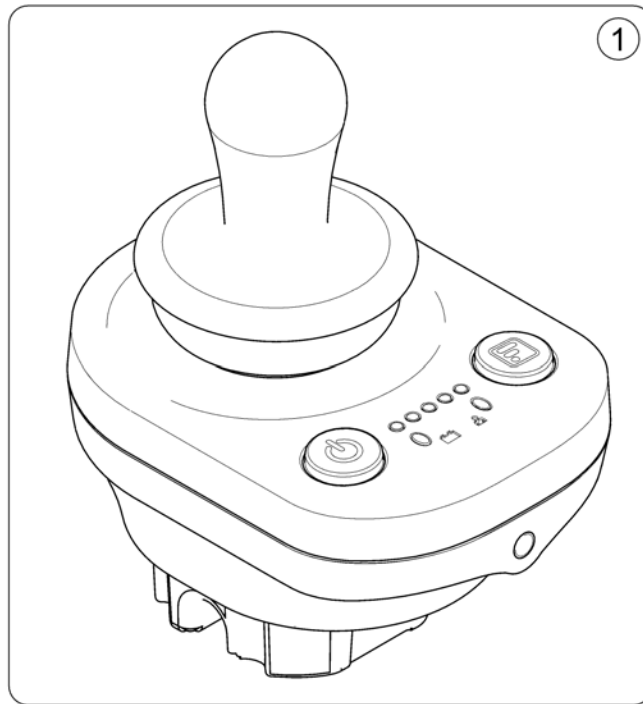


Pos.	Part number	Description	Valid from → until	Qty
1	-	Compact Dual Control		1
2	-	Bracket, Compact Dual Control - short		1



# Compact Dual Control

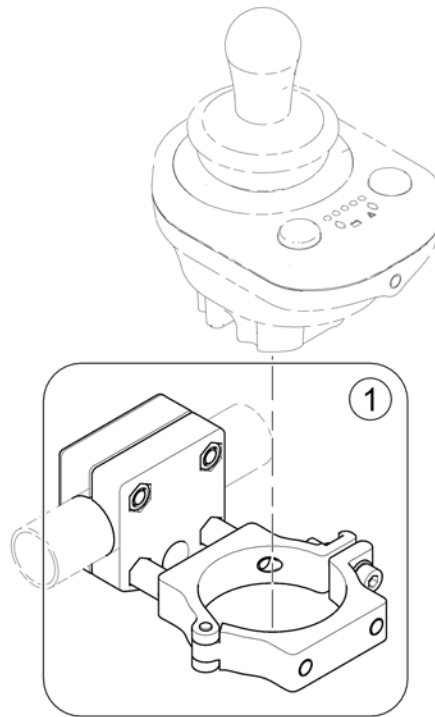
1586988.jpg



Pos.	Part number	Description	Valid from → until	Qty
1	SP1586988	Remote DX2-ACU		1

# Bracket, Compact Dual Control - short

1588857.jpg



Pos.	Part number	Description	Valid from → until	Qty
1	SP1587904	Remote Attachment - short		1

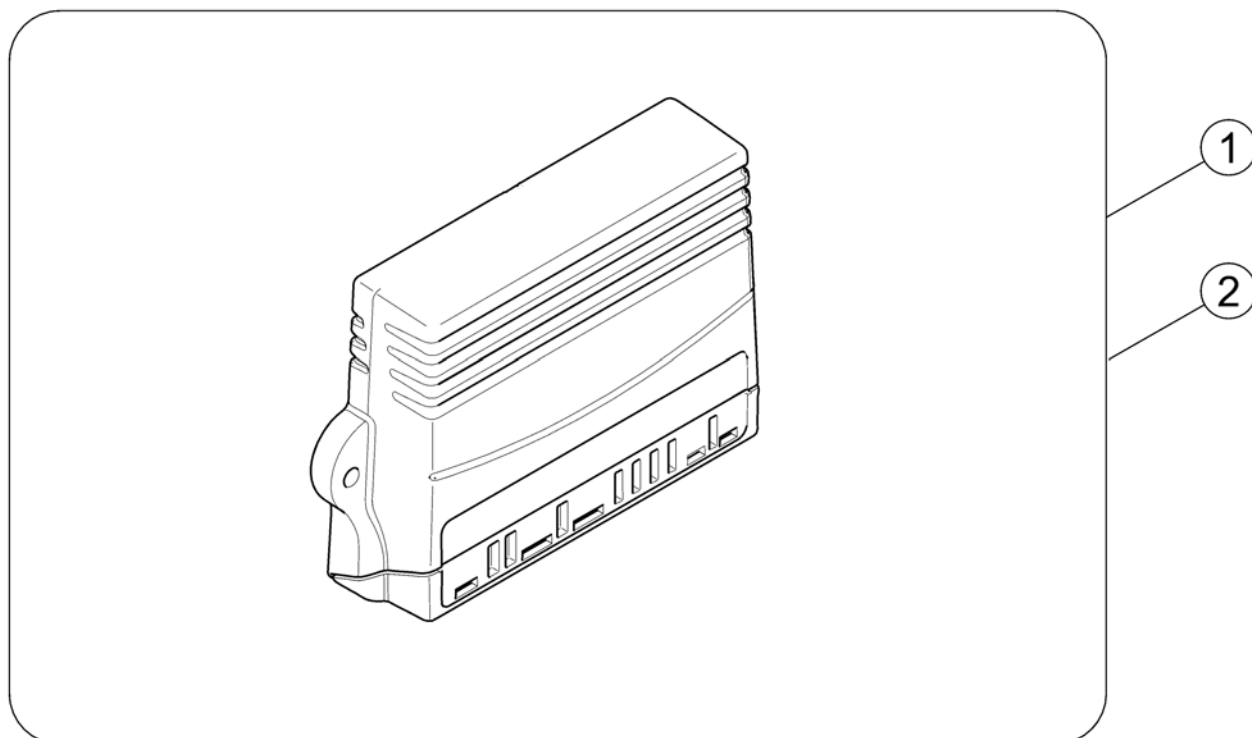
## ACS2 Powermodules

	ACS2 <small>PMA90LG</small>			
	DX2-PMA70	DX2-PMA70L	DX2-PMA90L	DX2-PMA90LG
Bora/SpectraXTR	1	2	3	4
Dragon				
Dragon Vertic				
FDX	1	2	3	4
G40				
G50				
Kite	1	2	3	4
Mirage				
Mistral3				
Pronto M61				
Spectra Blitz	1			
Spectra Comfort	1	2		
Spectra Plus	1	2		
Spectra Seat Riser				
Storm <sup>3</sup>				
Storm <sup>3</sup> GB				
Storm <sup>3</sup> Vertic				
Storm4			3	4
Storm4 MAX			3	4
Stream			3	4
TDX-SP				
Tiger	1	2		
Topan				
Tornado				
Typhoon				
Typhoon GB				
Typhoon II				
Zephyr				

Pos.	Part number	Description	Valid from → until	Qty
-	SP1555702	Gasket kit for ACS2, Powermodule and ACT		1
1	SP1528673	Powermodule, ACS2, 70A, DX2-PMA70 <i>Lock washer between module and bracket!</i>		1
2	SP1523433	Powermodule, ACS2, 70A, with light, DX2-PMA70L <i>Lock washer between module and bracket!</i>		1
3	SP1524244	Powermodule, ACS2, 90A, with light, DX2-PMA90L <i>Lock washer between module and bracket!</i>		1
4	SP1537975	Powermodule, ACS2, 90A, for light and G-Trac, DX2-PMA90LG <i>Lock washer between module and bracket!</i>		1

# ACT for ACS 2

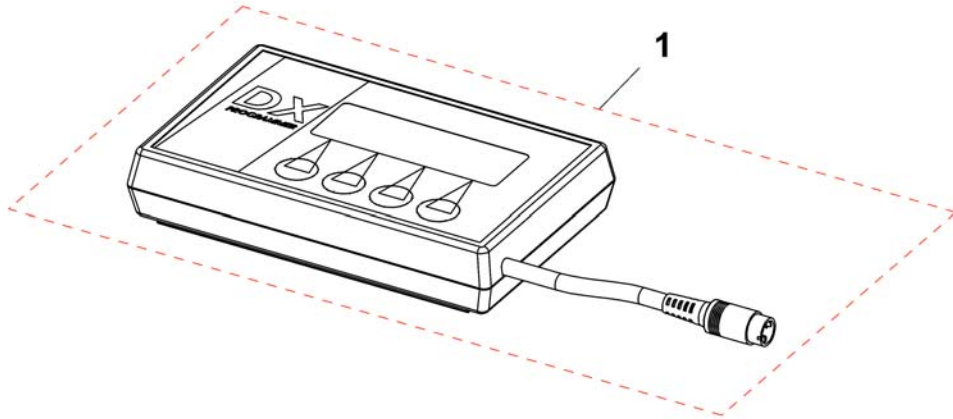
1528542X.iso



Pos.	Part number	Description	Valid from → until	Qty
1	SP1528542	ACT2 for ACS2, cpl.		1
2	SP1529382	ACT4 for ACS2, cpl.		1

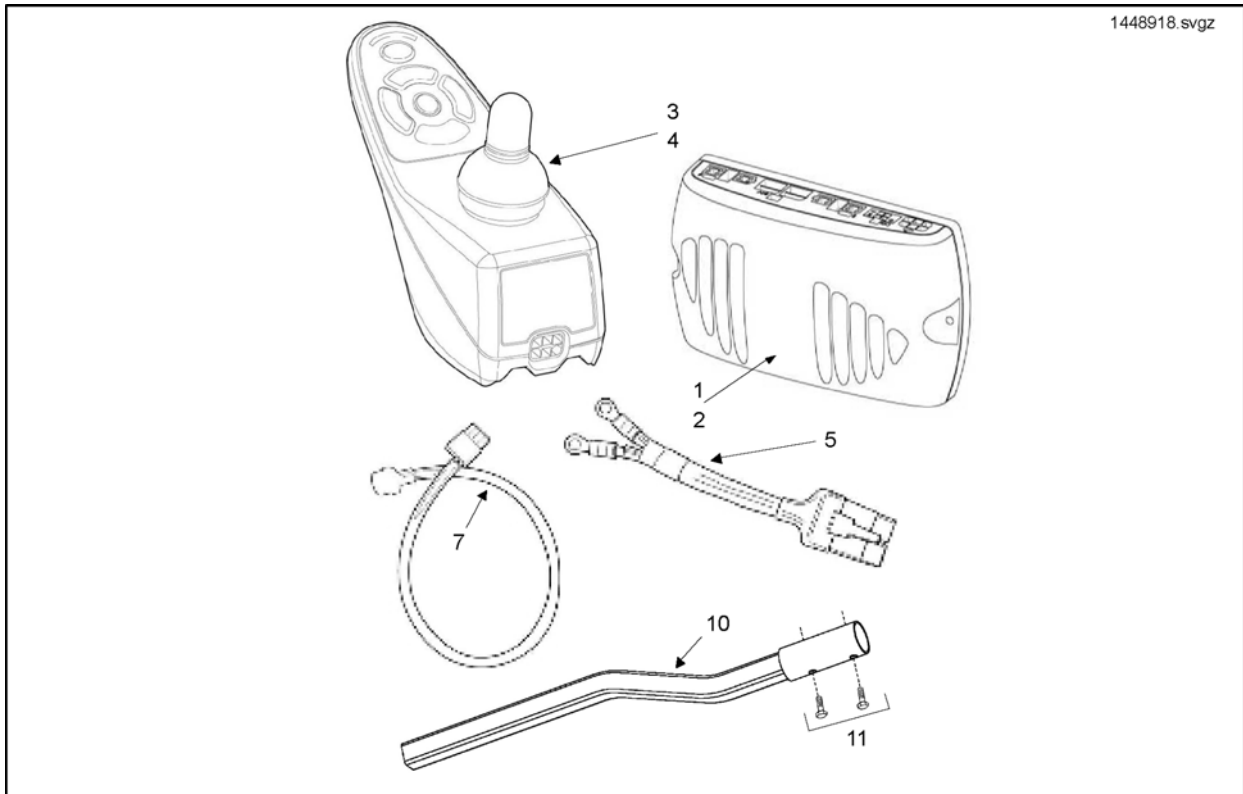
# ACS Handprogrammer

6001450X.dwg



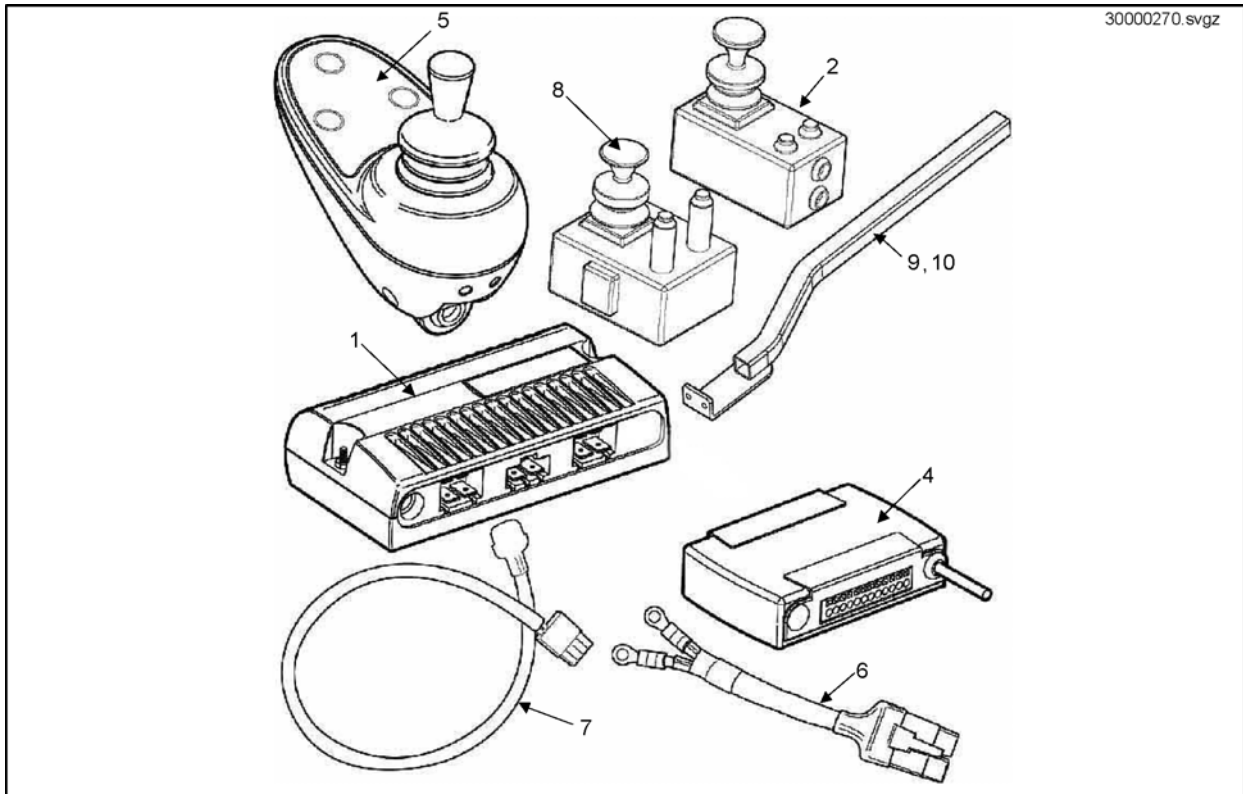
Pos.	Part number	Description	Valid from → until	Qty
1	6001450	Hand Programmer, Instrucions In French, German, Spanish		1

## Shark Control Systems



Pos.	Part number	Description	Valid from → until	Qty
-	SP1536180	Support for Remote Bracket, height adjustable & swing away		1
1	1433332	Powermodule, Shark, 75A, drive only, DK-PMB01		1
2	1448744	Powermodule, Shark, 75A, 2 actuators, DK-PMB21		1
3	1492567	Remote DK-REM D01, Shark2 (Drive only)		1
4	1449177	Remote DK-REM D11, Shark2 (Drive & Adjustment)		1
5	1448942	SHARK POWER LEAD (TERMINAL COVERS INCLUDED)		1
6	1448922	Bus Cable Shark 1000mm		1
7	1448890	Actuator Loom Shark		1
8	SP1441551	Programming Adapter Shark DK-ADAPT (necessary to program Shark)		1
9	1442160	Joystick Rubber Knob and Gaitor Kit.		1
10	1441631	J/Stick Mtg Arm (Fixed)		1
11	1441632	Shark - Joystick Remote Fixing Kit		1

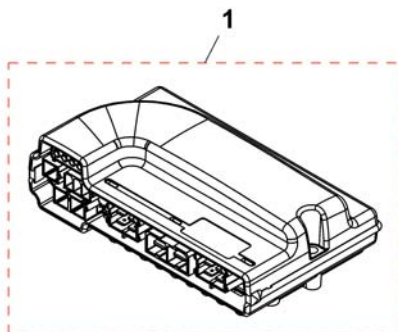
# Pilot Plus Control



Pos.	Part number	Description	Valid from → until	Qty
1	30000265	Powermodule, Pilot +, 50A, Pilot+ 50-xM		1
2	30000270	Pilot+ Dual Control D49682		1
4	30000271	Pilot+ Clam ALM-5L (D49664)		1
5	30000267	Pilot+ Remote (D49671)		1
6	1448943	VSI Power Cable (Terminal Covers Included)		1
7	1436768	Pilot+ Actuator Loom L/R		1
8	SP30000269	Pilot+ Chin Control, compl.		1
9	1450719-0216	Pilot Plus Joystick Arm Right Hand		1
10	1450746-0216	Pilot Plus Joystick Arm Left Hand		1

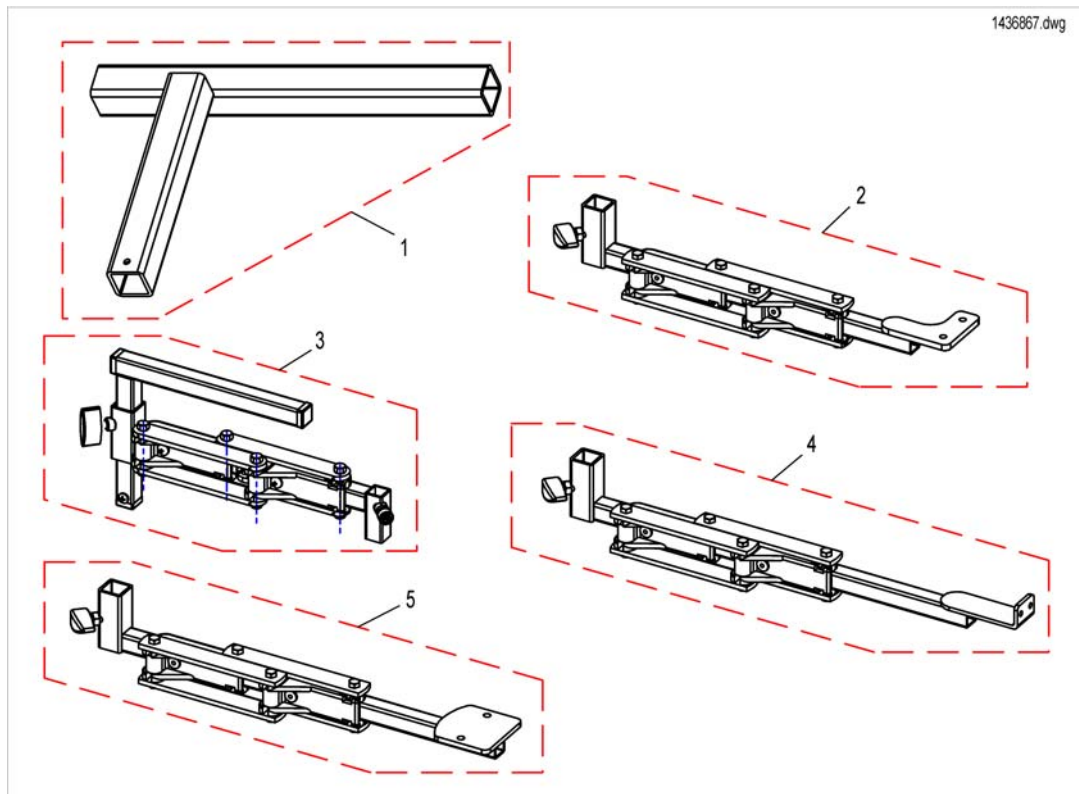
# Powermodule VR2

1504056.dwg



Pos.	Part number	Description	Valid from → until	Qty
1	SP1504056	Powermodule, VR2, 60A, only drive, VR2 60		1

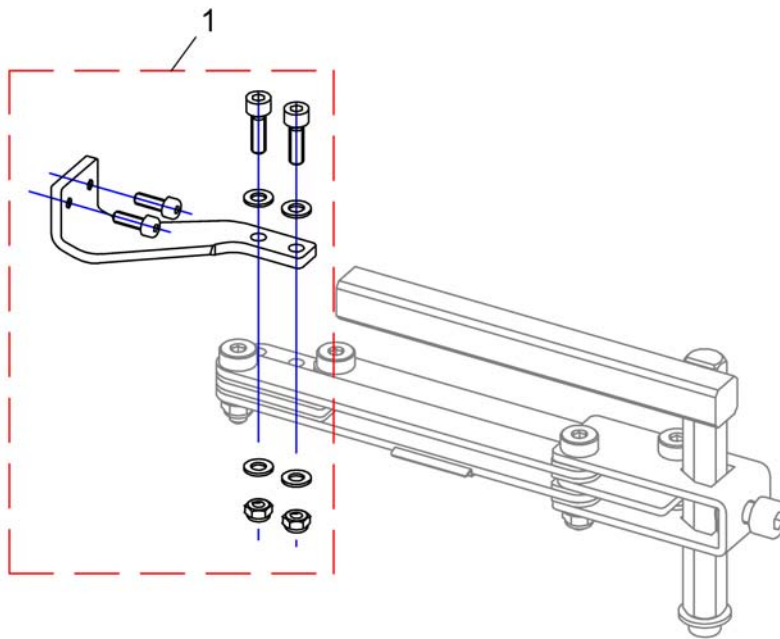




Pos.	Part number	Description	Valid from → until	Qty
-	SP1509946	Swingaway Bracket VSI LH		1
-	SP1509947	Swingaway Bracket VSI RH		1
1	SP1436867-0216	Mounting Bracket for Swing Away - LH		1
1	SP1433312-0216	Mounting Bracket for Swing Away - RH		1
2	SP1441637	Swingaway Assembly, cpl. - LH		1
2	SP1441636	Swingaway Assembly, cpl. - RH		1
3	SP1421796	Swing-Out Height-Adjustable Remote Holder LH		1
3	SP1421795	Swing-Out Height-Adjustable Remote Holder RH		1
4	SP1509903	Swingaway Bracket Pilotplus LH		1
4	SP1509904	Swingaway Bracket Pilotplus RH		1
5	SP1513568	VR2 Remote Bracket swing away LH		1
5	SP1513567	VR2 Remote Bracket swing away RH		1

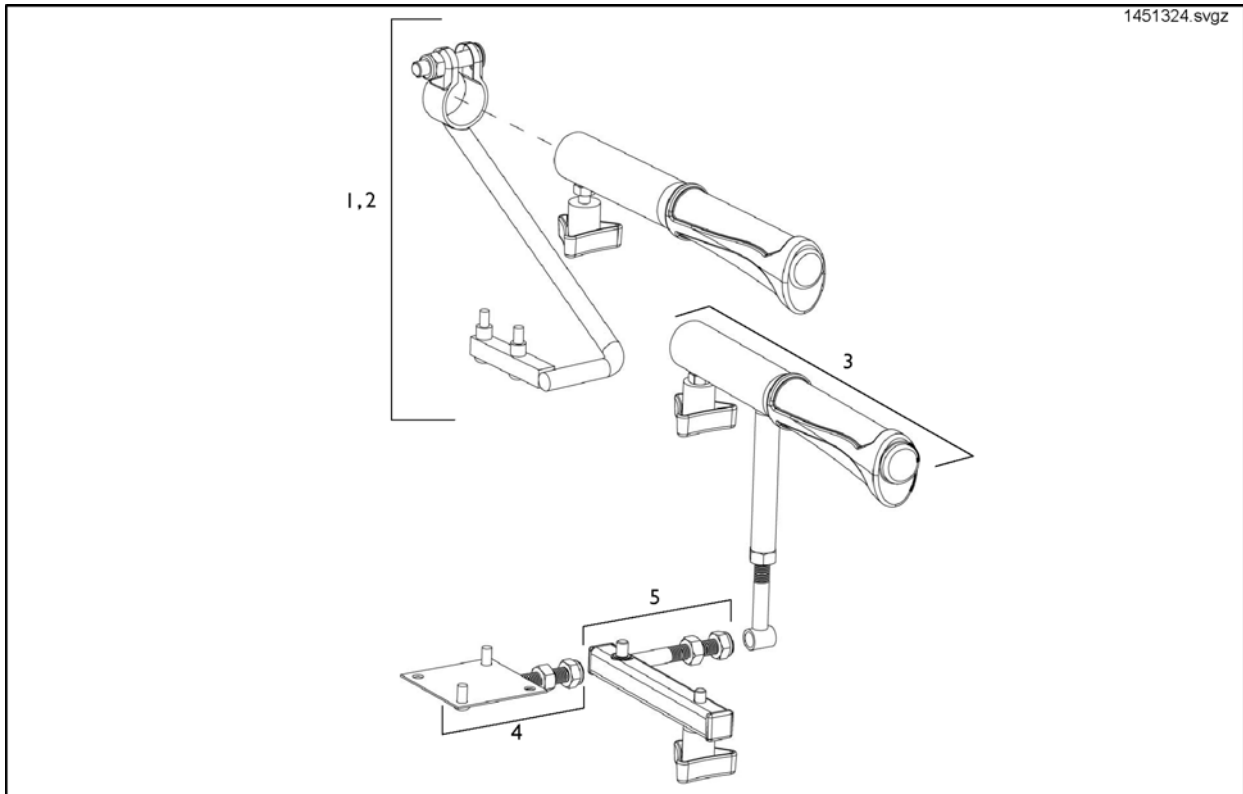
# Holder Pilot+, swing away, high end

1528311X.dwg



Pos.	Part number	Description	Valid from → until	Qty
1	SP1528311	Holder Pilot+, swing away, high end RH		1
1	SP1528312	Holder Pilot+, swing away, high end LH		1

## Attendant Control Mounting Hardware



Pos.	Part number	Description	Valid from → until	Qty
1	1451324	ACS/Shark - Joystick Attendant Mounting Arm Right		1
2	1484794	ACS/Shark - Joystick Attendant Mounting Arm Left		1
3	1451325	Push Handle Extension Kit		1
4	1451326	Pilot+ Dual Control Mount Handle Extension Kit		1
5	1451319	P&G Attendant/Dual Control Unit Fixing Kit		1
6	1451320	ACS Dual Control Fixing Kit		1

# Batteries

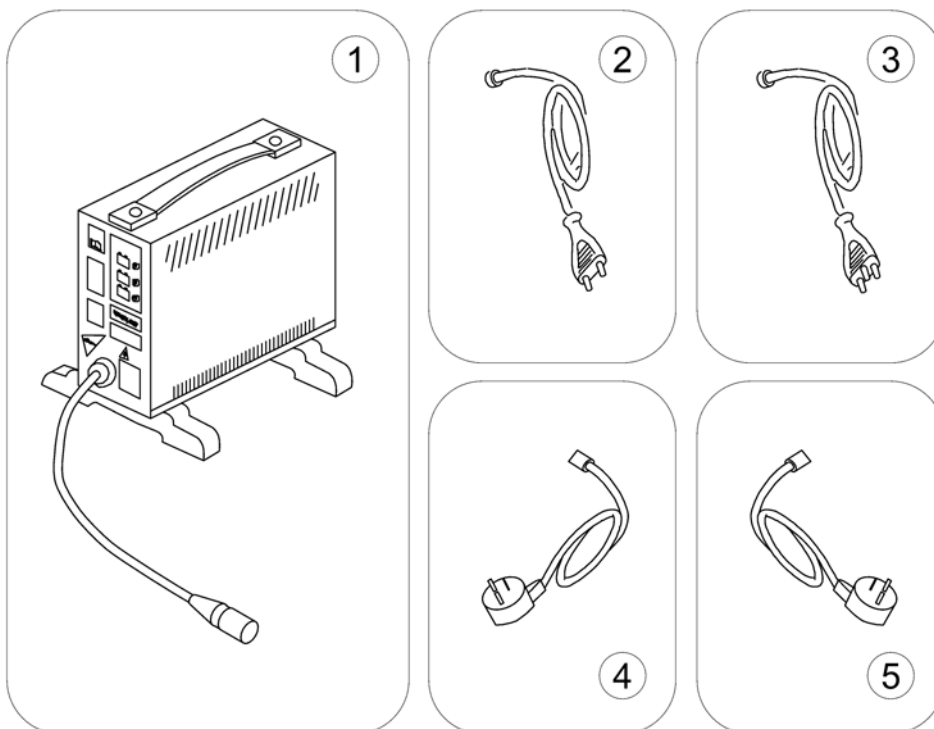
	Capacity [Ah]															
	1,2	12	30	31	32	36	38	40	40	50	50	50,9	60	73,6	75	97,6
Bora/SpectraXTR								8		10						
Dragon										10			13			
Dragon Vertic													13			
FDX													13			
G50													13	14		16
Kite													13	14		
Mirage				4				8								
Mistral3				4									12			
P9000XDT					5											
Pronto M41					5											
Pronto M61					5											
Spectra Blitz								8					12			
Spectra Comfort								7								
Spectra Plus								7								
Spectra Seat Riser								7								
Storm3										10			13	14		
Storm3 True Track	1													14		
Storm3 Vertic														14		
Storm4														14		
Storm4 Max														14		
Stream										10			13			
TDX-SP														14		
TDX-SP Narrow													12			
Tiger										10			13			
Topan													13			
Tornado								8								
Typhoon													13			
Typhoon GB	1												13			
Typhoon GB	1												13			
Zephyr	1												13			
Auriga			3					8		10						
Comet														14	15	
Leo						6			9							
Lynx		2														
Meteor														14		
Orion												11				
length [mm]	97	152	197	196	211	196	210	197	198	198	198	238	259	260	260	329
width [mm]	49	99	132	132	132	130	175	168	165	166	165	140	169	171	168	171
height [mm]	51	102	180	183	183	179	175	175	171	176	170	235	178	210	223	238
weight [kg]	0,6	3,9	11,1	10,5	11	12	14,6	14,4	14,2	14	16	17,1	19,3	24,3	26	32,5



Pos.	Part number	Description	Valid from → until	Qty
i	-	Change batteries only pairwise and from the same type!		1
1	1440386	Battery, 12V/1,2Ah C20, GEL		1
2	SP1506493	Battery 12V/12Ah AGM		1
3	P50021	Battery, 12V/30Ah C20, GEL		1
4	P50029	Battery, 12V/31Ah C20, GEL		1
5	SP1521459	Battery, 12V/34Ah C20, AGM		1
6	1505498	Battery, 12V/36Ah C20, AGM		1
7	P50028	Battery, 12V/38Ah C20, GEL (UK & DK only)		1
8	PG50988	Battery, 12V/40Ah C20, GEL		1
9	SP1550692	Battery, 12V/40Ah C20, AGM		1
10	SP1522107	Battery, 12V/50Ah C20, AGM		1
11	SP1521695	Battery, 12V/50Ah C20 AGM		1
12	PG50989	Battery, 12V/50,9Ah C20, GEL		1
13	1432944	Battery, 12V/60Ah C20, GEL		1
14	P50016	Battery, 12V/73,6 Ah C20, Gel		1
15	SP1522026	Battery, 12V/75Ah C20, AGM		1
16	1478675	Battery, 12V/97,6Ah C20, GEL		1

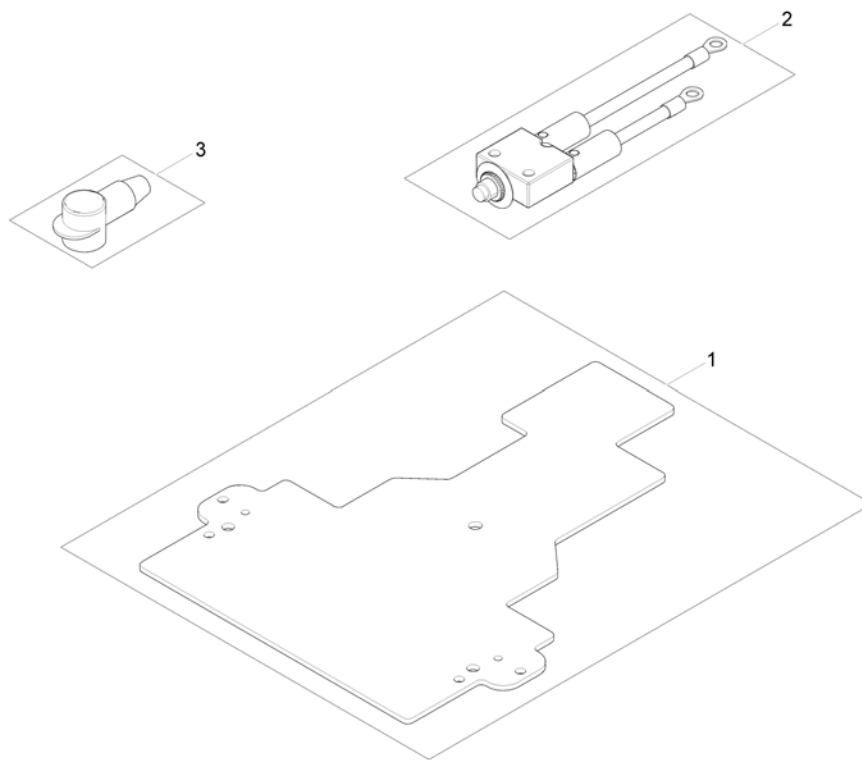
# Charger

1577962.iso



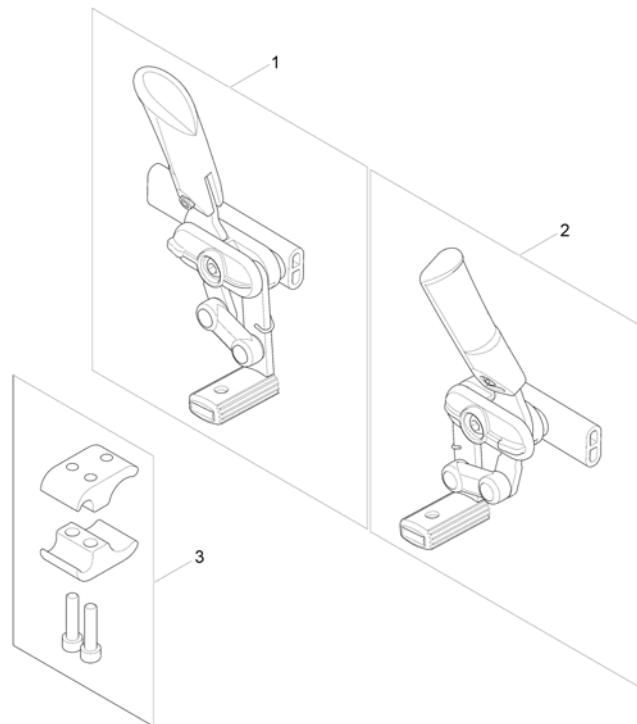
Pos.	Part number	Description	Valid from → until	Qty
1	SPP51981	Charger 8A without Power Cord		1
2	P21079	Power Cord Continental (Schuko GCB-0401)		1
3	1443841	Power Cord Swiss (black 6A/250V)		1
4	P21080	Power Cord UK (GCB-0403)		1
5	SP1553849	Power Cord Israel (IEC 320 C13 to SI-32)		1

## Battery support



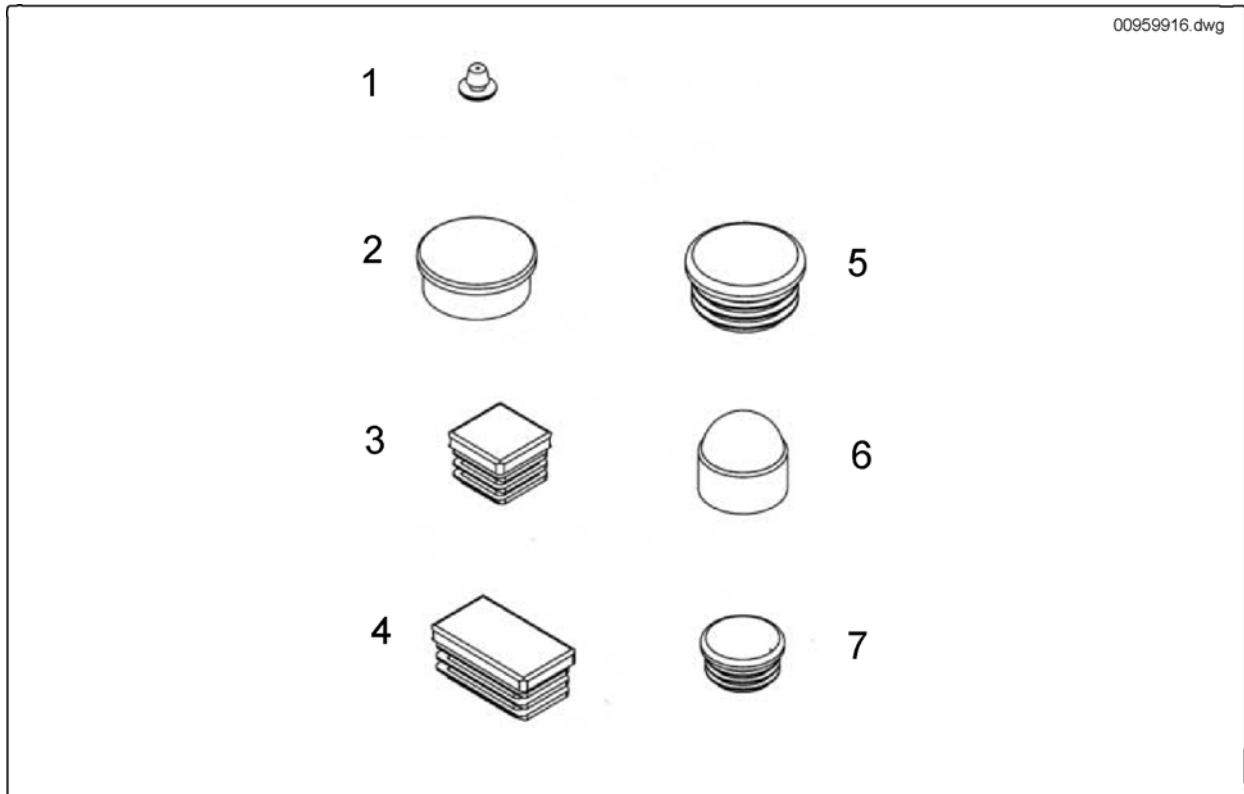
Pos.	Part number	Description	Valid from → until	Qty
-	1451315	Controller Fixing Kit <i>not shown</i>		1
1	SP1442329	Controller mountingplate		1
2	SP1524216	Circuit breaker 35A		1
3	1441773	40Ah Battery Terminal Cover Kit		1

1570061.000



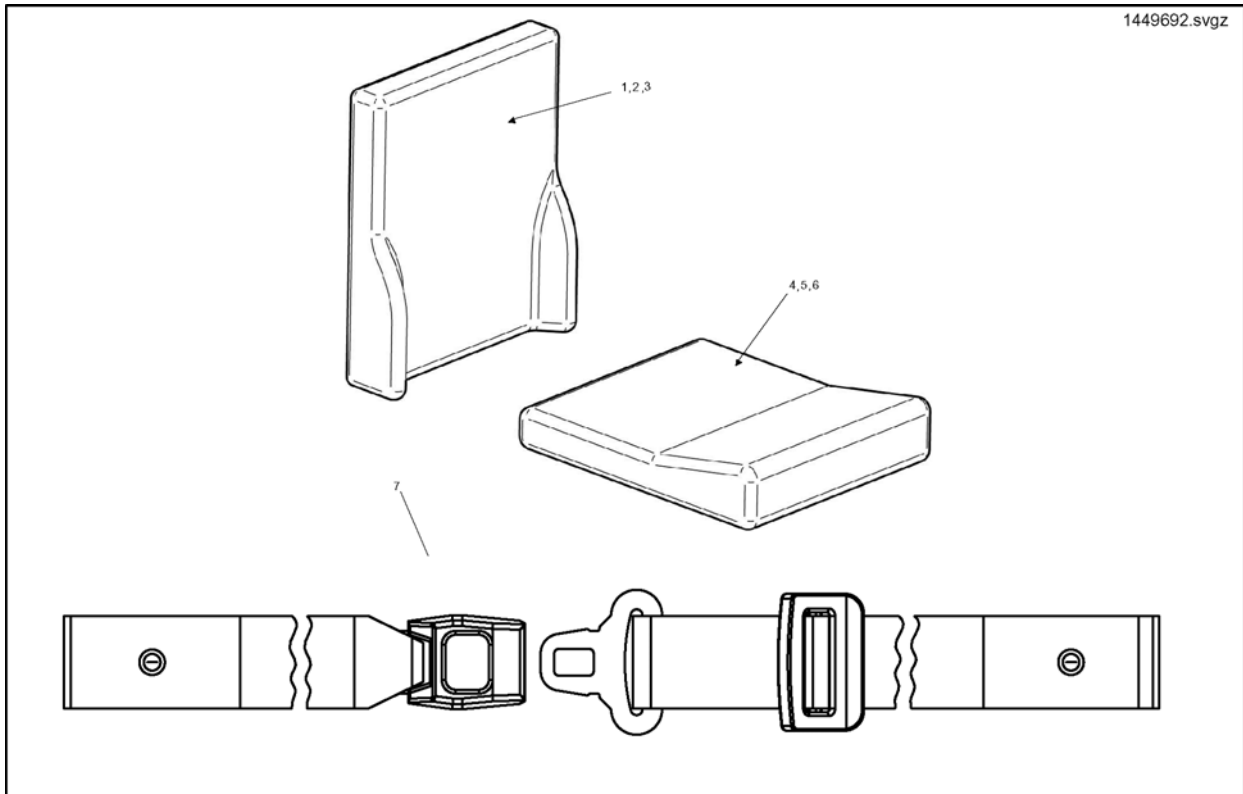
Pos.	Part number	Description	Valid from → until	Qty
1	SP1558124	Parking Brake Lever RH <i>Design Change, please order a pair, if chair is build before 08.2013</i>		1
2	SP1558125	Parking Brake Lever LH <i>Design Change, please order a pair, if chair is build before 08.2013</i>		1
3	SP6003039	Clamping Kit		1

## Fixtures & Fittings



Pos.	Part number	Description	Valid from → until	Qty
1	00959916	Plug 6mm, black		1
3	L01055	Plug 15x15mm		1
4	00959925	Plug 30x15mm, black		1
5	L01044	Tube End Plug SI 32		1
6	L01041	Cover Cap For Wheel Invacare P452E		1
7	L01019	End Plug 7/8"		1

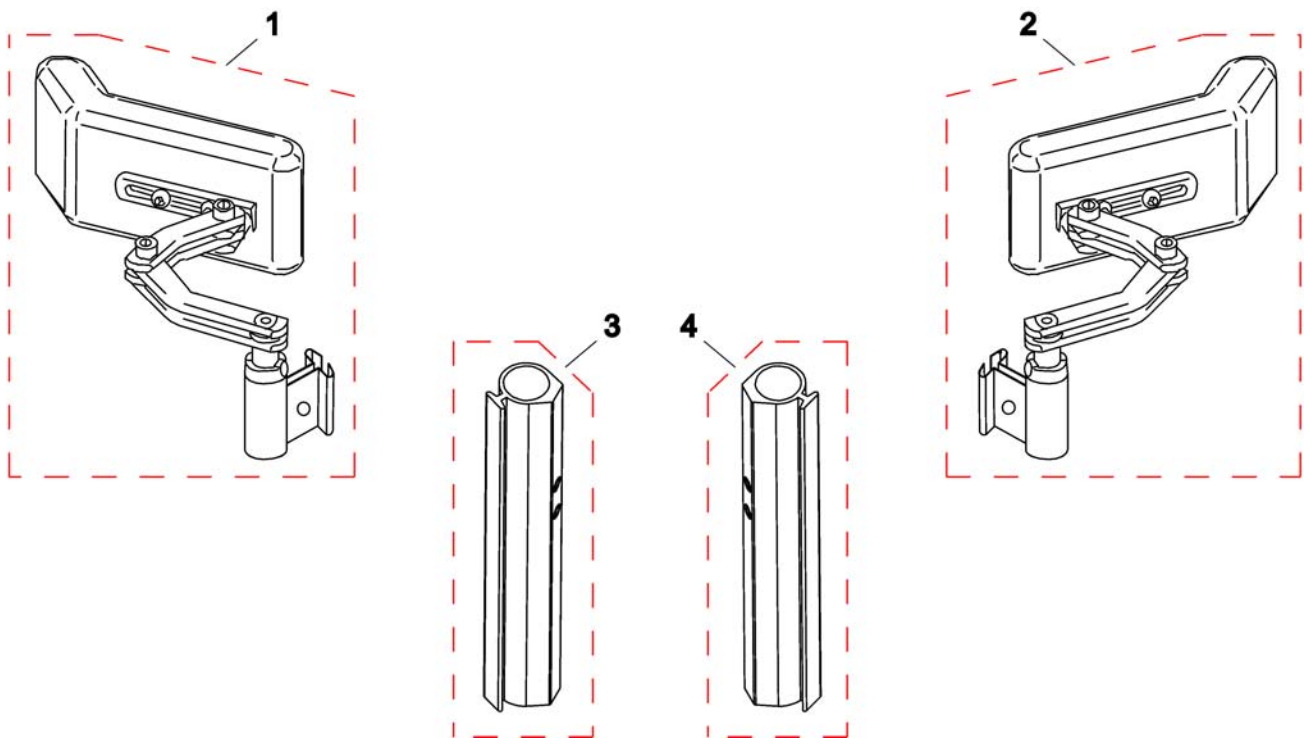




Pos.	Part number	Description	Valid from → until	Qty
1	1449692	Back Cushion Complete - 25cm		1
2	1449999	Back Cushion Complete - 30cm		1
3	1450000	Back Cushion Complete - 35cm		1
4	1449682	Seat Cushion Complete - 25cm		1
5	1449683	Seat Cushion Complete - 30cm		1
6	1449691	Seat Cushion Complete - 35cm		1
7	SPZ163006A	Metal Buckle Lap Belt		1
8	FLB10	Flo-Tech Lite Chushion Blk Smth Cvr 10X10		1
9	FLB10/11	Flo-Tech Lite Chushion Blk Smth Cvr 10X11		1
10	FLB10/12	Flo-Tech Lite Chushion Blk Smth Cvr 10X12		1
11	FLB10/13	Flo-Tech Lite Chushion Blk Smth Cvr 10X13		1
12	FLB12/10	Flo-Tech Lite Chushion Blk Smth Cvr 12X10		1
13	FLB12/11	Flo-Tech Lite Chushion Blk Smth Cvr 12X11		1
14	FLB12	Flo-Tech Lite Chushion Blk Smth Cvr 12X12		1
15	FLB12/13	Flo-Tech Lite Chushion Blk Smth Cvr 12X13		1
16	FLB12/14	Flo-Tech Lite Chushion Blk Smth Cvr 12X14		1
17	FLB12/15	Flo-Tech Lite Chushion Blk Smth Cvr 12X15		1
18	FLB14/13	Flo-Tech Lite Chushion Blk Smth Cvr 14X13		1
19	FLB14	Flo-Tech Lite Chushion Blk Smth Cvr 14X14		1
20	FLB14/15	Flo-Tech Lite Chushion Blk Smth Cvr 14X15		1

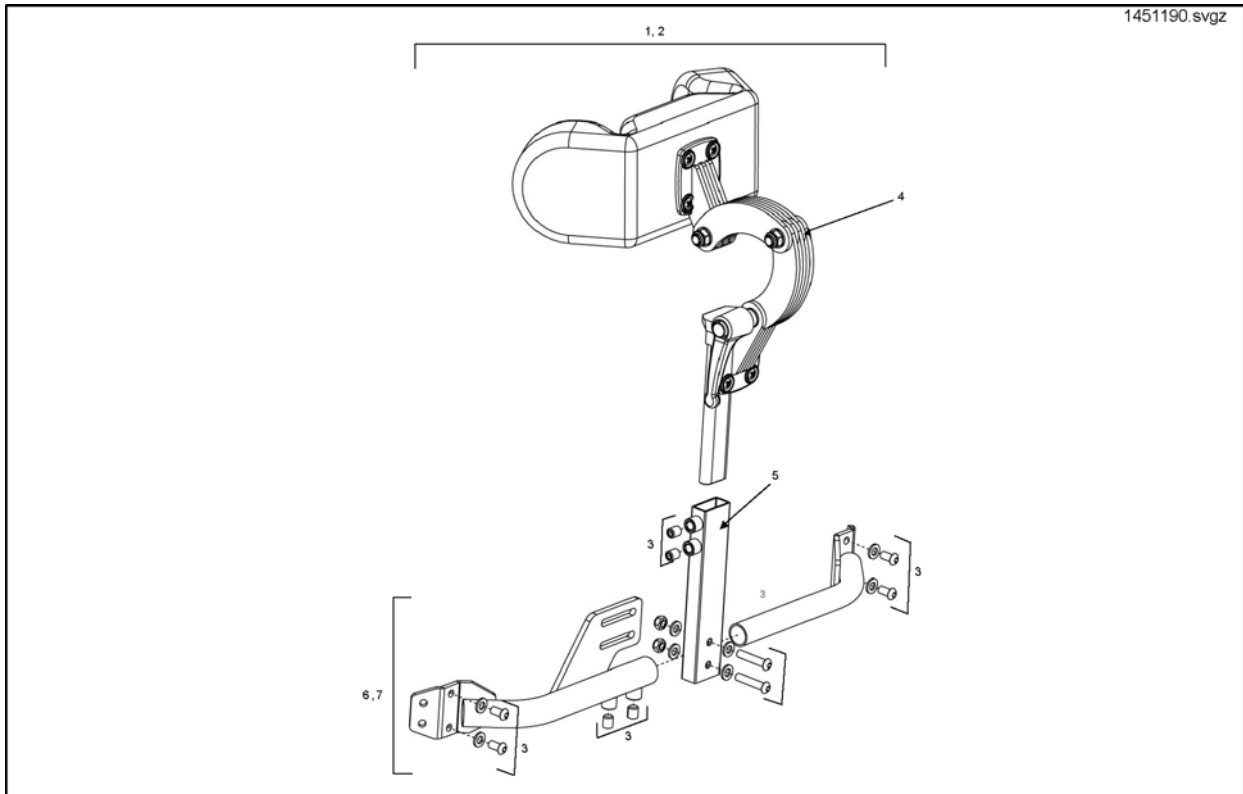
# Lateral Support Assemblies

145U8U2.dwg



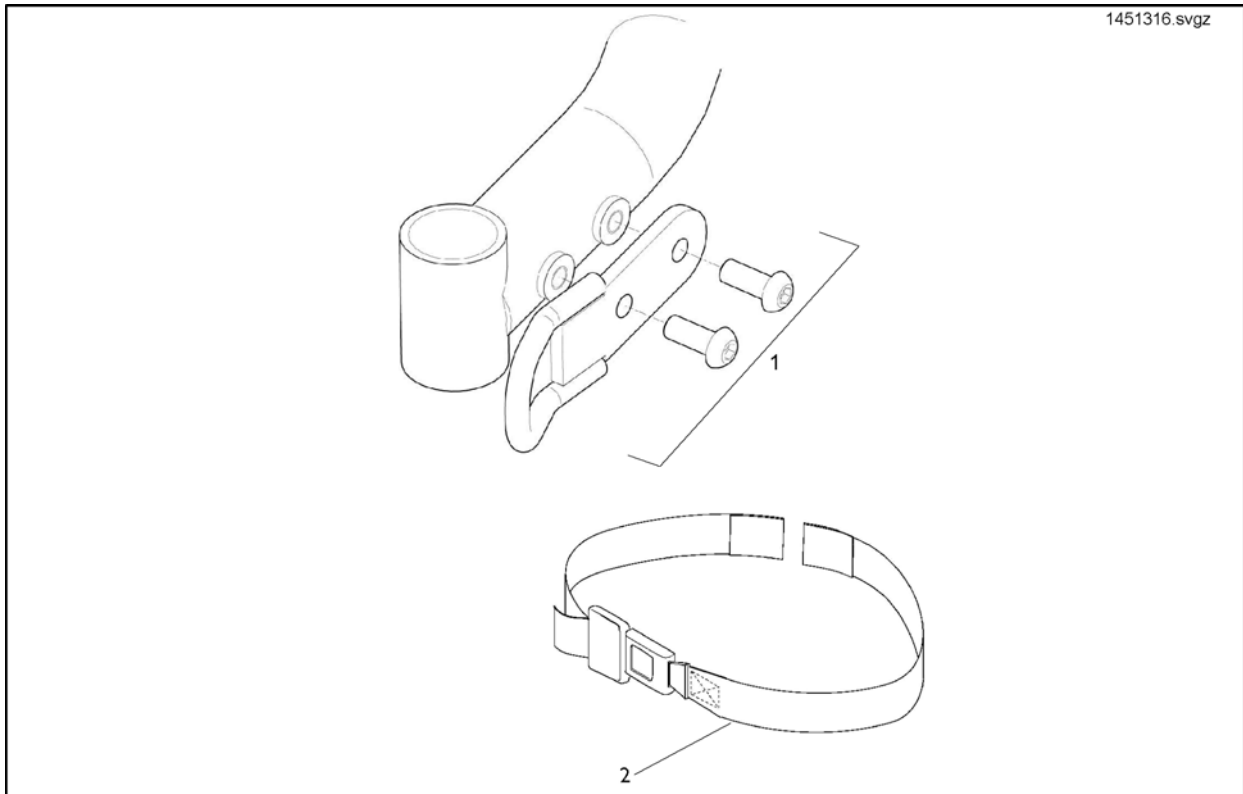
Pos.	Part number	Description	Valid from → until	Qty
1	SP1492640	Trunksupport with bracket RH		1
2	SP1492641	Trunksupport with bracket LH		1
3	SP1468357	Lateral Support Tube RH		1
4	SP1468358	Lateral Support Tube LH		1

## Headrest Assemblies



Pos.	Part number	Description	Valid from → until	Qty
1	1451190	Headrest Assembly Kit - cpl. (25-30cm)		1
2	1451692	Headrest Assembly Kit - cpl. (30-35cm)		1
3	1484319	Headrest Assembly Fastener Kit		1
4	1451314	Headrest Assy (Covered)		1
5	1450703-0216	Headrest Support Post Assy		1
6	1484784	Headrest Bracket Assy (25-30cm)		1
7	1484783	Headrest Bracket Assy (30-35cm)		1

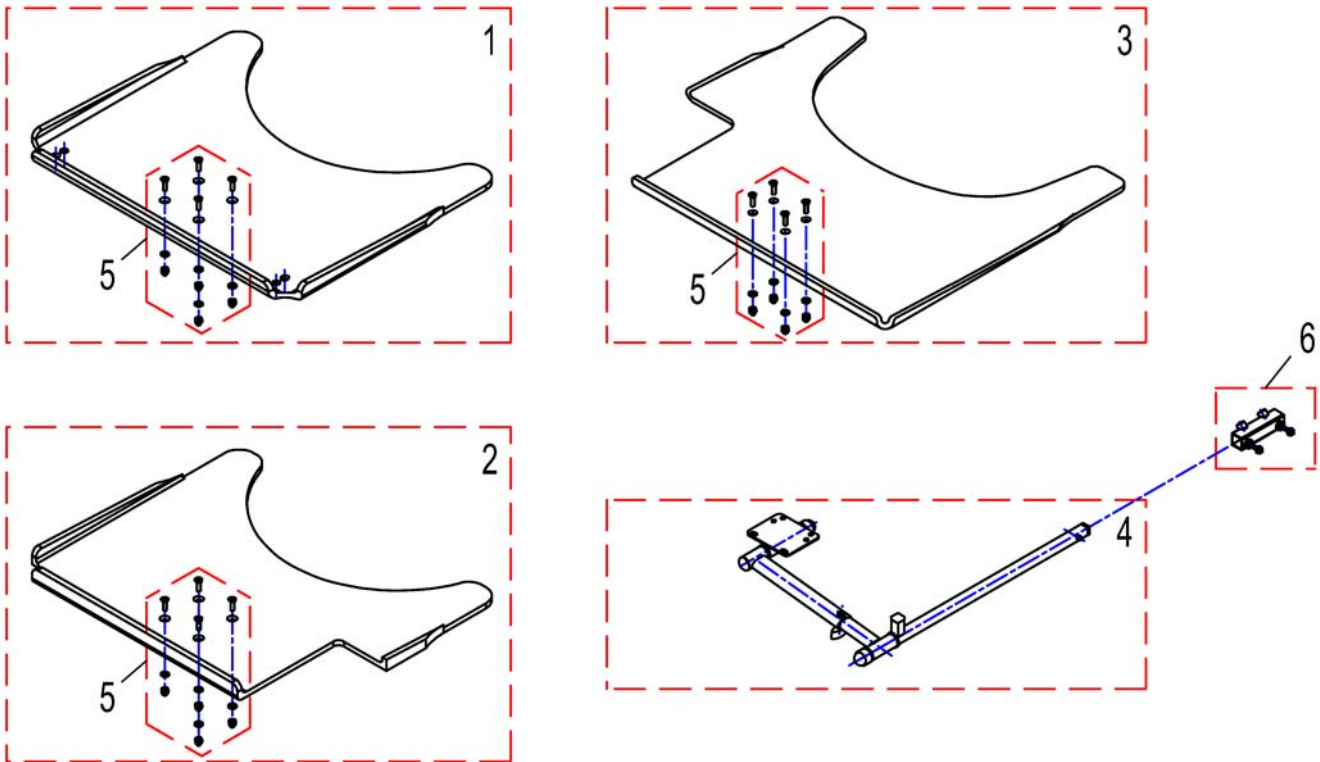
# Transportation Options



Pos.	Part number	Description	Valid from → until	Qty
1	1451316	Front Tie Down Kit		1
2	SP1541498	Lap belt		1

# Tray Tables

1441739.dwg



Pos.	Part number	Description	Valid from → until	Qty
1	SP1535054	Tray Table, 480mm, without Cutout		1
1	SP1535050	Tray table, 540mm, no Cutout		1
2	SP1535053	Tray Table, 480mm, Cutout left		1
2	SP1535009	Tray table, 540mm, Cutout LH		1
3	SP1535052	Tray Table, 480mm, Cutout right		1
3	SP1535051	Tray table, 540mm, Cutout RH		1
4	SPZ177011	Tray Support Fixing Kit cpl.SW 380/505 mm		1
5	Z177025	Fastening-Kit Tray		1
6	SP1534364	Adaptertube		1



Yes, you can.®



---

**Belgium & Luxemburg:**

Invacare nv, Autobaan 22, B-8210 Loppem  
Tel: (32) (0)50 83 10 10, Fax: (32) (0)50 83 10 11  
belgium@invacare.com / www.invacare.be

**Denmark:**

Invacare A/S, Sdr. Ringvej 37, DK-2605 Brøndby  
Tel: (45) (0)36 90 00 00, Fax: (45) (0)36 90 00 01  
denmark@invacare.com / www.invacare.dk

**Deutschland:**

Invacare Aquatec GmbH, Alemannenstraße 10, D-88316 Isny  
Tel: (49) (0)75 62 7 00 0, Fax: (49) (0)75 62 7 00 66  
info@invacare-aquatec.com / www.invacare-aquatec.de

**European Distributor Organisation:**

Invacare, Kleiststraße 49, D-32457 Porta Westfalica  
Tel: (49) (0)57 31 754 540, Fax: (49) (0)57 31 754 541  
edo@invacare.com / www.invacare.eu.com

**España:**

Invacare SA, c/Areny s/n, Polígon Industrial de Celrà, E-17460 Celrà (Girona)  
Tel: (34) (0)972 49 32 00, Fax: (34) (0)972 49 32 20  
contactsp@invacare.com / www.invacare.es

**France:**

Invacare Poirier SAS, Route de St Roch, F-37230 Fondettes  
Tel: (33) (0)2 47 62 64 66, Fax: (33) (0)2 47 42 12 24  
contactfr@invacare.com / www.invacare.fr

**Ireland:**

Invacare Ireland Ltd, Unit 5 Seatown Business Campus, Seatown Road, Swords, County Dublin - Ireland  
Tel: (353) 1 810 7084, Fax: (353) 1 810 7085  
ireland@invacare.com / www.invacare.ie

**Italia:**

Invacare Mecc San s.r.l., Via dei Pini 62, I-36016 Thiene (VI)  
Tel: (39) 0445 38 00 59, Fax: (39) 0445 38 00 34  
italia@invacare.com / www.invacare.it

**Nederland:**

Invacare BV, Celsiusstraat 46, NL-6716 BZ Ede  
Tel: (31) (0)318 695 757, Fax: (31) (0)318 695 758  
nederland@invacare.com, csede@invacare.com / www.invacare.nl

**Norge:**

Invacare AS, Grensesvingen 9, Postboks 6230, Etterstad, N-0603 Oslo  
Tel: (47) (0)22 57 95 00, Fax: (47) (0)22 57 95 01  
norway@invacare.com, island@invacare.com / www.invacare.no

**Österreich:**

Invacare Austria GmbH, Herzog Odilostrasse 101, A-5310 Mondsee  
Tel: (43) 6232 5535 0, Fax: (43) 6232 5535 4  
info-austria@invacare.com / www.invacare.at

**Portugal:**

Invacare Lda, Rua Estrada Velha, 949, P-4465-784 Leça do Balio  
Tel: (351) (0)225 1059 46/47, Fax: (351) (0)225 1057 39  
portugal@invacare.com / www.invacare.pt

**Sverige & Suomi:**

Invacare AB, Fagerstagatan 9, S-163 91 Spånga  
Tel: (46) (0)8 761 70 90, Fax: (46) (0)8 761 81 08  
sweden@invacare.com, finland@invacare.com / www.invacare.se

**Switzerland:**

Invacare AG, Benkenstrasse 260, CH-4108 Witterswil  
Tel: (41) (0)61 487 70 80, Fax: (41) (0)61 487 70 81  
switzerland@invacare.com / www.invacare.ch

**United Kingdom:**

Invacare Limited, Pencoed Technology Park, Pencoed, Bridgend CF35 5AQ  
Switchboard Tel: (44) (0)1656 776200, Fax: (44) (0)1656 776201  
Customer services Tel: (44) (0)1656 776222, Fax: (44) (0)1656 776220  
uk@invacare.com / www.invacare.co.uk