

## ***Spare Parts Catalogue***

---

Version: 2014/03/17a EN



***Invacare® SOLO<sub>2</sub>®***



**Yes, you can.®**

## **General Information**

*For any order of spare parts the following information is required:*

- Product type*
- Product name & model*
- Serial Number*
- Part-Number*
- Part-Description*

*Exploded view drawings and code numbers are not contractual and subject to modification, in relation to Invacare® continuous product improvement policy to meet end users needs.*

*The reproduction or use of this work, or of any substantial part of this work, in any form or by any electronic, mechanical or other means, including photocopying, scanning and recording, and in any information storage and retrieval system, including electronic transmission, is forbidden without the prior written permission of Invacare® International Sarl.*



**Yes, you can.®**

## **TABLE OF CONTENTS**

---

Serial number sticker .....	5
Packaging and Literature .....	6
SOLO2 Spare Parts .....	7
Accessories .....	9

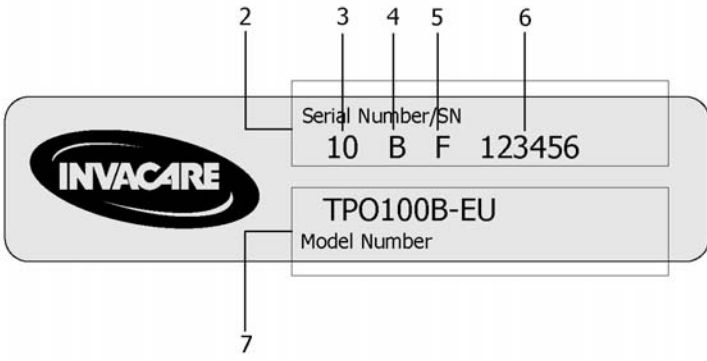


# Serial number sticker

1541191X.no



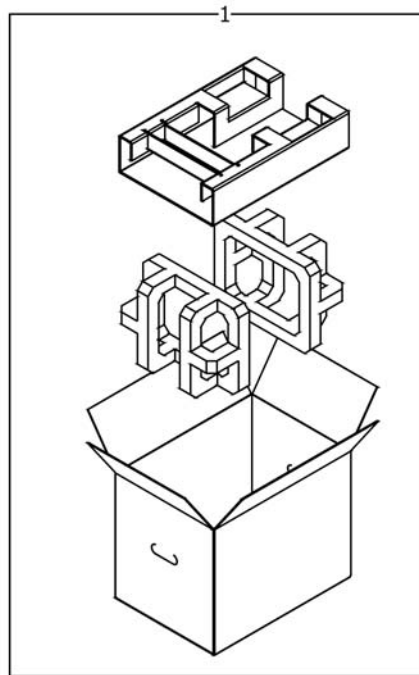
1



Pos.	Part number	Description	Valid from → until	Qty
1	-	Location of the Serial/Model Number Sticker		1
2	-	Serial number		1
3	-	Manufacturing Year		1
4	-	Manufacturing Month (A=Jan, B=Feb L=Dec)		1
5	-	Manufacturing Location (F=Florida, SZ=Suzhou)		1
6	-	Sequential number		1
7	-	Model Number		1

# Packaging and Literature

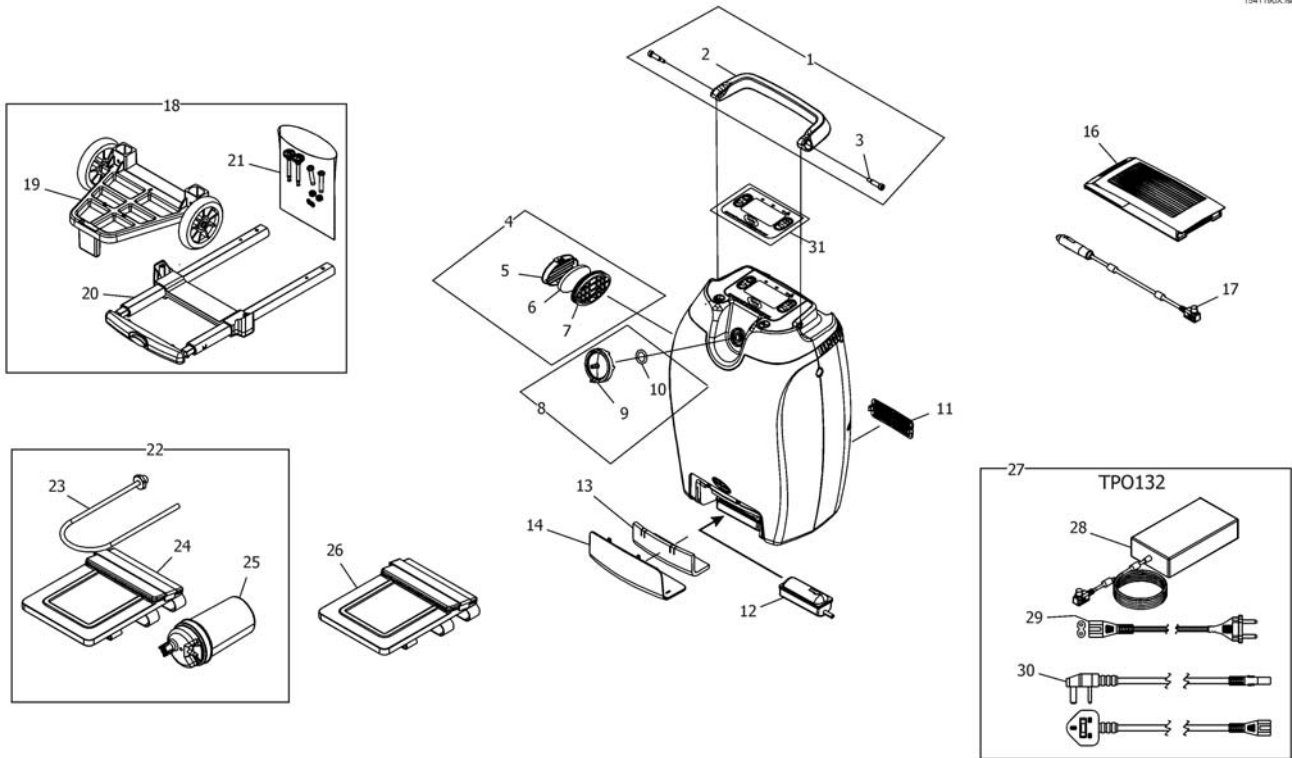
1541192X.000



Pos.	Part number	Description	Valid from → until	Qty
	1163190	SOLO2 Owners Manual <i>Includes EN, IT, NL, FR, DE &amp; ES.</i>		1
1	1163886	Carton Assembly <i>Carton, Foam inserts and Carton tray.</i>		1

# SOLO2 Spare Parts

1541190X.iso



Pos.	Part number	Description	Valid from → until	Qty
1	1164371	Kit, Handle with Hardware <i>Includes 2 &amp; 3.</i>		1
4	1156861	Inlet Vent Assembly <i>Includes 5, 6 &amp; 7.</i>		1
6	1165095	Package, Inlet Filter (pack of 10pcs)		1
8	1164372	Kit, Patient Outlet Filter Solo2 <i>Includes 9 &amp; 10.</i>		1
8	1182068	Kit, Filters & Firestop		1
11	1156867	Vent, Exhaust		1
12	1157083	Filter, Compressor Inlet		1
13	1156844	Foam Insert, Inlet Filter Compressor Door		1
14	1156856	Door, Inlet Filter Compressor		1
16	1533371-TPO110	Battery Module		1
17	1533371-TPO140	DC Mobile Power Cable		1
18	1533371-TPO120	Wheeled Cart <i>Includes 19, 20 &amp; 21.</i>		1
21	1157046	Kit Cart Assembly Hardware Solo <i>Includes 2 each; Retaining washers, Thumb screws, Philips Head screws and lock nuts.</i>		1
22	1533371-TPO170	Bag, Solo2 with humidifier <i>Includes 23, 24 &amp; 25.</i>		1
23	1165381	Adapter, Humidifier Bottle		1
26	1533371-TPO160	Bag, Solo2 without humidifier		1
27	1533371-TPO132	AC Adapter Europe <i>Includes 28, 29 &amp; 30.</i>		1
29	1152805	Cord,Line,2P, Europe		1
30	1160791	Cord,Line,2P, United Kingdom		1
	1165085	Kit, Labels, Product Overlay <i>Includes IT, NL, FR, DE, ES, NO, SE, DK, PT &amp; GR</i>		1
	1165086	Kit, Labels, Battery Overlay <i>Includes IT, NL, FR, DE, ES, NO, SE, DK, PT &amp; GR</i>		1
	1164926	Kit, Labels, Top Overlay <i>Includes IT, NL, FR, DE, ES, NO, SE, DK, PT &amp; GR</i>		1
	1551710	SOLO2 Filter Kit <i>Includes Foam filter, Compressor filter &amp; Patient outlet filter</i>		1

## SOLO2 Spare Parts

Pos.	Part number	Description	Valid from → until	Qty
31	1179328	Kit, Label, Control Panel		1





Pos.	Part number	Description	Valid from → until	Qty
1	M3210	Mask O2 adult 2.1m		1
2	1498231	Cannula, Adult (Salter 1056) for HomeFill 2		1
2	1509581	Cannula, Adult High Flow w/50 Tubing		1
2	1524235	High Flow Cannula 1,2m		1
2	1524236	High Flow Cannula 2,1m		1
2	M3110	Cannula-nasal adult 2.1m flow-rate-->8l/min quiet		1
2	M3115	Cannula-nasal adult 2.1m flow-rate-->3l/min micro		1
2	M3117	Cannula-nasal adult 1.2m flow-rate-->3l/min micro		1
2	M3120	Cannula-nasal adult 2.1m flow-rate-->6l/min		1
2	M3121	Cannula-nasal children 2.1m		1
2	M3122	Cannula-nasal infant 2.1m		1
3	1513831	Tube Extension 2,1m		1
3	M4150	Tubing extension 4.5m		1
3	M4250	Tubing extension 7.6m		1
7	M4650	Tubing-connector		1
8	M1523	COLLECTEUR CONDENSATION		1
9	M1220	CONNECTOR TUBE tunable		1
10	M1225	Revolving male-female tubing connector		1
11	M1221	Connector, swivel,w/clip universal-25/c(Invacare)		1
12	M1222	Connector, swivel,w/clip delicate-25/cs(Invacare)		1
13	M1521	SUPPORT POUR HUMIDIFICATEUR		1
14	1509582	High-Flow Humidifier w/ 6PSI Pressure Relief Val		1
15	1533371-TPO160	Bag, Solo2 without humidifier		1
16	1533371-TPO170	Bag, Solo2 with humidifier		1



Yes, you can.®



---

**Belgium & Luxemburg:**

Invacare nv, Autobaan 22, B-8210 Loppem  
Tel: (32) (0)50 83 10 10, Fax: (32) (0)50 83 10 11  
belgium@invacare.com / www.invacare.be

**Denmark:**

Invacare A/S, Sdr. Ringvej 37, DK-2605 Brøndby  
Tel: (45) (0)36 90 00 00, Fax: (45) (0)36 90 00 01  
denmark@invacare.com / www.invacare.dk

**Deutschland:**

Invacare Aquatec GmbH, Alemannenstraße 10, D-88316 Isny  
Tel: (49) (0)75 62 7 00 0, Fax: (49) (0)75 62 7 00 66  
info@invacare-aquatec.com / www.invacare-aquatec.de

**European Distributor Organisation:**

Invacare, Kleiststraße 49, D-32457 Porta Westfalica  
Tel: (49) (0)57 31 754 540, Fax: (49) (0)57 31 754 541  
edo@invacare.com / www.invacare.eu.com

**España:**

Invacare SA, c/Areny s/n, Polígon Industrial de Celrà, E-17460 Celrà (Girona)  
Tel: (34) (0)972 49 32 00, Fax: (34) (0)972 49 32 20  
contactsp@invacare.com / www.invacare.es

**France:**

Invacare Poirier SAS, Route de St Roch, F-37230 Fondettes  
Tel: (33) (0)2 47 62 64 66, Fax: (33) (0)2 47 42 12 24  
contactfr@invacare.com / www.invacare.fr

**Ireland:**

Invacare Ireland Ltd, Unit 5 Seatown Business Campus, Seatown Road, Swords, County Dublin - Ireland  
Tel: (353) 1 810 7084, Fax: (353) 1 810 7085  
ireland@invacare.com / www.invacare.ie

**Italia:**

Invacare Mecc San s.r.l., Via dei Pini 62, I-36016 Thiene (VI)  
Tel: (39) 0445 38 00 59, Fax: (39) 0445 38 00 34  
italia@invacare.com / www.invacare.it

**Nederland:**

Invacare BV, Celsiusstraat 46, NL-6716 BZ Ede  
Tel: (31) (0)318 695 757, Fax: (31) (0)318 695 758  
nederland@invacare.com, csede@invacare.com / www.invacare.nl

**Norge:**

Invacare AS, Grensesvingen 9, Postboks 6230, Etterstad, N-0603 Oslo  
Tel: (47) (0)22 57 95 00, Fax: (47) (0)22 57 95 01  
norway@invacare.com, island@invacare.com / www.invacare.no

**Österreich:**

Invacare Austria GmbH, Herzog Odilostrasse 101, A-5310 Mondsee  
Tel: (43) 6232 5535 0, Fax: (43) 6232 5535 4  
info-austria@invacare.com / www.invacare.at

**Portugal:**

Invacare Lda, Rua Estrada Velha, 949, P-4465-784 Leça do Balio  
Tel: (351) (0)225 1059 46/47, Fax: (351) (0)225 1057 39  
portugal@invacare.com / www.invacare.pt

**Sverige & Suomi:**

Invacare AB, Fagerstagatan 9, S-163 91 Spånå  
Tel: (46) (0)8 761 70 90, Fax: (46) (0)8 761 81 08  
sweden@invacare.com, finland@invacare.com / www.invacare.se

**Switzerland:**

Invacare AG, Benkenstrasse 260, CH-4108 Witterswil  
Tel: (41) (0)61 487 70 80, Fax: (41) (0)61 487 70 81  
switzerland@invacare.com / www.invacare.ch

**United Kingdom:**

Invacare Limited, Pencoed Technology Park, Pencoed, Bridgend CF35 5AQ  
Switchboard Tel: (44) (0)1656 776200, Fax: (44) (0)1656 776201  
Customer services Tel: (44) (0)1656 776222, Fax: (44) (0)1656 776220  
uk@invacare.com / www.invacare.co.uk