

Spare Parts Catalogue

Version: 2015/01/05a EN





Yes, you can.®

General Information

For any order of spare parts the following information is required:

- Product type*
- Product name & model*
- Serial Number*
- Part-Number*
- Part-Description*

Exploded view drawings and code numbers are not contractual and subject to modification, in relation to Invacare® continuous product improvement policy to meet end users needs.

The reproduction or use of this work, or of any substantial part of this work, in any form or by any electronic, mechanical or other means, including photocopying, scanning and recording, and in any information storage and retrieval system, including electronic transmission, is forbidden without the prior written permission of Invacare® International Sarl.



Yes, you can.[®]

TABLE OF CONTENTS

Drive unit scalacombi S34

Drive unit scalacombi S34	5
Drive unit scalacombi S34 spare-parts	6
Front housing motor unit S34	7
Batteries scalamobil complete	8
Housing motor unit S34 with light conductor label and rubber protectors	9
Motor unit S34	10
Excenter S34	11
Outer wheel scalamobil S30 complete	12
Brake scalamobil S30/S34 right complete	13
Brake scalamobil S30/S34 left complete	14

Handle bar S34 without backrest

Handle bar S34 without backrest	15
Handlebar scalamobil S34 spare-parts	16

Seat unit and footrest scalamobil S31 completely mounted

Seat unit and footrest scalamobil S31 completely mounted	17
Seat unit and footrest scalacombi S34 spare-parts	18

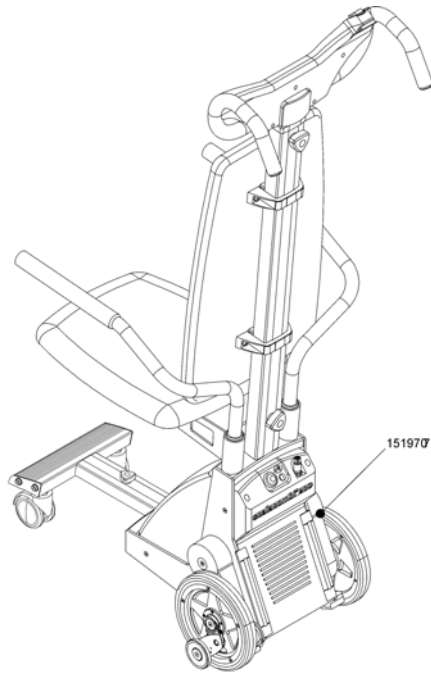
Battery charger scalamobil 0,5 A (BC24005LA) with main cable EU

Battery charger scalamobil 0,5 A (BC24005LA) with main cable EU	19
---	----

Others options & accessories

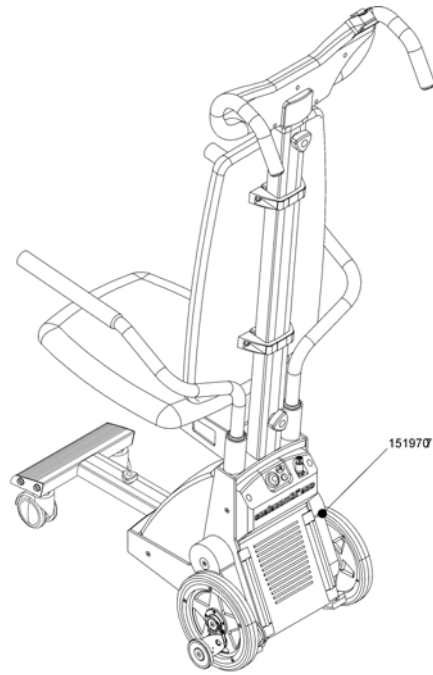
Others options & accessories	20
------------------------------------	----

Drive unit scalacombi S34



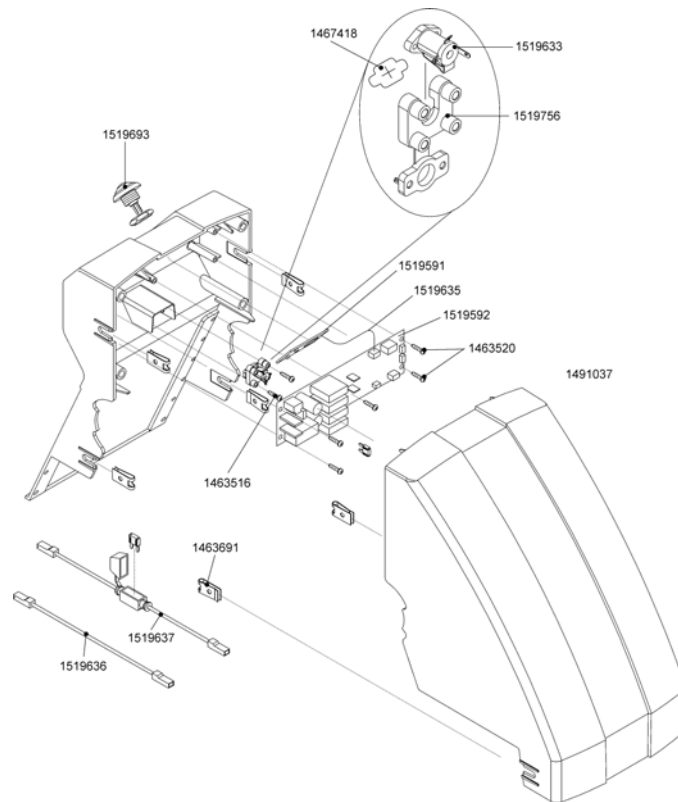
Pos.	Part number	Description	Valid from → until	Qty
		Drive unit scalacombi S34 spare-parts		
	1519707	Drive unit scalacombi S34		1

Drive unit scalacombi S34 spare-parts



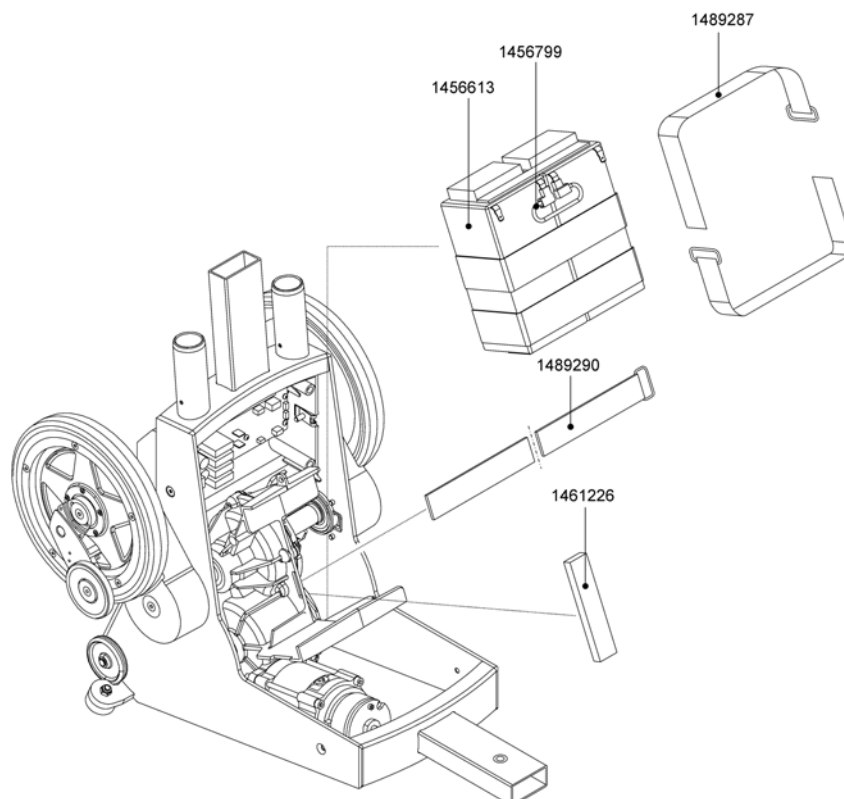
Pos.	Part number	Description	Valid from → until	Qty
		Front housing motor unit S34		1
		Batteries scalamobil complete		1
		Housing motor unit S34 with light conductor label and rubber protectors		1
		Motor unit S34		1
		Excenter S34		1

Front housing motor unit S34



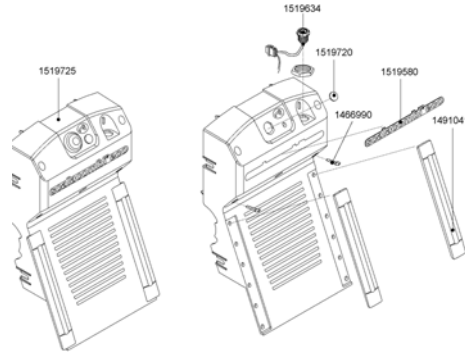
Pos.	Part number	Description	Valid from → until	Qty
	1463516	Screw Ejot PT KA 30 x 5 WN		1
	1463520	Screw Ejot PT K 30 x 14 WN		1
	1463691	Spring nut		1
	1490503	Washer		1
	1491037	Front housing motor unit S34		1
	1519591	LED of immobiliser		1
	1519592	Main circuit board S34		1
	1467418	Membrane e-fix E25/E26		1
	1519756	Holder for charging socket		1
	1519633	Charging socket with cable S34		1
	1519635	Connector S34		1
	1519636	Battery cable (negative pole)		1
	1519637	Battery cable (positive pole)		1
	1519693	On/Off switch S34		1

Batteries scalamobil complete



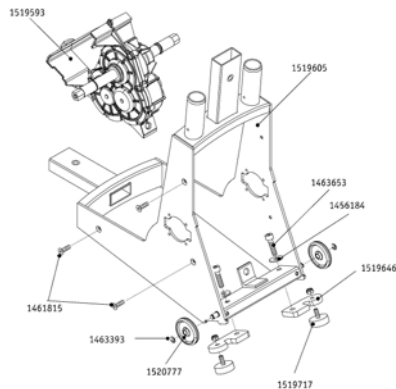
Pos.	Part number	Description	Valid from → until	Qty
	1456613	Foam rubber small		1
	1456799	Batteries scalamobil complete		1
	1461226	Rubber pad for battery S34		1
	1489287	Strap 350 mm, Black		1
	1489290	Strap 500 mm, Black		1

Housing motor unit S34 with light conductor label and rubber protectors



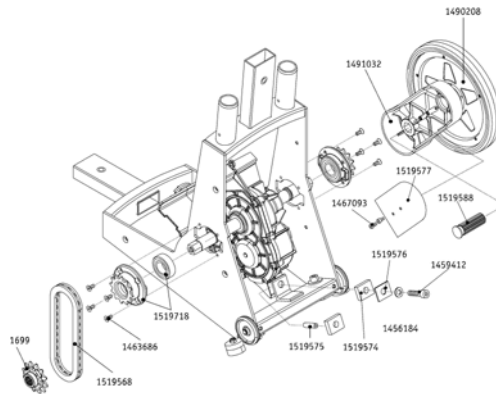
Pos.	Part number	Description	Valid from → until	Qty
	1466990	Screw Remform 4 x 30 WN		1
	1491041	Rubber protector for housing S34		1
	1519580	Label "scalacombi eco"		1
	1519634	Connecting cable circuit board S34		1
	1519720	Light conductor status bar display S34		1
	1519725	Housing motor unit S34 with light conductor label and rubber protectors		1

Motor unit S34



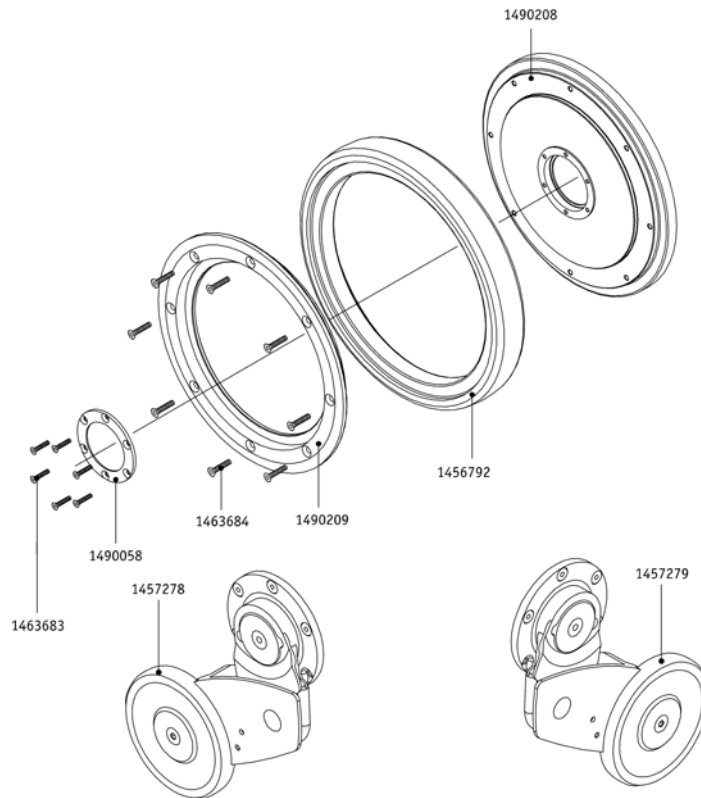
Pos.	Part number	Description	Valid from → until	Qty
	1456184	Washer DIN 125		1
	1458360	Wheel for anti-tippers		1
	1461815	Screw Torx M 5 x 18		1
	1463393	Securing disk DIN 6799		1
	1463653	Cylinder head screw DIN 912 - M 8 x 25		1
	1519593	Motor unit S34		1
	1519605	Frame S34		1
	1519646	Punch climbing mechanism S34		1
	1519717	Rubber pad for punch S34		1

Excenter S34



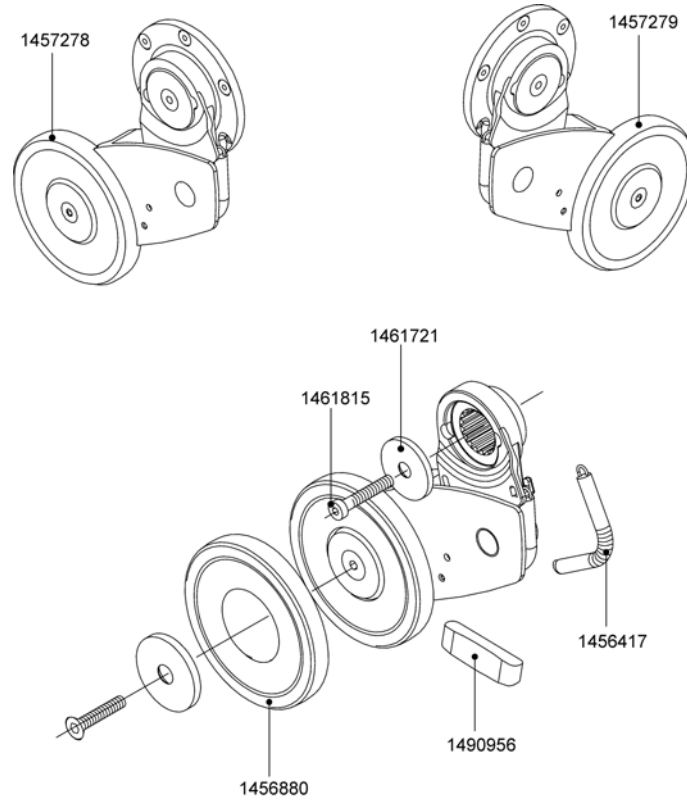
Pos.	Part number	Description	Valid from → until	Qty
	1456184	Washer DIN 125		1
	1459412	Cylinder head screw DIN 912 - M 8 x 35		1
	1461699	Toothed wheel scalamobil S30		1
	1463686	Torx screw DIN 7991 - M 5 x 12		1
	1467093	Countersunk head screw M 4 x 10		1
	1491032	Excenter S34		1
	1519568	Chain S34 (30 elements)		1
	1519574	Rubber pad for bracket of motor unit S34		1
	1519575	Bush for bracket of motor unit S34		1
	1519576	Blank sheet for bracket of motor unit S34		1
	1519577	Cover for Excenter S34		1
	1519581	Cog wheel S34 mit bearing for drive schaft		1
	1519588	Brake shaft S34		1
	1519718	Bearing		1
	1464450	Outer wheel scalamobil S30 complete		1

Outer wheel scalamobil S30 complete



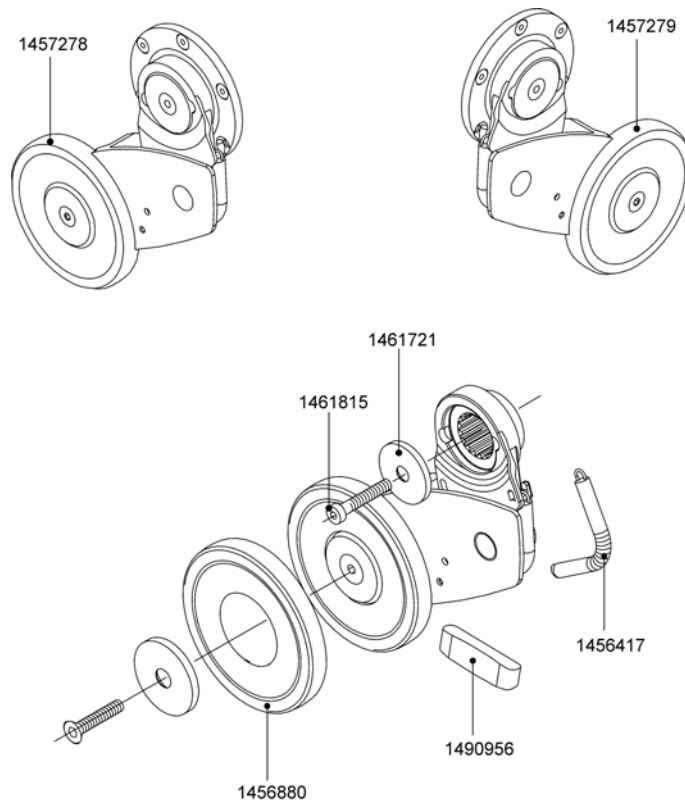
Pos.	Part number	Description	Valid from → until	Qty
	1456792	Tyre for scalamobil S30/S34/S35		1
	1463683	Screw hubcap - M 3 x 8		1
	1463684	Screw for rim - M 4 x 18		1
	1465346	Ball bearing scalamobil		1
	1490058	Hub cover S30/S34/S35 beamless		1
	1490208	Rim inner wheel scalamobil S30/S34/S35 beamless		1
	1490209	Rim outer wheel scalamobil S30/S34/S35		1
		Brake scalamobil S30/S34 right complete		1
		Brake scalamobil S30/S34 left complete		1

Brake scalamobil S30/S34 right complete



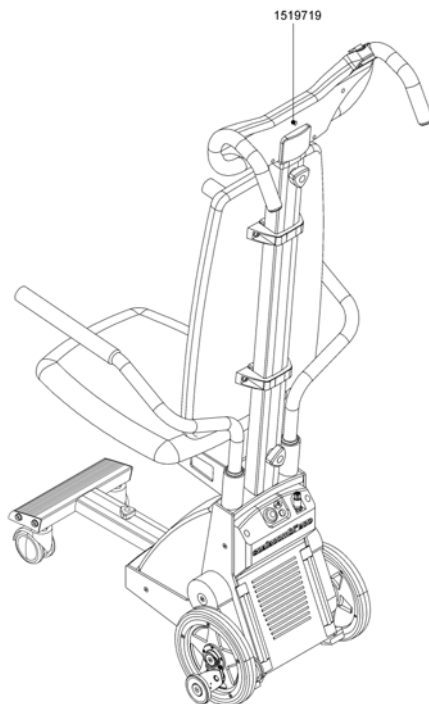
Pos.	Part number	Description	Valid from → until	Qty
	1456417	Tension spring brake		1
	1456794	Brake lining scalamobil S30/S31, S34, S38/S39		1
	1456880	Braking wheel scalamobil S30/S34		1
	1461721	Washer		1
	1461815	Screw Torx M 5 x 18		1

Brake scalamobil S30/S34 left complete



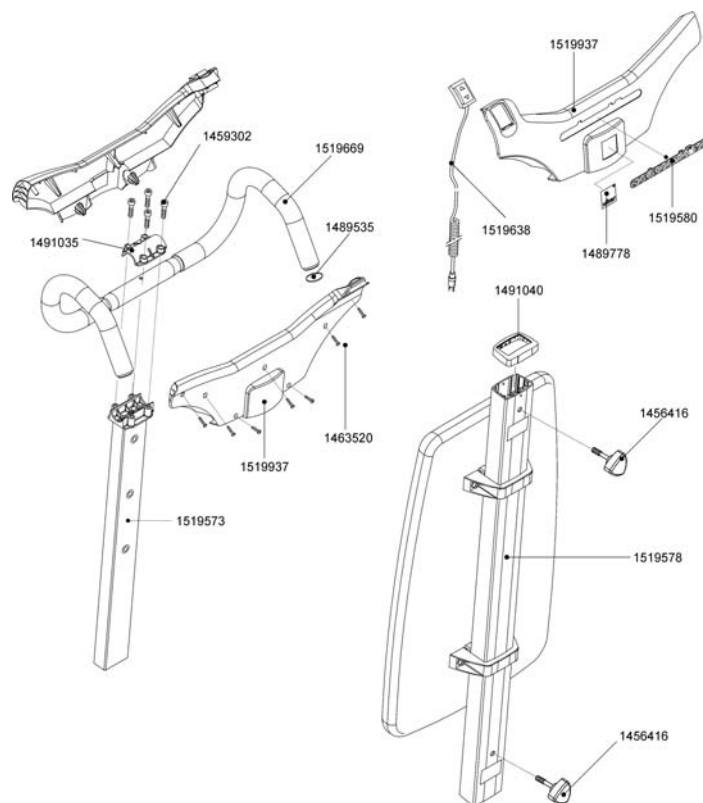
Pos.	Part number	Description	Valid from → until	Qty
	1456417	Tension spring brake		1
	1456794	Brake lining scalamobil S30/S31, S34, S38/S39		1
	1456880	Braking wheel scalamobil S30/S34		1
	1461721	Washer		1
	1461815	Screw Torx M 5 x 18		1

Handle bar S34 without backrest



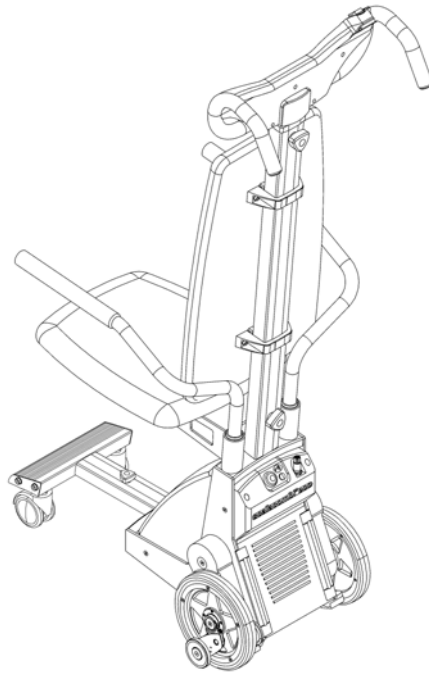
Pos.	Part number	Description	Valid from → until	Qty
		Handlebar scalamobil S34 spare-parts		
	1519719	Handle bar S34 without backrest		1

Handlebar scalamobil S34 spare-parts



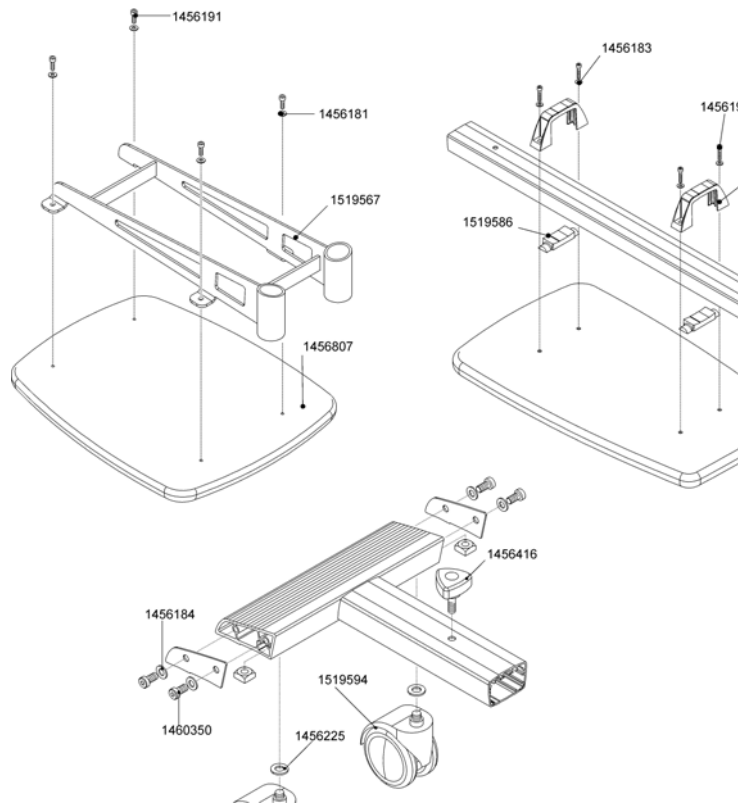
Pos.	Part number	Description	Valid from → until	Qty
	1456416	Adjustment knob scalamobil scalamobil		1
	1459302	Cylinder head screw DIN 912 - M 6 x 25		1
	1463520	Screw Eject PT K 30 x 14 WN		1
	1489535	Plug for handle S34		1
	1489778	Sticker "Alber" 28 x 28mm		1
	1491035	Clamp for handle S34		1
	1519937	Cover S34		1
	1491040	Profile cover for stanchion handle S34		1
	1519573	Reception tube for handle S34		1
	1519578	Stanchion for handle S34		1
	1519580	Label "scalacombi eco"		1
	1519638	Sprialcable with toggle switch S34		1
	1519669	Handle S34 with soft cover		1

Seat unit and footrest scalamobil S31 completely mounted



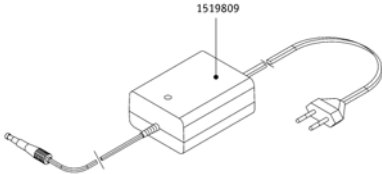
Pos.	Part number	Description	Valid from → until	Qty
		Seat unit and footrest scalacombi S34 spare-parts		

Seat unit and footrest scalamobil S34 spare-parts



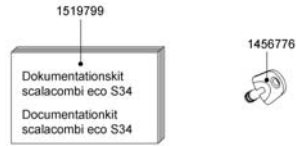
Pos.	Part number	Description	Valid from → until	Qty
	1456181	Securing disk S - 3 - FSt		1
	1456183	Washer DIN 125 - A 6,4		1
	1456191	Cylinder head screw DIN 912 - M 6 x 20		1
	1456807	Seat plate with cushion scalacombi		1
	1519586	Spacer for backrest S34		1
	1519587	Clamp for backrest S34		1
	1519711	Backrest S34		1
	1519602	Seat plate S34		1
	1456184	Washer DIN 125		1
	1456225	Washer DIN 125 - A10,5		1
	1456416	Adjustment knob scalamobil scalamobil		1
	1460350	Cylinder head screw DIN 7984 - M 8 x 16		1
	1519594	Castor wheel S34		1

Battery charger scalamobil 0,5 A (BC24005LA) with main cable EU



Pos.	Part number	Description	Valid from → until	Qty
	1489340	Battery charger scalamobil 0,5 A (BC24005LA) with main cable EU		1

Others options & accessories



Pos.	Part number	Description	Valid from → until	Qty
	1456776	Immobiliser key		1
	1519799	Documentation Kit S34 multilingual		1



Yes, you can.®



Belgium & Luxemburg:

Invacare nv, Autobaan 22, B-8210 Loppem
Tel: (32) (0)50 83 10 10, Fax: (32) (0)50 83 10 11
belgium@invacare.com / www.invacare.be

Denmark:

Invacare A/S, Sdr. Ringvej 37, DK-2605 Brøndby
Tel: (45) (0)36 90 00 00, Fax: (45) (0)36 90 00 01
denmark@invacare.com / www.invacare.dk

Deutschland:

Invacare Aquatec GmbH, Alemannenstraße 10, D-88316 Isny
Tel: (49) (0)75 62 7 00 0, Fax: (49) (0)75 62 7 00 66
info@invacare-aquatec.com / www.invacare-aquatec.de

European Distributor Organisation:

Invacare, Kleiststraße 49, D-32457 Porta Westfalica
Tel: (49) (0)57 31 754 540, Fax: (49) (0)57 31 754 541
edo@invacare.com / www.invacare.eu.com

España:

Invacare SA, c/Areny s/n, Polígon Industrial de Celrà, E-17460 Celrà (Girona)
Tel: (34) (0)972 49 32 00, Fax: (34) (0)972 49 32 20
contactsp@invacare.com / www.invacare.es

France:

Invacare Poirier SAS, Route de St Roch, F-37230 Fondettes
Tel: (33) (0)2 47 62 64 66, Fax: (33) (0)2 47 42 12 24
contactfr@invacare.com / www.invacare.fr

Ireland:

Invacare Ireland Ltd, Unit 5 Seatown Business Campus, Seatown Road, Swords, County Dublin - Ireland
Tel: (353) 1 810 7084, Fax: (353) 1 810 7085
ireland@invacare.com / www.invacare.ie

Italia:

Invacare Mecc San s.r.l., Via dei Pini 62, I-36016 Thiene (VI)
Tel: (39) 0445 38 00 59, Fax: (39) 0445 38 00 34
italia@invacare.com / www.invacare.it

Nederland:

Invacare BV, Celsiusstraat 46, NL-6716 BZ Ede
Tel: (31) (0)318 695 757, Fax: (31) (0)318 695 758
nederland@invacare.com, csede@invacare.com / www.invacare.nl

Norge:

Invacare AS, Grensesvingen 9, Postboks 6230, Etterstad, N-0603 Oslo
Tel: (47) (0)22 57 95 00, Fax: (47) (0)22 57 95 01
norway@invacare.com, island@invacare.com / www.invacare.no

Österreich:

Invacare Austria GmbH, Herzog Odilostrasse 101, A-5310 Mondsee
Tel: (43) 6232 5535 0, Fax: (43) 6232 5535 4
info-austria@invacare.com / www.invacare.at

Portugal:

Invacare Lda, Rua Estrada Velha, 949, P-4465-784 Leça do Balio
Tel: (351) (0)225 1059 46/47, Fax: (351) (0)225 1057 39
portugal@invacare.com / www.invacare.pt

Sverige & Suomi:

Invacare AB, Fagerstagatan 9, S-163 91 Spånga
Tel: (46) (0)8 761 70 90, Fax: (46) (0)8 761 81 08
sweden@invacare.com, finland@invacare.com / www.invacare.se

Switzerland:

Invacare AG, Benkenstrasse 260, CH-4108 Witterswil
Tel: (41) (0)61 487 70 80, Fax: (41) (0)61 487 70 81
switzerland@invacare.com / www.invacare.ch

United Kingdom:

Invacare Limited, Pencoed Technology Park, Pencoed, Bridgend CF35 5AQ
Switchboard Tel: (44) (0)1656 776200, Fax: (44) (0)1656 776201
Customer services Tel: (44) (0)1656 776222, Fax: (44) (0)1656 776220
uk@invacare.com / www.invacare.co.uk