

Spare Parts Catalogue

Version: 2016/06/27a NO



küschall Advance™



Yes, you can.®

General Information

For any order of spare parts the following information is required:

- Product type*
- Product name & model*
- Serial Number*
- Part-Number*
- Part-Description*

Exploded view drawings and code numbers are not contractual and subject to modification, in relation to Invacare® continuous product improvement policy to meet end users needs.

The reproduction or use of this work, or of any substantial part of this work, in any form or by any electronic, mechanical or other means, including photocopying, scanning and recording, and in any information storage and retrieval system, including electronic transmission, is forbidden without the prior written permission of Invacare® International Sarl.



Yes, you can.[®]

TABLE OF CONTENTS

(INFORMATION)

(INFORMATION)	7
(Abbreviations)	8
(Frame colours)	9
(CPS colours)	10

(CHASSIS)

(CHASSIS)	11
(Frame Aluminium 75° standard)	12
(Frame Aluminium 75° adducted)	13
(Frame Aluminium 75° quick release)	14
(Frame Aluminium 90° standard)	16
(Frame Aluminium 90° adducted)	17
(Frame Aluminium 90° quick release)	18
(Axle tube Aluminium)	20
(Axle tube Carbon)	21
(Vario-Ax)	22
(Vertical brace)	23
(Axle holder)	24

(SEAT)

(SEAT)	25
(Seat module)	26
(Seat cushion standard)	28

(BACKREST)

(BACKREST)	30
(Backrest standard)	31
(Küschall backrest parts for Matrx backs)	33
(Backrest cover light)	34
(Bands to adjustable backrest)	37
(Cover to adjustable backrest)	38
(Push handles, height adjustable, rear set)	39

(FOOTREST)

(FOOTREST)	40
(Footrest standard)	41
(Footrest standard highmounted)	43
(Footrest standard for adducted frame)	45
(Footrest standard highmounted for adducted frame)	47
(Footrest standard for quick release frame)	48
(Footrest standard highmounted for quick release frame)	50
(Footrest angle adjustable)	52
(Footrest angle adjustable highmounted)	53
(Footrest angle adjustable for adducted frame)	54
(Footrest angle adjustable highmounted for adducted frame)	55
(Footrest flip-to-side)	56
(Footrest flip-to-side for adducted frame)	57
(Calf strap)	58



Yes, you can.®

TABLE OF CONTENTS

(SIDERESTS)

(SIDERESTS)	59
(Clothes-guards carbon)	60
(Configuration table clothes-guard carbon)	61
(Mudguards carbon)	62
(Configuration table mudguards carbon)	63
(Siderest height adjustable)	64
(Tubular armrest)	65

(FRONT WHEELS)

(FRONT WHEELS)	66
(Front forks standard)	67
(Configuration table for front fork size)	69
(Front wheels)	70

(REAR WHEELS)

(REAR WHEELS)	72
(22" Kuschall rear wheels complete)	73
(24" Kuschall rear wheels complete)	75
(26" Kuschall rear wheels complete)	78
(High Performance wheel)	81
(Mountainbike wheel)	83
(Ultra-light fibre wheel)	84
(Spinergy wheel)	85
(Spinergy LXX wheel)	86
(Hub brake wheel)	87
(Handrim)	88
(Fixation handrim)	89
(Tyre)	90
(Inner tube and rim protector)	91
(Spokes guard)	92
(Quick release axle and bearing)	93

(BRAKES)

(BRAKES)	94
(Brakes)	95

(SEAT ACCESSORIES)

(SEAT ACCESSORIES)	96
(Seat bag)	97

(OPTIONS & ACCESSORIES)

(OPTIONS & ACCESSORIES)	98
(Antitipper)	99
(Antitipper with configurations)	100
(Active Antitipper)	101
(Transit wheel)	102
(Luggage holder)	103



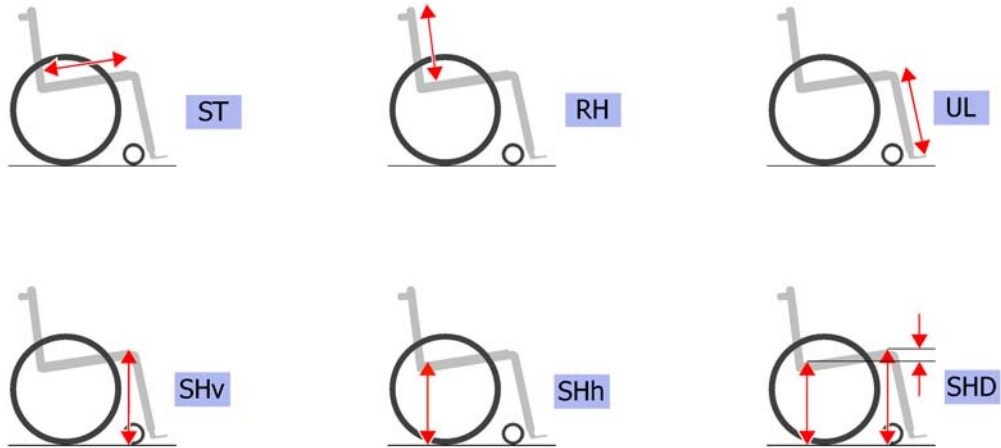
Yes, you can.[®]

TABLE OF CONTENTS

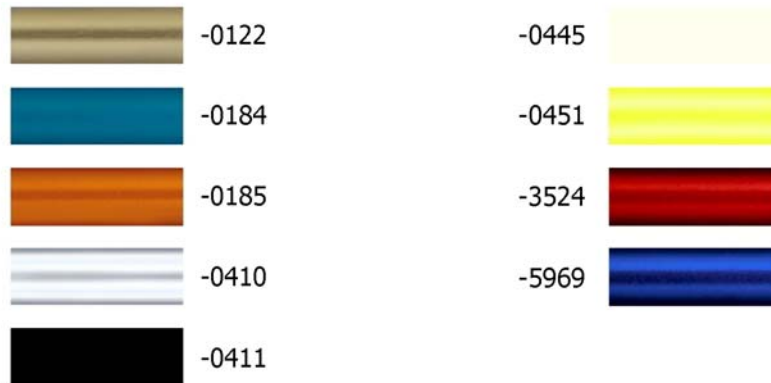
(Chair accessories)	104
(Fixation: screws, ...)	105
(Socket head cap screws)	106
(Countersunk screws)	109
(Button head screws)	111
(Hex-head screws, diverse, ...)	113
(Washers)	115
(Nuts)	117
(Pins, rivets, ...)	119

1	-	(Abbreviations)	1
2	-	(Frame colours)	1
3	-	(CPS colours)	1

(Abbreviations)

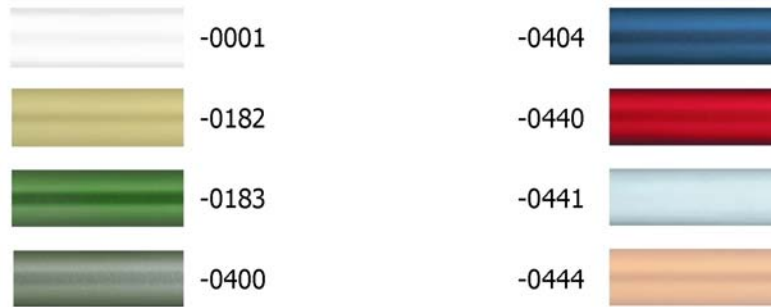


L	-	(Left side (sitting in the wheelchair))	0
R	-	(Right side (sitting in the wheelchair))	0
L+R	-	(Left and right sides (paire))	0
SB	-	(Seat width (2 digits in cm or 3 digits in mm))	0
ST	-	(Seat depth (2 digits in cm or 3 digits in mm))	0
RH	-	(Backrest height (2 digits in cm or 3 digits in mm))	0
UL	-	(Knee-to-heel length (2 digits in cm or 3 digits in mm))	0
SHv	-	(Front seat-to-floor height (2 digits in cm or 3 digits in mm))	0
SHh	-	(Rear seat-to-floor height (2 digits in cm or 3 digits in mm))	0
SHD	-	(Front and rear seat-to-floor height difference (2 digits in cm or 3 digits in mm))	0

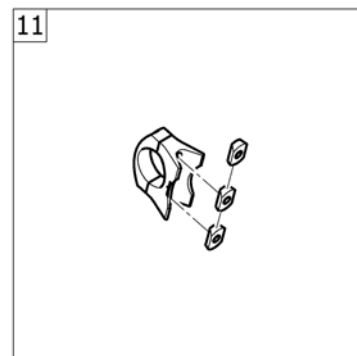
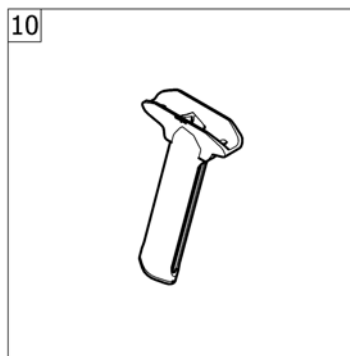
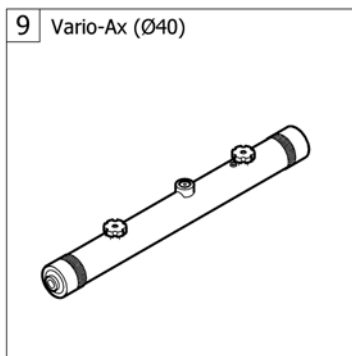
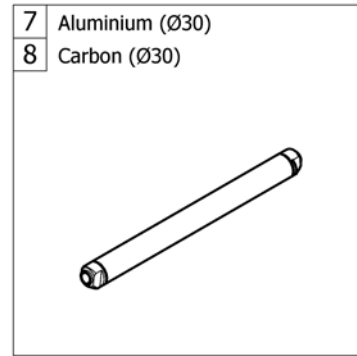
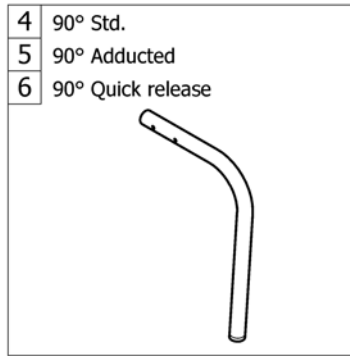
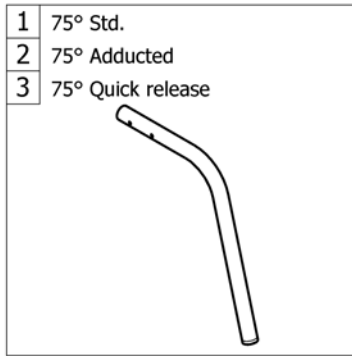
(Frame colours)

-0122	-	(Color code for golden beach frames)	01.01.2013 → 31.12.2014	0
-0184	-	(Color code for mercury blue frames)	01.01.2015 →	0
-0185	-	(Color code for dynamite orange frames)	01.01.2015 →	0
-0410	-	(Color code for polished frames)		0
-0411	-	(Color code for black matt frames)		0
-0445	-	(Color code for ivory white frames)		0
-0451	-	(Color code for flashy yellow frames)		0
-3524	-	(Color code for royal red frames)		0
-5969	-	(Color code for royal blue frames)		0

(CPS colours)

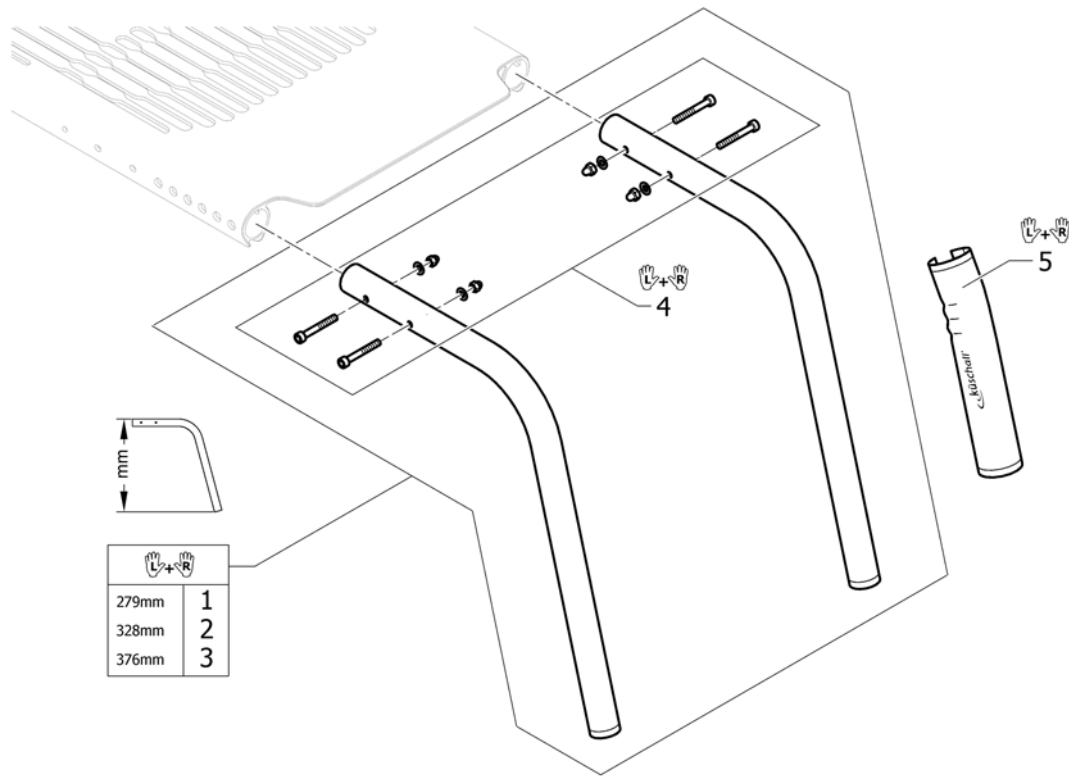


-0001	-	(Color code for chrome CPS)		0
-0182	-	(Color code for champagne CPS)	01.01.2013 →	0
-0183	-	(Color code for olive CPS)	01.01.2013 → 31.12.2014	0
-0400	-	(Color code for techno-anthrazit CPS)		0
-0404	-	(Color code for b-blue CPS)	14.05.2012 → 31.12.2014	0
-0440	-	(Color code for comet red CPS)		0
-0441	-	(Color code for arctic blue CPS)		0
-0444	-	(Color code for copper glaze CPS)	14.05.2012 → 31.12.2014	0

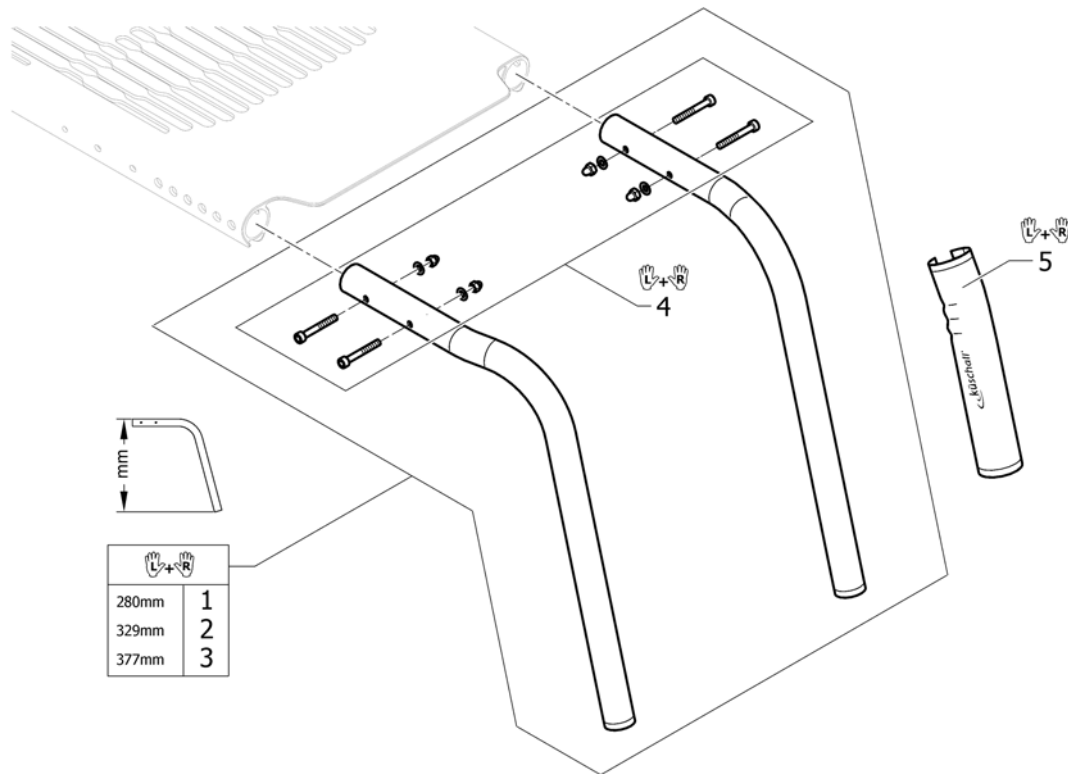


1	-	(Frame Aluminium 75° standard)		1
2	-	(Frame Aluminium 75° adducted)		1
3	-	(Frame Aluminium 75° quick release)	01.01.2013 →	1
4	-	(Frame Aluminium 90° standard)		1
5	-	(Frame Aluminium 90° adducted)		1
6	-	(Frame Aluminium 90° quick release)	01.01.2013 →	1
7	-	(Axle tube Aluminium)		1
8	-	(Axle tube Carbon)		1
9	-	(Vario-Ax)		1
10	-	(Vertical brace)		1
11	-	(Axle holder)		1

(Frame Aluminium 75° standard)

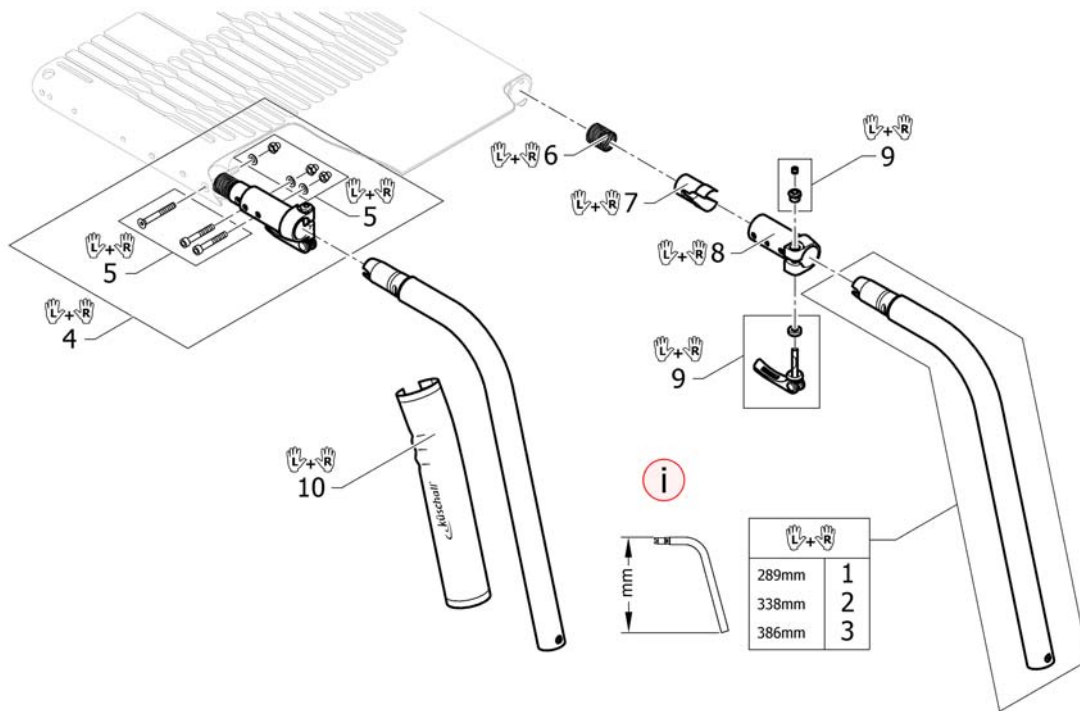


1	1560203-0122	(Front frame 75° short, pair, golden beach)	01.01.2013 → 31.12.2014	1
1	1560203-0184	(Front frame 75° short, pair, mercury blue)	01.01.2015 →	1
1	1560203-0185	(Front frame 75° short, pair, dynamite orange)	01.01.2015 →	1
1	1560203-0410	(Front frame 75° short, pair, polished)		1
1	1560203-0411	(Front frame 75° short, pair, black matt)		1
1	1560203-0445	(Front frame 75° short, pair, ivory white)		1
1	1560203-0451	(Front frame 75° short, pair, flashy yellow)		1
1	1560203-3524	(Front frame 75° short, pair, royal red)		1
1	1560203-5969	(Front frame 75° short, pair, royal blue)		1
2	1560204-0122	(Front frame 75° medium, pair, golden beach)	01.01.2013 → 31.12.2014	1
2	1560204-0184	(Front frame 75° medium, pair, mercury blue)	01.01.2015 →	1
2	1560204-0185	(Front frame 75° medium, pair, dynamite orange)	01.01.2015 →	1
2	1560204-0410	(Front frame 75° medium, pair, polished)		1
2	1560204-0411	(Front frame 75° medium, pair, black matt)		1
2	1560204-0445	(Front frame 75° medium, pair, ivory white)		1
2	1560204-0451	(Front frame 75° medium, pair, flashy yellow)		1
2	1560204-3524	(Front frame 75° medium, pair, royal red)		1
2	1560204-5969	(Front frame 75° medium, pair, royal blue)		1
3	1560205-0122	(Front frame 75° long, pair, golden beach)	01.01.2013 → 31.12.2014	1
3	1560205-0184	(Front frame 75° long, pair, mercury blue)	01.01.2015 →	1
3	1560205-0185	(Front frame 75° long, pair, dynamite orange)	01.01.2015 →	1
3	1560205-0410	(Front frame 75° long, pair, polished)		1
3	1560205-0411	(Front frame 75° long, pair, black matt)		1
3	1560205-0445	(Front frame 75° long, pair, ivory white)		1
3	1560205-0451	(Front frame 75° long, pair, flashy yellow)		1
3	1560205-3524	(Front frame 75° long, pair, royal red)		1
3	1560205-5969	(Front frame 75° long, pair, royal blue)		1
4	1560215	(Fixation kit seat module, Alu frame)		1
5	1529372	RAMMEBESKYTTER FRONT KSL		1

(Frame Aluminium 75° adducted)

1	1560209-0122	(Front frame 75° adducted, short, pair, golden beach)	01.01.2013 → 31.12.2014	1
1	1560209-0184	(Front frame 75° adducted, short, pair, mercury blue)	01.01.2015 →	1
1	1560209-0185	(Front frame 75° adducted, short, pair, dynamite orange)	01.01.2015 →	1
1	1560209-0410	(Front frame 75° adducted, short, pair, polished)		1
1	1560209-0411	(Front frame 75° adducted, short, pair, black matt)		1
1	1560209-0445	(Front frame 75° adducted, short, pair, ivory white)		1
1	1560209-0451	(Front frame 75° adducted, short, pair, flashy yellow)		1
1	1560209-3524	(Front frame 75° adducted, short, pair, royal red)		1
1	1560209-5969	(Front frame 75° adducted, short, pair, royal blue)		1
2	1560210-0122	(Front frame 75° adducted, medium, pair, golden beach)	01.01.2013 → 31.12.2014	1
2	1560210-0184	(Front frame 75° adducted, medium, pair, mercury blue)	01.01.2015 →	1
2	1560210-0185	(Front frame 75° adducted, medium, pair, dynamite orange)	01.01.2015 →	1
2	1560210-0410	(Front frame 75° adducted, medium, pair, polished)		1
2	1560210-0411	(Front frame 75° adducted, medium, pair, black matt)		1
2	1560210-0445	(Front frame 75° adducted, medium, pair, ivory white)		1
2	1560210-0451	(Front frame 75° adducted, medium, pair, flashy yellow)		1
2	1560210-3524	(Front frame 75° adducted, medium, pair, royal red)		1
2	1560210-5969	(Front frame 75° adducted, medium, pair, royal blue)		1
3	1560211-0122	(Front frame 75° adducted, long, pair, golden beach)	01.01.2013 → 31.12.2014	1
3	1560211-0184	(Front frame 75° adducted, long, pair, mercury blue)	01.01.2015 →	1
3	1560211-0185	(Front frame 75° adducted, long, pair, dynamite orange)	01.01.2015 →	1
3	1560211-0410	(Front frame 75° adducted, long, pair, polished)		1
3	1560211-0411	(Front frame 75° adducted, long, pair, black matt)		1
3	1560211-0445	(Front frame 75° adducted, long, pair, ivory white)		1
3	1560211-0451	(Front frame 75° adducted, long, pair, flashy yellow)		1
3	1560211-3524	(Front frame 75° adducted, long, pair, royal red)		1
3	1560211-5969	(Front frame 75° adducted, long, pair, royal blue)		1
4	1560215	(Fixation kit seat module, Alu frame)		1
5	1529372	RAMMEBESKYTTER FRONT KSL		1

(Frame Aluminium 75° quick release)

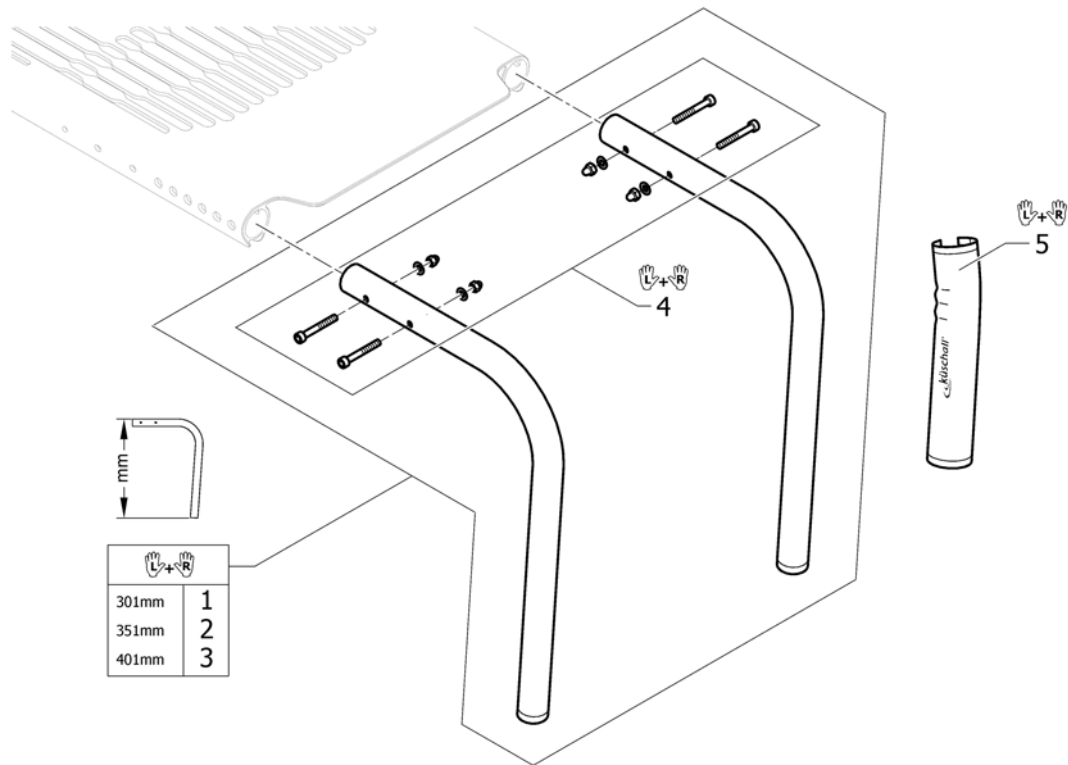


i	-	(A special footrest is necessary. See page: Footrest for quick release frame)		0
1	1567244-0122	(Quick release frames 75° short, pair, golden beach)	01.01.2013 → 31.12.2014	1
1	1567244-0184	(Quick release frames 75° short, pair, mercury blue)	01.01.2015 →	1
1	1567244-0185	(Quick release frames 75° short, pair, dynamite orange)	01.01.2015 →	1
1	1567244-0410	(Quick release frames 75° short, pair, polished)		1
1	1567244-0411	(Quick release frames 75° short, pair, black matt)		1
1	1567244-0445	(Quick release frames 75° short, pair, ivory white)		1
1	1567244-0451	(Quick release frames 75° short, pair, flashy yellow)		1
1	1567244-3524	(Quick release frames 75° short, pair, royal red)		1
1	1567244-5969	(Quick release frames 75° short, pair, royal blue)		1
2	1567245-0122	(Quick release frames 75° medium, pair, golden beach)	01.01.2013 → 31.12.2014	1
2	1567245-0184	(Quick release frames 75° medium, pair, mercury blue)	01.01.2015 →	1
2	1567245-0185	(Quick release frames 75° medium, pair, dynamite orange)	01.01.2015 →	1
2	1567245-0410	(Quick release frames 75° medium, pair, polished)		1
2	1567245-0411	(Quick release frames 75° medium, pair, black matt)		1
2	1567245-0445	(Quick release frames 75° medium, pair, ivory white)		1
2	1567245-0451	(Quick release frames 75° medium, pair, flashy yellow)		1
2	1567245-3524	(Quick release frames 75° medium, pair, royal red)		1
2	1567245-5969	(Quick release frames 75° medium, pair, royal blue)		1
3	1567246-0122	(Quick release frames 75° long, pair, golden beach)	01.01.2013 → 31.12.2014	1
3	1567246-0184	(Quick release frames 75° long, pair, mercury blue)	01.01.2015 →	1
3	1567246-0185	(Quick release frames 75° long, pair, dynamite orange)	01.01.2015 →	1
3	1567246-0410	(Quick release frames 75° long, pair, polished)		1
3	1567246-0411	(Quick release frames 75° long, pair, black matt)		1
3	1567246-0445	(Quick release frames 75° long, pair, ivory white)		1
3	1567246-0451	(Quick release frames 75° long, pair, flashy yellow)		1
3	1567246-3524	(Quick release frames 75° long, pair, royal red)		1
3	1567246-5969	(Quick release frames 75° long, pair, royal blue)		1

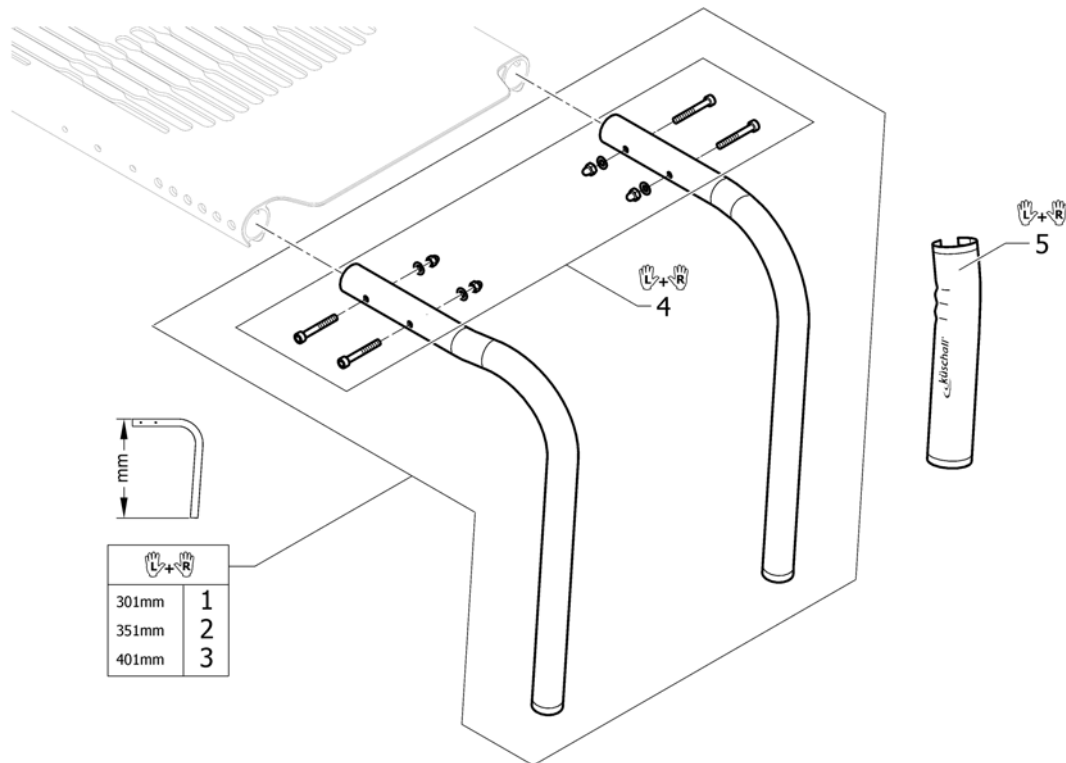
(Frame Aluminium 75° quick release)

4	1567250	(Kit coupling female for quick release frames, complete, pair)	1
5	1567251	(Fixation kit seat module, coupling female for quick release frames, pair)	1
6	1567252	(Spring for quick release frames, pair)	1
7	1567320	(Sleeve for quick release frames, pair)	1
8	1567321	(Coupling female for quick release frames, pair)	1
9	1567322	(Levers complete quick release frames, pair)	1
10	1529372	RAMMEBESKYTTER FRONT KSL	1

(Frame Aluminium 90° standard)

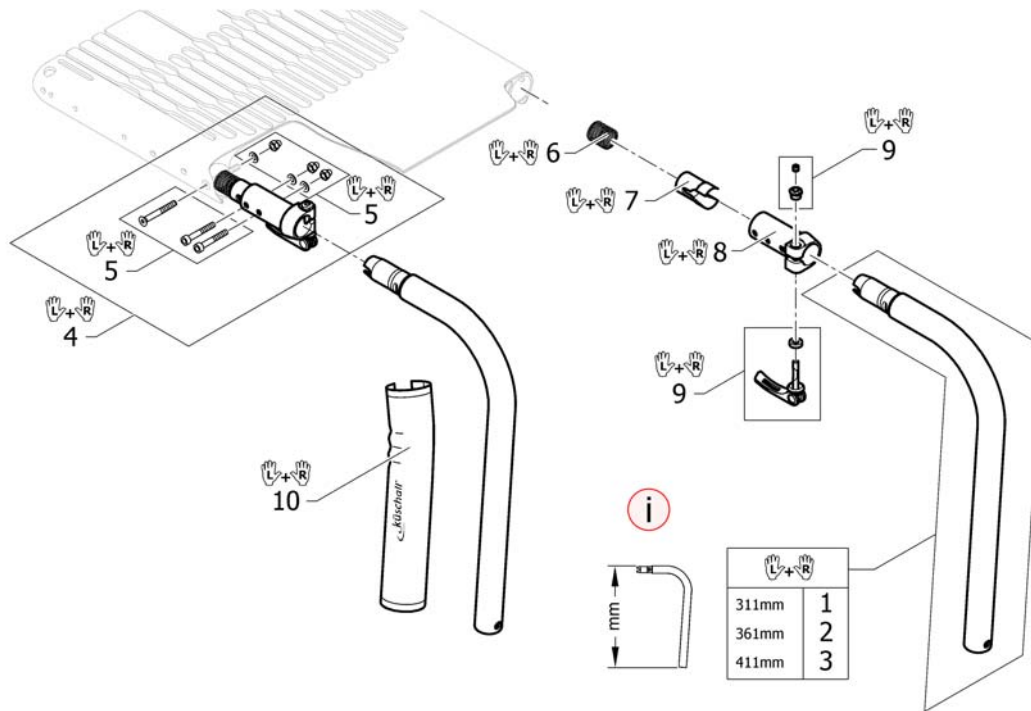


1	1560206-0122	(Front frame 90° short, pair, golden beach)	01.01.2013 → 31.12.2014	1
1	1560206-0184	(Front frame 90° short, pair, mercury blue)	01.01.2015 →	1
1	1560206-0185	(Front frame 90° short, pair, dynamite orange)	01.01.2015 →	1
1	1560206-0410	(Front frame 90° short, pair, polished)		1
1	1560206-0411	(Front frame 90° short, pair, black matt)		1
1	1560206-0445	(Front frame 90° short, pair, ivory white)		1
1	1560206-0451	(Front frame 90° short, pair, flashy yellow)		1
1	1560206-3524	(Front frame 90° short, pair, royal red)		1
1	1560206-5969	(Front frame 90° short, pair, royal blue)		1
2	1560207-0122	(Front frame 90° medium, pair, golden beach)	01.01.2013 → 31.12.2014	1
2	1560207-0184	(Front frame 90° medium, pair, mercury blue)	01.01.2015 →	1
2	1560207-0185	(Front frame 90° medium, pair, dynamite orange)	01.01.2015 →	1
2	1560207-0410	(Front frame 90° medium, pair, polished)		1
2	1560207-0411	(Front frame 90° medium, pair, black matt)		1
2	1560207-0445	(Front frame 90° medium, pair, ivory white)		1
2	1560207-0451	(Front frame 90° medium, pair, flashy yellow)		1
2	1560207-3524	(Front frame 90° medium, pair, royal red)		1
2	1560207-5969	(Front frame 90° medium, pair, royal blue)		1
3	1560208-0122	(Front frame 90° long, pair, golden beach)	01.01.2013 → 31.12.2014	1
3	1560208-0184	(Front frame 90° long, pair, mercury blue)	01.01.2015 →	1
3	1560208-0185	(Front frame 90° long, pair, dynamite orange)	01.01.2015 →	1
3	1560208-0410	(Front frame 90° long, pair, polished)		1
3	1560208-0411	(Front frame 90° long, pair, black matt)		1
3	1560208-0445	(Front frame 90° long, pair, ivory white)		1
3	1560208-0451	(Front frame 90° long, pair, flashy yellow)		1
3	1560208-3524	(Front frame 90° long, pair, royal red)		1
3	1560208-5969	(Front frame 90° long, pair, royal blue)		1
4	1560215	(Fixation kit seat module, Alu frame)		1
5	1529372	RAMMEBESKYTTER FRONT KSL		1

(Frame Aluminium 90° adducted)

1	1560212-0122	(Front frame 90° adducted, short, pair, golden beach)	01.01.2013 → 31.12.2014	1
1	1560212-0184	(Front frame 90° adducted, short, pair, mercury blue)	01.01.2015 →	1
1	1560212-0185	(Front frame 90° adducted, short, pair, dynamite orange)	01.01.2015 →	1
1	1560212-0410	(Front frame 90° adducted, short, pair, polished)		1
1	1560212-0411	(Front frame 90° adducted, short, pair, black matt)		1
1	1560212-0445	(Front frame 90° adducted, short, pair, ivory white)		1
1	1560212-0451	(Front frame 90° adducted, short, pair, flashy yellow)		1
1	1560212-3524	(Front frame 90° adducted, short, pair, royal red)		1
1	1560212-5969	(Front frame 90° adducted, short, pair, royal blue)		1
2	1560213-0122	(Front frame 90° adducted, medium, pair, golden beach)	01.01.2013 → 31.12.2014	1
2	1560213-0184	(Front frame 90° adducted, medium, pair, mercury blue)	01.01.2015 →	1
2	1560213-0185	(Front frame 90° adducted, medium, pair, dynamite orange)	01.01.2015 →	1
2	1560213-0410	(Front frame 90° adducted, medium, pair, polished)		1
2	1560213-0411	(Front frame 90° adducted, medium, pair, black matt)		1
2	1560213-0445	(Front frame 90° adducted, medium, pair, ivory white)		1
2	1560213-0451	(Front frame 90° adducted, medium, pair, flashy yellow)		1
2	1560213-3524	(Front frame 90° adducted, medium, pair, royal red)		1
2	1560213-5969	(Front frame 90° adducted, medium, pair, royal blue)		1
3	1560214-0122	(Front frame 90° adducted, long, pair, golden beach)	01.01.2013 → 31.12.2014	1
3	1560214-0184	(Front frame 90° adducted, long, pair, mercury blue)	01.01.2015 →	1
3	1560214-0185	(Front frame 90° adducted, long, pair, dynamite orange)	01.01.2015 →	1
3	1560214-0410	(Front frame 90° adducted, long, pair, polished)		1
3	1560214-0411	(Front frame 90° adducted, long, pair, black matt)		1
3	1560214-0445	(Front frame 90° adducted, long, pair, ivory white)		1
3	1560214-0451	(Front frame 90° adducted, long, pair, flashy yellow)		1
3	1560214-3524	(Front frame 90° adducted, long, pair, royal red)		1
3	1560214-5969	(Front frame 90° adducted, long, pair, royal blue)		1
4	1560215	(Fixation kit seat module, Alu frame)		1
5	1529372	RAMMEBESKYTTER FRONT KSL		1

(Frame Aluminium 90° quick release)

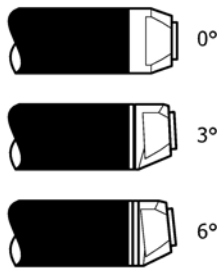


i	-	(A special footrest is necessary. See page: Footrest for quick release frame)		0
1	1567247-0122	(Quick release frames 90° short, pair, golden beach)	01.01.2013 → 31.12.2014	1
1	1567247-0184	(Quick release frames 90° short, pair, mercury blue)	01.01.2015 →	1
1	1567247-0185	(Quick release frames 90° short, pair, dynamite orange)	01.01.2015 →	1
1	1567247-0410	(Quick release frames 90° short, pair, polished)		1
1	1567247-0411	(Quick release frames 90° short, pair, black matt)		1
1	1567247-0445	(Quick release frames 90° short, pair, ivory white)		1
1	1567247-0451	(Quick release frames 90° short, pair, flashy yellow)		1
1	1567247-3524	(Quick release frames 90° short, pair, royal red)		1
1	1567247-5969	(Quick release frames 90° short, pair, royal blue)		1
2	1567248-0122	(Quick release frames 90° medium, pair, golden beach)	01.01.2013 → 31.12.2014	1
2	1567248-0184	(Quick release frames 90° medium, pair, mercury blue)	01.01.2015 →	1
2	1567248-0185	(Quick release frames 90° medium, pair, dynamite orange)	01.01.2015 →	1
2	1567248-0410	(Quick release frames 90° medium, pair, polished)		1
2	1567248-0411	(Quick release frames 90° medium, pair, black matt)		1
2	1567248-0445	(Quick release frames 90° medium, pair, ivory white)		1
2	1567248-0451	(Quick release frames 90° medium, pair, flashy yellow)		1
2	1567248-3524	(Quick release frames 90° medium, pair, royal red)		1
2	1567248-5969	(Quick release frames 90° medium, pair, royal blue)		1
3	1567249-0122	(Quick release frames 90° long, pair, golden beach)	01.01.2013 → 31.12.2014	1
3	1567249-0184	(Quick release frames 90° long, pair, mercury blue)	01.01.2015 →	1
3	1567249-0185	(Quick release frames 90° long, pair, dynamite orange)	01.01.2015 →	1
3	1567249-0410	(Quick release frames 90° long, pair, polished)		1
3	1567249-0411	(Quick release frames 90° long, pair, black matt)		1
3	1567249-0445	(Quick release frames 90° long, pair, ivory white)		1
3	1567249-0451	(Quick release frames 90° long, pair, flashy yellow)		1
3	1567249-3524	(Quick release frames 90° long, pair, royal red)		1
3	1567249-5969	(Quick release frames 90° long, pair, royal blue)		1

(Frame Aluminium 90° quick release)

4	1567250	(Kit coupling female for quick release frames, complete, pair)	1
5	1567251	(Fixation kit seat module, coupling female for quick release frames, pair)	1
6	1567252	(Spring for quick release frames, pair)	1
7	1567320	(Sleeve for quick release frames, pair)	1
8	1567321	(Coupling female for quick release frames, pair)	1
9	1567322	(Levers complete quick release frames, pair)	1
10	1529372	RAMMEBESKYTTER FRONT KSL	1

(Axle tube Aluminium)

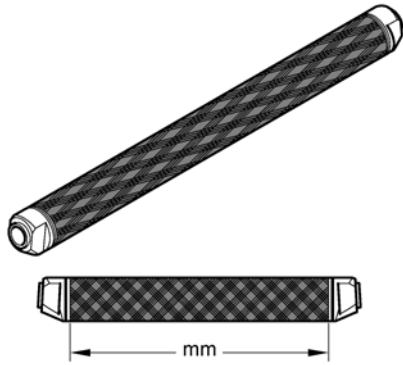


	In combination with:			SB34	SB36	SB38	SB40	SB42	SB44	SB46
0°	✓	✓	✓	1	2	3	4	5	6	7
3°	✓	✗	✓	9	10	11	12	13	14	15
	✗	✓	✓	10	11	12	13	14	15	16
6°	✓	✗	✓	18	19	20	21	22	23	24
	✗	✓	✓	19	20	21	22	23	24	25

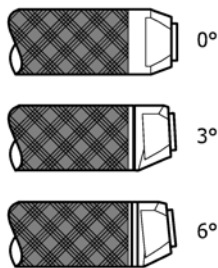
	In combination with:				SB34	SB36	SB38	SB40	SB42	SB44	SB46
0°	✓	✓	0°/Vario	✓	1	2	3	4	5	6	7
	✓	✗	3°	✓	1	2	3	4	5	6	7
	✗	✓	3°	✓	2	3	4	5	6	7	8
3°	✓	✗	0°/3°/Vario	✓	9	10	11	12	13	14	15
	✗	✓	0°/3°/Vario	✓	10	11	12	13	14	15	16
	✓	✗	6°	✓	10	11	12	13	14	15	16
	✗	✓	6°	✓	11	12	13	14	15	16	17
	✓	✗	3°/6°	✓	18	19	20	21	22	23	24
6°	✗	✓	3°/6°	✓	19	20	21	22	23	24	25

1	1545827	(Axle tube Aluminium 0° complete, 318mm)	1
2	1545828	(Axle tube Aluminium 0° complete, 338mm)	1
3	1545829	(Axle tube Aluminium 0° complete, 358mm)	1
4	1545830	(Axle tube Aluminium 0° complete, 378mm)	1
5	1545831	(Axle tube Aluminium 0° complete, 398mm)	1
6	1545832	(Axle tube Aluminium 0° complete, 418mm)	1
7	1545833	(Axle tube Aluminium 0° complete, 438mm)	1
8	1545834	(Axle tube Aluminium 0° complete, 458mm)	1
9	1545836	(Axle tube Aluminium 3° complete, 324mm)	1
10	1545837	(Axle tube Aluminium 3° complete, 344mm)	1
11	1545838	(Axle tube Aluminium 3° complete, 364mm)	1
12	1545839	(Axle tube Aluminium 3° complete, 384mm)	1
13	1545840	AKSLINGSRØR ALU 404mm/3° KOMPLETT	1
14	1545841	(Axle tube Aluminium 3° complete, 424mm)	1
15	1545842	(Axle tube Aluminium 3° complete, 444mm)	1
16	1545843	(Axle tube Aluminium 3° complete, 464mm)	1
17	1545844	(Axle tube Aluminium 3° complete, 484mm)	1
18	1545846	(Axle tube Aluminium 6° complete, 354mm)	1
19	1545847	(Axle tube Aluminium 6° complete, 374mm)	1
20	1545848	(Axle tube Aluminium 6° complete, 394mm)	1
21	1545849	(Axle tube Aluminium 6° complete, 414mm)	1
22	1545850	(Axle tube Aluminium 6° complete, 434mm)	1
23	1545851	(Axle tube Aluminium 6° complete, 454mm)	1
24	1545852	(Axle tube Aluminium 6° complete, 474mm)	1
25	1545853	(Axle tube Aluminium 6° complete, 494mm)	1

(Axle tube Carbon)



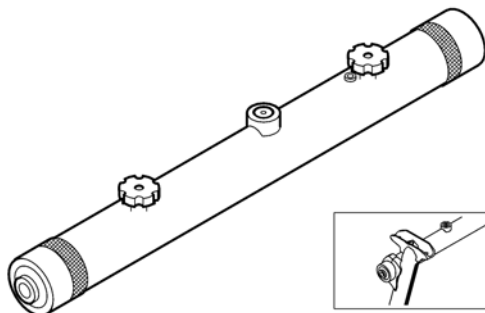
	In combination with:			SB34	SB36	SB38	SB40	SB42	SB44	SB46
0°	✓	✓		1	2	3	4	5	6	7
3°	✓	✗		9	10	11	12	13	14	15
	✗	✓		10	11	12	13	14	15	16
6°	✓	✗		18	19	20	21	22	23	24
	✗	✓		19	20	21	22	23	24	25


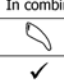



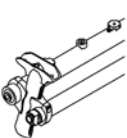
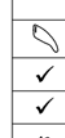


	In combination with:				SB34	SB36	SB38	SB40	SB42	SB44	SB46
0°	✓	✓	0°/Vario		1	2	3	4	5	6	7
	✓	✗	3°		1	2	3	4	5	6	7
	✗	✓	3°		2	3	4	5	6	7	8
3°	✓	✗	0°/3°/Vario		9	10	11	12	13	14	15
	✗	✓	0°/3°/Vario		10	11	12	13	14	15	16
	✓	✗	6°		10	11	12	13	14	15	16
	✗	✓	6°		11	12	13	14	15	16	17
	✓	✗	3°/6°		18	19	20	21	22	23	24
6°	✗	✓	3°/6°		19	20	21	22	23	24	25

1	1507565	(Axle tube Carbon 0° complete, 318mm)	1
2	1507566	AKSLINGSRØR SB36 M/0G CAMBER KUSCHALL	1
3	1507567	AKSLINGSRØR CARBON K4 SB40 0G.CAMBRING	1
4	1507568	AKSLINGSRØR CARBON K4 SB38 0G.CAMBRING	1
5	1507569	(Axle tube Carbon 0° complete, 398mm)	1
6	1507570	AKSLING KARBON 0GR.KPL SB42 K4 AIRLITE	1
7	1507571	RØR AKSEL KARBON 0 GRADER 438 MM KPL	1
8	1507572	(Axle tube Carbon 0° complete, 458mm)	1
9	1507575	(Axle tube Carbon 3° complete, 324mm)	1
10	1507576	KARBON AKSLING K4 SB 36 3 CAMBRING	1
11	1507577	KARBON AKSLING K4 SB 38 3 CAMBRING	1
12	1507578	KARBON AKSLING K4 SB 40 3 CAMBRING	1
13	1507579	AKSLING KARBON FUSION /AIRLITE SB 42 3GRADER	1
14	1507580	KARBON AKSLING K4 SB 44 3 CAMBRING	1
15	1507581	KARBON AKSLING K4 SB 46 3 CAMBRING	1
16	1507582	(Axle tube Carbon 3° complete, 464mm)	1
17	1507583	(Axle tube Carbon 3° complete, 484mm)	1
18	1507585	(Axle tube Carbon 6° complete, 354mm)	1
19	1507586	KARBON AKSLING K4 6 GR 374 MM	1
20	1507587	KARBON AKSLING K4 6 GR 394 MM	1
21	1507588	KARBON AKSLING K4 6 GR 414 MM	1
22	1507589	(Axle tube Carbon 6° complete, 434mm)	1
23	1507590	(Axle tube Carbon 6° complete, 454mm)	1
24	1507591	KARBON AKSLING K4 474 MM	1
25	1507592	(Axle tube Carbon 6° complete, 494mm)	1

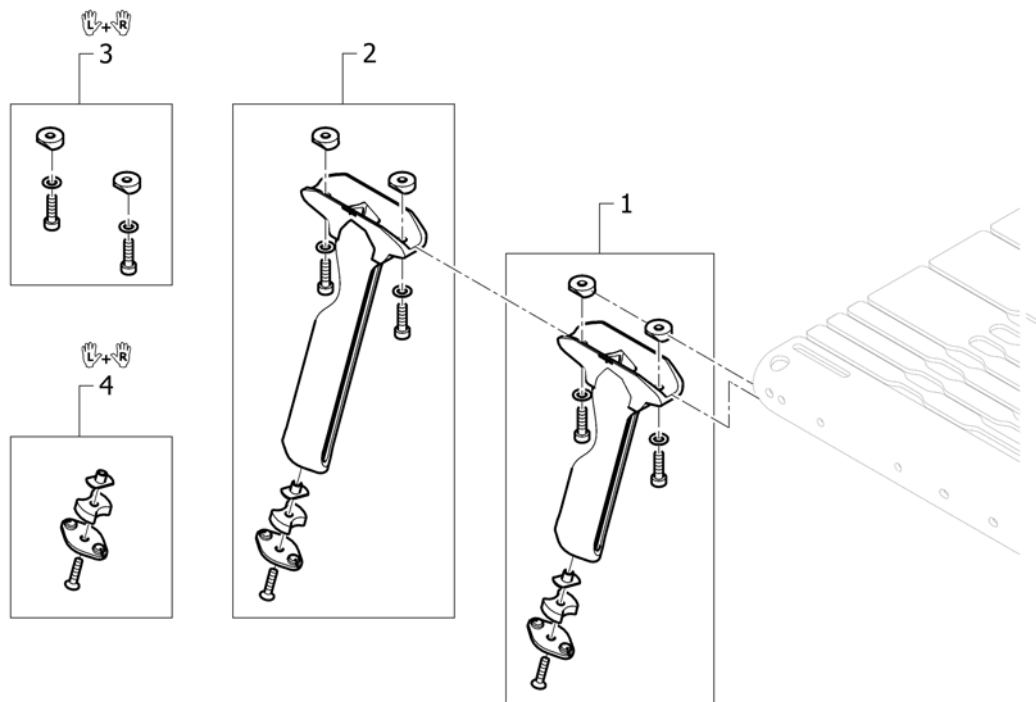
(Vario-Ax)



	In combination with:								
			SB34	SB36	SB38	SB40	SB42	SB44	SB46
✓	✓		1	2	3	4	5	6	7

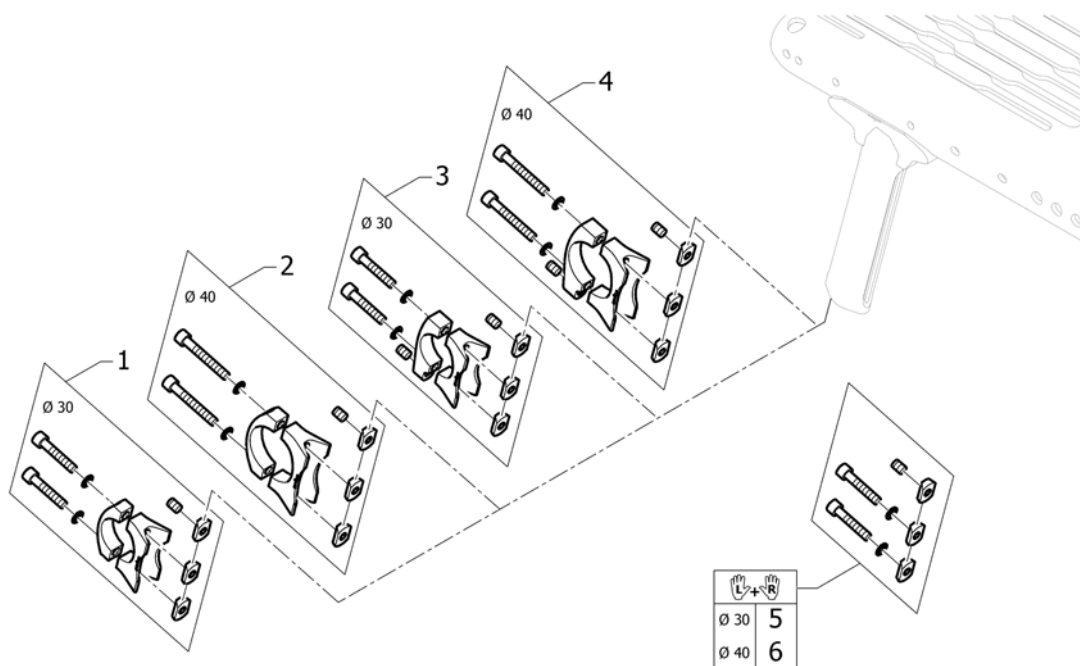
	In combination with:			SB34	SB36	SB38	SB40	SB42	SB44	SB46
				0°/Vario	3°	3°				
✓	✓		0°/Vario	1	2	3	4	5	6	7
✓	✗		3°	1	2	3	4	5	6	7
✗	✓		3°	2	3	4	5	6	7	8

1	1507611	VARIO-AX FOR SB 36 SB 34 HVIS HJULSKJERM	1
2	1507612	VARIO-AX FOR SB 38 SB 36 HVIS HJULSKJERM	1
3	1507613	VARIO-AX 395 mm K4 SB 38 (SB 36 HVIS HJULSKJERM)	1
4	1507615	VARIO-AX 415 mm K4 SB 42 SB 40 M HJULSKJERM	1
5	1507616	VARIO-AX SB42 435MM K-SERIES KUSCHALL	1
6	1507617	VARIO-AX FOR SB 44 KUSCHALL	1
7	1507619	VARIO-AX 475 mm K4 SB 46	1
8	1507620	VARIO-AX 495mm K4 SB 46	1

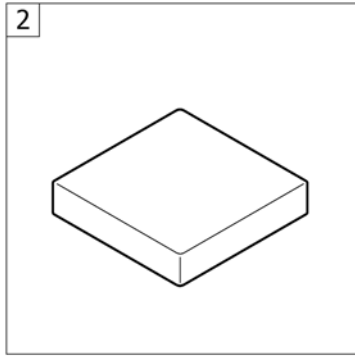
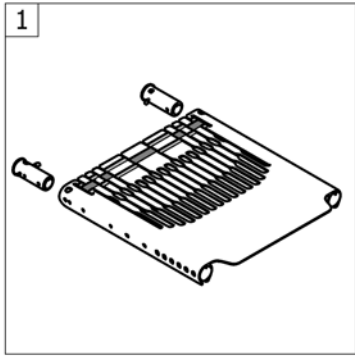


1	1560220	(Vertical brace, short, complete)	2
2	1560221	(Vertical brace, long, complete)	2
3	1560222	(Fixation kit vertical brace, pair)	1
4	1560223	(Vertical brace, plug, pair)	1

(Axle holder)

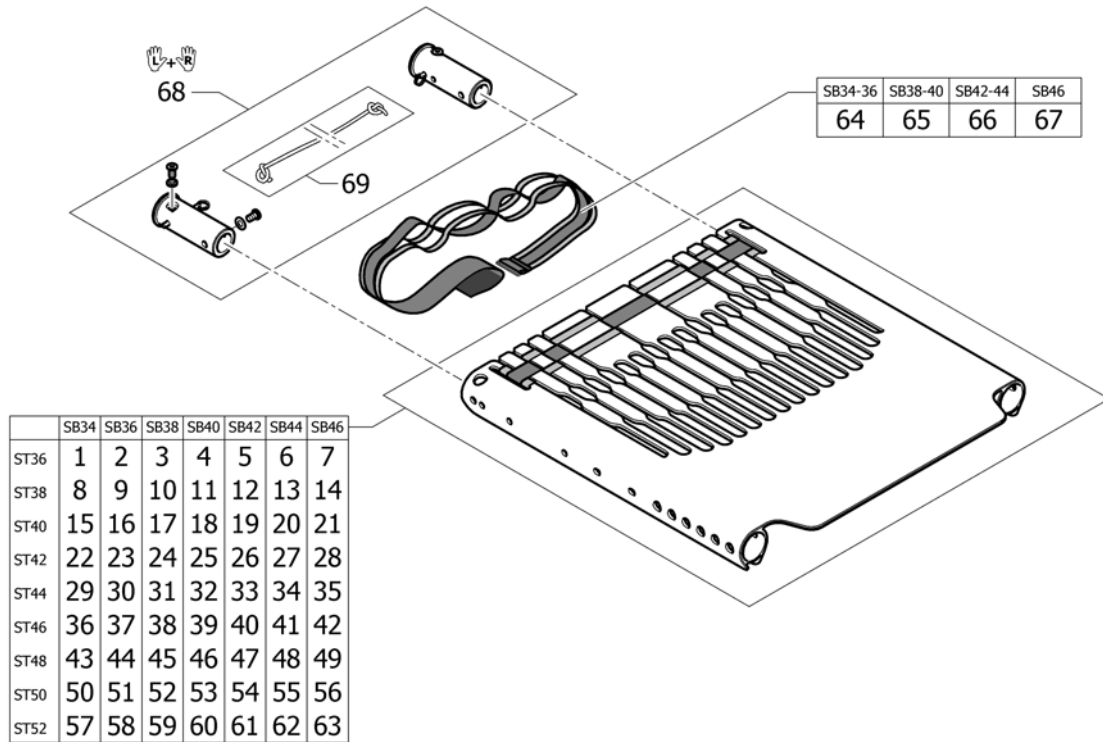


1	1560224	(Axle holder complete Ø30)	2
2	1560225	(Axle holder complete Ø40)	2
3	SP1589948	(Axle holder for Adaptations complete, Ø30) <i>Used for Antitipper or for Transit wheels</i>	2
4	SP1589949	(Axle holder for Adaptations complete, Ø40) <i>Used for Antitipper or for Transit wheels</i>	2
5	1560226	(Fixation kit to axle holder Ø30, pair)	1
6	1560227	(Fixation kit to axle holder Ø40, pair)	1



1	-	(Seat module)	1
2	-	(Seat cushion standard)	1

(Seat module)

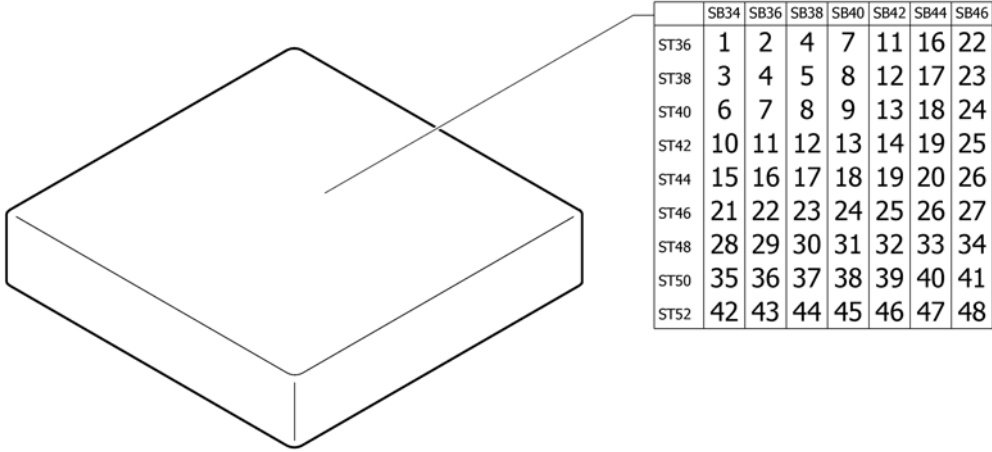


1	1560237	(Seat module SB34 ST36 with tension strap)	1
2	1560246	(Seat module SB36 ST36 with tension strap)	1
3	1560255	(Seat module SB38 ST36 with tension strap)	1
4	1560264	(Seat module SB40 ST36 with tension strap)	1
5	1560273	(Seat module SB42 ST36 with tension strap)	1
6	1560282	(Seat module SB44 ST36 with tension strap)	1
7	1560291	(Seat module SB46 ST36 with tension strap)	1
8	1560238	(Seat module SB34 ST38 with tension strap)	1
9	1560247	(Seat module SB36 ST38 with tension strap)	1
10	1560256	(Seat module SB38 ST38 with tension strap)	1
11	1560265	(Seat module SB40 ST38 with tension strap)	1
12	1560274	(Seat module SB42 ST38 with tension strap)	1
13	1560283	(Seat module SB44 ST38 with tension strap)	1
14	1560292	(Seat module SB46 ST38 with tension strap)	1
15	1560239	(Seat module SB34 ST40 with tension strap)	1
16	1560248	(Seat module SB36 ST40 with tension strap)	1
17	1560257	(Seat module SB38 ST40 with tension strap)	1
18	1560266	(Seat module SB40 ST40 with tension strap)	1
19	1560275	(Seat module SB42 ST40 with tension strap)	1
20	1560284	(Seat module SB44 ST40 with tension strap)	1
21	1560500	(Seat module SB46 ST40 with tension strap)	1
22	1560240	(Seat module SB34 ST42 with tension strap)	1
23	1560249	(Seat module SB36 ST42 with tension strap)	1
24	1560258	(Seat module SB38 ST42 with tension strap)	1
25	1560267	(Seat module SB40 ST42 with tension strap)	1
26	1560276	(Seat module SB42 ST42 with tension strap)	1
27	1560285	(Seat module SB44 ST42 with tension strap)	1
28	1560501	(Seat module SB46 ST42 with tension strap)	1
29	1560241	(Seat module SB34 ST44 with tension strap)	1
30	1560250	(Seat module SB36 ST44 with tension strap)	1
31	1560259	(Seat module SB38 ST44 with tension strap)	1

(Seat module)

32	1560268	(Seat module SB40 ST44 with tension strap)	1
33	1560277	(Seat module SB42 ST44 with tension strap)	1
34	1560286	(Seat module SB44 ST44 with tension strap)	1
35	1560502	(Seat module SB46 ST44 with tension strap)	1
36	1560242	(Seat module SB34 ST46 with tension strap)	1
37	1560251	(Seat module SB36 ST46 with tension strap)	1
38	1560260	(Seat module SB38 ST46 with tension strap)	1
39	1560269	(Seat module SB40 ST46 with tension strap)	1
40	1560278	(Seat module SB42 ST46 with tension strap)	1
41	1560287	(Seat module SB44 ST46 with tension strap)	1
42	1560503	(Seat module SB46 ST46 with tension strap)	1
43	1560243	(Seat module SB34 ST48 with tension strap)	1
44	1560252	(Seat module SB36 ST48 with tension strap)	1
45	1560261	(Seat module SB38 ST48 with tension strap)	1
46	1560270	(Seat module SB40 ST48 with tension strap)	1
47	1560279	(Seat module SB42 ST48 with tension strap)	1
48	1560288	(Seat module SB44 ST48 with tension strap)	1
49	1560504	(Seat module SB46 ST48 with tension strap)	1
50	1560244	(Seat module SB34 ST50 with tension strap)	1
51	1560253	(Seat module SB36 ST50 with tension strap)	1
52	1560262	(Seat module SB38 ST50 with tension strap)	1
53	1560271	(Seat module SB40 ST50 with tension strap)	1
54	1560280	(Seat module SB42 ST50 with tension strap)	1
55	1560289	(Seat module SB44 ST50 with tension strap)	1
56	1560505	(Seat module SB46 ST50 with tension strap)	1
57	1560245	(Seat module SB34 ST52 with tension strap)	1
58	1560254	(Seat module SB36 ST52 with tension strap)	1
59	1560263	(Seat module SB38 ST52 with tension strap)	1
60	1560272	(Seat module SB40 ST52 with tension strap)	1
61	1560281	(Seat module SB42 ST52 with tension strap)	1
62	1560290	(Seat module SB44 ST52 with tension strap)	1
63	1560506	(Seat module SB46 ST52 with tension strap)	1
64	1560525	(Tension strap 740mm for seat module)	1
65	1560526	(Tension strap 840mm for seat module)	1
66	1560527	(Tension strap 940mm for seat module)	1
67	1560528	(Tension strap 1060mm for seat module)	1
68	1560529	(Backrest-Bolt Set, pair)	1
69	1554427	TAU UTLØSERMEKNISME RYGG K4 SERIEN	1

(Seat cushion standard)

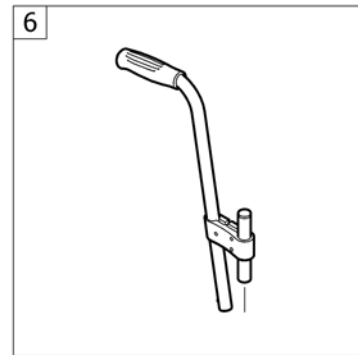
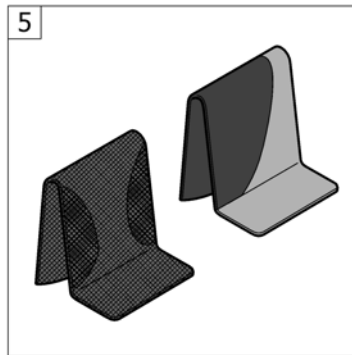
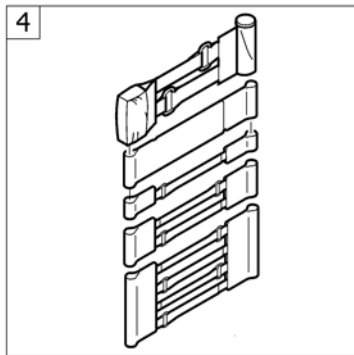
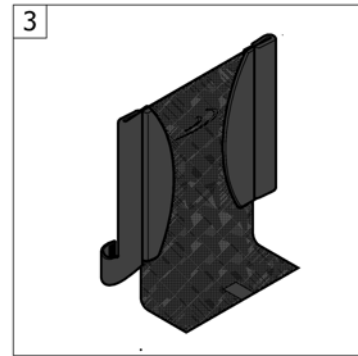
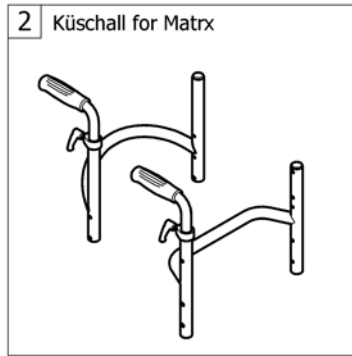
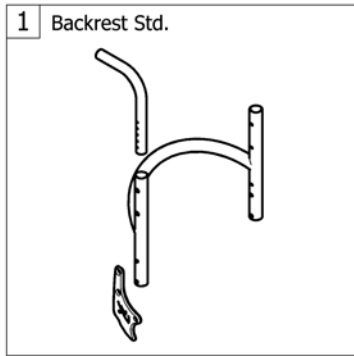


	SB34	SB36	SB38	SB40	SB42	SB44	SB46
ST36	1	2	4	7	11	16	22
ST38	3	4	5	8	12	17	23
ST40	6	7	8	9	13	18	24
ST42	10	11	12	13	14	19	25
ST44	15	16	17	18	19	20	26
ST46	21	22	23	24	25	26	27
ST48	28	29	30	31	32	33	34
ST50	35	36	37	38	39	40	41
ST52	42	43	44	45	46	47	48

1	1556326	SETE PUTE 34x36X5 SVART KUSCHALL	1
2	1556335	SETEPUTE 36X36X5 KUSCHALL	1
3	1556327	(Seat cushion 340mm x 380mm)	1
4	1556336	PUTE SETE SB 36 SD38 KUSCHALL	1
5	1556344	SETEPUTE 380mm x 380mm KUSCHALL	1
6	1556328	(Seat cushion 340mm x 400mm)	1
7	1556337	SETEPUTE 360mm x 400mm KUSCHALL	1
8	1556345	SETEPUTE STD 380mm x 400mm	1
9	1556352	SETEPUTE 40/40/5 SORT KUSCHALL	1
10	1556329	SETEPUTE 34X42X5 KUSCHALL	1
11	1556338	(Seat cushion 360mm x 420mm)	1
12	1556346	SETEPUTE 42/38/5 SORT KUSCHALL	1
13	1556353	SETEPUTE 42/40/5 SORT KUSCHALL	1
14	1556359	SETEPUTE 420mm x 420mm KUSCHALL	1
15	1556330	(Seat cushion 340mm x 440mm)	1
16	1556339	(Seat cushion 360mm x 440mm)	1
17	1556347	(Seat cushion 380mm x 440mm)	1
18	1556354	SETEPUTE 40X44X5 SORT KUSCHALL	1
19	1556360	(Seat cushion 420mm x 440mm)	1
20	1556365	SETEPUTE 44/44/5 SORT KUSCHALL	1
21	1556331	(Seat cushion 340mm x 460mm)	1
22	1556340	(Seat cushion 360mm x 460mm)	1
23	1556348	(Seat cushion 380mm x 460mm)	1
24	1556355	SETEPUTE 400mm x 460mm KUSCHALL	1
25	1556361	SETEPUTE 420mm x 460mm KUSCHALL	1
26	1556366	SETEPUTE 46/44/5 SORT KUSCHALL	1
27	1556370	SETEPUTE 46/46/5 SORT KUSCHALL	1
28	1556332	(Seat cushion 340mm x 480mm)	1
29	1556341	(Seat cushion 360mm x 480mm)	1
30	1556349	(Seat cushion 380mm x 480mm)	1
31	1556356	(Seat cushion 400mm x 480mm)	1

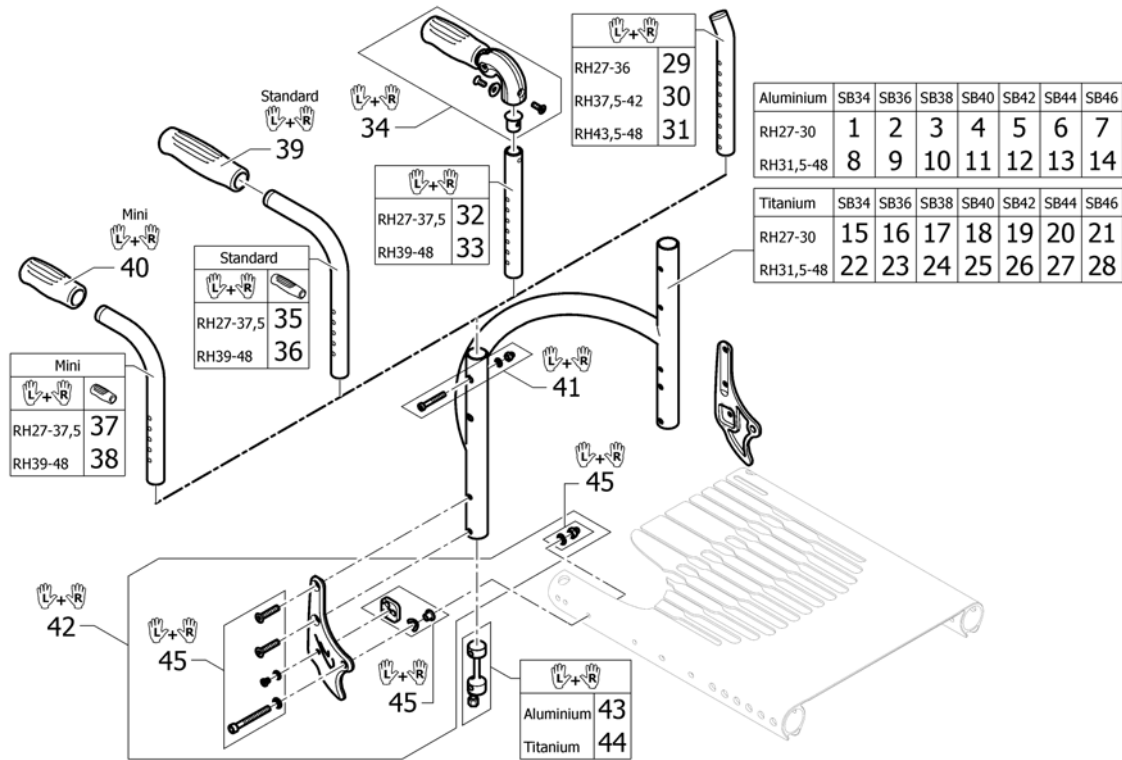
32	1556362	(Seat cushion 420mm x 480mm)	1
33	1556367	SETEPUTE 44/48/5 SORT KUSCHALL	1
34	1556371	(Seat cushion 460mm x 480mm)	1
35	1556333	(Seat cushion 340mm x 500mm)	1
36	1556342	(Seat cushion 360mm x 500mm)	1
37	1556350	(Seat cushion 380mm x 500mm)	1
38	1556357	SETEPUTE 40X50 KUSCHALL	1
39	1556363	(Seat cushion 420mm x 500mm)	1
40	1556368	(Seat cushion 440mm x 500mm)	1
41	1556372	(Seat cushion 460mm x 500mm)	1
42	1556334	(Seat cushion 340mm x 520mm)	1
43	1556343	(Seat cushion 360mm x 520mm)	1
44	1556351	(Seat cushion 380mm x 520mm)	1
45	1556358	(Seat cushion 400mm x 520mm)	1
46	1556364	(Seat cushion 420mm x 520mm)	1
47	1556369	(Seat cushion 440mm x 520mm)	1
48	1556373	(Seat cushion 460mm x 520mm)	1

(BACKREST)



1	-	(Backrest standard)	1
2	-	(Küschall backrest parts for Matrix backs)	1
3	-	(Backrest cover light)	1
4	-	(Bands to adjustable backrest)	1
5	-	(Cover to adjustable backrest)	1
6	-	(Push handles, height adjustable, rear set)	1

(Backrest standard)

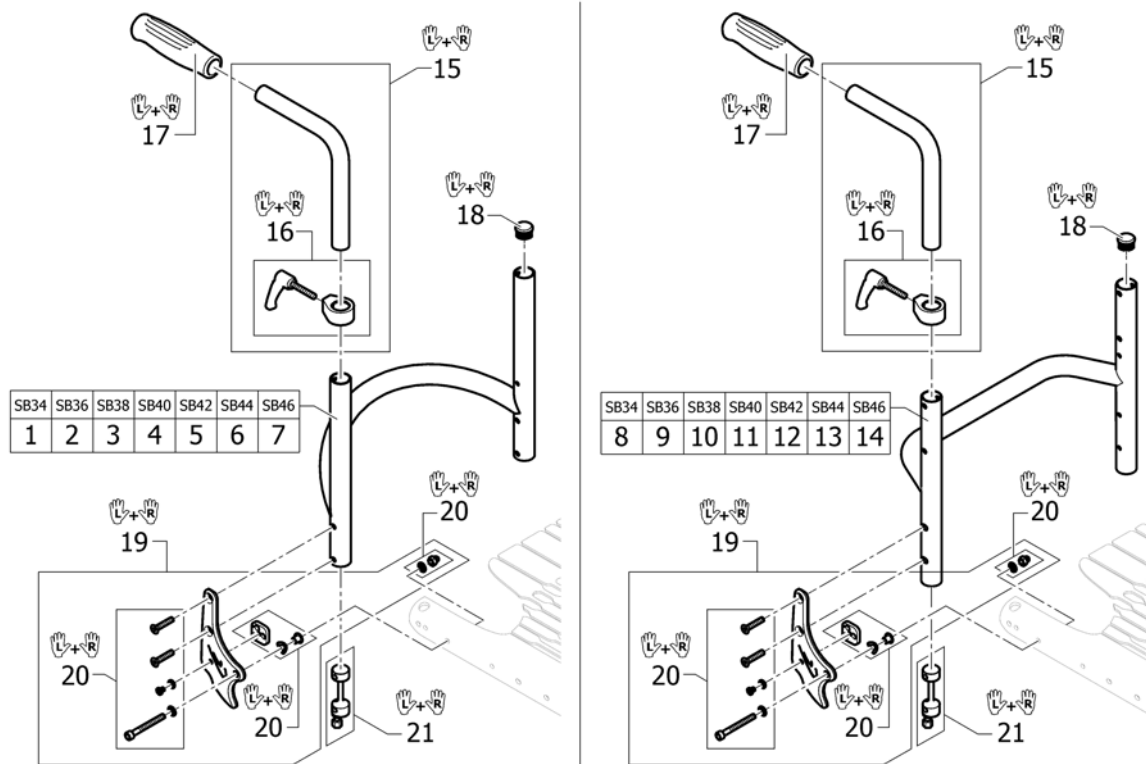


1	1546694	(Backrest tube Alu SB34 short)	1
2	1546695	(Backrest tube Alu SB36 short)	1
3	1546696	(Backrest tube Alu SB38 short)	1
4	1546697	(Backrest tube Alu SB40 short)	1
5	1546698	(Backrest tube Alu SB42 short)	1
6	1546699	(Backrest tube Alu SB44 short)	1
7	1546700	(Backrest tube Alu SB46 short)	1
8	1546702	(Backrest tube Alu SB34 Long)	1
9	1546739	(Backrest tube Alu SB36 Long)	1
10	1546740	(Backrest tube Alu SB38 Long)	1
11	1546741	(Backrest tube Alu SB40 Long)	1
12	1546806	(Backrest tube Alu SB42 Long)	1
13	1546807	(Backrest tube Alu SB44 Long)	1
14	1546808	(Backrest tube Alu SB46 Long)	1
15	1546810	(Backrest tube Titan SB34 short)	1
16	1546811	(Backrest tube Titan SB36 short)	1
17	1546812	(Backrest tube Titan SB38 short)	1
18	1546813	(Backrest tube Titan SB40 short)	1
19	1546814	(Backrest tube Titan SB42 short)	1
20	1546815	(Backrest tube Titan SB44 short)	1
21	1546816	(Backrest tube Titan SB46 short)	1
22	1546818	(Backrest tube Titan SB34 Long)	1
23	1546819	(Backrest tube Titan SB36 Long)	1
24	1546820	(Backrest tube Titan SB38 Long)	1
25	1546821	(Backrest tube Titan SB40 Long)	1
26	1546822	(Backrest tube Titan SB42 Long)	1
27	1546823	(Backrest tube Titan SB44 Long)	1
28	1546824	(Backrest tube Titan SB46 Long)	1
29	1546913	(Telescopic back tube standard short, pair)	1
30	1546914	(Telescopic back tube standard medium, pair)	1
31	1546946	(Telescopic back tube standard long, pair)	1

(Backrest standard)

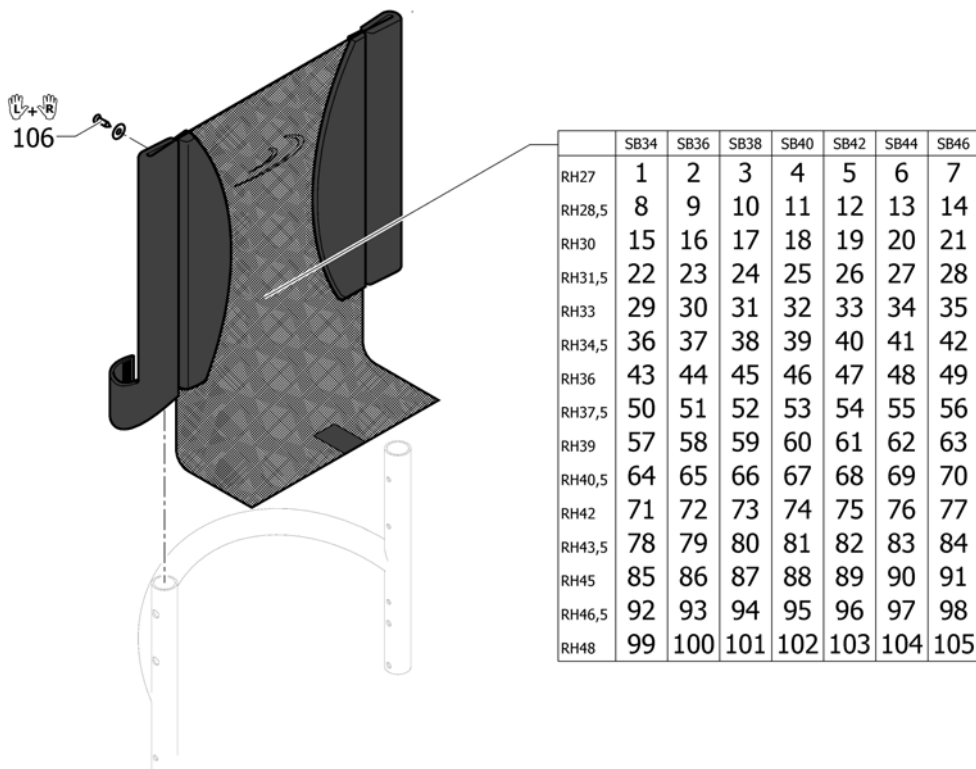
32	1524956	TELESKOPRØR KORT PAR FOR FOLDB.KJØREHÅNDTAK K 4		1
33	1525121	TELESKOPRØR MED. PAR FOR FOLDB.KJØREHÅNDTAK K 4		1
34	1507733	KJØREHÅNDTAK FOLDBARE KUSCHALL CO PAR		1
35	1525122	RYGG RØR KJØREH PAR KORT K SERIE		1
36	1525123	RYGG RØR KJØREH PAR STANDARD LANG K-SERIE		1
37	1525124	RYGG RØR MINI KORT PAR K-SERIES		1
38	1525125	RYGG RØR MINI LANG PAR K-SERIES		1
39	1507734	KJØREHÅNDTAK SVART PLAST PAR KUSCHALL		1
40	1525126	KJØREHÅNDTAK MINI SORT PLAST KUSCHALL		1
41	1546947	SKRUER TIL RYGGRØR K-SERIEN		1
42	1560881-0001	(Backrest joint plate, pair, chrome)	01.01.2015 →	1
42	1560881-0004	(Backrest joint plate, pair, black)	01.01.2015 →	1
42	1560881-0013	(Backrest joint plate, pair, dark grey)	14.05.2012 → 31.12.2014	1
42	1560881-0182	(Backrest joint plate, pair, champagne)	01.01.2015 →	1
42	1560881-0400	(Backrest joint plate, pair, techno-anthrazit)	01.01.2015 →	1
42	1560881-0440	(Backrest joint plate, pair, comet red)	01.01.2015 →	1
42	1560881-0441	(Backrest joint plate, pair, arctic blue)	01.01.2015 →	1
43	1546948	(Sleeves for backrest tube alu, pair complete)		1
44	1546949	(Sleeves for backrest tube Titan, pair complete)		1
45	1560913	(Fixation kit to backrest joint)		1

(Küschall backrest parts for Matrix backs)



1	1560914	(Backrest SB34 for fixed backrest)		1
2	1561012	(Backrest SB36 for fixed backrest)		1
3	1561013	(Backrest SB38 for fixed backrest)		1
4	1561014	(Backrest SB40 for fixed backrest)		1
5	1561015	(Backrest SB42 for fixed backrest)		1
6	1561016	(Backrest SB44 for fixed backrest)		1
7	1561017	(Backrest SB46 for fixed backrest)		1
8	1582698	(Straight bar backrest tube Alu SB34 Long)	01.01.2016 →	1
9	1582699	(Straight bar backrest tube Alu SB36 Long)	01.01.2016 →	1
10	1582700	(Straight bar backrest tube Alu SB38 Long)	01.01.2016 →	1
11	1582701	(Straight bar backrest tube Alu SB40 Long)	01.01.2016 →	1
12	1582702	(Straight bar backrest tube Alu SB42 Long)	01.01.2016 →	1
13	1582703	(Straight bar backrest tube Alu SB44 Long)	01.01.2016 →	1
14	1582704	(Straight bar backrest tube Alu SB46 Long)	01.01.2016 →	1
15	1438203	KJØREHÅNDTAK INTERGRERT KORT 20CM KÜSCHALL PAR		1
16	1549985	JUSTERING HREG PAR KJØREHÅNDTAK KUSCHALL .		1
17	1507734	KJØREHÅNDTAK SVART PLAST PAR KUSCHALL		1
18	1561018	ENDEPLUGG RYGGRØR KUSCHALL Ø24MM		1
19	1560881-0001	(Backrest joint plate, pair, chrome)	01.01.2015 →	1
19	1560881-0004	(Backrest joint plate, pair, black)	01.01.2015 →	1
19	1560881-0013	(Backrest joint plate, pair, dark grey)	14.05.2012 → 31.12.2014	1
19	1560881-0182	(Backrest joint plate, pair, champagne)	01.01.2015 →	1
19	1560881-0400	(Backrest joint plate, pair, techno-anthrazit)	01.01.2015 →	1
19	1560881-0440	(Backrest joint plate, pair, comet red)	01.01.2015 →	1
19	1560881-0441	(Backrest joint plate, pair, arctic blue)	01.01.2015 →	1
20	1560913	(Fixation kit to backrest joint)		1
21	1546948	(Sleeves for backrest tube alu, pair complete)		1

(Backrest cover light)



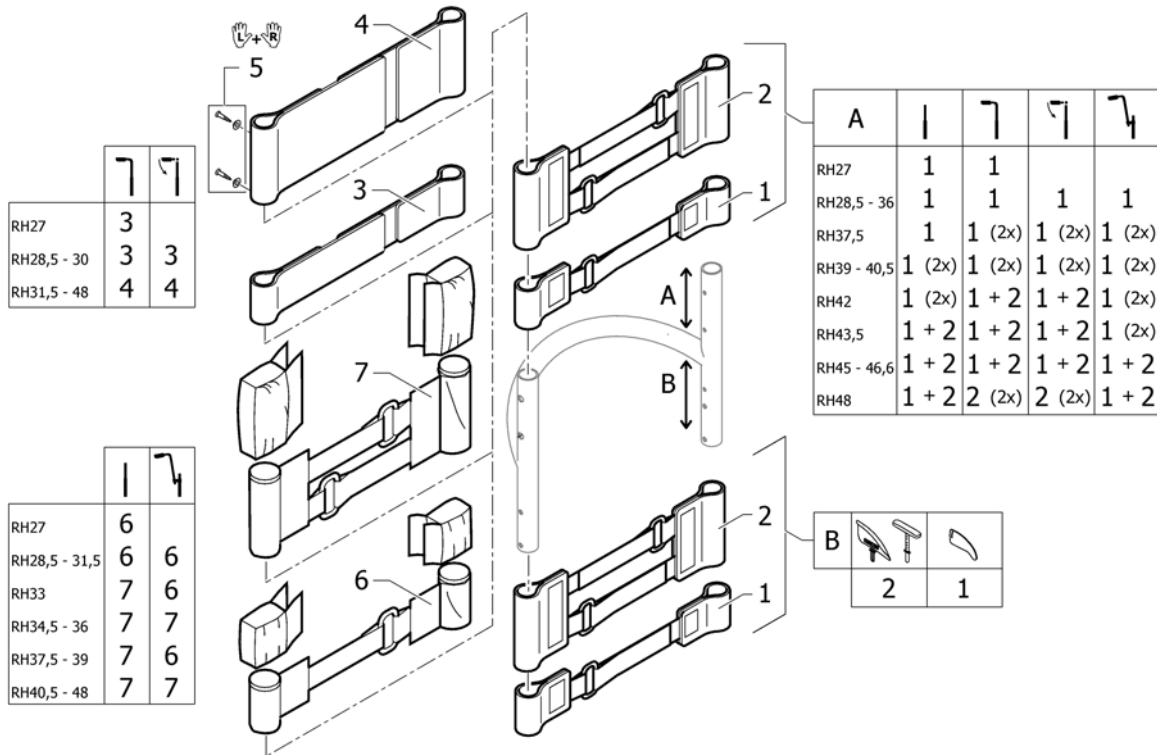
1	1546952	(Backrest cover light SB34 RH27)	1
2	1546992	(Backrest cover light SB36 RH27)	1
3	1547007	(Backrest cover light SB38 RH27)	1
4	1547033	RYGGTREKK SB40 RH27 EKSTRA LETT K4G3	1
5	1547093	(Backrest cover light SB42 RH27)	1
6	1547108	(Backrest cover light SB44 RH27)	1
7	1547123	(Backrest cover light SB46 RH27)	1
8	1546953	(Backrest cover light SB34 RH28,5)	1
9	1546993	(Backrest cover light SB36 RH28,5)	1
10	1547008	(Backrest cover light SB38 RH28,5)	1
11	1547034	(Backrest cover light SB40 RH28,5)	1
12	1547094	(Backrest cover light SB42 RH28,5)	1
13	1547109	(Backrest cover light SB44 RH28,5)	1
14	1547124	(Backrest cover light SB46 RH28,5)	1
15	1546954	(Backrest cover light SB34 RH30)	1
16	1546994	(Backrest cover light SB36 RH30)	1
17	1547009	(Backrest cover light SB38 RH30)	1
18	1547035	(Backrest cover light SB40 RH30)	1
19	1547095	(Backrest cover light SB42 RH30)	1
20	1547110	(Backrest cover light SB44 RH30)	1
21	1547125	(Backrest cover light SB46 RH30)	1
22	1546955	(Backrest cover light SB34 RH31,5)	1
23	1546995	(Backrest cover light SB36 RH31,5)	1
24	1547010	(Backrest cover light SB38 RH31,5)	1
25	1547036	(Backrest cover light SB40 RH31,5)	1
26	1547096	(Backrest cover light SB42 RH31,5)	1
27	1547111	(Backrest cover light SB44 RH31,5)	1
28	1547126	(Backrest cover light SB46 RH31,5)	1
29	1546956	(Backrest cover light SB34 RH33)	1
30	1546996	(Backrest cover light SB36 RH33)	1
31	1547011	(Backrest cover light SB38 RH33)	1

32	1547037	(Backrest cover light SB40 RH33)	1
33	1547097	(Backrest cover light SB42 RH33)	1
34	1547112	(Backrest cover light SB44 RH33)	1
35	1547127	(Backrest cover light SB46 RH33)	1
36	1546957	(Backrest cover light SB34 RH34,5)	1
37	1546997	(Backrest cover light SB36 RH34,5)	1
38	1547012	(Backrest cover light SB38 RH34,5)	1
39	1547048	(Backrest cover light SB40 RH34,5)	1
40	1547098	(Backrest cover light SB42 RH34,5)	1
41	1547113	(Backrest cover light SB44 RH34,5)	1
42	1547128	(Backrest cover light SB46 RH34,5)	1
43	1546958	(Backrest cover light SB34 RH36)	1
44	1546998	(Backrest cover light SB36 RH36)	1
45	1547013	(Backrest cover light SB38 RH36)	1
46	1547049	(Backrest cover light SB40 RH36)	1
47	1547099	(Backrest cover light SB42 RH36)	1
48	1547114	(Backrest cover light SB44 RH36)	1
49	1547129	(Backrest cover light SB46 RH36)	1
50	1546959	(Backrest cover light SB34 RH37,5)	1
51	1546999	(Backrest cover light SB36 RH37,5)	1
52	1547014	(Backrest cover light SB38 RH37,5)	1
53	1547050	(Backrest cover light SB40 RH37,5)	1
54	1547100	(Backrest cover light SB42 RH37,5)	1
55	1547115	(Backrest cover light SB44 RH37,5)	1
56	1547130	(Backrest cover light SB46 RH37,5)	1
57	1546960	(Backrest cover light SB34 RH39)	1
58	1547000	(Backrest cover light SB36 RH39)	1
59	1547015	(Backrest cover light SB38 RH39)	1
60	1547051	(Backrest cover light SB40 RH39)	1
61	1547101	(Backrest cover light SB42 RH39)	1
62	1547116	(Backrest cover light SB44 RH39)	1
63	1547131	(Backrest cover light SB46 RH39)	1
64	1546961	(Backrest cover light SB34 RH40,5)	1
65	1547001	(Backrest cover light SB36 RH40,5)	1
66	1547016	(Backrest cover light SB38 RH40,5)	1
67	1547052	(Backrest cover light SB40 RH40,5)	1
68	1547102	(Backrest cover light SB42 RH40,5)	1
69	1547117	(Backrest cover light SB44 RH40,5)	1
70	1547132	(Backrest cover light SB46 RH40,5)	1
71	1546962	(Backrest cover light SB34 RH42)	1
72	1547002	(Backrest cover light SB36 RH42)	1
73	1547028	(Backrest cover light SB38 RH42)	1
74	1547053	(Backrest cover light SB40 RH42)	1
75	1547103	(Backrest cover light SB42 RH42)	1
76	1547118	(Backrest cover light SB44 RH42)	1
77	1547133	(Backrest cover light SB46 RH42)	1
78	1546988	(Backrest cover light SB34 RH43,5)	1
79	1547003	(Backrest cover light SB36 RH43,5)	1
80	1547029	(Backrest cover light SB38 RH43,5)	1
81	1547054	(Backrest cover light SB40 RH43,5)	1
82	1547104	(Backrest cover light SB42 RH43,5)	1
83	1547119	RYGGOVERDRAG SB44 RH43,5 EXTRA LETT K4G3	1
84	1547134	(Backrest cover light SB46 RH43,5)	1
85	1546989	(Backrest cover light SB34 RH45)	1
86	1547004	(Backrest cover light SB36 RH45)	1

(Backrest cover light)

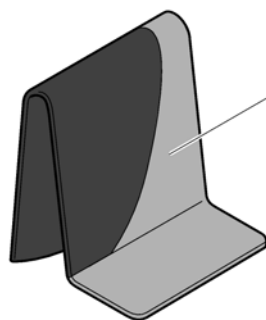
87	1547030	(Backrest cover light SB38 RH45)	1
88	1547055	(Backrest cover light SB40 RH45)	1
89	1547105	(Backrest cover light SB42 RH45)	1
90	1547120	(Backrest cover light SB44 RH45)	1
91	1547135	(Backrest cover light SB46 RH45)	1
92	1546990	(Backrest cover light SB34 RH46,5)	1
93	1547005	(Backrest cover light SB36 RH46,5)	1
94	1547031	(Backrest cover light SB38 RH46,5)	1
95	1547091	(Backrest cover light SB40 RH46,5)	1
96	1547106	(Backrest cover light SB42 RH46,5)	1
97	1547121	RYGGOVERDAG SB44 RH46,5 EXTRA LETT K4GS	1
98	1547136	(Backrest cover light SB46 RH46,5)	1
99	1546991	(Backrest cover light SB34 RH48)	1
100	1547006	(Backrest cover light SB36 RH48)	1
101	1547032	(Backrest cover light SB38 RH48)	1
102	1547092	(Backrest cover light SB40 RH48)	1
103	1547107	(Backrest cover light SB42 RH48)	1
104	1547122	(Backrest cover light SB44 RH48)	1
105	1547137	(Backrest cover light SB46 RH48)	1
106	1432083	FESTEKIT FOR RYGGBÄND CHAMPION KÜSCHALL	1

(Bands to adjustable backrest)

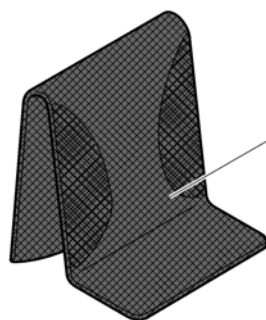


1	1513167	VELCROBÄND JUSTERBART M 1 STROPP K4 2008-MOD	1
2	1513168	VELCROBÄND JUSTERBART M 2 STROPP COMPACT-2004M	1
3	1513170	VELCROREM 2-DELT 5 CM PAR	1
4	1513171	VELCROBÄND TOPP 10 CM 2-DELT ALLE 2008->	1
5	1432083	FESTEKIT FOR RYGGBÄND CHAMPION KÜSCHALL	1
6	1513172	VELCROBÄND ENDESTYKKE 5 CM	1
7	1513173	VELCROBÄND ENDESTYKKE 10 CM	1

(Cover to adjustable backrest)

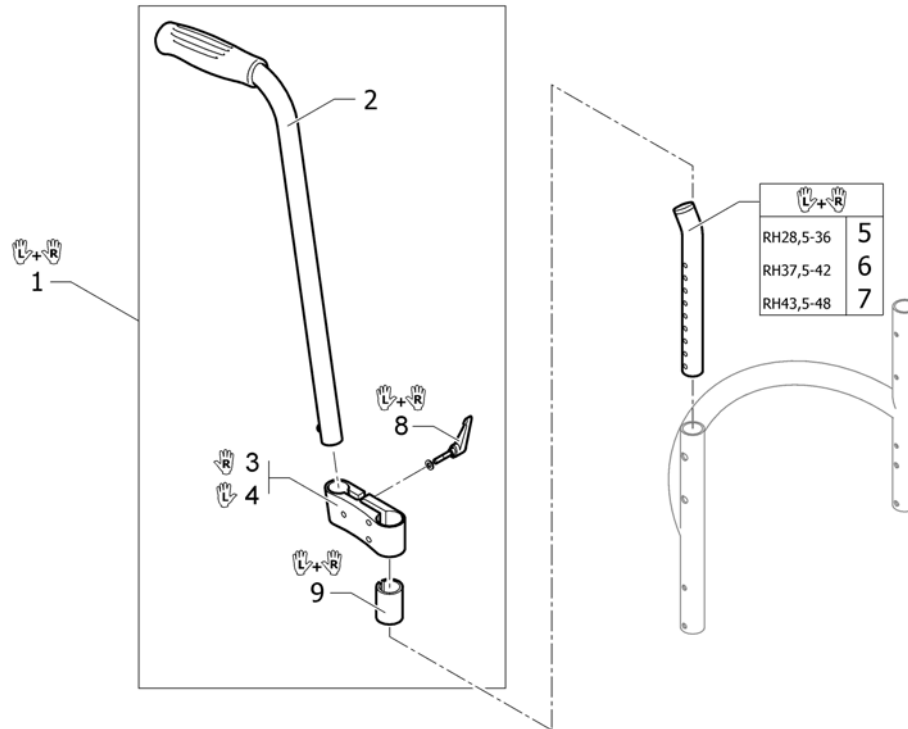


Std. (black / grey)	SB34	SB36-38	SB40-42	SB44-46
RH27-33	1	2	3	4
RH34,5-40,5	5	6	7	8
RH42-48	9	10	11	12



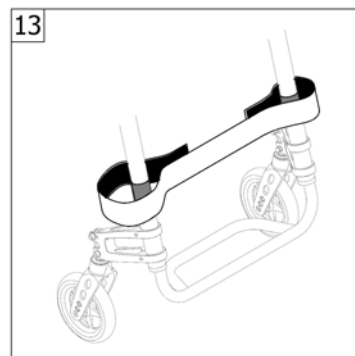
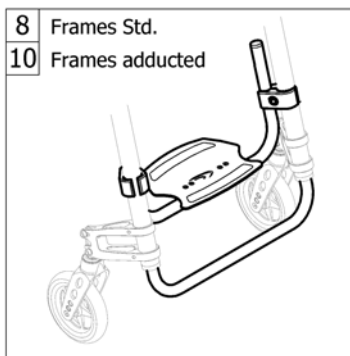
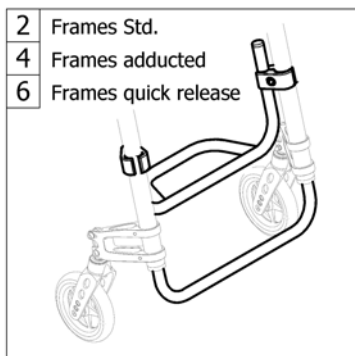
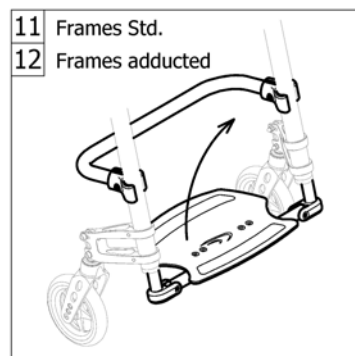
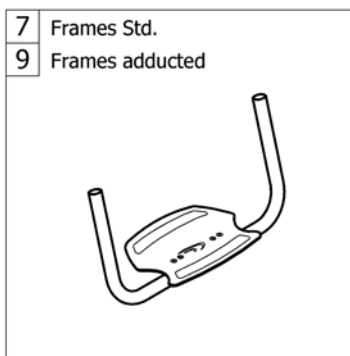
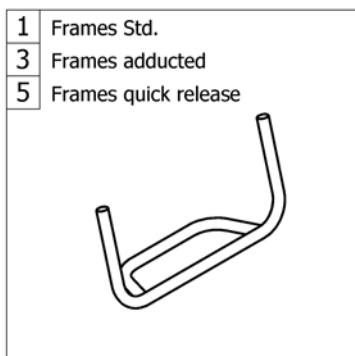
AeroBack	SB34	SB36-38	SB40-42	SB44-46
RH27-33	13	14	15	16
RH34,5-40,5	17	18	19	20
RH42-48	21	22	23	24

1	1547153	(Cover black and grey to adjustable backrest, SB32-34, short)	1
2	1547154	(Cover black and grey to adjustable backrest, SB36-38, short)	1
3	1547155	(Cover black and grey to adjustable backrest, SB40-42, short)	1
4	1547156	(Cover black and grey to adjustable backrest, SB44-46, short)	1
5	1547158	(Cover black and grey to adjustable backrest, SB32-34, medium)	1
6	1547159	(Cover black and grey to adjustable backrest, SB36-38, medium)	1
7	1547160	(Cover black and grey to adjustable backrest, SB40-42, medium)	1
8	1547161	(Cover black and grey to adjustable backrest, SB44-46, medium)	1
9	1547163	(Cover black and grey to adjustable backrest, SB32-34, long)	1
10	1547164	(Cover black and grey to adjustable backrest, SB36-38, long)	1
11	1547165	RYGGOVERDRAG SB40-42 LANG SORT/GRÅ	1
12	1547166	(Cover black and grey to adjustable backrest, SB44-46, long)	1
13	1512156	(Cover 'Aero' to adjustable backrest, SB32-34, short)	1
14	1512157	(Cover 'Aero' to adjustable backrest, SB36-38, short)	1
15	1512158	RYGGTREKK SB40-42 KORT AEROBACK	1
16	1512159	(Cover 'Aero' to adjustable backrest, SB44-46, short)	1
17	1512161	RYGGTREKK SB32-34 MEDIUM AEROBACK KUSCHALL	1
18	1512162	RYGGTREKK SB36-38 MEDIUM AEROBACK KUSCHALL	1
19	1512163	RYGGTREKK SB40-42 MEDIUM AEROBACK KUSCHALL	1
20	1512164	RYGGTREKK SB44-46 MEDIUM AEROBACK KUSCHALL	1
21	1512166	RYGGTREKK SB 32-34 REG RYGG AERO LANG	1
22	1512167	RYGGTREKK AEROBACK SB36-38 LANG VELCRO RYGG	1
23	1512168	RYGGTREKK SB40-42 LANG AEROBACK CHAMPION-2008	1
24	1512169	RYGGTREKK SB44-46 LANG AEROBACK KUSCHALL	1

(Push handles, height adjustable, rear set)

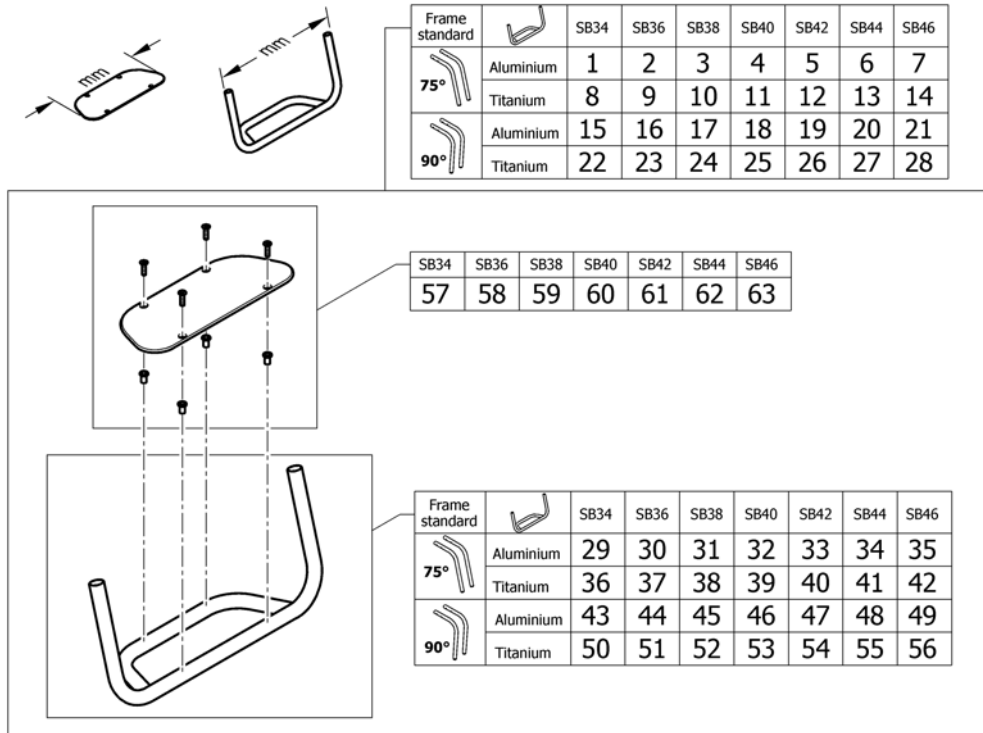
1	1517876	KJØREHÅNDTAK KOMPL PAR FESTE PÅ RYGGALLE	1
2	1438938	BAKENFORLIG KJØREH KPL UTEN FESTE KUSCHALL	2
3	1438939	FESTE BAKENFORLIG KJØREH HØYRE ALLE STOLER	1
4	1438940	FESTE BAKENFORLIG KJØREH VENSTRE ALLE STOLER	1
5	1546913	(Telescopic back tube standard short, pair)	1
6	1546914	(Telescopic back tube standard medium, pair)	1
7	1546946	(Telescopic back tube standard long, pair)	1
8	1529799	PLASTHÅNDTAK FOR REG AV BEKENFORL KJØREHÅNDTAK	1
9	1581293	(Sleeves for mounting fixture, for rearset push handles, pair)	1

(FOOTREST)



1	-	(Footrest standard)		1
2	-	(Footrest standard highmounted)		1
3	-	(Footrest standard for adducted frame)		1
4	-	(Footrest standard highmounted for adducted frame)		1
5	-	(Footrest standard for quick release frame)	01.01.2013 →	1
6	-	(Footrest standard highmounted for quick release frame)	01.01.2013 →	1
7	-	(Footrest angle adjustable)		1
8	-	(Footrest angle adjustable highmounted)		1
9	-	(Footrest angle adjustable for adducted frame)		1
10	-	(Footrest angle adjustable highmounted for adducted frame)		1
11	-	(Footrest flip-to-side)		1
12	-	(Footrest flip-to-side for adducted frame)		1
13	-	(Calf strap)		1

(Footrest standard)

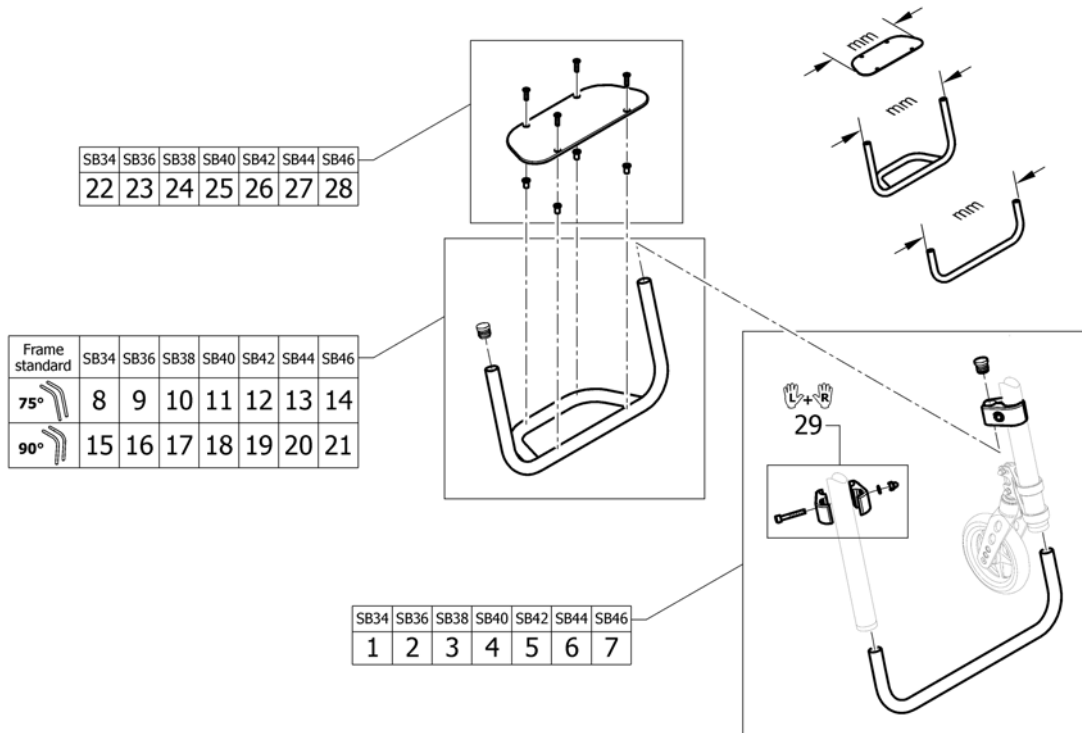


1	1561090	(Footrest Aluminium 315mm with plate for frame 75°)	1
2	1561091	(Footrest Aluminium 335mm with plate for frame 75°)	1
3	1561092	(Footrest Aluminium 355mm with plate for frame 75°)	1
4	1561093	(Footrest Aluminium 375mm with plate for frame 75°)	1
5	1561094	(Footrest Aluminium 395mm with plate for frame 75°)	1
6	1561095	(Footrest Aluminium 415mm with plate for frame 75°)	1
7	1561096	(Footrest Aluminium 435mm with plate for frame 75°)	1
8	1561110	(Footrest Titanium 315mm with plate for frame 75°)	1
9	1561111	(Footrest Titanium 335mm with plate for frame 75°)	1
10	1561112	(Footrest Titanium 355mm with plate for frame 75°)	1
11	1561113	(Footrest Titanium 375mm with plate for frame 75°)	1
12	1561114	(Footrest Titanium 395mm with plate for frame 75°)	1
13	1561115	(Footrest Titanium 415mm with plate for frame 75°)	1
14	1561116	(Footrest Titanium 435mm with plate for frame 75°)	1
15	1561100	(Footrest Aluminium 315mm with plate for frame 90°)	1
16	1561101	(Footrest Aluminium 335mm with plate for frame 90°)	1
17	1561102	(Footrest Aluminium 355mm with plate for frame 90°)	1
18	1561103	(Footrest Aluminium 375mm with plate for frame 90°)	1
19	1561104	(Footrest Aluminium 395mm with plate for frame 90°)	1
20	1561105	(Footrest Aluminium 415mm with plate for frame 90°)	1
21	1561106	(Footrest Aluminium 435mm with plate for frame 90°)	1
22	1561120	(Footrest Titanium 315mm with plate for frame 90°)	1
23	1561121	(Footrest Titanium 335mm with plate for frame 90°)	1
24	1561122	(Footrest Titanium 355mm with plate for frame 90°)	1
25	1561123	(Footrest Titanium 375mm with plate for frame 90°)	1
26	1561124	(Footrest Titanium 395mm with plate for frame 90°)	1
27	1561125	(Footrest Titanium 415mm with plate for frame 90°)	1
28	1561126	(Footrest Titanium 435mm with plate for frame 90°)	1
29	1561031	(Footrest Aluminium 315mm for frame 75°)	1
30	1561032	(Footrest Aluminium 335mm for frame 75°)	1
31	1561033	(Footrest Aluminium 355mm for frame 75°)	1

(Footrest standard)

32	1561046	(Footrest Aluminium 375mm for frame 75°)	1
33	1561047	(Footrest Aluminium 395mm for frame 75°)	1
34	1561048	(Footrest Aluminium 415mm for frame 75°)	1
35	1561049	(Footrest Aluminium 435mm for frame 75°)	1
36	1561063	(Footrest Titanium 315mm for frame 75°)	1
37	1561064	(Footrest Titanium 335mm for frame 75°)	1
38	1561065	(Footrest Titanium 355mm for frame 75°)	1
39	1561066	(Footrest Titanium 375mm for frame 75°)	1
40	1561067	(Footrest Titanium 395mm for frame 75°)	1
41	1561068	(Footrest Titanium 415mm for frame 75°)	1
42	1561069	(Footrest Titanium 435mm for frame 75°)	1
43	1561053	(Footrest Aluminium 315mm for frame 90°)	1
44	1561054	(Footrest Aluminium 335mm for frame 90°)	1
45	1561055	(Footrest Aluminium 355mm for frame 90°)	1
46	1561056	(Footrest Aluminium 375mm for frame 90°)	1
47	1561057	(Footrest Aluminium 395mm for frame 90°)	1
48	1561058	(Footrest Aluminium 415mm for frame 90°)	1
49	1561059	(Footrest Aluminium 435mm for frame 90°)	1
50	1561073	(Footrest Titanium 315mm for frame 90°)	1
51	1561074	(Footrest Titanium 335mm for frame 90°)	1
52	1561075	(Footrest Titanium 355mm for frame 90°)	1
53	1561076	(Footrest Titanium 375mm for frame 90°)	1
54	1561077	(Footrest Titanium 395mm for frame 90°)	1
55	1561078	(Footrest Titanium 415mm for frame 90°)	1
56	1561086	(Footrest Titanium 435mm for frame 90°)	1
57	1561130	(Footplate 203mm)	1
58	1561131	(Footplate 223mm)	1
59	1561132	(Footplate 243mm)	1
60	1561133	(Footplate 263mm)	1
61	1561134	(Footplate 283mm)	1
62	1561135	(Footplate 303mm)	1
63	1561136	(Footplate 323mm)	1

(Footrest standard highmounted)

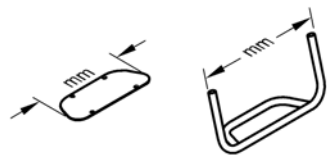


1	1561215	(Tube set for footrest, mounted in high position, 315mm)	1
2	1561216	(Tube set for footrest, mounted in high position, 335mm)	1
3	1561217	(Tube set for footrest, mounted in high position, 355mm)	1
4	1561218	(Tube set for footrest, mounted in high position, 375mm)	1
5	1561219	(Tube set for footrest, mounted in high position, 395mm)	1
6	1561220	(Tube set for footrest, mounted in high position, 415mm)	1
7	1561221	(Tube set for footrest, mounted in high position, 435mm)	1
8	1561224	(Footrest Aluminium 295mm for frame 75° for footrest mounted in high position)	1
9	1561225	(Footrest Aluminium 315mm for frame 75° for footrest mounted in high position)	1
10	1561292	(Footrest Aluminium 335mm for frame 75° for footrest mounted in high position)	1
11	1561293	(Footrest Aluminium 355mm for frame 75° for footrest mounted in high position)	1
12	1561294	(Footrest Aluminium 375mm for frame 75° for footrest mounted in high position)	1
13	1561295	(Footrest Aluminium 395mm for frame 75° for footrest mounted in high position)	1
14	1561296	(Footrest Aluminium 415mm for frame 75° for footrest mounted in high position)	1
15	1561300	(Footrest Aluminium 295mm for frame 90° for footrest mounted in high position)	1
16	1561301	(Footrest Aluminium 315mm for frame 90° for footrest mounted in high position)	1
17	1561302	(Footrest Aluminium 335mm for frame 90° for footrest mounted in high position)	1
18	1561303	(Footrest Aluminium 355mm for frame 90° for footrest mounted in high position)	1
19	1561304	(Footrest Aluminium 375mm for frame 90° for footrest mounted in high position)	1
20	1561305	(Footrest Aluminium 395mm for frame 90° for footrest mounted in high position)	1
21	1561306	(Footrest Aluminium 415mm for frame 90° for footrest mounted in high position)	1

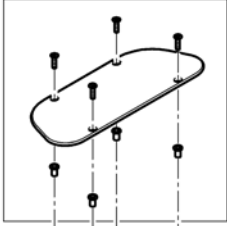
(Footrest standard highmounted)

22	1561129	(Footplate 183mm)	1
23	1561130	(Footplate 203mm)	1
24	1561131	(Footplate 223mm)	1
25	1561132	(Footplate 243mm)	1
26	1561133	(Footplate 263mm)	1
27	1561134	(Footplate 283mm)	1
28	1561135	(Footplate 303mm)	1
29	1544613	(Clamping kit for footrest high mounted, pair)	1

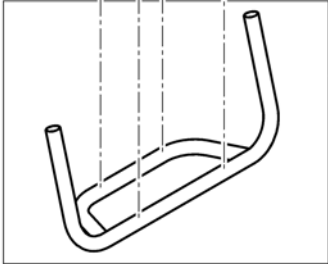
(Footrest standard for adducted frame)



Frame adducted		SB34	SB36	SB38	SB40	SB42	SB44	SB46
75°	Aluminium	-	1	2	3	4	5	6
	Titanium	-	7	8	9	10	11	12
90°	Aluminium	-	13	14	15	16	17	18
	Titanium	-	19	20	21	22	23	24



SB34	SB36	SB38	SB40	SB42	SB44	SB46
-	49	50	51	52	53	54



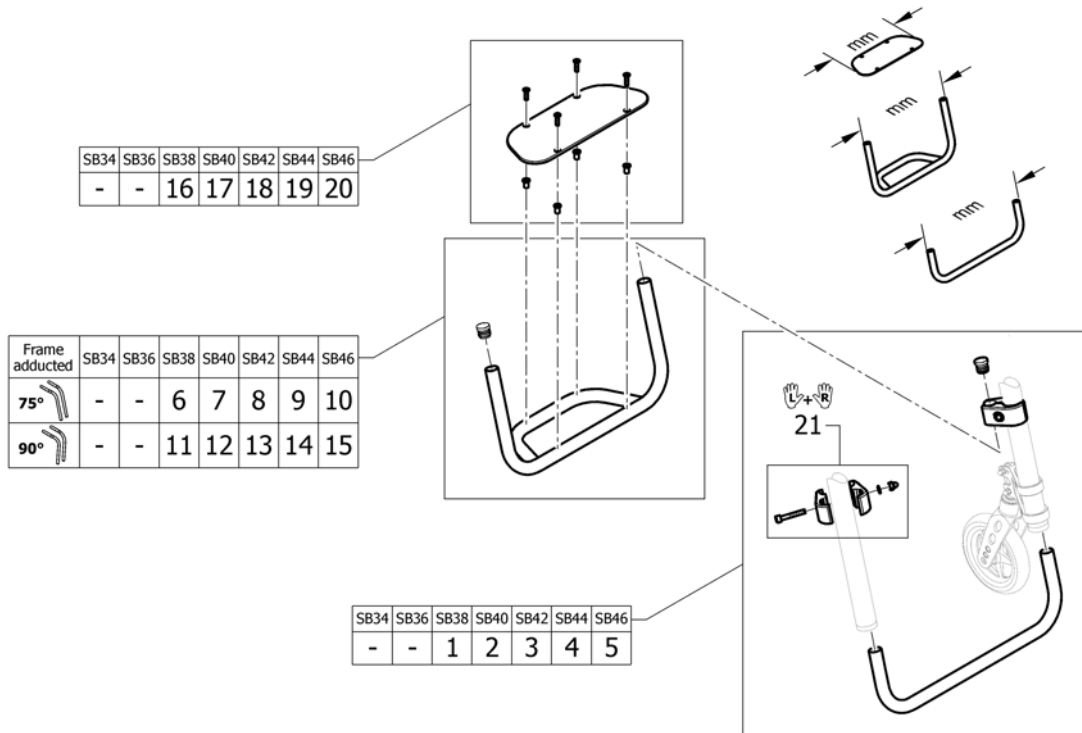
Frame adducted		SB34	SB36	SB38	SB40	SB42	SB44	SB46
75°	Aluminium	-	25	26	27	28	29	30
	Titanium	-	31	32	33	34	35	36
90°	Aluminium	-	37	38	39	40	41	42
	Titanium	-	43	44	45	46	47	48

1	1561089	(Footrest Aluminium 295mm with plate for frame 75°)	1
2	1561090	(Footrest Aluminium 315mm with plate for frame 75°)	1
3	1561091	(Footrest Aluminium 335mm with plate for frame 75°)	1
4	1561092	(Footrest Aluminium 355mm with plate for frame 75°)	1
5	1561093	(Footrest Aluminium 375mm with plate for frame 75°)	1
6	1561094	(Footrest Aluminium 395mm with plate for frame 75°)	1
7	1561109	(Footrest Titanium 295mm with plate for frame 75°)	1
8	1561110	(Footrest Titanium 315mm with plate for frame 75°)	1
9	1561111	(Footrest Titanium 335mm with plate for frame 75°)	1
10	1561112	(Footrest Titanium 355mm with plate for frame 75°)	1
11	1561113	(Footrest Titanium 375mm with plate for frame 75°)	1
12	1561114	(Footrest Titanium 395mm with plate for frame 75°)	1
13	1561099	(Footrest Aluminium 295mm with plate for frame 90°)	1
14	1561100	(Footrest Aluminium 315mm with plate for frame 90°)	1
15	1561101	(Footrest Aluminium 335mm with plate for frame 90°)	1
16	1561102	(Footrest Aluminium 355mm with plate for frame 90°)	1
17	1561103	(Footrest Aluminium 375mm with plate for frame 90°)	1
18	1561104	(Footrest Aluminium 395mm with plate for frame 90°)	1
19	1561119	(Footrest Titanium 295mm with plate for frame 90°)	1
20	1561120	(Footrest Titanium 315mm with plate for frame 90°)	1
21	1561121	(Footrest Titanium 335mm with plate for frame 90°)	1
22	1561122	(Footrest Titanium 355mm with plate for frame 90°)	1
23	1561123	(Footrest Titanium 375mm with plate for frame 90°)	1
24	1561124	(Footrest Titanium 395mm with plate for frame 90°)	1
25	1561030	(Footrest Aluminium 295mm for frame 75°)	1
26	1561031	(Footrest Aluminium 315mm for frame 75°)	1
27	1561032	(Footrest Aluminium 335mm for frame 75°)	1
28	1561033	(Footrest Aluminium 355mm for frame 75°)	1
29	1561046	(Footrest Aluminium 375mm for frame 75°)	1
30	1561047	(Footrest Aluminium 395mm for frame 75°)	1
31	1561062	(Footrest Titanium 295mm for frame 75°)	1

(Footrest standard for adducted frame)

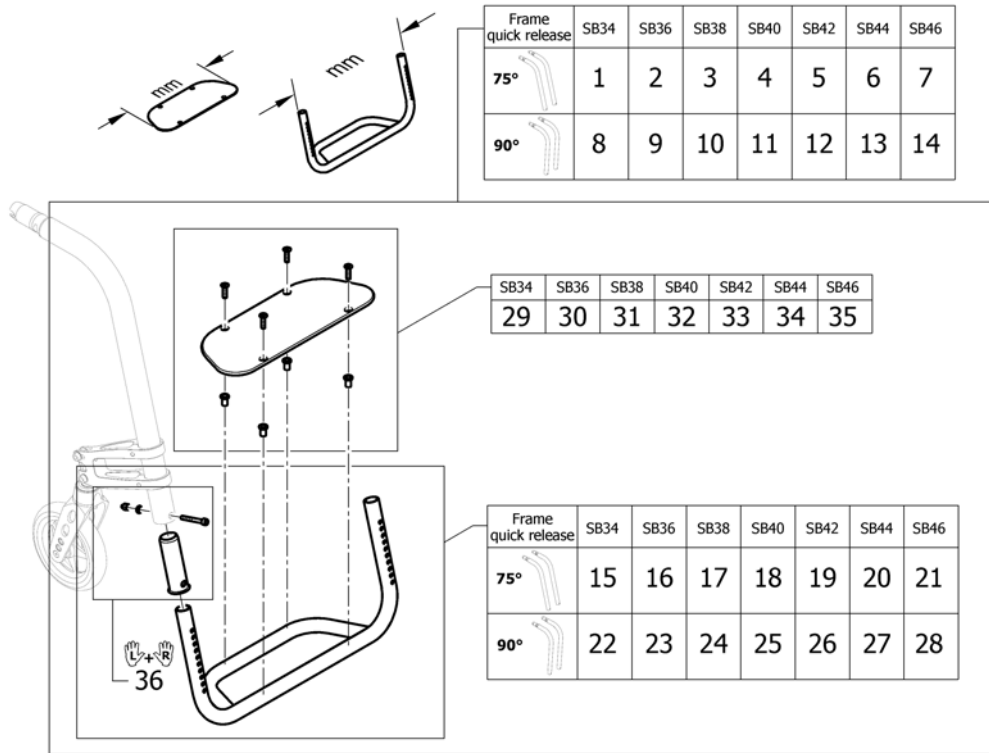
32	1561063	(Footrest Titanium 315mm for frame 75°)	1
33	1561064	(Footrest Titanium 335mm for frame 75°)	1
34	1561065	(Footrest Titanium 355mm for frame 75°)	1
35	1561066	(Footrest Titanium 375mm for frame 75°)	1
36	1561067	(Footrest Titanium 395mm for frame 75°)	1
37	1561052	(Footrest Aluminium 295mm for frame 90°)	1
38	1561053	(Footrest Aluminium 315mm for frame 90°)	1
39	1561054	(Footrest Aluminium 335mm for frame 90°)	1
40	1561055	(Footrest Aluminium 355mm for frame 90°)	1
41	1561056	(Footrest Aluminium 375mm for frame 90°)	1
42	1561057	(Footrest Aluminium 395mm for frame 90°)	1
43	1561072	(Footrest Titanium 295mm for frame 90°)	1
44	1561073	(Footrest Titanium 315mm for frame 90°)	1
45	1561074	(Footrest Titanium 335mm for frame 90°)	1
46	1561075	(Footrest Titanium 355mm for frame 90°)	1
47	1561076	(Footrest Titanium 375mm for frame 90°)	1
48	1561077	(Footrest Titanium 395mm for frame 90°)	1
49	1561129	(Footplate 183mm)	1
50	1561130	(Footplate 203mm)	1
51	1561131	(Footplate 223mm)	1
52	1561132	(Footplate 243mm)	1
53	1561133	(Footplate 263mm)	1
54	1561134	(Footplate 283mm)	1

(Footrest standard highmounted for adducted frame)



1	1561215	(Tube set for footrest, mounted in high position, 315mm)	1
2	1561216	(Tube set for footrest, mounted in high position, 335mm)	1
3	1561217	(Tube set for footrest, mounted in high position, 355mm)	1
4	1561218	(Tube set for footrest, mounted in high position, 375mm)	1
5	1561219	(Tube set for footrest, mounted in high position, 395mm)	1
6	1561224	(Footrest Aluminium 295mm for frame 75° for footrest mounted in high position)	1
7	1561225	(Footrest Aluminium 315mm for frame 75° for footrest mounted in high position)	1
8	1561292	(Footrest Aluminium 335mm for frame 75° for footrest mounted in high position)	1
9	1561293	(Footrest Aluminium 355mm for frame 75° for footrest mounted in high position)	1
10	1561294	(Footrest Aluminium 375mm for frame 75° for footrest mounted in high position)	1
11	1561300	(Footrest Aluminium 295mm for frame 90° for footrest mounted in high position)	1
12	1561301	(Footrest Aluminium 315mm for frame 90° for footrest mounted in high position)	1
13	1561302	(Footrest Aluminium 335mm for frame 90° for footrest mounted in high position)	1
14	1561303	(Footrest Aluminium 355mm for frame 90° for footrest mounted in high position)	1
15	1561304	(Footrest Aluminium 375mm for frame 90° for footrest mounted in high position)	1
16	1561129	(Footplate 183mm)	1
17	1561130	(Footplate 203mm)	1
18	1561131	(Footplate 223mm)	1
19	1561132	(Footplate 243mm)	1
20	1561133	(Footplate 263mm)	1
21	1544613	(Clamping kit for footrest high mounted, pair)	1

(Footrest standard for quick release frame)

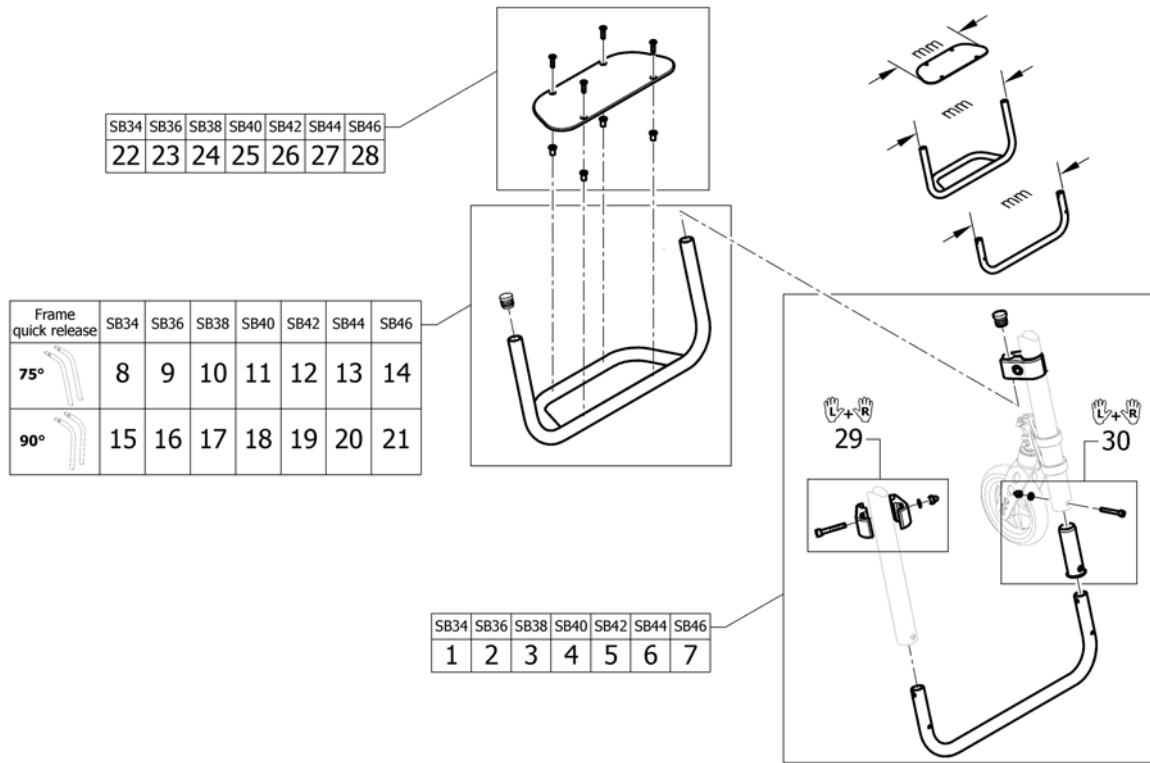


1	1567324	(Footrest Aluminium 316mm with plate for quick release frame 75°)	1
2	1567325	(Footrest Aluminium 336mm with plate for quick release frame 75°)	1
3	1567326	(Footrest Aluminium 356mm with plate for quick release frame 75°)	1
4	1567327	(Footrest Aluminium 376mm with plate for quick release frame 75°)	1
5	1567328	(Footrest Aluminium 396mm with plate for quick release frame 75°)	1
6	1567329	(Footrest Aluminium 416mm with plate for quick release frame 75°)	1
7	1567330	(Footrest Aluminium 436mm with plate for quick release frame 75°)	1
8	1567332	(Footrest Aluminium 316mm with plate for quick release frame 90°)	1
9	1567333	(Footrest Aluminium 336mm with plate for quick release frame 90°)	1
10	1567334	(Footrest Aluminium 356mm with plate for quick release frame 90°)	1
11	1567335	(Footrest Aluminium 376mm with plate for quick release frame 90°)	1
12	1567336	(Footrest Aluminium 396mm with plate for quick release frame 90°)	1
13	1567399	(Footrest Aluminium 416mm with plate for quick release frame 90°)	1
14	1567400	(Footrest Aluminium 436mm with plate for quick release frame 90°)	1
15	1567402	(Footrest Aluminium 316mm for quick release frame 75°)	1
16	1567403	(Footrest Aluminium 336mm for quick release frame 75°)	1
17	1567404	(Footrest Aluminium 356mm for quick release frame 75°)	1
18	1567405	(Footrest Aluminium 376mm for quick release frame 75°)	1
19	1567406	(Footrest Aluminium 396mm for quick release frame 75°)	1
20	1567407	(Footrest Aluminium 416mm for quick release frame 75°)	1
21	1567521	(Footrest Aluminium 436mm for quick release frame 75°)	1
22	1567523	(Footrest Aluminium 316mm for quick release frame 90°)	1
23	1567524	(Footrest Aluminium 336mm for quick release frame 90°)	1
24	1567525	(Footrest Aluminium 356mm for quick release frame 90°)	1
25	1567690	(Footrest Aluminium 376mm for quick release frame 90°)	1
26	1567691	(Footrest Aluminium 396mm for quick release frame 90°)	1
27	1567692	(Footrest Aluminium 416mm for quick release frame 90°)	1
28	1567693	(Footrest Aluminium 436mm for quick release frame 90°)	1
29	1561130	(Footplate 203mm)	1
30	1561131	(Footplate 223mm)	1
31	1561132	(Footplate 243mm)	1

(Footrest standard for quick release frame)

32	1561133	(Footplate 263mm)	1
33	1561134	(Footplate 283mm)	1
34	1561135	(Footplate 303mm)	1
35	1561136	(Footplate 323mm)	1
36	1567694	(Footrest sleeve, pair)	1

(Footrest standard highmounted for quick release frame)

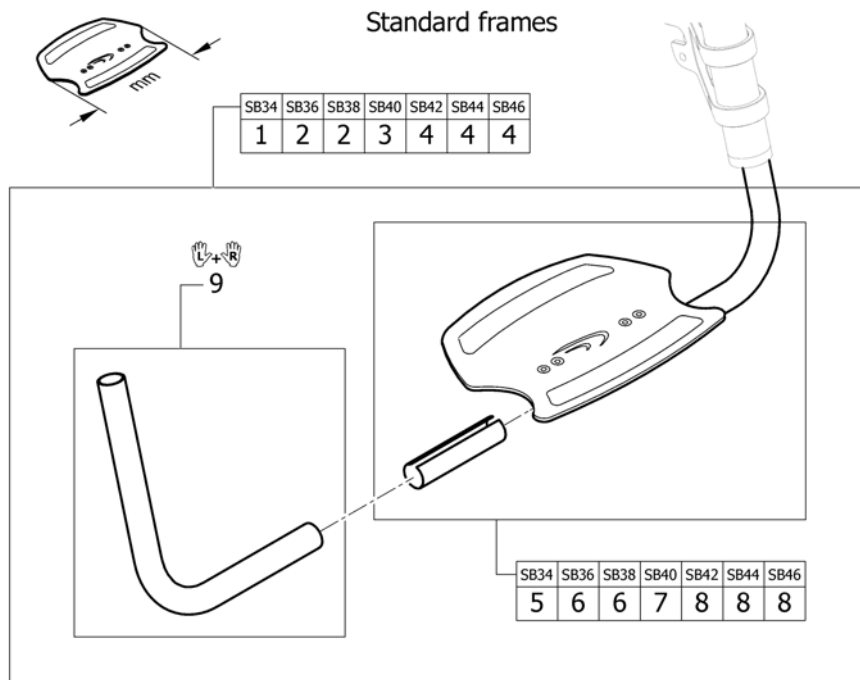


1	1567695	(Tube set 316mm for footrest, mounted in high position on quick release frame)	1
2	1567696	(Tube set 336mm for footrest, mounted in high position on quick release frame)	1
3	1567697	(Tube set 356mm for footrest, mounted in high position on quick release frame)	1
4	1567708	(Tube set 376mm for footrest, mounted in high position on quick release frame)	1
5	1567709	(Tube set 396mm for footrest, mounted in high position on quick release frame)	1
6	1567710	(Tube set 416mm for footrest, mounted in high position on quick release frame)	1
7	1567711	(Tube set 436mm for footrest, mounted in high position on quick release frame)	1
8	1561224	(Footrest Aluminium 295mm for frame 75° for footrest mounted in high position)	1
9	1561225	(Footrest Aluminium 315mm for frame 75° for footrest mounted in high position)	1
10	1561292	(Footrest Aluminium 335mm for frame 75° for footrest mounted in high position)	1
11	1561293	(Footrest Aluminium 355mm for frame 75° for footrest mounted in high position)	1
12	1561294	(Footrest Aluminium 375mm for frame 75° for footrest mounted in high position)	1
13	1561295	(Footrest Aluminium 395mm for frame 75° for footrest mounted in high position)	1
14	1561296	(Footrest Aluminium 415mm for frame 75° for footrest mounted in high position)	1
15	1561300	(Footrest Aluminium 295mm for frame 90° for footrest mounted in high position)	1
16	1561301	(Footrest Aluminium 315mm for frame 90° for footrest mounted in high position)	1
17	1561302	(Footrest Aluminium 335mm for frame 90° for footrest mounted in high position)	1
18	1561303	(Footrest Aluminium 355mm for frame 90° for footrest mounted in high position)	1

(Footrest standard highmounted for quick release frame)

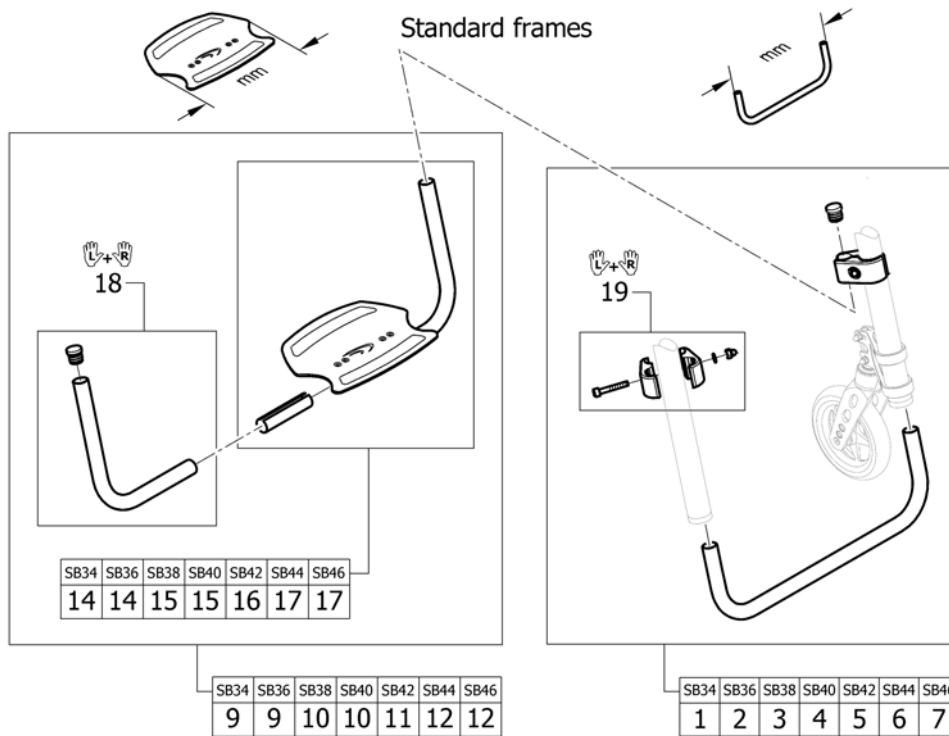
19	1561304	(Footrest Aluminium 375mm for frame 90° for footrest mounted in high position)	1
20	1561305	(Footrest Aluminium 395mm for frame 90° for footrest mounted in high position)	1
21	1561306	(Footrest Aluminium 415mm for frame 90° for footrest mounted in high position)	1
22	1561129	(Footplate 183mm)	1
23	1561130	(Footplate 203mm)	1
24	1561131	(Footplate 223mm)	1
25	1561132	(Footplate 243mm)	1
26	1561133	(Footplate 263mm)	1
27	1561134	(Footplate 283mm)	1
28	1561135	(Footplate 303mm)	1
29	1544613	(Clamping kit for footrest high mounted, pair)	1
30	1567694	(Footrest sleeve, pair)	1

(Footrest angle adjustable)



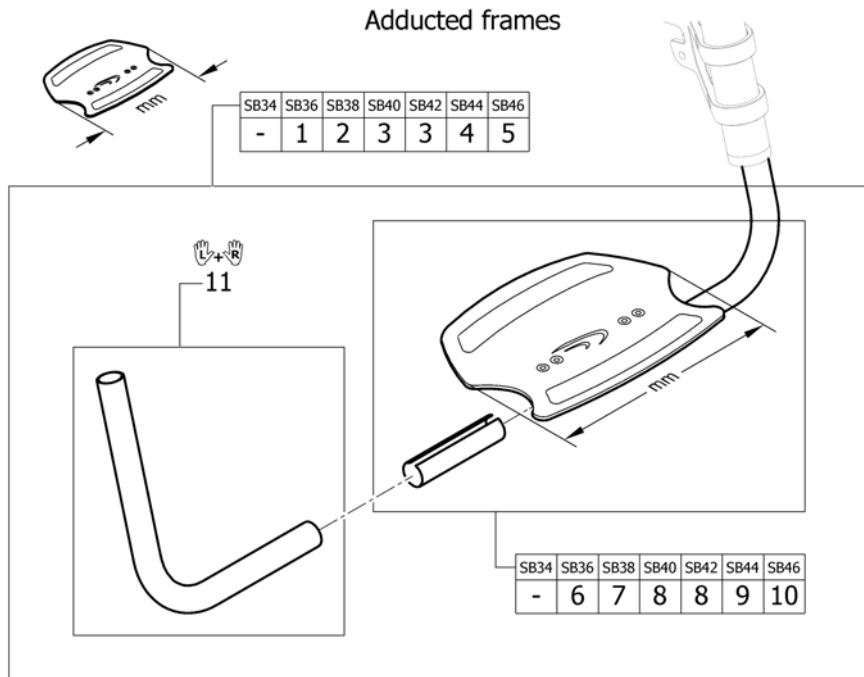
1	1561206	(Footrest angle adjustable 222mm, complete)	1
2	1561207	(Footrest angle adjustable 250mm, complete)	1
3	1561208	(Footrest angle adjustable 280mm, complete)	1
4	1561209	(Footrest angle adjustable 308mm, complete)	1
5	1561143	(Footplate 222mm with clamping part)	1
6	1561144	(Footplate 250mm with clamping part)	1
7	1561145	(Footplate 280mm with clamping part)	1
8	1561204	(Footplate 308mm with clamping part)	1
9	1561210	(Telescopic kit for footrest angle adjustable, pair)	1

(Footrest angle adjustable highmounted)



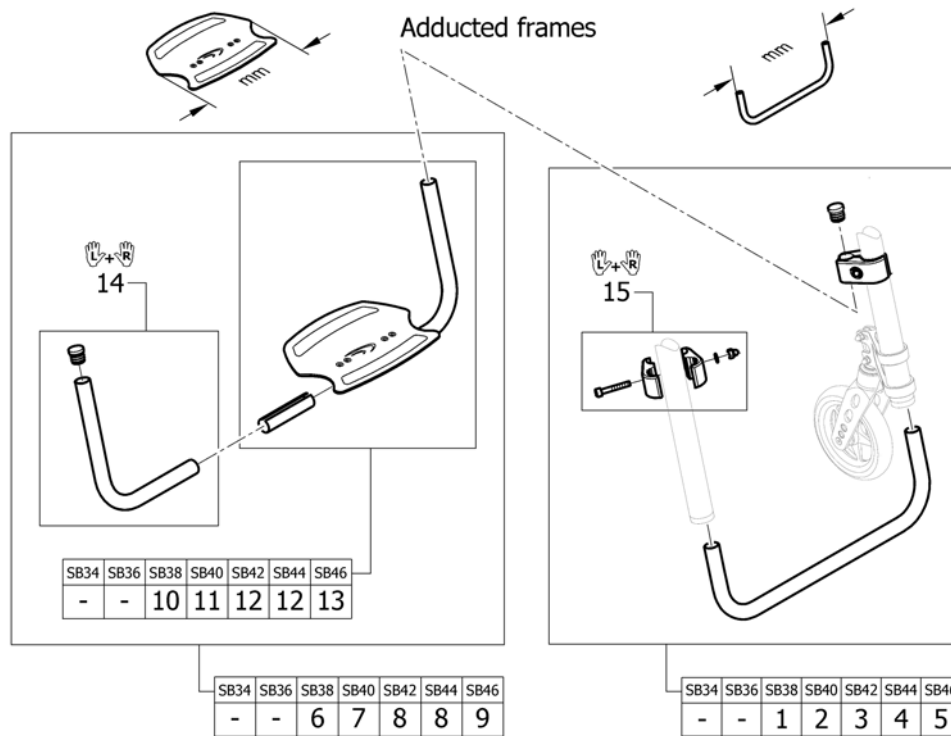
1	1561215	(Tube set for footrest, mounted in high position, 315mm)	1
2	1561216	(Tube set for footrest, mounted in high position, 335mm)	1
3	1561217	(Tube set for footrest, mounted in high position, 355mm)	1
4	1561218	(Tube set for footrest, mounted in high position, 375mm)	1
5	1561219	(Tube set for footrest, mounted in high position, 395mm)	1
6	1561220	(Tube set for footrest, mounted in high position, 415mm)	1
7	1561221	(Tube set for footrest, mounted in high position, 435mm)	1
9	1561313	(Footrest angle adjustable 222mm for footrest mounted in high position)	1
10	1561314	(Footrest angle adjustable 250mm for footrest mounted in high position)	1
11	1561315	(Footrest angle adjustable 280mm for footrest mounted in high position)	1
12	1561316	(Footrest angle adjustable 308mm for footrest mounted in high position)	1
14	1561143	(Footplate 222mm with clamping part)	1
15	1561144	(Footplate 250mm with clamping part)	1
16	1561145	(Footplate 280mm with clamping part)	1
17	1561204	(Footplate 308mm with clamping part)	1
18	1561317	(Telescopic kit for footrest angle adjustable mounted in high position)	1
19	1544613	(Clamping kit for footrest high mounted, pair)	1

(Footrest angle adjustable for adducted frame)



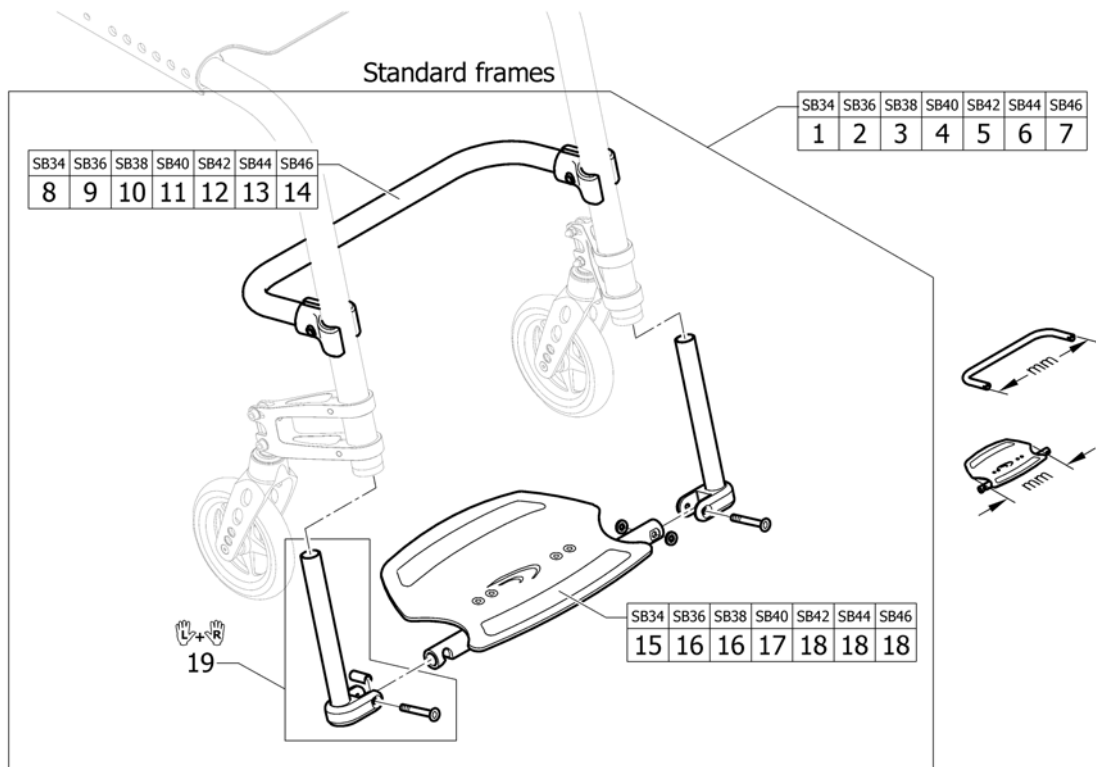
1	1561205	(Footrest angle adjustable 193mm, complete)	1
2	1561206	(Footrest angle adjustable 222mm, complete)	1
3	1561207	(Footrest angle adjustable 250mm, complete)	1
4	1561208	(Footrest angle adjustable 280mm, complete)	1
5	1561209	(Footrest angle adjustable 308mm, complete)	1
6	1561142	(Footplate 193mm with clamping part)	1
7	1561143	(Footplate 222mm with clamping part)	1
8	1561144	(Footplate 250mm with clamping part)	1
9	1561145	(Footplate 280mm with clamping part)	1
10	1561204	(Footplate 308mm with clamping part)	1
11	1561210	(Telescopic kit for footrest angle adjustable, pair)	1

(Footrest angle adjustable highmounted for adducted frame)



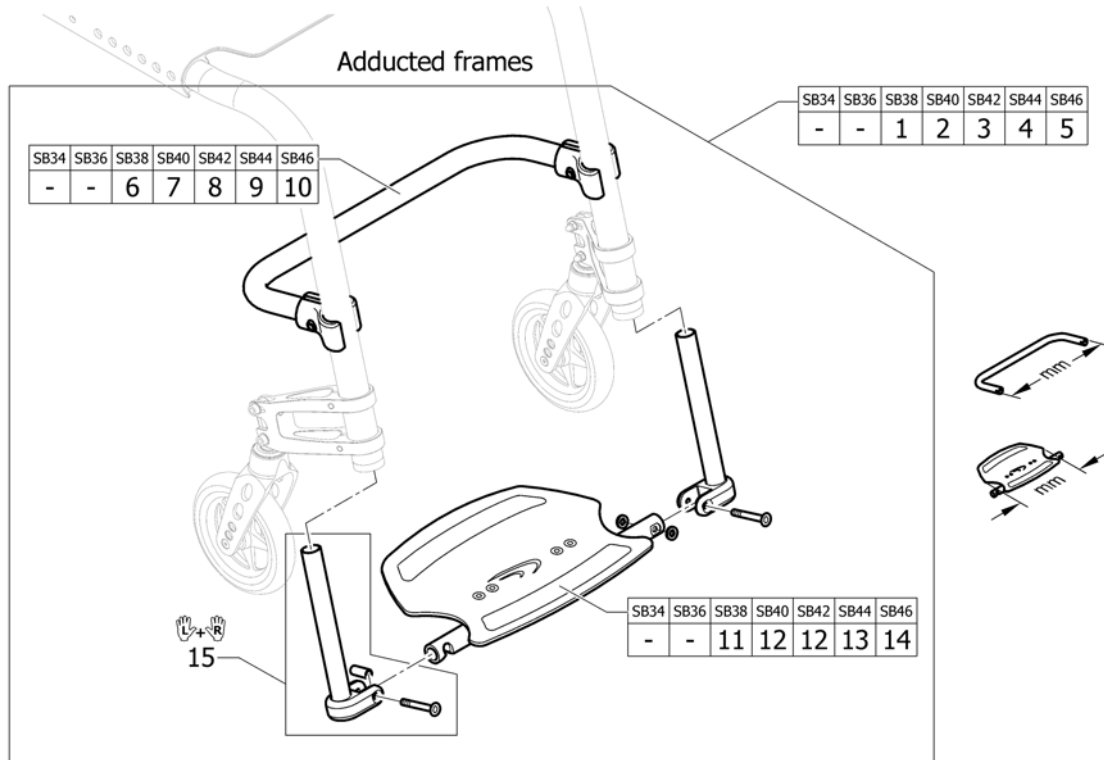
1	1561215	(Tube set for footrest, mounted in high position, 315mm)	1
2	1561216	(Tube set for footrest, mounted in high position, 335mm)	1
3	1561217	(Tube set for footrest, mounted in high position, 355mm)	1
4	1561218	(Tube set for footrest, mounted in high position, 375mm)	1
5	1561219	(Tube set for footrest, mounted in high position, 395mm)	1
6	1561312	(Footrest angle adjustable 193mm for footrest mounted in high position)	1
7	1561313	(Footrest angle adjustable 222mm for footrest mounted in high position)	1
8	1561314	(Footrest angle adjustable 250mm for footrest mounted in high position)	1
9	1561315	(Footrest angle adjustable 280mm for footrest mounted in high position)	1
10	1561142	(Footplate 193mm with clamping part)	1
11	1561143	(Footplate 222mm with clamping part)	1
12	1561144	(Footplate 250mm with clamping part)	1
13	1561145	(Footplate 280mm with clamping part)	1
14	1561317	(Telescopic kit for footrest angle adjustable mounted in high position)	1
15	1544613	(Clamping kit for footrest high mounted, pair)	1

(Footrest flip-to-side)



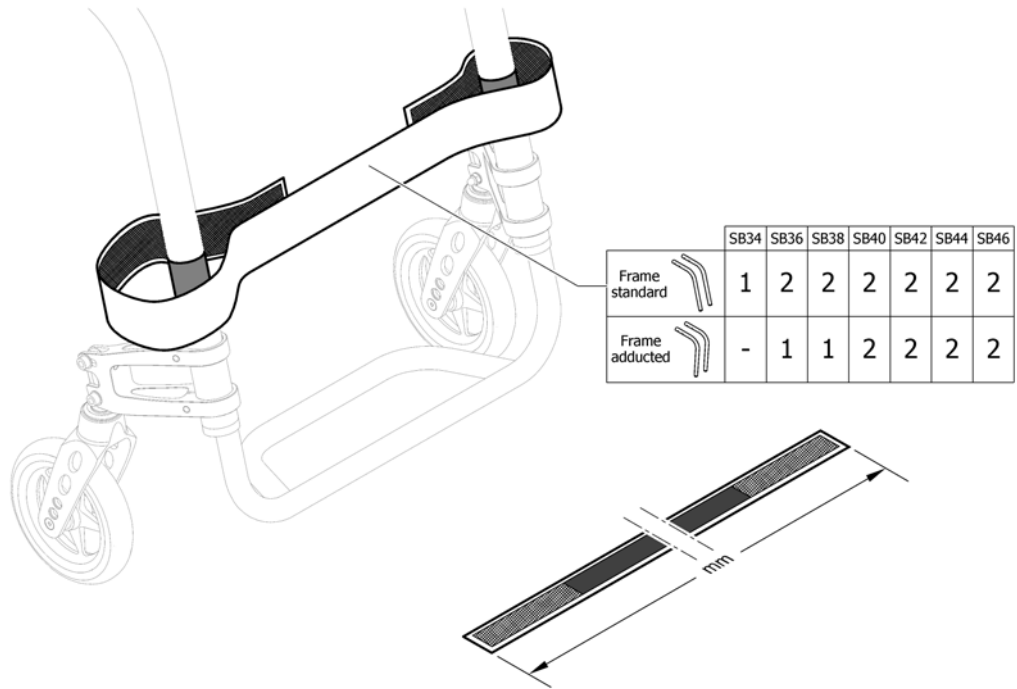
1	1561318	(Footrest flip-to-side with reinforcement bar 316mm complete)	1
2	1561319	(Footrest flip-to-side with reinforcement bar 336mm complete)	1
3	1561320	(Footrest flip-to-side with reinforcement bar 356mm complete)	1
4	1561393	(Footrest flip-to-side with reinforcement bar 376mm complete)	1
5	1561394	(Footrest flip-to-side with reinforcement bar 396mm complete)	1
6	1561511	(Footrest flip-to-side with reinforcement bar 416mm complete)	1
7	1561512	(Footrest flip-to-side with reinforcement bar 436mm complete)	1
8	1561513	(Reinforcement bar 316mm to Footrest flip to side)	1
9	1561514	(Reinforcement bar 336mm to Footrest flip to side)	1
10	1561515	(Reinforcement bar 356mm to Footrest flip to side)	1
11	1561516	(Reinforcement bar 376mm to Footrest flip to side)	1
12	1561517	(Reinforcement bar 396mm to Footrest flip to side)	1
13	1561518	(Reinforcement bar 416mm to Footrest flip to side)	1
14	1561519	(Reinforcement bar 436mm to Footrest flip to side)	1
15	1561520	(Footplate 222mm to footrest flip-to-side)	1
16	1561521	(Footplate 250mm to footrest flip-to-side)	1
17	1561522	(Footplate 280mm to footrest flip-to-side)	1
18	1561523	(Footplate 308mm to footrest flip-to-side)	1
19	1561524	(Telescopic tube kit to footrest flip-to-side)	1

(Footrest flip-to-side for adducted frame)

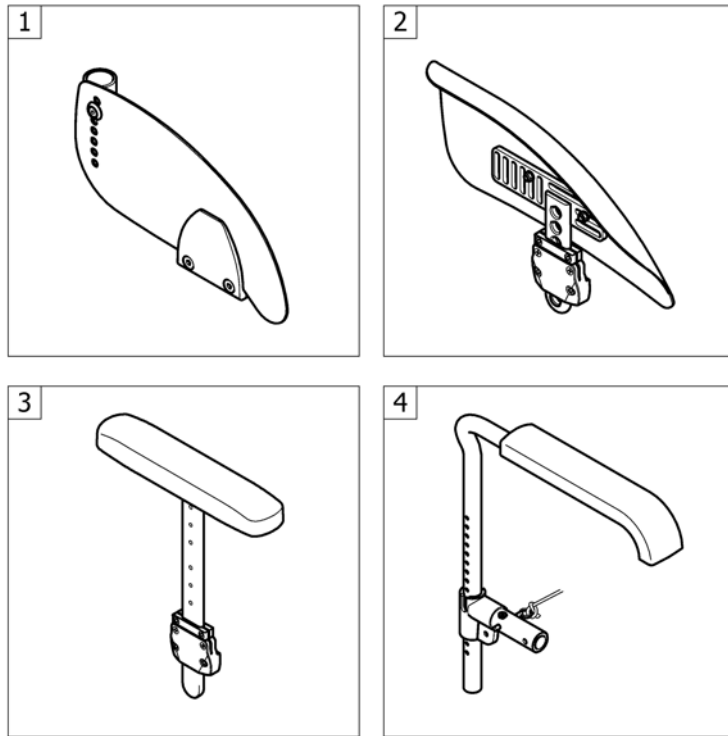


1	1561318	(Footrest flip-to-side with reinforcement bar 316mm complete)	1
2	1561319	(Footrest flip-to-side with reinforcement bar 336mm complete)	1
3	1561320	(Footrest flip-to-side with reinforcement bar 356mm complete)	1
4	1561393	(Footrest flip-to-side with reinforcement bar 376mm complete)	1
5	1561394	(Footrest flip-to-side with reinforcement bar 396mm complete)	1
6	1561513	(Reinforcement bar 316mm to Footrest flip to side)	1
7	1561514	(Reinforcement bar 336mm to Footrest flip to side)	1
8	1561515	(Reinforcement bar 356mm to Footrest flip to side)	1
9	1561516	(Reinforcement bar 376mm to Footrest flip to side)	1
10	1561517	(Reinforcement bar 396mm to Footrest flip to side)	1
11	1561520	(Footplate 222mm to footrest flip-to-side)	1
12	1561521	(Footplate 250mm to footrest flip-to-side)	1
13	1561522	(Footplate 280mm to footrest flip-to-side)	1
14	1561523	(Footplate 308mm to footrest flip-to-side)	1
15	1561524	(Telescopic tube kit to footrest flip-to-side)	1

(Calf strap)

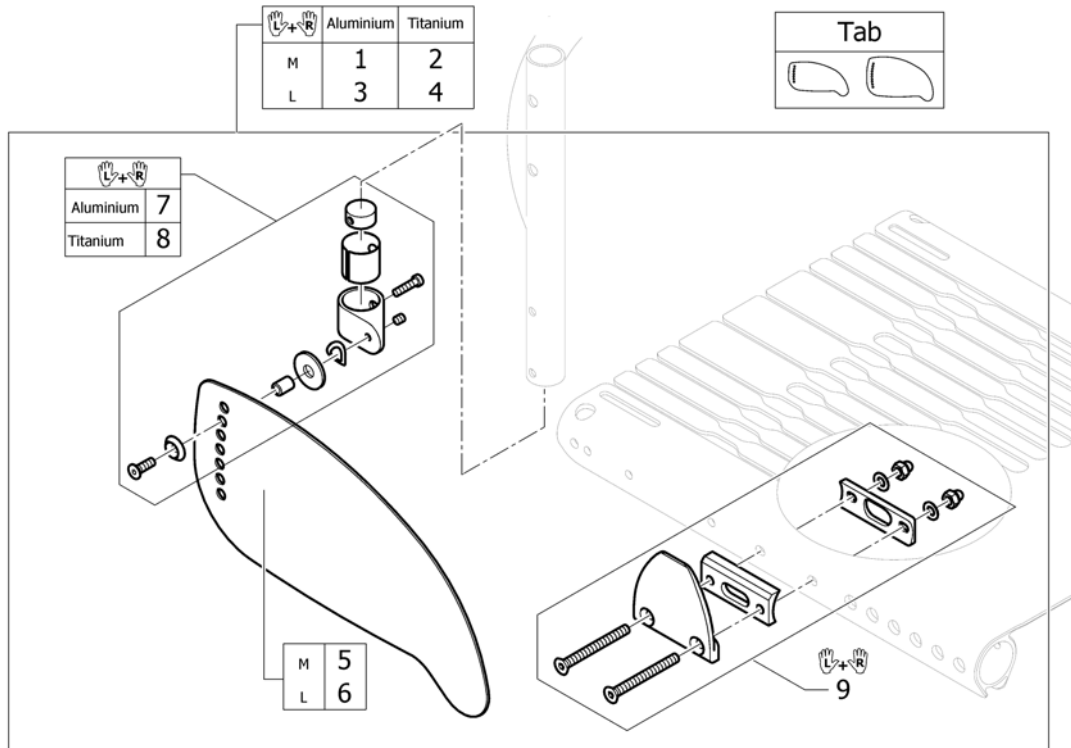


1	1561528	(Calf strap complete, 780mm)	1
2	1561529	LEGBÄND HELT 940MM KUSCHALL	1



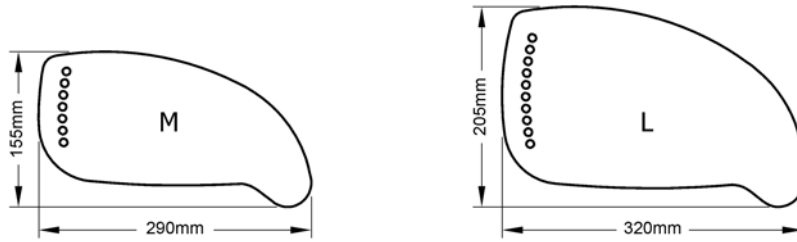
1	-	(Clothes-guards carbon)	1
2	-	(Mudguards carbon)	1
3	-	(Siderest height adjustable)	1
4	-	(Tubular armrest)	1

(Clothes-guards carbon)



Tab	-	(Configuration table clothes-guard carbon)	1
1	1561659	(Clothes-guards carbon M with fixation kit to backrest Aluminium, pair)	1
2	1561747	(Clothes-guards carbon M with fixation kit to backrest Titan, pair)	1
3	1561815	(Clothes-guards carbon L with fixation kit to backrest Aluminium, pair)	1
4	1561835	(Clothes-guards carbon L with fixation kit to backrest Titan, pair)	1
5	1547461	(Clothes-guard carbon M)	1
6	1547462	KLESBESKYTTER KARBON L PAR	1
7	1547452	FESTEKIT KLESBESKYTTER HJULSKJERM K-SERIEN	1
8	1547453	(Fixation kit clothes-guard carbon to backrest Titanium)	1
9	1561836	(Fixation clothes-guard to seat module, pair)	1

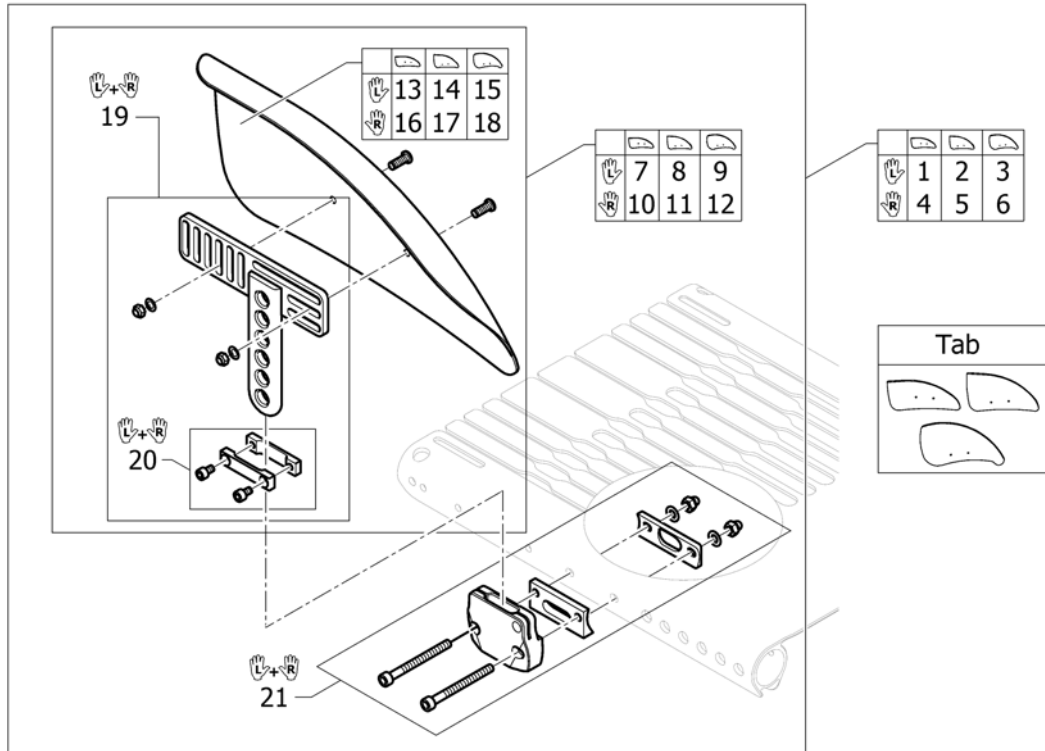
(Configuration table clothes-guard carbon)



Rear wheel position (mm)	Rear wheel 22"					Rear wheel 24"					Rear wheel 25"					Rear wheel 26"				
	140	125	110	95	80	140	125	110	95	80	140	125	110	95	80	140	125	110	95	80
Rear SH 37cm	L	L	L	L	M	L	L	L	L	L	L	L	L	L	L	L	L	L	L	L
Rear SH 38cm	L	L	L	M	M	L	L	L	L	L	L	L	L	L	L	L	L	L	L	L
Rear SH 39cm	L	L	M	M	M	L	L	L	L	L	L	L	L	L	L	L	L	L	L	L
Rear SH 40cm	L	M	M	M	M	L	L	L	L	L	L	L	L	L	L	L	L	L	L	L
Rear SH 41cm	M	M	M	M	M	L	L	L	L	M	L	L	L	L	L	L	L	L	L	L
Rear SH 42 cm	M	M	M	M	M	L	L	L	M	M	L	L	L	L	L	L	L	L	L	L
Rear SH 43cm	M	M	M	M	M	L	L	M	M	M	L	L	L	L	M	L	L	L	L	L
Rear SH 44cm	M	M	M	M	M	L	M	M	M	M	L	L	L	M	M	L	L	L	L	L
Rear SH 45cm	M	M	M	M	M	M	M	M	M	M	L	L	M	M	M	L	L	L	L	M
Rear SH 46cm	M	M	M	M	M	M	M	M	M	M	L	M	M	M	M	L	L	L	M	M
Rear SH 47cm	M	M	M	M	M	M	M	M	M	M	M	M	M	M	M	L	L	M	M	M
Rear SH 48cm	M	M	M	M	M	M	M	M	M	M	M	M	M	M	M	L	M	M	M	M
Rear SH 49cm	M	M	M	M	M	M	M	M	M	M	M	M	M	M	M	M	M	M	M	M

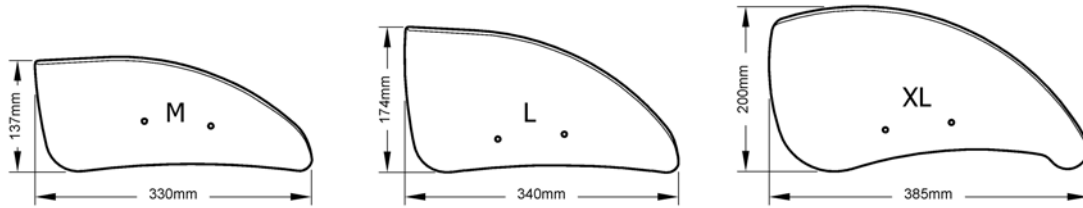
- M - (Clothes-guard Size M) 1
- L - (Clothes-guard Size L) 1

(Mudguards carbon)



Tab	-	(Configuration table mudguards carbon)	1
1	1562025	(Mudguard carbon left M short complete)	1
2	1562026	(Mudguard carbon left L short complete)	1
3	1562027	(Mudguard carbon left XL short complete)	1
4	1562028	(Mudguard carbon right M short complete)	1
5	1562238	(Mudguard carbon right L short complete)	1
6	1562239	(Mudguard carbon right XL short complete)	1
7	1547479	(Mudguard carbon left M short)	1
8	1547480	(Mudguard carbon left L short)	1
9	1553158	(Mudguard carbon left XL short)	1
10	1547483	(Mudguard carbon right M short)	1
11	1547484	(Mudguard carbon right L short)	1
12	1553203	(Mudguard carbon right XL short)	1
13	1547533	(Mudguard carbon left M)	1
14	1547534	(Mudguard carbon left L)	1
15	1553137	(Mudguard carbon left XL)	1
16	1547535	(Mudguard carbon right M)	1
17	1547536	(Mudguard carbon right L)	1
18	1553138	(Mudguard carbon right XL)	1
19	1547488	(Mudguard carbon holder short, pair)	1
20	1547537	(Siderests height clamp kit, pair)	1
21	1562240	(Fixationset mudguard to seat module, pair)	1

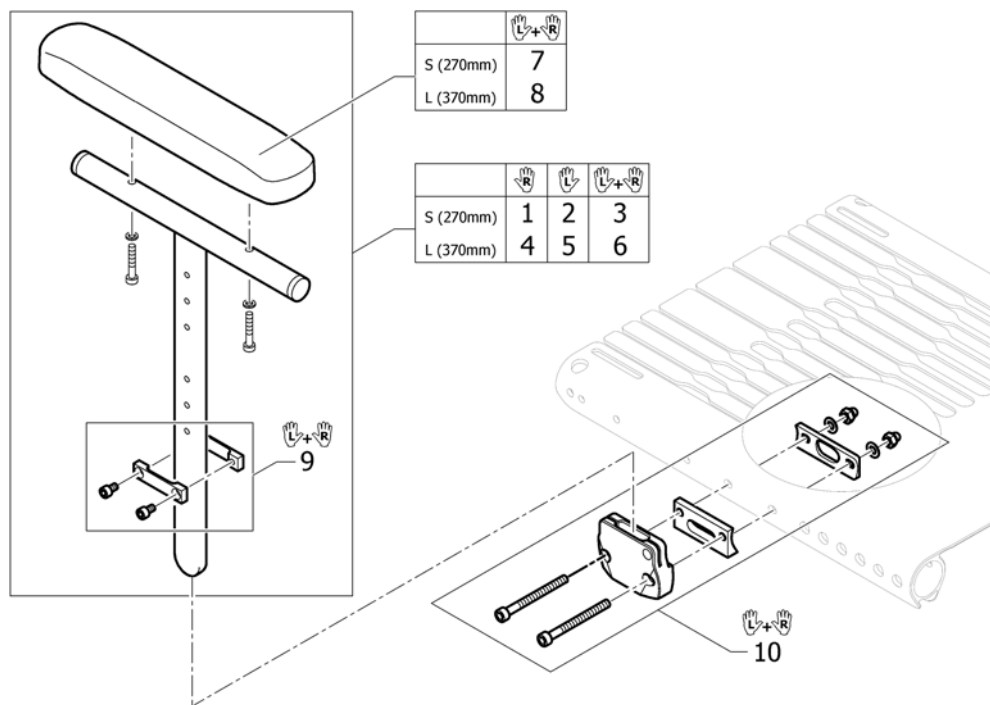
(Configuration table mudguards carbon)



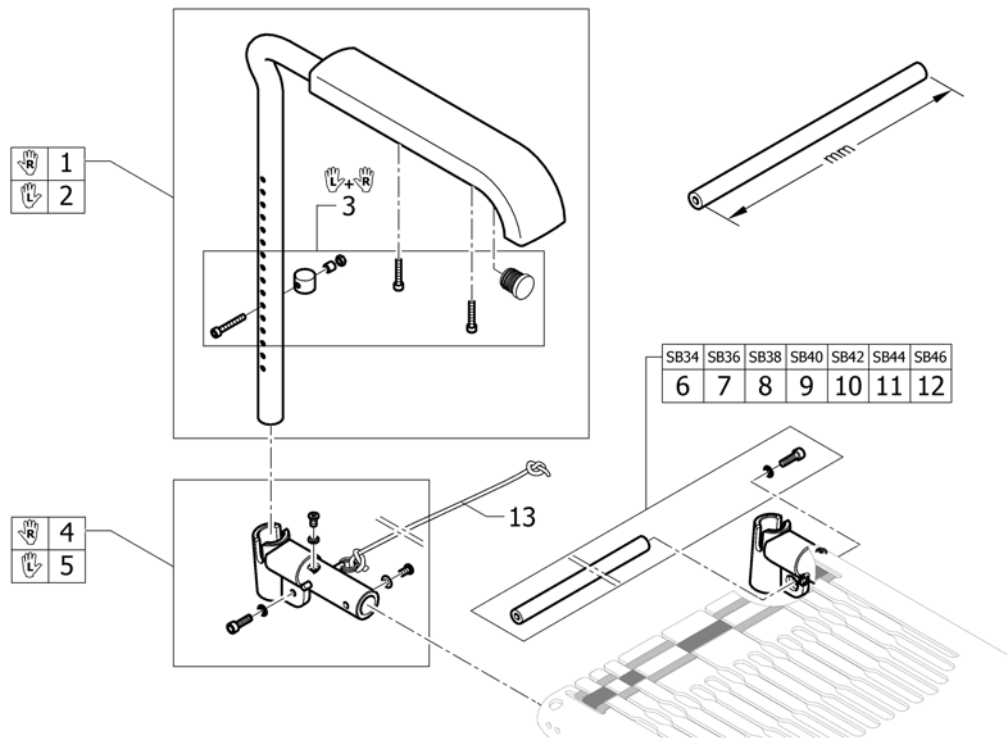
Rear wheel position (mm)	Rear wheel 22"					Rear wheel 24"					Rear wheel 25"					Rear wheel 26"				
	140	125	110	95	80	140	125	110	95	80	140	125	110	95	80	140	125	110	95	80
Rear SH 37cm	L	L	L	L	M	XL	XL	L	L	L	XL	XL	XL	XL	L	XL	XL	XL	XL	XL
Rear SH 38cm	L	L	L	M	M	XL	L	L	L	L	XL	XL	XL	L	L	XL	XL	XL	XL	XL
Rear SH 39cm	L	L	M	M	M	L	L	L	L	L	XL	XL	L	L	L	XL	XL	XL	XL	L
Rear SH 40cm	L	M	M	M	M	L	L	L	L	L	XL	L	L	L	L	XL	XL	XL	L	L
Rear SH 41cm	M	M	M	M	M	L	L	L	L	M	L	L	L	L	L	XL	XL	L	L	L
Rear SH 42 cm	M	M	M	M	M	L	L	L	M	M	L	L	L	L	L	XL	L	L	L	L
Rear SH 43cm	M	M	M	M	M	L	L	M	M	M	L	L	L	L	M	L	L	L	L	L
Rear SH 44cm	M	M	M	M	M	L	M	M	M	M	L	L	L	M	M	L	L	L	L	L
Rear SH 45cm	M	M	M	M	M	M	M	M	M	M	L	L	M	M	M	L	L	L	L	M
Rear SH 46cm	M	M	M	M	M	M	M	M	M	M	L	M	M	M	M	L	L	L	M	M
Rear SH 47cm	M	M	M	M	M	M	M	M	M	M	M	M	M	M	M	L	L	M	M	M
Rear SH 48cm	M	M	M	M	M	M	M	M	M	M	M	M	M	M	M	L	M	M	M	M
Rear SH 49cm	M	M	M	M	M	M	M	M	M	M	M	M	M	M	M	M	M	M	M	M

- M - (Mudguard carbon Size M) 1
- L - (Mudguard carbon Size L) 1
- XL - (Mudguard carbon Size XL) 1

(Siderest height adjustable)

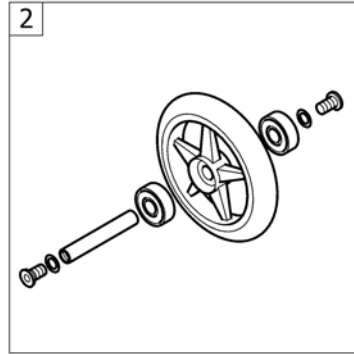
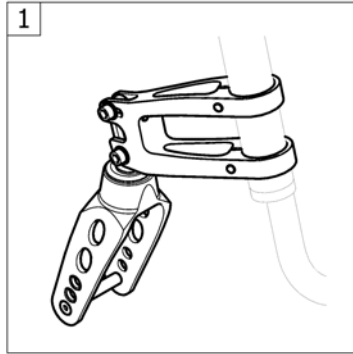


1	1517677	ARMLÉN KORT HREG HØ CO UL 1.4.8->	1
2	1517678	ARMLÉN KORT HREG VE CO UL	1
3	1517682	ARMLÉNE REG KORT PAR	1
4	1517679	ARMLÉN HREG HØ LANGT POLSTER CO UL FU 1.4.8->	1
5	1517680	ARMLÉN HREG VE LANGT POLSTER CO UL FU 1.4.8->	1
6	1517683	ARMLÉN LONG HREG PAR	1
7	1439497	ARMLÉNSPOLSTER KORT 27 C CO UL 2004 -> PAR	1
8	1439498	ARMLÉNSPOLSTER LANG CO UL 2004-> PAR 36CM.	1
9	1547537	(Siderests height clamp kit, pair)	1
10	1562240	(Fixationset mudguard to seat module, pair)	1



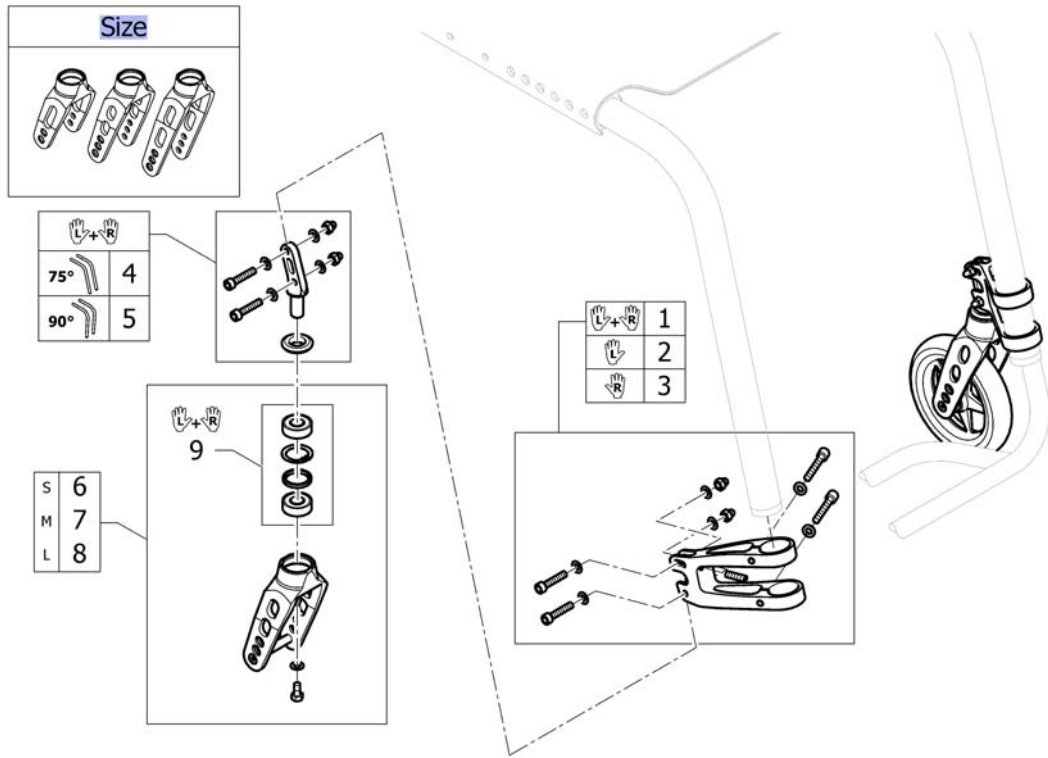
1	913.1012	ARMLÉN RØRET M/PADS L HØ SPORTKUSCHALLALLE	1
2	913.1013	ARMLÉN RØRET M/PADS L VE SPORTKUSCHALLALLE	1
3	1547610	(Boltset Armrest)	1
4	1562556	(Armrest adapter right incl. Fixation and cord)	1
5	1562557	(Armrest adapter left incl. Fixation and cord)	1
6	1562509	(Connection tube 296mm)	1
7	1562510	(Connection tube 316mm)	1
8	1562511	(Connection tube 336mm)	1
9	1562512	(Connection tube 356mm)	1
10	1562513	(Connection tube 376mm)	1
11	1562514	(Connection tube 396mm)	1
12	1562553	(Connection tube 416mm)	1
13	1554427	TAU UTLØSERMEKNISME RYGG K4 SERIEN	1

(FRONT WHEELS)



1	-	(Front forks standard)	1
2	-	(Front wheels)	1

(Front forks standard)

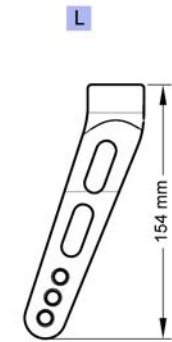
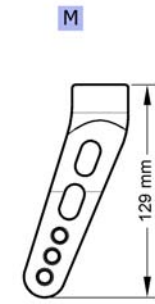
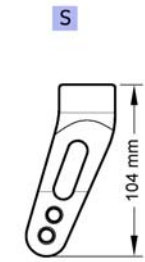


Size	-	(Configuration table for front fork size)		0
1	1562560	(Front wheel supporter, pair, dark grey)	14.05.2012 → 31.12.2014	1
1	1562560-0004	(Front wheel supporter, pair, black)	01.01.2015 →	1
2	1562561	(Front wheel supporter, left, dark grey)	14.05.2012 → 31.12.2014	1
2	1562561-0004	(Front wheel supporter, left, black)	01.01.2015 →	1
3	1562562	(Front wheel supporter, right, dark grey)	14.05.2012 → 31.12.2014	1
3	1562562-0004	(Front wheel supporter, right, black)	01.01.2015 →	1
4	1562563	(Front fork pin kit for frame 75°, pair)		1
5	1562564	(Front fork pin kit for frame 90°, pair)		1
6	1562565-0004	(Front fork S, black anodized)		2
6	1562565-0001	(Front fork S, chrome)		2
6	1562565-0182	(Front fork S, champagne)	01.01.2013 →	2
6	1562565-0183	(Front fork S, olive)	01.01.2013 → 31.12.2014	2
6	1562565-0400	(Front fork S, techno-anthrazit)		2
6	1562565-0404	(Front fork S, b-blue)	14.05.2012 → 31.12.2014	2
6	1562565-0440	(Front fork S, comet red)		2
6	1562565-0441	(Front fork S, arctic blue)		2
6	1562565-0444	(Front fork S, copper glaze)	14.05.2012 → 31.12.2014	2
7	1562566-0004	(Front fork M, black anodized)		2
7	1562566-0001	(Front fork M, chrome)		2
7	1562566-0182	(Front fork M, champagne)	01.01.2013 →	2
7	1562566-0183	(Front fork M, olive)	01.01.2013 → 31.12.2014	2
7	1562566-0400	(Front fork M, techno-anthrazit)		2
7	1562566-0404	(Front fork M, b-blue)	14.05.2012 → 31.12.2014	2
7	1562566-0440	(Front fork M, comet red)		2

(Front forks standard)

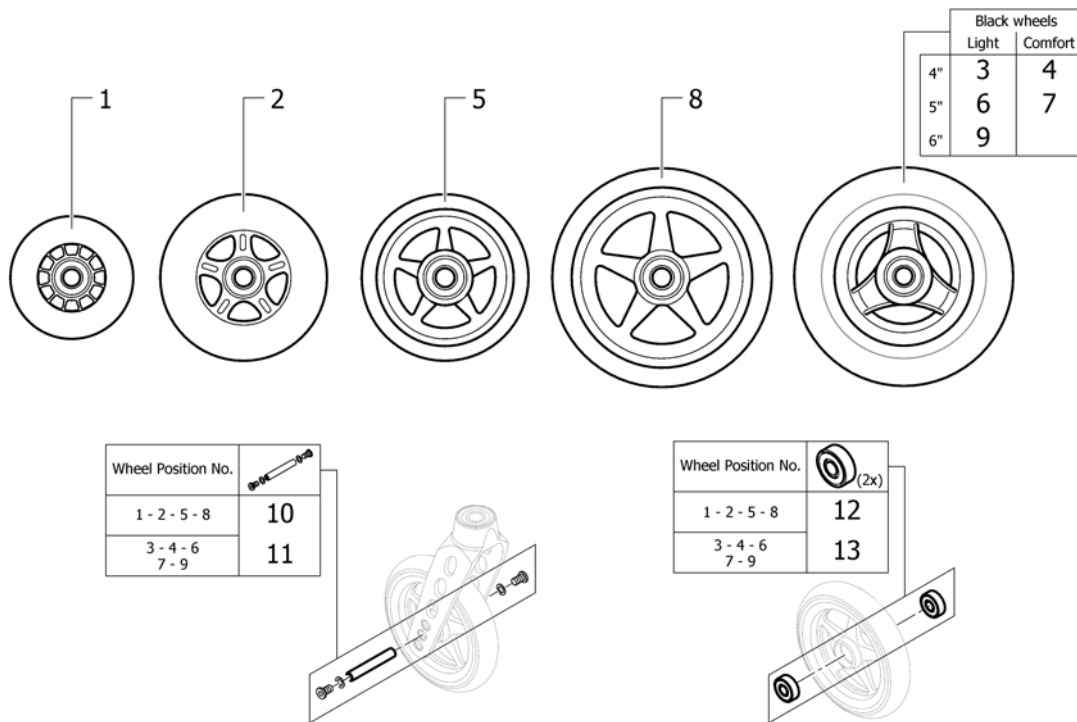
7	1562566-0441	(Front fork M, arctic blue)		2
7	1562566-0444	(Front fork M, copper glaze)	14.05.2012 → 31.12.2014	2
8	1562567-0004	(Front fork L, black anodized)		2
8	1562567-0001	(Front fork L, chrome)		2
8	1562567-0182	(Front fork L, champagne)	01.01.2013 →	2
8	1562567-0183	(Front fork L, olive)	01.01.2013 → 31.12.2014	2
8	1562567-0400	(Front fork L, techno-anthrazit)		2
8	1562567-0404	(Front fork L, b-blue)	14.05.2012 → 31.12.2014	2
8	1562567-0440	(Front fork L, comet red)		2
8	1562567-0441	(Front fork L, arctic blue)		2
8	1562567-0444	(Front fork L, copper glaze)	14.05.2012 → 31.12.2014	2
9	1510219	KULELAGER KIT		1

(Configuration table for front fork size)



S	-	(Front fork, Size S)	0
M	-	(Front fork, Size M)	0
L	-	(Front fork, Size L)	0

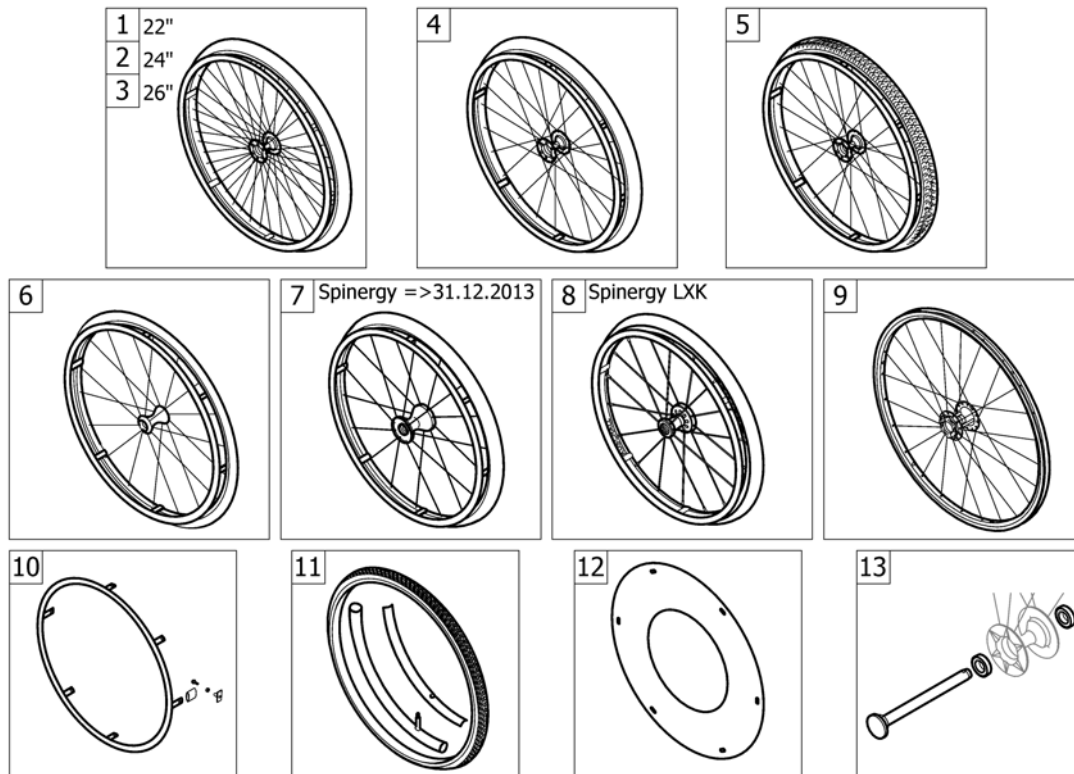
(Front wheels)



1	1513180	SVINGHJUL 3 KPL PLUS AKSLING 1420972		2
2	1513181	SVINGHJUL 4 SKATER TRANS PARENT		2
3	1562626	SVINGHJUL 4 EVERYDAY 3 EIKER SORT <i>Replaces 1513182</i>	01.07.2012 →	2
4	1561139	(4" Comfort wheel, black)		2
5	1513183-0001	(4" Starec wheel, chrome)		2
5	1513183-0182	(4" Starec wheel, champagne)	01.01.2013 →	2
5	1513183-0183	(4" Starec wheel, olive)	01.01.2013 → 31.12.2014	2
5	1513183-0400	SVINGHJUL 4 STAREC TECHNO-ANTHRACITE		2
5	1513183-0404	SVINGHJUL 4 STAREC B-BLÅ KUSCHALL	14.05.2012 → 31.12.2014	2
5	1513183-0004	(4" Starec wheel, black anodized) <i>Replaces 1513183-0408</i>		2
5	1513183-0440	SVINGHJUL 4 STAREC COMET RØD		2
5	1513183-0441	(4" Starec wheel, arctic blue)		2
5	1513183-0444	SVINGHJUL 4 STAREC KOBBER.	14.05.2012 → 31.12.2014	2
6	1562627	SVINGHJUL 5 EVERYDAY 3 EIKER SORT <i>Replaces 1513185</i>	01.07.2012 →	2
7	1542640	SVINGHJUL 5 SORT 4 CM KUSCHALL COMFORT <i>Replaces 1513186</i>		2
8	1513187-0001	(5" Starec wheel, chrome)		2
8	1513187-0182	(5" Starec wheel, champagne)	01.01.2013 →	2
8	1513187-0183	(5" Starec wheel, olive)	01.01.2013 → 31.12.2014	2
8	1513187-0440	SVINGHJUL 5 STAREC COMET RØD		2
8	1513187-0441	SVINGHJUL 5" STAREC ARCTIC BLÅ		2
8	1513187-0444	SVINGHJUL 5 STAREC KUSCHALL COPPER-GLAZE	14.05.2012 → 31.12.2014	2
8	1513187-0400	SVINGHJUL 5 STAREC KUSCHALL TECHNO-ANTRACIT		2
8	1513187-0404	SVINGHJUL 5 STAREC KUSCHALL B-BLUE	14.05.2012 → 31.12.2014	2
8	1513187-0004	(5" Starec wheel, black anodized)		2

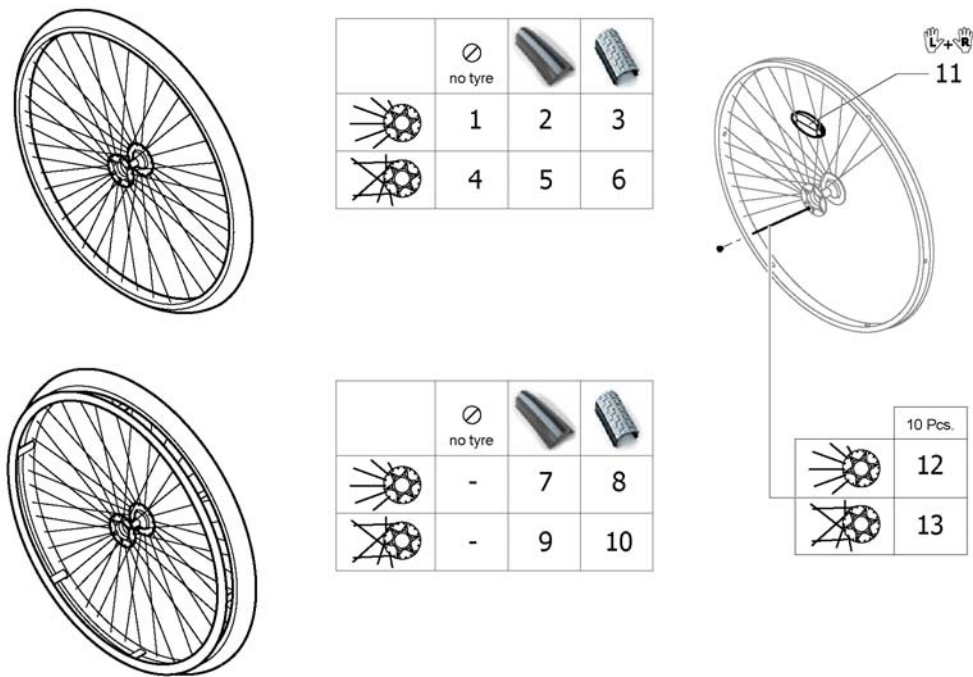
9	1562628	SVINGHJUL 6 EVERYDAY 3 EIKER SORT GUMMI <i>Replaces 1513190</i>	01.07.2012 →	2
10	1420972	AKSLINGSETT KPL STAREC/SKATE HJUL		2
11	1570108	AKSELSETT SVINGHJUL U DISTANSESKIVER		2
12	1570104	KULELAGER 8/22X7 KUSCHALL		2
13	1570105	KULELAGER PAR KUSCHALL 6000-2RS		2

(REAR WHEELS)



1	-	(22" Küschall rear wheels complete)	14.05.2012 → 31.12.2013	1
2	-	(24" Küschall rear wheels complete)		1
3	-	(26" Küschall rear wheels complete)		1
4	-	(High Performance wheel)		1
5	-	(Mountainbike wheel)		1
6	-	(Ultra-light fibre wheel)	14.05.2012 → 31.12.2013	1
7	-	(Spinergy wheel)	14.05.2012 → 31.12.2013	1
8	-	(Spinergy LXX wheel)	01.01.2014 →	1
9	-	(Hub brake wheel)	01.07.2013 →	1
10	-	(Handrim)		1
11	-	(Tyre)		1
12	-	(Spokes guard)		1
13	-	(Quick release axle and bearing)		1

(22" Küschall rear wheels complete)

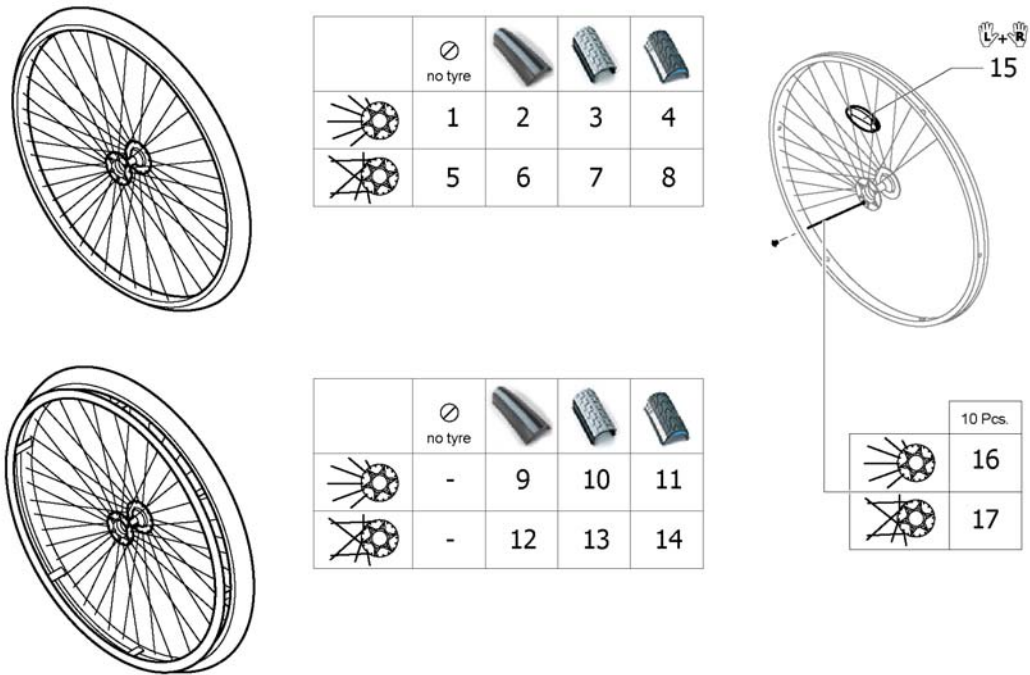


1	1559082-0407	DRIVHJUL 22" FARGELØS UTEN DEKK OG DRIVRING	14.05.2012 → 31.12.2013	2
1	1559082-0001	(Rear wheel 22" Starec R, chrome, without handrim, without tyre)	14.05.2012 → 31.12.2013	2
1	1559082-0182	(Rear wheel 22" Starec R, champagne, without handrim, without tyre)	01.01.2013 → 31.12.2013	2
1	1559082-0183	(Rear wheel 22" Starec R, olive, without handrim, without tyre)	01.01.2013 → 31.12.2013	2
1	1559082-0400	(Rear wheel 22" Starec R, tecno, without handrim, without tyre)	14.05.2012 → 31.12.2013	2
1	1559082-0404	(Rear wheel 22" Starec R, b-blue, without handrim, without tyre)	14.05.2012 → 31.12.2013	2
1	1559082-0440	(Rear wheel 22" Starec R, comet red, without handrim, without tyre)	14.05.2012 → 31.12.2013	2
1	1559082-0441	(Rear wheel 22" Starec R, arctic blue, without handrim, without tyre)	14.05.2012 → 31.12.2013	2
1	1559082-0444	(Rear wheel 22" Starec R, copper glaze, without handrim, without tyre)	14.05.2012 → 31.12.2013	2
2	SP1601740	(Rear wheel 22", Starec hub R, without handrim, Rightrun black/grey)	14.05.2012 → 31.12.2013	2
		<i>Replaces 904.1195</i>		
3	904.1158	DRIVHJUL 22 STAREC NAV U TEN DRIVR TREAD	14.05.2012 → 31.12.2013	2
4	1559083-0407	(Rear wheel 22", Starec X, colourless, without handrim, without tyre)	14.05.2012 → 31.12.2013	2
4	1559083-0001	(Rear wheel 22", Starec X, chrome, without handrim, without tyre)	14.05.2012 → 31.12.2013	2
4	1559083-0182	(Rear wheel 22", Starec X, champagne, without handrim, without tyre)	01.01.2013 → 31.12.2013	2
4	1559083-0183	(Rear wheel 22" Starec X, olive, without handrim, without tyre)	01.01.2013 → 31.12.2013	2
4	1559083-0400	(Rear wheel 22" Starec X, Tecno, without handrim, without tyre)	14.05.2012 → 31.12.2013	2
4	1559083-0404	(Rear wheel 22" Starec X, B-blue, without handrim, without tyre)	14.05.2012 → 31.12.2013	2

(22" Küschall rear wheels complete)

4	1559083-0440	(Rear wheel 22" Starec X, Comet red, without handrim, without tyre)	14.05.2012 → 31.12.2013	2
4	1559083-0441	(Rear wheel 22" Starec X, arctic blue, without handrim, without tyre)	14.05.2012 → 31.12.2013	2
4	1559083-0444	(Rear wheel 22" Starec X, copper glaze, without handrim, without tyre)	14.05.2012 → 31.12.2013	2
5	SP1601741	(Rear wheel 22", Starec hub X, without handrim, Rightrun black/grey)	14.05.2012 → 31.12.2013	2
		<i>Replaces 904.1189</i>		
6	904.1139	DRIVHJUL 22 STAREC NAV U TEN DRIVR TREAD	14.05.2012 → 31.12.2013	2
7	SP1601861	(Rear wheel 22", Starec hub R, handrim aluminium black, Rightrun black/grey)	14.05.2012 → 31.12.2013	2
		<i>Replaces 1562657</i>		
8	1562658	(Rear wheel 22", Starec hub R, handrim aluminium black, Tread)	14.05.2012 → 31.12.2013	2
9	SP1601860	(Rear wheel 22", Starec hub X, handrim aluminium black, Rightrun black/grey)	14.05.2012 → 31.12.2013	2
		<i>Replaces 1562655</i>		
10	1562656	(Rear wheel 22", Starec hub X, handrim aluminium black, Tread)	14.05.2012 → 31.12.2013	2
11	1571073	(Spokereflection, pair)	14.05.2012 → 31.12.2013	1
		<i>Replaces 220.1033</i>		
12	1579081	(Spokes 211mm complete, kit 10 Pcs.)	14.05.2012 → 31.12.2013	1
13	1579082	(Spokes 228mm complete, kit 10 Pcs.)	14.05.2012 → 31.12.2013	1

(24" Küschall rear wheels complete)



1	1567103-0407	(Rear wheel 24" Starec R, colourless, without handrim, without tyre) <i>Replaces 904.1082</i>	14.05.2012 → 31.12.2014	2
1	1567103-0001	(Rear wheel 24" Starec R, chrome, without handrim, without tyre) <i>Replaces 904.1082-0001</i>	14.05.2012 → 31.12.2014	2
1	1567103-0182	(Rear wheel 24" Starec R, champagne, without handrim, without tyre)	01.01.2013 → 31.12.2014	2
1	1567103-0183	(Rear wheel 24" Starec R, olive, without handrim, without tyre)	01.01.2013 → 31.12.2014	2
1	1567103-0400	(Rear wheel 24" Starec R, tecno, without handrim, without tyre) <i>Replaces 904.1082.950</i>	14.05.2012 → 31.12.2014	2
1	1567103-0404	(Rear wheel 24" Starec R, b-blue, without handrim, without tyre) <i>Replaces 904.1082.957</i>	14.05.2012 → 31.12.2014	2
1	1567103-0440	(Rear wheel 24" Starec R, comet red, without handrim, without tyre) <i>Replaces 904.1082-0440</i>	14.05.2012 → 31.12.2014	2
1	1567103-0441	(Rear wheel 24" Starec R, arctic blue, without handrim, without tyre) <i>Replaces 904.1082-0441</i>	14.05.2012 → 31.12.2014	2
1	1567103-0444	DRIVHJUL 24 STAREC RADIA KOBBER UTEN DRIVR DEKK <i>Replaces 904.1082-0444</i>	14.05.2012 → 31.12.2014	2
2	SP1601744	(Rear wheel 24", Starec hub R, without handrim, Rightrun black/grey) <i>Replaces 904.1161</i>	14.05.2012 → 31.12.2014	2
3	904.1160	DRIVHJUL 24 STAREC NAV U TEN DRIVR TREAD	14.05.2012 → 31.12.2014	2
4	1554397-0407	(Rear wheel 24", Starec R, colourless, without handrim, marathon evolution)	14.05.2012 → 31.12.2014	2
4	1554397-0001	(Rear wheel 24" Starec R, chrome, without handrim, marathon evolution)	14.05.2012 → 31.12.2014	2
4	1554397-0182	(Rear wheel 24" Starec R, champagne, without handrim, marathon evolution)	01.01.2013 → 31.12.2014	2

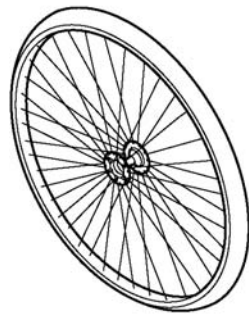
(24" Küschall rear wheels complete)

4	1554397-0183	(Rear wheel 24" Starec R, olive, without handrim, marathon evolution)	01.01.2013 → 31.12.2014	2
4	1554397-0400	(Rear wheel 24" Starec R, tecno, without handrim, marathon evolution)	14.05.2012 → 31.12.2014	2
4	1554397-0404	(Rear wheel 24" Starec R, b-blue, without handrim, marathon evolution)	14.05.2012 → 31.12.2014	2
4	1554397-0440	(Rear wheel 24" Starec R, comet red, without handrim, marathon evolution)	14.05.2012 → 31.12.2014	2
4	1554397-0441	(Rear wheel 24" Starec R, arctic blue, without handrim, marathon evolution)	14.05.2012 → 31.12.2014	2
4	1554397-0444	(Rear wheel 24" Starec R, coppfer glaze, without handrim, marathon evolution)	14.05.2012 → 31.12.2014	2
5	1567104-0407	DRIVHJUL 24 STAREC U/DRIVR U/DEKK U/FARGE <i>Replaces 1416885</i>		2
5	1567104-0001	(Rear wheel 24", Starec X, chrome, without handrim, without tyre) <i>Replaces 904.1132-0001</i>		2
5	1567104-0182	(Rear wheel 24", Starec X, champagne, without handrim, without tyre)	01.01.2013 →	2
5	1567104-0183	(Rear wheel 24" Starec X, olive, without handrim, without tyre)	01.01.2013 → 31.12.2014	2
5	1567104-0400	(Rear wheel 24" Starec X, Tecno, without handrim, without tyre) <i>Replaces 904.1132.950</i>		2
5	1567104-0404	(Rear wheel 24" Starec X, B-blue, without handrim, without tyre) <i>Replaces 904.1132.957</i>	14.05.2012 → 31.12.2014	2
5	1567104-0440	DRIVHJUL 24 STAREC COMET RØD KUN FELG <i>Replaces 904.1132-0440</i>		2
5	1567104-0441	(Rear wheel 24" Starec X, arctic blue, without handrim, without tyre) <i>Replaces 904.1132-0441</i>		2
5	1567104-0444	FELG 24 STAREC KOBBER UTEN DRIVRING <i>Replaces 904.1132-0444</i>	14.05.2012 → 31.12.2014	2
6	SP1601745	(Rear wheel 24", Starec hub X, without handrim, Rightrun black/grey tyre) <i>Replaces 1570471</i>		2
7	904.1141	DRIVHJUL 24 STAREC NAV U TEN DRIVR TREAD		2
8	1554399-0407	(Rear wheel 24", Starec X, colourless, without handrim, marathon evolution)		2
8	1554399-0001	(Rear wheel 24" Starec X, chrome, without handrim, marathon evolution)		2
8	1554399-0182	(Rear wheel 24" Starec X, champagne, without handrim, marathon evolution)	01.01.2013 →	2
8	1554399-0183	(Rear wheel 24" Starec X, olive, without handrim, marathon evolution)	01.01.2013 → 31.12.2014	2
8	1554399-0400	(Rear wheel 24" Starec X, tecno, without handrim, marathon evolution)		2
8	1554399-0404	(Rear wheel 24" Starec X, b-blue, without handrim, marathon evolution)	14.05.2012 → 31.12.2014	2
8	1554399-0440	(Rear wheel 24" Starec X, comet red, without handrim, marathon evolution)		2
8	1554399-0441	(Rear wheel 24" Starec X, arctic blue, without handrim, marathon evolution)		2
8	1554399-0444	(Rear wheel 24" Starec X, coppfer glaze, without handrim, marathon evolution)	14.05.2012 → 31.12.2014	2
9	SP1601865	(Rear wheel 24", Starec hub R, handrim aluminium black, Rightrun black/grey) <i>Replaces 1562661</i>	14.05.2012 → 31.12.2014	2
10	1562662	(Rear wheel 24", Starec hub R, handrim aluminium black, Tread)	14.05.2012 → 31.12.2014	2
11	1554398-0407	(Rear wheel 24", Starec R, colourless, handrim, marathon evolution)	14.05.2012 → 31.12.2014	2
11	1554398-0001	(Rear wheel 24" Starec R, chrome, handrim, marathon evolution)	14.05.2012 → 31.12.2014	2
11	1554398-0182	(Rear wheel 24" Starec R, champagne, handrim, marathon evolution)	01.01.2013 → 31.12.2014	2
11	1554398-0183	(Rear wheel 24" Starec R, olive, handrim, marathon evolution)	01.01.2013 → 31.12.2014	2

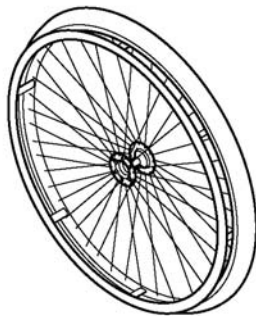
(24" Küschall rear wheels complete)

11	1554398-0400	(Rear wheel 24" Starec R, tecno, handrim, marathon evolution)	14.05.2012 → 31.12.2014	2
11	1554398-0404	(Rear wheel 24" Starec R, b-blue, handrim, marathon evolution)	14.05.2012 → 31.12.2014	2
11	1554398-0440	(Rear wheel 24" Starec R, comet red, handrim, marathon evolution)	14.05.2012 → 31.12.2014	2
11	1554398-0441	(Rear wheel 24" Starec R, arctic blue, handrim, marathon evolution)	14.05.2012 → 31.12.2014	2
11	1554398-0444	(Rear wheel 24" Starec R, copper glaze, handrim, marathon evolution)	14.05.2012 → 31.12.2014	2
12	SP1601864	(Rear wheel 24", Starec hub X, handrim aluminium black, Righrun black/grey) <i>Replaces 1562659</i>		2
13	1562660	(Rear wheel 24", Starec hub X, handrim aluminium black, Tread)		2
14	1554400-0407	(Rear wheel 24", Starec X, colourless, handrim, marathon evolution)		2
14	1554400-0001	(Rear wheel 24" Starec X, chrome, handrim, marathon evolution)		2
14	1554400-0182	(Rear wheel 24" Starec X, champagne, handrim, marathon evolution)	01.01.2013 →	2
14	1554400-0183	(Rear wheel 24" Starec X, olive, handrim, marathon evolution)	01.01.2013 → 31.12.2014	2
14	1554400-0400	(Rear wheel 24" Starec X, tecno, handrim, marathon evolution)		2
14	1554400-0404	(Rear wheel 24" Starec X, b-blue, handrim, marathon evolution)	14.05.2012 → 31.12.2014	2
14	1554400-0440	(Rear wheel 24" Starec X, comet red, handrim, marathon evolution)		2
14	1554400-0441	(Rear wheel 24" Starec X, arctic blue, handrim, marathon evolution)		2
14	1554400-0444	(Rear wheel 24" Starec X, copper glaze, handrim, marathon evolution)	14.05.2012 → 31.12.2014	2
15	1571073	(Spokereflection, pair) <i>Replaces 220.1033</i>		1
16	1579084	(Spokes 238mm complete, kit 10 Pcs.)	14.05.2012 → 31.12.2014	1
17	1579086	(Spokes 253mm complete, kit 10 Pcs.)		1

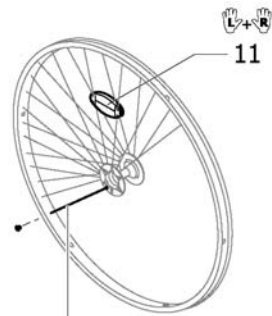
(26" Küschall rear wheels complete)



	no tyre		
	1	2	3
	4	5	6



	no tyre		
	-	7	8
	-	9	10



	10 Pcs.
	12
	13

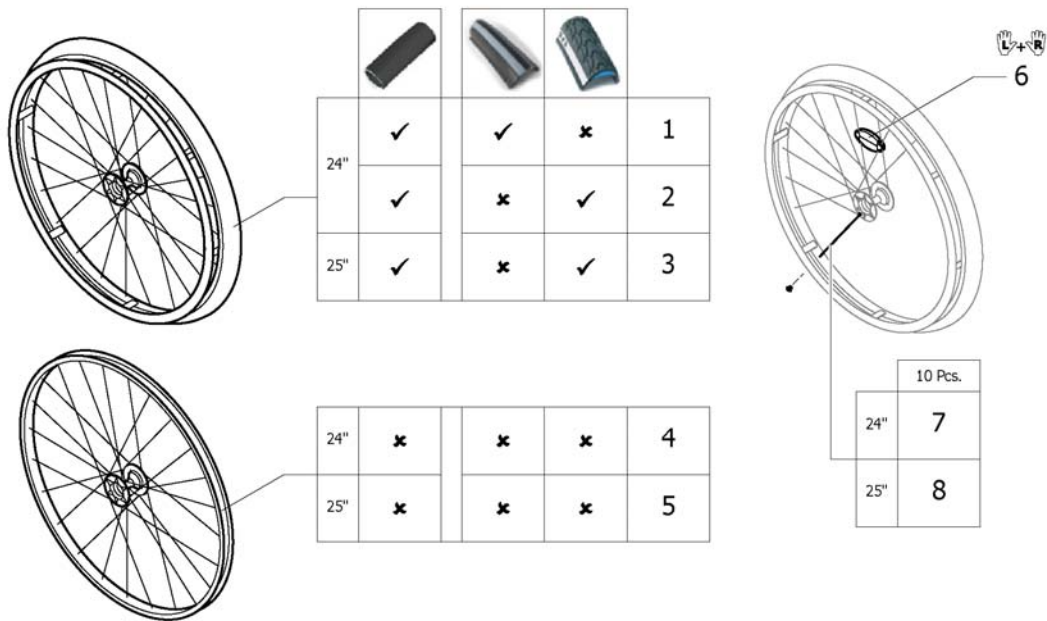
1	1567098-0407	(Rear wheel 26" Starec R, colourless, without handrim, without tyre) <i>Replaces 904.1083</i>	14.05.2012 → 31.12.2014	2
1	1567098-0001	(Rear wheel 26" Starec R, chrome, without handrim, without tyre) <i>Replaces 904.1083-0001</i>	14.05.2012 → 31.12.2014	2
1	1567098-0182	(Rear wheel 26" Starec R, champagne, without handrim, without tyre)	01.01.2013 → 31.12.2014	2
1	1567098-0183	(Rear wheel 26" Starec R, olive, without handrim, without tyre)	01.01.2013 → 31.12.2014	2
1	1567098-0400	(Rear wheel 26" Starec R, tecno, without handrim, without tyre) <i>Replaces 904.1083.950</i>	14.05.2012 → 31.12.2014	2
1	1567098-0404	(Rear wheel 26" Starec R, b-blue, without handrim, without tyre) <i>Replaces 904.1083.957</i>	14.05.2012 → 31.12.2014	2
1	1567098-0440	(Rear wheel 26" Starec R, comet red, without handrim, without tyre) <i>Replaces 904.1083-0440</i>	14.05.2012 → 31.12.2014	2
1	1567098-0441	(Rear wheel 26" Starec R, arctic blue, without handrim, without tyre) <i>Replaces 904.1083-0441</i>	14.05.2012 → 31.12.2014	2
1	1567098-0444	(Rear wheel 26" Starec R, copper glaze, without handrim, without tyre) <i>Replaces 904.1083-0444</i>	14.05.2012 → 31.12.2014	2
2	SP1601748	(Rear wheel 26", Starec hub R, without handrim, Rightrun black/grey) <i>Replaces 904.1196</i>	14.05.2012 → 31.12.2014	2
3	1554401-0407	(Rear wheel 26", Starec R, colourless, without handrim, marathon evolution)	14.05.2012 → 31.12.2014	2
3	1554401-0001	(Rear wheel 26" Starec R, chrome, without handrim, marathon evolution)	14.05.2012 → 31.12.2014	2
3	1554401-0182	(Rear wheel 26" Starec R, champagne, without handrim, marathon evolution)	01.01.2013 → 31.12.2014	2
3	1554401-0183	(Rear wheel 26" Starec R, olive, without handrim, marathon evolution)	01.01.2013 → 31.12.2014	2

(26" Küschall rear wheels complete)

3	1554401-0400	(Rear wheel 26" Starec R, tecno, without handrim, marathon evolution)	14.05.2012 → 31.12.2014	2
3	1554401-0404	(Rear wheel 26" Starec R, b-blue, without handrim, marathon evolution)	14.05.2012 → 31.12.2014	2
3	1554401-0440	(Rear wheel 26" Starec R, comet red, without handrim, marathon evolution)	14.05.2012 → 31.12.2014	2
3	1554401-0441	(Rear wheel 26" Starec R, arctic blue, without handrim, marathon evolution)	14.05.2012 → 31.12.2014	2
3	1554401-0444	(Rear wheel 26" Starec R, copper glaze, without handrim, marathon evolution)	14.05.2012 → 31.12.2014	2
4	1567099-0407	DRIVHJUL 26 STAREC NAV UTEN DRIVRING OG DEKK <i>Replaces 904.1133</i>		2
4	1567099-0001	(Rear wheel 26", Starec X, chrome, without handrim, without tyre) <i>Replaces 904.1133-0001</i>		2
4	1567099-0182	(Rear wheel 26", Starec X, champagne, without handrim, without tyre)	01.01.2013 →	2
4	1567099-0183	(Rear wheel 26" Starec X, olive, without handrim, without tyre)	01.01.2013 → 31.12.2014	2
4	1567099-0400	(Rear wheel 26" Starec X, Tecno, without handrim, without tyre) <i>Replaces 904.1133.950</i>		2
4	1567099-0404	(Rear wheel 26" Starec X, B-blue, without handrim, without tyre) <i>Replaces 904.1133.957</i>	14.05.2012 → 31.12.2014	2
4	1567099-0440	(Rear wheel 26" Starec X, Comet red, without handrim, without tyre) <i>Replaces 904.1133-0440</i>		2
4	1567099-0441	(Rear wheel 26" Starec X, arctic blue, without handrim, without tyre) <i>Replaces 904.1133-0441</i>		2
4	1567099-0444	(Rear wheel 26" Starec X, copper glaze, without handrim, without tyre) <i>Replaces 904.1133-0444</i>	14.05.2012 → 31.12.2014	2
5	SP1601749	(Rear wheel 26", Starec hub X, without handrim, Rightrun black/grey) <i>Replaces 904.1190</i>		2
6	1554403-0407	(Rear wheel 26", Starec X, colourless, without handrim, marathon evolution)		2
6	1554403-0001	(Rear wheel 26" Starec X, chrome, without handrim, marathon evolution)		2
6	1554403-0182	(Rear wheel 26" Starec X, champagne, without handrim, marathon evolution)	01.01.2013 →	2
6	1554403-0183	(Rear wheel 26" Starec X, olive, without handrim, marathon evolution)	01.01.2013 → 31.12.2014	2
6	1554403-0400	(Rear wheel 26" Starec X, tecno, without handrim, marathon evolution)		2
6	1554403-0404	(Rear wheel 26" Starec X, b-blue, without handrim, marathon evolution)	14.05.2012 → 31.12.2014	2
6	1554403-0440	(Rear wheel 26" Starec X, comet red, without handrim, marathon evolution)		2
6	1554403-0441	(Rear wheel 26" Starec X, arctic blue, without handrim, marathon evolution)		2
6	1554403-0444	(Rear wheel 26" Starec X, copper glaze, without handrim, marathon evolution)	14.05.2012 → 31.12.2014	2
7	SP1601867	(Rear wheel 26", Starec hub R, handrim aluminium black, Rightrun black/grey) <i>Replaces 1562664</i>	14.05.2012 → 31.12.2014	2
8	1554402-0407	(Rear wheel 26", Starec R, colourless, handrim, marathon evolution)	14.05.2012 → 31.12.2014	2
8	1554402-0001	(Rear wheel 26" Starec R, chrome, handrim, marathon evolution)	14.05.2012 → 31.12.2014	2
8	1554402-0182	(Rear wheel 26" Starec R, champagne, handrim, marathon evolution)	01.01.2013 → 31.12.2014	2
8	1554402-0183	(Rear wheel 26" Starec R, olive, handrim, marathon evolution)	01.01.2013 → 31.12.2014	2
8	1554402-0400	(Rear wheel 26" Starec R, tecno, handrim, marathon evolution)	14.05.2012 → 31.12.2014	2
8	1554402-0404	(Rear wheel 26" Starec R, b-blue, handrim, marathon evolution)	14.05.2012 → 31.12.2014	2

(26" Küschall rear wheels complete)

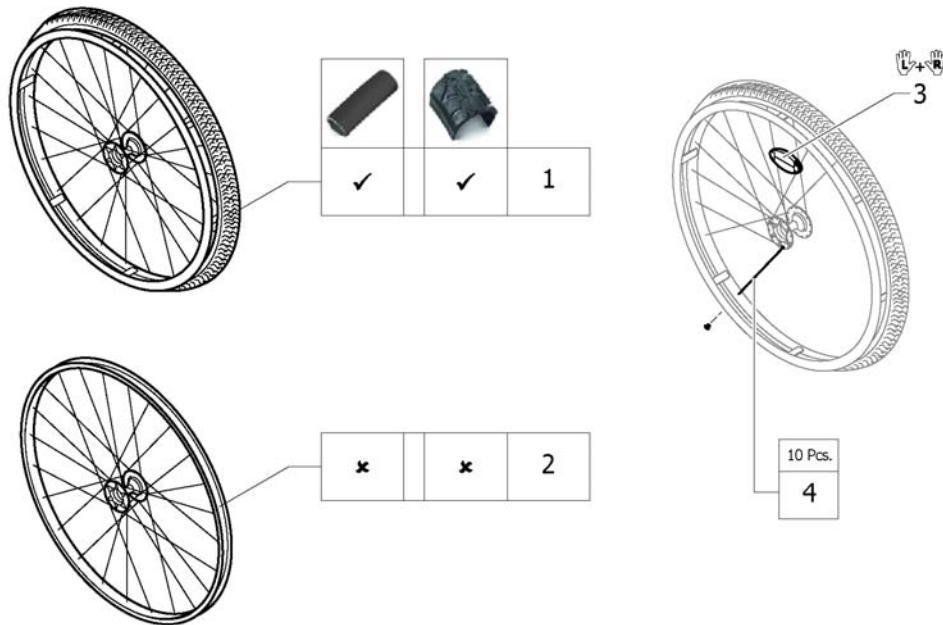
8	1554402-0440	(Rear wheel 26" Starec R, comet red, handrim, marathon evolution)	14.05.2012 → 31.12.2014	2
8	1554402-0441	(Rear wheel 26" Starec R, arctic blue, handrim, marathon evolution)	14.05.2012 → 31.12.2014	2
8	1554402-0444	(Rear wheel 26" Starec R, copper glaze, handrim, marathon evolution)	14.05.2012 → 31.12.2014	2
9	SP1601866	(Rear wheel 26", Starec hub X, handrim aluminium black, Rightrun black/grey) <i>Replaces 1562663</i>		2
10	1554417-0407	(Rear wheel 26", Starec X, colourless, handrim, marathon evolution)		2
10	1554417-0001	DRIVHJUL 26 STAREC CHROM DRIVR ALU MARATON DEKK		2
10	1554417-0182	(Rear wheel 26" Starec X, champagne, handrim, marathon evolution)	01.01.2013 →	2
10	1554417-0183	(Rear wheel 26" Starec X, olive, handrim, marathon evolution)	01.01.2013 → 31.12.2014	2
10	1554417-0400	(Rear wheel 26" Starec X, tecno, handrim, marathon evolution)		2
10	1554417-0404	(Rear wheel 26" Starec X, b-blue, handrim, marathon evolution)	14.05.2012 → 31.12.2014	2
10	1554417-0440	(Rear wheel 26" Starec X, comet red, handrim, marathon evolution)		2
10	1554417-0441	(Rear wheel 26" Starec X, arctic blue, handrim, marathon evolution)		2
10	1554417-0444	(Rear wheel 26" Starec X, copper glaze, handrim, marathon evolution)	14.05.2012 → 31.12.2014	2
11	1571073	(Spokereflection, pair) <i>Replaces 220.1033</i>		1
12	1579089	(Spokes 262mm complete, kit 10 Pcs.)	14.05.2012 → 31.12.2014	1
13	1579090	(Spokes 278mm complete, kit 10 Pcs.)		1



1	SP1601752-0004	(Rear wheel 24" High Performance black anodized, handrim alu black, Rightrun black/grey) <i>Replaces 1562668-0004</i>		2
1	SP1601752-0001	(Rear wheel 24" High Performance chrome, handrim alu black, Rightrun black/ grey) <i>Replaces 1562668-0001</i>		2
1	SP1601752-0182	(Rear wheel 24" High Performance champagne, handrim alu black, Rightrun black/grey) <i>Replaces 1562668-0182</i>	01.01.2013 →	2
1	SP1601752-0183	(Rear wheel 24" High Performance olive, handrim alu black, Rightrun black/ grey) <i>Replaces 1562668-0183</i>	01.01.2013 → 31.12.2014	2
1	SP1601752-0400	(Rear wheel 24" High Performance techno-anthracite, handrim alu black, Rightrun black/grey) <i>Replaces 1562668-0400</i>		2
1	SP1601752-0404	(Rear wheel 24" High Performance b-blue, handrim alu black, Rightrun black/ grey) <i>Replaces 1562668-0404</i>	14.05.2012 → 31.12.2014	2
1	SP1601752-0440	(Rear wheel 24" High Performance comet red, handrim alu black, Rightrun black/grey) <i>Replaces 1562668-0440</i>		2
1	SP1601752-0441	(Rear wheel 24" High Performance arctic blue, handrim alu black, Rightrun black/grey) <i>Replaces 1562668-0441</i>		2
1	SP1601752-0444	(Rear wheel 24" High Performance copper glaze, handrim alu black, Rightrun black/grey) <i>Replaces 1562668-0444</i>	14.05.2012 → 31.12.2014	2
2	1562670-0004	(Wheel 24", High Performance, black, handrim aluminium black, tyre Marathon Evolution)		2
2	1562670-0001	(Wheel 24", High Performance, chrome, handrim aluminium black, tyre Marathon Evolution)		2
2	1562670-0182	(Wheel 24", High Performance, champagne, handrim aluminium black, tyre Marathon Evolution)	01.01.2013 →	2
2	1562670-0183	(Wheel 24", High Performance, olive, handrim aluminium black, tyre Marathon Evolution)	01.01.2013 → 31.12.2014	2
2	1562670-0400	(Wheel 24", High Performance, techno-anthracite, handrim aluminium black, tyre Marathon Evolution)		2

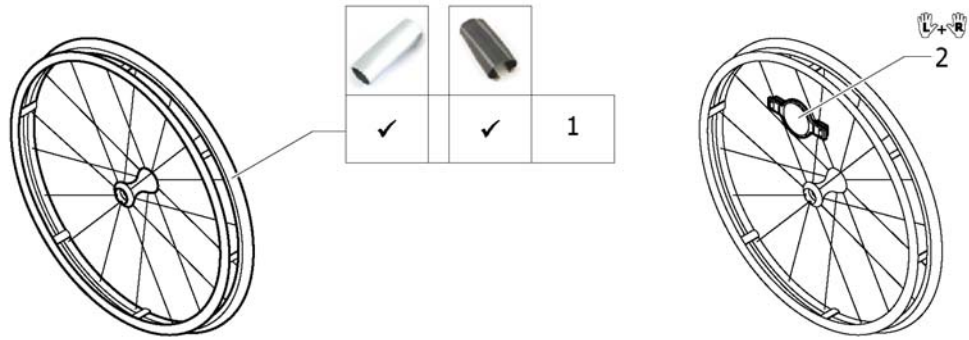
(High Performance wheel)

2	1562670-0404	(Wheel 24", High Performance, b-blue, handrim aluminium black, tyre Marathon Evolution)	14.05.2012 → 31.12.2014	2
2	1562670-0440	(Wheel 24", High Performance, comet red, handrim aluminium black, tyre Marathon Evolution)		2
2	1562670-0441	(Wheel 24", High Performance, arctic blue, handrim aluminium black, tyre Marathon Evolution)		2
2	1562670-0444	(Wheel 24", High Performance, copper glaze, handrim aluminium black, tyre Marathon Evolution)	14.05.2012 → 31.12.2014	2
3	1562669-0004	(Wheel 25", High Performance, black, handrim aluminium black, tyre Marathon Evolution)		2
3	1562669-0001	(Wheel 25", High Performance, chrome, handrim aluminium black, tyre Marathon Evolution)		2
3	1562669-0182	(Wheel 25", High Performance, champagne, handrim aluminium black, tyre Marathon Evolution)	01.01.2013 →	2
3	1562669-0183	(Wheel 25", High Performance, olive, handrim aluminium black, tyre Marathon Evolution)	01.01.2013 → 31.12.2014	2
3	1562669-0400	(Wheel 25", High Performance, techno-anthracite, handrim aluminium black, tyre Marathon Evolution)		2
3	1562669-0404	(Wheel 25", High Performance, b-blue, handrim aluminium black, tyre Marathon Evolution)	14.05.2012 → 31.12.2014	2
3	1562669-0440	(Wheel 25", High Performance, comet red, handrim aluminium black, tyre Marathon Evolution)		2
3	1562669-0441	(Wheel 25", High Performance, arctic blue, handrim aluminium black, tyre Marathon Evolution)		2
3	1562669-0444	(Wheel 25", High Performance, copper glaze, handrim aluminium black, tyre Marathon Evolution)	14.05.2012 → 31.12.2014	2
4	1517723-0004	DRIVHJUL 24 HØY PERMANCE SVART UTEN DEKK OG DRIVR		2
4	1517723-0001	(Wheel 24", High Performance, chrome, without handrim, without tyre)		2
4	1517723-0182	(Wheel 24", High Performance, champagne, without handrim, without tyre)	01.01.2013 →	2
4	1517723-0183	(Wheel 24", High Performance, olive, without handrim, without tyre)	01.01.2013 → 31.12.2014	2
4	1517723-0400	(Wheel 24", High Performance, techno-anthracite, without handrim, without tyre)		2
4	1517723-0404	DRIVHJUL 24 HØY PERMANCE B-BLÅ UTEN DRIVRING UTE	14.05.2012 → 31.12.2014	2
4	1517723-0440	DRIVHJUL 24 HØY PERMANCE COMET RØD UTEN DRIVRING		2
4	1517723-0441	(Wheel 24", High Performance, arctic blue, without handrim, without tyre)		2
4	1517723-0444	DRIVHJUL 24 HØY PERMANCE COPPER GLAZE UTEN DRIVR	14.05.2012 → 31.12.2014	2
5	1562937-0004	(Wheel 25", High Performance, black, without handrim, without tyre)		2
5	1562937-0001	(Wheel 25", High Performance, chrome, without handrim, without tyre)		2
5	1562937-0182	(Wheel 25", High Performance, champagne, without handrim, without tyre)	01.01.2013 →	2
5	1562937-0183	(Wheel 25", High Performance, olive, without handrim, without tyre)	01.01.2013 → 31.12.2014	2
5	1562937-0400	(Wheel 25", High Performance, techno-anthrac., without handrim, without tyre)		2
5	1562937-0404	(Wheel 25", High Performance, b-blue, without handrim, without tyre)	14.05.2012 → 31.12.2014	2
5	1562937-0440	(Wheel 25", High Performance, comet red, without handrim, without tyre)		2
5	1562937-0441	(Wheel 25", High Performance, arctic blue, without handrim, without tyre)		2
5	1562937-0444	(Wheel 25", High Performance, copper glaze, without handrim, without tyre)	14.05.2012 → 31.12.2014	2
6	1571073	(Spokereflection, pair) <i>Replaces 220.1033</i>		1
7	1578867	(Spokes kit for High Performance wheel 24", 10 Pcs.)		1
8	1578868	(Spokes kit for High Performance wheel 25", 10 Pcs.)		1

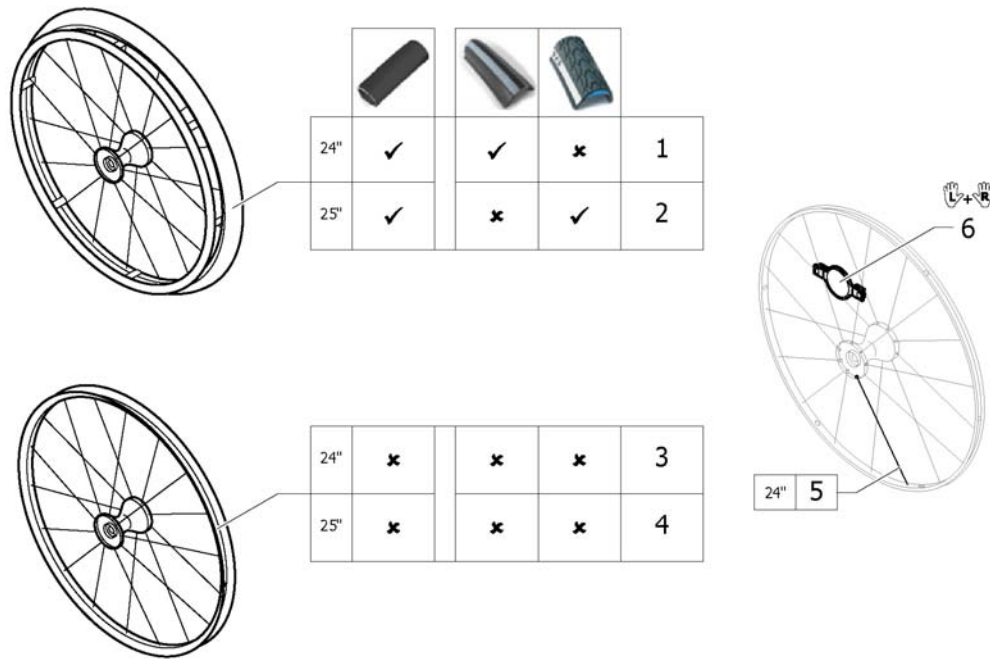


1	1562665	(Rear wheel 24", Mountain Bike, handrim aluminium black, tyre MTB)	2
2	1529327	(Rear wheel Mountain Bike 24", without handrim, without tyre)	2
3	1571073	(Spokereflection, pair) <i>Replaces 220.1033</i>	1
4	1579085	(Spokes kit for Mountain Bike wheel, 10 Pcs.)	1

Küschall® Advance | (REAR WHEELS)
(Ultra-light fibre wheel)

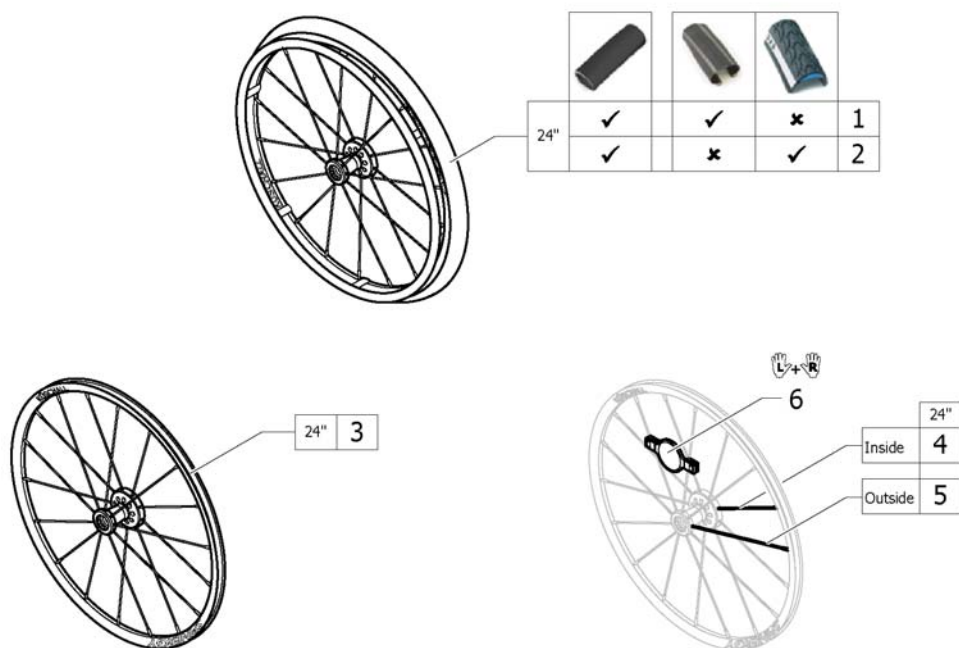


1	1578804	DRIVHJUL 24 ULTRA-LIGHT FIBER HJUL M ULTREMOM DEK <i>Replaces 1547628</i>	20.11.2013 → 31.12.2013	2
2	1571088	(Spoke reflection for Spinergy wheel, pair) <i>Replaces 1451931</i>		1

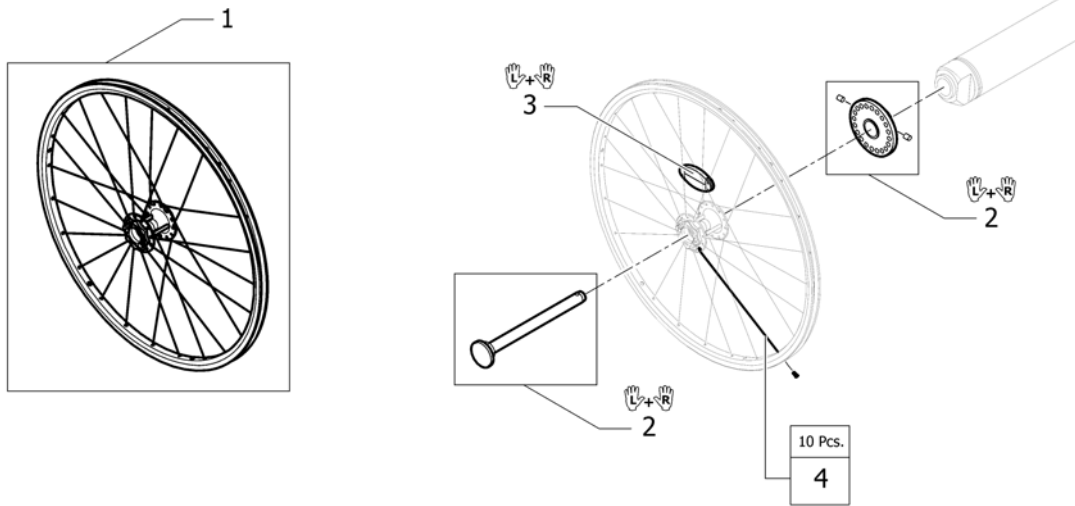


1	SP1601753	(Rear wheel 24" Spinergy, handrim alu black, Rightrun black/grey) <i>Replaces 1562666</i>	14.05.2012 → 31.12.2013	2
2	1562667	(Rear wheel 25", Spinergy, handrim aluminium black, tyre Mararthon Evolution)	14.05.2012 → 31.12.2013	2
3	1570426	DRIVHJUL 24 SPINERGY KUN FELG	14.05.2012 → 31.12.2013	2
4	1525128	DRIVHJUL SPINERGY 25" KUSCHALL	14.05.2012 → 31.12.2013	2
5	1579092	(Spoke for Spinergy wheel 24", 1 Pcs.)	14.05.2012 → 31.12.2013	36
6	1571088	(Spoke reflection for Spinergy wheel, pair) <i>Replaces 1451931</i>	14.05.2012 → 31.12.2013	2

(Spinergy LXX wheel)










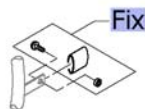
1	1579101	(Rear wheel 24", Spinergy LXX, handrim aluminium black, tyre Schwalbe One)	2
2	1579105	(Rear wheel 24", Spinergy LXX, handrim aluminium black, tyre Marathon Evolution)	2
3	1579102	DRIVHJUL 24 Spinergy LXX UTEN DEKK OG DRIVRING	2
4	1579103	(Spoke inside for Spinergy LXX wheel 24", 236mm., 1 Pcs.)	9
5	1579104	(Spoke outside for Spinergy LXX wheel 24", 249mm., 1 Pcs.)	9
6	1571088	(Spoke reflection for Spinergy wheel, pair)	1



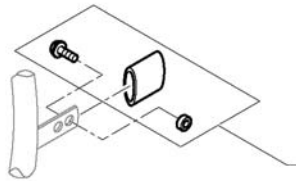
1	1570645	(Hub brake wheel 24" without handrim, without tyre)	2
2	1570651	(Mounting kit with Quickrelease for Hub brake, pair)	1
3	1571073	(Spokereflection, pair) <i>Replaces 220.1033</i>	1
4	1579088	(Spokes kit for Hub brake wheel 24", 10 Pcs.)	1

(Handrim)

		3cm		4cm				3cm		4cm		3cm		4cm		3cm		4cm	
		22"	24"	25"	26"	22"	24"	25"	26"	24"	24"	26"	22"	24"	26"	24"	25"		
 Küschall wheel	3cm	-	-	-	-	5	6	7	8	9	10	11	12	13	14	15	16		
	4cm	1	2	3	4	-	-	-	-	-	-	-	12	13	14	15	16		
 High Performance	3cm	-	-	-	-	6	7	-	-	9	10	-	-	-	13	-	15	16	
	4cm	-	2	3	-	-	-	-	-	-	-	-	-	-	13	-	15	16	
 Mountainbike	3cm	-	-	-	-	5	-	-	-	-	-	-	12	-	-	-	-		
	4cm	1	-	-	-	-	-	-	-	-	-	-	12	-	-	-	-		
 Spinerogy	3cm	-	-	-	-	6	7	-	-	9	10	-	-	13	-	15	16		
	4cm	-	2	3	-	-	-	-	-	-	-	-	-	13	-	15	16		
 Spinerogy LXX	3cm	-	-	-	-	6	-	-	-	9	10	-	-	13	-	15	-		
	4cm	-	2	-	-	-	-	-	-	-	-	-	-	13	-	15	-		
 Ultra Light Fibre	3cm	-	-	-	-	6	-	-	-	9	10	-	-	13	-	15	-		
	4cm	-	2	-	-	-	-	-	-	-	-	-	-	13	-	15	-		
 Hub brake wheel	3cm	-	-	-	-	6	-	-	-	9	10	-	-	13	-	15	-		
	4cm	-	2	-	-	-	-	-	-	-	-	-	-	13	-	15	-		



Fix	-	(Fixation handrim)	1
1	1568700	(Handrim 22" Alu, 4cm) <i>Replaces 457.1023</i>	2
2	1568702	DRIVRING 24 ELOKSERT STD KUSCHALL <i>Replaces 1432287-0005</i>	2
3	1568708	DRIVRING 26 ALU LETT HIG Performance 4cm <i>Replaces 1420890-0005</i>	2
4	1568709	DRIVRING 26 ALU ELOKSERT KUSCHALL <i>Replaces 457.1043</i>	2
5	1568713-0411	(Handrim 22" Aluminium, black, distance 3cm)	2
6	1568714-0411	DRIVRING 24 SORT LAKK ALU 3CM DISTANSE	2
7	1568730-0411	(Handrim 25" Aluminium, black, distance 3cm)	2
8	1568731-0411	(Handrim 26" Aluminium, black, distance 3cm)	2
9	1568716	(Handrim 24" Titanium, distance 3cm)	2
10	1568715	DRIVRING 24 STÅL 3CM DIST	2
11	1568777	DRIVRING 26 STÅL 3CM DIST	2
12	1568701	(Handrim 22" Super-Grip) <i>Replaces 457.1045.429</i>	2
13	1568703	DRIVRING 24 SUPERGRIP KUSCHALL <i>Replaces 457.1017.429</i>	2
14	1568710	(Handrim 26" Super-Grip) <i>Replaces 457.1046.429</i>	2
15	1556916	DRIVRING 24 SURGE KUSCHALL	2
16	1556917	DRIVRING 25 SURGE KUSCHALL	2

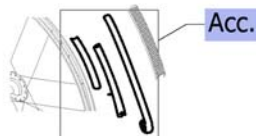


		Aluminium		Titanium		Steel		Supergrip		Surge		
	3cm											
	4cm											
	3cm	-	-	1	1	1	1	1	1	1	3	3
	4cm	2	3	-	-	-	-	-	-	-	-	-
	3cm	-	-	4	4	4	4	4	4	4	6	4
	4cm	5	6	-	-	-	-	-	-	-	-	-
	3cm	-	-	7	7	-	-	-	7	7	-	-
	4cm	8	9	-	-	-	-	-	-	-	-	-
	3cm	-	-	7	7	-	7	-	7	-	9	-
	4cm	8	-	-	-	-	-	-	-	-	-	-
	3cm	-	-	4	4	-	4	-	4	-	6	-
	4cm	5	-	-	-	-	-	-	-	-	-	-
	3cm	-	-	4	4	-	4	-	4	-	6	-
	4cm	5	-	-	-	-	-	-	-	-	-	-
	3cm	4	4	4	4	4	4	4	4	4	6	4
	4cm	5	6	-	-	-	-	-	-	-	-	-

1	1495958	FESTESETT DRIVRING 3CM KUSHALL	2
2	1495959	DRIVRINGSFESTE KIT STD KUSCGHALL HJUL 4CM	2
3	1495961	(Fixation kit handrim, 4 cm with spokes guard)	2
4	1496019	FIKSERINGSKIT FOR DRIVRING HIGH PERFORM 3	2
5	1496020	(Fixation kit handrim for High Performance wheel, 4 cm)	2
6	1497111	(Fixation kit handrim for High Performance wheel, 4 cm with spokes guard)	2
7	1496015	(Fixation kit handrim for Mountain bike wheel, 3 cm)	2
8	1496016	(Fixation kit handrim for Mountain bike wheel, 4 cm)	2
9	1496018	(Fixation kit handrim for Mountain bike wheel, 4 cm with spokes guard)	2

(Tyre)

	22"		24"		25"		26"		24"		25"		24"		
 Küschall Räder	1	4	-	14	2	5	6	-	15	7	-	8	-	3	10
 High Performance	-	4	11	-	-	5	6	12	-	7	13	8	-	-	-
 Mountainbike	-	-	-	-	-	-	-	-	-	-	-	-	9	-	-
 Spinerger	-	4	11	-	-	5	6	12	-	7	13	8	-	-	-
 Spinerger LXX	-	4	-	-	-	5	6	-	-	7	-	8	-	-	-
 Ultra Light Fibre	-	-	-	-	-	-	6	-	-	7	-	-	-	-	-
 Hub brake wheel	-	4	-	-	-	5	6	-	-	7	-	8	-	-	10


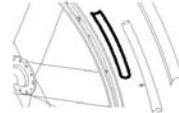



Acc.	-	(Inner tube and rim protector)	1
1	SP1590117	(Tyre Rightrun black/grey 22") <i>Replaces 1570776</i>	29.12.2015 → 2
2	1570836	DEKK 22 Profil LUFT KUSCHALL <i>Replaces 1493768</i>	14.05.2012 → 31.12.2013 2
3	1570837	DEKK 22 pkt fri light grå <i>Replaces 728.1031</i>	14.05.2012 → 31.12.2013 2
4	SP1590118	DEKK 24 Rightrun SORT/GRÅ KUSCHALL <i>Replaces 1570828</i>	29.12.2015 → 2
5	1570829	DEKK 24 PROFILERT 7 BAR KUSCHALL <i>Replaces 728.1002</i>	2
6	1570838	DEKK 24 MARATHON KUSHALL PKT SIKKER <i>Replaces 1438521</i>	2
7	1578802	DEKK 24 SCWALBE SPEEDRUN 24" KUSCHALL <i>Replaces 1528649</i>	20.11.2013 → 2
8	1562581	DEKK 24" Rightrun BLÅ	2
9	1570830	DEKK 24 MOUNTAINDRIVE HJUL KUSH. ERST. 1420887 <i>Replaces 1420887</i>	2
10	1570839	DEKK 24 MASSE GRÅ R-401 FINT MØNSTER.KUSCHAL <i>Replaces 728.1032</i>	2
11	SP1590412	(Tyre Rightrun black/grey 25") <i>Replaces 1570833</i>	29.12.2015 → 2
12	1570841	(Tyre 25" Marathon Evolution) <i>Replaces 1493769</i>	2
13	1578803	(Tyre 25" Schwalbe One) <i>Replaces 1528650</i>	20.11.2013 → 2
14	SP1590119	(Tyre Rightrun black/grey 26") <i>Replaces 1570834</i>	29.12.2015 → 2
15	1570842	(Tyre 26" Marathon Evolution) <i>Replaces 1517977</i>	2

(Inner tube and rim protector)















		22"	24"	25"	26"	22"	24"	24"	25"	26"	24"	25"	24"	25"	24"	24"	22"	24"
	A	1	2	-	6	1	2	2	-	6	2	-	2	-	2	-	-	-
	B	7	8	-	10	7	8	8	-	10	8	-	8	-	8	-	7	8
	A	-	2	5	-	-	2	2	5	-	2	5	2	-	-	-	-	-
	B	-	9	9	-	-	9	9	9	-	9	9	9	-	-	-	-	-
	A	-	-	-	-	-	-	-	-	-	-	-	-	-	4	-	-	
	B	-	-	-	-	-	-	-	-	-	-	-	-	-	7	-	-	
	A	-	2	5	-	-	2	2	5	-	2	5	2	-	-	-	-	
	B	-	9	9	-	-	9	9	9	-	9	9	9	-	-	-	9	
	A	-	2	-	-	-	2	2	-	-	2	-	2	-	-	-	-	
	B	-	9	-	-	-	9	9	-	-	9	-	9	-	-	-	-	
	A	-	-	-	-	-	-	3	-	-	3	-	-	-	-	-	-	
	B	-	-	-	-	-	-	9	-	-	9	-	-	-	-	-	-	
	A	-	2	-	-	-	2	2	-	-	2	-	2	-	-	-	-	
	B	-	9	-	-	-	9	9	-	-	9	-	9	-	-	-	-	

Inner Tube (A)
Rim protector (B)

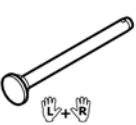
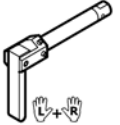







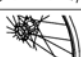
1	1570848	SLANGE 22 KUSCHALL <i>Replaces 727.1007</i>	14.05.2012 → 31.12.2013	2
2	1570849	SLANGE 24"X1 <i>Replaces 727.1002</i>		2
3	1550284	(Inner Tube 24" for Ultra-light fibre wheel)	14.05.2012 → 31.12.2013	2
4	1570852	SLANGE MOUNTAINDRIVE (47-507) ERST. 1420884 <i>Replaces 1420884</i>		2
5	1570851	(Inner tube 26" for High-Performance wheel) <i>Replaces 1430886</i>		2
6	1570850	(Inner Tube 26" x 1") <i>Replaces 727.1003</i>		2
7	1570844	(Rim protection 22") <i>Replaces 726.1005</i>		2
8	1570845	(Rim protection 24" Large) <i>Replaces 726.1008.000</i>		2
9	1495962	FELG BÄND HIGH PERFORMANCE DEKK KUSCHAL		2
10	1570846	(Rim protection 26") <i>Replaces 726.1003</i>		2
11	1571072	(Rear wheel inset anti-flat for 20,22,24,26" tyre) <i>Replaces 1424917</i>		2

(Spokes guard)

							
	22"	24"	26"	24"	24"	24"	24"
 Küschall wheel	1	2	3	4	5	6	7
 High Performance	-	2	-	4	5	6	7
 Mountainbike	1	-	-	-	-	-	-
 Spinergy	-	2	-	4	5	6	7
 Spinergy LXX	-	-	-	-	-	-	-
 Ultra Light Fibre	-	-	-	-	-	-	-
 Hub brake wheel	-	2	-	4	5	6	7

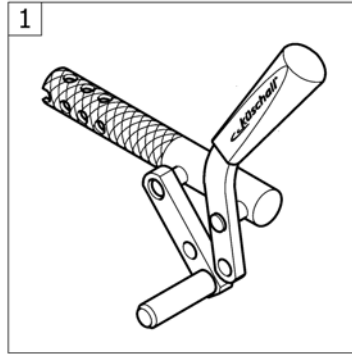
1	1564453	EIKEBESKYTTER 22 TRANSPERENT KUSCHALL <i>Replaces 736.1005</i>	2	
2	1564457	EIKEBESKYTTER 24 TRANSPERENT KUSCHALL <i>Replaces 736.1004</i>	2	
3	1564492	EIKEBESKYTTER 26 TRANSPARENT <i>Replaces 736.1003</i>	2	
4	1564456	EIKEBESKYTTER 24 SVART KUSCHALL LOGO <i>Replaces 736.1002</i>	2	
5	1564459	EIKEBESKYTTER 24" KARBON <i>Replaces 736.1014</i>	14.05.2012 → 31.12.2013	2
6	1564462	(Spokes guard Switzerland 24") <i>Replaces 1497108</i>	14.05.2012 → 30.06.2013	2
7	1564463	(Spokes guard Pirates 24") <i>Replaces 1497109</i>	14.05.2012 → 31.12.2012	2

(Quick release axle and bearing)

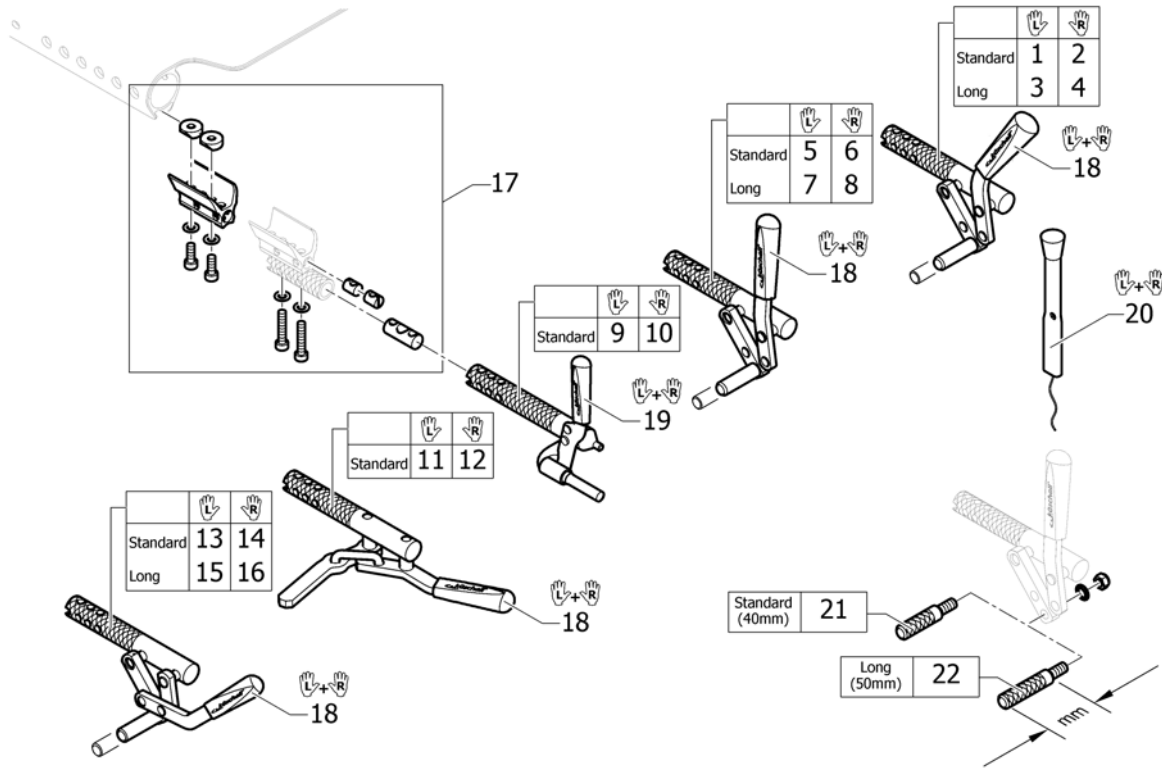
			
 Küschall wheel	1	2	6
 High Performance	1	2	6
 Mountainbike	1	2	6
 Spinergy	3	4	6
 Spinergy LXX	3	-	6
 Ultra Light Fibre	5	2	6
 Hub brake wheel	3	4	6

1	1509137-0001	(Quick release axles long with cap, pair, chrome)		1
1	1509137-0004	HURTIGKOBLINGSBOLT L 128 M SORT KNAPP KUSCHAL PAR		1
1	1509137-0182	(Quick release axles long with cap, pair, champagne)	01.01.2013 →	1
1	1509137-0183	(Quick release axles long with cap, pair, olive)	01.01.2013 → 31.12.2014	1
1	1509137-0400	HURTIGKOBLING LANG KNAPP TECNO PAR		1
1	1509137-0404	HURTIGKOBLING LANG KNAPP B-BLÅ PAR	14.05.2012 → 31.12.2014	1
1	1509137-0407	HURTIGKOBLINGSBOLT L 128 FARGELØS KNAPP KUSCH.PAR		1
1	1509137-0440	HURTIGKOBLING LANG KNAPP COMET PAR		1
1	1509137-0441	HURTIGKOBLINGSAKSEL LANG KNAPP ARCTIC PAR		1
1	1509137-0444	HURTIGKOBLINGSBOLT L 128 KOBBER KNAPP KUSCH.PAR	14.05.2012 → 31.12.2014	1
2	1493755	HURTIGKOBLINGSBOLT L 128 TETRA KUSCHALL		1
3	1507627	QR AKSEL FOR SPINERGY HJUL PAR		1
4	1512029	HURTIGKOBLINGSAKSEL HURT IGOBLING AKSEL AKSEL LA		1
5	1547629	HURTIGKOBLINGSBOLT TIL ULTRA-LETT FIBERHJUL		1
6	1571069	(Bearing R8-2RS 1/2"/1.1/8"x5/16", pair) <i>Replaces 5719103</i>		2

(BRAKES)

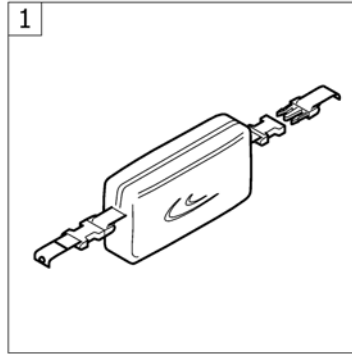


(Brakes)



1	1562583	(Brake, bent lever, left)	1
2	1562584	(Brake, bent lever, right)	1
3	1562585	(Brake, lever bent, long shoe, left)	1
4	1562586	(Brake, lever bent, long shoe, right)	1
5	1562587	(Brake, straight lever, left)	1
6	1562588	(Brake, straight lever, right)	1
7	1562589	(Brake, straight lever, long shoe, left)	1
8	1562590	(Brake, straight lever, long shoe, right)	1
9	1562591	(Performance brake left)	1
10	1562592	(Performance brake right)	1
11	1562593	(Active brake left)	1
12	1562594	(Active brake right)	1
13	1562595	(Pull brake left)	1
14	1562596	(Pull brake right)	1
15	1562597	(Pull brake, long shoe left)	1
16	1562598	(Pull brake, long shoe right)	1
17	1562599	(Clamping piece to brake, set)	2
18	1513177	HÅNDTAK BREMS PAR KUSCHALL	1
19	1513178	HÅNDTAK BREMS PERFORMANCE PAR KUSCHALL	1
20	1513179	BREMSEFORLENGER PAR KUSCHALL K-JUN COMPACT	1
21	1579328	(Brake shoe standard (40mm), kit 4 Pcs.) <i>Replaces 500.1045 (4x)</i>	1
22	1579329	(Brake shoe long (50mm), kit 4 Pcs.) <i>Replaces 500.1013 (4x)</i>	1

(SEAT ACCESSORIES)

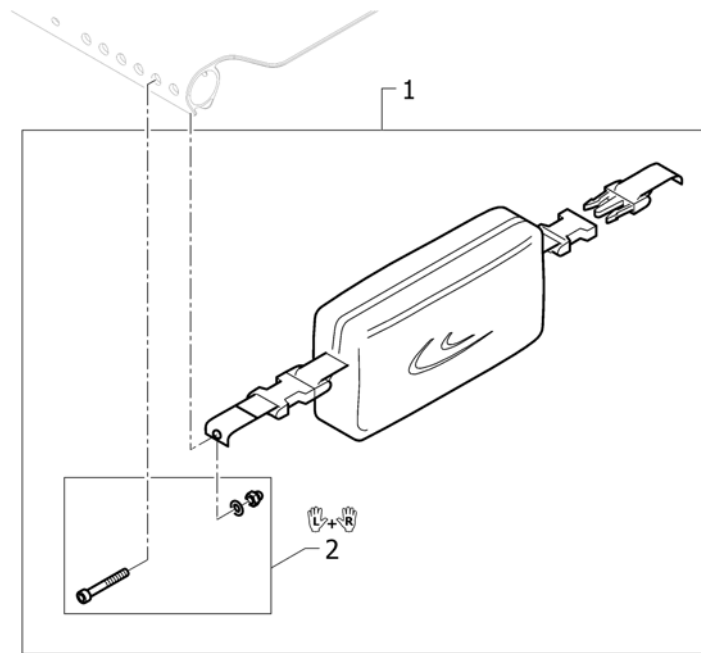


1 -

(Seat bag)

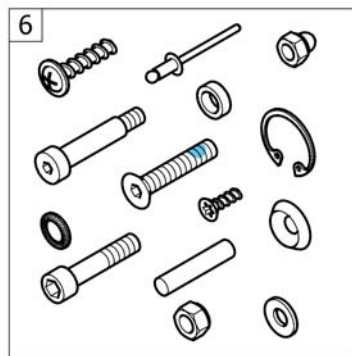
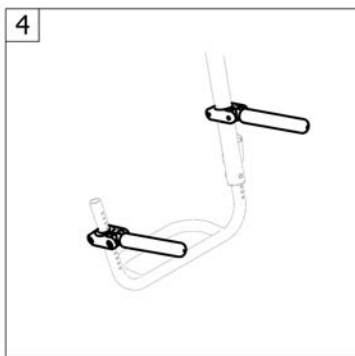
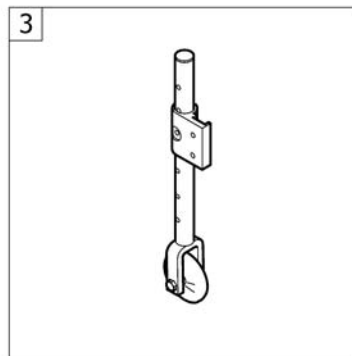
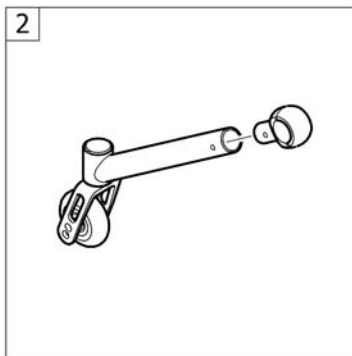
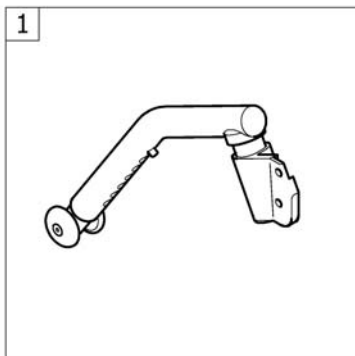
1

(Seat bag)



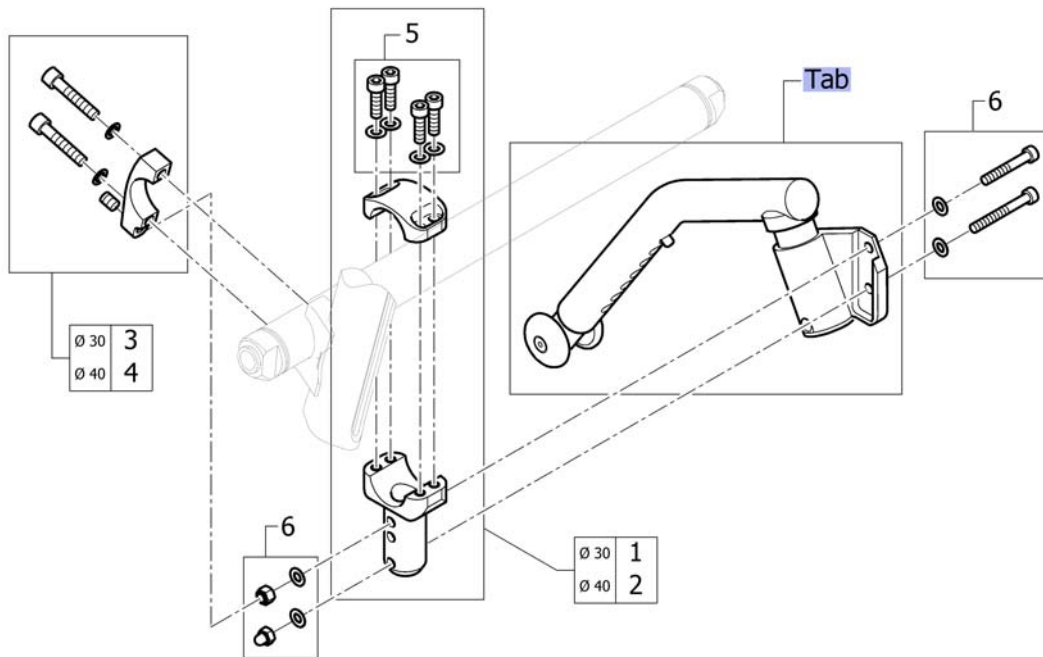
1	1562607	(Seat bag)	1
2	1562608	(Fixation kit to seat bag)	1

(OPTIONS & ACCESSORIES)



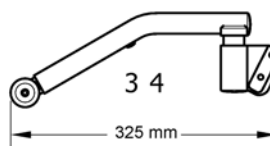
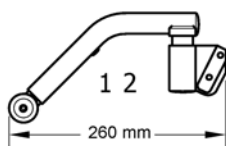
1	-	(Antitipper)	1
2	-	(Active Antitipper)	1
3	-	(Transit wheel)	1
4	-	(Luggage holder)	1
5	-	(Chair accessories)	1
6	-	(Fixation: screws, ...)	1

(Antitipper)



Tab	-	(Antitipper with configurations)	1
1	1562617	(Adaption holder for Axle Ø30, complete)	1
2	1562618	(Adaption holder for Vario-Ax Ø40, complete)	1
3	SP1590028	(Axle holder with stop for adaptation, Ø30)	1
4	SP1590029	(Axle holder with stop for adaptation, Ø40)	1
5	1562619	(Fixation kit for adaption holder)	1
6	1562621	(Fixation kit for adoptions)	1

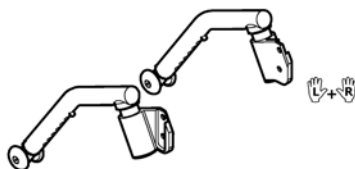
(Antitipper with configurations)



Rear wheel size	SB34	SB36 - SB46
22" - 25"	1	3
26"	-	3



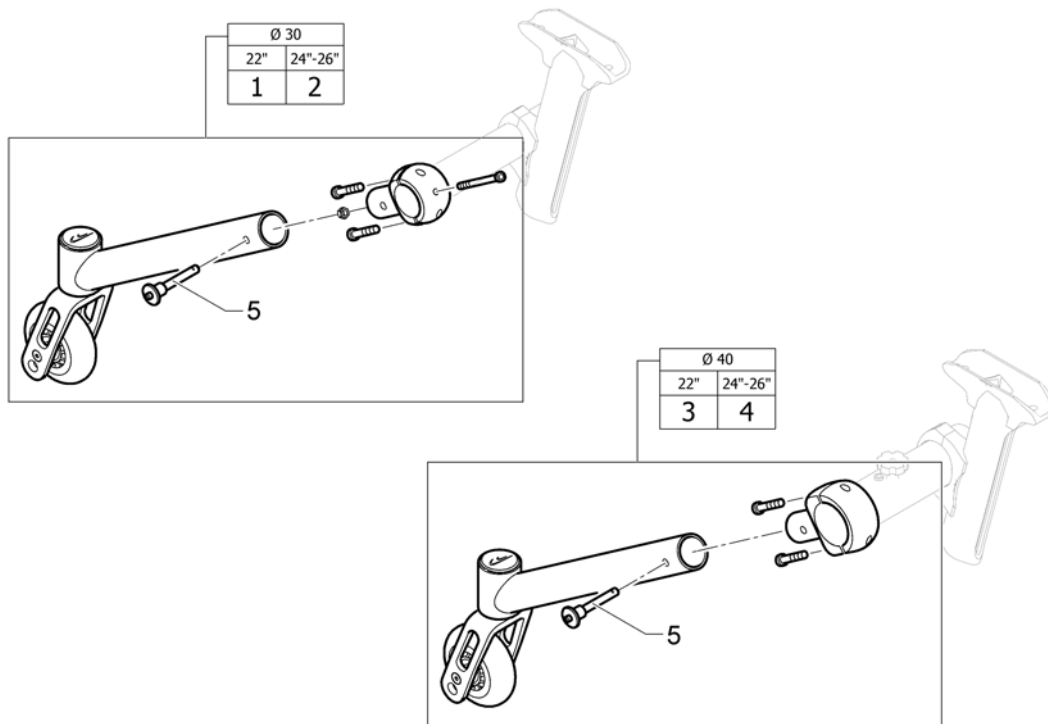
Rear wheel size	SB34	SB36 - SB46
22" - 25"	2	4
26"	-	4



Rear wheel size	SB34 - SB36	SB38 - SB46
22" - 25"	1 + 2	3 + 4
26"	-	3 + 4

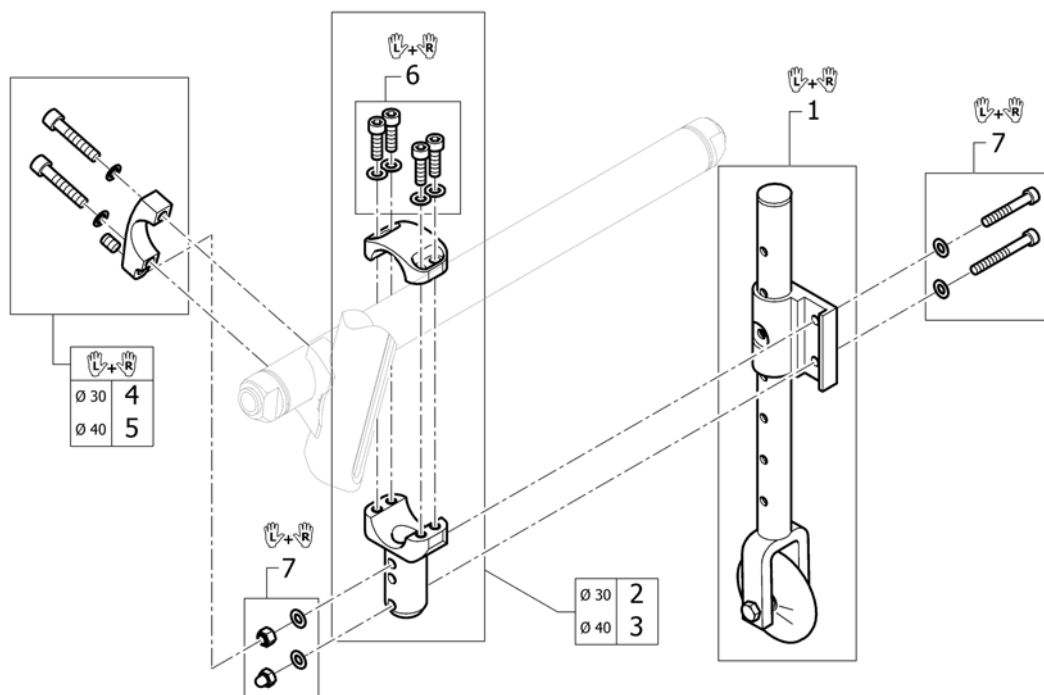
1	SP1590076	(Antitipper short left)	1
2	SP1590077	(Antitipper short right)	1
3	SP1590078	(Antitipper long left)	1
4	SP1590079	(Antitipper long right)	1

(Active Antitipper)



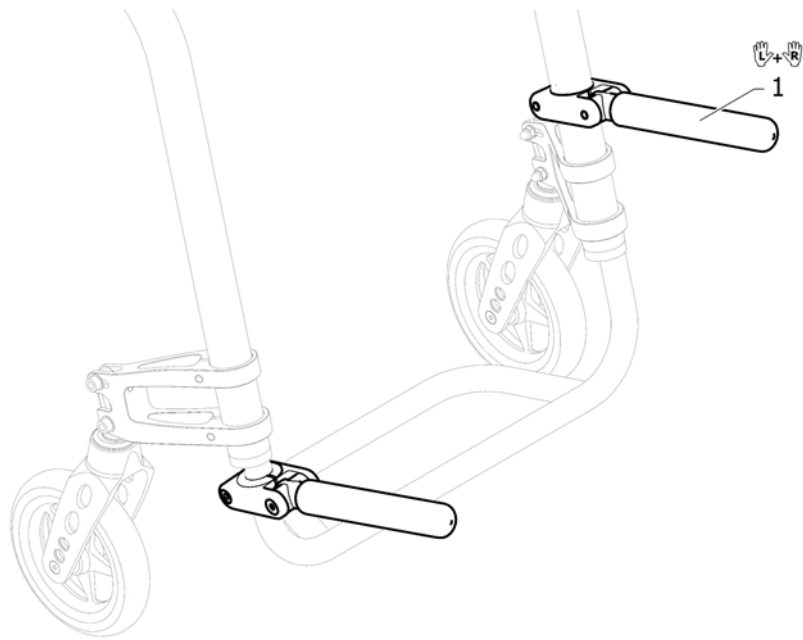
1	1517871	AKTIVA TIPPESIK, STAND AKEL 20" 22" HJUL	1
2	1517873	TIPPESIKRING AKTIV KPL FESTES PÅ STD AKSEL	1
3	1517872	(Active Antitipper, for Vario-Ax Ø40 for 20" and 22" wheels)	1
4	1517874	TIPPESIKRING AKTIV KPL FESTES PÅ VARIO-AX	1
5	1517877	QUICKPIN K-JUNIOR	1

(Transit wheel)



1	1451791	TRANSITTHJUL K_SERIE05	1
2	1562617	(Adaption holder for Axle Ø30, complete)	2
3	1562618	(Adaption holder for Vario-Ax Ø40, complete)	2
4	SP1590081	(Axle holder with stop for adaptation, Ø30, pair)	1
5	SP1590089	(Axle holder with stop for adaptation, Ø40, pair)	1
6	1562620	(Fixation kit for adaption holder, pair)	1
7	1562622	(Fixation kit for adaptations, pair)	1

(Luggage holder)

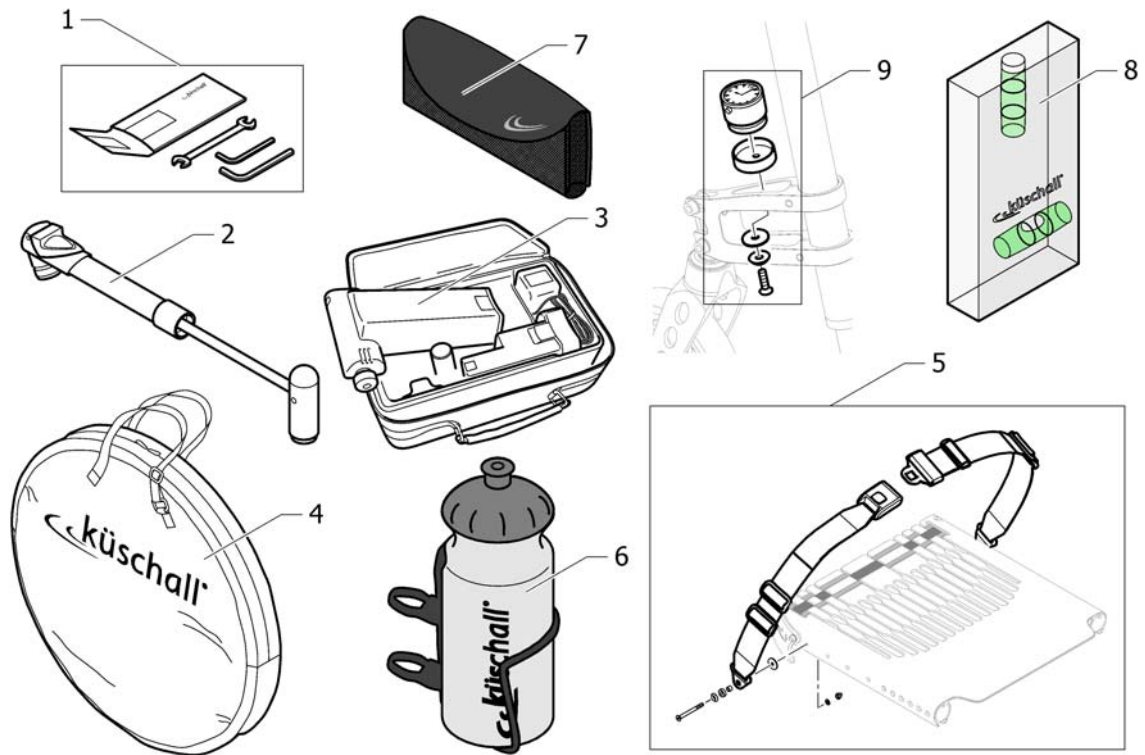


1 1547626

BAGGASJE BÆRER KUSCHALL PAR

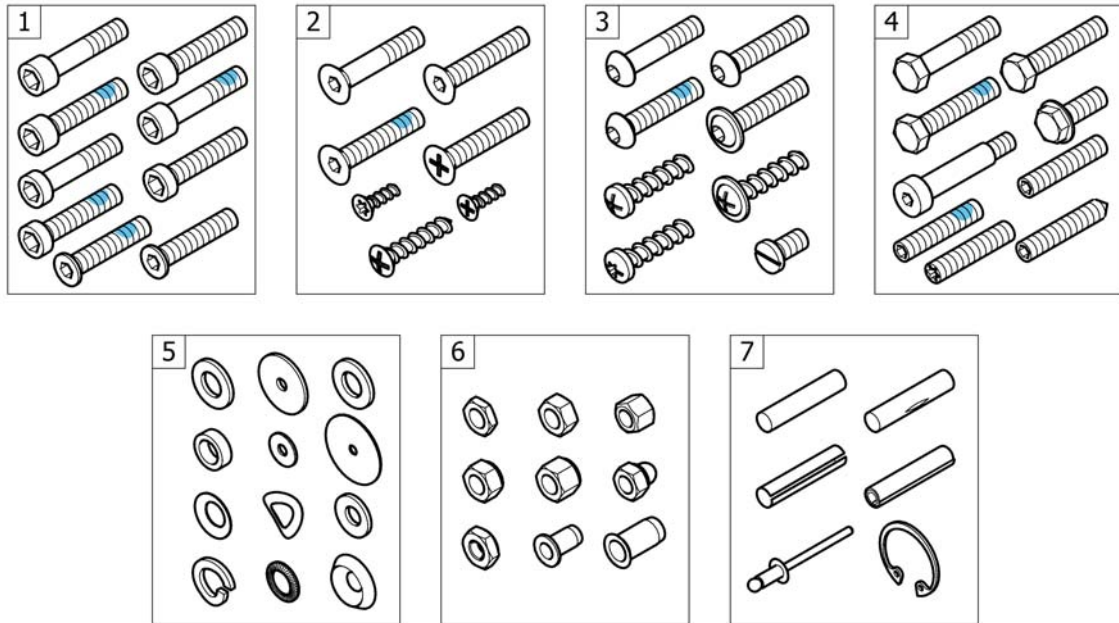
1

(Chair accessories)



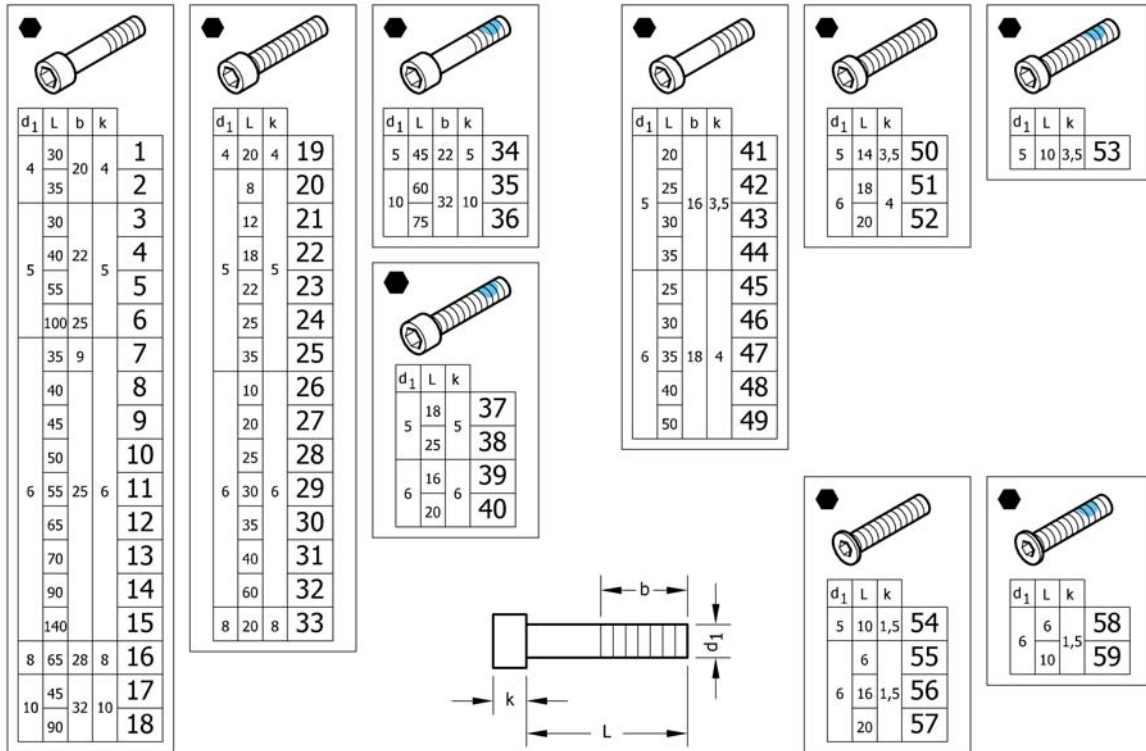
1	1518285	VERKTØYSETT KUSCHALL		1
2	1517924	PUMPE KUSCHALL MANUELL		1
3	1518286	(Air man)		1
4	1518287	VESKE FOR 24 OG 26 HJUL KUSCHALL LOGO		1
5	1567137	(Seat belt)	01.01.2013 →	1
6	1547625	FLASKEHOLDER MED FLASKE KUSCHALL		1
7	1547622	MOBIL TELEFON HOLDER KSL		1
8	1567762	(Spirit level)	01.01.2013 →	1
9	SP1601739	(Küschall watch mounted on front wheel supporter, kit)	01.01.2016 →	1

(Fixation: screws, ...)



1	-	(Socket head cap screws)	1
2	-	(Countersunk screws)	1
3	-	(Button head screws)	1
4	-	(Hex-head screws, diverse, ...)	1
5	-	(Washers)	1
6	-	(Nuts)	1
7	-	(Pins, rivets, ...)	1

(Socket head cap screws)



1	1579115	(Hex socket head cap screws partially threaded, zi.Blue, M4x30, kit 25 Pcs.) <i>Replaces 1560191 (25x)</i>	1
2	1579116	(Hex socket head cap screws partially threaded, zi.Blue, M4x35, kit 25 Pcs.) <i>Replaces 1563765 (25x)</i>	1
3	1579117	(Hex socket head cap screws partially threaded, black, M5x30, kit 25 Pcs.) <i>Replaces 100.1091 (25x)</i>	1
4	1579118	(Hex socket head cap screws partially threaded, black, M5x40, kit 25 Pcs.) <i>Replaces 100.1093 (25x)</i>	1
5	1579119	(Hex socket head cap screws partially threaded, black, M5x55, kit 25 Pcs.) <i>Replaces 100.1096 (25x)</i>	1
6	1579120	(Hex socket head cap screws partially threaded, black, M5x100, kit 10 Pcs.) <i>Replaces 1425240 (10x)</i>	1
7	1579121	(Hex socket head cap screws partially threaded, black, M6x35, kit 5 Pcs.) <i>Replaces 107.1001 (5x)</i>	1
8	1579122	(Hex socket head cap screws partially threaded, black, M6x40, kit 25 Pcs.) <i>Replaces 100.1133 (25x)</i>	1
9	1579123	(Hex socket head cap screws partially threaded, black, M6x45, kit 25 Pcs.) <i>Replaces 100.1134 (25x)</i>	1
10	1579124	(Hex socket head cap screws partially threaded, black, M6x50, kit 25 Pcs.) <i>Replaces 100.1135 (25x)</i>	1
11	1579125	(Hex socket head cap screws partially threaded, black, M6x55, kit 25 Pcs.) <i>Replaces 100.1136 (25x)</i>	1
11	1579126	(Hex socket head cap screws partially threaded, zi.Blue, M6x55, kit 25 Pcs.) <i>Replaces ZM006551A (25x)</i>	1
12	1579127	(Hex socket head cap screws partially threaded, black, M6x65, kit 10 Pcs.) <i>Replaces 100.1138 (10x)</i>	1
13	1579128	(Hex socket head cap screws partially threaded, black, M6x70, kit 10 Pcs.) <i>Replaces 100.1139 (10x)</i>	1
14	1579129	(Hex socket head cap screws partially threaded, black, M6x90, kit 10 Pcs.) <i>Replaces 1529118 (10x)</i>	1
15	1579130	(Hex socket head cap screws partially threaded, black, M6x140, kit 10 Pcs.) <i>Replaces 1529117 (10x)</i>	1

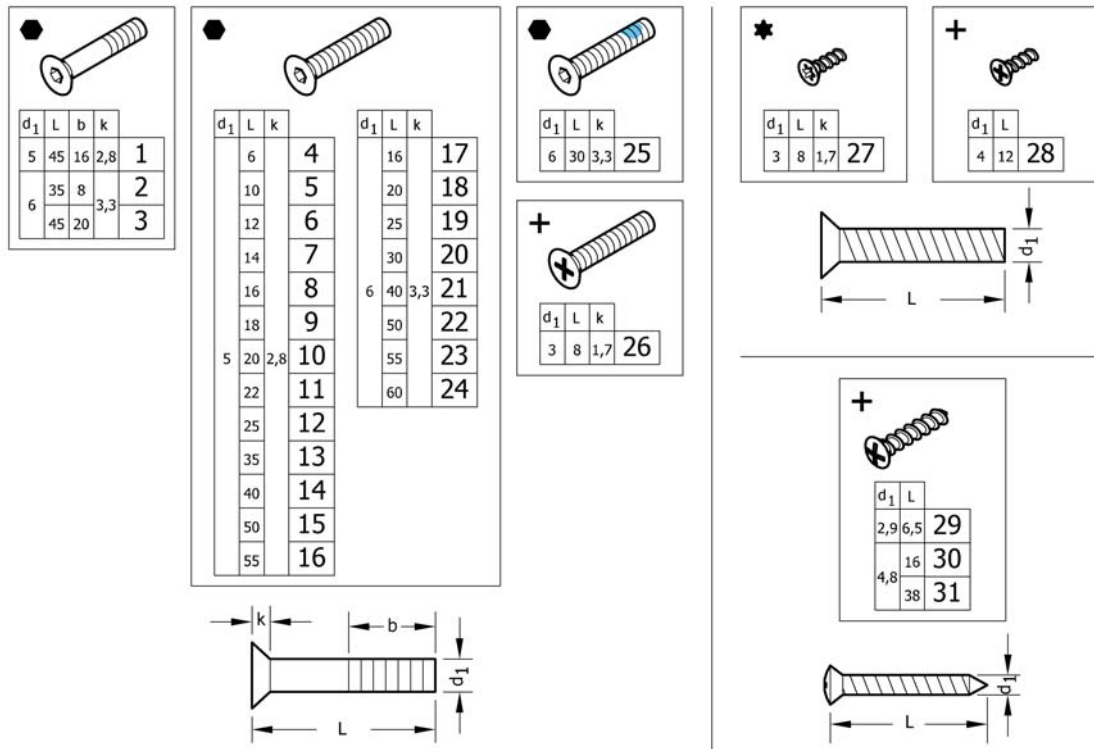
(Socket head cap screws)

16	1579131	(Hex socket head cap screws partially threaded, black, M8x65, kit 10 Pcs.) <i>Replaces 1510316 (10x)</i>	1
17	1579132	(Hex socket head cap screws partially threaded, black, M10x45, kit 2 Pcs.) <i>Replaces 1496010 (2x)</i>	1
18	1579133	(Hex socket head cap screws partially threaded, black, M10x90, kit 2 Pcs.) <i>Replaces 1496013 (2x)</i>	1
19	1579134	(Hex socket head cap screws fully threaded, black, M4x20, kit 25 Pcs.) <i>Replaces 100.1050 (25x)</i>	1
20	1579135	(Hex socket head cap screws fully threaded, black, M5x8, kit 5 Pcs.) <i>Replaces 1493753 (5x)</i>	1
21	1579136	(Hex socket head cap screws fully threaded, black, M5x12, kit 25 Pcs.) <i>Replaces 100.1084 (25x)</i>	1
22	1579137	(Hex socket head cap screws fully threaded, black, M5x18, kit 25 Pcs.) <i>Replaces 100.1087 (25x)</i>	1
23	1579138	(Hex socket head cap screws fully threaded, black, M5x22, kit 25 Pcs.) <i>Replaces 100.1089 (25x)</i>	1
24	1579139	(Hex socket head cap screws fully threaded, black, M5x25, kit 25 Pcs.) <i>Replaces 100.1090 (25x)</i>	1
25	1579140	(Hex socket head cap screws fully threaded, black, M5x35, kit 25 Pcs.) <i>Replaces 100.1092 (25x)</i>	1
26	1579141	(Hex socket head cap screws fully threaded, black, M6x10, kit 25 Pcs.) <i>Replaces 100.1123 (25x)</i>	1
27	1579142	(Hex socket head cap screws fully threaded, black, M6x20, kit 25 Pcs.) <i>Replaces 100.1128 (25x)</i>	1
28	1579143	(Hex socket head cap screws fully threaded, black, M6x25, kit 25 Pcs.) <i>Replaces 100.1130 (25x)</i>	1
29	1579144	(Hex socket head cap screws fully threaded, black, M6x30, kit 25 Pcs.) <i>Replaces 100.1131 (25x)</i>	1
30	1579145	(Hex socket head cap screws fully threaded, black, M6x35, kit 25 Pcs.) <i>Replaces 100.1132 (25x)</i>	1
31	1579146	(Hex socket head cap screws fully threaded, black, M6x40, kit 10 Pcs.) <i>Replaces 1563349 (10x)</i>	1
32	1579147	(Hex socket head cap screws fully threaded, black, M6x60, kit 10 Pcs.) <i>Replaces 100.1137 (10x)</i>	1
33	1579148	(Hex socket head cap screws fully threaded, black, M8x20, kit 10 Pcs.) <i>Replaces 1510307 (10x)</i>	1
34	1579149	(Hex sock.Head cap screws partial.Thread., black, TufLok, M5x45, kit 5 Pcs.) <i>Replaces 1496014 (5x)</i>	1
35	1579150	(Hex sock.Head cap screws partial.Thread., black, TufLok, M10x60, kit 2 Pcs.) <i>Replaces 1496011 (2x)</i>	1
36	1579151	(Hex sock.Head cap screws partial.Thread., black, TufLok, M10x75, kit 2 Pcs.) <i>Replaces 1496012 (2x)</i>	1
37	1579152	(Hex socket head cap screws fully threaded, black, TufLok, M5x18, kit 10 Pcs.) <i>Replaces 1425241 (10x)</i>	1
38	1579153	(Hex socket head cap screws fully threaded, black, TufLok, M5x25, kit 10 Pcs.) <i>Replaces 1570153 (10x)</i>	1
39	1579154	(Hex socket head cap screws full.Thread., zi.Blue, TufLok, M6x16, kit 10 Pcs.) <i>Replaces 1560219 (10x)</i>	1
40	1579155	(Hex socket head cap screws fully threaded, black, TufLok, M6x20, kit 10 Pcs.) <i>Replaces 1498775 (10x)</i>	1
41	1579156	(Hex sock.Head cap screws, low head, part.Thread., black, M5x20, kit 25 Pcs.) <i>Replaces 1438501 (25x)</i>	1
42	1579157	(Hex sock.Head cap screws, low head, part.Thread., black, M5x25, kit 25 Pcs.) <i>Replaces 1438518 (25x)</i>	1
43	1579158	(Hex sock.Head cap screws, low head, part.Thread., black, M5x30, kit 25 Pcs.) <i>Replaces 100.5090 (25x)</i>	1

(Socket head cap screws)

44	1579159	(Hex sock.Head cap screws, low head, part.Thread., black, M5x35, kit 25 Pcs.) <i>Replaces 100.5091 (25x)</i>	1
45	1579160	(Hex sock.Head cap screws, low head, part.Thread., black, M6x25, kit 25 Pcs.) <i>Replaces 1432120 (25x)</i>	1
46	1579161	(Hex sock.Head cap screws, low head, part.Thread., black, M6x30, kit 25 Pcs.) <i>Replaces 100.5130 (25x)</i>	1
47	1579162	(Hex sock.Head cap screws, low head, part.Thread., black, M6x35, kit 25 Pcs.) <i>Replaces 1438504 (25x)</i>	1
48	1579163	(Hex sock.Head cap screws, low head, part.Thread., black, M6x40, kit 25 Pcs.) <i>Replaces 100.5132 (25x)</i>	1
49	1579164	(Hex sock.Head cap screws, low head, part.Thread., black, M6x50, kit 25 Pcs.) <i>Replaces 100.5134 (25x)</i>	1
50	1579165	(Hex sock.Head cap screws, low head, part.Thread., black, M5x14, kit 25 Pcs.) <i>Replaces 100.5085 (25x)</i>	1
51	1579166	(Hex sock.Head cap screws, low head, part.Thread., black, M6x18, kit 25 Pcs.) <i>Replaces 100.5126 (25x)</i>	1
52	1579167	(Hex sock.Head cap screws, low head, part.Thread., black, M6x20, kit 25 Pcs.) <i>Replaces 100.5127 (25x)</i>	1
53	1579168	(Hex soc.Head cap scr., low head, part.Threa., bl., TufL., M5x10, kit 10 Pcs.) <i>Replaces 1496026 (10x)</i>	1
54	1579169	(Hex socket head cap screws, special low head, black, M5x10, kit 25 Pcs.) <i>Replaces 1437290 (25x)</i>	1
55	1579170	(Hex socket head cap screws, special low head, black, M6x6, kit 25 Pcs.) <i>Replaces 1425182 (25x)</i>	1
56	1579171	(Hex socket head cap screws, special low head, black, M6x16, kit 25 Pcs.) <i>Replaces 1541181 (25x)</i>	1
57	1579172	(Hex socket head cap screws, special low head, black, M6x20, kit 25 Pcs.) <i>Replaces 107.1022 (25x)</i>	1
58	1579173	(Hex socket head cap screws, spec.Low head, black, TufLok, M5x6, kit 10 Pcs.) <i>Replaces 1532039 (10x)</i>	1
59	1579174	(Hex socket head cap screws, spec.Low head, black, TufLok, M6x10, kit 10 Pcs.) <i>Replaces 1420946 (10x)</i>	1

(Countersunk screws)

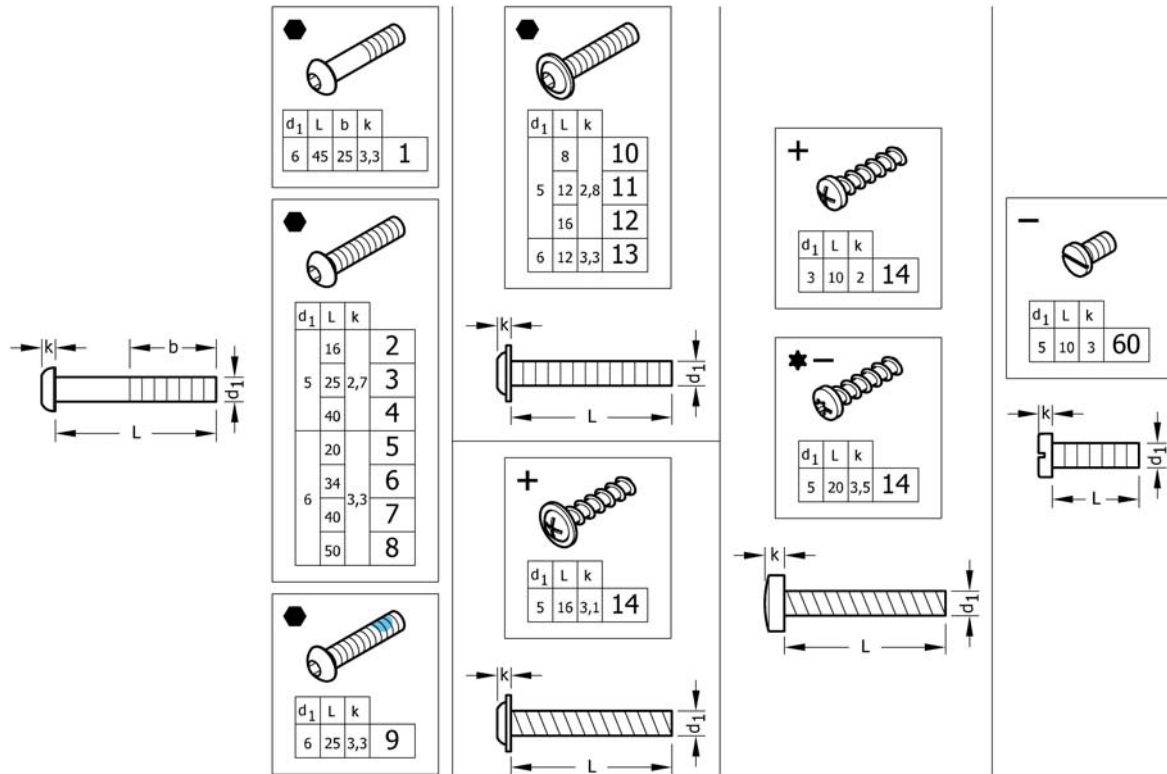


1	1579175	(Countersunk head screws partially threaded, Black, M5x45, kit 10 Pcs.) <i>Replaces 1438773 (10x)</i>	1
2	1579176	(Countersunk head screws partially threaded, Black, M6x35, kit 10 Pcs.) <i>Replaces 107.1004 (10x)</i>	1
3	1579177	(Countersunk head screws partially threaded, Black, M6x45, kit 10 Pcs.) <i>Replaces 100.3133 (10x)</i>	1
4	1579178	(Countersunk head screws fully threaded, Black, M5x6, kit 25 Pcs.) <i>Replaces 1445273 (25x)</i>	1
5	1579179	(Countersunk head screws fully threaded, Black, M5x10, kit 25 Pcs.) <i>Replaces 100.3082 (25x)</i>	1
6	1579180	(Countersunk head screws fully threaded, Black, M5x12, kit 25 Pcs.) <i>Replaces 1438999 (25x)</i>	1
7	1579181	(Countersunk head screws fully threaded, Black, M5x14, kit 25 Pcs.) <i>Replaces 107.1015 (25x)</i>	1
8	1579182	(Countersunk head screws fully threaded, Black, M5x16, kit 25 Pcs.) <i>Replaces 100.3085 (25x)</i>	1
9	1579183	(Countersunk head screws fully threaded, Black, M5x18, kit 25 Pcs.) <i>Replaces 100.3086 (25x)</i>	1
10	1579184	(Countersunk head screws fully threaded, Black, M5x20, kit 25 Pcs.) <i>Replaces 100.3087 (25x)</i>	1
11	1579185	(Countersunk head screws fully threaded, Black, M5x22, kit 25 Pcs.) <i>Replaces 1416930 (25x)</i>	1
12	1579186	(Countersunk head screws fully threaded, Black, M5x25, kit 25 Pcs.) <i>Replaces 100.3089 (25x)</i>	1
13	1579187	(Countersunk head screws fully threaded, Black, M5x35, kit 25 Pcs.) <i>Replaces 100.3091 (25x)</i>	1
14	1579188	(Countersunk head screws fully threaded, Black, M5x40, kit 25 Pcs.) <i>Replaces 1432148 (25x)</i>	1
15	1579189	(Countersunk head screws fully threaded, Black, M5x50, kit 25 Pcs.) <i>Replaces 100.3094 (25x)</i>	1
16	1579190	(Countersunk head screws fully threaded, Black, M5x55, kit 25 Pcs.) <i>Replaces 100.3095 (25x)</i>	1
17	1579191	(Countersunk head screws fully threaded, Black, M6x16, kit 25 Pcs.) <i>Replaces 100.3125 (25x)</i>	1
18	1579192	(Countersunk head screws full.Threaded, zinc flake coat., M6x20, kit 25 Pcs.) <i>Replaces 100.3127 (25x)</i>	1

(Countersunk screws)

18	1579193	(Countersunk head screws fully threaded, Black, M6x20, kit 25 Pcs.) <i>Replaces 1437809 (25x)</i>	1
19	1579194	(Countersunk head screws fully threaded, Black, M6x25, kit 25 Pcs.) <i>Replaces 100.3129 (25x)</i>	1
20	1579195	(Countersunk head screws fully threaded, Black, M6x30, kit 25 Pcs.) <i>Replaces 100.3130 (25x)</i>	1
21	1579196	(Countersunk head screws fully threaded, Black, M6x40, kit 25 Pcs.) <i>Replaces 100.3132 (25x)</i>	1
22	1579197	(Countersunk head screws fully threaded, Black, M6x50, kit 25 Pcs.) <i>Replaces 100.3134 (25x)</i>	1
23	1579198	(Countersunk head screws fully threaded, Black, M6x55, kit 25 Pcs.) <i>Replaces 100.3135 (25x)</i>	1
24	1579199	(Countersunk head screws fully threaded, Black, M6x60, kit 25 Pcs.) <i>Replaces 100.3136 (25x)</i>	1
25	1579200	(Countersunk head screws fully threaded, Black, TufLok, M6x30, kit 25 Pcs.) <i>Replaces 1550479 (25x)</i>	1
26	1579201	(Countersunk head screws fully threaded, zi.Blue, M3x8, kit 25 Pcs.) <i>Replaces 1529279 (25x)</i>	1
27	1579202	(Countersunk head PT screws, Torx, stainless steel, 3x8, kit 25 Pcs.) <i>Replaces 1529278 (25x)</i>	1
28	1579203	(Countersunk head PT screws, Black, KA40x12, kit 25 Pcs.) <i>Replaces 1438513 (25x)</i>	1
29	1579204	(Countersunk head tapping screws with cone end, Black, ST2,9x6,5, kit 25 Pcs.) <i>Replaces 126.5041 (25x)</i>	1
30	1579205	(Countersunk head tapping screws with cone end, Black, ST4,8x16, kit 25 Pcs.) <i>Replaces 126.5202 (25x)</i>	1
31	1579206	(Countersunk head tapping screws with cone end, Black, ST4,8x38, kit 25 Pcs.) <i>Replaces 126.5207 (25x)</i>	1

(Button head screws)

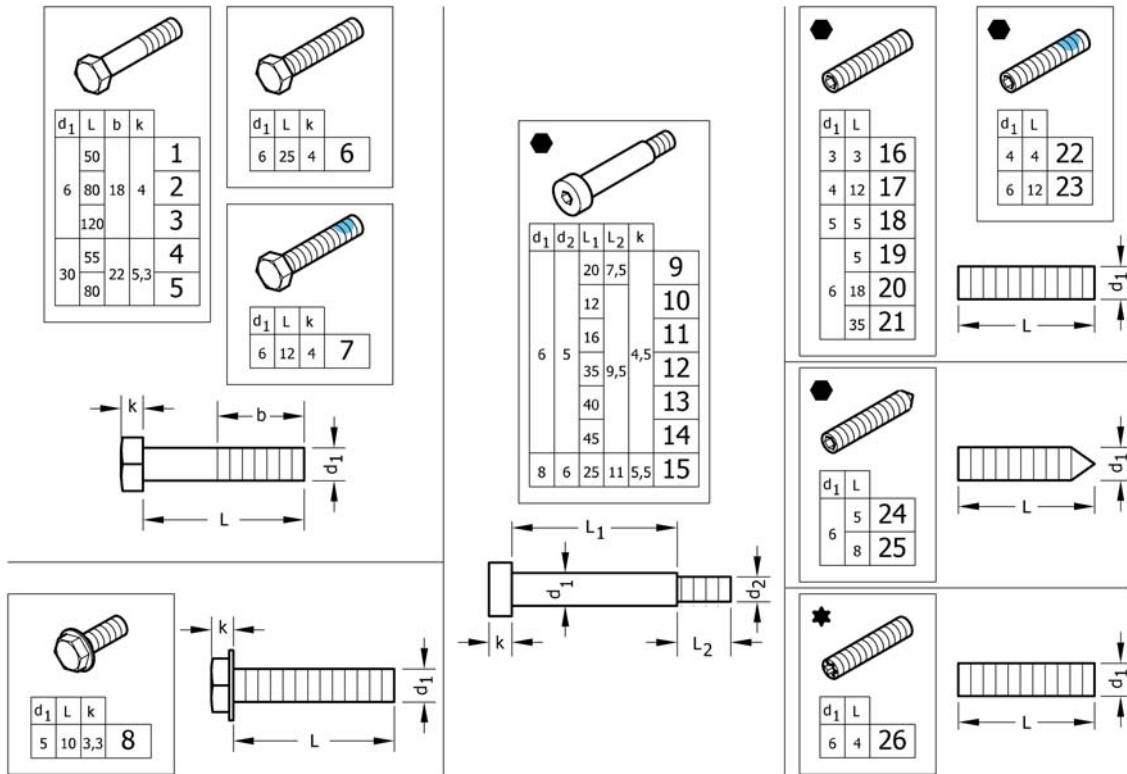


1	1579259	(Hex sock.Button head cap screws partially thread., Black, M6x45, kit 25 Pcs.) <i>Replaces 1438507 (25x)</i>	1
2	1579260	(Hex socket button head cap screws fully threaded, Black, M5x16, kit 25 Pcs.) <i>Replaces 1445341-0003 (25x)</i>	1
3	1579261	(Hex socket button head cap screws fully threaded, Black, M5x25, kit 25 Pcs.) <i>Replaces 107.1021 (25x)</i>	1
4	1579262	(Hex socket button head cap screws fully threaded, Black, M5x40, kit 25 Pcs.) <i>Replaces 1445101-0003 (25x)</i>	1
5	1579263	(Hex socket button head cap screws fully threaded, Black, M6x20, kit 25 Pcs.) <i>Replaces 1439153 (25x)</i>	1
6	1579264	(Hex socket button head cap screws fully threaded, Black, M6x34, kit 25 Pcs.) <i>Replaces 1438506-0003 (25x)</i>	1
7	1579265	(Hex socket button head cap screws fully threaded, Black, M6x40, kit 25 Pcs.) <i>Replaces 1439530-0003 (25x)</i>	1
8	1579266	(Hex socket button head cap screws fully threaded, Black, M6x50, kit 25 Pcs.) <i>Replaces 1439531-0003 (25x)</i>	1
9	1579267	(Hex sock.But.Head cap screws full.Thread., Black, TufLok, M6x25, kit 25 Pcs.) <i>Replaces 1438505 (25x)</i>	1
10	1579268	(Button head socket cap screws with flange, Black, M5x8, kit 25 Pcs.) <i>Replaces 1536268 (25x)</i>	1
11	1579269	(Button head socket cap screws with flange, Black, M5x12, kit 25 Pcs.) <i>Replaces 1529290 (25x)</i>	1
12	1579270	(Button head socket cap screws with flange, Black, M5x16, kit 25 Pcs.) <i>Replaces 1445102-0003 (25x)</i>	1
13	1579271	(Button head socket cap screws with flange, Black, M6x12, kit 25 Pcs.) <i>Replaces 1432204 (25x)</i>	1
14	1579272	(Round washer head PT® screws, form H, zinc plated blue, M5x16, kit 25 Pcs.) <i>Replaces 1536057 (25x)</i>	1

(Button head screws)

15	1579273	(Pan head PT screws, form H, zinc plated blue, M3x10, kit 25 Pcs.) <i>Replaces ZM003510A (25x)</i>	1
16	1579274	(Pan head PT screws, Torx, Black, M5x20, kit 25 Pcs.) <i>Replaces 1424569 (25x)</i>	1
17	1579275	(Slotted machine screws, Black, M5x10, kit 25 Pcs.) <i>Replaces 102.2083 (25x)</i>	1

(Hex-head screws, diverse, ...)

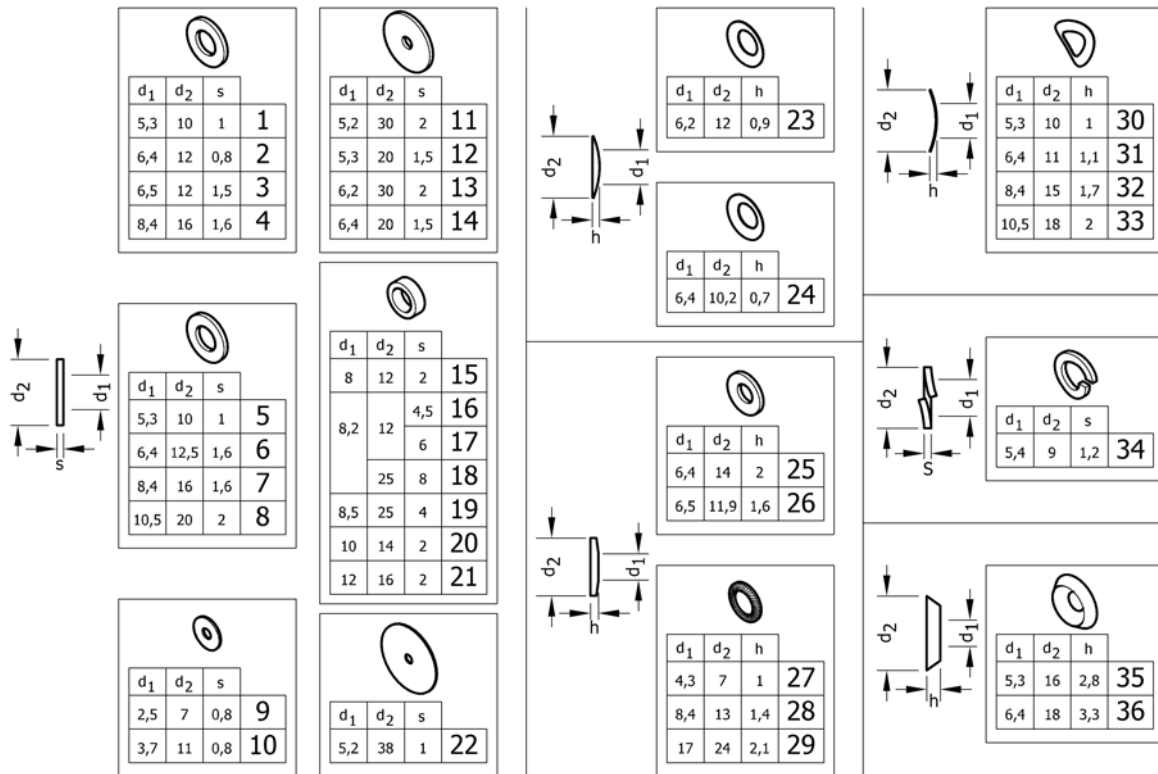


1	1579276	(Hex head bolts partially threaded, Black, M6x50, kit 10 Pcs.) <i>Replaces 101.1134 (10x)</i>	1
2	1579277	(Hex head bolts partially threaded, Black, M6x80, kit 10 Pcs.) <i>Replaces 1438508 (10x)</i>	1
3	1579278	(Hex head bolts partially threaded, Black, M6x120, kit 10 Pcs.) <i>Replaces 1438509 (10x)</i>	1
4	1579279	(Hex head bolts partially threaded, Black, M8x55, kit 10 Pcs.) <i>Replaces 101.1174 (10x)</i>	1
5	1579280	(Hex head bolts partially threaded, Black, M8x80, kit 10 Pcs.) <i>Replaces 101.1179 (10x)</i>	1
6	1579281	(Hex head screws fully threaded, Black, M6x25, kit 10 Pcs.) <i>Replaces 1437299 (10x)</i>	1
7	1579282	(Hex head screws fully threaded, Black, TufLok, M6x12, kit 10 Pcs.) <i>Replaces 1564245 (10x)</i>	1
8	1579283	(Hex flange head machine screws with flangeBlack, M5x10, kit 10 Pcs.) <i>Replaces 107.1014 (10x)</i>	1
9	1579295	(Hex socket head shoulder bolts, Black, Ø6x20 / M5, kit 4 Pcs.) <i>Replaces 1488934-0003 (4x)</i>	1
10	1579296	(Hex socket head shoulder bolts, Black, Ø6x12 / M5, kit 4 Pcs.) <i>Replaces 1564246 (4x)</i>	1
11	1579297	(Hex socket head shoulder bolts, Black, Ø6x16 / M5, kit 4 Pcs.) <i>Replaces 1529291 (4x)</i>	1
12	1579298	(Hex socket head shoulder bolts, Black, Ø6x35 / M5, kit 4 Pcs.) <i>Replaces 1496034 (4x)</i>	1
13	1579299	(Hex socket head shoulder bolts, Black, Ø6x40 / M5, kit 4 Pcs.) <i>Replaces 107.1023 (4x)</i>	1
14	1579300	(Hex socket head shoulder bolts, Black, Ø6x45 / M5, kit 4 Pcs.) <i>Replaces 1496030 (4x)</i>	1
15	1579301	(Hex socket head shoulder bolts, Black, Ø8x25 / M6, kit 4 Pcs.) <i>Replaces ZM008252A (4x)</i>	1
16	1579284	(Hex socket set screws with flat point, Black, M3x3, kit 25 Pcs.) <i>Replaces 116.1001 (25x)</i>	1
17	1579285	(Hex socket set screws with flat point, Black, M4x12, kit 25 Pcs.) <i>Replaces 116.1046 (25x)</i>	1
18	1579286	(Hex socket set screws with flat point, zinc plated blue, M5x5, kit 25 Pcs.) <i>Replaces 116.1081 (25x)</i>	1

(Hex-head screws, diverse, ...)

19	1579287	(Hex socket set screws with flat point, Black, M6x5, kit 25 Pcs.) <i>Replaces 1437272 (25x)</i>	1
20	1579288	(Hex socket set screws with flat point, zinc plated blue, M6x18, kit 25 Pcs.) <i>Replaces 1559106 (25x)</i>	1
21	1579289	(Hex socket set screws with flat point, Black, M6x35, kit 25 Pcs.) <i>Replaces 116.1133 (25x)</i>	1
22	1579290	(Hex socket set screws with flat point, Black, TufLok, M4x4, kit 10 Pcs.) <i>Replaces 1493792 (10x)</i>	1
23	1579291	(Hex socket set screws with flat point, Z.Plat.Bl., TufLok, M6x12, kit 10Pcs.) <i>Replaces 1439057 (10x)</i>	1
24	1579292	(Hex socket set screws with cone point, Black, M6x5, kit 25 Pcs.) <i>Replaces 116.2121 (25x)</i>	1
25	1579293	(Hex socket set screws with cone point, Black, M6x8, kit 25 Pcs.) <i>Replaces 116.2123 (25x)</i>	1
26	1579294	(Screws with cup point, Torx, zinc plated blue, M6x4, kit 25 Pcs.) <i>Replaces 1567763 (25x)</i>	1

(Washers)

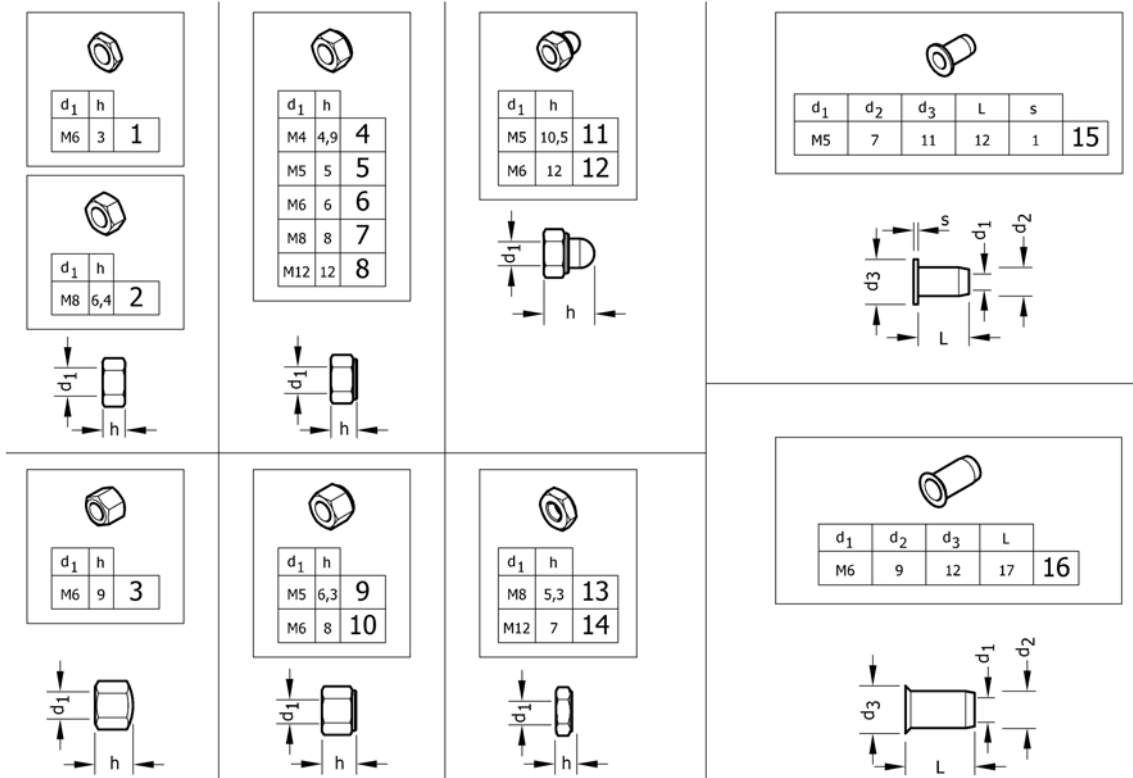


1	1579225	(Flat washers without chamfer, black, 5,3x10x1, kit 50 Pcs.) <i>Replaces 150.1004 (50x)</i>	1
2	1579226	(Flat washers without chamfer, black, 6,4x12x0,8, kit 50 Pcs.) <i>Replaces 150.2001 (50x)</i>	1
3	1579227	(Flat washers without chamfer, zinc plated blue, 6,5x12x1,5, kit 50 Pcs.) <i>Replaces 5729091 (50x)</i>	1
4	1579228	(Flat washers without chamfer, black, 8,4x16x1,6, kit 50 Pcs.) <i>Replaces 150.1012 (50x)</i>	1
5	1579229	(Flat washers without chamfer, polyamide, 5,3x10x1, kit 50 Pcs.) <i>Replaces 150.3003 (50x)</i>	1
6	1579230	(Flat washers without chamfer, polyamide, 6,4x12,5x1,6, kit 50 Pcs.) <i>Replaces 150.3004 (50x)</i>	1
7	1579231	(Flat washers without chamfer, polyamide, 8,4x16x1,6, kit 50 Pcs.) <i>Replaces 150.3005 (50x)</i>	1
8	1579232	(Flat washers without chamfer, polyamide, 10,5x20x2, kit 50 Pcs.) <i>Replaces 150.3006 (50x)</i>	1
9	1579233	(Flat washers without chamfer, zinc plated blue, 2,5x7x0,8, kit 50 Pcs.) <i>Replaces 150.2012 (50x)</i>	1
10	1579234	(Flat washers without chamfer, zinc plated blue, 3,7x11x0,8, kit 50 Pcs.) <i>Replaces ZM203501A (50x)</i>	1
11	1579235	(Flat washers without chamfer, black, 5,2x30x2, kit 20 Pcs.) <i>Replaces 150.2006 (20x)</i>	1
12	1579236	(Flat washers without chamfer, black, 5,3x20x1,5, kit 50 Pcs.) <i>Replaces 150.2010 (50x)</i>	1
13	1579237	(Flat washers without chamfer, black, 6,2x30x2, kit 20 Pcs.) <i>Replaces 150.2009 (20x)</i>	1
14	1579238	(Flat washers without chamfer, black, 6,4x25x1,5, kit 50 Pcs.) <i>Replaces 1451753 (50x)</i>	1
15	1579239	(Hinge rings, black, 8x12x2, kit 50 Pcs.) <i>Replaces 150.5002 (50x)</i>	1
16	1579240	(Distance sleeve, alu, 8,2x12x4,5, kit 20 Pcs.) <i>Replaces 1420970 (20x)</i>	1
17	1579241	(Distance sleeve, alu, 8,2x12x6, kit 20 Pcs.) <i>Replaces 1420969 (20x)</i>	1
18	1581292	(Distance sleeve, alu, 8,2x25x8, kit 2 Pcs.) <i>Replaces 151.1002 (2x)</i>	1

(Washers)

19	1583052	(Distance sleeve, alu, black, 8,5x25x4, kit 10 Pcs.) <i>Replaces 151.1014 (10x)</i>	1
20	1579242	(Hinge rings, zinc plated blue, 10x14x2, kit 50 Pcs.) <i>Replaces 1506666 (50x)</i>	1
21	1579243	(Hinge rings, black, 12x16x2, kit 50 Pcs.) <i>Replaces 150.5006 (50x)</i>	1
22	1579244	(Rubber washers, 5,2x38x1, kit 20 Pcs.) <i>Replaces 1424891 (20x)</i>	1
23	1579245	(Disc springs, black, 6,2x12x0,9, kit 50 Pcs.) <i>Replaces 160.1015 (50x)</i>	1
24	1579246	(Conical spring washers, zinc plated blue, 6,4x10,2x0,7, kit 50 Pcs.) <i>Replaces 161.1004 (50x)</i>	1
25	1579247	(Conical spring washers, black, 6,4x14x2, kit 50 Pcs.) <i>Replaces 161.2004 (50x)</i>	1
26	1579248	(Conical spring washers, zinc plated blue, 6,5x11,9x1,6, kit 50 Pcs.) <i>Replaces ZM206001A (50x)</i>	1
27	1579249	(Ribbed lock washers, black, 4,3x7x1, kit 50 Pcs.) <i>Replaces 155.2002 (50x)</i>	1
28	1579250	(Ribbed lock washers, zinc plated blue, 8,4x13x1,4, kit 50 Pcs.) <i>Replaces 155.2005 (50x)</i>	1
29	1579251	(Ribbed lock washers, zinc plated blue, 17x24x2,1, kit 50 Pcs.) <i>Replaces 155.2009 (50x)</i>	1
30	1579252	(Curved spring washers, black, 5,3x10x1, kit 50 Pcs.) <i>Replaces 1438515 (50x)</i>	1
31	1579253	(Curved spring washers, black, 6,4x11x1,1, kit 50 Pcs.) <i>Replaces 1438516 (50x)</i>	1
32	1579254	(Curved spring washers, zinc plated blue, 8,4x15x1,7, kit 50 Pcs.) <i>Replaces ZM208003A (50x)</i>	1
33	1579255	(Curved spring washers, zinc plated blue, 10,5x18x2, kit 50 Pcs.) <i>Replaces ZM201581A (50x)</i>	1
34	1579256	(Split spring lock washers, black, 5,4x9x1,2, kit 50 Pcs.) <i>Replaces 155.1003 (50x)</i>	1
35	1579257	SKIVE FORSENKET 90G M5° 3x16x2,8 50 stk <i>Replaces 150.6003 (50x)</i>	1
36	1579258	SKIVE FORSENKET 90G M6° 4x18x3,3 50 stk <i>Replaces 150.6004 (50x)</i>	1

(Nuts)

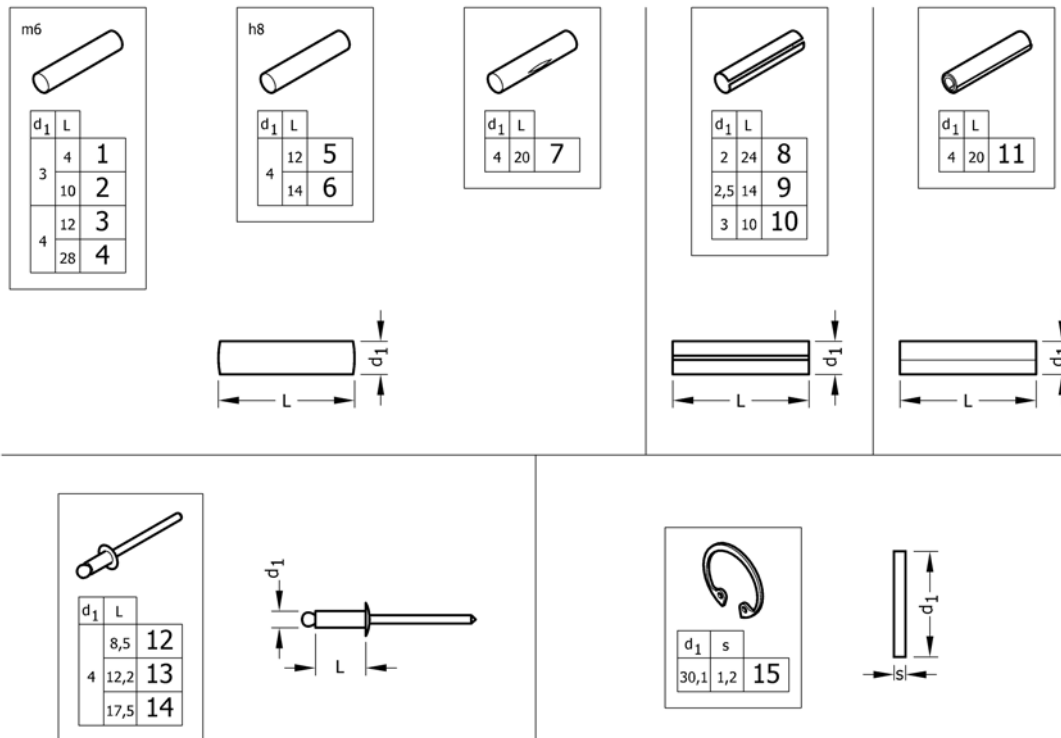


1	1579207	(Hex jam nuts, black, M6, kit 25 Pcs.) <i>Replaces 108.3004 (25x)</i>	1
2	1579208	(Hexagon nuts , black, M8, kit 25 Pcs.) <i>Replaces 1420997 (25x)</i>	1
3	1579209	(Hex cap nuts, low type, black, M6, kit 25 Pcs.) <i>Replaces 109.5009 (25x)</i>	1
4	1579210	(Prev.Torque lock nuts, thin type, with polyam.Insert, black, M4, kit 25 Pcs.) <i>Replaces 109.1002 (25x)</i>	1
5	1579211	(Prev.Torque lock nuts, thin type, with polyam.Insert, black, M5, kit 25 Pcs.) <i>Replaces 109.1003 (25x)</i>	1
5	1579212	(Prev.Torque lock nuts, thin type, with polyam.Insert, zi.Bl., M5, kit 25 Pcs.) <i>Replaces 109.5008 (25x)</i>	1
6	1579213	(Prev.Torque lock nuts, thin type, with polyam.Insert, black, M6, kit 25 Pcs.) <i>Replaces 109.1004 (25x)</i>	1
6	1579214	(Prev.Torque lock nuts, thin type, with polyam.Insert, zi.Bl., M6, kit 25 Pcs.) <i>Replaces ZM106001A (25x)</i>	1
7	1579215	(Prev.Torque lock nuts, thin type, with polyam.Insert, black, M8, kit 25 Pcs.) <i>Replaces 109.1005 (25x)</i>	1
8	1579216	(Prev.Torque lock nuts, thin type, with polyam.Insert, black, M12, kit 4 Pcs.) <i>Replaces 109.1007 (4x)</i>	1
9	1579217	(Preva.Torq.Hex lock nuts, high type with poly.Insert, black, M5, kit 25 Pcs.) <i>Replaces 1493771 (25x)</i>	1
10	1579218	(Preva.Torq.Hex lock nuts, high type with poly.Insert, black, M6, kit 25 Pcs.) <i>Replaces 109.5001 (25x)</i>	1
11	1579219	(Prevail.Torque hex domed cap nuts with polyam.Insert, black, M5, kit 25 Pcs.) <i>Replaces 109.5006 (25x)</i>	1
12	1579220	(Prevail.Torque hex domed cap nuts with polyam.Insert, black, M6, kit 25 Pcs.) <i>Replaces 109.5003 (25x)</i>	1
13	1579221	(Prevailing torque hex lock nuts, all-metal, thin typeblack, M8, kit 10 Pcs.) <i>Replaces 109.5005 (10x)</i>	1

(Nuts)

14	1579222	(Prevailing torque hex lock nuts, all-metal, thin typeblack, M12, kit 4 Pcs.) <i>Replaces 109.5004 (4x)</i>	1
15	1579223	(Blind rivet nuts, flat head, open type, black, M5, kit 10 Pcs.) <i>Replaces 180.4007 (10x)</i>	1
16	1579224	(Blind rivet nut with low countersunk head, open type, black, M6, kit 10 Pcs.) <i>Replaces 180.4105 (10x)</i>	1

(Pins, rivets, ...)



1	1579302	(Parallel pins, Ø3x4 m6, kit 10 Pcs.) <i>Replaces 1439336 (10x)</i>	1
2	1579303	(Parallel pins, Ø3x10 m6, kit 10 Pcs.) <i>Replaces 1439337 (10x)</i>	1
3	1579304	(Parallel pins, Ø4x12 m6, kit 20 Pcs.) <i>Replaces 200.1124 (20x)</i>	1
4	1579305	(Parallel pins, Ø4x28 m6, kit 20 Pcs.) <i>Replaces 1437344 (20x)</i>	1
5	1579306	(Parallel pins, Ø4x12 h8, kit 20 Pcs.) <i>Replaces 1487663 (20x)</i>	1
6	1579307	(Parallel pins, Ø4x14 h8, kit 20 Pcs.) <i>Replaces 1487662 (20x)</i>	1
7	1579308	(Grooved pins, center grooved, Ø4x20, kit 20 Pcs.) <i>Replaces 1517718 (20x)</i>	1
8	1579309	(Slotted spring pins, heavy duty, Black, Ø2x24, kit 20 Pcs.) <i>Replaces 200.4011 (20x)</i>	1
9	1579310	(Slotted spring pins, heavy duty, Black, Ø2,5x14, kit 20 Pcs.) <i>Replaces 200.4007 (20x)</i>	1
10	1579311	(Slotted spring pins, heavy duty, stainless steel, Ø3x10, kit 20 Pcs.) <i>Replaces 1567997 (20x)</i>	1
11	1579312	(Spiral spring pins, Black, Ø4x20, kit 20 Pcs.) <i>Replaces 200.3167 (20x)</i>	1
12	1579313	(Dome head blind rivets, Ø4x8,5, kit 20 Pcs.) <i>Replaces 1439292 (20x)</i>	1
13	1579314	(Dome head blind rivets, Ø4x12,2, kit 20 Pcs.) <i>Replaces 180.5116 (20x)</i>	1
14	1579315	(Dome head blind rivets, Ø4x17,5, kit 20 Pcs.) <i>Replaces 180.5019 (20x)</i>	1
15	1579316	(Retaining rings for bores, Std.Design, Z.plat.Blue, Ø30,1X1,2, kit 20 Pcs.) <i>Replaces ZM50J281A (20x)</i>	1



Yes, you can.®



Belgium & Luxemburg:

Invacare nv, Autobaan 22, B-8210 Loppem
Tel: (32) (0)50 83 10 10, Fax: (32) (0)50 83 10 11
belgium@invacare.com / www.invacare.be

Denmark:

Invacare A/S, Sdr. Ringvej 37, DK-2605 Brøndby
Tel: (45) (0)36 90 00 00, Fax: (45) (0)36 90 00 01
denmark@invacare.com / www.invacare.dk

Deutschland:

Invacare Aquatec GmbH, Alemannenstraße 10, D-88316 Isny
Tel: (49) (0)75 62 7 00 0, Fax: (49) (0)75 62 7 00 66
info@invacare-aquatec.com / www.invacare-aquatec.de

European Distributor Organisation:

Invacare, Kleiststraße 49, D-32457 Porta Westfalica
Tel: (49) (0)57 31 754 540, Fax: (49) (0)57 31 754 541
edo@invacare.com / www.invacare.eu.com

España:

Invacare SA, c/Areny s/n, Polígon Industrial de Celrà, E-17460 Celrà (Girona)
Tel: (34) (0)972 49 32 00, Fax: (34) (0)972 49 32 20
contactsp@invacare.com / www.invacare.es

France:

Invacare Poirier SAS, Route de St Roch, F-37230 Fondettes
Tel: (33) (0)2 47 62 64 66, Fax: (33) (0)2 47 42 12 24
contactfr@invacare.com / www.invacare.fr

Ireland:

Invacare Ireland Ltd, Unit 5 Seatown Business Campus, Seatown Road, Swords, County Dublin - Ireland
Tel: (353) 1 810 7084, Fax: (353) 1 810 7085
ireland@invacare.com / www.invacare.ie

Italia:

Invacare Mecc San s.r.l., Via dei Pini 62, I-36016 Thiene (VI)
Tel: (39) 0445 38 00 59, Fax: (39) 0445 38 00 34
italia@invacare.com / www.invacare.it

Nederland:

Invacare BV, Celsiusstraat 46, NL-6716 BZ Ede
Tel: (31) (0)318 695 757, Fax: (31) (0)318 695 758
nederland@invacare.com, csede@invacare.com / www.invacare.nl

Norge:

Invacare AS, Grensesvingen 9, Postboks 6230, Etterstad, N-0603 Oslo
Tel: (47) (0)22 57 95 00, Fax: (47) (0)22 57 95 01
norway@invacare.com, island@invacare.com / www.invacare.no

Österreich:

Invacare Austria GmbH, Herzog Odilostrasse 101, A-5310 Mondsee
Tel: (43) 6232 5535 0, Fax: (43) 6232 5535 4
info-austria@invacare.com / www.invacare.at

Portugal:

Invacare Lda, Rua Estrada Velha, 949, P-4465-784 Leça do Balio
Tel: (351) (0)225 1059 46/47, Fax: (351) (0)225 1057 39
portugal@invacare.com / www.invacare.pt

Sverige & Suomi:

Invacare AB, Fagerstagatan 9, S-163 91 Spånga
Tel: (46) (0)8 761 70 90, Fax: (46) (0)8 761 81 08
sweden@invacare.com, finland@invacare.com / www.invacare.se

Switzerland:

Invacare AG, Benkenstrasse 260, CH-4108 Witterswil
Tel: (41) (0)61 487 70 80, Fax: (41) (0)61 487 70 81
switzerland@invacare.com / www.invacare.ch

United Kingdom:

Invacare Limited, Pencoed Technology Park, Pencoed, Bridgend CF35 5AQ
Switchboard Tel: (44) (0)1656 776200, Fax: (44) (0)1656 776201
Customer services Tel: (44) (0)1656 776222, Fax: (44) (0)1656 776220
uk@invacare.com / www.invacare.co.uk