

Spare Parts Catalogue

Version: 2015/06/08a NO



Invacare® SB750™



Yes, you can.®

General Information

For any order of spare parts the following information is required:

- Product type*
- Product name & model*
- Serial Number*
- Part-Number*
- Part-Description*

Exploded view drawings and code numbers are not contractual and subject to modification, in relation to Invacare® continuous product improvement policy to meet end users needs.

The reproduction or use of this work, or of any substantial part of this work, in any form or by any electronic, mechanical or other means, including photocopying, scanning and recording, and in any information storage and retrieval system, including electronic transmission, is forbidden without the prior written permission of Invacare® International Sarl.



Yes, you can.®

TABLE OF CONTENTS

Farge spesifikasjoner

(Steel and plastic colours)	7
(Wood types)	8

(Mattress supports)

(Mattress support 85 cm width with wooden lamellas)	9
(Top frame, head end, 183+200 cm length)	10
(Top frame, head end, 183+200 cm length, with head rest)	11
(Head rest)	12
(Top frame, foot end, 183 cm length)	13
(Top frame, foot end, 200 cm length)	14
(Mattress support 85 cm width with aluminium lamellas)	15
(Top frame, head end, 183+200 cm length)	16
(Top frame, head end, 183+200 cm length, with head rest)	17
(Head rest)	18
(Top frame, foot end, 183 cm length)	19
(Top frame, foot end, 200 cm length)	20
(Mattress support 90 cm width with wooden lamellas)	21
(Top frame, head end, 183+200 cm length)	22
(Top frame, head end, 183+200 cm length, with head rest)	23
(Head rest)	12
(Top frame, foot end, 183 cm length)	24
(Top frame, foot end, 200 cm length)	25
(Mattress support 90 cm width with aluminium lamellas)	26
(Top frame, head end, 183+200 cm length)	27
(Top frame, head end, 183+200 cm length, with head rest)	28
(Head rest)	18
(Top frame, foot end, 183 cm length)	29
(Top frame, foot end, 200 cm length)	30
(Mattress support 105 cm width with steel lamellas)	31
(Top frame, head end, 200 cm length)	32
(Top frame, foot end, 200 cm length)	33
(Mattress support 120 cm width with steel lamellas)	34
(Top frame, head end, 200 cm length)	35
(Top frame, foot end, 200 cm length)	36

(Bases)

(Base for 85+90+105 cm width)	37
(Base for 120 cm width)	38

(Castors and brake systems)

(Castors with brake)	39
(Central brake system for 85+90+105 cm width)	40
(Ø80 mm castors with central brake)	41
(Base for 85+90+105 cm width)	37
(Ø100 mm castors with central brake)	42
(Base for 85+90+105 cm width)	37
(Ø125 mm castors with central brake)	43
(Base for 85+90+105 cm width)	37



Yes, you can.®

TABLE OF CONTENTS

(Ø150 mm castors with central brake)	44
(Base for 85+90+105 cm width)	37
(Central brake system with dir. control for 85+90+105 cm width)	45
(Ø100 mm castors with central brake and dir. control)	46
(Base for 85+90+105 cm width)	37
(Ø125 mm castors with central brake and dir. control)	47
(Base for 85+90+105 cm width)	37
(Ø150 mm castors with central brake and dir. control)	48
(Base for 85+90+105 cm width)	37
(Central brake system with dir. control for 120 cm width)	49
(Ø125 mm castors with central brake and dir. control, 120 cm width)	50
(Base for 120 cm width)	38
(Lowering kit, 75mm castor)	51
(Lowering kit, Ø75 mm castor)	52

(Bed ends and -plates)

(Oda bed end)	53
(Piggy bed end)	54
(Flex III bed end)	55
(Karin bed end)	56
(Sanne bed end)	57

(Electrical parts and gas springs)

(Motor for back rest)	58
(Motor for backrest)	59
(Motor for backrest, with emergency lowering handle)	60
(Motor for backrest, V0)	61
(Motor for thigh section)	62
(Motor for thigh section)	63
(Motor for thigh section, V0)	64
(Motor and gas spring for leg section)	65
(Motor for leg section)	66
(Motor for leg section, V0)	67
(Gas spring for 85 cm width)	68
(Gas spring for 90 cm width)	69
(Motor for height adjustment)	70
(Motor for height adjustment)	71
(Motor for height adjustment, 120 cm width)	72
(Motor for height adjustment, 85+90+105 cm width, V0)	73
(Motor for height adjustment, 120 cm width, V0)	74
(Control unit for 85+90 cm width)	75
(Control unit without accumulator backup, 4 motors, EU)	76
(Control unit without accumulator backup, 3 motors, EU)	77
(Control unit with accumulator backup, 4 motors, EU)	78
(Control unit with accumulator backup, 3 motors, EU)	79
(Control unit without accumulator backup, 4 motors, UK)	80
(Control unit with accumulator backup, 4 motors, UK)	81
(Control unit without accumulator backup, 4 motors, Japan)	82
(Control unit with battery backup)	83
(Control unit without accumulator backup, 4 motors, V0, EU)	84
(Control unit for 105+120 cm width)	85



Yes, you can.[®]

TABLE OF CONTENTS

(Control unit without accumulator backup, 4 motors, EU)	86
(Control unit without accumulator backup, 4 motors, V0, EU)	87
(Handcontrol)	88
(ACP box with accessories)	89

(Side rails)

(Britt III side rail, for 183 cm length)	90
(Britt III side rail)	91
(Britt II side rail, extended)	92
(Britt IV side rail)	93


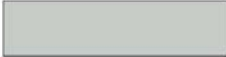
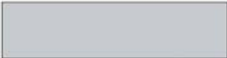
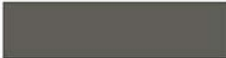

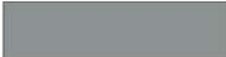








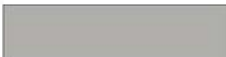



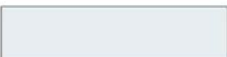
(Lifting pole)

(Lifting pole)	94
----------------------	----

(Accessories)

(Support handles)	95
(Drip stand IV)	96
(Support for hand control)	97
(Sit-up handle)	98

(Steel and plastic colours)


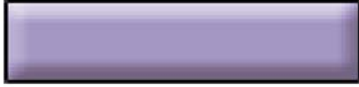

Chromated, glossy 0001		0153		7035
Zinc, natural 0002		0154		7039
Zinc, black 0003		1015		7042
Anodized, black 0004		3004		7046
Anodized, natural 0005		5002		8016
Chromated, matte 0011		7012		9005
		7016		9006
		7032		9010
		0152		

NB: Colours are for reference only
Not all colours are available for all products

(Not for separate sale - please contact Invacare)

1

(Wood types)

 Beech	0101		0112
 Cherry	0102		0113
 Mahogany	0103		0114
 Light beech	0105		0115
	0110		0116
	0111		0117

-

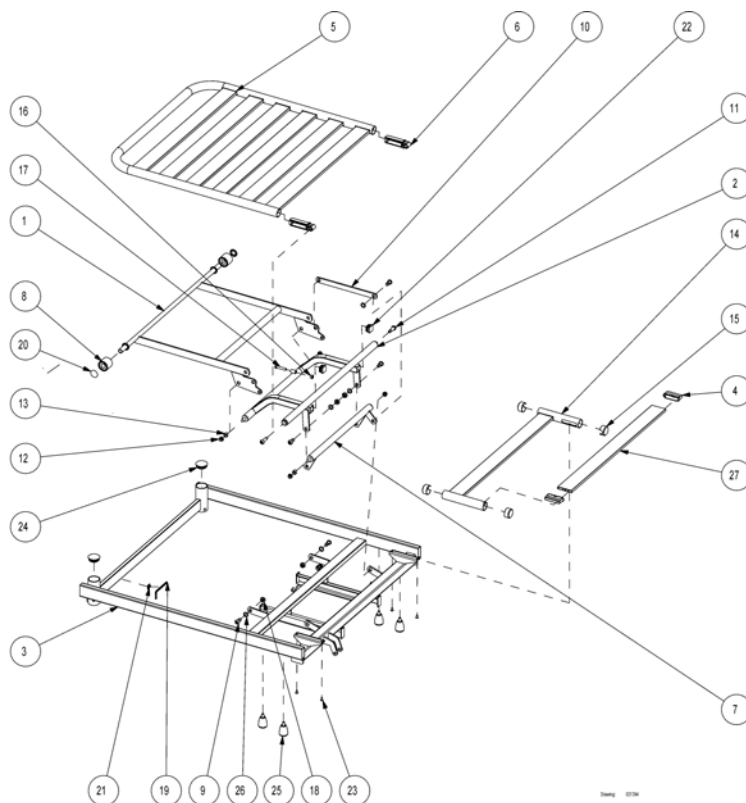
(Not for separate sale - please contact Invacare)

1

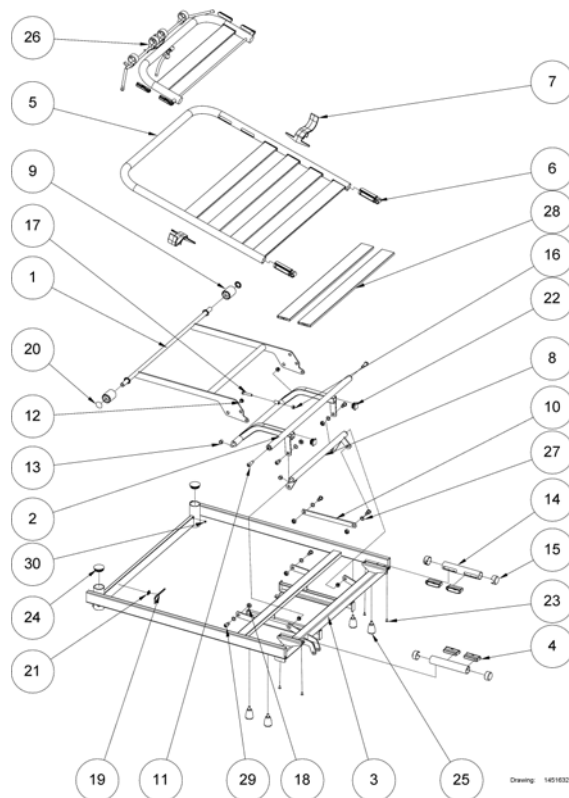
(Mattress support 85 cm width with wooden lamellas)

-	(Top frame, head end, 183+200 cm length)	1
-	(Top frame, head end, 183+200 cm length, with head rest)	1
-	(Top frame, foot end, 183 cm length)	1
-	(Top frame, foot end, 200 cm length)	1

(Top frame, head end, 183+200 cm length)

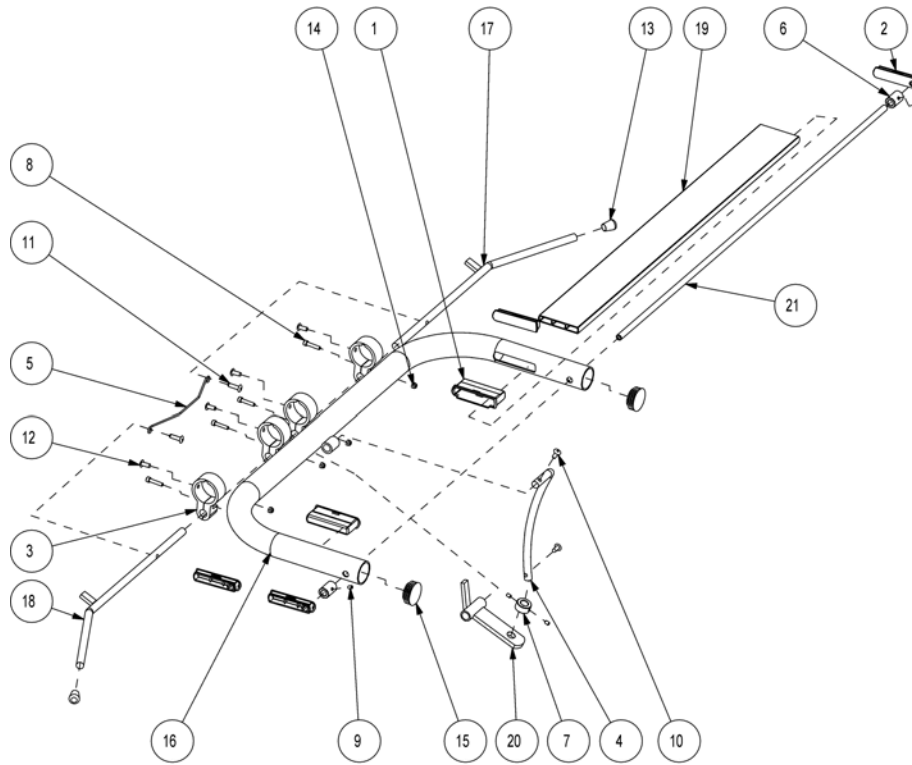


1	219567-1015	LØFTEARM FOR HJERTEBRETT SCANBED 750	1
2	221150-1015	STYREARM HOVED SB750	1
3	221149-1015	OVERRAMME HOEDEDEL SB750 85CM RESERVEDEL	1
4	314884-7035	BESLAG FOR LAMELL SB750 750.	16
5	319787	RØRBØYLE RYGGDEL SB 750 BEST.VARE	1
6	319800	HENGSEL SB 750 BEST.VARE	2
7	320881-1015	ARM PARALLELL RYGGDEL SCANBED SB750	1
8	405479-7035	NYLONRULLE LØFTEARM BEN/ HJERTEBRETT SB 750	2
9	1493130	BRYSTBOLT Ø 12 HØNG SENGER.	6
10	420620-1015	STAG LØFTEARM SCANBED SB750	1
11	420623	BRYSTBOLT SB750	2
12	420625-7035	KRAVEFORING Ø10/Ø13 HVIT LØFTEARM BENDEL SB750 B	4
13	420649-7035	FIXERINGSRØR,LÅSECLIPS VED KRAVEFORING.HVIT	2
14	421459	(Tube for seat section, Ø32,5)	2
15	421460-7035	ENDELOKK LIGGEFLATE SB 750 HVIT BEST.VARE	4
16	802729	(Nut M8 for SB750)	1
17	803008	(Set screw M8x40 St. 8.8 ISO 4017)	1
18	806651	LÅSEMUTTER M10	6
19	811408	(Hexagonal key 5 mm)	1
20	815764	STARLOCK Ø16 SORT EC HØNG SENGER.	2
21	816488	(Cable clips 4,6x4,1)	1
22	1423912-7035	DOPPSKO 45x3,5 SB	2
23	1423996	(Blind rivet Ø4,8x9)	4
24	1432700-7035	DOPPSKO PLAST FOR FESTE LØFTEBØYLE GRÅ	2
25	1435325-7035	SKRUE DELING LIGGEFLATE SB 785 GRÅ	4
26	1446475	SKIVE FIBER Ø12X19X05 EC HØNG SENGER.	6
27	420628	(Lamella for mattress support, 705 mm, wood)	8

(Top frame, head end, 183+200 cm length, with head rest)

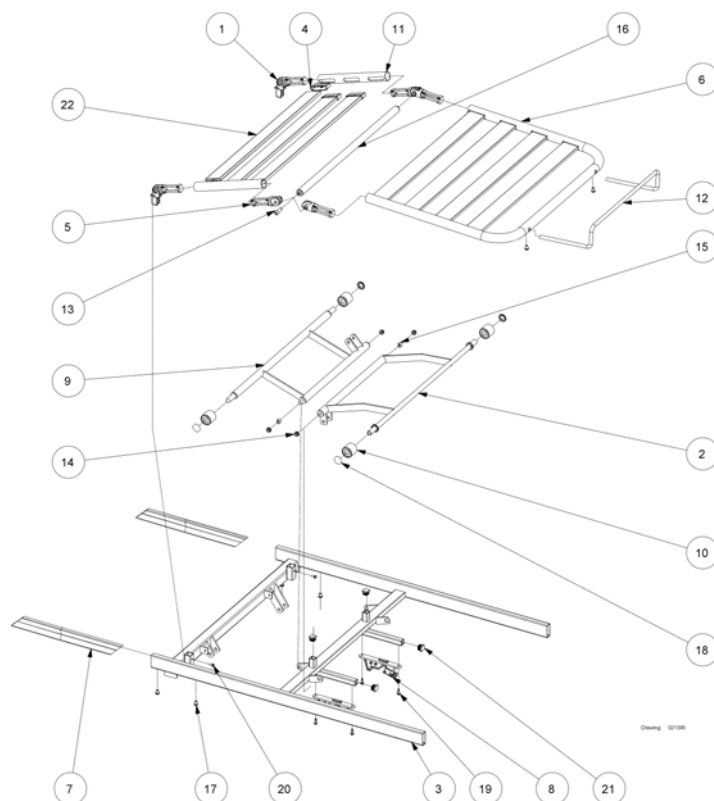
26	-	(Head rest)	1
1	219567-1015	LØFTEARM FOR HJERTEBRETT SCANBED 750	1
2	221150-1015	STYREARM HOVED SB750	1
3	221149-1015	OVERRAMME HODEDEL SB750 85CM RESERVEDEL	1
4	314884-7035	BESLAG FOR LAMELL SB750 750.	12
5	319787	RØRBØYLE RYGGDEL SB 750 BEST.VARE	1
6	319800	HENGSEL SB 750 BEST.VARE	2
7	320584-7035	MADRASSTØTTE LYS GRÅ PLAST SB 750 90 CM BRED	2
8	320881-1015	ARM PARALELL RYGGDEL SCANBED SB750	1
9	405479-7035	NYLONRULLE LØFTEARM BEN/ HJERTEBRETT SB 750	2
10	420620-1015	STAG LØFTEARM SCANBED SB750	1
11	420623	BRYSTBOLT SB750	2
12	420625-7035	KRAVEFORING Ø10/Ø13 HVIT LØFTEARM BENDEL SB750 B	4
13	420649-7035	FIXERINGSRØR,LÅSECLIPS VED KRAVEFORING.HVIT	2
14	421459	(Tube for seat section, Ø32,5)	2
15	421460-7035	ENDELOKK LIGGEFLATE SB 750 HVIT BEST.VARE	4
16	802729	(Nut M8 for SB750)	1
17	803008	(Set screw M8x40 St. 8.8 ISO 4017)	1
18	806651	LÅSEMUTTER M10	6
19	811408	(Hexagonal key 5 mm)	1
20	815764	STARLOCK Ø16 SORT EC HØNG SENGER.	2
21	816488	(Cable clips 4,6x4,1)	1
22	1423912-7035	DOPPSKO 45x3,5 SB	2
23	1423996	(Blind rivet Ø4,8x9)	4
24	1432700-7035	DOPPSKO PLAST FOR FESTE LØFTEBØYLE GRÅ	2
25	1435325-7035	SKRUE DELING LIGGEFLATE SB 785 GRÅ	4
27	1446475	SKIVE FIBER Ø12X19X05 EC HØNG SENGER.	6
28	420628	(Lamella for mattress support, 705 mm, wood)	6
29	1493130	BRYSTBOLT Ø 12 HØNG SENGER.	6
30	1538319	(Plastic cap Ø8)	2

(Head rest)



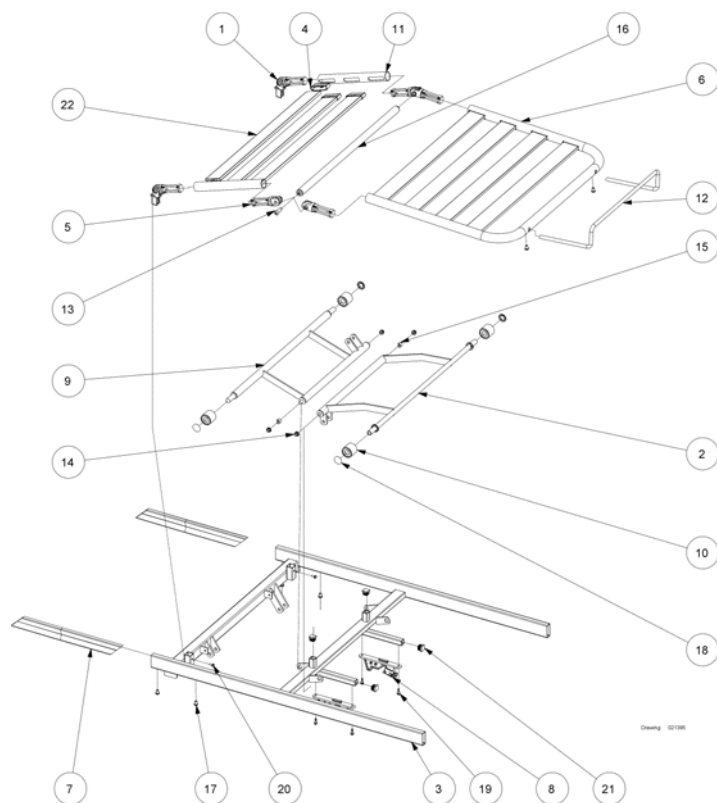
Drawing: 1441324

1	314884-7035	BESLAG FOR LAMELL SB750 750.	2
2	316825-7035	(Bracket for head rest, RAL 7035)	4
3	316839-7035	(Holder for head rest, RAL 7035)	4
4	409155.60	ELEVASJONSSTAG TIL HODE- STØTTE EC-38	1
5	410739	FJÆR	1
6	416785	(Bushing Ø15xØ8,1x22,5)	2
7	416788.60	(Stop ring Ø20/Ø10,5x10)	1
8	803024	(Screw M4x20 St. 8.8 ISO 4762)	4
9	803216	(Screw M4x6 ISO 4029)	4
10	803809	(Rivet Ø4,8x10)	2
11	803811	(Rivet Ø4,8x16)	2
12	803833	POPNAGLE HENGSELLEDD SCANBED	4
13	804387	DOPPSKO Ø9 GUMMI SORT TYPE 265	2
14	804464	(Nut M4 ISO 10512 self locking)	4
15	809982	DOPPSKO	2
17	1441322-1015	(Release arm for head rest, right)	1
18	1441323-1015	(Release arm for head rest, left)	1
19	1443906	(Lamella, wooden, 602x62x9,5)	1
20	1443909-1015	(Locking lug with bushing/stop for head rest)	1
21	1443910-0002	(Rotation tube for head rest Ø8x1,5x710)	1

(Top frame, foot end, 183 cm length)

1	021351	HENGSELFESTE KPL SB750 LIGGEFLATE LÅRDEL	2
2	221146-1015	LØFTEARM BENDEL SB 750 85 X 183 CM	1
3	221134-1015	(Top frame, foot end, 85x183 cm)	1
4	314884-7035	BESLAG FOR LAMELL SB750 750.	12
5	314885	HENGSELLEDD OVERRAMME KNELEDD	4
6	320850	RØRBØYLE FOTDEL LIGGEFLATEF SB 750	1
7	320516.60	INNSKUDSRØR SB750 45X15X1,5X400	2
8	320529-7035	LÅSEBESALG SCANBED DELING SEN	2
9	320882-1015	LØFTEARM FOR LÅRDEL SCANBED 750	1
10	405479-7035	NYLONRULLE LØFTEARM BEN/ HJERTEBRETT SB 750	4
11	420127	RØRSTYKKE LÅRDEL SB 750	2
13	420623	BRYSTBOLT SB750	2
14	420625-7035	KRAVEFORING Ø10/Ø13 HVIT LØFTEARM BENDEL SB750 B	4
15	420649-7035	FIXERINGSRØR,LÅSECLIPS VED KRAVEFORING.HVIT	2
16	421458-1015	PROPRØR SB 750	1
17	812875	SKRUE M8X12 FOR ENDEGAVL FESTE SENGER OG HJUL	6
18	815764	STARLOCK Ø16 SORT EC HØNG SENGER.	4
19	819407	SKRUE SELVORENDE 5X19BEST.VARE	4
20	821235	(Screw Ø5x12, thread forming)	2
21	1423915	DOPPSKO 20x20	4
22	420628	(Lamella for mattress support, 705 mm, wood)	6
12	420163-0005	(Mattress retainer Ø12)	1

(Top frame, foot end, 200 cm length)

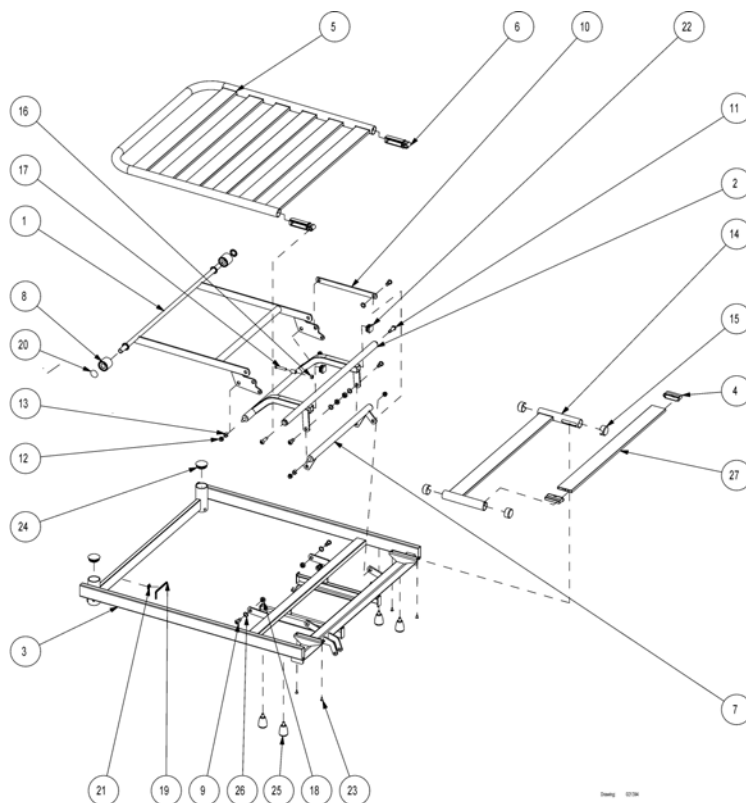


1	021351	HENGSELFESTE KPL SB750 LIGGEFLATE LÅRDEL	2
2	221155-1015	LØFTEARM BENDEL SB 750 U/RULLER 85/90 X 200 CM	1
3	221154-1015	OVERRAMME FOTDEL SB750 85CM.KUN YTTERRAMME	1
4	314884-7035	BESLAG FOR LAMELL SB750 750.	14
5	314885	HENGSELLEDD OVERRAMME KNELEDD	4
6	319788	RØRBYLE BENDEL ALU SB 750	1
7	320516.60	INNSKUDSRØR SB750 45X15X1,5X400	2
8	320529-7035	LÅSEBESALG SCANBED DELING SEN	2
9	320882-1015	LØFTEARM FOR LÅRDEL SCANBED 750	1
10	405479-7035	NYLONRULLE LØFTEARM BEN/ HJERTEBRETT SB 750	4
11	420127	RØRSTYKKE LÅRDEL SB 750	2
13	420623	BRYSTBOLT SB750	2
14	420625-7035	KRAVEFORING Ø10/Ø13 HVIT LØFTEARM BENDEL SB750 B	4
15	420649-7035	FIXERINGSRØR,LÅSECLIPS VED KRAVEFORING.HVIT	2
16	421458-1015	PROPRØR SB 750	1
17	812875	SKRUE M8X12 FOR ENDEGAVL FESTE SENGER OG HJUL	6
18	815764	STARLOCK Ø16 SORT EC HØNG SENGER.	4
19	819407	SKRUE SELVORENDE 5X19BEST.VARE	4
20	821235	(Screw Ø5x12, thread forming)	2
21	1423915	DOPPSKO 20x20	4
22	420628	(Lamella for mattress support, 705 mm, wood)	7
12	420163-0005	(Mattress retainer Ø12)	1

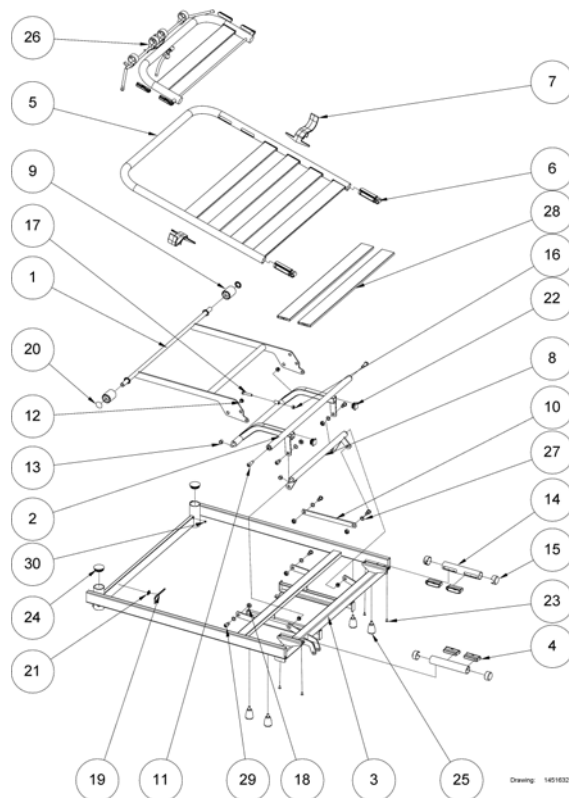
(Mattress support 85 cm width with aluminium lamellas)

-	(Top frame, head end, 183+200 cm length)	1
-	(Top frame, head end, 183+200 cm length, with head rest)	1
-	(Top frame, foot end, 183 cm length)	1
-	(Top frame, foot end, 200 cm length)	1

(Top frame, head end, 183+200 cm length)

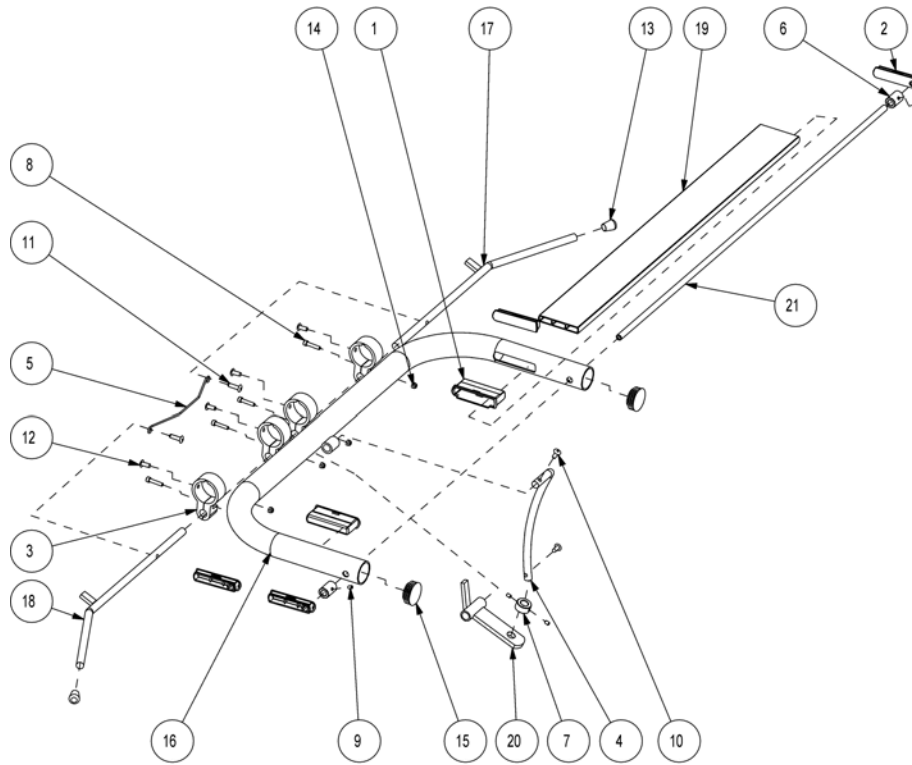


1	219567-1015	LØFTEARM FOR HJERTEBRETT SCANBED 750	1
2	221150-1015	STYREARM HOVED SB750	1
3	221149-1015	OVERRAMME HOEDEDEL SB750 85CM RESERVEDEL	1
4	314884-7035	BESLAG FOR LAMELL SB750 750.	16
5	319787	RØRBØYLE RYGGDEL SB 750 BEST.VARE	1
6	319800	HENGSEL SB 750 BEST.VARE	2
7	320881-1015	ARM PARALELL RYGGDEL SCANBED SB750	1
8	405479-7035	NYLONRULLE LØFTEARM BEN/ HJERTEBRETT SB 750	2
9	1493130	BRYSTBOLT Ø 12 HØNG SENGER.	6
10	420620-1015	STAG LØFTEARM SCANBED SB750	1
11	420623	BRYSTBOLT SB750	2
12	420625-7035	KRAVEFORING Ø10/Ø13 HVIT LØFTEARM BENDEL SB750 B	4
13	420649-7035	FIXERINGSRØR,LÅSECLIPS VED KRAVEFORING.HVIT	2
14	421459	(Tube for seat section, Ø32,5)	2
15	421460-7035	ENDELOKK LIGGEFLATE SB 750 HVIT BEST.VARE	4
16	802729	(Nut M8 for SB750)	1
17	803008	(Set screw M8x40 St. 8.8 ISO 4017)	1
18	806651	LÅSEMUTTER M10	6
19	811408	(Hexagonal key 5 mm)	1
20	815764	STARLOCK Ø16 SORT EC HØNG SENGER.	2
21	816488	(Cable clips 4,6x4,1)	1
22	1423912-7035	DOPPSKO 45x3,5 SB	2
23	1423996	(Blind rivet Ø4,8x9)	4
24	1432700-7035	DOPPSKO PLAST FOR FESTE LØFTEBØYLE GRÅ	2
25	1435325-7035	SKRUE DELING LIGGEFLATE SB 785 GRÅ	2
26	1446475	SKIVE FIBER Ø12X19X05 EC HØNG SENGER.	6
27	1484059	LAMELLER SENGEUNN 85 CM SB 750 ALU. BEST.VARE	8

(Top frame, head end, 183+200 cm length, with head rest)

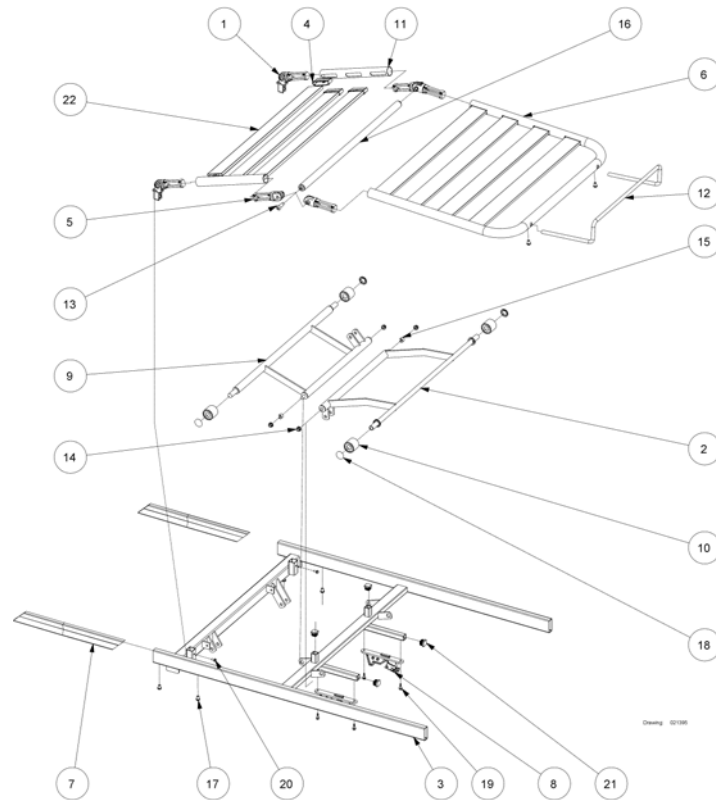
26	-	(Head rest)	1
1	219567-1015	LØFTEARM FOR HJERTEBRETT SCANBED 750	1
2	221150-1015	STYREARM HOVED SB750	1
3	221149-1015	OVERRAMME HODEDEL SB750 85CM RESERVEDEL	1
4	314884-7035	BESLAG FOR LAMELL SB750 750.	12
5	319787	RØRBØYLE RYGGDEL SB 750 BEST.VARE	1
6	319800	HENGSEL SB 750 BEST.VARE	2
7	320584-7035	MADRASSTØTTE LYS GRÅ PLAST SB 750 90 CM BRED	2
8	320881-1015	ARM PARALELL RYGGDEL SCANBED SB750	1
9	405479-7035	NYLONRULLE LØFTEARM BEN/ HJERTEBRETT SB 750	2
10	420620-1015	STAG LØFTEARM SCANBED SB750	1
11	420623	BRYSTBOLT SB750	2
12	420625-7035	KRAVEFORING Ø10/Ø13 HVIT LØFTEARM BENDEL SB750 B	4
13	420649-7035	FIXERINGSRØR,LÅSECLIPS VED KRAVEFORING.HVIT	2
14	421459	(Tube for seat section, Ø32,5)	2
15	421460-7035	ENDELOKK LIGGEFLATE SB 750 HVIT BEST.VARE	4
16	802729	(Nut M8 for SB750)	1
17	803008	(Set screw M8x40 St. 8.8 ISO 4017)	1
18	806651	LÅSEMUTTER M10	6
19	811408	(Hexagonal key 5 mm)	1
20	815764	STARLOCK Ø16 SORT EC HØNG SENGER.	2
21	816488	(Cable clips 4,6x4,1)	1
22	1423912-7035	DOPPSKO 45x3,5 SB	2
23	1423996	(Blind rivet Ø4,8x9)	4
24	1432700-7035	DOPPSKO PLAST FOR FESTE LØFTEBØYLE GRÅ	2
25	1435325-7035	SKRUE DELING LIGGEFLATE SB 785 GRÅ	4
27	1446475	SKIVE FIBER Ø12X19X05 EC HØNG SENGER.	6
28	1484059	LAMELLER SENGEVUNN 85 CM SB 750 ALU. BEST.VARE	6
29	1493130	BRYSTBOLT Ø 12 HØNG SENGER.	6
30	1538319	(Plastic cap Ø8)	2

(Head rest)



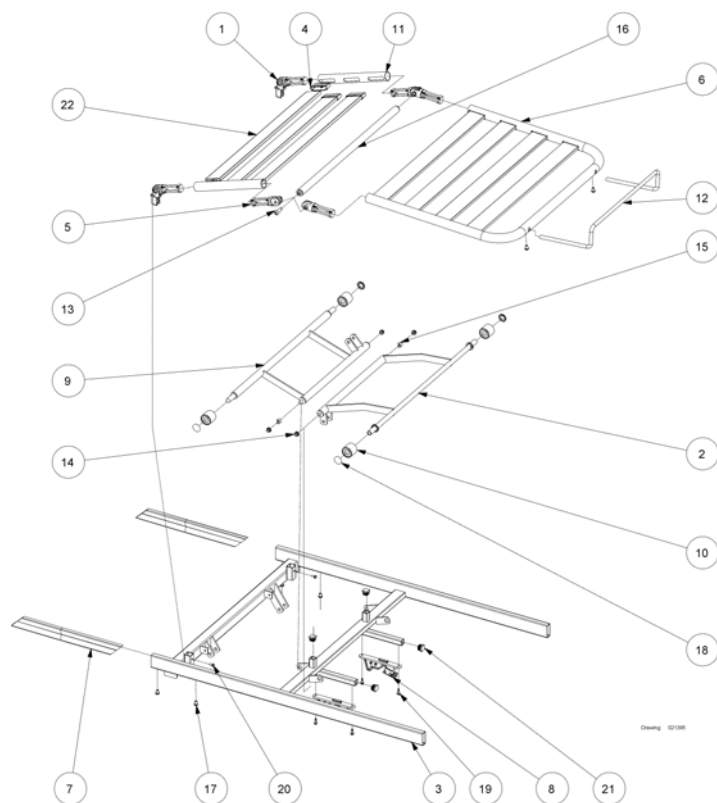
Drawing: 1441324

1	314884-7035	BESLAG FOR LAMELL SB750 750.	2
2	316825-7035	(Bracket for head rest, RAL 7035)	4
3	316839-7035	(Holder for head rest, RAL 7035)	4
4	409155.60	ELEVASJONSSTAG TIL HODE- STØTTE EC-38	1
5	410739	FJÆR	1
6	416785	(Bushing Ø15xØ8,1x22,5)	2
7	416788.60	(Stop ring Ø20/Ø10,5x10)	1
8	803024	(Screw M4x20 St. 8.8 ISO 4762)	4
9	803216	(Screw M4x6 ISO 4029)	4
10	803809	(Rivet Ø4,8x10)	2
11	803811	(Rivet Ø4,8x16)	2
12	803833	POPNAGLE HENGSELLEDD SCANBED	4
13	804387	DOPPSKO Ø9 GUMMI SORT TYPE 265	2
14	804464	(Nut M4 ISO 10512 self locking)	4
15	809982	DOPPSKO	2
17	1441322-1015	(Release arm for head rest, right)	1
18	1441323-1015	(Release arm for head rest, left)	1
20	1443909-1015	(Locking lug with bushing/stop for head rest)	1
21	1443910-0002	(Rotation tube for head rest Ø8x1,5x710)	1

(Top frame, foot end, 183 cm length)

1	021351	HENGSELFESTE KPL SB750 LIGGEFLATE LÅRDEL	2
2	221146-1015	LØFTEARM BENDEL SB 750 85 X 183 CM	1
3	221134-1015	(Top frame, foot end, 85x183 cm)	1
4	314884-7035	BESLAG FOR LAMELL SB750 750.	12
5	314885	HENGSELLEDD OVERRAMME KNELEDD	4
6	320850	RØRBØYLE FOTDEL LIGGEFLATEF SB 750	1
7	320516.60	INNSKUDSRØR SB750 45X15X1,5X400	2
8	320529-7035	LÅSEBESALG SCANBED DELING SEN	2
9	320882-1015	LØFTEARM FOR LÅRDEL SCANBED 750	1
10	405479-7035	NYLONRULLE LØFTEARM BEN/ HJERTEBRETT SB 750	4
11	420127	RØRSTYKKE LÅRDEL SB 750	2
13	420623	BRYSTBOLT SB750	2
14	420625-7035	KRAVEFORING Ø10/Ø13 HVIT LØFTEARM BENDEL SB750 B	4
15	420649-7035	FIXERINGSRØR,LÅSECLIPS VED KRAVEFORING.HVIT	2
16	421458-1015	PROPRØR SB 750	1
17	812875	SKRUE M8X12 FOR ENDEGAVL FESTE SENGER OG HJUL	6
18	815764	STARLOCK Ø16 SORT EC HØNG SENGER.	4
19	819407	SKRUE SELVORENDE 5X19BEST.VARE	4
20	821235	(Screw Ø5x12, thread forming)	2
21	1423915	DOPPSKO 20x20	4
22	1484059	LAMELLER SENGEBUNN 85 CM SB 750 ALU. BEST.VARE	7
12	420163-0005	(Mattress retainer Ø12)	1

(Top frame, foot end, 200 cm length)

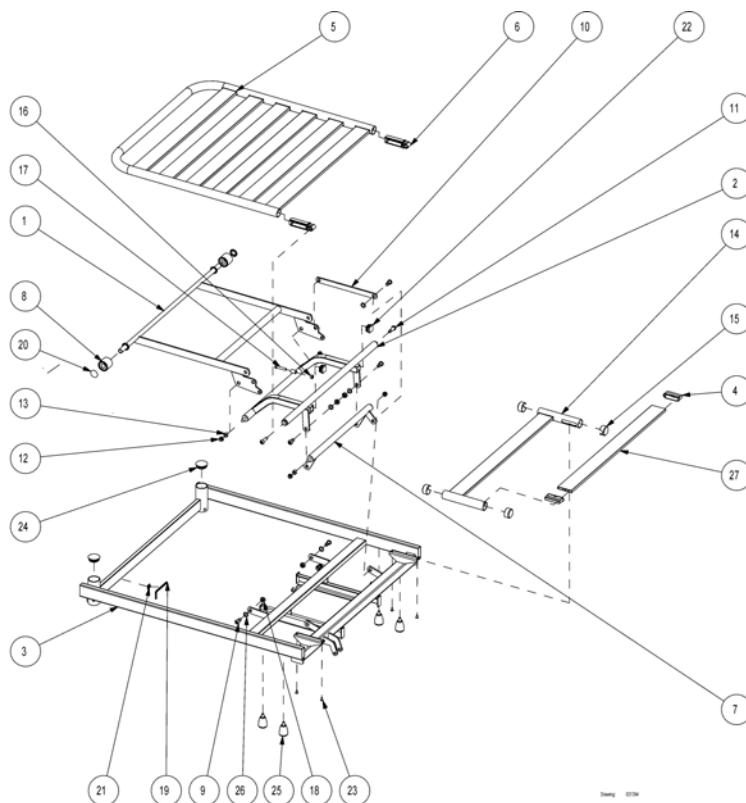


1	021351	HENGSELFESTE KPL SB750 LIGGEFLATE LÅRDEL	2
2	221155-1015	LØFTEARM BENDEL SB 750 U/RULLER 85/90 X 200 CM	1
3	221154-1015	OVERRAMME FOTDEL SB750 85CM.KUN YTTERRAMME	1
3	221162-1015	(Top frame, foot end, 90x200 cm)	1
4	314884-7035	BESLAG FOR LAMELL SB750 750.	14
5	314885	HENGSELLEDD OVERRAMME KNELEDD	4
6	319788	RØRBYLE BENDEL ALU SB 750	1
7	320516.60	INNSKUDSRØR SB750 45X15X1,5X400	2
8	320529-7035	LÅSEBESALG SCANBED DELING SEN	2
9	320882-1015	LØFTEARM FOR LÅRDEL SCANBED 750	1
10	405479-7035	NYLONRULLE LØFTEARM BEN/ HJERTEBRETT SB 750	4
11	420127	RØRSTYKKE LÅRDEL SB 750	2
12	420163-0005	(Mattress retainer Ø12)	1
13	420623	BRYSTBOLT SB750	2
14	420625-7035	KRAVEFORING Ø10/Ø13 HVIT LØFTEARM BENDEL SB750 B	4
15	420649-7035	FIXERINGSRØR,LÅSECLIPS VED KRAVEFORING.HVIT	2
16	421458-1015	PROPRØR SB 750	1
17	812875	SKRUE M8X12 FOR ENDEGAVL FESTE SENGER OG HJUL	6
18	815764	STARLOCK Ø16 SORT EC HØNG SENGER.	4
19	819407	SKRUE SELVORENDE 5X19BEST.VARE	4
20	821235	(Screw Ø5x12, thread forming)	2
21	1423915	DOPPSKO 20x20	4
22	1484059	LAMELLER SENGEVUNN 85 CM SB 750 ALU. BEST.VARE	7

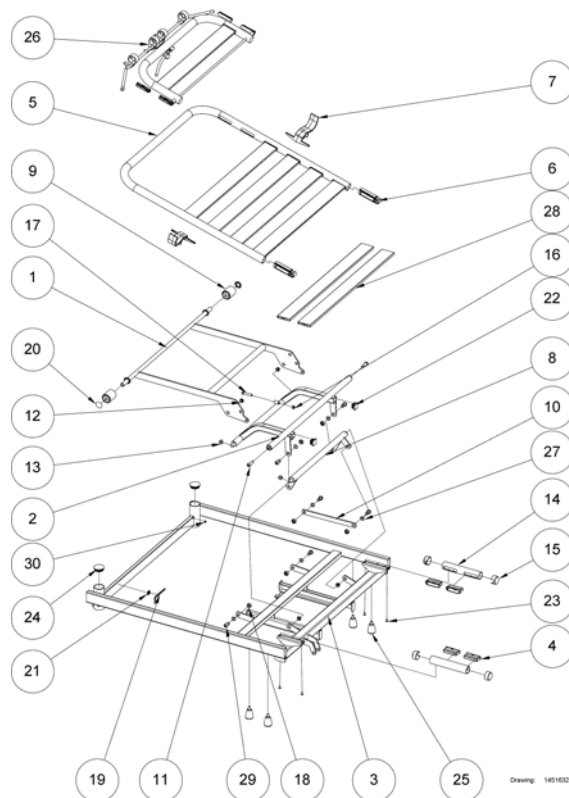
(Mattress support 90 cm width with wooden lamellas)

-	(Top frame, head end, 183+200 cm length)	1
-	(Top frame, head end, 183+200 cm length, with head rest)	1
-	(Top frame, foot end, 183 cm length)	1
-	(Top frame, foot end, 200 cm length)	1

(Top frame, head end, 183+200 cm length)

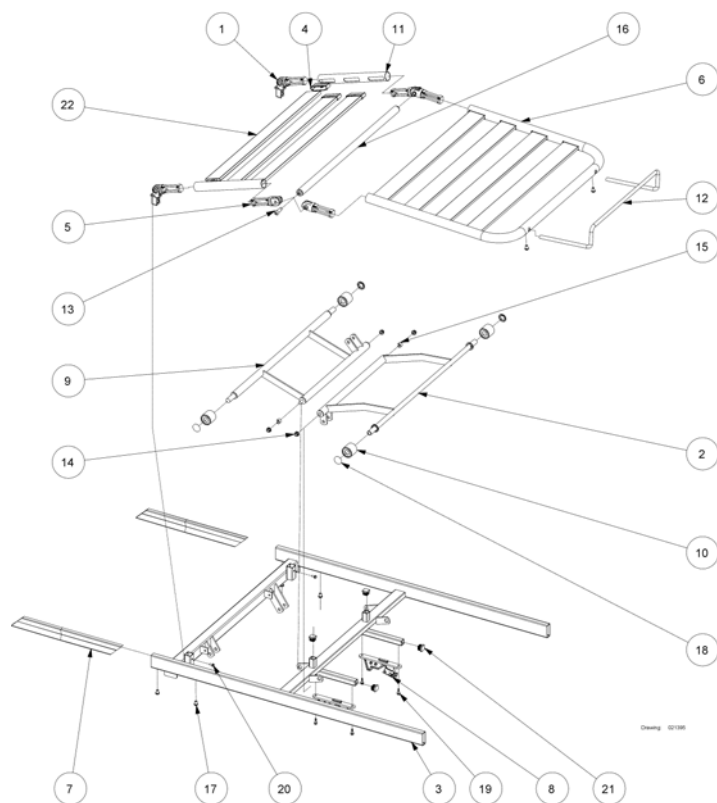


1	219567-1015	LØFTEARM FOR HJERTEBRETT SCANBED 750	1
2	221150-1015	STYREARM HOVED SB750	1
3	221161-1015	(Top frame, head end, 90 cm width)	1
4	314884-7035	BESLAG FOR LAMELL SB750 750.	16
5	319787	RØRBØYLE RYGGDEL SB 750 BEST.VARE	1
6	319800	HENGSEL SB 750 BEST.VARE	2
7	320881-1015	ARM PARALELL RYGGDEL SCANBED SB750	1
8	405479-7035	NYLONRULLE LØFTEARM BEN/ HJERTEBRETT SB 750	2
9	1493130	BRYSTBOLT Ø 12 HØNG SENGER.	6
10	420620-1015	STAG LØFTEARM SCANBED SB750	1
11	420623	BRYSTBOLT SB750	2
12	420625-7035	KRAVEFORING Ø10/Ø13 HVIT LØFTEARM BENDEL SB750 B	4
13	420649-7035	FIXERINGSRØR,LÅSECLIPS VED KRAVEFORING.HVIT	2
14	421459	(Tube for seat section, Ø32,5)	2
15	421460-7035	ENDELOKK LIGGEFLATE SB 750 HVIT BEST.VARE	4
16	802729	(Nut M8 for SB750)	1
17	803008	(Set screw M8x40 St. 8.8 ISO 4017)	1
18	806651	LÅSEMUTTER M10	6
19	811408	(Hexagonal key 5 mm)	1
20	815764	STARLOCK Ø16 SORT EC HØNG SENGER.	2
21	816488	(Cable clips 4,6x4,1)	1
22	1423912-7035	DOPPSKO 45x3,5 SB	2
23	1423996	(Blind rivet Ø4,8x9)	4
24	1432700-7035	DOPPSKO PLAST FOR FESTE LØFTEBØYLE GRÅ	2
25	1435325-7035	SKRUE DELING LIGGEFLATE SB 785 GRÅ	4
26	1446475	SKIVE FIBER Ø12X19X05 EC HØNG SENGER.	6
27	420628	(Lamella for mattress support, 705 mm, wood)	8

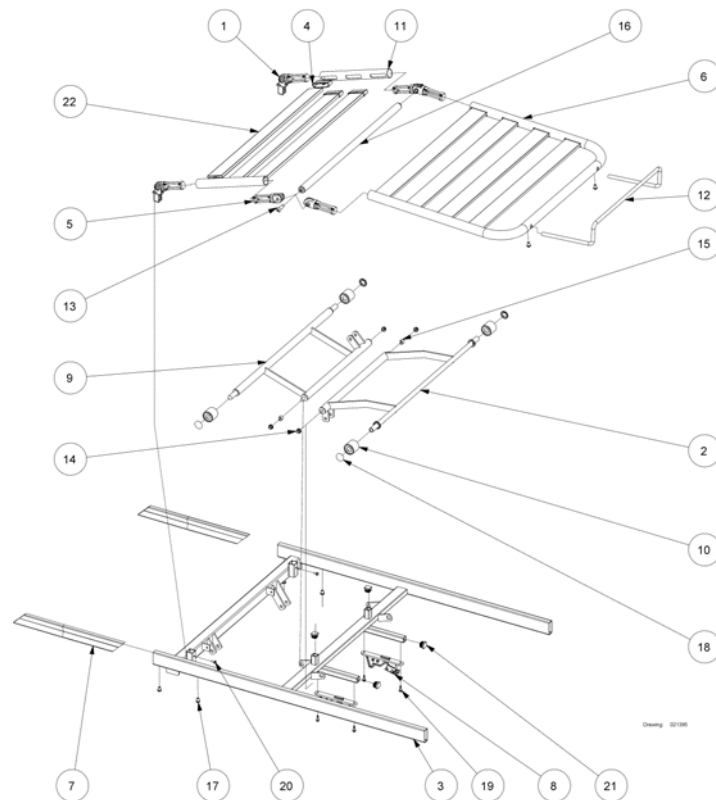
(Top frame, head end, 183+200 cm length, with head rest)

26	-	(Head rest)	1
1	219567-1015	LØFTEAM FOR HJERTEBRETT SCANBED 750	1
2	221150-1015	STYREARM HOVED SB750	1
3	221161-1015	(Top frame, head end, 90 cm width)	1
4	314884-7035	BESLAG FOR LAMELL SB750 750.	14
5	319787	RØRBØYLE RYGGDEL SB 750 BEST.VARE	1
6	319800	HENGSEL SB 750 BEST.VARE	2
7	320584-7035	MADRASSTØTTE LYS GRÅ PLAST SB 750 90 CM BRED	2
8	320881-1015	ARM PARALELL RYGGDEL SCANBED SB750	1
9	405479-7035	NYLONRULLE LØFTEAM BEN/ HJERTEBRETT SB 750	2
10	420620-1015	STAG LØFTEAM SCANBED SB750	1
11	420623	BRYSTBOLT SB750	2
12	420625-7035	KRAVEFORING Ø10/Ø13 HVIT LØFTEAM BENDEL SB750 B	4
13	420649-7035	FIXERINGSRØR,LÅSECLIPS VED KRAVEFORING.HVIT	2
14	421459	(Tube for seat section, Ø32,5)	2
15	421460-7035	ENDELOKK LIGGEFLATE SB 750 HVIT BEST.VARE	4
16	802729	(Nut M8 for SB750)	1
17	803008	(Set screw M8x40 St. 8.8 ISO 4017)	1
18	806651	LÅSEMUTTER M10	6
19	811408	(Hexagonal key 5 mm)	1
20	815764	STARLOCK Ø16 SORT EC HØNG SENGER.	2
21	816488	(Cable clips 4,6x4,1)	1
22	1423912-7035	DOPPSKO 45x3,5 SB	2
23	1423996	(Blind rivet Ø4,8x9)	4
24	1432700-7035	DOPPSKO PLAST FOR FESTE LØFTEBØYLE GRÅ	2
25	1435325-7035	SKRUE DELING LIGGEFLATE SB 785 GRÅ	2
27	1446475	SKIVE FIBER Ø12X19X05 EC HØNG SENGER.	6
28	420628	(Lamella for mattress support, 705 mm, wood)	6
29	1493130	BRYSTBOLT Ø 12 HØNG SENGER.	6
30	1538319	(Plastic cap Ø8)	2

(Top frame, foot end, 183 cm length)



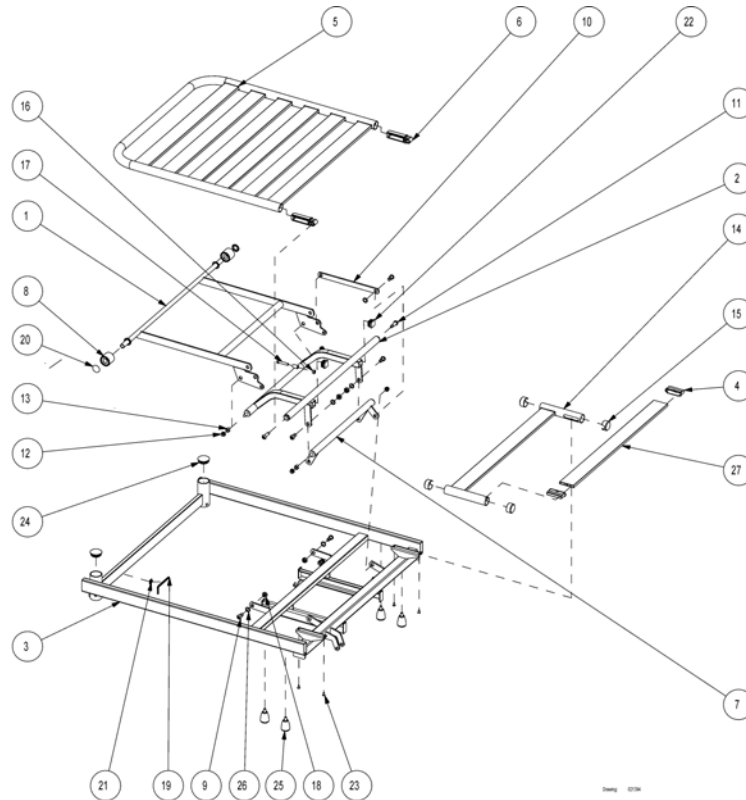
1	021351	HENGSELFESTE KPL SB750 LIGGEFLATE LÅRDEL	2
2	221146-1015	LØFTEARM BENDEL SB 750 85 X 183 CM	1
3	221165-1015	(Top frame, foot end, 90x183 cm)	1
4	314884-7035	BESLAG FOR LAMELL SB750 750.	12
5	314885	HENGSELLEDD OVERRAMME KNELEDD	4
6	320850	RØRBØYLE FOTDEL LIGGEFLATE SB 750	1
7	320516.60	INNSKUDSRØR SB750 45X15X1,5X400	2
8	320529-7035	LÅSEBESALG SCANBED DELING SENG	2
9	320882-1015	LØFTEARM FOR LÅRDEL SCANBED 750	1
10	405479-7035	NYLONRULLE LØFTEARM BEN/ HJERTEBRETT SB 750	4
11	420127	RØRSTYKKE LÅRDEL SB 750	2
13	420623	BRYSTBOLT SB750	2
14	420625-7035	KRAVEFORING Ø10/Ø13 HVIT LØFTEARM BENDEL SB750 B	4
15	420649-7035	FIXERINGSRØR,LÅSECLIPS VED KRAVEFORING.HVIT	2
16	421458-1015	PROPRØR SB 750	1
17	812875	SKRUE M8X12 FOR ENDEGAVL FESTE SENGER OG HJUL	6
18	815764	STARLOCK Ø16 SORT EC HØNG SENGER.	4
19	819407	SKRUE SELVORENDE 5X19BEST.VARE	4
20	821235	(Screw Ø5x12, thread forming)	2
21	1423915	DOPPSKO 20x20	4
22	420628	(Lamella for mattress support, 705 mm, wood)	7
12	420163-0005	(Mattress retainer Ø12)	1

(Top frame, foot end, 200 cm length)

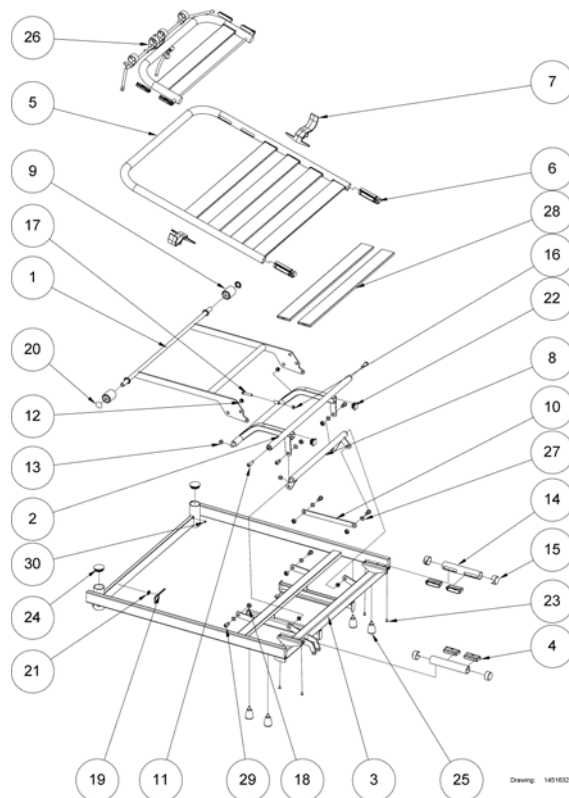
1	021351	HENGSELFESTE KPL SB750 LIGGEFLATE LÅRDEL	2
2	221155-1015	LØFTEARM BENDEL SB 750 U/RULLER 85/90 X 200 CM	1
3	221162-1015	(Top frame, foot end, 90x200 cm)	1
4	314884-7035	BESLAG FOR LAMELL SB750 750.	14
5	314885	HENGSELLEDD OVERRAMME KNELEDD	4
6	319788	RØRBYLE BENDEL ALU SB 750	1
7	320516.60	INNSKUDSRØR SB750 45X15X1,5X400	2
8	320529-7035	LÅSEBESALG SCANBED DELING SEN	2
9	320882-1015	LØFTEARM FOR LÅRDEL SCANBED 750	1
10	405479-7035	NYLONRULLE LØFTEARM BEN/ HJERTEBRETT SB 750	4
11	420127	RØRSTYKKE LÅRDEL SB 750	2
13	420623	BRYSTBOLT SB750	2
14	420625-7035	KRAVEFORING Ø10/Ø13 HVIT LØFTEARM BENDEL SB750 B	4
15	420649-7035	FIXERINGSRØR,LÅSECLIPS VED KRAVEFORING.HVIT	2
16	421458-1015	PROPRØR SB 750	1
17	812875	SKRUE M8X12 FOR ENDEGAVL FESTE SENGER OG HJUL	6
18	815764	STARLOCK Ø16 SORT EC HØNG SENGER.	4
19	819407	SKRUE SELVORENDE 5X19BEST.VARE	4
20	821235	(Screw Ø5x12, thread forming)	2
21	1423915	DOPPSKO 20x20	4
22	420628	(Lamella for mattress support, 705 mm, wood)	7
12	420163-0005	(Mattress retainer Ø12)	1

(Mattress support 90 cm width with aluminium lamellas)

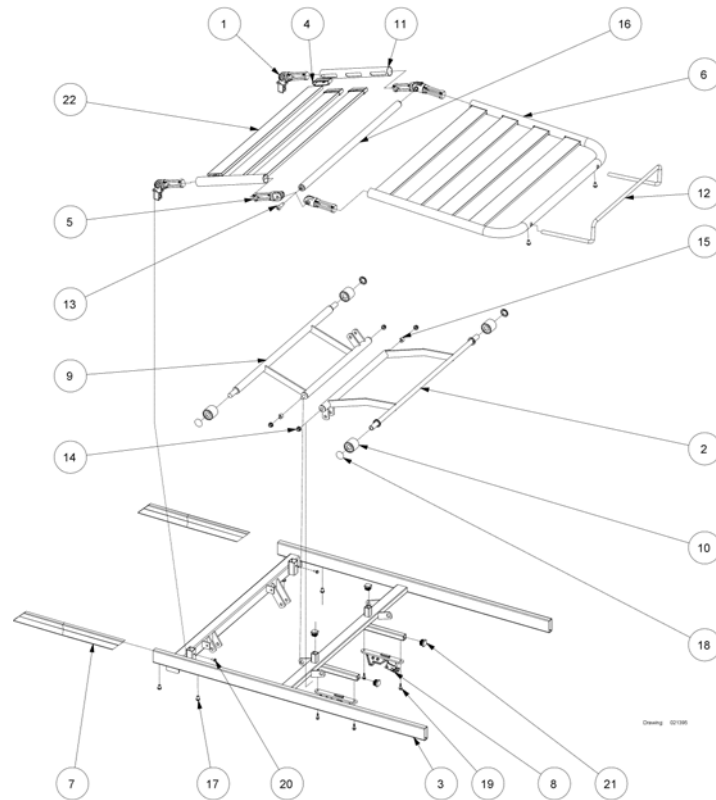
-	(Top frame, head end, 183+200 cm length)	1
-	(Top frame, head end, 183+200 cm length, with head rest)	1
-	(Top frame, foot end, 183 cm length)	1
-	(Top frame, foot end, 200 cm length)	1

(Top frame, head end, 183+200 cm length)

1	219567-1015	LØFTEARM FOR HJERTEBRETT SCANBED 750	1
2	221150-1015	STYREARM HOVED SB750	1
3	221161-1015	(Top frame, head end, 90 cm width)	1
4	314884-7035	BESLAG FOR LAMELL SB750 750.	16
5	319787	RØRBØYLE RYGGDEL SB 750 BEST.VARE	1
6	319800	HENGSEL SB 750 BEST.VARE	2
7	320881-1015	ARM PARALELL RYGGDEL SCANBED SB750	1
8	405479-7035	NYLONRULLE LØFTEARM BEN/ HJERTEBRETT SB 750	2
9	1493130	BRYSTBOLT Ø 12 HØNG SENGER.	6
10	420620-1015	STAG LØFTEARM SCANBED SB750	1
11	420623	BRYSTBOLT SB750	2
12	420625-7035	KRAVEFORING Ø10/Ø13 HVIT LØFTEARM BENDEL SB750 B	4
13	420649-7035	FIXERINGSRØR,LÅSECLIPS VED KRAVEFORING.HVIT	2
14	421459	(Tube for seat section, Ø32,5)	2
15	421460-7035	ENDELOKK LIGGEFLATE SB 750 HVIT BEST.VARE	4
16	802729	(Nut M8 for SB750)	1
17	803008	(Set screw M8x40 St. 8.8 ISO 4017)	1
18	806651	LÅSEMUTTER M10	6
19	811408	(Hexagonal key 5 mm)	1
20	815764	STARLOCK Ø16 SORT EC HØNG SENGER.	2
21	816488	(Cable clips 4,6x4,1)	1
22	1423912-7035	DOPPSKO 45x3,5 SB	2
23	1423996	(Blind rivet Ø4,8x9)	4
24	1432700-7035	DOPPSKO PLAST FOR FESTE LØFTEBØYLE GRÅ	2
25	1435325-7035	SKRUE DELING LIGGEFLATE SB 785 GRÅ	4
26	1446475	SKIVE FIBER Ø12X19X05 EC HØNG SENGER.	6
27	1484059	LAMELLER SENGEUNN 85 CM SB 750 ALU. BEST.VARE	8

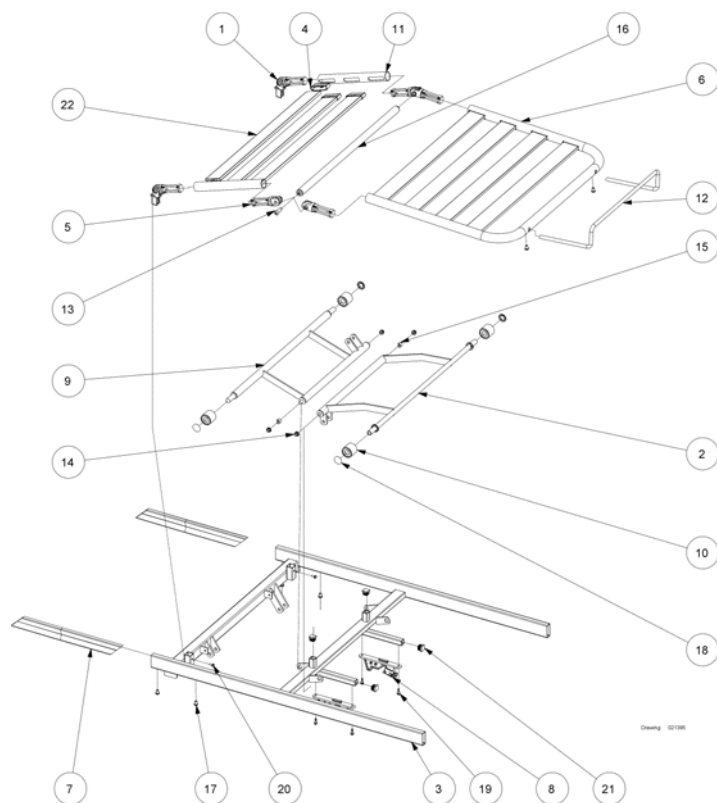
(Top frame, head end, 183+200 cm length, with head rest)

26	-	(Head rest)	1
1	219567-1015	LØFTEARM FOR HJERTEBRETT SCANBED 750	1
2	221150-1015	STYREARM HOVED SB750	1
3	221161-1015	(Top frame, head end, 90 cm width)	1
4	314884-7035	BESLAG FOR LAMELL SB750 750.	12
5	319787	RØRBØYLE RYGGDEL SB 750 BEST.VARE	1
6	319800	HENGSEL SB 750 BEST.VARE	2
7	320584-7035	MADRASSTØTTE LYS GRÅ PLAST SB 750 90 CM BRED	2
8	320881-1015	ARM PARALELL RYGGDEL SCANBED SB750	1
9	405479-7035	NYLONRULLE LØFTEARM BEN/ HJERTEBRETT SB 750	2
10	420620-1015	STAG LØFTEARM SCANBED SB750	1
11	420623	BRYSTBOLT SB750	2
12	420625-7035	KRAVEFORING Ø10/Ø13 HVIT LØFTEARM BENDEL SB750 B	4
13	420649-7035	FIXERINGSRØR,LÅSECLIPS VED KRAVEFORING.HVIT	2
14	421459	(Tube for seat section, Ø32,5)	2
15	421460-7035	ENDELOKK LIGGEFLATE SB 750 HVIT BEST.VARE	4
16	802729	(Nut M8 for SB750)	1
17	803008	(Set screw M8x40 St. 8.8 ISO 4017)	1
18	806651	LÅSEMUTTER M10	6
19	811408	(Hexagonal key 5 mm)	1
20	815764	STARLOCK Ø16 SORT EC HØNG SENGER.	2
21	816488	(Cable clips 4,6x4,1)	1
22	1423912-7035	DOPPSKO 45x3,5 SB	2
23	1423996	(Blind rivet Ø4,8x9)	0
24	1432700-7035	DOPPSKO PLAST FOR FESTE LØFTEBØYLE GRÅ	2
25	1435325-7035	SKRUE DELING LIGGEFLATE SB 785 GRÅ	4
27	1446475	SKIVE FIBER Ø12X19X05 EC HØNG SENGER.	6
28	1484059	LAMELLER SENGEUNN 85 CM SB 750 ALU. BEST.VARE	6
29	1493130	BRYSTBOLT Ø 12 HØNG SENGER.	6
30	1538319	(Plastic cap Ø8)	2

(Top frame, foot end, 183 cm length)

1	021351	HENGSELFESTE KPL SB750 LIGGEFLATE LÅRDEL	2
2	221146-1015	LØFTEARM BENDEL SB 750 85 X 183 CM	1
3	221165-1015	(Top frame, foot end, 90x183 cm)	1
4	314884-7035	BESLAG FOR LAMELL SB750 750.	12
5	314885	HENGSELLEDD OVERRAMME KNELEDD	4
6	320850	RØRBØYLE FOTDEL LIGGEFLATEF SB 750	1
7	320516.60	INNSKUDSRØR SB750 45X15X1,5X400	2
8	320529-7035	LÅSEBESALG SCANBED DELING SEN	2
9	320882-1015	LØFTEARM FOR LÅRDEL SCANBED 750	1
10	405479-7035	NYLONRULLE LØFTEARM BEN/ HJERTEBRETT SB 750	4
11	420127	RØRSTYKKE LÅRDEL SB 750	2
13	420623	BRYSTBOLT SB750	2
14	420625-7035	KRAVEFORING Ø10/Ø13 HVIT LØFTEARM BENDEL SB750 B	4
15	420649-7035	FIXERINGSRØR,LÅSECLIPS VED KRAVEFORING.HVIT	2
16	421458-1015	PROPRØR SB 750	1
17	812875	SKRUE M8X12 FOR ENDEGAVL FESTE SENGER OG HJUL	6
18	815764	STARLOCK Ø16 SORT EC HØNG SENGER.	4
19	819407	SKRUE SELVORENDE 5X19BEST.VARE	4
20	821235	(Screw Ø5x12, thread forming)	2
21	1423915	DOPPSKO 20x20	4
22	1484059	LAMELLER SENGEBUNN 85 CM SB 750 ALU. BEST.VARE	7
12	420163-0005	(Mattress retainer Ø12)	1

(Top frame, foot end, 200 cm length)

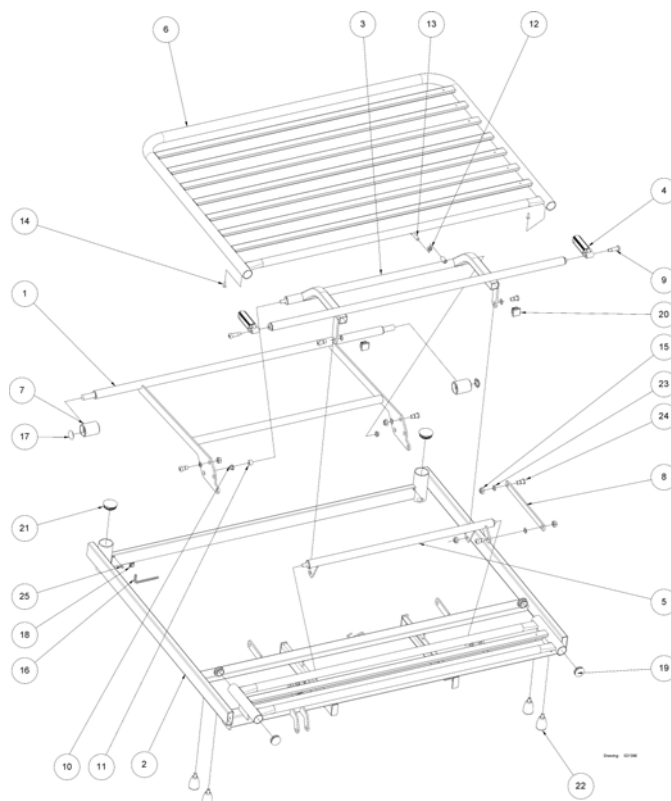


1	021351	HENGSELFESTE KPL SB750 LIGGEFLATE LÅRDEL	2
2	221155-1015	LØFTEARM BENDEL SB 750 U/RULLER 85/90 X 200 CM	1
3	221162-1015	(Top frame, foot end, 90x200 cm)	1
4	314884-7035	BESLAG FOR LAMELL SB750 750.	14
5	314885	HENGSELLEDD OVERRAMME KNELEDD	4
6	319788	RØRBYLE BENDEL ALU SB 750	1
7	320516.60	INNSKUDSRØR SB750 45X15X1,5X400	2
8	320529-7035	LÅSEBESALG SCANBED DELING SEN	2
9	320882-1015	LØFTEARM FOR LÅRDEL SCANBED 750	1
10	405479-7035	NYLONRULLE LØFTEARM BEN/ HJERTEBRETT SB 750	4
11	420127	RØRSTYKKE LÅRDEL SB 750	2
13	420623	BRYSTBOLT SB750	2
14	420625-7035	KRAVEFORING Ø10/Ø13 HVIT LØFTEARM BENDEL SB750 B	4
15	420649-7035	FIXERINGSRØR,LÅSECLIPS VED KRAVEFORING.HVIT	2
16	421458-1015	PROPRØR SB 750	1
17	812875	SKRUE M8X12 FOR ENDEGAVL FESTE SENGER OG HJUL	6
18	815764	STARLOCK Ø16 SORT EC HØNG SENGER.	4
19	819407	SKRUE SELVORENDE 5X19BEST.VARE	4
20	821235	(Screw Ø5x12, thread forming)	2
21	1423915	DOPPSKO 20x20	4
22	1484059	LAMELLER SENGEUNN 85 CM SB 750 ALU. BEST.VARE	7
12	420163-0005	(Mattress retainer Ø12)	1

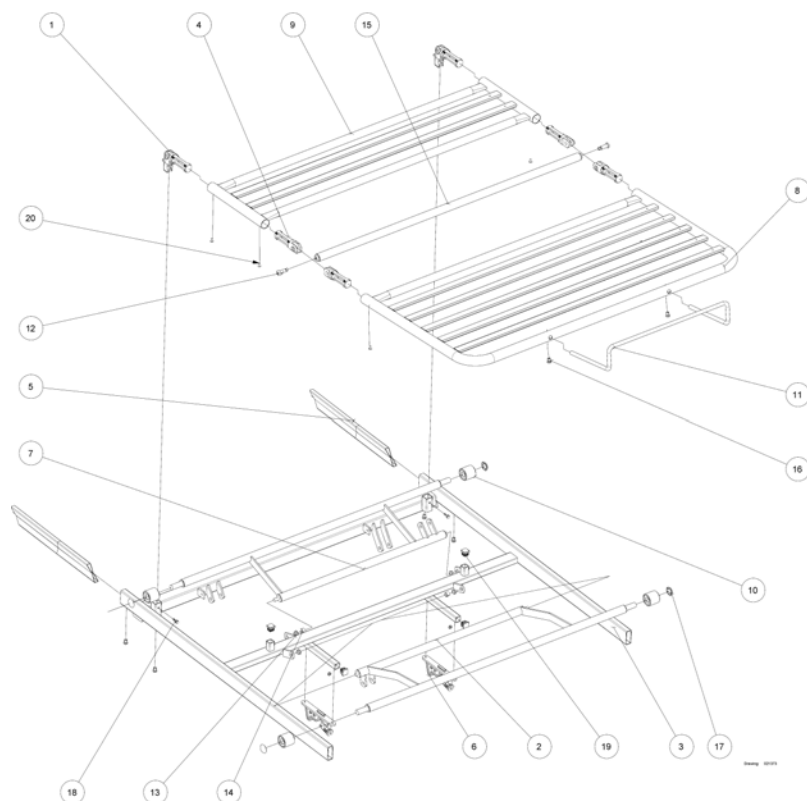
(Mattress support 105 cm width with steel lamellas)

-	(Top frame, head end, 200 cm length)	1
-	(Top frame, foot end, 200 cm length)	1

(Top frame, head end, 200 cm length)



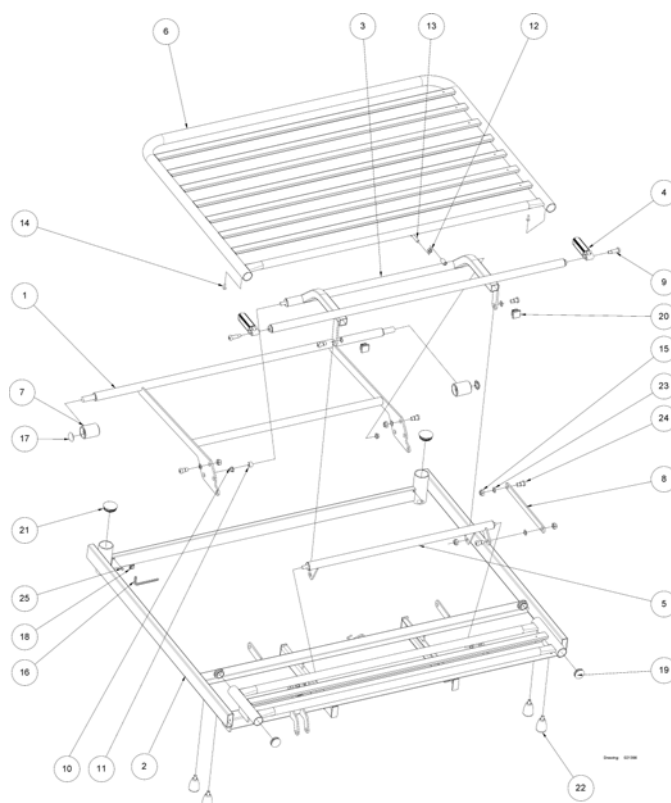
1	221127-1015	LØFTEARM HODEDEL SB750 105CM BEST.VARE	1
2	221133-1015	(Top frame, head end, 105 cm width)	1
3	221124-1015	(Steering arm, head end, 105 cm width)	1
4	319800	HENGSEL SB 750 BEST.VARE	2
5	320847-1015	(Parallel arm for backrest section, 105 and 120 cm width)	1
6	320877-1015	(Backrest mattress section, 105 cm width)	1
7	405479-7035	NYLONRULLE LØFTEARM BEN/ HJERTEBRETT SB 750	2
8	420620-1015	STAG LØFTEARM SCANBED SB750	1
9	420623	BRYSTBOLT SB750	2
10	420625-7035	KRAVEFORING Ø10/Ø13 HVIT LØFTEARM BENDEL SB750 B	4
11	420649-7035	FIXERINGSRØR,LÅSECLIPS VED KRAVEFORING.HVIT	2
12	802729	(Nut M8 for SB750)	1
13	803008	(Set screw M8x40 St. 8.8 ISO 4017)	1
14	803811	(Rivet Ø4,8x16)	2
15	806651	LÅSEMUTTER M10	6
16	811408	(Hexagonal key 5 mm)	1
17	815764	STARLOCK Ø16 SORT EC HØNG SENGER.	2
18	816488	(Cable clips 4,6x4,1)	1
19	1423911	PLASTPROPP BREMSEHJUL SB750	4
20	1423912-7035	DOPPSKO 45x3,5 SB	2
21	1432700-7035	DOPPSKO PLAST FOR FESTE LØFTEBØYLE GRÅ	2
22	1435325-7035	SKRUE DELING LIGGEFLATE SB 785 GRÅ	4
23	1446475	SKIVE FIBER Ø12X19X05 EC HØNG SENGER.	6
24	1493130	BRYSTBOLT Ø 12 HØNG SENGER.	6
25	1538319	(Plastic cap Ø8)	2

(Top frame, foot end, 200 cm length)

1	1530100	HENGSEL FOR LIGGEFLATE SCANBED 750 105 CM BRED	2
2	221126-1015	LØFTEARM BENDEL SB 750 105CM BEST.VARE	1
3	221132-1015	OVERRAMME FOTDEL SB750 105CM BREDD "KUN RAMME"	1
4	1529664	(Hinged joint for mattress support)	4
5	320516.60	INNSKUDSRØR SB750 45X15X1,5X400	2
6	320529-7035	LÅSEBESALG SCANBED DELING SENG	2
7	320846-1015	LØFTEARM FOR LÅRDEL SCANBED 750 105CM	1
8	320875-1015	(Leg mattress section, 105 cm width)	1
9	320876-1015	(Thigh mattress section, 105 cm width)	1
10	405479-7035	NYLONRULLE LØFTEARM BEN/ HJERTEBRETT SB 750	4
11	420163-0005	(Mattress retainer Ø12)	1
12	420623	BRYSTBOLT SB750	2
13	420625-7035	KRAVEFORING Ø10/Ø13 HVIT LØFTEARM BENDEL SB750 B	4
14	420649-7035	FIXERINGSRØR,LÅSECLIPS VED KRAVEFORING.HVIT	2
15	420975-1015	(Distance tube for lifter arm, 105 cm width)	1
16	812875	SKRUE M8X12 FOR ENDEGAVL FESTE SENGER OG HJUL	6
17	815764	STARLOCK Ø16 SORT EC HØNG SENGER.	4
18	819407	SKRUE SELVORENDE 5X19BEST.VARE	2
19	1423915	DOPPSKO 20x20	4
20	803811	(Rivet Ø4,8x16)	1

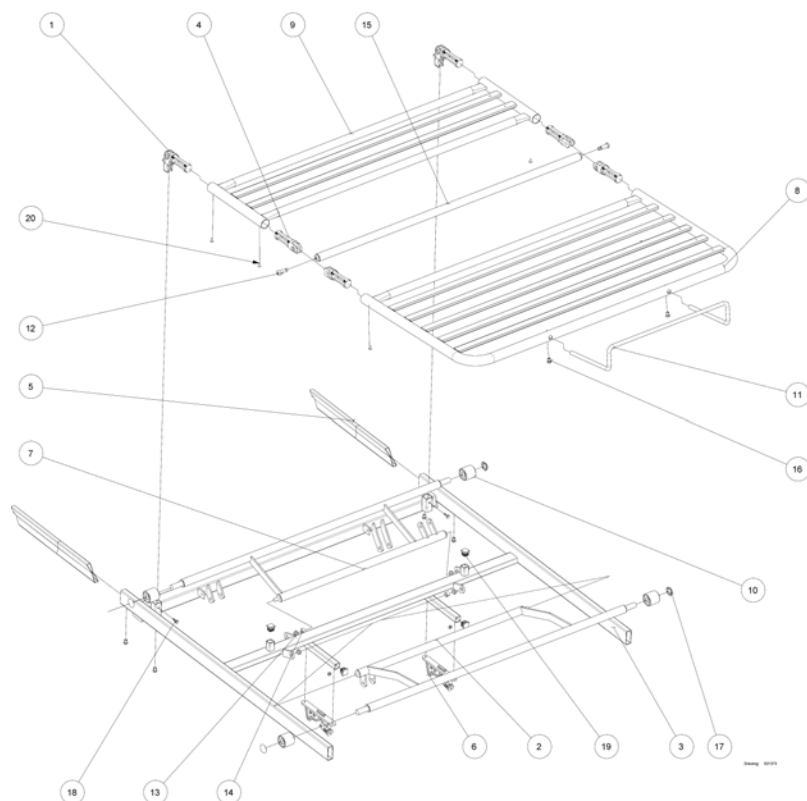
(Mattress support 120 cm width with steel lamellas)

-	(Top frame, head end, 200 cm length)	1
-	(Top frame, foot end, 200 cm length)	1

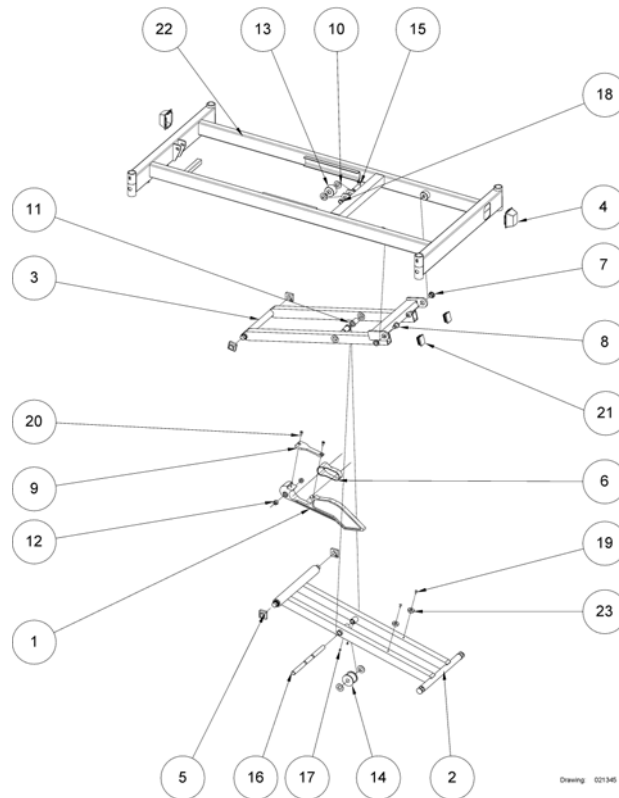
(Top frame, head end, 200 cm length)

1	221139-1015	LØFTEARM HOEDEDEL SB750 120CM BEST.VARE	1
2	221142-1015	TOPPRAMME HOEDEDEL SB750 120CM BREDDE *B*	1
3	221143-1015	(Steering arm, head end, 120 cm width)	1
4	319800	HENGSEL SB 750 BEST.VARE	2
5	320847-1015	(Parallel arm for backrest section, 105 and 120 cm width)	1
6	320892-1015	(Backrest, 120 cm width)	1
7	405479-7035	NYLONRULLE LØFTEARM BEN/ HJERTEBRETT SB 750	2
8	420620-1015	STAG LØFTEARM SCANBED SB750	1
9	420623	BRYSTBOLT SB750	2
10	420625-7035	KRAVEFORING Ø10/Ø13 HVIT LØFTEARM BENDEL SB750 B	4
11	420649-7035	FIXERINGSRØR,LÅSECLIPS VED KRAVEFORING.HVIT	2
12	802729	(Nut M8 for SB750)	1
13	803008	(Set screw M8x40 St. 8.8 ISO 4017)	1
14	803811	(Rivet Ø4,8x16)	2
15	806651	LÅSEMUTTER M10	6
16	811408	(Hexagonal key 5 mm)	1
17	815764	STARLOCK Ø16 SORT EC HØNG SENGER.	2
18	816488	(Cable clips 4,6x4,1)	1
19	1423911	PLASTPROPP BREMSEHJUL SB750	4
20	1423912-7035	DOPPSKO 45x3,5 SB	2
21	1432700-7035	DOPPSKO PLAST FOR FESTE LØFTEBØYLE GRÅ	2
22	1435325-7035	SKRUE DELING LIGGEFLATE SB 785 GRÅ	4
23	1446475	SKIVE FIBER Ø12X19X05 EC HØNG SENGER.	6
24	1493130	BRYSTBOLT Ø 12 HØNG SENGER.	6

(Top frame, foot end, 200 cm length)



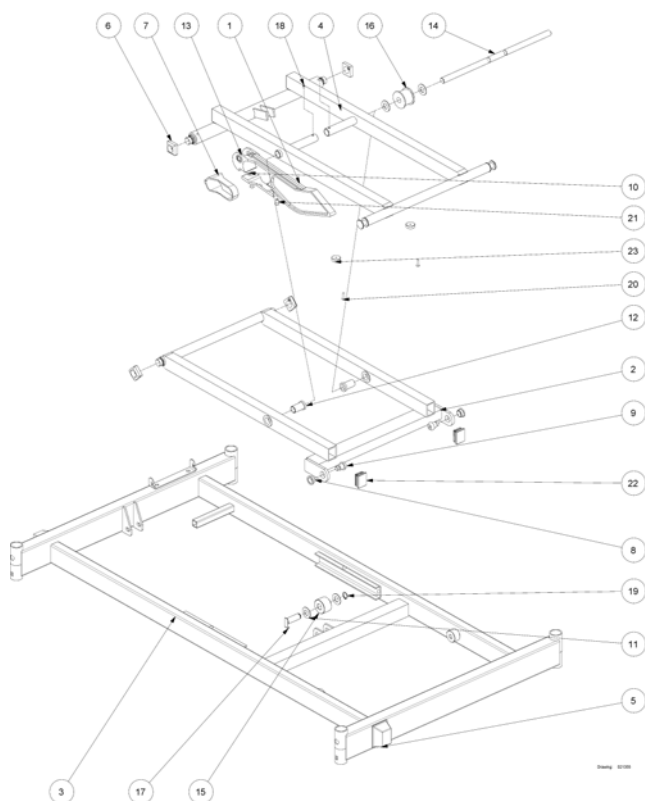
1	1530100	HENGSEL FOR LIGGEFLATE SCANBED 750 105 CM BRED	2
2	221140-1015	LØFTEARM BENDEL SB 750 120 CM	1
3	221144-1015	OVERRAMME FOTDEL SB750 120CM BREDD	1
4	1529664	(Hinged joint for mattress support)	1
5	320516.60	INNSKUDSRØR SB750 45X15X1,5X400	2
6	320529-7035	LÅSEBESALG SCANBED DELING SENG	2
7	320868-1015	LØFTEARM FOR LÅRDEL SCANBED 750 120CM	1
8	321502-1015	(Leg mattress section, 120 cm width)	1
9	321503-1015	LIGGEFLATE LÅRDEL SB750 SB 750	1
10	405479-7035	NYLONRULLE LØFTEARM BEN/ HJERTEBRETT SB 750	4
11	420163-0005	(Mattress retainer Ø12)	1
12	420623	BRYSTBOLT SB750	2
13	420625-7035	KRAVEFORING Ø10/Ø13 HVIT LØFTEARM BENDEL SB750 B	4
14	420649-7035	FIXERINGSRØR,LÅSECLIPS VED KRAVEFORING.HVIT	2
15	421430-1015	(Distance tube for lifter arm, 120 cm width)	1
16	812875	SKRUE M8X12 FOR ENDEGAVL FESTE SENGER OG HJUL	6
17	815764	STARLOCK Ø16 SORT EC HØNG SENGER.	4
18	819407	SKRUE SELVORENDE 5X19BEST.VARE	2
19	1423915	DOPPSKO 20x20	4
20	803811	(Rivet Ø4,8x16)	1

(Base for 85+90+105 cm width)

Drawing: 021345


1	221103	KILE TIL SB750 SB700 ALUMINIUM	1
2	221122-1015	(Inner shear arm)	1
3	221123-1015	(Outer shear arm)	1
4	315626-7035	\$bruk SP1580208 DEKSEL SENTRALBREMS SB	2
5	318648	GLIDER FOR LIGGEFLATE SB 710+ 750 BEST.VARE	4
6	318673	GLIDELLEIE FOR KILE SB 750-700-710	1
7	409645	KRAVEFORING Ø16,4X20X25	2
8	418477	BRYSTBOLT SB700	2
9	418896	HOLDER FOR KILE HÖNG	1
10	419298	SKIVE FOR RULLE KILE SCANBED 750	4
11	420154	(Bushing Ø25/Ø19,8xØ16,4)	2
12	420171	KRAVEFORING Ø10/Ø16 SB 750	2
13	421442	NYLONRULLE Ø 40 TIL KILE SB750 fra 2000	1
14	421443	NYLONRULLE Ø 40 TIL KILE SB750	1
15	421452	TAP OG VINKEL RUSTFRI FOR UNDERSTELL SB750	1
16	421455	(Axle Ø16x250)	1
17	803221	SKRUE M6X6 PINOL SB750	2
18	803247	SEEGRING Ø 16.1	1
19	803833	POPNAGLE HENGSELLEDD SCANBED	2
20	816401	SKRUE MG x 16 HÖNG	2
21	1423916	DOPPSKO 40x30x3	2
22	1451305-1015	(Base for SB750)	1
23	1507221	(Distance piece)	2

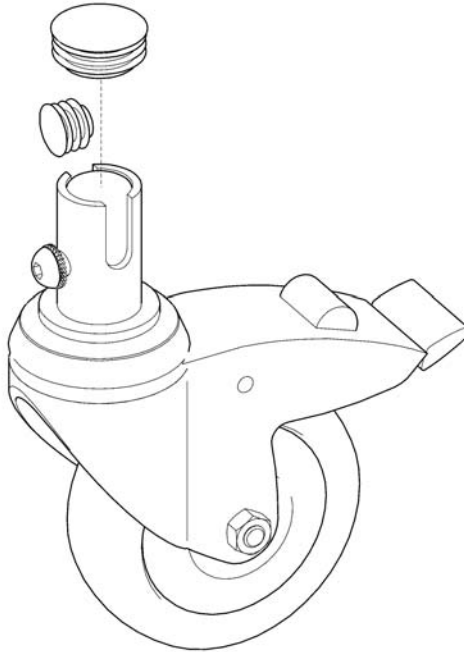
(Base for 120 cm width)



1	221103	KILE TIL SB750 SB700 ALUMINIUM	1
2	221135-1015	(Shear arm, outer, 120 cm)	1
3	221136-1015	(Base, 120 cm width)	1
4	221138-1015	SAKS INDRE DEL SCANBED 750 120CM	1
5	315626-7035	\$bruk SP1580208 DEKSEL SENTRALBREMS SB	2
6	318648	GLIDER FOR LIGGEFLATE SB 710+ 750 BEST.VARE	4
7	318673	GLIDELLEIE FOR KILE SB 750-700-710	1
8	409645	KRAVEFORING Ø16,4X20X25	2
9	418477	BRYSTBOLT SB700	2
10	418896	HOLDER FOR KILE HÖNG	1
11	419298	SKIVE FOR RULLE KILE SCANBED 750	4
12	420154	(Bushing Ø25/Ø19,8xØ16,4)	2
13	420171	KRAVEFORING Ø10/Ø16 SB 750	2
14	421422	(Axle Ø16x400, 120 cm width)	1
15	421442	NYLONRULLE Ø 40 TIL KILE SB750 fra 2000	1
16	421443	NYLONRULLE Ø 40 TIL KILE SB750	1
17	421452	TAP OG VINKEL RUSTFRI FOR UNDERSTELL SB750	1
18	803221	SKRUE M6X6 PINOL SB750	2
19	803247	SEEGRING Ø 16.1	1
20	803835	(Blind rivet 4,8x18)	2
21	816401	SKRUE MG x 16 HÖNG	2
22	1423916	DOPPSKO 40x30x3	2
23	1507221	(Distance piece)	2

(Castors with brake)

	75	1
	100	2
mm	125	3

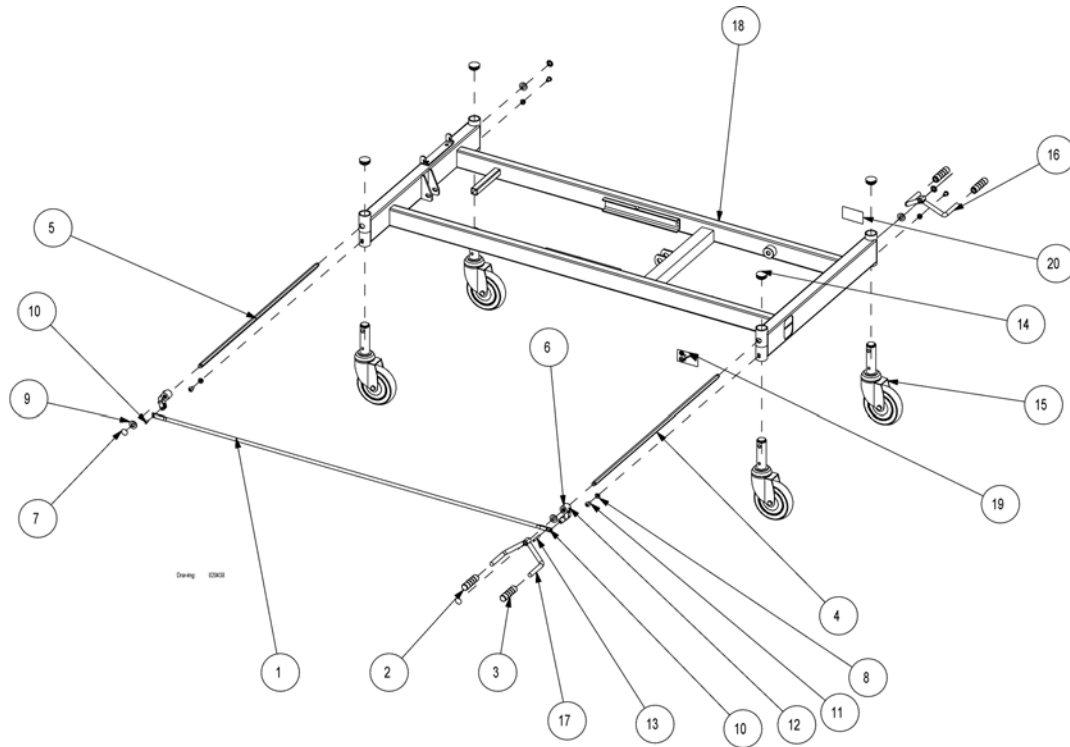


SP1584616

1	SP1584616	(Castor 75mm w. brake)	1
2	SP1441284	(Castor 100mm w. brake)	1
3	SP1441346	(Castor 125mm w. brake)	1

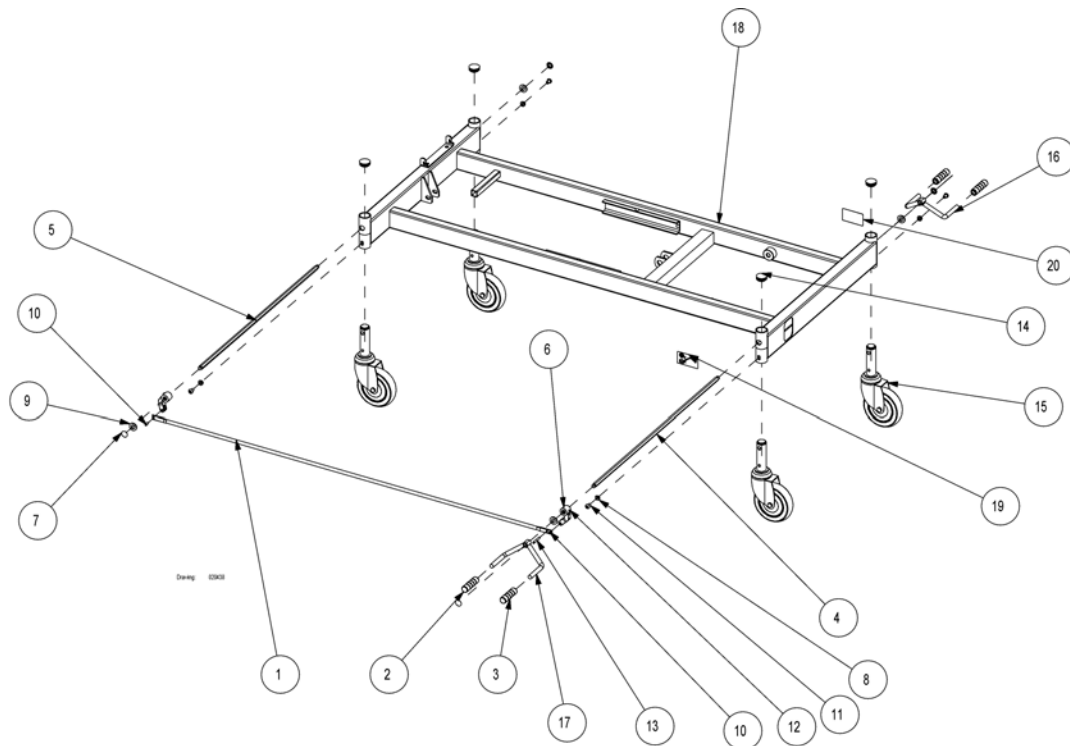
(Central brake system for 85+90+105 cm width)

-	(Ø80 mm castors with central brake)	1
-	(Ø100 mm castors with central brake)	1
-	(Ø125 mm castors with central brake)	1
-	(Ø150 mm castors with central brake)	1

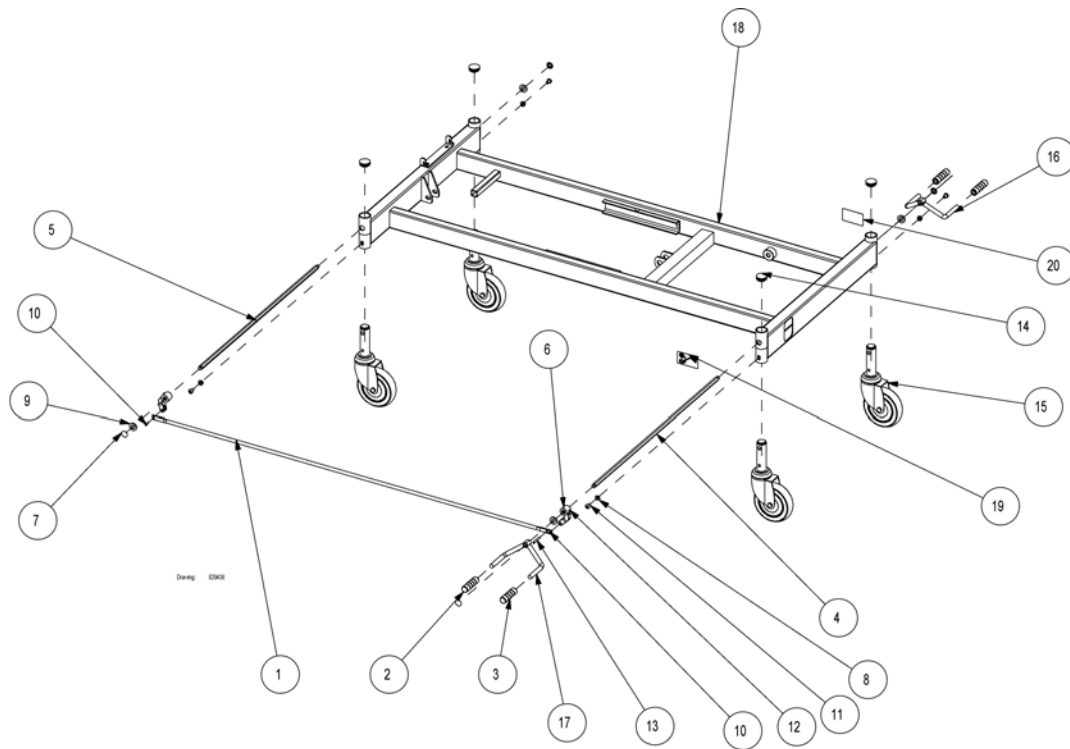
(Ø80 mm castors with central brake)

18	-	(Base for 85+90+105 cm width)	1
1	314284-1015	(Central brake rod Ø10x1,5x1369 mm)	1
2	414411	PEDALGUMMI RØD SENTR. BREMS SCANB.700/750	2
3	414412	PEDALGUMMI GRØNN TIL SENTR.BREMS.SCAN.700/750	2
4	414652.60	AKSEL HJUL SENTRALBREMS 74 CM SB	1
5	414653.60	AKSEL HJUL SENTRALBREMS SB	1
6	414654	MEDBRINGER SENTRALBREMS SB750 SB700 SB400	2
7	803279	STARLOCK LÅSEKIVE SENTRALBREMS SCAN BED	4
8	803876	FJÆRSKIVE	4
9	804239	NYLONSKIVE	4
10	806644	SPIRALSPENNSTIFT 5x14,2	2
11	812875	SKRUE M8X12 FOR ENDEGAVL FESTE SENGER OG HJUL	2
12	817243	PINOLSKRUE FOR SENTR.BR. SB BEST.VARE	2
13	821213	SPIRALSPENDSTIFT Ø5X36 DIN 7343-A2-ISO 87501	1
14	1423911	PLASTPROPP BREMSEHJUL SB750	4
15	1446312	(Castor Ø80, central brake)	4
16	1435279-1015	BREMSEPEDAL HØYRE SB 750 BRUK 1524937-1015	1
17	1435280-1015	BREMSEPEDAL VENSTRE SB 750 BRUK 1524938-1015	1
19	1492781	(Label for brake, 40x70, left)	1
20	1492782	(Label for brake, 40x70, right)	1

(Ø100 mm castors with central brake)

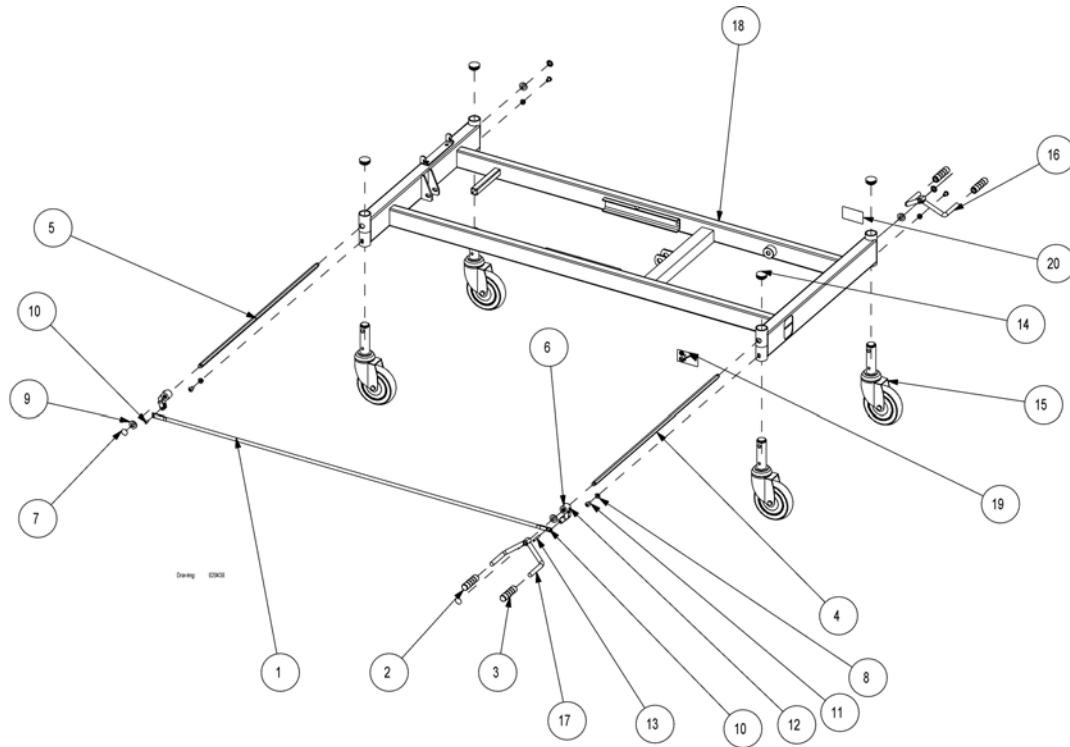


18	-	(Base for 85+90+105 cm width)	1
1	314284-1015	(Central brake rod Ø10x1,5x1369 mm)	1
2	414411	PEDALGUMMI RØD SENTR. BREMS SCANB.700/750	2
3	414412	PEDALGUMMI GRØNN TIL SENTR.BREMS.SCAN.700/750	2
4	414652.60	AKSEL HJUL SENTRALBREMS 74 CM SB	1
5	414653.60	AKSEL HJUL SENTRALBREMS SB	1
6	414654	MEDBRINGER SENTRALBREMS SB750 SB700 SB400	2
7	803279	STARLOCK LÅSEKIVE SENTRALBREMS SCAN BED	4
8	803876	FJÆRSKIVE	4
9	804239	NYLONSKIVE	4
10	806644	SPIRALSPENNSTIFT 5x14,2	2
11	812875	SKRUE M8X12 FOR ENDEGAVL FESTE SENGER OG HJUL	2
12	817243	PINOLSKRUE FOR SENTR.BR. SB BEST.VARE	2
13	821213	SPIRALSPENDSTIFT Ø5X36 DIN 7343-A2-ISO 87501	1
14	1423911	PLASTPROPP BREMSEHJUL SB750	4
15	819460	HJUL Ø100 TENTE SENTRAL	4
16	1435279-1015	BREMSEPEDAL HØYRE SB 750 BRUK 1524937-1015	1
17	1435280-1015	BREMSEPEDAL VENSTRE SB 750 BRUK 1524938-1015	1
19	1492781	(Label for brake, 40x70, left)	1
20	1492782	(Label for brake, 40x70, right)	1

(Ø125 mm castors with central brake)

18	-	(Base for 85+90+105 cm width)	1
1	314284-1015	(Central brake rod Ø10x1,5x1369 mm)	1
2	414411	PEDALGUMMI RØD SENTR. BREMS SCANB.700/750	2
3	414412	PEDALGUMMI GRØNN TIL SENTR.BREMS.SCAN.700/750	2
4	414652.60	AKSEL HJUL SENTRALBREMS 74 CM SB	1
5	414653.60	AKSEL HJUL SENTRALBREMS SB	1
6	414654	MEDBRINGER SENTRALBREMS SB750 SB700 SB400	2
7	803279	STARLOCK LÅSEKIVE SENTRALBREMS SCAN BED	4
8	803876	FJÆRSKIVE	4
9	804239	NYLONSKIVE	4
10	806644	SPIRALSPENNSTIFT 5x14,2	2
11	812875	SKRUE M8X12 FOR ENDEGAVL FESTE SENGER OG HJUL	2
12	817243	PINOLSKRUE FOR SENTR.BR. SB BEST.VARE	2
13	821213	SPIRALSPENDSTIFT Ø5X36 DIN 7343-A2-ISO 87501	1
14	1423911	PLASTPROPP BREMSEHJUL SB750	4
15	1423937	HJUL 125MM SENTRALBREMS SB750+700+STACCATA	4
16	1435279-1015	BREMSEPEDAL HØYRE SB 750 BRUK 1524937-1015	1
17	1435280-1015	BREMSEPEDAL VENSTRE SB 750 BRUK 1524938-1015	1
19	1492781	(Label for brake, 40x70, left)	1
20	1492782	(Label for brake, 40x70, right)	1

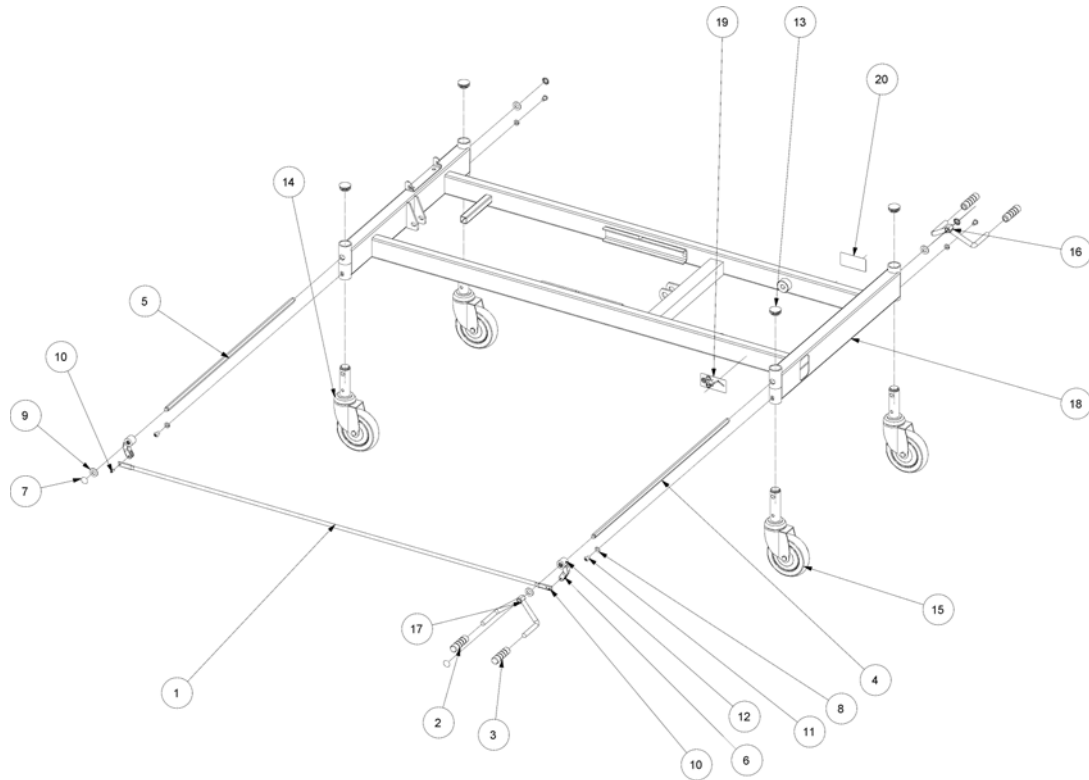
(Ø150 mm castors with central brake)



18	-	(Base for 85+90+105 cm width)	1
1	314284-1015	(Central brake rod Ø10x1,5x1369 mm)	1
2	414411	PEDALGUMMI RØD SENTR. BREMS SCANB.700/750	2
3	414412	PEDALGUMMI GRØNN TIL SENTR.BREMS.SCAN.700/750	2
4	414652.60	AKSEL HJUL SENTRALBREMS 74 CM SB	1
5	414653.60	AKSEL HJUL SENTRALBREMS SB	1
6	414654	MEDBRINGER SENTRALBREMS SB750 SB700 SB400	2
7	803279	STARLOCK LÅSEKIVE SENTRALBREMS SCAN BED	4
8	803876	FJÆRSKIVE	4
9	804239	NYLONSKIVE	4
10	806644	SPIRALSPENNSTIFT 5x14,2	2
11	812875	SKRUE M8X12 FOR ENDEGAVL FESTE SENGER OG HJUL	4
12	817243	PINOLSKRUE FOR SENTR.BR. SB BEST.VARE	2
13	821213	SPIRALSPENDSTIFT Ø5X36 DIN 7343-A2-ISO 87501	1
14	1423911	PLASTPROPP BREMSEHJUL SB750	4
15	1423988	HJUL 150MM SENTRALBREMS SCANBED	4
16	1435279-1015	BREMSEPEDAL HØYRE SB 750 BRUK 1524937-1015	1
17	1435280-1015	BREMSEPEDAL VENSTRE SB 750 BRUK 1524938-1015	1
19	1492781	(Label for brake, 40x70, left)	1
20	1492782	(Label for brake, 40x70, right)	1

(Central brake system with dir. control for 85+90+105 cm width)

-	(Ø100 mm castors with central brake and dir. control)	1
-	(Ø125 mm castors with central brake and dir. control)	1
-	(Ø150 mm castors with central brake and dir. control)	1

(Ø125 mm castors with central brake and dir. control)

18	-	(Base for 85+90+105 cm width)	1
1	314284-1015	(Central brake rod Ø10x1,5x1369 mm)	1
2	414411	PEDALGUMMI RØD SENTR. BREMS SCANB.700/750	2
3	414412	PEDALGUMMI GRØNN TIL SENTR.BREMS.SCAN.700/750	2
4	414652.60	AKSEL HJUL SENTRALBREMS 74 CM SB	1
5	414653.60	AKSEL HJUL SENTRALBREMS SB	1
6	414654	MEDBRINGER SENTRALBREMS SB750 SB700 SB400	2
7	803279	STARLOCK LÅSEKIVE SENTRALBREMS SCAN BED	4
8	803876	FJÆRSKIVE	4
9	804239	NYLONSKIVE	4
10	806644	SPIRALSPENNSTIFT 5x14,2	2
11	812875	SKRUE M8X12 FOR ENDEGAVL FESTE SENGER OG HJUL	4
12	817243	PINOLSKRUE FOR SENTR.BR. SB BEST.VARE	2
13	1423911	PLASTPROPP BREMSEHJUL SB750	4
14	1423937	HJUL 125MM SENTRALBREMS SB750+700+STACCATA	3
15	1423938	HJUL 125MM SENTRALBREMS RETN.SPERRE.750+700+STAC	1
16	1435279-1015	BREMSEPEDAL HØYRE SB 750 BRUK 1524937-1015	1
17	1435280-1015	BREMSEPEDAL VENSTRE SB 750 BRUK 1524938-1015	1
19	1484312	(Label for brake and direction control, 40x80, left)	1
20	1484313	(Label for brake and direction control, 40x80, right)	1

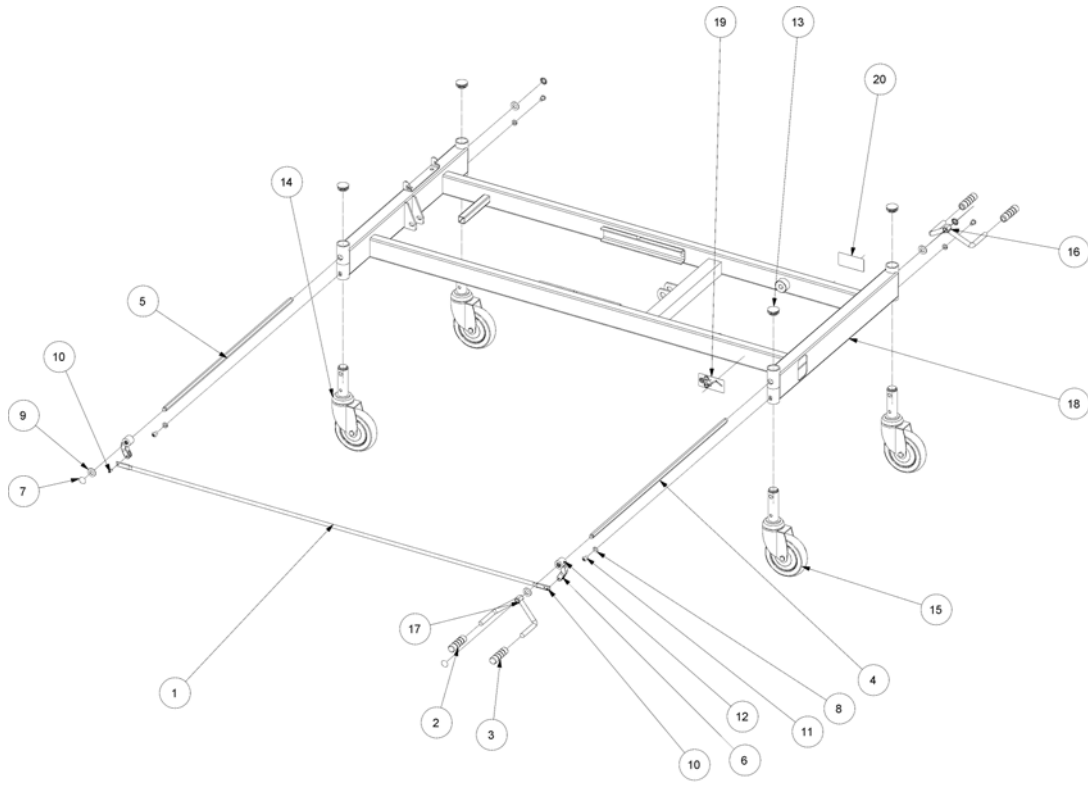
(Central brake system with dir. control for 120 cm width)

-

(Ø125 mm castors with central brake and dir. control, 120 cm width)

1

(Ø125 mm castors with central brake and dir. control, 120 cm width)



18	-	(Base for 120 cm width)	1
1	314284-1015	(Central brake rod Ø10x1,5x1369 mm)	1
2	414411	PEDALGUMMI RØD SENTR. BREMS SCANB.700/750	2
3	414412	PEDALGUMMI GRØNN TIL SENTR.BREMS.SCAN.700/750	2
4	421489.60	(Axle NV 11x890, 120 cm width)	1
5	421488.60	(Axle NV 11x850, 120 cm width)	1
6	414654	MEDBRINGER SENTRALBREMS SB750 SB700 SB400	2
7	803279	STARLOCK LÅSEKIVE SENTRALBREMS SCAN BED	4
8	803876	FJÆRSKIVE	4
9	804239	NYLONSKIVE	4
10	806644	SPIRALSPENNSTIFT 5x14,2	2
11	812875	SKRUE M8X12 FOR ENDEGAVL FESTE SENGER OG HJUL	4
12	817243	PINOLSKRUE FOR SENTR.BR. SB BEST.VARE	2
13	1423911	PLASTPROPP BREMSEHJUL SB750	4
14	1423937	HJUL 125MM SENTRALBREMS SB750+700+STACCATA	3
15	1423938	HJUL 125MM SENTRALBREMS RETN.SPERRE.750+700+STAC	1
16	1435279-1015	BREMSEPEDAL HØYRE SB 750 BRUK 1524937-1015	1
17	1435280-1015	BREMSEPEDAL VENSTRE SB 750 BRUK 1524938-1015	1
19	1484312	(Label for brake and direction control, 40x80, left)	1
20	1484313	(Label for brake and direction control, 40x80, right)	1

(Lowering kit, 75mm castor)

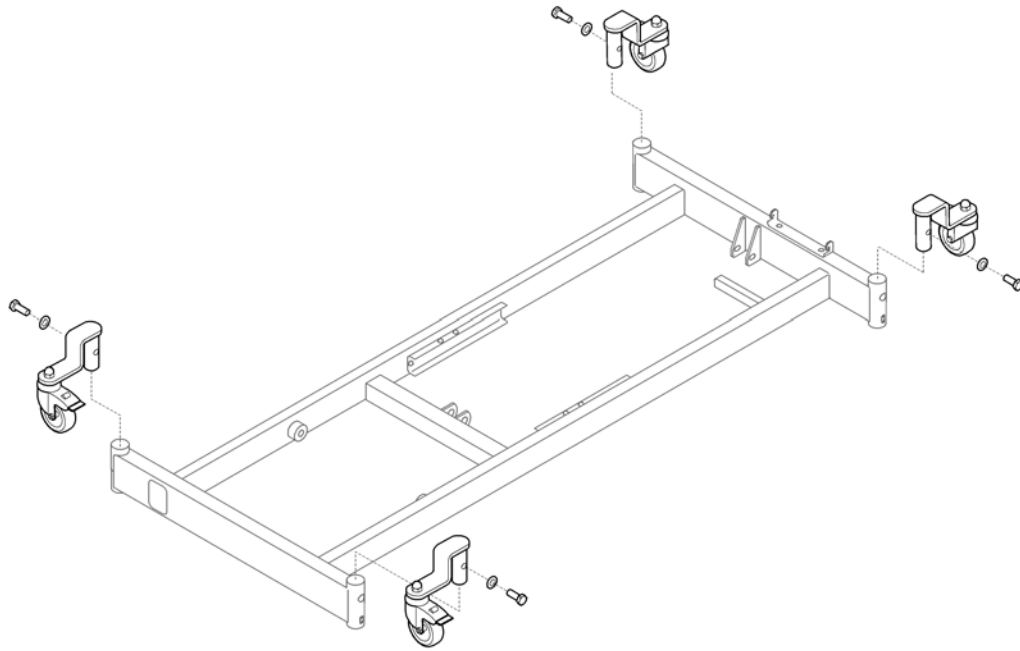
-

(Lowering kit, Ø75 mm castor)

1

(Lowering kit, Ø75 mm castor)

1

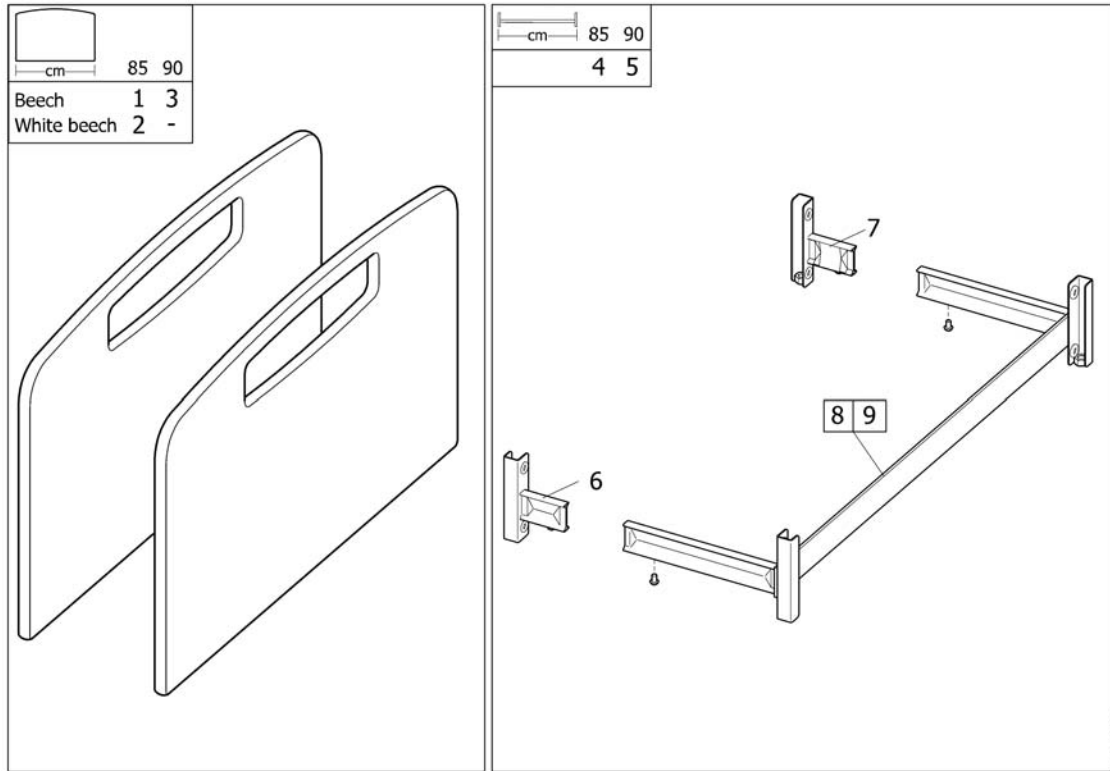


15P5021343

1 021343-0154

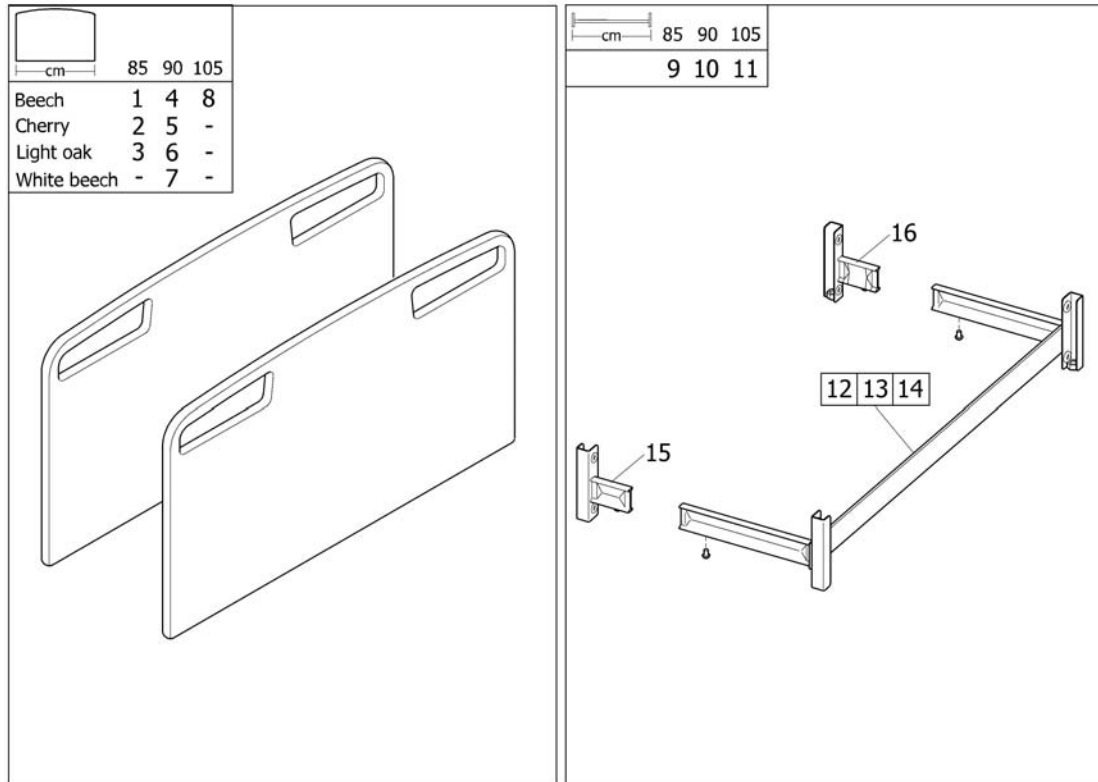
(Lowering-kit, 75mm castors (4 pcs))

1

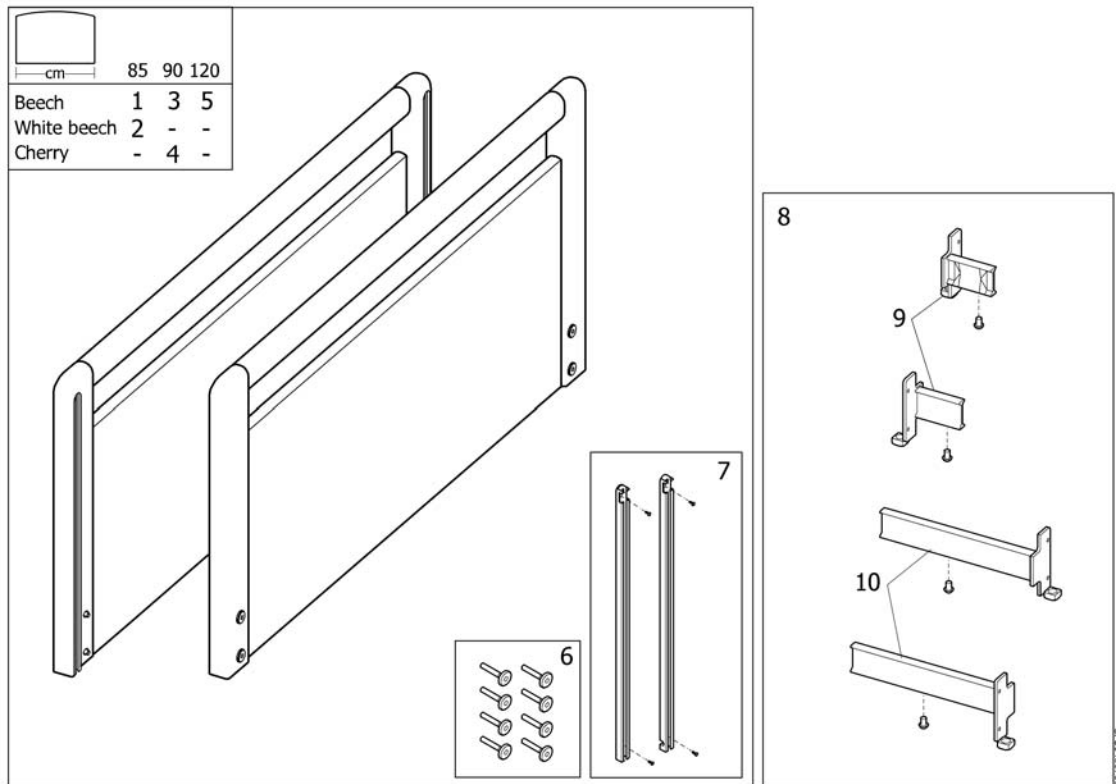
(Oda bed end)

1	020430.01	ENDEGAVLER ODA 85CM SB750 PAR	1
2	020430.05	ENDEGAVLER ODA 85CM SB750 PAR HVITPIGMENTERT	1
3	016609.01	ENDEGAVLER ODA 90CM SB 750+700+710+38 PAR	1
4	020421.D0	GAVLBESLAG ODA SETT SB750 (KPL) 85 CM	1
5	016607.D0	GAVLBESLAG ODA SETT SB700 85 CM SB750 90CM	1
6	SP1492059-1015	(Bed end bracket, u-profile, head end, cpl, right)	1
7	SP1492058-1015	(Bed end bracket, u-profile, head end, cpl, left)	1
8	SP219569-1015	(Bed end bracket, u-profile, leg end, 85, cpl.)	1
9	SP215961-1015	(Bed end bracket, u-profile, leg end, 90, cpl.)	1

(Piggy bed end)

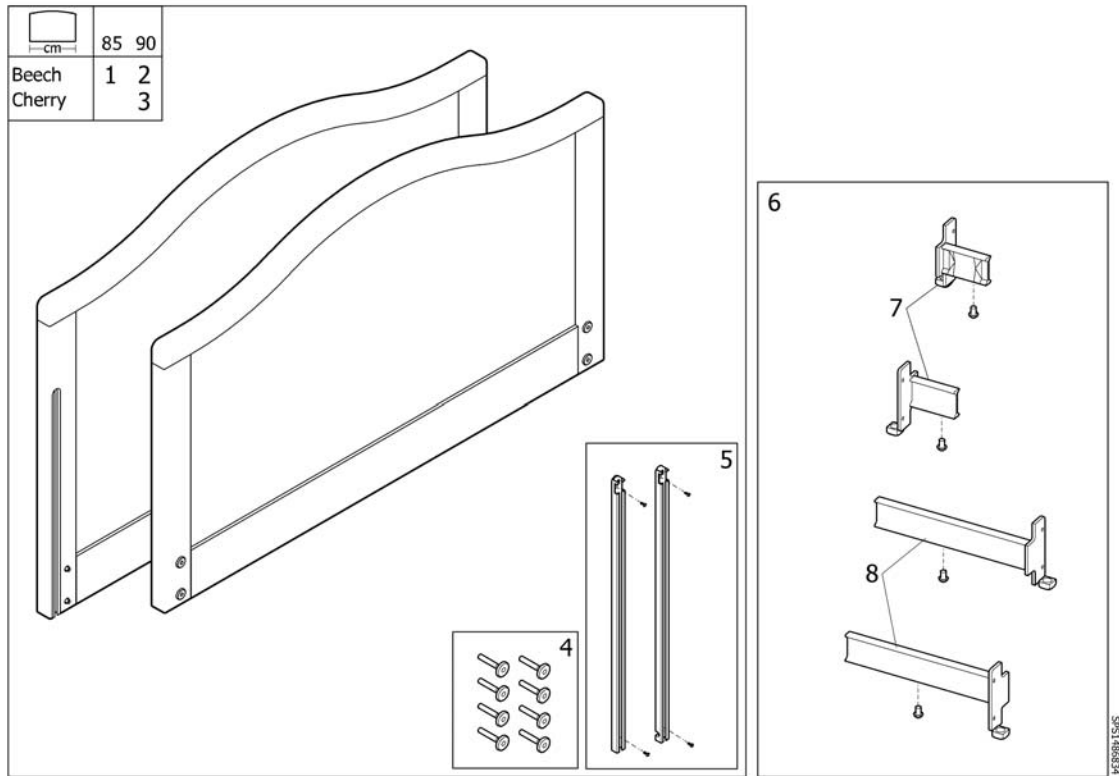


1	020431.01	ENDEGAVLER PIGGY 90CM SB750 PAR	1
2	020431.05	(Piggy bed end 85, cherry, pair)	1
3	020431-0526	(Piggy bed end 85, light oak, pair)	1
4	018940.01	(Piggy bed end, beech, 90cm)	1
5	018940.02	(Piggy bed end 90, cherry, pair)	1
6	018940-0526	(Piggy bed end 90, light oak, pair)	1
7	018940.05	(Piggy bed end 90, white beech, pair)	1
8	021337.01	(Piggy bed end 105, beech, pair)	1
9	020421.D0	GAVLBESLAG ODA SETT SB750 (KPL) 85 CM	1
10	016607.D0	GAVLBESLAG ODA SETT SB700 85 CM SB750 90CM	1
11	021338.D0	(Bed end bracket, 105 cm, cpl.)	1
12	SP219569-1015	(Bed end bracket, u-profile, leg end, 85, cpl.)	1
13	SP215961-1015	(Bed end bracket, u-profile, leg end, 90, cpl.)	1
14	SP221147-1015	(Bed end bracket, u-profile, leg end, 105, cpl.)	1
15	SP1492059-1015	(Bed end bracket, u-profile, head end, cpl, right)	1
16	SP1492058-1015	(Bed end bracket, u-profile, head end, cpl, left)	1

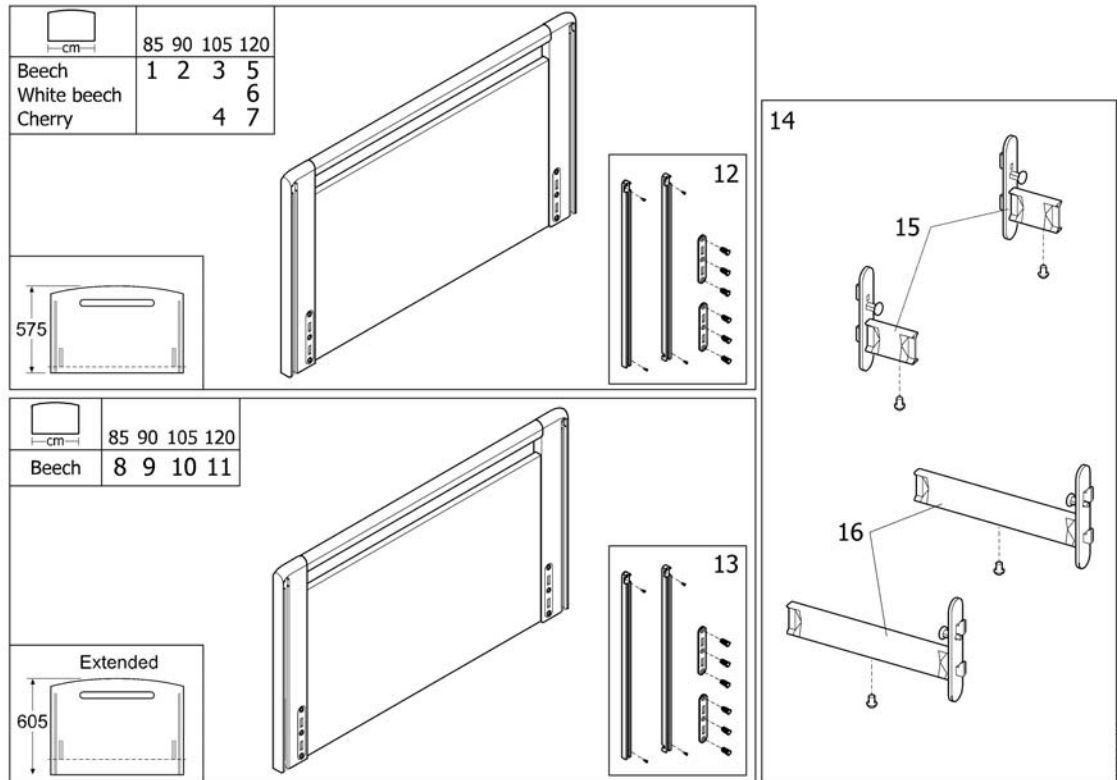
(Flex III bed end)

1	020417.01	ENDEGAVLER FLEX III 85CM SB750 PAR	1
2	020417.05	ENDEGAVLER FLEX III 85CM SB750 HVITPIGMENT PAR	1
3	020737.01	ENDEGAVLER FLEX 90 CM SB750 STAC SB400 PAR	1
4	020737.02	ENDEGAVLER FLEX 90 CM SB 759 KIRSEBÆR PAR	1
5	021917.01	(Flex III bed end 120, beech, pair)	1
6	SP815720	(Screw kit)	1
7	SP320504	(Guide rail kit, bed end)	1
8	SP1507212-1015	(Bracket bed end)	1
9	SP1584400	(Bracket head end, pair)	1
10	SP1584401	(Bracket foot end, pair)	1

(Karin bed end)



1	021387.01	ENDEGAVLER KARIN 85CM SB750 PAR	1
2	021390.01	ENDEGAVLER KARIN 90CM SB750 PAR	1
3	021390.02	(Karin bed ends 90 cm width (pair))	1
4	SP815720	(Screw kit)	1
5	SP320504	(Guide rail kit, bed end)	1
6	SP1507212-1015	(Bracket bed end)	1
7	SP1584400	(Bracket head end, pair)	1
8	SP1584401	(Bracket foot end, pair)	1

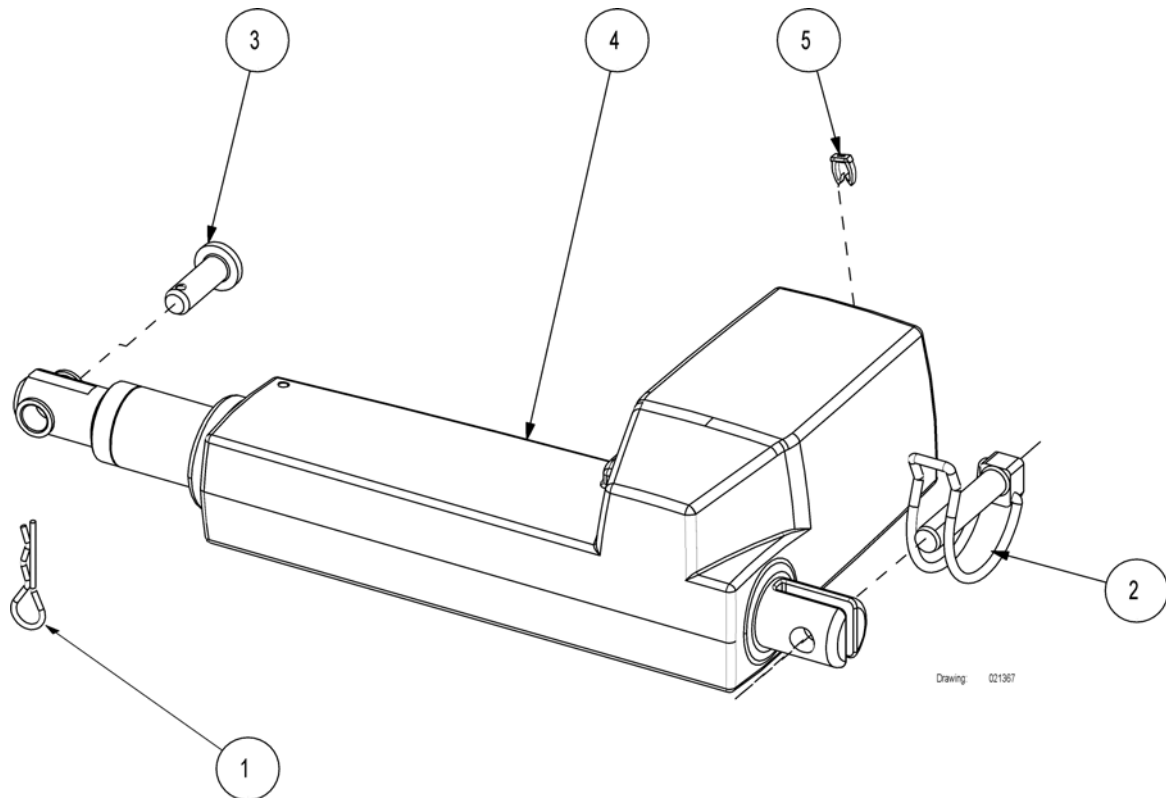
(Sanne bed end)

1	020429.01	ENDEGAVLER SANNE III 85CM SB750 PAR	1
2	020740.01	ENDEGAVLER SANNE III PAR 90CM SB750.85CM SB710	1
3	021953.01	ENDEGAVLER SANNE III 105CM SB750 PAR	1
4	021953.02	(Sanne bed end 105, cherry, pair)	1
5	021954-0105	ENDEGAVLER SANNE III 120CM SB750 PAR HVITPIGM	1
6	021954.01	ENDEGAVLER SANNE III 120CM SB750 PAR	1
7	021954.02	ENDEGAVLER SANNE III 120CM SB750 PAR KIRSEBÆR	1
8	1451258-0101	ENDEGAVLER SANNE FORHØY SB750 85 CM	1
9	1451257-0101	ENDEGAVLER SANNE FORHØY SB750 90 CM	1
10	1484403-0101	ENDEGAVLER SANNE FORHØY SB750 105 CM	1
11	1484404-0101	ENDEGAVLER SANNE FORHØY SB750 120 CM	1
12	SP1580318	(Attachment kit 552mm, pair, bed end)	1
13	SP1580319	(Attachment kit 582mm, pair, bed end)	1
14	SP018742	(Bracket bed end)	1
15	SP1577529	(Bracket head end, cpl.)	1
16	SP1443881-0002	(Bracket foot end, pair)	1

(Motor for back rest)

-	(Motor for backrest)	1
-	(Motor for backrest, with emergency lowering handle)	1
-	(Motor for backrest, V0)	1

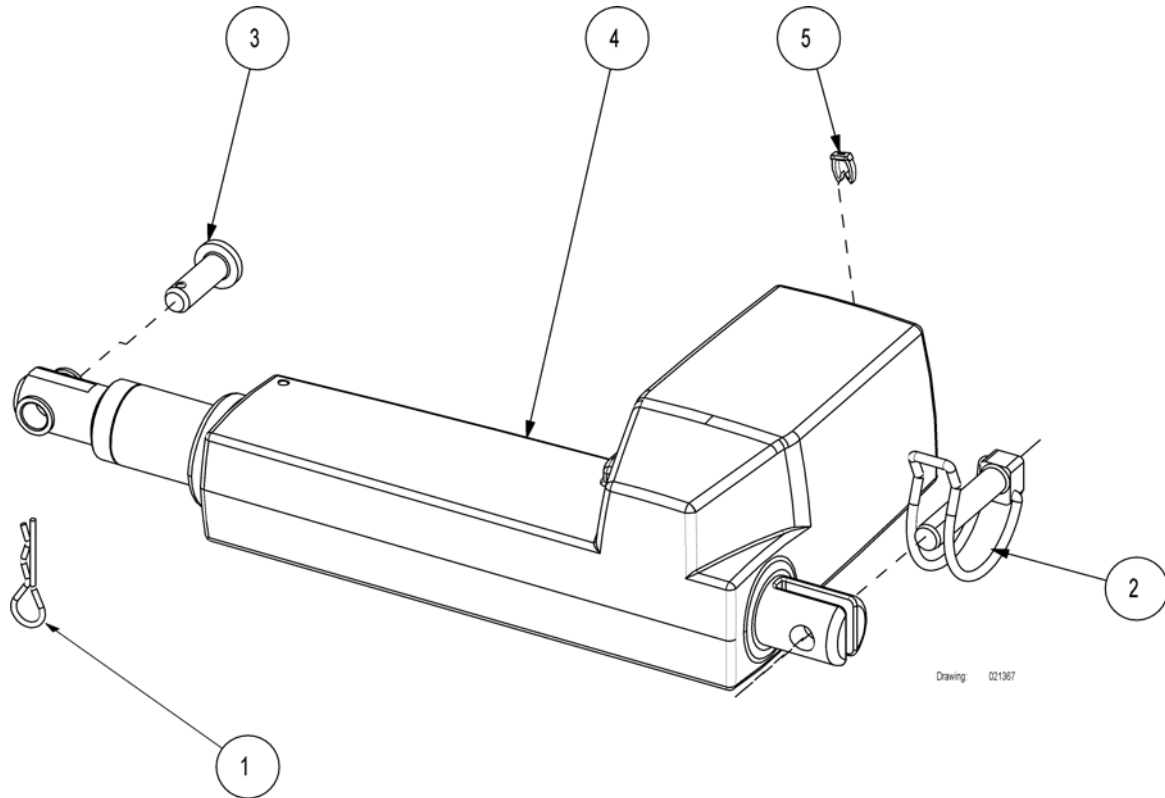
(Motor for backrest)



Drawing: 021367

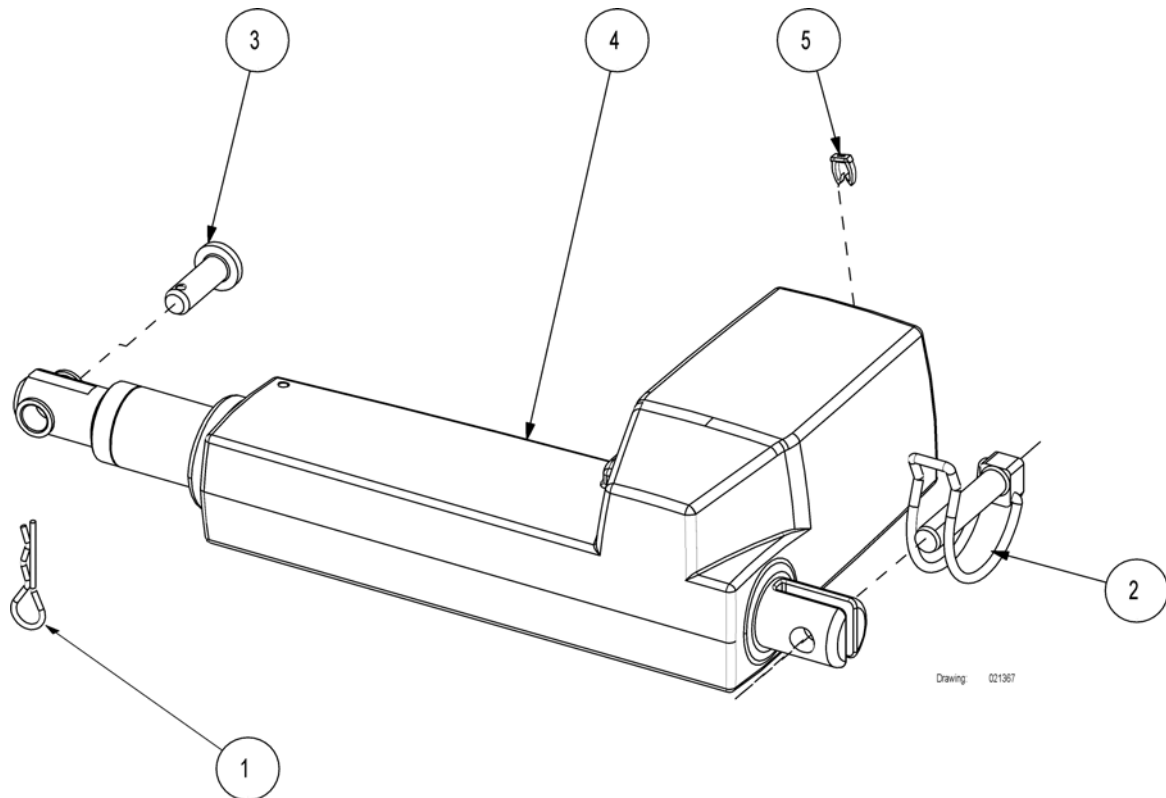
1	816427	FJÆRSPLINT HÖNG	1
2	819411	LÅSESPLINT M/FJÆRBØYLE MOTOR SB 400/750/755	1
3	819468	(Clevis pin Ø10x30x26 ISO 2341)	1
4	1423908	MOTOR RYGG SB750 GRÅ	1
5	1444092	KABELMERKE MOTOR 1 BRUN RYGG MOTOR SB750	1

(Motor for backrest, with emergency lowering handle)



1	816427	FJÆRSPLINT HÖNG	1
2	819411	LÅSESPLINT M/FJÆRBØYLE MOTOR SB 400/750/755	1
3	819468	(Clevis pin Ø10x30x26 ISO 2341)	1
4	1441227	(24V motor LA31, IP66, RAL 7035)	1
5	1444092	KABELMERKE MOTOR 1 BRUN RYGG MOTOR SB750	1

(Motor for backrest, V0)



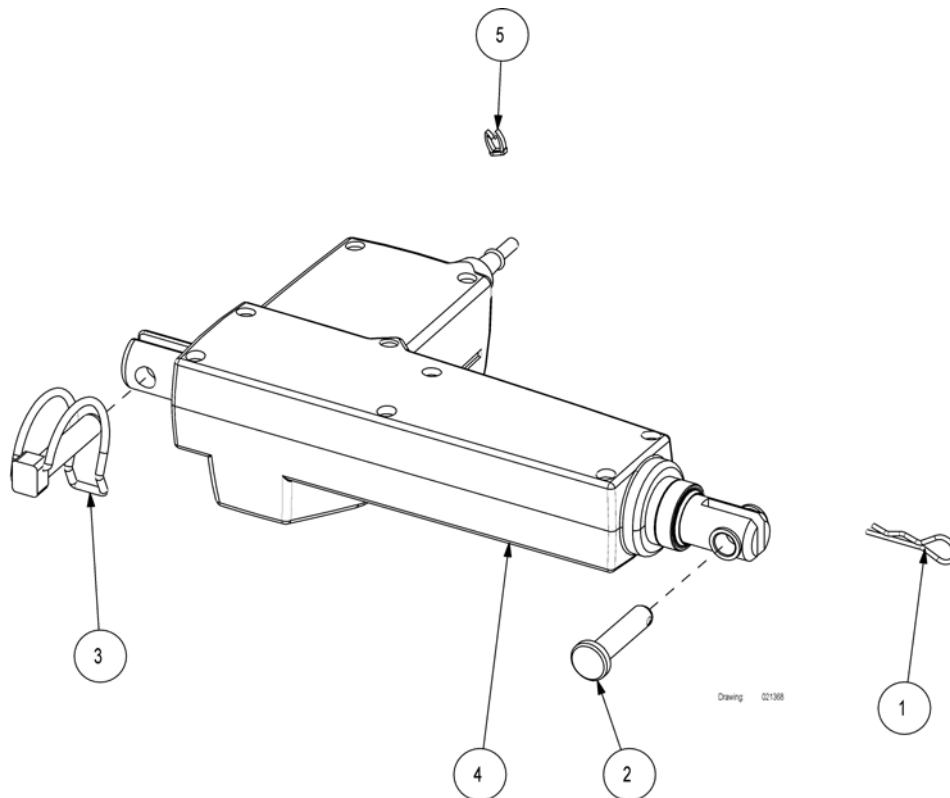
Drawing 021367

1	816427	FJÆRSPLINT HÖNG	1
2	819411	LÅSESPLINT M/FJÆRBØYLE MOTOR SB 400/750/755	1
3	819468	(Clevis pin Ø10x30x26 ISO 2341)	1
4	1492475-7035	(24V motor LA31, IP66, V0, RAL 7035)	1
5	1444092	KABELMERKE MOTOR 1 BRUN RYGG MOTOR SB750	1

(Motor for thigh section)

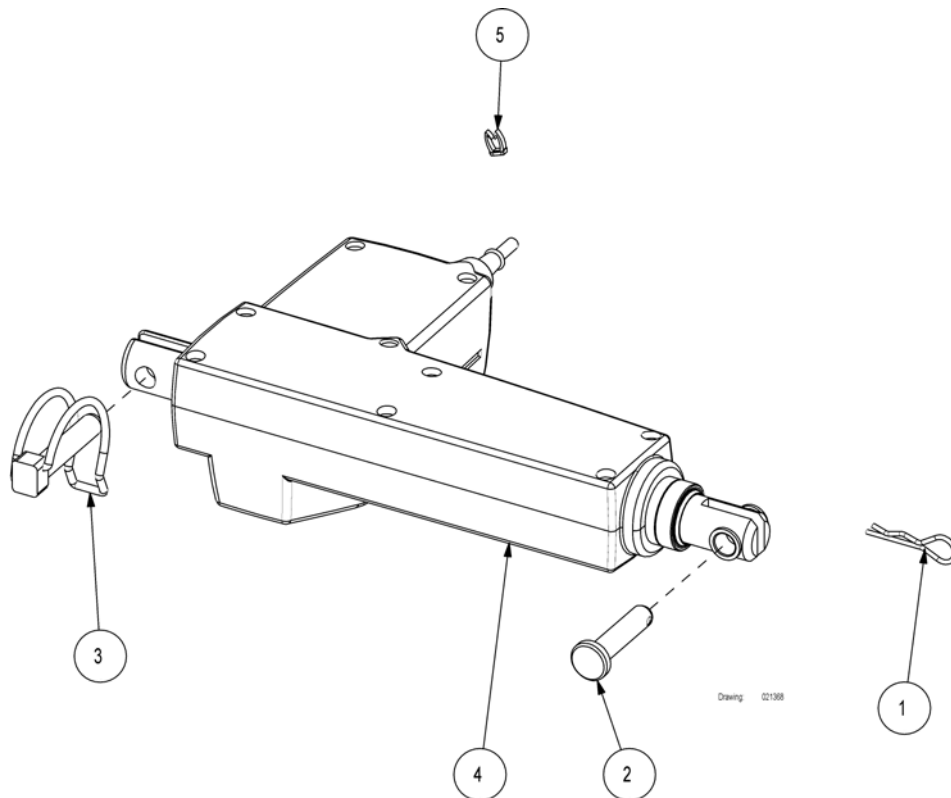
-	(Motor for thigh section)	1
-	(Motor for thigh section, V0)	1

(Motor for thigh section)



1	816427	FJÆRSPLINT HÖNG	1
2	818328	SPLINTBOLT 10X45 HÖNG	1
3	819411	LÅSESPLINT M/FJÆRBØYLE MOTOR SB 400/750/755	1
4	1423903	MOTOR LÅR/BENDEL SB750 GRÅ	1
5	1444094	KABELMERKE MOTOR 3 ORANGE LÅRMOTOR SB750	1

(Motor for thigh section, V0)

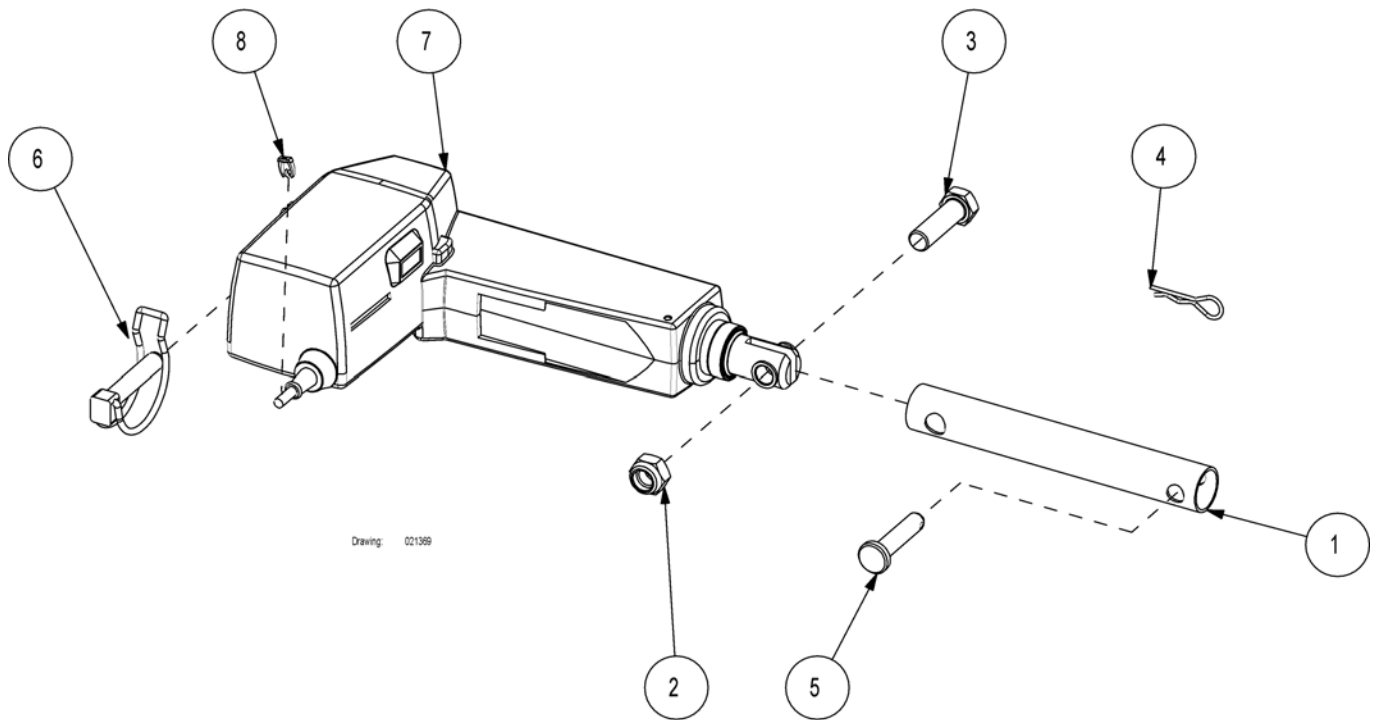


1	816427	FJÆRSPLINT HÖNG	1
2	818328	SPLINTBOLT 10X45 HÖNG	1
3	819411	LÅSESPLINT M/FJÆRBØYLE MOTOR SB 400/750/755	1
4	1492476-7035	(24V motor LA31, IP66, RAL 7035)	1
5	1444094	KABELMERKE MOTOR 3 ORANGE LÅRMOTOR SB750	1

(Motor and gas spring for leg section)

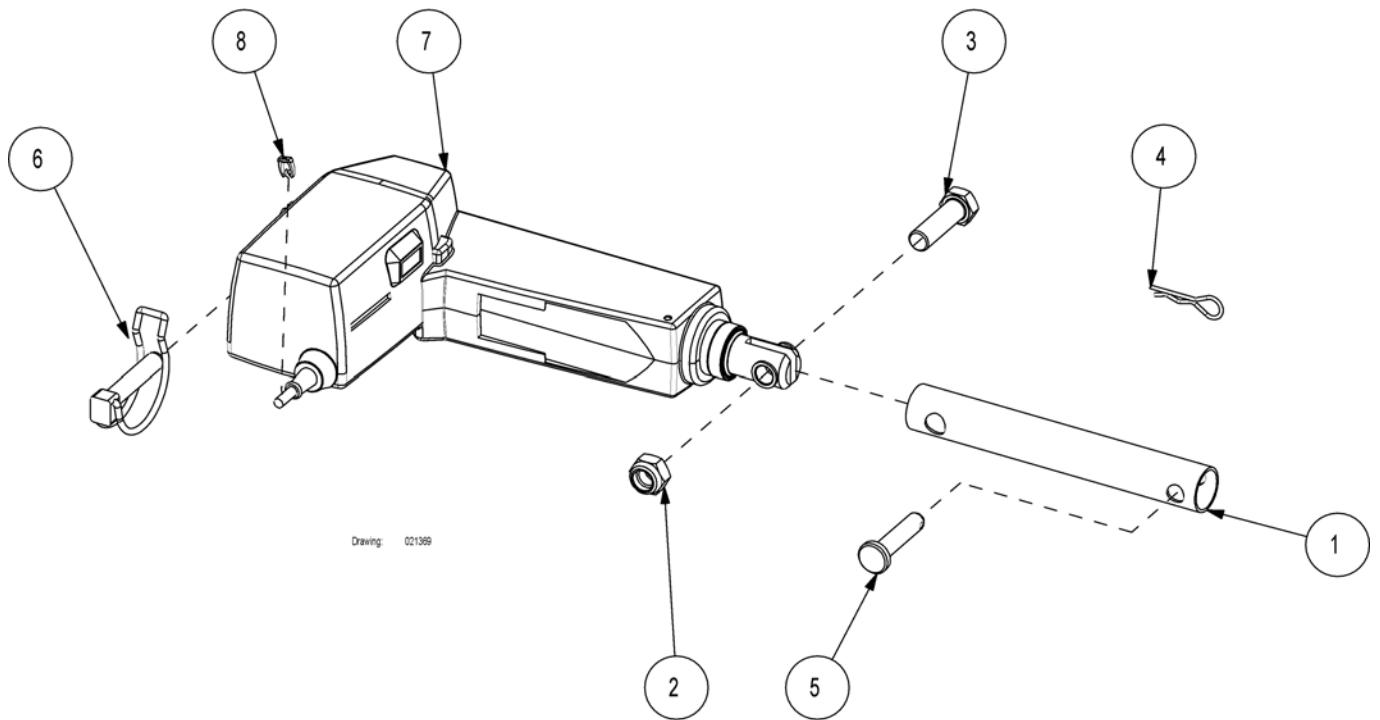
-	(Motor for leg section)	1
-	(Motor for leg section, V0)	1
-	(Gas spring for 85 cm width)	1
-	(Gas spring for 90 cm width)	1

(Motor for leg section)



1	420172-1015	RØRSTYKKE BENMOTOR 750	1
2	804481	LÅSEMUTTER M12	1
3	806762	SETTSKRUE M12 X 40 SB 750	1
4	816427	FJÆRSPLINT HÖNG	1
5	818328	SPLINTBOLT 10X45 HÖNG	1
6	819411	LÅSESPLINT M/FJÆRBØYLE MOTOR SB 400/750/755	1
7	1423903	MOTOR LÅR/BENDEL SB750 GRÅ	1
8	1444095	KABELMERKE MOTOR 4 GUL BENMOTOR SB750	1

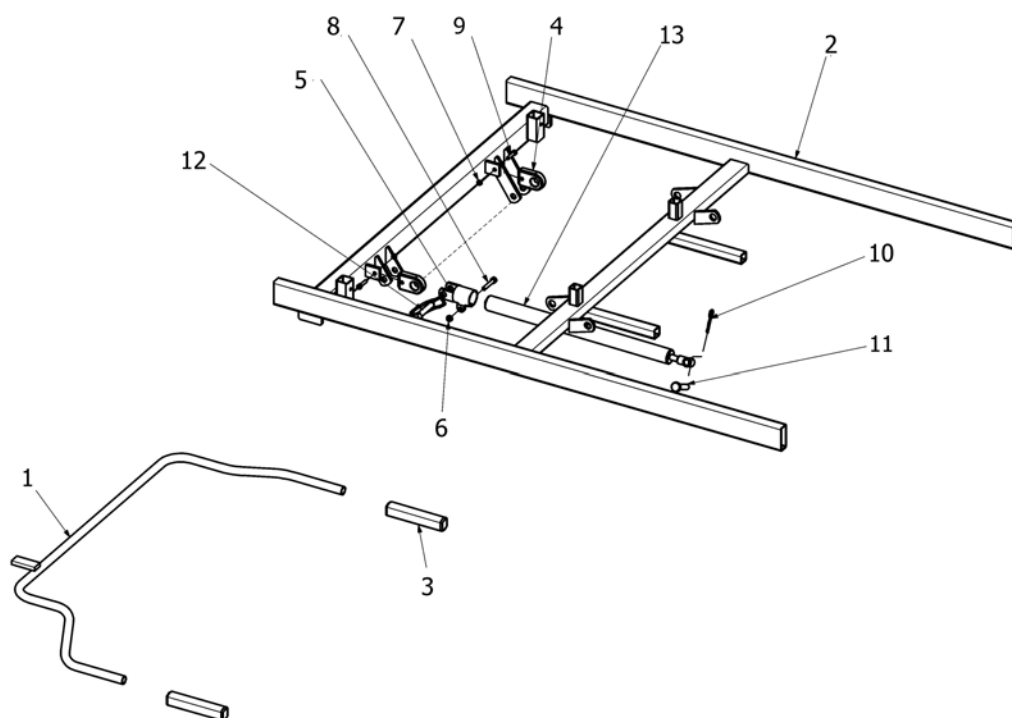
(Motor for leg section, V0)



1	420172-1015	RØRSTYKKE BENMOTOR 750	1
2	804481	LÅSEMUTTER M12	1
3	806762	SETTSKRUE M12 X 40 SB 750	1
4	816427	FJÆRSPLINT HÖNG	1
5	818328	SPLINTBOLT 10X45 HÖNG	1
6	819411	LÅSESPLINT M/FJÆRBØYLE MOTOR SB 400/750/755	1
7	1492476-7035	(24V motor LA31, IP66, RAL 7035)	1
8	1444095	KABELMERKE MOTOR 4 GUL BENMOTOR SB750	1

(Gas spring for 85 cm width)

99

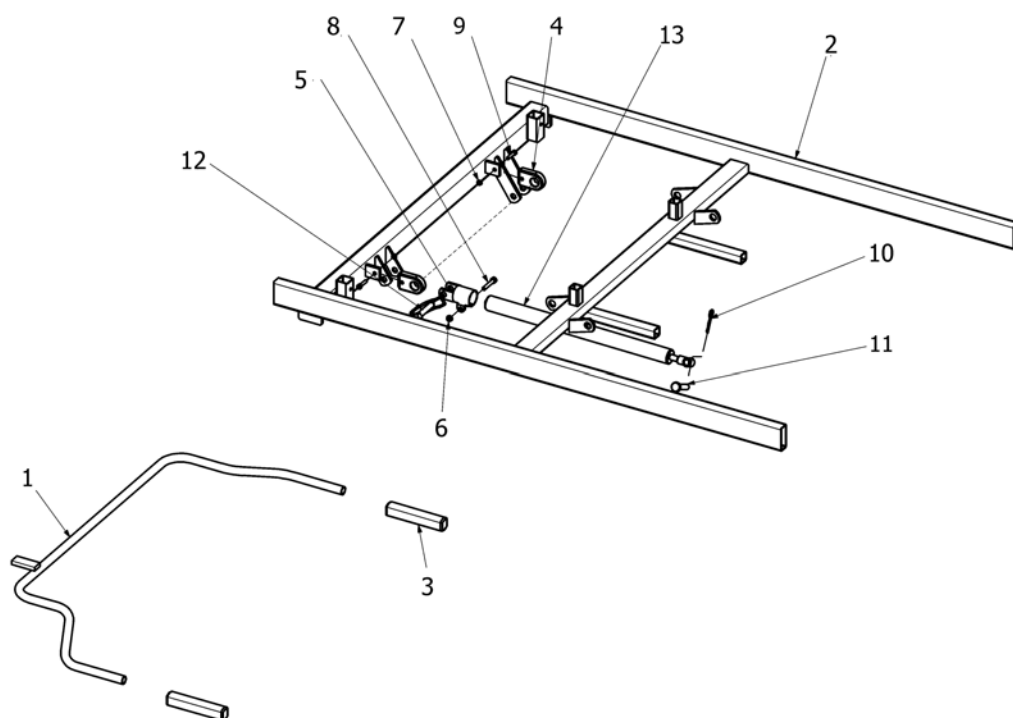


SP021371

99	SP021371-1015	(Gas spring for 85cm width)	0
1	219587-1015	(Release lever for gas spring, 85 cm width)	1
2	221134-1015	(Top frame, foot end, 85x183 cm)	1
2	221154-1015	OVERRAMME FOTDEL SB750 85CM.KUN YTERRAMME	1
3	314900-7035	(Handle for leg elevation, RAL 7035)	2
4	404833	HOLDER SORT F/UTLØSERHÅNDTAK GRILON	2
5	414911.60	GASFJÆROPPHENG SB710	1
6	803992	LÅSEMUTTER M6RILLER	1
7	804458	LÅSEMUTTER M5	2
8	806785	SKRUE M6X35	1
9	806793	SKRUE M5X20	2
10	816427	FJÆRSPLINT HÖNG	1
11	818328	SPLINTBOLT 10X45 HÖNG	1
12	819411	LÅSESPLINT M/FJÆRBØYLE MOTOR SB 400/750/755	1
13	821248	GASSTRYKKFJÆR LEGGDEL SB750 18-2-394-45 1000N	1

(Gas spring for 90 cm width)

99



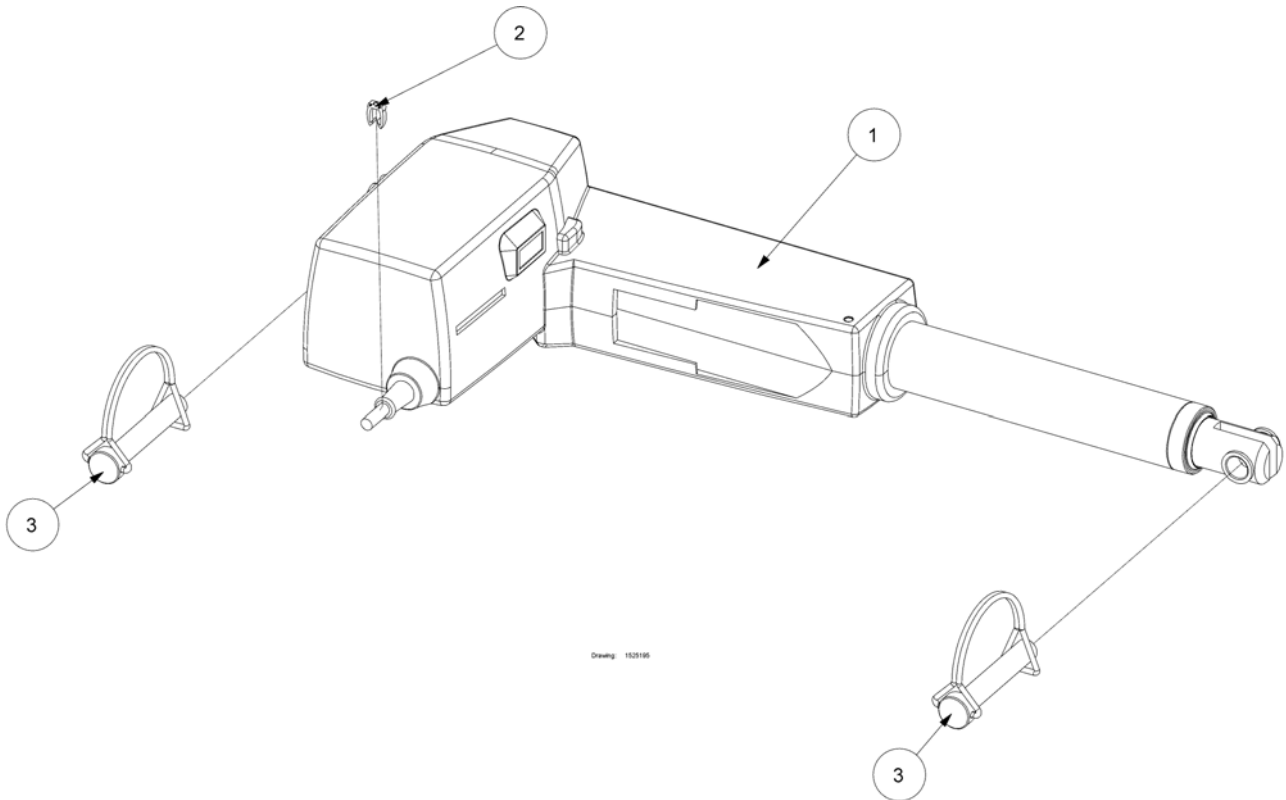
SP021371

99	SP021372-1015	(Gas spring for 90 cm width)	1
1	219598-1015	(Release lever for gas spring, 90 cm width)	1
2	221162-1015	(Top frame, foot end, 90x200 cm)	1
2	221165-1015	(Top frame, foot end, 90x183 cm)	1
3	314900-7035	(Handle for leg elevation, RAL 7035)	2
4	404833	HOLDER SORT F/UTLØSERHÅNDTAK GRILON	2
5	414911.60	GASFJÆROPPHENG SB710	1
6	803992	LÅSEMUTTER M6RILLER	1
7	804458	LÅSEMUTTER M5	2
8	806785	SKRUE M6X35	1
9	806793	SKRUE M5X20	2
10	816427	FJÆRSPLINT HÖNG	1
11	818328	SPLINTBOLT 10X45 HÖNG	1
12	819411	LÅSESPLINT M/FJÆRBØYLE MOTOR SB 400/750/755	1
13	821248	GASSTRYKKFJÆR LEGGDEL SB750 18-2-394-45 1000N	1

(Motor for height adjustment)

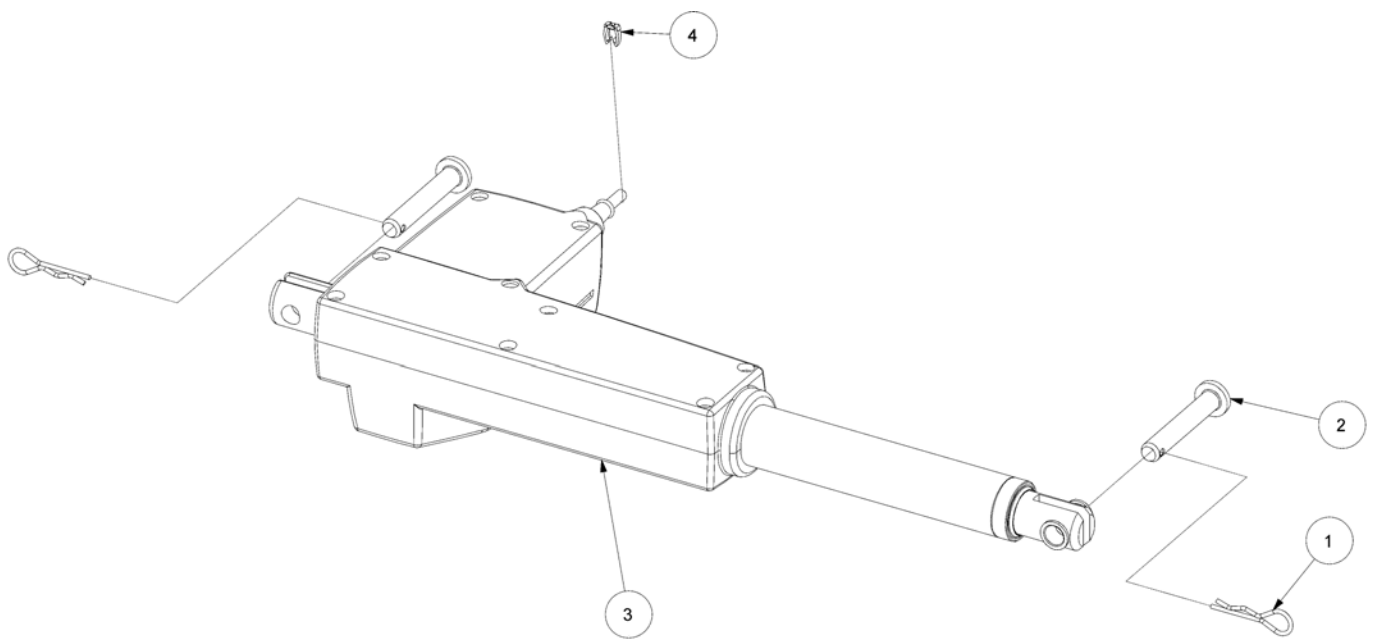
-	(Motor for height adjustment)	1
-	(Motor for height adjustment, 120 cm width)	1
-	(Motor for height adjustment, 85+90+105 cm width, V0)	1
-	(Motor for height adjustment, 120 cm width, V0)	1

(Motor for height adjustment)



1	1423901	MOTOR LØFT SB750 755 STACATA GRÅ	1
2	1444093	KABELMERKE MOTOR 2 RØDN HØYDEMOTOR SB750	1
3	1507121	LÅSEBOLT LØFTEMOTOR TRAKTORSPLINT SB400	2

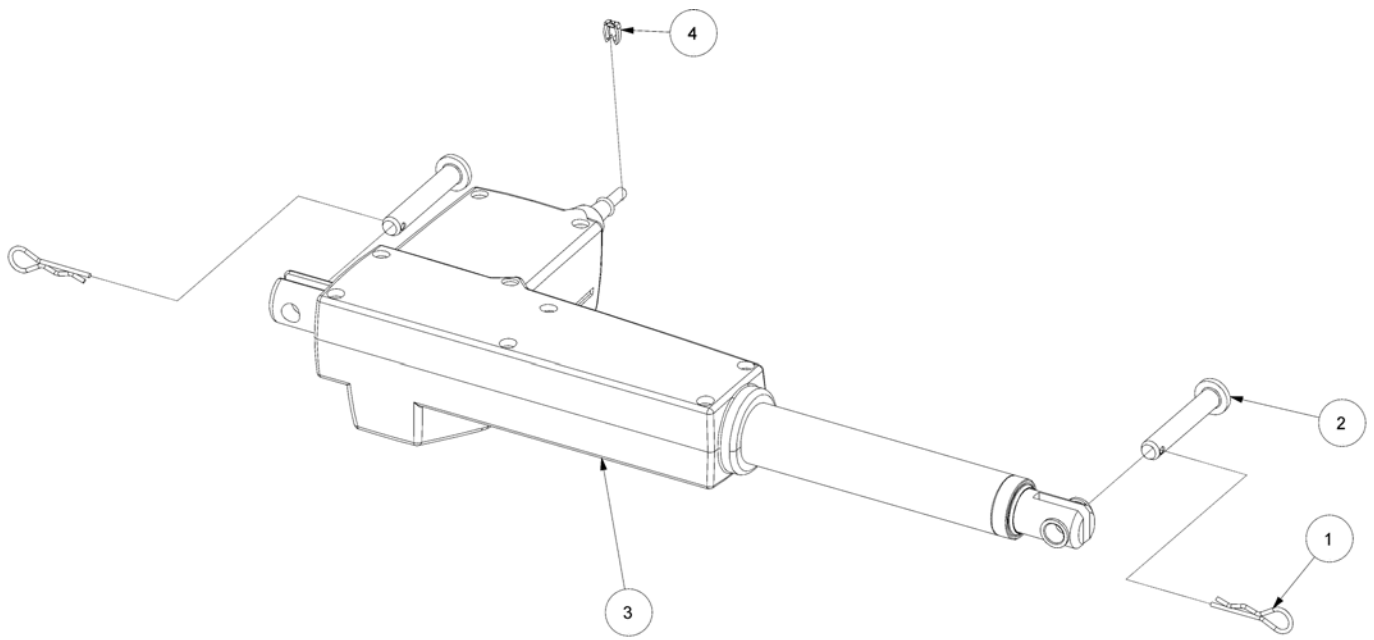
(Motor for height adjustment, 120 cm width)



Drawing: 021370

1	816427	FJÆRSPLINT HÖNG	2
2	821204	SPLINTBOLT 10X60 HÖNG	2
3	1423909	MOTOR LØFT SB750 105 120 CM GRÅ	1
4	1444093	KABELMERKE MOTOR 2 RØDN HØYDEMOTOR SB750	1

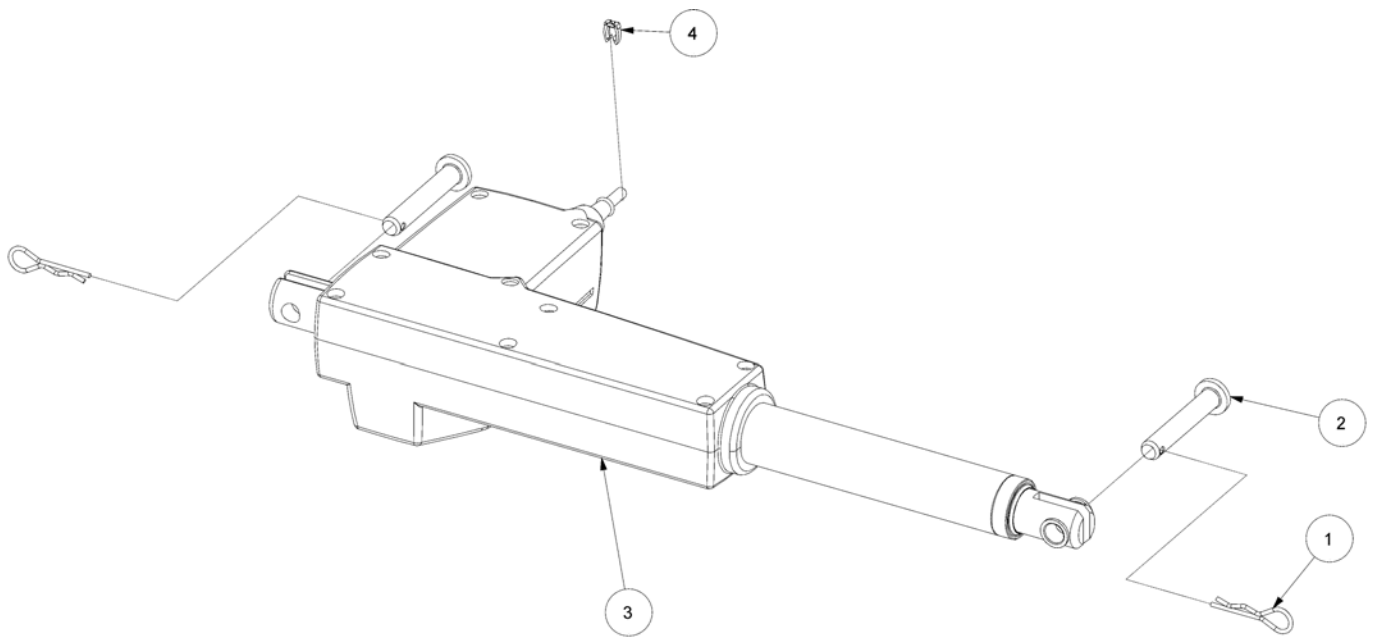
(Motor for height adjustment, 85+90+105 cm width, V0)



Drawing: 021370

1	816427	FJÆRSPLINT HÖNG	2
2	821204	SPLINTBOLT 10X60 HÖNG	2
3	1492477-7035	(24V motor LA31, IP66, V0, RAL 7035)	1
4	1444093	KABELMERKE MOTOR 2 RØDN HØYDEMOTOR SB750	1

(Motor for height adjustment, 120 cm width, V0)



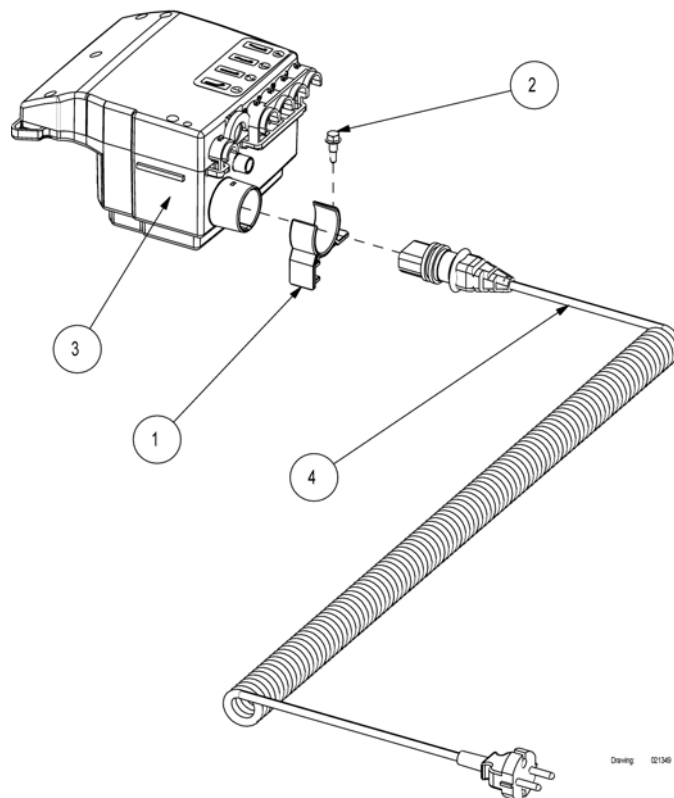
Drawing: 021370

1	816427	FJÆRSPLINT HÖNG	2
2	821204	SPLINTBOLT 10X60 HÖNG	2
3	1492479-7035	(24V motor LA31, IP66, V0, RAL 7035)	1
4	1444093	KABELMERKE MOTOR 2 RØDN HØYDEMOTOR SB750	1

(Control unit for 85+90 cm width)

-	(Control unit without accumulator backup, 4 motors, EU)	1
-	(Control unit without accumulator backup, 3 motors, EU)	1
-	(Control unit with accumulator backup, 4 motors, EU)	1
-	(Control unit with accumulator backup, 3 motors, EU)	1
-	(Control unit without accumulator backup, 4 motors, UK)	1
-	(Control unit with accumulator backup, 4 motors, UK)	1
-	(Control unit without accumulator backup, 4 motors, Japan)	1
-	(Control unit with battery backup)	1
-	(Control unit without accumulator backup, 4 motors, V0, EU)	1

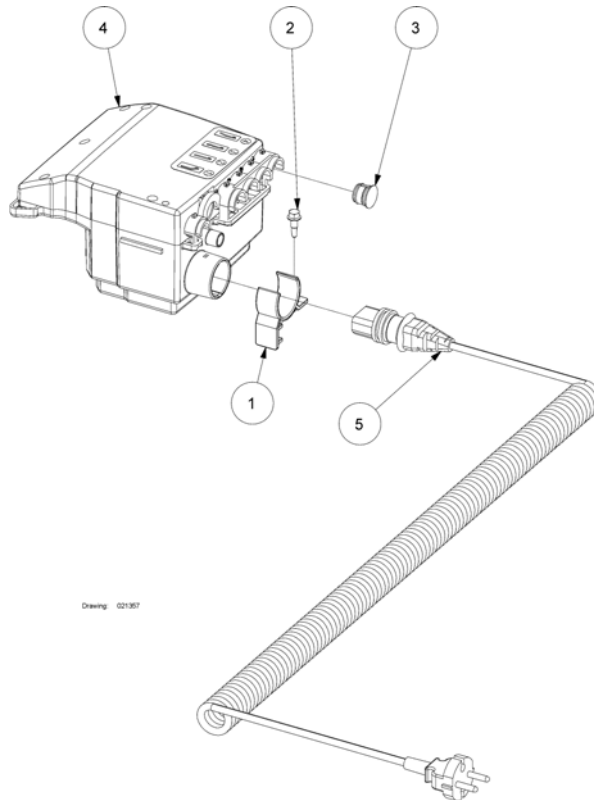
(Control unit without accumulator backup, 4 motors, EU)



Drawing: 021546

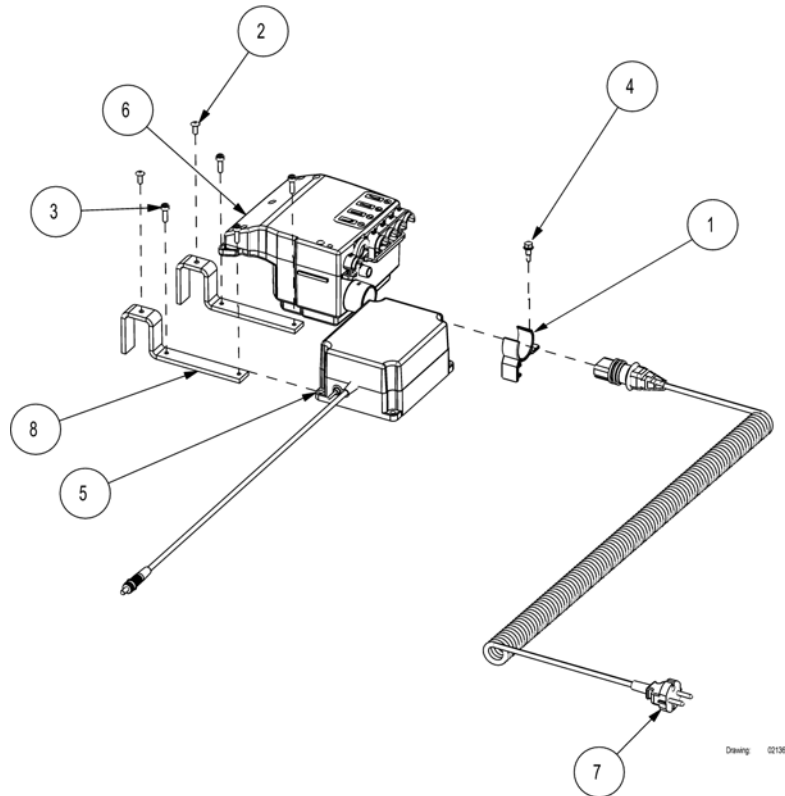
1	320522-7035	HOLDER F.STYRING SB 750	BEST.VARE	1
2	819407	SKRUE SELVORENDE 5X19	BEST.VARE	1
3	1423906	STYRING SB750 NY TYPE GRÅ	LEV U/NETTKAB.SPIRAL	1
4	SP1424000	(Power cable EU)		1

(Control unit without accumulator backup, 3 motors, EU)



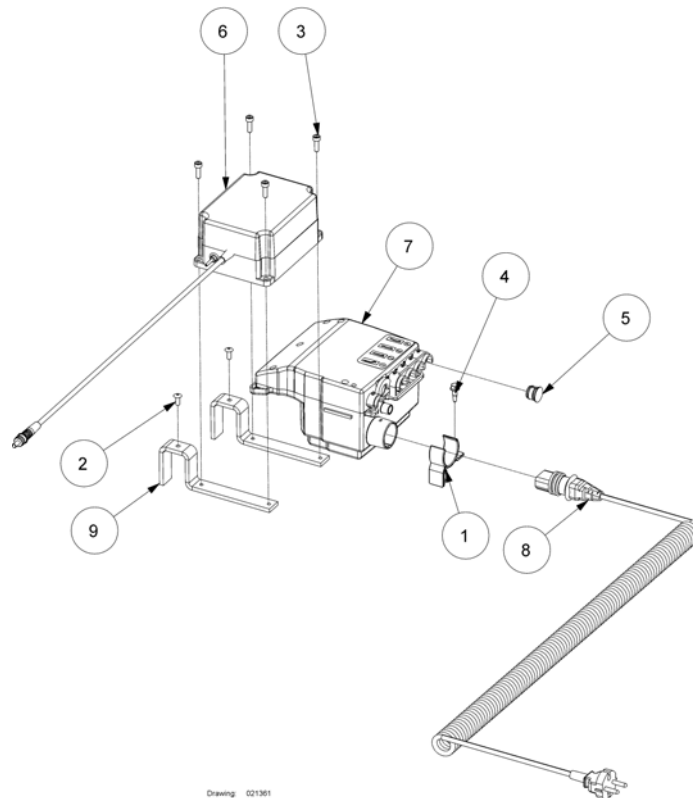
1	320522-7035	HOLDER F.STYRING SB 750	BEST.VARE	1
2	819407	SKRUE SELVORENDE 5X19	BEST.VARE	1
3	819429-7035	PROPP BATTERIBACUP	PROPP STYRING HULL BAT.B	1
4	1423906	STYRING SB750 NY TYPE	GRÅ.LEV U/NETTKAB.SPIRAL	1
7	SP1424000	(Power cable EU)		1

(Control unit with accumulator backup, 4 motors, EU)



2	803833	POPNAGLE HENGSELLEDD SCANBED	2
3	816480	(Screw M5x16 ISO 4752)	4
4	819407	SKRUE SELVORENDE 5X19BEST.VARE	1
5	1423905	(Accumulator backup unit for CB09)	1
6	1423907	STYRING SB755 FORBEREDT BATT.BACUP U. NETTKABEL	1
7	SP1424000	(Power cable EU)	0
8	1441342-1015	(Bracket for accumulator backup)	2
1	320522-7035	HOLDER F.STYRING SB 750 BEST.VARE	1

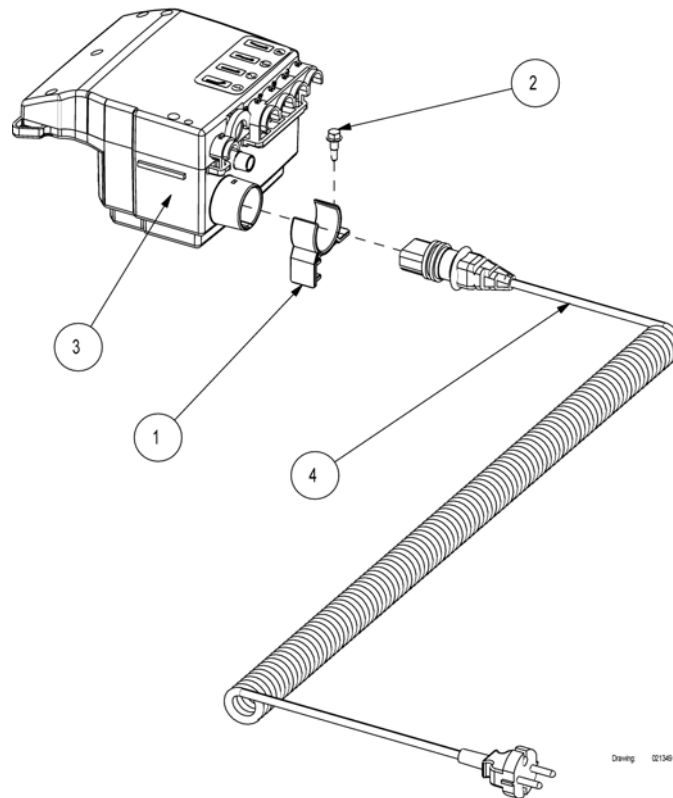
(Control unit with accumulator backup, 3 motors, EU)



Drawing: 021361

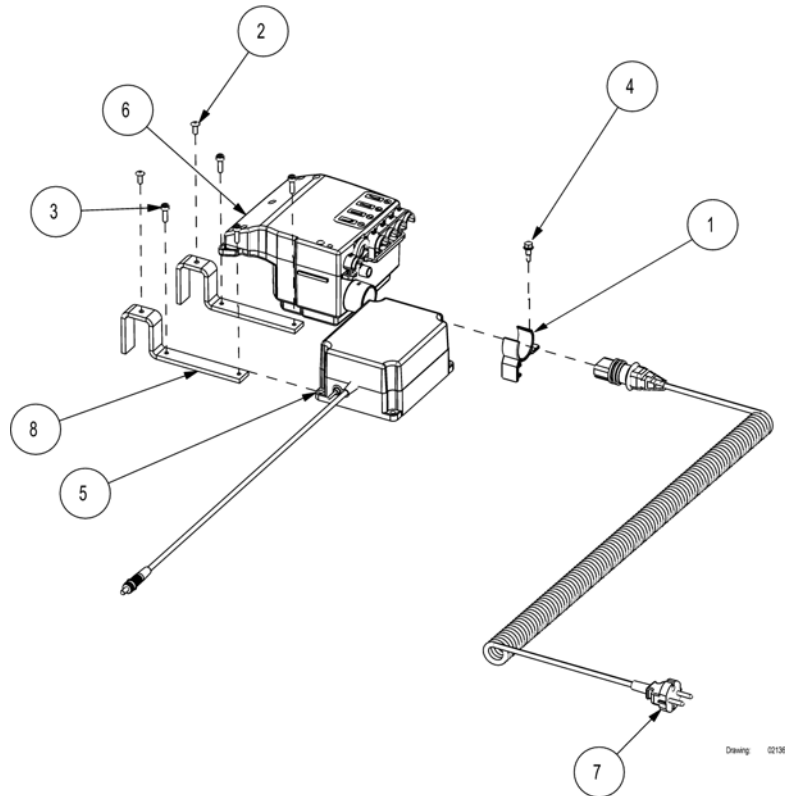
1	320522-7035	HOLDER F.STYRING SB 750	BEST.VARE	1
2	803833	POPNAGLE HENGSELLEDD SCANBED		2
3	816480	(Screw M5x16 ISO 4752)		4
4	819407	SKRUE SELVORENDE 5X19	BEST.VARE	1
5	819429-7035	PROPP BATTERIBACUP PROPP STYRING HULL BAT.B		1
6	1423905	(Accumulator backup unit for CB09)		1
7	1423907	STYRING SB755 FORBEREDT BATT.BACUP U. NETTKABEL		1
8	SP1424000	(Power cable EU)		1
9	1441342-1015	(Bracket for accumulator backup)		2

(Control unit without accumulator backup, 4 motors, UK)



1	320522-7035	HOLDER F.STYRING SB 750	BEST.VARE	1
2	819407	SKRUE SELVORENDE 5X19	BEST.VARE	1
3	1423906	STYRING SB750 NY TYPE GRÅ	LEV U/NETTKAB.SPIRAL	1
4	819430	(Power cable UK)		1
4	SP819430	(Power cable UK)		1

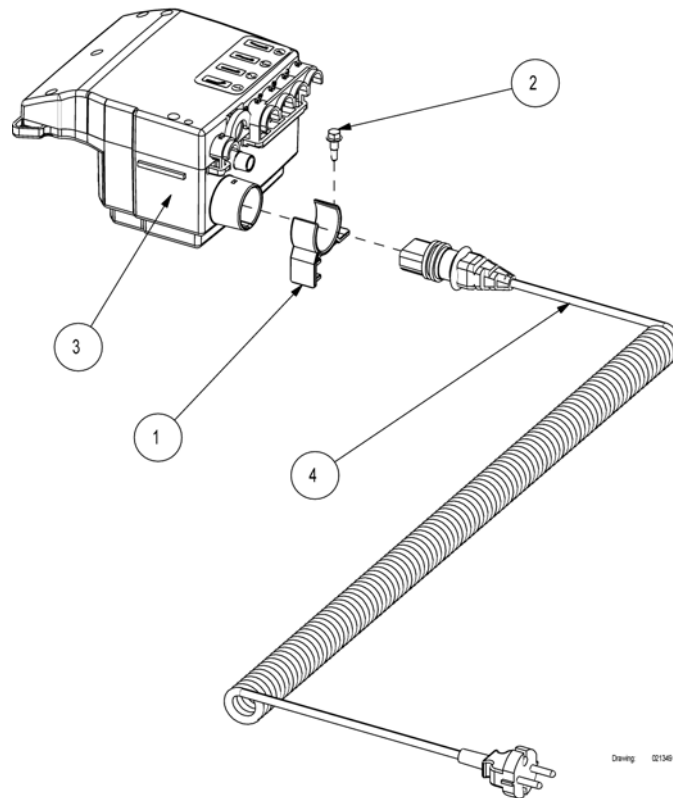
(Control unit with accumulator backup, 4 motors, UK)



Drawing: 02190

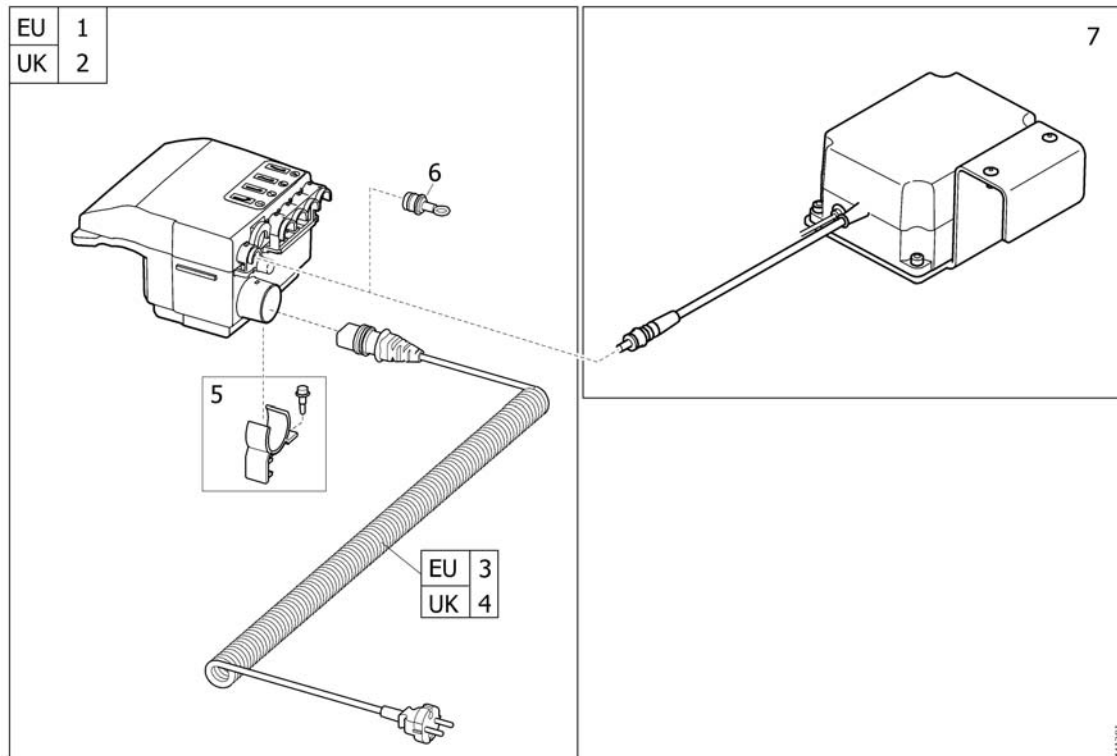
1	320522-7035	HOLDER F.STYRING SB 750	BEST.VARE	1
2	803833	POPNAGLE HENGSELLEDD SCANBED		2
3	816480	(Screw M5x16 ISO 4752)		4
4	819407	SKRUE SELVORENDE 5X19BEST.VARE		1
5	1423905	(Accumulator backup unit for CB09)		1
6	1423907	STYRING SB755 FORBEREDT BATT.BACUP U. NETTKABEL		1
8	1441342-1015	(Bracket for accumulator backup)		2
7	SP819430	(Power cable UK)		1

(Control unit without accumulator backup, 4 motors, Japan)



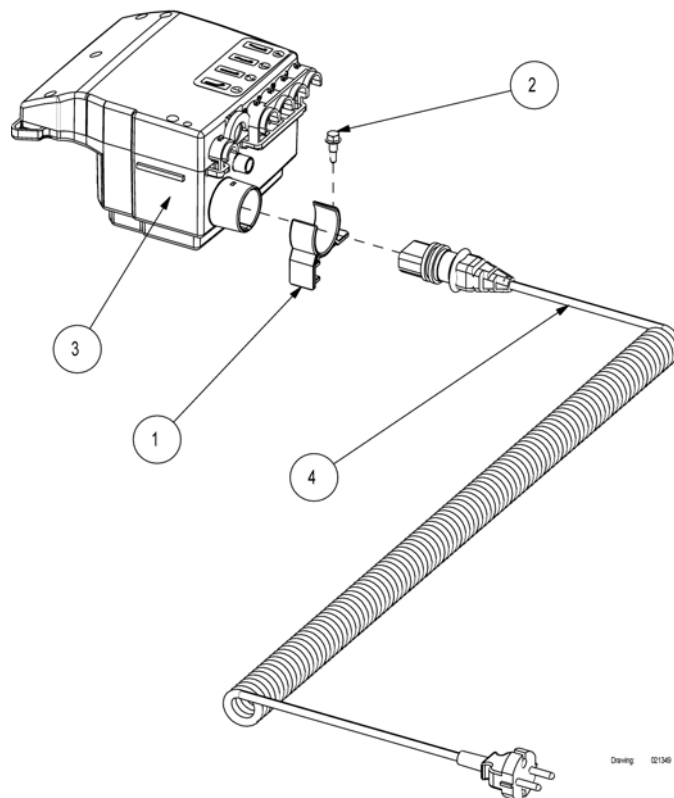
1	320522-7035	HOLDER F.STYRING SB 750	BEST.VARE	1
2	819407	SKRUE SELVORENDE 5X19	BEST.VARE	1
4	1423892	(Power cable Japan)		1
3	1423906	STYRING SB750 NY TYPE GRÅ.LEV U/NETTKAB.SPIRAL		1

(Control unit with battery backup)



1	SP1441301	(Control unit CB09, EU, for battery backup)	1
2	SP1526967	(Control unit CB09, UK, for battery backup)	1
3	SP1424000	(Power cable EU)	1
4	SP819430	(Power cable UK)	1
5	SP1580782	(Bracket for control unit CB09, cpl.)	1
6	1441299-7035	(Plug for control unit CB09)	1
7	1524336-0154	BATTERI BACKUP SB755 M FESTE OG BATTERI ALU	1

(Control unit without accumulator backup, 4 motors, V0, EU)



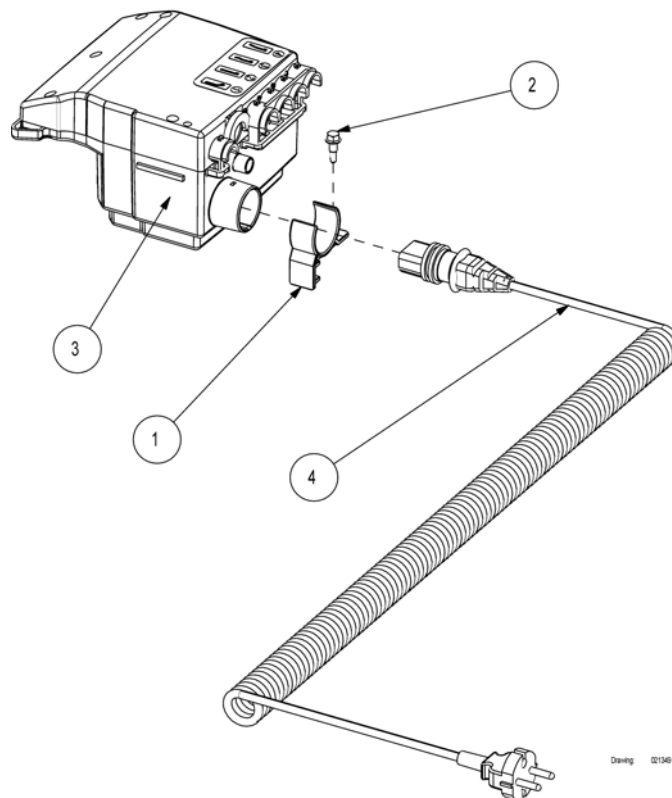
Drawing: 02156

1	320522-7035	HOLDER F.STYRING SB 750	BEST.VARE	1
2	819407	SKRUE SELVORENDE 5X19	BEST.VARE	1
3	1492474-7035	(Control unit CB09 V0)		1
4	SP1424000	(Power cable EU)		1

(Control unit for 105+120 cm width)

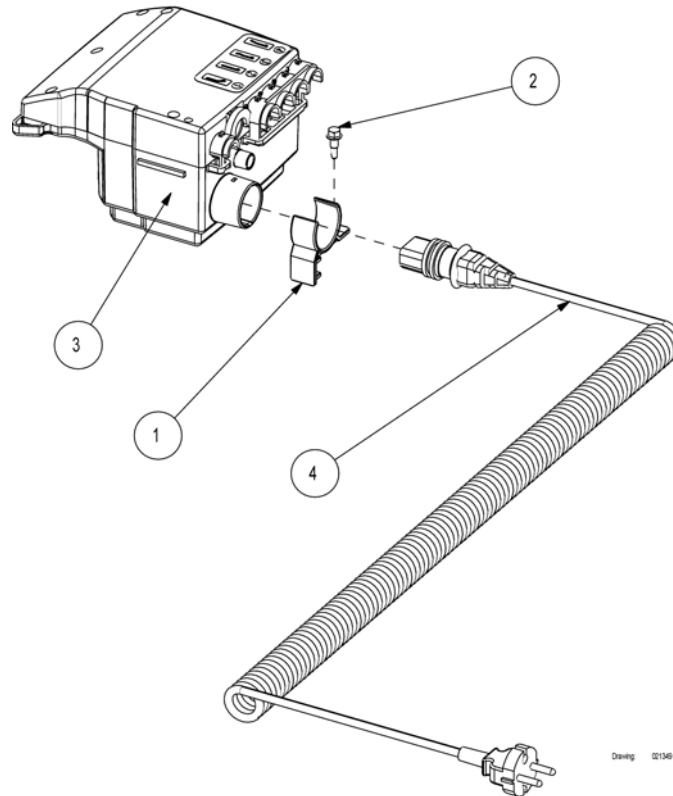
-	(Control unit without accumulator backup, 4 motors, EU)	1
-	(Control unit without accumulator backup, 4 motors, V0, EU)	1

(Control unit without accumulator backup, 4 motors, EU)



1	320522-7035	HOLDER F.STYRING SB 750	BEST.VARE	1
2	819407	SKRUE SELVORENDE 5X19	BEST.VARE	1
3	1423978	STYRING SB750 NY TYPE AVT.LEDN.105-120CM	B.VAR	1
4	SP1424000	(Power cable EU)		1

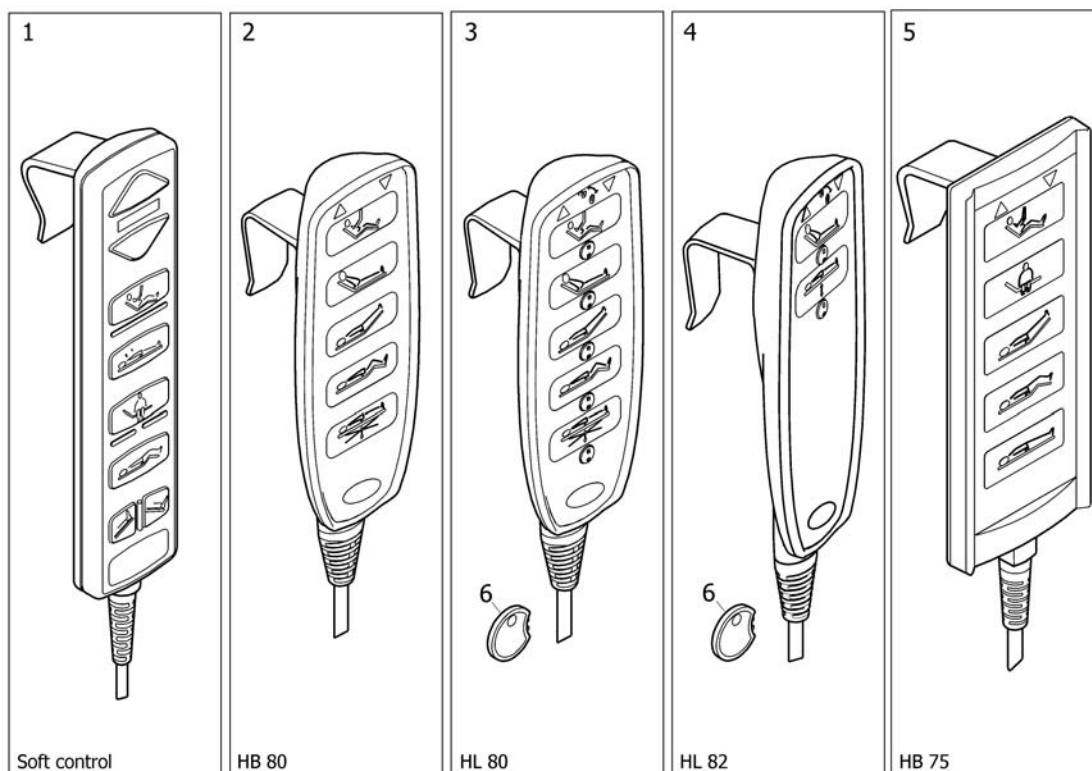
(Control unit without accumulator backup, 4 motors, V0, EU)



Drawing 02156

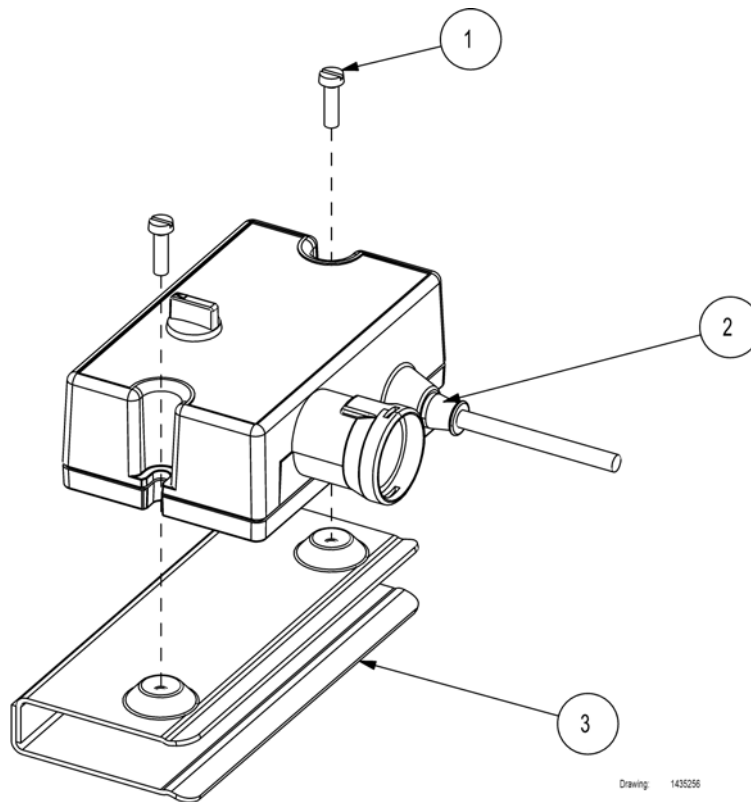
1	320522-7035	HOLDER F.STYRING SB 750	BEST.VARE	1
2	819407	SKRUE SELVORENDE 5X19	BEST.VARE	1
3	1492478-7035	(Control unit CB09 EAS V0)		1
4	SP1424000	(Power cable EU)		1

(Handcontrol)



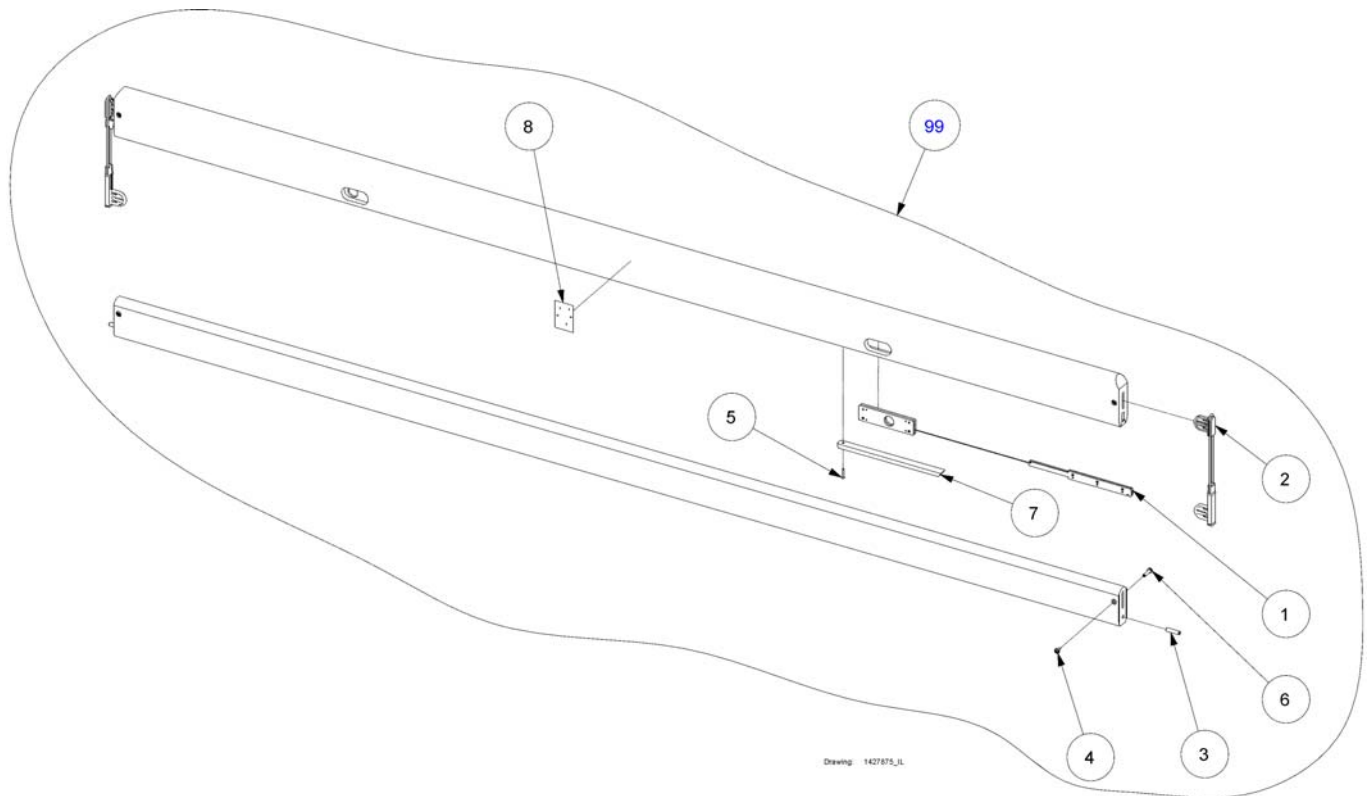
1	1423983	BETJENINGSBOKS SB750 4 VEIS SOFT CONTROL	1
2	1531345-7035	BETJENINGSBOKS SB 755 HB80 SB 755	1
3	1531346-7035	BETJENINGSBOKS SB 755 LÅSBAR HB 80 SB755	1
4	1557974-7035	(Handcontrol Height and backrest HL82 with key)	1
5	1492876	BETJENINGSBOKS SB750 SB755 M FARGE	1
6	1493529	LÅSENØKKEL HÅNDKONTROLL HL80 (ACP-LÅS)BLÅ	1

(ACP box with accessories)

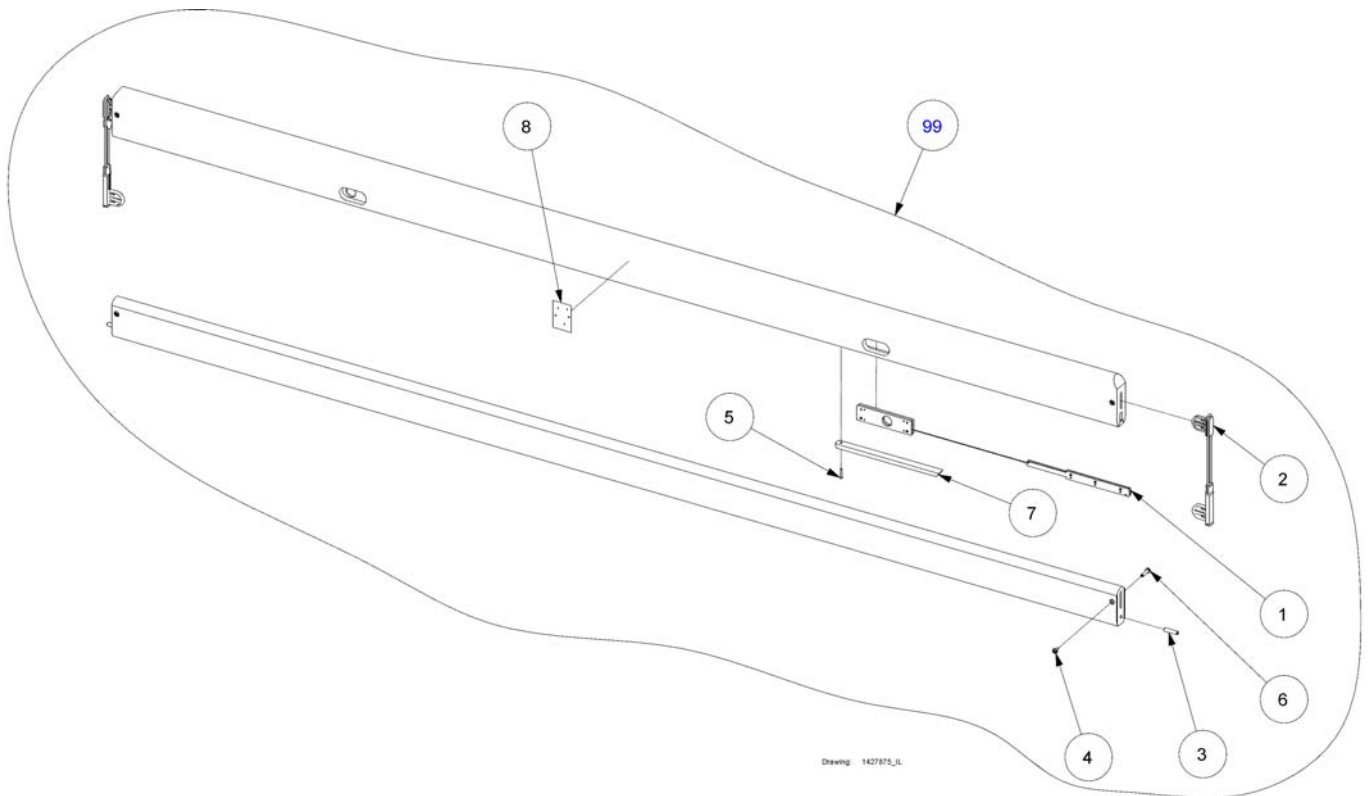


1	812358	(Screw M4x14 ISO1207)	2
2	1435255	(ACP box, micro)	1
3	1435305-1015	(Bracket for ACP box)	1

(Britt III side rail, for 183 cm length)

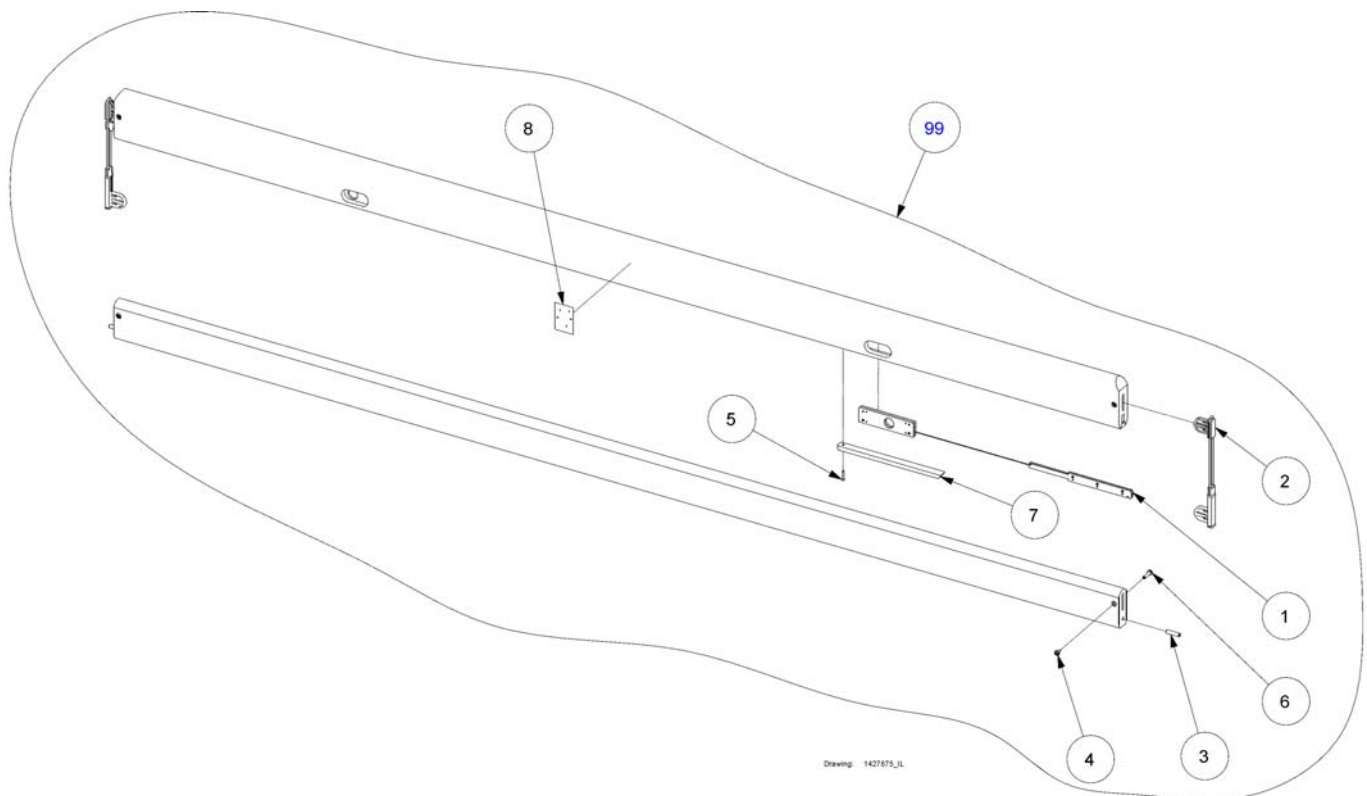


1	020024	LÅSEMEKANISEME SIDEGRIND BRITT III TIL 2 GRINDER	1
2	319137	GLIDER NY FOR BRITT III GRIND KOMPLETT	2
3	413766	LÅSEBOLT TIL ENDEGAVLER STOPPER FOR BRITT BEST	2
4	817265	MØBELSKRUE MESSING HUN 20MM(5X20) BRITT III	4
5	814374	SKRUE Ø30X20	2
6	812367	MØBELSKRUE,MESS.M4X6,5 HAN BRITT II	4
7	1517167-0101	BØKLIST UNDER LÅSEMEK.BRITT III	2
7	1517167-0102	(Wood strip for wood side rails Britt Cherry)	2
8	1435328	(Label for wooden side rail)	1
99	021342.01	SIDEGRIND BRITT BØK PAR 180CM SB750 KORT	1

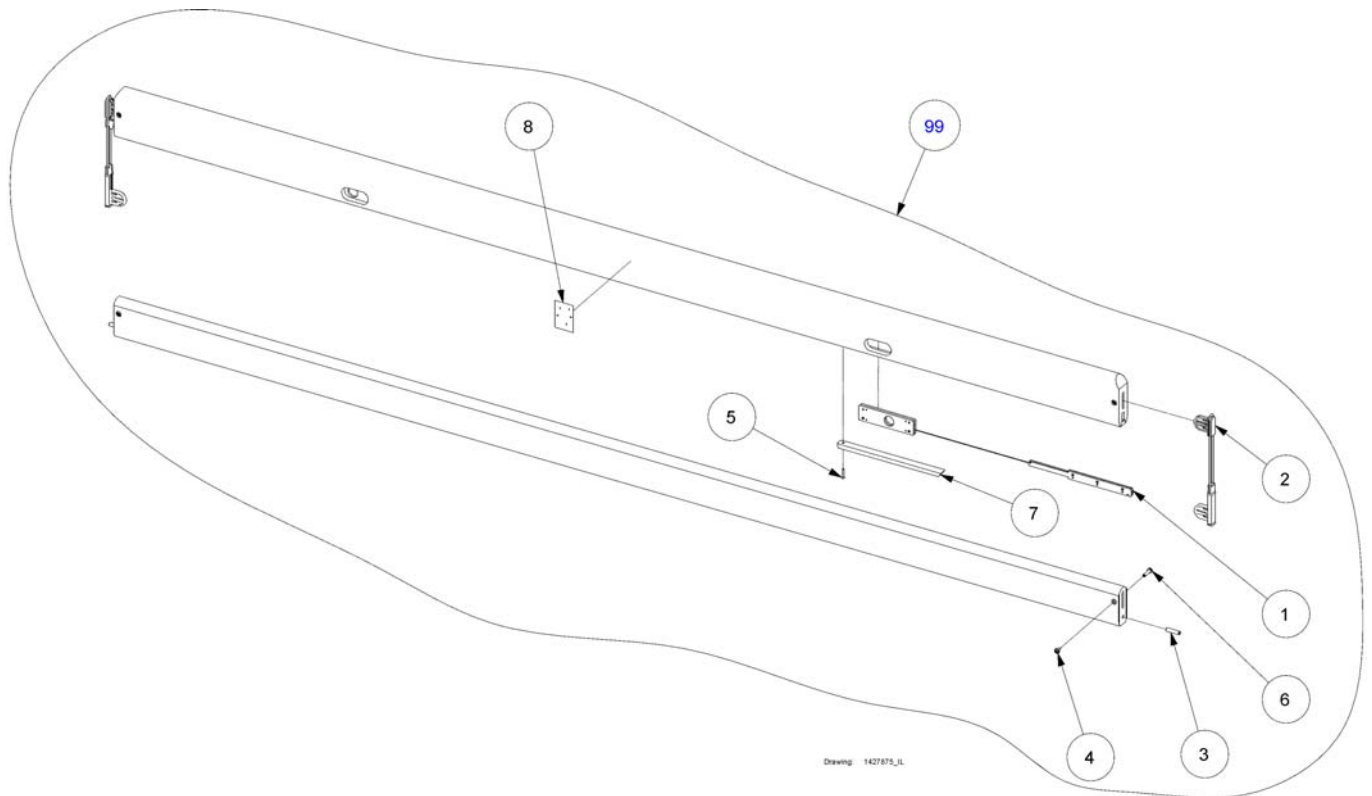
(Britt III side rail)

1	020024	LÅSEMEKANISEME SIDGRIND BRITT III TIL 2 GRINDER	1
2	319137	GLIDER NY FOR BRITT III GRIND KOMPLETT	2
3	413766	LÅSEBOLT TIL ENDEGAVLER STOPPER FOR BRITT BEST	2
4	817265	MØBELSKRUE MESSING HUN 20MM(5X20) BRITT III	4
5	814374	SKRUE Ø30X20	2
6	812367	MØBELSKRUE,MESS.M4X6,5 HAN BRITT II	4
7	1517167-0102	(Wood strip for wood side rails Britt Cherry)	2
7	1517167-0101	BØKLIST UNDER LÅSEMEK.BRITT III	2
8	1435328	(Label for wooden side rail)	1
99	020434.05	SIDGRIND BRITT III PAR HVIT SB750-710-400	1
99	020434.02	SIDGRIND BRITT III PAR KIRSEBÆR SB750-710-400	1
99	020434.01	SIDGRIND BRITT III PAR BRUK SP020434-0101	1

(Britt II side rail, extended)

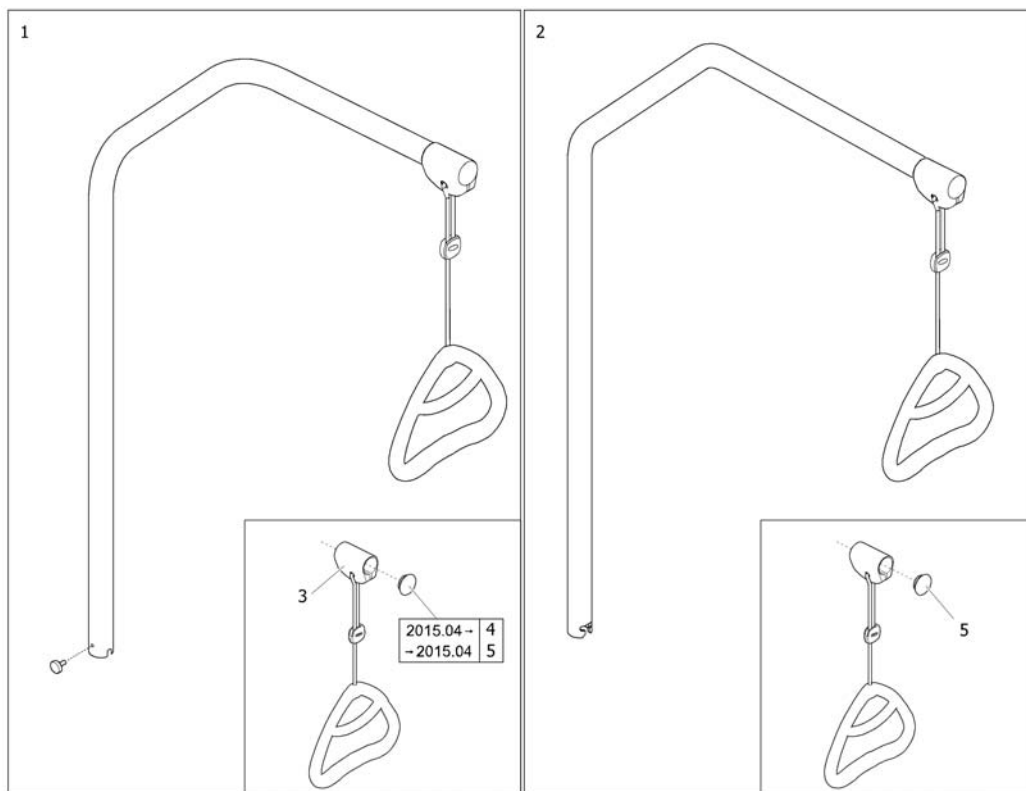


1	020024	LÅSEMEKANISEME SIDGRIND BRITT III TIL 2 GRINDER	1
2	319137	GLIDER NY FOR BRITT III GRIND KOMPLETT	2
3	413766	LÅSEBOLT TIL ENDEGAVLER STOPPER FOR BRITT BEST	2
4	817265	MØBELSKRUE MESSING HUN 20MM(5X20) BRITT III	4
5	814374	SKRUE Ø30X20	2
6	812367	MØBELSKRUE,MESS.M4X6,5 HAN BRITT II	4
7	1517167-0102	(Wood strip for wood side rails Britt Cherry)	2
7	1517167-0101	BØKLIST UNDER LÅSEMEK.BRITT III	2
8	1435328	(Label for wooden side rail)	1
99	019372.05	SIDGRIND BRITT HVITPIGM FORLENGET 215CM PAR	1
99	019372.02	SIDGRIND BRITT III PAR KIRSEBÆR 215CM	1
99	019372.01	SIDGRIND BRITT BØK PAR FORLENGET 215CM	1

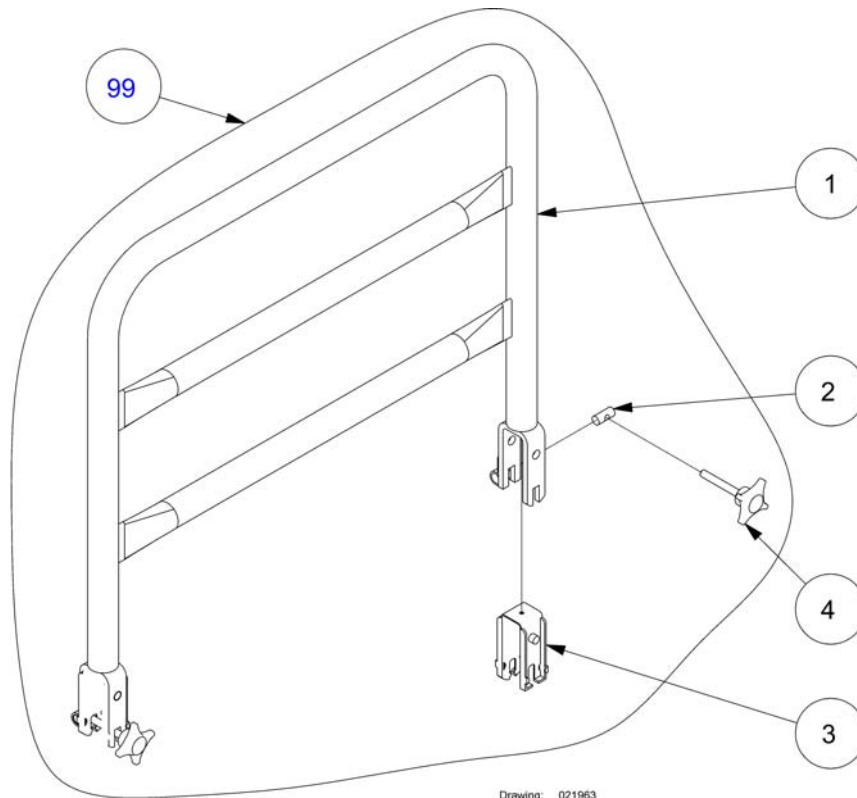
(Britt IV side rail)

1	020024	LÅSEMEKANISEME SIDGRIND BRITT III TIL 2 GRINDER	1
2	319137	GLIDER NY FOR BRITT III GRIND KOMPLETT	2
3	413766	LÅSEBOLT TIL ENDEGAVLER STOPPER FOR BRITT BEST	2
4	817265	MØBELSKRUE MESSING HUN 20MM(5X20) BRITT III	4
5	814374	SKRUE Ø30X20	2
6	812367	MØBELSKRUE,MESS.M4X6,5 HAN BRITT II	4
7	1517167-0102	(Wood strip for wood side rails Britt Cherry)	2
7	1517167-0101	BØKLIST UNDER LÅSEMEK.BRITT III	2
8	1435328	(Label for wooden side rail)	1
99	1427875-0105	(Side rail Britt IV, 1 pair)	1
99	1427875-0102	(Side rail Britt IV, 1 pair)	1
99	1427875-0101	SIDGRIND BRITT IV PAR BØK SB750-710-700-400	1

(Lifting pole)

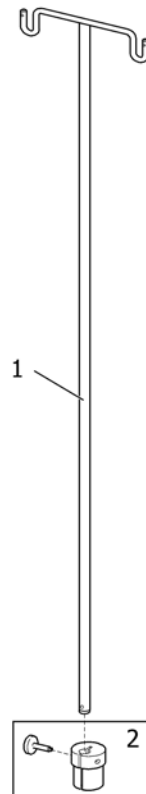


1	1542093-0154	LØFTEBØYLE SB 755 ALU	1
2	3000650.57650P0	SØSTERHJELP SB 755 INNSVINGBAR	1
3	SP320597	(Lifting Pole Handle with Suspension Kit)	1
4	SP317836	(Cap 33mm, lifting pole)	1
5	SP1574796	(Cap 30mm, lifting pole)	1

(Support handles)

1	1505835	(Not for separate sale - please contact Invacare)	21
2	421468	SYLINDERMUTTER FOR SIDTEGRINDFESTE	2
3	421843-9005	PLASTINLEGG SIDTEGRIND SCALA METALL	2
3	421843-7035	(Inlay for u-brace, steel side rail)	2
4	821251-7035	FINGERSKRUE GRÅ SIDTEGRIND SCALA	2
4	821251-9005	FINGERSKRUE SORT SIDTEGRIND SCALA	2
99	1417511-0152	STØTTEHÅNDTAK 40X30 Silver	1
99	1417510-7032	STØTTEHÅNDTAK 25X80 KISEL	1
99	021964.M0	STØTTEHÅNDTAK 25X30 Silver	1
99	1417512-1015	STØTTEHÅNDTAK 40X95 SB710 + SB750	1
99	1417512-0152	STØTTEHÅNDTAK 40X95 Silver	1
99	1417512-7032	STØTTEHÅNDTAK 40X95 KISEL	1
99	1417510-1015	STØTTEHÅNDTAK 25X80 SB710 + SB750	1
99	1417511-7032	STØTTEHÅNDTAK 40X30 KISEL	1
99	1417511-1015	STØTTEHÅNDTAK 40X30 SB710 + SB750	1
99	1417510-0152	STØTTEHÅNDTAK 25X80 Silver	1
99	021964.D0	STØTTEHÅNDTAK 25X30 SB710 + SB750	1
99	021963.M0	STØTTEHÅNDTAK 40X50 Silver	1
99	021963.D0	STØTTEHÅNDTAK 40X50 SB710 + SB750	1

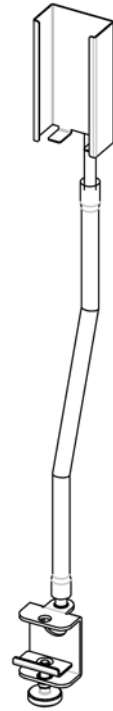
(Drip stand IV)



SFS1496273

1	50.60030.B0	(Dripstand IV, white)	1
2	50.60910.00	HOLDER INFUSJONSSTATIV SB750	1

(Support for hand control)

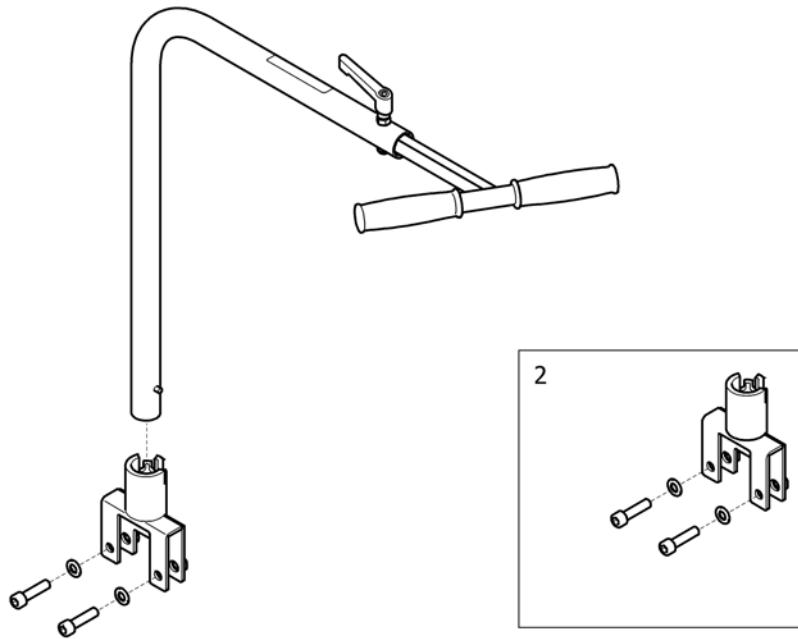


Drawing: 1451252_IL

1427870-1015	HOLDER M/FLEKSIBEL ARM BETJ.BOKS 750-400	1
1433835-1015	HOLDER M/FLEKSIBEL ARM BETJ.BOKS SOFT CONTROL	1

(Sit-up handle)

1



SPSL426899

1	1426899-1015	(Sit-up-support, ivory)	1
2	1555855-1015	(Bracket, Sit-up support cpl., SB750)	1



Yes, you can.®



Belgium & Luxemburg:

Invacare nv, Autobaan 22, B-8210 Loppem
Tel: (32) (0)50 83 10 10, Fax: (32) (0)50 83 10 11
belgium@invacare.com / www.invacare.be

Denmark:

Invacare A/S, Sdr. Ringvej 37, DK-2605 Brøndby
Tel: (45) (0)36 90 00 00, Fax: (45) (0)36 90 00 01
denmark@invacare.com / www.invacare.dk

Deutschland:

Invacare Aquatec GmbH, Alemannenstraße 10, D-88316 Isny
Tel: (49) (0)75 62 7 00 0, Fax: (49) (0)75 62 7 00 66
info@invacare-aquatec.com / www.invacare-aquatec.de

European Distributor Organisation:

Invacare, Kleiststraße 49, D-32457 Porta Westfalica
Tel: (49) (0)57 31 754 540, Fax: (49) (0)57 31 754 541
edo@invacare.com / www.invacare.eu.com

España:

Invacare SA, c/Areny s/n, Polígon Industrial de Celrà, E-17460 Celrà (Girona)
Tel: (34) (0)972 49 32 00, Fax: (34) (0)972 49 32 20
contactsp@invacare.com / www.invacare.es

France:

Invacare Poirier SAS, Route de St Roch, F-37230 Fondettes
Tel: (33) (0)2 47 62 64 66, Fax: (33) (0)2 47 42 12 24
contactfr@invacare.com / www.invacare.fr

Ireland:

Invacare Ireland Ltd, Unit 5 Seatown Business Campus, Seatown Road, Swords, County Dublin - Ireland
Tel: (353) 1 810 7084, Fax: (353) 1 810 7085
ireland@invacare.com / www.invacare.ie

Italia:

Invacare Mecc San s.r.l., Via dei Pini 62, I-36016 Thiene (VI)
Tel: (39) 0445 38 00 59, Fax: (39) 0445 38 00 34
italia@invacare.com / www.invacare.it

Nederland:

Invacare BV, Celsiusstraat 46, NL-6716 BZ Ede
Tel: (31) (0)318 695 757, Fax: (31) (0)318 695 758
nederland@invacare.com, csede@invacare.com / www.invacare.nl

Norge:

Invacare AS, Grensesvingen 9, Postboks 6230, Etterstad, N-0603 Oslo
Tel: (47) (0)22 57 95 00, Fax: (47) (0)22 57 95 01
norway@invacare.com, island@invacare.com / www.invacare.no

Österreich:

Invacare Austria GmbH, Herzog Odilostrasse 101, A-5310 Mondsee
Tel: (43) 6232 5535 0, Fax: (43) 6232 5535 4
info-austria@invacare.com / www.invacare.at

Portugal:

Invacare Lda, Rua Estrada Velha, 949, P-4465-784 Leça do Balio
Tel: (351) (0)225 1059 46/47, Fax: (351) (0)225 1057 39
portugal@invacare.com / www.invacare.pt

Sverige & Suomi:

Invacare AB, Fagerstagatan 9, S-163 91 Spånå
Tel: (46) (0)8 761 70 90, Fax: (46) (0)8 761 81 08
sweden@invacare.com, finland@invacare.com / www.invacare.se

Switzerland:

Invacare AG, Benkenstrasse 260, CH-4108 Witterswil
Tel: (41) (0)61 487 70 80, Fax: (41) (0)61 487 70 81
switzerland@invacare.com / www.invacare.ch

United Kingdom:

Invacare Limited, Pencoed Technology Park, Pencoed, Bridgend CF35 5AQ
Switchboard Tel: (44) (0)1656 776200, Fax: (44) (0)1656 776201
Customer services Tel: (44) (0)1656 776222, Fax: (44) (0)1656 776220
uk@invacare.com / www.invacare.co.uk