

# Spare Parts Catalogue

---

Version: 2014/12/31b NO



*küschall* **R33**



**Yes, you can.®**

## **General Information**

*For any order of spare parts the following information is required:*

- Product type*
- Product name & model*
- Serial Number*
- Part-Number*
- Part-Description*

*Exploded view drawings and code numbers are not contractual and subject to modification, in relation to Invacare® continuous product improvement policy to meet end users needs.*

*The reproduction or use of this work, or of any substantial part of this work, in any form or by any electronic, mechanical or other means, including photocopying, scanning and recording, and in any information storage and retrieval system, including electronic transmission, is forbidden without the prior written permission of Invacare® International Sarl.*



Yes, you can.®

## TABLE OF CONTENTS

---

### Informasjon

(Frame colours) .....	5
(CPS colours) .....	6

### Chassis

Chassis .....	7
(Frame 75°) .....	8
(Frame 90°) .....	12
(Centerpart) .....	16
(Axle tubes) .....	18

### Sete

Sete .....	19
(Seat module) .....	20
(Seat frame, cover standard =>31.12.2011) .....	22
(Seat frame, cover standard 01.01.2012=>) .....	25
(Seat frame, cover tension adjustable =>31.12.2011) .....	27
(Seat frame, cover tension adjustable 01.01.2012=>) .....	30
(Seat frame, cover light =>31.12.2011) .....	32
(Seat frame, cover light 01.01.2012=>) .....	35
(Seat cushion standard) .....	37
(Seat cushion Alcantara) .....	38

### Rygg

Rygg .....	42
(Backrest) .....	43
(Bands to adjustable backrest) .....	45
(Cover to adjustable backrest) .....	46
(Cover to adjustable backrest Alcantara) .....	48

### Fotplate

Fotplate .....	51
(Footrest standard) .....	52
(Footrest angle adjustable) .....	53
(Footrest mounted in high position) .....	54
(Calf strap) .....	55

### Armlen

Armlen .....	56
(Clothes-guards) .....	57
(Mudguards 01.11.2008=>) .....	58
(Siderest height adjustable 01.04.2008=>) .....	59

### Sving-og Drivhjul

Sving-og Drivhjul .....	60
(Front wheel supporter) .....	61
(Front wheels) .....	63



Yes, you can.®

## TABLE OF CONTENTS

---

### Drivhjul

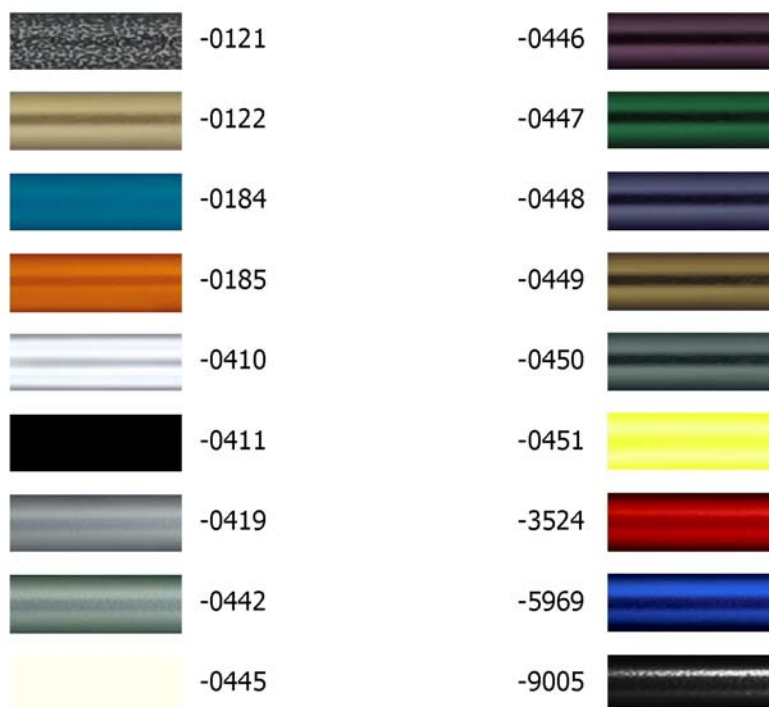
Drivhjul	65
(Küschall Starec wheels)	66
(High Performance wheel)	69
(Mountain bike wheel)	71
(Spinergy wheel)	72
(Spinergy L XK wheel)	73
(Ultra-light fibre wheel)	74
(Handrim)	75
(Fixation handrim)	76
(Tyre)	77
(Inner tube and rim protector)	78
(Spokes guard)	79
(Quick release axle and bearing)	80

### Bremser

Bremser	81
(Brakes)	82

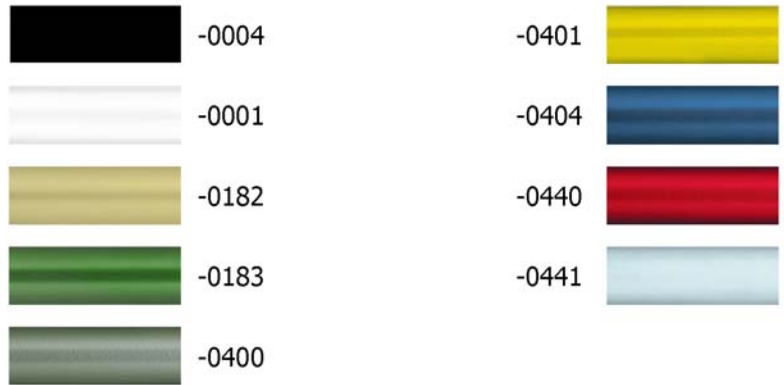
### Utstyr og tilbehør

Utstyr og tilbehør	83
(Antitipper)	84
(Chair accessories)	85
(Luggage holder)	86
(Winter accessories)	87
(Fixation: screws, ...)	88
(Socket head cap screws)	89
(Countersunk screws)	92
(Button head screws)	94
(Hex-head screws, diverse, ...)	96
(Washers)	98
(Nuts)	100
(Pins, rivets, ...)	102

**(Frame colours)**

-0121	-	(Color code for black-grey rustico frames)	01.01.2012 → 31.12.2014	0
-0122	-	(Color code for golden beach frames)	01.01.2013 → 31.12.2014	0
-0184	-	(Color code for mercury blue frames)	01.01.2015 →	0
-0185	-	(Color code for dynamite orange frames)	01.01.2015 →	0
-0410	-	(Color code for polished frames)		0
-0411	-	(Color code for black matt frames)	01.07.2010 →	0
-0419	-	(Color code for silver grey frames)		0
-0442	-	(Color code for night shimmer frames)		0
-0445	-	(Color code for ivory white frames)	01.01.2010 →	0
-0446	-	(Color code for purple fire frames)	01.01.2010 →	0
-0447	-	(Color code for emerald green frames)	01.01.2010 → 31.12.2012	0
-0448	-	(Color code for midnight blue frames)	01.01.2010 → 31.12.2012	0
-0449	-	(Color code for umber glaze frames)	01.01.2010 → 31.12.2014	0
-0450	-	(Color code for smokey grey frames)	01.01.2010 →	0
-0451	-	(Color code for flashy yellow frames)	01.07.2011 →	0
-3524	-	(Color code for royal red frames)		0
-5969	-	(Color code for royal blue frames)	01.07.2010 →	0
-9005	-	(Color code for glossy black frames)		0

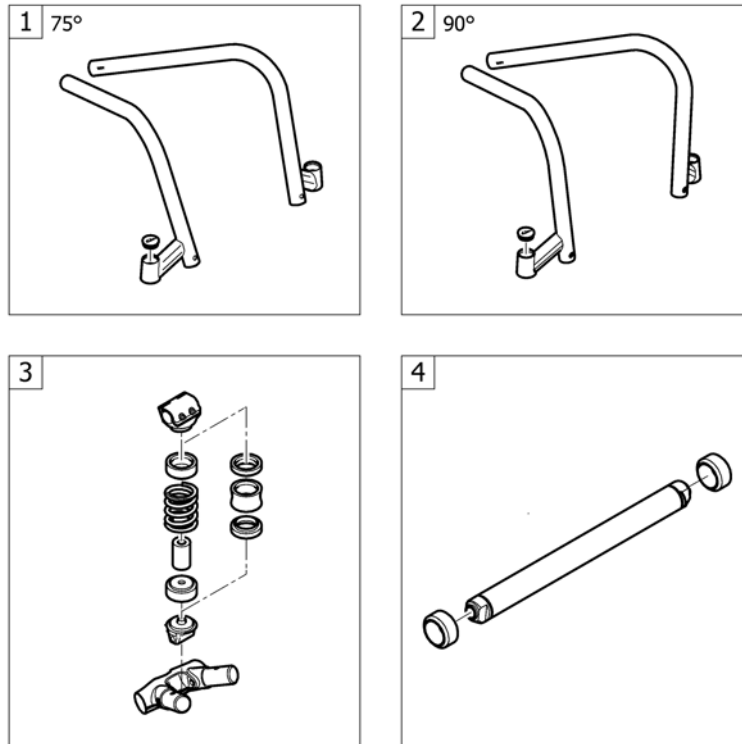
**(CPS colours)**




---

-0004	-	(Color code for black anodized CPS)		0
-0001	-	(Color code for chrome CPS)	01.07.2011 →	0
-0182	-	(Color code for champagne CPS)	01.01.2013 →	0
-0183	-	(Color code for olive CPS)	01.01.2013 →	0
-0400	-	(Color code for techno-anthrazit CPS)		0
-0401	-	(Color code for lemon CPS)	01.01.2007 → 31.12.2012	0
-0404	-	(Color code for b-blue CPS)		0
-0440	-	(Color code for comet red CPS)		0
-0441	-	(Color code for arctic blue CPS)		0

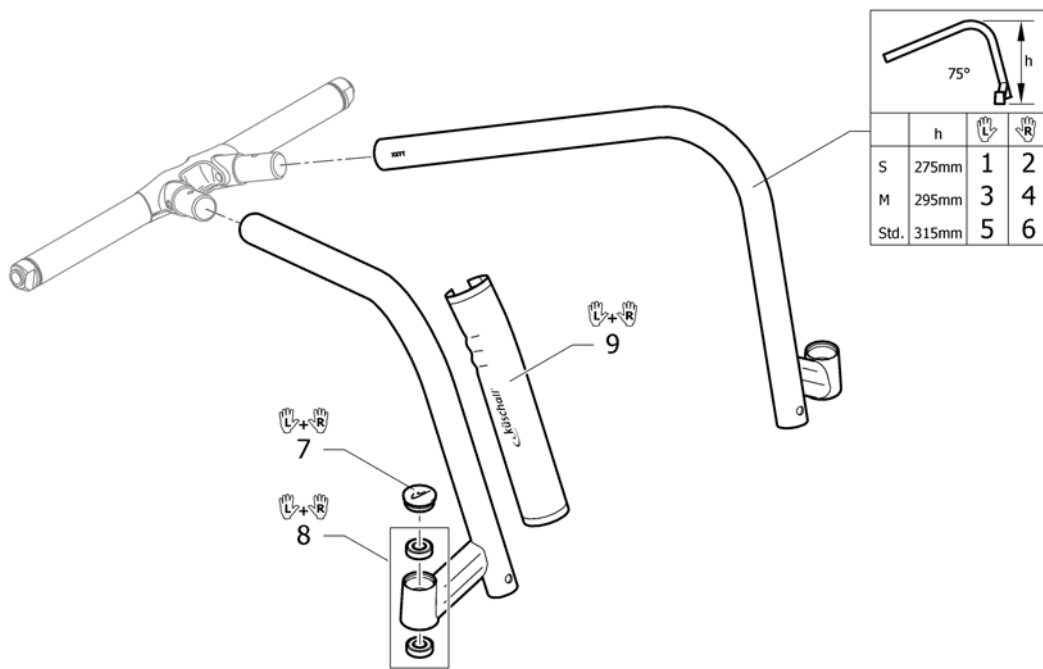
# Chassis




---

1	-	(Frame 75°)	1
2	-	(Frame 90°)	1
3	-	(Centerpart)	1
4	-	(Axle tubes)	1

# (Frame 75°)



1	1556745-0121	(Frame R33 short, left 75°, black-grey rustico)	01.01.2012 → 31.12.2014	1
1	1556745-0122	(Frame R33 short, left 75°, golden beach)	01.01.2013 → 31.12.2014	1
1	1556745-0184	(Frame R33 short, left 75°, mercury blue)	01.01.2015 →	1
1	1556745-0185	(Frame R33 short, left 75°, dynamite orange)	01.01.2015 →	1
1	1556745-0410	(Frame R33 short, left 75°, polished)	01.01.2012 →	1
1	1556745-0411	(Frame R33 short, left 75°, black matt)	01.01.2012 →	1
1	1556745-0419	(Frame R33 short, left 75°, silver grey)	01.01.2012 →	1
1	1556745-0442	(Frame R33 short, left 75°, night shimmer)	01.01.2012 →	1
1	1556745-0445	(Frame R33 short, left 75°, ivory white)	01.01.2012 →	1
1	1556745-0446	(Frame R33 short, left 75°, purple fire)	01.01.2012 →	1
1	1556745-0447	(Frame R33 short, left 75°, emerald green)	01.01.2012 → 31.12.2012	1
1	1556745-0448	(Frame R33 short, left 75°, midnight blue)	01.01.2012 → 31.12.2012	1
1	1556745-0449	(Frame R33 short, left 75°, umber glaze)	01.01.2012 → 31.12.2014	1
1	1556745-0450	(Frame R33 short, left 75°, smokey grey)	01.01.2012 →	1
1	1556745-0451	(Frame R33 short, left 75°, flashy yellow)	01.01.2012 →	1
1	1556745-3524	(Frame R33 short, left 75°, royal red)	01.01.2012 →	1
1	1556745-5969	(Frame R33 short, left 75°, royal blue)	01.01.2012 →	1
1	1556745-9005	(Frame R33 short, left 75°, glossy black)	01.01.2012 →	1
2	1556744-0121	(Frame R33 short, right 75°, black-grey rustico)	01.01.2012 → 31.12.2014	1
2	1556744-0122	(Frame R33 short, right 75°, golden beach)	01.01.2013 → 31.12.2014	1
2	1556744-0184	(Frame R33 short, right 75°, mercury blue)	01.01.2015 →	1
2	1556744-0185	(Frame R33 short, right 75°, dynamite orange)	01.01.2015 →	1
2	1556744-0410	(Frame R33 short, right 75°, polished)	01.01.2012 →	1
2	1556744-0411	(Frame R33 short, right 75°, black matt)	01.01.2012 →	1
2	1556744-0419	(Frame R33 short, right 75°, silver grey)	01.01.2012 →	1
2	1556744-0442	(Frame R33 short, right 75°, night shimmer)	01.01.2012 →	1



**(Frame 75°)**

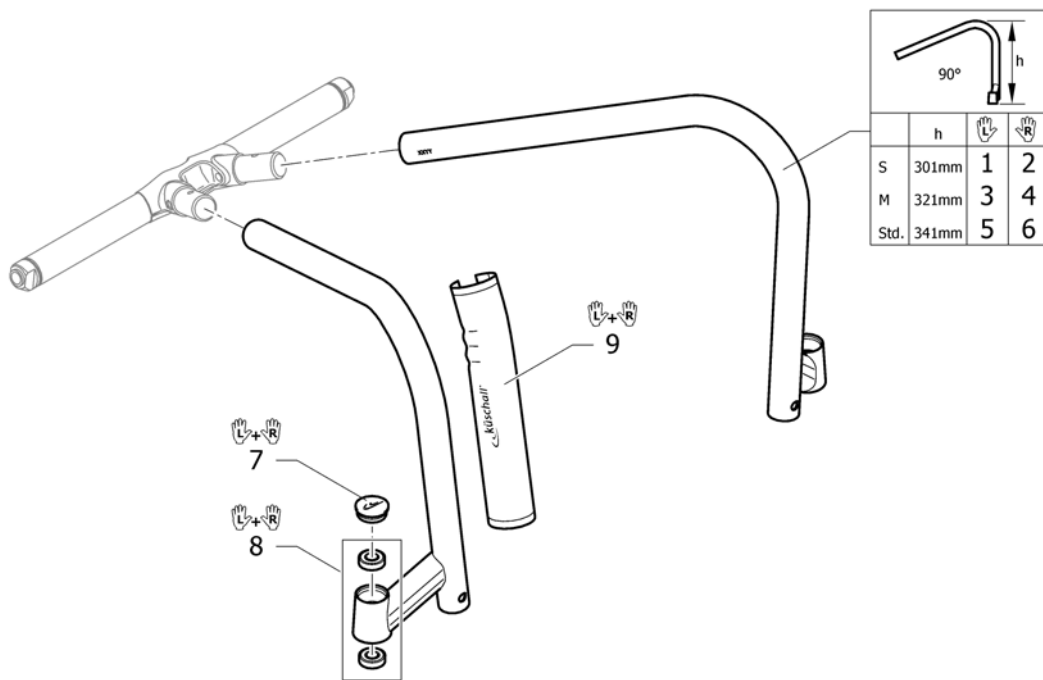
2	1556744-0445	(Frame R33 short, right 75°, ivory white)	01.01.2012 →	1
2	1556744-0446	(Frame R33 short, right 75°, purple fire)	01.01.2012 →	1
2	1556744-0447	(Frame R33 short, right 75°, emerald green)	01.01.2012 → 31.12.2012	1
2	1556744-0448	(Frame R33 short, right 75°, midnight blue)	01.01.2012 → 31.12.2012	1
2	1556744-0449	(Frame R33 short, right 75°, umber glaze)	01.01.2012 → 31.12.2014	1
2	1556744-0450	(Frame R33 short, right 75°, smokey grey)	01.01.2012 →	1
2	1556744-0451	(Frame R33 short, right 75°, flashy yellow)	01.01.2012 →	1
2	1556744-3524	(Frame R33 short, right 75°, royal red)	01.01.2012 →	1
2	1556744-5969	(Frame R33 short, right 75°, royal blue)	01.01.2012 →	1
2	1556744-9005	(Frame R33 short, right 75°, glossy black)	01.01.2012 →	1
3	1556743-0121	(Frame R33 medium, left 75°, black-grey rustico)	01.01.2012 → 31.12.2014	1
3	1556743-0122	(Frame R33 medium, left 75°, golden beach)	01.01.2013 → 31.12.2014	1
3	1556743-0184	(Frame R33 medium, left 75°, mercury blue)	01.01.2015 →	1
3	1556743-0185	(Frame R33 medium, left 75°, dynamite orange)	01.01.2015 →	1
3	1556743-0410	(Frame R33 medium, left 75°, polished)	01.01.2012 →	1
3	1556743-0411	(Frame R33 medium, left 75°, black matt)	01.01.2012 →	1
3	1556743-0419	(Frame R33 medium, left 75°, silver grey)	01.01.2012 →	1
3	1556743-0442	(Frame R33 medium, left 75°, night shimmer)	01.01.2012 →	1
3	1556743-0445	(Frame R33 medium, left 75°, ivory white)	01.01.2012 →	1
3	1556743-0446	(Frame R33 medium, left 75°, purple fire)	01.01.2012 →	1
3	1556743-0447	(Frame R33 medium, left 75°, emerald green)	01.01.2012 → 31.12.2012	1
3	1556743-0448	(Frame R33 medium, left 75°, midnight blue)	01.01.2012 → 31.12.2012	1
3	1556743-0449	(Frame R33 medium, left 75°, umber glaze)	01.01.2012 → 31.12.2014	1
3	1556743-0450	(Frame R33 medium, left 75°, smokey grey)	01.01.2012 →	1
3	1556743-0451	(Frame R33 medium, left 75°, flashy yellow)	01.01.2012 →	1
3	1556743-3524	(Frame R33 medium, left 75°, royal red)	01.01.2012 →	1
3	1556743-5969	(Frame R33 medium, left 75°, royal blue)	01.01.2012 →	1
3	1556743-9005	(Frame R33 medium, left 75°, glossy black)	01.01.2012 →	1
4	1556742-0121	(Frame R33 medium, right 75°, black-grey rustico)	01.01.2012 → 31.12.2014	1
4	1556742-0122	(Frame R33 medium, right 75°, golden beach)	01.01.2013 → 31.12.2014	1
4	1556742-0184	(Frame R33 medium, right 75°, mercury blue)	01.01.2015 →	1
4	1556742-0185	(Frame R33 medium, right 75°, dynamite orange)	01.01.2015 →	1
4	1556742-0410	(Frame R33 medium, right 75°, polished)	01.01.2012 →	1
4	1556742-0411	(Frame R33 medium, right 75°, black matt)	01.01.2012 →	1
4	1556742-0419	(Frame R33 medium, right 75°, silver grey)	01.01.2012 →	1
4	1556742-0442	(Frame R33 medium, right 75°, night shimmer)	01.01.2012 →	1
4	1556742-0445	(Frame R33 medium, right 75°, ivory white)	01.01.2012 →	1
4	1556742-0446	(Frame R33 medium, right 75°, purple fire)	01.01.2012 →	1
4	1556742-0447	(Frame R33 medium, right 75°, emerald green)	01.01.2012 → 31.12.2012	1
4	1556742-0448	(Frame R33 medium, right 75°, midnight blue)	01.01.2012 → 31.12.2012	1
4	1556742-0449	(Frame R33 medium, right 75°, umber glaze)	01.01.2012 → 31.12.2014	1
4	1556742-0450	(Frame R33 medium, right 75°, smokey grey)	01.01.2012 →	1
4	1556742-0451	(Frame R33 medium, right 75°, flashy yellow)	01.01.2012 →	1
4	1556742-3524	(Frame R33 medium, right 75°, royal red)	01.01.2012 →	1
4	1556742-5969	(Frame R33 medium, right 75°, royal blue)	01.01.2012 →	1

**(Frame 75°)**

4	1556742-9005	(Frame R33 medium, right 75°, glossy black)	01.01.2012 →	1
5	1498800-0121	(Frame R33 Std, left 75°, black-grey rustico)	01.01.2012 → 31.12.2014	1
5	1498800-0122	(Frame R33 Std, left 75°, golden beach)	01.01.2013 → 31.12.2014	1
5	1498800-0184	(Frame R33 Std, left 75°, mercury blue)	01.01.2015 →	1
5	1498800-0185	(Frame R33 Std, left 75°, dynamite orange)	01.01.2015 →	1
5	1498800-0410	RAMME R33 VE 75G POLERT KUSCHALL		1
5	1498800-0411	(Frame R33 Std, left 75°, black matt)	01.07.2010 →	1
5	1498800-0419	RAMME R33 VE 75G SØLVGRÅ KUSCHALL		1
5	1498800-0442	(Frame R33 Std, left 75°, night shimmer)		1
5	1498800-0445	(Frame R33 Std, left 75°, ivory white)	01.01.2010 →	1
5	1498800-0446	(Frame R33 Std, left 75°, purple fire)	01.01.2010 →	1
5	1498800-0447	(Frame R33 Std, left 75°, emerald green)	01.01.2010 → 31.12.2012	1
5	1498800-0448	(Frame R33 Std, left 75°, midnight blue)	01.01.2010 → 31.12.2012	1
5	1498800-0449	(Frame R33 Std, left 75°, umber glaze)	01.01.2010 → 31.12.2014	1
5	1498800-0450	(Frame R33 Std, left 75°, smokey grey)	01.01.2010 →	1
5	1498800-0451	(Frame R33 Std, left 75°, flashy yellow)	01.07.2011 →	1
5	1498800-3524	(Frame R33 Std, left 75°, royal red)		1
5	1498800-5969	(Frame R33 Std, left 75°, royal blue)	01.07.2010 →	1
5	1498800-9005	(Frame R33 Std, left 75°, glossy black)		1
6	1498799-0121	(Frame R33 Std, right 75°, black-grey rustico)	01.01.2012 → 31.12.2014	1
6	1498799-0122	(Frame R33 Std, right 75°, golden beach)	01.01.2013 → 31.12.2014	1
6	1498799-0184	(Frame R33 Std, right 75°, mercury blue)	01.01.2015 →	1
6	1498799-0185	(Frame R33 Std, right 75°, dynamite orange)	01.01.2015 →	1
6	1498799-0410	RAMME R33 HØ 75G POLERT KUSCHALL		1
6	1498799-0411	(Frame R33 Std, right 75°, black matt)	01.07.2010 →	1
6	1498799-0419	RAMME R33 HØ 75G SØLVGRÅ KUSCHALL		1
6	1498799-0442	(Frame R33 Std, right 75°, night shimmer)		1
6	1498799-0445	(Frame R33 Std, right 75°, ivory white)	01.01.2010 →	1
6	1498799-0446	(Frame R33 Std, right 75°, purple fire)	01.01.2010 →	1
6	1498799-0447	(Frame R33 Std, right 75°, emerald green)	01.01.2010 → 31.12.2012	1
6	1498799-0448	(Frame R33 Std, right 75°, midnight blue)	01.01.2010 → 31.12.2012	1
6	1498799-0449	(Frame R33 Std, right 75°, umber glaze)	01.01.2010 → 31.12.2014	1
6	1498799-0450	(Frame R33 Std, right 75°, smokey grey)	01.01.2010 →	1
6	1498799-0451	(Frame R33 Std, right 75°, flashy yellow)	01.07.2011 →	1
6	1498799-3524	(Frame R33 Std, right 75°, royal red)		1
6	1498799-5969	(Frame R33 Std, right 75°, royal blue)	01.07.2010 →	1
6	1498799-9005	(Frame R33 Std, right 75°, glossy black)		1
7	1487961-0004	STØVKAPPE GAFFELHUS SORT KUSCHALL K4 PAR		1
7	1487961-0001	(Bearing block cap pair, chrome)	01.07.2011 →	1
7	1487961-0182	(Bearing block cap pair, champagne)	01.01.2013 →	1
7	1487961-0183	(Bearing block cap pair, olive)	01.01.2013 →	1
7	1487961-0400	(Bearing block cap pair, techno-anthrazit)		1
7	1487961-0401	(Bearing block cap pair, lemon)	01.01.2007 → 31.12.2012	1
7	1487961-0404	STØVKAPPE GAFFELHUS BLÅ KUSCHALL K4 PAR		1
7	1487961-0440	(Bearing block cap pair, comet red)		1
7	1487961-0441	(Bearing block cap pair, arctic blue)		1
8	1451718	KULELAGER KO5 KUSCHALL		1



# (Frame 90°)



1	1556907-0121	(Frame R33 short, left 90°, black-grey rustico)	01.01.2012 → 31.12.2014	1
1	1556907-0122	(Frame R33 short, left 90°, golden beach)	01.01.2013 → 31.12.2014	1
1	1556907-0184	(Frame R33 short, left 90°, mercury blue)	01.01.2015 →	1
1	1556907-0185	(Frame R33 short, left 90°, dynamite orange)	01.01.2015 →	1
1	1556907-0410	(Frame R33 short, left 90°, polished)	01.01.2012 →	1
1	1556907-0411	(Frame R33 short, left 90°, black matt)	01.01.2012 →	1
1	1556907-0419	(Frame R33 short, left 90°, silver grey)	01.01.2012 →	1
1	1556907-0442	(Frame R33 short, left 90°, night shimmer)	01.01.2012 →	1
1	1556907-0445	(Frame R33 short, left 90°, ivory white)	01.01.2012 →	1
1	1556907-0446	(Frame R33 short, left 90°, purple fire)	01.01.2012 →	1
1	1556907-0447	(Frame R33 short, left 90°, emerald green)	01.01.2012 → 31.12.2012	1
1	1556907-0448	(Frame R33 short, left 90°, midnight blue)	01.01.2012 → 31.12.2012	1
1	1556907-0449	(Frame R33 short, left 90°, umber glaze)	01.01.2012 → 31.12.2014	1
1	1556907-0450	(Frame R33 short, left 90°, smokey grey)	01.01.2012 →	1
1	1556907-0451	(Frame R33 short, left 90°, flashy yellow)	01.01.2012 →	1
1	1556907-3524	(Frame R33 short, left 90°, royal red)	01.01.2012 →	1
1	1556907-5969	(Frame R33 short, left 90°, royal blue)	01.01.2012 →	1
1	1556907-9005	(Frame R33 short, left 90°, glossy black)	01.01.2012 →	1
2	1556906-0121	(Frame R33 short, right 90°, black-grey rustico)	01.01.2012 → 31.12.2014	1
2	1556906-0122	(Frame R33 short, right 90°, golden beach)	01.01.2013 → 31.12.2014	1
2	1556906-0184	(Frame R33 short, right 90°, mercury blue)	01.01.2015 →	1
2	1556906-0185	(Frame R33 short, right 90°, dynamite orange)	01.01.2015 →	1
2	1556906-0410	(Frame R33 short, right 90°, polished)	01.01.2012 →	1
2	1556906-0411	(Frame R33 short, right 90°, black matt)	01.01.2012 →	1
2	1556906-0419	(Frame R33 short, right 90°, silver grey)	01.01.2012 →	1
2	1556906-0442	(Frame R33 short, right 90°, night shimmer)	01.01.2012 →	1

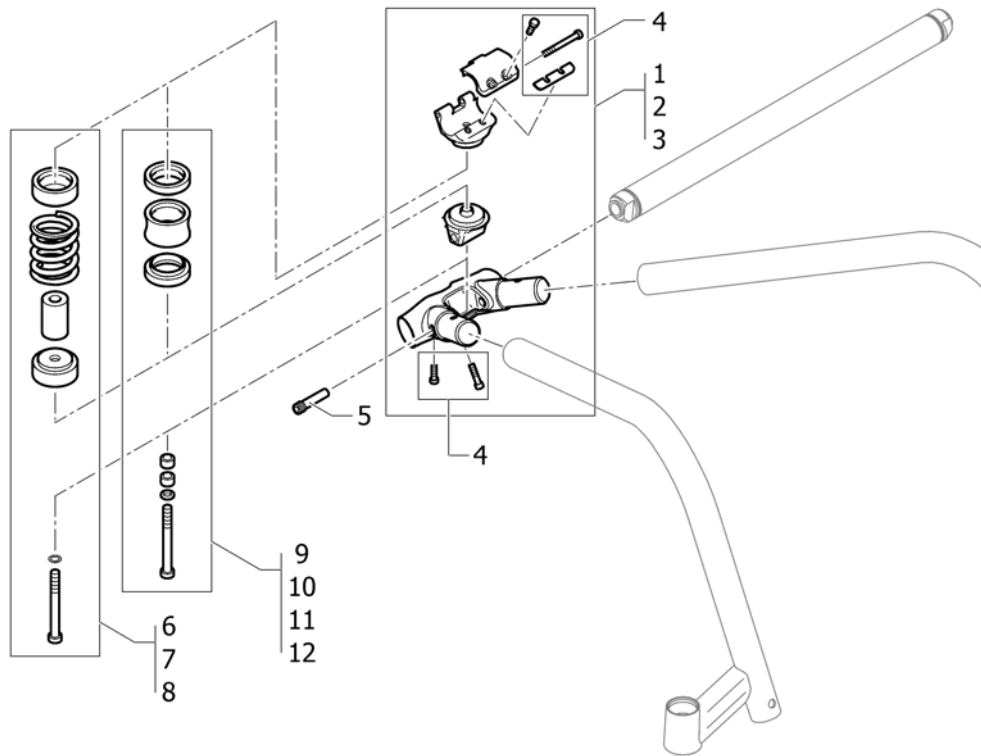
2	1556906-0445	(Frame R33 short, right 90°, ivory white)	01.01.2012 →	1
2	1556906-0446	(Frame R33 short, right 90°, purple fire)	01.01.2012 →	1
2	1556906-0447	(Frame R33 short, right 90°, emerald green)	01.01.2012 → 31.12.2012	1
2	1556906-0448	(Frame R33 short, right 90°, midnight blue)	01.01.2012 → 31.12.2012	1
2	1556906-0449	(Frame R33 short, right 90°, umber glaze)	01.01.2012 → 31.12.2014	1
2	1556906-0450	(Frame R33 short, right 90°, smokey grey)	01.01.2012 →	1
2	1556906-0451	(Frame R33 short, right 90°, flashy yellow)	01.01.2012 →	1
2	1556906-3524	(Frame R33 short, right 90°, royal red)	01.01.2012 →	1
2	1556906-5969	(Frame R33 short, right 90°, royal blue)	01.01.2012 →	1
2	1556906-9005	(Frame R33 short, right 90°, glossy black)	01.01.2012 →	1
3	1556747-0121	(Frame R33 medium, left 90°, black-grey rustico)	01.01.2012 → 31.12.2014	1
3	1556747-0122	(Frame R33 medium, left 90°, golden beach)	01.01.2013 → 31.12.2014	1
3	1556747-0184	(Frame R33 medium, left 90°, mercury blue)	01.01.2015 →	1
3	1556747-0185	(Frame R33 medium, left 90°, dynamite orange)	01.01.2015 →	1
3	1556747-0410	(Frame R33 medium, left 90°, polished)	01.01.2012 →	1
3	1556747-0411	(Frame R33 medium, left 90°, black matt)	01.01.2012 →	1
3	1556747-0419	(Frame R33 medium, left 90°, silver grey)	01.01.2012 →	1
3	1556747-0442	(Frame R33 medium, left 90°, night shimmer)	01.01.2012 →	1
3	1556747-0445	(Frame R33 medium, left 90°, ivory white)	01.01.2012 →	1
3	1556747-0446	(Frame R33 medium, left 90°, purple fire)	01.01.2012 →	1
3	1556747-0447	(Frame R33 medium, left 90°, emerald green)	01.01.2012 → 31.12.2012	1
3	1556747-0448	(Frame R33 medium, left 90°, midnight blue)	01.01.2012 → 31.12.2012	1
3	1556747-0449	(Frame R33 medium, left 90°, umber glaze)	01.01.2012 → 31.12.2014	1
3	1556747-0450	(Frame R33 medium, left 90°, smokey grey)	01.01.2012 →	1
3	1556747-0451	(Frame R33 medium, left 90°, flashy yellow)	01.01.2012 →	1
3	1556747-3524	(Frame R33 medium, left 90°, royal red)	01.01.2012 →	1
3	1556747-5969	(Frame R33 medium, left 90°, royal blue)	01.01.2012 →	1
3	1556747-9005	(Frame R33 medium, left 90°, glossy black)	01.01.2012 →	1
4	1556746-0121	(Frame R33 medium, right 90°, black-grey rustico)	01.01.2012 → 31.12.2014	1
4	1556746-0122	(Frame R33 medium, right 90°, golden beach)	01.01.2013 → 31.12.2014	1
4	1556746-0184	(Frame R33 medium, right 90°, mercury blue)	01.01.2015 →	1
4	1556746-0185	(Frame R33 medium, right 90°, dynamite orange)	01.01.2015 →	1
4	1556746-0410	(Frame R33 medium, right 90°, polished)	01.01.2012 →	1
4	1556746-0411	(Frame R33 medium, right 90°, black matt)	01.01.2012 →	1
4	1556746-0419	(Frame R33 medium, right 90°, silver grey)	01.01.2012 →	1
4	1556746-0442	(Frame R33 medium, right 90°, night shimmer)	01.01.2012 →	1
4	1556746-0445	(Frame R33 medium, right 90°, ivory white)	01.01.2012 →	1
4	1556746-0446	(Frame R33 medium, right 90°, purple fire)	01.01.2012 →	1
4	1556746-0447	(Frame R33 medium, right 90°, emerald green)	01.01.2012 → 31.12.2012	1
4	1556746-0448	(Frame R33 medium, right 90°, midnight blue)	01.01.2012 → 31.12.2012	1
4	1556746-0449	(Frame R33 medium, right 90°, umber glaze)	01.01.2012 → 31.12.2014	1
4	1556746-0450	(Frame R33 medium, right 90°, smokey grey)	01.01.2012 →	1
4	1556746-0451	(Frame R33 medium, right 90°, flashy yellow)	01.01.2012 →	1
4	1556746-3524	(Frame R33 medium, right 90°, royal red)	01.01.2012 →	1
4	1556746-5969	(Frame R33 medium, right 90°, royal blue)	01.01.2012 →	1

**(Frame 90°)**

4	1556746-9005	(Frame R33 medium, right 90°, glossy black)	01.01.2012 →	1
5	1498802-0121	(Frame R33 Std, left 90°, black-grey rustico)	01.01.2012 → 31.12.2014	1
5	1498802-0122	(Frame R33 Std, left 90°, golden beach)	01.01.2013 → 31.12.2014	1
5	1498802-0184	(Frame R33 Std, left 90°, mercury blue)	01.01.2015 →	1
5	1498802-0185	(Frame R33 Std, left 90°, dynamite orange)	01.01.2015 →	1
5	1498802-0410	(Frame R33 Std, left 90°, polished)		1
5	1498802-0411	(Frame R33 Std, left 90°, black matt)	01.07.2010 →	1
5	1498802-0419	(Frame R33 Std, left 90°, silver grey)		1
5	1498802-0442	(Frame R33 Std, left 90°, night shimmer)		1
5	1498802-0445	(Frame R33 Std, left 90°, ivory white)	01.01.2010 →	1
5	1498802-0446	(Frame R33 Std, left 90°, purple fire)	01.01.2010 →	1
5	1498802-0447	(Frame R33 Std, left 90°, emerald green)	01.01.2010 → 31.12.2012	1
5	1498802-0448	(Frame R33 Std, left 90°, midnight blue)	01.01.2010 → 31.12.2012	1
5	1498802-0449	(Frame R33 Std, left 90°, umber glaze)	01.01.2010 → 31.12.2014	1
5	1498802-0450	(Frame R33 Std, left 90°, smokey grey)	01.01.2010 →	1
5	1498802-0451	(Frame R33 Std, left 90°, flashy yellow)	01.07.2011 →	1
5	1498802-3524	(Frame R33 Std, left 90°, royal red)		1
5	1498802-5969	(Frame R33 Std, left 90°, royal blue)	01.07.2010 →	1
5	1498802-9005	RAMME R33 VE 90G GLOSSY BLACK KUSCHALL		1
6	1498801-0121	(Frame R33 Std, right 90°, black-grey rustico)	01.01.2012 → 31.12.2014	1
6	1498801-0122	(Frame R33 Std, right 90°, golden beach)	01.01.2013 → 31.12.2014	1
6	1498801-0184	(Frame R33 Std, right 90°, mercury blue)	01.01.2015 →	1
6	1498801-0185	(Frame R33 Std, right 90°, dynamite orange)	01.01.2015 →	1
6	1498801-0410	RAMME R33 HØ 90G POLERT KUSCHALL		1
6	1498801-0411	(Frame R33 Std, right 90°, black matt)	01.07.2010 →	1
6	1498801-0419	(Frame R33 Std, right 90°, silver grey)		1
6	1498801-0442	(Frame R33 Std, right 90°, night shimmer)		1
6	1498801-0445	(Frame R33 Std, right 90°, ivory white)	01.01.2010 →	1
6	1498801-0446	(Frame R33 Std, right 90°, purple fire)	01.01.2010 →	1
6	1498801-0447	(Frame R33 Std, right 90°, emerald green)	01.01.2010 → 31.12.2012	1
6	1498801-0448	(Frame R33 Std, right 90°, midnight blue)	01.01.2010 → 31.12.2012	1
6	1498801-0449	(Frame R33 Std, right 90°, umber glaze)	01.01.2010 → 31.12.2014	1
6	1498801-0450	(Frame R33 Std, right 90°, smokey grey)	01.01.2010 →	1
6	1498801-0451	(Frame R33 Std, right 90°, flashy yellow)	01.07.2011 →	1
6	1498801-3524	(Frame R33 Std, right 90°, royal red)		1
6	1498801-5969	(Frame R33 Std, right 90°, royal blue)	01.07.2010 →	1
6	1498801-9005	RAMME R33 HØ 90G GLOSSY BLACK KUSCHALL		1
7	1487961-0004	STØVKAPPE GAFFELHUS SORT KUSCHALL K4 PAR		1
7	1487961-0001	(Bearing block cap pair, chrome)	01.07.2011 →	1
7	1487961-0182	(Bearing block cap pair, champagne)	01.01.2013 →	1
7	1487961-0183	(Bearing block cap pair, olive)	01.01.2013 →	1
7	1487961-0400	(Bearing block cap pair, techno-anthrazit)		1
7	1487961-0401	(Bearing block cap pair, lemon)	01.01.2007 → 31.12.2012	1
7	1487961-0404	STØVKAPPE GAFFELHUS BLÅ KUSCHALL K4 PAR		1
7	1487961-0440	(Bearing block cap pair, comet red)		1
7	1487961-0441	(Bearing block cap pair, arctic blue)		1
8	1451718	KULELAGER KO5 KUSCHALL		1



**(Centerpart)**



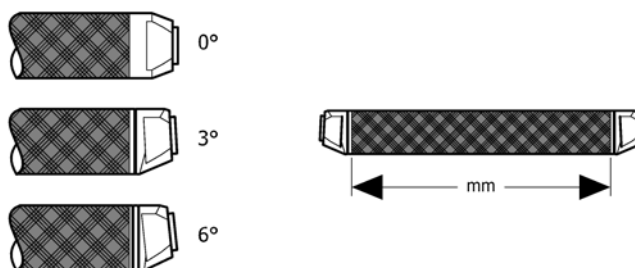
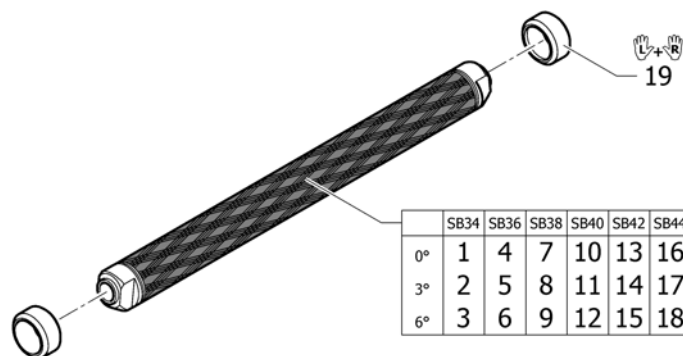
1	1504477-0001	(Centerpart kit SB34-SB36 chrome)	01.07.2011 →	1
1	1504477-0182	(Centerpart kit SB34-SB36 champagne)	01.01.2013 →	1
1	1504477-0183	(Centerpart kit SB34-SB36 olive)	01.01.2013 →	1
1	1504477-0400	(Centerpart kit SB34-SB36 techno)		1
1	1504477-0401	(Centerpart kit SB34-SB36 lemon)	01.01.2007 → 31.12.2012	1
1	1504477-0404	(Centerpart kit SB34-SB36 b-blue)		1
1	1504477-0440	(Centerpart kit SB34-SB36 comet red)		1
1	1504477-0441	(Centerpart kit SB34-SB36 arctic Blue)		1
2	1504478-0001	(Centerpart kit SB38-SB40 chrome)	01.07.2011 →	1
2	1504478-0182	(Centerpart kit SB38-SB40 champagne)	01.01.2013 →	1
2	1504478-0183	(Centerpart kit SB38-SB40 olive)	01.01.2013 →	1
2	1504478-0400	(Centerpart kit SB38-SB40 techno)		1
2	1504478-0401	(Centerpart kit SB38-SB40 lemon)	01.01.2007 → 31.12.2012	1
2	1504478-0404	(Centerpart kit SB38-SB40 b-blue)		1
2	1504478-0440	(Centerpart kit SB38-SB40 comet red)		1
2	1504478-0441	(Centerpart kit SB38-SB40 arctic Blue)		1
3	1504479-0001	(Centerpart kit SB42-SB44 chrome)	01.07.2011 →	1
3	1504479-0182	(Centerpart kit SB42-SB44 champagne)	01.01.2013 →	1
3	1504479-0183	(Centerpart kit SB42-SB44 olive)	01.01.2013 →	1
3	1504479-0400	(Centerpart kit SB42-SB44 techno)		1
3	1504479-0401	(Centerpart kit SB42-SB44 lemon)	01.01.2007 → 31.12.2012	1
3	1504479-0404	(Centerpart kit SB42-SB44 b-blue)		1
3	1504479-0440	(Centerpart kit SB42-SB44 comet red)		1
3	1504479-0441	(Centerpart kit SB42-SB44 arctic Blue)		1
4	1504520	(Fixation kit Centerpart)		1
5	1504521	(Pivot pin pair standard)		1
6	1504570	DEMPEMEK SETT > 70 KG R33 KUSCHALL		1
7	1504608	DEMPEMEK SETT 70-85 KG R33 KUSCHALL		1
8	1504609	DEMPEMEK SETT 85 < KG R33 KUSCHALL		1



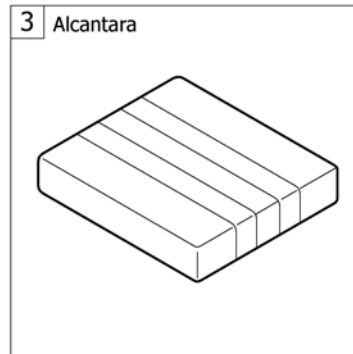
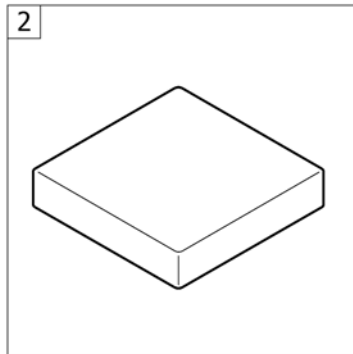
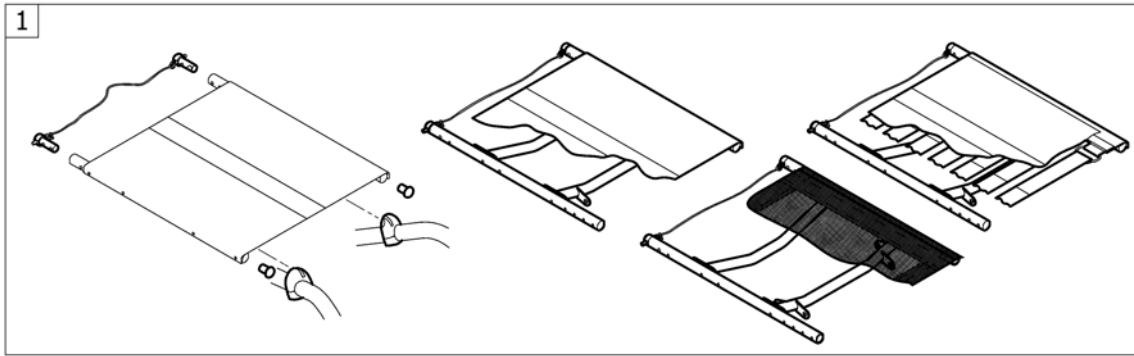
---

9	1504640	(Vertical Set for fixed seating, S)	1
10	1504641	(Vertical Set for fixed seating, M)	1
11	1504642	(Vertical Set for fixed seating, L)	1
12	1504643	(Vertical Set for fixed seating, XL)	1

# (Axle tubes)

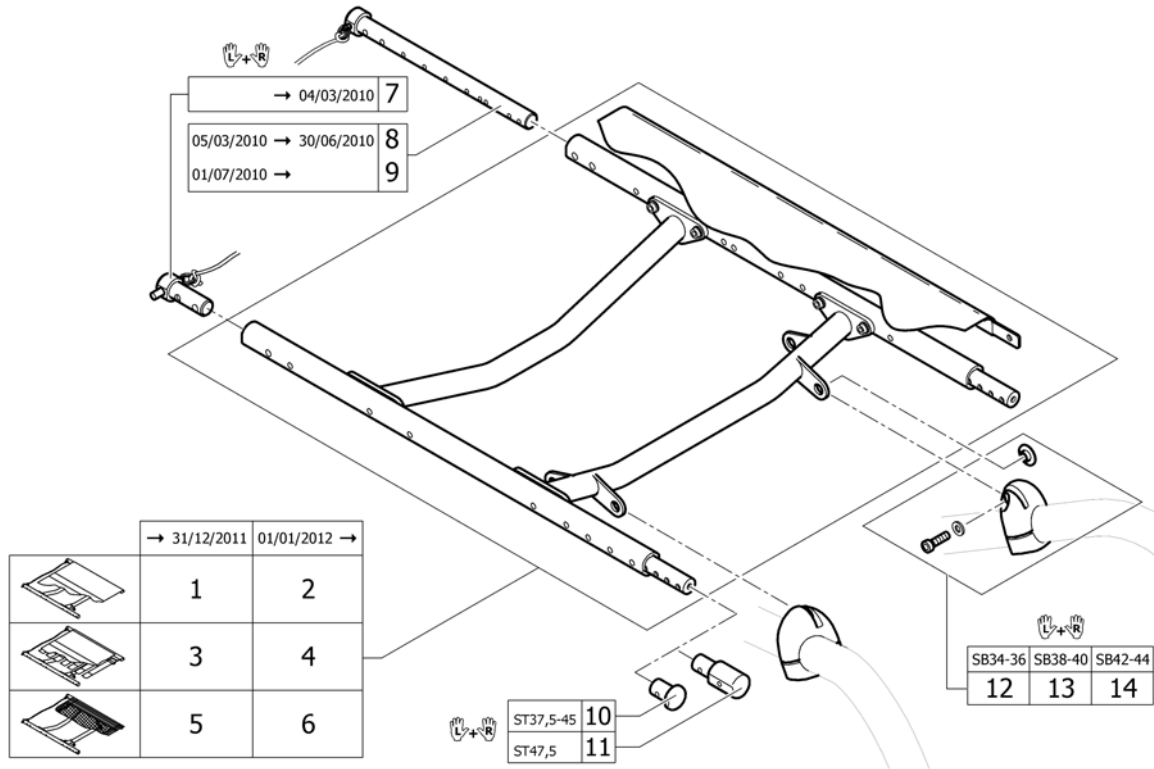


1	1504644	(Axle tube Carbon 0°/318mm)	1
2	1504645	(Axle tube Carbon 3°/344mm)	1
3	1504646	(Axle tube Carbon 6°/374mm)	1
4	1504647	(Axle tube Carbon 0°/338mm)	1
5	1504648	AKSLING KARBON R33 R33 364 MM	1
6	1504649	(Axle tube Carbon 6°/394mm)	1
7	1504650	(Axle tube Carbon 0°/358mm)	1
8	1504651	(Axle tube Carbon 3°/384mm)	1
9	1504652	(Axle tube Carbon 6°/414mm)	1
10	1504653	(Axle tube Carbon 0°/378mm)	1
11	1504654	AKSLINGSRRØR 3 GR 404MM CARBON R33	1
12	1504655	(Axle tube Carbon 6°/434mm)	1
13	1504656	(Axle tube Carbon 0°/398mm)	1
14	1504657	(Axle tube Carbon 3°/424mm)	1
15	1504658	(Axle tube Carbon 6°/454mm)	1
16	1504659	(Axle tube Carbon 0°/418mm)	1
17	1504660	(Axle tube Carbon 3°/444mm)	1
18	1504661	(Axle tube Carbon 6°/474mm)	1
19	1506094	(Axle rings, pair)	1



1	-	(Seat module)	1
2	-	(Seat cushion standard)	1
3	-	(Seat cushion Alcantara)	1

Küschall® R33 | Sete  
**(Seat module)**

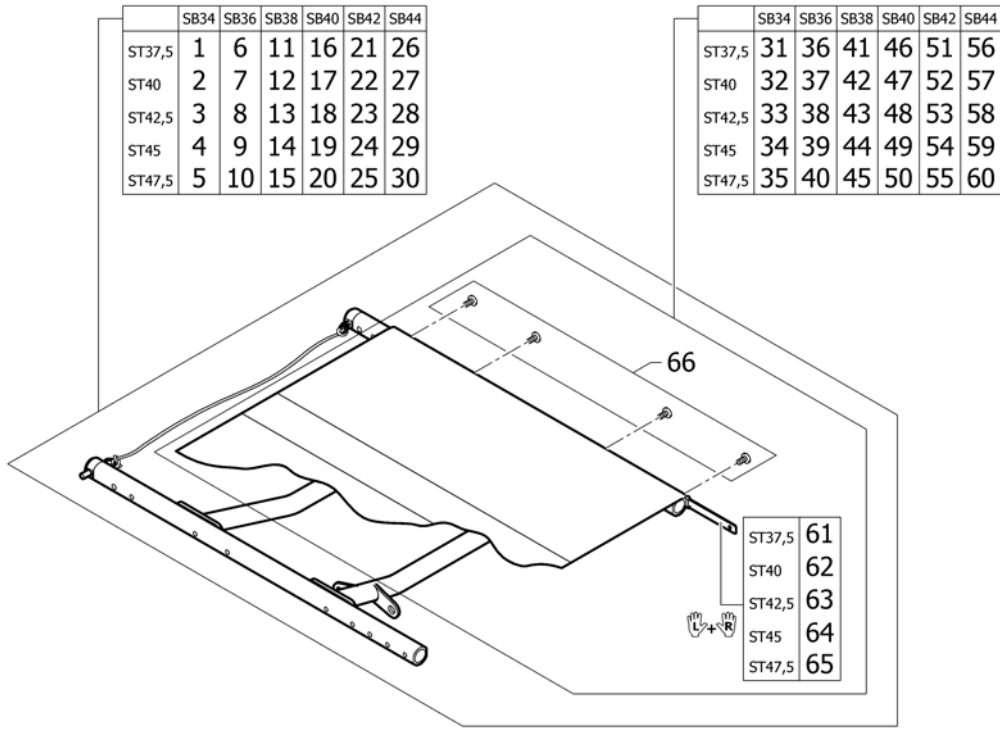


1	-	(Seat frame, cover standard =>31.12.2011)	01.01.2007 → 31.12.2011	1
2	-	(Seat frame, cover standard 01.01.2012=>)	01.01.2012 →	1
3	-	(Seat frame, cover tension adjustable =>31.12.2011)	01.01.2007 → 31.12.2011	1
4	-	(Seat frame, cover tension adjustable 01.01.2012=>)	01.01.2012 →	1
5	-	(Seat frame, cover light =>31.12.2011)	01.07.2011 → 31.12.2011	1
6	-	(Seat frame, cover light 01.01.2012=>)	01.01.2012 →	1
7	1486540	UTLØSERTAPP M SNOR K4 2005-MODELL->31.01.2010	01.01.2007 → 04.03.2010	1
8	1536256	(Backrest-Bolt long Set)	05.03.2010 → 30.06.2010	1
9	1536255	RYGGBOLT LANG K4 KUSCHALL	01.07.2010 →	1
10	1486539-0004	PLASTPLUGG SETERAMME FRONT K-SERIEN		1
10	1486539-0001	(Seatmodule plug, pair, chrome)	01.07.2011 →	1
10	1486539-0182	(Seatmodule plug, pair, champagne)	01.01.2013 →	1
10	1486539-0183	(Seatmodule plug, pair, olive)	01.01.2013 →	1
10	1486539-0400	(Seatmodule plug, pair, techno-anthrazit)		1
10	1486539-0401	(Seatmodule plug, pair, lemon)	01.01.2007 → 31.12.2012	1
10	1486539-0404	PLASTPLUGG SETERAMME FRONT K-SERIEN BLÅ		1
10	1486539-0440	(Seatmodule plug, pair, comet red)		1
10	1486539-0441	(Seatmodule plug, pair, arctic blue)		1
11	1485738-0004	(Seat extension, pair, black)	01.07.2010 → 31.12.2013	1
11	1485738-0001	(Seat extension, pair, chrome)	01.07.2011 → 31.12.2013	1
11	1485738-0182	(Seat extension, pair, champagne)	01.01.2013 → 31.12.2013	1
11	1485738-0183	(Seat extension, pair, olive)	01.01.2013 → 31.12.2013	1
11	1485738-0400	(Seat extension, pair, techno-anthracit)	01.07.2010 → 31.12.2013	1

---

11	1485738-0404	(Seat extension, pair, b-blue)	01.07.2010 → 31.12.2013	1
11	1485738-0440	SETEFORLENGER K-JUNIOR COMET RED	01.07.2010 → 31.12.2013	1
11	1485738-0441	(Seat extension, pair, arctic blue)	01.07.2010 → 31.12.2013	1
12	1504663	(Fixation part seat-to-frame front, pair, SB34/36)		1
13	1504664	(Fixation part seat-to-frame front, pair, SB38/40)		1
14	1504665	(Fixation part seat-to-frame front, pair, SB42/44)		1

**(Seat frame, cover standard =>31.12.2011)**



1	1504666	(Seat module complete, cover standard SB34 ST37,5)	01.01.2007 → 31.12.2011	1
2	1504667	(Seat module complete, cover standard SB34 ST40)	01.01.2007 → 31.12.2011	1
3	1504668	(Seat module complete, cover standard SB34 ST42,5)	01.01.2007 → 31.12.2011	1
4	1504669	(Seat module complete, cover standard SB34 ST45)	01.01.2007 → 31.12.2011	1
5	1542641	(Seat module complete, cover standard SB34 ST47,5)	01.07.2010 → 31.12.2011	1
6	1504670	(Seat module complete, cover standard SB36 ST37,5)	01.01.2007 → 31.12.2011	1
7	1504671	(Seat module complete, cover standard SB36 ST40)	01.01.2007 → 31.12.2011	1
8	1504672	(Seat module complete, cover standard SB36 ST42,5)	01.01.2007 → 31.12.2011	1
9	1504673	(Seat module complete, cover standard SB36 ST45)	01.01.2007 → 31.12.2011	1
10	1542642	(Seat module complete, cover standard SB36 ST47,5)	01.07.2010 → 31.12.2011	1
11	1504674	(Seat module complete, cover standard SB38 ST37,5)	01.01.2007 → 31.12.2011	1
12	1504675	(Seat module complete, cover standard SB38 ST40)	01.01.2007 → 31.12.2011	1
13	1504676	(Seat module complete, cover standard SB38 ST42,5)	01.01.2007 → 31.12.2011	1
14	1504677	(Seat module complete, cover standard SB38 ST45)	01.01.2007 → 31.12.2011	1
15	1542643	(Seat module complete, cover standard SB38 ST47,5)	01.07.2010 → 31.12.2011	1
16	1504678	(Seat module complete, cover standard SB40 ST37,5)	01.01.2007 → 31.12.2011	1
17	1504679	(Seat module complete, cover standard SB40 ST40)	01.01.2007 → 31.12.2011	1
18	1504680	(Seat module complete, cover standard SB40 ST42,5)	01.01.2007 → 31.12.2011	1

**(Seat frame, cover standard =>31.12.2011)**

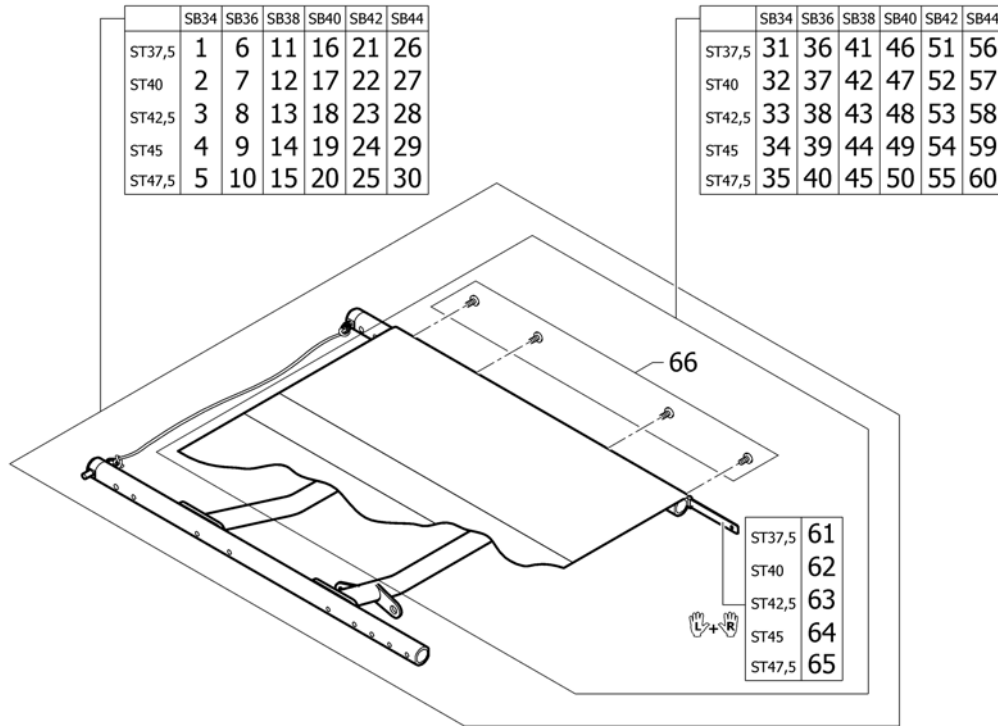
19	1504681	(Seat module complete, cover standard SB40 ST45)	01.01.2007 → 31.12.2011	1
20	1542644	(Seat module complete, cover standard SB40 ST47,5)	01.07.2010 → 31.12.2011	1
21	1504682	(Seat module complete, cover standard SB42 ST37,5)	01.01.2007 → 31.12.2011	1
22	1504683	(Seat module complete, cover standard SB42 ST40)	01.01.2007 → 31.12.2011	1
23	1504684	(Seat module complete, cover standard SB42 ST42,5)	01.01.2007 → 31.12.2011	1
24	1504685	(Seat module complete, cover standard SB42 ST45)	01.01.2007 → 31.12.2011	1
25	1542645	(Seat module complete, cover standard SB42 ST47,5)	01.07.2010 → 31.12.2011	1
26	1504686	(Seat module complete, cover standard SB44 ST37,5)	01.01.2007 → 31.12.2011	1
27	1504687	(Seat module complete, cover standard SB44 ST40)	01.01.2007 → 31.12.2011	1
28	1504688	(Seat module complete, cover standard SB44 ST42,5)	01.01.2007 → 31.12.2011	1
29	1504710	(Seat module complete, cover standard SB44 ST45)	01.01.2007 → 31.12.2011	1
30	1542646	(Seat module complete, cover standard SB44 ST47,5)	01.07.2010 → 31.12.2011	1
31	1505103	(Seat cover standard, kit complete, SB34 ST37,5)	01.01.2007 → 31.12.2011	1
32	1505104	(Seat cover standard, kit complete, SB34 ST40)	01.01.2007 → 31.12.2011	1
33	1505105	(Seat cover standard, kit complete, SB34 ST42,5)	01.01.2007 → 31.12.2011	1
34	1505106	(Seat cover standard, kit complete, SB34 ST45)	01.01.2007 → 31.12.2011	1
35	1542647	(Seat cover standard, kit complete, SB34 ST47,5)	01.07.2010 → 31.12.2011	1
36	1505107	(Seat cover standard, kit complete, SB36 ST37,5)	01.01.2007 → 31.12.2011	1
37	1505108	(Seat cover standard, kit complete, SB36 ST40)	01.01.2007 → 31.12.2011	1
38	1505109	(Seat cover standard, kit complete, SB36 ST42,5)	01.01.2007 → 31.12.2011	1
39	1505110	(Seat cover standard, kit complete, SB36 ST45)	01.01.2007 → 31.12.2011	1
40	1542648	(Seat cover standard, kit complete, SB36 ST47,5)	01.07.2010 → 31.12.2011	1
41	1505111	(Seat cover standard, kit complete, SB38 ST37,5)	01.01.2007 → 31.12.2011	1
42	1505112	SETETREKK STD 38X40 R33	01.01.2007 → 31.12.2011	1
43	1505113	(Seat cover standard, kit complete, SB38 ST42,5)	01.01.2007 → 31.12.2011	1
44	1505114	(Seat cover standard, kit complete, SB38 ST45)	01.01.2007 → 31.12.2011	1
45	1542649	(Seat cover standard, kit complete, SB38 ST47,5)	01.07.2010 → 31.12.2011	1
46	1505115	(Seat cover standard, kit complete, SB40 ST37,5)	01.01.2007 → 31.12.2011	1
47	1505116	(Seat cover standard, kit complete, SB40 ST40)	01.01.2007 → 31.12.2011	1
48	1505117	(Seat cover standard, kit complete, SB40 ST42,5)	01.01.2007 → 31.12.2011	1
49	1505118	(Seat cover standard, kit complete, SB40 ST45)	01.01.2007 → 31.12.2011	1

**(Seat frame, cover standard =>31.12.2011)**

50	1542650	(Seat cover standard, kit complete, SB40 ST47,5)	01.07.2010 → 31.12.2011	1
51	1505119	(Seat cover standard, kit complete, SB42 ST37,5)	01.01.2007 → 31.12.2011	1
52	1505120	(Seat cover standard, kit complete, SB42 ST40)	01.01.2007 → 31.12.2011	1
53	1505121	(Seat cover standard, kit complete, SB42 ST42,5)	01.01.2007 → 31.12.2011	1
54	1505122	(Seat cover standard, kit complete, SB42 ST45)	01.01.2007 → 31.12.2011	1
55	1542651	(Seat cover standard, kit complete, SB42 ST47,5)	01.07.2010 → 31.12.2011	1
56	1505123	(Seat cover standard, kit complete, SB44 ST37,5)	01.01.2007 → 31.12.2011	1
57	1505124	(Seat cover standard, kit complete, SB44 ST40)	01.01.2007 → 31.12.2011	1
58	1505125	(Seat cover standard, kit complete, SB44 ST42,5)	01.01.2007 → 31.12.2011	1
59	1505126	(Seat cover standard, kit complete, SB44 ST45)	01.01.2007 → 31.12.2011	1
60	1542652	(Seat cover standard, kit complete, SB44 ST47,5)	01.07.2010 → 31.12.2011	1
61	1579366	(Seat rail kit SD37,5, pair)	01.01.2007 → 31.12.2011	1
62	1579367	(Seat rail kit SD40, pair)	01.01.2007 → 31.12.2011	1
63	1579368	(Seat rail kit SD42,5, pair)	01.01.2007 → 31.12.2011	1
64	1579369	(Seat rail kit SD45, pair)	01.01.2007 → 31.12.2011	1
65	1579370	(Seat rail kit SD47,5, pair)	01.07.2010 → 31.12.2011	1
66	1579375	(Fixation kit seat cover)	01.01.2007 → 31.12.2011	1



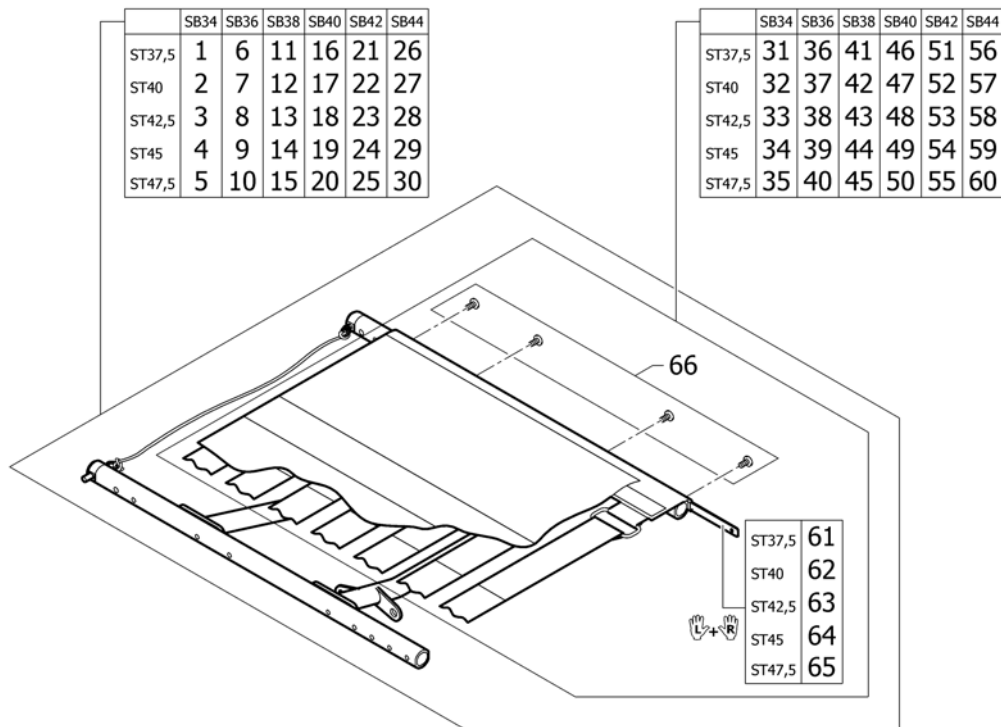
**(Seat frame, cover standard 01.01.2012=>)**



1	1579380	(Seat module complete, cover standard SB34 ST37,5)		1
2	1579381	(Seat module complete, cover standard SB34 ST40)		1
3	1579382	(Seat module complete, cover standard SB34 ST42,5)		1
4	1579383	(Seat module complete, cover standard SB34 ST45)		1
5	1579384	(Seat module complete, cover standard SB34 ST47,5)	01.01.2012 → 31.12.2013	1
6	1579385	(Seat module complete, cover standard SB36 ST37,5)		1
7	1579386	(Seat module complete, cover standard SB36 ST40)		1
8	1579387	(Seat module complete, cover standard SB36 ST42,5)		1
9	1579388	(Seat module complete, cover standard SB36 ST45)		1
10	1579389	(Seat module complete, cover standard SB36 ST47,5)	01.01.2012 → 31.12.2013	1
11	1579390	(Seat module complete, cover standard SB38 ST37,5)		1
12	1579391	(Seat module complete, cover standard SB38 ST40)		1
13	1579392	(Seat module complete, cover standard SB38 ST42,5)		1
14	1579393	(Seat module complete, cover standard SB38 ST45)		1
15	1579394	(Seat module complete, cover standard SB38 ST47,5)	01.01.2012 → 31.12.2013	1
16	1579395	(Seat module complete, cover standard SB40 ST37,5)		1
17	1579396	(Seat module complete, cover standard SB40 ST40)		1
18	1579397	(Seat module complete, cover standard SB40 ST42,5)		1
19	1579398	(Seat module complete, cover standard SB40 ST45)		1
20	1579399	(Seat module complete, cover standard SB40 ST47,5)	01.01.2012 → 31.12.2013	1
21	1579400	(Seat module complete, cover standard SB42 ST37,5)		1
22	1579401	(Seat module complete, cover standard SB42 ST40)		1
23	1579402	(Seat module complete, cover standard SB42 ST42,5)		1
24	1579403	(Seat module complete, cover standard SB42 ST45)		1
25	1579404	(Seat module complete, cover standard SB42 ST47,5)	01.01.2012 → 31.12.2013	1
26	1579405	(Seat module complete, cover standard SB44 ST37,5)		1
27	1579406	(Seat module complete, cover standard SB44 ST40)		1
28	1579407	(Seat module complete, cover standard SB44 ST42,5)		1

**(Seat frame, cover standard 01.01.2012=>)**

29	1579408	(Seat module complete, cover standard SB44 ST45)		1
30	1579409	(Seat module complete, cover standard SB44 ST47,5)	01.01.2012 → 31.12.2013	1
31	1505103	(Seat cover standard, kit complete, SB34 ST37,5)		1
32	1505104	(Seat cover standard, kit complete, SB34 ST40)		1
33	1505105	(Seat cover standard, kit complete, SB34 ST42,5)		1
34	1505106	(Seat cover standard, kit complete, SB34 ST45)		1
35	1542647	(Seat cover standard, kit complete, SB34 ST47,5)	01.01.2012 → 31.12.2013	1
36	1505107	(Seat cover standard, kit complete, SB36 ST37,5)		1
37	1505108	(Seat cover standard, kit complete, SB36 ST40)		1
38	1505109	(Seat cover standard, kit complete, SB36 ST42,5)		1
39	1505110	(Seat cover standard, kit complete, SB36 ST45)		1
40	1542648	(Seat cover standard, kit complete, SB36 ST47,5)	01.01.2012 → 31.12.2013	1
41	1505111	(Seat cover standard, kit complete, SB38 ST37,5)		1
42	1505112	SETETREKK STD 38X40 R33		1
43	1505113	(Seat cover standard, kit complete, SB38 ST42,5)		1
44	1505114	(Seat cover standard, kit complete, SB38 ST45)		1
45	1542649	(Seat cover standard, kit complete, SB38 ST47,5)	01.01.2012 → 31.12.2013	1
46	1505115	(Seat cover standard, kit complete, SB40 ST37,5)		1
47	1505116	(Seat cover standard, kit complete, SB40 ST40)		1
48	1505117	(Seat cover standard, kit complete, SB40 ST42,5)		1
49	1505118	(Seat cover standard, kit complete, SB40 ST45)		1
50	1542650	(Seat cover standard, kit complete, SB40 ST47,5)	01.01.2012 → 31.12.2013	1
51	1505119	(Seat cover standard, kit complete, SB42 ST37,5)		1
52	1505120	(Seat cover standard, kit complete, SB42 ST40)		1
53	1505121	(Seat cover standard, kit complete, SB42 ST42,5)		1
54	1505122	(Seat cover standard, kit complete, SB42 ST45)		1
55	1542651	(Seat cover standard, kit complete, SB42 ST47,5)	01.01.2012 → 31.12.2013	1
56	1505123	(Seat cover standard, kit complete, SB44 ST37,5)		1
57	1505124	(Seat cover standard, kit complete, SB44 ST40)		1
58	1505125	(Seat cover standard, kit complete, SB44 ST42,5)		1
59	1505126	(Seat cover standard, kit complete, SB44 ST45)		1
60	1542652	(Seat cover standard, kit complete, SB44 ST47,5)	01.01.2012 → 31.12.2013	1
61	1579366	(Seat rail kit SD37,5, pair)		1
62	1579367	(Seat rail kit SD40, pair)		1
63	1579368	(Seat rail kit SD42,5, pair)		1
64	1579369	(Seat rail kit SD45, pair)		1
65	1579370	(Seat rail kit SD47,5, pair)	01.01.2012 → 31.12.2013	1
66	1579375	(Fixation kit seat cover)		1

**(Seat frame, cover tension adjustable =>31.12.2011)**

1	1504711	(Seat module complete, cover tension adjustable SB34 ST37,5)	01.01.2007 → 31.12.2011	1
2	1504712	(Seat module complete, cover tension adjustable SB34 ST40)	01.01.2007 → 31.12.2011	1
3	1504713	(Seat module complete, cover tension adjustable SB34 ST42,5)	01.01.2007 → 31.12.2011	1
4	1504714	(Seat module complete, cover tension adjustable SB34 ST45)	01.01.2007 → 31.12.2011	1
5	1542659	(Seat module complete, cover tension adjustable SB34 ST47,5)	01.07.2010 → 31.12.2011	1
6	1504978	(Seat module complete, cover tension adjustable SB36 ST37,5)	01.01.2007 → 31.12.2011	1
7	1504979	(Seat module complete, cover tension adjustable SB36 ST40)	01.01.2007 → 31.12.2011	1
8	1504980	(Seat module complete, cover tension adjustable SB36 ST42,5)	01.01.2007 → 31.12.2011	1
9	1504981	(Seat module complete, cover tension adjustable SB36 ST45)	01.01.2007 → 31.12.2011	1
10	1542660	(Seat module complete, cover tension adjustable SB36 ST47,5)	01.07.2010 → 31.12.2011	1
11	1505042	(Seat module complete, cover tension adjustable SB38 ST37,5)	01.01.2007 → 31.12.2011	1
12	1505043	(Seat module complete, cover tension adjustable SB38 ST40)	01.01.2007 → 31.12.2011	1
13	1505044	(Seat module complete, cover tension adjustable SB38 ST42,5)	01.01.2007 → 31.12.2011	1
14	1505045	(Seat module complete, cover tension adjustable SB38 ST45)	01.01.2007 → 31.12.2011	1
15	1542661	(Seat module complete, cover tension adjustable SB38 ST47,5)	01.07.2010 → 31.12.2011	1
16	1505091	(Seat module complete, cover tension adjustable SB40 ST37,5)	01.01.2007 → 31.12.2011	1
17	1505092	(Seat module complete, cover tension adjustable SB40 ST40)	01.01.2007 → 31.12.2011	1
18	1505093	(Seat module complete, cover tension adjustable SB40 ST42,5)	01.01.2007 → 31.12.2011	1

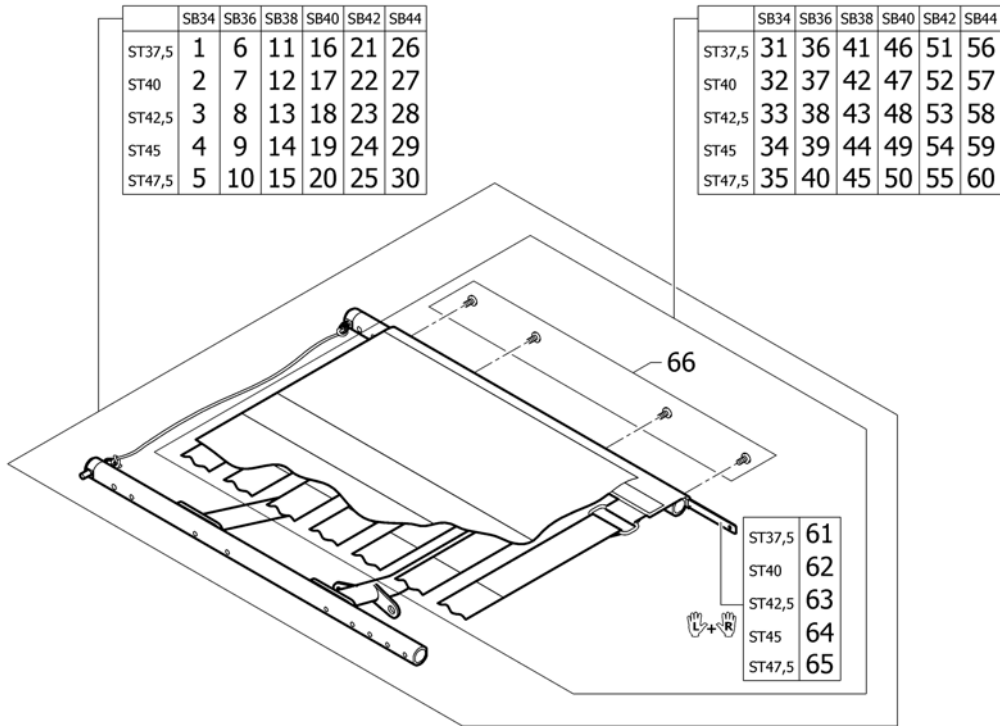
**(Seat frame, cover tension adjustable =>31.12.2011)**

19	1505094	(Seat module complete, cover tension adjustable SB40 ST45)	01.01.2007 → 31.12.2011	1
20	1542662	(Seat module complete, cover tension adjustable SB40 ST47,5)	01.07.2010 → 31.12.2011	1
21	1505095	(Seat module complete, cover tension adjustable SB42 ST37,5)	01.01.2007 → 31.12.2011	1
22	1505096	(Seat module complete, cover tension adjustable SB42 ST40)	01.01.2007 → 31.12.2011	1
23	1505097	(Seat module complete, cover tension adjustable SB42 ST42,5)	01.01.2007 → 31.12.2011	1
24	1505098	(Seat module complete, cover tension adjustable SB42 ST45)	01.01.2007 → 31.12.2011	1
25	1542663	(Seat module complete, cover tension adjustable SB42 ST47,5)	01.07.2010 → 31.12.2011	1
26	1505099	(Seat module complete, cover tension adjustable SB44 ST37,5)	01.01.2007 → 31.12.2011	1
27	1505100	(Seat module complete, cover tension adjustable SB44 ST40)	01.01.2007 → 31.12.2011	1
28	1505101	(Seat module complete, cover tension adjustable SB44 ST42,5)	01.01.2007 → 31.12.2011	1
29	1505102	(Seat module complete, cover tension adjustable SB44 ST45)	01.01.2007 → 31.12.2011	1
30	1542664	(Seat module complete, cover tension adjustable SB44 ST47,5)	01.07.2010 → 31.12.2011	1
31	1505127	(Seat cover tension adjustable, kit complete, SB34 ST37,5)	01.01.2007 → 31.12.2011	1
32	1505128	(Seat cover tension adjustable, kit complete, SB34 ST40)	01.01.2007 → 31.12.2011	1
33	1505129	(Seat cover tension adjustable, kit complete, SB34 ST42,5)	01.01.2007 → 31.12.2011	1
34	1505130	(Seat cover tension adjustable, kit complete, SB34 ST45)	01.01.2007 → 31.12.2011	1
35	1542653	(Seat cover tension adjustable, kit complete, SB34 ST47,5)	01.07.2010 → 31.12.2011	1
36	1505131	(Seat cover tension adjustable, kit complete, SB36 ST37,5)	01.01.2007 → 31.12.2011	1
37	1505132	(Seat cover tension adjustable, kit complete, SB36 ST40)	01.01.2007 → 31.12.2011	1
38	1505133	(Seat cover tension adjustable, kit complete, SB36 ST42,5)	01.01.2007 → 31.12.2011	1
39	1505134	(Seat cover tension adjustable, kit complete, SB36 ST45)	01.01.2007 → 31.12.2011	1
40	1542654	(Seat cover tension adjustable, kit complete, SB36 ST47,5)	01.07.2010 → 31.12.2011	1
41	1505322	(Seat cover tension adjustable, kit complete, SB38 ST37,5)	01.01.2007 → 31.12.2011	1
42	1505323	(Seat cover tension adjustable, kit complete, SB38 ST40)	01.01.2007 → 31.12.2011	1
43	1505324	(Seat cover tension adjustable, kit complete, SB38 ST42,5)	01.01.2007 → 31.12.2011	1
44	1505325	(Seat cover tension adjustable, kit complete, SB38 ST45)	01.01.2007 → 31.12.2011	1
45	1542655	(Seat cover tension adjustable, kit complete, SB38 ST47,5)	01.07.2010 → 31.12.2011	1
46	1505326	(Seat cover tension adjustable, kit complete, SB40 ST37,5)	01.01.2007 → 31.12.2011	1
47	1505327	(Seat cover tension adjustable, kit complete, SB40 ST40)	01.01.2007 → 31.12.2011	1
48	1505342	(Seat cover tension adjustable, kit complete, SB40 ST42,5)	01.01.2007 → 31.12.2011	1
49	1505343	(Seat cover tension adjustable, kit complete, SB40 ST45)	01.01.2007 → 31.12.2011	1

**(Seat frame, cover tension adjustable =>31.12.2011)**

50	1542656	(Seat cover tension adjustable, kit complete, SB40 ST47,5)	01.07.2010 → 31.12.2011	1
51	1505344	(Seat cover tension adjustable, kit complete, SB42 ST37,5)	01.01.2007 → 31.12.2011	1
52	1505345	(Seat cover tension adjustable, kit complete, SB42 ST40)	01.01.2007 → 31.12.2011	1
53	1505346	(Seat cover tension adjustable, kit complete, SB42 ST42,5)	01.01.2007 → 31.12.2011	1
54	1505347	(Seat cover tension adjustable, kit complete, SB42 ST45)	01.01.2007 → 31.12.2011	1
55	1542657	(Seat cover tension adjustable, kit complete, SB42 ST47,5)	01.07.2010 → 31.12.2011	1
56	1505348	(Seat cover tension adjustable, kit complete, SB44 ST37,5)	01.01.2007 → 31.12.2011	1
57	1505349	(Seat cover tension adjustable, kit complete, SB44 ST40)	01.01.2007 → 31.12.2011	1
58	1505350	(Seat cover tension adjustable, kit complete, SB44 ST42,5)	01.01.2007 → 31.12.2011	1
59	1505351	(Seat cover tension adjustable, kit complete, SB44 ST45)	01.01.2007 → 31.12.2011	1
60	1542658	(Seat cover tension adjustable, kit complete, SB44 ST47,5)	01.07.2010 → 31.12.2011	1
61	1579366	(Seat rail kit SD37,5, pair)	01.01.2007 → 31.12.2011	1
62	1579367	(Seat rail kit SD40, pair)	01.01.2007 → 31.12.2011	1
63	1579368	(Seat rail kit SD42,5, pair)	01.01.2007 → 31.12.2011	1
64	1579369	(Seat rail kit SD45, pair)	01.01.2007 → 31.12.2011	1
65	1579370	(Seat rail kit SD47,5, pair)	01.07.2010 → 31.12.2011	1
66	1579375	(Fixation kit seat cover)	01.01.2007 → 31.12.2011	1

**(Seat frame, cover tension adjustable 01.01.2012=>)**



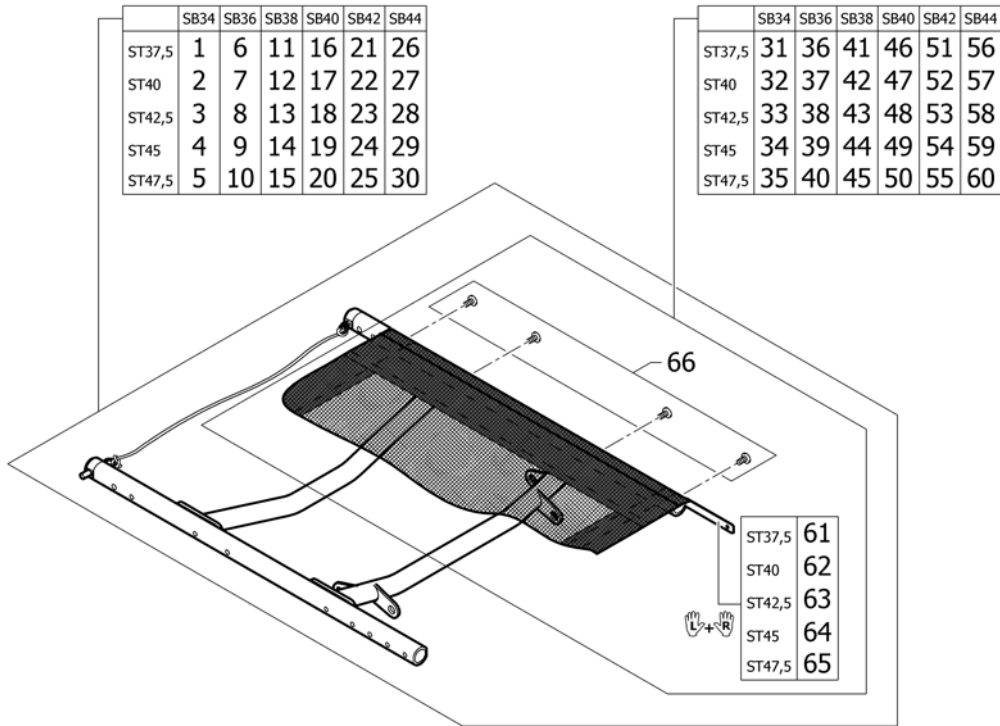
1	1579410	(Seat module complete, cover tension adjustable SB34 ST37,5)		1
2	1579411	(Seat module complete, cover tension adjustable SB34 ST40)		1
3	1579412	(Seat module complete, cover tension adjustable SB34 ST42,5)		1
4	1579413	(Seat module complete, cover tension adjustable SB34 ST45)		1
5	1579414	(Seat module complete, cover tension adjustable SB34 ST47,5)	01.01.2012 → 31.12.2013	1
6	1579415	(Seat module complete, cover tension adjustable SB36 ST37,5)		1
7	1579416	(Seat module complete, cover tension adjustable SB36 ST40)		1
8	1579417	(Seat module complete, cover tension adjustable SB36 ST42,5)		1
9	1579418	(Seat module complete, cover tension adjustable SB36 ST45)		1
10	1579419	(Seat module complete, cover tension adjustable SB36 ST47,5)	01.01.2012 → 31.12.2013	1
11	1579420	(Seat module complete, cover tension adjustable SB38 ST37,5)		1
12	1579442	(Seat module complete, cover tension adjustable SB38 ST40)		1
13	1579443	(Seat module complete, cover tension adjustable SB38 ST42,5)		1
14	1579444	(Seat module complete, cover tension adjustable SB38 ST45)		1
15	1579482	(Seat module complete, cover tension adjustable SB38 ST47,5)	01.01.2012 → 31.12.2013	1
16	1579483	(Seat module complete, cover tension adjustable SB40 ST37,5)		1
17	1579484	(Seat module complete, cover tension adjustable SB40 ST40)		1
18	1579485	(Seat module complete, cover tension adjustable SB40 ST42,5)		1
19	1579486	(Seat module complete, cover tension adjustable SB40 ST45)		1
20	1579487	(Seat module complete, cover tension adjustable SB40 ST47,5)	01.01.2012 → 31.12.2013	1
21	1579488	(Seat module complete, cover tension adjustable SB42 ST37,5)		1
22	1579489	(Seat module complete, cover tension adjustable SB42 ST40)		1
23	1579490	(Seat module complete, cover tension adjustable SB42 ST42,5)		1
24	1579491	(Seat module complete, cover tension adjustable SB42 ST45)		1
25	1579492	(Seat module complete, cover tension adjustable SB42 ST47,5)	01.01.2012 → 31.12.2013	1
26	1579493	(Seat module complete, cover tension adjustable SB44 ST37,5)		1
27	1579676	(Seat module complete, cover tension adjustable SB44 ST40)		1
28	1579677	(Seat module complete, cover tension adjustable SB44 ST42,5)		1

**(Seat frame, cover tension adjustable 01.01.2012=>)**

29	1579678	(Seat module complete, cover tension adjustable SB44 ST45)		1
30	1579679	(Seat module complete, cover tension adjustable SB44 ST47,5)	01.01.2012 → 31.12.2013	1
31	1505127	(Seat cover tension adjustable, kit complete, SB34 ST37,5)		1
32	1505128	(Seat cover tension adjustable, kit complete, SB34 ST40)		1
33	1505129	(Seat cover tension adjustable, kit complete, SB34 ST42,5)		1
34	1505130	(Seat cover tension adjustable, kit complete, SB34 ST45)		1
35	1542653	(Seat cover tension adjustable, kit complete, SB34 ST47,5)	01.01.2012 → 31.12.2013	1
36	1505131	(Seat cover tension adjustable, kit complete, SB36 ST37,5)		1
37	1505132	(Seat cover tension adjustable, kit complete, SB36 ST40)		1
38	1505133	(Seat cover tension adjustable, kit complete, SB36 ST42,5)		1
39	1505134	(Seat cover tension adjustable, kit complete, SB36 ST45)		1
40	1542654	(Seat cover tension adjustable, kit complete, SB36 ST47,5)	01.01.2012 → 31.12.2013	1
41	1505322	(Seat cover tension adjustable, kit complete, SB38 ST37,5)		1
42	1505323	(Seat cover tension adjustable, kit complete, SB38 ST40)		1
43	1505324	(Seat cover tension adjustable, kit complete, SB38 ST42,5)		1
44	1505325	(Seat cover tension adjustable, kit complete, SB38 ST45)		1
45	1542655	(Seat cover tension adjustable, kit complete, SB38 ST47,5)	01.01.2012 → 31.12.2013	1
46	1505326	(Seat cover tension adjustable, kit complete, SB40 ST37,5)		1
47	1505327	(Seat cover tension adjustable, kit complete, SB40 ST40)		1
48	1505342	(Seat cover tension adjustable, kit complete, SB40 ST42,5)		1
49	1505343	(Seat cover tension adjustable, kit complete, SB40 ST45)		1
50	1542656	(Seat cover tension adjustable, kit complete, SB40 ST47,5)	01.01.2012 → 31.12.2013	1
51	1505344	(Seat cover tension adjustable, kit complete, SB42 ST37,5)		1
52	1505345	(Seat cover tension adjustable, kit complete, SB42 ST40)		1
53	1505346	(Seat cover tension adjustable, kit complete, SB42 ST42,5)		1
54	1505347	(Seat cover tension adjustable, kit complete, SB42 ST45)		1
55	1542657	(Seat cover tension adjustable, kit complete, SB42 ST47,5)	01.01.2012 → 31.12.2013	1
56	1505348	(Seat cover tension adjustable, kit complete, SB44 ST37,5)		1
57	1505349	(Seat cover tension adjustable, kit complete, SB44 ST40)		1
58	1505350	(Seat cover tension adjustable, kit complete, SB44 ST42,5)		1
59	1505351	(Seat cover tension adjustable, kit complete, SB44 ST45)		1
60	1542658	(Seat cover tension adjustable, kit complete, SB44 ST47,5)	01.01.2012 → 31.12.2013	1
61	1579366	(Seat rail kit SD37,5, pair)		1
62	1579367	(Seat rail kit SD40, pair)		1
63	1579368	(Seat rail kit SD42,5, pair)		1
64	1579369	(Seat rail kit SD45, pair)		1
65	1579370	(Seat rail kit SD47,5, pair)	01.01.2012 → 31.12.2013	1
66	1579375	(Fixation kit seat cover)		1



**(Seat frame, cover light =>31.12.2011)**



1	1579336	(Seat module complete, cover light SB34 ST37,5)	01.01.2007 → 31.12.2011	1
2	1579337	(Seat module complete, cover light SB34 ST40)	01.01.2007 → 31.12.2011	1
3	1579338	(Seat module complete, cover light SB34 ST42,5)	01.01.2007 → 31.12.2011	1
4	1579339	(Seat module complete, cover light SB34 ST45)	01.01.2007 → 31.12.2011	1
5	1579340	(Seat module complete, cover light SB34 ST47,5)	01.07.2010 → 31.12.2011	1
6	1579341	(Seat module complete, cover light SB36 ST37,5)	01.01.2007 → 31.12.2011	1
7	1579342	(Seat module complete, cover light SB36 ST40)	01.01.2007 → 31.12.2011	1
8	1579343	(Seat module complete, cover light SB36 ST42,5)	01.01.2007 → 31.12.2011	1
9	1579344	(Seat module complete, cover light SB36 ST45)	01.01.2007 → 31.12.2011	1
10	1579345	(Seat module complete, cover light SB36 ST47,5)	01.07.2010 → 31.12.2011	1
11	1579346	(Seat module complete, cover light SB38 ST37,5)	01.01.2007 → 31.12.2011	1
12	1579347	(Seat module complete, cover light SB38 ST40)	01.01.2007 → 31.12.2011	1
13	1579348	(Seat module complete, cover light SB38 ST42,5)	01.01.2007 → 31.12.2011	1
14	1579349	(Seat module complete, cover light SB38 ST45)	01.01.2007 → 31.12.2011	1
15	1579350	(Seat module complete, cover light SB38 ST47,5)	01.07.2010 → 31.12.2011	1
16	1579351	(Seat module complete, cover light SB40 ST37,5)	01.01.2007 → 31.12.2011	1
17	1579352	(Seat module complete, cover light SB40 ST40)	01.01.2007 → 31.12.2011	1
18	1579353	(Seat module complete, cover light SB40 ST42,5)	01.01.2007 → 31.12.2011	1



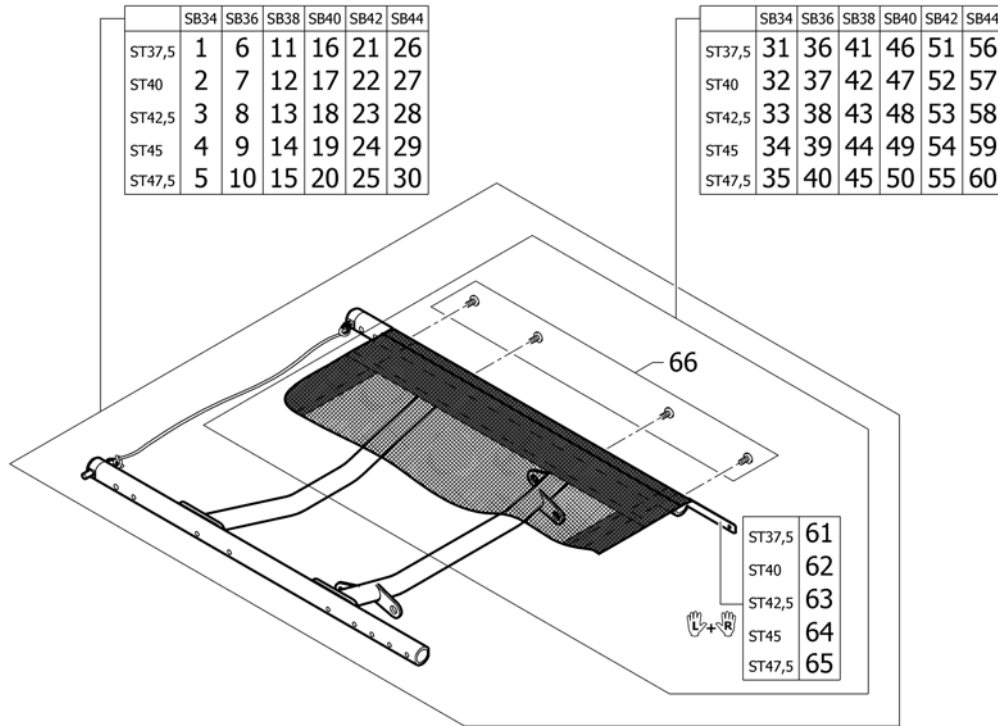
**(Seat frame, cover light =>31.12.2011)**

19	1579354	(Seat module complete, cover light SB40 ST45)	01.01.2007 → 31.12.2011	1
20	1579355	(Seat module complete, cover light SB40 ST47,5)	01.07.2010 → 31.12.2011	1
21	1579356	(Seat module complete, cover light SB42 ST37,5)	01.01.2007 → 31.12.2011	1
22	1579357	(Seat module complete, cover light SB42 ST40)	01.01.2007 → 31.12.2011	1
23	1579358	(Seat module complete, cover light SB42 ST42,5)	01.01.2007 → 31.12.2011	1
24	1579359	(Seat module complete, cover light SB42 ST45)	01.01.2007 → 31.12.2011	1
25	1579360	(Seat module complete, cover light SB42 ST47,5)	01.07.2010 → 31.12.2011	1
26	1579361	(Seat module complete, cover light SB44 ST37,5)	01.01.2007 → 31.12.2011	1
27	1579362	(Seat module complete, cover light SB44 ST40)	01.01.2007 → 31.12.2011	1
28	1579363	(Seat module complete, cover light SB44 ST42,5)	01.01.2007 → 31.12.2011	1
29	1579364	(Seat module complete, cover light SB44 ST45)	01.01.2007 → 31.12.2011	1
30	1579365	(Seat module complete, cover light SB44 ST47,5)	01.07.2010 → 31.12.2011	1
31	1546503	(Seatcover light complete SB34 ST37,5 for frame standard)	01.01.2007 → 31.12.2011	1
32	1546511	(Seatcover light complete SB34 ST40 for frame standard)	01.01.2007 → 31.12.2011	1
33	1546519	(Seatcover light complete SB34 ST42,5 for frame standard)	01.01.2007 → 31.12.2011	1
34	1546527	(Seatcover light complete SB34 ST45 for frame standard/+5)	01.01.2007 → 31.12.2011	1
35	1546535	(Seatcover light complete SB34 ST47,5 for frame +5)	01.07.2010 → 31.12.2011	1
36	1546504	(Seatcover light complete SB36 ST37,5 for frame standard)	01.01.2007 → 31.12.2011	1
37	1546512	(Seatcover light complete SB36 ST40 for frame standard)	01.01.2007 → 31.12.2011	1
38	1546520	(Seatcover light complete SB36 ST42,5 for frame standard)	01.01.2007 → 31.12.2011	1
39	1546528	(Seatcover light complete SB36 ST45 for frame standard/+5)	01.01.2007 → 31.12.2011	1
40	1546536	(Seatcover light complete SB36 ST47,5 for frame +5)	01.07.2010 → 31.12.2011	1
41	1546505	(Seatcover light complete SB38 ST37,5 for frame standard)	01.01.2007 → 31.12.2011	1
42	1546513	(Seatcover light complete SB38 ST40 for frame standard)	01.01.2007 → 31.12.2011	1
43	1546521	(Seatcover light complete SB38 ST42,5 for frame standard)	01.01.2007 → 31.12.2011	1
44	1546529	(Seatcover light complete SB38 ST45 for frame standard/+5)	01.01.2007 → 31.12.2011	1
45	1546537	(Seatcover light complete SB38 ST47,5 for frame +5)	01.07.2010 → 31.12.2011	1
46	1546506	(Seatcover light complete SB40 ST37,5 for frame standard)	01.01.2007 → 31.12.2011	1
47	1546514	(Seatcover light complete SB40 ST40 for frame standard)	01.01.2007 → 31.12.2011	1
48	1546522	(Seatcover light complete SB40 ST42,5 for frame standard)	01.01.2007 → 31.12.2011	1
49	1546530	(Seatcover light complete SB40 ST45 for frame standard/+5)	01.01.2007 → 31.12.2011	1

**(Seat frame, cover light =>31.12.2011)**

50	1546538	(Seatcover light complete SB40 ST47,5 for frame +5)	01.07.2010 → 31.12.2011	1
51	1546507	(Seatcover light complete SB42 ST37,5 for frame standard)	01.01.2007 → 31.12.2011	1
52	1546515	(Seatcover light complete SB42 ST40 for frame standard)	01.01.2007 → 31.12.2011	1
53	1546523	(Seatcover light complete SB42 ST42,5 for frame standard)	01.01.2007 → 31.12.2011	1
54	1546531	(Seatcover light complete SB42 ST45 for frame standard/+5)	01.01.2007 → 31.12.2011	1
55	1546539	(Seatcover light complete SB42 ST47,5 for frame +5)	01.07.2010 → 31.12.2011	1
56	1546508	(Seatcover light complete SB44 ST37,5 for frame standard)	01.01.2007 → 31.12.2011	1
57	1546516	(Seatcover light complete SB44 ST40 for frame standard)	01.01.2007 → 31.12.2011	1
58	1546524	(Seatcover light complete SB44 ST42,5 for frame standard)	01.01.2007 → 31.12.2011	1
59	1546532	(Seatcover light complete SB44 ST45 for frame standard/+5)	01.01.2007 → 31.12.2011	1
60	1546540	(Seatcover light complete SB44 ST47,5 for frame +5)	01.07.2010 → 31.12.2011	1
61	1579366	(Seat rail kit SD37,5, pair)	01.01.2007 → 31.12.2011	1
62	1579367	(Seat rail kit SD40, pair)	01.01.2007 → 31.12.2011	1
63	1579368	(Seat rail kit SD42,5, pair)	01.01.2007 → 31.12.2011	1
64	1579369	(Seat rail kit SD45, pair)	01.01.2007 → 31.12.2011	1
65	1579370	(Seat rail kit SD47,5, pair)	01.07.2010 → 31.12.2011	1
66	1579375	(Fixation kit seat cover)	01.01.2007 → 31.12.2011	1

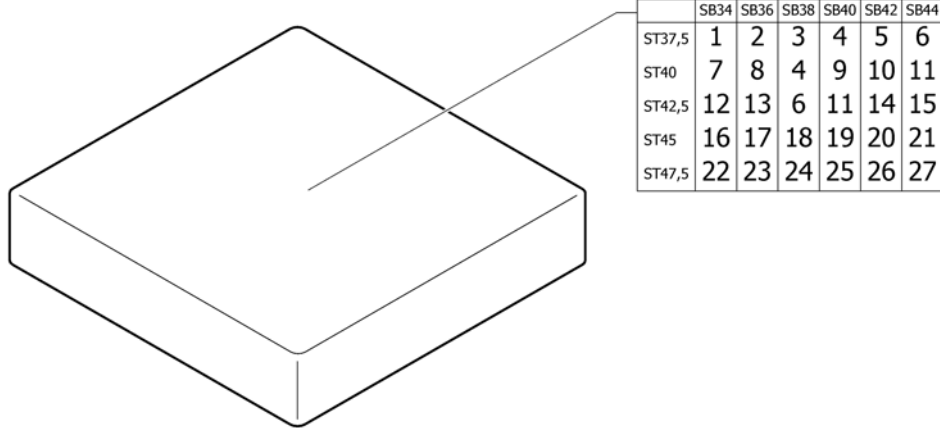
**(Seat frame, cover light 01.01.2012=>)**



1	1579734	(Seat module complete, cover light SB34 ST37,5)		1
2	1579735	(Seat module complete, cover light SB34 ST40)		1
3	1579736	(Seat module complete, cover light SB34 ST42,5)		1
4	1579737	(Seat module complete, cover light SB34 ST45)		1
5	1579738	(Seat module complete, cover light SB34 ST47,5)	01.01.2012 → 31.12.2013	1
6	1579800	(Seat module complete, cover light SB36 ST37,5)		1
7	1579801	(Seat module complete, cover light SB36 ST40)		1
8	1579802	(Seat module complete, cover light SB36 ST42,5)		1
9	1579837	(Seat module complete, cover light SB36 ST45)		1
10	1579838	(Seat module complete, cover light SB36 ST47,5)	01.01.2012 → 31.12.2013	1
11	1579839	(Seat module complete, cover light SB38 ST37,5)		1
12	1579840	(Seat module complete, cover light SB38 ST40)		1
13	1579841	(Seat module complete, cover light SB38 ST42,5)		1
14	1580017	(Seat module complete, cover light SB38 ST45)		1
15	1580232	(Seat module complete, cover light SB38 ST47,5)	01.01.2012 → 31.12.2013	1
16	1580233	(Seat module complete, cover light SB40 ST37,5)		1
17	1580234	(Seat module complete, cover light SB40 ST40)		1
18	1580235	(Seat module complete, cover light SB40 ST42,5)		1
19	1580236	(Seat module complete, cover light SB40 ST45)		1
20	1580237	(Seat module complete, cover light SB40 ST47,5)	01.01.2012 → 31.12.2013	1
21	1580238	(Seat module complete, cover light SB42 ST37,5)		1
22	1580239	(Seat module complete, cover light SB42 ST40)		1
23	1580240	(Seat module complete, cover light SB42 ST42,5)		1
24	1580241	(Seat module complete, cover light SB42 ST45)		1
25	1580242	(Seat module complete, cover light SB42 ST47,5)	01.01.2012 → 31.12.2013	1
26	1580243	(Seat module complete, cover light SB44 ST37,5)		1
27	1580244	(Seat module complete, cover light SB44 ST40)		1
28	1580245	(Seat module complete, cover light SB44 ST42,5)		1

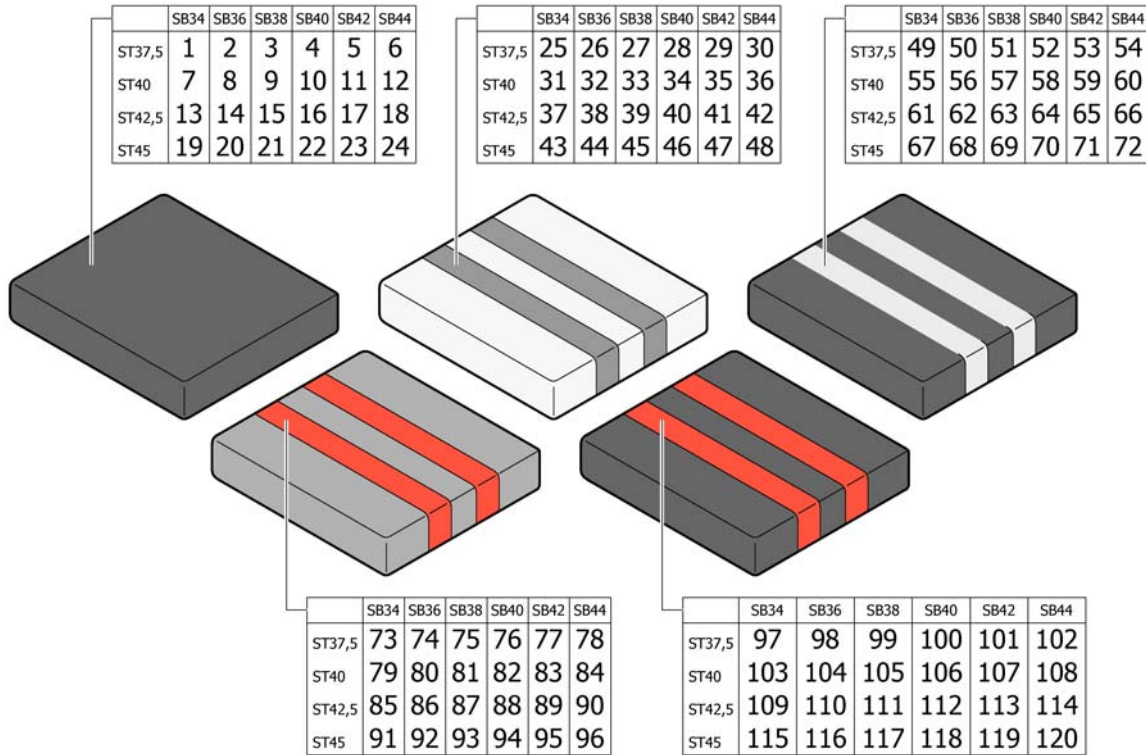
**(Seat frame, cover light 01.01.2012=>)**

29	1580246	(Seat module complete, cover light SB44 ST45)		1
30	1580247	(Seat module complete, cover light SB44 ST47,5)	01.01.2012 → 31.12.2013	1
31	1546503	(Seatcover light complete SB34 ST37,5 for frame standard)		1
32	1546511	(Seatcover light complete SB34 ST40 for frame standard)		1
33	1546519	(Seatcover light complete SB34 ST42,5 for frame standard)		1
34	1546527	(Seatcover light complete SB34 ST45 for frame standard/+5)		1
35	1546535	(Seatcover light complete SB34 ST47,5 for frame +5)	01.01.2012 → 31.12.2013	1
36	1546504	(Seatcover light complete SB36 ST37,5 for frame standard)		1
37	1546512	(Seatcover light complete SB36 ST40 for frame standard)		1
38	1546520	(Seatcover light complete SB36 ST42,5 for frame standard)		1
39	1546528	(Seatcover light complete SB36 ST45 for frame standard/+5)		1
40	1546536	(Seatcover light complete SB36 ST47,5 for frame +5)	01.01.2012 → 31.12.2013	1
41	1546505	(Seatcover light complete SB38 ST37,5 for frame standard)		1
42	1546513	(Seatcover light complete SB38 ST40 for frame standard)		1
43	1546521	(Seatcover light complete SB38 ST42,5 for frame standard)		1
44	1546529	(Seatcover light complete SB38 ST45 for frame standard/+5)		1
45	1546537	(Seatcover light complete SB38 ST47,5 for frame +5)	01.01.2012 → 31.12.2013	1
46	1546506	(Seatcover light complete SB40 ST37,5 for frame standard)		1
47	1546514	(Seatcover light complete SB40 ST40 for frame standard)		1
48	1546522	(Seatcover light complete SB40 ST42,5 for frame standard)		1
49	1546530	(Seatcover light complete SB40 ST45 for frame standard/+5)		1
50	1546538	(Seatcover light complete SB40 ST47,5 for frame +5)	01.01.2012 → 31.12.2013	1
51	1546507	(Seatcover light complete SB42 ST37,5 for frame standard)		1
52	1546515	(Seatcover light complete SB42 ST40 for frame standard)		1
53	1546523	(Seatcover light complete SB42 ST42,5 for frame standard)		1
54	1546531	(Seatcover light complete SB42 ST45 for frame standard/+5)		1
55	1546539	(Seatcover light complete SB42 ST47,5 for frame +5)	01.01.2012 → 31.12.2013	1
56	1546508	(Seatcover light complete SB44 ST37,5 for frame standard)		1
57	1546516	(Seatcover light complete SB44 ST40 for frame standard)		1
58	1546524	(Seatcover light complete SB44 ST42,5 for frame standard)		1
59	1546532	(Seatcover light complete SB44 ST45 for frame standard/+5)		1
60	1546540	(Seatcover light complete SB44 ST47,5 for frame +5)	01.01.2012 → 31.12.2013	1
61	1579366	(Seat rail kit SD37,5, pair)		1
62	1579367	(Seat rail kit SD40, pair)		1
63	1579368	(Seat rail kit SD42,5, pair)		1
64	1579369	(Seat rail kit SD45, pair)		1
65	1579370	(Seat rail kit SD47,5, pair)	01.01.2012 → 31.12.2013	1
66	1579375	(Fixation kit seat cover)		1

**(Seat cushion standard)**

1	1556327	(Seat cushion 340mm x 380mm)		1
2	1556336	PUTE SETE SB 36 SD38 KUSCHALL		1
3	1556344	SETEPUTE 380mm x 380mm KUSCHALL		1
4	1556345	SETEPUTE STD 380mm x 400mm		1
5	1556346	(Seat cushion 380mm x 420mm)		1
6	1556347	(Seat cushion 380mm x 440mm)		1
7	1556328	(Seat cushion 340mm x 400mm)		1
8	1556337	SETEPUTE 360mm x 400mm KUSCHALL		1
9	1556352	SETEPUTE 40/40/5 SORT KUSCHALL		1
10	1556353	SETEPUTE 40/42/5 SORT KUSCHALL		1
11	1556354	SETEPUTE 40X44X5 SORT KUSCHALL		1
12	1556330	(Seat cushion 340mm x 440mm)		1
13	1556339	(Seat cushion 360mm x 440mm)		1
14	1556360	(Seat cushion 420mm x 440mm)		1
15	1556365	SETEPUTE 44/44/5 SORT KUSCHALL		1
16	1556331	(Seat cushion 340mm x 460mm)		1
17	1556340	(Seat cushion 360mm x 460mm)		1
18	1556348	(Seat cushion 380mm x 460mm)		1
19	1556355	SETEPUTE 400mm x 460mm KUSCHALL		1
20	1556361	(Seat cushion 420mm x 460mm)		1
21	1556366	SETEPUTE 46/44/5 SORT KUSCHALL		1
22	1556332	(Seat cushion 340mm x 480mm)	01.07.2012 → 31.12.2013	1
23	1556341	(Seat cushion 360mm x 480mm)	01.07.2012 → 31.12.2013	1
24	1556349	(Seat cushion 380mm x 480mm)	01.07.2012 → 31.12.2013	1
25	1556356	(Seat cushion 400mm x 480mm)	01.07.2012 → 31.12.2013	1
26	1556362	(Seat cushion 420mm x 480mm)	01.07.2012 → 31.12.2013	1
27	1556367	SETEPUTE 44/48/5 SORT KUSCHALL	01.07.2012 → 31.12.2013	1

# (Seat cushion Alcantara)



1	1517144	SETEPUTE 34/37,5/5 SORT ALCANTARA <i>Replaces 1497810</i>	1
2	1517145	(Seat cushion SB36 ST37.5 Alcantara black R33) <i>Replaces 1497814</i>	1
3	1517146	(Seat cushion SB38 ST37.5 Alcantara black R33) <i>Replaces 1498093</i>	1
4	1517147	(Seat cushion SB40 ST37.5 Alcantara black R33) <i>Replaces 1498097</i>	1
5	1517148	(Seat cushion SB42 ST37.5 Alcantara black R33) <i>Replaces 1498101</i>	1
6	1517169	(Seat cushion SB44 ST37.5 Alcantara black R33) <i>Replaces 1498105</i>	1
7	1517170	(Seat cushion SB34 ST40 Alcantara black R33) <i>Replaces 1497811</i>	1
8	1517171	(Seat cushion SB36 ST40 Alcantara black R33) <i>Replaces 1497815</i>	1
9	1517172	(Seat cushion SB38 ST40 Alcantara black R33) <i>Replaces 1498094</i>	1
10	1517173	(Seat cushion SB40 ST40 Alcantara black R33) <i>Replaces 1498098</i>	1
11	1517174	(Seat cushion SB42 ST40 Alcantara black R33) <i>Replaces 1498102</i>	1
12	1517175	(Seat cushion SB44 ST40 Alcantara black R33) <i>Replaces 1498106</i>	1
13	1517176	(Seat cushion SB34 ST42.5 Alcantara black R33) <i>Replaces 1497812</i>	1
14	1517177	(Seat cushion SB36 ST42.5 Alcantara black R33) <i>Replaces 1497816</i>	1
15	1517178	(Seat cushion SB38 ST42.5 Alcantara black R33) <i>Replaces 1498095</i>	1
16	1517182	(Seat cushion SB40 ST42.5 Alcantara black R33) <i>Replaces 1498099</i>	1
17	1517183	(Seat cushion SB42 ST42.5 Alcantara black R33) <i>Replaces 1498103</i>	1
18	1517184	(Seat cushion SB44 ST42.5 Alcantara black R33) <i>Replaces 1498107</i>	1

**(Seat cushion Alcantara)**

19	1517185	(Seat cushion SB34 ST45 Alcantara black R33) <i>Replaces 1497813</i>		1
20	1517186	(Seat cushion SB36 ST45 Alcantara black R33) <i>Replaces 1497897</i>		1
21	1517187	(Seat cushion SB38 ST45 Alcantara black R33) <i>Replaces 1498096</i>		1
22	1517188	SETEPUTE 40/45 ALCANTARA SORT KUSCHALL <i>Replaces 1498100</i>		1
23	1517189	(Seat cushion SB42 ST45 Alcantara black R33) <i>Replaces 1498104</i>		1
24	1517190	(Seat cushion SB44 ST45 Alcantara black R33) <i>Replaces 1498108</i>		1
25	1517387	(Seat cushion SB34 ST37.5 Alcantara bright grey-grey R33) <i>Replaces 1497526</i>	01.01.2007 → 31.12.2011	1
26	1517388	SETEPUTE 36/37,5 R33 ALCANTERA,GRÅ STRIPER <i>Replaces 1497530</i>	01.01.2007 → 31.12.2011	1
27	1517389	(Seat cushion SB38 ST37.5 Alcantara bright grey-grey R33) <i>Replaces 1497534</i>	01.01.2007 → 31.12.2011	1
28	1517390	(Seat cushion SB40 ST37.5 Alcantara bright grey-grey R33) <i>Replaces 1497798</i>	01.01.2007 → 31.12.2011	1
29	1517391	(Seat cushion SB42 ST37.5 Alcantara bright grey-grey R33) <i>Replaces 1497802</i>	01.01.2007 → 31.12.2011	1
30	1517392	(Seat cushion SB44 ST37.5 Alcantara bright grey-grey R33) <i>Replaces 1497806</i>	01.01.2007 → 31.12.2011	1
31	1517393	(Seat cushion SB34 ST40 Alcantara bright grey-grey R33) <i>Replaces 1497527</i>	01.01.2007 → 31.12.2011	1
32	1517394	(Seat cushion SB36 ST40 Alcantara bright grey-grey R33) <i>Replaces 1497531</i>	01.01.2007 → 31.12.2011	1
33	1517395	SETEPUTE 38/40 R33 ALCANTERA,GRÅ STRIPER <i>Replaces 1497535</i>	01.01.2007 → 31.12.2011	1
34	1517396	(Seat cushion SB40 ST40 Alcantara bright grey-grey R33) <i>Replaces 1497799</i>	01.01.2007 → 31.12.2011	1
35	1517397	(Seat cushion SB42 ST40 Alcantara bright grey-grey R33) <i>Replaces 1497803</i>	01.01.2007 → 31.12.2011	1
36	1517398	SETEPUTE 44/40 R33 ALCANTERA,GRÅ STRIPER <i>Replaces 1497807</i>	01.01.2007 → 31.12.2011	1
37	1517399	(Seat cushion SB34 ST42.5 Alcantara bright grey-grey R33) <i>Replaces 1497528</i>	01.01.2007 → 31.12.2011	1
38	1517400	(Seat cushion SB36 ST42.5 Alcantara bright grey-grey R33) <i>Replaces 1497532</i>	01.01.2007 → 31.12.2011	1
39	1517401	(Seat cushion SB38 ST42.5 Alcantara bright grey-grey R33) <i>Replaces 1497644</i>	01.01.2007 → 31.12.2011	1
40	1517402	SETEPUTE 40/42 R33 ALCANTERA,GRÅ STRIPER <i>Replaces 1497800</i>	01.01.2007 → 31.12.2011	1
41	1517403	(Seat cushion SB42 ST42.5 Alcantara bright grey-grey R33) <i>Replaces 1497804</i>	01.01.2007 → 31.12.2011	1
42	1517404	(Seat cushion SB44 ST42.5 Alcantara bright grey-grey R33) <i>Replaces 1497808</i>	01.01.2007 → 31.12.2011	1



**(Seat cushion Alcantara)**

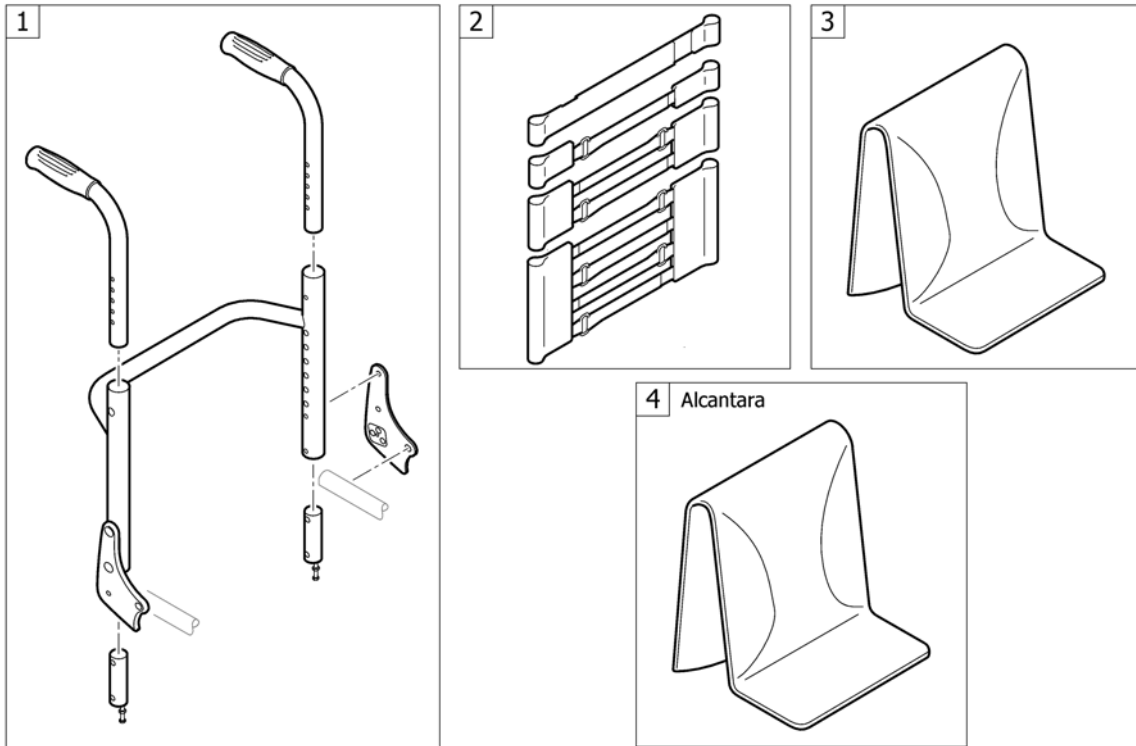
43	1517405	(Seat cushion SB34 ST45 Alcantara bright grey-grey R33) <i>Replaces 1497529</i>	01.01.2007 → 31.12.2011	1
44	1517406	(Seat cushion SB36 ST45 Alcantara bright grey-grey R33) <i>Replaces 1497533</i>	01.01.2007 → 31.12.2011	1
45	1517407	(Seat cushion SB38 ST45 Alcantara bright grey-grey R33) <i>Replaces 1497797</i>	01.01.2007 → 31.12.2011	1
46	1517408	(Seat cushion SB40 ST45 Alcantara bright grey-grey R33) <i>Replaces 1497801</i>	01.01.2007 → 31.12.2011	1
47	1517409	(Seat cushion SB42 ST45 Alcantara bright grey-grey R33) <i>Replaces 1497805</i>	01.01.2007 → 31.12.2011	1
48	1517410	(Seat cushion SB44 ST45 Alcantara bright grey-grey R33) <i>Replaces 1497809</i>	01.01.2007 → 31.12.2011	1
49	1542665	(Seat cushion SB34 ST37.5 Alcantara black-grey R33)	01.07.2010 →	1
50	1542669	(Seat cushion SB36 ST37.5 Alcantara black-grey R33)	01.07.2010 →	1
51	1542673	(Seat cushion SB38 ST37.5 Alcantara black-grey R33)	01.07.2010 →	1
52	1542677	(Seat cushion SB40 ST37.5 Alcantara black-grey R33)	01.07.2010 →	1
53	1542681	(Seat cushion SB42 ST37.5 Alcantara black-grey R33)	01.07.2010 →	1
54	1542685	(Seat cushion SB44 ST37.5 Alcantara black-grey R33)	01.07.2010 →	1
55	1542666	(Seat cushion SB34 ST40 Alcantara black-grey R33)	01.07.2010 →	1
56	1542670	(Seat cushion SB36 ST40 Alcantara black-grey R33)	01.07.2010 →	1
57	1542674	SETEPUTE 38/40 R33 ALCANTERA, SORT GRÅ	01.07.2010 →	1
58	1542678	(Seat cushion SB40 ST40 Alcantara black-grey R33)	01.07.2010 →	1
59	1542682	SETEPUTE 42/40 R33 ALCANTERA, SORT GRÅ	01.07.2010 →	1
60	1542686	(Seat cushion SB44 ST40 Alcantara black-grey R33)	01.07.2010 →	1
61	1542667	(Seat cushion SB34 ST42.5 Alcantara black-grey R33)	01.07.2010 →	1
62	1542671	(Seat cushion SB36 ST42.5 Alcantara black-grey R33)	01.07.2010 →	1
63	1542675	(Seat cushion SB38 ST42.5 Alcantara black-grey R33)	01.07.2010 →	1
64	1542679	(Seat cushion SB40 ST42.5 Alcantara black-grey R33)	01.07.2010 →	1
65	1542683	(Seat cushion SB42 ST42.5 Alcantara black-grey R33)	01.07.2010 →	1
66	1542687	(Seat cushion SB44 ST42.5 Alcantara black-grey R33)	01.07.2010 →	1
67	1542668	(Seat cushion SB34 ST45 Alcantara black-grey R33)	01.07.2010 →	1
68	1542672	(Seat cushion SB36 ST45 Alcantara black-grey R33)	01.07.2010 →	1
69	1542676	(Seat cushion SB38 ST45 Alcantara black-grey R33)	01.07.2010 →	1
70	1542680	(Seat cushion SB40 ST45 Alcantara black-grey R33)	01.07.2010 →	1
71	1542684	(Seat cushion SB42 ST45 Alcantara black-grey R33)	01.07.2010 →	1
72	1542688	SETEPUTE 44/45 R33 ALCANTERA, SORT GRÅ	01.07.2010 →	1
73	1517241	(Seat cushion SB34 ST37.5 Alcantara grey-red R33) <i>Replaces 1497157</i>		1
74	1517242	(Seat cushion SB36 ST37.5 Alcantara grey-red R33) <i>Replaces 1497161</i>		1
75	1517243	(Seat cushion SB38 ST37.5 Alcantara grey-red R33) <i>Replaces 1497165</i>		1
76	1517266	(Seat cushion SB40 ST37.5 Alcantara grey-red R33) <i>Replaces 1497201</i>		1
77	1517313	(Seat cushion SB42 ST37.5 Alcantara grey-red R33) <i>Replaces 1497518</i>		1
78	1517314	(Seat cushion SB44 ST37.5 Alcantara grey-red R33) <i>Replaces 1497522</i>		1
79	1517369	(Seat cushion SB34 ST40 Alcantara grey-red R33) <i>Replaces 1497158</i>		1
80	1517370	(Seat cushion SB36 ST40 Alcantara grey-red R33) <i>Replaces 1497162</i>		1
81	1517371	(Seat cushion SB38 ST40 Alcantara grey-red R33) <i>Replaces 1497198</i>		1



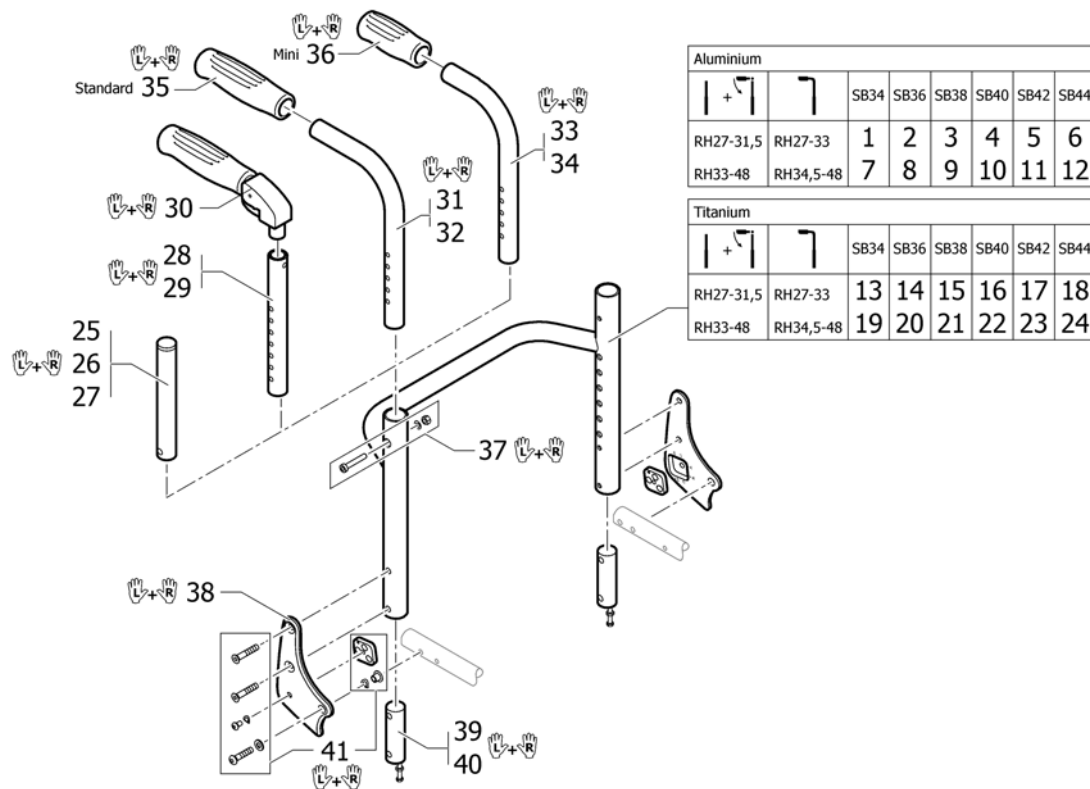
**(Seat cushion Alcantara)**

82	1517372	(Seat cushion SB40 ST40 Alcantara grey-red R33) <i>Replaces 1497324</i>		1
83	1517373	(Seat cushion SB42 ST40 Alcantara grey-red R33) <i>Replaces 1497519</i>		1
84	1517374	(Seat cushion SB44 ST40 Alcantara grey-red R33) <i>Replaces 1497523</i>		1
85	1517375	(Seat cushion SB34 ST42.5 Alcantara grey-red R33) <i>Replaces 1497159</i>		1
86	1517376	(Seat cushion SB36 ST42.5 Alcantara grey-red R33) <i>Replaces 1497163</i>		1
87	1517377	(Seat cushion SB38 ST42.5 Alcantara grey-red R33) <i>Replaces 1497199</i>		1
88	1517378	(Seat cushion SB40 ST42.5 Alcantara grey-red R33) <i>Replaces 1497516</i>		1
89	1517379	(Seat cushion SB42 ST42.5 Alcantara grey-red R33) <i>Replaces 1497520</i>		1
90	1517380	(Seat cushion SB44 ST42.5 Alcantara grey-red R33) <i>Replaces 1497524</i>		1
91	1517381	(Seat cushion SB34 ST45 Alcantara grey-red R33) <i>Replaces 1497160</i>		1
92	1517382	(Seat cushion SB36 ST45 Alcantara grey-red R33) <i>Replaces 1497164</i>		1
93	1517383	(Seat cushion SB38 ST45 Alcantara grey-red R33) <i>Replaces 1497200</i>		1
94	1517384	(Seat cushion SB40 ST45 Alcantara grey-red R33) <i>Replaces 1497517</i>		1
95	1517385	(Seat cushion SB42 ST45 Alcantara grey-red R33) <i>Replaces 1497521</i>		1
96	1517386	(Seat cushion SB44 ST45 Alcantara grey-red R33) <i>Replaces 1497525</i>		1
97	1517411	(Seat cushion SB34 ST37.5 Alcantara black-red R33)	01.01.2008 →	1
98	1517412	(Seat cushion SB36 ST37.5 Alcantara black-red R33)	01.01.2008 →	1
99	1517413	(Seat cushion SB38 ST37.5 Alcantara black-red R33)	01.01.2008 →	1
100	1517414	(Seat cushion SB40 ST37.5 Alcantara black-red R33)	01.01.2008 →	1
101	1517415	(Seat cushion SB42 ST37.5 Alcantara black-red R33)	01.01.2008 →	1
102	1517416	(Seat cushion SB44 ST37.5 Alcantara black-red R33)	01.01.2008 →	1
103	1517417	(Seat cushion SB34 ST40 Alcantara black-red R33)	01.01.2008 →	1
104	1517418	(Seat cushion SB36 ST40 Alcantara black-red R33)	01.01.2008 →	1
105	1517419	(Seat cushion SB38 ST40 Alcantara black-red R33)	01.01.2008 →	1
106	1517420	(Seat cushion SB40 ST40 Alcantara black-red R33)	01.01.2008 →	1
107	1517421	SETEPUTE 42/40 R33 ALCANTERA, SORT RØD	01.01.2008 →	1
108	1517422	(Seat cushion SB44 ST40 Alcantara black-red R33)	01.01.2008 →	1
109	1517423	(Seat cushion SB34 ST42.5 Alcantara black-red R33)	01.01.2008 →	1
110	1517424	(Seat cushion SB36 ST42.5 Alcantara black-red R33)	01.01.2008 →	1
111	1517425	(Seat cushion SB38 ST42.5 Alcantara black-red R33)	01.01.2008 →	1
112	1517426	(Seat cushion SB40 ST42.5 Alcantara black-red R33)	01.01.2008 →	1
113	1517427	(Seat cushion SB42 ST42.5 Alcantara black-red R33)	01.01.2008 →	1
114	1517428	(Seat cushion SB44 ST42.5 Alcantara black-red R33)	01.01.2008 →	1
115	1517429	(Seat cushion SB34 ST45 Alcantara black-red R33)	01.01.2008 →	1
116	1517430	(Seat cushion SB36 ST45 Alcantara black-red R33)	01.01.2008 →	1
117	1517431	(Seat cushion SB38 ST45 Alcantara black-red R33)	01.01.2008 →	1
118	1517432	(Seat cushion SB40 ST45 Alcantara black-red R33)	01.01.2008 →	1
119	1517433	(Seat cushion SB42 ST45 Alcantara black-red R33)	01.01.2008 →	1
120	1517434	SETEPUTE 44/45 R33 ALCANTERA, SORT RØD	01.01.2008 →	1

# Rygg



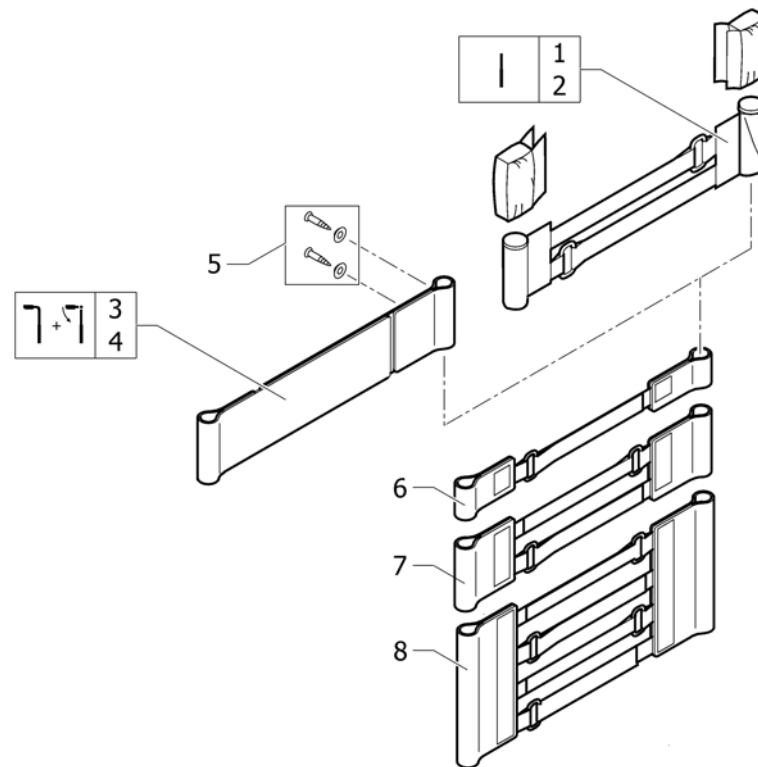
1	-	(Backrest)	1
2	-	(Bands to adjustable backrest)	1
3	-	(Cover to adjustable backrest)	1
4	-	(Cover to adjustable backrest Alcantara)	1

**(Backrest)**

1	1491119	(Backrest tube Alu SB34 short)	1
2	1491120	(Backrest tube Alu SB36 short)	1
3	1491121	RYGGRØR 38 ALU.KORT K4	1
4	1491122	RYGGRØR 40 ALU.KORT K4 K05	1
5	1491214	(Backrest tube Alu SB42 short)	1
6	1492134	(Backrest tube Alu SB44 short)	1
7	1491091	(Backrest tube Alu SB34 Long)	1
8	1491092	RYGGRØR 36 ALU.KORT K4 R33 K-JUNIOR	1
9	1451787	(Backrest tube Alu SB38 Long)	1
10	1451788	RYGGRØR 40 ALU.LANG K4 K05	1
11	1451789	RYGGRØR ALU SB 42 K4	1
12	1451790	RYGGRØR ALU SB44 K4	1
13	1451792	(Backrest tube Titan SB34 short)	1
14	1451793	RYGGRØR TITAN SB 36 KORT	1
15	1485517	RYGGRØR 38 TITAN KORT K4 K05	1
16	1485518	RYGGRØR 40 TITAN KORT K4 K05	1
17	1484827	(Backrest tube Titan SB42 short)	1
18	1488996	RYGGRØR TITAN SB44 KORT K4 2005-MODELL	1
19	1488997	RYGGRØR 34 TITAN LANG K4 R33 K-JUNIOR	1
20	1488998	RYGGRØR 36 TITAN LANG K4 R33 K-JUNIOR	1
21	1488999	RYGGRØR TITAN SB38 LANG K4	1
22	1489000	RYGGRØR TITAN SB40 LANG K4	1
23	1489001	RYGGRØR TITAN SB 42 LANG K4	1
24	1489002	RYGGRØR TITAN SB44 K4	1
25	1511524	(Telescopic back tube standard short, pair)	1
26	1511525	TELESKOP RØR RYGG MEDIUM PAR KUSCHALL	1
27	1511526	(Telescopic back tube standard long, pair)	1
28	1524956	TELESKOPRØR KORT PAR FOR FOLDB.KJØREHÅNDTAK K 4	1
29	1525121	TELESKOPRØR MED. PAR FOR FOLDB.KJØREHÅNDTAK K 4	1
30	1507733	KJØREHÅNDTAK FOLDBARE KUSCHALL CO PAR	1
31	1525122	RYGG RØR KJØREH PAR KORT K SERIE	1

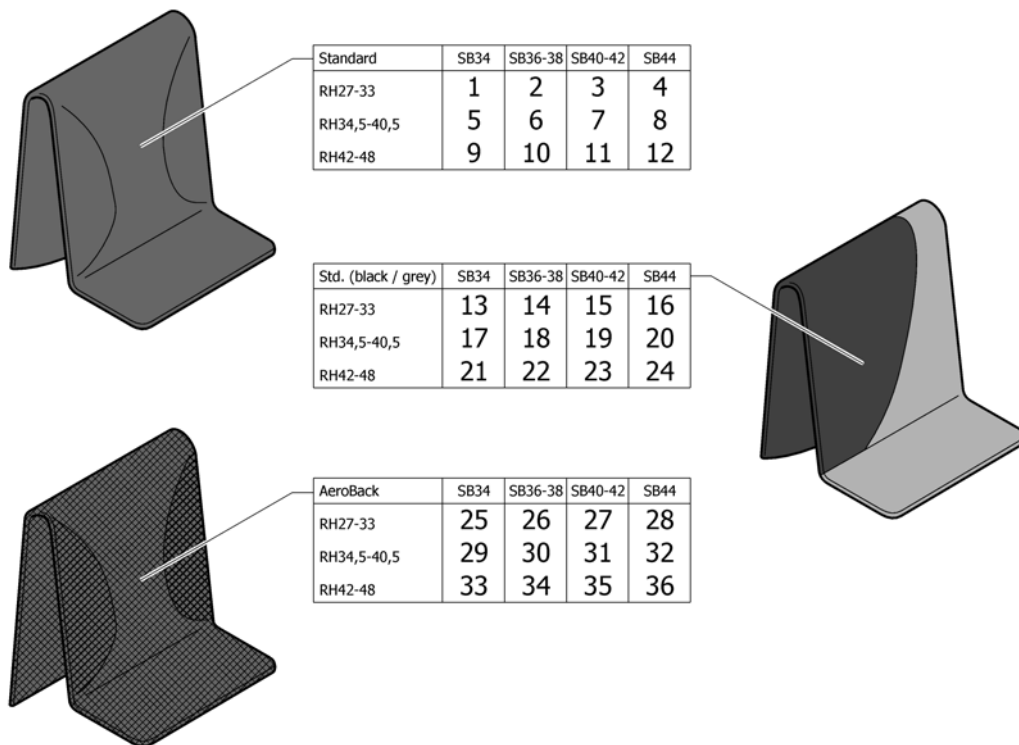
**(Backrest)**

32	1525123	RYGG RØR KJØREH PAR STANDARD LANG K-SERIE		1
33	1525124	RYGG RØR MINI KORT PAR K-SERIES		1
34	1525125	RYGG RØR MINI LANG PAR K-SERIES		1
35	1507734	KJØREHÅNDTAK SVART PLAST PAR KUSCHALL		1
36	1525126	KJØREHÅNDTAK MINI SORT PLAST KUSCHALL		1
37	1509136	SKRUE KIT FOR RYGGRØR KUSCHALL		1
38	1487963-0004	RYGGLEDD PLATE PAR K4 2005-MODELL		1
38	1487963-0182	(Backrest joint plate, pair, champagne)	01.01.2013 →	1
38	1487963-0183	(Backrest joint plate, pair, olive)	01.01.2013 →	1
38	1487963-0001	(Backrest joint plate, pair, chrome)		1
38	1487963-0400	RYGGLEDD PLATE PAR K4 2005-MODELL TECNO		1
38	1487963-0401	(Backrest joint plate, pair, lemon)	01.01.2007 → 31.12.2012	1
38	1487963-0404	RYGGLEDD PLATE PAR K4 2005-MODELL blå		1
38	1487963-0440	(Backrest joint plate, pair, comet red)		1
38	1487963-0441	(Backrest joint plate, pair, arctic blue)		1
39	1487962	RYGGRØR NEDRE DEL PAR K4 ALU 2005 MODELL		1
40	1505352	RYGGRØR NEDRE DEL PAR K4 TITAN 2005 MODELL		1
41	1487964	RYGGLEDD MONT SETT K4 2005-MODELL		1

**(Bands to adjustable backrest)**

1	1513172	VELCROBÅND ENDESTYKKE 5 CM <i>Replaces 1416975</i>	1
2	1513173	VELCROBÅND ENDESTYKKE 10 CM <i>Replaces 1416974</i>	1
3	1513170	VELCROREM 2-DELT 5 CM PAR <i>Replaces 709.1009</i>	1
4	1513171	VELCROBÅND TOPP 10 CM 2-DELT ALLE 2008-> <i>Replaces 709.1018</i>	1
5	1432083	FESTEKIT FOR RYGGBÅND CHAMPION KÜSCHALL	1
6	1513167	VELCROBÅND JUSTERBART M 1 STROPP K4 2008-MOD <i>Replaces 1439291</i>	1
7	1513168	VELCROBÅND JUSTERBART M 2 STROPP COMPACT-2004M <i>Replaces 707.1088</i>	1
8	1513169	VELCROBÅND JUSTERBART M 4 STROPP KUSCHALL <i>Replaces 707.1087</i>	1

## (Cover to adjustable backrest)

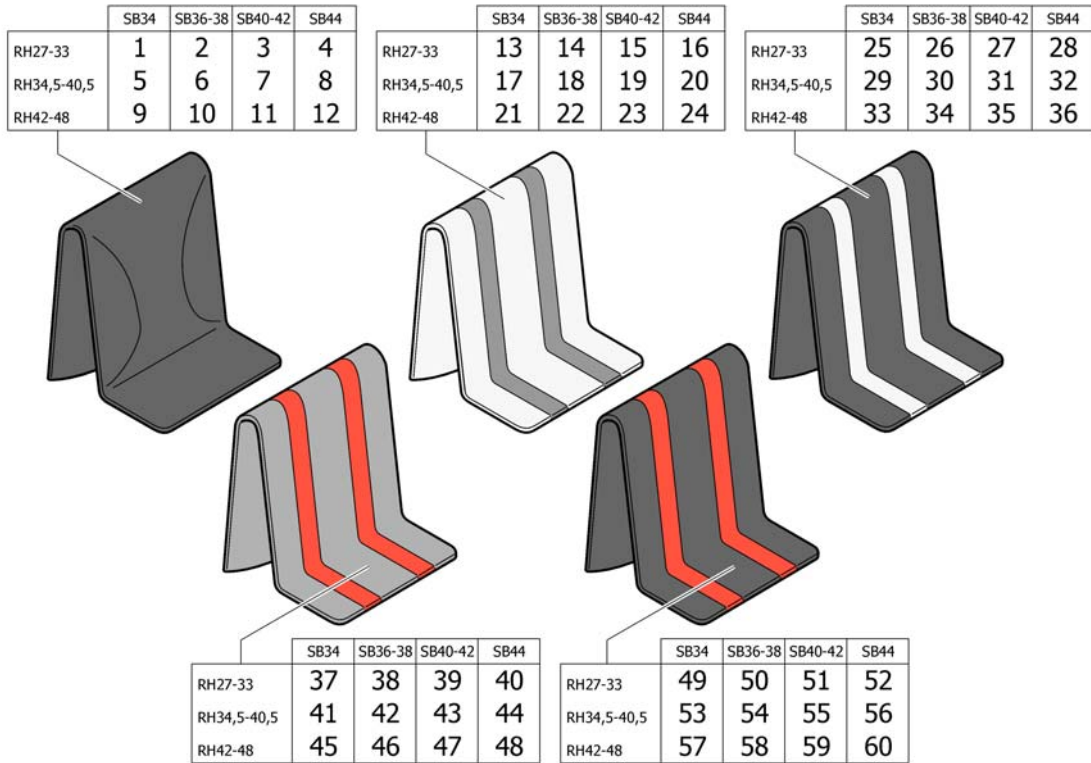


1	1512137	RYGGOVERDRAG STD SB32-34 RH 27-33 <i>Replaces 1438884</i>	01.01.2007 → 31.12.2011	1
2	1512138	RYGGOVERDRAG KORT SB36-38 <i>Replaces 1438886</i>	01.01.2007 → 31.12.2011	1
3	1512139	RYGGOVERDRAG STD SB40-42 KORT <i>Replaces 1438888</i>	01.01.2007 → 31.12.2011	1
4	1512140	RYGGOVERDRAG STD SB44-46 RH 27-33 <i>Replaces 1438890</i>	01.01.2007 → 31.12.2011	1
5	1512144	RYGGOVERDRAG STD SB32-34 KUSCHALL R33 K4 AIRLITE <i>Replaces 1432010</i>	01.01.2007 → 31.12.2011	1
6	1512145	RYGGOVERDRAG STD SB36-38 KUSCHALL R33 K4 AIRLITE <i>Replaces 1432012</i>	01.01.2007 → 31.12.2011	1
7	1512146	RYGGOVERDRAG STD SB40-42 KUSCHALL R33 K4 AIRLITE <i>Replaces 1432014</i>	01.01.2007 → 31.12.2011	1
8	1512147	RYGGOVERDRAG 44-46 MEDIU CHAMPION SB 44 <i>Replaces 1438893</i>	01.01.2007 → 31.12.2011	1
9	1512151	RYGGTREKK SB 32-34 REG RYGG LANG <i>Replaces 1432016</i>	01.01.2007 → 31.12.2011	1
10	1512152	RYGGTREKK SB36-38 LANG FOR VELCRO KUSCHALL <i>Replaces 1432018</i>	01.01.2007 → 31.12.2011	1
11	1512153	RYGGTREKK SB40-42 LANG FOR VELCRO KUSCHALL <i>Replaces 1432020</i>	01.01.2007 → 31.12.2011	1
12	1512154	RYGGTREKK KPL SB44-46 LANG CHAMPION KUSCHALL <i>Replaces 1438896</i>	01.01.2007 → 31.12.2011	1
13	1547153	(Cover black and grey to adjustable backrest, SB32-34, short)	01.01.2012 →	1
14	1547154	(Cover black and grey to adjustable backrest, SB36-38, short)	01.01.2012 →	1

**(Cover to adjustable backrest)**

15	1547155	(Cover black and grey to adjustable backrest, SB40-42, short)	01.01.2012 →	1
16	1547156	(Cover black and grey to adjustable backrest, SB44-46, short)	01.01.2012 →	1
17	1547158	(Cover black and grey to adjustable backrest, SB32-34, medium)	01.01.2012 →	1
18	1547159	(Cover black and grey to adjustable backrest, SB36-38, medium)	01.01.2012 →	1
19	1547160	(Cover black and grey to adjustable backrest, SB40-42, medium)	01.01.2012 →	1
20	1547161	(Cover black and grey to adjustable backrest, SB44-46, medium)	01.01.2012 →	1
21	1547163	(Cover black and grey to adjustable backrest, SB32-34, long)	01.01.2012 →	1
22	1547164	(Cover black and grey to adjustable backrest, SB36-38, long)	01.01.2012 →	1
23	1547165	RYGGOVERDRAG SB40-42 LANG SORT/GRÅ	01.01.2012 →	1
24	1547166	(Cover black and grey to adjustable backrest, SB44-46, long)	01.01.2012 →	1
25	1512156	(Cover 'Aero' to adjustable backrest, SB32-34, short) <i>Replaces 1438446</i>		1
26	1512157	(Cover 'Aero' to adjustable backrest, SB36-38, short) <i>Replaces 1438448</i>		1
27	1512158	RYGGTREKK SB40-42 KORT AEROBACK <i>Replaces 1438450</i>		1
28	1512159	(Cover 'Aero' to adjustable backrest, SB44-46, short) <i>Replaces 1438452</i>		1
29	1512161	RYGGTREKK SB32-34 MEDIUM AEROBACK KUSCHALL <i>Replaces 1438455</i>		1
30	1512162	RYGGTREKK SB36-38 MEDIUM AEROBACK KUSCHALL <i>Replaces 1438457</i>		1
31	1512163	RYGGTREKK SB40-42 MEDIUM AEROBACK KUSCHALL <i>Replaces 1438459</i>		1
32	1512164	RYGGTREKK SB44-46 MEDIUM AEROBACK KUSCHALL <i>Replaces 1438461</i>		1
33	1512166	RYGGTREKK SB 32-34 REG RYGG AERO LANG <i>Replaces 1438464</i>		1
34	1512167	RYGGTREKK AEROBACK SB36-38 LANG VELCRO RYGG <i>Replaces 1438466</i>		1
35	1512168	RYGGTREKK SB40-42 LANG AEROBACK CHAMPION-2008 <i>Replaces 1438468</i>		1
36	1512169	RYGGTREKK SB44-46 LANG AEROBACK KUSCHALL <i>Replaces 1438470</i>		1

**(Cover to adjustable backrest Alcantara)**



1	1517466	(Cover to adjustable backrest Alcantara black SB 34 short) <i>Replaces 1497136</i>	1	
2	1517467	(Cover to adjustable backrest Alcantara black SB 36-38 short) <i>Replaces 1497137</i>	1	
3	1517468	(Cover to adjustable backrest Alcantara black SB 40-42 short) <i>Replaces 1497138</i>	1	
4	1517469	(Cover to adjustable backrest Alcantara black SB 44-46 short) <i>Replaces 1497139</i>	1	
5	1517470	(Cover to adjustable backrest Alcantara black SB 34 medium) <i>Replaces 1497140</i>	1	
6	1517471	(Cover to adjustable backrest Alcantara black SB 36-38 medium) <i>Replaces 1497141</i>	1	
7	1517472	RYGGTR. SB40-42 RH34,5-40,5 ALC. SORT <i>Replaces 1497142</i>	1	
8	1517473	(Cover to adjustable backrest Alcantara black SB 44-46 medium) <i>Replaces 1497143</i>	1	
9	1517474	(Cover to adjustable backrest Alcantara black SB 34 long) <i>Replaces 1497153</i>	1	
10	1517475	(Cover to adjustable backrest Alcantara black SB 36-38 long) <i>Replaces 1497154</i>	1	
11	1517476	(Cover to adjustable backrest Alcantara black SB 40-42 long) <i>Replaces 1497155</i>	1	
12	1517477	(Cover to adjustable backrest Alcantara black SB 44-46 long) <i>Replaces 1497156</i>	1	
13	1517490	(Cover to adjustable backrest Alcantara grey, dark grey SB 34 short) <i>Replaces 1497124</i>	01.01.2007 → 31.12.2011	1
14	1517491	RYGGTR. SB36-38 RH27-33 ALCANTERA,GRÅ STRIPER <i>Replaces 1497125</i>	01.01.2007 → 31.12.2011	1
15	1517492	(Cover to adjustable backrest Alcantara grey, dark grey SB 40-42 short) <i>Replaces 1497126</i>	01.01.2007 → 31.12.2011	1
16	1517493	(Cover to adjustable backrest Alcantara grey, dark grey SB 44 short) <i>Replaces 1497127</i>	01.01.2007 → 31.12.2011	1



**(Cover to adjustable backrest Alcantara)**

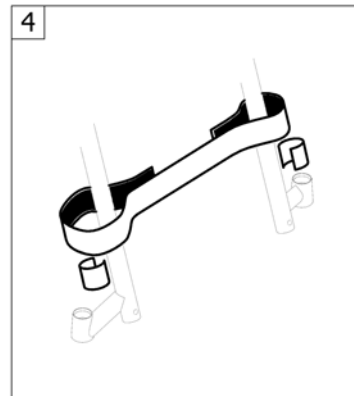
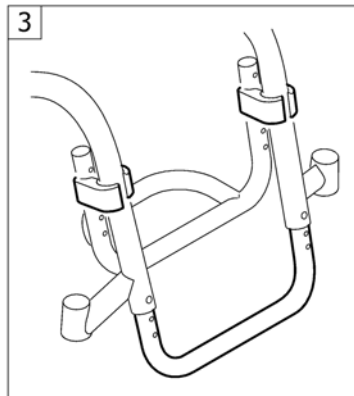
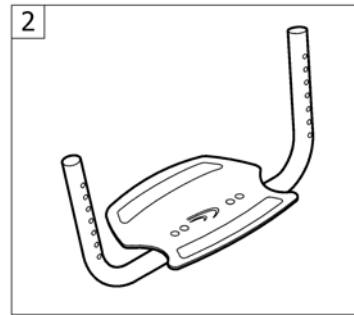
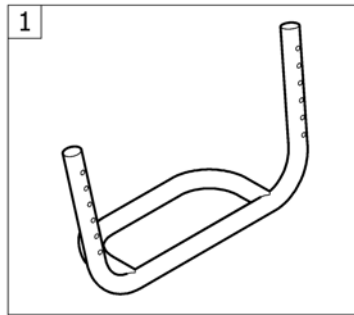
17	1517494	(Cover to adjustable backrest Alcantara grey, dark grey SB 34 medium) <i>Replaces 1497128</i>	01.01.2007 → 31.12.2011	1
18	1517495	RYGGTR. SB36-38 RH27-33 ALCANTERA,GRÅ STRI MEDI <i>Replaces 1497129</i>	01.01.2007 → 31.12.2011	1
19	1517496	(Cover to adjustable backrest Alcantara grey, dark grey SB 40-42 medium) <i>Replaces 1497130</i>	01.01.2007 → 31.12.2011	1
20	1517497	(Cover to adjustable backrest Alcantara grey, dark grey SB 44 medium) <i>Replaces 1497131</i>	01.01.2007 → 31.12.2011	1
21	1517498	(Cover to adjustable backrest Alcantara grey, dark grey SB 34 long) <i>Replaces 1497132</i>	01.01.2007 → 31.12.2011	1
22	1517499	(Cover to adjustable backrest Alcantara grey, dark grey SB 36-38 long) <i>Replaces 1497133</i>	01.01.2007 → 31.12.2011	1
23	1517500	(Cover to adjustable backrest Alcantara grey, dark grey SB 40-42 long) <i>Replaces 1497134</i>	01.01.2007 → 31.12.2011	1
24	1517501	(Cover to adjustable backrest Alcantara grey, dark grey SB 44 long) <i>Replaces 1497135</i>	01.01.2007 → 31.12.2011	1
25	1542689	(Cover to adjustable backrest Alcantara black, grey SB 34 short)	01.07.2010 →	1
26	1542690	(Cover to adjustable backrest Alcantara black, grey SB 36-38 short)	01.07.2010 →	1
27	1542691	(Cover to adjustable backrest Alcantara black, grey SB 40-42 short)	01.07.2010 →	1
28	1542692	(Cover to adjustable backrest Alcantara black, grey SB 44 short)	01.07.2010 →	1
29	1542693	(Cover to adjustable backrest Alcantara black, grey SB 34 medium)	01.07.2010 →	1
30	1542694	RYGGTREKK R33 SB36-38 ALCANTARA SORT GRÅ MEDIU	01.07.2010 →	1
31	1542695	(Cover to adjustable backrest Alcantara black, grey SB 40-42 medium)	01.07.2010 →	1
32	1542696	(Cover to adjustable backrest Alcantara black, grey SB 44 medium)	01.07.2010 →	1
33	1542697	(Cover to adjustable backrest Alcantara black, grey SB 34 long)	01.07.2010 →	1
34	1542698	(Cover to adjustable backrest Alcantara black, grey SB 36-38 long)	01.07.2010 →	1
35	1542699	(Cover to adjustable backrest Alcantara black, grey SB 40-42 long)	01.07.2010 →	1
36	1542700	RYGGTREKK R33 SB 44 ALCANTARA SORT GRÅ	01.07.2010 →	1
37	1517478	(Cover to adjustable backrest Alcantara grey, red SB 34 short) <i>Replaces 1497112</i>		1
38	1517479	(Cover to adjustable backrest Alcantara grey, red SB 36-38 short) <i>Replaces 1497113</i>		1
39	1517480	(Cover to adjustable backrest Alcantara grey, red SB 40-42 short) <i>Replaces 1497114</i>		1
40	1517481	(Cover to adjustable backrest Alcantara grey, red SB 44 short) <i>Replaces 1497115</i>		1
41	1517482	(Cover to adjustable backrest Alcantara grey, red SB 34 medium) <i>Replaces 1497116</i>		1
42	1517483	(Cover to adjustable backrest Alcantara grey, red SB 36-38 medium) <i>Replaces 1497117</i>		1
43	1517484	(Cover to adjustable backrest Alcantara grey, red SB 40-42 medium) <i>Replaces 1497118</i>		1
44	1517485	(Cover to adjustable backrest Alcantara grey, red SB 44 medium) <i>Replaces 1497119</i>		1
45	1517486	(Cover to adjustable backrest Alcantara grey, red SB 34 long) <i>Replaces 1497120</i>		1
46	1517487	(Cover to adjustable backrest Alcantara grey, red SB 36-38 long) <i>Replaces 1497121</i>		1
47	1517488	(Cover to adjustable backrest Alcantara grey, red SB 40-42 long) <i>Replaces 1497122</i>		1
48	1517489	(Cover to adjustable backrest Alcantara grey, red SB 44 long) <i>Replaces 1497123</i>		1
49	1517502	(Cover to adjustable backrest Alcantara black, red SB 34 short)	01.01.2008 →	1
50	1517503	(Cover to adjustable backrest Alcantara black, red SB 36-38 short)	01.01.2008 →	1
51	1517504	RYGGTREKK SB40-42 RH27-33 RØDT/SORT R33	01.01.2008 →	1

**(Cover to adjustable backrest Alcantara)**

---

52	1517505	(Cover to adjustable backrest Alcantara black, red SB 44 short)	01.01.2008 →	1
53	1517506	(Cover to adjustable backrest Alcantara black, red SB 34 medium)	01.01.2008 →	1
54	1517507	(Cover to adjustable backrest Alcantara black, red SB 36-38 medium)	01.01.2008 →	1
55	1517508	(Cover to adjustable backrest Alcantara black, red SB 40-42 medium)	01.01.2008 →	1
56	1517509	(Cover to adjustable backrest Alcantara black, red SB 44 medium)	01.01.2008 →	1
57	1517510	(Cover to adjustable backrest Alcantara black, red SB 34 long)	01.01.2008 →	1
58	1517511	(Cover to adjustable backrest Alcantara black, red SB 36-38 long)	01.01.2008 →	1
59	1517512	(Cover to adjustable backrest Alcantara black, red SB 40-42 long)	01.01.2008 →	1
60	1517513	RYGGTREKK R33 SB 44 ALCANTARA SORT RØD	01.01.2008 →	1

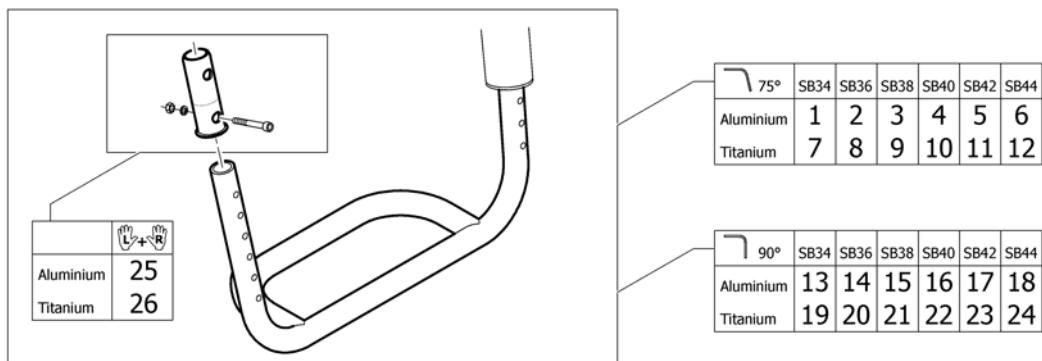
# Fotplate




---

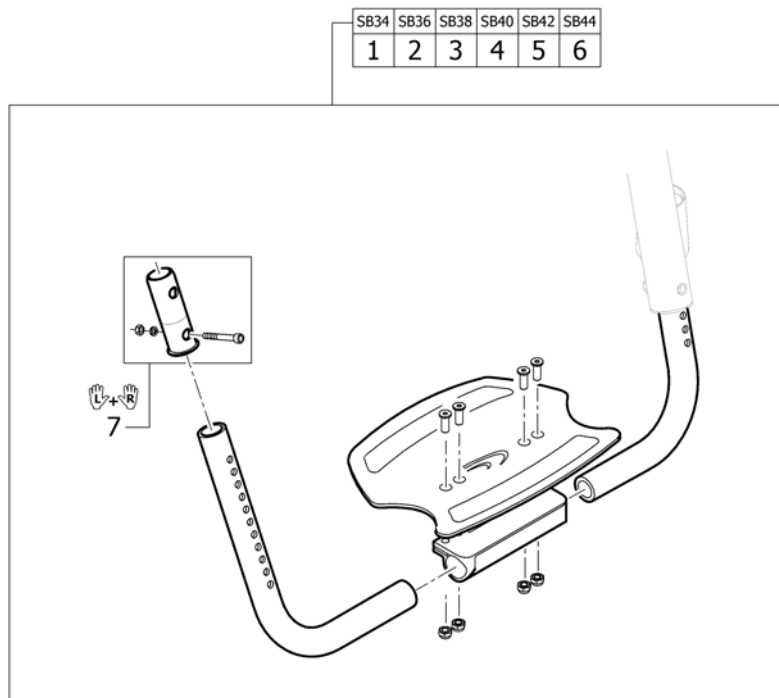
1	-	(Footrest standard)	1
2	-	(Footrest angle adjustable)	1
3	-	(Footrest mounted in high position)	1
4	-	(Calf strap)	1

**(Footrest standard)**



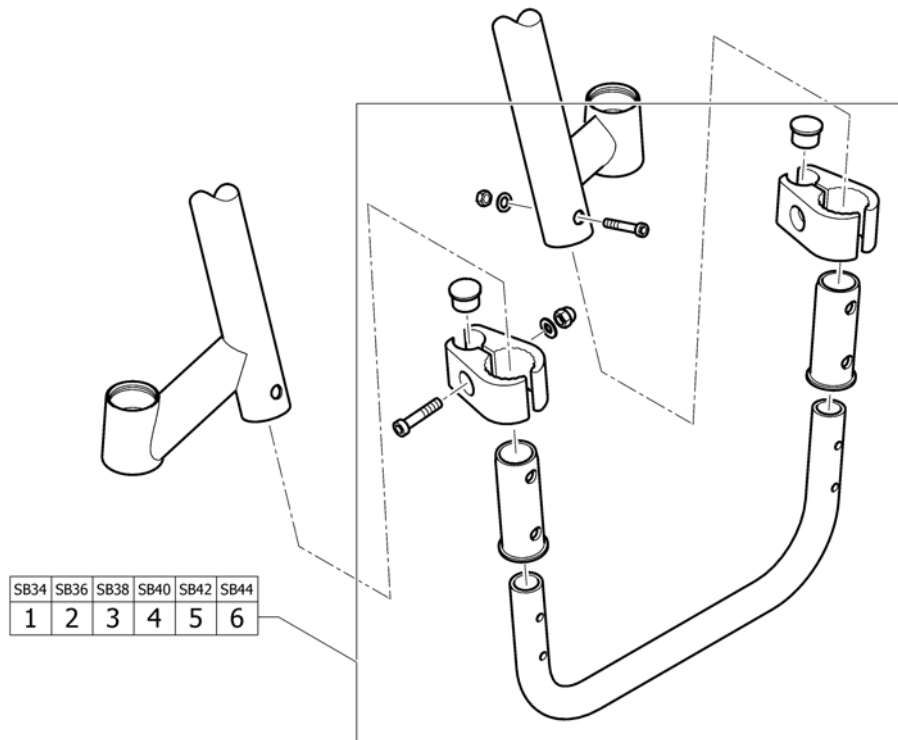
1	1505353	(Footrest 75° SB34 Alu)	1
2	1505354	FOTBØYLE 75G SB 36 ALU R33 KUSCHALL	1
3	1505355	(Footrest 75° SB38 Alu)	1
4	1505356	(Footrest 75° SB40 Alu)	1
5	1505357	(Footrest 75° SB42 Alu)	1
6	1505358	FOTBØYLE 75G SB 44 ALU R33 KUSCHALL	1
7	1505365	(Footrest 75° SB34 Titan)	1
8	1505366	(Footrest 75° SB36 Titan)	1
9	1505367	(Footrest 75° SB38 Titan)	1
10	1505368	FOTBØYLE 75G SB 40 TITAN R33 KUSCHALL	1
11	1505369	FOTBØYLE 75G SB 42 TITAN R33 KUSCHALL	1
12	1505370	(Footrest 75° SB44 Titan)	1
13	1505359	(Footrest 90° SB34 Alu)	1
14	1505360	(Footrest 90° SB36 Alu)	1
15	1505361	(Footrest 90° SB38 Alu)	1
16	1505362	(Footrest 90° SB40 Alu)	1
17	1505363	FOTBØYLE 90G SB 42 ALUMINIUM R33 KUSCHALL	1
18	1505364	(Footrest 90° SB44 Alu)	1
19	1505371	(Footrest 90° SB34 Titan)	1
20	1505372	FOTPLATE SB36 TITAN 90G KUSCHALL R33	1
21	1505373	(Footrest 90° SB38 Titan)	1
22	1505374	(Footrest 90° SB40 Titan)	1
23	1505375	(Footrest 90° SB42 Titan)	1
24	1505376	(Footrest 90° SB44 Titan)	1
25	1532398	(Fixation kit footplate telescope)	1
26	1451717	FESTE FOTBØYLE TITAN K4	1

**(Footrest angle adjustable)**



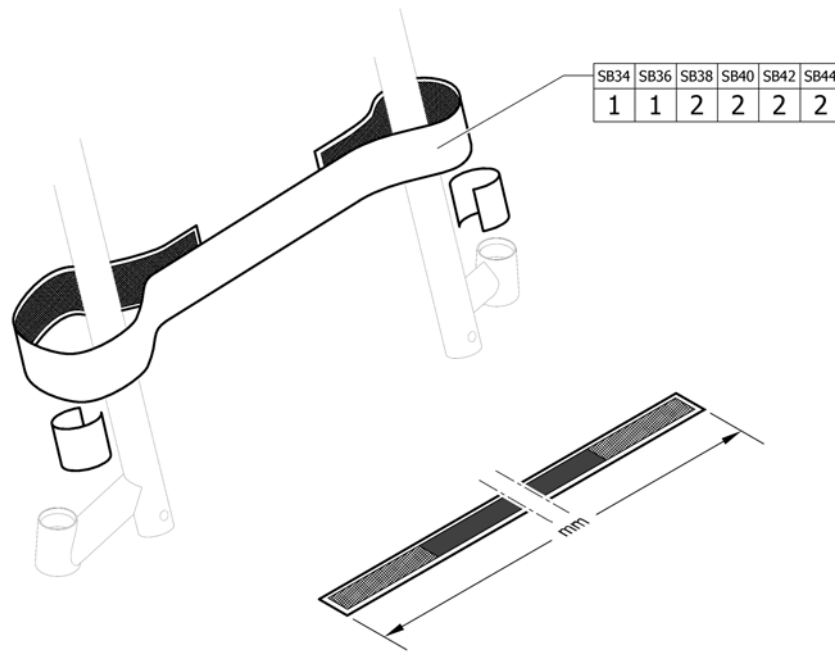
1	1505377	(Footrest, angle adjustable SB34)	1
2	1505378	FOTPLATE SB36 CARB VINKELREG KUSCHALL R33	1
3	1505379	(Footrest, angle adjustable SB38)	1
4	1505380	FOTPLATE VINKEL JUST. SB40 R33 KUSCHALL	1
5	1505381	FOTPLATE VINKEL JUST. SB 42 R33 KUSCHALL	1
6	1505382	FOTPLATE VINKEL JUST. SB44 R33 KUSCHALL	1
7	1532398	(Fixation kit footplate telescope)	1

**(Footrest mounted in high position)**



1	1505383	(Tube set for footrest, mounted in high position, SB34)	1
2	1505384	(Tube set for footrest, mounted in high position, SB36)	1
3	1505385	(Tube set for footrest, mounted in high position, SB38)	1
4	1505386	(Tube set for footrest, mounted in high position, SB40)	1
5	1505387	(Tube set for footrest, mounted in high position, SB42)	1
6	1505388	(Tube set for footrest, mounted in high position, SB44)	1

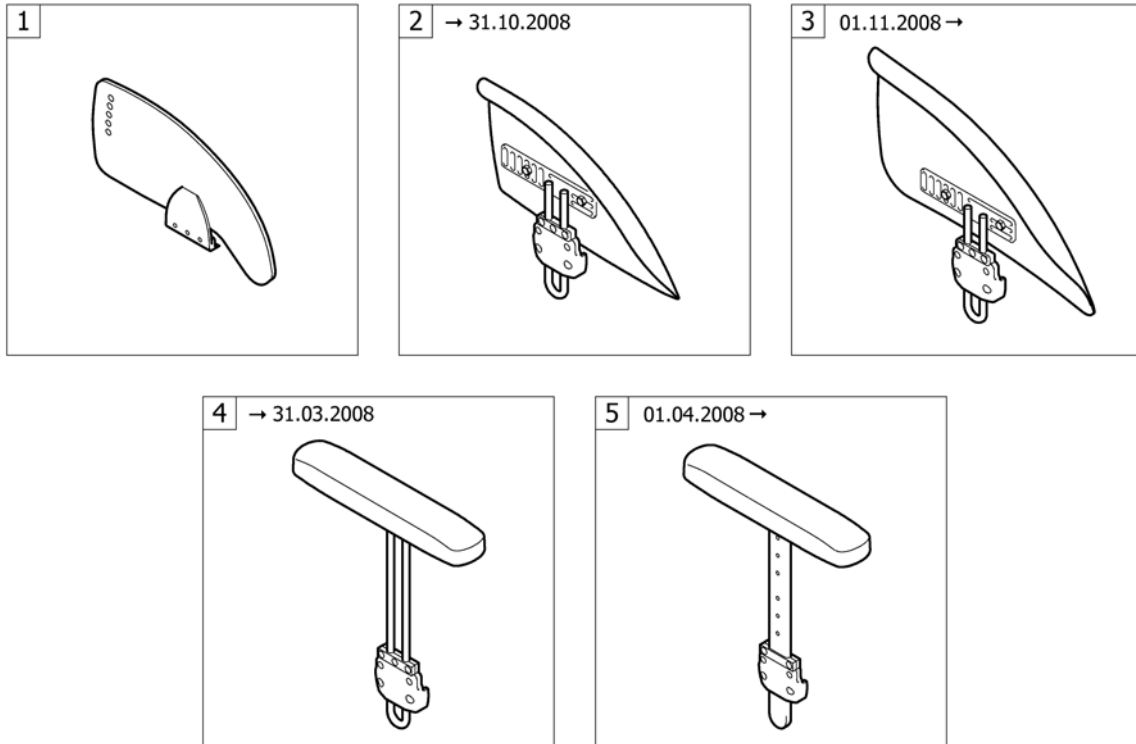
**(Calf strap)**




---

1	1561528	(Calf strap complete, 780mm)	1
2	1561529	LEGGBÄND HELT 940MM KUSCHALL	1

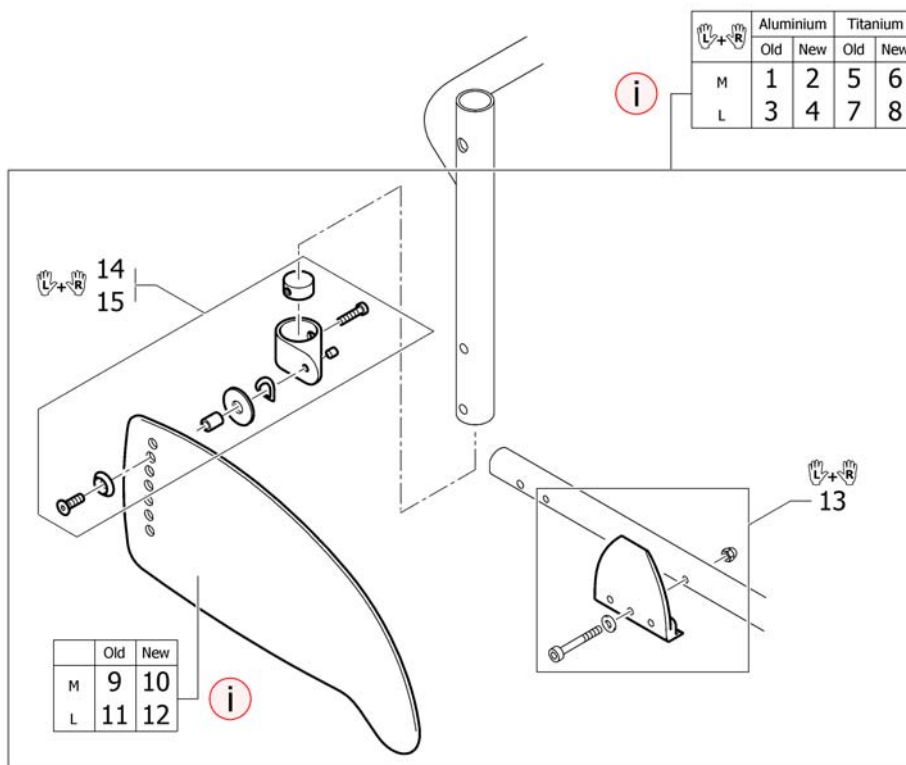
# Armlen




---

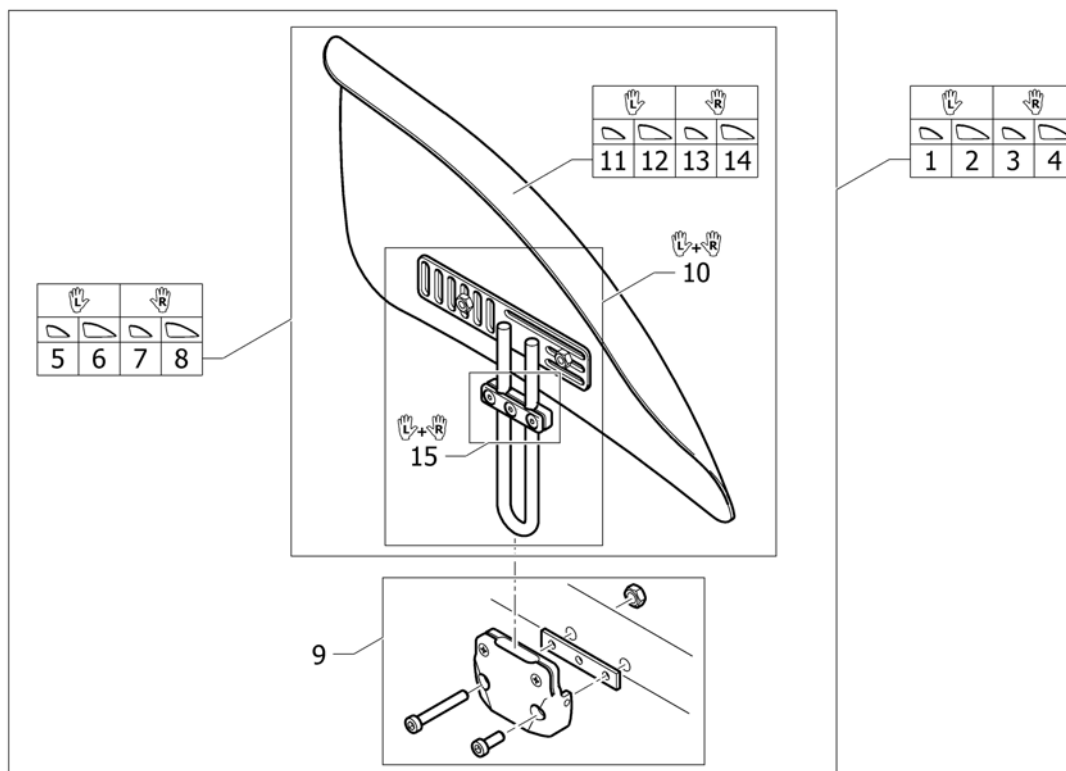
1	-	(Clothes-guards)		1
3	-	(Mudguards 01.11.2008=>)		1
5	-	(Siderest height adjustable 01.04.2008=>)	→ 31.12.2014	1





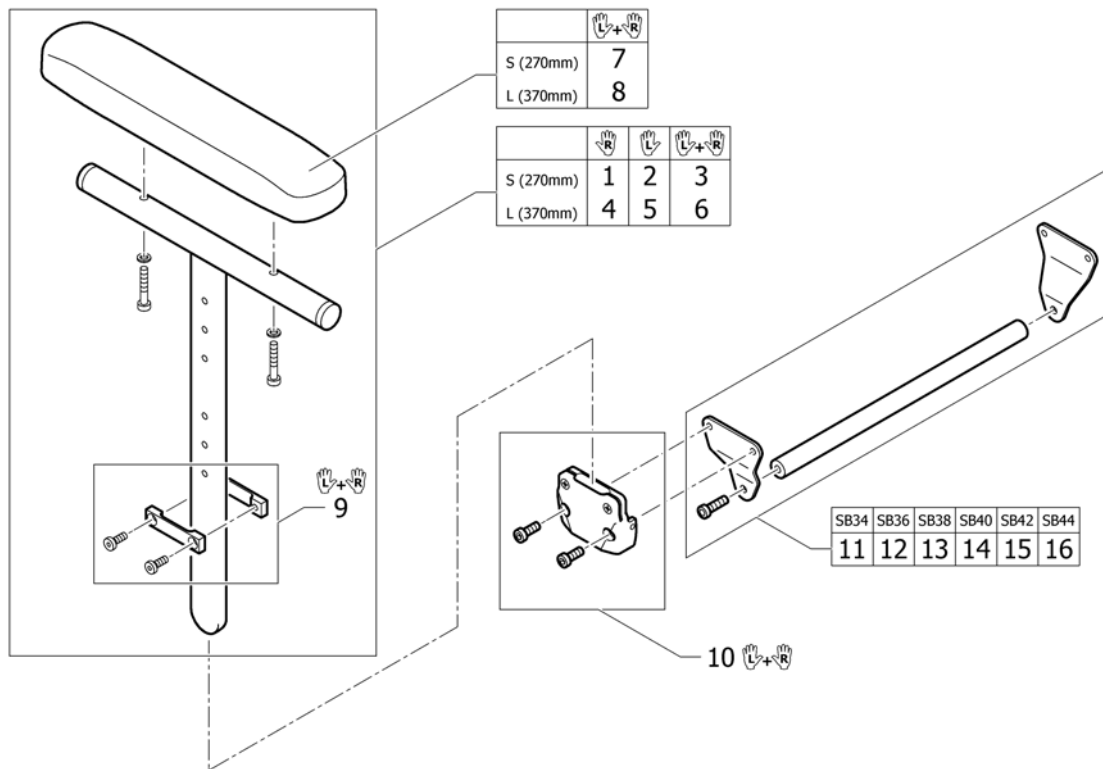
i	-	(New design with improved profile ensures better coverage. Recommended as a pair.)		0
2	1578798	(Clothes-guards Carbon M with fixation kit to backrest Aluminium, pair)	01.03.2009 →	1
4	1578799	(Clothes-guards Carbon L with fixation kit to backrest Aluminium, pair)	11.12.2008 →	1
6	1578796	(Clothes-guards Carbon M with fixation kit to backrest Titan, pair)	01.03.2009 →	1
8	1578797	(Clothes-guards Carbon L with fixation kit to backrest Titan, pair)	11.12.2008 →	1
10	1547461	(Clothes-guard carbon M)	01.03.2009 →	2
12	1547462	(Clothes-guard carbon L)	11.12.2008 →	2
13	1505389	FESTE RAMME R33 KUSCHALL		1
14	1451722	HOLDER KIT KLESBESKYTTER PÅ RYGGRØR K4		1
15	1505390	HOLDER KIT KLESBESKYTTER PÅ RYGGRØR K4 TITAN		1

**(Mudguards 01.11.2008=>)**



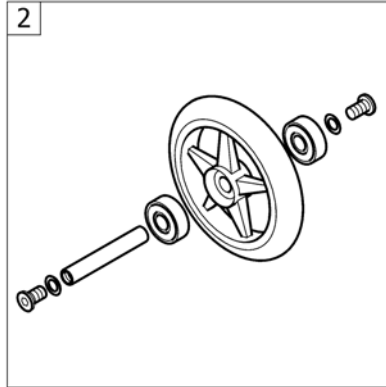
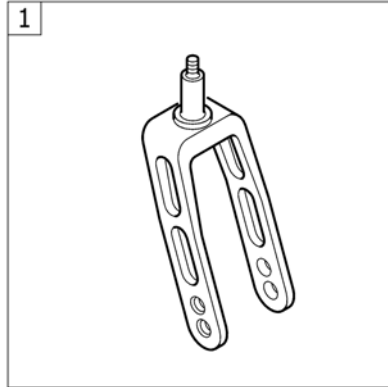
1	1529308	HJULSKJERM KARBON VE M KORT KPL.M RAMMEFE.K-SER	01.11.2008 →	1
2	1529309	HJULSKJERM KARBON VE L KORT KPL.M RAMMEF K-SERI	01.11.2008 →	1
3	1529310	HJULSKJERM KARBON HØ M KORT KPL.M RAMMEFE.K-SER	01.11.2008 →	1
4	1529311	HJULSKJERM KARBON HØ L KORT KPL.M RAMMEF.K-SERI	01.11.2008 →	1
5	1529300	HJULSKJERM KARBON VE MEDIUM KORT KUSCHALL	01.11.2008 →	1
6	1529301	HJULSKJERM KARBON HØ STOR KORT KUSCHALL	01.11.2008 →	1
7	1529302	HJULSKJERM KARBON HØ MEDIUM KORT KUSCHALL	01.11.2008 →	1
8	1529303	HJULSKJERM KARBON VE STOR KORT KUSCHALL	01.11.2008 →	1
9	1451727	HOLDER HJULSKJERM RAMME K4 2006->		1
10	1451728	MONT SETT HJULSKJERM PAR KORT K4 2006->		1
11	1510275	HJULSKJERM KARBON HØ MEDIUM KUSCHALL	01.11.2008 →	1
12	1510277	HJULSKJERM KARBON VE LARGE KUSCHALL	01.11.2008 →	1
13	1510276	HJULSKJERM KARBON VE MEDIUM KUSCHALL	01.11.2008 →	1
14	1510278	HJULSKJERM KARBON HØ LARGE KUSCHALL	01.11.2008 →	1
15	1437465	FIKSERINGSSETT ARMLEN FUSION PAR		1

**(Siderest height adjustable 01.04.2008=>)**



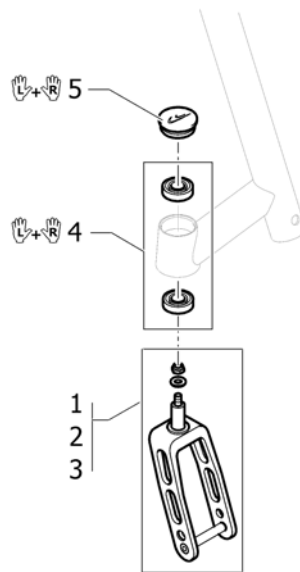
1	1517677	ARMLÉN KORT HREG HØ CO UL 1.4.8->	01.04.2008 → 31.12.2014	1
2	1517678	ARMLÉN KORT HREG VE CO UL	01.04.2008 → 31.12.2014	1
3	1517682	ARMLÉNE REG KORT PAR	01.04.2008 → 31.12.2014	1
4	1517679	ARMLÉN HREG HØ LANGT POLSTER CO UL FU 1.4.8->	01.04.2008 → 31.12.2014	1
5	1517680	ARMLÉN HREG VE LANGT POLSTER CO UL FU 1.4.8->	01.04.2008 → 31.12.2014	1
6	1517683	ARMLÉN LONG HREG PAR	01.04.2008 → 31.12.2014	1
7	1439497	ARMLÉNSPOLSTER KORT 27 C CO UL 2004 -> PAR	→ 31.12.2014	1
8	1439498	ARMLÉNSPOLSTER LANG CO UL 2004-> PAR 36CM.	→ 31.12.2014	1
9	1517681	FESTE FOR HREG ARMLÉN PAR	→ 31.12.2014	1
10	1505391	HOLDER ARMLÉN TIL RAMME PAR KUSCHALL K OG RS33	→ 31.12.2014	1
11	1505433	(Bracket kit for siderest SB34)	→ 31.12.2014	1
12	1505434	FESTESETT FOR ARMLÉN SB 36 KUSCHALL	→ 31.12.2014	1
13	1505561	FESTESETT FOR ARMLÉN SB 38 KUSCHALL	→ 31.12.2014	1
14	1505562	FESTESETT FOR ARMLÉN SB 40 KUSCHALL	→ 31.12.2014	1
15	1505563	FESTESETT FOR ARMLÉN SB 42 KUSCHALL R33	→ 31.12.2014	1
16	1505564	FESTESETT FOR ARMLÉN SB 44 KUSCHALL R33	→ 31.12.2014	1

# Sving-og Drivhjul



---

1	-	(Front wheel supporter)	1
2	-	(Front wheels)	1



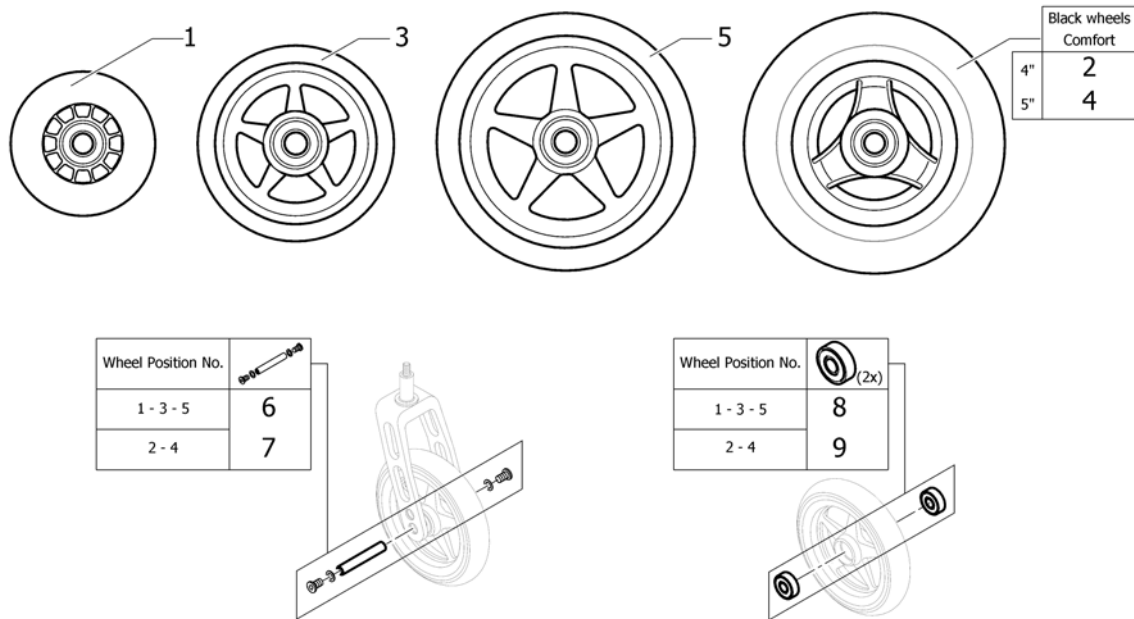
1	1432004-0004	GAFFEL 5 SVART KOMPLETT K-4 AIRLITE		2
1	1432004-0001	(Front fork 5" with bolt, chrome)		2
1	1432004-0182	(Front fork 5" with bolt, champagne)	01.01.2013 →	2
1	1432004-0183	(Front fork 5" with bolt, olive)	01.01.2013 →	2
1	1432004-0400	GAFFEL 5 ANTRASITT KPL FUSION CHAMPION 2003		2
1	1432004-0401	GAFFEL 5 BOLT SITRON	01.01.2007 → 31.12.2012	2
1	1432004-0404	GAFFEL 5 BLÅ KOMPLETT CHAMPION/K-SERIEN 2003->		2
1	1432004-0440	GAFFEL 5 BOLT COMET		2
1	1432004-0441	(Front fork 5" with bolt, arctic blue)		2
2	1432005-0004	GAFFEL 6 SVART KPL CHAMP COMP/ULTRALIGHT 2003		2
2	1432005-0001	(Front fork 6" with bolt, chrome)		2
2	1432005-0182	(Front fork 6" with bolt, champagne)	01.01.2013 →	2
2	1432005-0183	(Front fork 6" with bolt, olive)	01.01.2013 →	2
2	1432005-0400	GAFFEL 6 ANTRASITT KPL FUSION CHAMPION 2003		2
2	1432005-0401	GAFFEL 6 BOLT SITRON	01.01.2007 → 31.12.2012	2
2	1432005-0404	GAFFEL 6 BOLT B-BLÅ		2
2	1432005-0440	GAFFEL 6 COMET RED KOMPLETT COMP/ULTR		2
2	1432005-0441	(Front fork 6" with bolt, arctic blue)		2
3	1432006-0004	GAFFEL 8 SVART KOMPLETT FUSION K4		2
3	1432006-0001	(Front fork 8" with bolt, chrome)		2
3	1432006-0182	(Front fork 8" with bolt, champagne)	01.01.2013 →	2
3	1432006-0183	(Front fork 8" with bolt, olive)	01.01.2013 →	2
3	1432006-0400	GAFFEL 8 ANTRASITT KPL		2
3	1432006-0401	GAFFEL 8 BOLT SITRON	01.01.2007 → 31.12.2012	2
3	1432006-0404	GAFFEL 8 BOLT B-BLÅ		2
3	1432006-0440	GAFFEL 8 BOLT COMET		2
3	1432006-0441	(Front fork 8" with bolt, arctic blue)		2
4	1451718	KULELAGER KO5 KUSCHALL		1
5	1487961-0004	STØVKAPPE GAFFELHUS SORT KUSCHALL K4 PAR		1

**(Front wheel supporter)**

---

5	1487961-0001	(Bearing block cap pair, chrome)		1
5	1487961-0182	(Bearing block cap pair, champagne)	01.01.2013 →	1
5	1487961-0183	(Bearing block cap pair, olive)	01.01.2013 →	1
5	1487961-0400	(Bearing block cap pair, techno-anthrazit)		1
5	1487961-0401	(Bearing block cap pair, lemon)	01.01.2007 → 31.12.2012	1
5	1487961-0404	STØVKAPPE GAFFELHUS BLÅ KUSCHALL K4 PAR		1
5	1487961-0440	(Bearing block cap pair, comet red)		1
5	1487961-0441	(Bearing block cap pair, arctic blue)		1

**(Front wheels)**



Black wheels	
Comfort	
4"	2
5"	4

Wheel Position No.	
1 - 3 - 5	6
2 - 4	7

Wheel Position No.	(2x)
1 - 3 - 5	8
2 - 4	9

1	1513180	SVINGHJUL 3 KPL PLUS AKSLING 1420972 <i>Replaces 732.1026</i>		2
2	1561139	(4" Comfort wheel, black)	01.07.2012 →	2
3	1513183-0408	SVINGHJUL 4 STAREC SORT KUSCHALL <i>Replaces 1420968-0408</i>		2
3	1513183-0001	(4" Starec wheel, chrome)	01.07.2011 →	2
3	1513183-0182	(4" Starec wheel, champagne)	01.01.2013 →	2
3	1513183-0183	(4" Starec wheel, olive)	01.01.2013 →	2
3	1513183-0400	SVINGHJUL 4 STAREC TECHNO-ANTHRACITE <i>Replaces 1420968-0400</i>		2
3	1513183-0401	SVINGHJUL 4 STAREC LEMON KUSCHALL  <i>Replaces 1420968-0401</i>	01.01.2007 → 31.12.2012	2
3	1513183-0404	SVINGHJUL 4 STAREC B-BLÅ KUSCHALL <i>Replaces 1420968-0404</i>		2
3	1513183-0440	SVINGHJUL 4 STAREC COMET RØD <i>Replaces 1420968-0440</i>		2
3	1513183-0441	(4" Starec wheel, arctic blue) <i>Replaces 1420968-0441</i>		2
4	1542640	SVINGHJUL 5 SORT 4 CM KUSCHALL COMFORT <i>Replaces 1513186</i>		2
5	1513187-0408	SVINGHJUL 5 STAREC KUSCHALL SVART <i>Replaces 732.1032.961</i>		2
5	1513187-0001	(5" Starec wheel, chrome)	01.07.2011 →	2
5	1513187-0182	(5" Starec wheel, champagne)	01.01.2013 →	2
5	1513187-0183	(5" Starec wheel, olive)	01.01.2013 →	2
5	1513187-0400	SVINGHJUL 5 STAREC KUSCHALL TECHNO-ANTRACIT <i>Replaces 732.1032.950</i>		2
5	1513187-0401	SVINGHJUL 5 STAREC LEMON KUSCHALL  <i>Replaces 732.1032.951</i>	01.01.2007 → 31.12.2012	2
5	1513187-0404	SVINGHJUL 5 STAREC KUSCHALL B-BLUE <i>Replaces 732.1032.957</i>		2
5	1513187-0440	SVINGHJUL 5 STAREC COMET RØD <i>Replaces 732.1032-0440</i>		2

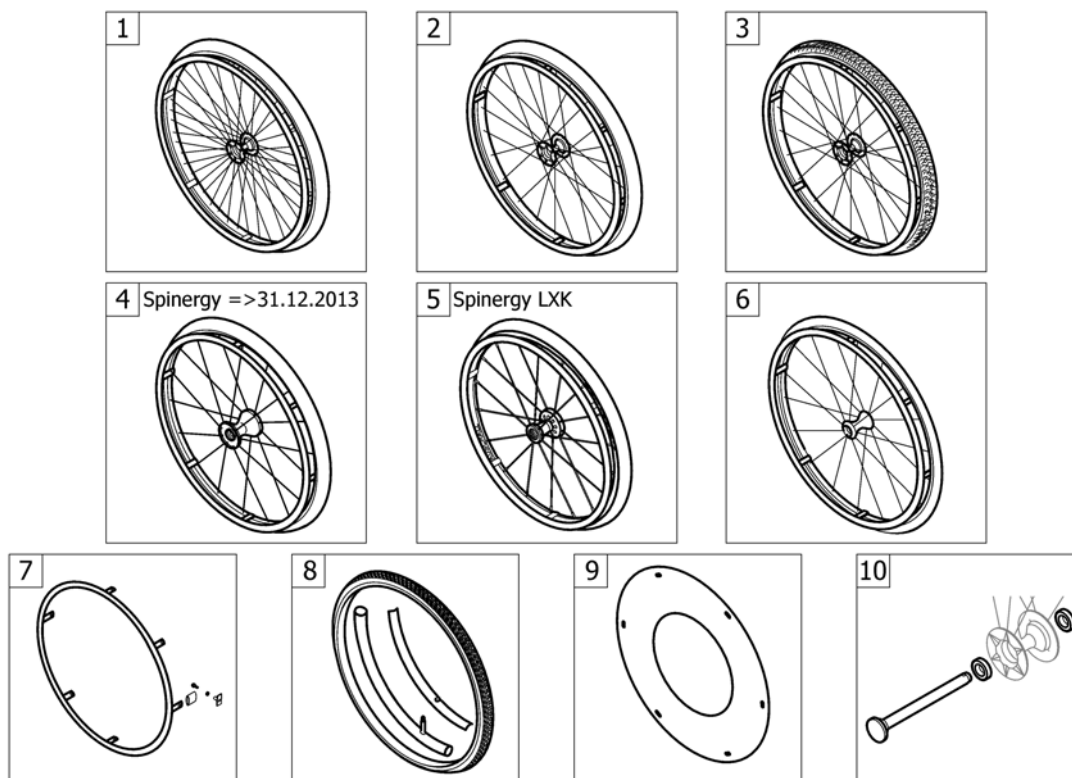
## (Front wheels)

---

5	1513187-0441	SVINGHJUL 5" STAREC ARCTIC BLÅ <i>Replaces 732.1032-0441</i>	2
6	1420972	AKSLINGSETT KPL STAREC/SKATE HJUL	2
7	1570108	AKSELSETT SVINGHJUL U DISTANSESKIVER	2
8	1570104	KULELAGER 8/22X7 KUSCHALL	2
9	1570105	KULELAGER PAR KUSCHALL 6000-2RS	2

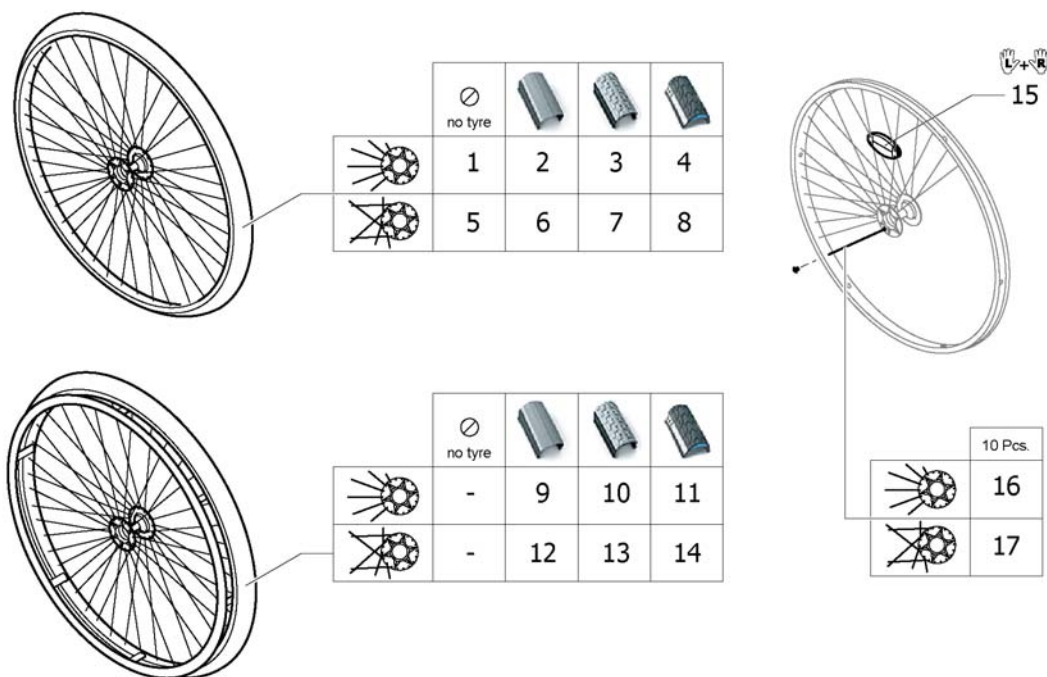


# Drivhjul



1	-	(Küschall Starec wheels)		1
2	-	(High Performance wheel)		1
3	-	(Mountain bike wheel)		1
4	-	(Spinerger wheel)	01.01.2007 → 31.12.2013	1
5	-	(Spinerger LXX wheel)	01.01.2014 →	1
6	-	(Ultra-light fibre wheel)	01.07.2011 → 31.12.2013	1
7	-	(Handrim)		1
8	-	(Tyre)		1
9	-	(Spokes guard)		1
10	-	(Quick release axle and bearing)		1

# (Küschall Starec wheels)



1	1567103-0407	(Rear wheel 24" Starec R, colourless, without handrim, without tyre) <i>Replaces 904.1082</i>	01.01.2007 → 31.12.2014	2
1	1567103-0001	(Rear wheel 24" Starec R, chrome, without handrim, without tyre) <i>Replaces 904.1082-0001</i>	01.07.2011 → 31.12.2014	2
1	1567103-0182	(Rear wheel 24" Starec R, champagne, without handrim, without tyre)	01.01.2013 → 31.12.2014	2
1	1567103-0183	(Rear wheel 24" Starec R, olive, without handrim, without tyre)	01.01.2013 → 31.12.2014	2
1	1567103-0400	(Rear wheel 24" Starec R, tecno, without handrim, without tyre) <i>Replaces 904.1082.950</i>	01.01.2007 → 31.12.2014	2
1	1567103-0401	(Rear wheel 24" Starec R, lemon, without handrim, without tyre) <i>Replaces 904.1082.951</i>	01.01.2007 → 31.12.2012	2
1	1567103-0404	(Rear wheel 24" Starec R, b-blue, without handrim, without tyre) <i>Replaces 904.1082.957</i>	01.01.2007 → 31.12.2014	2
1	1567103-0440	(Rear wheel 24" Starec R, comet red, without handrim, without tyre) <i>Replaces 904.1082-0440</i>	01.01.2007 → 31.12.2014	2
1	1567103-0441	(Rear wheel 24" Starec R, arctic blue, without handrim, without tyre) <i>Replaces 904.1082-0441</i>	01.01.2007 → 31.12.2014	2
2	904.1161	DRIVHJUL 24 STAREC NAV RADIAL M DEKK U DRIVR	01.01.2007 → 31.12.2014	2
3	904.1160	DRIVHJUL 24 STAREC NAV U TEN DRIVR TREAD	01.01.2007 → 31.12.2014	2
4	1554397-0407	(Rear wheel 24", Starec R, colourless, without handrim, marathon evolution)	01.01.2007 → 31.12.2014	2
4	1554397-0001	(Rear wheel 24" Starec R, chrome, without handrim, marathon evolution)	01.07.2011 → 31.12.2014	2
4	1554397-0182	(Rear wheel 24" Starec R, champagne, without handrim, marathon evolution)	01.01.2013 → 31.12.2014	2
4	1554397-0183	(Rear wheel 24" Starec R, olive, without handrim, marathon evolution)	01.01.2013 → 31.12.2014	2

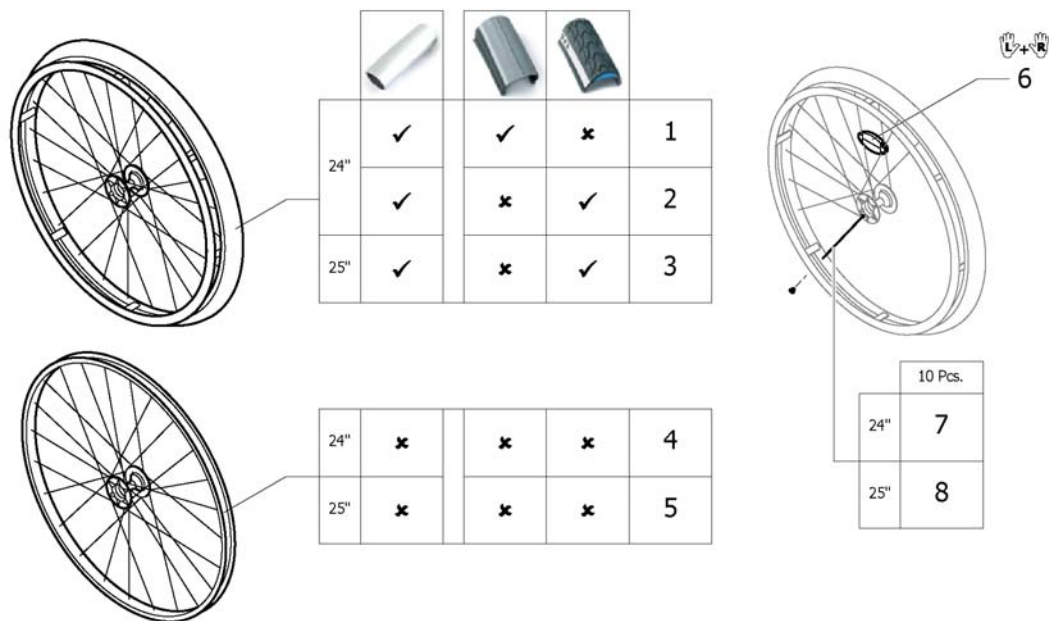
**(Küschall Starec wheels)**

4	1554397-0400	(Rear wheel 24" Starec R, tecno, without handrim, marathon evolution)	01.01.2007 → 31.12.2014	2
4	1554397-0401	(Rear wheel 24" Starec R, lemon, without handrim, marathon evolution)	01.01.2007 → 31.12.2012	2
4	1554397-0404	(Rear wheel 24" Starec R, b-blue, without handrim, marathon evolution)	01.01.2007 → 31.12.2014	2
4	1554397-0440	(Rear wheel 24" Starec R, comet red, without handrim, marathon evolution)	01.01.2007 → 31.12.2014	2
4	1554397-0441	(Rear wheel 24" Starec R, arctic blue, without handrim, marathon evolution)	01.01.2007 → 31.12.2014	2
5	1567104-0407	DRIVHJUL 24 STAREC U/DRIVR U/DEKK U/FARGE <i>Replaces 1416885</i>		2
5	1567104-0001	(Rear wheel 24", Starec X, chrome, without handrim, without tyre) <i>Replaces 904.1132-0001</i>	01.07.2011 →	2
5	1567104-0182	(Rear wheel 24", Starec X, champagne, without handrim, without tyre)	01.01.2013 →	2
5	1567104-0183	(Rear wheel 24" Starec X, olive, without handrim, without tyre)	01.01.2013 →	2
5	1567104-0400	(Rear wheel 24" Starec X, Tecno, without handrim, without tyre) <i>Replaces 904.1132.950</i>		2
5	1567104-0401	(Rear wheel 24" Starec X, Lemon, without handrim, without tyre) <i>Replaces 904.1132.951</i>	01.01.2007 → 31.12.2012	2
5	1567104-0404	(Rear wheel 24" Starec X, B-blue, without handrim, without tyre) <i>Replaces 904.1132.957</i>		2
5	1567104-0440	(Rear wheel 24" Starec X, Comet red, without handrim, without tyre) <i>Replaces 904.1132-0440</i>		2
5	1567104-0441	(Rear wheel 24" Starec X, arctic blue, without handrim, without tyre) <i>Replaces 904.1132-0441</i>		2
6	1570471	(Rear wheel 24", Starec hub X, without handrim, light wall tyre)		2
7	904.1141	DRIVHJUL 24 STAREC NAV U TEN DRIVR TREAD		2
8	1554399-0407	(Rear wheel 24", Starec X, colourless, without handrim, marathon evolution)		2
8	1554399-0001	(Rear wheel 24" Starec X, chrome, without handrim, marathon evolution)	01.07.2011 →	2
8	1554399-0182	(Rear wheel 24" Starec X, champagne, without handrim, marathon evolution)	01.01.2013 →	2
8	1554399-0183	(Rear wheel 24" Starec X, olive, without handrim, marathon evolution)	01.01.2013 →	2
8	1554399-0400	(Rear wheel 24" Starec X, tecno, without handrim, marathon evolution)		2
8	1554399-0401	(Rear wheel 24" Starec X, lemon, without handrim, marathon evolution)	01.01.2007 → 31.12.2012	2
8	1554399-0404	(Rear wheel 24" Starec X, b-blue, without handrim, marathon evolution)		2
8	1554399-0440	(Rear wheel 24" Starec X, comet red, without handrim, marathon evolution)		2
8	1554399-0441	(Rear wheel 24" Starec X, arctic blue, without handrim, marathon evolution)		2
9	904.1152	DRIVHJUL 24 STAREC NAV RADIAL M.DEKK DRIVRING	01.01.2007 → 31.12.2014	2
10	904.1151	DRIVHJUL 24 STAREC NAV D RIVR TREAD	01.01.2007 → 31.12.2014	2
11	1554398-0407	(Rear wheel 24", Starec R, colourless, handrim, marathon evolution)	01.01.2007 → 31.12.2014	2
11	1554398-0001	(Rear wheel 24" Starec R, chrome, handrim, marathon evolution)	01.07.2011 → 31.12.2014	2
11	1554398-0182	(Rear wheel 24" Starec R, champagne, handrim, marathon evolution)	01.01.2013 → 31.12.2014	2
11	1554398-0183	(Rear wheel 24" Starec R, olive, handrim, marathon evolution)	01.01.2013 → 31.12.2014	2
11	1554398-0400	(Rear wheel 24" Starec R, tecno, handrim, marathon evolution)	01.01.2007 → 31.12.2014	2
11	1554398-0401	(Rear wheel 24" Starec R, lemon, handrim, marathon evolution)	01.01.2007 → 31.12.2012	2
11	1554398-0404	(Rear wheel 24" Starec R, b-blue, handrim, marathon evolution)	01.01.2007 → 31.12.2014	2

**(Küschall Starec wheels)**

11	1554398-0440	(Rear wheel 24" Starec R, comet red, handrim, marathon evolution)	01.01.2007 → 31.12.2014	2
11	1554398-0441	(Rear wheel 24" Starec R, arctic blue, handrim, marathon evolution)	01.01.2007 → 31.12.2014	2
12	1570472	DRIVHJUL 24 STAREC ALU ELOKS DRIVR GÅ HØYTRYKK		2
13	904.1125	DRIVHJUL 24 STAREC NAV D RIVR TREAD		2
14	1554400-0407	(Rear wheel 24", Starec X, colourless, handrim, marathon evolution)		2
14	1554400-0001	(Rear wheel 24" Starec X, chrome, handrim, marathon evolution)	01.07.2011 →	2
14	1554400-0182	(Rear wheel 24" Starec X, champagne, handrim, marathon evolution)	01.01.2013 →	2
14	1554400-0183	(Rear wheel 24" Starec X, olive, handrim, marathon evolution)	01.01.2013 →	2
14	1554400-0400	(Rear wheel 24" Starec X, tecno, handrim, marathon evolution)		2
14	1554400-0401	(Rear wheel 24" Starec X, lemon, handrim, marathon evolution)	01.01.2007 → 31.12.2012	2
14	1554400-0404	(Rear wheel 24" Starec X, b-blue, handrim, marathon evolution)		2
14	1554400-0440	(Rear wheel 24" Starec X, comet red, handrim, marathon evolution)		2
14	1554400-0441	(Rear wheel 24" Starec X, arctic blue, handrim, marathon evolution)		2
15	1571073	(Spokereflection, pair) <i>Replaces 220.1033</i>		1
16	1579084	(Spokes 238mm complete, kit 10 Pcs.)	01.01.2007 → 31.12.2014	1
17	1579086	(Spokes 253mm complete, kit 10 Pcs.)		1

# (High Performance wheel)

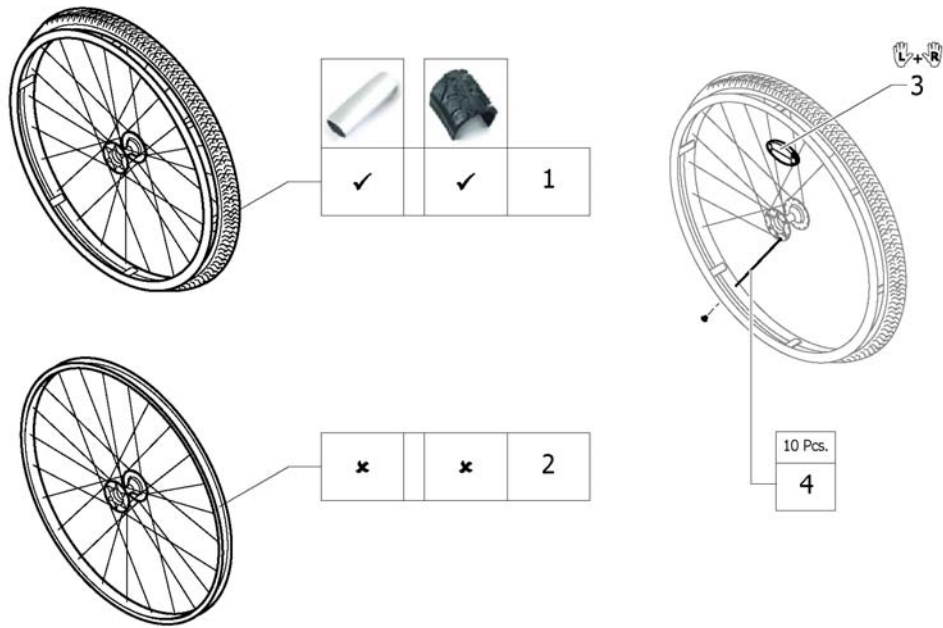


1	1420958-0004	DRIVHJUL 24 HIGH PERFORM GRÅ EIKER KUN GRÅ HT	01.01.2010 →	2
1	1420958-0001	(Wheel 24", High Performance, chrome, handrim alu, tyre light wall)	01.07.2011 →	2
1	1420958-0182	(Wheel 24", High Performance, champagne, handrim alu, tyre light)	01.01.2013 →	2
1	1420958-0183	(Wheel 24", High Performance, olive, handrim alu, tyre light)	01.01.2013 →	2
1	1420958-0400	DRIVHJUL 24 HØY PERMANCE TECH-ANT DRIVR ALU DEKK		2
1	1420958-0401	DRIVHJUL 24 HØY PERMANCE SITRON DRIVR ALU DEK LE	01.01.2007 → 31.12.2012	2
1	1420958-0404	DRIVHJUL 24 HØY PERMANCE B-BLÅ DRIVRING ALU DEKK		2
1	1420958-0440	DRIVHJUL 24 HØY PERMANCE COMET RØD DRIV ALU DEKK		2
1	1420958-0441	DRIVHJUL 24 HØY PERMANCE ARCTIC BLÅ DRIVRING ALU		2
2	1527046-0004	DRIVHJUL 24 HØY PERMANCE SORT DRIV ALU DEKK ME	01.01.2010 →	2
2	1527046-0001	(Wheel 24", High Performance, chrome, handrim alu, tyre Marathon Evolution)	01.07.2011 →	2
2	1527046-0182	(Wheel 24", High Performance, champagne, handrim alu, tyre Marathon Evolution)	01.01.2013 →	2
2	1527046-0183	(Wheel 24", High Performance, olive, handrim alu, tyre Marathon Evolution)	01.01.2013 →	2
2	1527046-0400	DRIVHJUL 24 HØY PERMANCE TECHNO-ANTHRACITE DRIVR		2
2	1527046-0401	DRIVHJUL 24 HØY PERMANCE SITRON DRIVRING ALU DEK	01.01.2007 → 31.12.2012	2
2	1527046-0404	DRIVHJUL 24 HØY PERMANCE B-BLÅ DRIVRING ALU DEKK		2
2	1527046-0440	DRIVHJUL 24 HØY PERMANCE COMET RØD DRIVRING ALU		2
2	1527046-0441	DRIVHJUL 24 HØY PERMANCE ARCTIC BLÅ DRIVRING ALU		2
3	1445479-0004	DRIVHJUL 25 HØY PERMANCE SORT DRIVRING ALU DEKK	01.01.2010 →	2
3	1445479-0001	(Wheel 25", High Performance, chrome, handrim alu, tyre Marathon Evolution)	01.07.2011 →	2
3	1445479-0182	(Wheel 25", High Performance, champagne, handrim alu, tyre Marathon Evolution)	01.01.2013 →	2
3	1445479-0183	(Wheel 25", High Performance, olive, handrim alu, tyre Marathon Evolution)	01.01.2013 →	2
3	1445479-0400	DRIVHJUL 25 HØY PERMANCE TECHNO-ANTHRACITE DRIVR		2
3	1445479-0401	DRIVHJUL 25 HØY PERMANCE SITRON DRIVRING ALU DEK	01.01.2007 → 31.12.2012	2

**(High Performance wheel)**

3	1445479-0404	DRIVHJUL 25 HØY PERMANCE B-BLÅ DRIVRING ALU DEKK		2
3	1445479-0440	DRIVHJUL 25 HØY PERMANCE COMET RØD DRIVRING ALU		2
3	1445479-0441	DRIVHJUL 25 HØY PERMANCE ARCTIC BLÅ DRIVRING ALU		2
4	1517723-0004	DRIVHJUL 24 HØY PERMANCE SVART UTEN DEKK OG DRIVR	01.01.2010 →	2
4	1517723-0001	(Wheel 24", High Performance, chrome, without handrim, without tyre)	01.07.2011 →	2
4	1517723-0182	(Wheel 24", High Performance, champagne, without handrim, without tyre)	01.01.2013 →	2
4	1517723-0183	(Wheel 24", High Performance, olive, without handrim, without tyre)	01.01.2013 →	2
4	1517723-0400	(Wheel 24", High Performance, techno-anthracite, without handrim, without tyre)		2
4	1517723-0401	(Wheel 24", High Performance, lemon, without handrim, without tyre)	01.01.2007 → 31.12.2012	2
4	1517723-0404	DRIVHJUL 24 HØY PERMANCE B-BLÅ UTEN DRIVRING UTE		2
4	1517723-0440	DRIVHJUL 24 HØY PERMANCE COMET RØD UTEN DRIVRING		2
4	1517723-0441	(Wheel 24", High Performance, arctic blue, without handrim, without tyre)		2
5	1562937-0004	(Wheel 25", High Performance, black, without handrim, without tyre)	01.01.2010 →	2
5	1562937-0001	(Wheel 25", High Performance, chrome, without handrim, without tyre)	01.07.2011 →	2
5	1562937-0182	(Wheel 25", High Performance, champagne, without handrim, without tyre)	01.01.2013 →	2
5	1562937-0183	(Wheel 25", High Performance, olive, without handrim, without tyre)	01.01.2013 →	2
5	1562937-0400	(Wheel 25", High Performance, techno-anthrac., without handrim, without tyre)		2
5	1562937-0401	(Wheel 25", High Performance, lemon, without handrim, without tyre)	01.01.2007 → 31.12.2012	2
5	1562937-0404	(Wheel 25", High Performance, b-blue, without handrim, without tyre)		2
5	1562937-0440	(Wheel 25", High Performance, comet red, without handrim, without tyre)		2
5	1562937-0441	(Wheel 25", High Performance, arctic blue, without handrim, without tyre)		2
6	1571073	(Spokereflection, pair) <i>Replaces 220.1033</i>		1
7	1578867	(Spokes kit for High Performance wheel 24", 10 Pcs.)		1
8	1578868	(Spokes kit for High Performance wheel 25", 10 Pcs.)		1

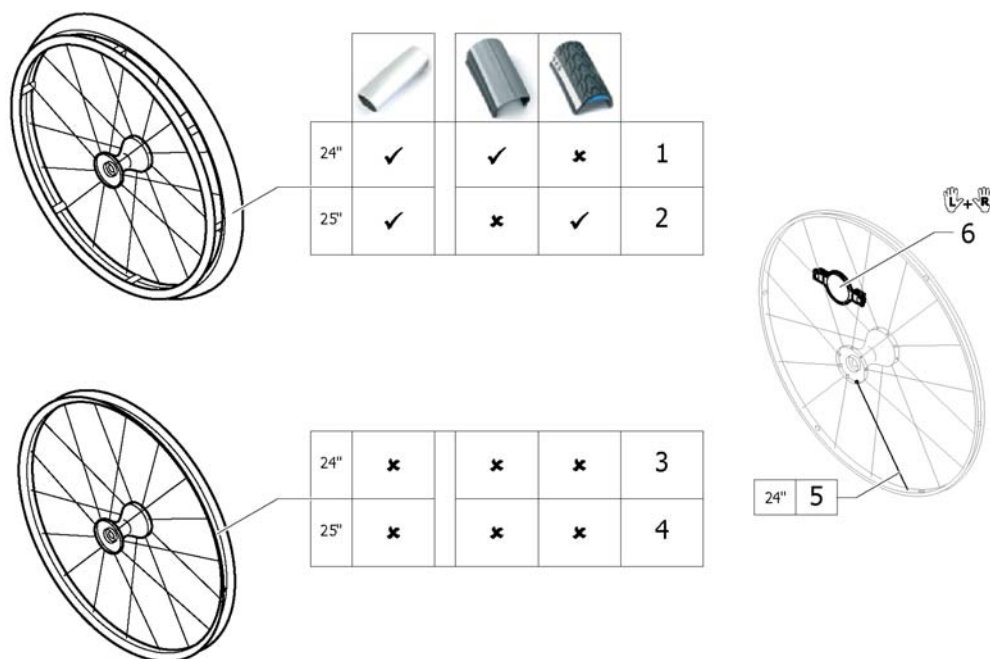
**(Mountain bike wheel)**



1	1517875	DRIVHJUL 24 MOUTAINDRIVE 22 DRIVRING SVARTE EIKER <i>Replaces 1420959</i>	2
2	1529327	(Rear wheel Mountain Bike 24", without handrim, without tyre) <i>Replaces 1439420</i>	2
3	1571073	(Spokereflection, pair) <i>Replaces 220.1033</i>	1
4	1579085	(Spokes kit for Mountain Bike wheel, 10 Pcs.)	1



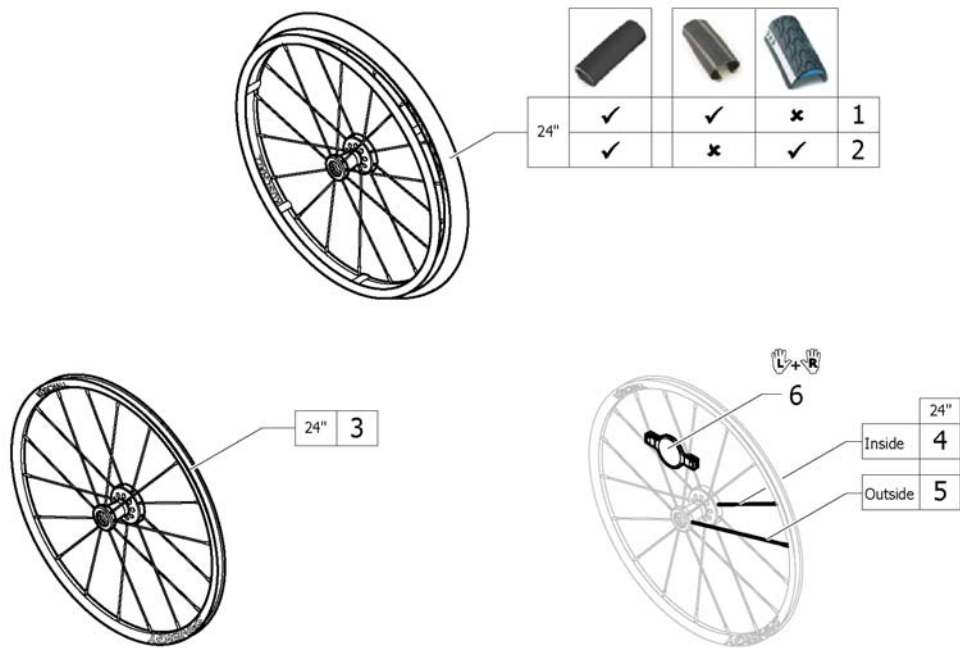
# (Spinergy wheel)



1	1485805	DRIVHJUL 24 SPINERGY KPL GRÅ HØYTRYKK ALU DRIV.	01.01.2007 → 31.12.2013	2
2	1525127	DRIVHJUL 25 SPINERGY ALU DRIVR MARATHON EVOLUTION	01.01.2009 → 31.12.2013	2
3	1570426	DRIVHJUL 24 SPINERGY KUN FELG	01.01.2007 → 31.12.2013	2
4	1525128	DRIVHJUL SPINERGY 25" KUSCHALL	01.01.2009 → 31.12.2013	2
5	1579092	(Spoke for Spinergy wheel 24", 1 Pcs.)	01.01.2007 → 31.12.2013	36
6	1571088	(Spoke reflection for Spinergy wheel, pair)	01.01.2007 → 31.12.2013	1

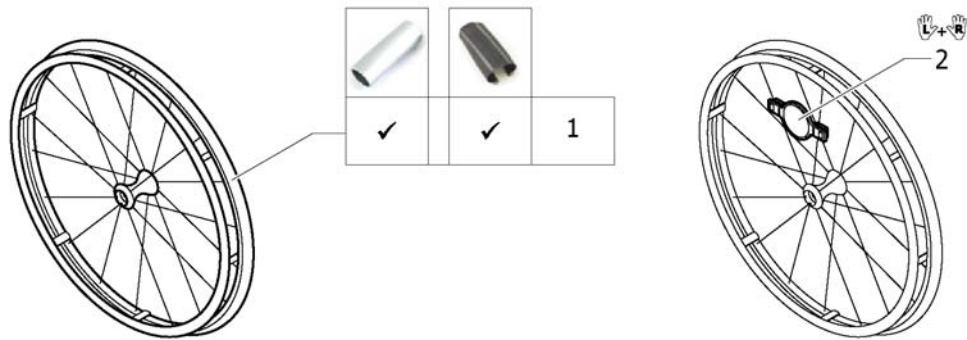
*Replaces 1451931*





1	1579101	(Rear wheel 24", Spinergy L XK, handrim aluminium black, tyre Schwalbe One)	2
2	1579105	(Rear wheel 24", Spinergy L XK, handrim aluminium black, tyre Marathon Evolution)	2
3	1579102	(Rear wheel 24", Spinergy L XK, without handrim, without tyre)	2
4	1579103	(Spoke inside for Spinergy L XK wheel 24", 236mm., 1 Pcs.)	9
5	1579104	(Spoke outside for Spinergy L XK wheel 24", 249mm., 1 Pcs.)	9
6	1571088	(Spoke reflection for Spinergy wheel, pair)	1

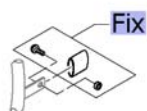
# (Ultra-light fibre wheel)



1	1578804	DRIVHJUL 24 ULTRA-LIGHT FIBER HJUL M ULTREMOM DEK <i>Replaces 1547628</i>	20.11.2013 → 31.12.2013	2
2	1571088	(Spoke reflection for Spinergy wheel, pair) <i>Replaces 1451931</i>		1

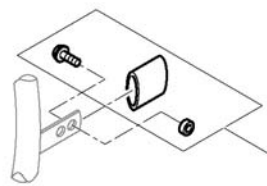
**(Handrim)**

		3cm		4cm			22"		24"		25"		24"		24"		22"		24"		24"		
		22"	24"	25"	22"	24"	25"	24"	24"	22"	24"	24"	22"	24"	24"	22"	24"	24"					
Küschall wheel	3cm	-	3	5	7	8	9	10	12	-	15	16	17										
	4cm	-	4	6	-	-	-	11	13	-	15	16	17										
High Performance	3cm	-	3	5	-	8	9	10	12	-	15	16	17										
	4cm	-	4	6	-	-	-	11	13	-	15	16	17										
Mountainbike	3cm	1	-	-	7	-	-	-	-	14	-	-	-										
	4cm	2	-	-	-	-	-	-	-	-	-	-	-										
Spinergy	3cm	-	3	5	-	8	9	10	12	-	15	16	17										
	4cm	-	4	6	-	-	-	11	13	-	15	16	17										
Spinergy LXX	3cm	-	3	-	-	8	-	10	12	-	15	16	-										
	4cm	-	4	-	-	-	-	11	13	-	15	16	-										
Ultra Light Fibre	3cm	-	3	-	-	8	-	10	12	-	15	16	-										
	4cm	-	4	-	-	-	-	11	13	-	15	16	-										


















Fix	-	(Fixation handrim)	1
1	1568713-0005	(Handrim 22" Aluminium, distance 3cm)	2
2	1568700	(Handrim 22" Alu, 4cm) <i>Replaces 457.1023</i>	2
3	1568714-0005	DRIVRING 24 ALU ELOKSERT KÜSCHALL st.SPINERGY	01.07.2013 → 2
4	1568702	DRIVRING 24 ELOKSERT STD KUSCHALL <i>Replaces 1432287-0005</i>	2
5	1568730-0005	(Handrim 25" Aluminium, distance 3cm)	01.07.2013 → 2
6	1568708	DRIVRING 26 ALU LETT HIG Performance 4cm <i>Replaces 1420890-0005</i>	2
7	1568713-0411	(Handrim 22" Aluminium, black, distance 3cm)	2
8	1568714-0411	DRIVRING 24 SORT LAKK ALU 3CM DISTANSE	01.07.2013 → 2
9	1568730-0411	(Handrim 25" Aluminium, black, distance 3cm)	01.07.2013 → 2
10	1568716	(Handrim 24" Titanium, distance 3cm)	01.07.2013 → 2
11	1568705	(Handrim 24" Titanium, 4cm) <i>Replaces 457.1051</i>	2
12	1568715	DRIVRING 24 STÅL 3CM DIST	01.07.2013 → 2
13	1568704	(Handrim 24" steel polished, 4cm) <i>Replaces 457.1009</i>	2
14	1568701	(Handrim 22" Super-Grip) <i>Replaces 457.1045.429</i>	2
15	1568703	DRIVRING 24 SUPERGRIP KUSCHALL <i>Replaces 457.1017.429</i>	2
16	1556916	DRIVRING 24 SURGE KUSCHALL	01.01.2012 → 2
17	1556917	DRIVRING 25 SURGE KUSCHALL	01.01.2012 → 2

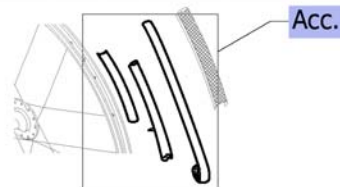
# (Fixation handrim)



		Aluminium		Titanium		Steel		Supergrip		Surge			
3cm													
4cm													
Küschall wheel	3cm	1	1	1	1	1	1	1	1	3	3		
	4cm	2	3	-	-	2	3	2	3	2	3		
High Performance	3cm	4	4	4	4	4	4	4	4	4	6	4	
	4cm	5	6	-	-	5	6	5	6	5	6	-	-
Mountainbike	3cm	7	7	7	7	-	-	-	-	7	7	-	-
	4cm	8	9	-	-	-	-	-	-	8	9	-	-
Spinerger	3cm	7	-	7	-	7	-	7	-	7	-	9	-
	4cm	8	-	-	-	8	-	8	-	8	-	-	-
Spinerger LXX	3cm	4	-	4	-	4	-	4	-	4	-	6	-
	4cm	5	-	-	-	5	-	5	-	5	-	-	-
Ultra Light Fibre	3cm	4	-	4	-	4	-	4	-	4	-	6	-
	4cm	5	-	-	-	5	-	5	-	5	-	-	-

1	1495958	FESTESETT DRIVRING 3CM KUSHALL	2
2	1495959	DRIVRINGSFESTE KIT STD KUSCGHALL HJUL 4CM	2
3	1495961	(Fixation kit handrim, 4 cm with spokes guard)	2
4	1496019	FIKSERINGSKIT FOR DRIVRING HIGH PERFORM 3	2
5	1496020	(Fixation kit handrim for High Performance wheel, 4 cm)	2
6	1497111	(Fixation kit handrim for High Performance wheel, 4 cm with spokes guard)	2
7	1496015	(Fixation kit handrim for Mountain bike wheel, 3 cm)	2
8	1496016	(Fixation kit handrim for Mountain bike wheel, 4 cm)	2
9	1496018	(Fixation kit handrim for Mountain bike wheel, 4 cm with spokes guard)	2

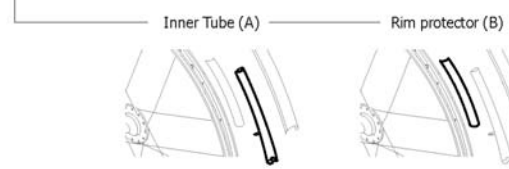
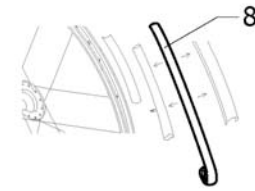
									
	24"	24"	24"	25"	24"	25"	24"	24"	24"
 Kuschall Räder	1	2	3	-	4	-	-	6	7
 High Performance	1	2	3	8	4	9	-	-	-
 Mountainbike	-	-	-	-	-	-	5	-	-
 Spinergy	1	2	3	8	4	9	-	-	-
 Spinergy LXX	1	2	3	8	4	9	-	-	-
 Ultra Light Fibre	1	2	3	8	4	9	-	6	7



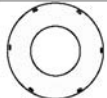










Acc.	-	(Inner tube and rim protector)	1
1	1570828	DEKK 24 HØYTR GRÅ 7 BAR ERSTATTER 1424749 <i>Replaces 1424749</i>	2
2	1570829	DEKK 24 PROFILERT 7 BAR KUSCHALL <i>Replaces 728.1002</i>	2
3	1570838	DEKK 24 MARATHON KUSHALL PKT SIKKER <i>Replaces 1438521</i>	2
4	1578802	DEKK 24 SCHWALBE SPEEDRUN 24" KUSCHALL <i>Replaces 1528649</i>	20.11.2013 → 2
5	1570830	DEKK 24 MOUNTAINDRIVE HJUL KUSH. ERST. 1420887 <i>Replaces 1420887</i>	2
6	1570831	DEKK 24 MASSIV GRÅ GROVT MØNSTER <i>Replaces 728.1029</i>	2
7	1570840	DEKK 24 KIK KOMPAKTE SORTE <i>Replaces 728.1015</i>	2
8	1570841	(Tyre 25" Marathon Evolution) <i>Replaces 1493769</i>	2
9	1578803	(Tyre 25" Schwalbe One) <i>Replaces 1528650</i>	20.11.2013 → 2

# (Inner tube and rim protector)

		24"	24"	24" 25"	24" 25"	24"	24"	24"	24"
Küschall Räder	A	1	1	1	-	1	-	-	-
	B	6	6	6	-	6	-	6	6
High Performance	A	1	1	1	4	1	4	-	-
	B	7	7	7	7	7	7	-	-
Mountainbike	A	-	-	-	-	-	-	3	-
	B	-	-	-	-	-	-	5	-
Spinergy	A	1	1	1	4	1	4	-	-
	B	7	7	7	7	7	7	-	7
Spinergy LXX	A	1	1	1	-	1	-	-	-
	B	7	7	7	-	7	-	-	-
Ultra Light Fibre	A	-	-	-	-	2	-	-	-
	B	-	-	-	-	7	-	-	-

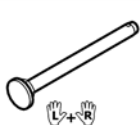
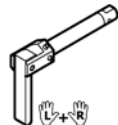









1	1570849	SLANGE 24"X1 <i>Replaces 727.1002</i>		2
2	1550284	(Inner Tube 24" for Ultra-light fibre wheel)	01.01.2007 → 31.12.2013	2
3	1570852	SLANGE MOUNTAINDRIVE (47-507) ERST. 1420884 <i>Replaces 1420884</i>		2
4	1570851	(Inner tube 26" for High-Performance wheel) <i>Replaces 1430886</i>		2
5	1570844	(Rim protection 22") <i>Replaces 726.1005</i>		2
6	1570845	(Rim protection 24" Large) <i>Replaces 726.1008.000</i>		2
7	1495962	(Rim Protection for High Performance / Spinergy wheel)		2
8	1571072	(Rear wheel inset anti-flat for 20,22,24,26" tyre) <i>Replaces 1424917</i>		2

					
	22"	24"	24"	24"	24"
 Küschall wheel	1	2	3	4	5
 High Performance	-	2	3	4	5
 Mountainbike	1	-	-	-	-
 Spinergy	-	2	3	4	5
 Spinergy LxK	-	-	-	-	-
 Ultra Light Fibre	-	-	-	-	-

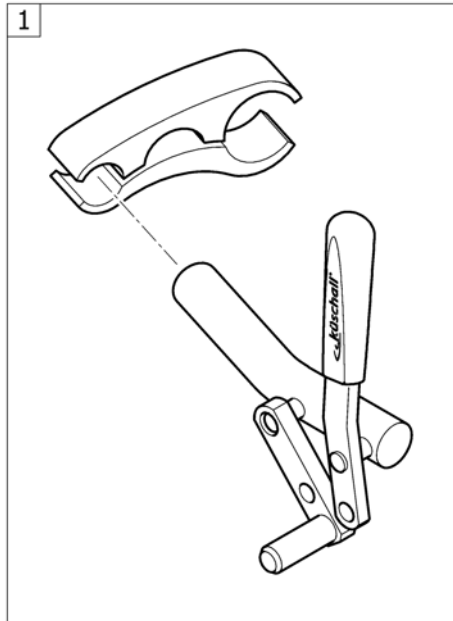
1	1564453	EIKEBESKYTTER 22 TRANSPERENT KUSCHALL <i>Replaces 736.1005</i>	2	
2	1564457	EIKEBESKYTTER 24 TRANSPERENT KUSCHALL <i>Replaces 736.1004</i>	2	
3	1564456	EIKEBESKYTTER 24 SVART KUSCHALL LOGO <i>Replaces 736.1002</i>	2	
4	1564459	EIKEBESKYTTER 24" KARBON <i>Replaces 736.1014</i>	01.01.2007 → 31.12.2013	2
5	1564461	(Spokes guard R33 24") <i>Replaces 1497107</i>	2	

## (Quick release axle and bearing)

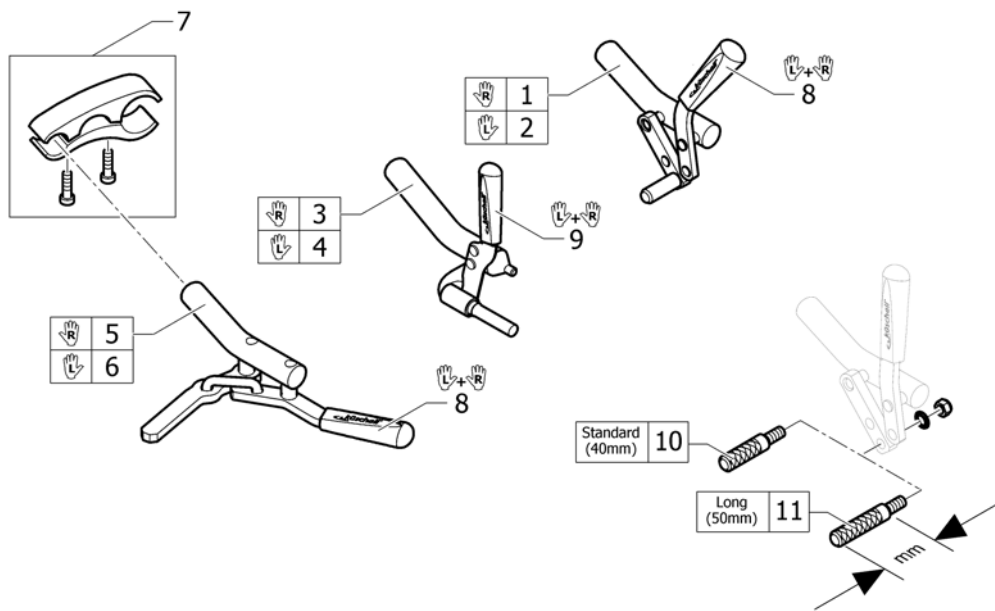
			
 Küschall wheel	1	2	6
 High Performance	1	2	6
 Mountainbike	1	2	6
 Spinergy	3	4	6
 Spinergy LXX	3	4	6
 Ultra Light Fibre	5	4	6

1	1509137-0001	(Quick release axles long with cap, pair, chrome)	01.07.2011 →	1
1	1509137-0004	HURTIGKOBLINGSBOLT L 128 M SORT KNAPP KUSCHAL PAR		1
1	1509137-0182	(Quick release axles long with cap, pair, champagne)	01.01.2013 →	1
1	1509137-0183	(Quick release axles long with cap, pair, olive)	01.01.2013 →	1
1	1509137-0400	HURTIGKOBLING LANG KNAPP TECNO PAR		1
1	1509137-0401	HURTIGKOBLING LANG KNAPP SITRON PAR	01.01.2007 → 31.12.2012	1
1	1509137-0404	HURTIGKOBLING LANG KNAPP B-BLÅ PAR		1
1	1509137-0407	HURTIGKOBLINGSBOLT L 128 FARGELØS KNAPP KUSCH.PAR		1
1	1509137-0440	HURTIGKOBLING LANG KNAPP COMET PAR		1
1	1509137-0441	HURTIGKOBLINGSAKSEL LANG KNAPP ARCTIC PAR		1
2	1493755	HURTIGKOBLINGSBOLT L 128 TETRA KUSCHALL		1
3	1507627	QR AKSEL FOR SPINERGY HJUL PAR		1
4	1512029	HURTIGKOBLINGSAKSEL HURT IGTKOBLING AKSEL AKSEL LA		1
5	1547629	HURTIGKOBLINGSBOLT TIL ULTRA-LETT FIBERHJUL	01.07.2011 →	1
6	1571069	(Bearing R8-2RS 1/2"/1.1/8"x5/16", pair) <i>Replaces 5719103</i>		2



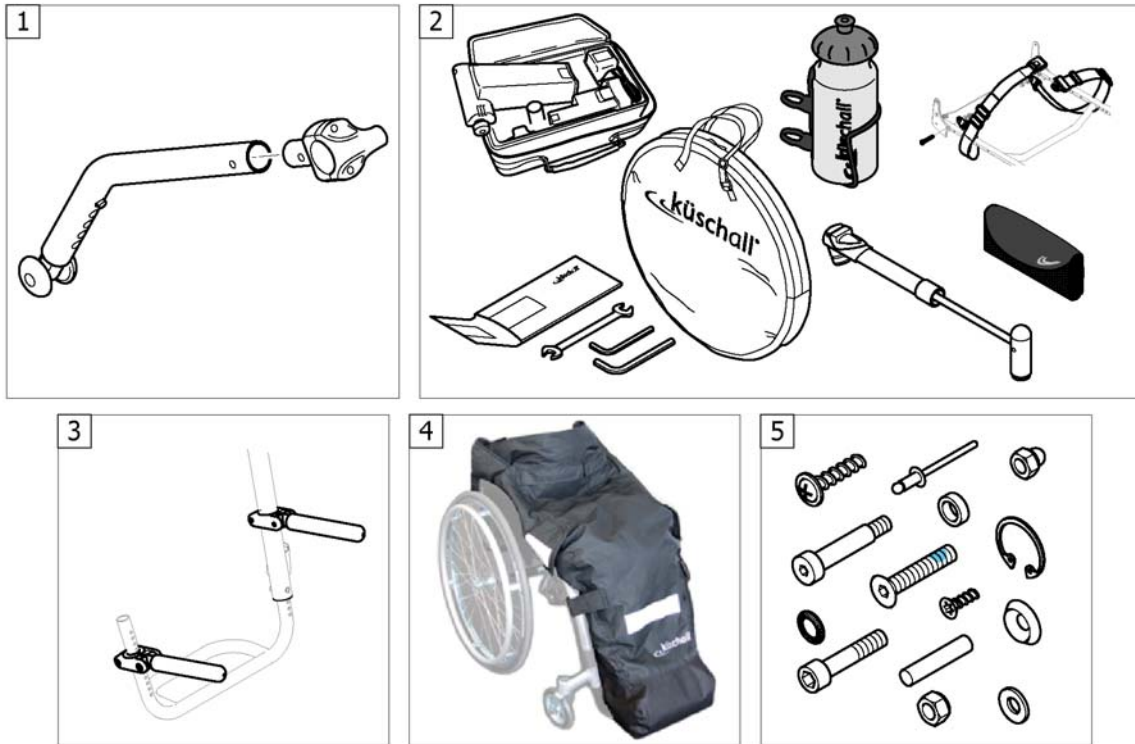


# (Brakes)



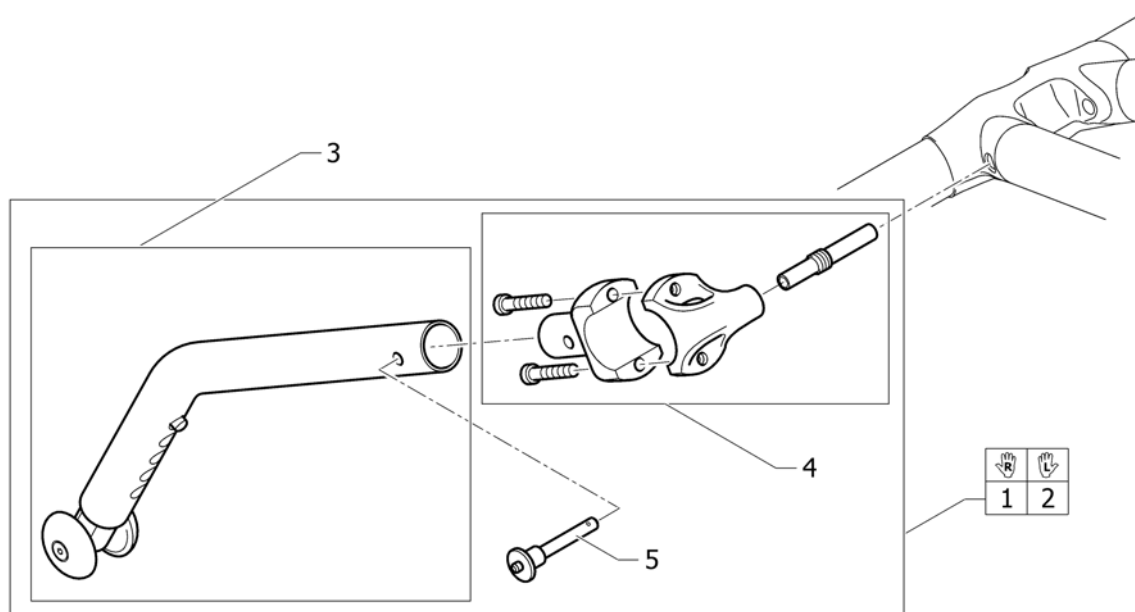
1	1495431	BREMS HØYRE BØJD KUSCHALL R33	1
2	1495430	BREMS VENSTRE BØJD KUSCHALL R33	1
3	1495433	BREMS PERFORMANCE HØ R33	1
4	1495432	BREMS PERFORMANCE VE R33	1
5	1495435	BREMS SAKSE HØ R33	1
6	1495434	BREMS SAKSE VE R33	1
7	1505568	KLEMME BREMS KPL R33 KUSCHALL	2
8	1513177	HÅNDTAK BREMS PAR KUSCHALL <i>Replaces 1432056</i>	1
9	1513178	HÅNDTAK BREMS PERFORMANCE PAR KUSCHALL <i>Replaces 1432055</i>	1
10	1579328	(Brake shoe standard (40mm), kit 4 Pcs.) <i>Replaces 500.1045 (4x)</i>	1
11	1579329	(Brake shoe long (50mm), kit 4 Pcs.) <i>Replaces 500.1013 (4x)</i>	1

## Utstyr og tilbehør

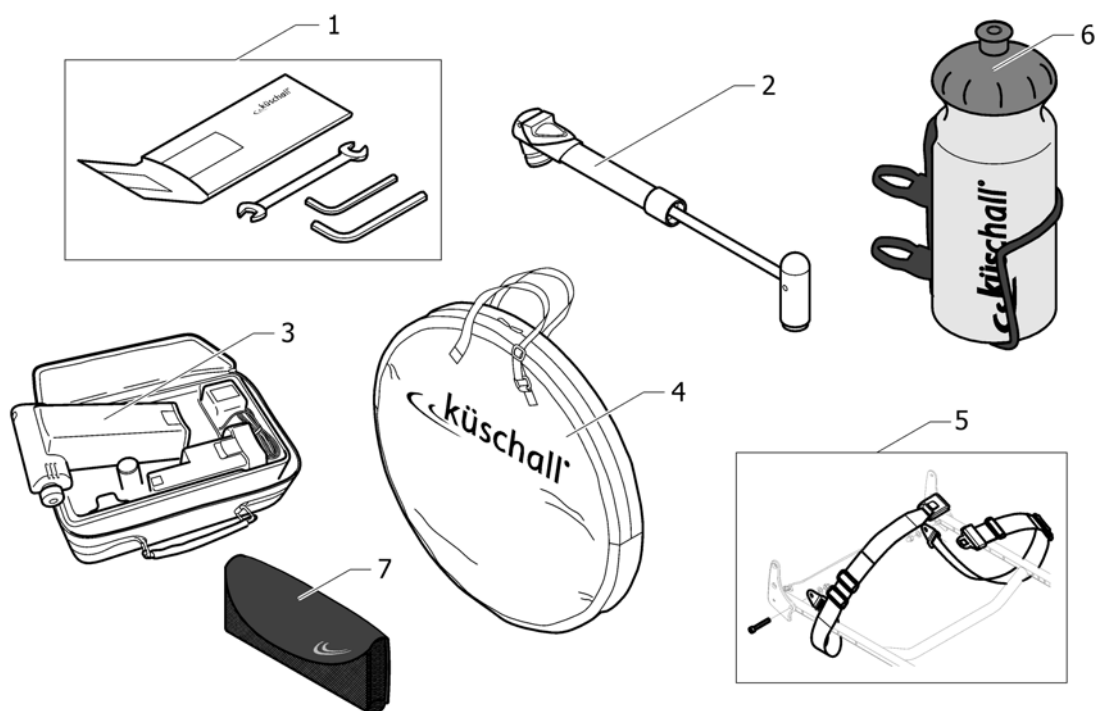


1	-	(Antitipper)	1
2	-	(Chair accessories)	1
3	-	(Luggage holder)	1
4	-	(Winter accessories)	1
5	-	(Fixation: screws, ...)	1

# (Antitipper)

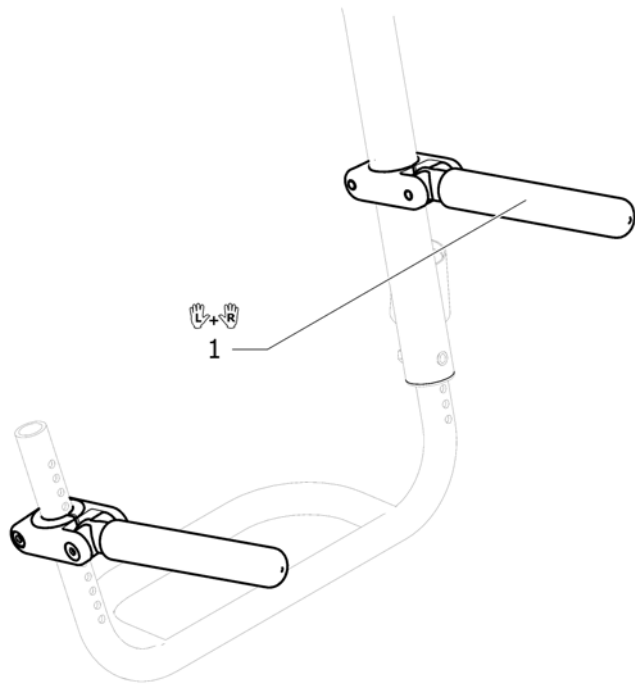


1	1505565	TIPPESIKRING HØ KPL	1
2	1505566	TIPPESIKRING VE KPL	1
3	1495443	TIPPESIKKRING R33	1
4	1505567	FIKSERINGSKIT TIPPESIKRING KUSCHALL	1
5	1517877	QUICKPIN K-JUNIOR <i>Replaces 907.1125</i>	1



1	1518285	VERKTØYSETT KUSCHALL <i>Replaces 800.1013</i>		1
2	1517924	PUMPE KUSCHALL MANUELL <i>Replaces 801.1004</i>		1
3	1518286	(Air man) <i>Replaces 801.1006.000</i>		1
4	1518287	VESKE FOR 24 OG 26 HJUL KÜSCHALL LOGO <i>Replaces 1420922</i>		1
5	1567136	(Seat belt)	01.01.2013 →	1
6	1547625	FLASKEHOLDER MED FLASKE KUSCHALL		1
7	1547622	MOBIL TELEFON HOLDER KSL		1

## (Luggage holder)



---

1 1547626

BAGGASJE BÆRER KUSCHALL PAR

1



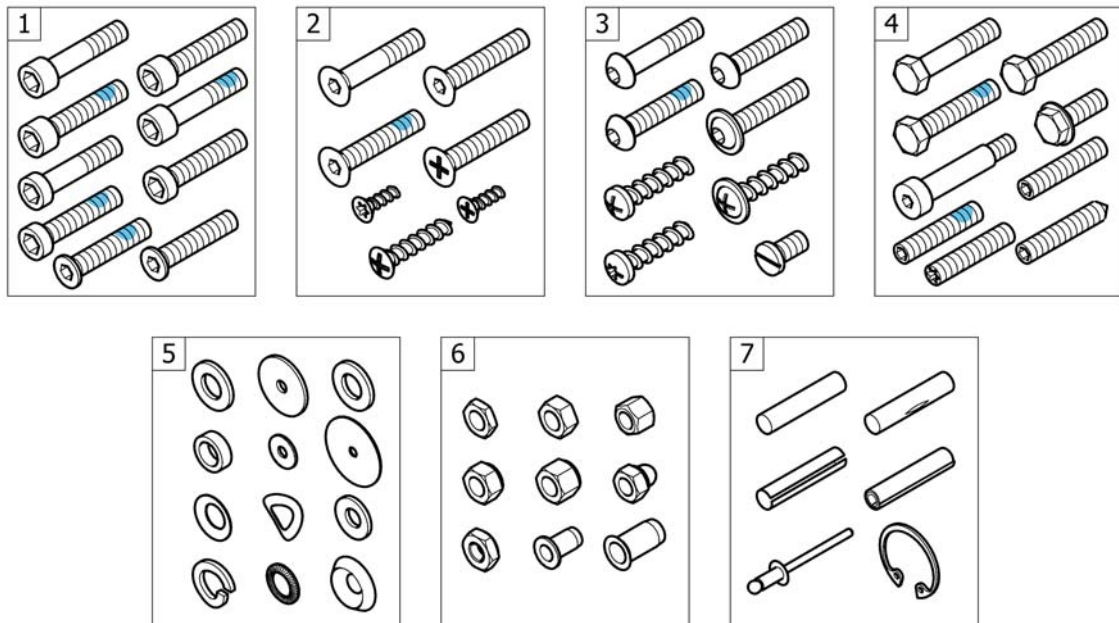
1 1532009

FOTPOSE HØYDE >160M VE

01.01.2010 →  
30.06.2011

1

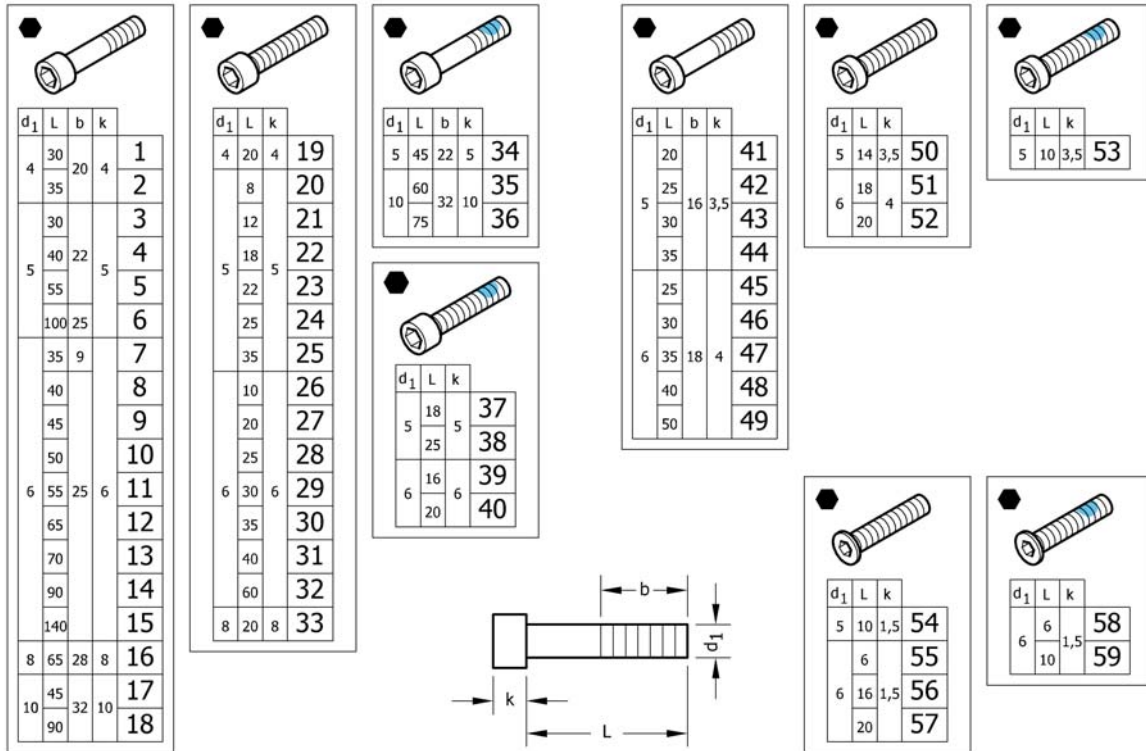
**(Fixation: screws, ...)**




---

1	-	(Socket head cap screws)	1
2	-	(Countersunk screws)	1
3	-	(Button head screws)	1
4	-	(Hex-head screws, diverse, ...)	1
5	-	(Washers)	1
6	-	(Nuts)	1
7	-	(Pins, rivets, ...)	1





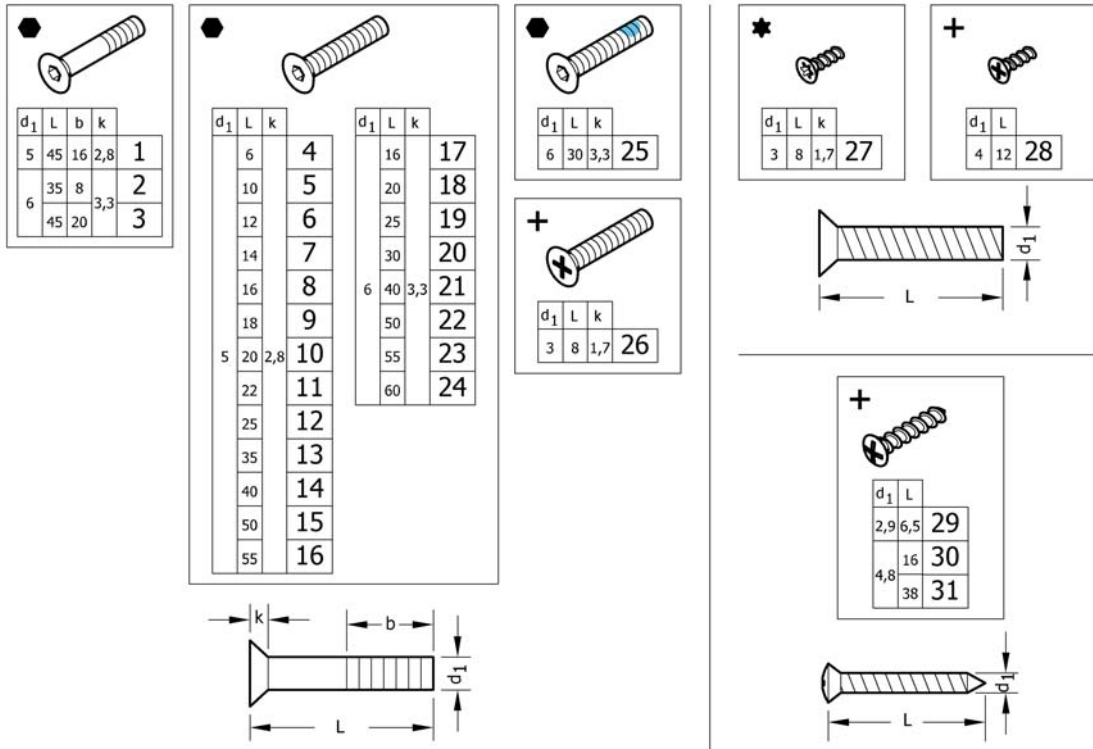
1	1579115	(Hex socket head cap screws partially threaded, zi.Blue, M4x30, kit 25 Pcs.) <i>Replaces 1560191 (25x)</i>	1
2	1579116	(Hex socket head cap screws partially threaded, zi.Blue, M4x35, kit 25 Pcs.) <i>Replaces 1563765 (25x)</i>	1
3	1579117	(Hex socket head cap screws partially threaded, black, M5x30, kit 25 Pcs.) <i>Replaces 100.1091 (25x)</i>	1
4	1579118	(Hex socket head cap screws partially threaded, black, M5x40, kit 25 Pcs.) <i>Replaces 100.1093 (25x)</i>	1
5	1579119	(Hex socket head cap screws partially threaded, black, M5x55, kit 25 Pcs.) <i>Replaces 100.1096 (25x)</i>	1
6	1579120	(Hex socket head cap screws partially threaded, black, M5x100, kit 10 Pcs.) <i>Replaces 1425240 (10x)</i>	1
7	1579121	(Hex socket head cap screws partially threaded, black, M6x35, kit 5 Pcs.) <i>Replaces 107.1001 (5x)</i>	1
8	1579122	(Hex socket head cap screws partially threaded, black, M6x40, kit 25 Pcs.) <i>Replaces 100.1133 (25x)</i>	1
9	1579123	(Hex socket head cap screws partially threaded, black, M6x45, kit 25 Pcs.) <i>Replaces 100.1134 (25x)</i>	1
10	1579124	(Hex socket head cap screws partially threaded, black, M6x50, kit 25 Pcs.) <i>Replaces 100.1135 (25x)</i>	1
11	1579125	(Hex socket head cap screws partially threaded, black, M6x55, kit 25 Pcs.) <i>Replaces 100.1136 (25x)</i>	1
11	1579126	(Hex socket head cap screws partially threaded, zi.Blue, M6x55, kit 25 Pcs.) <i>Replaces ZM006551A (25x)</i>	1
12	1579127	(Hex socket head cap screws partially threaded, black, M6x65, kit 10 Pcs.) <i>Replaces 100.1138 (10x)</i>	1
13	1579128	(Hex socket head cap screws partially threaded, black, M6x70, kit 10 Pcs.) <i>Replaces 100.1139 (10x)</i>	1
14	1579129	(Hex socket head cap screws partially threaded, black, M6x90, kit 10 Pcs.) <i>Replaces 1529118 (10x)</i>	1
15	1579130	(Hex socket head cap screws partially threaded, black, M6x140, kit 10 Pcs.) <i>Replaces 1529117 (10x)</i>	1

**(Socket head cap screws)**

16	1579131	(Hex socket head cap screws partially threaded, black, M8x65, kit 10 Pcs.) <i>Replaces 1510316 (10x)</i>	1
17	1579132	(Hex socket head cap screws partially threaded, black, M10x45, kit 2 Pcs.) <i>Replaces 1496010 (2x)</i>	1
18	1579133	(Hex socket head cap screws partially threaded, black, M10x90, kit 2 Pcs.) <i>Replaces 1496013 (2x)</i>	1
19	1579134	(Hex socket head cap screws fully threaded, black, M4x20, kit 25 Pcs.) <i>Replaces 100.1050 (25x)</i>	1
20	1579135	(Hex socket head cap screws fully threaded, black, M5x8, kit 5 Pcs.) <i>Replaces 1493753 (5x)</i>	1
21	1579136	(Hex socket head cap screws fully threaded, black, M5x12, kit 25 Pcs.) <i>Replaces 100.1084 (25x)</i>	1
22	1579137	(Hex socket head cap screws fully threaded, black, M5x18, kit 25 Pcs.) <i>Replaces 100.1087 (25x)</i>	1
23	1579138	(Hex socket head cap screws fully threaded, black, M5x22, kit 25 Pcs.) <i>Replaces 100.1089 (25x)</i>	1
24	1579139	(Hex socket head cap screws fully threaded, black, M5x25, kit 25 Pcs.) <i>Replaces 100.1090 (25x)</i>	1
25	1579140	(Hex socket head cap screws fully threaded, black, M5x35, kit 25 Pcs.) <i>Replaces 100.1092 (25x)</i>	1
26	1579141	(Hex socket head cap screws fully threaded, black, M6x10, kit 25 Pcs.) <i>Replaces 100.1123 (25x)</i>	1
27	1579142	(Hex socket head cap screws fully threaded, black, M6x20, kit 25 Pcs.) <i>Replaces 100.1128 (25x)</i>	1
28	1579143	(Hex socket head cap screws fully threaded, black, M6x25, kit 25 Pcs.) <i>Replaces 100.1130 (25x)</i>	1
29	1579144	(Hex socket head cap screws fully threaded, black, M6x30, kit 25 Pcs.) <i>Replaces 100.1131 (25x)</i>	1
30	1579145	(Hex socket head cap screws fully threaded, black, M6x35, kit 25 Pcs.) <i>Replaces 100.1132 (25x)</i>	1
31	1579146	(Hex socket head cap screws fully threaded, black, M6x40, kit 10 Pcs.) <i>Replaces 1563349 (10x)</i>	1
32	1579147	(Hex socket head cap screws fully threaded, black, M6x60, kit 10 Pcs.) <i>Replaces 100.1137 (10x)</i>	1
33	1579148	(Hex socket head cap screws fully threaded, black, M8x20, kit 10 Pcs.) <i>Replaces 1510307 (10x)</i>	1
34	1579149	(Hex sock.Head cap screws partial.Thread., black, TufLok, M5x45, kit 5 Pcs.) <i>Replaces 1496014 (5x)</i>	1
35	1579150	(Hex sock.Head cap screws partial.Thread., black, TufLok, M10x60, kit 2 Pcs.) <i>Replaces 1496011 (2x)</i>	1
36	1579151	(Hex sock.Head cap screws partial.Thread., black, TufLok, M10x75, kit 2 Pcs.) <i>Replaces 1496012 (2x)</i>	1
37	1579152	(Hex socket head cap screws fully threaded, black, TufLok, M5x18, kit 10 Pcs.) <i>Replaces 1425241 (10x)</i>	1
38	1579153	(Hex socket head cap screws fully threaded, black, TufLok, M5x25, kit 10 Pcs.) <i>Replaces 1570153 (10x)</i>	1
39	1579154	(Hex socket head cap screws full.Thread., zi.Blue, TufLok, M6x16, kit 10 Pcs.) <i>Replaces 1560219 (10x)</i>	1
40	1579155	(Hex socket head cap screws fully threaded, black, TufLok, M6x20, kit 10 Pcs.) <i>Replaces 1498775 (10x)</i>	1
41	1579156	(Hex sock.Head cap screws, low head, part.Thread., black, M5x20, kit 25 Pcs.) <i>Replaces 1438501 (25x)</i>	1
42	1579157	(Hex sock.Head cap screws, low head, part.Thread., black, M5x25, kit 25 Pcs.) <i>Replaces 1438518 (25x)</i>	1
43	1579158	(Hex sock.Head cap screws, low head, part.Thread., black, M5x30, kit 25 Pcs.) <i>Replaces 100.5090 (25x)</i>	1

44	1579159	(Hex sock.Head cap screws, low head, part.Thread., black, M5x35, kit 25 Pcs.) <i>Replaces 100.5091 (25x)</i>	1
45	1579160	(Hex sock.Head cap screws, low head, part.Thread., black, M6x25, kit 25 Pcs.) <i>Replaces 1432120 (25x)</i>	1
46	1579161	(Hex sock.Head cap screws, low head, part.Thread., black, M6x30, kit 25 Pcs.) <i>Replaces 100.5130 (25x)</i>	1
47	1579162	(Hex sock.Head cap screws, low head, part.Thread., black, M6x35, kit 25 Pcs.) <i>Replaces 1438504 (25x)</i>	1
48	1579163	(Hex sock.Head cap screws, low head, part.Thread., black, M6x40, kit 25 Pcs.) <i>Replaces 100.5132 (25x)</i>	1
49	1579164	(Hex sock.Head cap screws, low head, part.Thread., black, M6x50, kit 25 Pcs.) <i>Replaces 100.5134 (25x)</i>	1
50	1579165	(Hex sock.Head cap screws, low head, part.Thread., black, M5x14, kit 25 Pcs.) <i>Replaces 100.5085 (25x)</i>	1
51	1579166	(Hex sock.Head cap screws, low head, part.Thread., black, M6x18, kit 25 Pcs.) <i>Replaces 100.5126 (25x)</i>	1
52	1579167	(Hex sock.Head cap screws, low head, part.Thread., black, M6x20, kit 25 Pcs.) <i>Replaces 100.5127 (25x)</i>	1
53	1579168	(Hex soc.Head cap scr., low head, part.Threa., bl., TufL., M5x10, kit 10 Pcs.) <i>Replaces 1496026 (10x)</i>	1
54	1579169	(Hex socket head cap screws, special low head, black, M5x10, kit 25 Pcs.) <i>Replaces 1437290 (25x)</i>	1
55	1579170	(Hex socket head cap screws, special low head, black, M6x6, kit 25 Pcs.) <i>Replaces 1425182 (25x)</i>	1
56	1579171	(Hex socket head cap screws, special low head, black, M6x16, kit 25 Pcs.) <i>Replaces 1541181 (25x)</i>	1
57	1579172	(Hex socket head cap screws, special low head, black, M6x20, kit 25 Pcs.) <i>Replaces 107.1022 (25x)</i>	1
58	1579173	(Hex socket head cap screws, spec.Low head, black, TufLok, M5x6, kit 10 Pcs.) <i>Replaces 1532039 (10x)</i>	1
59	1579174	(Hex socket head cap screws, spec.Low head, black, TufLok, M6x10, kit 10 Pcs.) <i>Replaces 1420946 (10x)</i>	1

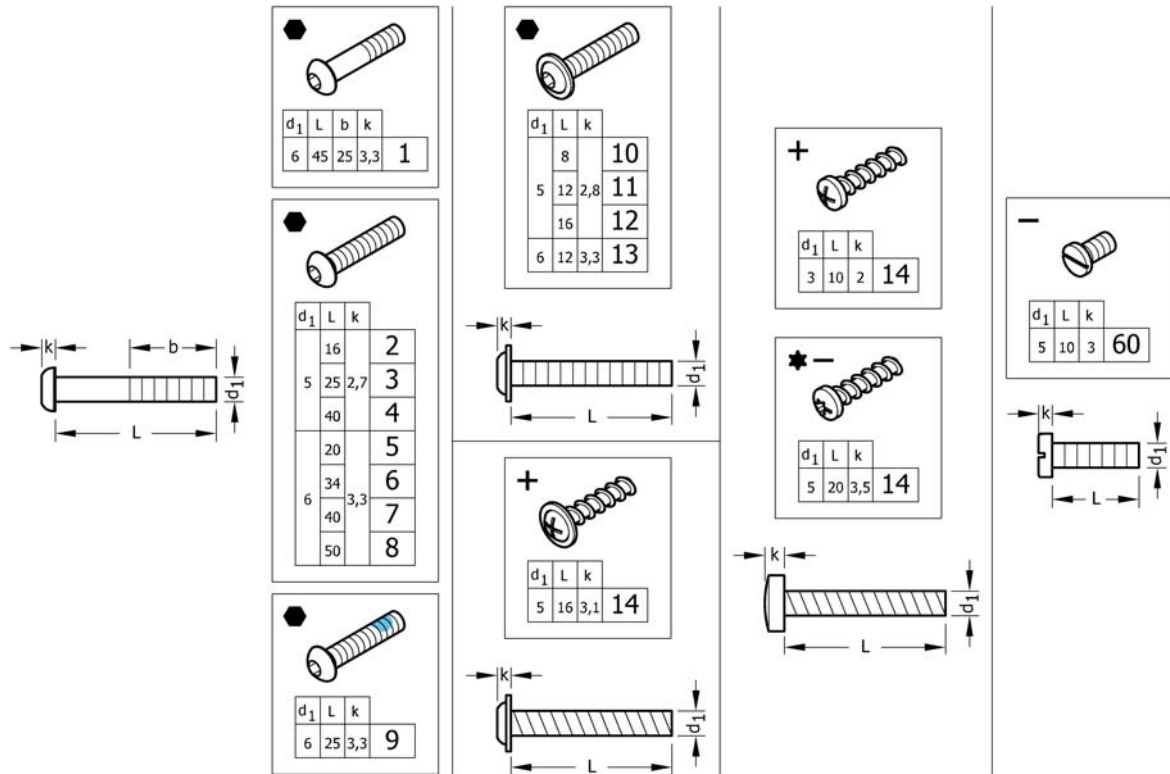
# (Countersunk screws)



1	1579175	(Countersunk head screws partially threaded, Black, M5x45, kit 10 Pcs.) <i>Replaces 1438773 (10x)</i>	1
2	1579176	(Countersunk head screws partially threaded, Black, M6x35, kit 10 Pcs.) <i>Replaces 107.1004 (10x)</i>	1
3	1579177	(Countersunk head screws partially threaded, Black, M6x45, kit 10 Pcs.) <i>Replaces 100.3133 (10x)</i>	1
4	1579178	(Countersunk head screws fully threaded, Black, M5x6, kit 25 Pcs.) <i>Replaces 1445273 (25x)</i>	1
5	1579179	(Countersunk head screws fully threaded, Black, M5x10, kit 25 Pcs.) <i>Replaces 100.3082 (25x)</i>	1
6	1579180	(Countersunk head screws fully threaded, Black, M5x12, kit 25 Pcs.) <i>Replaces 1438999 (25x)</i>	1
7	1579181	(Countersunk head screws fully threaded, Black, M5x14, kit 25 Pcs.) <i>Replaces 107.1015 (25x)</i>	1
8	1579182	(Countersunk head screws fully threaded, Black, M5x16, kit 25 Pcs.) <i>Replaces 100.3085 (25x)</i>	1
9	1579183	(Countersunk head screws fully threaded, Black, M5x18, kit 25 Pcs.) <i>Replaces 100.3086 (25x)</i>	1
10	1579184	(Countersunk head screws fully threaded, Black, M5x20, kit 25 Pcs.) <i>Replaces 100.3087 (25x)</i>	1
11	1579185	(Countersunk head screws fully threaded, Black, M5x22, kit 25 Pcs.) <i>Replaces 1416930 (25x)</i>	1
12	1579186	(Countersunk head screws fully threaded, Black, M5x25, kit 25 Pcs.) <i>Replaces 100.3089 (25x)</i>	1
13	1579187	(Countersunk head screws fully threaded, Black, M5x35, kit 25 Pcs.) <i>Replaces 100.3091 (25x)</i>	1
14	1579188	(Countersunk head screws fully threaded, Black, M5x40, kit 25 Pcs.) <i>Replaces 1432148 (25x)</i>	1
15	1579189	(Countersunk head screws fully threaded, Black, M5x50, kit 25 Pcs.) <i>Replaces 100.3094 (25x)</i>	1
16	1579190	(Countersunk head screws fully threaded, Black, M5x55, kit 25 Pcs.) <i>Replaces 100.3095 (25x)</i>	1
17	1579191	(Countersunk head screws fully threaded, Black, M6x16, kit 25 Pcs.) <i>Replaces 100.3125 (25x)</i>	1
18	1579192	(Countersunk head screws full.Threaded, zinc flake coat., M6x20, kit 25 Pcs.) <i>Replaces 100.3127 (25x)</i>	1

18	1579193	(Countersunk head screws fully threaded, Black, M6x20, kit 25 Pcs.) <i>Replaces 1437809 (25x)</i>	1
19	1579194	(Countersunk head screws fully threaded, Black, M6x25, kit 25 Pcs.) <i>Replaces 100.3129 (25x)</i>	1
20	1579195	(Countersunk head screws fully threaded, Black, M6x30, kit 25 Pcs.) <i>Replaces 100.3130 (25x)</i>	1
21	1579196	(Countersunk head screws fully threaded, Black, M6x40, kit 25 Pcs.) <i>Replaces 100.3132 (25x)</i>	1
22	1579197	(Countersunk head screws fully threaded, Black, M6x50, kit 25 Pcs.) <i>Replaces 100.3134 (25x)</i>	1
23	1579198	(Countersunk head screws fully threaded, Black, M6x55, kit 25 Pcs.) <i>Replaces 100.3135 (25x)</i>	1
24	1579199	(Countersunk head screws fully threaded, Black, M6x60, kit 25 Pcs.) <i>Replaces 100.3136 (25x)</i>	1
25	1579200	(Countersunk head screws fully threaded, Black, TufLok, M6x30, kit 25 Pcs.) <i>Replaces 1550479 (25x)</i>	1
26	1579201	(Countersunk head screws fully threaded, zi.Blue, M3x8, kit 25 Pcs.) <i>Replaces 1529279 (25x)</i>	1
27	1579202	(Countersunk head PT screws, Torx, stainless steel, 3x8, kit 25 Pcs.) <i>Replaces 1529278 (25x)</i>	1
28	1579203	(Countersunk head PT screws, Black, KA40x12, kit 25 Pcs.) <i>Replaces 1438513 (25x)</i>	1
29	1579204	(Countersunk head tapping screws with cone end, Black, ST2,9x6,5, kit 25 Pcs.) <i>Replaces 126.5041 (25x)</i>	1
30	1579205	(Countersunk head tapping screws with cone end, Black, ST4,8x16, kit 25 Pcs.) <i>Replaces 126.5202 (25x)</i>	1
31	1579206	(Countersunk head tapping screws with cone end, Black, ST4,8x38, kit 25 Pcs.) <i>Replaces 126.5207 (25x)</i>	1

## (Button head screws)



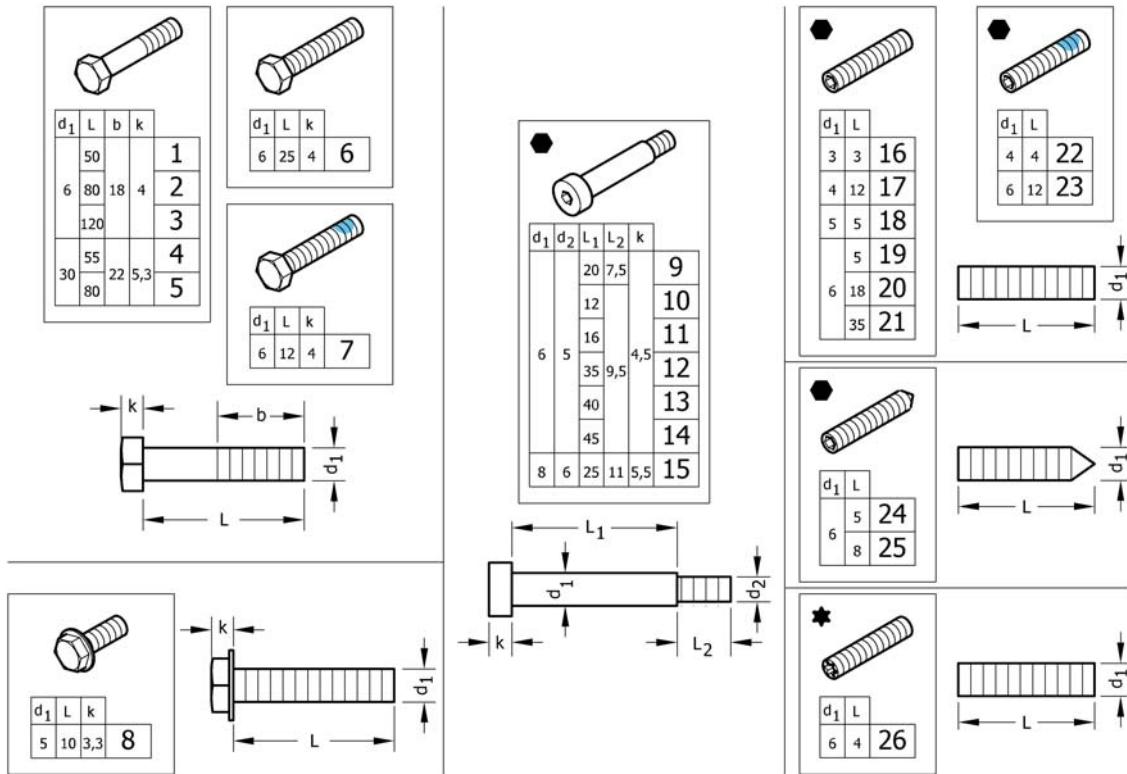
1	1579259	(Hex sock.Button head cap screws partially thread., Black, M6x45, kit 25 Pcs.) <i>Replaces 1438507 (25x)</i>	1
2	1579260	(Hex socket button head cap screws fully threaded, Black, M5x16, kit 25 Pcs.) <i>Replaces 1445341-0003 (25x)</i>	1
3	1579261	(Hex socket button head cap screws fully threaded, Black, M5x25, kit 25 Pcs.) <i>Replaces 107.1021 (25x)</i>	1
4	1579262	(Hex socket button head cap screws fully threaded, Black, M5x40, kit 25 Pcs.) <i>Replaces 1445101-0003 (25x)</i>	1
5	1579263	(Hex socket button head cap screws fully threaded, Black, M6x20, kit 25 Pcs.) <i>Replaces 1439153 (25x)</i>	1
6	1579264	(Hex socket button head cap screws fully threaded, Black, M6x34, kit 25 Pcs.) <i>Replaces 1438506-0003 (25x)</i>	1
7	1579265	(Hex socket button head cap screws fully threaded, Black, M6x40, kit 25 Pcs.) <i>Replaces 1439530-0003 (25x)</i>	1
8	1579266	(Hex socket button head cap screws fully threaded, Black, M6x50, kit 25 Pcs.) <i>Replaces 1439531-0003 (25x)</i>	1
9	1579267	(Hex sock.But.Head cap screws full.Thread., Black, TufLok, M6x25, kit 25 Pcs.) <i>Replaces 1438505 (25x)</i>	1
10	1579268	(Button head socket cap screws with flange, Black, M5x8, kit 25 Pcs.) <i>Replaces 1536268 (25x)</i>	1
11	1579269	(Button head socket cap screws with flange, Black, M5x12, kit 25 Pcs.) <i>Replaces 1529290 (25x)</i>	1
12	1579270	(Button head socket cap screws with flange, Black, M5x16, kit 25 Pcs.) <i>Replaces 1445102-0003 (25x)</i>	1
13	1579271	(Button head socket cap screws with flange, Black, M6x12, kit 25 Pcs.) <i>Replaces 1432204 (25x)</i>	1
14	1579272	(Round washer head PT® screws, form H, zinc plated blue, M5x16, kit 25 Pcs.) <i>Replaces 1536057 (25x)</i>	1

---

15	1579273	(Pan head PT screws, form H, zinc plated blue, M3x10, kit 25 Pcs.) <i>Replaces ZM003510A (25x)</i>	1
16	1579274	(Pan head PT screws, Torx, Black, M5x20, kit 25 Pcs.) <i>Replaces 1424569 (25x)</i>	1
17	1579275	(Slotted machine screws, Black, M5x10, kit 25 Pcs.) <i>Replaces 102.2083 (25x)</i>	1



# (Hex-head screws, diverse, ...)



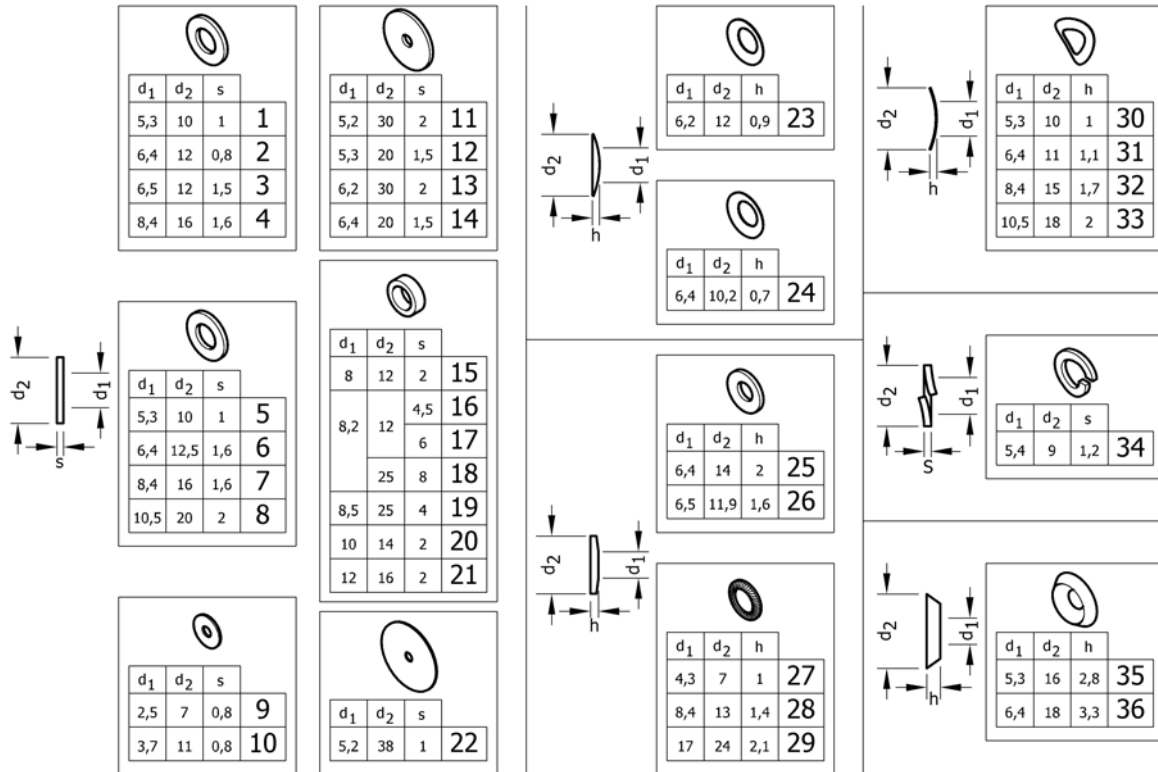
1	1579276	(Hex head bolts partially threaded, Black, M6x50, kit 10 Pcs.) <i>Replaces 101.1134 (10x)</i>	1
2	1579277	(Hex head bolts partially threaded, Black, M6x80, kit 10 Pcs.) <i>Replaces 1438508 (10x)</i>	1
3	1579278	(Hex head bolts partially threaded, Black, M6x120, kit 10 Pcs.) <i>Replaces 1438509 (10x)</i>	1
4	1579279	(Hex head bolts partially threaded, Black, M8x55, kit 10 Pcs.) <i>Replaces 101.1174 (10x)</i>	1
5	1579280	(Hex head bolts partially threaded, Black, M8x80, kit 10 Pcs.) <i>Replaces 101.1179 (10x)</i>	1
6	1579281	(Hex head screws fully threaded, Black, M6x25, kit 10 Pcs.) <i>Replaces 1437299 (10x)</i>	1
7	1579282	(Hex head screws fully threaded, Black, TufLok, M6x12, kit 10 Pcs.) <i>Replaces 1564245 (10x)</i>	1
8	1579283	(Hex flange head machine screws with flangeBlack, M5x10, kit 10 Pcs.) <i>Replaces 107.1014 (10x)</i>	1
9	1579295	(Hex socket head shoulder bolts, Black, Ø6x20 / M5, kit 4 Pcs.) <i>Replaces 1488934-0003 (4x)</i>	1
10	1579296	(Hex socket head shoulder bolts, Black, Ø6x12 / M5, kit 4 Pcs.) <i>Replaces 1564246 (4x)</i>	1
11	1579297	(Hex socket head shoulder bolts, Black, Ø6x16 / M5, kit 4 Pcs.) <i>Replaces 1529291 (4x)</i>	1
12	1579298	(Hex socket head shoulder bolts, Black, Ø6x35 / M5, kit 4 Pcs.) <i>Replaces 1496034 (4x)</i>	1
13	1579299	(Hex socket head shoulder bolts, Black, Ø6x40 / M5, kit 4 Pcs.) <i>Replaces 107.1023 (4x)</i>	1
14	1579300	(Hex socket head shoulder bolts, Black, Ø6x45 / M5, kit 4 Pcs.) <i>Replaces 1496030 (4x)</i>	1
15	1579301	(Hex socket head shoulder bolts, Black, Ø8x25 / M6, kit 4 Pcs.) <i>Replaces ZM008252A (4x)</i>	1
16	1579284	(Hex socket set screws with flat point, Black, M3x3, kit 25 Pcs.) <i>Replaces 116.1001 (25x)</i>	1
17	1579285	(Hex socket set screws with flat point, Black, M4x12, kit 25 Pcs.) <i>Replaces 116.1046 (25x)</i>	1
18	1579286	(Hex socket set screws with flat point, zinc plated blue, M5x5, kit 25 Pcs.) <i>Replaces 116.1081 (25x)</i>	1



**(Hex-head screws, diverse, ...)**

19	1579287	(Hex socket set screws with flat point, Black, M6x5, kit 25 Pcs.) <i>Replaces 1437272 (25x)</i>	1
20	1579288	(Hex socket set screws with flat point, zinc plated blue, M6x18, kit 25 Pcs.) <i>Replaces 1559106 (25x)</i>	1
21	1579289	(Hex socket set screws with flat point, Black, M6x35, kit 25 Pcs.) <i>Replaces 116.1133 (25x)</i>	1
22	1579290	(Hex socket set screws with flat point, Black, TufLok, M4x4, kit 10 Pcs.) <i>Replaces 1493792 (10x)</i>	1
23	1579291	(Hex socket set screws with flat point, Z.Plat.Bl., TufLok, M6x12, kit 10Pcs.) <i>Replaces 1439057 (10x)</i>	1
24	1579292	(Hex socket set screws with cone point, Black, M6x5, kit 25 Pcs.) <i>Replaces 116.2121 (25x)</i>	1
25	1579293	(Hex socket set screws with cone point, Black, M6x8, kit 25 Pcs.) <i>Replaces 116.2123 (25x)</i>	1
26	1579294	(Screws with cup point, Torx, zinc plated blue, M6x4, kit 25 Pcs.) <i>Replaces 1567763 (25x)</i>	1

# (Washers)

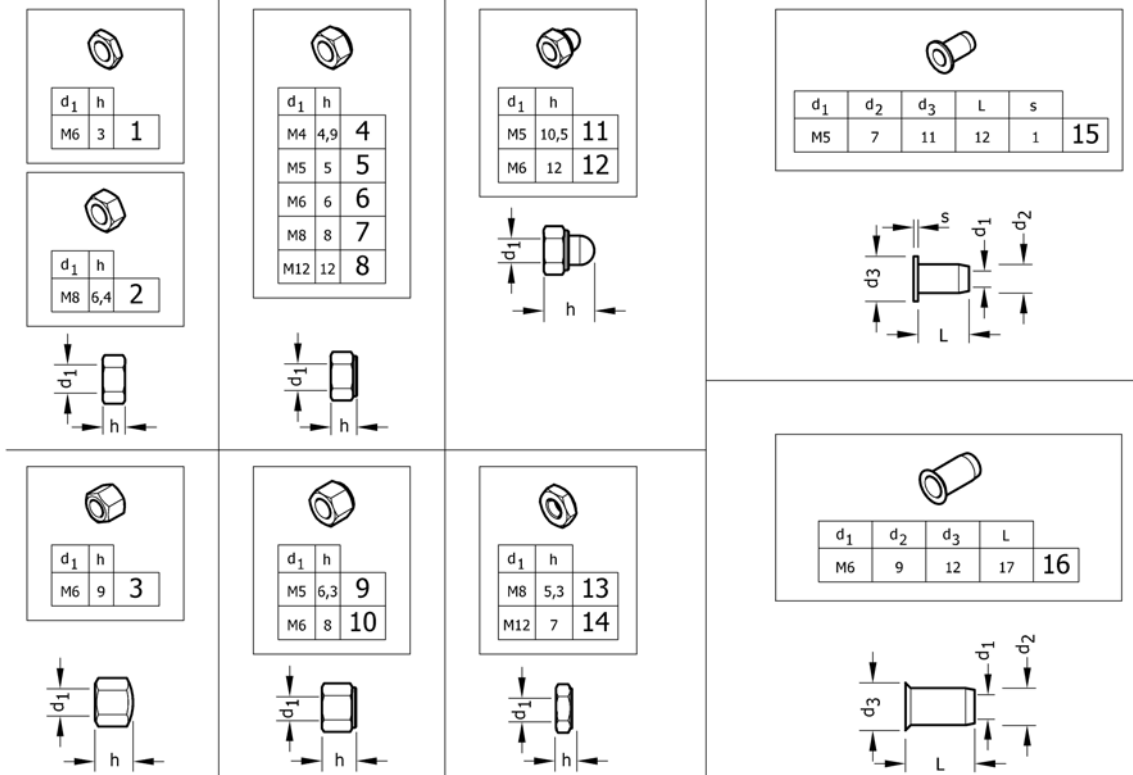


1	1579225	(Flat washers without chamfer, black, 5,3x10x1, kit 50 Pcs.) <i>Replaces 150.1004 (50x)</i>	1
2	1579226	(Flat washers without chamfer, black, 6,4x12x0,8, kit 50 Pcs.) <i>Replaces 150.2001 (50x)</i>	1
3	1579227	(Flat washers without chamfer, zinc plated blue, 6,5x12x1,5, kit 50 Pcs.) <i>Replaces 5729091 (50x)</i>	1
4	1579228	(Flat washers without chamfer, black, 8,4x16x1,6, kit 50 Pcs.) <i>Replaces 150.1012 (50x)</i>	1
5	1579229	(Flat washers without chamfer, polyamide, 5,3x10x1, kit 50 Pcs.) <i>Replaces 150.3003 (50x)</i>	1
6	1579230	(Flat washers without chamfer, polyamide, 6,4x12,5x1,6, kit 50 Pcs.) <i>Replaces 150.3004 (50x)</i>	1
7	1579231	(Flat washers without chamfer, polyamide, 8,4x16x1,6, kit 50 Pcs.) <i>Replaces 150.3005 (50x)</i>	1
8	1579232	(Flat washers without chamfer, polyamide, 10,5x20x2, kit 50 Pcs.) <i>Replaces 150.3006 (50x)</i>	1
9	1579233	(Flat washers without chamfer, zinc plated blue, 2,5x7x0,8, kit 50 Pcs.) <i>Replaces 150.2012 (50x)</i>	1
10	1579234	(Flat washers without chamfer, zinc plated blue, 3,7x11x0,8, kit 50 Pcs.) <i>Replaces ZM203501A (50x)</i>	1
11	1579235	(Flat washers without chamfer, black, 5,2x30x2, kit 20 Pcs.) <i>Replaces 150.2006 (20x)</i>	1
12	1579236	(Flat washers without chamfer, black, 5,3x20x1,5, kit 50 Pcs.) <i>Replaces 150.2010 (50x)</i>	1
13	1579237	(Flat washers without chamfer, black, 6,2x30x2, kit 20 Pcs.) <i>Replaces 150.2009 (20x)</i>	1
14	1579238	(Flat washers without chamfer, black, 6,4x25x1,5, kit 50 Pcs.) <i>Replaces 1451753 (50x)</i>	1
15	1579239	(Hinge rings, black, 8x12x2, kit 50 Pcs.) <i>Replaces 150.5002 (50x)</i>	1
16	1579240	(Distance sleeve, alu, 8,2x12x4,5, kit 20 Pcs.) <i>Replaces 1420970 (20x)</i>	1
17	1579241	(Distance sleeve, alu, 8,2x12x6, kit 20 Pcs.) <i>Replaces 1420969 (20x)</i>	1
18	1581292	(Distance sleeve, alu, 8,2x25x8, kit 2 Pcs.) <i>Replaces 151.1002 (2x)</i>	1

**(Washers)**

19	1583052	(Distance sleeve, alu, black, 8,5x25x4, kit 10 Pcs.) <i>Replaces 151.1014 (10x)</i>	1
20	1579242	(Hinge rings, zinc plated blue, 10x14x2, kit 50 Pcs.) <i>Replaces 1506666 (50x)</i>	1
21	1579243	(Hinge rings, black, 12x16x2, kit 50 Pcs.) <i>Replaces 150.5006 (50x)</i>	1
22	1579244	(Rubber washers, 5,2x38x1, kit 20 Pcs.) <i>Replaces 1424891 (20x)</i>	1
23	1579245	(Disc springs, black, 6,2x12x0,9, kit 50 Pcs.) <i>Replaces 160.1015 (50x)</i>	1
24	1579246	(Conical spring washers, zinc plated blue, 6,4x10,2x0,7, kit 50 Pcs.) <i>Replaces 161.1004 (50x)</i>	1
25	1579247	(Conical spring washers, black, 6,4x14x2, kit 50 Pcs.) <i>Replaces 161.2004 (50x)</i>	1
26	1579248	(Conical spring washers, zinc plated blue, 6,5x11,9x1,6, kit 50 Pcs.) <i>Replaces ZM206001A (50x)</i>	1
27	1579249	(Ribbed lock washers, black, 4,3x7x1, kit 50 Pcs.) <i>Replaces 155.2002 (50x)</i>	1
28	1579250	(Ribbed lock washers, zinc plated blue, 8,4x13x1,4, kit 50 Pcs.) <i>Replaces 155.2005 (50x)</i>	1
29	1579251	(Ribbed lock washers, zinc plated blue, 17x24x2,1, kit 50 Pcs.) <i>Replaces 155.2009 (50x)</i>	1
30	1579252	(Curved spring washers, black, 5,3x10x1, kit 50 Pcs.) <i>Replaces 1438515 (50x)</i>	1
31	1579253	(Curved spring washers, black, 6,4x11x1,1, kit 50 Pcs.) <i>Replaces 1438516 (50x)</i>	1
32	1579254	(Curved spring washers, zinc plated blue, 8,4x15x1,7, kit 50 Pcs.) <i>Replaces ZM208003A (50x)</i>	1
33	1579255	(Curved spring washers, zinc plated blue, 10,5x18x2, kit 50 Pcs.) <i>Replaces ZM201581A (50x)</i>	1
34	1579256	(Split spring lock washers, black, 5,4x9x1,2, kit 50 Pcs.) <i>Replaces 155.1003 (50x)</i>	1
35	1579257	SKIVE FORSENKET 90G M5° 3x16x2,8 50 stk <i>Replaces 150.6003 (50x)</i>	1
36	1579258	SKIVE FORSENKET 90G M6° 4x18x3,3 50 stk <i>Replaces 150.6004 (50x)</i>	1

# (Nuts)

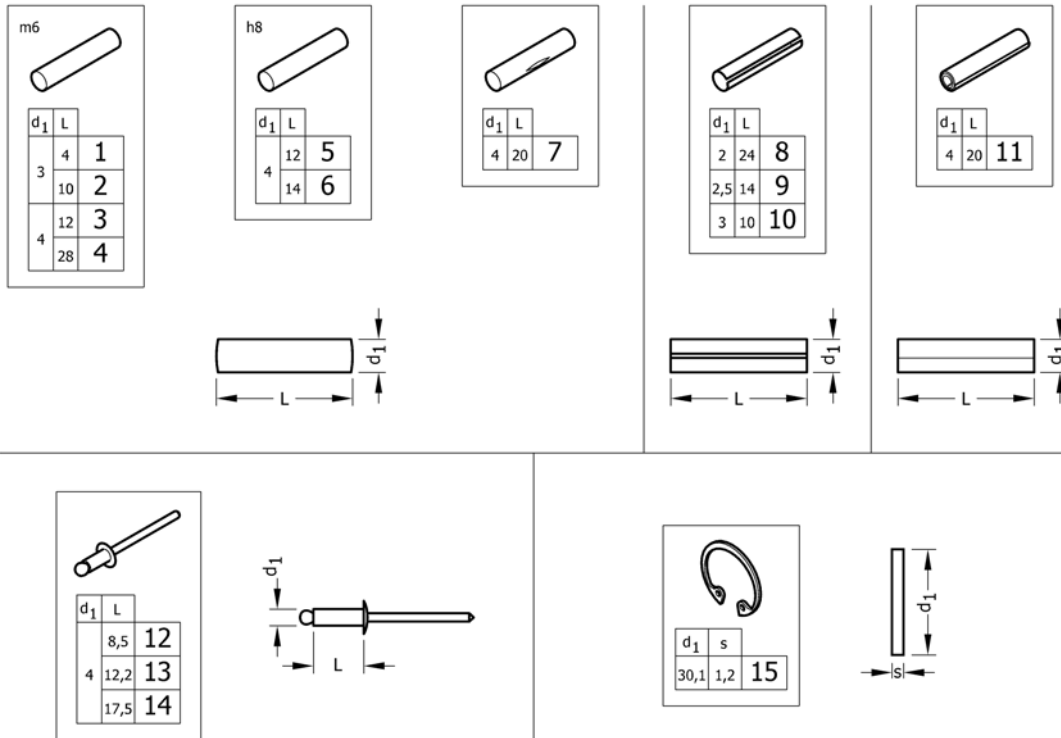


1	1579207	(Hex jam nuts, black, M6, kit 25 Pcs.) <i>Replaces 108.3004 (25x)</i>	1
2	1579208	(Hexagon nuts , black, M8, kit 25 Pcs.) <i>Replaces 1420997 (25x)</i>	1
3	1579209	(Hex cap nuts, low type, black, M6, kit 25 Pcs.) <i>Replaces 109.5009 (25x)</i>	1
4	1579210	(Prev.Torque lock nuts, thin type, with polyam.Insert, black, M4, kit 25 Pcs.) <i>Replaces 109.1002 (25x)</i>	1
5	1579211	(Prev.Torque lock nuts, thin type, with polyam.Insert, black, M5, kit 25 Pcs.) <i>Replaces 109.1003 (25x)</i>	1
5	1579212	(Prev.Torque lock nuts, thin type, with polyam.Insert, zi.Bl., M5, kit 25 Pcs.) <i>Replaces 109.5008 (25x)</i>	1
6	1579213	(Prev.Torque lock nuts, thin type, with polyam.Insert, black, M6, kit 25 Pcs.) <i>Replaces 109.1004 (25x)</i>	1
6	1579214	(Prev.Torque lock nuts, thin type, with polyam.Insert, zi.Bl., M6, kit 25 Pcs.) <i>Replaces ZM106001A (25x)</i>	1
7	1579215	(Prev.Torque lock nuts, thin type, with polyam.Insert, black, M8, kit 25 Pcs.) <i>Replaces 109.1005 (25x)</i>	1
8	1579216	(Prev.Torque lock nuts, thin type, with polyam.Insert, black, M12, kit 4 Pcs.) <i>Replaces 109.1007 (4x)</i>	1
9	1579217	(Preva.Torq.Hex lock nuts, high type with poly.Insert, black, M5, kit 25 Pcs.) <i>Replaces 1493771 (25x)</i>	1
10	1579218	(Preva.Torq.Hex lock nuts, high type with poly.Insert, black, M6, kit 25 Pcs.) <i>Replaces 109.5001 (25x)</i>	1
11	1579219	(Prevail.Torque hex domed cap nuts with polyam.Insert, black, M5, kit 25 Pcs.) <i>Replaces 109.5006 (25x)</i>	1
12	1579220	(Prevail.Torque hex domed cap nuts with polyam.Insert, black, M6, kit 25 Pcs.) <i>Replaces 109.5003 (25x)</i>	1
13	1579221	(Prevailing torque hex lock nuts, all-metal, thin typeblack, M8, kit 10 Pcs.) <i>Replaces 109.5005 (10x)</i>	1

---

14	1579222	(Prevailing torque hex lock nuts, all-metal, thin typeblack, M12, kit 4 Pcs.) <i>Replaces 109.5004 (4x)</i>	1
15	1579223	(Blind rivet nuts, flat head, open type, black, M5, kit 10 Pcs.) <i>Replaces 180.4007 (10x)</i>	1
16	1579224	(Blind rivet nut with low countersunk head, open type, black, M6, kit 10 Pcs.) <i>Replaces 180.4105 (10x)</i>	1

**(Pins, rivets, ...)**



1	1579302	(Parallel pins, Ø3x4 m6, kit 10 Pcs.) <i>Replaces 1439336 (10x)</i>	1
2	1579303	(Parallel pins, Ø3x10 m6, kit 10 Pcs.) <i>Replaces 1439337 (10x)</i>	1
3	1579304	(Parallel pins, Ø4x12 m6, kit 20 Pcs.) <i>Replaces 200.1124 (20x)</i>	1
4	1579305	(Parallel pins, Ø4x28 m6, kit 20 Pcs.) <i>Replaces 1437344 (20x)</i>	1
5	1579306	(Parallel pins, Ø4x12 h8, kit 20 Pcs.) <i>Replaces 1487663 (20x)</i>	1
6	1579307	(Parallel pins, Ø4x14 h8, kit 20 Pcs.) <i>Replaces 1487662 (20x)</i>	1
7	1579308	(Grooved pins, center grooved, Ø4x20, kit 20 Pcs.) <i>Replaces 1517718 (20x)</i>	1
8	1579309	(Slotted spring pins, heavy duty, Black, Ø2x24, kit 20 Pcs.) <i>Replaces 200.4011 (20x)</i>	1
9	1579310	(Slotted spring pins, heavy duty, Black, Ø2,5x14, kit 20 Pcs.) <i>Replaces 200.4007 (20x)</i>	1
10	1579311	(Slotted spring pins, heavy duty, stainless steel, Ø3x10, kit 20 Pcs.) <i>Replaces 1567997 (20x)</i>	1
11	1579312	(Spiral spring pins, Black, Ø4x20, kit 20 Pcs.) <i>Replaces 200.3167 (20x)</i>	1
12	1579313	(Dome head blind rivets, Ø4x8,5, kit 20 Pcs.) <i>Replaces 1439292 (20x)</i>	1
13	1579314	(Dome head blind rivets, Ø4x12,2, kit 20 Pcs.) <i>Replaces 180.5116 (20x)</i>	1
14	1579315	(Dome head blind rivets, Ø4x17,5, kit 20 Pcs.) <i>Replaces 180.5019 (20x)</i>	1
15	1579316	(Retaining rings for bores, Std.Design, Z.plat.Blue, Ø30,1X1,2, kit 20 Pcs.) <i>Replaces ZM50J281A (20x)</i>	1





Yes, you can.®



---

**Belgium & Luxemburg:**

Invacare nv, Autobaan 22, B-8210 Loppem  
Tel: (32) (0)50 83 10 10, Fax: (32) (0)50 83 10 11  
belgium@invacare.com / www.invacare.be

**Denmark:**

Invacare A/S, Sdr. Ringvej 37, DK-2605 Brøndby  
Tel: (45) (0)36 90 00 00, Fax: (45) (0)36 90 00 01  
denmark@invacare.com / www.invacare.dk

**Deutschland:**

Invacare Aquatec GmbH, Alemannenstraße 10, D-88316 Isny  
Tel: (49) (0)75 62 7 00 0, Fax: (49) (0)75 62 7 00 66  
info@invacare-aquatec.com / www.invacare-aquatec.de

**European Distributor Organisation:**

Invacare, Kleiststraße 49, D-32457 Porta Westfalica  
Tel: (49) (0)57 31 754 540, Fax: (49) (0)57 31 754 541  
edo@invacare.com / www.invacare.eu.com

**España:**

Invacare SA, c/Areny s/n, Polígon Industrial de Celrà, E-17460 Celrà (Girona)  
Tel: (34) (0)972 49 32 00, Fax: (34) (0)972 49 32 20  
contactsp@invacare.com / www.invacare.es

**France:**

Invacare Poirier SAS, Route de St Roch, F-37230 Fondettes  
Tel: (33) (0)2 47 62 64 66, Fax: (33) (0)2 47 42 12 24  
contactfr@invacare.com / www.invacare.fr

**Ireland:**

Invacare Ireland Ltd, Unit 5 Seatown Business Campus, Seatown Road, Swords, County Dublin - Ireland  
Tel: (353) 1 810 7084, Fax: (353) 1 810 7085  
ireland@invacare.com / www.invacare.ie

**Italia:**

Invacare Mecc San s.r.l., Via dei Pini 62, I-36016 Thiene (VI)  
Tel: (39) 0445 38 00 59, Fax: (39) 0445 38 00 34  
italia@invacare.com / www.invacare.it

**Nederland:**

Invacare BV, Celsiusstraat 46, NL-6716 BZ Ede  
Tel: (31) (0)318 695 757, Fax: (31) (0)318 695 758  
nederland@invacare.com, csede@invacare.com / www.invacare.nl

**Norge:**

Invacare AS, Grensingsvingen 9, Postboks 6230, Etterstad, N-0603 Oslo  
Tel: (47) (0)22 57 95 00, Fax: (47) (0)22 57 95 01  
norway@invacare.com, island@invacare.com / www.invacare.no

**Österreich:**

Invacare Austria GmbH, Herzog Odilostrasse 101, A-5310 Mondsee  
Tel: (43) 6232 5535 0, Fax: (43) 6232 5535 4  
info-austria@invacare.com / www.invacare.at

**Portugal:**

Invacare Lda, Rua Estrada Velha, 949, P-4465-784 Leça do Balio  
Tel: (351) (0)225 1059 46/47, Fax: (351) (0)225 1057 39  
portugal@invacare.com / www.invacare.pt

**Sverige & Suomi:**

Invacare AB, Fagerstagatan 9, S-163 91 Spånga  
Tel: (46) (0)8 761 70 90, Fax: (46) (0)8 761 81 08  
sweden@invacare.com, finland@invacare.com / www.invacare.se

**Switzerland:**

Invacare AG, Benkenstrasse 260, CH-4108 Witterswil  
Tel: (41) (0)61 487 70 80, Fax: (41) (0)61 487 70 81  
switzerland@invacare.com / www.invacare.ch

**United Kingdom:**

Invacare Limited, Pencoed Technology Park, Pencoed, Bridgend CF35 5AQ  
Switchboard Tel: (44) (0)1656 776200, Fax: (44) (0)1656 776201  
Customer services Tel: (44) (0)1656 776222, Fax: (44) (0)1656 776220  
uk@invacare.com / www.invacare.co.uk