

# *Spare Parts Catalogue*

---

Version: 2015/06/23a NO



**rea Clematis®**



**Yes, you can.®**

## **General Information**

*For any order of spare parts the following information is required:*

- Product type*
- Product name & model*
- Serial Number*
- Part-Number*
- Part-Description*

*Exploded view drawings and code numbers are not contractual and subject to modification, in relation to Invacare® continuous product improvement policy to meet end users needs.*

*The reproduction or use of this work, or of any substantial part of this work, in any form or by any electronic, mechanical or other means, including photocopying, scanning and recording, and in any information storage and retrieval system, including electronic transmission, is forbidden without the prior written permission of Invacare® International Sarl.*



Yes, you can.®

## TABLE OF CONTENTS

---

### Chassis

(Chassis) .....	5
((only for France)) .....	6
(Seat and backrest tilt, assistant man.) .....	7
(Seat and backrest tilt, assistant man. (=> 2011.04)) .....	8
(Castor attachment, fixed) .....	9
(Seat frame) .....	10

### Sete

(Seat cushion, Flo-shape) .....	11
(Seat cushion, Flo-shape =>2012-04-01) .....	12
(Seat cushion, Mistral2) .....	13
(Seat cushion, Flo-tech contour Visco (only for France)) .....	14

### Rygg

(Backrest, Laguna2) .....	15
(Backrest, tension adjustable) .....	16

### Benstøtte

(Legrest AA, ALU2008) .....	17
-----------------------------	----

### Fotplater

(Footrest, fixed, Alu2003) .....	18
(Footrest, AA, Alu2003) .....	19
(Footrest AA, Poirier) .....	21
(Heel strap) .....	22

### Sidegrind

(Armrest, Ducktail) .....	23
(Armrest, hemiplegic) .....	24
(Armrest, padded) .....	25

### Svinghjul

(Castor wheels) .....	26
-----------------------	----

### Drivhjul

(Wheel 12") .....	27
(Wheels 24" Basic) .....	28
(Wheels 24" Basic DB) .....	29
(Wheel 24-22-20") .....	30
DRIVRING RUSTFRI 24 HJUL KPL .....	32
(Wheel 24-22" DB) .....	33
DRIVRING RUSTFRI 24 HJUL KPL .....	32

### Bremser

(Brakes) .....	35
(Brake attachment) .....	36



Yes, you can.®

## TABLE OF CONTENTS

---

(Drumbrake, assistant manoeuvred) .....	37
(Drumbrake, assistant manoeuvred (=>04.2011)) .....	38

### Sikkerhetsutstyr

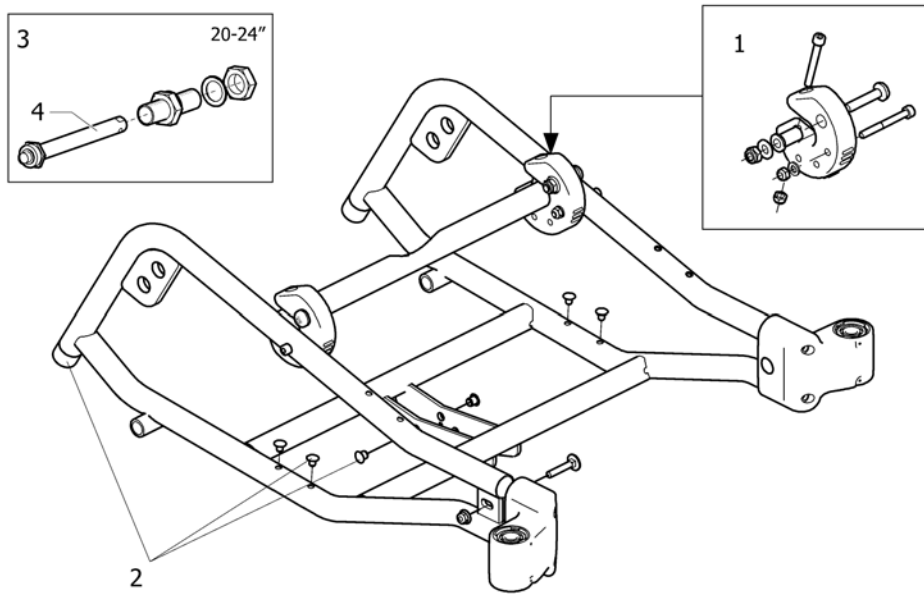
(Pelvic belt) .....	39
(Reflector) .....	40
(Anti-tip device) .....	41

### Setetilbehør

(Headrest) .....	42
(Neckrest) .....	43
(Cheek support) .....	44
(Trunk support, Laguna2) .....	45
(Trunk support, Laguna2 (->2012.04)) .....	46
(Trunk support, Swingaway, Laguna2) .....	47
(Trunk support, Swingaway, Laguna2 (->2012.04)) .....	48
(Trunk support, multi adj, Swingaway, Laguna2) .....	49
(Pommel) .....	50
(Head-/Neckrest pole) .....	51

### Tilbehør og valg

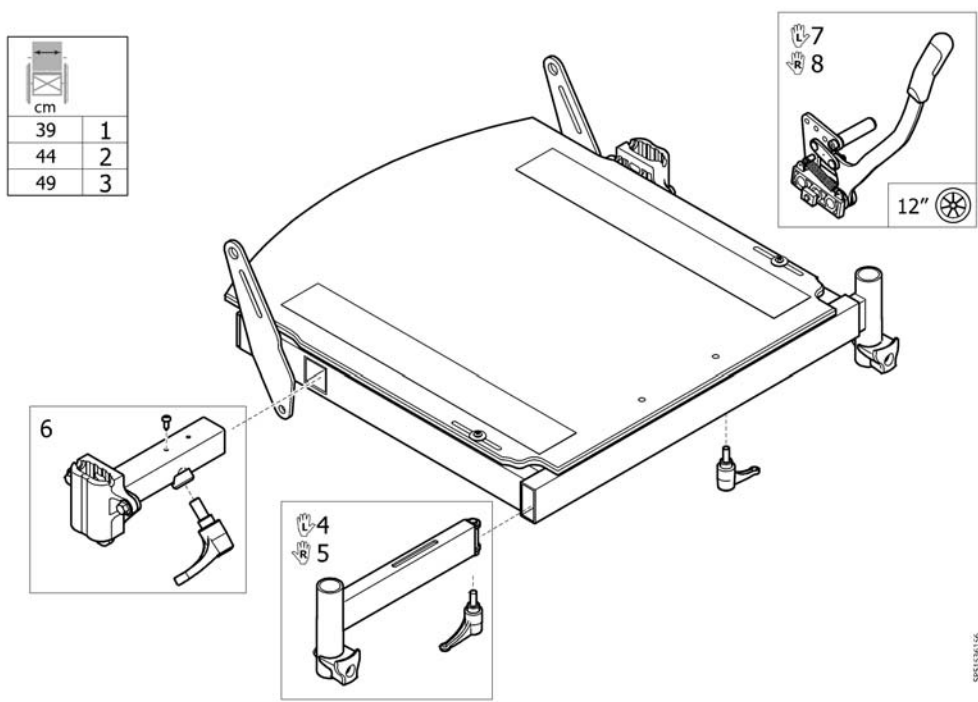
(Dripstand) .....	52
(Table tray) .....	53
(Table tray, Azalea Max) .....	54



090011505

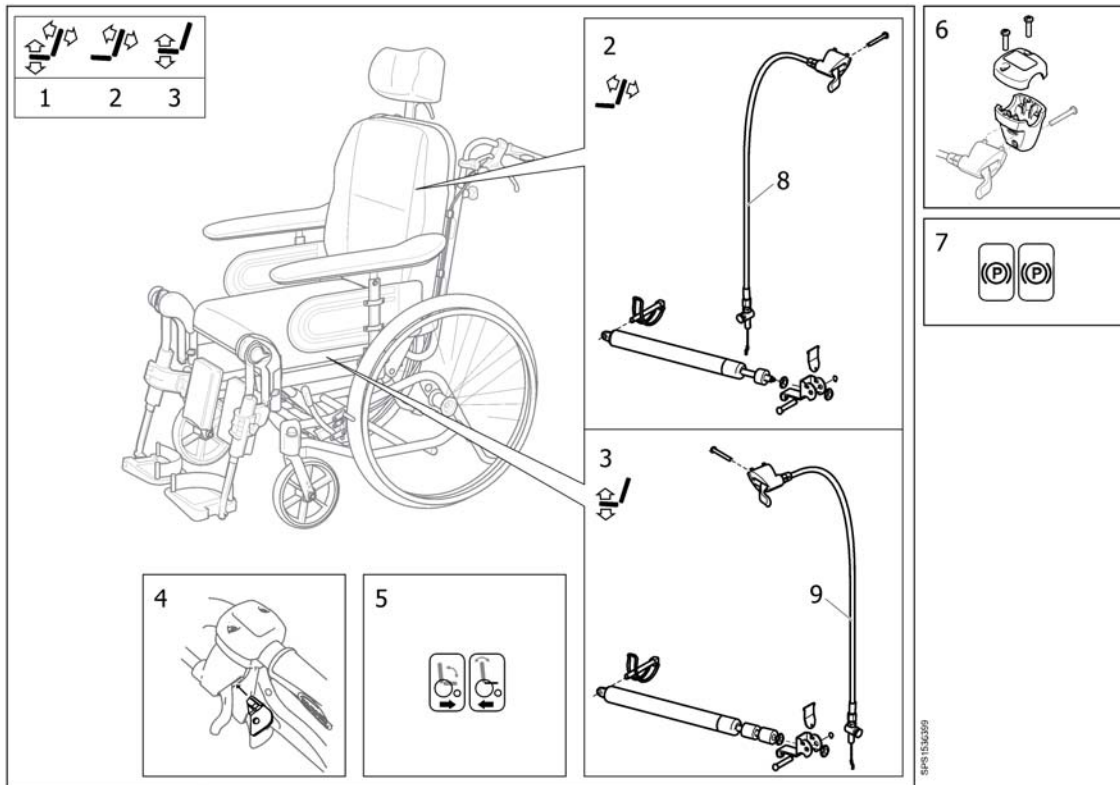
1	1495776	(PLASTIC LINK CPL., PAIR)	1
2	1495777	(PLUG KIT CPL, CHASSIS, CLEMATIS)	1
3	5750166	MUTTERSTYKKE KPL QR STK AZALEA	1
4	5750165	DRIVHJULSAKSEL QR STK SPINNER+REA+XLT ETC	1

**((only for France))**



1	1536155	(SEAT FRAME CL 39 WIDTH ADJ. CPL)	1
2	1536156	(SEAT FRAME CL 44 WIDTH ADJ. CPL)	1
3	1536207	(SEAT FRAME CL 49 WIDTH ADJ. CPL)	1
4	1536126	(LEGREST ATT. WIDTH ADJ. CPL, LEFT, CLEMATIS)	1
5	1536125	(LEGREST ATT. WIDTH ADJ. CPL, RIGHT, CLEMATIS)	1
6	1536127	(ARMREST ATT. WIDTH ADJ. CPL, CLEMATIS)	1
7	1508981	BREMS KPL BØYD SPAK VE AZALEA MINOR/AZALEA BASE	1
8	1508980	BREMS KPL BØYD SPAK HØ AZALEA	1

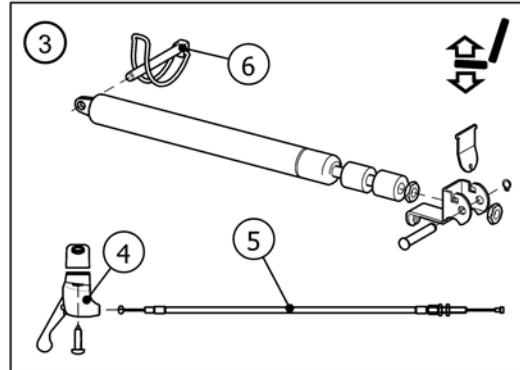
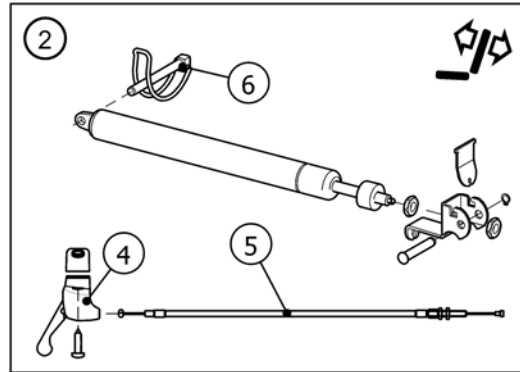
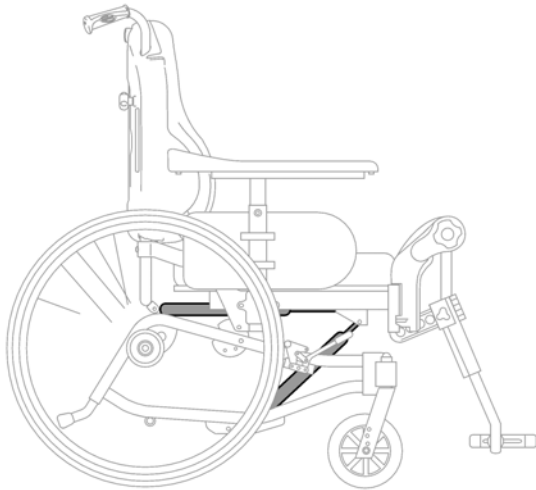
## (Seat and backrest tilt, assistant man.)



1	1536399	(ASS. OPER. SEAT+BACKREST TB CPL)	1
2	1536400	(MANOUVERING KIT BACKREST CPL)	1
3	1536401	(MANOUVERING KIT SEAT CPL)	1
4	1527435	(LOCKING DEVICE, MANOUVERING KIT)	1
5	1536373	ETIKETTER TILT AZALEA	1
6	1527287	TILTHUS KPL AZALEA	1
7	1536764	ETIKETTER, KABLER, BROMS	1
8	1536330	(CABLE ASSY 1363, LH, TILT, INCL. SCREW)	1
9	1536327	WIRE SETE TILT HØYRE L=136,3 MM M/SKRUE	1

**(Seat and backrest tilt, assistant man. (=> 2011.04))**



Clematis	1	2	3

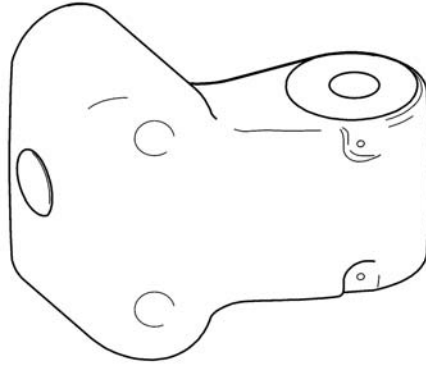


SPS1508078

1	1508078	(KIT SEAT AND BACKREST, ERGOMATIS)	1
2	1508076	(PISTON KIT BACKREST, ERGOMATIS)	1
3	1508075	(PISTON KIT SEAT, ERGOMATIS)	1
4	1431734	HÄNTAK KPL REGULERINGS SATS BELLIS 1/7-03 ->	1
5	1508063	WIRE TILT AZALEA	1
6	1439936	LÄSSPLINT 8X60 BORA	1



 	 
1	2 2

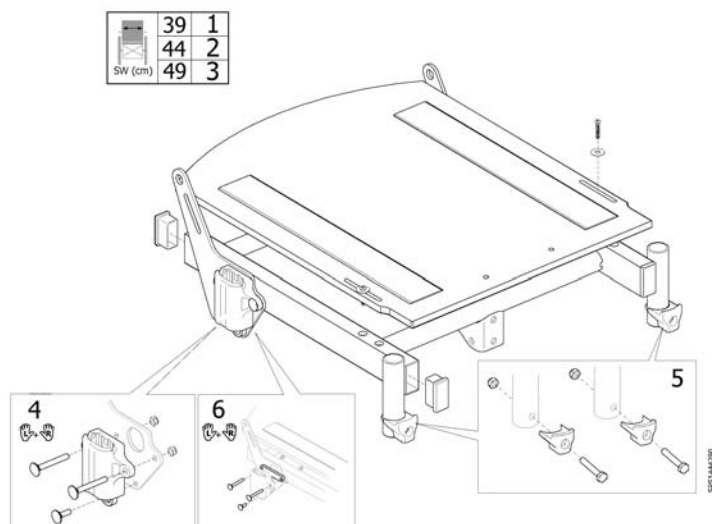


00000000

---

5254309	SVINGHJULFESTE FAST PAR	1
5254308	LÅSHUS FASTE SVINGHJUL ALLE MODELLER STK	2

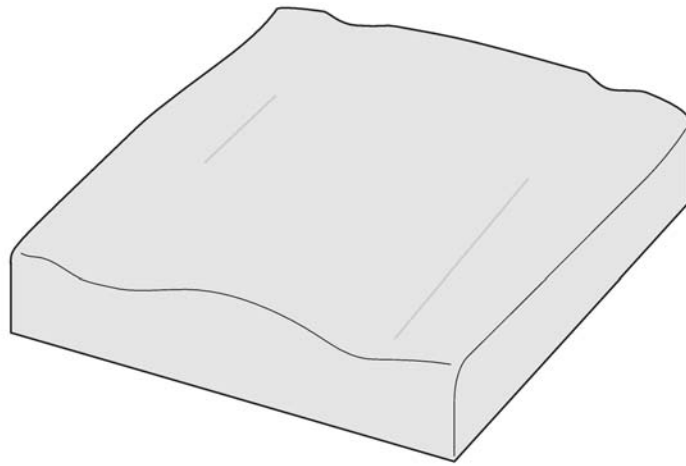
## (Seat frame)



1	1444290	(SEAT FRAME 39 CPL, CLEMATIS)	1
2	1444291	(SEAT FRAME 44 CPL, CLEMATIS)	1
3	1444292	(SEAT FRAME 49 CPL, CLEMATIS)	1
4	1522926	(ATTACHMENT, ARMREST, PAIR)	1
5	1508091	STOPPER TIL BENSTØTTE KPL.MED SKRUE REA	1
6	5106222	BREDDEØKN. SATS + 1CM ADAPT/SPIREA PR.SIDE	1

**(Seat cushion, Flo-shape)**

SW (mm)	TR26	TR35	TR36
<b>Azalea</b>			
340	1	2	3
390	4	5	6
390 +50	4	5	6
390 +100	7	8	9
440	7	8	9
440 +50	7	8	9
440 +100	10	11	12
490	10	11	12
490 +50	10	11	12
490 +100	10	11	12
<b>Bellis</b>			
Small 410	4	5	
Medium 460	7	8	
Large 510	10	11	
<b>Clematis</b>			
390	1	2	
440	4	5	
490	7	8	
<b>Dahlia</b>			
390	4	5	
390 +50	4	5	
390 +100	7	8	
440	7	8	
440 +50	7	8	
440 +100	10	11	
490	10	11	
490 +50	10	11	
490 +100	10	11	

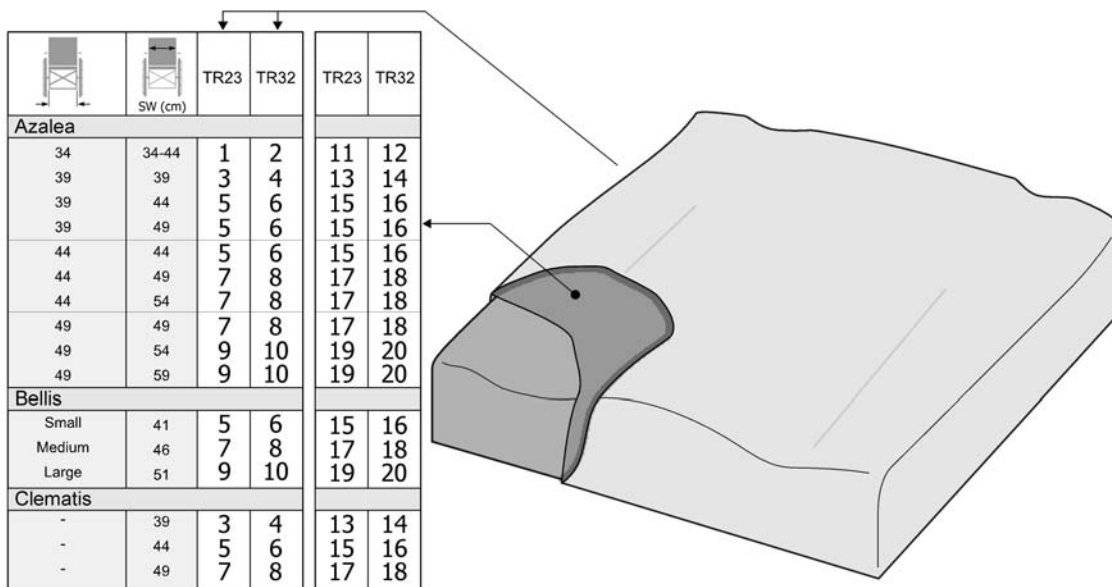


	Färg	Colour	Farbe	Couleur
TR26	dartex svart	dartex black	dartex schwarz	dartex noir
TR35	plysch svart	plysch black	plüsch schwarz	velours noir
TR36	spacer svart	spacer black	spacer schwarz	spacer noir

© 2019/15/24

1	1509920-TR26	PUTE SETE FLO-SHAPE 330X 450 TR23	1
2	1509920-TR35	PUTE SETE FLO-SHAPE 330X 450 TR35	1
3	SP1509920-TR36	(SEAT CUSHION, FLOSHAPE, 355X450, SPACER BLACK)	1
4	1508055-TR26	PUTE SETE FLO-SHAPE 405X 535 TR26	1
5	1508055-TR35	PUTE SETE FLO-SHAPE 405X 535 TR35	1
6	SP1508055-TR36	(SEAT CUSHION, FLOSHAPE, 405X535, SPACER BLACK)	1
7	1508057-TR26	PUTE SETE FLO-SHAPE 455X 535 TR26	1
8	1508057-TR35	PUTE SETE FLO-SHAPE 455X 535 TR35	1
9	SP1508057-TR36	(SEAT CUSHION, FLOSHAPE, 455X535, SPACER BLACK)	1
10	1508059-TR26	PUTE SETE FLO-SHAPE 505X 535 TR26	1
11	1508059-TR35	PUTE SETE FLO-SHAPE 505X 535 TR35	1
12	SP1508059-TR36	(SEAT CUSHION, FLOSHAPE, 505X535, SPACER BLACK)	1


**(Seat cushion, Flo-shape =>2012-04-01)**

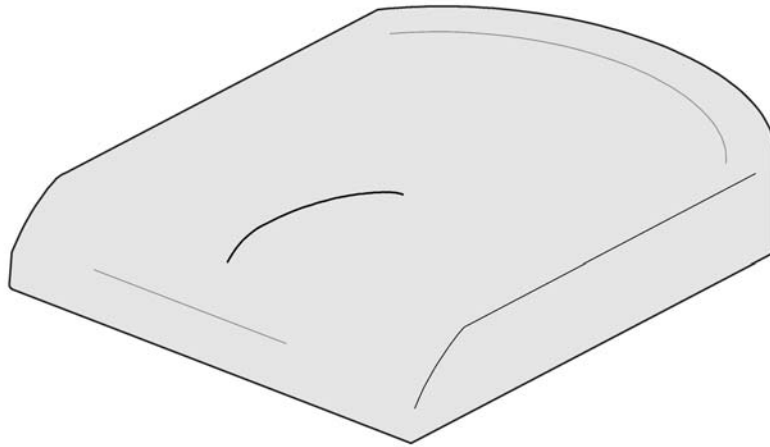


	Färg	Colour	Farbe	Couleur
TR23	dartex grå	dartex grey	dartex grau	dartex gris
TR32	plysch grå PRIMA	plush grey PRIMA	Rusch grau PRIMA	velours gris PRIMA

SP103063

1	1509920	PUTE SETE FLO-SHAPE sb34 TR 23	1
2	1508976	PUTE FLO-SHAPE 330 AZALEA SB 34 T32	1
3	1508053	PUTE SETE FLO-SHAPE 355X535 TR 23	1
4	1508054	PUTE SETE FLO-SHAPE 355X535 TR 32	1
5	1508055	PUTE SETE FLO-SHAPE 405X535 TR 23	1
6	1508056	PUTE SETE FLO-SHAPE 405X535 TR 32	1
7	1508057	PUTE SETE FLO-SHAPE 455X535 TR 23	1
8	1508058	PUTE SETE FLO-SHAPE 455X535 TR 32	1
9	1508059	PUTE SETE FLO-SHAPE 505X535 TR 23	1
10	1508060	PUTE SETE FLO-SHAPE 505X535 TR 32	1
11	1508977	(UPHOLSTERY 330X450 SEAT, FLO-SHAPE TR23)	1
12	1510626	(UPHOLSTERY 330X450 SEAT, FLO-SHAPE TR32)	1
13	1508081	INKOTREKK FLO-SHAPE 355X535	1
14	1508082	TREKK FLO-SHAPE GRÅ PLUSH 355X535	1
15	1508083	INKOTREKK FLO-SHAPE 405X535	1
16	1508084	(UPHOLSTERY, SEAT, FLO-SHAPE 405X535, PLUSH GREY PRIMA)	1
17	1508085	(UPHOLSTERY, SEAT, FLO-SHAPE 455X535, DARTEX GREY)	1
18	1508086	(UPHOLSTERY, SEAT, FLO-SHAPE 455X535, PLUSH GREY PRIMA)	1
19	1508087	(UPHOLSTERY, SEAT, FLO-SHAPE 505X535, DARTEX GREY)	1
20	1508088	(UPHOLSTERY, SEAT, FLO-SHAPE 505X535, PLUSH GREY PRIMA)	1

		
SW (mm)		
<b>Azalea</b>	TR26	TR23
390	1	
440	2	
490	3	
<b>Dahlia</b>	TR26	TR23
390	1	
390 +50	2	
390 +100	3	
440	2	
440 +50	3	
440 +100	4	
490	3	
490 +50	4	
490 +100	4	
<b>Clematis</b>	TR26	TR23
390	1	5
440	2	6
490	3	7



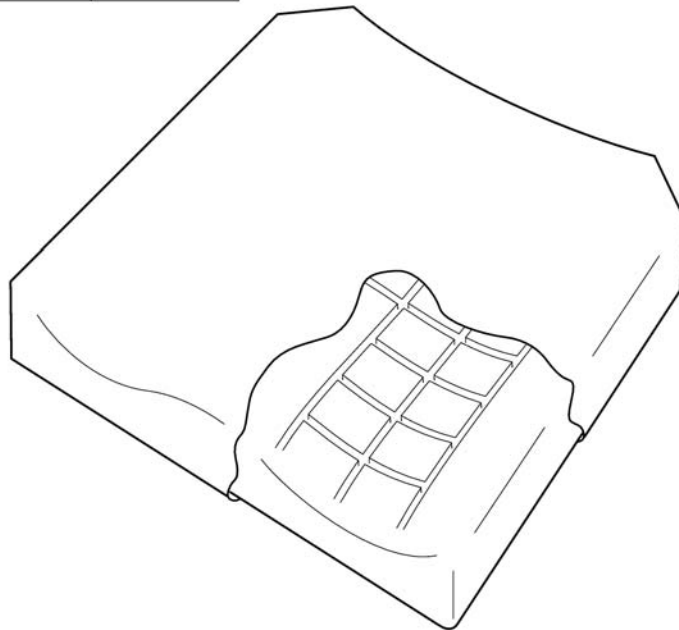
	Färg	Colour	Farbe	Couleur
TR26	dartex svart	dartex black	Dartex schwarz	dartex noir
--2012-04-01				
TR23	dartex grå	dartex grey	Dartex grau	dartex gris

6491151565

1	SP1435856-TR26	(SEAT CUSHION 365X490,MISTRAL 2-LAYER TR26)	1
2	SP1435857-TR26	(SEAT CUSHION 415X490,MISTRAL 2-LAYER TR26)	1
3	SP1435858-TR26	(SEAT CUSHION 465X490,MISTRAL 2-LAYER TR26)	1
4	1435859-TR26	(SEAT CUSHION 515X490, MISTRAL2, DARTEX BLACK)	1
5	1435856	SETEPUTE 365/490 MISTRAL 2LAGS TR23	1
6	1435857	SETEPUTE 415/490 MISTRAL 2LAGS TR23	1
7	1435858	SETEPUTE 465/490 MISTRAL 2LAGS TR23	1

**(Seat cushion, Flo-tech contour Visco (only for France))**

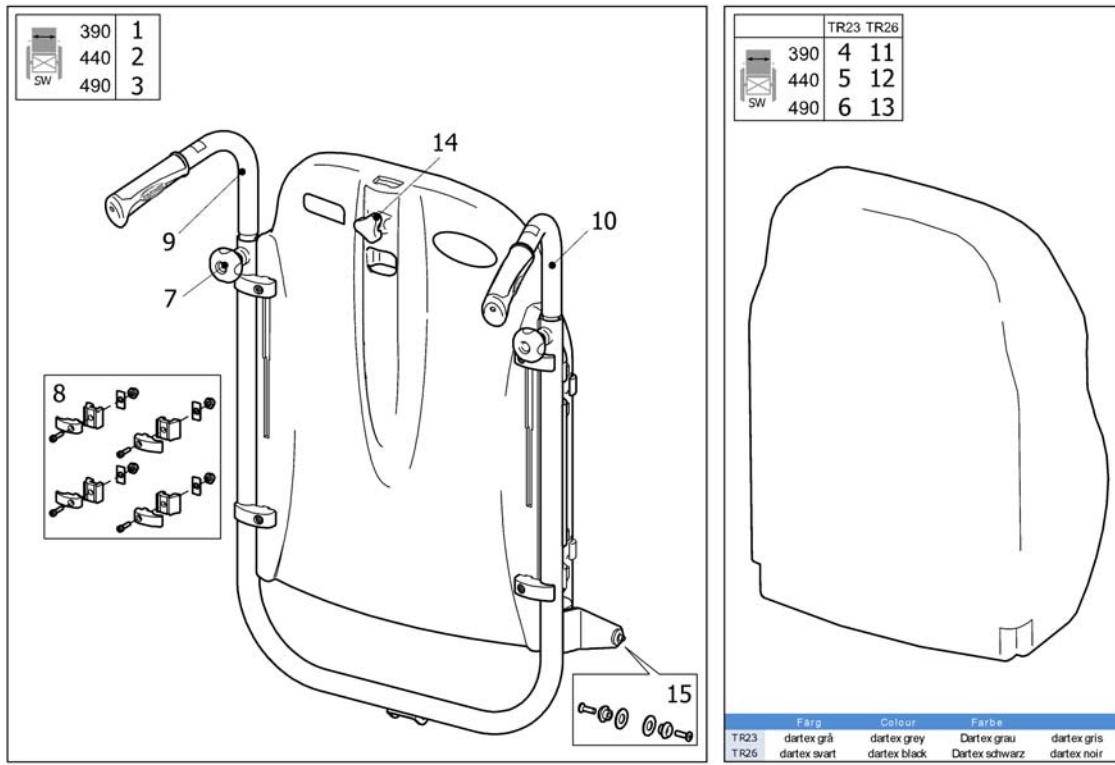
SW (cm)	39			44			49		
	+5	+10		+5	+10		+5	+10	
Azalea	2	2	3	3	3	4	4	4	
Cleamtis	1			2			3		



SPS1501122

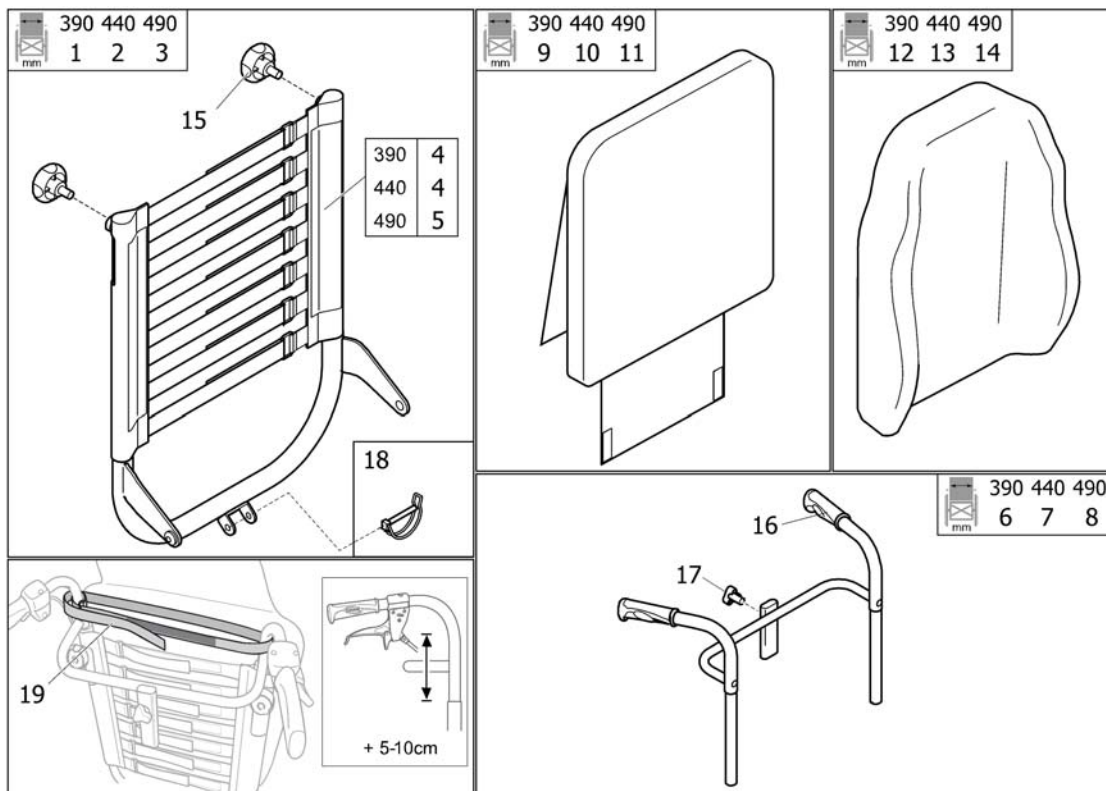
---

1	1501120	(CUSHION FLO-TECH 355X535 CONTOUR MEDIUM VISCO W.C)	1
2	1501121	(CUSHION FLO-TECH 405X535 CONTOUR FIRM VISCO W.COV)	1
3	1501122	(CUSHION FLO-TECH 455X535 CONTOUR FIRM VISCO W.COV)	1
4	1501123	(CUSHION FLO-TECH 505X535 CONTOUR V.FIRM VISCO W.C)	1



1	1518793	(BACKREST 39 CPL, LAGUNA 2 CL. SPARE PART)	1
2	1519436	(BACKREST 44 CPL, LAGUNA 2 CL. SPARE PART)	1
3	1519437	(BACKREST 49 CPL, LAGUNA 2 CL. SPARE PART)	1
4	1439937	RYGGPUTE LAGUNA 342x550 TR23	1
5	1427119	RYGGPUTE LAGUNA S TR23	1
6	1427120	RYGGPUTE LAGUNA M TR23	1
7	SP1518478	(Handwheel M10, pair)	1
8	1518649	(FITTING KIT, LAGUNA2)	1
9	1518504	(PUSH HANDLE, LEFT, CPL, LAGUNA 2 CL)	1
10	1518503	(PUSH HANDLE, RIGHT, CPL, LAGUNA 2 CL)	1
11	SP1439937-TR26	(BACKREST CUSHION, 342X550, LAGUNA, DARTEX BLACK)	1
12	SP1427119-TR26	(Backrest Cushion Laguna, 402x550mm, Dartex black)	1
13	SP1427120-TR26	RYGGPUTE LAGUNA 452X550 SORT	1
14	1497411	(Handwheel)	1
15	SP1579941	(Screw kit, backrest stay)	1

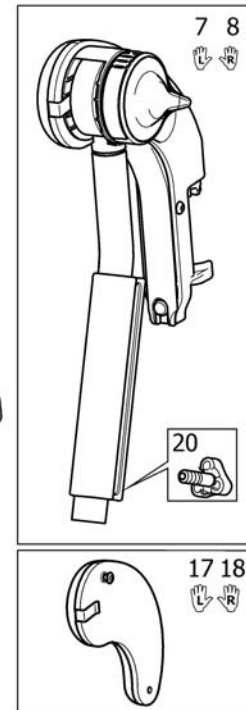
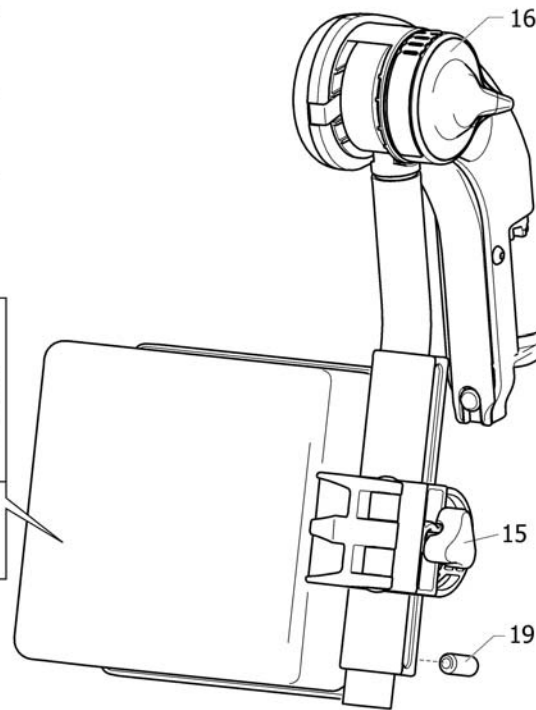
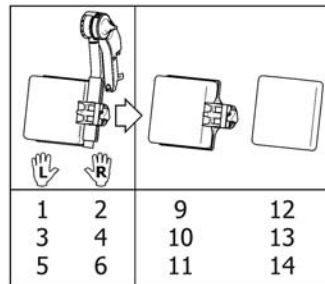
**(Backrest, tension adjustable)**



1	SP1574791	(BACKREST 390, TENSION ADJ., CLEMATIS)	0
2	SP1574792	(BACKREST 440, TENSION ADJ., CLEMATIS)	0
3	SP1574793	(BACKREST 490, TENSION ADJ., CLEMATIS)	1
4	SP1574068	(BACKREST BODY 390-440, TENSION ADJ.)	1
5	SP1574069	(BACKREST BODY 490-540, TENSION ADJ.)	1
6	SP1572531	(PUSH HANDLES 390, FIXED CPL. (FOR NECK- AND HEADREST))	1
7	SP1572574	(PUSH HANDLES 440, FIXED CPL. (FOR NECK- AND HEADREST))	1
8	SP1572575	(PUSH HANDLES 490, FIXED CPL. (FOR NECK- AND HEADREST))	1
9	SP1574717	(COVER LATERAL 425X540, DARTEX BLACK)	1
10	SP1543667	(COVER LATERAL 475X540, DARTEX BLACK)	1
11	SP1543669	(COVER LATERAL 525X540, DARTEX BLACK)	1
12	SP1427119-TR26	(Backrest Cushion Laguna, 402x550mm, Dartex black)	1
13	SP1427120-TR26	RYGGPUTE LAGUNA 452X550 SORT	1
14	SP1427121-TR26	(BACKREST CUSHION 492X550, LAGUNA, DARTEX BLACK)	1
15	SP1518478	(Handwheel M10, pair)	1
16	1537634	HÅNDTAK PAR 22MM	1
17	1444175	RATT M12 STORM4 MAX / REA	1
18	1439936	LÅSSPLINT 8X60 BORA	1
19	SP1574804	(SUPPORT STRAP 390-540, ADJ. BACKREST)	1



	SW(mm)	L	R
Azalea, Clematis, Dahlia	340-390	1	2
	440	3	4
	490	5	6
Bellis, Bellis 150	390-430 (S)	3	4
	440-480 (M)	5	6
	490-530 (L)	5	6

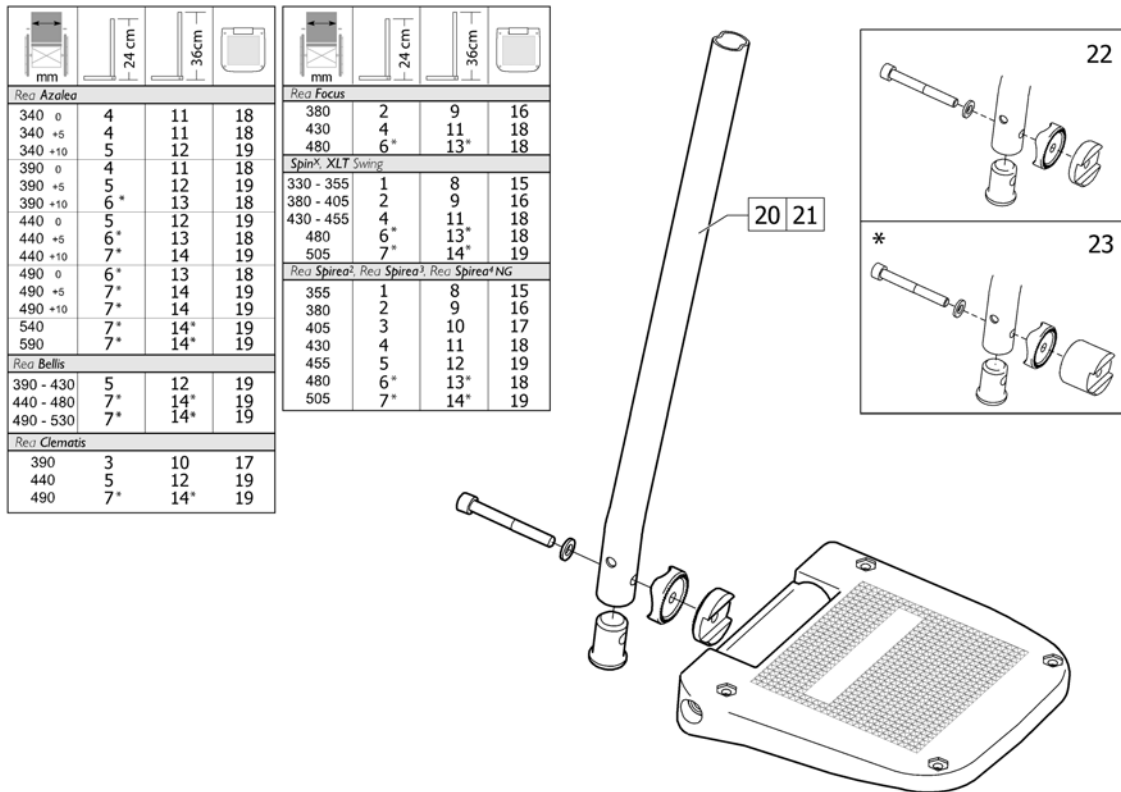


1	1524984	BENST OVERDEL VREG VE M/ LEGGPUTE ASALEA ALU	1
2	1524985	BENST OVERDEL VREG HØ M/ LEGGPUTE ASALEA ALU	1
3	1524986	BENST OVERDEL VREG VE M/ LEGGPUTE SB44 ASALEA ALU	1
4	1524987	BENST OVERDEL VREG HØ M/ LEGGPUTE SB44 ASALEA ALU	1
5	1524988	BENSTØTTE OVERDEL VE MED LEGGSTØTTE SB49 AZALEA	1
6	1524989	BENSTØTTE OVERDEL HØ MED LEGGSTØTTE SB49 AZALEA	1
7	1513007	BENST OVERDEL VREG VE M/ KNEPUTE ALU 10 2008	1
8	1513006	BENST OVERDEL VREG HØ M/ KNEPUTE ALU 10 2008	1
9	1516313	LEGGSTØTTE sb39 14X17X8 TR26 KPL	1
10	1516314	LEGGSTØTTE sb44 ,5X17X8 TR26 KPL	1
11	1516315	LEGGSTØTTE sb49 19X17X8 TR26 KPL	1
12	1445763	LEGGPUTE 16 DARTEX SVART BELLIS AZALEA	1
13	1445764	SIDESTØTTE 19 DARTEX SVA RT BELLIS AZALEA	1
14	1445765	SIDESTØTTE 22 DARTEX SVA RT BELLIS AZALEA	1
15	1429215	RATT TIL LEGGSTØTTE	1
16	1508943	HENDEL PROPP VINKEL. REG TIL BENST. AZALEA	1
17	1513671	KNEPUTE VE KPL M SKRUE VS 2008	01.10.2008 → 1
18	1513716	KNEPUTE HØ KPL M SKRUE ALU2008	01.10.2008 → 1
19	1424571	FJÆRENDE TRYKSKRUE M10x23	1
20	1429326	FINGERSKRUE FOR BENSTØTTE REA	1

**(Footrest, fixed, Alu2003)**

mm	24 cm	36 cm		mm	24 cm	36 cm	
<i>Rea Azalea, Rea Dahlia</i>				<i>Rea Focus</i>			
340 0	2	6	11	380	1	5	10
340 +5	2	6	11	430	2	6	11
340 +10	3	7	12	480	3	7	12
<i>Spin<sup>x</sup>, XLT Swing</i>							
390 0	2	6	11	380 - 405	1	5	10
390 +5	3	7	12	430 - 455	2	6	11
390 +10	4	8	13	480 - 505	3	7	12
<i>Rea Spirea<sup>2</sup>, Rea Spirea<sup>3</sup></i>							
440 0	3	7	12	380	1	5	10
440 +5	4	8	13	405	1	5	10
440 +10	4	8	13	430	2	6	11
490 0	4	8	13	455	2	6	11
490 +5	4	8	13	480	3	7	12
490 +10	4	8	13	505	3	7	12
<i>Rea Bellis</i>							
390 - 430	2	6	11				
440 - 480	3	7	12				
490 - 530	4	8	13				
<i>Rea Clematis</i>							
390	1	5	10				
440	2	6	11				
490	3	7	12				

1	1428357	FOTPLATE 19 FAST KORT VE ALU2003	1
1	1428358	FOTPLATE 19 FAST KORT HØ ALU2003	1
2	1428361	FOTPLATE 21 FAST KORT VE ALU2003	1
2	1428362	FOTPLATE 21 FAST KORT HØ ALU2003	1
3	1428365	FOTPLATE 24 FAST KORT VE ALU2003	1
3	1428366	FOTPLATE 24 FAST KORT HØ ALU2003	1
4	1435756	FOTPLATE 27 ALU2003 FAST KORT VE	1
4	1435757	FOTPLATE 27 ALU2003 FAST KORT HØ	1
5	1428359	FOTPLATE 19 FAST LANG VE ALU2003	1
5	1428360	FOTPLATE 19 FAST LANG HØ ALU2003	1
6	1428363	FOTPLATE 21 FAST LANG VE ALU2003	1
6	1428364	FOTPLATE 21 FAST LANG HØ ALU2003	1
7	1428367	FOTPLATE 24 FAST LANG VE ALU2003	1
7	1428368	FOTPLATE 24 FAST LANG HØ ALU2003	1
8	1435659	FOTPLATE 27 ALU2003 FAST LANG VE	1
8	1435660	FOTPLATE 27 ALU2003 FAST LANG HØ	1
9	1434561-0010	INNERRØR BENSTØTTE KORTE AZALEA/BELLIS	1
9	1434563-0010	INNERRØR BENSTØTTE LANGE AZALEA/BELLIS	1
10	1428340	FOTPLATE 187 MM VE	1
10	1428341	FOTPLATE 187 MM HØ	1
11	1424574	FOTPLATE FAST SB 43 VE 80GR ACTION3	1
11	1424575	FOTPLATE FAST SB 43 HØ 80GR ACTION3	1
12	1428346	FOTPLATE 237 MM VE	1
12	1428347	FOTPLATE 237 MM HØYRE	1
13	1428374	(Fixed footplate NG Lh 250 mm (SW550/605 Action NG)(SW490 Esprit Clematis))	1
13	1428375	(Fixed footplate NG Rh 250 mm (SW550/605 Action NG)(SW490 Esprit Clematis))	1
14	1430433	SKRUESETT FOR FOTPLATE	1

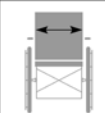
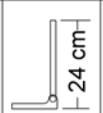



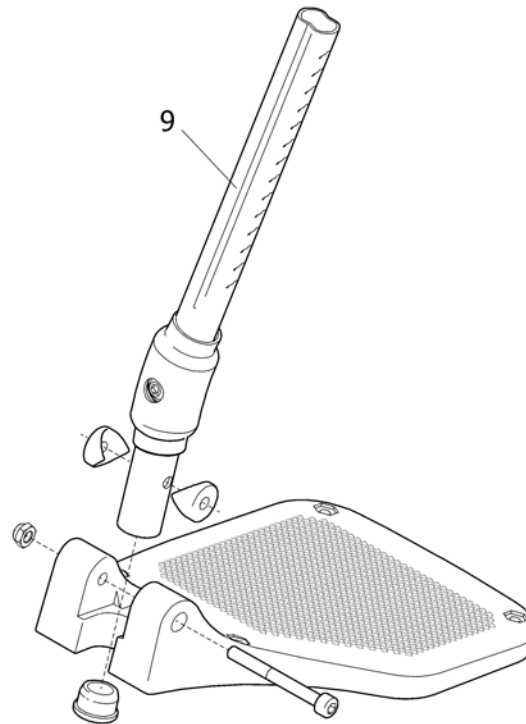
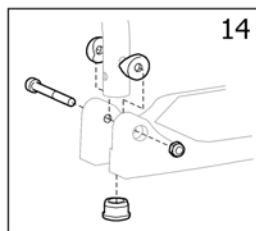
1	1485430	FOTPLATE 12 VREG OG DREG KORT, VENSTRE	1
1	1485524	FOTPLATE 12 VREG OG DREG KORT, HØYRE	1
2	1429159	FOTPLATE 14 VREG KORT VE ALU2003	1
2	1429160	FOTPLATE 14 VREG KORT HØ ALU2003	1
3	1429161	FOTPLATE 16 ALU 2003 VREG KORT VE	1
3	1429162	FOTPLATE 16 ALU 2003 VREG KORT HØ	1
4	1429163	FOTPLATE 17 VREG KORT VE ALU2003	1
4	1429164	FOTPLATE 17 VREG KORT HØ ALU2003	1
5	1429165	FOTPLATE 18 VREG KORT VE ALU2004	1
5	1429166	FOTPLATE 18 VREG KORT HØ ALU2003	1
6	1429167	FOTPLATE 19 VREG KORT VE ALU2003	1
6	1429168	FOTPLATE 19 VREG KORT HØ ALU2003	1
7	1429169	FOTPLATE 20 VREG KORT VE ALU2003	1
7	1429170	FOTPLATE 20 VREG KORT HØ ALU2003	1
8	1485428	(Footrest 12 Long, Le, "Alu2003")	1
8	1485429	(Footrest 12 Long, Ri, "Alu2003")	1
9	1429171	FOTPLATE 14 VREG LANG VE ALU2003	1
9	1429172	FOTPLATE 14 VREG LANG HØ ALU2003	1
10	1429173	FOTPLATE 16 ALU 2003 VREG LANG VE	1
10	1429174	FOTPLATE 16 ALU 2003 VREG LANG HØ	1
11	1429175	FOTPLATE 17 VREG LANG VE ALU2003	1
11	1429176	FOTPLATE 17 VREG LANG HØ ALU2003	1
12	1429177	FOTPLATE 18 VREG LANG VE ALU2003	1
12	1429178	FOTPLATE 18 VREG LANG VE ALU2003	1
13	1429179	FOTPLATE 19 VREG LANG VE ALU2003	1
13	1429180	FOTPLATE 186 VREG LANG HØ ALU2003	1
14	1429181	FOTPLATE 20 VREG LANG VE ALU2003	1
14	1429182	FOTPLATE 20 VREG LANG HØ ALU 2003	1
15	5106372	FOTPLATER ADAPT SB38	1
16	5106374	FOTBRETT KPL BR: 43 ADAPT 9 GR	1
17	5106375	FOTBRETT KPL BR: 46 ADAPT 9 GR	1

**(Footrest, AA, Alu2003)**

---

18	5106594	FOTPLATE 48 BELLIS AZAL/FOC 166	1
19	5106376	FOTPLATE 50 CM ADAPT	1
20	1434561-0010	INNERRØR BENSTØTTE KORTE AZALEA/BELLIS	1
21	1434563-0010	INNERRØR BENSTØTTE LANGE AZALEA/BELLIS	1
22	1430839	SKRUESETT FOR FOTPLATE ACTION 3	1
23	1430840	SKRUESETT FOR FOTPLATE SB48-60,5	1

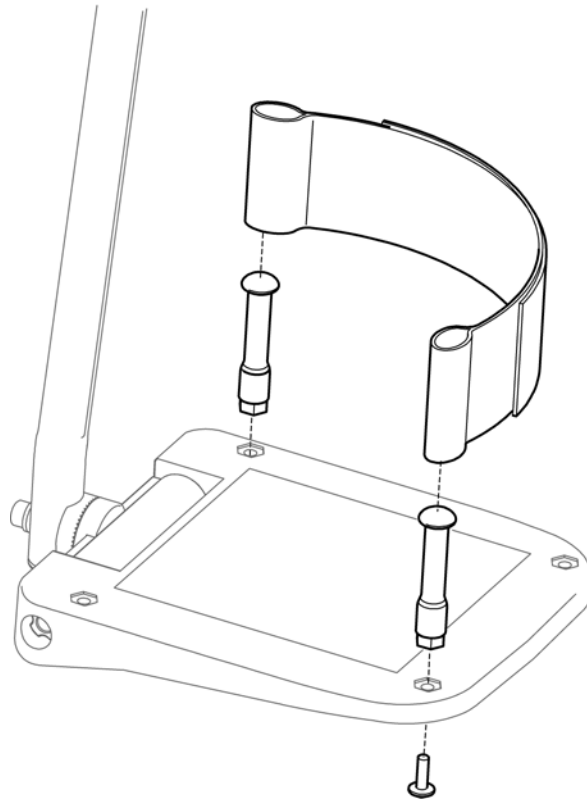
			
<i>Rea Azalea</i>			
340 - 390	2	6	11
440	3	7	12
490	4	8	13
540	4	8	13
590	4	8	13
<i>Spin<sup>x</sup></i>			
380 - 405	1	5	10
430 - 455	2	6	11
480 - 505	3	7	12



SPN1402322

1	1492320	(FOOTREST 19 AA "POIRIER", SHORT, LEFT)	1
1	1492321	(FOOTREST 19 AA "POIRIER", SHORT, RIGHT)	1
2	1492322	(FOOTREST 21 AA "POIRIER", SHORT, LEFT)	1
2	1484442	(FOOTREST 21 AA "POIRIER", SHORT, RIGHT)	1
3	1484443	(FOOTREST 24 AA "POIRIER", SHORT, LEFT)	1
3	1484444	(FOOTREST 24 AA "POIRIER", SHORT, RIGHT)	1
4	1484445	(FOOTREST 26 AA "POIRIER", SHORT, LEFT)	1
4	1484446	(FOOTREST 26 AA "POIRIER", SHORT, RIGHT)	1
5	1428340	FOTPLATE 187 MM VE	1
6	1424574	FOTPLATE FAST SB 43 VE 80GR ACTION3	1
7	1428346	FOTPLATE 237 MM VE	1
8	1428374	(Fixed footplate NG Lh 250 mm (SW550/605 Action NG)(SW490 Esprit Clematis))	1
9	1485167	(Short Footrest Tube)	1
10	1428341	FOTPLATE 187 MM HØ	1
11	1424575	FOTPLATE FAST SB 43 HØ 80GR ACTION3	1
12	1428347	FOTPLATE 237 MM HØYRE	1
13	1428375	(Fixed footplate NG Rh 250 mm (SW550/605 Action NG)(SW490 Esprit Clematis))	1
14	1430433	SKRUESETT FOR FOTPLATE	1

# (Heel strap)

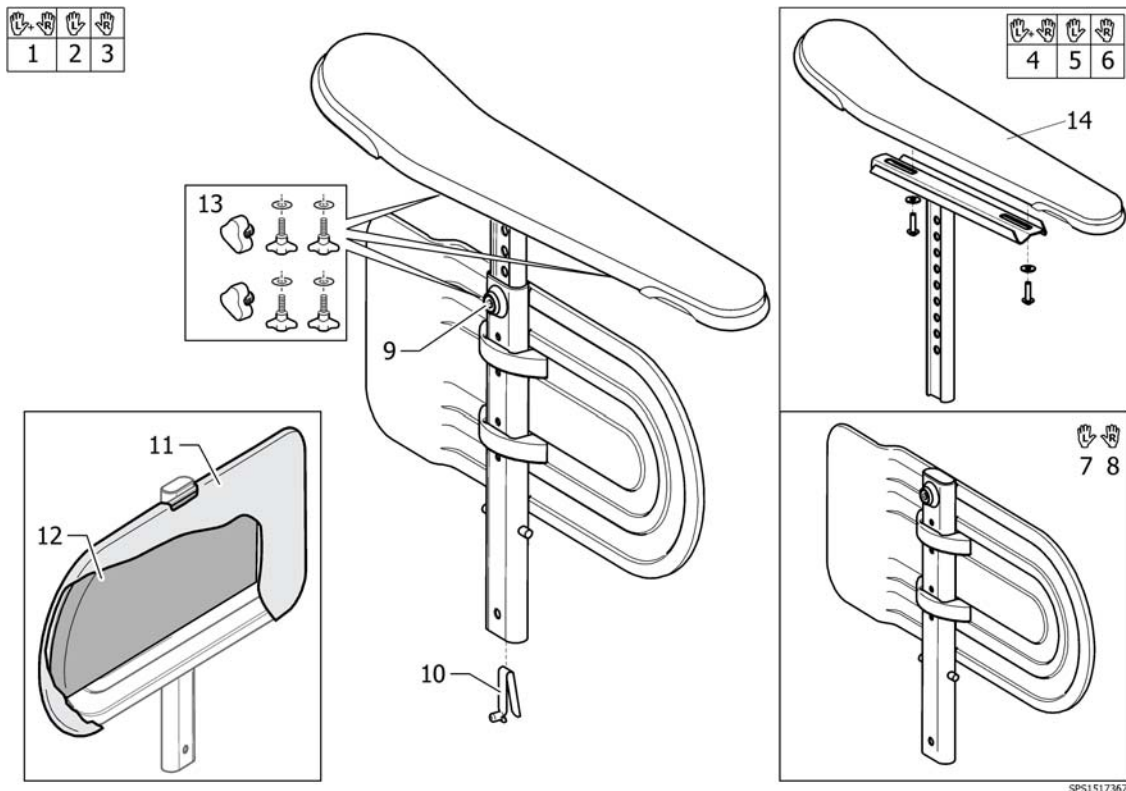


SPS5106433

5321579

HÆLKAPPE 40-50 PAR

1

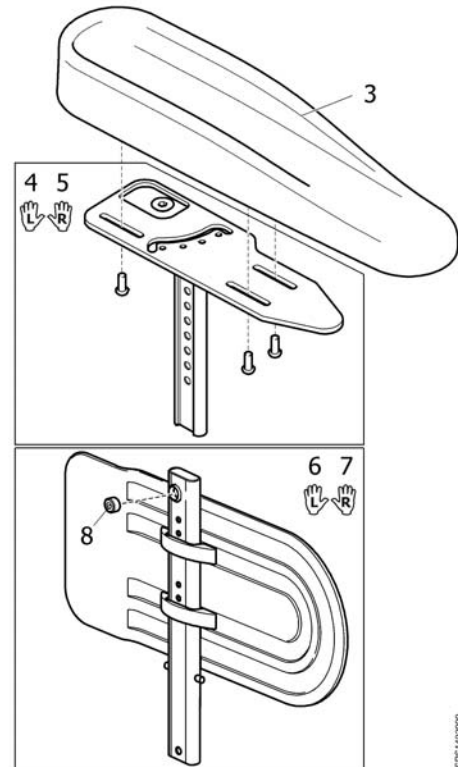
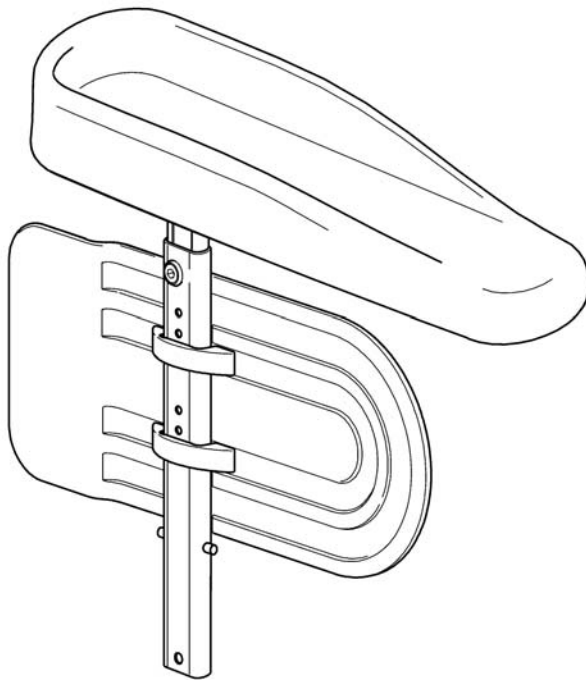


SPS1517367

1	1530007	ARMLEN HØYDEJUSTERBAR KPL PAR	1
2	1517368	ARMLEN KPL VENSTRE REA AZALEA	1
3	1517367	ARMLEN KPL HØYRE REA AZALEA	1
4	1518704	ARMLENOVERDEL PAR AZALEA	1
5	1518702	ARMLENOVERDEL REA AZALEA V.SIDE	1
6	1518701	ARMLENOVERDEL REA AZALEA H.SIDE	1
7	1415521	SIDESTØTTE(KLESBESK.)VE >010507 KPL	1
8	1415520	SIDESTØTTE (KLESBESK.)HØ >010507 KPL	1
9	5106533	\$SKRUE SENK M6X12 10 9	1
10	1560734	SNAP BUTTON FOR ARMLEN AZALEA	1
11	1415453	TREKK KLESBESKYTTER	1
12	SP1563199	ILEGGSPUTE PAR TIL KLESBESKYTTER REA	1
13	SP1567515	HÅNDHJUL ARMLEN FOR REGULLERING UTEN VERKTØY	1
14	SP1451561	ARMLENSPOLSTER STK AZALEA 90X450	1

# (Armrest, hemiplegic)

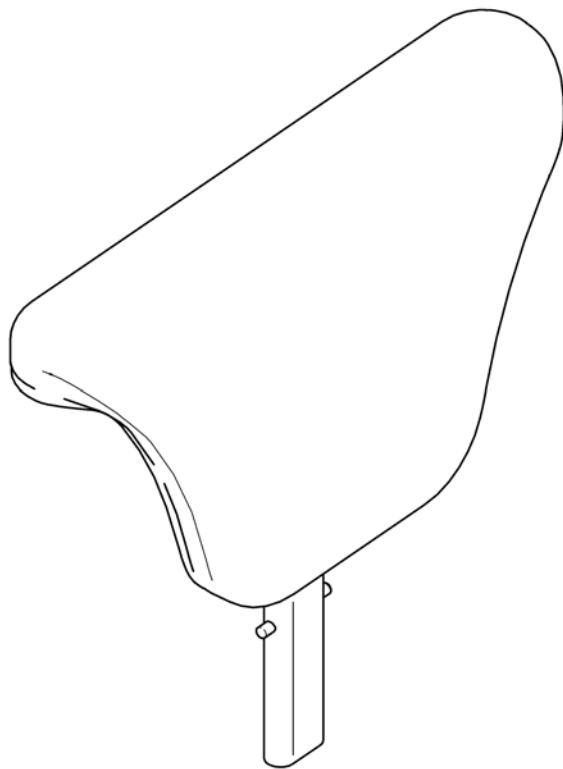
1 2  
L R



SPS 1492900

1	1492901	ARMLÉN HEMI VE KPL AZALEA SPIREA4NG	1
2	1492900	ARMLÉN HEMI HØ KPL AZALEA SPIREA4NG	1
3	1493251	ARMSTØTTE OVERDEL HEMI REA AZALEA	1
4	1494006	(ARMREST HEMI LH)	1
5	1494005	(ARMREST HEMI RH)	1
6	1415520	SIDESTØTTE (KLESBESK.)HØ >010507 KPL	1
7	1415521	SIDESTØTTE(KLESBESK.)VE >010507 KPL	1
8	5106533	SKRUE SENK M6X12 10 9	1





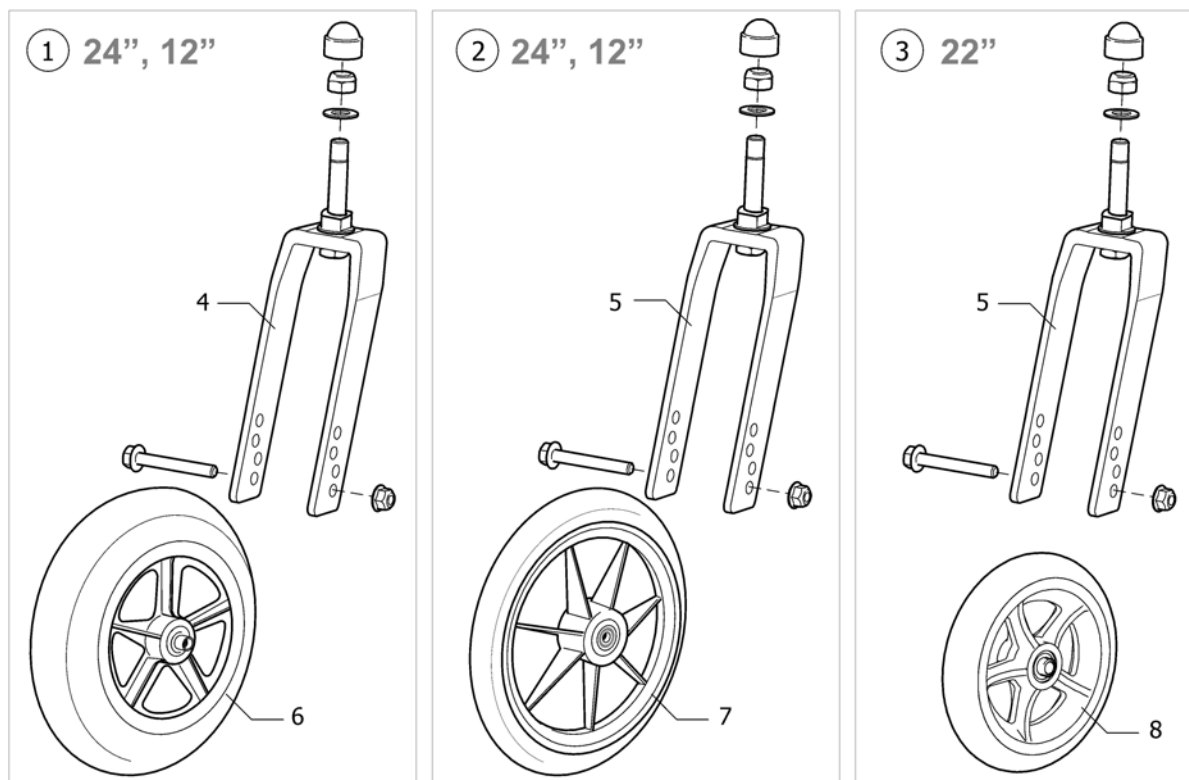
SPS1492547

1492547

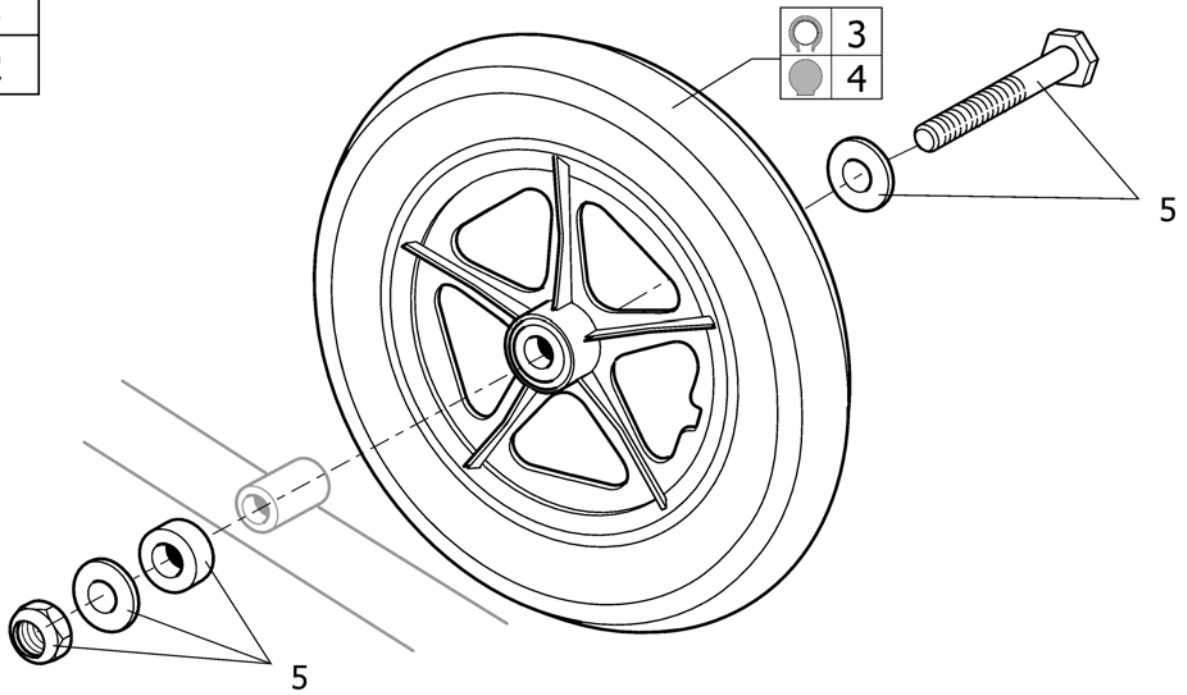
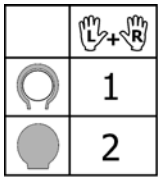
ARMLÉN-KLESBESKYTTER POLSTRET AZALEA

1

**(Castor wheels)**



1	1491356	SVINGHJUL 8(200)x45	1
2	5320717	SVINGHJUL 8 INCHx27 MELLOMHARD 110 SMAL F	1
3	1555791	SVINGHJUL 6(150)x30 SMAL GAFFEL 110	1
4	5322139	GAFFEL 110 FAST BRED KPL BELLIS/AZAL/FOC/SPI3	1
5	5320666	GAFFEL MEDIUM FAST AKSEL SPIREA azalea	1
6	1418196	SVINGHJUL MEDIUM HARD 200*45(8")BORA BELLIS	1
7	5322004	SVINGHJUL 8(200)X 27 MH REA.ASSISI,AZALEA	1
8	1555797	SVINGHJUL 6(150X30) MEDIUM HARD REA	1

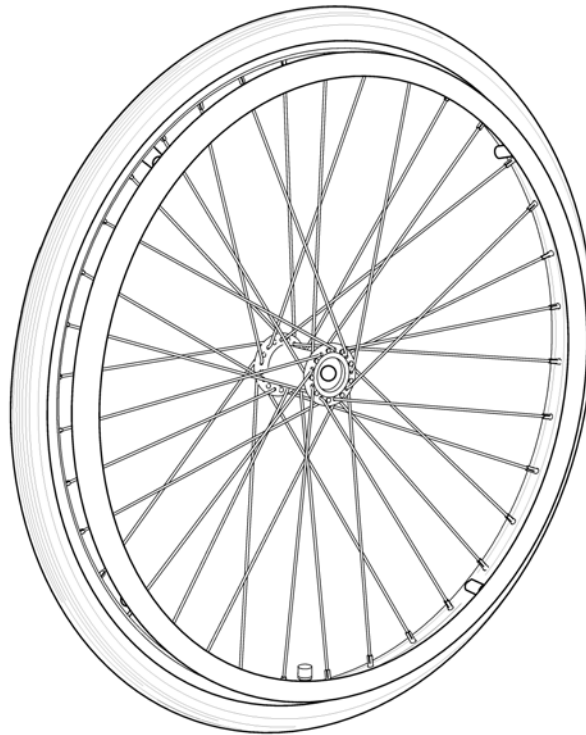


SPS1518724

1	1518724	(12" WHEEL KIT, PAIR)	1
2	1537141	(KIT, 12" WHEEL, SOLID, PAIR)	1
3	1584368	()	1
4	6001790	(12" Rear wheel, composite, standard hub, solid tyre, without axle Ø12)	1
5	1505215	(12" AXLE KIT CLEMATIS)	1

# (Wheels 24" Basic)

24"

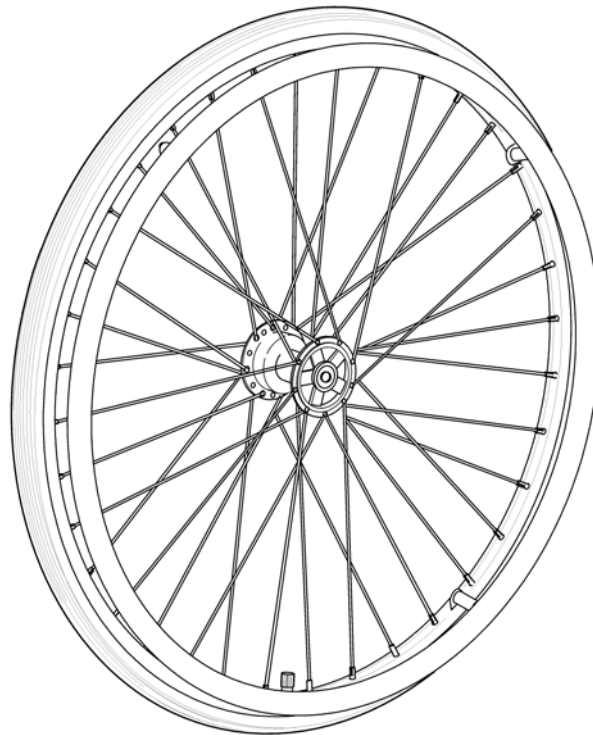


---

1	1498423	(24" x 1.3/8" wheel,spoked,anodized handrim,pneumatic)	1
2	1498263	DRIVHJUL 24 MASSIV MED ALU DRIVRING	1

# (Wheels 24" Basic DB)

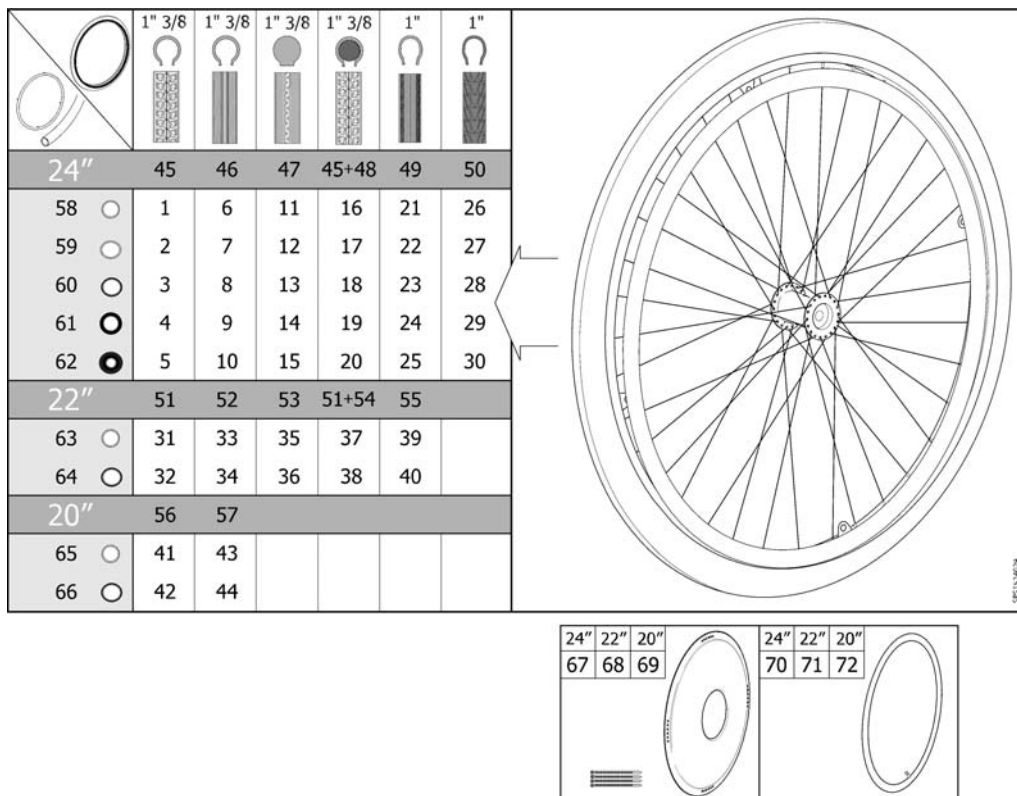
24" DB



---

1	1492644	DRIVHJUL 24 BASIC TROMME LBREMS LUFTFYLT MØNSTRET	1
2	1492645	DRIVHJUL 24 LED B MASSIV 21 AL BASIC	1

# (Wheel 24-22-20")



1	1524030	DRIVHJUL 24 LUFTFYLT MØN STRET DRIVRING ALU	1
2	1524186	DRIVHJUL 24 LUFTFYLT MØN DRIVRING PLASTBELA	1
3	1530764	DRIVHJUL 24 LUFTFYLT MØN STRET DRIVRING RUSTFRI	1
4	1531508	DRIVHJUL 24 LUFTFYLT MØN STRET DRIVRING SKUMBELAG	1
5	1531563	DRIVHJUL 24 LUFTFYLT MØN STRET DRIVRING BLACKGRIP	1
6	1524029	DRIVHJUL 24 LUFTFYLT NON MARKING DRIVRING ALU	1
7	1524163	DRIVHJUL 24 LUFTFYLT NON MARKING DRIVRING PLASTB	1
8	1530763	DRIVHJUL 24 LUFTFYLT NON MARKING DRIVRING RUSTFR	1
9	1531462	DRIVHJUL 24 LUFTFYLT NON MARK DRIVRING SKUM	1
10	1531538	DRIVHJUL 24 LUFTFYLT NON MARKING DRIVRING BLACKG	1
11	1524050	DRIVHJUL 24 MASSIV DRIVR ING ALU	1
12	1524188	DRIVHJUL 24 MASSIV DRIVR ING PLASTBELAGT	1
13	1530762	DRIVHJUL 24" STÅL DRIVRING	1
14	1531531	DRIVHJUL 24 MASSIV DRIVR ING SKUMBELAGT	1
15	1531564	DRIVHJUL 24 MASSIV DRIVR ING BLACKGRIP	1
16	1524150	DRIVHJUL 24 PUNKTERINGSF RI DRIVRING ALU	1
17	1524189	DRIVHJUL 24 PUNKTERINGSF RI DRIVRING PLASTBELAGT	1
18	1531129	DRIVHJUL 24 PUNKTERINGSF RI DRIVRING RUSTFRI	1
19	1531532	DRIVHJUL 24 PUNKTERINGSF RI DRIVRING SKUMBELAGT	1
20	1531565	DRIVHJUL 24 PUNKTERINGSF RI DRIVRING BLACKGRIP	1
21	1524049	DRIVHJUL 24 LAVPROFIL DR IVRING ALU	1
22	1524187	DRIVHJUL 24 LAVPROFIL DR IVRING PLASTBELAGT	1
23	1531063	DRIVHJUL 24 LAVPROFIL DR IVRING RUSTFRI	1
24	1531533	DRIVHJUL 24 LAVPROFIL DR IVRING SKUMBELAGT	1
25	1531566	DRIVHJUL 24 LAVPROFIL DR IVRING BLACKGRIP	1
26	1532143	DRIVHJUL 24 SORT MARATHO N DRIVRING ALU.	1
27	1532183	DRIVHJUL 24 SORT MARATHO N DRIVRING PLASTBELAGT	1
28	1532144	DRIVHJUL 24 SORT MARATHO N DRIVRING RUSTFRI	1
29	1532184	DRIVHJUL 24 SORT MARATHO N DRIVRING FOAM	1
30	1532185	DRIVHJUL 24 SORT MARATHO N DRIVRING BLACKGRIP	1
31	1523949	DRIVHJUL 22 LUFTFYLT MØN STRET DRIVRING ALU	1

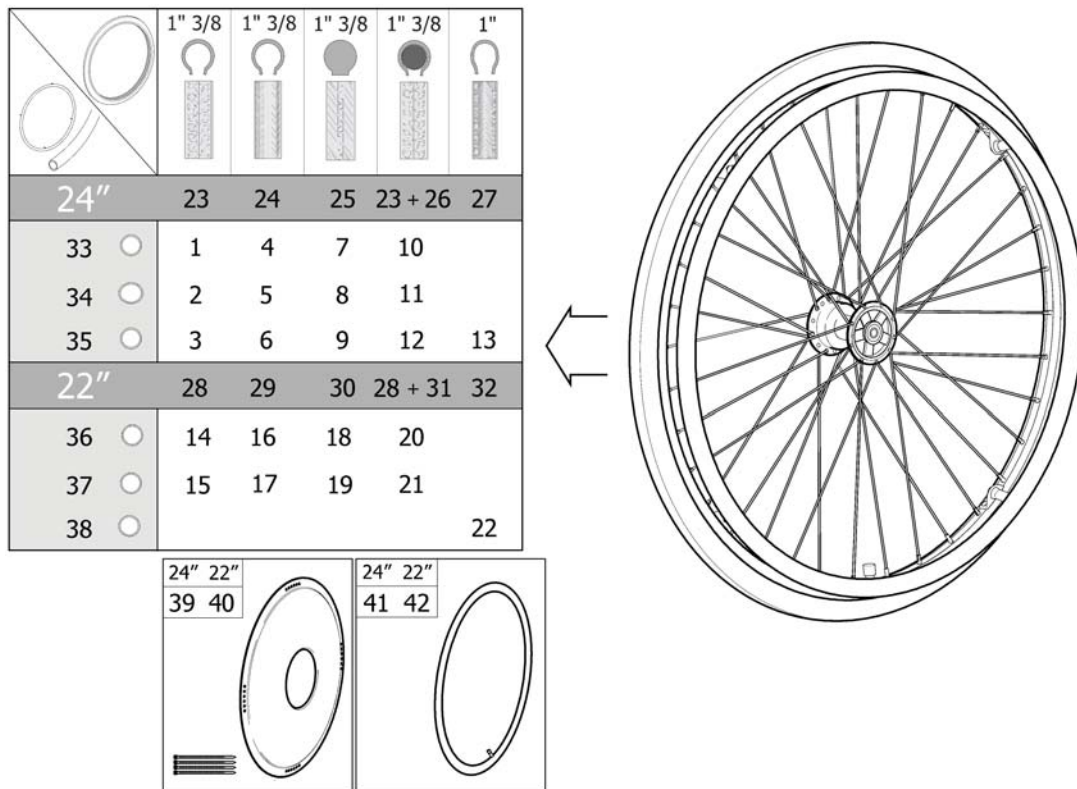
32	1524024	DRIVHJUL 22 LUFTFYLT MØN STRET DRIVRING PLASTBELA	1
33	1523948	DRIVHJUL 22 LUFTFYLT NON MARKING DRIVRING ALU	1
34	1524023	DRIVHJUL 22 LUFTFYLT NON MARKING DRIVRING PLASTB	1
35	1524021	DRIVHJUL 22 MASSIV 19 ALU STD2010	1
36	1524027	DRIVHJUL 22 MASSIV DRIVRING PLASTBELAGT	1
37	1524022	DRIVHJUL 22 PUNKTFRI DRIVRING ALU	1
38	1524028	DRIVHJUL 22 PUNKTFRI DRIVRING PLASTBELAGT	1
39	1524020	DRIVHJUL 22 LAVPROFIL DRIVRING ALU	1
40	1524026	DRIVHJUL 22 LAVPROFIL DRIVRING PLASTBELAGT	1
41	1523944	DRIVHJUL 20 LUFTFYLT MØN STRET DRIVRING ALU	1
42	1523945	DRIVHJUL 20 LUFTFYLT MØN STRET DRIVRING PLASTBELA	1
43	1523885	DRIVHJUL 20 LUFTFYLT NON MARKING DRIVRING ALU	1
44	1523902	DRIVHJUL 20 LUFTFYLT NON MARKING DRIVRING PLASTB	1
45	5750019	DEKK 24x1 3/8 GROVMØNSTRET	1
46	5750014	DEKK 24 FISKEBEN STK SPINNERREASPIREA *BEST	1
47	5750015	DEKK 24 X 1 3/8 MASSIVE REA	1
48	5207046	SLANGE 24 X 1 3/8 FLEX BE BLLIS/AZAL/FOC/WHEELER	1
49	5750160	DEKK 24 X 1 FISKEBEN 25-540 REA	1
50	1512742	(Tyre 24"x1" (25-540), Black Marathon)	1
51	1531455	(Tyre 22"x1 3/8" (37-501) Profiled)	1
52	1531456	(Pneumatic tyre, 22" x 1", HP, non marking)	1
53	5750172	DEKK 22 MASSIVE REA	1
54	5750732	SLANGE 22 FLEX	1
55	1531454	(Tyre 22"x1" (25-501) Low Profile)	1
56	5750017	(Tyre 20"x1 3/8", Profiled)	1
57	5750012	DEKK 20 FISKEBENS MØNSTER ZOOM	1
58	1531577	DRIVRING ALU KPL 24 HJUL	1
59	1531578	DRIVRING PLASTBELAGT KPL 24 HJUL	1
60	1531305	DRIVRING RUSTFRI 24 HJUL KPL	1
61	1531459	DRIVRING SKUMBELAGT	1
62	1531460	DRIVRING 21 BLACK GRIP M 4 FESTER GUMMIERT	1
63	1531579	DRIVRING ALU KPL 22 HJUL	1
64	1531580	DRIVRING 22 PLASTBELAGT KPL REA	1
65	1530271	DRIVRING ALU 20 HJUL KPL	1
66	1530272	DRIVRING PLASTBELAGT 20 HJUL KPL	1
67	5102807	EIKEBESKYTTER 24 FROST	1
68	5102800	EIKEBESKYTTER 22 FROST	1
69	5102795	EIKEBESKYTTER 20 FROST	1
70	5750036	SLANGE 24 X 1 3/8 ALLE STOLER	1
70	5750161	SLANGE 24 X 1 BILV	1
71	5750035	SLANGE 22	1
72	5750034	SLANGE 20 DRIVHJUL	1

## DRIVRING RUSTFRI 24 HJUL KPL

---

3854	1528924	()	4
3854	1529757	(Handrim Stainless, 24" Wheel, Std2010)	1
3854	1531457	(Spacer 22mm, Handrim)	4
3854	1531458	(Spacer 5mm, Handrim)	4





981534416

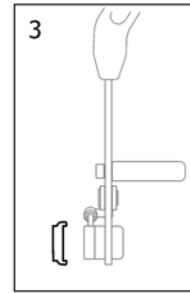
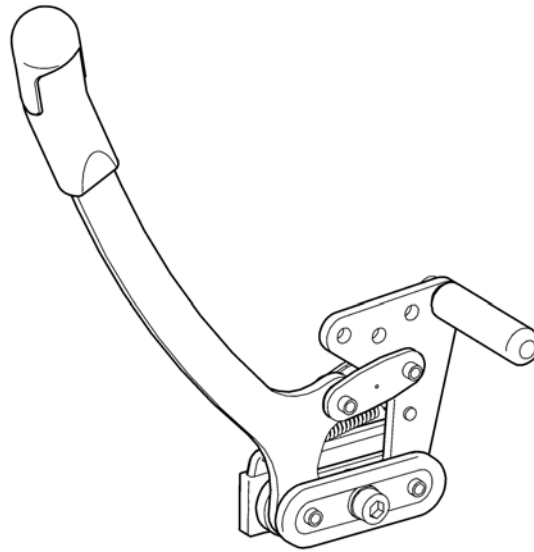
1	1524437	DRIVHJUL 24 TROMMELBREMS LUFT MØNSTRET DRIVR ALU	1
2	1524514	DRIVHJUL 24 TROMMELBREMS LUFT MØNSTR DRIVR PLASTB	1
3	1531080	(Wheel 24" Db Pneu. Profiled + Handrim, Stainless, Std2010)	1
4	1524436	DRIVHJUL 24 TROMMELBREMS LUFT NON MARK DRIV ALU	1
5	1524513	DRIVHJUL 24 TROMMELBREMS LUFT NON MARK DRIV ALU	1
6	1531064	(Wheel 24" Db Pneu. Non-Marking + Handrim, Stainless, Std2010)	1
7	1524447	DRIVHJUL 24 TROMMELBREMS MASSIV DRIVRING ALU	1
8	1524515	DRIVHJUL 24 TROMMELBREMS MASSIV DRIVRING PLASTBE	1
9	1531127	(Wheel 24" Db Solid + Handrim, Stainless, Std2010)	1
10	1524512	DRIVHJUL 24 TROMMELBREMS PUNKTFRI DRIVRING ALU	1
11	1524516	DRIVHJUL 24 TROMMELBREMS PUNKTERINGSFRI DRIVRING	1
12	1531128	(Wheel 24" Db Punctureproof + Handrim, Stainless, Std2010)	1
13	1536613	(Wheel 24x1" Db Low Profile + Handrim, Stainless, Std2010)	1
14	1524290	DRIVHJUL 22 TROMMELBREMS LUFT MØNSTRET DRIVR ALU	1
15	1524361	DRIVHJUL 22 TROMMELBREMS LUFT MØNST DRIVR ALU	1
16	1524289	DRIVHJUL 22 TROMMELBREMS LUFT NON MARK DRIV ALU	1
17	1524337	DRIVHJUL 22 TROMMELBREMS LUFT NON MARK DRIV PLAST	1
18	1524291	DRIVHJUL 22 TROMMELBREMS MASSIV DRIVRING ALU	1
19	1524388	DRIVHJUL 22 TROMMELBREMS MASSIVE DEKK DRIVR PLAST	1
20	1524292	DRIVHJUL 22 TROMMELBREMS PUNKTFRI DRIVRING ALU	1
21	1524435	DRIVHJUL 22 TROMMELBREMS PUNKTFRI DRIVRING PLAST	1
22	1536612	(Wheel 22x1" Db Low Profile + Handrim, Stainless, Std2010)	1
23	5750019	DEKK 24x1 3/8 GROVMØNSTRET	1
24	5750014	DEKK 24 FISKEBEN STK SPINNERREASPIREA *BEST	1
25	5750015	DEKK 24X 1 3/8 MASSIVE REA	1
26	5207046	SLANGE 24 X1 3/8 FLEX BE BLLIS/AZAL/FOC/WHEELER	1
27	5750160	DEKK 24 X 1 FISKEBEN 25-540 REA	1
28	1531455	(Tyre 22"x1 3/8" (37-501) Profiled)	1
29	1531456	(Pneumatic tyre, 22" x 1", HP, non marking)	1
30	5750172	DEKK 22 MASSIVE REA	1
31	5750732	SLANGE 22 FLEX	1

**(Wheel 24-22" DB)**

---

32	1531454	(Tyre 22"x1" (25-501) Low Profile)	1
33	1531577	DRIVRING ALU KPL 24 HJUL	1
34	1531578	DRIVRING PLASTBELAGT KPL 24 HJUL	1
35	1531305	DRIVRING RUSTFRI 24 HJUL KPL	1
36	1531579	DRIVRING ALU KPL 22 HJUL	1
37	1531580	DRIVRING 22 PLASTBELAGT KPL REA	1
38	1536546	(Handrim, Stainless Cpl, 22" Wheel, Std2010)	1
39	5102807	EIKEBESKYTTER 24 FROST	1
40	5102800	EIKEBESKYTTER 22 FROST	1
41	5750036	SLANGE 24 X 1 3/8 ALLE STOLER	1
42	5750035	SLANGE 22	1

   
1 2

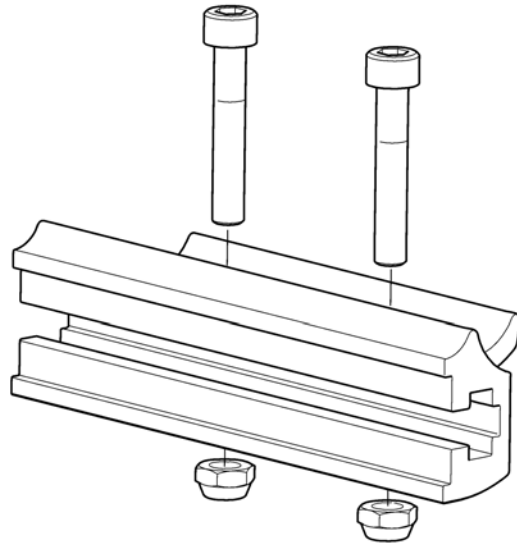


5F5149923

---

1	1508124	(BRAKE, LEFT, CLEMATIS)	1
2	1508123	(BRAKE, RIGHT, CLEMATIS)	1
3	5106475	BREDEDEØKN SATS BREMS REA.	1

# (Brake attachment)



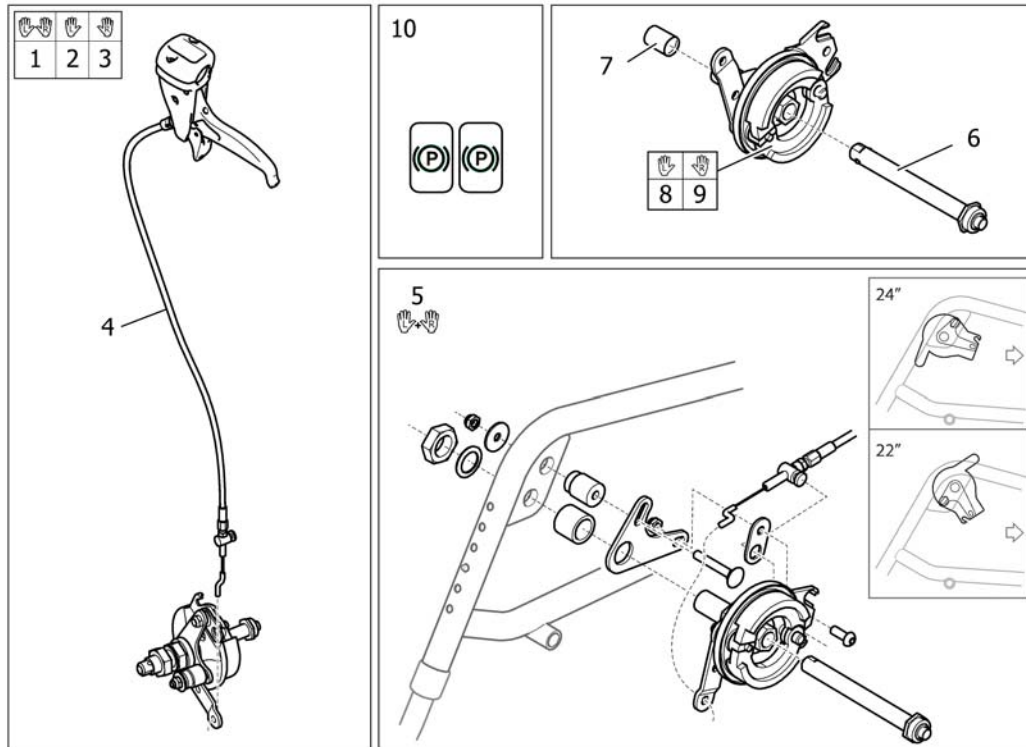
SFS 149201

1491317

BREMSEFESTE KPL.AZALEA

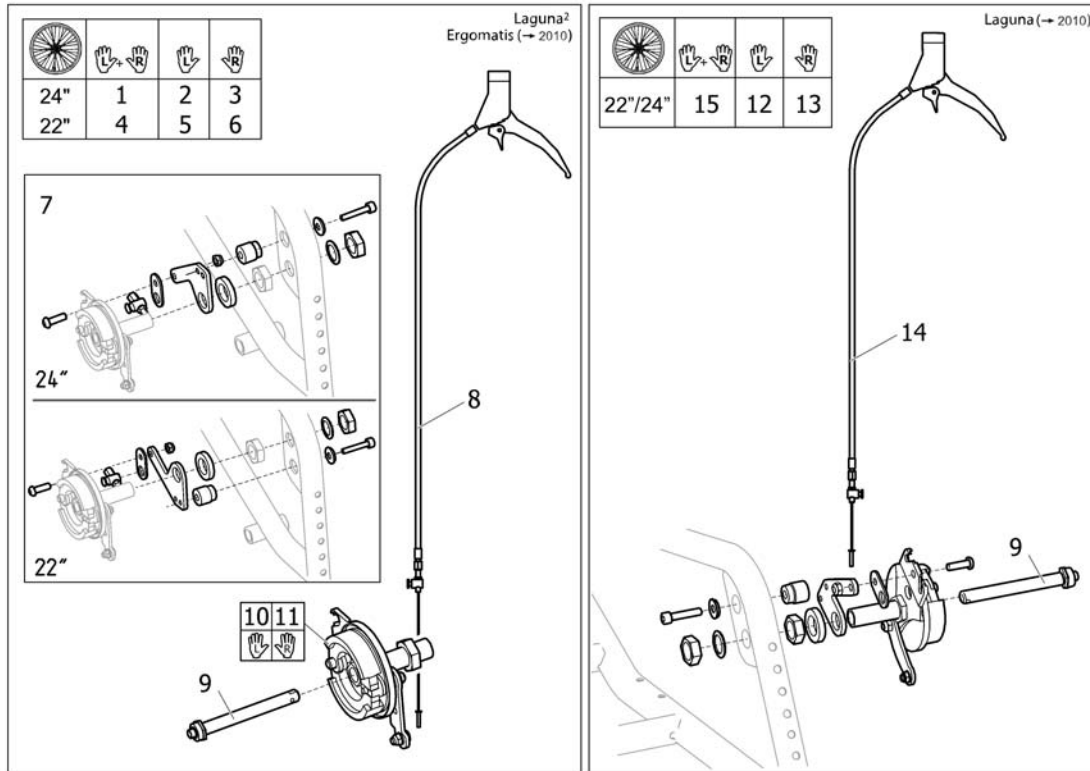
1

## (Drumbrake, assistant manoevered)



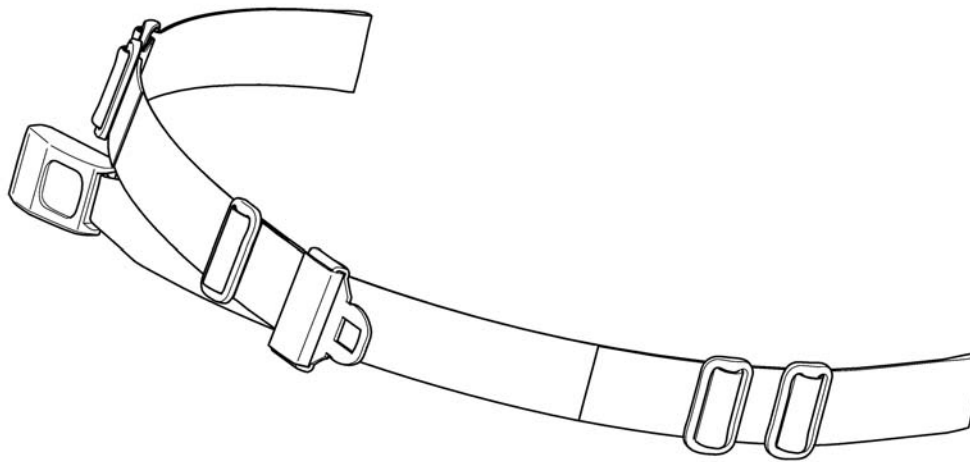
1	1536543	LEDSAGERBREMS PAR KPL UTEN HJUL CLEMATIS	1
2	1536545	(BRAKE KIT DB LEFT, CPL)	1
3	1536544	(BRAKE KIT DB RIGHT, CPL)	1
4	SP1527425	BREMESWIRE KPL L=1235 UTEN TROMMELBR AZALEA	1
5	1492232	\$DRIVHJULSFESTE LED BR PAR AZALEA	1
6	5750192	DRIVHJULSAKSEL QR STK FOR LEDSAGERBREMS REA	1
7	5100925	SKYDDSHATT, QR-AXEL REA COMFORT	1
8	1536252	(DRUMBRAKE UNIT, RIGHT, MBL)	1
9	1536253	(DRUMBRAKE UNIT, LEFT, MBL)	1
10	1536764	ETIKETTER, KABLER, BROMS	1

**(Drumbrake, assistant manoeuvred (=>04.2011))**



1	1497210	LEDSAGERBREMS 24 PAR	1
2	1497214	LEDSAGERBREMS 24 KPL	1
3	1497213	LEDSAGERBREMS 24 KPL	1
4	1497211	LEDSAGERBREMS 22 PAR	1
5	1497216	LEDSAGERBREMS 22 KPL VE	1
6	1497215	LEDSAGERBREMS 22 KPL HØ	1
7	1497212	(ATTACHMENT CPL., DRUMBRAKE)	1
8	1497317	(KIT, WIRE BRAKE)	1
9	5750192	DRIVHJULSAKSEL QR STK FOR LEDSAGERBREMS REA	1
10	5750199	LEDSAGERBREMS FOC VE	1
11	5750705	LEDSAGERBREMS FOC HØ	1
12	1444287	LEDSAGERBREMS SETT KPL V E	1
13	1444286	LEDSAGERBREMS SETT KPL H Ø	1
14	1514451	(CABLE ASSY, DRUMBRAKE, WHEELER)	1
15	1513104	(DRUMBRAKE KIT 24" QR, LEFT, CPL, PAIR)	1

1




1551066

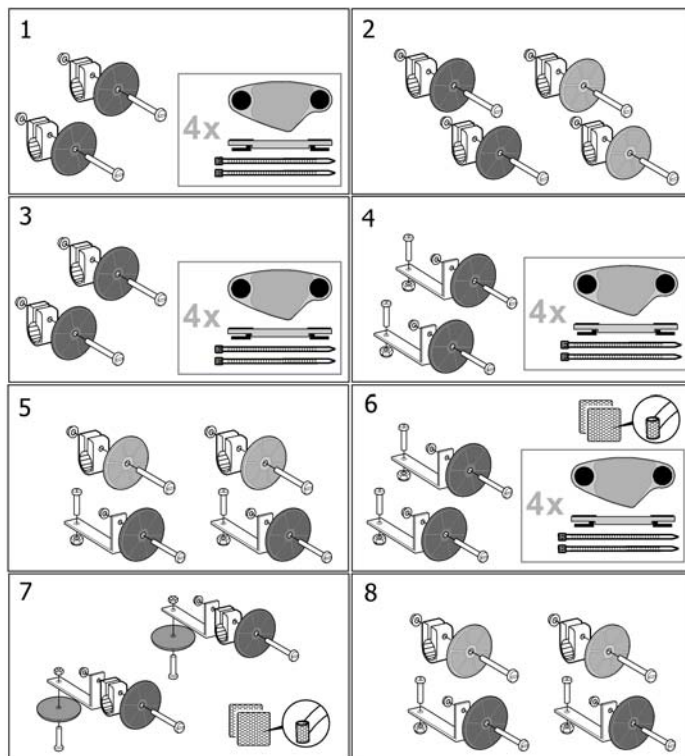
1 1551066

HOFTEBELTE ASSIST,AZALEA BELLIS,CLEMATIS,XLT

1

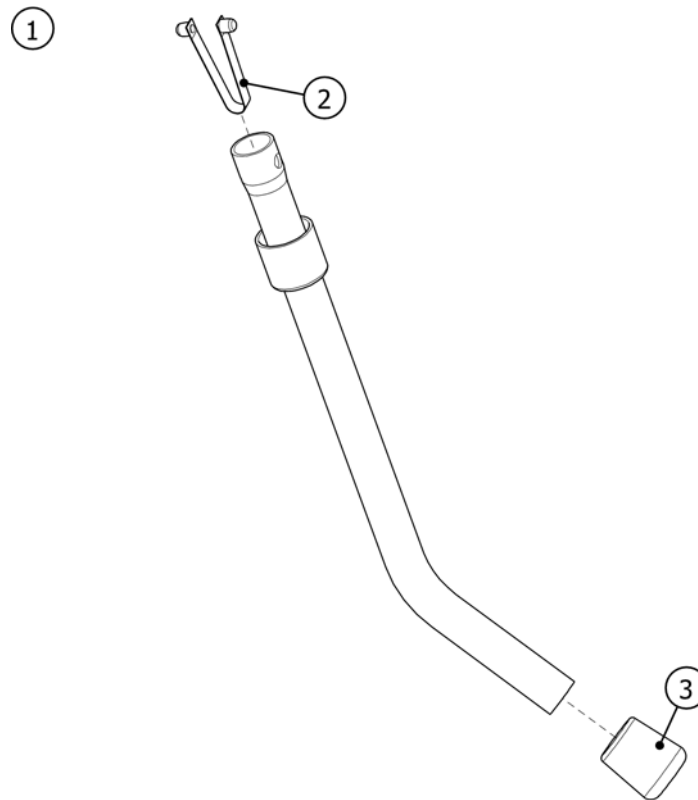
# (Reflector)

		
	20-26"	16"
Azalea	1	2
Bellis	3	3
Clematis	1	-
Focus	4	8
Spin <sup>x</sup>	1	-
Spirea <sup>2</sup> , Spirea <sup>3</sup> , Spirea <sup>4NG</sup>	4	5
Wheeler	6	7
XLT, XLT Max	3	-



1	SP5206655	(Reflector kit 20-24")	1
2	SP5254249	(Reflector kit 16")	1
3	5206640	REFLEKS	1
4	5104965	REFLEKS	1
5	1435760	REFLEKS KIT 16 SP2	1
6	5108147	REFLEKS KIT 20 OG 24	1
7	5108024	REFLEKS KIT	1
8	1546559	(Reflector Kit 9)	1

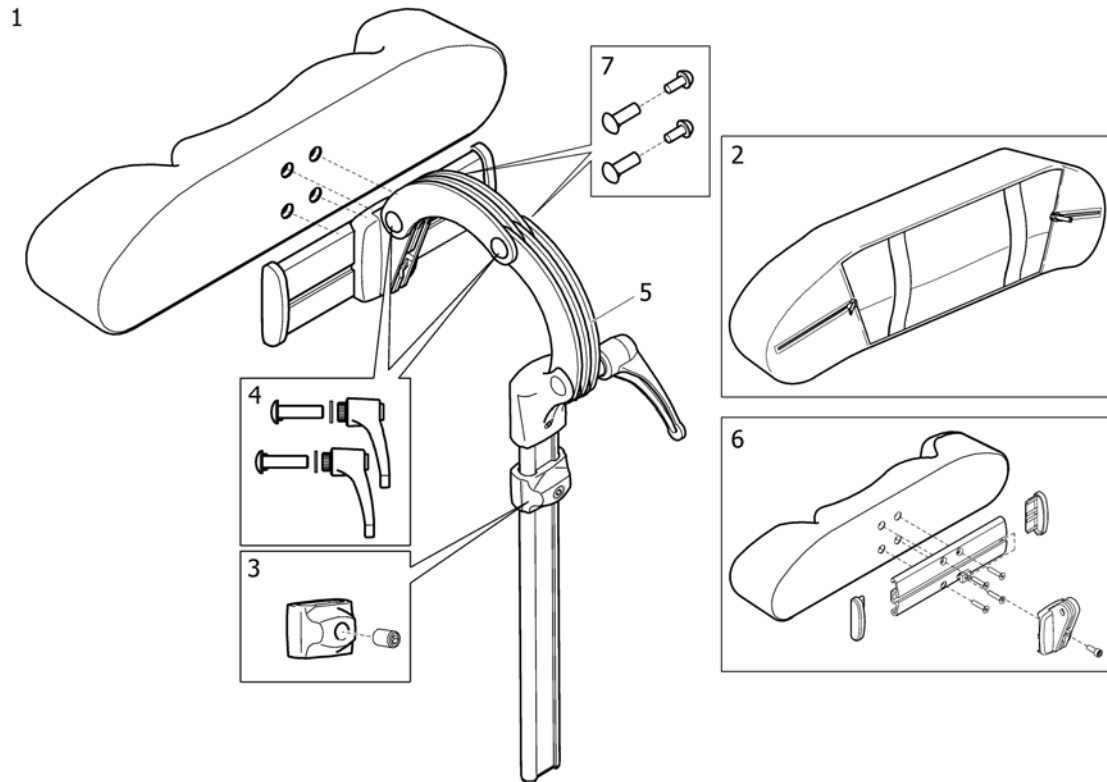


**(Anti-tip device)**

---

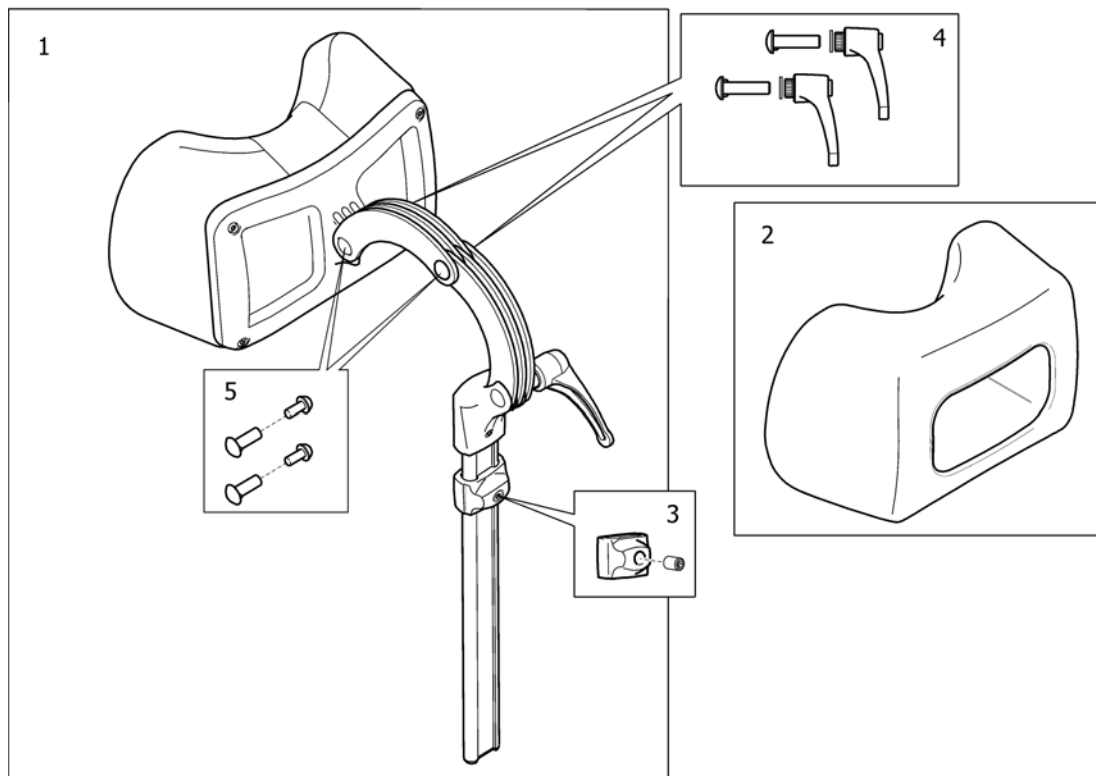
1	5254326-C01	TIPPESIKRING ASSIST	1
2	5321593	FJÆRLÅS XLT TIPPESIKRING	1
3	5716493	DOPPSKO F TIPPESIKRING REA LX	1

# (Headrest)



SPS144659

1	1446559	HODESTØTTE MULTI KPL TR26 MED SIDEFORFLYTNING	1
2	1518516	TREKK HODESTØTTE AZALEA BELLIS TR34	1
3	1448661	STOPPER FOR HREG NAKKE OG HODEST REA M SKRUE	1
4	1445693	HÅNDTAK KLINIK SETT HODESTØTTE	1
5	1485538	FESTE HODESTØTTE STORM4	1
6	1530755	(HEADREST CUSHION CPL)	1
7	SP1572769	(Fasteners kit, head- and neckrest)	1

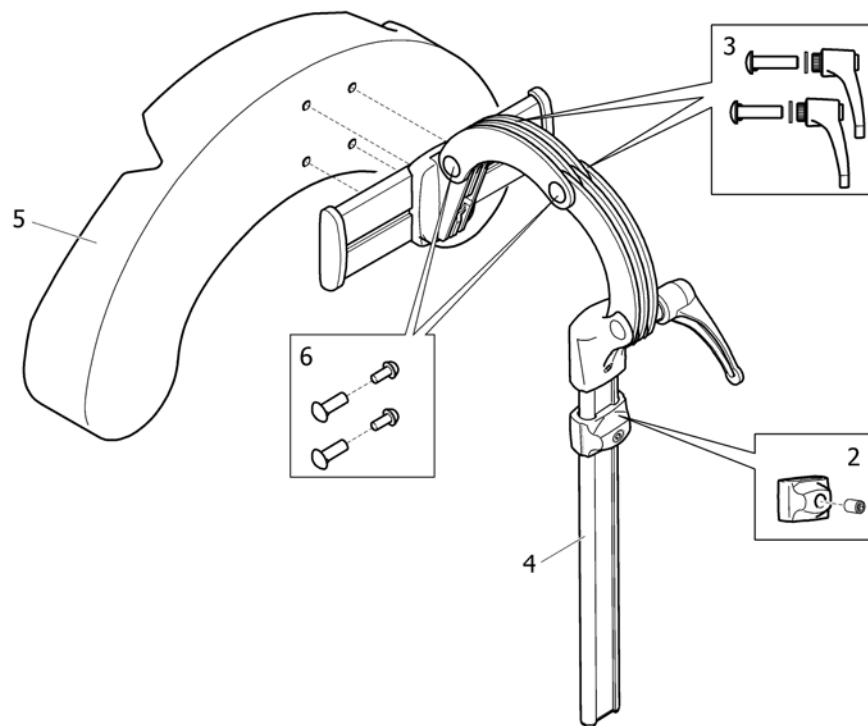


SP150848

1	1508848	HODESTØTTE STD KPL SVART DARTEX	1
2	1518517	TREKK NAKKESTØTTE AZALEA BELLIS TR34	1
3	1448661	STOPPER FOR HREG NAKKE OG HODEST REA M SKRUE	1
4	1445693	HÅNDTAK KLINIK SETT HODESTØTTE	1
5	SP1572769	(Fasteners kit, head- and neckrest)	1

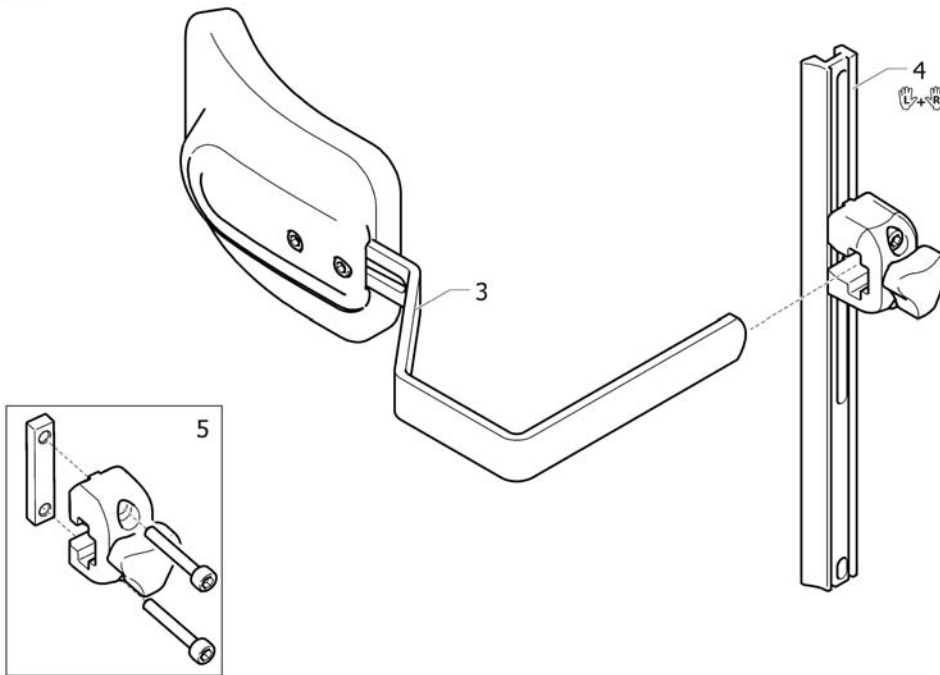
## (Cheek support)

1



SP11446560

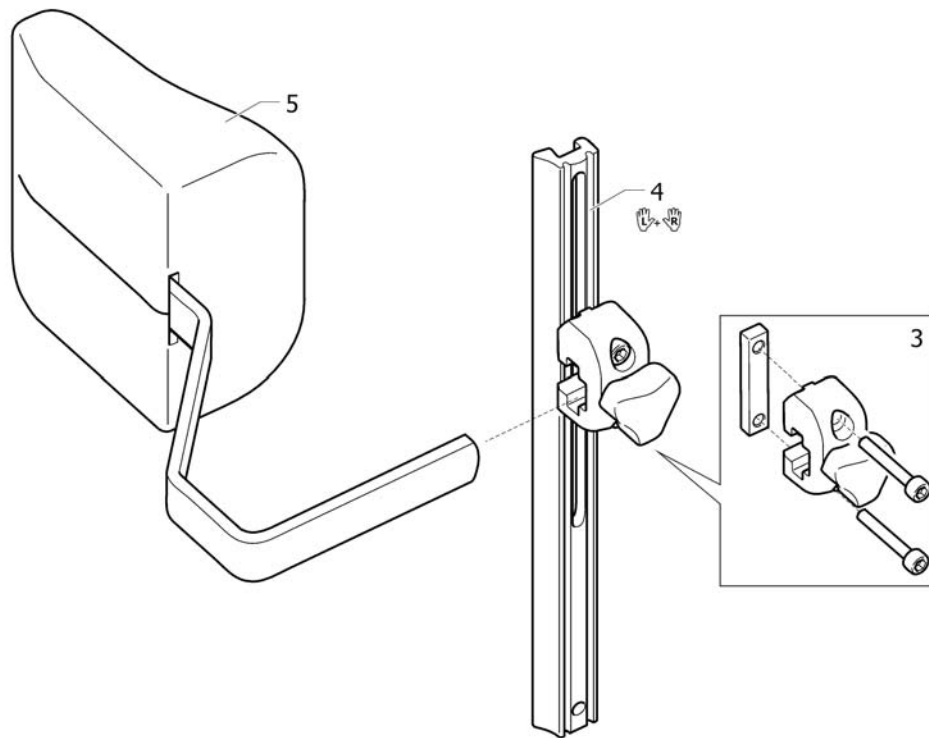
1	1446560	HODE/SKINN STØTTE KPL TR26 MED SIDEFORFLYTNING	1
2	1448661	STOPPER FOR HREG NAKKE OG HODEST REA M SKRUE	1
3	1445693	HÅNDTAK KLINIK SETT HODESTØTTE	1
4	1485538	FESTE HODESTØTTE STORM4	1
5	1444304	PUTE HAKESTØTTE BELLIS/A ZALEA	1
6	SP1572769	(Fasteners kit, head- and neckrest)	1



SPS1552651

1	1552651	SIDESTØTTE KPL VE LAGUNA	1
2	1552652	SIDESTØTTE KPL HØ LAGUNA	1
3	1552698	(Trunk support)	1
4	1518526	(Receiver trunk support (pair))	1
5	1543574	SIDESTØTTEFESTE KPL LAGUNA 2, CLEMATIS	1

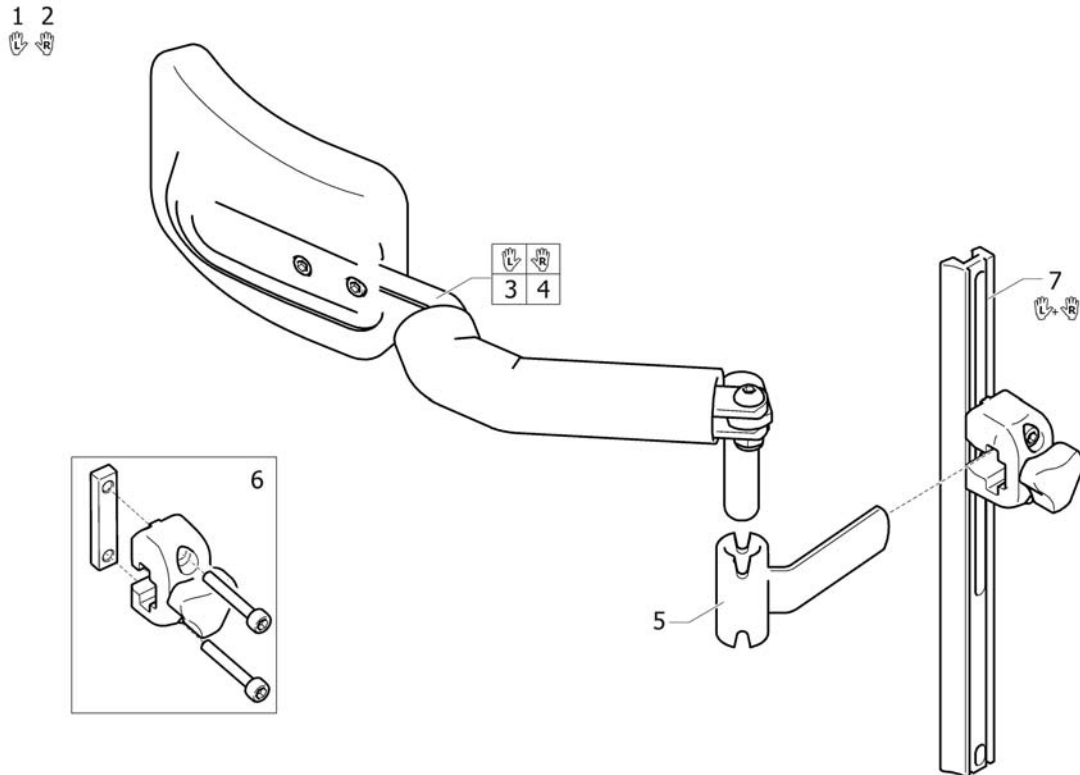
# (Trunk support, Laguna2 (->2012.04))



SPS1518520

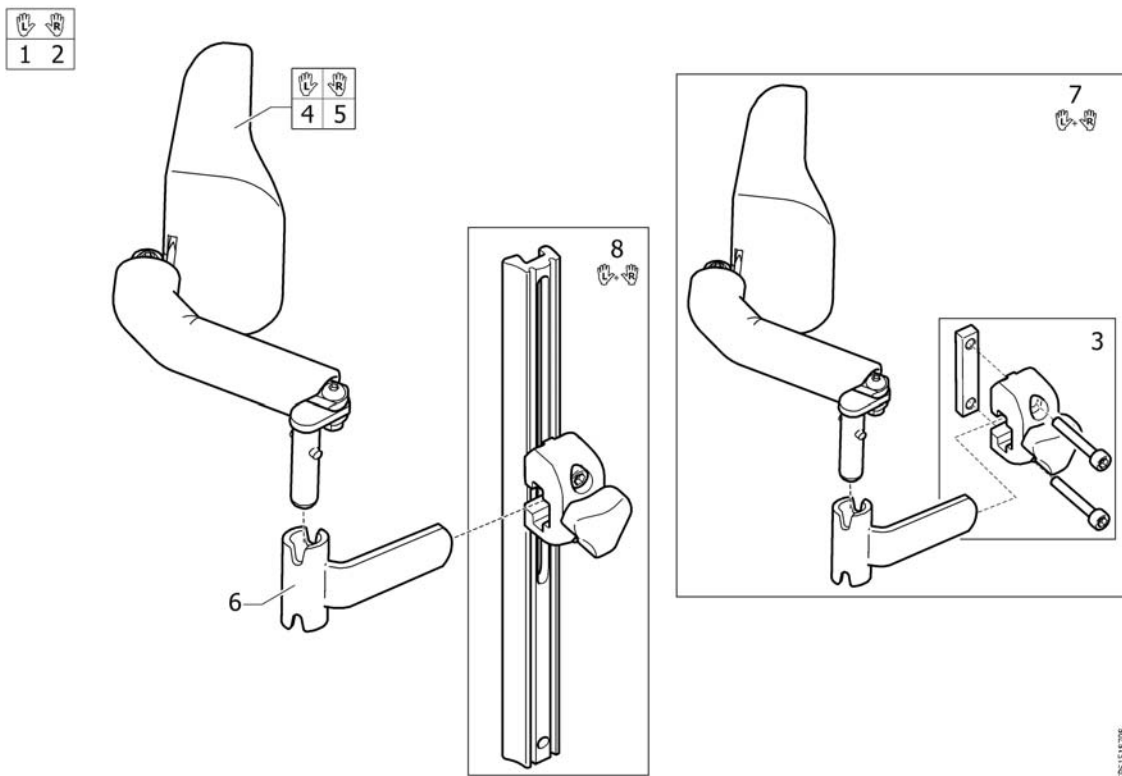
1	1518520	(TRUNK SUPPORT, LEFT, CPL, LAGUNA 2, CL)	1
2	1518519	(TRUNK SUPPORT, RIGHT, CPL, LAGUNA 2, CL)	1
3	1543574	SIDESTØTTEFESTE KPL LAGUNA 2, CLEMATIS	1
4	1518526	(Receiver trunk support (pair))	1
5	1518527	(TRUNKSUPPORT, DARTEX BLACK)	1

## (Trunk support, Swingaway, Laguna2)



1	1552655	SIDESTØTTE LAGUNA 2 INKL FESTE KPL VE	1
2	1552656	SIDESTØTTE LAGUNA 2 INKL FESTE KPL HØ	1
3	1551853	(Lh trunk-support cplt)	1
4	1551866	(Rh trunk-support complet)	1
5	1524903	HOLDER SIDESTØTTE AZALEA	1
6	1543574	SIDESTØTTEFESTE KPL LAGUNA 2, CLEMATIS	1
7	1518526	(Receiver trunk support (pair))	1

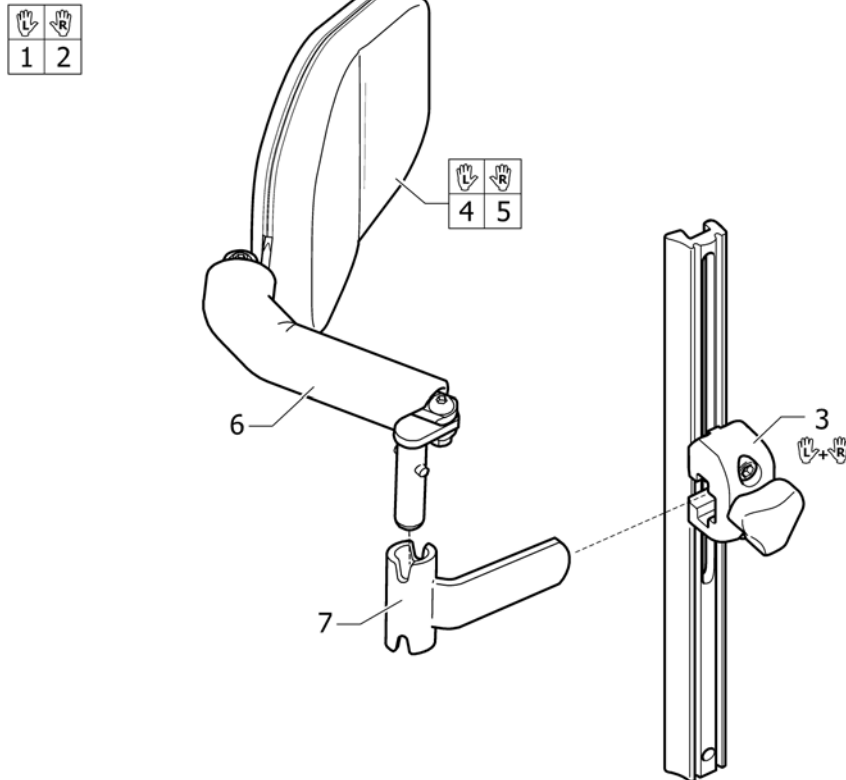
# (Trunk support, Swingaway, Laguna2 (->2012.04))



1	1518708	(TRUNK SUPPORT, LH. CPL, INCL.ATTACHMENT)	1
2	1518709	(TRUNK SUPPORT, RH. CPL, INCL.ATTACHMENT)	1
3	1543574	SIDESTØTTEFESTE KPL LAGUNA 2, CLEMATIS	1
4	1451822	SIDESTØTTE VENSTRE U/FES REA BELLIS	1
5	1451821	SIDESTØTTE HØYRE U/FESTE REA BELLIS	1
6	1524903	HOLDER SIDESTØTTE AZALEA	1
7	1518658	(TRUNK SUPPORT PAIR, LAGUNA 2, WITHOUT AL-PR.)	1
8	1518526	(Receiver trunk support (pair))	1



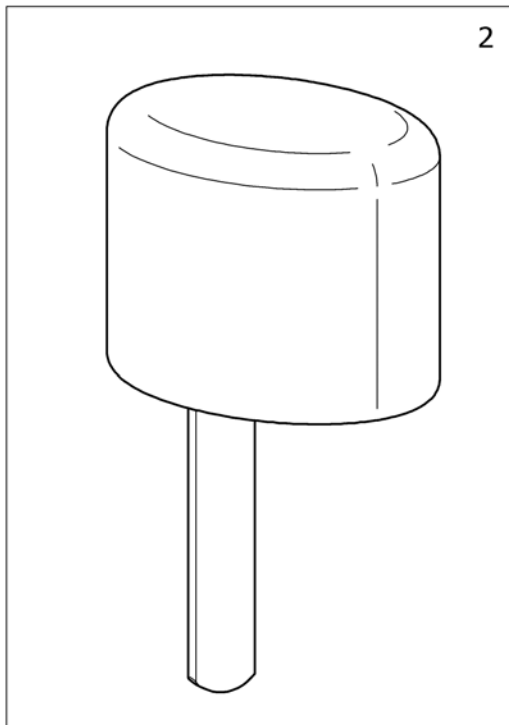
## (Trunk support, multi adj, Swingaway, Laguna2)



1	1530500	SIDESTØTTE MULTI REG INK L. FESTE VE	1
2	1530482	SIDESTØTTE MULTI REG INK L. FESTE HØ	1
3	1518526	(Receiver trunk support (pair))	1
4	1529225	(TRUNKSUPPORT, MULTI ADJ. LEFT, CPL)	1
5	1529224	(TRUNKSUPPORT, MULTI ADJ. RIGHT, CPL)	1
6	1437642	(Trunk Protection Dartex)	1
7	1524903	HOLDER SIDESTØTTE AZALEA	1

# (Pommel)

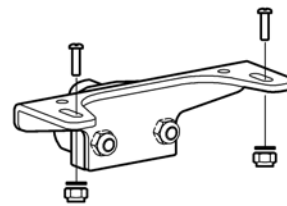
1



2

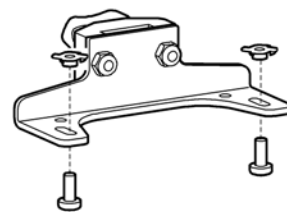
3

Rea *Azalea*  
Rea *Dahlia*



3

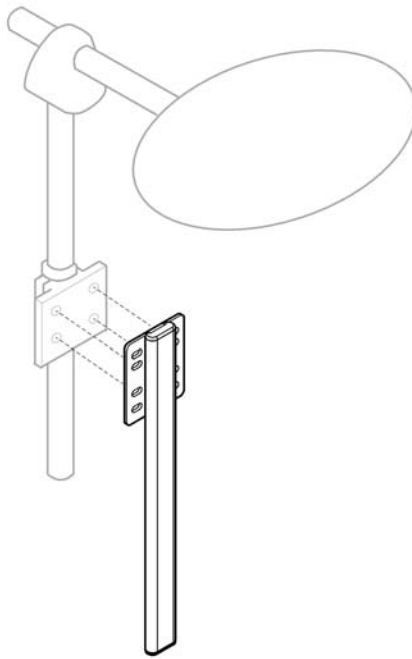
Rea *Clematis*



SP144172

1	SP1449897	(Pommel, Azalea + Clematis)	1
2	1444172	ADB KLOSS KPL TR26 ASSIST	1
3	SP1450464	HOLDER BENDELER AZALEA, CLEMATIS	1

1



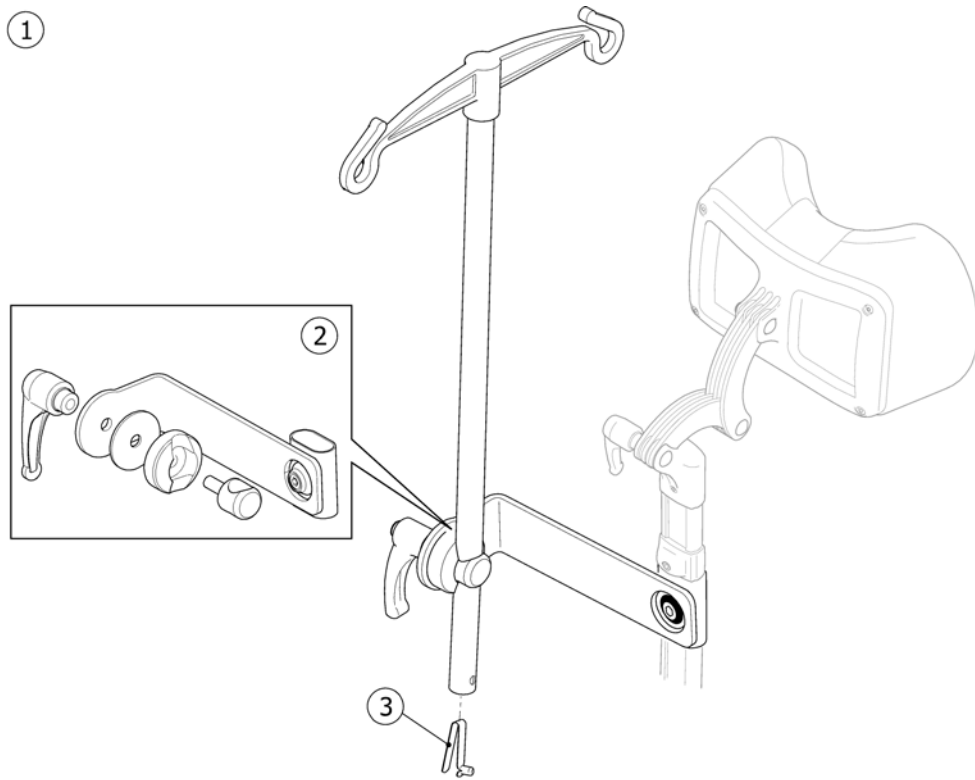
SP1581931

1 SP1581931

(Alternative Headrest mounting bracket)

1

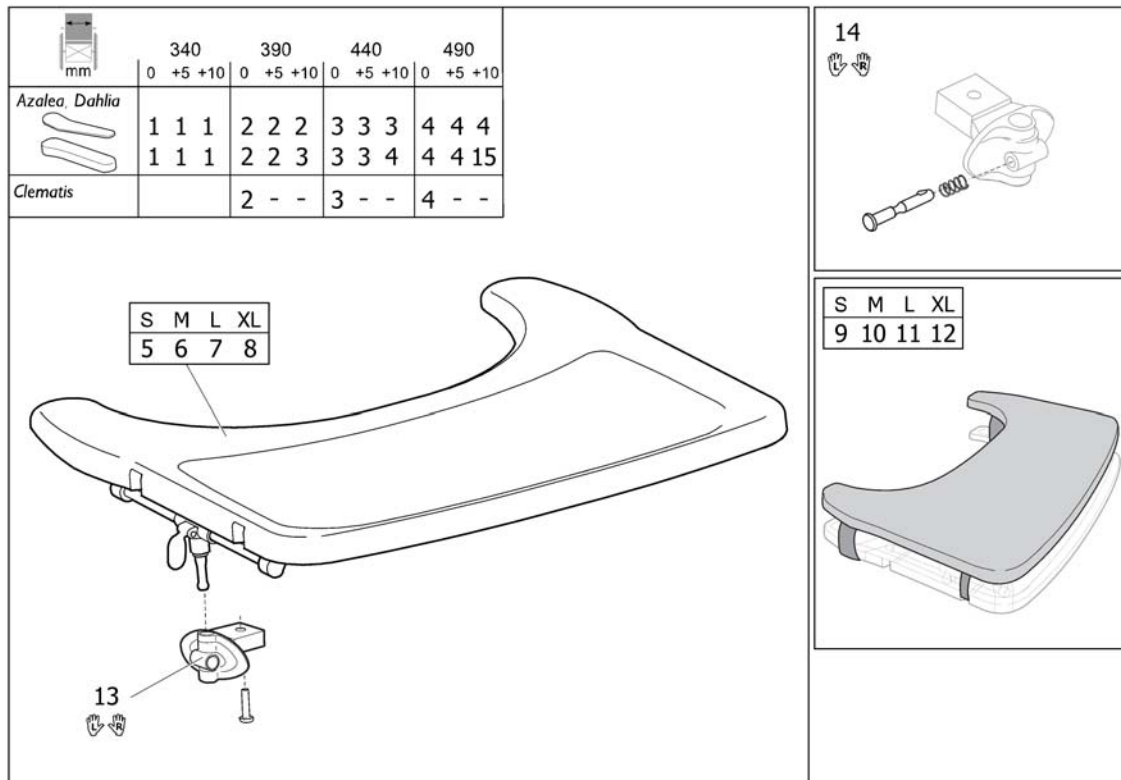
## (Dripstand)



SPS1440897

---

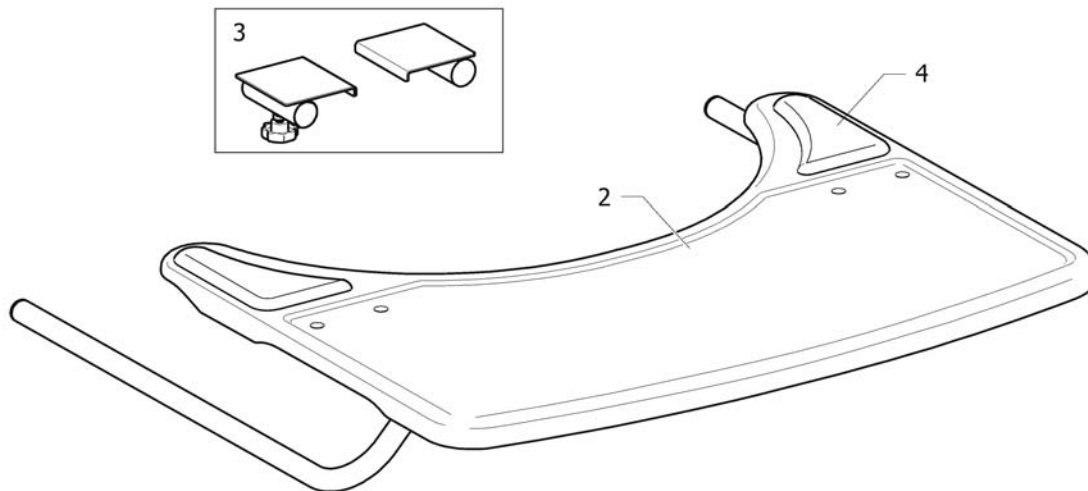
1	1440897	INFUSJONSSTATIV MED FESTE AZALEA/ACTION/CLEM	1
2	1518781	(ATTACHMENT, DRIP STAND)	1
3	1560734	SNAP BUTTON FOR ARMLEN AZALEA	1



1	SP1570747	BORD KPL. INKL.MONT.SATS MINOR SB34	1
2	SP1570748	BORD KPL. INKL.MONT.SATS SB39	1
3	SP1570749	BORD KPL. INKL.MONT.SATS SB44	1
4	SP1570775	BORD KPL. INKL.MONT.SATS SB49	1
5	SP1567517	(TABLE TRAY SMALL)	1
6	SP1567518	(Table tray Medium)	1
7	SP1567519	(Table tray Large)	1
8	SP1568862	(Table tray X-Large)	1
9	SP1570746	(TABLE CUSHION, SMALL)	1
10	SP1571269	BORDPUTE MEDIUM SB39 AZALEA	1
11	SP1571270	BORDPUTE LARGE SB44 AZALEA	1
12	SP1571271	BORDPUTE X-LARGE SB49 AZALEA	1
13	SP1570745	MONTERINGSSATS TIL BORD (SEPARAT BESTILT)	1
14	SP1572460	LÅSEMEKANISME, PAR, KIT, BORD	1
15	-	(Table tray, Azalea Max)	1

## (Table tray, Azalea Max)

1



SPS1521869

---

1	1528869	BORD KPL MED FESTE AZALEA MAX	1
2	1531907	BORD, KPL AZALEA MAX	1
3	1532190	(Attachment kit, Table Tray, Azalea Max)	1
4	1497825	(Elbow pad pair for table tray)	1





Yes, you can.®



---

**Belgium & Luxemburg:**

Invacare nv, Autobaan 22, B-8210 Loppem  
Tel: (32) (0)50 83 10 10, Fax: (32) (0)50 83 10 11  
belgium@invacare.com / www.invacare.be

**Denmark:**

Invacare A/S, Sdr. Ringvej 37, DK-2605 Brøndby  
Tel: (45) (0)36 90 00 00, Fax: (45) (0)36 90 00 01  
denmark@invacare.com / www.invacare.dk

**Deutschland:**

Invacare Aquatec GmbH, Alemannenstraße 10, D-88316 Isny  
Tel: (49) (0)75 62 7 00 0, Fax: (49) (0)75 62 7 00 66  
info@invacare-aquatec.com / www.invacare-aquatec.de

**European Distributor Organisation:**

Invacare, Kleiststraße 49, D-32457 Porta Westfalica  
Tel: (49) (0)57 31 754 540, Fax: (49) (0)57 31 754 541  
edo@invacare.com / www.invacare.eu.com

**España:**

Invacare SA, c/Areny s/n, Polígon Industrial de Celrà, E-17460 Celrà (Girona)  
Tel: (34) (0)972 49 32 00, Fax: (34) (0)972 49 32 20  
contactsp@invacare.com / www.invacare.es

**France:**

Invacare Poirier SAS, Route de St Roch, F-37230 Fondettes  
Tel: (33) (0)2 47 62 64 66, Fax: (33) (0)2 47 42 12 24  
contactfr@invacare.com / www.invacare.fr

**Ireland:**

Invacare Ireland Ltd, Unit 5 Seatown Business Campus, Seatown Road, Swords, County Dublin - Ireland  
Tel: (353) 1 810 7084, Fax: (353) 1 810 7085  
ireland@invacare.com / www.invacare.ie

**Italia:**

Invacare Mecc San s.r.l., Via dei Pini 62, I-36016 Thiene (VI)  
Tel: (39) 0445 38 00 59, Fax: (39) 0445 38 00 34  
italia@invacare.com / www.invacare.it

**Nederland:**

Invacare BV, Celsiusstraat 46, NL-6716 BZ Ede  
Tel: (31) (0)318 695 757, Fax: (31) (0)318 695 758  
nederland@invacare.com, csede@invacare.com / www.invacare.nl

**Norge:**

Invacare AS, Grensingsvingen 9, Postboks 6230, Etterstad, N-0603 Oslo  
Tel: (47) (0)22 57 95 00, Fax: (47) (0)22 57 95 01  
norway@invacare.com, island@invacare.com / www.invacare.no

**Österreich:**

Invacare Austria GmbH, Herzog Odilostrasse 101, A-5310 Mondsee  
Tel: (43) 6232 5535 0, Fax: (43) 6232 5535 4  
info-austria@invacare.com / www.invacare.at

**Portugal:**

Invacare Lda, Rua Estrada Velha, 949, P-4465-784 Leça do Balio  
Tel: (351) (0)225 1059 46/47, Fax: (351) (0)225 1057 39  
portugal@invacare.com / www.invacare.pt

**Sverige & Suomi:**

Invacare AB, Fagerstagatan 9, S-163 91 Spånåsa  
Tel: (46) (0)8 761 70 90, Fax: (46) (0)8 761 81 08  
sweden@invacare.com, finland@invacare.com / www.invacare.se

**Switzerland:**

Invacare AG, Benkenstrasse 260, CH-4108 Witterswil  
Tel: (41) (0)61 487 70 80, Fax: (41) (0)61 487 70 81  
switzerland@invacare.com / www.invacare.ch

**United Kingdom:**

Invacare Limited, Pencoed Technology Park, Pencoed, Bridgend CF35 5AQ  
Switchboard Tel: (44) (0)1656 776200, Fax: (44) (0)1656 776201  
Customer services Tel: (44) (0)1656 776222, Fax: (44) (0)1656 776220  
uk@invacare.com / www.invacare.co.uk