

# Rea® Azalea®

Azalea® Assist, Azalea® Base, Azalea® Max, Azalea® Minor,  
Azalea® Tall



en **Manual wheelchair passive**  
**User Manual**



This manual **MUST** be given to the user of the product.  
**BEFORE** using this product, read this manual and save for future  
reference.

**rea**®



**Yes, you can.®**

©2017 Invacare® Corporation

All rights reserved. Reproduction, duplication or modification in whole or in part is prohibited without prior written permission from Invacare. Trademarks are identified by ™ and ®. All trademarks are owned by or licensed to Invacare Corporation or its subsidiaries unless otherwise noted.

All information quoted is believed to be correct at time of print. Invacare® reserves the right to alter product specifications without prior consultation. Rea, Rea design and DSS (Dual Stability System) design are registered trademarks of Invacare® International.

# Contents

<b>1 General</b> . . . . .	<b>5</b>
1.1 Introduction . . . . .	5
1.2 Symbols in this manual . . . . .	5
1.3 Warranty . . . . .	5
1.4 Limitation of liability . . . . .	5
1.5 Customer service . . . . .	5
1.6 Accidents / Near accidents . . . . .	5
1.7 Intended use . . . . .	5
1.8 Compliance . . . . .	6
1.9 Service life . . . . .	6
<b>2 Safety</b> . . . . .	<b>7</b>
2.1 Specific risks . . . . .	7
2.1.1 Azalea Max and Azalea with Laguna 2 backrest . . . . .	7
2.2 Labels . . . . .	8
2.3 Location of the identification labels . . . . .	8
2.4 Symbols on the labels . . . . .	8
<b>3 Setup</b> . . . . .	<b>9</b>
3.1 Delivery check . . . . .	9
3.2 Assembly general . . . . .	9
3.3 Unfold the backrest . . . . .	9
3.4 Placing the wires . . . . .	9
3.4.1 Wires with tension adjustable backrest . . . . .	9
3.4.2 Wires with backrest plate . . . . .	10
3.5 Folding the backrest . . . . .	10
3.6 Armrests . . . . .	10
3.7 Rear wheels . . . . .	10
3.8 Angle adjustable legrests . . . . .	11
3.9 Fixed legrests . . . . .	11
3.10 Mounting the table tray . . . . .	11
<b>4 Components</b> . . . . .	<b>12</b>
4.1 Wheelchair overview . . . . .	12
4.2 Adjusting the tension adjustable backrest . . . . .	12
4.3 Backrest for Azalea Max . . . . .	12
4.4 Push handles/Push bars . . . . .	13
4.4.1 Height adjustment push handles/push bars . . . . .	13
4.4.2 Adjusting the angle of the push bar . . . . .	14
4.5 Carer-operated angle adjustment . . . . .	14
4.6 Manual tilt and backrest angle adjustment . . . . .	14
4.6.1 Adjusting the backrest angle . . . . .	14
4.6.2 Carer-operated tilt adjustment . . . . .	14
4.6.3 Locking the tilt and/or backrest angle adjustment . . . . .	15
4.7 Electric tilt and backrest angle adjustment . . . . .	15
4.7.1 Symbols on the hand control . . . . .	15
4.7.2 Backrest angle adjustment . . . . .	15
4.7.3 Tilt adjustment seat . . . . .	16
4.7.4 Locking of recline and tilt function . . . . .	16
4.7.5 Charging the battery . . . . .	16
4.8 Tilt scale . . . . .	16
4.8.1 Tilt scale backrest . . . . .	17
4.8.2 Tilt scale seat . . . . .	17
4.9 Seat adjustments . . . . .	17
4.9.1 Adjusting the seat depth . . . . .	17
4.9.2 Width adjustment seat . . . . .	17
4.10 Armrest adjustments . . . . .	18
4.10.1 Armrest height . . . . .	18
4.10.2 Armrest depth . . . . .	18
4.10.3 Armrest low . . . . .	18
4.11 Legrests . . . . .	19
4.11.1 Angle adjustable legrest . . . . .	19
4.11.2 Fixed legrest . . . . .	19
4.11.3 Adjusting the angle of the central legrest . . . . .	20
4.11.4 Legrest Azalea Max . . . . .	20
4.12 Amputee legrest . . . . .	20
4.12.1 Amputee legrest — general . . . . .	20
4.12.2 Amputee legrest — Azalea Max . . . . .	20
4.13 Foot plates — footrest . . . . .	21
4.13.1 Adjusting the angle adjustable foot plates . . . . .	21
4.13.2 Adjusting the one-piece footrest . . . . .	21
4.13.3 Footboard converter — Azalea Max . . . . .	21
4.14 Tires . . . . .	22
4.15 Calf pads adjustment . . . . .	23
4.16 Calf pads — Azalea Max . . . . .	23
<b>5 Accessories</b> . . . . .	<b>24</b>
5.1 Headrest / Neckrest . . . . .	24
5.1.1 Height adjustment . . . . .	24
5.1.2 Depth / angle adjustment . . . . .	24
5.2 Table tray . . . . .	24
5.2.1 Adjusting the depth of the table tray . . . . .	24
5.2.2 Swing away table . . . . .	25
5.3 Add a table tray cushion . . . . .	25
5.4 Add elbow cushions . . . . .	25
5.5 Mounting the attachment for table tray . . . . .	26
5.6 Half tray . . . . .	26
5.6.1 Mounting the half tray . . . . .	26
5.6.2 Adjusting the half tray . . . . .	26
5.6.3 Add a half tray cushion . . . . .	26
5.7 Hemiplegic armrest . . . . .	27
5.8 Abduction cushion . . . . .	27
5.9 Trunk support . . . . .	27
5.9.1 Trunk support with fixed arm . . . . .	27
5.9.2 Trunk support “swing-away” . . . . .	28
5.10 Lateral positioning pads (for adjustable backrest cover only) . . . . .	29
5.10.1 Using lateral positioning pads . . . . .	29
5.10.2 Using wedges with lateral positioning pad . . . . .	29
5.11 Adjusting the drip stand . . . . .	29
5.12 Anti-tip device . . . . .	30
5.13 Azalea Base — seat attachment . . . . .	30
5.14 Calf strap padded . . . . .	30
5.15 Heel strap — Azalea Max . . . . .	30
5.16 Brake extended — Azalea Max . . . . .	30
5.17 Cover for footrest / foot plate . . . . .	30
5.17.1 Attaching a cover to the single foot plate . . . . .	31
5.17.2 Attaching a cover to the one-piece footrest . . . . .	31
5.18 Foot box . . . . .	31
5.19 Directional lock . . . . .	32
5.20 Posture belt . . . . .	32
5.20.1 Posture belt — Azalea Base . . . . .	33
5.20.2 Posture belt — Azalea general . . . . .	33
5.21 Attachment when using posture belt for positioning . . . . .	33
5.22 Privacy attachment . . . . .	33
5.23 Harness . . . . .	34
5.23.1 Harness attachment holder . . . . .	34
5.23.2 Azalea Minor — harness . . . . .	34
5.23.3 Harness attachment — Azalea Base . . . . .	35
<b>6 Usage</b> . . . . .	<b>36</b>
6.1 General warnings Usage . . . . .	36
6.2 Operating the wheelchair . . . . .	36
6.2.1 Lifting the wheelchair . . . . .	36
6.2.2 Move to/from the wheelchair . . . . .	36
6.2.3 Using the tilt / recline function . . . . .	36
6.2.4 Using the user operated brake . . . . .	37
6.2.5 Using the One arm brake . . . . .	37
6.2.6 Using the carer-operated brake . . . . .	37
6.2.7 Stretching and leaning . . . . .	37
6.2.8 Propelling up a slope . . . . .	38
6.2.9 Propelling down a slope . . . . .	38
6.2.10 Climbing a kerb . . . . .	38
6.2.11 Kerbs — alternative method . . . . .	39
6.2.12 Escalators and stairs . . . . .	39
<b>7 Transport</b> . . . . .	<b>40</b>
7.1 Safety information . . . . .	40
7.2 Transporting occupied / unoccupied wheelchairs in vehicles . . . . .	40
7.2.1 Backrest and seat angles . . . . .	41
7.2.2 Posture belt . . . . .	41
7.2.3 Ramps and slopes . . . . .	41
7.3 Restraint methods . . . . .	41
7.3.1 Frontal restraints with straps . . . . .	42
7.3.2 Rear restraints . . . . .	42
7.3.3 Fastening of posture belt and safety belt . . . . .	42
7.4 Disassembly for transport . . . . .	42
7.4.1 Backrest . . . . .	42
7.4.2 Backrest Minor . . . . .	43

7.4.3	Push handles/push bar . . . . .	43
7.4.4	Remove the legrest angle adjustable . . . . .	43
7.4.5	Remove the footrest fixed . . . . .	43
7.4.6	Armrest . . . . .	43
7.4.7	Rear wheels . . . . .	44
<b>8</b>	<b>Maintenance . . . . .</b>	<b>45</b>
8.1	Daily performance check . . . . .	45
8.2	Safety information . . . . .	45
8.3	Maintenance electrical version . . . . .	45
8.4	Cleaning . . . . .	45
8.5	Washing and disinfection . . . . .	45
8.5.1	Electrical version . . . . .	45
<b>9</b>	<b>After Use . . . . .</b>	<b>46</b>
9.1	Recycling . . . . .	46
9.1.1	Waste disposal . . . . .	46
<b>10</b>	<b>Storage . . . . .</b>	<b>47</b>
<b>11</b>	<b>Troubleshooting . . . . .</b>	<b>48</b>
11.1	Troubleshooting electrical version . . . . .	48
<b>12</b>	<b>Technical Data . . . . .</b>	<b>49</b>
12.1	Dimensions and weights . . . . .	49
12.1.1	Maximum weight of removable parts . . . . .	50
12.2	Material . . . . .	51
12.3	Environmental conditions . . . . .	51
12.4	Electrical system — Models equipped with electric tilt and backrest . . . . .	51
12.5	Electromagnetic compliance (EMC) . . . . .	51
12.6	EMC - Manufacturer's declaration . . . . .	52
<b>13</b>	<b>Service . . . . .</b>	<b>53</b>
13.1	Maintenance schedule . . . . .	53
13.2	Flat tire . . . . .	53

# 1 General

## 1.1 Introduction

Rea® Azalea is a wheelchair with many adjustment possibilities and accessories. To ensure that you benefit as much as possible from Rea® Azalea, and in order to do its options justice, the chair must be tested and adjusted by competent personnel. You should also receive instructions on how to use your Rea® Azalea in everyday life.

This manual includes a description of the parts of the chair, simple adjustment options, how to use the Rea® Azalea safely and how to transport it. The manual must be read thoroughly by the user and assisting person.

Also included in this manual is a description of how accessories are fitted and slightly more advanced settings.

As the Rea® Azalea has many different components and accessories, the appearance of the accessories you have for your chair may differ from those shown.

## 1.2 Symbols in this manual

In this User Manual warnings are indicated by symbols. The warningsymbols are accompanied by a heading that indicates the severity of the danger.



### WARNING

Indicates a hazardous situation that could result in serious injury or death if it is not avoided.



### CAUTION

Indicates a hazardous situation that could result in minor or slight injury if it is not avoided.



### IMPORTANT

Indicates a hazardous situation that could result in damage to property if it is not avoided.



### Tips and Recommendations

Gives useful tips, recommendations and information for efficient, trouble-free use.



This product complies with Directive 93/42/EEC concerning medical devices. The launch date of this product is stated in the CE declaration of conformity.

## 1.3 Warranty

We provide a two-year warranty from the delivery date. Damage due to wear and tear on upholstery, tires, (rubber) tubes, hand rims and castors etc., is not covered by the warranty. Damage that has been caused through physical violence or abnormal use is not covered. Damage caused by users who weigh more than the maximum user weight stated for each wheelchair model is not covered. The warranty will only apply if the maintenance instructions are followed.

## 1.4 Limitation of liability

Invacare Rea AB accepts no liability for damage arising from:

- Non-compliance with the User Manual
- Incorrect use
- Natural wear and tear
- Incorrect assembly or set-up by the purchaser or a third party
- Technical modifications

- The usage of an unapproved 3rd party backrest instead of a tested and approved Invacare backrest.
- Unauthorised modifications and/or use of unsuitable spare parts

The written authorisation of Invacare Rea AB must be obtained before installing additional adaptations on a Invacare Rea wheelchair. Otherwise no liability claims can be made.

## 1.5 Customer service

For contact details to where you can find information about for example product safety notices and product recalls, please refer to the last page of this publication where you will find addresses to the European sales companies.

This User Manual contains important information about using the wheelchair. In order to ensure safety when using your wheelchair, read the User Manual carefully and follow the safety information.

If your vision is impaired, you can view the user manual as a PDF file on the Internet at [www.invacare.xx](http://www.invacare.xx) (xx = local country code) and enlarge it on-screen as required. If you cannot enlarge the texts and graphics sufficiently, please contact the invacare® distributor for your country; → addresses on the reverse of this document. If necessary, we will provide you with a high resolution PDF file of the user manual. Moreover, you can have the PDF file read out to you with the aid of suitable programs using special language functions on your computer (e.g. in Adobe® Reader®X: Shift+Ctrl+Y).

## 1.6 Accidents / Near accidents

Please inform your Invacare office immediately of any accidents or near-accidents that have been caused by this wheelchair and that have led to, or could have led to, personal injury. The relevant authority must also be contacted and reported to.

## 1.7 Intended use

Rea® Azalea is a family of manual wheelchairs, intended for dependent and semi-dependent passive users, who remain seated for long periods of time. The wheelchair is intended to be operated by the user or assistant. Also, the adjustment of the seating position can be done by the user or assistant.

- The wheelchair is intended for both outdoor and indoor use.
- The Rea® Azalea must be used with a seat and a backrest system.
- Rea® Azalea Minor is intended for smaller adults and teenagers.
- Rea® Azalea Max is intended for larger adults.
- Rea® Azalea Tall is intended for taller adults.
- Rea® Azalea Base is a wheelchair base and can be combined with different seating systems, such as individually adapted anatomic seats manufactured by different companies.

The maximum weight for each version is stated in the Technical Data section.

### Contraindications

A seat tilt is not intended for users who are sensitive for increased blood pressure in the upper part of the body. See section "Carer-operated angle adjustment".

## 1.8 Compliance

This product is in compliance with EN 12183 Manual wheelchairs – Requirements and test methods and the European Directive 93/42/EEC concerning medical devices to apply the CE-mark.

This product has been tested and conforms to the standards ISO 7176–8, ISO 7176–14 and ISO 7176–16 or ISO 1021–2 for resistance to ignition.

The Rea® Azalea family have been crash tested together with the Invacare "Flex 2" and/or "Flex 3" standard backrest. The Rea® Azalea standard has also been crash tested with Laguna 2 backrest. All configurations, are tested together with REA neckrest.

The Rea® Azalea Base has been crash tested together with the Invacare "Flo-shape" seat cushion and "MatrX PB" backrest. The Rea® Azalea Base has also been crash tested together with the "Leckey" seating systems "Mygo" and "Kit". Other tests performed on the Azalea Base have also been carried out with the standard backrest and seat from the Azalea range mounted.

Invacare can in no way predict the effect of an accident with other configurations.

The Rea® Azalea product range has been tested as complete products including Invacare backrests. However, when the Rea®Azalea is ordered without backrest, it is not to be considered as a complete product. Only when the base and the backrest system have been combined, an evaluation of the safety can be done. The company that mounts the backrest system must perform a final risk assessment. Always check whether there is a compatibility agreement between the manufacturer of the backrest and Invacare. Only then the product maintains its CE-marking.

## 1.9 Service life

We estimate that the Invacare® wheelchair has a service life span of five years. It is difficult to state the exact length of the service life of our products and the length stated is an estimated average life span based on normal use. The life span may be considerably longer if the wheelchair is used to a limited extent and if it is used with care, maintained and handled properly. The life span may be shorter if the wheelchair is subjected to extreme use.


## 2 Safety

### 2.1 Specific risks

Below you will find a number of points affecting your personal safety. Read them carefully! Contact your local Invacare office or Health Care provider in case you need assistance.

Invacare is only responsible for product changes carried out by competent personnel. We reserve the right to make any changes to equipment and specifications without prior notice.

Failure to comply with instructions given may result in personal injury and/or product damage.

 The wheelchair must always be equipped with legrests, footrests, seat cushion and armrests!

For exception regarding the legrests see section: Pelvic belt



**WARNING!**  
**Risk of injury**

- The wheelchair must always be prescribed by an authorised personnel or a competent person with knowledge about seating/positioning and others related to using a wheelchair.



**WARNING!**  
**Risk of falling**

- Check that all parts are attached securely to the frame.
- Check that all wheels, knobs, screws and nuts are properly tightened.
- Check that all brakes and anti-tip devices function correctly.
- Always apply the brake before getting into or out of the chair.
- Never stand on the foot plates when getting into or out of the chair, because of the risk of tipping.
- Changing the seat angle can mean an increased risk of tipping over.
- The wheelchair must always be equipped with anti-tip devices.
- Remember that the effectiveness of the carer-operated brake is reduced in wet and slippery conditions, as well as when on a slope.
- Be careful to ensure that the rear wheels are securely attached.



**WARNING!**  
**Risk of tipping/falling when using velcro® backrest**

- There is a risk of tipping and injury if the velcro® straps on the backrest become too slack. Always check the tension. Also check that the rear wheels are adjusted to ensure that there is no risk of tipping.



**WARNING!**  
**Risk of injury**

- Never lift the wheelchair by the detachable armrests, footrests, back brace or by the adjustable push handles. See section “usage” for more information.
- The handrims may become hot due to friction, which may cause injury to your hands.
- When mounting accessories etc. be careful not to trap your fingers.
- There is always an increased risk of trapping parts of your body when tilting the wheelchair’s back and seat.
- The width of the seat must not be reduced too much, as this would increase the pressure from the armrests to the side of the pelvis.



**CAUTION!**  
**Risk of burning**

- The wheelchair components can heat up when exposed to external sources of heat.
- Do not expose the wheelchair to strong sunlight before use.
  - Surfaces of the wheelchair like frame parts or upholstery can, after long exposure to the sun, reach temperatures over 41°C.
  - Before usage, check all components that come into contact with your skin for their temperature.



**WARNING!**  
**Risk of pressure sores and contracted posture**

- The user must not be seated in a tilted position for a long time. The seating positions needs to be varied to avoid pressure sores.



**CAUTION!**  
**Risk of getting fingers caught**

- There is always a risk of getting, e.g. fingers or arms, caught in the moving parts of the wheelchair.
- Make sure when activating the folding or insertion mechanisms of moving parts, such as the removable axle of the rear wheel, folding backrest or antitipper, that nothing becomes caught.

#### 2.1.1 Azalea Max and Azalea with Laguna 2 backrest

##### Azalea with Laguna 2 backrest



**WARNING!**  
**Risk of tipping backward**

- When using the Laguna 2 backrest in the highest position combined with rear activated tilt and recline, the risk of tipping backward increases.
- Always check and adjust the balance of the wheelchair in relation to the individual user.

## Azalea Max



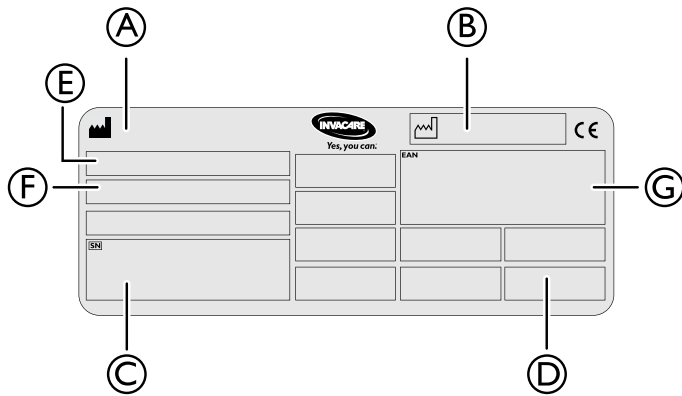
### WARNING!

#### Risk of tipping forward

The purpose of the seat extender is that it should be used together with the chassis extender, otherwise the risk of tipping forward increases.

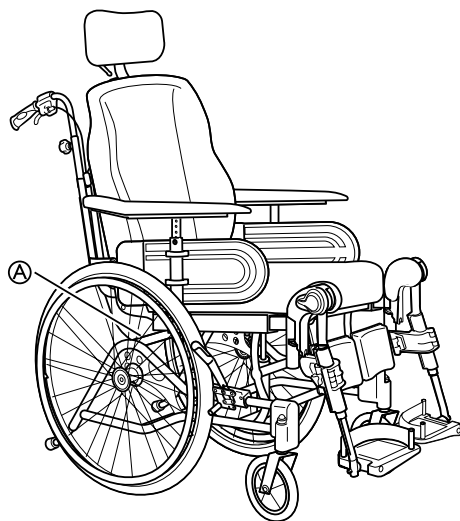
- Always use the seat extender in combination with the chassis extender.
- Be careful when driving down a slope or down from a kerb.
- Control the position of the user to make sure that the position is stable.
- Always check and adjust the balance of the wheelchair in relation to the individual user.

## 2.2 Labels

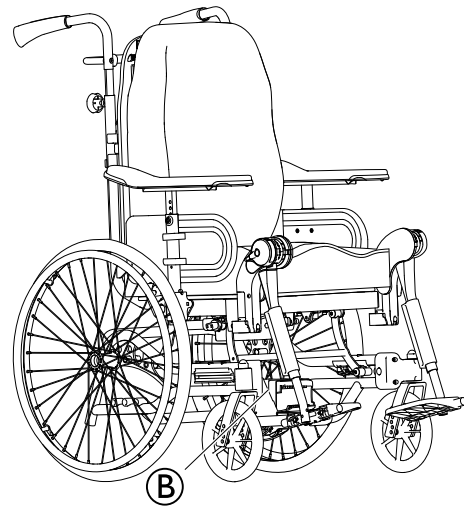


- Ⓐ Manufacturer
- Ⓑ Manufacturing date
- Ⓒ Serial No.
- Ⓓ Max user weight
- Ⓔ Model
- Ⓕ Model information such as seat depth and seat height
- Ⓖ EAN number

## 2.3 Location of the identification labels



- Ⓐ Location of the serial label



- Ⓑ Location of the electrical information label

## 2.4 Symbols on the labels

### General



Refer to the user manual.



Waste disposal and recycling information. See section "After Use", "Waste disposal"



This product complies with Directive 93/42/EEC concerning medical devices. The launch date of this product is stated in the CE declaration of conformity.

### Electrical version



CLASS II equipment



Warning / Caution



Product with a thermal fuse

Type B Applied Part



Applied Part complying with the specified requirements for protection against electrical shock according to IEC60601-1.



Safety Isolation transformer, general



## 3 Setup

### 3.1 Delivery check

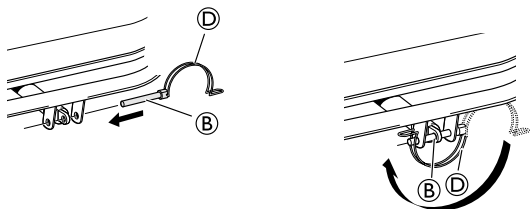
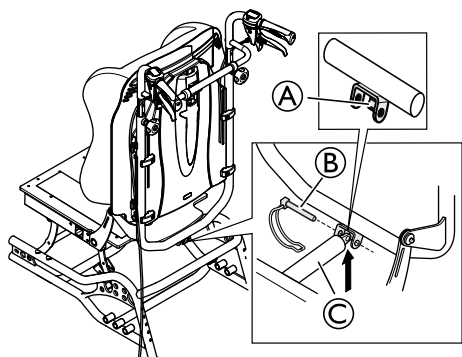
Any transport damage must be reported immediately to the transport company. Remember to keep the packaging until the transport company has checked the goods and a settlement has been reached.

### 3.2 Assembly general

When you receive your wheelchair, you either fit the backrest or, on some models, fold up the backrest. You also have to fit the armrests and legrests onto the chair. The assembly is simple and does not require any tools.

### 3.3 Unfold the backrest

On the models where the backrest folds up, secure the piston at the bottom of the backrest with the safety pin ⑥.



#### **WARNING!** Electrical version

The backrest may come loose if the piston rod is accidentally detached from its housing.

- Before attaching the piston to the backrest, turn the piston rod ③ maximum clockwise.
- When aligning the holes, only turn the piston rod ③ maximum a half turn counterclockwise.

1. Let the piston rest on the lip ① for support when mounting the piston.
2. Tilt the backrest slightly forward while supporting the piston manually.
3. Align the holes of piston rod and backrest attachment and slide the safety pin ⑥ through them.
4. Lock the safety pin with the lock shackle ④.
5. Secure the backrest cushion using the hook and loop strips.

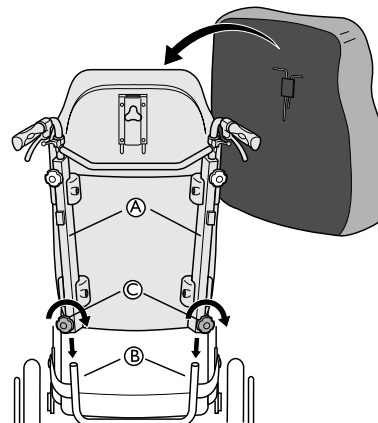


#### **WARNING!**

##### **Safety risk**

- The wheelchair may collapse
- Remember to always reinsert and fasten the safety pin when it has been removed.
  - Check that the lock shackle / loop is securely locked.

#### Azalea Minor



On Azalea Minor the backrest is fitted onto the wheelchair by sliding the profiles ① of the backrest onto the tubes of the chair ②. Make sure that you push the backrest down as far as possible. Secure into place by tightening the knobs ③.



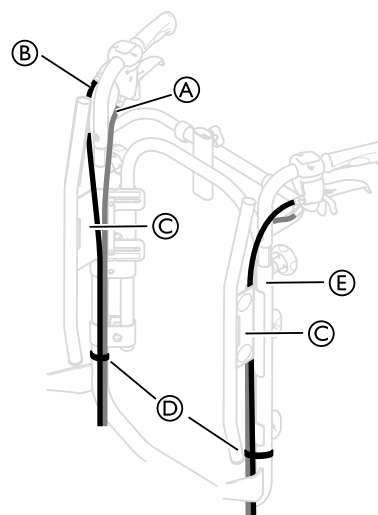
#### **WARNING!**

##### **Risk of injury**

- Check that the backrest is firmly secured in its position!

### 3.4 Placing the wires

#### 3.4.1 Wires with tension adjustable backrest



1. Place the wires ① and ② as shown on the picture above.




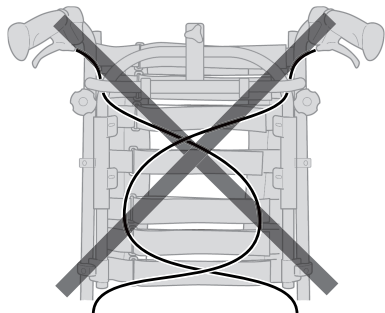
#### **Risk of damage to the wires**

- It is important that the cable for the assistant brake ① is placed on the inside of the backrest tubes.

2. Place the wire for the backrest/seat recline ② outside of the backrest tubes.

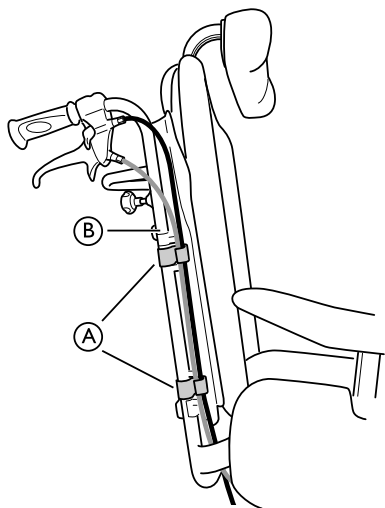
- Place both of the wires on the inside of the backrest attachment ③.
- Attach the wires to the backrest tubes ⑤ with the straps ④.

 Fold the slack of the wires under the seat to get them out of the way.




**CAUTION!**  
**Risk of reduced brake effect**  
 – The wires must not be crossed on the backrest!

### 3.4.2 Wires with backrest plate



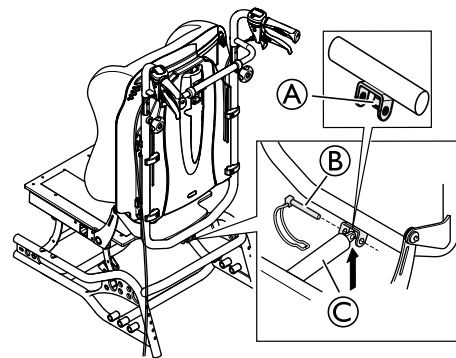
- Thread the wires on the outside of the backrest tubes ②.
- Place the wires in the holders/clips ① in order to hold them in place.

 Fold the slack of the wires under the seat to get them out of the way.

### 3.5 Folding the backrest



**WARNING!**  
**Safety risk**  
 The wheelchair may collapse  
 – When the safety pin is removed, there must not be any weight on the backrest.



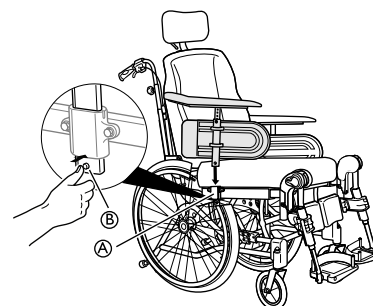
With the help of the piston rod resting lip ①, the therapist / assistant can loosen the safety pin ② for the backrest piston rod ③ when folding, in order to avoid that the piston and backrest falls to the ground.




**WARNING!**  
**Safety risk**  
 The wheelchair may collapse  
 – Remember to always reinsert and fasten the safety pin when it has been removed.  
 – Check that the lock shackle / loop is securely locked.

See section: “Folding the backrest” for instructions on how to secure the safety pin ②.

### 3.6 Armrests

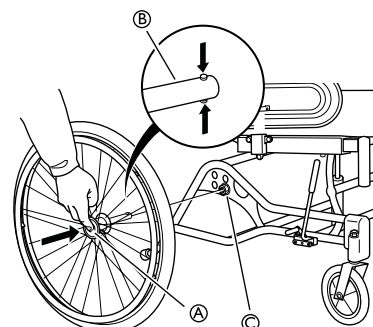


- Place the armrest in the armrest attachment ①.
- Press the auto-lock button ② and press the armrests downwards until you can feel/see that the armrests are securely in place.

 The armrests have an auto-lock to prevent involuntary movement or detachment.

- Press the auto-lock button ② to release before removing or adjusting the armrest.

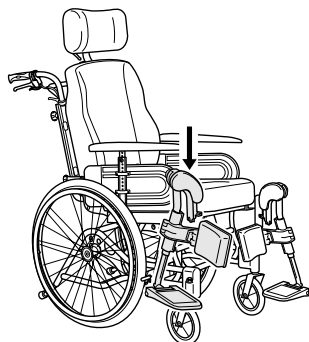
### 3.7 Rear wheels



1. Press and hold in the quick-release button Ⓐ.
2. Place the rear wheel axle Ⓑ in the rear wheel attachment Ⓒ.
3. Pull the wheels outwards to check that the wheel is securely locked in position.

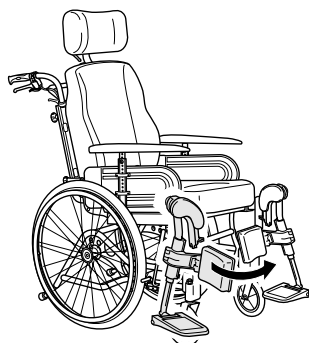
**WARNING!****Risk of injury**

- It is really important to check that the rear wheel is securely locked in position! It should not be possible to remove the wheels when the quick-release button Ⓐ is inactivated.

**3.8 Angle adjustable legrests**

1. Push the legrests down into the tubes of the legrest attachment.

**i** You must angle the legrest outwards when inserting it into the legrest attachment.

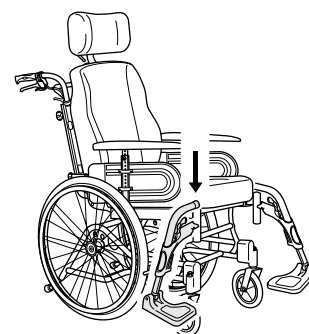


2. Turn the legrest inwards to lock it into position.

**i** The legrests are automatically locked, there is no risk of them coming off the wheelchair.

**3.9 Fixed legrests**

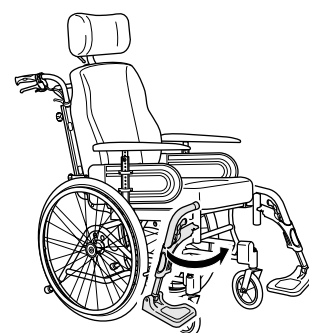
- 1.



Push the footrest down into the tubes of the legrest attachment.

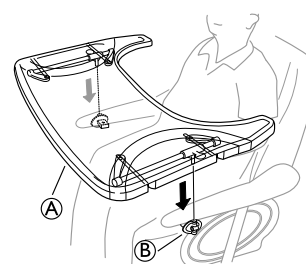
**i** You must angle the footrest outwards when inserting it into the legrest attachment.

- 2.



Turn the footrest inwards to lock it into position.

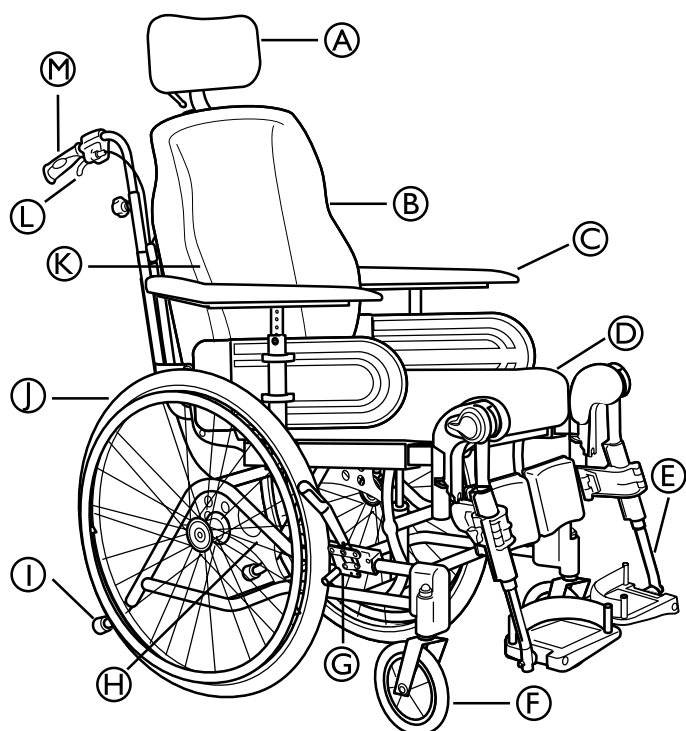
**i** The footrests are automatically locked, there is no risk of them coming off the wheelchair.

**3.10 Mounting the table tray**

Mount the table tray Ⓐ in the table tray attachments Ⓑ.

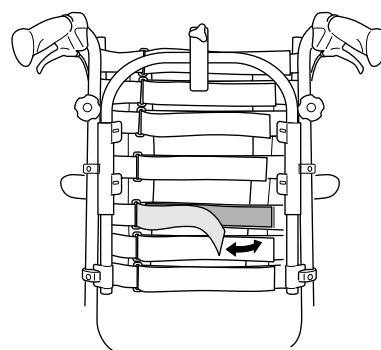
## 4 Components

### 4.1 Wheelchair overview



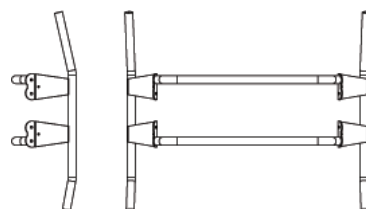
- Ⓐ Neckrest
- Ⓑ Backrest
- Ⓒ Armrest
- Ⓓ Seat
- Ⓔ Legrest
- Ⓕ Castor
- Ⓖ Brake
- Ⓗ Rear wheel plate
- Ⓘ Anit-tip device and step tube
- Ⓝ Rear wheel
- Ⓚ Allen key for adjustments (on the back of the backrest cushion)
- Ⓛ Handle for backrest angle and seat tilt adjustment
- Ⓜ Push handle

### 4.2 Adjusting the tension adjustable backrest



1. Define where you would like to have a firmer support of the back of the user.
2. Have the user leaning forwards and tighten the straps in that region.
3. Make sure that all straps are fastened.
4. Apply the cover (start with the vertical middle) and make sure that the shape now created by the tension adjustable straps is preserved.

### 4.3 Backrest for Azalea Max



- Ⓐ Position A — The longer angle of the backrest is turned upwards.
- Ⓑ Position B — The longer angle of the backrest is turned downwards.

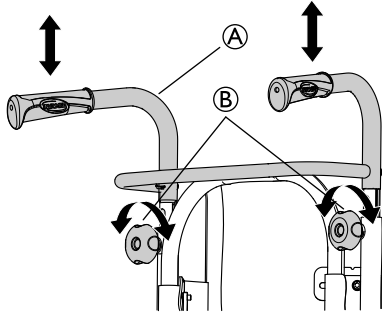
The backrest for the Azalea Max is designed with different angles. This allows for different adjustments according to how the backrest is mounted. Position Ⓐ (the part of the backrest with the longer angle turned upwards) gives the user more room for the shoulder area while position Ⓑ gives more room for the bottom.

## 4.4 Push handles/Push bars

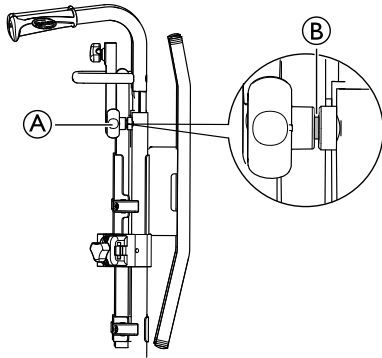
The following instructions and warnings are valid for all push handles and the push bar:

### 4.4.1 Height adjustment push handles/push bars

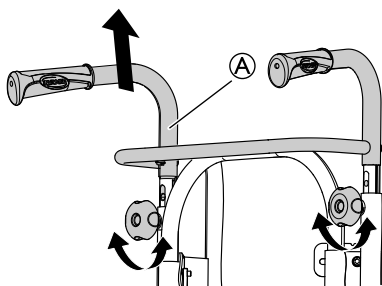
#### Adjusting the height of the connected push handles



1. Loosen the hand wheels ②.
2. The height of the push handles braced / push bar ① can be adjusted simply by pulling the handles upwards or pushing them downwards.
3. Adjust to the height that you require.
4. Re-tighten the hand wheels.



**i** Make sure that the hand wheel for the push handle ① fits the hole in the tubes. If the threaded tap of the hand wheel ② is more than app. 2,5 mm visible, the position is wrong. Lower or raise the push handle to get the hand wheel in the correct position.



**i** The push bar/push handles braced ① must not be pulled up so that it protrudes more than 19 cm over the top edge of the attachment.

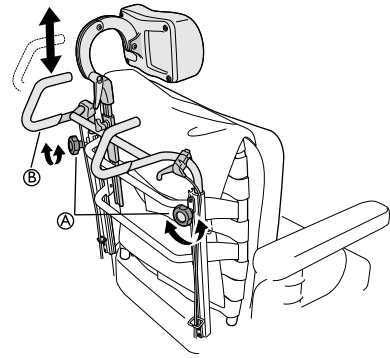


#### CAUTION!

##### Risk of trapping fingers

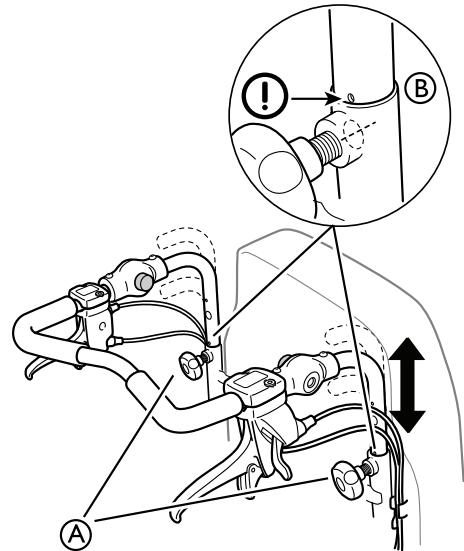
- Do not trap your fingers between the push handles braced and the neckrest attachment. (If you have a tension adjustable backrest).

#### Push bar Azalea Max



1. Loosen the handwheels. ②.
2. The height of the push handles braced / push bar ① can be adjusted simply by pulling the handles upwards or pushing them downwards.
3. Adjust to the height that you require.
4. Re-tighten the handwheels.

#### Adjusting the height of the push bar



1. Loosen the hand wheels ②.
2. Adjust the handles to the required height position. There are two fixed positions available.
3. Re-tighten the hand wheels.

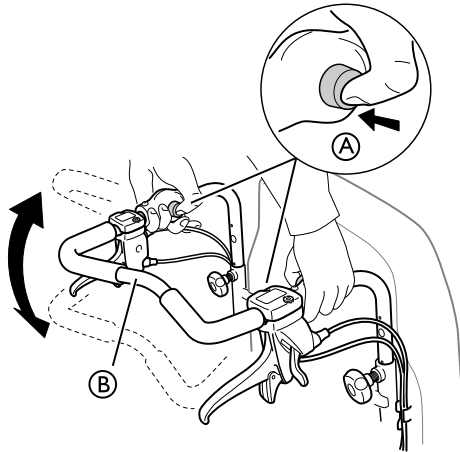


#### WARNING!


##### Risk of injury

- The push bar can loosen from the attachments
- Make sure that the marking ② on the tubes are fitted against the backrest tube.
  - Check that the handwheels can be tightened properly, the screw of the handwheel should barely be visible. If the push bar is in the wrong position, the handwheel will not be possible to tighten properly.

#### 4.4.2 Adjusting the angle of the push bar



1. Press the buttons A.
2. Adjust the push bar B to the preferred angle.
3. Release the buttons A.

 Move the push bar slightly in order for the buttons to lock into position.



**WARNING!**  
**Risk of imbalance**

– Do not hang anything on the push bar, this could cause imbalance.

#### 4.5 Carer-operated angle adjustment

The wheelchair is equipped with carer-operated controls. You can adjust the angle of the backrest forwards or backwards and tilt the whole seat unit including the backrest. These two functions can either be controlled manually or electrically.



**WARNING!**  
**Risk of fatal injury**

Increased blood pressure against the upper part of the body.  
– All combinations of settings (like opened knee angle + full tilt and recline) where the lower extremity's are positioned higher than the heart, have to be evaluated from a medical point of view. The position can be contra indicated for users who are sensitive for increased blood pressure in the upper part of the body.



**WARNING!**  
**Risk of choking/breathing problems**

The user might choke from eating or drinking when seated in a tilted/reclined position  
– The user must be seated in a raised position before eating or drinking



**WARNING!**  
**Risk of injury**

User may slide out of the wheelchair in a tilted/reclined position  
– Never leave the user at a flat or negative tilt angle without supervision. Use the pelvic belt for positioning.

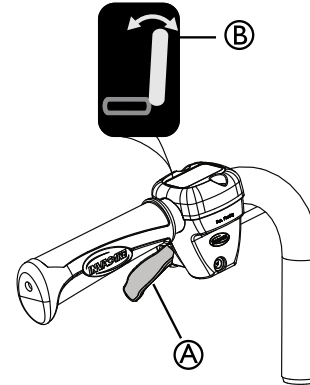


**WARNING!**  
**Risk of minor injury**

Risk of trapping fingers  
– Be careful when adjusting the angle of the backrest so that the assistant or user do not trap fingers between the backrest and the armrest.

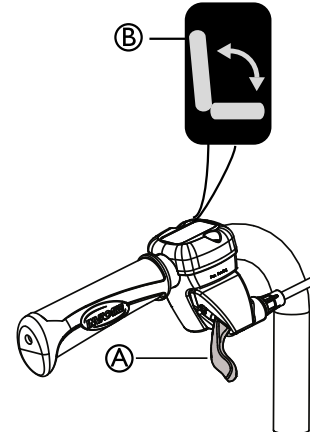
#### 4.6 Manual tilt and backrest angle adjustment

##### 4.6.1 Adjusting the backrest angle



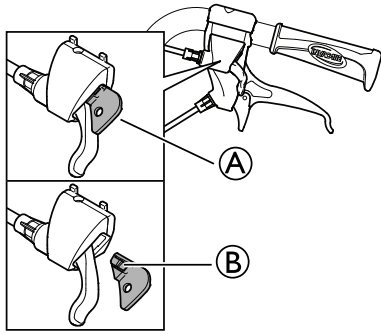
1. Use the **yellow** lever A marked with the **yellow symbol** B on the **left** hand side to angle the backrest.
2. Press upwards while you angle the backrest to the desired position.
3. Release the lever.

##### 4.6.2 Carer-operated tilt adjustment



1. Use the **green** lever A with the **green symbol** B on the **right** hand side to tilt the seat unit (seat and backrest).
2. Press upwards while you tilt the seat unit to the desired position.
3. Release the lever.

### 4.6.3 Locking the tilt and/or backrest angle adjustment



The locking device (A) allows you to set the tilting of the seat unit and/or the angling of the backrest to a fixed position.

1. Tilt and/or angle the seat and backrest to the desired position.
2. Insert the locking device (A).

The position is now set and cannot be changed.

To remove the locking device, press on the plastic peg (B) with a small object and pull outwards.

### 4.7 Electric tilt and backrest angle adjustment



**WARNING!**  
**Risk of injury**

If the wheelchair is used by confused or restless users or users with spasms:  
 – either lock the hand control functions  
 – or make sure that the hand control is out of reach for the user.



**WARNING!**  
**Risk of injury**

When tilting the wheelchair, parts of the body can be squeezed between the armrest base and the rearwheel.  
 – Make sure that the distance between the armrest base and the rearwheel is always 25 mm or more.



**CAUTION!**  
**Risk of damage to the product**

– Make sure that the hand control is not unintentionally activated.  
 – Do not let children play with the hand control.  
 – If anything unusual is observed, such as unusual sounds or uneven running during operation, shut down the system.



**Risk of malfunction**

– Work on the handset or other electric parts (motors etc.) should only be carried out by properly trained personnel.

When activating the On/Off button, a short “beep” confirms that the hand control is activated. The hand control is active

in 30 seconds after the last action, before it is automatically deactivated.



The hand control can also be manually deactivated by pressing the On/Off button.



The force needed to press the buttons on the hand control is 5 Nm (finger power).

#### 4.7.1 Symbols on the hand control



Battery and charging indicator



Locking function



On/Off



Backrest recline (yellow color on arrow and backrest)

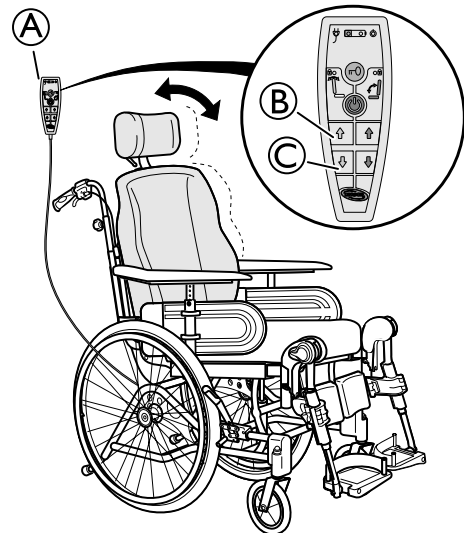


Seat tilt (green color on arrow, backrest and seat)



Up/Down (yellow color for the backrest recline, green color for the seat tilt)

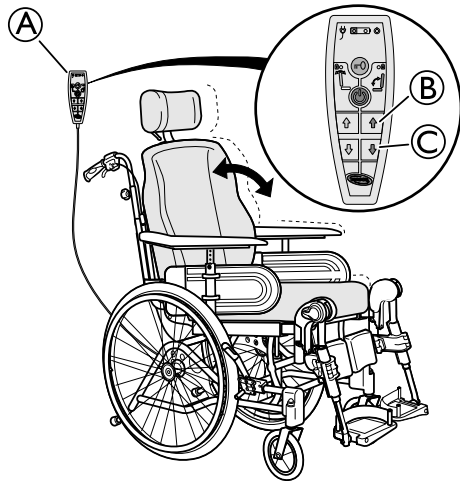
#### 4.7.2 Backrest angle adjustment



Adjust the angle of the backrest by using the yellow buttons on the left side of the hand control (A).

1. Press button (B) to adjust the angle of the backrest forwards (up).
2. Press button (C) to adjust the angle backwards (down).

### 4.7.3 Tilt adjustment seat



Tilt the seat unit (seat and backrest) by using the green buttons on the left side of the hand control (A).

1. Press button (B) to adjust the angle of the seat unit forwards (up).
2. Press button (C) to adjust the angle of the seat unit backwards (down).



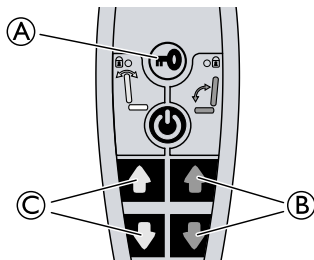
#### CAUTION!

#### Risk of trapping fingers

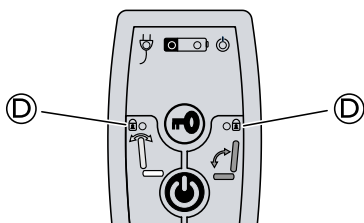
Could result in minor injuries.

- The risk of trapping fingers, etc., is greater in electric adjustments than in user-operated adjustments.
- Bear in mind, for example, that a child may get hold of the control box, press the controls and get trapped, or trap the user.
- The hand control should only be used by authorised personnel.

### 4.7.4 Locking of recline and tilt function



1. Press on the locking key (A).
2. Keep pressing on the locking key.
3. Simultaneously press on the chosen function (B) for the seat tilt (green) or (C) for the backrest angle (yellow).
4. Repeat the procedure to unlock the function.



When a function is locked, the yellow indication lamp (D) shines.

### 4.7.5 Charging the battery



#### WARNING!

#### Risk of electrical shock

- The user must not sit in the wheelchair whilst charging the battery.



#### Damage to the battery

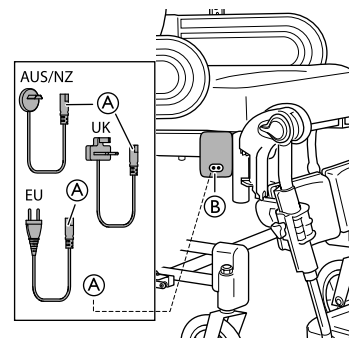
- The battery must be charged 24 hours before using the system the first time.
- Unplug the mains cable after charging before using the wheelchair.



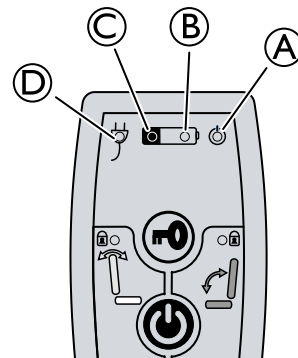
The battery charger has different charging cables in order to adapt to different local electrical standards.



When the battery level is low (20 V), the hand control beeps when it is used.



1. Connect the charger cable supplied with the chair into a wall socket.
2. Insert the charger cable (A) into the connector (B) which is on the side of the wheelchair.
3. Unplug the cable when the battery is fully charged.



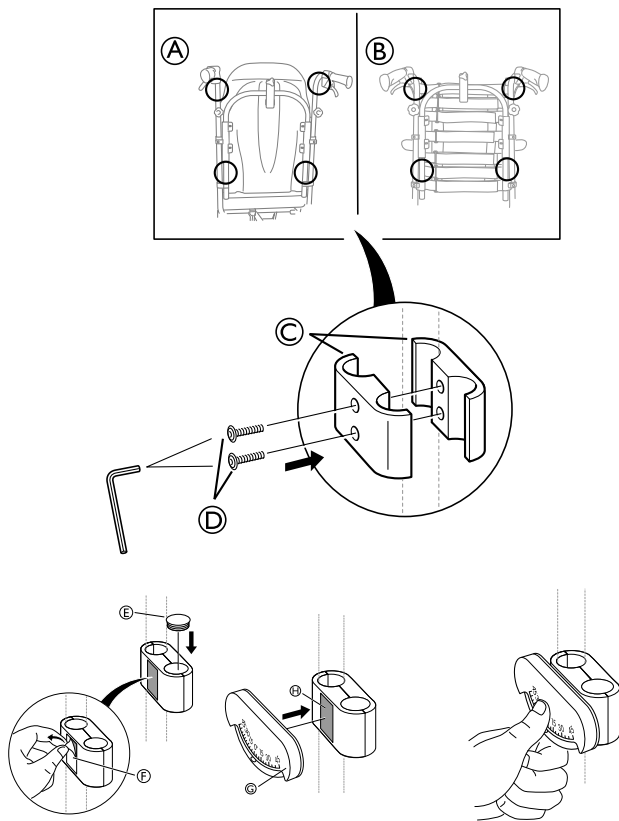
- (A) Green light — ON — Hand control is activated
- (B)
  - Green light — ON — Battery level is above 20%
  - Green light blinking — ON — Battery is charging (fixed light when the battery is fully loaded)
- (C)
  - Yellow light — ON — Battery level is low, below 20%
  - Yellow light — OFF — Battery is fully loaded
- (D) Green light — ON — Battery cable is connected (lights up about 5 seconds after connecting the cable)

### 4.8 Tilt scale

The tilt scale makes it visible how many degrees the seat unit and/or the backrest is tilted.



### 4.8.1 Tilt scale backrest



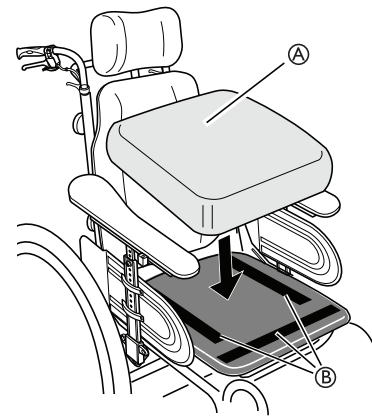
1. Place the tilt scale for the backrest angle **G** on the push bar/push handle or on the backrest tubes according to picture **A** or **B** above.
2. Attach the clamps **C** to the push bar/push handles or the backrest tubes and tighten the screws **D**.
3. Place the end plug **E** in the empty hole and remove the protection cover **F** from the pre-glued pad **H**.
4. Attach the tilt scale **G** to the pre-glued pad **H** on the attachment clamps **C**.

### 4.8.2 Tilt scale seat



The tilt scale for the seat angle, is placed on the armrest according to the pictures above.

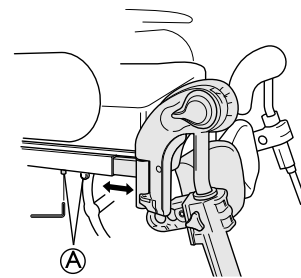
## 4.9 Seat adjustments



The seat depth of the chair can easily be adjusted to provide good support. The width between the legrests and armrests and the height of the armrests can also be adjusted.

**i** The seat cushion **A** is secured with Velcro® strips **B** on the seat plate.

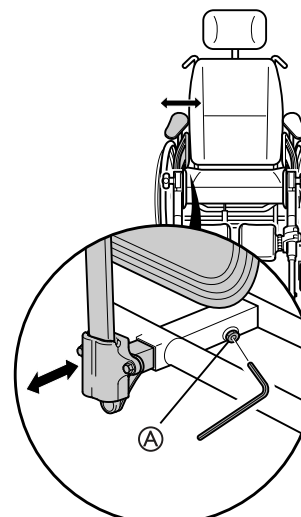
### 4.9.1 Adjusting the seat depth




1. Remove the seat cushion.
2. Loosen the screws **A** with an Allen key.
3. Move the front edge of the seat forwards or backwards.
4. Re-tighten the screws **A**.
5. Put the seat cushion back.

**i** The distance between the back of the knee/calf and the cushion should be as small as possible, but without contact.

### 4.9.2 Width adjustment seat



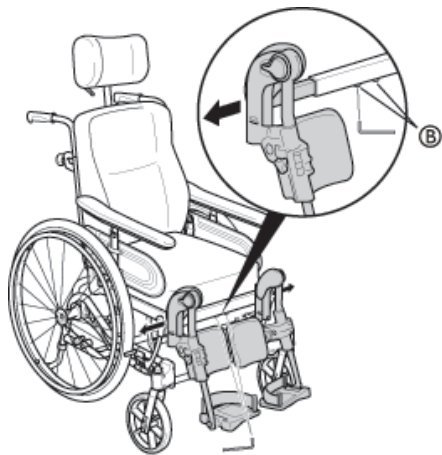
1. Loosen the screw **A** with an Allen key.

 Tools: 5 mm Allen Key


2. Adjust the armrests to the desired width.
3. Re-tighten the screw **A**.

**!** **Risk of poor adjustment**  
– There must not be any pressure on the armrest / legrest while adjusting the screw.

#### Width adjustment legrest



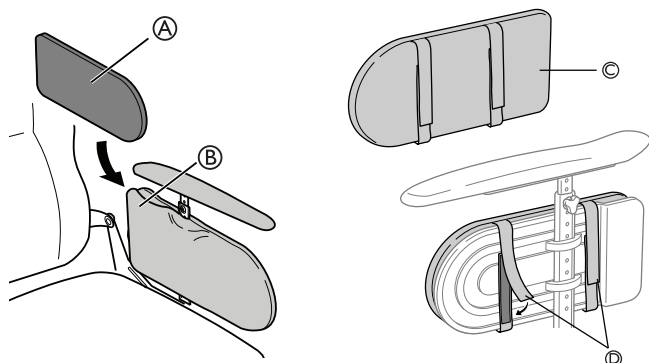
1. Loosen the screws **B**.


 Tools: 5 mm Allen Key

2. Adjust the legrests to the desired width.
3. Re-tighten the screws.

#### Side rest pad

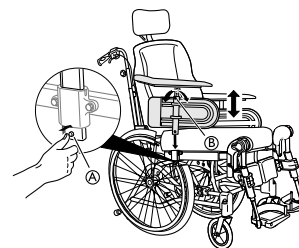
There are two different side rest pads available, one side rest cushion which is placed in the armrest pocket and one side rest pad which is placed directly on the side rest.



 The seat width can be decreased with 2x20 mm either by placing side rest cushions **A** inside the armrest pocket **B** or by using the side rest pad **C** + **D**.

## 4.10 Armrest adjustments

### 4.10.1 Armrest height



1. Adjust the height of the armrests by turning the screw or the handwheel **B** depending on which type of armrest you have chosen.
2. Set the required height.
3. Re-tighten the screw / handwheel.



#### **CAUTION!**

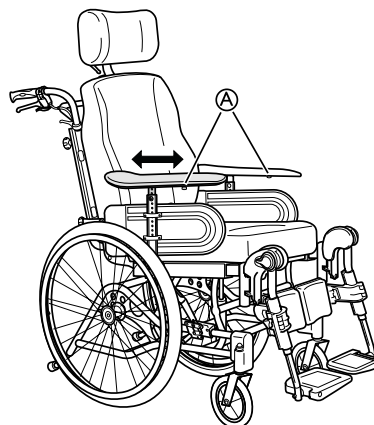
#### **Risk of trapping fingers**

– Be careful not to trap your fingers between the arm pad and the side support when you adjust the armrest height.



The armrests have an auto-lock to prevent involuntary movement or detachment. Press the button **A** on the armrest to release before removing or adjusting the armrest.

### 4.10.2 Armrest depth



1. Loosen the screw or the handwheel **A**, depending on which type of armrest you have chosen
2. Set the pad in the required position.
3. Re-tighten the screw / handwheel.



#### **Risk of poor adjustment**

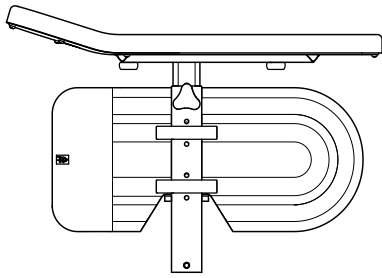
– There must not be any pressure on the armrest while adjusting the screw.

### 4.10.3 Armrest low

For Azalea and Azalea Max, we are also offering a lower armrest.



An experienced therapist must evaluate for which users this low armrest is suitable, especially if used in the lowest position.



**CAUTION!**  
**Risk of pinching**

– Be careful when mounting the armrest.

For adjustments see section: 4.10.1 Armrest height, page 18 and 4.10.2 Armrest depth, page 18

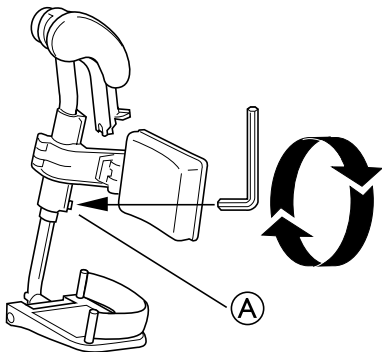
**4.11 Legrests**

*i* For users with longer legs, the legrest attachment can be mounted in high position. Contact your Invacare dealer for further information.

**4.11.1 Angle adjustable legrest**

Angle adjustable legrests support the legs and reduces pressure. The legrests must always be fitted with calf pads, foot plates and heel straps. It is important to adjust the height and angle of the legrests to obtain a good seating position.

**Adjusting the legrest height**



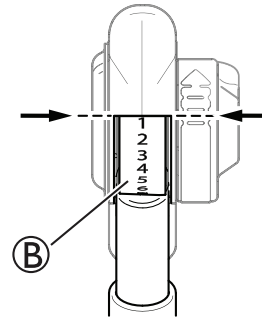
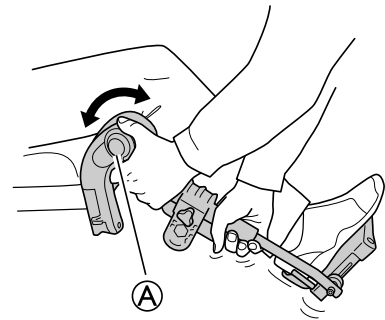
1. Loosen screw **A** with an allen key.  
*i* Tools: 5 mm allen key
2. Adjust the legrest to a suitable height and the screw is caught by one of the recesses on the legrest tube.
3. Re-tighten the screw with 8 Nm.

**Angle adjustment**



**WARNING!**  
**Risk of damage**

Damage on the mechanism  
– Do not place anything heavy, or let children sit on the legrest. It may cause damage to the mechanism.  
– Do not put any pressure on the legrest while the angle is being adjusted. The lever must be fully opened.

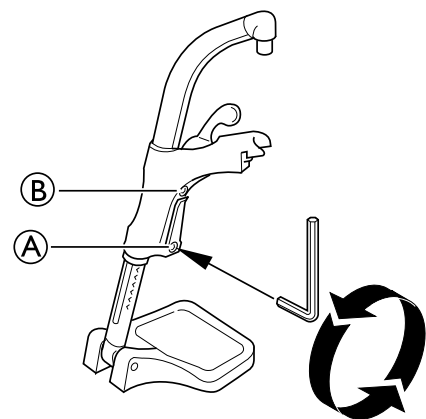


1. Pull the lever **A** with one hand while supporting the legrest with your other hand.
2. When a suitable angle is obtained, let go of the lever and the legrest will lock into one of seven preset positions **B**.

*i* For the Azalea Max four different positions are available, see section for legrests Azalea Max.  
*i* The distance between the lowest part of the footrest and the ground must be at least 40 mm.

**4.11.2 Fixed legrest**

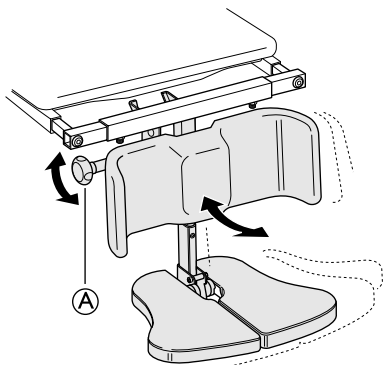
**Adjusting the legrest height**



1. Loosen screw **A** with an allen key.  
*i* Don't touch the upper screw **B**.
2. Adjust the legrest to a suitable height and the screw is caught by one of the recesses on the legrest tube.
3. Re-tighten the screw with 8 Nm.

*i* The distance between the lowest part of the footrest and the ground must be at least 40 mm.

### 4.11.3 Adjusting the angle of the central legrest



1. Loosen the adjustment knob (A).
2. Hold the foot plate with the other hand.
3. Adjust to the appropriate leg angle.
4. Re-tighten the knob.



**WARNING!**

**Risk of trapping fingers**

When adjusting the foot plate, the fingers might get trapped.

- Loosen the adjustment knob with one hand and hold the foot plate with the other hand to avoid trapping yours or anyone else's fingers.



**CAUTION!**

**Risk of damage**

The legrest might cause damage to the floor.  
 – When the seat is tilted forwards on a chair with a long legrest length and low seat height, there is a risk of the legrest hitting the floor and causing damage.



The adjustment should be done in accordance with the adjustment of the calf pads.



Higher adjustments (red-marked area) © are possible, but NOT recommended as the legrest might not be able to support the added weight.



**WARNING!**

**Risk of damage**

Damage on the mechanism

- Do not place anything heavy, or let children sit on the legrest. It may cause damage to the mechanism.
- Do not put any pressure on the legrest while the angle is being adjusted. The lever must be fully opened.



The distance between the lowest part of the footrest and the ground must be at least 40 mm.

### 4.12 Amputee legrest



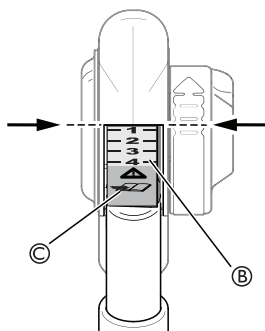
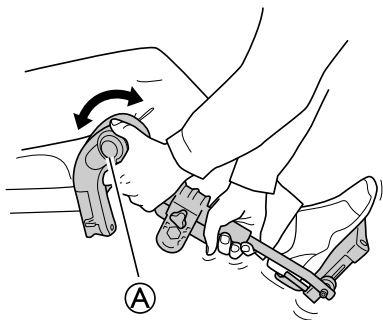
**WARNING!**

**Risk of tipping**

There is an increased risk of tipping for amputated users.

- Use anti-tippers and/or re-balance the wheelchair when amputee legrests are used.

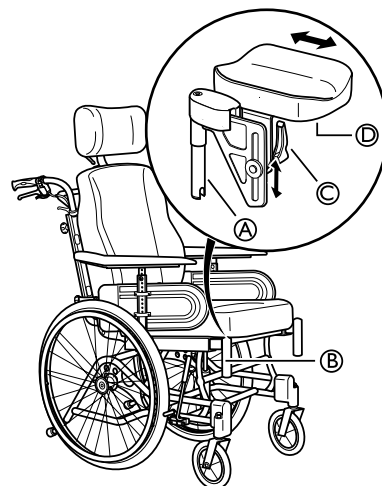
### 4.11.4 Legrest Azalea Max



1. Pull the lever (A) with one hand while supporting the legrest with your other hand.
2. When a suitable angle is obtained, let go of the lever and the legrest will lock into one of the preset positions (B).



For the Azalea Max four different positions are available.



1. Attach the legrests by pushing the tube at the upper part of the legrests (A) down into the tubes on the wheelchair (B).
2. Lock the legrests by turning them inwards.
3. Slacken lever (C), on the cushion's mounting, in order to adjust the cushion's angle and height.
4. Slacken screws (D) under the cushion, in order to adjust the cushion depth.

### 4.12.2 Amputee legrest — Azalea Max



**WARNING!**

**Risk of falling**

Increased tip risk forward

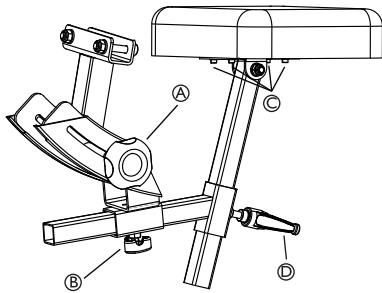
- The user must never sit on the amputee pad.



**CAUTION!**

**Risk of pinching**

– There must not be any pressure on the amputee support when adjusting the settings.



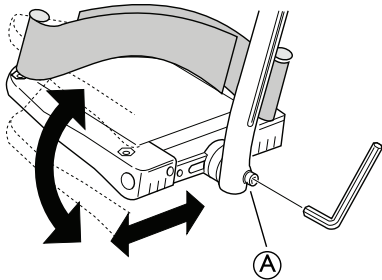
**i** The amputee legrest for Azalea Max are adjustable in angle, depth, sideways and in height.

1. Loosen the handwheel **A** and adjust to the required angle.
2. Re-tighten the handwheel.
3. Loosen the handwheel **B** and adjust the calf pad to the required depth.
4. Re-tighten the handwheel.
5. Loosen the screws **C** and adjust the calf pad sideways.
  - i** Do not forget to tighten the screws and the handles properly.
6. Loosen the handle **D** and adjust the amputee legrest in height.
7. Re-tighten the handle.

**4.13 Foot plates — footrest**

**4.13.1 Adjusting the angle adjustable foot plates**

The foot plates can be adjusted both in depth and angle, and can also be folded-up.



1. Adjust the angle and the depth by loosening the screw **A** at the foot plate attachment.
  - i** Tools: 5 mm Allen key
2. Adjust the foot plate to the correct position.
3. Re-tighten the screw with 10 Nm.

**i** Do not place anything on the foot plate when the screw is loose.

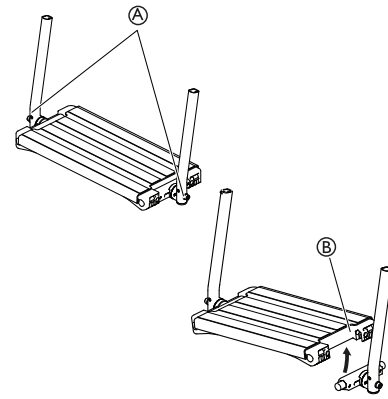
**4.13.2 Adjusting the one-piece footrest**



**WARNING!**

**Risk of trapping fingers**

The fingers might get trapped between the foot plate and the foot plate attachment.  
 – Be careful not to trap your fingers between the foot plate and the foot plate attachment when folding it down.



1. Adjust the angle and the depth by loosening the two screws **A** at the foot plate attachment.

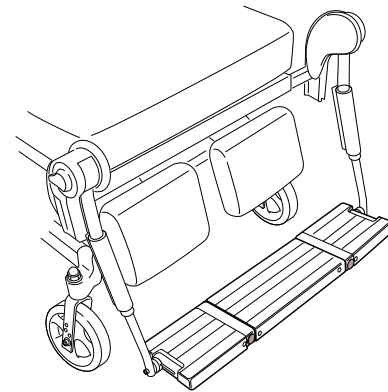
**i** Tool: 5 mm allen key

2. Adjust the foot plate to the correct position.
3. Re-tighten the screws with 10 Nm.

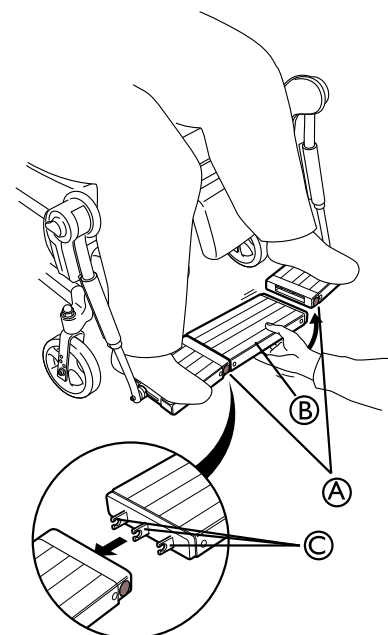
**i** The foot plate can be flipped up. Lift the foot plate **B** upwards as shown on the picture above.

**i** Do not place anything on the foot plate when the screws are loose.

**4.13.3 Footboard converter — Azalea Max**

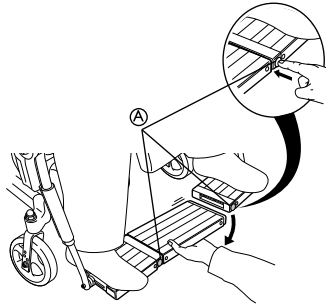


The footboard converter is a sturdy construction that is easily disassembled to allow for transfers into and out of the wheelchair.



1. The middle part of the footboard converter **ⓑ** is installed by inserting the fasteners **ⓒ** into one of the foot plates and then on the other side.
2. Make sure that the part is turned the right way. If not, it will fall out.

**i** The release buttons **Ⓐ** should pop out when the middle part is installed correctly.



1. To remove the middle part, press the release buttons **Ⓐ**. First on one side and then on the other.
2. Make sure that the feet are placed as far out as possible.



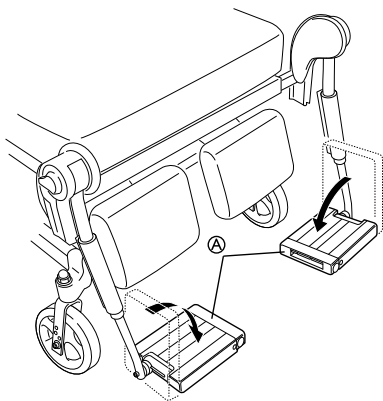
**CAUTION!**  
**Risk of pinching**

When adjusting the footboard there is a risk of pinching your fingers.  
– Make sure that no pressure is on footboard when it is being adjusted.

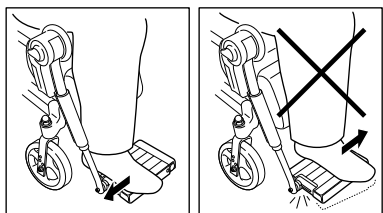


**CAUTION!**  
**Risk of breakage**

The footboard is not designed for lifting the chair.  
– Do not take hold on the footboard if you need to lift the chair.



**i** The foot plates can be flipped up to further facilitate transfers.

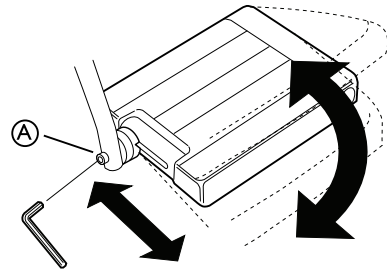


**WARNING!**  
**Risk of breakage**

The pressure on the foot plates might cause the footboard to break.  
– Make sure that the feet are placed as far out as possible before the middle part is installed or removed.

**Angle adjustment footboard converter**

**i** In order to adjust the depth and angle of the footboard converter, remove the middle section of the footboard. See 4.13.3 Footboard converter – Azalea Max, page 21



1. Adjust the angle and the depth by loosening the screw **Ⓐ** at the foot plate attachment.

**i** Tools: 5 mm Allen key

2. Adjust the foot plate to the correct position.
3. Re-tighten the screw.

**i** Do not place anything on the foot plate when the screw is loose.

**4.14 Tires**

The ideal pressure depends on the tire type:

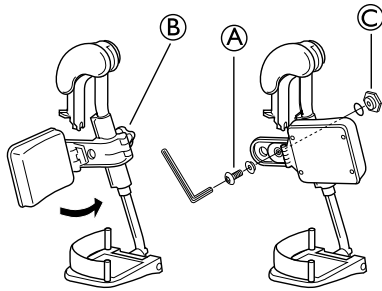
The table below is an indication. In case the tire differs from the list below, check the side of the tire, the maximum pressure is listed there.

Tire	Max. pressure	
Pneumatic 24 x 1 3/8 x 1 1/4	4,5 bar	65 psi
Pneumatic 24 x 1 3/8	4,5 bar	65 psi
Pneumatic low profile	7,5 bar	110 psi
Low profile PKT (24x1)	—	—
Pneumatic block pattern puncture proof	—	—
Solid	—	—

**i** The compatibility of the tires listed above depends on the configuration and/or model of your wheelchair.

**i** In case of a tire puncture consult a suitable workshop (e.g. bike repair shop, bicycle dealer ...) to have the tube replaced by a skilled person.

## 4.15 Calf pads adjustment



The calf pads can be fitted in two different depth positions:

1. Swing the pad forwards.
2. Unscrew screw (A).



Tools: 5 mm Allen key

3. Remove the large nut (C) on the reverse side and place it in the second attachment hole.
4. Move the calf pad to the new position.
5. Secure it into place with the screw (A) with 10 Nm.



The height of the calf pads can easily be adjusted by using the handwheel (B).

## 4.16 Calf pads — Azalea Max

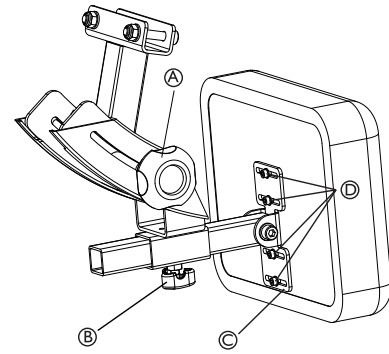


### CAUTION!

#### Risk of pinching

When adjusting the calf support there is a risk of pinching your fingers.

- Make sure that no pressure is on the calf support when the handwheels are loosened.



The calf pads for the Azalea Max are adjustable in angle, depth and sideways.

### Angle adjustment:

1. Loosen the handwheel (A).
2. Adjust the calf pad to the required angle.
3. Re-tighten the handwheel.

### Depth adjustment:

1. Loosen the handwheel (B).
2. Adjust the calf pad to the required depth.



The adjustment should be done in accordance with the adjustment of the legrest.

3. Re-tighten the handwheel.

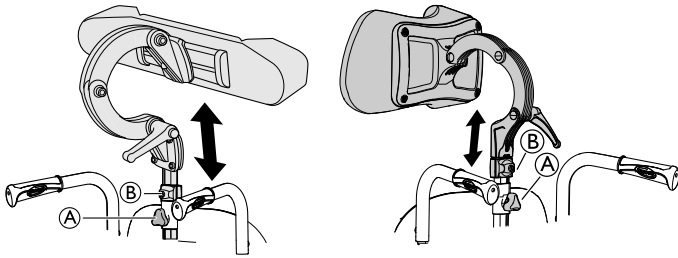
### Sideways adjustment:

1. Loosen the screws (D) on the sideways adjustment plate (C).
2. Adjust the calf pad sideways.
3. Re-tighten the screws properly.

## 5 Accessories

### 5.1 Headrest / Neckrest

#### 5.1.1 Height adjustment

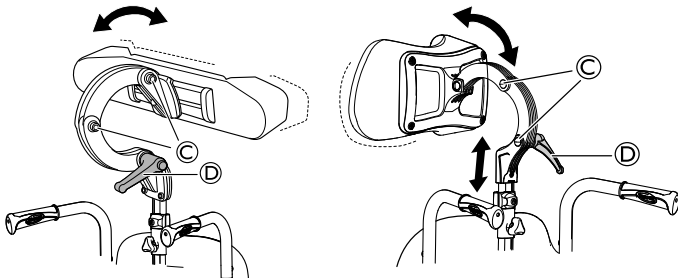


**i** The height and the removal are operated by the handwheel. The bar is equipped with an adjustable stop block.

1. Loosen the screw in the stop block (B).
2. Loosen the handwheel (A).
3. Adjust the head rest to the desired position.
4. Re-tighten the handwheel (A).
5. Slide the stop block (B) down to the top of the headrest attachment.
6. Re-tighten the screw.

**i** It is now possible to remove the headrest and reinsert it in the desired position without further adjustments.

#### 5.1.2 Depth / angle adjustment



1. Loosen the handle (D).
2. Loosen the screws (C).
3. Adjust the depth and angle of the headrest.
4. Re-tighten the handle and the screws.

### 5.2 Table tray



#### WARNING!

##### Risk of falling / injury

– The table must never be used as a replacement for the pelvic belt.



#### WARNING!

##### Risk of tipping / injury

– Max load on the table: 8 kg



#### CAUTION!

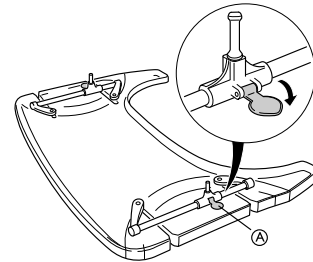
##### Risk of discomfort / minor bruises

– Make sure that the elbows of the user are placed on the table when pushing the wheelchair. If the elbows protrude from the table while pushing the wheelchair, there is a risk of discomfort or minor bruises.

The table tray can be adjusted both in depth and width, the following sections will show the different possibilities.

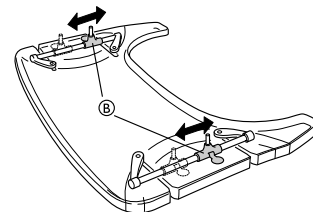
#### 5.2.1 Adjusting the depth of the table tray

1.



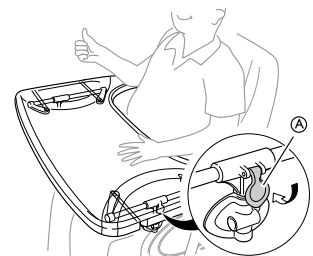
Open the safety lock for the depth adjustment (A).

2.



Adjust the table holders (B) forwards or backwards to adjust to the required depth.

3.



Close the table lock (A) again in order to lock the depth position.

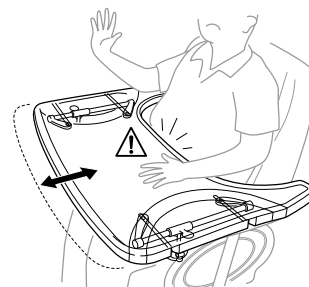


#### CAUTION!

##### Risk of discomfort / insecurity

The table is not in a fixed position.

– Make sure to engage the table lock again after adjusting the depth of the table.





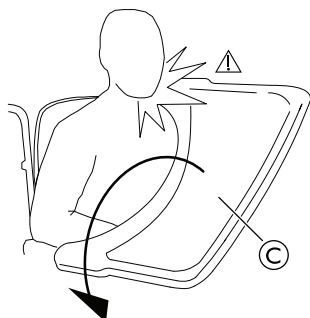


**CAUTION!**

**Risk of discomfort**

– When adjusting the depth of the table, make sure not to squeeze the stomach of the user.

**5.2.2 Swing away table**



**WARNING!**

**Risk of injury / bruises**

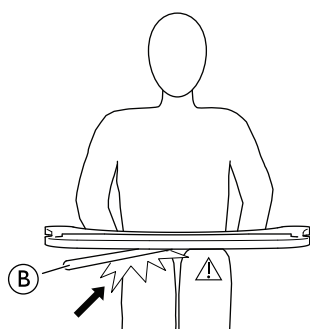
– Take care not to hit the user whilst swinging the table.



**WARNING!**

**Risk of table tipping forwards**

– Do not adjust the depth of the table too much forwards due to the risk of tipping the table when adding weight on it.

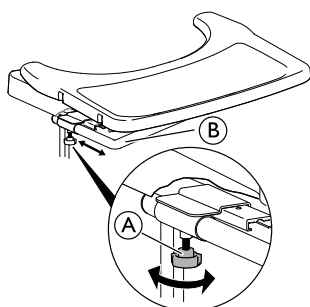


**CAUTION!**

**Risk of discomfort / minor bruises**

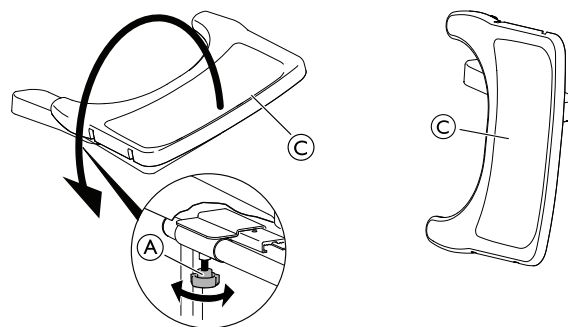
– Make sure that the user has enough space for the legs. The table tube must not rest on the legs of the user.

**Depth adjustment**



1. Loosen the handwheel (A).
2. Adjust the table in depth with the table tube (B).
3. Re-tighten the handwheel (A).

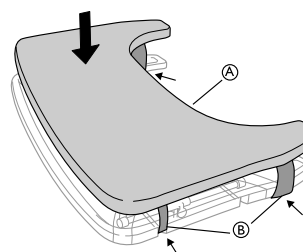
**Swing away function**



1. Loosen the handwheel (A).
2. Swing the table tray (C) sideways.
3. Re-tighten the handwheel (A).

**5.3 Add a table tray cushion**

A cushion for the table tray can be placed on the table tray in order to have a softer surface for the arms and elbows.

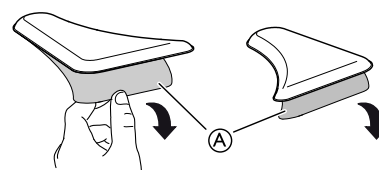


Place the cushion for the table tray (A) on the table and place the attachment straps (B) around the table.

**5.4 Add elbow cushions**

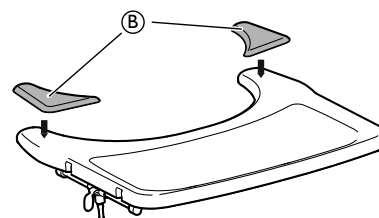
The table tray can be equipped with cushions for the elbows, in order to have a softer surface for the elbows.

1.



Remove the protection paper (A) from the elbow pads.

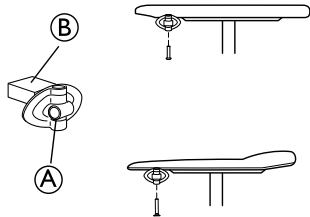
2.



Place the elbow pads (B) on the table.

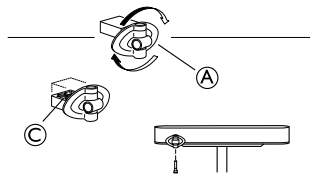
## 5.5 Mounting the attachment for table tray

1.



Mount the table attachment **A** with the attachment part facing outwards. The plain surface **B** of the attachment should be placed upwards when using the table on the thin armrests.

2.



To fit the table attachment **A** to the wide armrest, turn the attachment around, the patterned surface **C** should now be facing upwards.

## 5.6 Half tray



### WARNING!

#### Risk of falling / injury

- The half tray must never be used as a replacement for the posture belt.



### WARNING!

#### Risk of tipping / injury

- Max load on the tip of the widest part of the half tray: 1.5 kg



### CAUTION!

#### Risk of discomfort / minor bruises

- Make sure that the elbow of the user is placed on the half tray when propelling the wheelchair. If the elbow protrudes from the wheelchair while propelling the wheelchair, there is a risk of discomfort or minor bruises.



### CAUTION!

#### Risk of pinching fingers

- There is a mechanism below the half tray where you could trap your fingers.
- Be careful when adjusting the tray or when using the swing-away function.



### CAUTION!

#### Risk of pinching or minor cuts

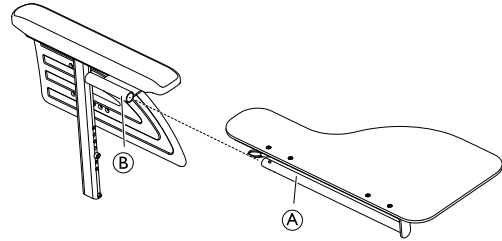
- Do not transfer from the wheelchair when the half tray is in horizontal position.



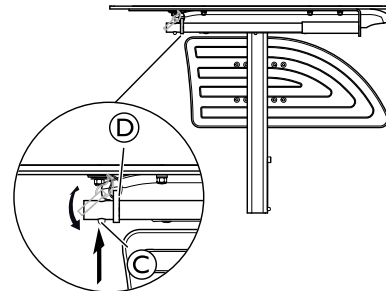
The half tray can be adjusted in width and swung away.

## 5.6.1 Mounting the half tray

### Mounting the half tray

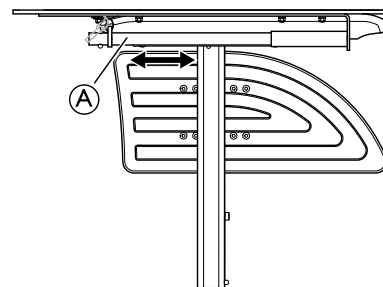


1. Insert the tube of the half tray **A** into the attachment **B** under the arm pad.



2. Push on the push pin **C** and insert the ring **D** on the tube **A**.
3. Release the push pin **C**.

### 5.6.2 Adjusting the half tray



1. Slide the half tray **A** forwards or backwards to adjust to the required depth.



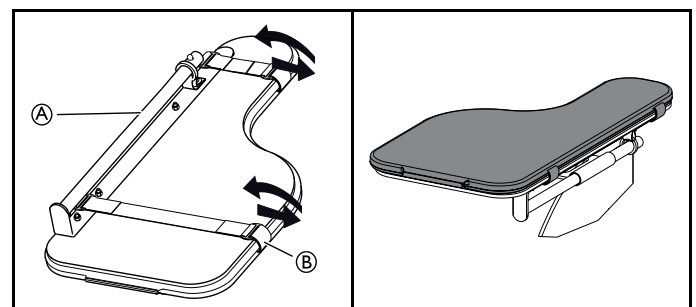
### CAUTION!

#### Risk of discomfort

- When adjusting the depth of the half tray, make sure not to squeeze the stomach of the user.

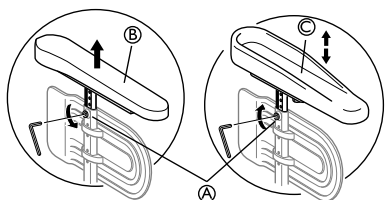
### 5.6.3 Add a half tray cushion

A cushion for the half tray can be placed on the half tray in order to have a softer surface for the arms and elbows.

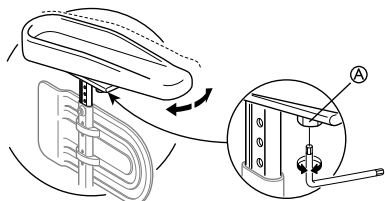


1. Place the cushion for the half tray **A** on the tray.
2. Place the attachment straps **B** into the plastic buckle and around the half tray **A**.

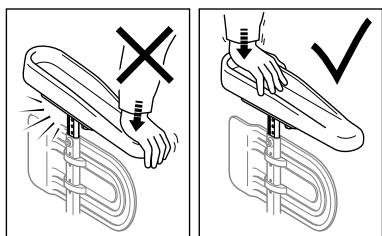
## 5.7 Hemiplegic armrest



1. Loosen the screw (A).
2. Remove the original armrest (B).
3. Mount the hemiplegic armrest (C) in the armrest pole.
4. Re-tighten the screw (A).



5. The hemiplegic armrest can be adjusted in angle. The resistance can be increased/decreased by adjusting the screw (A).



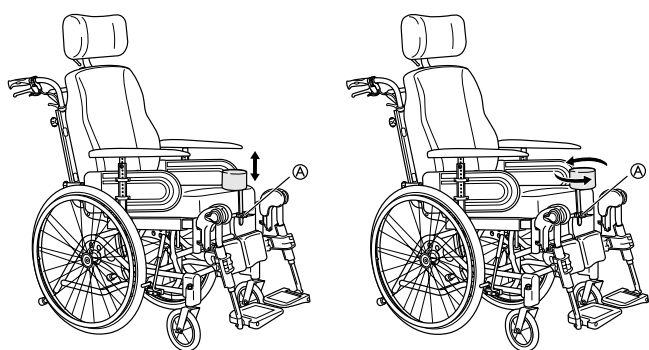
### WARNING!

#### Risk of damage

Damage on the armrest

- Do not put pressure on the front of the armrest, as this could cause damage on the armrest attachment.

## 5.8 Abduction cushion



1. The height adjustment and removal is operated by the handwheel (A).
2. The depth is adjusted in a forward or backward position. Loosen handwheel (A) and turn.

## 5.9 Trunk support

### 5.9.1 Trunk support with fixed arm

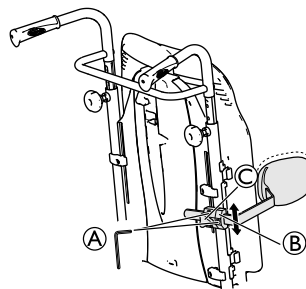
The trunk supports can be adjusted in height, depth and sideways.



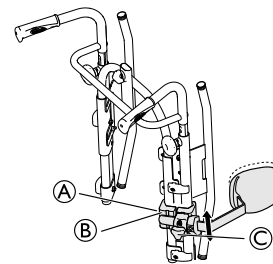
### WARNING!

#### Risk of trapping

- Be careful not to trap your arm between trunk support and armrest when changing the angle of the backrest.



Backrest plate



Adjustable backrest



Tools: 5 mm Allen key

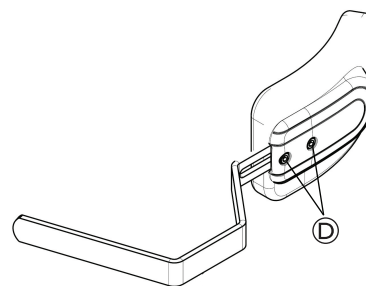
### Height adjustment

1. You adjust the height by first loosening the screw / screws (A).
2. Move the attachment (B) upwards or downwards.
3. Re-tighten the screw / screws.

### Sideways adjustment

1. Adjust the trunk supports sideways by loosening the knob (C).
2. Move the support sideways to the required position.
3. Re-tighten the knob (C).

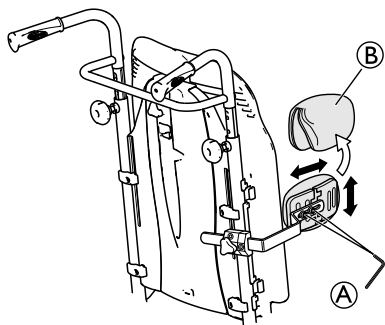
### Depth adjustment — fixed cushion



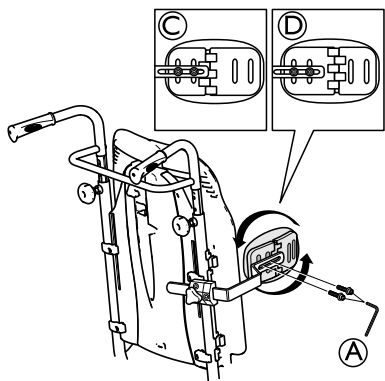
Tools: 5 mm Allen key

1. To adjust the depth of the trunk supports, loosen the screws (D) with an Allen key.
2. Move the trunk support forwards or backwards.
3. Re-tighten the screws.
4. Remove the trunk support by loosening knob (C) and pull the trunk support sideways and outwards.

### Depth adjustment — multi adjustable cushion

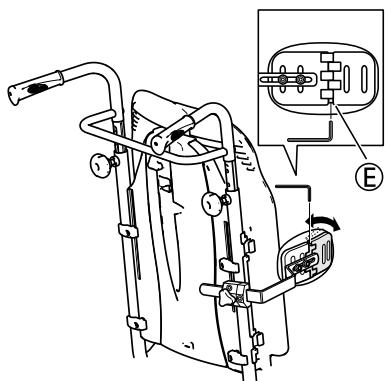


1. Remove the trunk support cover (B).
2. Loosen the screws (A) and adjust to the required height / depth.
3. Re-tighten the screws.



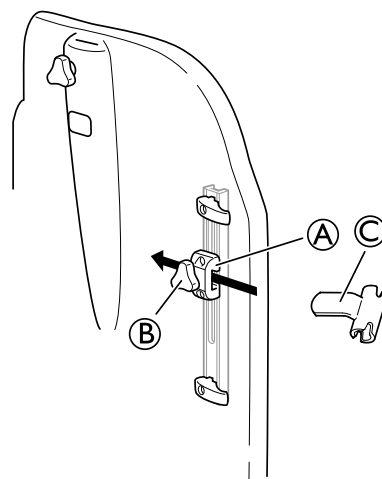
- (A) Screws height / depth adjustment
- (C) Attachment position for small side support / large trunk support
- (D) Attachment position for large side support / small trunk support

### Angle adjustment — multi adjustable cushion



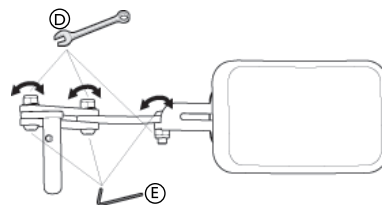
1. Loosen the screw (E).
2. Adjust the cushion to the required angle.
3. Re-tighten the screw.

### 5.9.2 Trunk support "swing-away"



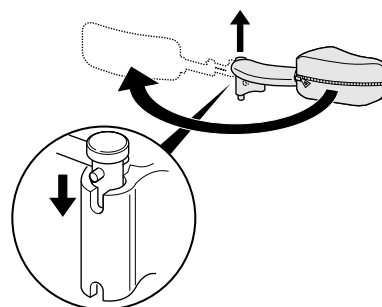
**i** The holder for the "swing-away" trunk support is placed in the attachment (A) on the backrest

1. Loosen the knob (B).
2. Place the trunk support holder (C).
3. Re-tighten the knob.



**i** Tools: 5 mm Allen key / 13 mm fixed spanner.

1. The angle can be adjusted by loosening the screws (E) and bolts (D) on the trunk support arm.
2. Hold with the Allen key and tighten with the fixed spanner.
3. Remember to re-tighten the screws and bolts when the required position is achieved.



**i** The "swing-away" trunk support can be turned sideways in order to be out of the way when the user is moving in to or out of the wheelchair.



**CAUTION!**

**Risk of pinching**

– The cover on the trunk support arm must always be on when the chair is in use.

## 5.10 Lateral positioning pads (for adjustable backrest cover only)



### WARNING!

#### Risk of trapping

- Be careful not to trap your trunk between the two lateral positioning pads during front or lateral transfers; when the user is moving in the wheelchair.



### CAUTION!

#### Risk of uncomfortable posture

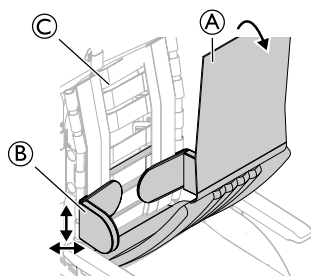
Insufficient space between the lateral positioning pads can be uncomfortable for certain users.

- This adjustment must be performed by a qualified technician upon agreement by a prescribing physician.
- Consult with your dealer.

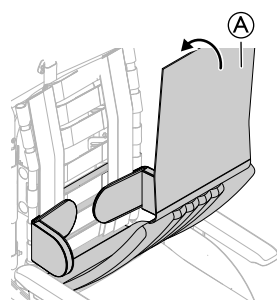


The lateral positioning pads can be adjusted in height and sideways.

### 5.10.1 Using lateral positioning pads

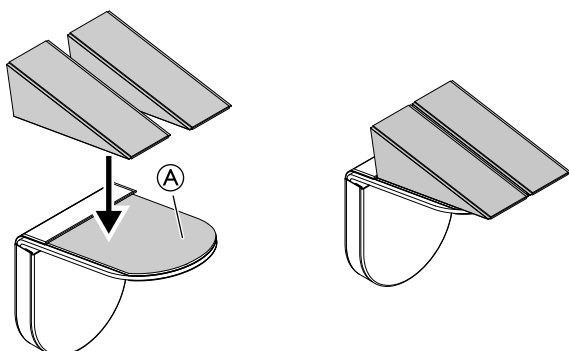


1. Remove the backrest cover (A).
2. Adjust the lateral positioning pads (B) in height and sideways to the required position with the Velcro® of the backrest cover (C).
3. Ensure that the two Velcro® surfaces (pads and back cover) are set correctly.



4. Put the backrest cover (A) back in place.

### 5.10.2 Using wedges with lateral positioning pad



1. Attach the wedges on the velcro® pad (A).
2. Assemble the lateral positioning pads on the backrest.

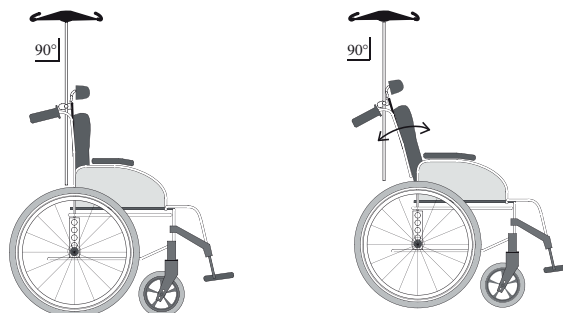


See section: "Using lateral positioning pads".

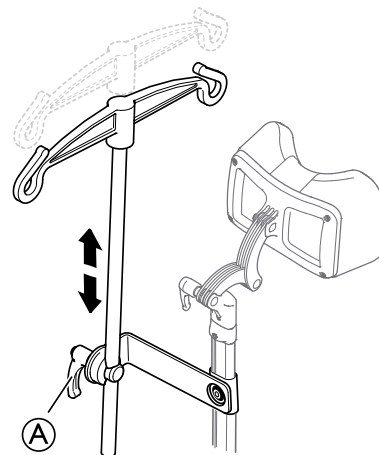
## 5.11 Adjusting the drip stand



The rod of the drip stand must always be placed in a vertical position, i.e in a 90 degree angle to the ground, no matter the position of the backrest or the wheelchair.

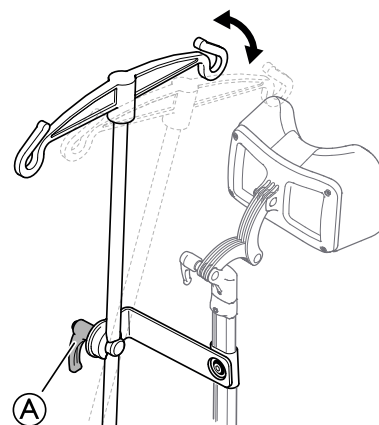


### Height



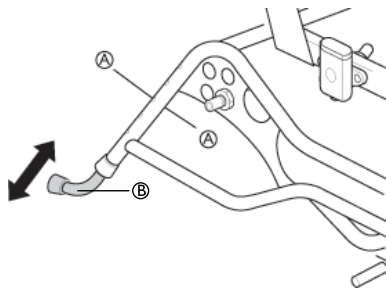
1. Loosen the lever (A).
2. Adjust the drip stand to the desired height.
3. Re-tighten the lever (A).

### Angle

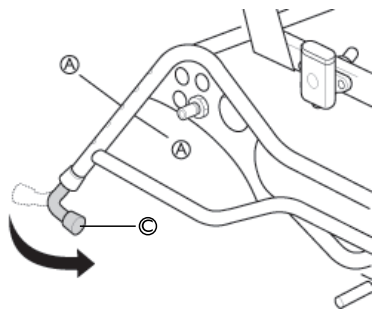


1. Loosen the lever (A).
2. Adjust to the desired angle.
3. Re-tighten the lever (A).

## 5.12 Anti-tip device




1. For active position ②, press the spring-loaded buttons ①.
2. Raise or lower the anti-tip device.
3. Ensure that the spring-loaded buttons ① pop out into place properly in their new position.



4. For transport position ③, fold the anti-tip device under the wheelchair by pressing the spring-loaded buttons ①.
5. Turn the anti-tip device to the required position.
6. Ensure that the buttons ① pop out again into position.

 Never forget to activate the anti-tip devices.

 The anti-tip device also acts as a step tube. It is height-adjustable and easy to adjust.

## 5.13 Azalea Base — seat attachment

There are four options how to attach a seat to the Azalea base:

- Directly on the seat brackets.
- On a seat plate.
- On a seat plate with a wedge.
- With the H-bracket.

Contact your Invacare dealer for more information.

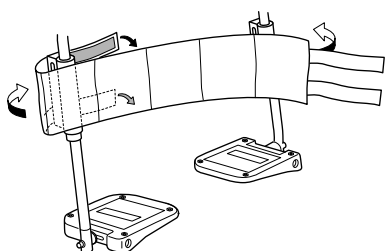


### CAUTION! Risk of damage


The one-piece moulded seat attachments might break.


- The back should not be reclined when the Azalea Base is equipped with one-piece moulded seat attachments.

## 5.14 Calf strap padded

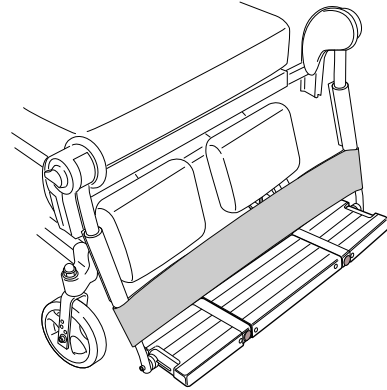


1. Mount the calf strap on the legrest.
2. Wrap the end parts around the legrest tube.
3. Fixate the velcro parts.

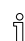
 Both legrests must be in the same angle in order to be able to use the calf strap in the correct way.

 The calf strap must not slacken too much in order to give the proper support for the user.

## 5.15 Heel strap — Azalea Max



1. Mount the heel strap above the foot plates.
2. Wrap the end parts around the legrest tube.
3. Fixate the velcro parts.

 The heel strap must not slacken too much in order to give the proper support for the user.

## 5.16 Brake extended — Azalea Max

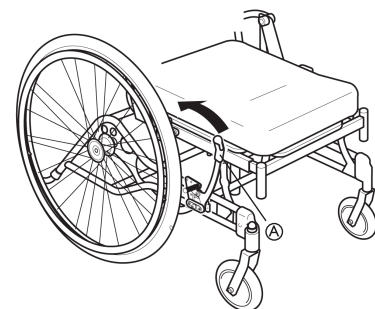


### CAUTION! Risk of disengaging the brake

- The extended brake handle is angled outwards. Be careful not to disengage the brake by mistake.

For Azalea Max, there is a possibility to order a brake with an extended brake handle.

For adjustments, see: 6.2.4 Using the user operated brake, page 37



① Brake lever

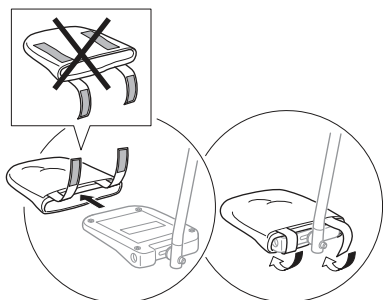
## 5.17 Cover for footrest / foot plate



### CAUTION! Risk of imbalance

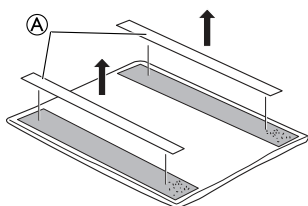
- The cover must be removed before the foot plate is fixed in a raised position.

### 5.17.1 Attaching a cover to the single foot plate

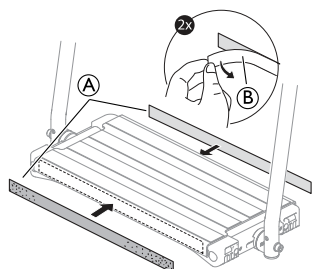


1. Thread the foot plate cover onto the foot plate.
2. Secure the velcro® straps to fasten the cover on the foot plate.

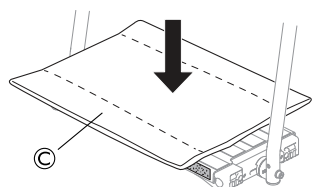
### 5.17.2 Attaching a cover to the one-piece footrest



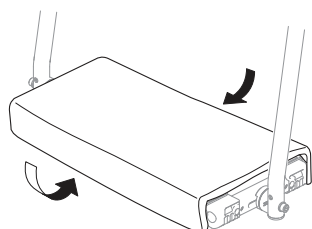
1. Detach the pre-glued velcro® straps (A) from the cover.



2. Remove the safety paper (B) from the pre-glued velcro® straps (A).
3. Attach the pre-glued parts of the velcro® straps (A) on the front- and rear side of the footrest.



4. Place the cover (C) on the one piece footrest.



5. Secure the cover by attaching the velcro® parts on the cover to the pre-glued velcro® parts on the front- and rear side of the footrest.

## 5.18 Foot box



### WARNING!

#### Risk of injury

– When using the foot box, the settings and adjustments of the accessory and the wheelchair, must always be performed by an authorized personnel or competent person with knowledge of seating and positioning.



### WARNING!

#### Risk of injury

The user might fall when getting in and out of the chair.

– When using the foot box, it is recommended to use a lifter.



### WARNING!

#### Risk of injury and/or damage to the product

– Hold the foot box to secure it before releasing the levers, otherwise it will fall down.

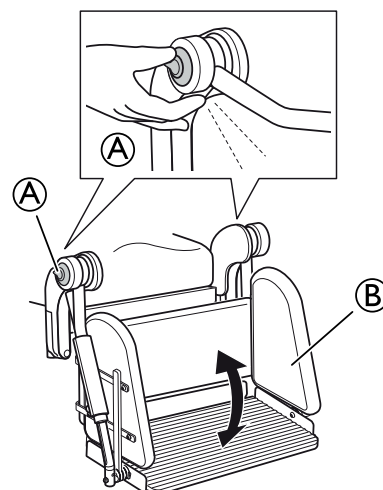


The foot box should not be removed from the wheelchair during use, unless it needs to be replaced.



The adjustment of the foot box must be carried out by two persons.

### Position adjustment

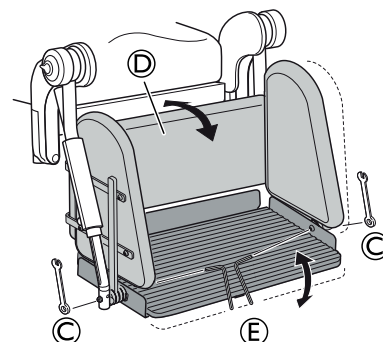



1. Press the release handles (A).
2. Adjust the position of the foot box (B).
3. Let go of the release handles (A).




Make sure that the foot box is locked in position.

### Angle adjustment



1. Loosen the nuts ③.
  2. Adjust the foot box ④ to the desired angle.
  3. Re-tighten the nuts ③.
-  Fixate the screw with the allen key ⑤ and loosen the nut with the spanner ③.

 10 mm fixed spanner + 4 mm allen key

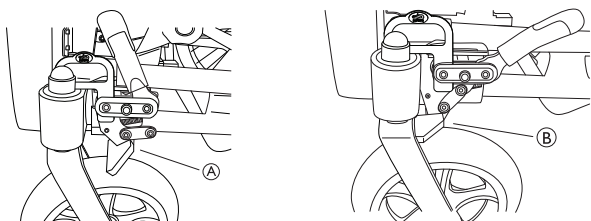
### 5.19 Directional lock



**WARNING!**

**Risk of injury**

The directional lock is not a brake.  
 – The directional lock must be used in combination with the standard brake.



① Directional lock disengaged

② Directional lock engaged

### 5.20 Posture belt

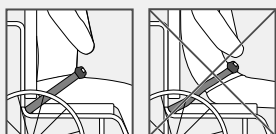
The wheelchair can be equipped with a posture belt. It prevents the user from sliding downward in the wheelchair or from falling out of the wheelchair. The posture belt is not a positioning device.



**WARNING!**

**Risk of serious injury / strangulation**

A loose belt can allow the user to slip down and create a risk of strangulation.  
 – The posture belt should be mounted by a qualified technician and fitted by the responsible prescriber.  
 – Always make sure that the posture belt is tightly fitted across the lower pelvis.  
 – Each time the posture belt is used, check if it fits properly. Changing the seat and/or backrest angle, the cushion and even your clothes influence the fit of the belt.

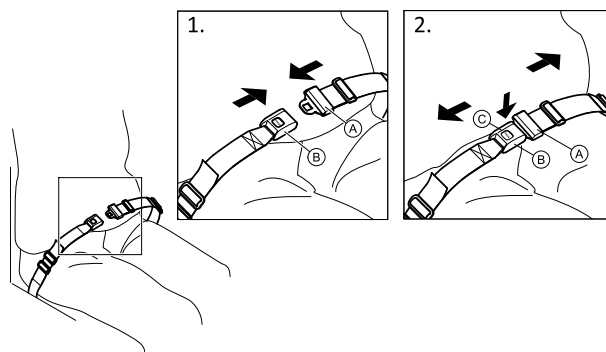


**WARNING!**

**Risk of serious injury during transport**

In a vehicle, a user in his wheelchair must be secured by a safety belt (3-point belt). A posture belt only is not sufficient as a personal restraint device.  
 – Use the posture belt as a complement, but not as a substitute to the 3-point safety belt, when transporting the wheelchair user in a vehicle.


### Closing and opening the posture belt

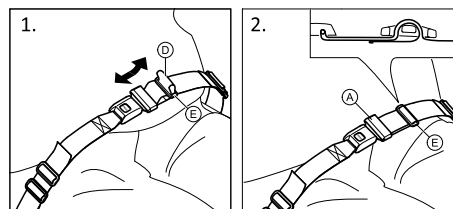


Ensure that you are sitting fully back in the seat and that the pelvis is as upright and symmetrical as possible.

1. To close, push the catch ① into the buckle clasp ②.
2. To open, push the PRESS button ③ and pull the catch ① out of the buckle clasp ②.

### Adjusting the length

 The posture belt has the good length, when there's just sufficient space for a flat hand between body and belt.



1. Shorten or extend the loop ④ as required.
2. Thread loop ④ through catch ① and plastic buckle ② until the loop is flat.

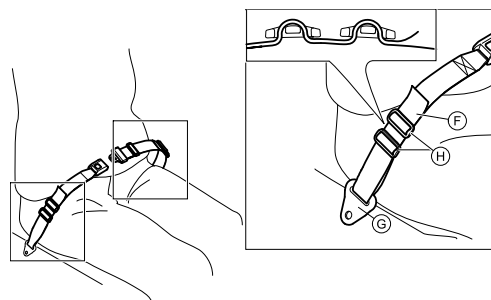
If this adjustment is not sufficient, it might be required to re-fit the posture belt at the fixations.

### Fitting the posture belt at the fixations



**CAUTION!**

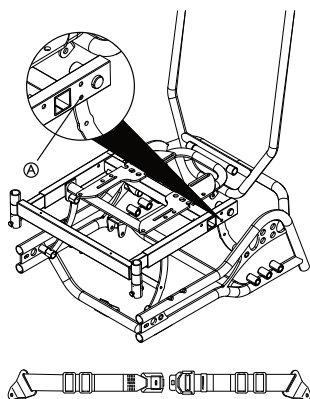
- Thread the belt loop through both plastic buckles to avoid the belt from loosening.
- Do the adjustments on both sides equally, so that the buckle clasp remains in a central position.
- Make sure that the belts do not get caught in the spokes of a rear wheel.



1. Thread the loop ⑥ through the fixation on the chair ③ and then through BOTH plastic buckles ④.

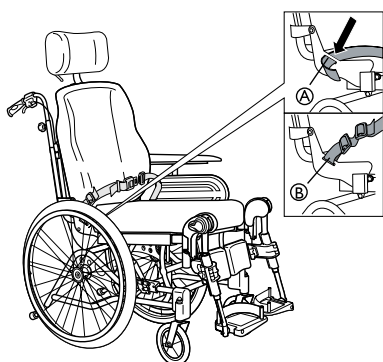


### 5.20.1 Posture belt — Azalea Base



Fasten the posture belt on the frame with a screw and nut as per the illustration above (A).

### 5.20.2 Posture belt — Azalea general



The posture belt (B) is mounted on the backrest brackets (A).

**i** The posture belt for the Azalea Max is considerably longer than the other versions and they are not interchangeable.

### 5.21 Attachment when using posture belt for positioning



#### **CAUTION!** Risk of sliding

- The posture belt must be placed tight to the body.
- Our wheelchairs must always be used with a seat cushion. If the length of the posture belt has been adjusted to fit one type of seat cushion height, it is important that this cushion is used. If the seat cushion is replaced, the length of the belt needs to be adjusted.
- The seat must be positioned flat or tilted backwards if the user is left alone unattended.



Posture belts which are CE-marked for the purpose of using on wheelchairs, can be mounted on the chair with preserved CE-marking. The posture belt should be fitted by the responsible prescriber and be mounted by an experienced technician. However, when transporting the wheelchair in a vehicle, Invacare's original posture belt must be used as a complement to the safety belt in the vehicle!

See chapter: "Transporting wheelchairs with users in vehicles"

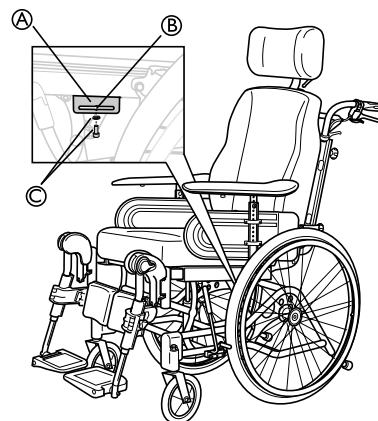


The purpose of using a posture belt for positioning, is to position the user and to give him / her a better posture.



#### **CAUTION!** Risk of sliding

- If you have a very low seat height and / or use your feet to maneuver the wheelchair, the legrests can be removed. If so, be aware of the sliding risk!



1. Loosen and remove the screw and the washer (C) for the legrest attachment.
2. Place the attachment (A) on the frame as shown on the picture.
3. Adjust the attachment to the required position.
4. Use the screw and the washer (C) to fixate the attachment (A) and tighten the screw.



The positioning belt should be placed in the slot (B) on the attachment (A).



#### **WARNING!** Risk of injury

- The attachment (A) must not be used for safety belts when transferring the user in a vehicle.

### 5.22 Privacy attachment



Attach the privacy attachment on the velcro, both on the seat and on the backrest (see picture).

## 5.23 Harness



### WARNING!

#### Risk of choking

When the wheelchair is tilted or reclined the harness can move and cause hazard to the user.  
– Make sure that the harness is correctly positioned after each adjustment.



### WARNING!

#### Safety risk

– The harness which is used with the harness attachment holder, should be fitted by an experienced clinician or technician.  
– The harness must always be used in combination with the pelvic belt and should be worn on top of the pelvic belt.



### WARNING!

#### Risk of sliding

The user may accidentally slide down in the wheelchair.  
– Always use a harness in combination with a pelvic belt.



### WARNING!

#### Safety risk

– The harness must not be used as a safety belt during transport in a vehicle.

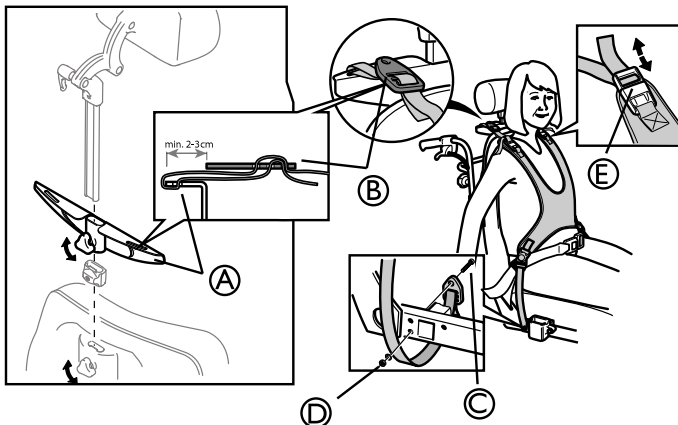


Make sure that the harness does not put too much pressure on any point.



Belts/harnesses which are CE-marked for the purpose of using on wheelchairs, can be mounted on the chair with preserved CE-marking. The belt/harness should be fitted by the responsible prescriber and be mounted by an experienced technician. However, when transporting the wheelchair in a vehicle, Invacare's original pelvic belt must be used as a complement to the safety belt in the vehicle!

### 5.23.1 Harness attachment holder



1. Loosen the handwheel and remove the neckrest.
2. Fasten the harness holder onto the neckrest pole.
3. Re-tighten the handwheel.



The harness is mounted on the holder for the harness.

4. Thread the straps through the harness holder (A) and the harness clamp (B).
5. To mount the lower straps, loosen the armrest attachments with the screws (C) under the seat.
6. Pull out the attachments approx. 5 cm.



The strap mountings should be fastened from the inside of the frame as shown above.

7. Insert the screw (C) through the eyelet and into the hole in the frame.



Tools: 5 mm Allen key

8. Secure with washer and nut (D).
9. Put the armrest attachment back in its original place.



The harness can also be adjusted with the straps by the shoulders (E).

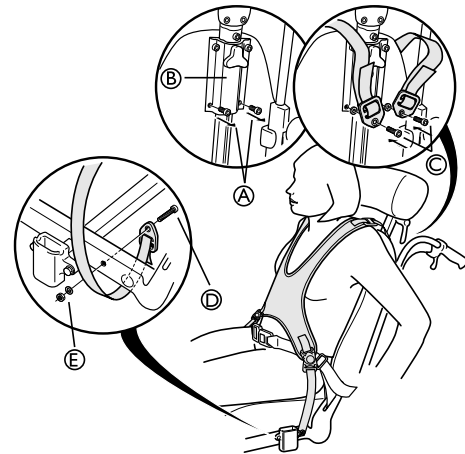
### 5.23.2 Azalea Minor — harness



### WARNING!

#### Risk of injury

– The harness has to be fitted and adjusted by a trained therapist.



The harness is mounted on the headrest attachment.

1. Remove the screws for the headrest attachment (A) and discard them.
2. Position washers and harness as shown above.
3. Insert new screws (C) through the eyelets into the attachment (B).
4. Tighten the screws.
5. To mount the lower straps, loosen the armrest attachments with the screws (D) under the seat.
6. Pull out the attachments approx. 5 cm.



The strap-mountings should be fastened from the inside of the frame (see above).

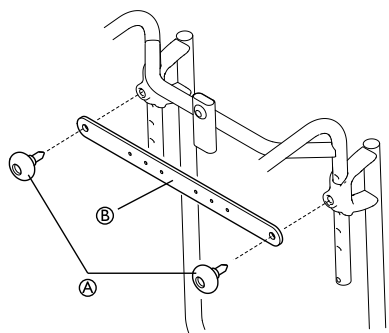
7. Insert the screw (D) through the eyelet and into the hole in the frame.



Tools: 5 mm Allen key

8. Secure with the washer and nut (E).
9. Put the armrest attachment back in its original place.

### 5.23.3 Harness attachment — Azalea Base



1. Loosen the handwheels for the push handles ①.
2. Fit the harness attachment device ②.
3. Put the handwheels back and tighten.

## 6 Usage

### 6.1 General warnings Usage



#### CAUTION!

##### Risk of sliding

– The seat must be positioned flat or tilted backwards if the user is left alone unattended.



#### CAUTION!

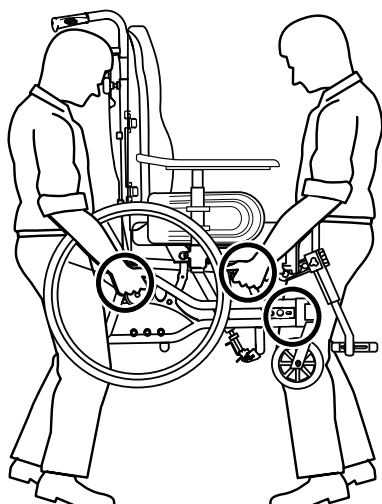
##### Risk of sliding

– If you have a very low seat height and / or use your feet to maneuver the wheelchair, the legrests can be removed. If so, be aware of the sliding risk!

### 6.2 Operating the wheelchair

We recommend that you have the chair tested by the qualified person who has prescribed the wheelchair, after he or she has made the adjustments that you request, taking your build and needs into account. We hope that you have also received help in learning how best to use the wheelchair. Start by practising carefully until you are familiar with the wheelchair's possibilities and limitations.

#### 6.2.1 Lifting the wheelchair



1. Always lift the wheelchair by grabbing the frame at the points shown in the picture.
2. Never lift the wheelchair by the removable armrests or the footrests.
3. Ensure that the backrest and push handles are securely in place.
4. Read the chapter Safety instructions/Propelling techniques.

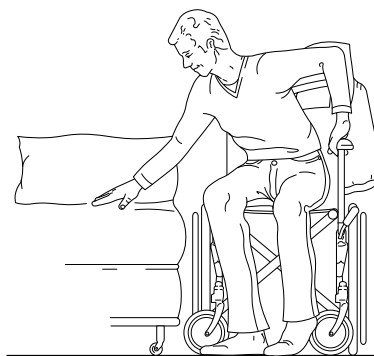
#### 6.2.2 Move to/from the wheelchair



#### WARNING!

##### Risk of tipping forwards

The wheelchair could tip forwards if you use the footplates as support.  
– Do not support yourself on the footplates when moving to/from the wheelchair.

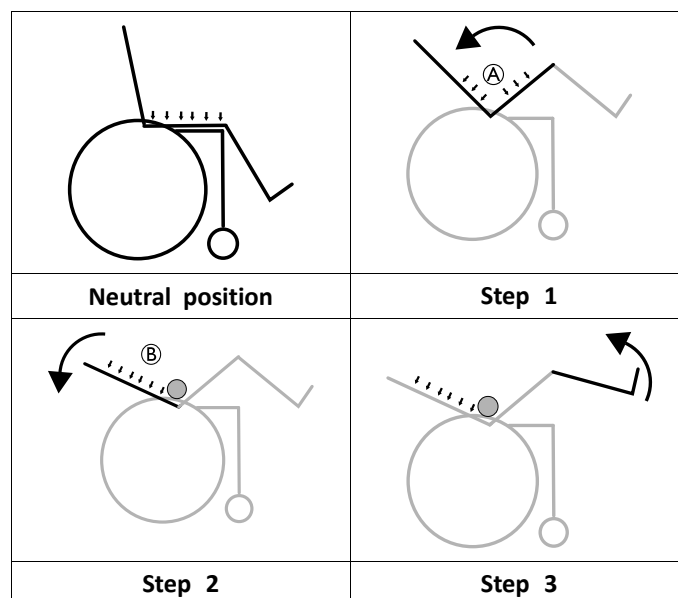


1. Propel the wheelchair as near as possible to the seat that you want to move to.
2. Apply the brake.
3. Remove the armrests or move them upwards out of the way.
4. Detach the legrests or swing them outwards.

#### 6.2.3 Using the tilt / recline function

To ensure a good positioning, follow these steps when using both the tilt and the recline function. See sections "Manual tilt and backrest angle adjustment" and "Electric tilt and backrest angle adjustment" for instruction about how to operate the tilt and/or the recline function.

##### Tilting / reclining from an upright position



1. Tilt the chair.
  - This enables the user to slide to the rear and supports a neutral pelvis position (A).
2. Recline the backrest
  - The weight will now shift to the back and enable a good posture, as the bottom has slid into a rear position (B).
3. Angle the legrests.

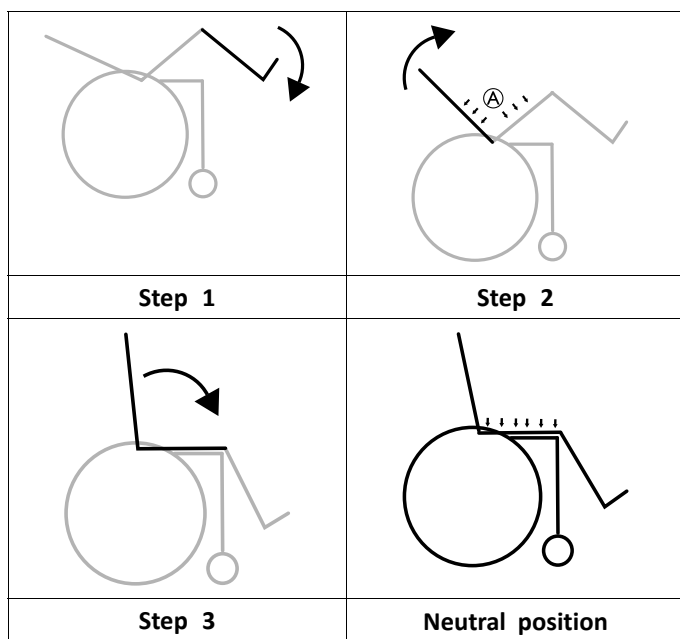


#### CAUTION!

##### Discomfort for the user

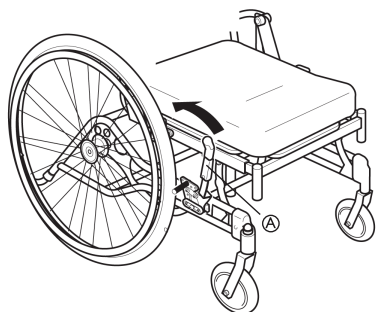
The pelvis will be strained and the user can slide downwards in the chair.  
– Ensure that the backside of the thighs (hamstrings) are in a relaxed neutral position when angling the legrests.

### Rising from a tilted / reclined position



1. Fold down the legrests.
2. Raise the backrest from the reclined position.
  - Raising the backrest before the tilt, preserves the neutral pelvis position (A).
3. Raise the tilted position.

### 6.2.4 Using the user operated brake



- Start by checking that the tires have the correct air pressure (printed on the side of each tire).
- The user brake is to be used when the chair is not moving, and is not intended for reducing speed when the chair is moving.

1. To apply the brake, move the lever (A) towards the rear (towards you).
2. To release the brakes, move the lever (A) forwards.



#### CAUTION!

##### Risk of trapping fingers

- Be careful not to trap your fingers between the brake pin and rear wheel

### 6.2.5 Using the One arm brake

The wheelchair can be equipped with a one arm brake instead of the std user operated brake. The one arm brake is operated in the same way as the std user operated brake, the difference is that the brake handle brakes both wheels at the same time. The one arm brake is available both for the right and the left side of the wheelchair .

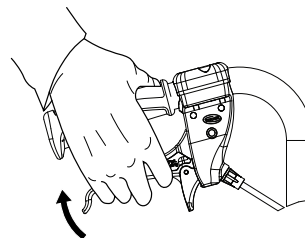
### 6.2.6 Using the carer-operated brake



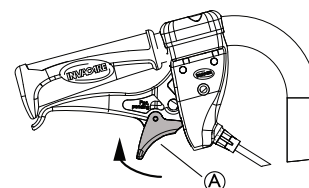
#### WARNING!

##### Risk of reduced brake effect

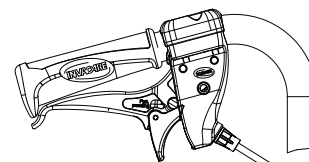
- Incorrect setting or use of the brake reduces the braking effect.



1. Braking when moving: squeeze both brake handles upwards, and the brake will be applied.



2. Locking the brakes: squeeze the handle and move the lock catch (A) upwards.
3. Release the handle.



4. Releasing the brakes: squeeze the handle and the lock catch will release automatically.



If the brake effect is poor or reduced, contact your authorized representative, i.e your dealer or Health Care provider.

### 6.2.7 Stretching and leaning



1. Propel the wheelchair as near as possible.



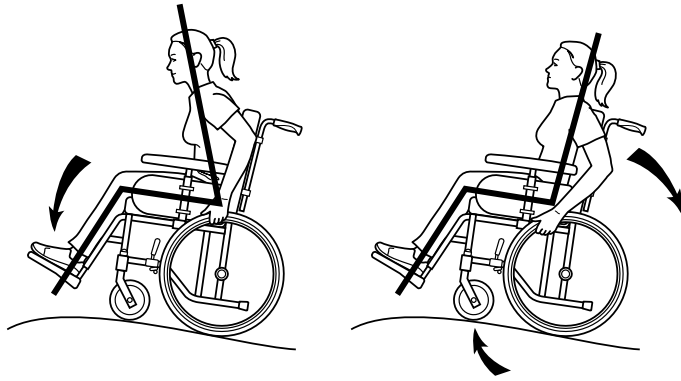
#### WARNING!

##### Risk of tipping

The wheelchair may tip over.

- Always have full contact between the backrest and the back. Stretching backwards is not recommended.

### 6.2.8 Propelling up a slope



Many experienced users can propel themselves up a slope. In order not to lose control of the steering and to avoid tipping backwards, you should always lean forwards whilst propelling up a slope. Propel the wheelchair forwards using short, quick strokes applied to the hand rims, in order to maintain speed and steering control.

The wheelchair can manage a slope of 15°, but steep slopes should be avoided for safety reasons. Generally, help is needed on steep slopes.



#### **WARNING!** **Risk of falling/injury**

- The wheelchair may move forward uncontrollably.
- Check the slope to see if there are any particular hazards, potholes, slippery sections.
  - Never use the user-operated brake to slow down. When you apply the brake on a downward slope, the wheels lock and the wheelchair can suddenly pull to one side, tip sideways or stop immediately. This may cause you to be thrown out of the chair.
  - Always control the speed with the hand rims.
  - Try to propel down the slope in a straight line as much as possible.



#### **CAUTION!** **Risk of minor injury**

- Remember that the hand rims may become hot due to friction, and this may cause injury to your hands.



#### **WARNING!** **Risk of tipping**

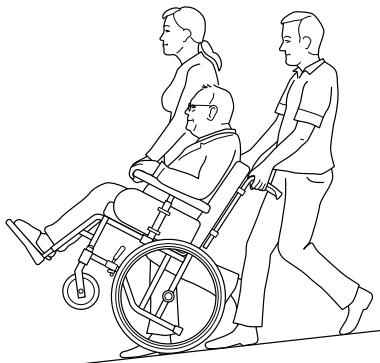
- The wheelchair may tip if the slope is 8° or more.
- Use anti tip devices!



#### **WARNING!** **Risk of tipping backwards**

- When the wheelchair is already leaning backwards, a sudden movement may cause the wheelchair to tip backwards.
- If you have to stop on a slope, it is particularly important to ensure that you do not make any sudden or unexpected backward movements when you start moving the wheelchair forwards again.

### 6.2.9 Propelling down a slope



**i** The wheelchair can manage a slope of 15°.

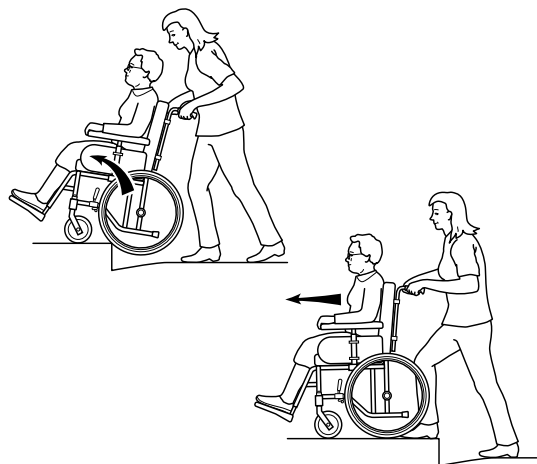
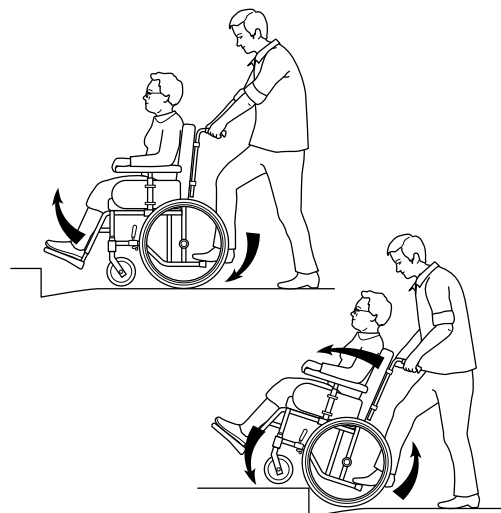


#### **Risk of falling**

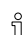
- Steep slopes should be avoided for safety reasons.
- We recommend that you obtain the help of one or more assistants when going down steep and wet slopes.

### 6.2.10 Climbing a kerb

This method is for when the assistant is always behind the wheelchair and it creates the greatest safety for the user. The following advice is for the assistant:

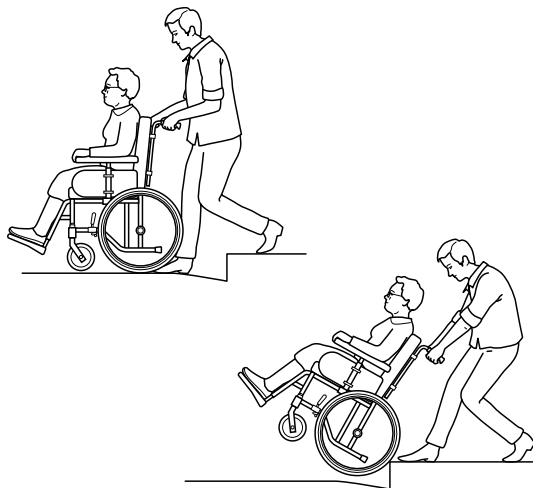


1. Adjust the anti-tip devices upwards. Ensure that the user's feet rest securely on the footrests and cannot slide off. Then tilt the wheelchair backwards and push it forwards against the kerb.
2. Lower the frontal part of the wheelchair onto the pavement and place yourself as close to the chair as possible, before you lift up the whole wheelchair.
3. Lean forward and lift/roll the wheelchair over the pavement edge.
4. Lower the wheelchair onto the pavement so that the weight is divided on all four wheels. Ensure that the wheelchair does not roll backwards.

 To dismount kerb, follow the procedure above, but in reverse order (step 4, 3, 2 and then 1) to move off a kerb.

### 6.2.11 Kerbs — alternative method

This method is generally used by experienced assistants who are stronger than average. It can also be used when the kerb or step is low and only constitutes a minimal obstacle.



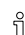
1. The assistant steps backwards onto the pavement and pulls the wheelchair up onto the pavement.
2. Tip the wheelchair backwards and roll the chair over the kerb onto the pavement.



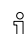
#### **CAUTION!** **Risk of injury**

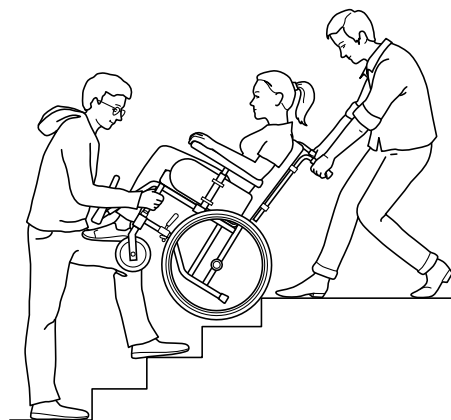
Incorrect method could cause injury to the assistant.

- It is important for the assistant to use his or her body correctly to prevent injury.

 Take particular care if the kerb is wet or slippery.

### 6.2.12 Escalators and stairs

 Do not use escalators when you are in the wheelchair. Find out whether there is a lift nearby.



1. Check that the push handles/push bar are securely fixed in place before you start.
2. Fold the anti-tip devices upwards.
3. Balance the wheelchair on the rear wheels until the balance point is found.
4. Transfer the wheelchair down the stairs, step by step, let the rear wheels reel over the edge of each step.



#### **Risk of injury**

Lifting the wheelchair incorrectly may injure the assistant.

- Do not lift the wheelchair by gripping the removable armrests or legrests.
- Lift the wheelchair at the correct points, use the legs when lifting and keep the back as straight as possible.



We recommend that you receive help from two assistants to get up and down stairs. One assistant walks in front of the chair holding the frame of the wheelchair, whilst the other assistant walks behind the chair, holding the push handles.

## 7 Transport

### 7.1 Safety information

We would like to inform you about the transport of wheelchairs with seated users in vehicles that are especially adapted for this purpose. First and foremost, we would like to point out that it is always the safest option for the user to be transported in the vehicle's regular seat fastened with the regular safety belt. Invacare cannot recommend transport seated in the wheelchair. But, we are aware that there are users and situations that require vehicle transport seated in the wheelchair. In these cases, the safety rules in this section must be followed in order to reduce the risk of injury in the case of an accident.

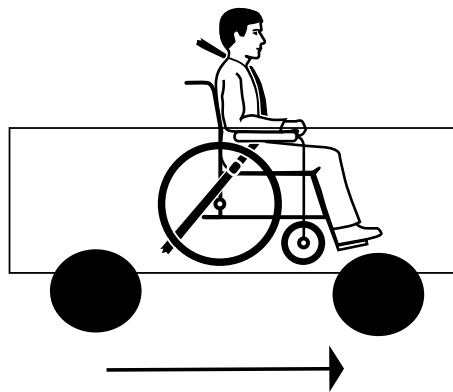
Please also read section: "Compliance" for further information.

The wheelchair/mobility base has been tested according to the specifications in ISO 7176-19 "Wheeled mobility devices for use as seats in motor vehicles". This standard is developed by authorities and specialists and states a minimum demand on wheelchairs regarding transportation in vehicles.

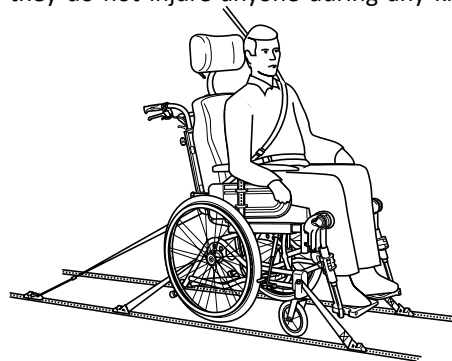
However, in situations where conditions defer from the test conditions or where the guidelines in this manual are not followed, Invacare cannot be held responsible for the possible outcome of an accident. Configurations and accessories that are unsuitable to be used as a seat in transportation in a vehicle are mentioned later on in this chapter.

Please also read section: "Compliance" for further information.

### 7.2 Transporting occupied / unoccupied wheelchairs in vehicles



1. The wheelchair and user should be transported forward-facing in the travel direction. All auxiliary equipment such as tables, trunk support, abduction cushion etc should be removed and stored safely so that they do not injure anyone during any kind of accident.

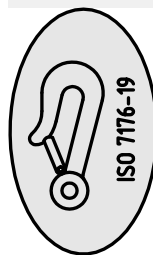


2. The wheelchair should be secured in the vehicle with a 4-point restraint system. The user should wear a 3-point safety belt secured in the vehicle.



#### **WARNING!** Risk of injury

- Both the 4-point restraint system and the 3-point safety belt must be approved according to ISO-10542-2.



3. The tie-down points on the wheelchair where the restraint system straps should be placed are marked with this symbol.



For vehicles where the wheelchair cannot be restrained, there are no existing test methods. If there are existing marked areas for wheelchairs in the vehicle, we recommend to use these and follow the guidelines, if any, for placing the wheelchair.



#### **WARNING!** Risk of injury

- Safety restraint devices must only be used when the wheelchair user's weight is 22 kg or more. When the user weight is lower than 22 kg, do not use the wheelchair as a seat in a vehicle.



#### **WARNING!** Risk of serious injury during transport

In a vehicle, a user in his wheelchair must be secured by a safety belt (3-point belt). A posture belt only is not sufficient as a personal restraint device.

- Use the posture belt as a complement, but not as a substitute to the 3-point safety belt, when transporting the wheelchair user in a vehicle.



#### **WARNING!** Risk of injury if the wheelchair is not properly secured

In the event of an accident, braking manoeuvre, etc. you may suffer serious injuries from flying wheelchair parts.

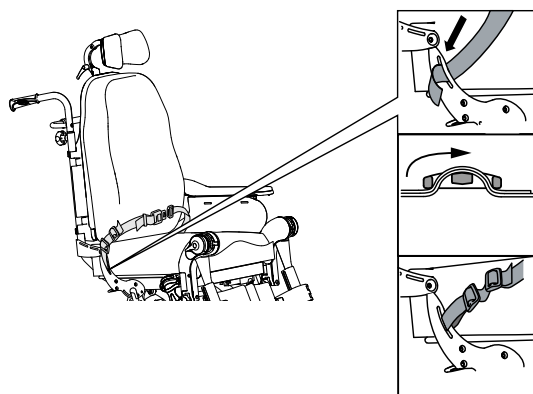
- Always remove the rear wheels when transporting the wheelchair.
- Firmly secure all wheelchair components in the means of transport to prevent them from coming loose during the journey.



### 7.2.1 Backrest and seat angles

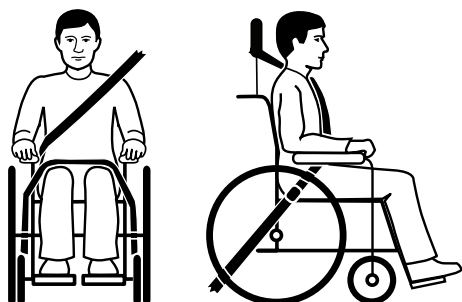
- i** When transporting an occupied wheelchair in a vehicle, the recommended angles for backrest and seat are the following:
- Azalea standard: 4° for the backrest and 4° for the seat.
  - Azalea Max: 5° for the backrest and 3° for the seat.
  - Azalea Base: 0° both for the backrest and the seat.

### 7.2.2 Posture belt



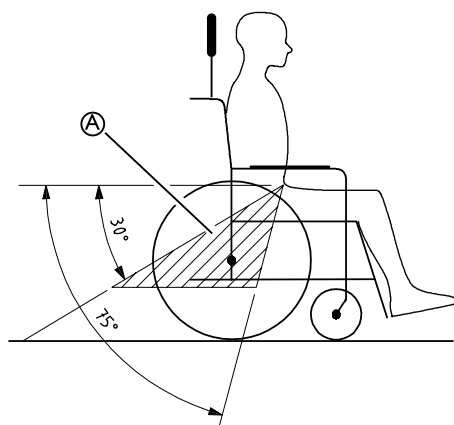
1. In order to be used as a seat during transport in a vehicle, the wheelchair must be equipped with a posture belt.

**i** Invacares original posture belt must be used as a complement to the safety belt in the vehicle!



2. The vehicle's safety belt should fit as tightly across the user's body as possible without discomfort. The upper part of the safety belt should fit over the user's shoulder as illustrated. No part of the safety belt must be twisted.

**i** No part of the safety belt must be twisted.



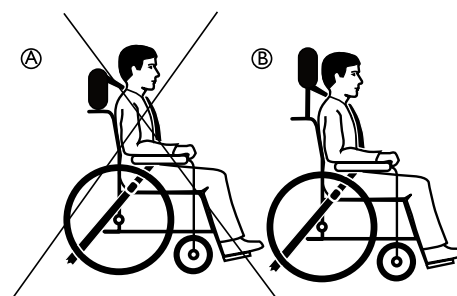
3. The pelvic part of the 3-point safety belt must be worn low across the pelvis. The angle of the posture belt shall be within the preferred zone (A).

**i** The angle of the posture belt must never exceed 75°.



**i** Incorrect placement of safety belt

4. The 3-point safety belt must not be held away from the user's body by parts of the wheelchair such as armrests or wheels etc.



(A) Incorrect placement of the neckrest

(B) Correct placement of the neckrest

5. A neckrest should always be used during transport and it should be adjusted as shown in the picture.

### 7.2.3 Ramps and slopes



**WARNING!**  
**Risk of injury**

The wheelchair can move forward / backward uncontrollably by mistake.

- Never leave the user unattended when transporting the wheelchair up or down ramps or slopes.

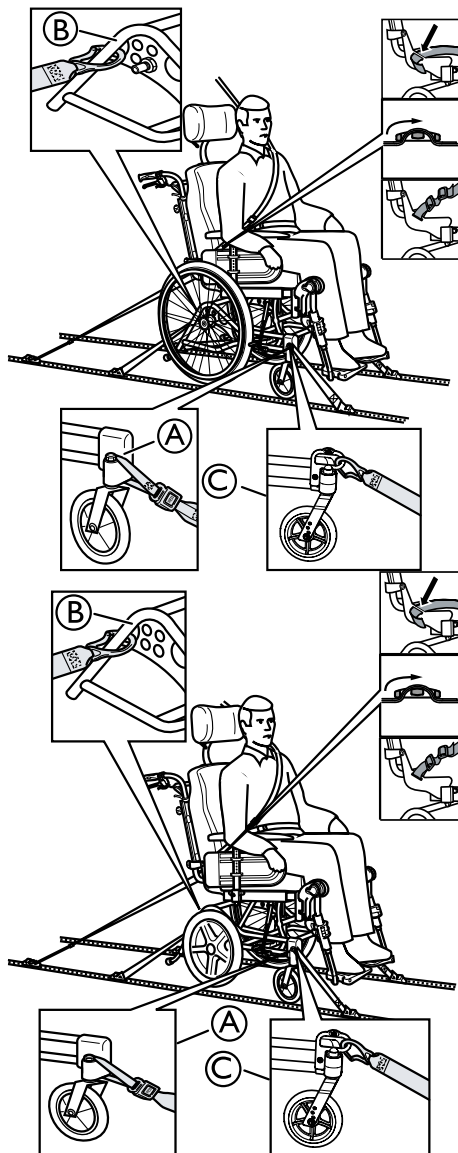
### 7.3 Restraint methods



**CAUTION!**

**The castor locking might break**

- If the wheelchair is equipped with castor locking, the castor locking must be inactive during transport in a vehicle.



### 7.3.1 Frontal restraints with straps

1. Connect the frontal straps around the castor attachment (A).
2. Release brakes and tension front straps by pulling the wheelchair backwards.
3. Re-apply wheelchair brakes.

### Alternative frontal transport attachment

For some configurations, an alternative transport attachment is available as an option.

1. Connect the hook of the frontal straps on the transport attachment (C).
2. Release brakes and tension front straps by pulling the wheelchair backwards.
3. Re-apply wheelchair brakes.

### 7.3.2 Rear restraints

1. Attach the snap hooks on the rear straps to the vertical rear tube (B) by the rear wheel attachment.
2. Tighten the straps.

### 7.3.3 Fastening of posture belt and safety belt

1. Check that the posture belt on the wheelchair is correctly fastened.
2. Fasten the vehicle's 3-point safety belt around the user.

- i If there is no posture belt in on the wheelchair the user must transfer to the seat of the vehicle.
- i The vehicle's 3-point safety belt should not be kept from the user's body by the parts of the wheelchair.



### WARNING! Risk of injury

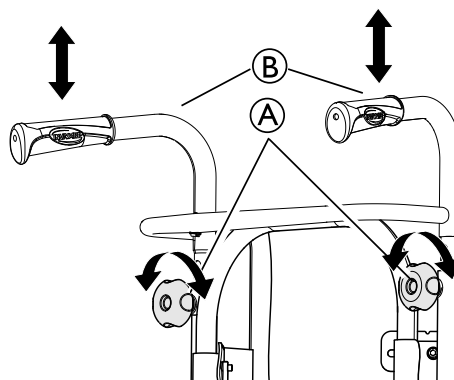
The user is not securely restrained in the vehicle.

- Never use only the posture belt as a safety belt during transport.
- The vehicle's 3-point safety belt must always be used to secure the user during transport.

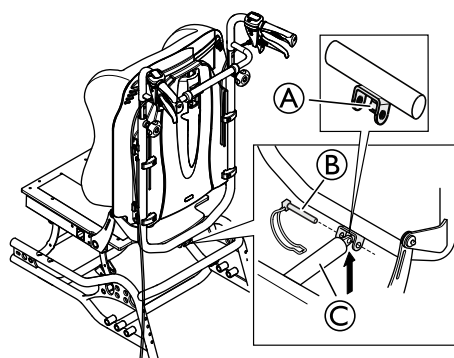
## 7.4 Disassembly for transport

The Rea® Azalea is easy to prepare for transport.

### 7.4.1 Backrest



1. Remove the backrest cushion by pulling it forwards, thus separating the velcro® straps.
2. Lower the push handles (B) to the lowest position by loosening the handwheels (A).



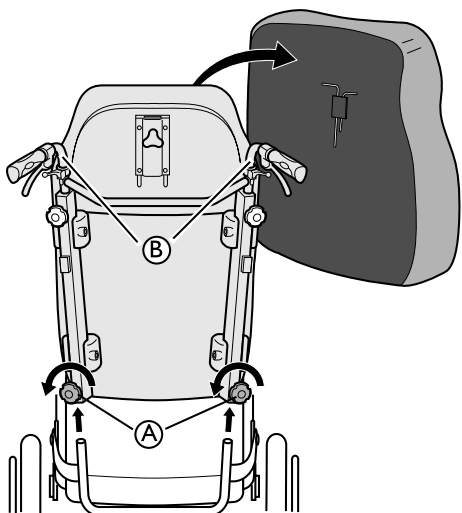
1. Release the gas piston safety pin (B) and carefully remove it.

i The gas piston can rest on the lip (A).

2. Fold the backrest and let it rest on the seat.

i Be careful with the cables that run from the rear wheel to the push handles.

### 7.4.2 Backrest Minor

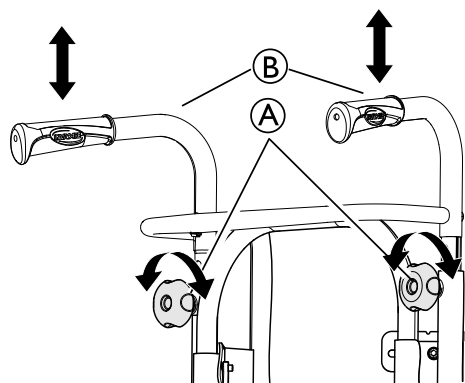


1. Remove the backrest cushion by pulling it forwards, thus separating the velcro® straps.
2. Loosen both handwheels Ⓐ and pull the backrest directly upwards.
3. Lay the backrest on the seat, where it can remain during transport of the wheelchair.
4. Where applicable, detach the push handles Ⓑ.

**i** Be careful with the cables that run from the rear wheel to the push handles

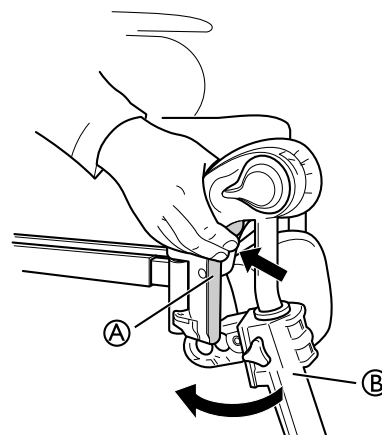
**i** When detaching the backrest and placing it on the seat, try to make sure that the cables hang freely.

### 7.4.3 Push handles/push bar



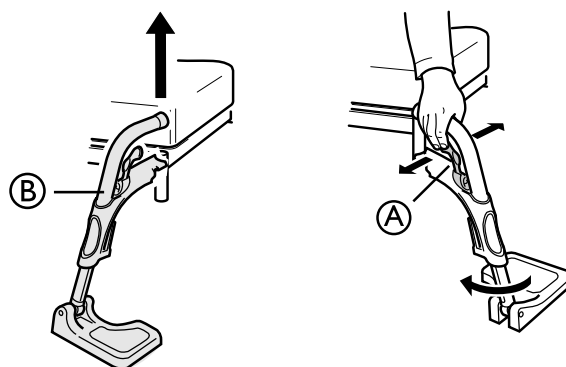
1. Loosen the two handwheels Ⓐ.
2. The height of the push handles Ⓑ can be adjusted simply by pulling the handles upwards or pushing them downwards.

### 7.4.4 Remove the legrest angle adjustable



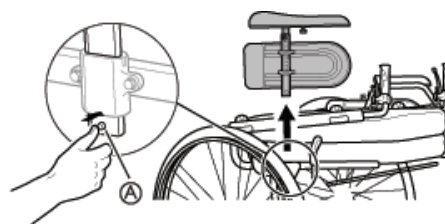
1. Push the lever Ⓐ inwards.
2. Turn the legrest Ⓑ outwards.
3. Lift off the legrest.

### 7.4.5 Remove the footrest fixed



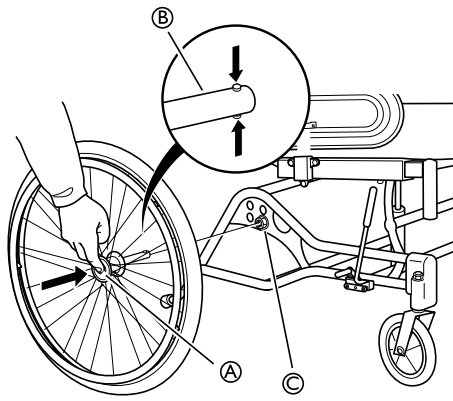
1. Push the handle Ⓐ forwards or sideways.
2. Turn the footrest Ⓑ outwards.
3. Lift off the footrest.

### 7.4.6 Armrest



1. Press and hold the release button Ⓐ.
2. Remove the armrest.

### 7.4.7 Rear wheels



1. Push the quick-release button (A).
2. Pull the rear wheel straight out and remove the wheel and the rear wheel axle (B) from the rear wheel attachment (C).

## 8 Maintenance

### 8.1 Daily performance check

Check that the following parts are correctly mounted on the wheelchair:

- Wheels
- Backrest
- Anti-tip device
- Push handles
- Footrests

### 8.2 Safety information

Regular checks and maintenance of the wheelchair ensure the user's safety and the expected lifetime of the chair.

### 8.3 Maintenance electrical version



#### CAUTION!

#### Risk of damage to the product

- Do not use chemicals.
- Handle batteries carefully.
- Do not use strong solvents, basic or alkaline liquids.
- Check that the actuators and system function properly.
- For an optimum lifetime, the product must be connected to the mains voltage as often as possible. It is recommended to load the battery at least every 3:rd month.
- Test the battery function at least once a year.

### 8.4 Cleaning

- Wipe metal parts and the upholstery regularly with a damp cloth.
- A mild detergent may be used.
- If necessary, the upholstery can be washed at 60° C.
- Normal washing powder/liquid may be used.



Only use water and soft soap to clean the table!

- For disinfection only use alcohol based detergent.

### 8.5 Washing and disinfection

1. Remove all loose and removable covers and wash them in a washing machine according to the washing instructions for each cover.
2. Remove all padded parts such as seat cushions, armrests, headrest/neckrest with fixed padded parts, calf pads and so on and clean them separately.



The padded parts can not be cleaned with a high-pressure cleaner or water jet.

3. Spray the wheelchair chassis with detergent, for example a car-cleaning agent with wax, and leave on to work.
4. Rinse the wheelchair chassis with a high-pressure cleaning or ordinary jet of water depending on how dirty the wheelchair is. Do not aim the jet towards bearings and draining holes. If the wheelchair chassis is washed in a machine the water must not be hotter than 60° C.
5. Spray the wheelchair chassis with alcohol for disinfection.



Only use water and soft soap to clean the table!

6. Leave the wheelchair to dry in a drying cabinet. Remove parts where water has collected for example in end tubes, ferrules etc. If the wheelchair has been washed in a machine, blow-drying with compressed air is recommended.

#### Dartex®

Lighter stains on the fabric may be neutralized with a soft damp cloth and some neutral detergent. To neutralize larger, more persistent stains, wipe the fabric with alcohol or turpentine substitutes, and wash with hot water and a neutral detergent.

Proprietary disinfectants may be used, provided that the manufacturer's instructions are followed. The fabric can be washed at temperatures up to 71° C (160° F). Normal detergents can be used.



All parts of the wheelchair with Dartex® upholstery, such as armrest pads, calf pads, headrest/neckrest, should be cleaned according to the instruction above.

#### 8.5.1 Electrical version



#### Important!

- The wheelchair with electrical backrest or tilt is protected according to IPX6. This means that the product can be washed with a brush and water. The water can be under pressure (garden hose or equivalent), but high pressure water must not be sprayed directly towards the electrical system.
- Max washing temperature 20° C.
- Do not use a steam cleaner.
- Before cleaning, make sure that the power plug is not connected.
- Interconnected cables must remain plugged in when cleaning the product.
- Retract the actuator to the innermost position when cleaning to avoid degreasing of the piston rod.

## 9 After Use

### 9.1 Recycling

The wheelchair can be divided into the following main components:

- Chassis
- Plastic parts
- Upholstery
- Wheels, tires and tube
- Packing

#### 9.1.1 Waste disposal

Please be environmentally responsible and recycle this product through your recycling facility at its end of life.

Waste disposal must comply with the laws and regulations pertaining waste handling in each country.

Invacare® is continuously working towards ensuring that the company's impact on environment, locally and globally, is reduced to a minimum.


We comply with the current environment legislation (e.g. WEEE and RoHS directive).

We only use REACH compliant materials and components.

The wheelchair can be divided into the following main components:

#### Chassis

- The chassis is produced in steel and is fully recyclable.
- Recycling of steel requires only 20-25% of the energy compared to new produced steel.
- The wheelchair has two gas pistons and they contain oil and must be disposed according to national requirements.

 Be aware of that the gas pistons contains high pressure and must be handled with care during destruction.

#### Plastic parts

- The plastic parts in the chairs are produced of "Thermoplastic" and are marked with recycling symbols (where it is possible due to part size).

- The main plastic material is polyamide.
- The plastic materials for the table are ABS and polyamide.
- This material can be recycled or burned in approved facilities.

#### Upholstery

- Upholstery is produced of polyester fibres (PUR) and Dartex®.
- The efficient way to recycle the parts is to burn them in approved facilities.

#### Wheels, tires and tubes

- The handrim, rim, spokes and hub are made of steel, stainless steel or aluminium and can be recycled according to above.
- Tires and tubes are made of rubber and can be recycled according to above.

#### Packing


- All Invacare Rea AB packing material is developed to fit the products in an optimal way to reduce unnecessary material waste.
- All boxes are recyclable.

#### Electrical and Electronic equipment

This product has been supplied from an environmentally aware manufacturer that complies with the Waste Electrical and Electronic Equipment (WEEE) Directive 2012/19/EU. This product may contain substances that could be harmful to the environment if disposed of in places (landfills) that are not appropriate according to legislation.

#### End of life

At the end of this products life, it should be recycled according to laws and regulations for waste handling in each country.

 Contact your local recycling agent to obtain the correct information on how to handle the above mentioned materials.

## 10 Storage



### **IMPORTANT!**

- Risk of damage to the product
  - Do not store the product near heat sources.
  - Never store other items on top of the wheelchair.
  - Store the wheelchair indoors in a dry environment.
  - Refer to section: “Environmental conditions” under the chapter “Technical data”.



After long-term storage (more than four months) the wheelchair must be inspected in accordance to chapter “Maintenance”.

## 11 Troubleshooting

### 11.1 Troubleshooting electrical version

Symptom	Possible cause	Remedy
Tilt or recline does not move	End of stroke reached	Operate opposite button
	Battery is not charged	Charge the battery
	Hand control not connected	Ensure hand control correctly connected to control unit.
	Hand control defective	Call dealer / technician to replace hand control
	Control unit defective	Call dealer / technician to replace control unit
	Cables entangled or pinched	Call dealer / technician to replace cables
	Hand control function is locked	Unlock the hand control function (see chapter "locking of recline and tilt function")
The hand control beeps when it is used.	Battery level is low	Charge the battery
	The wheelchair has been used outdoors in cold temperatures (below $-10^{\circ}$ C)	Let the wheelchair get warmer. Restart the control box, see chapter "Charging the battery" for more instructions.



## 12 Technical Data


### 12.1 Dimensions and weights



**WARNING!**
**Limited access to emergency escape routes**

- In some combinations, the total width and length of the wheelchair exceeds the recommended measurements for emergency escape routes.
- The recommended values concerning access to emergency escape routes are: Length max. 1200 mm and width max. 700 mm.

	AZALEA	AZALEA ASSIST	AZALEA TALL	AZALEA BASE	AZALEA MINOR	AZALEA MAX
Effective seat width	390–550 mm	390–590 mm	390–590 mm	340–590 mm	340–440 mm	550–710 mm
Seat depth	430–500 mm	430–500 mm	480–550 mm	380–500 mm	380–450 mm	** 500–570 mm
Seat height	400/450 mm	400/450 mm	500 mm	400/450 mm	400/450 mm	400/450 mm
Backrest height	560–790 mm 540–715 mm	560–790 mm 540–715 mm	560–790 mm 540–715 mm	—	550–650 mm	*** 620–700 mm
Armrest height (Armrest to seat distance)	240–360 mm	240–360 mm	240–360 mm	240–360 mm	240–360 mm	320–420 mm
Legrest length (Footrest to seat distance)	330–500 mm	330–500 mm	330–500 mm	330–500 mm	330–500 mm	330–500 mm
Overall width	SW +250 mm	SW +220 mm	SW +220 mm	SW +220 mm	SW +220 mm	SW +250 mm
Tilt adjustment (seat plane angle)	-1° – +24°	-1° – +24°	-1° – +24°	-1° – +24°	-1° – +24°	-1° – +20°
Total height	950–1020 mm	950–1020 mm	1000–1300 mm	900–1300 mm	900–1250 mm	1020–1240 mm
Total length (Overall length with legrests)	950–1020 mm	950–1020 mm	950–1070 mm	950–1020 mm	900–970 mm	1050–1120 mm
Weight	34 kg	34 kg	36 kg	20 kg	32 kg	54 kg
Max. user weight	135 kg	135 kg	135 kg	135 kg	75 kg	180 kg
Transport weights *	16,5 kg	20,5 kg	18,7 kg	15 kg	14,5 kg	26 kg
Backrest adjustment	0° – +30°	0° – +30°	0° – +30°	-3° – +30°	0° – +30°	0° – +30°
Folded length	685 mm	730 mm	730 mm	790 – 960 mm	650 – 690 mm	780 mm
Folded width	705 mm	610 mm	610 mm	610 – 770 mm	570 mm	800 mm
Folded height	695 mm	695 mm	695 mm	770 mm	640 mm	870 mm
Static stability uphill	14°	14°	14°	14°	14°	14°

	AZALEA	AZALEA ASSIST	AZALEA TALL	AZALEA BASE	AZALEA MINOR	AZALEA MAX
Static stability downhill	17°	17°	17°	17°	17°	17°
Static stability sideways	21°	21°	21°	21°	21°	21°
Maximum slope with parking brake	7°	7°	7°	7°	7°	7°
Leg to seat surface angle	96° – 211°	96° – 211°	96° – 211°	96° – 211°	90° – 180°	96° – 170°
Front location of armrest structure	343 – 571 mm	343 – 571 mm	343 – 571 mm	343 – 571 mm	343 – 571 mm	400 – 470 mm
Handrim diameter	450 – 540 mm	450 – 540 mm	450 – 540 mm	450 – 540 mm	450 – 540 mm	450 – 540 mm
Horizontal location of axle	-35 – 35 mm	0 – 40 mm	-35 – 35 mm	-35 – 35 mm	+0 – -35 mm	-35 – 35 mm
Minimum turning radius	776 mm	776 mm	776 mm	776 mm	770 mm	780 mm

-  • \* If equipped with electrical system, the weight increase is 4,2 kg.  
 • \*\* A smaller seat width can be obtained by using the side rest pad.  
 • \*\*\* A lower backrest height can be obtained by using another backrest.

 In some configurations, the overall dimensions exceed the recommended dimensions for a wheelchair.

	16"	20"	22"	24"
Width of the wheels	1 3/4"	1 3/8"	1 - 1 3/8"	1 - 1 3/8"
Wheel inclination	0° (Wheelchair without load)			

### 12.1.1 Maximum weight of removable parts

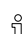
Maximum weight of removable parts	
Part:	Maximum weight:
Legrest angle adjustable with calf pad and footrest	3,1 kg
Armrest	2,0 kg
Rear wheel 24" solid with handrim and spoke guard	2,5 kg
Headrest / Neckrest / Cheek support	1,4 kg
Trunk support	0,8 kg
Backrest cushion	2,0 kg
Seat cushion	1,9 kg
Table tray	3,9 kg

## 12.2 Material



Chassis, backrest tubes	Steel, powder coated
Plastic parts like push handles, brake handles, foot plates and parts of most accessories	Thermoplastic (e.g. PA, PE, PP, ABS and TPE) according to marking on the parts
Upholstery (seat and backrest)	Foam PUR and Polyether, fabric Dartex® and plush
Table	ABS
Seat plate	Coated Birch plywood
Other metal parts	Zink alloys, aluminium alloys and steel
Screws, washers and nuts	Steel, corrosion free

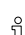
## 12.3 Environmental conditions

	Long term / Short term storage and transportation	Operation
Temperature	-10° C to +50° C	-5° C to +40° C
Relative humidity	20% to 75%	
Atmospheric pressure	800 hPa to 1060 hPa	

 Be aware that when a wheelchair has been stored under low temperatures, it must be adjusted to operating conditions before use.

## 12.4 Electrical system — Models equipped with electric tilt and backrest

Voltage supply	U in 100–240 Voltage, AC, 50/60 Hz (AC = Alternating current), DC 24 V (DC = Direct current)
Maximum current input	I in max. 5 Ampere (battery = max 1,3 Ampere)
Intermittent (periodic motor operation)	10 % 2 min ON / 18 min OFF
Protection class	CLASS II equipment
	
	Applied Part complying with the specified requirements for protection against electrical shock according to IEC60601-1.
Degree of protection	The control unit, external power supply, motors and hand controls are protected according to IPx6. See label and label on each electric device for correct IP class. The lowest IP-classification decides the overall classification of the system.  <b>IPx6</b> - The system is protected against water projected from any direction (not high pressure).

 For full details, also read the documentation from the manufacturer. Download manual(s) from [www.linak.com](http://www.linak.com) or contact your Invacare dealer.

## 12.5 Electromagnetic compliance (EMC)

### General information

Products with electronic equipment needs to be installed and used according to the EMC information in this user manual.



**WARNING!**

**Portable and mobile communications equipment can affect the operation of this product.**

This product must not move unintentionally while being submitted to Electromagnetic interference

– If this should happen; the product must immediately be taken out of use and checked by a trained technician.

This product has been tested and complies with the EMC limits specified by IEC 60601-1-2 for Class B equipment.

 **This product has a very low emission and should not interfere with other equipment.**

**However, if other devices nearby should react inexplicably, run and stop this product and observe the devices.**

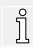
- If nothing happens with the other devices, then this product is not causing the error.
- If other devices are behaving in an inexplicable manner, then this product is causing the error. Solve the problem by moving or increasing the distance between them.

## 12.6 EMC - Manufacturer's declaration


Test	Basic Standard	Compliance Level / Frequency Range
Mains Port Conducted Emissions	EN 55011	Group 1 Class B
Radiated Emissions	EN 55011	Group 1 Class B
Mains Harmonics	EN 61000-3-2 +A1 + A2	Class A
Voltage Fluctuations	EN 61000-3-3	dc%/dmax/d(t)/Pst
Electrostatic Discharge	EN 61000-4-2	±2/4/6kV Contact, ±2/4/8kV Air
Radiated Field Immunity	EN 61000-4-3	3V/m, 80% 1kHz AM, 80MHz - 2.5 GHz
EFT/Bursts	EN 61000-4-4	±2kV L/N/E/LNE
Surge Immunity	EN 61000-4-5	±0.5/1kV L-N, ±0.5/1/2kV L-E/N-E
Conducted RF Immunity	EN 61000-4-6	3V, 80% 1kHz AM, 0.15MHz - 80MHz
Magnetic Field Immunity	EN 61000-4-8	3A/m, 50Hz-80Hz
Dips & Interruptions	EN 61000-4-11	-95%/-60%/-30%

## 13 Service

### 13.1 Maintenance schedule

Check....	Weekly	Monthly	6 months	Action:
Tire pressure	X			Recommended air pressure for rear wheels: Standard tires      3.5 bar      50 psi Recommended air pressure for castors: Low profile tires      8"      4.0 bar
QR axles rear wheels	X			Pull on the rear wheel to check that the removable axle does not come off.
All fasteners for wear and tightness		X		Bolts and other fasteners can come loose due to constant use. 1. Check that the fasteners are tight on the castor forks, footrest, seat, side supports, backrest, handles etc. 2. Tighten any loose bolts.
Castors		X		1. Check that the castors turn freely. 2. Remove any dirt and hair.
Anti-tip devices			X	Check that the anti-tip device is easy to adjust and fold.
Chassis			X	Check the chassis for wear and tear like loose parts, cracks or other defects.  A damaged chassis should be checked by a specialist.
Upholstery			X	Check the upholstery for wear and tear like loose parts, rips or other defects.
Brakes		X		1. Check that hub brakes work properly on both tires. 2. Check the positioning of the user brakes.

### 13.2 Flat tire

 In case of a tire puncture consult a suitable workshop (e.g. bike repair shop, bicycle dealer ...) to have the tube replaced by a skilled person.





## Invacare Sales Companies

### Ireland:

Invacare Ireland Ltd,  
Unit 5 Seatown Business  
Campus  
Seatown Road, Swords, County  
Dublin  
Tel : (353) 1 810 7084  
Fax: (353) 1 810 7085  
ireland@invacare.com  
www.invacare.ie

### United Kingdom:

Invacare Limited  
Pencoed Technology Park,  
Pencoed  
Bridgend CF35 5AQ  
Tel: (44) (0) 1656 776 222  
Fax: (44) (0) 1656 776 220  
uk@invacare.com  
www.invacare.co.uk



Manufacturer:

Invacare Rea AB  
Växjövägen 303  
SE-343 71 Diö  
Sweden

1488727-N 2017-10-01



**Making Life's Experiences Possible®**

**rea**



**Yes, you can.**