

# *Spare Parts Catalogue*

---

Version: 2015/08/26a EN



*Invacare*® **Reliant 350**



**Yes, you can.®**

## **General Information**

*For any order of spare parts the following information is required:*

- Product type*
- Product name & model*
- Serial Number*
- Part-Number*
- Part-Description*

*Exploded view drawings and code numbers are not contractual and subject to modification, in relation to Invacare® continuous product improvement policy to meet end users needs.*

*The reproduction or use of this work, or of any substantial part of this work, in any form or by any electronic, mechanical or other means, including photocopying, scanning and recording, and in any information storage and retrieval system, including electronic transmission, is forbidden without the prior written permission of Invacare® International Sarl.*



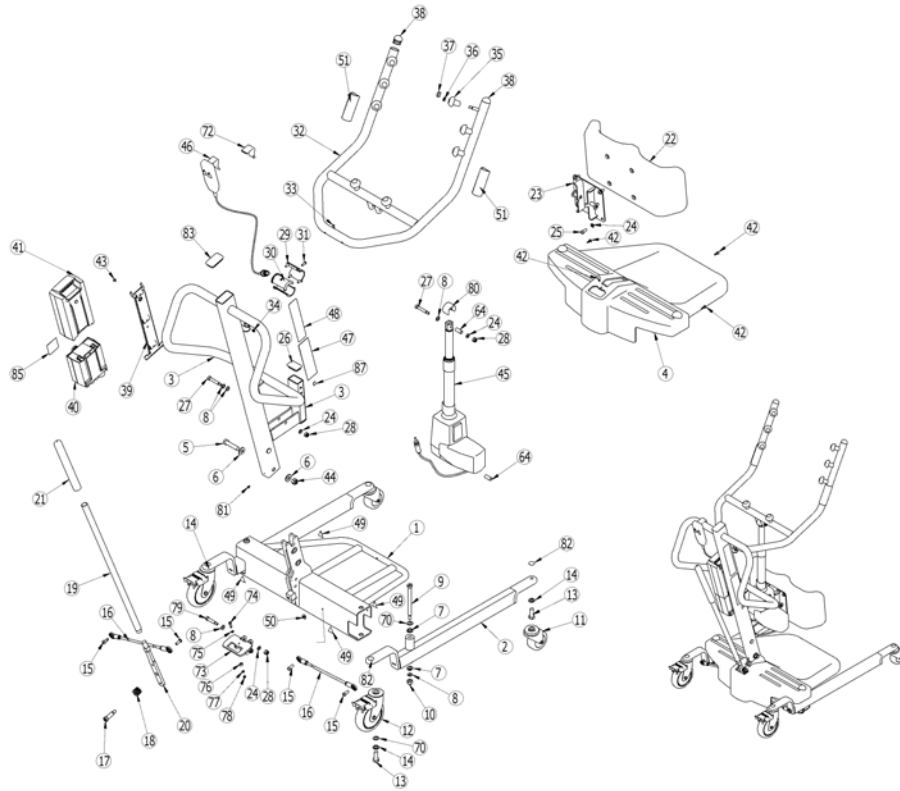
**Yes, you can.®**

## **TABLE OF CONTENTS**

---

RPS350-1E 2010-03-04=> .....	5
RPS350-1E =>2010-03-03 .....	8
RPS350-1FR .....	11





ISPS1556548 ~ rps350-1e.dxf

Pos.	Part number	Description	Valid from → until	Qty
1	1147175	CBE WLDMT support cross w/o footrest		1
2	1095671	Leg Single		2
3	1156181	Asm, handle lift 350 w/tape		1
4	1156179	Shroud, portable overhead lift w/ footrest		1
5	1078979	Bolt Hex. Hd. 1/2"-13x21/4"lg		1
6	1068305	Washer - 1/2"		2
7	1062419	Bushing Flanged		4
8	1065214	Washer 3/8 X 5/8 X 1/32		7
9	1062424	Screw 1/2" x 5"		2
10	1065216	Locknut 3/8-16		2
11	1155118	Castor 3" Swivell		2
12	1123539	Castor 5" Swivel With Brake		2
13	1073884	Screw Hex HD		4
14	1014371	Lockwasher 1/2 "		4
15	1155720	Screw, 5/16-18 X-81 soc but hd cap w/patch		4
16	1065152	Reliant Tie Rod		2
17	1029134	Screw Shoulder		1
18	1064122	Spring		1
19	1078287	Handle/Leg Spreader Pole		1
20	1156176	Tbk wldmt, mtg handle		1
21	1032246	Action Black FoamHandgrip		1
22	1070803	Knee pad		1
23	1097071	Mounting Pad		1
24	1025704	Washer Flat (1/16" x5/8")		8
25	1071955	Screw 5/16" x 3/4"		4
26	1065360	End Cap		2
27	1064455	Screw 3/8" x 1 3/4"		2
28	1064267	Locknut 5/16"		4
29	1071834	Horn Bracket		1
30	1156173	Bushing, horn Reliant 350		2
31	1007269	Screw Button Head (1/4-20 x 5/8)		4

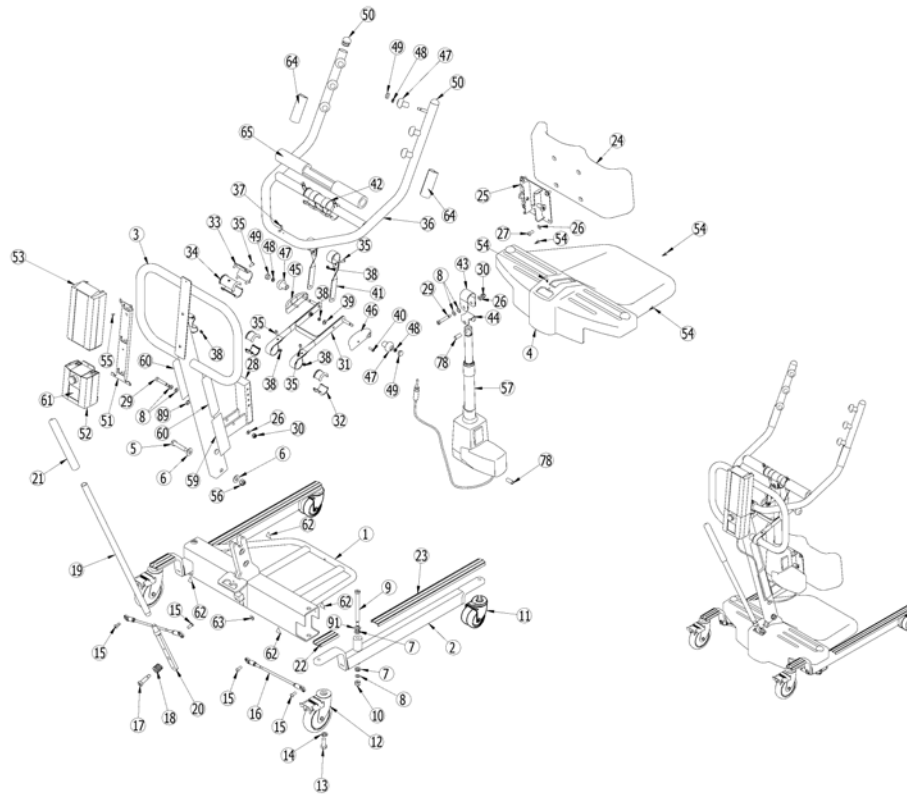
**RPS350-1E 2010-03-04=>**

Pos.	Part number	Description	Valid from → until	Qty
32	1156174	Isg wldmnt, horn		1
33	12642X000	Screw (8-15 x 5/8)		1
34	1025195	Locknut 1/4-20		4
35	1070177	Reliant Hook Knob		8
36	SP1522937	Locknut (5/16-18) <i>Replace 1028769</i>		8
37	1070902	Reliant Hook Cap		8
38	1071249	Ball Plug (1-1/4")		2
39	1078284	Bracket battery electric only		1
40	1078275	Controller(ElectricOnly)		1
41	1078276	Battery Pack(ElectricOnly)		2
42	1023632	Clip Shroud		4
43	1078980	Screw Phillips Head (10-24 x 3/16)		3
44	1078981	Nut Nyloc 1/2"-13		1
45	1156180	Actuator Linak for Reliant 350		1
46	1078283	Hand Control REL450		1
47	1167425	Label, mini manual label, Reliant 350 EU		1
48	1073705	Warning Sticker		1
49	1079112	Label "Attention"		4
50	1079113	Label "year of production"		2
51	1076388	Grip Pad		2
64	1064443	Bush		2
70	1026174	Washer 1/2" x 7/8" x3/64"		4
72	1152416	Cap clip rubber grey		1
73	1155352	WLDMT, Index Plate		1
74	1155353	Screw 1/4X51 SOC HDSHOULDER		1
75	1155354	Washer 270 X 400X0165/036 plain		1
76	1155138	Roller index plate		1
77	1155355	Washer 210X400X0.65/036 plain		1
78	1155356	Nut 10-32 lock w/nylon		1
79	1031665	Screw 3/8 x 1 1/2"		2
80	1155357	Cap actuator		1
81	1155358	Screw 8-15 X 250 ph panhd tap		1
82	1155117	Mylar castor bolt		4
83	1065361	End Cap		1
85	1079658	RPS350 Serial Label		1
87	1136841	Label, Recycling		1
52	1088279	Carton insert		2
53	1088272	Carton insert		1
54	1156167	Carton, shipper cover Reliant 350		1
55	1088273	Carton insert		1
56	1079691	Carton box for battery		2
57	1144401	Carton box Reliant 350		1
58	1088278	Carton insert		1
59	40131X044	Carton box for cable		1
60	1020635	Plastic bag		1
61	SP1078306	Bracket, Wall Mount Charger - Electric Only <i>Replace 1078306</i>		1
62	1078985	User manual for RPS350 (2010)		1
63	1079135	Cord EU electric only (for Charger)		1
65	10369X000	Key 3/16"		1
66	1078274	Charger RPS350-1E		1
67	1115717	Packaging Reliant 350		1
68	1115718	Packaging Reliant 350		2
71	1144402	Carton reinforcement for packaging Reliant 350		4
84	1079134	Cord UK electric only (for charger)		1

**RPS350-1E 2010-03-04=>**

<b>Pos.</b>	<b>Part number</b>	<b>Description</b>	<b>Valid from → until</b>	<b>Qty</b>
86	1134846	User manual Reliant 350		1
88	1076513	Card "vigilance"		1

**RPS350-1E =>2010-03-03**



ISPS1559265 ~ rps350-1e-r.dwg

Pos.	Part number	Description	Valid from → until	Qty
1	1078973	Cross Support		1
2	1095671	Leg Single		2
3	1097074	Mast Assembly		1
4	1156179	Shroud, portable overhead lift w/ footrest <i>Replace 1078294</i>		1
5	1078979	Bolt Hex. Hd. 1/2"-13x21/4"lg		1
6	1068305	Washer - 1/2"		2
7	1062419	Bushing Flanged		4
8	1065214	Washer 3/8 X 5/8 X 1/32		6
9	1062424	Screw 1/2" x 5"		2
10	1065216	Locknut 3/8-16		2
11	1123560	3" Castor - Front		2
12	1123539	Castor 5" Swivel With Brake		2
13	1073884	Screw Hex HD		2
14	1014371	Lockwasher 1/2 "		2
15	1065215	Screw Buttonhead		4
16	1065152	Reliant Tie Rod		2
17	1029134	Screw Shoulder		1
18	1064122	Spring		1
19	1078287	Handle/Leg Spreader Pole		1
20	1078289	Mounting Handle Reliant450		1
21	1032246	Action Black FoamHandgrip		1
22	1079137	Low Base		2
23	1079136	Cover Leg		2
24	1070803	Knee pad		1
25	1097071	Mounting Pad		1
26	1025704	Washer Flat (1/16" x5/8")		6
27	1071955	Screw 5/16" x 3/4"		4
28	1065360	End Cap		1
29	1064455	Screw 3/8" x 1 3/4"		2
30	1064267	Locknut 5/16"		2
32	1070176	Handle Bushing		4

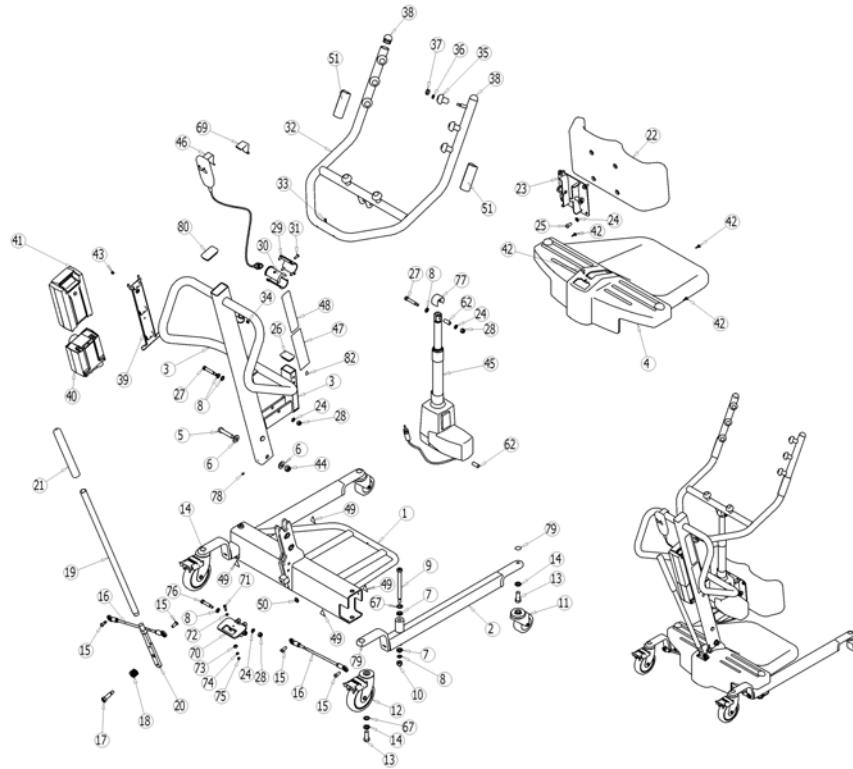


**RPS350-1E =>2010-03-03**

Pos.	Part number	Description	Valid from → until	Qty
33	1071834	Horn Bracket		1
34	1156173	Bushing, horn Reliant 350		2
35	1007269	Screw Button Head (1/4-20 x 5/8)		8
37	12642X000	Screw (8-15 x 5/8)		1
38	1025195	Locknut 1/4-20		10
39	1049527	Washer Nylon Black(25/64 x 3/4 x 1/16")		2
40	1009838	Screw Button Head Socket(1/4-20 x 3/4")		2
42	1070180	Bushing Drive Lift		2
43	1071832	Bracket Drive (Upper)		1
44	1071833	Bracket drive bottom.		1
47	1070177	Reliant Hook Knob		8
48	SP1522937	Locknut (5/16-18) <i>Replace 1028769</i>		8
49	1070902	Reliant Hook Cap		8
50	1071249	Ball Plug (1-1/4")		2
51	1078284	Bracket battery electric only		1
52	1078275	Controller(ElectricOnly)		1
53	1078276	Battery Pack(ElectricOnly)		2
54	1023632	Clip Shroud		4
55	1078980	Screw Phillips Head (10-24 x 3/16)		3
56	1078981	Nut Nyloc 1/2"-13		1
57	1078974	Actuator ReliantRSP350-1E		1
58	1078283	Hand Control REL450		1
59	1073699	Logo Tranfer		1
60	1073705	Warning Sticker		2
61	1079658	RPS350 Serial Label		1
62	1079112	Label "Attention"		4
63	1079113	Label "year of production"		2
64	1076388	Grip Pad		2
65	1070969	Reliant ProtectivePadding		1
78	1064443	Bush		2
84	1167425	Label, mini manual label, Reliant 350 EU <i>Replace 1079655</i>		1
89	1136841	Label, Recycling		1
91	1026174	Washer 1/2" x 7/8" x3/64"		2
93	1152416	Cap clip rubber grey		1
66	1088279	Carton insert		2
67	1088272	Carton insert		1
68	1144403	Carton box for packaging Reliant 350		1
69	1088273	Carton insert		1
70	1079691	Carton box for battery		2
71	1144401	Carton box Reliant 350		1
72	1088278	Carton insert		1
73	40131X044	Carton box for cable		1
74	1020635	Plastic bag		1
75	SP1078306	Bracket, Wall Mount Charger - Electric Only <i>Replace 1078306</i>		1
76	1078985	User manual for RPS350 (2010)		1
77	1079135	Cord EU electric only (for Charger)		1
79	10369X000	Key 3/16"		1
80	1078274	Charger RPS350-1E		1
81	1079134	Cord UK electric only (for charger)		1
82	1078986	User manual Reliant 350 Sueden, Finlande, Norway		1
83	1076513	Card "vigilance"		1
86	1115716	Packaging Reliant 350		1
87	1115717	Packaging Reliant 350		1

## RPS350-1E =>2010-03-03

Pos.	Part number	Description	Valid from → until	Qty
88	1115718	Packaging Reliant 350		2
90	1134846	User manual Reliant 350		1
92	1144402	Carton reinforcement for packaging Reliant 350		4



ISPS1556549 ~ rps350-1fr.dxf

Pos.	Part number	Description	Valid from → until	Qty
1	1147175	CBE WLDMT support cross w/o footrest		1
2	1095671	Leg Single		2
3	1156181	Asm, handle lift 350 w/tape		1
4	1156179	Shroud, portable overhead lift w/ footrest		1
5	1078979	Bolt Hex. Hd. 1/2"-13x21/4"lg		1
6	1068305	Washer - 1/2"		2
7	1062419	Bushing Flanged		4
8	1065214	Washer 3/8 X 5/8 X 1/32		7
9	1062424	Screw 1/2" x 5"		2
10	1065216	Locknut 3/8-16		2
11	1155118	Castor 3" Swivell		2
12	1123539	Castor 5" Swivel With Brake		2
13	1073884	Screw Hex HD		4
14	1014371	Lockwasher 1/2 "		4
15	1155720	Screw, 5/16-18 X-81 soc but hd cap w/patch		4
16	1065152	Reliant Tie Rod		2
17	1029134	Screw Shoulder		1
18	1064122	Spring		1
19	1078287	Handle/Leg Spreader Pole		1
20	1156176	Tbk wldmt, mtg handle		1
21	1032246	Action Black FoamHandgrip		1
22	1070803	Knee pad		1
23	1097071	Mounting Pad		1
24	1025704	Washer Flat (1/16" x5/8")		8
25	1071955	Screw 5/16" x 3/4"		4
26	1065360	End Cap		2
27	1064455	Screw 3/8" x 1 3/4"		2
28	1064267	Locknut 5/16"		4
29	1071834	Horn Bracket		1
30	1156173	Bushing, horn Reliant 350		2
31	1007269	Screw Button Head (1/4-20 x 5/8)		4

**RPS350-1FR**

Pos.	Part number	Description	Valid from → until	Qty
32	1156174	lsg wldmnt, horn		1
33	12642X000	Screw (8-15 x 5/8)		1
34	1025195	Locknut 1/4-20		4
35	1070177	Reliant Hook Knob		8
36	SP1522937	Locknut (5/16-18) <i>Replace 1028769</i>		8
37	1070902	Reliant Hook Cap		8
38	1071249	Ball Plug (1-1/4")		2
39	1078284	Bracket battery electric only		1
40	1156165	Controller Linak for Reliant 350 FR		1
41	1078276	Battery Pack(ElectricOnly)		1
42	1023632	Clip Shroud		4
43	1078980	Screw Phillips Head (10-24 x 3/16)		3
44	1078981	Nut Nyloc 1/2"-13		1
45	1156180	Actuator Linak for Reliant 350		1
46	1078283	Hand Control REL450		1
47	1171742	Label, mini manual label, Reliant 350 French		1
48	1073705	Warning Sticker		1
49	1079112	Label "Attention"		4
50	1079113	Label "year of production"		2
51	1076388	Grip Pad		2
62	1064443	Bush		2
67	1026174	Washer 1/2" x 7/8" x3/64"		4
69	1152416	Cap clip rubber grey		1
70	1155352	WLDMT, Index Plate		1
71	1155353	Screw 1/4X51 SOC HDSHOULDER		1
72	1155354	Washer 270 X 400X0165/036 plain		1
73	1155138	Roller index plate		1
74	1155355	Washer 210X400X0.65/036 plain		1
75	1155356	Nut 10-32 lock w/nylon		1
76	1031665	Screw 3/8 x 1 1/2"		2
77	1155357	Cap actuator		1
78	1155358	Screw 8-15 X 250 ph panhd tap		1
79	1155117	Mylar castor bolt		4
80	1065361	End Cap		1
82	1136841	Label, Recycling		1
52	1088279	Carton insert		2
53	1088272	Carton insert		1
54	1156167	Carton, shipper cover Reliant 350		1
55	1088273	Carton insert		1
56	1079691	Carton box for battery		1
57	1144401	Carton box Reliant 350		1
58	1088278	Carton insert		1
59	40131X044	Carton box for cable		1
60	1020635	Plastic bag		1
61	1078985	User manual for RPS350 (2010)		1
63	10369X000	Key 3/16"		1
64	1115717	Packaging Reliant 350		1
65	1115718	Packaging Reliant 350		2
68	1144402	Carton reinforcement for packaging Reliant 350		4
81	1134846	User manual Reliant 350		1
83	1076513	Card "vigilance"		1
84	1155873	Cord EU electric only (for Controller)		1
85	1484686	Sling Stand Assist M, Solid		1





Yes, you can.®



---

**Belgium & Luxemburg:**

Invacare nv, Autobaan 22, B-8210 Loppem  
Tel: (32) (0)50 83 10 10, Fax: (32) (0)50 83 10 11  
belgium@invacare.com / www.invacare.be

**Denmark:**

Invacare A/S, Sdr. Ringvej 37, DK-2605 Brøndby  
Tel: (45) (0)36 90 00 00, Fax: (45) (0)36 90 00 01  
denmark@invacare.com / www.invacare.dk

**Deutschland:**

Invacare Aquatec GmbH, Alemannenstraße 10, D-88316 Isny  
Tel: (49) (0)75 62 7 00 0, Fax: (49) (0)75 62 7 00 66  
info@invacare-aquatec.com / www.invacare-aquatec.de

**European Distributor Organisation:**

Invacare, Kleiststraße 49, D-32457 Porta Westfalica  
Tel: (49) (0)57 31 754 540, Fax: (49) (0)57 31 754 541  
edo@invacare.com / www.invacare.eu.com

**España:**

Invacare SA, c/Areny s/n, Polígon Industrial de Celrà, E-17460 Celrà (Girona)  
Tel: (34) (0)972 49 32 00, Fax: (34) (0)972 49 32 20  
contactsp@invacare.com / www.invacare.es

**France:**

Invacare Poirier SAS, Route de St Roch, F-37230 Fondettes  
Tel: (33) (0)2 47 62 64 66, Fax: (33) (0)2 47 42 12 24  
contactfr@invacare.com / www.invacare.fr

**Ireland:**

Invacare Ireland Ltd, Unit 5 Seatown Business Campus, Seatown Road, Swords, County Dublin - Ireland  
Tel: (353) 1 810 7084, Fax: (353) 1 810 7085  
ireland@invacare.com / www.invacare.ie

**Italia:**

Invacare Mecc San s.r.l., Via dei Pini 62, I-36016 Thiene (VI)  
Tel: (39) 0445 38 00 59, Fax: (39) 0445 38 00 34  
italia@invacare.com / www.invacare.it

**Nederland:**

Invacare BV, Celsiusstraat 46, NL-6716 BZ Ede  
Tel: (31) (0)318 695 757, Fax: (31) (0)318 695 758  
nederland@invacare.com, csede@invacare.com / www.invacare.nl

**Norge:**

Invacare AS, Grensesvingen 9, Postboks 6230, Etterstad, N-0603 Oslo  
Tel: (47) (0)22 57 95 00, Fax: (47) (0)22 57 95 01  
norway@invacare.com, island@invacare.com / www.invacare.no

**Österreich:**

Invacare Austria GmbH, Herzog Odilostrasse 101, A-5310 Mondsee  
Tel: (43) 6232 5535 0, Fax: (43) 6232 5535 4  
info-austria@invacare.com / www.invacare.at

**Portugal:**

Invacare Lda, Rua Estrada Velha, 949, P-4465-784 Leça do Balio  
Tel: (351) (0)225 1059 46/47, Fax: (351) (0)225 1057 39  
portugal@invacare.com / www.invacare.pt

**Sverige & Suomi:**

Invacare AB, Fagerstagatan 9, S-163 91 Spånga  
Tel: (46) (0)8 761 70 90, Fax: (46) (0)8 761 81 08  
sweden@invacare.com, finland@invacare.com / www.invacare.se

**Switzerland:**

Invacare AG, Benkenstrasse 260, CH-4108 Witterswil  
Tel: (41) (0)61 487 70 80, Fax: (41) (0)61 487 70 81  
switzerland@invacare.com / www.invacare.ch

**United Kingdom:**

Invacare Limited, Pencoed Technology Park, Pencoed, Bridgend CF35 5AQ  
Switchboard Tel: (44) (0)1656 776200, Fax: (44) (0)1656 776201  
Customer services Tel: (44) (0)1656 776222, Fax: (44) (0)1656 776220  
uk@invacare.com / www.invacare.co.uk