



Yes, you can.®



KOMPATIBILITETS KATALOG 2011



Confidence in posture solutions

Indholdsfortegnelse

➤ Hvordan bruger du kataloget	3
➤ Produktpræsentation	
Produktoversigt	4
Størrelser og tilpasning	5
Farver	7
➤ Fælles dele	
Kompatibilitetsliste over "fælles dele"	8
Armlæn	12
Rygge	16
Sædepuder	20
Benstøtter og fodplader	22
Forhjul	26
Drivhjul	29
Andet	33
➤ Individuelle dele	
Rea™ Azalea ®	35
Rea™ Bellis ™	45
Rea™ Focus ™	51
Rea™ Spirea ² ®	57
Rea™ Spirea ³ ®	61
Rea™ Spirea ⁴ ®	65
Invacare® XLT .	72

Indledning

Kompleksiteten i vore produkter er steget gennem årene og det kan være svært at bevare overblikket over vores brede produktportefølje. Vi ønsker at sænke kompleksiteten i vores produktportefølje og derved gøre det nemmere for vores kunder. Vi har på samme måde bemærket, at vi ofte bliver spurgt til, hvilket tilbehør der kan bruges på hvilke kørestole og hvilke dele som kan tages fra én kørestol og bruges på en anden, altså hvor er vores produktportefølje kompatibel? (dvs. dele som passer på to eller flere kørestole)

Derfor har vi nu valgt, at introducere dette kompatibilitetskatalog. Formålet med kataloget er at beskrive vores produktportefølje samt at give et overblik over kompatibiliteten på vores nuværende komfortstole; **Rea™ Azalea®** og **Rea™ Bellis™** samt på vores medium aktive kørestole; **Rea® Focus™**, **Rea™ Spirea2®**, **Rea™ Spirea3®** og **Rea™ Spirea4®_{NG}** og Invacares nye aktive kørestol **Invacare® XLT**.

Sådan bruger du kataloget:

Produkt præsentation

Her finder du en præsentation af alle Invacare® Rea's kørestole samt **Invacare® XLT**, som er produceret til det danske marked.

Fælles dele

Kapitlet indeholder en kompatibilitetsliste som er opbygget over hele produktporteføljen således, at der nemt kan skabes overblik over hvilke dele som passer på hvilke kørestole samt hvilke dele der er kompatible med hinanden.

Alle kompatible dele er beskrevet med artikelnummer og billede i det følgende kapitel.

Individuelle dele

Dette kapitel indeholder en kort præsentation af alle kørestolene efterfulgt af en beskrivelse, som viser, hvorledes de enkelte stole er blevet målt.

Du vil ligeledes finde en tabel over sædehøjder samt en præsentation af alle de dele, som kun passer på en bestemt kørestol, dvs. som ikke er kompatible med resten af produktporteføljen.

Produktpræsentation

Produktoversigt



Wheelchair version		Self propelling	Transit version.	Tiltable seat	Max user weight kg	Angle adj. frame	Reclining backrest	Angle adj backrest
Rea™ Azalea ® / Azalea ® Max	Passive wheelchair with adaptable seating	×	×	×	135 / 180	-	×	-
Rea™ Bellis ™ / Bellis ™ 150	Passive wheelchair with adaptable seating	×	×	×	125 / 150	-	×	-
Rea™ Azalea ® Base	Passive wheelchair	×	×	×	135	-	-	×
Rea™ Focus ™ / Focus ™ 150	Medium active wheelchair with extensive adjustability	×	-	-	135 / 150	×	× / -	×
Rea™ Spirea ²® / Rea™ Spirea ²® T	Medium active wheelchair with basic adjustments	×	×	-	125	×	-	-
Rea™ Spirea ³®	Medium active wheelchair with extensive adjustability	×	-	-	135	×	-	×
Rea™ Spirea ⁴®	Medium active wheelchair with extensive adjustability	×	×	-	135	×	-	×
Invacare® XLT 75/90 / XLT ™ Swing	Medium active wheelchair with extensive adjustability	×	-	-	135	×	-	×
Invacare® XLT ™ Max	Medium active wheelchair with extensive adjustability	×	-	-	180	×	-	×



Størrelser og tilpasning

All sizes. For specific information, see under each product chapter, "Individual Parts"

Seat widths in mm				
Azalea®	Bellis™	Focus™	Spirea ^{2/3/4} ®	XLT ₁
+0 / +50 / +100 mm adj.	± 20 mm adj.	+ 25 mm adj.	-	-
				330 *
			355 ****	355
340	410	380	380	380
390	460	405	405	405
440	510	430	430	430
490		455	455	455
550 **		480	480	480
610 **		505	505	505 *
		530 ^		555 ***
				605 ***

** Azalea Max ^ Focus 150 **** = Spirea⁴ * XLT Swing + XLT Max *** XLT Max

Seat depths in mm				
Azalea®	Bellis™	Focus™	Spirea ^{2/3/4} ®	XLT ₁
+70 mm adj.	+120 mm adj.	+75 mm adj.	-50 mm adj.	- 40 mm adj.
380	420	Low 375cm	400 mm	400
430		High 425cm	450 mm	450
500			Adj 400 - 500 ***	500 ^^
530 **				550 *
600 **				600 *

** Azalea Max *** Spirea⁴ ^^ XLT + XLT Max * XLT Max

Possible seat heights in mm				
Azalea®	Bellis™	Focus™	Spirea ^{2/3/4} ®	XLT ₁
400 / 450 / 500	360-485	Low 365-490	380-505 *	Swing 380-520
		High 415-540		75/90 400-520
				Max 440-520

* Spirea⁴ = 380 - 510

Backrest heights in mm						
Description	Azalea®	Bellis™	Focus™	Spirea ^{2/3/4} ®	XLT ₁	XLT ₁ Max
Backrest plate	610 + 75 + 50	600 + 75 + 50				
Tension adjustable	560 **	550				
Angle adjustable			380 - 460	350-390/ 400-480 *	300 - 490	400 - 490
				350-480/ 480-550 ^		
Fixed				380 - 460 ***	200 - 350	
Reclining			610			
Biangular			405 - 505			

** Azalea Base backrest poles, height 550 mm * Spirea³ *** Spirea² + Spirea⁴ ^ Spirea⁴

Størrelser og tilpasning

Backrest angles					
	Azalea®	Bellis™	Focus™	Spirea ^{2/3/4} ®	XLT™
Backrest reclining	0-30°	0-30°	0-30°	-	-
Backrest Angle adj.	0-30° (Base)	-	-6° - +13°	0 ** / +12° ***	±10°
	-	-	-	-6° - +13° *	-
Biangular Lower	-	-	-6° - +13°	-	-
Biangular Upper	-	-	+/- 25°	-	-

* Spirea⁴ ** Spirea² *** Spirea³

Seat angle					
Description	Azalea®	Bellis™	Focus™	Spirea ^{2/3/4} ®	XLT™
Tiltable	- 1° - + 20° / 25°	- 1° - + 15°	-	-	-
Adjustable	-	-	0 - + 6°	0 - + 6°	0 - + 14°

Legrests length in mm Seat footplate (without seat cushion). Total seat depth						
Description	Azalea®	Bellis™	Focus™	Spirea ^{2/3/4} ®	XLT™	
Fixed hangers and footplates 80° with short tube	300 - 420	320 - 440	320 - 440	320 - 440	290 - 410 *	
Fixed hangers and footplates 80° with long tube	390 - 510	410 - 530	410 - 530	410 - 530	390 - 510 *	
Fixed hangers and footplates 90° with short tube	290 - 410	290 - 410	340 - 460	-	280 - 360 *	
Fixed hangers and footplates 90° with long tube	400 - 520	400 - 520	450 - 570	-	400 - 490 *	
Angle adjustable hanger and footplates						
With short tube	300-420	320-440	320-440	320-440	290-410 *	
With long tube	390-510	410-530	410-530	410-530	400-510 *	
Central footplate	26-53	26-53	-	-	-	
Legrest amputee	250	250	250-320	250-330	250-310 *	
Plaster legrest	-	-	570-730	620-780	-	
Footbow, short	-	-	-	-	380-400 **	360-380 ****
Footbow, long	-	-	-	-	410-480 **	390-450 ****
Footbow, rigid XLT Max	-	-	-	-	380-480	
Footrest One piece, Flip-up	-	-	-	-	380-480 ***	360-450 ****
Footrest One piece, short tube	-	-	-	-	280-400 *	
Footrest One piece, long tube	-	-	-	-	400-490 *	
Footrest High mounted	-	-	-	-	270-370 ***	270-350 ****








* XLT Swing ** XLT Active + XLT Max *** XLT Active **** XLT Dynamic

All Colours Upholstery

Colour	Colour code	Azalea®	Bellis™	Focus™	Spirea ^{2/3/4} ®	XLT ₁
 Grey Dartex	TR23	x	x	x	-	-
 Grey Plush	TR32	x	x	x	x*	-
 Black Jemina	TR18	-	-	x	x	x

* Not for Spirea⁴

All Colours Frame

Colour	Colour code	Azalea®	Bellis™	Focus™	Spirea ^{2/3} ®	XLT ₁	Spirea ⁴ ®
 Pearl Grey	0515	x	x	x	x	x	-
 Shining Blue	0507	-	-	-	-	x	-
 Anthracite Bl.	0514	-	-	-	-	x	-
 Red	0501	-	-	-	-	x	-
 Orange	0518	-	-	-	-	x	-
 Bl. Titanium	0518	-	-	-	-	x	-
 Slate Grey	0615	-	-	-	-	-	x

Kompatibilitetsliste over “fælles dele”

Backrest type	Azalea®	Bellis™	Focus™	Spirea ^{2/3/4} ®	XLT™
Backrest plate	x *	x	i	-	-
Laguna backrest plate	-	-	i	-	-
Foldable backrest	-	-	-	-	x
Velcro adjustable biangular	-	-	i	-	-
Velcro adjustable	x	x	x	i	x
Sling upholstery	-	-	i	i	-
Rigid back (Special)					x **

* Not for Azalea® Max

** Not for XLT Max

Backrest Cover and Cushion Type	Azalea®	Bellis™	Focus™	Spirea ^{2/3/4} ®	XLT™
Cover Thin	x *	x	x	-	-
Cover Lateral	x	x	-	-	-
Mistral 2	x *	x	x	-	-
Laguna 2	x	x	x	-	-
Passad 2	x *	x	-	-	-
Shoulder High	x *	x	-	-	-

* Not for Azalea® Max

Backrest options/ pushhandles	Azalea®	Bellis™	Focus™	Spirea ^{2/3/4} ®	XLT™
Backrest bar	-	-	x	x	-
Push bar	x	x	-	-	-
Pushhandles fixed	-	-	i	i	i
Pushhandles external long grip	-	-	x	x	i
Pushhandles external short grip	-	-	x	x	i
Pushhandles external +10 cm	-	-	x	x *	-
Push handles braced	x	x	-	-	-
Push handles height adjustable	-	-	-	-	i

* Spirea⁴

Seat type	Azalea®	Bellis™	Focus™	Spirea ^{2/3/4} ®	XLT™
Firm seat, depth adjustable	i	i	i	-	-
Sliding seat	i	-	-	-	-
Sling seat	-	-	-	x	x *
Velcro adjustable seat	-	-	-	x	x

* Not for XLT Max

Seat Cushions	Azalea®	Bellis™	Focus™	Spirea ^{2/3/4} ®	XLT™
Flo-Shape	x	x	-	-	-
Standard flat	-	-	x	x	x
Mistral 2 layer	-	-	i	-	-
Inlay cushion	-	i	i	-	-
Flo-tech Contour	-	-	-	-	x *

* XLT Max

Legrests / Hangers	Azalea®	Bellis™	Focus™	Spirea ^{2/3/4} ®	XLT™
Central legrest, incl calf pad, footrest and attachment	x *	x	-	-	-
Hanger angle adjustable incl calf support	x	x	x	x	x **
Hanger fixed 80 deg	x *	x	x	x	x **
Hanger fixed 90 deg	x *	x	x	-	x **
Legrest amputee	x *	x	x	x	i
Plaster legrest	-	-	x	x	-
Legrest attachment fixed	i	-	i	i	i
Legrest attachment width adjustable	i	i	-	-	-

* Not for Azalea® Max

** XLT Swing

Kompatibilitetsliste over “fælles dele”

Footrests	Azalea®	Bellis™	Focus™	Spirea ^{2/3/4} ®	XLT™
Footrest one piece	x *	-	x	x	i
Fixed footplate	x *	x	x	x	x **
Adjustable footplate angle/depth	x	x	x	x	x **
Adjustable footplate angle	x *	-	-	-	x **
Footbow rigid (XLT 75/90 & XLT Max)	-	-	-	-	i
Footrest high mounted (XLT 75/90)	-	-	-	-	i

* Not for Azalea® Max ** XLT Swing

Armrest Attachment	Azalea®	Bellis™	Focus™	Spirea ^{2/3/4} ®	XLT™
Detachable	x	x	i	x	i
Flip up	-	i	i	i	i

Side support/Armrest lower part	Azalea®	Bellis™	Focus™	Spirea ^{2/3/4} ®	XLT™
Height adjustable, detachable	x	x	x	x	-
Height adjustable, detachable Rio	-	-	x	x	x
Height adjustable, flip up	-	i	-	-	x *
Sideguard	-	-	-	-	i
Mudguard	-	-	-	-	i
Armrest padded	x	-	-	-	-

* Not for XLT Max

Armrest Pads	Azalea®	Bellis™	Focus™	Spirea ^{2/3/4} ®	XLT™
Short Narrow	-	x	x	x	x
Long Narrow	-	x	x	x	x **
Long Narrow padded	-	-	-	-	-
Long wide padded	x *	-	-	-	-
Long narrow Nice	-	i	-	-	-
Long wide Nice	i	-	-	-	-
Long wide	-	-	x	-	-
Height adjustable Standard (Duck tail)	i	-	-	-	-
Hemiplegics wide	-	-	x	x	-
Hemiplegics narrow	x	x	-	-	x **

* Only for Azalea Assist

** Not for XLT Max

Seating options	Azalea®	Bellis™	Focus™	Spirea ^{2/3/4} ®	XLT™
Abduction cushion in Dartex	x	x	-	-	-
Incontinence cover for seatcushion	x	x	-	-	-

Backrest Options Type	Azalea®	Bellis™	Focus™	Spirea ^{2/3} ®	XLT™
Neckrest depth adjustable	x	x	x	x	i
Headrest with cheek support	x	x	-	-	i
Headrest depth / width adjustable	x	x	x	x	i
Headrest / Neckrest cover	x	x	x	x	-
Trunk support multi adjustable with standard arm	x *	x	-	-	-
Trunk support multi adjustable with extended arm	x *	x	-	-	-
Trunk support with standard arm	x *	x	i	-	-
Trunk support with extended arm	x *	x	-	-	-
Trunk support, swing away	x *	x	-	-	-
Trunk support multi adjustable swing away	x *	x	-	-	-
Lumbar support cushion	x	x	-	-	-
Wedges	x	x	x	-	x **

* Not for Azalea® Max

** Not for XLT Max

Kompatibilitetsliste over “fælles dele”

Legrest / Footrest Options Type	Azalea®	Bellis™	Focus™	Spirea ^{2/3/4} ®	XLT™	XLT. Max
Heel straps	x **	x	x	x	x	-
Calf pads	x	x	x*	x*	x*	-
Calf straps	-	-	x	-	x	-
Footplate extender	x **	x	x	x	-	-

* Thinner pad ** Not for Azalea® Max

Armrest Options Type	Azalea®	Bellis™	Focus™	Spirea ^{2/3/4} ®	XLT™
Hemiplegics	x *	x	x	x	x **
Side support cover	x	x	-	-	-
Cushion to sidesupport	x	x	-	-	-

* Not for Azalea® Max ** Not for XLT Max

Castor Attachment Type	Azalea®	Bellis™	Focus™	Spirea ^{2/3/4} ®	XLT™
Chassis extender	i	-	-	-	-
Castor attachment fixed	x	x	i	i	i
Castor attachment quick release	-	i	-	-	-

Front Castors	Azalea®	Bellis™	Focus™	Spirea ^{2/3/4} ®	XLT™
75 x 24 medium hard	-	-	-	-	x ****
100 x 27 medium hard	-	-	-	-	x ****
125 x 27 medium hard	-	x	x	x	x ****
140 x 37 soft	x	x	x	x	x
150 x 27 medium hard	x *	x	x	x	x
150 x 30 soft	x *	x	x	x	x
150 x 32 pneumatic	-	x	x	x	x
180 x 40 pneumatic	-	x	x	x **	x
180 x 40 soft	-	x	x	x **	x
200 x 27 medium hard	x	x	x	x	-
200 x 30 soft	x *	x	x	x	-
200 x 32 pneumatic	x *	x	x	x	-
200 x 45 medium hard	x	x	x	x	-
200 x 50 pneumatic	-	x	x	x	-

* Not for Azalea® Max ** Not for Spirea⁴ *** Not for XLT Max

Rear Wheel Axel	Azalea®	Bellis™	Focus™	Spirea ^{2/3/4} ®	XLT™
QR	x	x	x	x	x
Camber	-	-	i	i *	i

* Spirea³ + Spirea⁴

Rear Wheels Size/Type	Azalea®	Bellis™	Focus™	Spirea ^{2/3/4} ®	XLT™
16"	x	x	-	x *	-
20"	-	x	x	x ^	-
22"	x	x	x	x	x ****
24"	x	x	x	x	x
24" basic	x ^^	-	-	x **	-
25"	-	-	-	-	x ****
26"	-	-	-	-	x ****

^^ Not for Azalea® Max * Spirea² + Spirea⁴ ** Spirea³ + Spirea⁴ ^ Not for Spirea⁴ *** Not for XLT Max

Tyre Type	Azalea®	Bellis™	Focus™	Spirea ^{2/3/4} ®	XLT™
Tyres pneumatic non marking	x *	x	x	x	x **
Tyres pneumatic profiled	x *	x	x	x	x **
Tyres solid	x	x	x	x	x
Tyres puncture proof	x *	x	x	x	x **
Tyres low profile	x *	x	x	x	x/i **
Tyres low profile Black Marathon Evol.	-	-	-	-	x

* Not for Azalea® Max ** Not for XLT Max

Kompatibilitetsliste over “fælles dele”

Handrim Type	Azalea®	Bellis™	Focus™	Spirea ^{2/3/4} ®	XLT™
Handrim aluminium	x	x	x	x	x
Handrim stainless	x */**	x *	x *	x *	x
Handrim plastic coated	x **	x	x	x	x
Handrim foam coated	x */**	x *	x *	x *	x
Handrim black grip	x */**	x *	x *	x *	x

* Not available as std from 1:st of April 2010 ** Not for Azalea® Max

Castor Spokeguard	Azalea®	Bellis™	Focus™	Spirea ^{2/3/4} ®	XLT™
Spokeguard Frost	x	x	x	x	x

Safety	Azalea®	Bellis™	Focus™	Spirea ^{2/3/4} ®	XLT™
Standard brakes (Malta)	i	i	x	x	i
Brake lever extension	-	-	x	x	x
One arm brake	-	x	x	x	x **
Assistant operated drum brake 22" / 24"	x	x	x	x	x ***
Assistant operated drum brake 16"	x	x	-	x *	-
Pelvic belt	x	x	x	x	x
Reflectors kit (wheels and chassis)	x	x	x	x	x
Auto lock armrest	x	x	x	x	x
Anti tip device	i	x	x	x	i

* Spirea² + Spirea⁴

** Not for XLT Max

*** Only 24" wheels for XLT Max

Accessories	Azalea®	Bellis™	Focus™	Spirea ^{2/3/4} ®	XLT™
Table tray fixed	x	x	x	x	x **
Table tray swing away	x *	-	-	-	-
Pump	x	x	x	x	x
Cane holder	i	i	i	i	i

* Not for Azalea® Max

** Not for XLT Max

x	Same part
-	Not existing
i	Exists on individual product level

For the parts that are the same, see under next chapter for more info, for those parts that are individual for one wheelchair, see under specific product chapter

Detachable armrests



Height adjustable, light, Rio



Height adjustable, long side plate

Flip-up armrests



Height adjustable for:
Rea™ **Focus**™ and Rea™ **Spirea**^{2/3}®

Armrests to the different wheelchair models*

Description	Azalea®	Bellis™	Focus™	Spirea ^{2/3/4} ®	XLT™
Height adjustable, Rio	-	-	x**	x	x
Height adjustable, long side plate	x	x	x	x	x***
Height adjustable flip up	-	i	x**	x^	x***
Height adjustable "comfort"	-	-	-	x^^	-

** Not for Focus™ 150. ^ Not for Spirea4 *** Not for XLT Max ^^ Only for Spirea4

* Note that all front attachments for all armrest attachments have the same insert. That means that all armrests could be inserted in all attachments. However we recommend using of the original version for the respective wheelchair product as stated below.

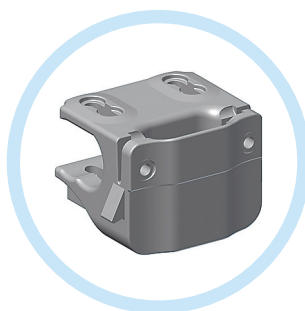
Armrest attachments

Description	Azalea®	Bellis™	Focus™	Spirea ^{2/3/4} ®	XLT™
Detachable	5106289		1431721	1434680	-
Flip-up, front	-	i			-
Flip-up, rear	-	i	i	1435492	i

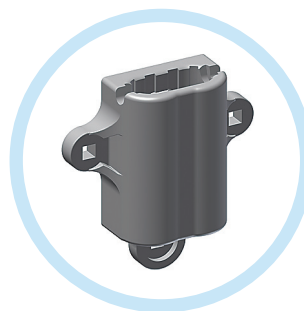
* Rear attachment to Flip up is always included in the chassie



Armrest attachment
Detachable and Flip-up
Rea™ **Spirea^{2/3/4}**®



Armrest attachment
Detachable and Flip-up
Rea™ **Focus**™



Armrest attachment
Detachable Rea™ **Comfort**™
Rea™ **Bellis**™

Armrest pads including poles

I435616	Short narrow left
I435615	Short narrow right
I435618	Long narrow left
I435617	Long narrow right
I518702	"Ducktail" pad left
I518701	"Ducktail" pad right
I445787	Cushion for side support left
I445786	Cushion for side support right
I415453	Side support Cover Dartex
I493220	Hemiplegics armrest left
I493219	Hemiplegics armrest right



Short narrow



Long narrow



"Ducktail" pad



Cushion for side support
2 cm thick



Side support Cover:



Hemiplegics

Armrest, lower part

Art.no.		Azalea®	Bellis™	Spirea ²¹³¹⁴ ®	XLT™
I415521	Height adjustable, longside plate left	x	x	x	x
I415520	Height adjustable, longside plate right	x	x	x	x
I435614	Height adjustable Flip up left	—	—	x*	x
I435613	Height adjustable Flip up right	—	—	x*	x

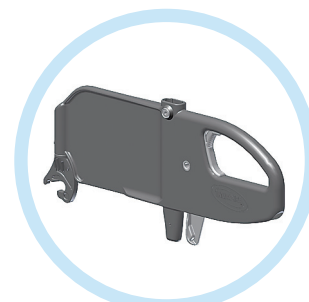
* Not for Spirea 4



Height adjustable, cpl.
light weight, Rio



Height adjustable
lower part



Height adjustable, lower part
Flip up

Armrests pads including poles

Description	Art.no.	
	Left	Right
Height adjustable Standard (Duck tail)	1451563	1451562
Long Wide	1427169	1427170
Padded	1492547	



Ducktail



Long wide



Padded

What armrest pad fits to what armrest

Description	Short narrow	Long narrow	Long shaped	Duck tail
Height adjustable, short side plate Rio	x	x	-	-
Height adjustable, long side plate	-	-	x	x
Height adjustable, flip up Bellis™	-	-	x	-
Height adjustable, flip up Spirea^{2/3}® / Focus™	-	-	-	-

Armrest Rio cpl

Description	Art.no.	Azalea®	Bellis™	Focus™	Spirea^{2/3/4}®	XLT™
Height adjustable short pad left	1435461	-	-	x	x	x
Height adjustable short pad right	1435460	-	-	x	x	x
Height adjustable long pad left	1435487	-	-	x	x	x *
Height adjustable long pad right	1435486	-	-	x	x	x *

* Not for XLT Max

Armrest Flip-up, Height adjustable cpl

Description	Art.no.	Azalea®	Bellis™	Focus™	Spirea^{2/3}®	XLT™
Height adjustable short pad left	1435459	-	-	x	x	x *
Height adjustable short pad right	1435458	-	-	x	x	x *
Height adjustable long pad left	1435489	-	-	x	x	x *
Height adjustable long pad right	1435488	-	-	x	x	x *

* Not for XLT Max

Armrest, Height adjustable cpl

Description	Azalea®	Bellis™	Focus™	Spirea^{2/3}®	XLT™
Height adjustable "ducktail" pad left			1517368 *		-
Height adjustable "ducktail" pad right			1517367 *		-

* Not for Azalea® Max

Backrests



Backrest plate with extension



Tension adjustable backrest



Velcro adjustable for biangular backrest angle

Backrest types and versions

Description	Azalea [®]	Bellis [™]	Focus [™]	Spirea ^{2/3/4} [®]	XLT [™]
Backrest plate for reclining backrest ***	x	x	i	-	-
Backrest tension adjustable for	x	x	x	-	-
Backrest cushion Passad 2 and Laguna					
Tension adjustable backrest for reclining backrest ***	x	x	-	-	-
Sling or Velcro adjustable for fixed backrest angle *	-	-	x	i	-
Sling or Velcro adjustable for adjustable backrest angle **	-	-	x	x	-
Velcro adjustable for biangular backrest angle	-	-	i	-	-
Velcro tension adjustable, fixed height, infinitely variable, angle adjustable, foldable and click in backrest	-	-	-	-	x
Velcro tension adjustable, fixed height, infinitely variable, angle adjustable, foldable and click in backrest	-	-	-	-	x

* = Not for Spirea³ ** = Only for Spirea³ and Spirea⁴ *** = Not for Azalea[®] Max

Backrest extension

Description	Art.no.	Azalea [®]	Bellis [™]	Focus [™]	Spirea ^{2/3/4} [®]
Extender backrest	I440147	390	410	—	—
Extender backrest	I440148	440	460	—	—
Extender backrest	I440149	490	510	—	—

Backrests cushions to fit below seat width (measurements in mm)

Description	Art.no			Models/Sizes			
Mistral 2	Dartex	Grey Plush	Jemima	Azalea®	Bellis™	Focus™	Spirea^{2/3}®
small	14301668	14301669		340 ***			
				390 ***		380	
medium	142460510	14305404		440 ***	410	430	
large	14246052	14305405		490 ***	460	480	
x-large	142460530	14305406			510	530	
Laguna fixed shape							
Minor	1508972	15100660		340			
xx-small	1439937						
x-small	1427118	1435796		390 ***		380 ****	
small	1427119	1435797		440 ***	410	430 ****	
medium	1427120	1435798		490 ***	460	480 ****	
large					510		
Azalea Max	1525073	1525074		550			
Azalea Max	1525075	1525076		610			
Passad 2							
x-small	1429271			390 ***			
small	1424647	1444329		440 ***	410	380-405****	
medium	1424649	1444330		490 ***	460	430-455****	
large	1429278	1444331			510	480-505****	
Shoulder high							
small	1444275			390 ***			
medium	1444276			440 ***	410		
large	1444277			490 ***	460		
x-large	1444278				510		
Backrest cover Thin							
xx-small		5106739-TR32	5106739-TR18			380	380
		5106740-TR32	5106740-TR18			405	405
x-small		1446512 *		390			
		5106741-TR32	5106741-TR18			430	430
small		1446513 *		440	410		
medium		5106742-TR32	5106742-TR18			455	455
large		1435742	1435523			480	480
		5106743-TR32	5106743-TR18				
x-large		1446522 *		490	460		
xx-large		1435743	1435524		510	530	
Backrest cover Lateral							
x-small	1508865	1444344		390			
small	1508866	1444345		440	410		
medium	1508867	1444346		490	460		
large	1508868	1444347			510		
Azalea Max	1526459	1526573		550			
Azalea Max	1526424	1526572		610			

* Includes velcro adapter 14305619 ** Not plush *** For +50 mm and +100 mm width, see individual parts **** For Focus see individual parts For XLT, see individual parts



What backrest cover and cushion fit what backrest base?

Description	Mistral 2	Laguna	Passad 2	Backrest cover
Backrestplate without extension	x	—	—	—
Backrestplate with extension	—	x	x	—
Plate Laguna	—	x	—	—
Velcro adjustable for fixed backrest angle	x	—	—	x
Velcro adjustable for adjustable backrest angle	x	—	—	x
Velcro adjustable for biangular backrest angle	—	—	—	x
Tension adjustable for reclining backrest	x	x	x	x

Backrest bar/Push handles (measurements in mm)

Description	Art.no.	Azalea [®]	Bellis [™]	Focus [™]	Spirea ^{2/3/4} [®]
Backrest bar	510061088-C9005	-	-	-	355 *
	5106399-C9005	-	-	380	380
	5221696-C9005	-	-	405	405
	5106331-C9005	-	-	430	430
	5106190-C9005	-	-	455	455
	1435484-9005	-	-	480	480
	5106191-C9005	-	-	50,5	50,5
	1435490-9005	-	-	530 Focus 150	-
Push handles rear mounted + attachment long grip	1434743	-	-	x	x
Push handles rear mounted + attachment short grip	1445825	-	-	x	x
Push handles rear mounted + attachment +10 cm	1445821	-	-	x	x *
Push bar	1444350	390	-	-	-
	5255136	440	410	-	-
	5255137	490	460	-	-
	5255138	-	510	-	-
High Push bar	1524533	550 **	-	-	-
	1524529	610 **	-	-	-
Push handles braced	1508953-0509	340	-	-	-
	1420007-0509	390	-	-	-
	1420008-0509	440	410	-	-
	1420009-0509	490	460	-	-
	1420010-0509	-	510	-	-
	1523947	550 **	-	-	-
	1523946	610 **	-	-	-

For XLT, see individual parts.

* Spirea⁴

** Azalea Max



Backrest bar



Push handles



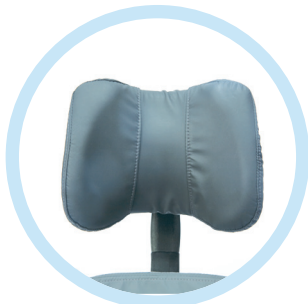
Push bar



Pushhandles braced

Neck- and Headrests	
Description	Art.no
Neckrest depth adjustable	1508848
Headrest depth / width adjustable	1420161
Headrest with cheek support	1446560

Cover Neck- and Headrests	
Description	Art.no.
Headrest cover	1518516
Neckrest cover	1518517



Neckrest, depth adjustable



Headrest depth / width adjustable



Headrest with cheek support



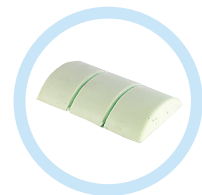
Cover for headrest

What neck-and headrest fit to what backrest base?

Description	Backrest Plate	Backrest Tension Adjustable	Backrest Plate Laguna	Velcro	Shaped Backrest
Neckrest depth adjustable	x	x	x	x	x
Headrest with cheek support	x	x	x	x	x
Headrest depth/width adjustable	x	x	x	x	x

Lumbar support cushion

Backrest options	Art.no.	Azalea®	Bellis™	Focus™	XLT™
Lumbar support cushion	5252527	x	x	-	-
Wedges	1435491	x	x	x	x*



Lumbar support cushion

* Not for XLT Max

Trunk support

Description	Art.no		Azalea®	Bellis™	Focus™	XLT™
	Left	Right				
Trunk support Multi adjustable with standard arm	1448692	1448693	x*	x	-	-
Trunk support Multi adjustable with extended arm	1484447	1484448	x*	x	-	-
Trunk support swingaway	1448697	1448698	x*	x	-	-
Trunk support swingaway	1497859	1497854	-	-	-	-
Trunk support with standard arm	1445798		x*	x	x	-
Trunk support Multi adjustable swing away	1530457	1530456	x*	x	-	-
	1530500	1530482	-	-	-	-
	1530502	1530501	-	-	-	x**
Trunk support with extended arm	1492608	1492609	x*	x	-	-

* Not for Azalea® Max

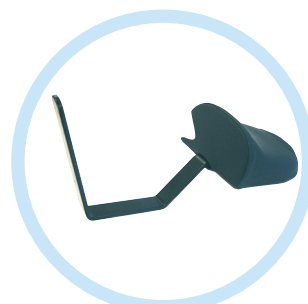
** Not for XLT Max



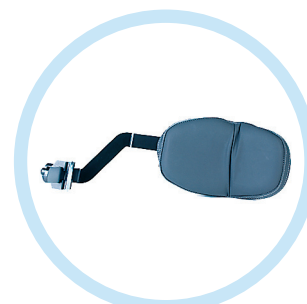
Trunk support Multi adjustable



Trunk support swingaway

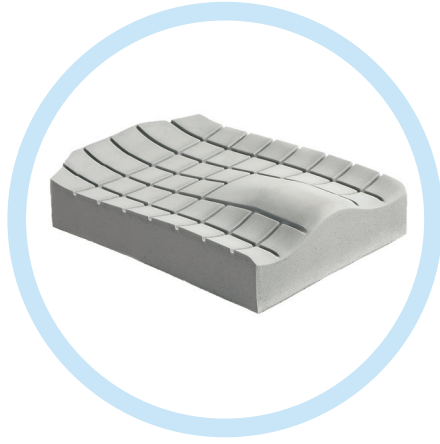


Trunk support

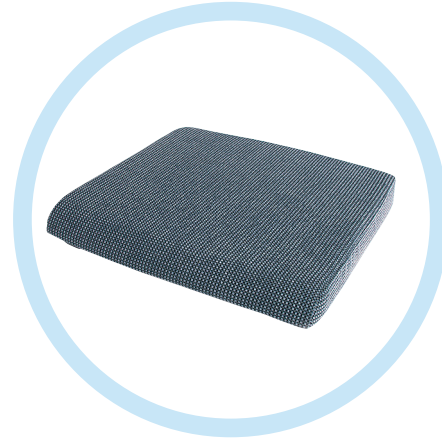


Trunk support with extended arm

Seat cushions



Seat cushion Flo Shape



Seat cushion Standard flat

Seat cushions to fit below seat width (measurements in mm)								
Description	Art.no.			Azalea [®] ****	Bellis [™]	Focus [™]	Spirea ^{2/3/4} ®	XLT [™]
	Jemima	Dartex	Grey Plush					
Flo Shape		1509920	1508976	340				
		1508053	1508054	390 **				
		1508055	1508056					
		1508055	1508056	440 **	410			
		1508057	1508058					
		1508057	1508058	490 **	460			
		1508057	1508058					
Standard seat cushion seat depth 40 cm		1508059	1508060		510			
	5104255-TR18		5104317-TR32				355 ***	355*
	5104317-TR18		5103179-TR32			380	380	380*
	5103179-TR18		5104262-TR32				405	405*
	5104262-TR18		5103180-TR32			430	430	430*
	5103180-TR18		5226509-TR32				455	455*
	5226509-TR18		5104269-TR32			480	480	480*
5104269-TR18		5104319-TR32				505	505*	
Standard seat cushion seat depth 450 mm	5104257-TR18		5104259-TR32				355 ***	355*
	5104319-TR18		5104264-TR32			380	380	380*
	5104259-TR18		5104266-TR32				405	405*
	5104264-TR18		5226510-TR32			430	430	430*
	5104266-TR18		5104271-TR32				455	455*
	5226510-TR18		1435445			480	480	480*
	5104271-TR18						505	505*
Standard seat cushion seat depth 50 cm	1435429					530		
	1512809							355*
	1495830							380*
	1495831							405*
	1495832							430*
	1495833						455 ***	455*
	1495834						480 ***	480*
1495835						505 ***	505*	

* Not in plush ** For +50 mm and +100 mm width, see individual parts Max, see individual parts

*** Spirea⁴

**** For Azalea Max, see individual sheet

For XLT

Seat cushions to the different wheelchair models

Description	Azalea ®	Bellis ™	Focus ™	Spirea ^{2/3/4} ®	XLT ™
Flo-Shape	x	x	-	-	-
Standard, flat	-	-	x	x	x
Flo-Tech Countour	-	-	-	-	x*

* For XLT Max

Seat cushion Flo-Shape (measurements in mm)

Description	Grey Dartex	Grey Plush	Azalea ® **	Bellis ™
Seat cushion Flo-Shape	1509920	1508976	340*	
	1508053	1508054	390*	
	1508055	1508056	440*	410
	1508057	1508058	490*	460
	1508059	1508060		510

* For +50 mm and +100 mm width, see individual parts

Seating options (measurements in mm)

Description	Art.no.	Azalea ® **	Bellis ™
Abduction cushion in Dartex			1444172
Incontinence seat cover			
Minor	1510636	340	-
Small	5253078-TR26	390*	-
Medium	5253079-TR26	440*	410
Large	5253080-TR26	490*	460
X-Large	5253617-TR26	-	510

* For +5 cm and +10 cm width, see individual parts

** For Azalea Max, see individual sheet



Abduction cushion **Bellis**™



Incontinence seat cover

Benstøtter og fodplader

Legrests and Footrests



Fixed legrests



Angle adjustable legrests

Hangers to fit to wheelchair

Description	Art.no.	Azalea®	Bellis™	Focus™	Spirea ^{2/3/4} ®	XLT™
Fixed 80°	1493055-0509	x	x	x	x	x**
Fixed 90°	1443056-0509	x	x	x	-	x*
Angle adjustable left	1508945	-	-	x	x	x*
Angle adjustable right	1508948	-	-	x	x	x*
Angle adjustable left	1513007	x	x	-	-	-
Angle adjustable right	1513006	x	x	-	-	-

* Only for XLT Swing

** Only for XLT Swing, also available in chassie colour, see individual parts



Fixed hanger 80°



Fixed hanger 90°



Angle adjustable hanger

Benstøtter og fodplader

Footrests to fit seat width in mm

Description	Art.no.				Width				
	Left		Right		Azalea®	Bellis™	Focus™	Spirea ^{2/3/4} ®	XLT.
	Short	Long	Short	Long					
Fixed footrest									
Footrest 19	1428357	1428359	1428358	1428360	***		380 / 405	380 / 405 ^	380 / 405
Footrest 21	1428361	1428363	1428362	1428364	390	410	430 / 455	430 / 455 ^	430 / 455
Footrest 24	1428365	1428367	1428366	1428368	440	460	480 / 505	480 / 505 ^	480 / 505
Footrest 27	1435756	1435659	1435757	1435660	490	510	530		
Footrest 27	1435756	1435659	1435757	1435660		510 *	530 / 55,5*		
Adjustable footrest in depth and angle									
Footrest 12	1485430	1485428	1485524	1485429				355 ^^	355
Footrest 14	1429159	1429171	1429160	1429172			380 / 405	380 / 405	380 / 405
Footrest 16	1429161	1429173	1429162	1429174					
Footrest 17	1429163	1429175	1429164	1429176	340 / 390		430 / 455	430	430 / 455
Footrest 18	1429165	1429177	1429166	1426178	440	410			
Footrest 19	1429167	1429179	1429168	1429180	490		480	480	480
Footrest 20	1429169	1429181	1429170	1429182			460 / 510	505	505
Footrest 20	1440036	1440038	1440037	1440039			510*	530 / 555*	
Adjustable footrests in depth and angle to fit 90° hangers **									
Footrest 116	1491369	1491377	1491370	1491378					405
Footrest 141	1491371	1492170	1491372	1492263					455
Footrest 166	1491375	1492264	1491376	1492265					505
Footrest 177	1446130	1446136	1446131	1446137			380 / 405		380
Footrest 202	1446132	1446138	1446133	1446139	340 / 390	410	430 / 455		430
Footrest 227	1446134	1446140	1446135	1446141	440	460	480* / 505		480
Footrest 247	1446159	1446161	1446160	1446162	490	510*			

* Heavy version 150kg

** Not for heavy version 150kg

*** For +50 mm and +100 mm width, see individual parts

^ For Spirea⁴, see individual sheet

^^ Spirea⁴



Fixed footrest



Adjustable footrest in
depth and angle



Adjustable footrest in
depth and angle
(To fit hanger 90°)

Benstøtter og fodplader

One piece footplate to fit seat width in mm

Description	Art.no.		Width			
	Short	Long	Azalea ®	Focus ™	Spirea ^{2/3/4} ®	XLT ™
Adjustable footrests in depth and angle to fit 80 degree hangers **	1496945	1496954		380 / 405	380	380*
	1496946	1496955			405	405*
	1496947	1496982		430 / 455	430	430*
	1496948	1497004			455	455*
	1496949	1497005		480 / 505	480	480*
	1496953	1497006			505	505*
	1495821	1495825		530** / 555**		
Adjustable footrests in depth and angle to fit 90 degree hangers **	1491247	1493349		380 / 405	380	380*
	1491248	1493350			405	405*
	1493267	1493351		430 / 455	430	430*
	1493268	1493358	340 / 390		455	455*
	1493269	1493359		480 / 505	480	480*
	1493270	1493377	440		505	505*
	1495821	1495825	490	530** / 555**		530*
1495822	1495826	490				

** Heavy version.

*** For +50 mm and +100 mm width, see individual parts

* For XLT Swing



One piece footplate

Calf support used for angle adjustable legrests and fits in seat width mm

Description	Art.no.		Azalea ®	Bellis ™	Focus ™	Spirea ^{2/3/4} ®
	Left	Right				
Calf support 36	151086106					355 *
Calf support 38	1518617				380 / 405	380
Calf support 16	1518531				430 / 455	405 / 430
Calf support 19	1518532				480 / 505	455 / 480
Calf support 22	1518533				530 / 555	505
Calf support 16	1516313		340 / 390			
Calf support 19	1516314		440	410		
Calf support 22	1516315		490	460 / 510		
Calf support Azalea ® Max	1525057	1525058	550 / 610			

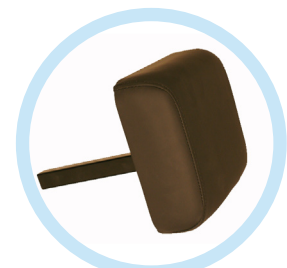
* Spirea⁴



Calf support **Azalea**®, **Assist**™, **Bellis**™



Calf support **Focus**™, **Spirea**^{2/3/4}®, and **XLT**™



Calf support **Azalea**® **Max**

Benstøtter og fodplader

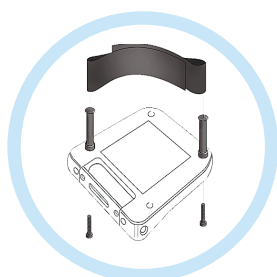
Footplate extender for angle adjustable footplate (Excluding Central footplate) (measurements in mm)

Description	Art.no.		Width				
	Left	Right	Azalea ®	Assist ™	Bellis ™	Focus ™	Spirea ™ ^{2/3/4} ®
Extender 135	5255297	5255296	-	-	-	380	380 / 405
Extender 160	5255299	5255298	340 - 490	Fit to all	Fit to all	405 / 430	430 / 455
						455 / 505	480 / 505

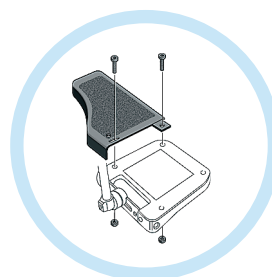
Heel straps Fits all footrests in all sizes (Excluding Central footplate)

Description	Art.no.	Azalea ®	Bellis ™	Focus ™	Spirea ™ ^{2/3/4} ®	XLT ™
Heel straps 40-50	5322013	x	x	x	x	x *

* Not for XLT Max



Heel strap 40-50



Footplate extender

Legrests, Footrests and others



Central legrest



Legrest amputee



Plaster Legrest

Complete legrests

Description	Art.no.		Azalea ®	Bellis ™	Focus ™	Spirea ™ ^{2/3/4} ®
	Left	Right				
Central legrest	1484821		x			
	1424640			x		
Legrest amputee	1442991	1442990	x	x	x	x *
Plaster legrest	1435771	1435770			x	x

* For Spirea⁴, see individual sheet

For legrest attachment an individual adapter to respective Tilt and Recline wheelchair is needed. One version for Central Hanger and another attachment for the other Hangers. Please read more under the individual Product chapters. Note that in the article number above of Central footplate, the adapter is included

Front castors



100x27 medium hard



125x27 soft



140x37 soft



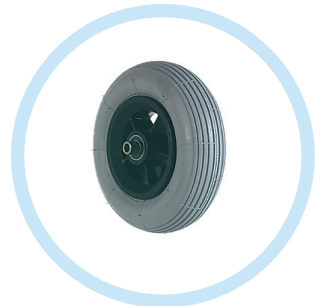
150x27 medium hard



150x30 soft



150x32 pneumatic



180x40 pneumatic



180x40 soft



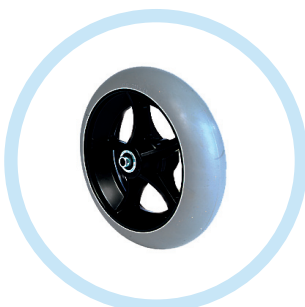
200x27 medium hard



200x30 soft



200x32 pneumatic



200x45 medium hard



200x50 pneumatic

Castor attachments

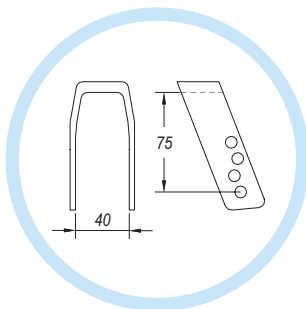
Description	Azalea®	Bellis™	Focus™	Spirea ^{2/3/4} ®	XLT.
Fixed	x	x	i	i	-
Quick release	-	x	-	-	-
Fixed with angleadjustment 0-6°	-	-	x	x	i

Castor forks

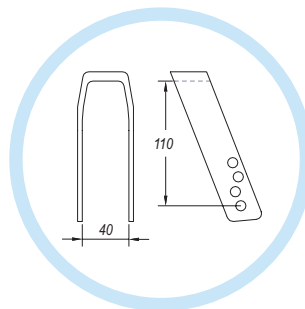
Description	Azalea®	Bellis™	Focus™	Spirea ^{2/3/4} ®	XLT.
75 mm - narrow	-	-	-	x	i
110 mm - narrow	x	x	x	x	i
110 mm - wide	x	x	x	x	i
150 mm - narrow	x	x	x	x	i
150 mm - wide	x	x	x	x	i

Castor attachment type

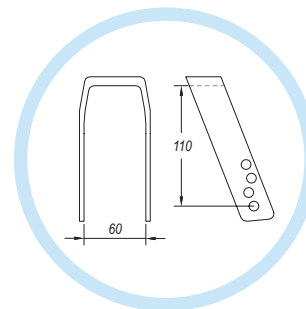
Description	Azalea®	Bellis™	Focus™	Spirea ^{2/3/4} ®	XLT.
Castor attachment fixed	5254308		i	i	i



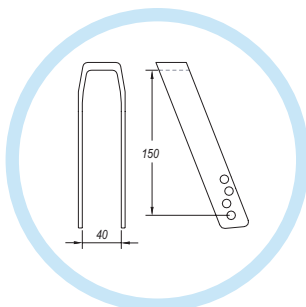
75 - narrow



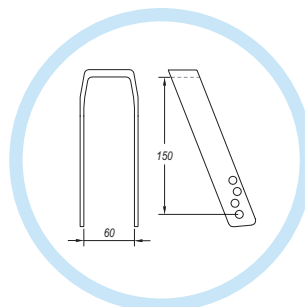
110 - narrow



110 - wide



150 - narrow

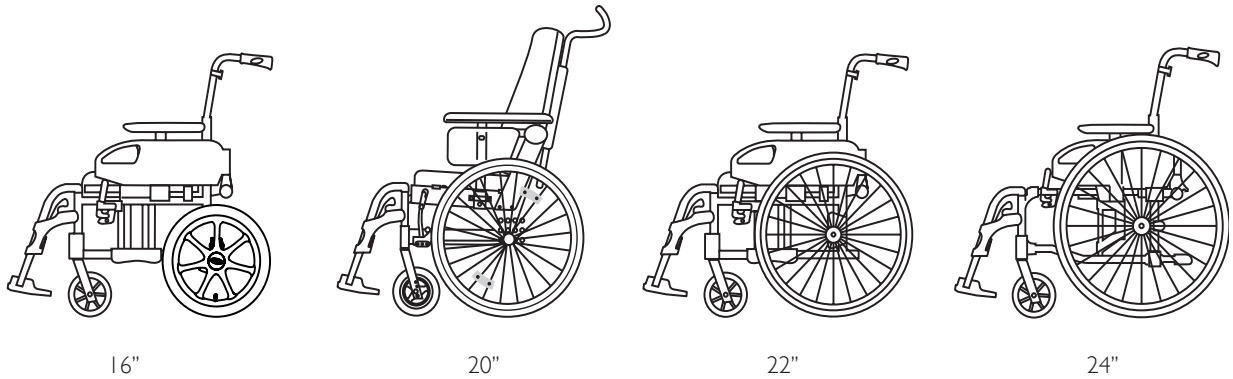


150 - wide

Article number of castors in combination with forks			
Description	Forks	Art.no.	
Castor (Approximate in inch ²)		Fixed Castor + fork	QR Castor + fork
125 x 27 medium hard (5")	75	5106784	—
	110	5320710	5322102
	150	5320727	5322104
140 x 37 soft (5,5")	110	5322135	5322137
	150	5322136	5322138
150 x 27 medium hard (6")	110	5321788	5322107
	150	5321792	5322109
150 x 30 soft (6")	110	5750808	5750809
	150	5750810	5750811
150 x 32 pneumatic (6")	110	5321788	5322106
	150	5321782	5322108
180 x 40 pneumatic (7")	110	5750789	5750790
	150	5750791	5750792
180 x 40 soft (7")	110	5750784	5750785
	150	5750786	5750787
200 x 27 medium hard (8")	110	5320717	5322112
	150	5320729	5322114
200 x 30 soft (8")	110	5750802	5750803
	150	5750804	5750805
200 x 32 pneumatic (8")	110	5104188	5322111
	150	5750889	5322113
200 x 45 medium hard (8")	110	5322143	5322144
	150	5322147	5322148
200 x 50 pneumatic (8")	110	5322145	5322146
	150	5322149	5322150

For XLT, see individual parts

For Spirea⁴, see individual parts



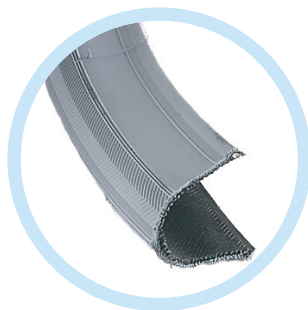
Tyre type and size of rearwheel					
Description	16"	20"	22"	24"	24" basic
Tyres low profile (24 x 1 1/8") *	-	-	-	x	-
Tyres low profile (24 x 1")	-	-	-	x	-
Tyres pneumatic non marking	-	x	x	x	-
Tyres pneumatic profiled	x	x	x	x	x
Tyres solid	x	-	x	x	x
Tyres puncture proof	-	-	x	x	-

- Not compatible with this model

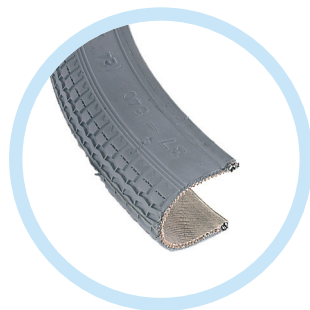
* Not standard on all models from 1:st of April 2010



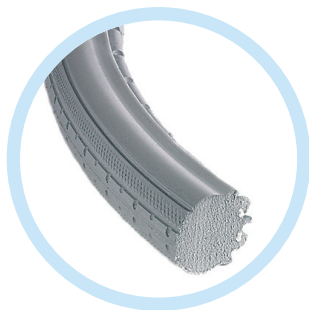
low profile



pneumatic non marking



pneumatic profiled



solid



puncture proof

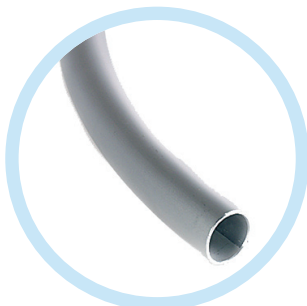
Handrims and size of rearwheel

Description	16"	20"	22"	24"
Handrim aluminium	-	1530271 **	1531579 **	1531577 **
Handrim stainless *	-	-	-	1531305 **
Handrim plastic coated	-	1530272 **	1531580 **	1531578 **
Handrim foam coated *	-	-	-	1531459 **
Handrim black grip *	-	-	-	1531460 **

- Not compatible with this model

* Not standard on all models from 1:st of April 2010

** Available from 1:st of April 2010



Aluminium



Stainless



Plastic coated



Foam coated



Black grip

Article numbers of rearwheels in combination with tyres and handrims (for 16" see next chapter under Drum brakes)

Description	Tyres						
	Rear wheel size	Low profile	Pneumatic non marking	Pneumatic profiled	Solid	Puncture proof	Low profile XLT™ ***
Aluminium	20"	-	1523885 **	1523944 **	-	-	-
	22"	1524020 **	1523948 **	1523949 **	1524021 **	1524022 **	-
	24"	1524049 **	1524029 **	1524030 **	1524050 **	1524150 **	1530008 **
Aluminium (Basic)	24"	-	-	1492642	1492643	-	-
Stainless *	24"	1531063 **	1530763 **	1530764 **	1530762 **	1531129 **	-
Plastic coated	22"	1524026 **	1524023 **	1524024 **	1524027 **	1524028 **	-
	24"	1524187 **	1524163 **	1524186 **	1524188 **	1524189 **	-
Foam coated *	22"	-	-	-	-	-	-
	24"	1531533 **	1531462 **	1531508 **	1531531 **	1531532 **	-
Black grip *	24"	1531566 **	1531538 **	1531563 **	1531564 **	1531565 **	-

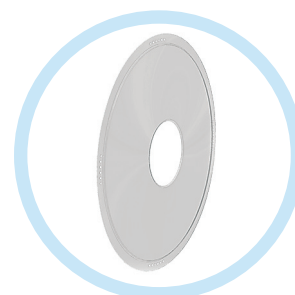
* Not standard on all models from 1:st of April 2010

** Available from 1:st of April 2010

*** Not for XLT Max

Spoke guards with article numbers

Description	16"	20"	22"	24"	24" basic
Spokeguard Frost	—	5102795	5102800	5102807	5102807



Frost

Article numbers of rearwheels for drum brakes in combination with tyres and handrims ***

Description	Rear wheel size	Tyres			
		Pneumatic non marking	Pneumatic profiled	Solid	Puncture proof
Handrim Aluminium	22"	1524289 **	1524290 **	1524291 **	1524292 **
	24"	1524436 **	1524437 **	1524447 **	1524512 **
Stainless *	22"	-	-	-	-
	24"	1531064 **	1531080 **	1531127 **	1531128 **
Plastic coated	22"	1524337 **	1524361 **	1524388 **	1524435 **
	24"	1524513 **	1524514 **	1524515 **	1524516 **
Black grip *	24"	1531567 **	1531568 **	1531569 **	1531570 **

* Not standard on all models from 1:st of April 2010 ** Available from 1:st of April 2010

*** For complete drum brake kit see Spare part catalogue



Rear wheel for drum brake

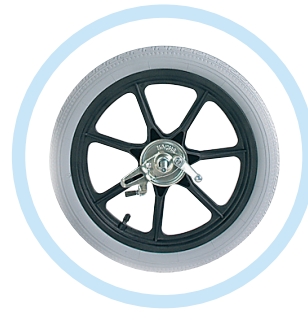
Rear wheels for drumbrakes

Description	Azaled[®]	Bellis[™]	Focus[™]	Spirea^{2/3/4[®]}	XLT[™]
Ass.operated drumbrake 22 / 24"	x	x	x	x	x **
Ass.operated drumbrake 16"	x	x	-	x *	-

* Spirea^{2®} ** Only 24" wheels for XLT Max



Assistant operated drum
brake 22" / 24"



Assistant operated drum
brake 16"

Brakes incl. Attachment						
Description	Art.no.		Azalea®	Bellis™	Focus™	Spirea ^{2/3/4} ®
	Left	Right				
Standard brakes	1485423	1485424	×			
Standard brakes	1446041	1444342				
Standard brakes (Malta)	1415485	1415486				×
Standard brakes, Focus	1435800	1435799			×	
Standard brakes	5255117	5255124		×		
Brake lever extension	5203340	5203340			×	×
One arm brake	1492107	1492000				×
One arm brake	1449900	1449899			×	
One arm brake	5255418	5255426		×		
User manouvered brake 16" Bellis	1446121	1446122		×		
User manouvered brake 16" Spirea ²	1446111	1446112				×



Standard brakes (Malta)



Brake lever extension



One arm brake

Safety					
Description	Azalea®	Bellis™	Focus™	Spirea ^{2/3/4} ®	XLT™
Pelvic belt	5252276 ***			1435769 ^	5252276
Auto lock armrest	5721060				
Anti tip device	1439933	5255306	1435470	5255306 ^	i

i = see individual part
** Part of frame

* Transport version see individual part
*** For Azalea Max see individual part

^ For Spirea⁴ see individual parts



Pelvic belt



Reflectors kit



Auto lock armrest



Anti tip device

Table Tray (measurements in mm)

Description	Art.no.	Azalea® **	Bellis™	Focus™	Spirea ^{2/3/4} ®	XLT.
Table tray fixed small	5206727			380 / 405	355 ^ / 380 / 405	355 / 380
Table tray fixed medium	5206726		410	430 / 455	430 / 455	405 / 430
Table tray fixed large	5206725		460	480 / 505	480 / 505	455 - 505
Table tray fixed X-large	5207643		510	530 *		

^ Spirea⁴

* = Focus 150

** For Azalea see individual part



Table tray fixed

Cane holder

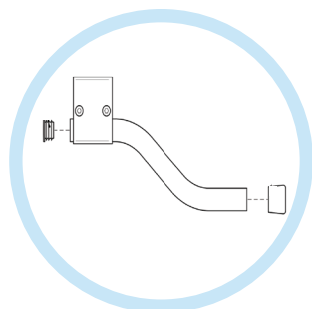
Description	Art.no.				
	Azalea®	Bellis™	Focus™	Spirea ^{2/3/4} ®	XLT.
Cane holder	5295015		1435764	5104964	

Step tube

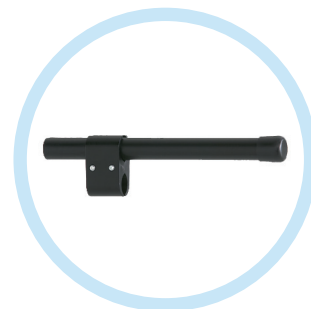
Description	Art.no.				
	Azalea®	Bellis™	Focus™	Spirea ³ ®	XLT.
Step tube	-	-	5103276	-	-



Cane holder



Step tube Focus, Spirea 3



Step tube XLT, Spin-X



Rea™ **Azalea**® – Individuelle dele

Indhold

➤ Rea™ Azalea ®	35
➤ Således er Rea™ Azalea ® målt	37
➤ Individuelt tilbehør til Rea™ Azalea ®	38



Rea™ Azalea® – Individuelle dele

En let komfortstol med fantastisk siddekomfort og mange muligheder for individuelle tilpasninger

Rea® Azalea™ er det naturlige valg til både den lidt aktive bruger og den mere passive bruger. Det komfortable sædesystem giver brugeren mulighed for at ændre siddestillingen, og giver således mest mulig komfort. Dette kombineret med gode køreegenskaber gør Azalea™ til det perfekte valg. Azalea™ fås også med 16" drivhjul og kaldes Rea® Azalea™ Assist



Rea™ Azalea®



Rea™ Azalea® Minor



Rea™ Azalea® Assist



Rea™ Azalea® Tall



Rea™ Azalea® Base



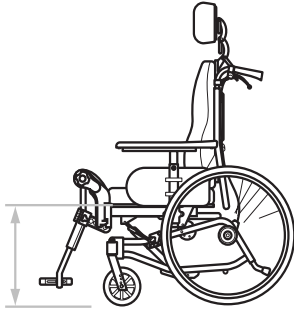
Rea™ Azalea® Max



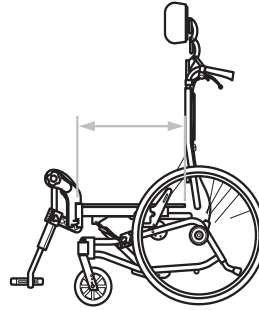
Rea™ Azalea® – Individuelle dele

Således er Rea™ Azalea® målt:

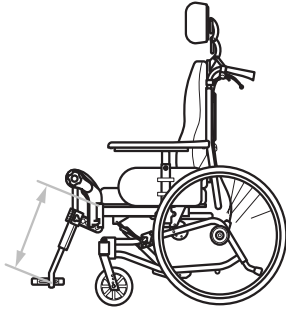
Seat height



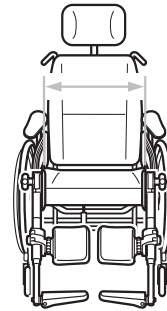
Seat depth



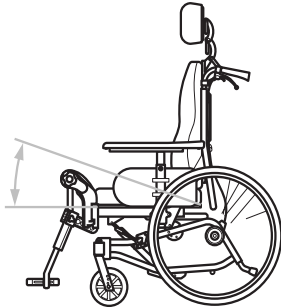
Legrest length



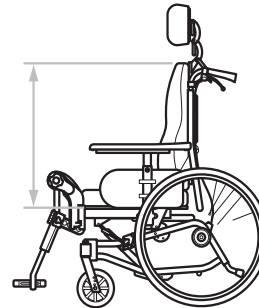
Seat width



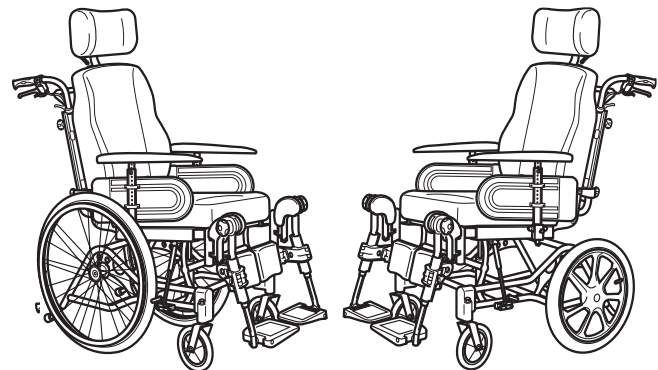
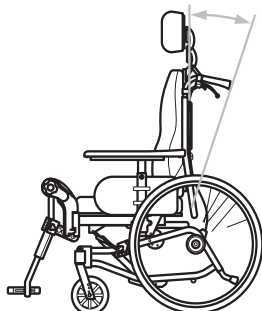
Seat angle



Backrest height



Backrest angle



* As the dimensions are in whole cm steps it might in reality mean slightly more or less adding a couple of mm



Rea™ Azalea® – Individuelle dele

Sizes	Azalea®	Azalea® 16"	Azalea® Tall	Azalea® Base	Azalea® Minor	Azalea® Max
Seat dimensions (measurements in mm)						
Seat width	390 / 440 / 490 +50 / 100 mm			340 / 390 / 440 / 490 +50 / 100 mm	340 +50 / 100 mm	550 / 610 +50 / 100 mm
Seat depth	430 - 500		480 - 550	380 - 500	380 - 450	530 - 600
Seat height	400 / 450		500	400 / 450	400 / 450	400 / 450
Kompatibilitetsliste over "fælles dele"						
Backrest type						
Backrest plate	x	x	x	-	x	-
Velcro adjustable	x	x	x	-	-	i
Backrest tubes reclining	x	x	x	x	x	x
Backrest Cover and Cushion Type						
Cover Thin	x	x	x	-	-	-
Cover Lateral	x	x	x	-	-	x
Mistral 2	x	x	x	-	x	-
Laguna	x	x	x	-	x	x
Passad 2	x	x	x	-	-	-
Shoulder High	x	x	x	-	-	-
Backrest options/ pushhandles						
Push bar	x	x	x	-	-	i
Push handles braced	x	x	x	x	x	i
Seat type						
Firm seat plate, depth adj.	x	x	x	x	x	x
Sliding seat	x	x	x	-	-	-
Wheel base seat	-	-	-	x	-	-
H-bracket	-	-	-	x	-	-
Seat Cushions						
Flo-shape	x	x	x	-	x	-
Max seat cushion	-	-	-	-	-	x
Legrests / Hangers						
Central legrest, incl calf pad, footrest and attachment	x	x	x	x	-	-
Hanger angle adjustable	x	x	x	x	x	x
Hanger fixed 80 deg	x	x	x	x	x	-
Hanger fixed 90 deg	x	x	x	x	-	-
Legrest amputee	x	x	x	x	x	-
Legrest attachment width adj.	x	x	x	x	x	x
Footrests						
Footrest one piece	x	x	x	x	x	i
Fixed footplate	x	x	x	x	x	-
Adjustable footplate angle/ depth	x	x	x	x	x	x
Adjustable footplate angle	x	x	x	x	x	-
Armrest Pads						
Long, wide	-	x	-	-	-	x
Padded	x	x	x	x	x	-
Ducktail	x	x	x	x	x	-



Rea™ Azalea® – Individuelle dele

Sizes	Azalea®	Azalea® 16"	Azalea® Tall	Azalea® Base	Azalea® Minor	Azalea® Max
Seating options						
Abduction cushion in Dartex	x	x	x	-	x	-
Incontinence cover for seat-cushion	x	x	x	-	x	x
Backrest options						
Neckrest depth adjustable	x	x	x	x	x	x
Headrest with cheek support	x	x	x	x	x	x
Headrest depth / width adjustable	x	x	x	x	x	x
Trunk support multi adjustable with standard arm	x	x	x	-	x	-
Trunk support multi adjustable with extended arm	x	x	x	-	x	-
Trunk support, detachable with standard arm	x	x	x	-	x	-
Trunk support, detachable with extended arm	x	x	x	-	x	-
Trunk support, swing away	x	x	x	-	x	-
Lumbar support cushion	x	x	x	-	x	x
Wedges	x	x	x	-	x	x
Legrest / Footrest options						
Heel straps	x	x	x	x	x	-
Calf pads	x	x	x	x	x	i
Footplate extender	x	x	x	x	x	-
Armrest options						
Hemiplegics	x	x	x	x	x	-
Side support cover	x	x	x	x	x	x
Cushion to side support	x	x	x	x	x	x
Rear Wheel size / type						
16"	-	x	x	x	x	x
22"	x	-	x	x	x	x
24"	x	-	x	x	x	x
Safety						
X-Harness	-	-	-	-	x	-
Accessories						
Table tray Fixed	x	x	x	x	-	x
Table tray Swing-away	x	x	x	x	x	-



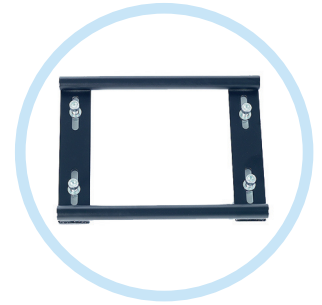
Rea™ **Azalea®** – Individuelle dele

16" Transit wheels Azalea® Max				
Description	Azalea® *	Azalea® Base	Azalea® Max	Azalea® Tall
16" solid DB wheels, pair	1536343		1536735	
16" pneumatic DB wheels, pair	1536342		-	1536736

* Not for Azalea Max and Azalea Tall

Seat type (measurements in mm)						
Description	Art.no.					
Seat width	340	390	440	490	550	610
Sliding seat	-	1484576	1484577	1484578	-	-
Seat plate Azalea® Base	1508789	1508790	1508791	1508791	1525083 *	1525082 *
H-bracket Azalea® Base	1508908				-	-

* Included in the chassie module



H-bracket

Seat cushion Azalea® Max (measurements in mm)			
Description	Seat width in mm	Art.no.	
		Grey Dartex	Grey Plush
Max seat cushion	550	1526311	1526310
	610	1526313	1526312



Max seat cushion

Seat cushion Flo-shape seat width + 50 mm and + 100 mm			
Description	Seat width in mm	Art.no.	
		Grey Dartex	Grey Plush
Seat cushion Flo-shape	340 + 50	1509920	1508976
	340 + 100	1509920	1508976
	390 + 50	1508055	1508056
	390 + 100	1508055	1508056
	440 + 50	1508057	1508058
	440 + 100	1508057	1508058
	490 + 50	1508059	1508060
	490 + 100	1508059	1508060

Backrest Velcro adjustable Azalea® Max		
Description	Azalea® Max	
	Seat width in mm	
Backrest Velcro adjustable Azalea® Max	550	610
	1526824	1526823



Backrest Velcro adjustable Azalea Max



Rea™ Azalea® – Individuelle dele

Backrest cushions seat width + 50 mm and + 10 mm

Description	Azalea®		
	Seat width in mm	Art.no.	
		Grey Dartex	Grey Plush
Mistral 2	340 + 50	1431668	1431669
	340 + 100	1424651	1435404
	390 + 50	1424651	1435404
	390 + 100	1424651	1435404
	4400 + 50	1424652	1435405
	440 + 100	1424652	1435405
	490 + 50	1424653	1435406
	490 + 100	1424653	1435406
Laguna 2 fixed shape	340 + 50	1508972	1510660
	340 + 100	1508972	1510660
	390 + 50	1427119	1435798
	390 + 100	1427119	1435798
	440 + 50	1427120	1444340
	440 + 100	1427120	1444340
	490 + 50	1427121	1444341
	490 + 100	1427121	1444341
Passad 2	390 + 50	1424647	1444329
	390 + 100	1424647	1444329
	440 + 50	1424649	1444330
	440 + 100	1424649	1444330
	490 + 50	1429278	1444331
	490 + 100	1429278	1444331
Shoulder high	390 + 50	1444276	-
	390 + 100	1444276	-
	440 + 50	1444277	-
	440 + 100	1444277	-
	490 + 50	1444278	-
	490 + 100	1444278	-



Pushhandle, right



Pushhandle, left



Push handles braced Azalea Max



High Push bar Azalea Max

Backrest bar / Push handles Azalea® Max (measurements in mm)

Description	Art.no.	
	Azalea® Max	
	550	610
Push handles braced	1524533	1524529
High Push bar	1523947	1523946

Seat and Backrest tilt						
Description	Azalea®		Azalea® Max		Azalea® Base	
	22" / 24"	16" / 22" / 24" DB	22" / 24"	16" / 22" / 24" DB	22" / 24"	16" / 22" / 24" DB
Assistant operated seat- and backrest tilt	1536331	1536332	1536335	1536336	1536843	1536839
Electrical operated seat and backrest tilt	1484820	1483996 *	1524790		-	

* Only for 16"



Rea™ **Azalea®** – Individuelle dele

Legrest attachment						
Description	Art.no.					
Seat width in mm	340	390	440	490	550	610
Legrest attachment width adjustable	1508926-0509	1449888-0509	1449889-0509	1449890-0509	-	-
Legrest attachment width adjustable Azalea® Tall	-	1507966-0509	1507967-0509	1507968-0509	-	-
Legrest attachment width adjustable Azalea® Max	-	-	-	-	1523725 *	1523745 *

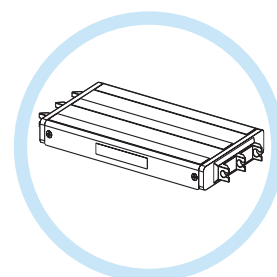
* Included in the chassie module

Legrests/hangers		
Description	Art.no.	
	Left	Right
Hanger angle adjustable - alu 2008 Azalea® Max	1528870	1528871



Hanger angle adjustable - alu 2008
Azalea Max

Footboard converter, cpl		
Description	Azalea® Max	
	Seat width in mm	Art.no.
Footboard converter, cpl Azalea® Max	550	1524731
	550 + 50	1524732
	550 + 100	1524733
	610	1524732
	610 + 50	1524733
	610 + 100	1524734



Footboard converter, cpl

Footrests			
Description	Azalea® Max		
	Seat width in mm	Short tube	Long tube
Footrest incl. footboard converter, cpl Azalea® Max	550	1524977	1524721
	550 + 50	1524978	1524722
	550 + 100	1524979	1524723
	610	1524978	1524722
	610 + 50	1524979	1524723
	610 + 100	1527980	1524724



Footrest incl footboard converter, cpl



Rea™ **Azalea®** – Individuelle dele

Armrest attachment

Description	Art.no.
	Azalea® Max
Armrest attachment	1525035

Armrests pads including poles

Description	Art.no.	
	Left	Right
Wide pad, reinforced (Max)	1525067	1525066

Armrest, height adjustable and reinforced, cpl

Description	Art.no.	
	Azalea® Max	
	Left	Right
Height adj and reinforced, wide pad, cpl	1525069	1525068



Armrest Azalea Max

Incontinence seat cover seat width + 50 mm and + 100 mm

Description	Seat width in mm	Art.no.
Minor	340	1510636
Small	390	5253078-TR26
Medium	390 + 50	5253079-TR26
	440	
Large	390 + 100	5253080-TR26
	440 + 50	
	490	
X-Large	440 + 100	5253617-TR26
	490 + 50	
	490 + 100	
Azalea® Max	550	1526617
	610	1526616

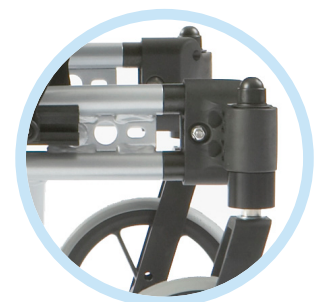
Backrest options

Description	Art.no.	
	Left	Right
Trunksupport with arm extended in height	1484447	1484448
Cane holder	5295015	

Chassis extender

Description	Art.no.
Chassis extender	1484535 *

* Not for **Azalea® Minor**



Chassis extender



Rea™ **Azalea® – Individuelle delee**

Safety		
Description	Art.no.	
	Left	Right
Standard brake	1486411	1486410
User manouvered brake Azalea® Max	1524719	1524720
Tyre brake for Azalea Minor (22"+24" wheels)	1513040	
Brake kit DB cpl, pair (Azalea Max + Azalea Tall 22"+24")	1536758	1536759
Brake kit DB cpl, pair (Azalea + Azalea Base 22"+24")	1536544	1536545
Brake attachment	1491317	
Anti tip device	1439933	
Reflectors kit (wheel and chassi)	5104965	
Reflectors kit Azalea Transport	5254249	
X-Harness cpl (Minor)	1512914	
Pelvic belt Azalea® Max	1528872	



X-Harness

Table tray fixed				
Description	Art.no.			
	Seat width in mm	Armrest wide pad	Armrest std pad	Armrest padded
Table tray fixed small	390	-	5206737	-
Table tray fixed medium	390	5206726	-	-
	390 + 50	-	5206726	-
	440	-	5206726	-
Table tray fixed large	390 + 100	-	5206725	-
	440	5206725	-	-
	440 + 50	-	5206725	-
	440	5206725	-	-
	440 + 50	-	5206725	-
	490	-	5206725	-
Table tray fixed X-large	390 + 100	5207643	-	-
	440 + 50	5207643	-	-
	440 + 100	5207643	5207643	-
	490	5207643	-	-
	490 + 50	5207643	5207643	-
	490 + 100	-	5207643	-
Table tray fixed Azalea® Max	550 - 710	1528869	-	-

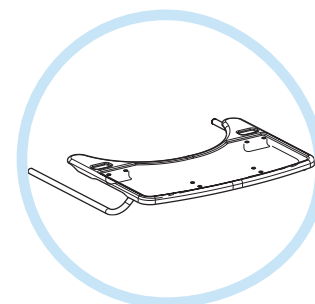


Table tray fixed Azalea Max

Table tray swing-away *		
Description	Article number	
	Seat width in mm	Article number
Table tray swing-away (small)	340	1509919
	340 + 50	
Table tray swing-away (large)	340 + 100	1449217
	390 - 590	

* Only in combination with armrest wide pad and padded armrest

Tilt lock (locking of pre-set angle)	
Description	Article number
Tilt lock	1527435

Indhold

 <i>Rea</i> [™] Bellis [™]	45
 Således er <i>Rea</i> [™] Bellis [™] målt	47
 Individuelt tilbehør til <i>Rea</i> [™] Bellis [™]	48

Rea™ **Bellis™** – Individuelle dele

Gennemarbejdede løsninger skaber unikke muligheder

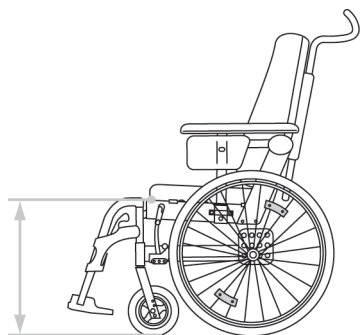
Rea® **Bellis™** har mange gennemarbejdede løsninger og tilbyder dermed et højt komfortniveau kombineret med talrige indstillingsmuligheder og perfekte køreegenskaber. **Bellis™** unikke design fokuserer på, at brugeren skal have det rigtig godt både hvad angår siddekomfort og kørsel.



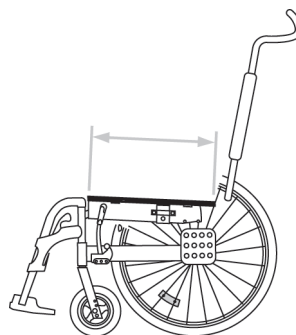
Rea™ **Bellis™** – Individuelle dele

Således er Rea™ **Bellis™** målt:

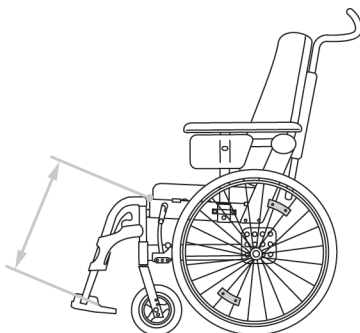
Seat height



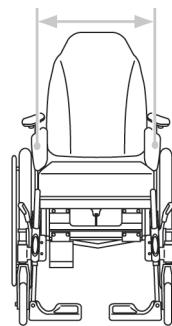
Seat depth



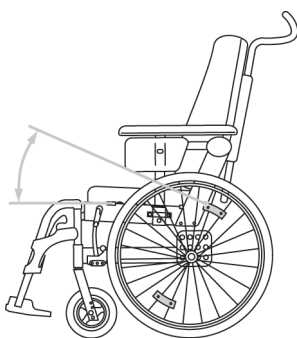
Legrest length



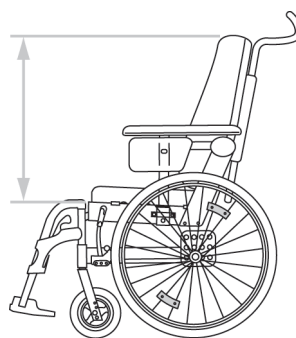
Seat width



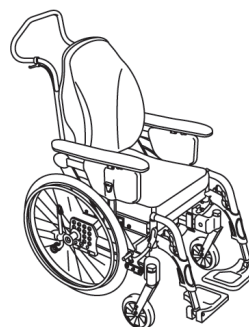
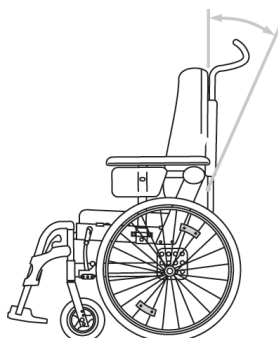
Seat angle



Backrest height



Backrest angle



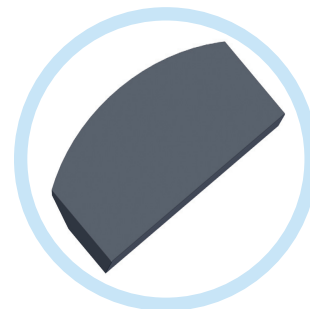
Individuelt tilbehør til Rea™ Bellis™

Seat cushion

Description	Art.no			
	Bellis®		Bellis 150®	
	22" / 24"	16" / 22" / 24" DB	22" / 24"	22" / 24" DB
Assistant operated seat- and backrest tilt	1536429	1536430	1536431	1536432
Electrical operated seat and backrest tilt	1448691			

Seat cushion

Description	Seat width in mm	Art. no
Inlay cushion	410	5255323-TR26
	460	5255324-TR26
	510	5255325-TR26



Inlay cushion

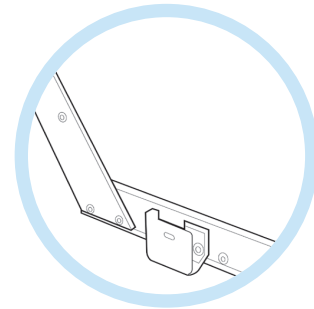
Legrests/ hangers

Description	Seat width	Art. no
Legrest attachment	All widths	1429269-0509



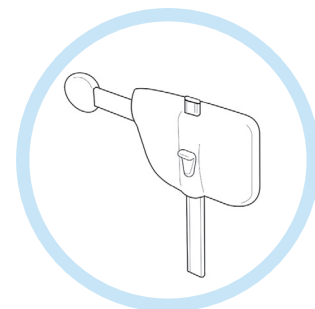
Legrest attachment

Armrest attachment		
	Article number	
	Left	Right
Flip up - rear part	5255466-0515	5255465-0515



Flip up - rear part

Armrests lower part		
	Article number	
	Left	Right
Height adjustable flip up	1439751	1439750



Height adjustable flip up

Armrests pads including pole		
	Article number	
	Left	Right
Long Narrow Nice	1439747	1439746
Long Wide Nice	1439749	1439748



Long Wide Nice



Long Narrow Nice

16" Transit wheels Bellis

Description	Art.no.
16" solid DB wheels, pair	1536424
16" pneumatic DB wheels, pair	1536423

Castor attachment type

Description	Article number	
	Left	Right
Castor attachment quick release	5254254	5254253



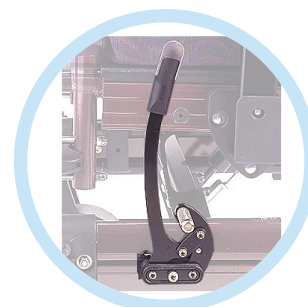
Castor attachment fixed



Castor attachment quick release

Safety

Description	Article number	
	Left	Right
Standard brakes	5255117	5255124
Brake kit 22-24" drumbrake	1536403	1536422
User manouvered tyre brake	1446121	1446122
One arm brake	5255418	5255426
Reflectors kit (wheel and chassi)	5206640	



Standard brakes

Accessories

Description	Article number
Cane holder	5295015



Cane holder

Rea™ **Focus™** – Individuelle dele

Indhold

 Rea™ Focus™	51
 Således er Rea™ Focus™ målt	53
 Individuelt tilbehør til Rea™ Focus™	54

Rea™ **Focus™** – Individuelle dele

Rea® Focus™ kombinerer god siddestilling med gode køreegenskaber

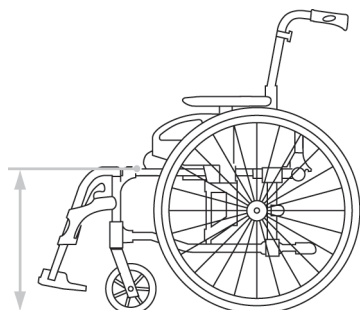
Rea® **Focus™** er en allround kørestol, der kører let og er udviklet til brugere med behov for god siddestøtte. Stolens faste sædeplade understøtter en god, stabil siddestilling, og kombineres nemt med forskellige rygstøttemuligheder for individuel positionering. **Focus™** er en stol af høj teknisk kvalitet, som er let at genbruge, har et lavt servicebehov, er kompatibel med resten af Rea® kørestolene og nem at indstille.



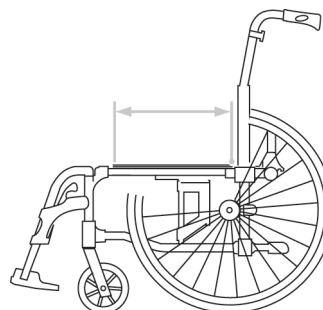
Rea™ Focus™ – Individuelle dele

Således er Rea™ Focus™ målt:

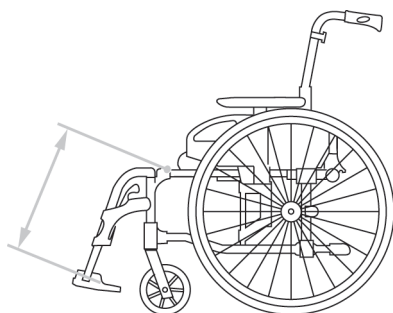
Seat height



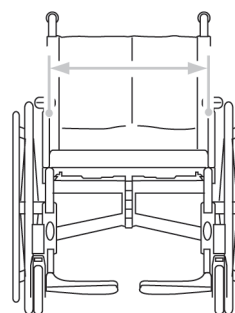
Seat depth



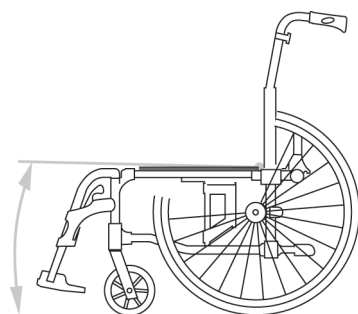
Legrest length



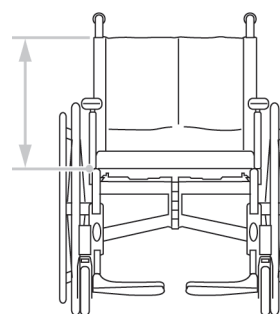
Seat width



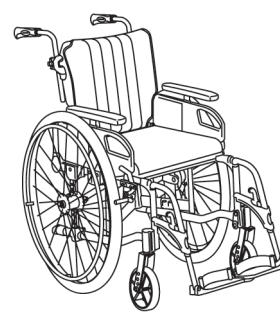
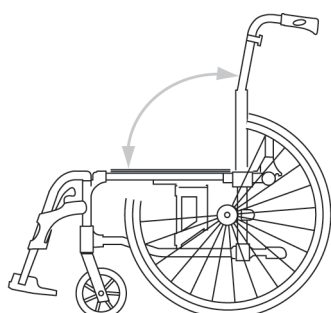
Seat angle



Backrest height



Backrest angle

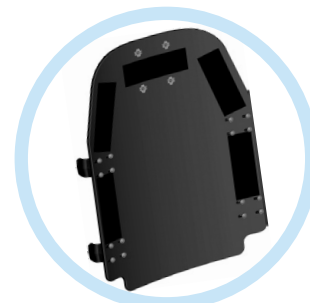


* As the dimensions are in whole cm steps it might in reality mean slightly more or less adding a couple of mm

Individuelt tilbehør til Rea™ Focus™

Reclined backrest and cushion

Description	Art.no		
	Seat width in mm	Grey Dartex	Grey Plush
Reclined backrest with backrest plate, cushion Laguna 2 and fixed push handles	380 - 405	1508812	1508815
	430 - 455	1508813	1508816
	480 - 505	1508814	1508817
Reclined backrest with backrest plate, cushion Passad 2 and fixed push handles	380 - 405	1518694	1518697
	430 - 455	1518695	1518698
	480 - 505	1518696	1518699
Reclined backrest, gas spring, with backrest plate, cushion Laguna 2 and fixed push handles	380 - 405	1530010	1530045
	430 - 455	1530011	1530046
	480 - 505	1530012	1530241
Reclined backrest, gas spring, with backrest plate, cushion Passad 2 and fixed push handles	380 - 405	1530242	1530266
	430 - 455	1530243	1530267
	480 - 505	1530265	1530268



Backrest plate Laguna 2



Backrest reclined with gas spring

Backrest upholstery cpl

Description	Art.no.		
	Seat width in mm	Jemima	Grey Plush
Anlge Adjustable and Biangular	380	1435649	1435653
	430	1435650	1435654
	480	1435651	1435655



Angle adjustable



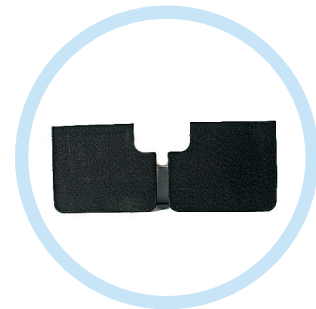
Velcro Biangular

Seatcushions

Description	Art.no.			
	Seat depth in mm	Seat width in mm	Grey Dartex	Grey Plush
Mistral 2 seat cushion	375 - 425	380	1434853	1435860
Mistral 2 seat cushion	375 - 425	405 - 430	1435854	1435861
Mistral 2 seat cushion	375 - 425	455 - 480	1435855	1435862
Mistral 2 seat cushion	375 - 425	505	1435859	1435866
Mistral 2 seat cushion	450 - 500	380	1435856	1435863
Mistral 2 seat cushion	450 - 500	405 - 430	1435857	1435864
Mistral 2 seat cushion	450 - 500	455 - 480	1435858	1435865
Mistral 2 seat cushion	450 - 500	505	14305859	14305866

Seating options

Description	Seatwidth in mm	Art.no.
Inlay cushion for seat plate	380	1434768
	430	1434769
	480	1434770
	530	1434771



Inlay cushion

Armrest attachment

Description	Article number	
	Left	Right
Flip up	1431723	



Flip up

Trunk support

Description	Article number	
	Left	Right
Trunk support, small *	5253067-TR23	
Trunk support Swing away **	1527443	1527442

* For reclined backrest without gas spring

** For reclined backrest with gas spring



Trunk support, small

Castor attachment

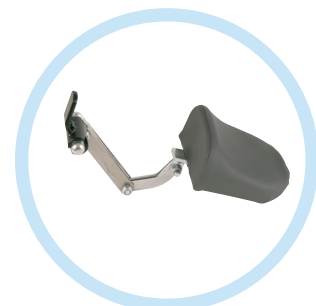
Description	Article number	
	Left	Right
Castor attachment low, fixed	1434733	
Castor attachment high, height adjustable	1434754	



Attachment low, fixed



Attachment high, fixed



Trunk support, swing away

Rearwheel attachment

	Article number
Camber kit	1435807



Camber kit

Safety

Description	Art.no.	
	Left	Right
One arm brake	1449900	1449899
Brake kit 22" + 24" DB	1536437	1536438
Brake kit 22" + 24" DB (narrow)	1539473	1539474
Parking leg (step tube)	5103276	
Anti tip device	1435470	
Anti tip device swing-away *	1508975	1508974
Brake attachment	5240241	5240240
Reflectors kit (wheel and chassi)	5104965	

* not in combination with drum brakes
not in combination with Focus 150 kg



Anti tip device

Accessories

Description	Art.no.
Cane holder	1435754



Cane holder

Rea[™] **Spirea²**[®] – Individuelle dele

Indhold

 <i>Rea</i> [™] Spirea² [®]	57
 Således er <i>Rea</i> [™] Spirea² [®] målt	59
 Individuelt tilbehør til <i>Rea</i> [™] Spirea² [®]	60

Rea™ **Spirea²**® – Individuelle dele

Rea® **Spirea²**™ til transport og hyppigt brug

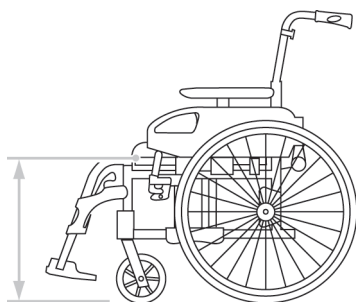
Rea® **Spirea²**™ er en foldbar allround letvægtskørestol med indstillingsmuligheder for brugere med god siddende balance og begrænset transportbehov. **Spirea²**™ er designet således, at den er let at håndtere i alle henseender for både bruger, hjælper og terapeut. Efter opfordring fra vore kunder har vi gjort **Spirea²**™ let at genbruge ved hjælp af høj teknisk kvalitet, lavt servicebehov og lette indstillingsmuligheder..



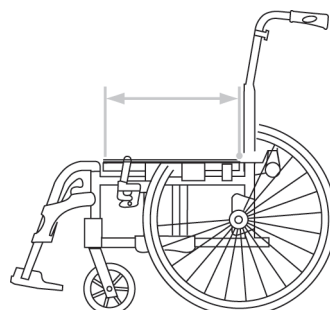
Rea™ Spirea²® – Individuelle dele

Således er Rea™ Spirea²® målt:

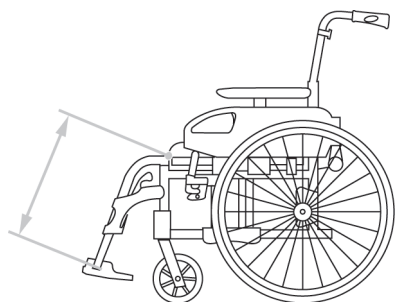
Seat height



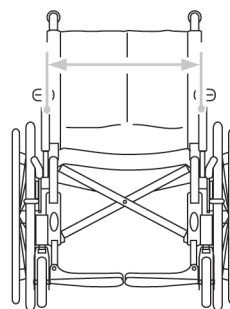
Seat depth



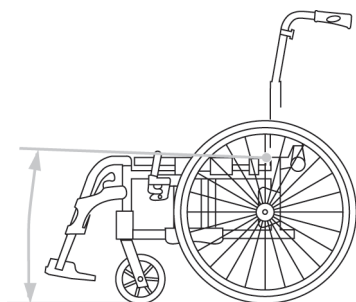
Legrest length



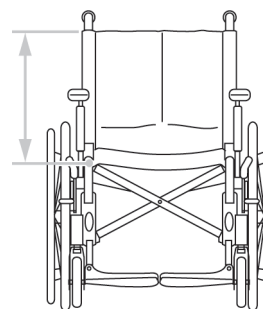
Seat width



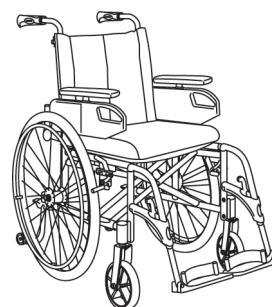
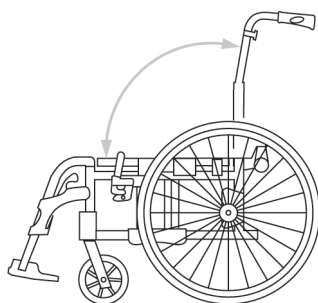
Seat angle



Backrest height



Backrest angle



* As the dimensions are in whole cm steps it might in reality mean slightly more or less adding a couple of mm

Backrest type

Seat width in mm	Article number		
	Sling Jemima	Velcro adjustable Jemima	Grey Plush
380	5104583-TR18	5104433-TR18	5104433-TR32
405	5104584-TR18	5104434-TR18	5104434-TR32
430	5104385-TR18	5104435-TR18	5104435-TR32
455	5104386-TR18	5104436-TR18	5104436-TR32
480	1495854	1448653	1508784
505	5104387-TR18	5104437-TR18	5104437-TR32



Sling Jemima

Seat type

Seat width in mm	Article number			
	Depth adjustable		Velcro adjustable	
	Seat depth 400	Seat depth 450	Seat depth 400	Seat depth 450
380	5106337	5106338	5106448	5106454
405	5104005	5106217	5106449	5106455
430	5106339	5106340	5106450	5106456
455	5104006	5106218	5106451	5106457
480	1491249	1491250	1485551	1485552
505	1431755	1434717	5106452	5106458



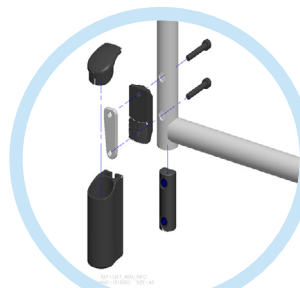
Velcro adjustable

Armrest attachment

Description	Article number
Flip up	1435492

Castor attachment

Description	Article number
Castor attachment fixed	1521752



Castor att. fixed



Depth adjustable seat

Safety

Description	Art.no	
	Left	Right
One arm brake	1492107	1492000
Brake kit 22" + 24" DB	1536462	1536463
Reflectors kit (wheel and chassi)	5104965	
Reflectors kit transport version	1435760	
Brake attachment	1492299	



Velcro adjustable

Accessories

Description	Article number
Cane holder	5104964

16" Transit wheels Spirea 2T

Description	Art.no.
16" solid DB wheels, pair	1537618
16" pneumatic DB wheels, pair	1537615



Cane holder

RRea™ **Spirea³**® – Individuelle dele

Indhold

 RRea™ Spirea³ ®	61
 Således er RRea™ Spirea³ ® målt	63
 Individuelt tilbehør til RRea™ Spirea³ ®	64

Rea™ **Spirea³®** – Individuelle dele

Rea™ **Spirea³®** til transport og hyppigt brug

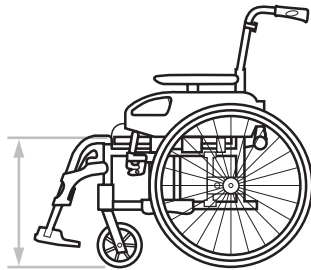
Rea™ **Spirea³®** er en foldbar allround letvægtskørestol med indstillingsmuligheder for brugere med god siddende balance og begrænset transportbehov. *Rea™* **Spirea³®** er designet således, at den er let at håndtere i alle henseender for både bruger, hjælper og terapeut. Efter opfordring fra vore kunder har vi gjort *Rea™* **Spirea³®** let at genbruge ved hjælp af høj teknisk kvalitet, lavt servicebehov og lette indstillingsmuligheder.



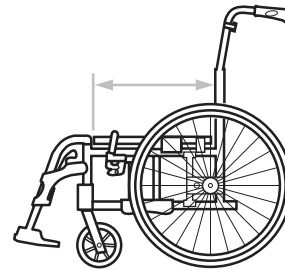
Rea™ Spirea³® – Individuelle dele

Således er Rea™ Spirea³® målt:

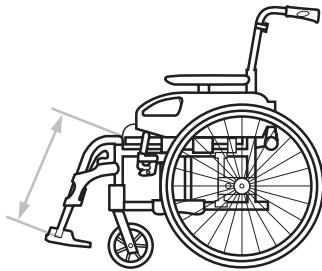
Seat height



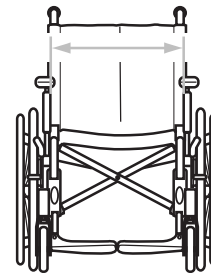
Seat depth



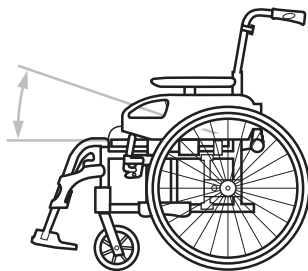
Legrest length



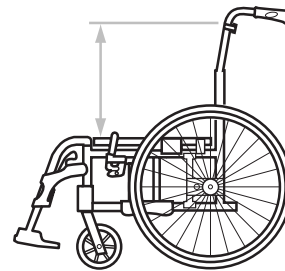
Seat width



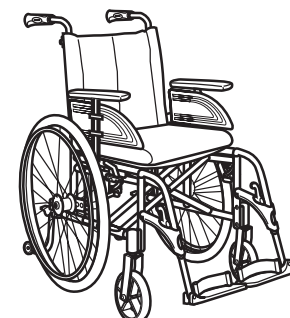
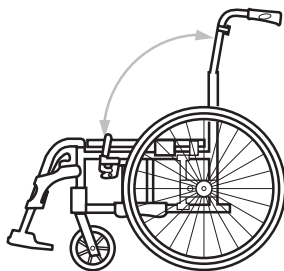
Seat angle



Backrest height



Backrest angle



Backrest type

Seat width in mm	Art.no.	
	Velcro adjustable	
	Jemima	Grey Plush
380	1435649	1435653
405	1478559	1478563
430	1435650	1435654
455	1478560	1478564
480	1435651	1435655
505	1478561	1478565



Velcro adjustable

Seat type

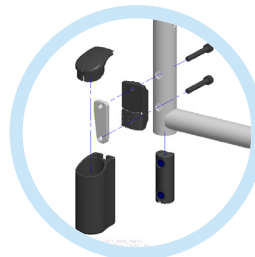
Seat width in mm	Art.no.			
	Depth adjustable		Velcro adjustable	
	Seat depth 40	Seat depth 45	Seat depth 40	Seat depth 45
380	5106337	5106338	5106448	5106454
405	5104005	5106217	5106449	5106455
430	5106339	5106340	5106450	5106456
455	5104006	5106218	5106451	5106457
480	1491249	1491250	1485551	1485552
505	1431755	1434717	5106452	5106458



Depth adjustable seat

Armrest attachment

Description	Art.no.
Flip up	1435492



Attachment fixed

Castor attachment

Description	Art.no.
Castor attachment fixed	1521752



Cane holder

Brake kit 22" + 24" DB, seat angle 0°

Description	Art.no.			
	Active rear wheel plate		Passive rear wheel plate	
	left	right	left	right
Brake kit 22" + 24" DB	1536375	1536376	1536462	1536463

Brake kit 22" + 24" DB, seat angle 3°

Description	Art.no.	
	pneumatic	solid
Brake kit 22" + 24" DB	1536766	1536767

One arm brake

Description	Art.no.	
	Pneumatic	Solid
Seatwidth in mm		
380	1513044	1513045
405	1513044	1513045
430	1513046	1513095
455	1513046	1513095
480	1513046	1513095
505	1513046	1513095

Accessories

Description	Art.no.
Cane holder	5104964

Safety

Description	Art.no.
Reflectors kit (wheel and chassis)	5104965
Brake attachment	1492299
Anti-tip device swing-away	1513004

Rea™ **Spirea⁴_{NG}** – Individuelle dele

Indhold

 Spirea_{NG}	65
 Således er Spirea_{NG} målt	67
 Individuelt tilbehør til Spirea_{NG}	68

Rea[™] **Spirea⁴**_{NG} – Individuelle dele

Genopdag den frie bevægelighed

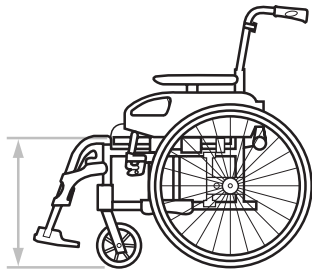
Rea[™] **Spirea⁴**_{NG} er en dynamisk og yderst holdbar letvægts krydsrammekørestol, der er ideel til daglig brug. Invacare[®] har efter ønsker fra terapeuter og brugere prioriteret, hvordan **Spirea⁴**_{NG} skulle designes. Vi tilbyder derfor en enkel håndtering, lette justeringsmuligheder, høj teknisk kvalitet og lav vedligeholdelse, hvilket gør **Spirea⁴**_{NG} til det perfekte valg.



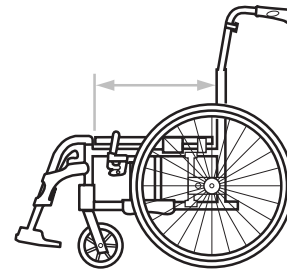
Rea™ Spirea⁴®_{NG} – Individuelle dele

Således er Rea™ Spirea⁴® målt:

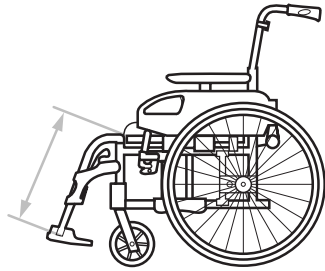
Seat height



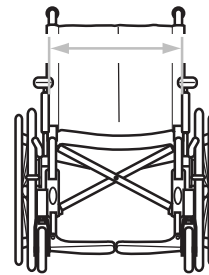
Seat depth



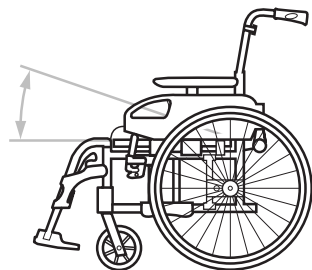
Legrest length



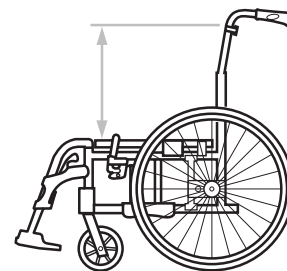
Seat width



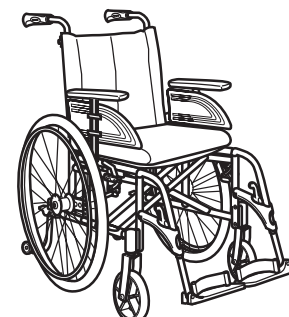
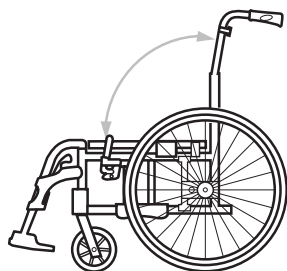
Seat angle



Backrest height

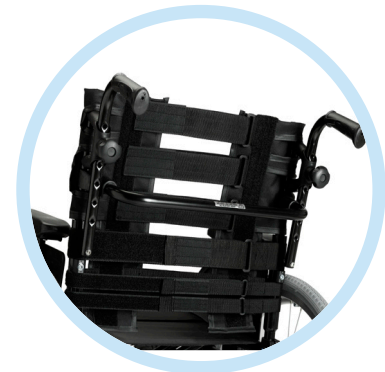


Backrest angle



Propulsion type	
Description	Art.no.
	Velcro adjustable
	Jemima
Standard wheel hub	1533910
Assistant manouvered drumbrakes	1535066
16" Wheels pneumatic profiled	1537615
16" Wheels solid	1537618

Backrest base, fixed & angle adjustable backrest		
Description	Art.no	
	Fixed	Angle adjustable
Backrest base	1534662	1534644



Backrest base

Backrest tube (2pcs / backrest)	
Description	Art.no
Backrest tube, fixed backrest	1434742
Backrest tube, adj backrest 350 - 480	1523773
Backrest tube, adj backrest 480 - 550	1533991

Backrest upholstery							
Description	Seatwidth in mm						
	355	380	405	430	455	480	505
Adjustable velcro	-	1435649	1478559	1435650	1478560	1435651	1478561
Sling upholstery	1495839	1495840	1495841	1495842	1495843	1495844	1495845

Seat type								
Description	Seatdepth in mm	Seatwidth in mm						
		355	380	405	430	455	480	505
Sling seat, depth adjustable	380-400	1534848	1534850	1534851	1534852	1534863	1534870	1534940
	400-450	1534849	1437580	1437581	1437582	1437583	1437584	1437585
	450-500	-	-	-	-	1534869	1534939	1534941
Velcro tension adjustable in depth and shape	380-400	-	1533431	1533432	1533433	1533434	1533435	1533436
	400-450	-	1533438	1533439	1533440	1533441	1533442	1533443
	450-500	-	-	-	-	1533448	1533449	1533450

Complete Amputee legrests

Description	Seatwidth in mm						
	355	380	405	430	455	480	505
Legrest amputee, LH	-	1429192-0509			1429211-0509		
Legrest amputee, RH	-	1429191-0509			1429212-0509		



Fixed footplate



Legrest amputee

Fixed footrest

Description	Seatwidth in mm						
	355	380	405	430	455	480	505
Footrest lower part, fixed footplate, short tube, LH	-	1530620		1530622		1530623	
Footrest lower part, fixed footplate, long tube, LH	-	1530633		1530634		1530635	
Footrest lower part, fixed footplate, short tube, RH	-	1530614		1530616		1530617	
Footrest lower part, fixed footplate, long tube, RH	-	1530630		1530631		1530632	

Armrest type

Armrest type	Art.no	
	left	right
Armrest Comfort, height adjustable, short pad	1536814	1536815
Armrest Comfort, height adjustable, long pad	1536816	1536817



Armrest Comfort, short pad

Castors

Description	Art.no		
	Solid, medium hard	Solid	Pneumatic profiled
Castors 120 mm	-	1450173	-
Castors 140 mm	1515254	-	-
Castors 150 mm	1450622	1450174	1450175
Castors 200 mm (8" x 1.1/4")	-	1431352	1431351
Castors 200 mm (8" x 2")	-	1431759	1431353



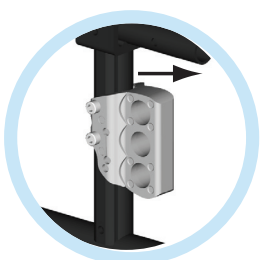
Castor with fork

Castor forks	
Armrest type	Art.no
Castor attachment, fork L36 (5 inch), pair	1534977
Castor attachment, fork L60 (5,5 inch), pair	1534978
Castor attachment, fork L36 (6 inch & 8 inch), pair	1535043
Castor attachment, fork L60 (6 inch & 8 inch), pair	1535044

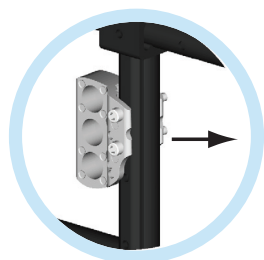
Rearwheel attachment		
Description	Art.no	
	Std wheel hub	DB
Active rear wheel position	1534828	
Standard rear wheel position	1535065	
Passive rear wheel position		
Dual amputee rear wheel position	1534828	



Rearwheel attachment
Active



Standard rearwheel position



Passive rear wheel position

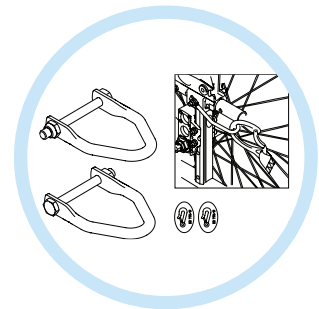
Rear wheel attachment, one arm drive		
Description	Art.no	
	Solid	Pneumatic profiled
Rear wheel attachment, one arm drive	1535065	1534828

One arm drive				
Description	Art.no.			
Tyre type	Pneumatic profiled		Solid	
Seatwidth in mm	380 - 430	455 - 505	380 - 430	455 - 505
Dual handrim + Active rear wheel position or Dual amputee rear wheel position	1513269	1513270	1513271	1513272
Dual handrim + Standard rear wheel position or Passive rear wheel position				

Rear wheel attachment, 16" wheels		
Description	Art.no	
	left	right
Rear wheel attachment, 16" wheels	1440040	1435464

Transportation kit

Description	Art.no
Transportation kit Spirea4 NG	1534090



Transportation kit

Safety

Description	Art.no	
	left	right
One arm brake	1430203	1430202

Brake kit Spirea 4NG

Description	Art.no	
	left	right
Brake kit 22" + 24" DB	1536733	1536734
Brake user manouvered 16"	1533834	1533908

Anti-tip device

Description	Art.no
Anti-tip device, traditional	1484890 *
Anti-tip device, swing away	1535046 *

* In addition 2 pcs of art.no: 5716276



Anti-tip device, traditional

Pelvic belt

Description	Art.no
Belt buckle	0572-05389




Anti-tip device, swing away

Fitting kit table, Spirea 4

Armrest type	Art.no
Height adjustable Rio, long	1446177
Height adjustable Comfort, long	1446201

Indhold

 XLT*	72
 Således er XLT målt	74
 Individuelt tilbehør til XLT .	75

Et aktivt liv med støtte!

Den nye *Invacare® XLT.* er en fastrammestol der er idel som kørestole til dagligt brug. Stolen er designet til at kunne justeres til brugerens behov, og derfor tilbyder sine brugere en fantastisk støtte, selvstændighed, mobilitet og mulighed for at være aktiv.



Invacare® XLT.



Invacare® XLT. Swing

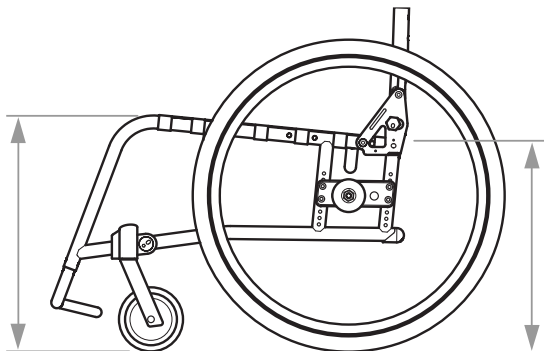


Invacare® XLT. Max

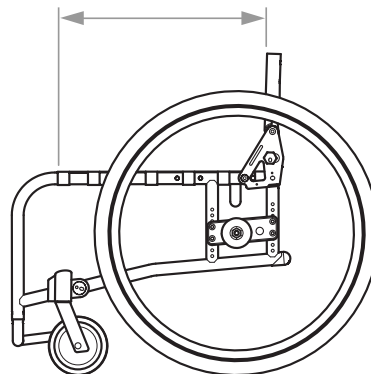
Invacare® XLT™ – Individuelle dele

Således er Invacare® XLT målt:

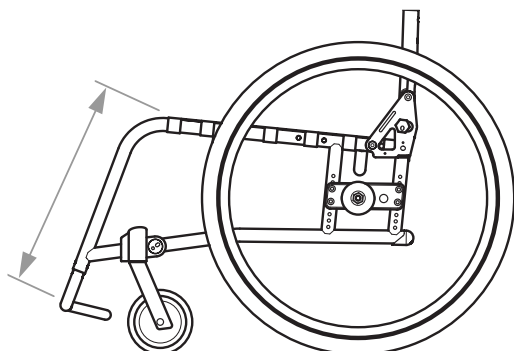
Seat height



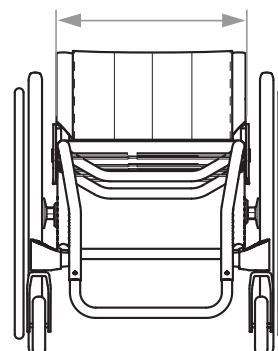
Seat depth



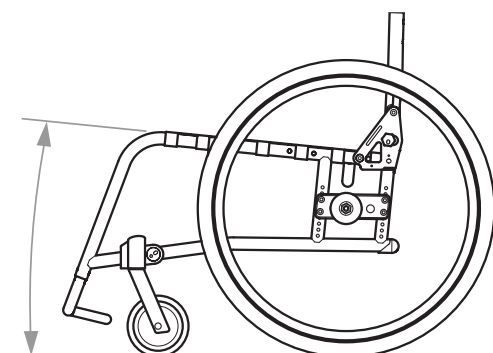
Legrest length



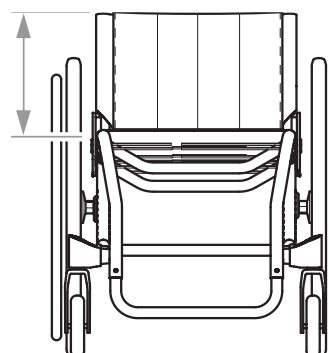
Seat width



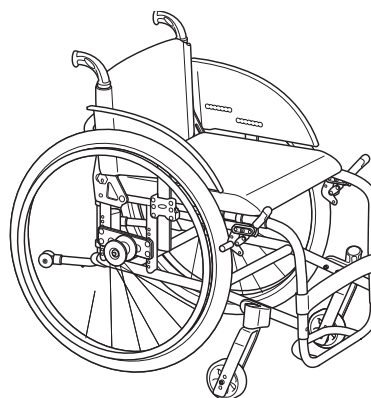
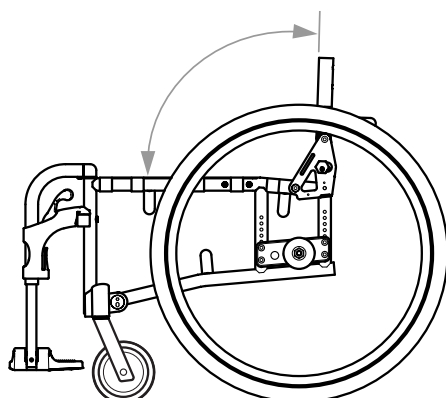
Seat angle



Backrest height



Backrest angle



* As the dimensions are in whole cm steps it might in reality mean slightly more or less adding a couple of mm

Backrest type Velcro, tension adjustable, fixed height

Description	Art.no.							
	Seatwidth in mm							
Fixed backrest height in mm	330 *	355	380	405	430	455	480	505*
Fixed backrest height 200	1518650	1508716	1508720	1508724	1508728	1508732	1508736	1508740
Fixed backrest height 250	1518651	1508717	1508721	1508725	1508729	1508733	1508737	1508741
Fixed backrest height 300	1518652	1508718	1508722	1508726	1508730	1508734	1508738	1508742
Fixed backrest height 350	1518653	1508719	1508723	1508727	1508731	1508735	1508739	1508743

* XLT Swing

Backrest upholstery, fixed backrest

Description	Art.no.							
	Seatwidth in mm							
Adjustable backrest height in mm	330 *	355	380	405	430	455	480	505*
Fixed backrest height 200	1518668	1512549	1512593	1512606	1512630	1512633	1512654	1512657
Fixed backrest height 250								
Fixed backrest height 300	1518669	1512562	1512604	1512628	1512631	1512634	1512655	1512658
Fixed backrest height 350								

* XLT Swing

Backrest type Velcro, tension adjustable, adjustable height

Description	Art.no.							
	Seatwidth in mm							
Adjustable backrest height in mm	330 *	355	380	405	430	455	480	505*
Adj backrest height 300 - 320	1518654	1508716	1508720	1508724	1508728	1508732	1508736	1508740
Adj backrest height 350 - 390	1518655	1508717	1508721	1508725	1508729	1508733	1508737	1508741
Adj backrest height 400 - 440	1518656	1508718	1508722	1508726	1508730	1508734	1508738	1508742
Adj backrest height 450 - 490	1518657	1508719	1508723	1508727	1508731	1508735	1508739	1508743

* XLT Swing

Backrest upholstery, adjustable backrest

Description	Art.no.							
	Seatwidth in mm							
Adjustable backrest height in mm	330 *	355	380	405	430	455	480	505*
Adj backrest height 300 - 390	1518669	1512562	1512604	1512628	1512631	1512634	1512655	1512658
Adj backrest height 400 - 490	1518670	1512563	1512605	1512629	1512632	1512653	1512656	1512659

* XLT Swing

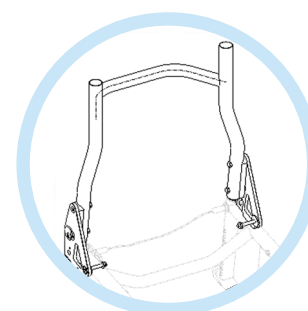
Narrow back *							
Description	Art.no.						
	Seatwidth in mm						
Narrow back, velcro tension adj, fixed height, infinitely variable AA, foldable & click in backrest	355	380	405	430	455	480	505**
Fixed backrest height 350 mm	1516333	1516334	1516335	1516336	1516337	1516338	1516339

* Not for XLT Max ** XLT Swing

Backrest upholstery, narrow back							
Description	Art.no.						
	Seatwidth in mm						
Upholstery narrow back	355	380	405	430	455	480	505*
Fixed backrest height 350 mm	1517360	1517361	1517362	1517363	1517364	1517365	1517366

* XLT Swing

Backrest type Velcro tension adjustable, adjustable height, XLT Max			
Description	Art.no.		
	Seatwidth in mm		
	505	555	605
Adjustable backrest height 400 - 440 mm	1528585	1528645	1528687
Adjustable backrest height 450 - 490 mm	1528642	1528684	1528688



Narrow back

Backrest upholstery adjustable backrest, XLT Max			
Description	Art.no.		
	Seatwidth in mm		
	505	555	605
Adjustable backrest height 400 - 440 cm	1535490	1535491	1535492
Adjustable backrest height 450 - 490 cm	1535490	1535491	1535492



Adjustable backrest XLT Max

Pushhandles including neckrest or headrest								
Description	Art.no.							
	330 *	355	380	405	430	455	480	505 *
Height adjustable pushhandles external long grip incl neckrest	1530506	1530510	1512788	1512789	1512790	1512791	1512792	1512793
Height adjustable pushhandles external long grip incl headrest	1530511	1530512	1512782	1512783	1512784	1512785	1512786	1512787
Height adjustable pushhandles external long grip incl headrest with cheek support	1530535	1530536	1512743	1512744	1512745	1512746	1512747	1512748

* XLT Swing

Pushhandles

Description	Art.no.
Fixed	1511455
Foldable	1511472
Height adjustable external short grip	1512795
Height adjustable external long grip	1512797
End part backrest when no pushhandles	1511595



Fixed pushhandles



Foldable pushhandles



Height adj. pushhandles

Seat type tension adjustable, depth adjustable 40 mm

Description	Art.no.							
	330	355	380	405	430	455	480	505
Seat type seat width in mm	330	355	380	405	430	455	480	505
Seatdepth 400 mm	1518674 *	1512243	1512244	1512301	1512389	1512393	1512496	1512497 *
Seatdepth 450 mm	1518675 *	1512498	1512499	1512500	1512501	1512502	1512503	1512504 *
Seatdepth 500 mm	-	1512505	1512506	1512507	1512529	1512530	1512547	1512548 *

* XLT Swing

Seat type tension adjustable, depth adjustable 40 mm

Description	Art.no		
	Tension adjustable, depth adjustable 4 cm XLT Max		
Seat type seat width in mm	SW 505	SW 555	SW 605
Seat depth 500 mm	1535453	1529661	1529754
Seat depth 550 mm	1529474	1529672	1529673
Seat depth 600 mm	1529660	1529673	1529756

Seat type tension adjustable, depth adjustable 40 mm

Description	Art.no		
	Flo-tech Contour seat cushion		
Seat type seat width in mm	SW 505	SW 555	SW 605
Seat depth 500 mm	1534690	1535692	1534694
Seat depth 550 mm	1534691	1534693	1534695
Seat depth 600 mm	-	-	-



Flo-tech Contour seat cushion

* XLT Swing

Fixed legrests coloured as the chassie (XLT Swing)

Description	Art.no.
Hangers 80° Pearl Grey	1493055-0515
Hangers 80° Shining Blue	1493055-0507
Hangers 80° Anthracite Black	1493055-0514
Hangers 80° Red	1493055-0501
Hangers 80° Orange (Special)	1493055-0518
Hangers 90° Pearl Grey	1493056-0515
Hangers 90° Shining Blue	1493056-0507
Hangers 90° Anthracite Black	1493056-0514
Hangers 90° Red	1493056-0501
Hangers 90° Orange (Special)	1493056-0518



Fixed legrest

Amputee legrest (XLT Swing)

Description	Art.no.	
	left	right
Amputee legrest	1512727	1512728



Amputee legrest

One piece footrest to fit seat width in mm

Description	Art.no.					
	Seat width in mm					
	355	380	405	430	455	480
Adjustable one piece footrest in depth and angle to fit Active and Dynamic frame	-	1512689	1512690		1512691	

Footrest High to fit seat width in mm (XLT 75/90)

Description	Art.no.					
	Seat width in mm					
	355	380	405	430	455	480
Footrests High to fit Active and Dynamic frame	1512692	1512693	1512694	1512758	1512759	1512760

Footrest High to fit seat width in mm (XLT Max)

Description	Art.no.		
	Seat width in mm		
	505	550	605
Footrests High to fit XLT Max	1536787	1536788	1536789

Footbow rigid to fit seat width in mm (XLT 75/90)

Seat width in mm	Art.no.	
	low	high
355	1512671	1512677
380	1512672	1512678
405	1512673	1512679
430	1512674	1512680
455	1512675	1512681
480	1512676	1512682



Footbow rigid

Cover for footbow rigid to fit seat width in mm

Seat width in mm	Art.no.
355	1512683
380	1512684
405	1512685
430	1512686
455	1512687
480	1512688

Footbow rigid, XLT Max, to fit seat width in mm

Seat width in mm	Art.no.
	Low
505	1528689
555	1528690
605	1528689



Footbow rigid, XLT Max

Cover for footbow rigid, XLT Max, to fit seat width in mm

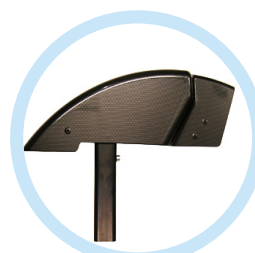
Seat width in mm	Art.no.
505	1532825
555	1532826
605	1532827

Armrest attachment

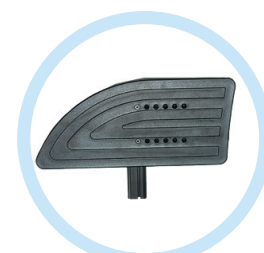
Description	Art.no.	
	left	right
Flip-up Rear (pair)	1512697	
Rio XLT (pair)	1512696	
XLT Max	1533950	

Armrest to the different wheelchair models

Description	Art.no.	
	left	right
Mudguard high	1512845	1512844
Mudguard low	1512847	1512846
Sideguard	1491238	1491237



Mudguard



Sideguard

Castor attachment type

Description	Art.no.	
	Active/Dynamic frame	Swing frame / XLT Max
Castor attachment	1512844	1512845

Article number of castors in combination with forks

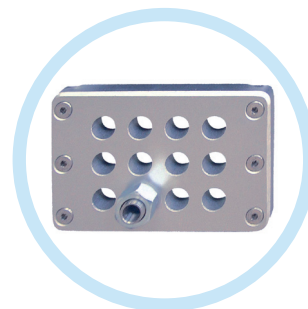
Castor (Approximate in inch")	Forks	Art.no. fixed castor + fork
75x24 soft (3")	75"	1512762
	110"	1512763
	150"	1512764
100x27 medium hard (4")	75"	1512765
	110"	1512766
	150"	1512767
125x27 soft (5")	110"	1512768
	150"	1512769
140x37 soft (5,5")	110"	1512770
	150"	1512771
150x27 medium hard (6")	110"	1512772
	150"	1512773
150x30 soft (6")	110"	1512774
	150"	1512775
150x32 pneumatic (6")	110"	1512776
	150"	1512777
180x40 pneumatic (7")	110"	1512780
	150"	1512781
180x40 soft (7")	110"	1512778
	150"	1512779



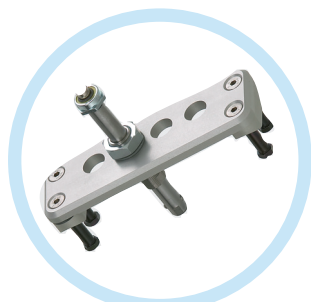
Castor cpl

Rearwheel attachment

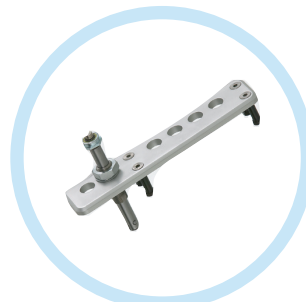
Description	Art.no.
Rearwheel fixation std 0 degrees	1511869
Camber kit 3 degrees	1511930
Rear wheel extension (behind backrest frame)	1512236
Kit, DB, cpl, pair, incl, attachm.	1512718



Rearwheel fixation std XLT Max



Camber 3 deg



Rearwheel extension

Rearwheels 24"

Description	Art.no.
Sporty low profile, aluminium handrim (24 x 1")	1483924
24" Spinergy, low profile (24x1"), black marathon evolution, titanium handrims	1497787
Puma low profile, aluminium handrim (24 x 1")	5750796
Sporty low profile Black Marathon plus evolution, aluminium handrim(24 x 1")	1512822
Black Marathon plus evolution, aluminium handrim (24 x 1")	1512709
Black Marathon plus evolution, stainless handrim(24 x 1")	1512710
Black Marathon plus evolution, plastic coated handrim (24 x 1")	1512711
Black Marathon plus evolution, foam coated handrim(24 x 1")	1512712
Black Marathon plus evolution, black grip handrim (24 x 1")	1512713
Black Marathon plus evolution, no handrim, no clips (24 x 1")	1512714

Rearwheels 24" with std handrims

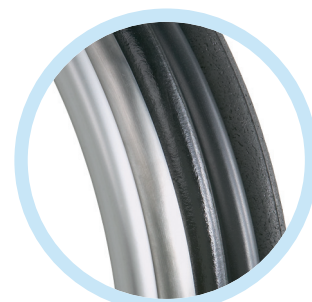
Description	24"		
	Handrims		
Tyres	Stainless	Foam coated	Black Grip
Low Profile	1531063	1531533	1531566
Pneumatic non marking	1530763	1531462	1531538
Pneumatic profiled	1530764	1531508	1531563
Solid	1530762	1531531	1531564
Puncture proof	1531129	1531532	1531565



Rearwheels

Rearwheels 24"DB with std handrims

Description	24"		
	Handrims		
Tyres	Stainless	Foam coated	Black Grip
Low Profile	-	-	-
Pneumatic non marking	1531064	1531534	1531567
Pneumatic profiled	1531080	1531535	1531568
Solid	1531127	1531536	1531569
Puncture proof	1531128	1531537	1531570



Handrims

Rearwheels 25" / 26"

Description	Art.no.
Pneumatic non marking, aluminium handrim 25"	1508583 *
Pneumatic non marking, aluminium handrim 26"	1508584 *

* Not for XLT Max

Rearwheels 24" XLT Max

Description	Art.no.				
	Aluminium	Stainless	Plastic coated	Foam coated	Black grip
24" Tyres black marathon evolution	1532143	1532144	1532183	1532184	1532185

Trunk support *

Description	Art.no.	
	left	right
Trunk support	1512867	1512866

* Not for XLT Max

One arm drive **

Description	Art.no.						
	Seat width in mm						
	355	380	405	430	455	480	505*
Profiled tyres	1512860		1512861			1512862	
Solid tyres	1512863		1512864			1512865	

* XLT Swing ** Not for XLT Max

Safety

Description	Art.no.	
	left	right
Standard brake	1512662	
Brake kit 22" + 24" DB, XLT Std	1536468	1536469
Brake kit 22" + 24" DB, XLT Max	1539477	1539478
Active brake **	1512665	
Performance brake *	1512668	
One arm brake **	1512669	1512670
Anti tip device	1512715	1512716
Anti tip device extended **	1518488	

* Not for XLT Swing and XLT Max ** Not for XLT Max



Standard brake



Active brake



Performance brake

INVACARE® EUROPE:

Belgium & Luxemburg: Invacare nv • Autobaan 22 • 8210 Loppem • www.invacare.be

Danmark: Invacare A/S • Sdr. Ringvej 37 • 2605 Brøndby • www.invacare.dk

Deutschland & Eastern Europe: Invacare Aquatec GmbH • Alemannenstraße 10 • 88316 Isny • www.invacare-aquatec.de

España: Invacare SA • c/ Areny • s/n Polígon Industrial de Celrà • 17460 Celrà (Girona) • www.invacare.es

European Distributor Organisation: Invacare • Kleiststraße 49 • 32457 Porta Westfalica • www.invacare.eu.com

France & Greece: Invacare Poirier SAS • Route de St Roch • 37230 Fondettes • www.invacare.fr

Ireland: Invacare Ireland • Unit 5 Seatown Business Campus • Seatown Rd • Swords • Dublin • www.invacare.ie

Italia: Invacare Mecc San s.r.l. • Via dei Pini 62 • 36016 Thiene (VI) • www.invacare.it

Nederland: Invacare BV • Celsiusstraat 46 • 6716 BZ Ede • www.invacare.nl

Norge & Iceland: Invacare AS • Grensesvingen 9 • Postboks 6230 Etterstad • 0603 Oslo • www.invacare.no

Österreich: Invacare Austria GmbH • Herzog Odilostrasse 101 • 5310 Mondsee • www.invacare.at

Portugal: Invacare Lda • Rua Estrada Velha, 949 • 4465-784 Leça do Balio • www.invacare.pt

Sverige & Suomi: Invacare AB • Fagerstagatan 9 • P.O. Box 66 • 16391 Spånga • www.invacare.se

Switzerland: Invacare AG • Benkenstrasse 260 • 4108 Witterswil • www.invacare.ch

United Kingdom: Invacare Ltd • Pencoed Technology park • Pencoed • Bridgend CF35 5HZ • www.invacare.co.uk



Yes, you can.®

Invacare® International • Route de Cité-Ouest 2 - 1196 Gland - Switzerland
www.invacare.eu.com