

# Spare Parts Catalogue

---

Version: 2015/07/30b EN



*küschall* **R33**



**Yes, you can.®**

## **General Information**

*For any order of spare parts the following information is required:*

- Product type*
- Product name & model*
- Serial Number*
- Part-Number*
- Part-Description*

*Exploded view drawings and code numbers are not contractual and subject to modification, in relation to Invacare® continuous product improvement policy to meet end users needs.*

*The reproduction or use of this work, or of any substantial part of this work, in any form or by any electronic, mechanical or other means, including photocopying, scanning and recording, and in any information storage and retrieval system, including electronic transmission, is forbidden without the prior written permission of Invacare® International Sarl.*



Yes, you can.®

## TABLE OF CONTENTS

---

### INFORMATION

Frame colours .....	5
CPS colours .....	6

### CHASSIS

CHASSIS .....	7
Frame 75° .....	8
Frame 90° .....	12
Centerpart .....	16
Axle tubes .....	18

### SEAT

SEAT .....	19
Seat module .....	20
Seat frame, cover standard =>31.12.2011 .....	22
Seat frame, cover standard 01.01.2012=> .....	25
Seat frame, cover tension adjustable =>31.12.2011 .....	27
Seat frame, cover tension adjustable 01.01.2012=> .....	30
Seat frame, cover light =>31.12.2011 .....	32
Seat frame, cover light 01.01.2012=> .....	35
Seat cushion standard .....	37
Seat cushion Alcantara .....	38

### BACKREST

BACKREST .....	42
Backrest .....	43
Bands to adjustable backrest .....	45
Cover to adjustable backrest .....	46
Cover to adjustable backrest Alcantara .....	48

### FOOTREST

FOOTREST .....	51
Footrest standard .....	52
Footrest angle adjustable .....	53
Footrest mounted in high position .....	54
Calf strap .....	55

### SIDERESTS

SIDERESTS .....	56
Clothes-guards .....	57
Mudguards 01.11.2008=> .....	58
Siderest height adjustable 01.04.2008=> .....	59

### FRONT WHEELS

FRONT WHEELS .....	60
Front wheel supporter .....	61
Configuration table for front fork size .....	63
Front wheels .....	64



Yes, you can.®

## TABLE OF CONTENTS

---

### REAR WHEELS

REAR WHEELS .....	66
Küschall Starec wheels .....	67
High Performance wheel .....	70
Mountain bike wheel .....	72
Spinergy wheel .....	73
Spinergy LXX wheel .....	74
Ultra-light fibre wheel .....	75
Handrim .....	76
Fixation handrim .....	77
Tyre .....	78
Inner tube and rim protector .....	79
Spokes guard .....	80
Quick release axle and bearing .....	81



















### BRAKES

BRAKES .....	82
Brakes .....	83

### OPTIONS & ACCESSORIES

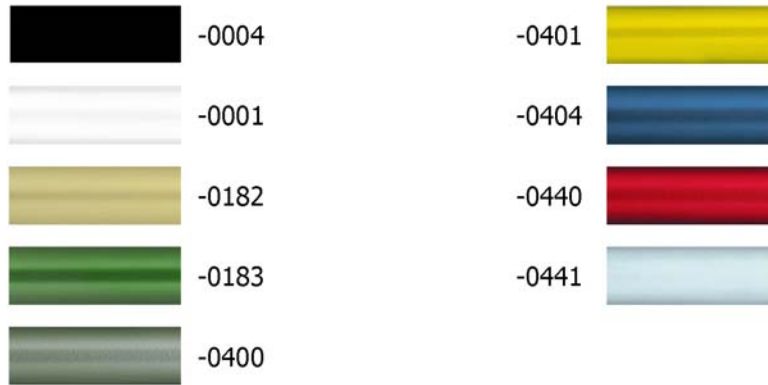
OPTIONS & ACCESSORIES .....	84
Antitipper .....	85
Chair accessories .....	86
Luggage holder .....	87
Winter accessories .....	88
Fixation: screws, ... ..	89
Socket head cap screws .....	90
Countersunk screws .....	93
Button head screws .....	95
Hex-head screws, diverse, ... ..	97
Washers .....	99
Nuts .....	101
Pins, rivets, ... ..	103

## Frame colours

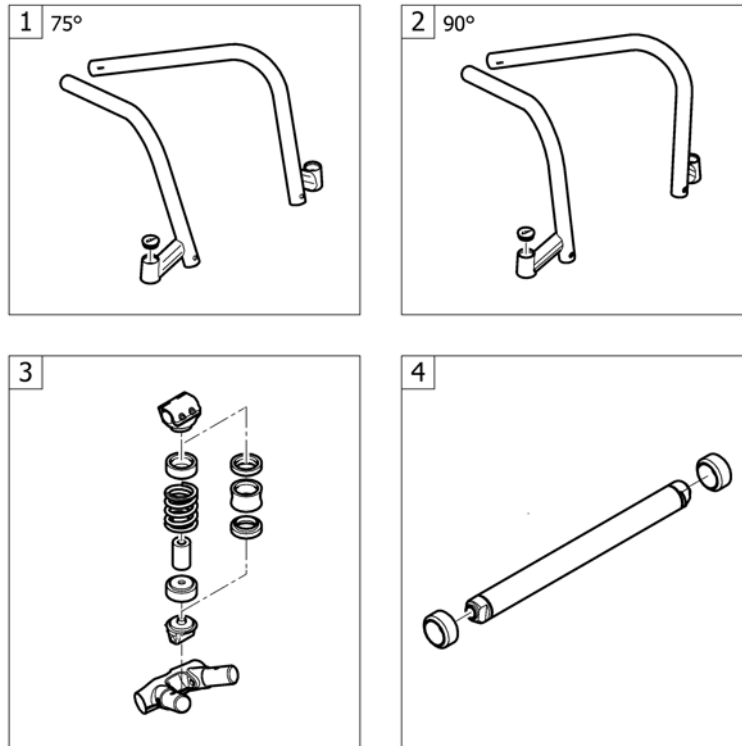
	-0121		-0446
	-0122		-0447
	-0184		-0448
	-0185		-0449
	-0410		-0450
	-0411		-0451
	-0419		-3524
	-0442		-5969
	-0445		-9005

Pos.	Part number	Description	Valid from → until	Qty
-0121	-	Color code for black-grey rustico frames	2012-01-01 → 2014-12-31	0
-0122	-	Color code for golden beach frames	2013-01-01 → 2014-12-31	0
-0184	-	Color code for mercury blue frames	2015-01-01 →	0
-0185	-	Color code for dynamite orange frames	2015-01-01 →	0
-0410	-	Color code for polished frames		0
-0411	-	Color code for black matt frames	2010-07-01 →	0
-0419	-	Color code for silver grey frames		0
-0442	-	Color code for night shimmer frames		0
-0445	-	Color code for ivory white frames	2010-01-01 →	0
-0446	-	Color code for purple fire frames	2010-01-01 →	0
-0447	-	Color code for emerald green frames	2010-01-01 → 2012-12-31	0
-0448	-	Color code for midnight blue frames	2010-01-01 → 2012-12-31	0
-0449	-	Color code for umber glaze frames	2010-01-01 → 2014-12-31	0
-0450	-	Color code for smokey grey frames	2010-01-01 →	0
-0451	-	Color code for flashy yellow frames	2011-07-01 →	0
-3524	-	Color code for royal red frames		0
-5969	-	Color code for royal blue frames	2010-07-01 →	0
-9005	-	Color code for glossy black frames		0

## CPS colours

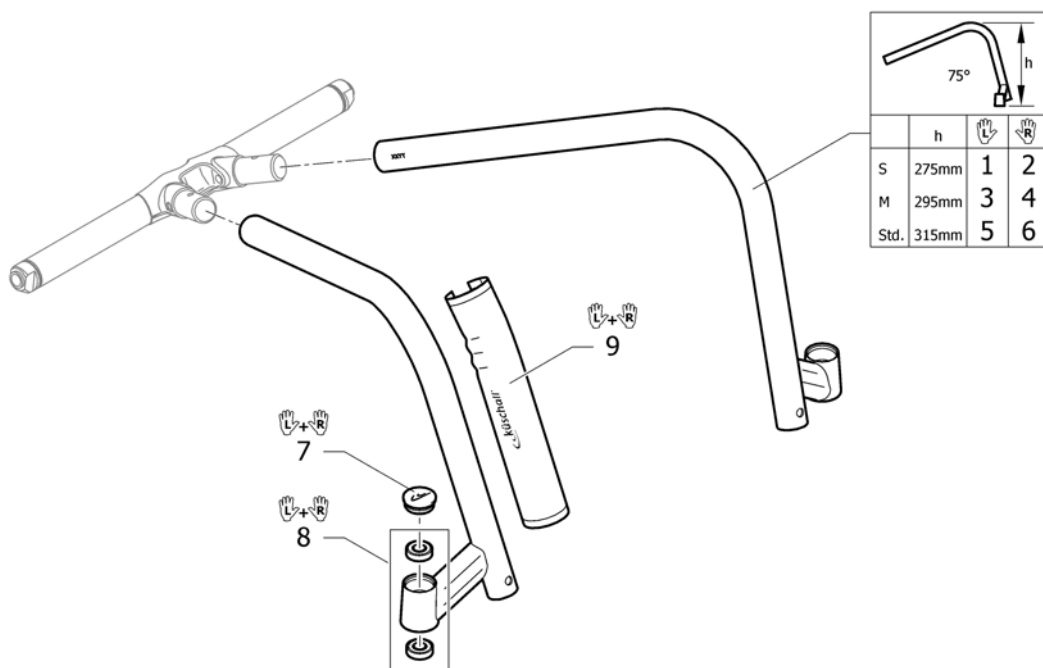


Pos.	Part number	Description	Valid from → until	Qty
-0004	-	Color code for black anodized CPS		0
-0001	-	Color code for chrome CPS	2011-07-01 →	0
-0182	-	Color code for champagne CPS	2013-01-01 →	0
-0183	-	Color code for olive CPS	2013-01-01 →	0
-0400	-	Color code for techno-anthrazit CPS		0
-0401	-	Color code for lemon CPS	2007-01-01 → 2012-12-31	0
-0404	-	Color code for b-blue CPS		0
-0440	-	Color code for comet red CPS		0
-0441	-	Color code for arctic blue CPS		0

**CHASSIS**

Pos.	Part number	Description	Valid from → until	Qty
1	-	Frame 75°		1
2	-	Frame 90°		1
3	-	Centerpart		1
4	-	Axle tubes		1

# Frame 75°



Pos.	Part number	Description	Valid from → until	Qty
1	1556745-0121	Frame R33 short, left 75°, black-grey rustico	2012-01-01 → 2014-12-31	1
1	1556745-0122	Frame R33 short, left 75°, golden beach	2013-01-01 → 2014-12-31	1
1	1556745-0184	Frame R33 short, left 75°, mercury blue	2015-01-01 →	1
1	1556745-0185	Frame R33 short, left 75°, dynamite orange	2015-01-01 →	1
1	1556745-0410	Frame R33 short, left 75°, polished	2012-01-01 →	1
1	1556745-0411	Frame R33 short, left 75°, black matt	2012-01-01 →	1
1	1556745-0419	Frame R33 short, left 75°, silver grey	2012-01-01 →	1
1	1556745-0442	Frame R33 short, left 75°, night shimmer	2012-01-01 →	1
1	1556745-0445	Frame R33 short, left 75°, ivory white	2012-01-01 →	1
1	1556745-0446	Frame R33 short, left 75°, purple fire	2012-01-01 →	1
1	1556745-0447	Frame R33 short, left 75°, emerald green	2012-01-01 → 2012-12-31	1
1	1556745-0448	Frame R33 short, left 75°, midnight blue	2012-01-01 → 2012-12-31	1
1	1556745-0449	Frame R33 short, left 75°, umber glaze	2012-01-01 → 2014-12-31	1
1	1556745-0450	Frame R33 short, left 75°, smokey grey	2012-01-01 →	1
1	1556745-0451	Frame R33 short, left 75°, flashy yellow	2012-01-01 →	1
1	1556745-3524	Frame R33 short, left 75°, royal red	2012-01-01 →	1
1	1556745-5969	Frame R33 short, left 75°, royal blue	2012-01-01 →	1
1	1556745-9005	Frame R33 short, left 75°, glossy black	2012-01-01 →	1
2	1556744-0121	Frame R33 short, right 75°, black-grey rustico	2012-01-01 → 2014-12-31	1
2	1556744-0122	Frame R33 short, right 75°, golden beach	2013-01-01 → 2014-12-31	1
2	1556744-0184	Frame R33 short, right 75°, mercury blue	2015-01-01 →	1
2	1556744-0185	Frame R33 short, right 75°, dynamite orange	2015-01-01 →	1
2	1556744-0410	Frame R33 short, right 75°, polished	2012-01-01 →	1
2	1556744-0411	Frame R33 short, right 75°, black matt	2012-01-01 →	1
2	1556744-0419	Frame R33 short, right 75°, silver grey	2012-01-01 →	1
2	1556744-0442	Frame R33 short, right 75°, night shimmer	2012-01-01 →	1



## Frame 75°

Pos.	Part number	Description	Valid from → until	Qty
2	1556744-0445	Frame R33 short, right 75°, ivory white	2012-01-01 →	1
2	1556744-0446	Frame R33 short, right 75°, purple fire	2012-01-01 →	1
2	1556744-0447	Frame R33 short, right 75°, emerald green	2012-01-01 → 2012-12-31	1
2	1556744-0448	Frame R33 short, right 75°, midnight blue	2012-01-01 → 2012-12-31	1
2	1556744-0449	Frame R33 short, right 75°, umber glaze	2012-01-01 → 2014-12-31	1
2	1556744-0450	Frame R33 short, right 75°, smokey grey	2012-01-01 →	1
2	1556744-0451	Frame R33 short, right 75°, flashy yellow	2012-01-01 →	1
2	1556744-3524	Frame R33 short, right 75°, royal red	2012-01-01 →	1
2	1556744-5969	Frame R33 short, right 75°, royal blue	2012-01-01 →	1
2	1556744-9005	Frame R33 short, right 75°, glossy black	2012-01-01 →	1
3	1556743-0121	Frame R33 medium, left 75°, black-grey rustico	2012-01-01 → 2014-12-31	1
3	1556743-0122	Frame R33 medium, left 75°, golden beach	2013-01-01 → 2014-12-31	1
3	1556743-0184	Frame R33 medium, left 75°, mercury blue	2015-01-01 →	1
3	1556743-0185	Frame R33 medium, left 75°, dynamite orange	2015-01-01 →	1
3	1556743-0410	Frame R33 medium, left 75°, polished	2012-01-01 →	1
3	1556743-0411	Frame R33 medium, left 75°, black matt	2012-01-01 →	1
3	1556743-0419	Frame R33 medium, left 75°, silver grey	2012-01-01 →	1
3	1556743-0442	Frame R33 medium, left 75°, night shimmer	2012-01-01 →	1
3	1556743-0445	Frame R33 medium, left 75°, ivory white	2012-01-01 →	1
3	1556743-0446	Frame R33 medium, left 75°, purple fire	2012-01-01 →	1
3	1556743-0447	Frame R33 medium, left 75°, emerald green	2012-01-01 → 2012-12-31	1
3	1556743-0448	Frame R33 medium, left 75°, midnight blue	2012-01-01 → 2012-12-31	1
3	1556743-0449	Frame R33 medium, left 75°, umber glaze	2012-01-01 → 2014-12-31	1
3	1556743-0450	Frame R33 medium, left 75°, smokey grey	2012-01-01 →	1
3	1556743-0451	Frame R33 medium, left 75°, flashy yellow	2012-01-01 →	1
3	1556743-3524	Frame R33 medium, left 75°, royal red	2012-01-01 →	1
3	1556743-5969	Frame R33 medium, left 75°, royal blue	2012-01-01 →	1
3	1556743-9005	Frame R33 medium, left 75°, glossy black	2012-01-01 →	1
4	1556742-0121	Frame R33 medium, right 75°, black-grey rustico	2012-01-01 → 2014-12-31	1
4	1556742-0122	Frame R33 medium, right 75°, golden beach	2013-01-01 → 2014-12-31	1
4	1556742-0184	Frame R33 medium, right 75°, mercury blue	2015-01-01 →	1
4	1556742-0185	Frame R33 medium, right 75°, dynamite orange	2015-01-01 →	1
4	1556742-0410	Frame R33 medium, right 75°, polished	2012-01-01 →	1
4	1556742-0411	Frame R33 medium, right 75°, black matt	2012-01-01 →	1
4	1556742-0419	Frame R33 medium, right 75°, silver grey	2012-01-01 →	1
4	1556742-0442	Frame R33 medium, right 75°, night shimmer	2012-01-01 →	1
4	1556742-0445	Frame R33 medium, right 75°, ivory white	2012-01-01 →	1
4	1556742-0446	Frame R33 medium, right 75°, purple fire	2012-01-01 →	1
4	1556742-0447	Frame R33 medium, right 75°, emerald green	2012-01-01 → 2012-12-31	1
4	1556742-0448	Frame R33 medium, right 75°, midnight blue	2012-01-01 → 2012-12-31	1
4	1556742-0449	Frame R33 medium, right 75°, umber glaze	2012-01-01 → 2014-12-31	1
4	1556742-0450	Frame R33 medium, right 75°, smokey grey	2012-01-01 →	1
4	1556742-0451	Frame R33 medium, right 75°, flashy yellow	2012-01-01 →	1
4	1556742-3524	Frame R33 medium, right 75°, royal red	2012-01-01 →	1
4	1556742-5969	Frame R33 medium, right 75°, royal blue	2012-01-01 →	1

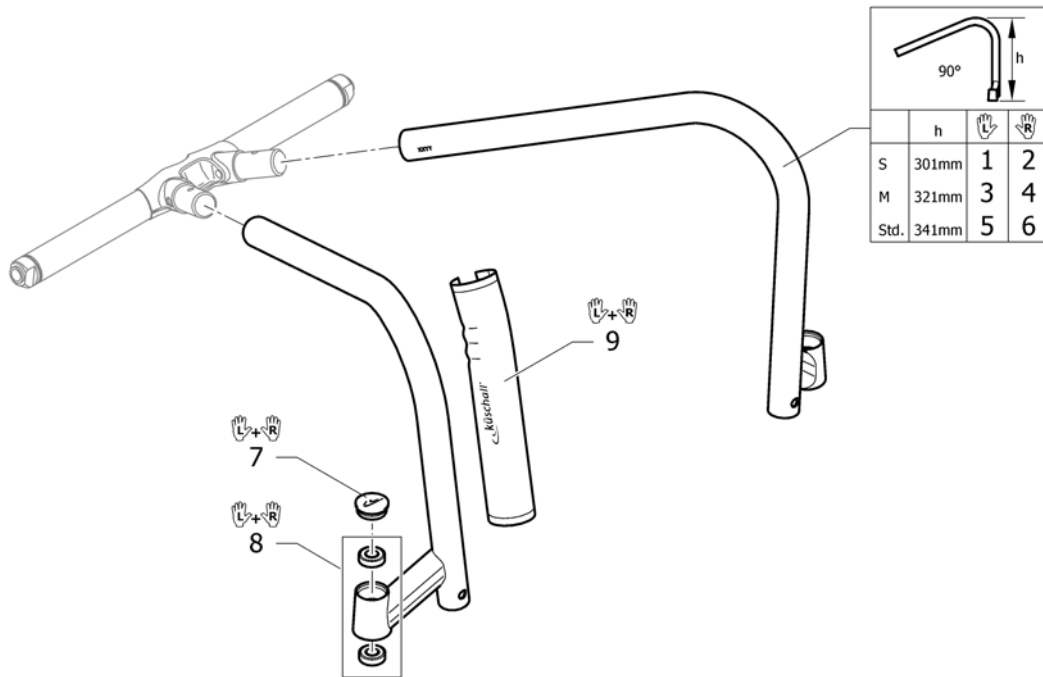
## Frame 75°

Pos.	Part number	Description	Valid from → until	Qty
4	1556742-9005	Frame R33 medium, right 75°, glossy black	2012-01-01 →	1
5	1498800-0121	Frame R33 Std, left 75°, black-grey rustico	2012-01-01 → 2014-12-31	1
5	1498800-0122	Frame R33 Std, left 75°, golden beach	2013-01-01 → 2014-12-31	1
5	1498800-0184	Frame R33 Std, left 75°, mercury blue	2015-01-01 →	1
5	1498800-0185	Frame R33 Std, left 75°, dynamite orange	2015-01-01 →	1
5	1498800-0410	Frame R33 Std, left 75°, polished		1
5	1498800-0411	Frame R33 Std, left 75°, black matt	2010-07-01 →	1
5	1498800-0419	Frame R33 Std, left 75°, silver grey		1
5	1498800-0442	Frame R33 Std, left 75°, night shimmer		1
5	1498800-0445	Frame R33 Std, left 75°, ivory white	2010-01-01 →	1
5	1498800-0446	Frame R33 Std, left 75°, purple fire	2010-01-01 →	1
5	1498800-0447	Frame R33 Std, left 75°, emerald green	2010-01-01 → 2012-12-31	1
5	1498800-0448	Frame R33 Std, left 75°, midnight blue	2010-01-01 → 2012-12-31	1
5	1498800-0449	Frame R33 Std, left 75°, umber glaze	2010-01-01 → 2014-12-31	1
5	1498800-0450	Frame R33 Std, left 75°, smokey grey	2010-01-01 →	1
5	1498800-0451	Frame R33 Std, left 75°, flashy yellow	2011-07-01 →	1
5	1498800-3524	Frame R33 Std, left 75°, royal red		1
5	1498800-5969	Frame R33 Std, left 75°, royal blue	2010-07-01 →	1
5	1498800-9005	Frame R33 Std, left 75°, glossy black		1
6	1498799-0121	Frame R33 Std, right 75°, black-grey rustico	2012-01-01 → 2014-12-31	1
6	1498799-0122	Frame R33 Std, right 75°, golden beach	2013-01-01 → 2014-12-31	1
6	1498799-0184	Frame R33 Std, right 75°, mercury blue	2015-01-01 →	1
6	1498799-0185	Frame R33 Std, right 75°, dynamite orange	2015-01-01 →	1
6	1498799-0410	Frame R33 Std, right 75°, polished		1
6	1498799-0411	Frame R33 Std, right 75°, black matt	2010-07-01 →	1
6	1498799-0419	Frame R33 Std, right 75°, silver grey		1
6	1498799-0442	Frame R33 Std, right 75°, night shimmer		1
6	1498799-0445	Frame R33 Std, right 75°, ivory white	2010-01-01 →	1
6	1498799-0446	Frame R33 Std, right 75°, purple fire	2010-01-01 →	1
6	1498799-0447	Frame R33 Std, right 75°, emerald green	2010-01-01 → 2012-12-31	1
6	1498799-0448	Frame R33 Std, right 75°, midnight blue	2010-01-01 → 2012-12-31	1
6	1498799-0449	Frame R33 Std, right 75°, umber glaze	2010-01-01 → 2014-12-31	1
6	1498799-0450	Frame R33 Std, right 75°, smokey grey	2010-01-01 →	1
6	1498799-0451	Frame R33 Std, right 75°, flashy yellow	2011-07-01 →	1
6	1498799-3524	Frame R33 Std, right 75°, royal red		1
6	1498799-5969	Frame R33 Std, right 75°, royal blue	2010-07-01 →	1
6	1498799-9005	Frame R33 Std, right 75°, glossy black		1
7	1487961-0004	Bearing block cap pair, black anodized		1
7	1487961-0001	Bearing block cap pair, chrome	2011-07-01 →	1
7	1487961-0182	Bearing block cap pair, champagne	2013-01-01 →	1
7	1487961-0183	Bearing block cap pair, olive	2013-01-01 →	1
7	1487961-0400	Bearing block cap pair, techno-anthrazit		1
7	1487961-0401	Bearing block cap pair, lemon	2007-01-01 → 2012-12-31	1
7	1487961-0404	Bearing block cap pair, b-blue		1
7	1487961-0440	Bearing block cap pair, comet red		1
7	1487961-0441	Bearing block cap pair, arctic blue		1
8	1451718	Bearing kit		1

**Frame 75°**

<b>Pos.</b>	<b>Part number</b>	<b>Description</b>	<b>Valid from → until</b>	<b>Qty</b>
9	1529372	Front frame protectors, pair	2009-07-01 →	1

# Frame 90°



Pos.	Part number	Description	Valid from → until	Qty
1	1556907-0121	Frame R33 short, left 90°, black-grey rustico	2012-01-01 → 2014-12-31	1
1	1556907-0122	Frame R33 short, left 90°, golden beach	2013-01-01 → 2014-12-31	1
1	1556907-0184	Frame R33 short, left 90°, mercury blue	2015-01-01 →	1
1	1556907-0185	Frame R33 short, left 90°, dynamite orange	2015-01-01 →	1
1	1556907-0410	Frame R33 short, left 90°, polished	2012-01-01 →	1
1	1556907-0411	Frame R33 short, left 90°, black matt	2012-01-01 →	1
1	1556907-0419	Frame R33 short, left 90°, silver grey	2012-01-01 →	1
1	1556907-0442	Frame R33 short, left 90°, night shimmer	2012-01-01 →	1
1	1556907-0445	Frame R33 short, left 90°, ivory white	2012-01-01 →	1
1	1556907-0446	Frame R33 short, left 90°, purple fire	2012-01-01 →	1
1	1556907-0447	Frame R33 short, left 90°, emerald green	2012-01-01 → 2012-12-31	1
1	1556907-0448	Frame R33 short, left 90°, midnight blue	2012-01-01 → 2012-12-31	1
1	1556907-0449	Frame R33 short, left 90°, umber glaze	2012-01-01 → 2014-12-31	1
1	1556907-0450	Frame R33 short, left 90°, smokey grey	2012-01-01 →	1
1	1556907-0451	Frame R33 short, left 90°, flashy yellow	2012-01-01 →	1
1	1556907-3524	Frame R33 short, left 90°, royal red	2012-01-01 →	1
1	1556907-5969	Frame R33 short, left 90°, royal blue	2012-01-01 →	1
1	1556907-9005	Frame R33 short, left 90°, glossy black	2012-01-01 →	1
2	1556906-0121	Frame R33 short, right 90°, black-grey rustico	2012-01-01 → 2014-12-31	1
2	1556906-0122	Frame R33 short, right 90°, golden beach	2013-01-01 → 2014-12-31	1
2	1556906-0184	Frame R33 short, right 90°, mercury blue	2015-01-01 →	1
2	1556906-0185	Frame R33 short, right 90°, dynamite orange	2015-01-01 →	1
2	1556906-0410	Frame R33 short, right 90°, polished	2012-01-01 →	1
2	1556906-0411	Frame R33 short, right 90°, black matt	2012-01-01 →	1
2	1556906-0419	Frame R33 short, right 90°, silver grey	2012-01-01 →	1
2	1556906-0442	Frame R33 short, right 90°, night shimmer	2012-01-01 →	1

## Frame 90°

Pos.	Part number	Description	Valid from → until	Qty
2	1556906-0445	Frame R33 short, right 90°, ivory white	2012-01-01 →	1
2	1556906-0446	Frame R33 short, right 90°, purple fire	2012-01-01 →	1
2	1556906-0447	Frame R33 short, right 90°, emerald green	2012-01-01 → 2012-12-31	1
2	1556906-0448	Frame R33 short, right 90°, midnight blue	2012-01-01 → 2012-12-31	1
2	1556906-0449	Frame R33 short, right 90°, umber glaze	2012-01-01 → 2014-12-31	1
2	1556906-0450	Frame R33 short, right 90°, smokey grey	2012-01-01 →	1
2	1556906-0451	Frame R33 short, right 90°, flashy yellow	2012-01-01 →	1
2	1556906-3524	Frame R33 short, right 90°, royal red	2012-01-01 →	1
2	1556906-5969	Frame R33 short, right 90°, royal blue	2012-01-01 →	1
2	1556906-9005	Frame R33 short, right 90°, glossy black	2012-01-01 →	1
3	1556747-0121	Frame R33 medium, left 90°, black-grey rustico	2012-01-01 → 2014-12-31	1
3	1556747-0122	Frame R33 medium, left 90°, golden beach	2013-01-01 → 2014-12-31	1
3	1556747-0184	Frame R33 medium, left 90°, mercury blue	2015-01-01 →	1
3	1556747-0185	Frame R33 medium, left 90°, dynamite orange	2015-01-01 →	1
3	1556747-0410	Frame R33 medium, left 90°, polished	2012-01-01 →	1
3	1556747-0411	Frame R33 medium, left 90°, black matt	2012-01-01 →	1
3	1556747-0419	Frame R33 medium, left 90°, silver grey	2012-01-01 →	1
3	1556747-0442	Frame R33 medium, left 90°, night shimmer	2012-01-01 →	1
3	1556747-0445	Frame R33 medium, left 90°, ivory white	2012-01-01 →	1
3	1556747-0446	Frame R33 medium, left 90°, purple fire	2012-01-01 →	1
3	1556747-0447	Frame R33 medium, left 90°, emerald green	2012-01-01 → 2012-12-31	1
3	1556747-0448	Frame R33 medium, left 90°, midnight blue	2012-01-01 → 2012-12-31	1
3	1556747-0449	Frame R33 medium, left 90°, umber glaze	2012-01-01 → 2014-12-31	1
3	1556747-0450	Frame R33 medium, left 90°, smokey grey	2012-01-01 →	1
3	1556747-0451	Frame R33 medium, left 90°, flashy yellow	2012-01-01 →	1
3	1556747-3524	Frame R33 medium, left 90°, royal red	2012-01-01 →	1
3	1556747-5969	Frame R33 medium, left 90°, royal blue	2012-01-01 →	1
3	1556747-9005	Frame R33 medium, left 90°, glossy black	2012-01-01 →	1
4	1556746-0121	Frame R33 medium, right 90°, black-grey rustico	2012-01-01 → 2014-12-31	1
4	1556746-0122	Frame R33 medium, right 90°, golden beach	2013-01-01 → 2014-12-31	1
4	1556746-0184	Frame R33 medium, right 90°, mercury blue	2015-01-01 →	1
4	1556746-0185	Frame R33 medium, right 90°, dynamite orange	2015-01-01 →	1
4	1556746-0410	Frame R33 medium, right 90°, polished	2012-01-01 →	1
4	1556746-0411	Frame R33 medium, right 90°, black matt	2012-01-01 →	1
4	1556746-0419	Frame R33 medium, right 90°, silver grey	2012-01-01 →	1
4	1556746-0442	Frame R33 medium, right 90°, night shimmer	2012-01-01 →	1
4	1556746-0445	Frame R33 medium, right 90°, ivory white	2012-01-01 →	1
4	1556746-0446	Frame R33 medium, right 90°, purple fire	2012-01-01 →	1
4	1556746-0447	Frame R33 medium, right 90°, emerald green	2012-01-01 → 2012-12-31	1
4	1556746-0448	Frame R33 medium, right 90°, midnight blue	2012-01-01 → 2012-12-31	1
4	1556746-0449	Frame R33 medium, right 90°, umber glaze	2012-01-01 → 2014-12-31	1
4	1556746-0450	Frame R33 medium, right 90°, smokey grey	2012-01-01 →	1
4	1556746-0451	Frame R33 medium, right 90°, flashy yellow	2012-01-01 →	1
4	1556746-3524	Frame R33 medium, right 90°, royal red	2012-01-01 →	1
4	1556746-5969	Frame R33 medium, right 90°, royal blue	2012-01-01 →	1

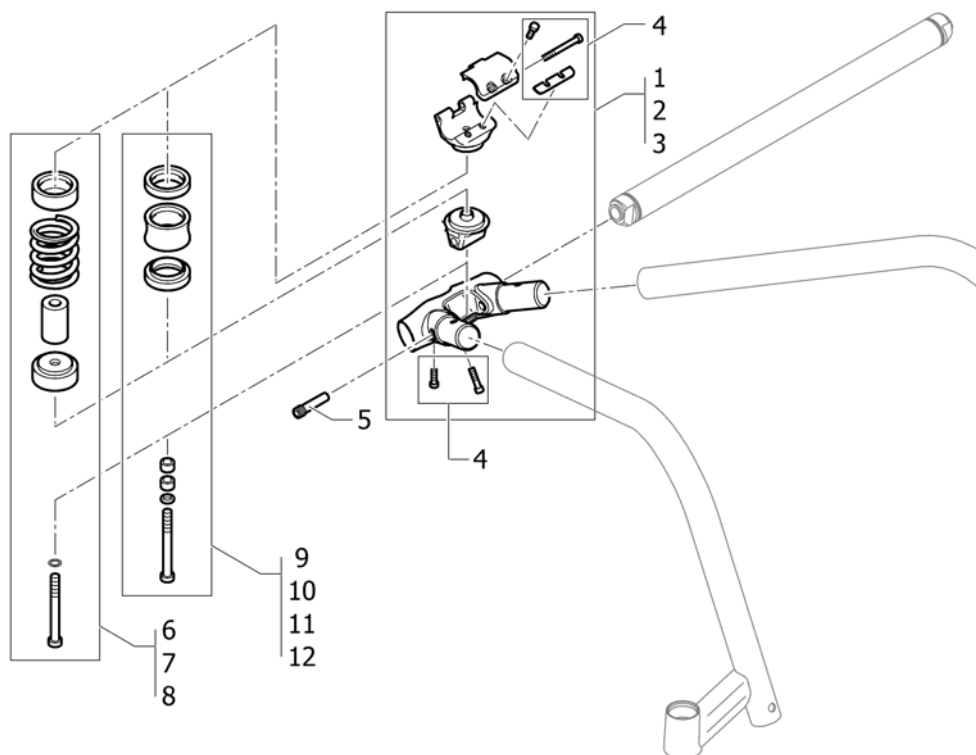
**Frame 90°**

Pos.	Part number	Description	Valid from → until	Qty
4	1556746-9005	Frame R33 medium, right 90°, glossy black	2012-01-01 →	1
5	1498802-0121	Frame R33 Std, left 90°, black-grey rustico	2012-01-01 → 2014-12-31	1
5	1498802-0122	Frame R33 Std, left 90°, golden beach	2013-01-01 → 2014-12-31	1
5	1498802-0184	Frame R33 Std, left 90°, mercury blue	2015-01-01 →	1
5	1498802-0185	Frame R33 Std, left 90°, dynamite orange	2015-01-01 →	1
5	1498802-0410	Frame R33 Std, left 90°, polished		1
5	1498802-0411	Frame R33 Std, left 90°, black matt	2010-07-01 →	1
5	1498802-0419	Frame R33 Std, left 90°, silver grey		1
5	1498802-0442	Frame R33 Std, left 90°, night shimmer		1
5	1498802-0445	Frame R33 Std, left 90°, ivory white	2010-01-01 →	1
5	1498802-0446	Frame R33 Std, left 90°, purple fire	2010-01-01 →	1
5	1498802-0447	Frame R33 Std, left 90°, emerald green	2010-01-01 → 2012-12-31	1
5	1498802-0448	Frame R33 Std, left 90°, midnight blue	2010-01-01 → 2012-12-31	1
5	1498802-0449	Frame R33 Std, left 90°, umber glaze	2010-01-01 → 2014-12-31	1
5	1498802-0450	Frame R33 Std, left 90°, smokey grey	2010-01-01 →	1
5	1498802-0451	Frame R33 Std, left 90°, flashy yellow	2011-07-01 →	1
5	1498802-3524	Frame R33 Std, left 90°, royal red		1
5	1498802-5969	Frame R33 Std, left 90°, royal blue	2010-07-01 →	1
5	1498802-9005	Frame R33 Std, left 90°, glossy black		1
6	1498801-0121	Frame R33 Std, right 90°, black-grey rustico	2012-01-01 → 2014-12-31	1
6	1498801-0122	Frame R33 Std, right 90°, golden beach	2013-01-01 → 2014-12-31	1
6	1498801-0184	Frame R33 Std, right 90°, mercury blue	2015-01-01 →	1
6	1498801-0185	Frame R33 Std, right 90°, dynamite orange	2015-01-01 →	1
6	1498801-0410	Frame R33 Std, right 90°, polished		1
6	1498801-0411	Frame R33 Std, right 90°, black matt	2010-07-01 →	1
6	1498801-0419	Frame R33 Std, right 90°, silver grey		1
6	1498801-0442	Frame R33 Std, right 90°, night shimmer		1
6	1498801-0445	Frame R33 Std, right 90°, ivory white	2010-01-01 →	1
6	1498801-0446	Frame R33 Std, right 90°, purple fire	2010-01-01 →	1
6	1498801-0447	Frame R33 Std, right 90°, emerald green	2010-01-01 → 2012-12-31	1
6	1498801-0448	Frame R33 Std, right 90°, midnight blue	2010-01-01 → 2012-12-31	1
6	1498801-0449	Frame R33 Std, right 90°, umber glaze	2010-01-01 → 2014-12-31	1
6	1498801-0450	Frame R33 Std, right 90°, smokey grey	2010-01-01 →	1
6	1498801-0451	Frame R33 Std, right 90°, flashy yellow	2011-07-01 →	1
6	1498801-3524	Frame R33 Std, right 90°, royal red		1
6	1498801-5969	Frame R33 Std, right 90°, royal blue	2010-07-01 →	1
6	1498801-9005	Frame R33 Std, right 90°, glossy black		1
7	1487961-0004	Bearing block cap pair, black anodized		1
7	1487961-0001	Bearing block cap pair, chrome	2011-07-01 →	1
7	1487961-0182	Bearing block cap pair, champagne	2013-01-01 →	1
7	1487961-0183	Bearing block cap pair, olive	2013-01-01 →	1
7	1487961-0400	Bearing block cap pair, techno-anthrazit		1
7	1487961-0401	Bearing block cap pair, lemon	2007-01-01 → 2012-12-31	1
7	1487961-0404	Bearing block cap pair, b-blue		1
7	1487961-0440	Bearing block cap pair, comet red		1
7	1487961-0441	Bearing block cap pair, arctic blue		1
8	1451718	Bearing kit		1

**Frame 90°**

Pos.	Part number	Description	Valid from → until	Qty
9	1529372	Front frame protectors, pair	2009-07-01 →	1

# Centerpart



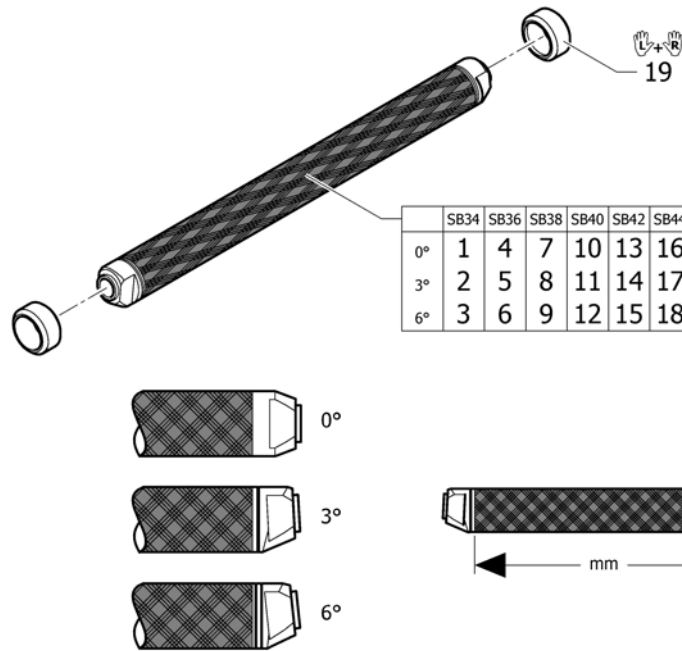
Pos.	Part number	Description	Valid from → until	Qty
1	1504477-0001	Centerpart kit SB34-SB36 chrome	2011-07-01 →	1
1	1504477-0182	Centerpart kit SB34-SB36 champagne	2013-01-01 →	1
1	1504477-0183	Centerpart kit SB34-SB36 olive	2013-01-01 →	1
1	1504477-0400	Centerpart kit SB34-SB36 techno		1
1	1504477-0401	Centerpart kit SB34-SB36 lemon	2007-01-01 → 2012-12-31	1
1	1504477-0404	Centerpart kit SB34-SB36 b-blue		1
1	1504477-0440	Centerpart kit SB34-SB36 comet red		1
1	1504477-0441	Centerpart kit SB34-SB36 arctic Blue		1
2	1504478-0001	Centerpart kit SB38-SB40 chrome	2011-07-01 →	1
2	1504478-0182	Centerpart kit SB38-SB40 champagne	2013-01-01 →	1
2	1504478-0183	Centerpart kit SB38-SB40 olive	2013-01-01 →	1
2	1504478-0400	Centerpart kit SB38-SB40 techno		1
2	1504478-0401	Centerpart kit SB38-SB40 lemon	2007-01-01 → 2012-12-31	1
2	1504478-0404	Centerpart kit SB38-SB40 b-blue		1
2	1504478-0440	Centerpart kit SB38-SB40 comet red		1
2	1504478-0441	Centerpart kit SB38-SB40 arctic Blue		1
3	1504479-0001	Centerpart kit SB42-SB44 chrome	2011-07-01 →	1
3	1504479-0182	Centerpart kit SB42-SB44 champagne	2013-01-01 →	1
3	1504479-0183	Centerpart kit SB42-SB44 olive	2013-01-01 →	1
3	1504479-0400	Centerpart kit SB42-SB44 techno		1
3	1504479-0401	Centerpart kit SB42-SB44 lemon	2007-01-01 → 2012-12-31	1
3	1504479-0404	Centerpart kit SB42-SB44 b-blue		1
3	1504479-0440	Centerpart kit SB42-SB44 comet red		1
3	1504479-0441	Centerpart kit SB42-SB44 arctic Blue		1
4	1504520	Fixation kit Centerpart		1
5	1504521	Pivot pin pair standard		1
6	1504570	Low impact system kit => 70kg		1
7	1504608	Low impact system kit 70-85kg		1
8	1504609	Low impact system kit > 85kg		1



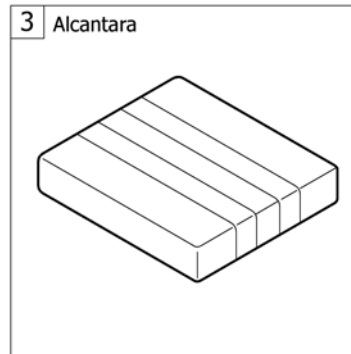
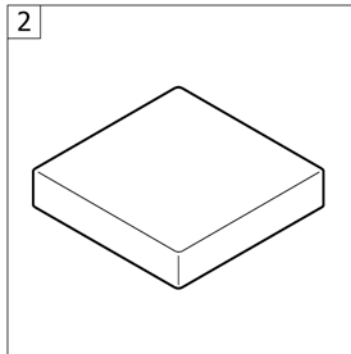
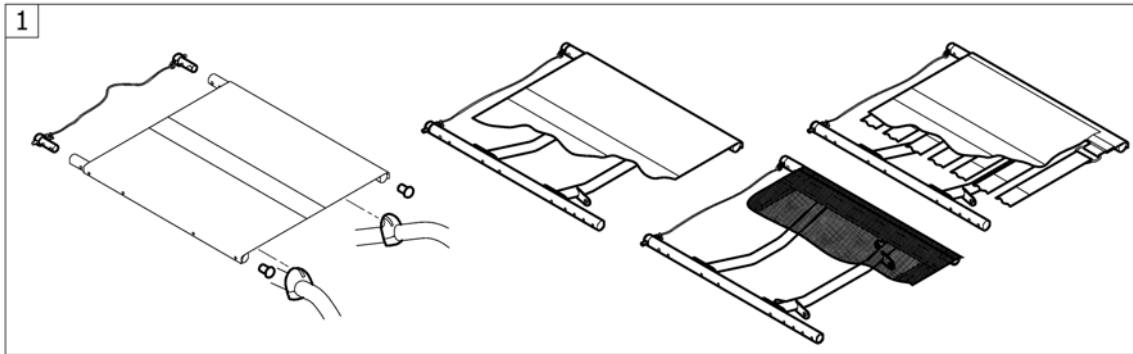
**Centerpart**

Pos.	Part number	Description	Valid from → until	Qty
9	1504640	Vertical Set for fixed seating, S		1
10	1504641	Vertical Set for fixed seating, M		1
11	1504642	Vertical Set for fixed seating, L		1
12	1504643	Vertical Set for fixed seating, XL		1

# Axle tubes

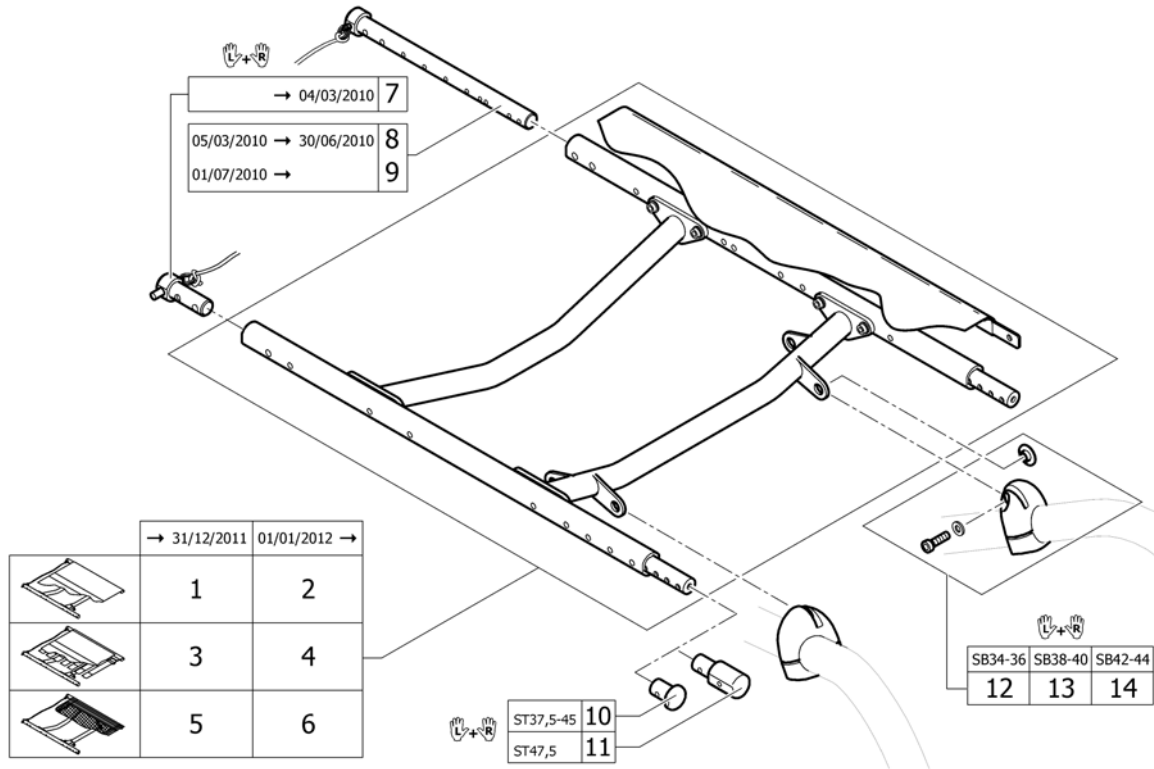


Pos.	Part number	Description	Valid from → until	Qty
1	1504644	Axle tube Carbon 0°/318mm		1
2	1504645	Axle tube Carbon 3°/344mm		1
3	1504646	Axle tube Carbon 6°/374mm		1
4	1504647	Axle tube Carbon 0°/338mm		1
5	1504648	Axle tube Carbon 3°/364mm		1
6	1504649	Axle tube Carbon 6°/394mm		1
7	1504650	Axle tube Carbon 0°/358mm		1
8	1504651	Axle tube Carbon 3°/384mm		1
9	1504652	Axle tube Carbon 6°/414mm		1
10	1504653	Axle tube Carbon 0°/378mm		1
11	1504654	Axle tube Carbon 3°/404mm		1
12	1504655	Axle tube Carbon 6°/434mm		1
13	1504656	Axle tube Carbon 0°/398mm		1
14	1504657	Axle tube Carbon 3°/424mm		1
15	1504658	Axle tube Carbon 6°/454mm		1
16	1504659	Axle tube Carbon 0°/418mm		1
17	1504660	Axle tube Carbon 3°/444mm		1
18	1504661	Axle tube Carbon 6°/474mm		1
19	1506094	Axle rings, pair		1



Pos.	Part number	Description	Valid from → until	Qty
1	-	Seat module		1
2	-	Seat cushion standard		1
3	-	Seat cushion Alcantara		1

# Seat module

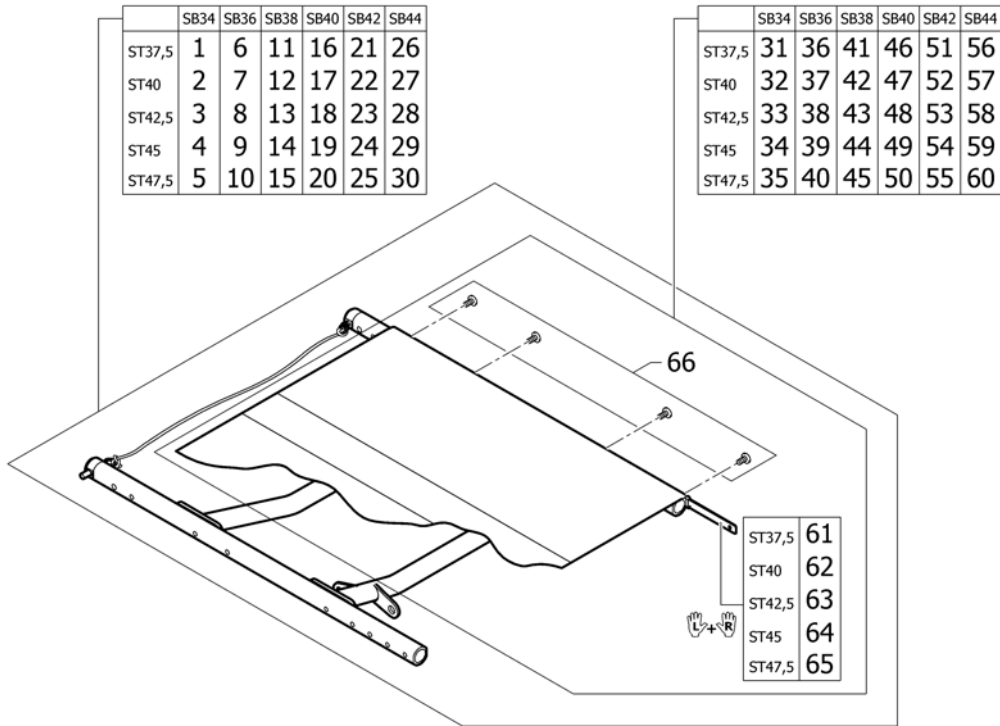


Pos.	Part number	Description	Valid from → until	Qty
1	-	Seat frame, cover standard =>31.12.2011	2007-01-01 → 2011-12-31	1
2	-	Seat frame, cover standard 01.01.2012=>	2012-01-01 →	1
3	-	Seat frame, cover tension adjustable =>31.12.2011	2007-01-01 → 2011-12-31	1
4	-	Seat frame, cover tension adjustable 01.01.2012=>	2012-01-01 →	1
5	-	Seat frame, cover light =>31.12.2011	2011-07-01 → 2011-12-31	1
6	-	Seat frame, cover light 01.01.2012=>	2012-01-01 →	1
9	1536255	Backrest-Bolt long Set	2010-07-01 →	1
10	1486539-0004	Seatmodule plug, pair, black anodized		1
10	1486539-0001	Seatmodule plug, pair, chrome	2011-07-01 →	1
10	1486539-0182	Seatmodule plug, pair, champagne	2013-01-01 →	1
10	1486539-0183	Seatmodule plug, pair, olive	2013-01-01 →	1
10	1486539-0400	Seatmodule plug, pair, techno-anthrazit		1
10	1486539-0401	Seatmodule plug, pair, lemon	2007-01-01 → 2012-12-31	1
10	1486539-0404	Seatmodule plug, pair, b-blue		1
10	1486539-0440	Seatmodule plug, pair, comet red		1
10	1486539-0441	Seatmodule plug, pair, arctic blue		1
11	1485738-0004	Seat extension, pair, black	2010-07-01 → 2013-12-31	1
11	1485738-0001	Seat extension, pair, chrome	2011-07-01 → 2013-12-31	1
11	1485738-0182	Seat extension, pair, champagne	2013-01-01 → 2013-12-31	1
11	1485738-0183	Seat extension, pair, olive	2013-01-01 → 2013-12-31	1
11	1485738-0400	Seat extension, pair, techno-anthracit	2010-07-01 → 2013-12-31	1
11	1485738-0404	Seat extension, pair, b-blue	2010-07-01 → 2013-12-31	1
11	1485738-0440	Seat extension, pair, comet red	2010-07-01 → 2013-12-31	1

**Seat module**

<b>Pos.</b>	<b>Part number</b>	<b>Description</b>	<b>Valid from → until</b>	<b>Qty</b>
11	1485738-0441	Seat extension, pair, arctic blue	2010-07-01 → 2013-12-31	1
12	1504663	Fixation part seat-to-frame front, pair, SB34/36		1
13	1504664	Fixation part seat-to-frame front, pair, SB38/40		1
14	1504665	Fixation part seat-to-frame front, pair, SB42/44		1

# Seat frame, cover standard =>31.12.2011



Pos.	Part number	Description	Valid from → until	Qty
1	1504666	Seat module complete, cover standard SB34 ST37,5	2007-01-01 → 2011-12-31	1
2	1504667	Seat module complete, cover standard SB34 ST40	2007-01-01 → 2011-12-31	1
3	1504668	Seat module complete, cover standard SB34 ST42,5	2007-01-01 → 2011-12-31	1
4	1504669	Seat module complete, cover standard SB34 ST45	2007-01-01 → 2011-12-31	1
5	1542641	Seat module complete, cover standard SB34 ST47,5	2010-07-01 → 2011-12-31	1
6	1504670	Seat module complete, cover standard SB36 ST37,5	2007-01-01 → 2011-12-31	1
7	1504671	Seat module complete, cover standard SB36 ST40	2007-01-01 → 2011-12-31	1
8	1504672	Seat module complete, cover standard SB36 ST42,5	2007-01-01 → 2011-12-31	1
9	1504673	Seat module complete, cover standard SB36 ST45	2007-01-01 → 2011-12-31	1
10	1542642	Seat module complete, cover standard SB36 ST47,5	2010-07-01 → 2011-12-31	1
11	1504674	Seat module complete, cover standard SB38 ST37,5	2007-01-01 → 2011-12-31	1
12	1504675	Seat module complete, cover standard SB38 ST40	2007-01-01 → 2011-12-31	1
13	1504676	Seat module complete, cover standard SB38 ST42,5	2007-01-01 → 2011-12-31	1
14	1504677	Seat module complete, cover standard SB38 ST45	2007-01-01 → 2011-12-31	1
15	1542643	Seat module complete, cover standard SB38 ST47,5	2010-07-01 → 2011-12-31	1
16	1504678	Seat module complete, cover standard SB40 ST37,5	2007-01-01 → 2011-12-31	1
17	1504679	Seat module complete, cover standard SB40 ST40	2007-01-01 → 2011-12-31	1
18	1504680	Seat module complete, cover standard SB40 ST42,5	2007-01-01 → 2011-12-31	1

## Seat frame, cover standard =&gt;31.12.2011

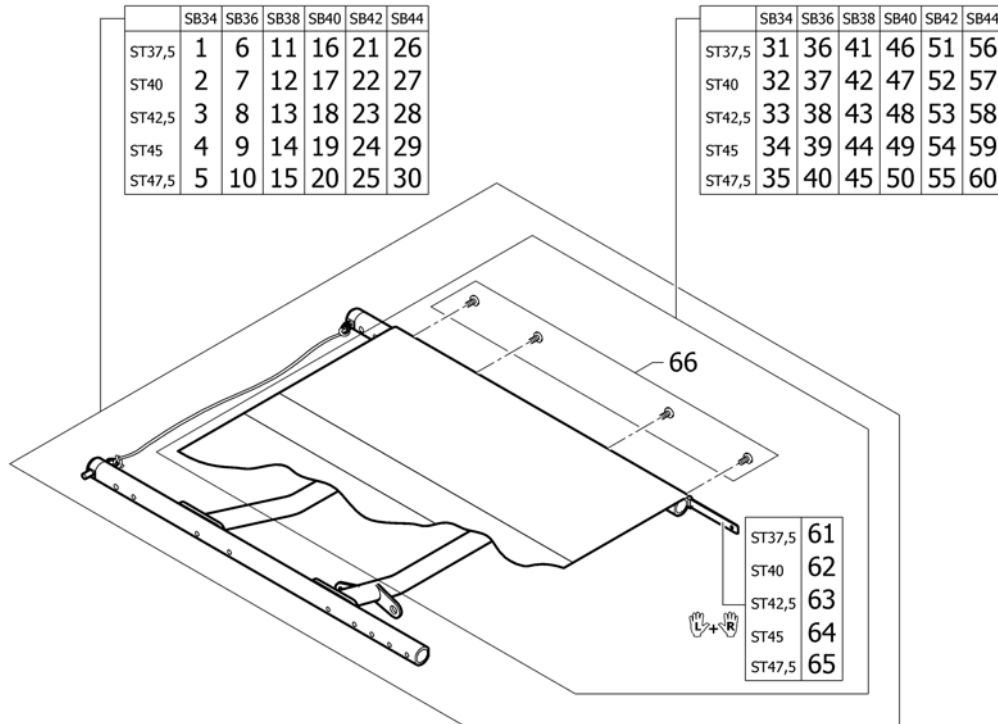
Pos.	Part number	Description	Valid from → until	Qty
19	1504681	Seat module complete, cover standard SB40 ST45	2007-01-01 → 2011-12-31	1
20	1542644	Seat module complete, cover standard SB40 ST47,5	2010-07-01 → 2011-12-31	1
21	1504682	Seat module complete, cover standard SB42 ST37,5	2007-01-01 → 2011-12-31	1
22	1504683	Seat module complete, cover standard SB42 ST40	2007-01-01 → 2011-12-31	1
23	1504684	Seat module complete, cover standard SB42 ST42,5	2007-01-01 → 2011-12-31	1
24	1504685	Seat module complete, cover standard SB42 ST45	2007-01-01 → 2011-12-31	1
25	1542645	Seat module complete, cover standard SB42 ST47,5	2010-07-01 → 2011-12-31	1
26	1504686	Seat module complete, cover standard SB44 ST37,5	2007-01-01 → 2011-12-31	1
27	1504687	Seat module complete, cover standard SB44 ST40	2007-01-01 → 2011-12-31	1
28	1504688	Seat module complete, cover standard SB44 ST42,5	2007-01-01 → 2011-12-31	1
29	1504710	Seat module complete, cover standard SB44 ST45	2007-01-01 → 2011-12-31	1
30	1542646	Seat module complete, cover standard SB44 ST47,5	2010-07-01 → 2011-12-31	1
31	1505103	Seat cover standard, kit complete, SB34 ST37,5	2007-01-01 → 2011-12-31	1
32	1505104	Seat cover standard, kit complete, SB34 ST40	2007-01-01 → 2011-12-31	1
33	1505105	Seat cover standard, kit complete, SB34 ST42,5	2007-01-01 → 2011-12-31	1
34	1505106	Seat cover standard, kit complete, SB34 ST45	2007-01-01 → 2011-12-31	1
35	1542647	Seat cover standard, kit complete, SB34 ST47,5	2010-07-01 → 2011-12-31	1
36	1505107	Seat cover standard, kit complete, SB36 ST37,5	2007-01-01 → 2011-12-31	1
37	1505108	Seat cover standard, kit complete, SB36 ST40	2007-01-01 → 2011-12-31	1
38	1505109	Seat cover standard, kit complete, SB36 ST42,5	2007-01-01 → 2011-12-31	1
39	1505110	Seat cover standard, kit complete, SB36 ST45	2007-01-01 → 2011-12-31	1
40	1542648	Seat cover standard, kit complete, SB36 ST47,5	2010-07-01 → 2011-12-31	1
41	1505111	Seat cover standard, kit complete, SB38 ST37,5	2007-01-01 → 2011-12-31	1
42	1505112	Seat cover standard, kit complete, SB38 ST40	2007-01-01 → 2011-12-31	1
43	1505113	Seat cover standard, kit complete, SB38 ST42,5	2007-01-01 → 2011-12-31	1
44	1505114	Seat cover standard, kit complete, SB38 ST45	2007-01-01 → 2011-12-31	1
45	1542649	Seat cover standard, kit complete, SB38 ST47,5	2010-07-01 → 2011-12-31	1
46	1505115	Seat cover standard, kit complete, SB40 ST37,5	2007-01-01 → 2011-12-31	1
47	1505116	Seat cover standard, kit complete, SB40 ST40	2007-01-01 → 2011-12-31	1
48	1505117	Seat cover standard, kit complete, SB40 ST42,5	2007-01-01 → 2011-12-31	1
49	1505118	Seat cover standard, kit complete, SB40 ST45	2007-01-01 → 2011-12-31	1

**Seat frame, cover standard =>31.12.2011**

Pos.	Part number	Description	Valid from → until	Qty
50	1542650	Seat cover standard, kit complete, SB40 ST47,5	2010-07-01 → 2011-12-31	1
51	1505119	Seat cover standard, kit complete, SB42 ST37,5	2007-01-01 → 2011-12-31	1
52	1505120	Seat cover standard, kit complete, SB42 ST40	2007-01-01 → 2011-12-31	1
53	1505121	Seat cover standard, kit complete, SB42 ST42,5	2007-01-01 → 2011-12-31	1
54	1505122	Seat cover standard, kit complete, SB42 ST45	2007-01-01 → 2011-12-31	1
55	1542651	Seat cover standard, kit complete, SB42 ST47,5	2010-07-01 → 2011-12-31	1
56	1505123	Seat cover standard, kit complete, SB44 ST37,5	2007-01-01 → 2011-12-31	1
57	1505124	Seat cover standard, kit complete, SB44 ST40	2007-01-01 → 2011-12-31	1
58	1505125	Seat cover standard, kit complete, SB44 ST42,5	2007-01-01 → 2011-12-31	1
59	1505126	Seat cover standard, kit complete, SB44 ST45	2007-01-01 → 2011-12-31	1
60	1542652	Seat cover standard, kit complete, SB44 ST47,5	2010-07-01 → 2011-12-31	1
61	1579366	Seat rail kit SD37,5, pair	2007-01-01 → 2011-12-31	1
62	1579367	Seat rail kit SD40, pair	2007-01-01 → 2011-12-31	1
63	1579368	Seat rail kit SD42,5, pair	2007-01-01 → 2011-12-31	1
64	1579369	Seat rail kit SD45, pair	2007-01-01 → 2011-12-31	1
65	1579370	Seat rail kit SD47,5, pair	2010-07-01 → 2011-12-31	1
66	1579375	Fixation kit seat cover	2007-01-01 → 2011-12-31	1



## Seat frame, cover standard 01.01.2012=&gt;

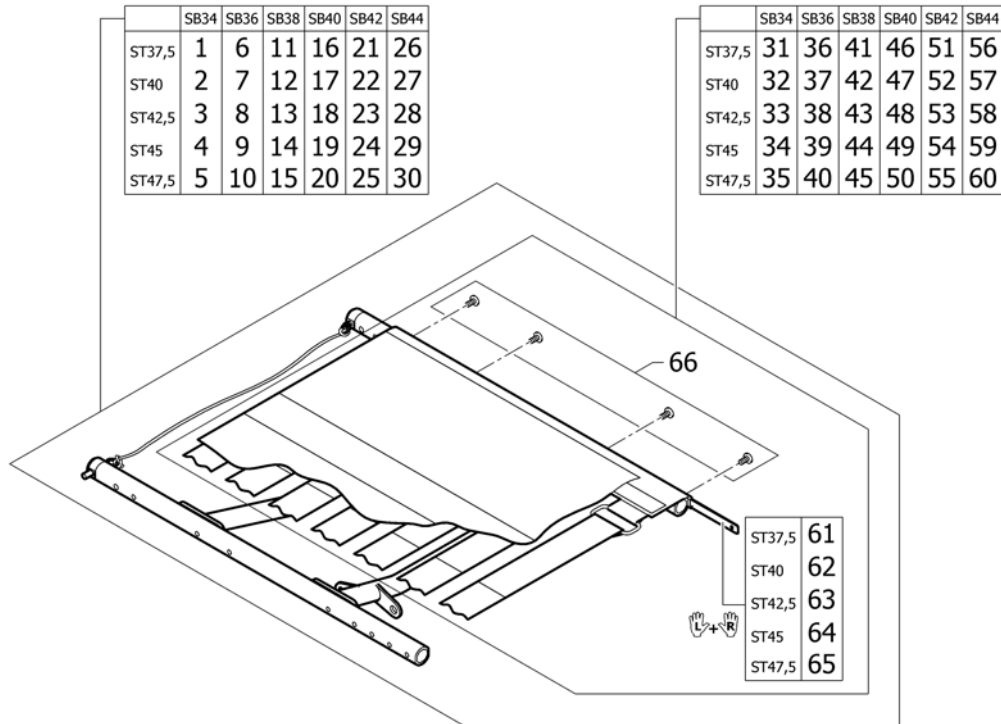


Pos.	Part number	Description	Valid from → until	Qty
1	1579380	Seat module complete, cover standard SB34 ST37,5		1
2	1579381	Seat module complete, cover standard SB34 ST40		1
3	1579382	Seat module complete, cover standard SB34 ST42,5		1
4	1579383	Seat module complete, cover standard SB34 ST45		1
5	1579384	Seat module complete, cover standard SB34 ST47,5	2012-01-01 → 2013-12-31	1
6	1579385	Seat module complete, cover standard SB36 ST37,5		1
7	1579386	Seat module complete, cover standard SB36 ST40		1
8	1579387	Seat module complete, cover standard SB36 ST42,5		1
9	1579388	Seat module complete, cover standard SB36 ST45		1
10	1579389	Seat module complete, cover standard SB36 ST47,5	2012-01-01 → 2013-12-31	1
11	1579390	Seat module complete, cover standard SB38 ST37,5		1
12	1579391	Seat module complete, cover standard SB38 ST40		1
13	1579392	Seat module complete, cover standard SB38 ST42,5		1
14	1579393	Seat module complete, cover standard SB38 ST45		1
15	1579394	Seat module complete, cover standard SB38 ST47,5	2012-01-01 → 2013-12-31	1
16	1579395	Seat module complete, cover standard SB40 ST37,5		1
17	1579396	Seat module complete, cover standard SB40 ST40		1
18	1579397	Seat module complete, cover standard SB40 ST42,5		1
19	1579398	Seat module complete, cover standard SB40 ST45		1
20	1579399	Seat module complete, cover standard SB40 ST47,5	2012-01-01 → 2013-12-31	1
21	1579400	Seat module complete, cover standard SB42 ST37,5		1
22	1579401	Seat module complete, cover standard SB42 ST40		1
23	1579402	Seat module complete, cover standard SB42 ST42,5		1
24	1579403	Seat module complete, cover standard SB42 ST45		1
25	1579404	Seat module complete, cover standard SB42 ST47,5	2012-01-01 → 2013-12-31	1
26	1579405	Seat module complete, cover standard SB44 ST37,5		1
27	1579406	Seat module complete, cover standard SB44 ST40		1
28	1579407	Seat module complete, cover standard SB44 ST42,5		1

**Seat frame, cover standard 01.01.2012=>**

Pos.	Part number	Description	Valid from → until	Qty
29	1579408	Seat module complete, cover standard SB44 ST45		1
30	1579409	Seat module complete, cover standard SB44 ST47,5	2012-01-01 → 2013-12-31	1
31	1505103	Seat cover standard, kit complete, SB34 ST37,5		1
32	1505104	Seat cover standard, kit complete, SB34 ST40		1
33	1505105	Seat cover standard, kit complete, SB34 ST42,5		1
34	1505106	Seat cover standard, kit complete, SB34 ST45		1
35	1542647	Seat cover standard, kit complete, SB34 ST47,5	2012-01-01 → 2013-12-31	1
36	1505107	Seat cover standard, kit complete, SB36 ST37,5		1
37	1505108	Seat cover standard, kit complete, SB36 ST40		1
38	1505109	Seat cover standard, kit complete, SB36 ST42,5		1
39	1505110	Seat cover standard, kit complete, SB36 ST45		1
40	1542648	Seat cover standard, kit complete, SB36 ST47,5	2012-01-01 → 2013-12-31	1
41	1505111	Seat cover standard, kit complete, SB38 ST37,5		1
42	1505112	Seat cover standard, kit complete, SB38 ST40		1
43	1505113	Seat cover standard, kit complete, SB38 ST42,5		1
44	1505114	Seat cover standard, kit complete, SB38 ST45		1
45	1542649	Seat cover standard, kit complete, SB38 ST47,5	2012-01-01 → 2013-12-31	1
46	1505115	Seat cover standard, kit complete, SB40 ST37,5		1
47	1505116	Seat cover standard, kit complete, SB40 ST40		1
48	1505117	Seat cover standard, kit complete, SB40 ST42,5		1
49	1505118	Seat cover standard, kit complete, SB40 ST45		1
50	1542650	Seat cover standard, kit complete, SB40 ST47,5	2012-01-01 → 2013-12-31	1
51	1505119	Seat cover standard, kit complete, SB42 ST37,5		1
52	1505120	Seat cover standard, kit complete, SB42 ST40		1
53	1505121	Seat cover standard, kit complete, SB42 ST42,5		1
54	1505122	Seat cover standard, kit complete, SB42 ST45		1
55	1542651	Seat cover standard, kit complete, SB42 ST47,5	2012-01-01 → 2013-12-31	1
56	1505123	Seat cover standard, kit complete, SB44 ST37,5		1
57	1505124	Seat cover standard, kit complete, SB44 ST40		1
58	1505125	Seat cover standard, kit complete, SB44 ST42,5		1
59	1505126	Seat cover standard, kit complete, SB44 ST45		1
60	1542652	Seat cover standard, kit complete, SB44 ST47,5	2012-01-01 → 2013-12-31	1
61	1579366	Seat rail kit SD37,5, pair		1
62	1579367	Seat rail kit SD40, pair		1
63	1579368	Seat rail kit SD42,5, pair		1
64	1579369	Seat rail kit SD45, pair		1
65	1579370	Seat rail kit SD47,5, pair	2012-01-01 → 2013-12-31	1
66	1579375	Fixation kit seat cover		1

## Seat frame, cover tension adjustable =&gt;31.12.2011



Pos.	Part number	Description	Valid from → until	Qty
1	1504711	Seat module complete, cover tension adjustable SB34 ST37,5	2007-01-01 → 2011-12-31	1
2	1504712	Seat module complete, cover tension adjustable SB34 ST40	2007-01-01 → 2011-12-31	1
3	1504713	Seat module complete, cover tension adjustable SB34 ST42,5	2007-01-01 → 2011-12-31	1
4	1504714	Seat module complete, cover tension adjustable SB34 ST45	2007-01-01 → 2011-12-31	1
5	1542659	Seat module complete, cover tension adjustable SB34 ST47,5	2010-07-01 → 2011-12-31	1
6	1504978	Seat module complete, cover tension adjustable SB36 ST37,5	2007-01-01 → 2011-12-31	1
7	1504979	Seat module complete, cover tension adjustable SB36 ST40	2007-01-01 → 2011-12-31	1
8	1504980	Seat module complete, cover tension adjustable SB36 ST42,5	2007-01-01 → 2011-12-31	1
9	1504981	Seat module complete, cover tension adjustable SB36 ST45	2007-01-01 → 2011-12-31	1
10	1542660	Seat module complete, cover tension adjustable SB36 ST47,5	2010-07-01 → 2011-12-31	1
11	1505042	Seat module complete, cover tension adjustable SB38 ST37,5	2007-01-01 → 2011-12-31	1
12	1505043	Seat module complete, cover tension adjustable SB38 ST40	2007-01-01 → 2011-12-31	1
13	1505044	Seat module complete, cover tension adjustable SB38 ST42,5	2007-01-01 → 2011-12-31	1
14	1505045	Seat module complete, cover tension adjustable SB38 ST45	2007-01-01 → 2011-12-31	1
15	1542661	Seat module complete, cover tension adjustable SB38 ST47,5	2010-07-01 → 2011-12-31	1
16	1505091	Seat module complete, cover tension adjustable SB40 ST37,5	2007-01-01 → 2011-12-31	1
17	1505092	Seat module complete, cover tension adjustable SB40 ST40	2007-01-01 → 2011-12-31	1
18	1505093	Seat module complete, cover tension adjustable SB40 ST42,5	2007-01-01 → 2011-12-31	1

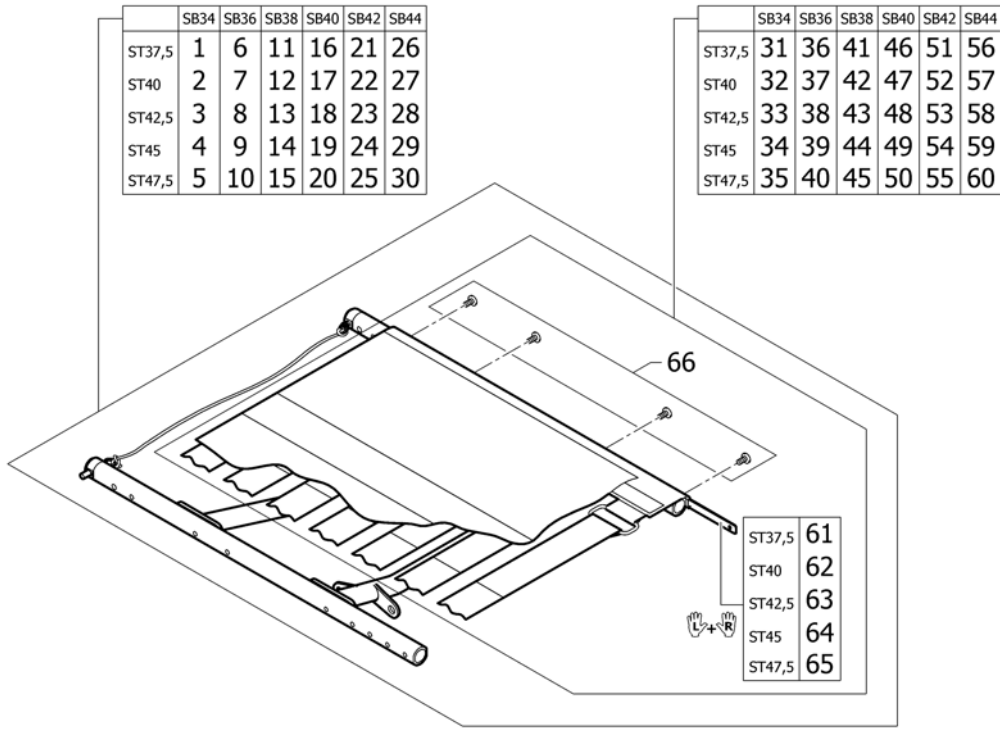
**Seat frame, cover tension adjustable =>31.12.2011**

Pos.	Part number	Description	Valid from → until	Qty
19	1505094	Seat module complete, cover tension adjustable SB40 ST45	2007-01-01 → 2011-12-31	1
20	1542662	Seat module complete, cover tension adjustable SB40 ST47,5	2010-07-01 → 2011-12-31	1
21	1505095	Seat module complete, cover tension adjustable SB42 ST37,5	2007-01-01 → 2011-12-31	1
22	1505096	Seat module complete, cover tension adjustable SB42 ST40	2007-01-01 → 2011-12-31	1
23	1505097	Seat module complete, cover tension adjustable SB42 ST42,5	2007-01-01 → 2011-12-31	1
24	1505098	Seat module complete, cover tension adjustable SB42 ST45	2007-01-01 → 2011-12-31	1
25	1542663	Seat module complete, cover tension adjustable SB42 ST47,5	2010-07-01 → 2011-12-31	1
26	1505099	Seat module complete, cover tension adjustable SB44 ST37,5	2007-01-01 → 2011-12-31	1
27	1505100	Seat module complete, cover tension adjustable SB44 ST40	2007-01-01 → 2011-12-31	1
28	1505101	Seat module complete, cover tension adjustable SB44 ST42,5	2007-01-01 → 2011-12-31	1
29	1505102	Seat module complete, cover tension adjustable SB44 ST45	2007-01-01 → 2011-12-31	1
30	1542664	Seat module complete, cover tension adjustable SB44 ST47,5	2010-07-01 → 2011-12-31	1
31	1505127	Seat cover tension adjustable, kit complete, SB34 ST37,5	2007-01-01 → 2011-12-31	1
32	1505128	Seat cover tension adjustable, kit complete, SB34 ST40	2007-01-01 → 2011-12-31	1
33	1505129	Seat cover tension adjustable, kit complete, SB34 ST42,5	2007-01-01 → 2011-12-31	1
34	1505130	Seat cover tension adjustable, kit complete, SB34 ST45	2007-01-01 → 2011-12-31	1
35	1542653	Seat cover tension adjustable, kit complete, SB34 ST47,5	2010-07-01 → 2011-12-31	1
36	1505131	Seat cover tension adjustable, kit complete, SB36 ST37,5	2007-01-01 → 2011-12-31	1
37	1505132	Seat cover tension adjustable, kit complete, SB36 ST40	2007-01-01 → 2011-12-31	1
38	1505133	Seat cover tension adjustable, kit complete, SB36 ST42,5	2007-01-01 → 2011-12-31	1
39	1505134	Seat cover tension adjustable, kit complete, SB36 ST45	2007-01-01 → 2011-12-31	1
40	1542654	Seat cover tension adjustable, kit complete, SB36 ST47,5	2010-07-01 → 2011-12-31	1
41	1505322	Seat cover tension adjustable, kit complete, SB38 ST37,5	2007-01-01 → 2011-12-31	1
42	1505323	Seat cover tension adjustable, kit complete, SB38 ST40	2007-01-01 → 2011-12-31	1
43	1505324	Seat cover tension adjustable, kit complete, SB38 ST42,5	2007-01-01 → 2011-12-31	1
44	1505325	Seat cover tension adjustable, kit complete, SB38 ST45	2007-01-01 → 2011-12-31	1
45	1542655	Seat cover tension adjustable, kit complete, SB38 ST47,5	2010-07-01 → 2011-12-31	1
46	1505326	Seat cover tension adjustable, kit complete, SB40 ST37,5	2007-01-01 → 2011-12-31	1
47	1505327	Seat cover tension adjustable, kit complete, SB40 ST40	2007-01-01 → 2011-12-31	1
48	1505342	Seat cover tension adjustable, kit complete, SB40 ST42,5	2007-01-01 → 2011-12-31	1
49	1505343	Seat cover tension adjustable, kit complete, SB40 ST45	2007-01-01 → 2011-12-31	1

**Seat frame, cover tension adjustable =>31.12.2011**

Pos.	Part number	Description	Valid from → until	Qty
50	1542656	Seat cover tension adjustable, kit complete, SB40 ST47,5	2010-07-01 → 2011-12-31	1
51	1505344	Seat cover tension adjustable, kit complete, SB42 ST37,5	2007-01-01 → 2011-12-31	1
52	1505345	Seat cover tension adjustable, kit complete, SB42 ST40	2007-01-01 → 2011-12-31	1
53	1505346	Seat cover tension adjustable, kit complete, SB42 ST42,5	2007-01-01 → 2011-12-31	1
54	1505347	Seat cover tension adjustable, kit complete, SB42 ST45	2007-01-01 → 2011-12-31	1
55	1542657	Seat cover tension adjustable, kit complete, SB42 ST47,5	2010-07-01 → 2011-12-31	1
56	1505348	Seat cover tension adjustable, kit complete, SB44 ST37,5	2007-01-01 → 2011-12-31	1
57	1505349	Seat cover tension adjustable, kit complete, SB44 ST40	2007-01-01 → 2011-12-31	1
58	1505350	Seat cover tension adjustable, kit complete, SB44 ST42,5	2007-01-01 → 2011-12-31	1
59	1505351	Seat cover tension adjustable, kit complete, SB44 ST45	2007-01-01 → 2011-12-31	1
60	1542658	Seat cover tension adjustable, kit complete, SB44 ST47,5	2010-07-01 → 2011-12-31	1
61	1579366	Seat rail kit SD37,5, pair	2007-01-01 → 2011-12-31	1
62	1579367	Seat rail kit SD40, pair	2007-01-01 → 2011-12-31	1
63	1579368	Seat rail kit SD42,5, pair	2007-01-01 → 2011-12-31	1
64	1579369	Seat rail kit SD45, pair	2007-01-01 → 2011-12-31	1
65	1579370	Seat rail kit SD47,5, pair	2010-07-01 → 2011-12-31	1
66	1579375	Fixation kit seat cover	2007-01-01 → 2011-12-31	1

# Seat frame, cover tension adjustable 01.01.2012=>



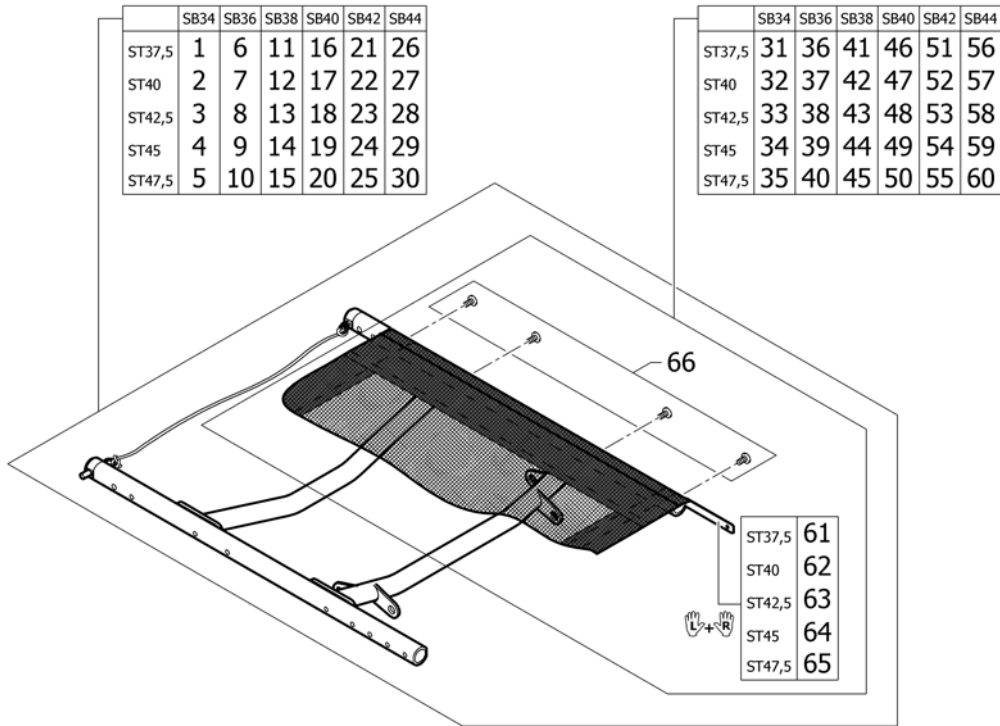
Pos.	Part number	Description	Valid from → until	Qty
1	1579410	Seat module complete, cover tension adjustable SB34 ST37,5		1
2	1579411	Seat module complete, cover tension adjustable SB34 ST40		1
3	1579412	Seat module complete, cover tension adjustable SB34 ST42,5		1
4	1579413	Seat module complete, cover tension adjustable SB34 ST45		1
5	1579414	Seat module complete, cover tension adjustable SB34 ST47,5	2012-01-01 → 2013-12-31	1
6	1579415	Seat module complete, cover tension adjustable SB36 ST37,5		1
7	1579416	Seat module complete, cover tension adjustable SB36 ST40		1
8	1579417	Seat module complete, cover tension adjustable SB36 ST42,5		1
9	1579418	Seat module complete, cover tension adjustable SB36 ST45		1
10	1579419	Seat module complete, cover tension adjustable SB36 ST47,5	2012-01-01 → 2013-12-31	1
11	1579420	Seat module complete, cover tension adjustable SB38 ST37,5		1
12	1579442	Seat module complete, cover tension adjustable SB38 ST40		1
13	1579443	Seat module complete, cover tension adjustable SB38 ST42,5		1
14	1579444	Seat module complete, cover tension adjustable SB38 ST45		1
15	1579482	Seat module complete, cover tension adjustable SB38 ST47,5	2012-01-01 → 2013-12-31	1
16	1579483	Seat module complete, cover tension adjustable SB40 ST37,5		1
17	1579484	Seat module complete, cover tension adjustable SB40 ST40		1
18	1579485	Seat module complete, cover tension adjustable SB40 ST42,5		1
19	1579486	Seat module complete, cover tension adjustable SB40 ST45		1
20	1579487	Seat module complete, cover tension adjustable SB40 ST47,5	2012-01-01 → 2013-12-31	1
21	1579488	Seat module complete, cover tension adjustable SB42 ST37,5		1
22	1579489	Seat module complete, cover tension adjustable SB42 ST40		1
23	1579490	Seat module complete, cover tension adjustable SB42 ST42,5		1
24	1579491	Seat module complete, cover tension adjustable SB42 ST45		1
25	1579492	Seat module complete, cover tension adjustable SB42 ST47,5	2012-01-01 → 2013-12-31	1
26	1579493	Seat module complete, cover tension adjustable SB44 ST37,5		1
27	1579676	Seat module complete, cover tension adjustable SB44 ST40		1
28	1579677	Seat module complete, cover tension adjustable SB44 ST42,5		1

## Seat frame, cover tension adjustable 01.01.2012=&gt;

Pos.	Part number	Description	Valid from → until	Qty
29	1579678	Seat module complete, cover tension adjustable SB44 ST45		1
30	1579679	Seat module complete, cover tension adjustable SB44 ST47,5	2012-01-01 → 2013-12-31	1
31	1505127	Seat cover tension adjustable, kit complete, SB34 ST37,5		1
32	1505128	Seat cover tension adjustable, kit complete, SB34 ST40		1
33	1505129	Seat cover tension adjustable, kit complete, SB34 ST42,5		1
34	1505130	Seat cover tension adjustable, kit complete, SB34 ST45		1
35	1542653	Seat cover tension adjustable, kit complete, SB34 ST47,5	2012-01-01 → 2013-12-31	1
36	1505131	Seat cover tension adjustable, kit complete, SB36 ST37,5		1
37	1505132	Seat cover tension adjustable, kit complete, SB36 ST40		1
38	1505133	Seat cover tension adjustable, kit complete, SB36 ST42,5		1
39	1505134	Seat cover tension adjustable, kit complete, SB36 ST45		1
40	1542654	Seat cover tension adjustable, kit complete, SB36 ST47,5	2012-01-01 → 2013-12-31	1
41	1505322	Seat cover tension adjustable, kit complete, SB38 ST37,5		1
42	1505323	Seat cover tension adjustable, kit complete, SB38 ST40		1
43	1505324	Seat cover tension adjustable, kit complete, SB38 ST42,5		1
44	1505325	Seat cover tension adjustable, kit complete, SB38 ST45		1
45	1542655	Seat cover tension adjustable, kit complete, SB38 ST47,5	2012-01-01 → 2013-12-31	1
46	1505326	Seat cover tension adjustable, kit complete, SB40 ST37,5		1
47	1505327	Seat cover tension adjustable, kit complete, SB40 ST40		1
48	1505342	Seat cover tension adjustable, kit complete, SB40 ST42,5		1
49	1505343	Seat cover tension adjustable, kit complete, SB40 ST45		1
50	1542656	Seat cover tension adjustable, kit complete, SB40 ST47,5	2012-01-01 → 2013-12-31	1
51	1505344	Seat cover tension adjustable, kit complete, SB42 ST37,5		1
52	1505345	Seat cover tension adjustable, kit complete, SB42 ST40		1
53	1505346	Seat cover tension adjustable, kit complete, SB42 ST42,5		1
54	1505347	Seat cover tension adjustable, kit complete, SB42 ST45		1
55	1542657	Seat cover tension adjustable, kit complete, SB42 ST47,5	2012-01-01 → 2013-12-31	1
56	1505348	Seat cover tension adjustable, kit complete, SB44 ST37,5		1
57	1505349	Seat cover tension adjustable, kit complete, SB44 ST40		1
58	1505350	Seat cover tension adjustable, kit complete, SB44 ST42,5		1
59	1505351	Seat cover tension adjustable, kit complete, SB44 ST45		1
60	1542658	Seat cover tension adjustable, kit complete, SB44 ST47,5	2012-01-01 → 2013-12-31	1
61	1579366	Seat rail kit SD37,5, pair		1
62	1579367	Seat rail kit SD40, pair		1
63	1579368	Seat rail kit SD42,5, pair		1
64	1579369	Seat rail kit SD45, pair		1
65	1579370	Seat rail kit SD47,5, pair	2012-01-01 → 2013-12-31	1
66	1579375	Fixation kit seat cover		1



# Seat frame, cover light =>31.12.2011



Pos.	Part number	Description	Valid from → until	Qty
1	1579336	Seat module complete, cover light SB34 ST37,5	2007-01-01 → 2011-12-31	1
2	1579337	Seat module complete, cover light SB34 ST40	2007-01-01 → 2011-12-31	1
3	1579338	Seat module complete, cover light SB34 ST42,5	2007-01-01 → 2011-12-31	1
4	1579339	Seat module complete, cover light SB34 ST45	2007-01-01 → 2011-12-31	1
5	1579340	Seat module complete, cover light SB34 ST47,5	2010-07-01 → 2011-12-31	1
6	1579341	Seat module complete, cover light SB36 ST37,5	2007-01-01 → 2011-12-31	1
7	1579342	Seat module complete, cover light SB36 ST40	2007-01-01 → 2011-12-31	1
8	1579343	Seat module complete, cover light SB36 ST42,5	2007-01-01 → 2011-12-31	1
9	1579344	Seat module complete, cover light SB36 ST45	2007-01-01 → 2011-12-31	1
10	1579345	Seat module complete, cover light SB36 ST47,5	2010-07-01 → 2011-12-31	1
11	1579346	Seat module complete, cover light SB38 ST37,5	2007-01-01 → 2011-12-31	1
12	1579347	Seat module complete, cover light SB38 ST40	2007-01-01 → 2011-12-31	1
13	1579348	Seat module complete, cover light SB38 ST42,5	2007-01-01 → 2011-12-31	1
14	1579349	Seat module complete, cover light SB38 ST45	2007-01-01 → 2011-12-31	1
15	1579350	Seat module complete, cover light SB38 ST47,5	2010-07-01 → 2011-12-31	1
16	1579351	Seat module complete, cover light SB40 ST37,5	2007-01-01 → 2011-12-31	1
17	1579352	Seat module complete, cover light SB40 ST40	2007-01-01 → 2011-12-31	1
18	1579353	Seat module complete, cover light SB40 ST42,5	2007-01-01 → 2011-12-31	1



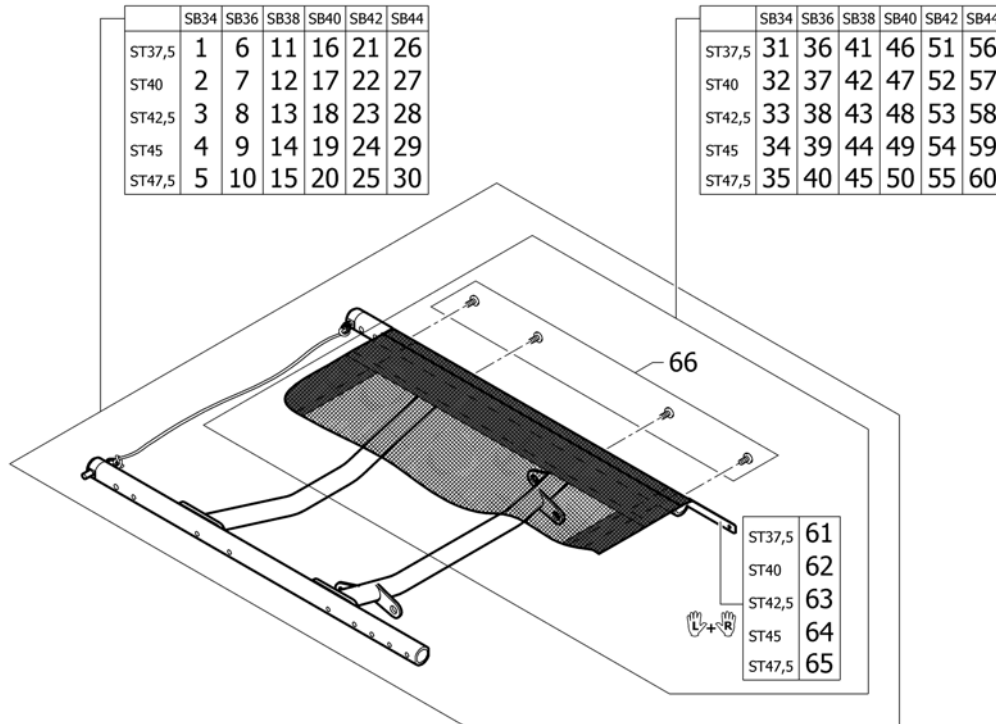
## Seat frame, cover light =&gt;31.12.2011

Pos.	Part number	Description	Valid from → until	Qty
19	1579354	Seat module complete, cover light SB40 ST45	2007-01-01 → 2011-12-31	1
20	1579355	Seat module complete, cover light SB40 ST47,5	2010-07-01 → 2011-12-31	1
21	1579356	Seat module complete, cover light SB42 ST37,5	2007-01-01 → 2011-12-31	1
22	1579357	Seat module complete, cover light SB42 ST40	2007-01-01 → 2011-12-31	1
23	1579358	Seat module complete, cover light SB42 ST42,5	2007-01-01 → 2011-12-31	1
24	1579359	Seat module complete, cover light SB42 ST45	2007-01-01 → 2011-12-31	1
25	1579360	Seat module complete, cover light SB42 ST47,5	2010-07-01 → 2011-12-31	1
26	1579361	Seat module complete, cover light SB44 ST37,5	2007-01-01 → 2011-12-31	1
27	1579362	Seat module complete, cover light SB44 ST40	2007-01-01 → 2011-12-31	1
28	1579363	Seat module complete, cover light SB44 ST42,5	2007-01-01 → 2011-12-31	1
29	1579364	Seat module complete, cover light SB44 ST45	2007-01-01 → 2011-12-31	1
30	1579365	Seat module complete, cover light SB44 ST47,5	2010-07-01 → 2011-12-31	1
31	1546503	Seatcover light complete SB34 ST37,5 for frame standard	2007-01-01 → 2011-12-31	1
32	1546511	Seatcover light complete SB34 ST40 for frame standard	2007-01-01 → 2011-12-31	1
33	1546519	Seatcover light complete SB34 ST42,5 for frame standard	2007-01-01 → 2011-12-31	1
34	1546527	Seatcover light complete SB34 ST45 for frame standard/+5	2007-01-01 → 2011-12-31	1
35	1546535	Seatcover light complete SB34 ST47,5 for frame +5	2010-07-01 → 2011-12-31	1
36	1546504	Seatcover light complete SB36 ST37,5 for frame standard	2007-01-01 → 2011-12-31	1
37	1546512	Seatcover light complete SB36 ST40 for frame standard	2007-01-01 → 2011-12-31	1
38	1546520	Seatcover light complete SB36 ST42,5 for frame standard	2007-01-01 → 2011-12-31	1
39	1546528	Seatcover light complete SB36 ST45 for frame standard/+5	2007-01-01 → 2011-12-31	1
40	1546536	Seatcover light complete SB36 ST47,5 for frame +5	2010-07-01 → 2011-12-31	1
41	1546505	Seatcover light complete SB38 ST37,5 for frame standard	2007-01-01 → 2011-12-31	1
42	1546513	Seatcover light complete SB38 ST40 for frame standard	2007-01-01 → 2011-12-31	1
43	1546521	Seatcover light complete SB38 ST42,5 for frame standard	2007-01-01 → 2011-12-31	1
44	1546529	Seatcover light complete SB38 ST45 for frame standard/+5	2007-01-01 → 2011-12-31	1
45	1546537	Seatcover light complete SB38 ST47,5 for frame +5	2010-07-01 → 2011-12-31	1
46	1546506	Seatcover light complete SB40 ST37,5 for frame standard	2007-01-01 → 2011-12-31	1
47	1546514	Seatcover light complete SB40 ST40 for frame standard	2007-01-01 → 2011-12-31	1
48	1546522	Seatcover light complete SB40 ST42,5 for frame standard	2007-01-01 → 2011-12-31	1
49	1546530	Seatcover light complete SB40 ST45 for frame standard/+5	2007-01-01 → 2011-12-31	1

**Seat frame, cover light =>31.12.2011**

Pos.	Part number	Description	Valid from → until	Qty
50	1546538	Seatcover light complete SB40 ST47,5 for frame +5	2010-07-01 → 2011-12-31	1
51	1546507	Seatcover light complete SB42 ST37,5 for frame standard	2007-01-01 → 2011-12-31	1
52	1546515	Seatcover light complete SB42 ST40 for frame standard	2007-01-01 → 2011-12-31	1
53	1546523	Seatcover light complete SB42 ST42,5 for frame standard	2007-01-01 → 2011-12-31	1
54	1546531	Seatcover light complete SB42 ST45 for frame standard/+5	2007-01-01 → 2011-12-31	1
55	1546539	Seatcover light complete SB42 ST47,5 for frame +5	2010-07-01 → 2011-12-31	1
56	1546508	Seatcover light complete SB44 ST37,5 for frame standard	2007-01-01 → 2011-12-31	1
57	1546516	Seatcover light complete SB44 ST40 for frame standard	2007-01-01 → 2011-12-31	1
58	1546524	Seatcover light complete SB44 ST42,5 for frame standard	2007-01-01 → 2011-12-31	1
59	1546532	Seatcover light complete SB44 ST45 for frame standard/+5	2007-01-01 → 2011-12-31	1
60	1546540	Seatcover light complete SB44 ST47,5 for frame +5	2010-07-01 → 2011-12-31	1
61	1579366	Seat rail kit SD37,5, pair	2007-01-01 → 2011-12-31	1
62	1579367	Seat rail kit SD40, pair	2007-01-01 → 2011-12-31	1
63	1579368	Seat rail kit SD42,5, pair	2007-01-01 → 2011-12-31	1
64	1579369	Seat rail kit SD45, pair	2007-01-01 → 2011-12-31	1
65	1579370	Seat rail kit SD47,5, pair	2010-07-01 → 2011-12-31	1
66	1579375	Fixation kit seat cover	2007-01-01 → 2011-12-31	1

## Seat frame, cover light 01.01.2012=>

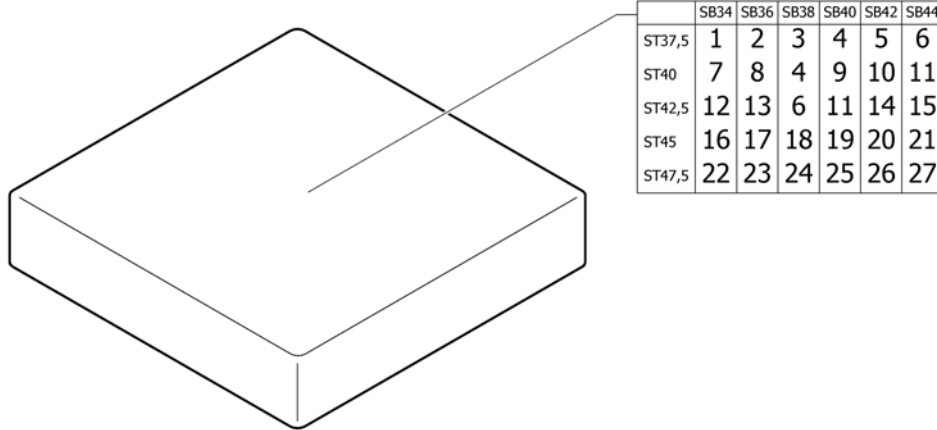


Pos.	Part number	Description	Valid from → until	Qty
1	1579734	Seat module complete, cover light SB34 ST37,5		1
2	1579735	Seat module complete, cover light SB34 ST40		1
3	1579736	Seat module complete, cover light SB34 ST42,5		1
4	1579737	Seat module complete, cover light SB34 ST45		1
5	1579738	Seat module complete, cover light SB34 ST47,5	2012-01-01 → 2013-12-31	1
6	1579800	Seat module complete, cover light SB36 ST37,5		1
7	1579801	Seat module complete, cover light SB36 ST40		1
8	1579802	Seat module complete, cover light SB36 ST42,5		1
9	1579837	Seat module complete, cover light SB36 ST45		1
10	1579838	Seat module complete, cover light SB36 ST47,5	2012-01-01 → 2013-12-31	1
11	1579839	Seat module complete, cover light SB38 ST37,5		1
12	1579840	Seat module complete, cover light SB38 ST40		1
13	1579841	Seat module complete, cover light SB38 ST42,5		1
14	1580017	Seat module complete, cover light SB38 ST45		1
15	1580232	Seat module complete, cover light SB38 ST47,5	2012-01-01 → 2013-12-31	1
16	1580233	Seat module complete, cover light SB40 ST37,5		1
17	1580234	Seat module complete, cover light SB40 ST40		1
18	1580235	Seat module complete, cover light SB40 ST42,5		1
19	1580236	Seat module complete, cover light SB40 ST45		1
20	1580237	Seat module complete, cover light SB40 ST47,5	2012-01-01 → 2013-12-31	1
21	1580238	Seat module complete, cover light SB42 ST37,5		1
22	1580239	Seat module complete, cover light SB42 ST40		1
23	1580240	Seat module complete, cover light SB42 ST42,5		1
24	1580241	Seat module complete, cover light SB42 ST45		1
25	1580242	Seat module complete, cover light SB42 ST47,5	2012-01-01 → 2013-12-31	1
26	1580243	Seat module complete, cover light SB44 ST37,5		1
27	1580244	Seat module complete, cover light SB44 ST40		1
28	1580245	Seat module complete, cover light SB44 ST42,5		1

**Seat frame, cover light 01.01.2012=>**

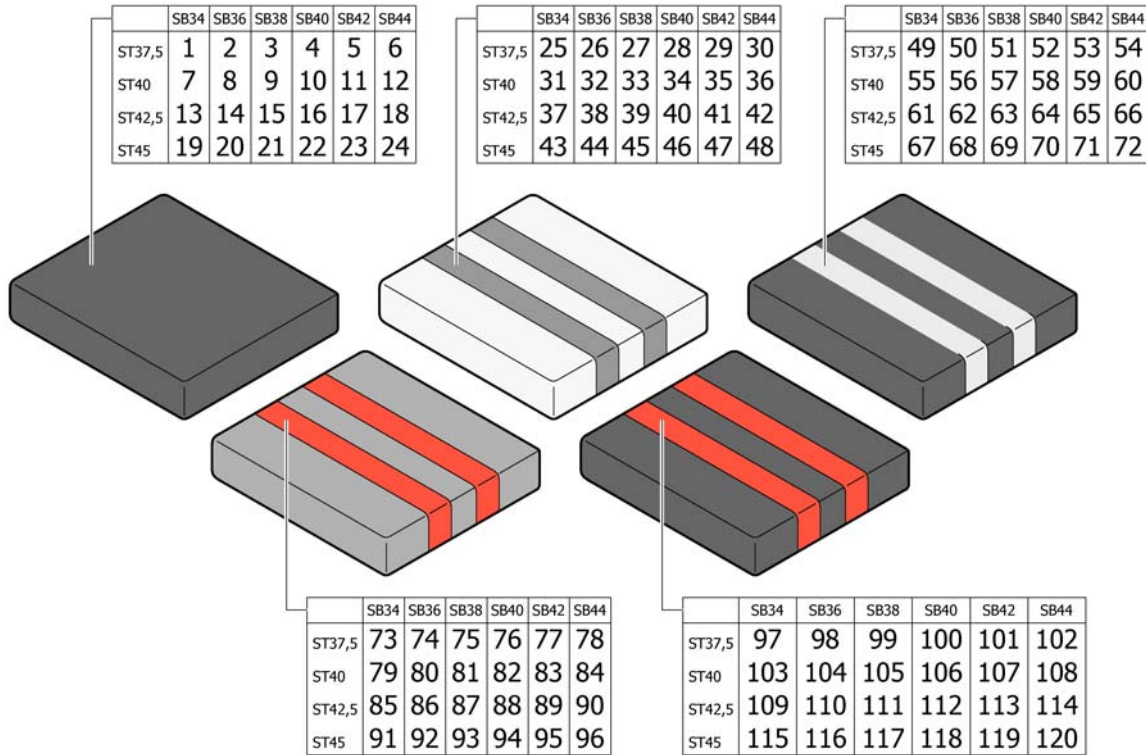
Pos.	Part number	Description	Valid from → until	Qty
29	1580246	Seat module complete, cover light SB44 ST45		1
30	1580247	Seat module complete, cover light SB44 ST47,5	2012-01-01 → 2013-12-31	1
31	1546503	Seatcover light complete SB34 ST37,5 for frame standard		1
32	1546511	Seatcover light complete SB34 ST40 for frame standard		1
33	1546519	Seatcover light complete SB34 ST42,5 for frame standard		1
34	1546527	Seatcover light complete SB34 ST45 for frame standard/+5		1
35	1546535	Seatcover light complete SB34 ST47,5 for frame +5	2012-01-01 → 2013-12-31	1
36	1546504	Seatcover light complete SB36 ST37,5 for frame standard		1
37	1546512	Seatcover light complete SB36 ST40 for frame standard		1
38	1546520	Seatcover light complete SB36 ST42,5 for frame standard		1
39	1546528	Seatcover light complete SB36 ST45 for frame standard/+5		1
40	1546536	Seatcover light complete SB36 ST47,5 for frame +5	2012-01-01 → 2013-12-31	1
41	1546505	Seatcover light complete SB38 ST37,5 for frame standard		1
42	1546513	Seatcover light complete SB38 ST40 for frame standard		1
43	1546521	Seatcover light complete SB38 ST42,5 for frame standard		1
44	1546529	Seatcover light complete SB38 ST45 for frame standard/+5		1
45	1546537	Seatcover light complete SB38 ST47,5 for frame +5	2012-01-01 → 2013-12-31	1
46	1546506	Seatcover light complete SB40 ST37,5 for frame standard		1
47	1546514	Seatcover light complete SB40 ST40 for frame standard		1
48	1546522	Seatcover light complete SB40 ST42,5 for frame standard		1
49	1546530	Seatcover light complete SB40 ST45 for frame standard/+5		1
50	1546538	Seatcover light complete SB40 ST47,5 for frame +5	2012-01-01 → 2013-12-31	1
51	1546507	Seatcover light complete SB42 ST37,5 for frame standard		1
52	1546515	Seatcover light complete SB42 ST40 for frame standard		1
53	1546523	Seatcover light complete SB42 ST42,5 for frame standard		1
54	1546531	Seatcover light complete SB42 ST45 for frame standard/+5		1
55	1546539	Seatcover light complete SB42 ST47,5 for frame +5	2012-01-01 → 2013-12-31	1
56	1546508	Seatcover light complete SB44 ST37,5 for frame standard		1
57	1546516	Seatcover light complete SB44 ST40 for frame standard		1
58	1546524	Seatcover light complete SB44 ST42,5 for frame standard		1
59	1546532	Seatcover light complete SB44 ST45 for frame standard/+5		1
60	1546540	Seatcover light complete SB44 ST47,5 for frame +5	2012-01-01 → 2013-12-31	1
61	1579366	Seat rail kit SD37,5, pair		1
62	1579367	Seat rail kit SD40, pair		1
63	1579368	Seat rail kit SD42,5, pair		1
64	1579369	Seat rail kit SD45, pair		1
65	1579370	Seat rail kit SD47,5, pair	2012-01-01 → 2013-12-31	1
66	1579375	Fixation kit seat cover		1

## Seat cushion standard



Pos.	Part number	Description	Valid from → until	Qty
1	1556327	Seat cushion 340mm x 380mm		1
2	1556336	Seat cushion 360mm x 380mm		1
3	1556344	Seat cushion 380mm x 380mm		1
4	1556345	Seat cushion 380mm x 400mm		1
5	1556346	Seat cushion 380mm x 420mm		1
6	1556347	Seat cushion 380mm x 440mm		1
7	1556328	Seat cushion 340mm x 400mm		1
8	1556337	Seat cushion 360mm x 400mm		1
9	1556352	Seat cushion 400mm x 400mm		1
10	1556353	Seat cushion 400mm x 420mm		1
11	1556354	Seat cushion 400mm x 440mm		1
12	1556330	Seat cushion 340mm x 440mm		1
13	1556339	Seat cushion 360mm x 440mm		1
14	1556360	Seat cushion 420mm x 440mm		1
15	1556365	Seat cushion 440mm x 440mm		1
16	1556331	Seat cushion 340mm x 460mm		1
17	1556340	Seat cushion 360mm x 460mm		1
18	1556348	Seat cushion 380mm x 460mm		1
19	1556355	Seat cushion 400mm x 460mm		1
20	1556361	Seat cushion 420mm x 460mm		1
21	1556366	Seat cushion 440mm x 460mm		1
22	1556332	Seat cushion 340mm x 480mm	2012-07-01 → 2013-12-31	1
23	1556341	Seat cushion 360mm x 480mm	2012-07-01 → 2013-12-31	1
24	1556349	Seat cushion 380mm x 480mm	2012-07-01 → 2013-12-31	1
25	1556356	Seat cushion 400mm x 480mm	2012-07-01 → 2013-12-31	1
26	1556362	Seat cushion 420mm x 480mm	2012-07-01 → 2013-12-31	1
27	1556367	Seat cushion 440mm x 480mm	2012-07-01 → 2013-12-31	1

# Seat cushion Alcantara



Pos.	Part number	Description	Valid from → until	Qty
1	1517144	Seat cushion SB34 ST37.5 Alcantara black R33 <i>Replaces 1497810</i>		1
2	1517145	Seat cushion SB36 ST37.5 Alcantara black R33 <i>Replaces 1497814</i>		1
3	1517146	Seat cushion SB38 ST37.5 Alcantara black R33 <i>Replaces 1498093</i>		1
4	1517147	Seat cushion SB40 ST37.5 Alcantara black R33 <i>Replaces 1498097</i>		1
5	1517148	Seat cushion SB42 ST37.5 Alcantara black R33 <i>Replaces 1498101</i>		1
6	1517169	Seat cushion SB44 ST37.5 Alcantara black R33 <i>Replaces 1498105</i>		1
7	1517170	Seat cushion SB34 ST40 Alcantara black R33 <i>Replaces 1497811</i>		1
8	1517171	Seat cushion SB36 ST40 Alcantara black R33 <i>Replaces 1497815</i>		1
9	1517172	Seat cushion SB38 ST40 Alcantara black R33 <i>Replaces 1498094</i>		1
10	1517173	Seat cushion SB40 ST40 Alcantara black R33 <i>Replaces 1498098</i>		1
11	1517174	Seat cushion SB42 ST40 Alcantara black R33 <i>Replaces 1498102</i>		1
12	1517175	Seat cushion SB44 ST40 Alcantara black R33 <i>Replaces 1498106</i>		1
13	1517176	Seat cushion SB34 ST42.5 Alcantara black R33 <i>Replaces 1497812</i>		1
14	1517177	Seat cushion SB36 ST42.5 Alcantara black R33 <i>Replaces 1497816</i>		1
15	1517178	Seat cushion SB38 ST42.5 Alcantara black R33 <i>Replaces 1498095</i>		1
16	1517182	Seat cushion SB40 ST42.5 Alcantara black R33 <i>Replaces 1498099</i>		1
17	1517183	Seat cushion SB42 ST42.5 Alcantara black R33 <i>Replaces 1498103</i>		1
18	1517184	Seat cushion SB44 ST42.5 Alcantara black R33 <i>Replaces 1498107</i>		1

## Seat cushion Alcantara

Pos.	Part number	Description	Valid from → until	Qty
19	1517185	Seat cushion SB34 ST45 Alcantara black R33 <i>Replaces 1497813</i>		1
20	1517186	Seat cushion SB36 ST45 Alcantara black R33 <i>Replaces 1497897</i>		1
21	1517187	Seat cushion SB38 ST45 Alcantara black R33 <i>Replaces 1498096</i>		1
22	1517188	Seat cushion SB40 ST45 Alcantara black R33 <i>Replaces 1498100</i>		1
23	1517189	Seat cushion SB42 ST45 Alcantara black R33 <i>Replaces 1498104</i>		1
24	1517190	Seat cushion SB44 ST45 Alcantara black R33 <i>Replaces 1498108</i>		1
25	1517387	Seat cushion SB34 ST37.5 Alcantara bright grey-grey R33 <i>Replaces 1497526</i>	2007-01-01 → 2011-12-31	1
26	1517388	Seat cushion SB36 ST37.5 Alcantara bright grey-grey R33 <i>Replaces 1497530</i>	2007-01-01 → 2011-12-31	1
27	1517389	Seat cushion SB38 ST37.5 Alcantara bright grey-grey R33 <i>Replaces 1497534</i>	2007-01-01 → 2011-12-31	1
28	1517390	Seat cushion SB40 ST37.5 Alcantara bright grey-grey R33 <i>Replaces 1497798</i>	2007-01-01 → 2011-12-31	1
29	1517391	Seat cushion SB42 ST37.5 Alcantara bright grey-grey R33 <i>Replaces 1497802</i>	2007-01-01 → 2011-12-31	1
30	1517392	Seat cushion SB44 ST37.5 Alcantara bright grey-grey R33 <i>Replaces 1497806</i>	2007-01-01 → 2011-12-31	1
31	1517393	Seat cushion SB34 ST40 Alcantara bright grey-grey R33 <i>Replaces 1497527</i>	2007-01-01 → 2011-12-31	1
32	1517394	Seat cushion SB36 ST40 Alcantara bright grey-grey R33 <i>Replaces 1497531</i>	2007-01-01 → 2011-12-31	1
33	1517395	Seat cushion SB38 ST40 Alcantara bright grey-grey R33 <i>Replaces 1497535</i>	2007-01-01 → 2011-12-31	1
34	1517396	Seat cushion SB40 ST40 Alcantara bright grey-grey R33 <i>Replaces 1497799</i>	2007-01-01 → 2011-12-31	1
35	1517397	Seat cushion SB42 ST40 Alcantara bright grey-grey R33 <i>Replaces 1497803</i>	2007-01-01 → 2011-12-31	1
36	1517398	Seat cushion SB44 ST40 Alcantara bright grey-grey R33 <i>Replaces 1497807</i>	2007-01-01 → 2011-12-31	1
37	1517399	Seat cushion SB34 ST42.5 Alcantara bright grey-grey R33 <i>Replaces 1497528</i>	2007-01-01 → 2011-12-31	1
38	1517400	Seat cushion SB36 ST42.5 Alcantara bright grey-grey R33 <i>Replaces 1497532</i>	2007-01-01 → 2011-12-31	1
39	1517401	Seat cushion SB38 ST42.5 Alcantara bright grey-grey R33 <i>Replaces 1497644</i>	2007-01-01 → 2011-12-31	1
40	1517402	Seat cushion SB40 ST42.5 Alcantara bright grey-grey R33 <i>Replaces 1497800</i>	2007-01-01 → 2011-12-31	1
41	1517403	Seat cushion SB42 ST42.5 Alcantara bright grey-grey R33 <i>Replaces 1497804</i>	2007-01-01 → 2011-12-31	1
42	1517404	Seat cushion SB44 ST42.5 Alcantara bright grey-grey R33 <i>Replaces 1497808</i>	2007-01-01 → 2011-12-31	1



## Seat cushion Alcantara

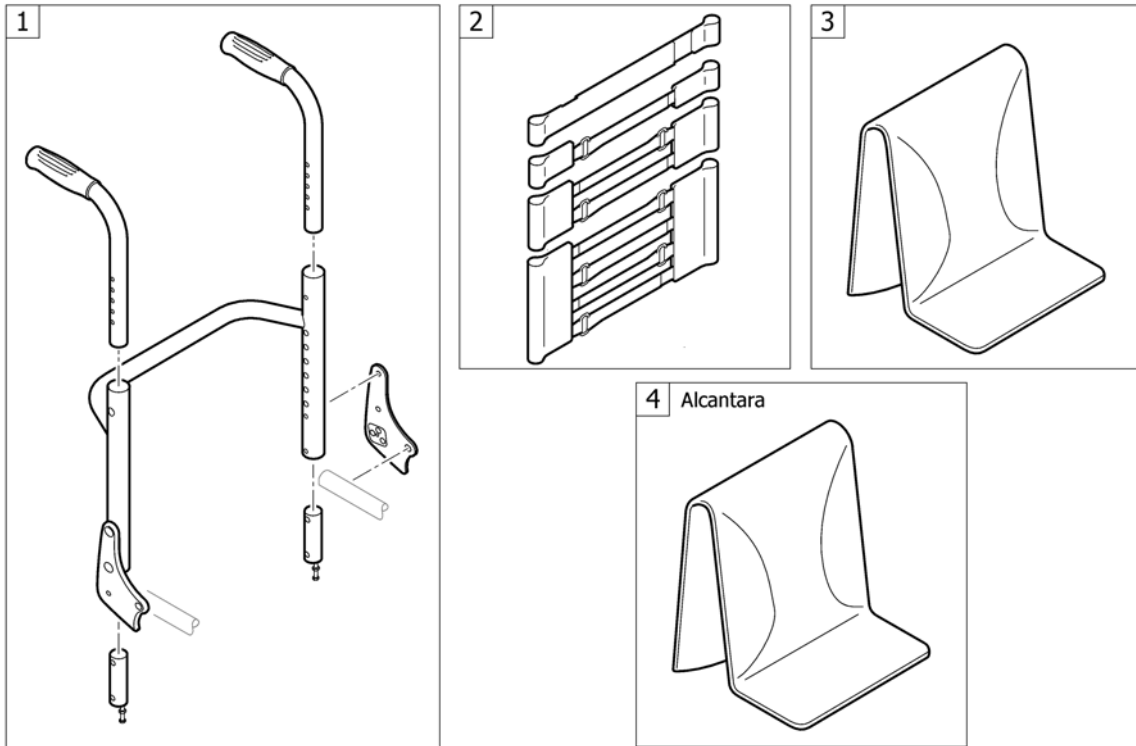
Pos.	Part number	Description	Valid from → until	Qty
43	1517405	Seat cushion SB34 ST45 Alcantara bright grey-grey R33 <i>Replaces 1497529</i>	2007-01-01 → 2011-12-31	1
44	1517406	Seat cushion SB36 ST45 Alcantara bright grey-grey R33 <i>Replaces 1497533</i>	2007-01-01 → 2011-12-31	1
45	1517407	Seat cushion SB38 ST45 Alcantara bright grey-grey R33 <i>Replaces 1497797</i>	2007-01-01 → 2011-12-31	1
46	1517408	Seat cushion SB40 ST45 Alcantara bright grey-grey R33 <i>Replaces 1497801</i>	2007-01-01 → 2011-12-31	1
47	1517409	Seat cushion SB42 ST45 Alcantara bright grey-grey R33 <i>Replaces 1497805</i>	2007-01-01 → 2011-12-31	1
48	1517410	Seat cushion SB44 ST45 Alcantara bright grey-grey R33 <i>Replaces 1497809</i>	2007-01-01 → 2011-12-31	1
49	1542665	Seat cushion SB34 ST37.5 Alcantara black-grey R33	2010-07-01 →	1
50	1542669	Seat cushion SB36 ST37.5 Alcantara black-grey R33	2010-07-01 →	1
51	1542673	Seat cushion SB38 ST37.5 Alcantara black-grey R33	2010-07-01 →	1
52	1542677	Seat cushion SB40 ST37.5 Alcantara black-grey R33	2010-07-01 →	1
53	1542681	Seat cushion SB42 ST37.5 Alcantara black-grey R33	2010-07-01 →	1
54	1542685	Seat cushion SB44 ST37.5 Alcantara black-grey R33	2010-07-01 →	1
55	1542666	Seat cushion SB34 ST40 Alcantara black-grey R33	2010-07-01 →	1
56	1542670	Seat cushion SB36 ST40 Alcantara black-grey R33	2010-07-01 →	1
57	1542674	Seat cushion SB38 ST40 Alcantara black-grey R33	2010-07-01 →	1
58	1542678	Seat cushion SB40 ST40 Alcantara black-grey R33	2010-07-01 →	1
59	1542682	Seat cushion SB42 ST40 Alcantara black-grey R33	2010-07-01 →	1
60	1542686	Seat cushion SB44 ST40 Alcantara black-grey R33	2010-07-01 →	1
61	1542667	Seat cushion SB34 ST42.5 Alcantara black-grey R33	2010-07-01 →	1
62	1542671	Seat cushion SB36 ST42.5 Alcantara black-grey R33	2010-07-01 →	1
63	1542675	Seat cushion SB38 ST42.5 Alcantara black-grey R33	2010-07-01 →	1
64	1542679	Seat cushion SB40 ST42.5 Alcantara black-grey R33	2010-07-01 →	1
65	1542683	Seat cushion SB42 ST42.5 Alcantara black-grey R33	2010-07-01 →	1
66	1542687	Seat cushion SB44 ST42.5 Alcantara black-grey R33	2010-07-01 →	1
67	1542668	Seat cushion SB34 ST45 Alcantara black-grey R33	2010-07-01 →	1
68	1542672	Seat cushion SB36 ST45 Alcantara black-grey R33	2010-07-01 →	1
69	1542676	Seat cushion SB38 ST45 Alcantara black-grey R33	2010-07-01 →	1
70	1542680	Seat cushion SB40 ST45 Alcantara black-grey R33	2010-07-01 →	1
71	1542684	Seat cushion SB42 ST45 Alcantara black-grey R33	2010-07-01 →	1
72	1542688	Seat cushion SB44 ST45 Alcantara black-grey R33	2010-07-01 →	1
73	1517241	Seat cushion SB34 ST37.5 Alcantara grey-red R33 <i>Replaces 1497157</i>		1
74	1517242	Seat cushion SB36 ST37.5 Alcantara grey-red R33 <i>Replaces 1497161</i>		1
75	1517243	Seat cushion SB38 ST37.5 Alcantara grey-red R33 <i>Replaces 1497165</i>		1
76	1517266	Seat cushion SB40 ST37.5 Alcantara grey-red R33 <i>Replaces 1497201</i>		1
77	1517313	Seat cushion SB42 ST37.5 Alcantara grey-red R33 <i>Replaces 1497518</i>		1
78	1517314	Seat cushion SB44 ST37.5 Alcantara grey-red R33 <i>Replaces 1497522</i>		1
79	1517369	Seat cushion SB34 ST40 Alcantara grey-red R33 <i>Replaces 1497158</i>		1
80	1517370	Seat cushion SB36 ST40 Alcantara grey-red R33 <i>Replaces 1497162</i>		1
81	1517371	Seat cushion SB38 ST40 Alcantara grey-red R33 <i>Replaces 1497198</i>		1



## Seat cushion Alcantara

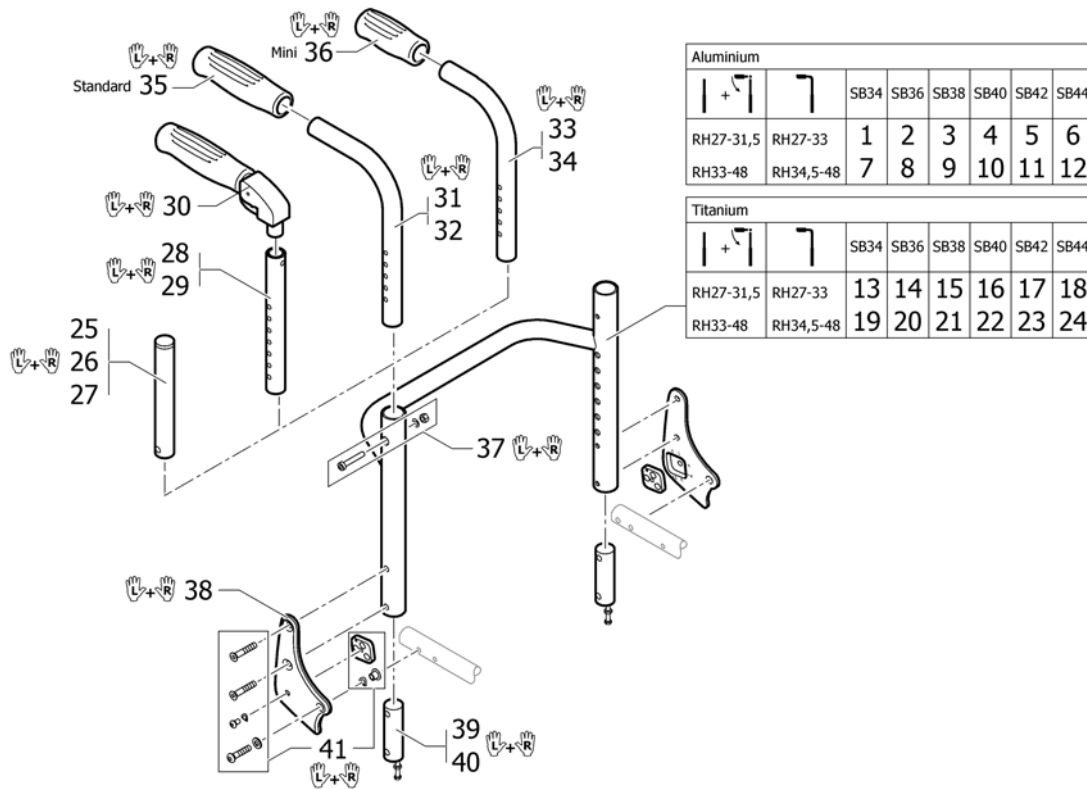
Pos.	Part number	Description	Valid from → until	Qty
82	1517372	Seat cushion SB40 ST40 Alcantara grey-red R33 <i>Replaces 1497324</i>		1
83	1517373	Seat cushion SB42 ST40 Alcantara grey-red R33 <i>Replaces 1497519</i>		1
84	1517374	Seat cushion SB44 ST40 Alcantara grey-red R33 <i>Replaces 1497523</i>		1
85	1517375	Seat cushion SB34 ST42.5 Alcantara grey-red R33 <i>Replaces 1497159</i>		1
86	1517376	Seat cushion SB36 ST42.5 Alcantara grey-red R33 <i>Replaces 1497163</i>		1
87	1517377	Seat cushion SB38 ST42.5 Alcantara grey-red R33 <i>Replaces 1497199</i>		1
88	1517378	Seat cushion SB40 ST42.5 Alcantara grey-red R33 <i>Replaces 1497516</i>		1
89	1517379	Seat cushion SB42 ST42.5 Alcantara grey-red R33 <i>Replaces 1497520</i>		1
90	1517380	Seat cushion SB44 ST42.5 Alcantara grey-red R33 <i>Replaces 1497524</i>		1
91	1517381	Seat cushion SB34 ST45 Alcantara grey-red R33 <i>Replaces 1497160</i>		1
92	1517382	Seat cushion SB36 ST45 Alcantara grey-red R33 <i>Replaces 1497164</i>		1
93	1517383	Seat cushion SB38 ST45 Alcantara grey-red R33 <i>Replaces 1497200</i>		1
94	1517384	Seat cushion SB40 ST45 Alcantara grey-red R33 <i>Replaces 1497517</i>		1
95	1517385	Seat cushion SB42 ST45 Alcantara grey-red R33 <i>Replaces 1497521</i>		1
96	1517386	Seat cushion SB44 ST45 Alcantara grey-red R33 <i>Replaces 1497525</i>		1
97	1517411	Seat cushion SB34 ST37.5 Alcantara black-red R33	2008-01-01 →	1
98	1517412	Seat cushion SB36 ST37.5 Alcantara black-red R33	2008-01-01 →	1
99	1517413	Seat cushion SB38 ST37.5 Alcantara black-red R33	2008-01-01 →	1
100	1517414	Seat cushion SB40 ST37.5 Alcantara black-red R33	2008-01-01 →	1
101	1517415	Seat cushion SB42 ST37.5 Alcantara black-red R33	2008-01-01 →	1
102	1517416	Seat cushion SB44 ST37.5 Alcantara black-red R33	2008-01-01 →	1
103	1517417	Seat cushion SB34 ST40 Alcantara black-red R33	2008-01-01 →	1
104	1517418	Seat cushion SB36 ST40 Alcantara black-red R33	2008-01-01 →	1
105	1517419	Seat cushion SB38 ST40 Alcantara black-red R33	2008-01-01 →	1
106	1517420	Seat cushion SB40 ST40 Alcantara black-red R33	2008-01-01 →	1
107	1517421	Seat cushion SB42 ST40 Alcantara black-red R33	2008-01-01 →	1
108	1517422	Seat cushion SB44 ST40 Alcantara black-red R33	2008-01-01 →	1
109	1517423	Seat cushion SB34 ST42.5 Alcantara black-red R33	2008-01-01 →	1
110	1517424	Seat cushion SB36 ST42.5 Alcantara black-red R33	2008-01-01 →	1
111	1517425	Seat cushion SB38 ST42.5 Alcantara black-red R33	2008-01-01 →	1
112	1517426	Seat cushion SB40 ST42.5 Alcantara black-red R33	2008-01-01 →	1
113	1517427	Seat cushion SB42 ST42.5 Alcantara black-red R33	2008-01-01 →	1
114	1517428	Seat cushion SB44 ST42.5 Alcantara black-red R33	2008-01-01 →	1
115	1517429	Seat cushion SB34 ST45 Alcantara black-red R33	2008-01-01 →	1
116	1517430	Seat cushion SB36 ST45 Alcantara black-red R33	2008-01-01 →	1
117	1517431	Seat cushion SB38 ST45 Alcantara black-red R33	2008-01-01 →	1
118	1517432	Seat cushion SB40 ST45 Alcantara black-red R33	2008-01-01 →	1
119	1517433	Seat cushion SB42 ST45 Alcantara black-red R33	2008-01-01 →	1
120	1517434	Seat cushion SB44 ST45 Alcantara black-red R33	2008-01-01 →	1

# BACKREST



Pos.	Part number	Description	Valid from → until	Qty
1	-	Backrest		1
2	-	Bands to adjustable backrest		1
3	-	Cover to adjustable backrest		1
4	-	Cover to adjustable backrest Alcantara		1

# Backrest

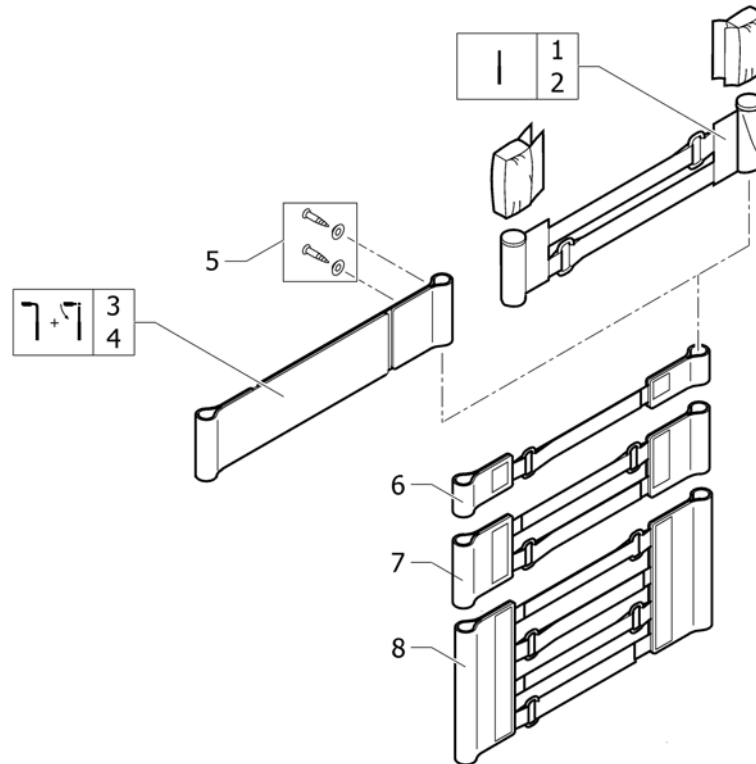


Pos.	Part number	Description	Valid from → until	Qty
1	1491119	Backrest tube Alu SB34 short		1
2	1491120	Backrest tube Alu SB36 short		1
3	1491121	Backrest tube Alu SB38 short		1
4	1491122	Backrest tube Alu SB40 short		1
5	1491214	Backrest tube Alu SB42 short		1
6	1492134	Backrest tube Alu SB44 short		1
7	1491091	Backrest tube Alu SB34 Long		1
8	1491092	Backrest tube Alu SB36 Long		1
9	1451787	Backrest tube Alu SB38 Long		1
10	1451788	Backrest tube Alu SB40 Long		1
11	1451789	Backrest tube Alu SB42 Long		1
12	1451790	Backrest tube Alu SB44 Long		1
13	1451792	Backrest tube Titan SB34 short		1
14	1451793	Backrest tube Titan SB36 short		1
15	1485517	Backrest tube Titan SB38 short		1
16	1485518	Backrest tube Titan SB40 short		1
17	1484827	Backrest tube Titan SB42 short		1
18	1488996	Backrest tube Titan SB44 short		1
19	1488997	Backrest tube Titan SB34 Long		1
20	1488998	Backrest tube Titan SB36 Long		1
21	1488999	Backrest tube Titan SB38 Long		1
22	1489000	Backrest tube Titan SB40 Long		1
23	1489001	Backrest tube Titan SB42 Long		1
24	1489002	Backrest tube Titan SB44 Long		1
25	1511524	Telescopic back tube standard short, pair		1
26	1511525	Telescopic back tube standard medium, pair		1
27	1511526	Telescopic back tube standard long, pair		1
28	1524956	Telescopic tube short for pushhandle foldable, pair		1
29	1525121	Telescopic tube medium for pushhandle foldable, pair		1
30	1507733	Push handles foldable, pair		1
31	1525122	Backrest tube standard, short, pair		1

**Backrest**

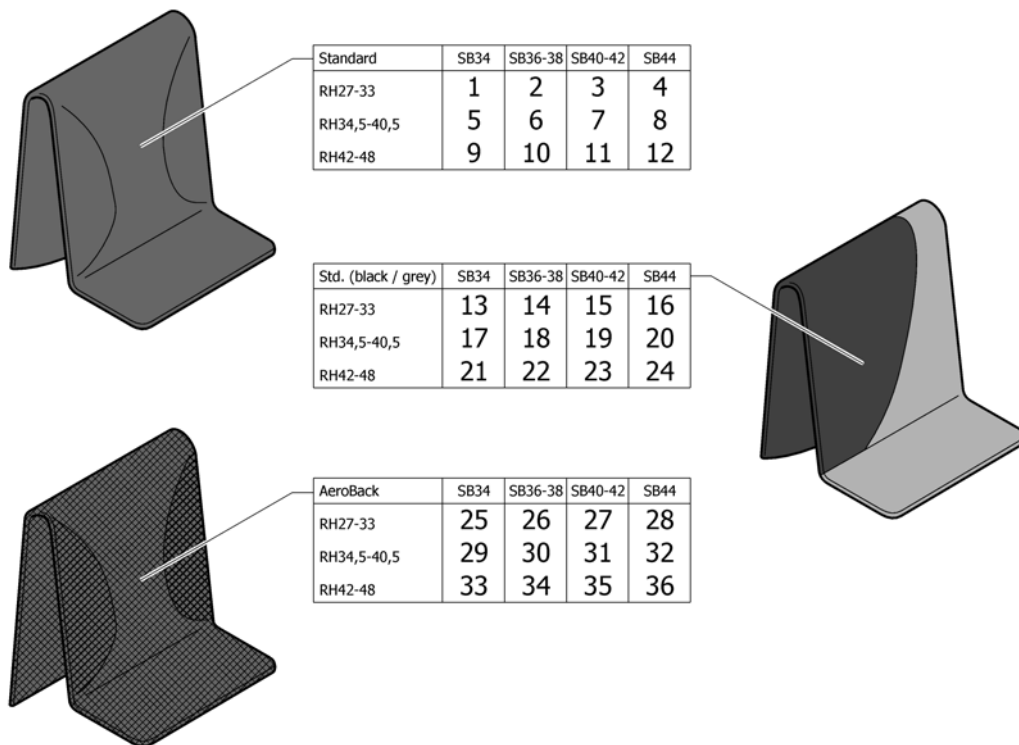
Pos.	Part number	Description	Valid from → until	Qty
32	1525123	Backrest tube standard, long, pair		1
33	1525124	Backrest tube mini, short, pair		1
34	1525125	Backrest tube mini, long, pair		1
35	1507734	Handle black, pair		1
36	1525126	Handle black, mini, pair		1
37	1509136	Screw kit for backrest tube		1
38	1487963-0004	Backrest joint plate, pair, black anodized		1
38	1487963-0182	Backrest joint plate, pair, champagne	2013-01-01 →	1
38	1487963-0183	Backrest joint plate, pair, olive	2013-01-01 →	1
38	1487963-0001	Backrest joint plate, pair, chrome		1
38	1487963-0400	Backrest joint plate, pair, techno-anthrazit		1
38	1487963-0401	Backrest joint plate, pair, lemon	2007-01-01 → 2012-12-31	1
38	1487963-0404	Backrest joint plate, pair, b-blue		1
38	1487963-0440	Backrest joint plate, pair, comet red		1
38	1487963-0441	Backrest joint plate, pair, arctic blue		1
39	1487962	Sleeves for backrest tube alu, pair complete		1
40	1505352	Sleeves for backrest tube Titan, pair complete		1
41	1487964	Fixation kit to backrest joint		1

## Bands to adjustable backrest



Pos.	Part number	Description	Valid from → until	Qty
1	1513172	Velcro end part, 5 cm <i>Replaces 1416975</i>		1
2	1513173	Velcro end part, 10cm <i>Replaces 1416974</i>		1
3	1513170	Backrest band 2 parts, width: 5cm <i>Replaces 709.1009</i>		1
4	1513171	Backrest band 2 parts, width: 10cm <i>Replaces 709.1018</i>		1
5	1432083	Fixation kit for backrest band		1
6	1513167	Velcro adjustment part with 1 strap, pair <i>Replaces 1439291</i>		1
7	1513168	Velcro adjustment strap with 2 straps, pair <i>Replaces 707.1088</i>		1
8	1513169	Velcro adjustment strap with 4 straps, pair <i>Replaces 707.1087</i>		1

# Cover to adjustable backrest

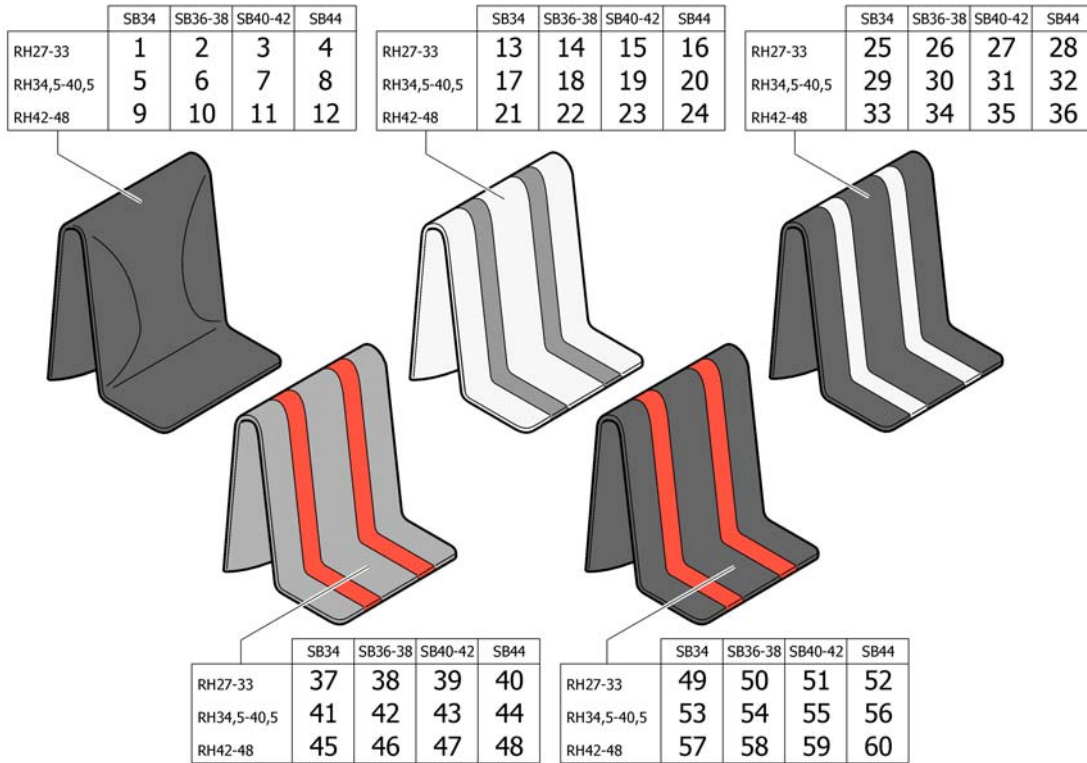


Pos.	Part number	Description	Valid from → until	Qty
1	1512137	Cover to adjustable backrest, SB32-34, short <i>Replaces 1438884</i>	2007-01-01 → 2011-12-31	1
2	1512138	Cover to adjustable backrest, SB36-38, short <i>Replaces 1438886</i>	2007-01-01 → 2011-12-31	1
3	1512139	Cover to adjustable backrest, SB40-42, short <i>Replaces 1438888</i>	2007-01-01 → 2011-12-31	1
4	1512140	Cover to adjustable backrest, SB44-46, short <i>Replaces 1438890</i>	2007-01-01 → 2011-12-31	1
5	1512144	Cover to adjustable backrest, SB32-34, medium <i>Replaces 1432010</i>	2007-01-01 → 2011-12-31	1
6	1512145	Cover to adjustable backrest, SB36-38, medium <i>Replaces 1432012</i>	2007-01-01 → 2011-12-31	1
7	1512146	Cover to adjustable backrest, SB40-42, medium <i>Replaces 1432014</i>	2007-01-01 → 2011-12-31	1
8	1512147	Cover to adjustable backrest, SB44-46, medium <i>Replaces 1438893</i>	2007-01-01 → 2011-12-31	1
9	1512151	Cover to adjustable backrest, SB32-34, long <i>Replaces 1432016</i>	2007-01-01 → 2011-12-31	1
10	1512152	Cover to adjustable backrest, SB36-38, long <i>Replaces 1432018</i>	2007-01-01 → 2011-12-31	1
11	1512153	Cover to adjustable backrest, SB40-42, long <i>Replaces 1432020</i>	2007-01-01 → 2011-12-31	1
12	1512154	Cover to adjustable backrest, SB44-46, long <i>Replaces 1438896</i>	2007-01-01 → 2011-12-31	1
13	1547153	Cover black and grey to adjustable backrest, SB32-34, short	2012-01-01 →	1
14	1547154	Cover black and grey to adjustable backrest, SB36-38, short	2012-01-01 →	1

**Cover to adjustable backrest**

Pos.	Part number	Description	Valid from → until	Qty
15	1547155	Cover black and grey to adjustable backrest, SB40-42, short	2012-01-01 →	1
16	1547156	Cover black and grey to adjustable backrest, SB44-46, short	2012-01-01 →	1
17	1547158	Cover black and grey to adjustable backrest, SB32-34, medium	2012-01-01 →	1
18	1547159	Cover black and grey to adjustable backrest, SB36-38, medium	2012-01-01 →	1
19	1547160	Cover black and grey to adjustable backrest, SB40-42, medium	2012-01-01 →	1
20	1547161	Cover black and grey to adjustable backrest, SB44-46, medium	2012-01-01 →	1
21	1547163	Cover black and grey to adjustable backrest, SB32-34, long	2012-01-01 →	1
22	1547164	Cover black and grey to adjustable backrest, SB36-38, long	2012-01-01 →	1
23	1547165	Cover black and grey to adjustable backrest, SB40-42, long	2012-01-01 →	1
24	1547166	Cover black and grey to adjustable backrest, SB44-46, long	2012-01-01 →	1
25	1512156	Cover 'Aero' to adjustable backrest, SB32-34, short <i>Replaces 1438446</i>		1
26	1512157	Cover 'Aero' to adjustable backrest, SB36-38, short <i>Replaces 1438448</i>		1
27	1512158	Cover 'Aero' to adjustable backrest, SB40-42, short <i>Replaces 1438450</i>		1
28	1512159	Cover 'Aero' to adjustable backrest, SB44-46, short <i>Replaces 1438452</i>		1
29	1512161	Cover 'Aero' to adjustable backrest, SB32-34, medium <i>Replaces 1438455</i>		1
30	1512162	Cover 'Aero' to adjustable backrest, SB36-38, medium <i>Replaces 1438457</i>		1
31	1512163	Cover 'Aero' to adjustable backrest, SB40-42, medium <i>Replaces 1438459</i>		1
32	1512164	Cover 'Aero' to adjustable backrest, SB44-46, medium <i>Replaces 1438461</i>		1
33	1512166	Cover 'Aero' to adjustable backrest, SB32-34, long <i>Replaces 1438464</i>		1
34	1512167	Cover 'Aero' to adjustable backrest, SB36-38, long <i>Replaces 1438466</i>		1
35	1512168	Cover 'Aero' to adjustable backrest, SB40-42, long <i>Replaces 1438468</i>		1
36	1512169	Cover 'Aero' to adjustable backrest, SB44-46, long <i>Replaces 1438470</i>		1

# Cover to adjustable backrest Alcantara



Pos.	Part number	Description	Valid from → until	Qty
1	1517466	Cover to adjustable backrest Alcantara black SB 34 short <i>Replaces 1497136</i>		1
2	1517467	Cover to adjustable backrest Alcantara black SB 36-38 short <i>Replaces 1497137</i>		1
3	1517468	Cover to adjustable backrest Alcantara black SB 40-42 short <i>Replaces 1497138</i>		1
4	1517469	Cover to adjustable backrest Alcantara black SB 44-46 short <i>Replaces 1497139</i>		1
5	1517470	Cover to adjustable backrest Alcantara black SB 34 medium <i>Replaces 1497140</i>		1
6	1517471	Cover to adjustable backrest Alcantara black SB 36-38 medium <i>Replaces 1497141</i>		1
7	1517472	Cover to adjustable backrest Alcantara black SB 40-42 medium <i>Replaces 1497142</i>		1
8	1517473	Cover to adjustable backrest Alcantara black SB 44-46 medium <i>Replaces 1497143</i>		1
9	1517474	Cover to adjustable backrest Alcantara black SB 34 long <i>Replaces 1497153</i>		1
10	1517475	Cover to adjustable backrest Alcantara black SB 36-38 long <i>Replaces 1497154</i>		1
11	1517476	Cover to adjustable backrest Alcantara black SB 40-42 long <i>Replaces 1497155</i>		1
12	1517477	Cover to adjustable backrest Alcantara black SB 44-46 long <i>Replaces 1497156</i>		1
13	1517490	Cover to adjustable backrest Alcantara grey, dark grey SB 34 short <i>Replaces 1497124</i>	2007-01-01 → 2011-12-31	1
14	1517491	Cover to adjustable backrest Alcantara grey, dark grey SB 36-38 short <i>Replaces 1497125</i>	2007-01-01 → 2011-12-31	1
15	1517492	Cover to adjustable backrest Alcantara grey, dark grey SB 40-42 short <i>Replaces 1497126</i>	2007-01-01 → 2011-12-31	1
16	1517493	Cover to adjustable backrest Alcantara grey, dark grey SB 44 short <i>Replaces 1497127</i>	2007-01-01 → 2011-12-31	1

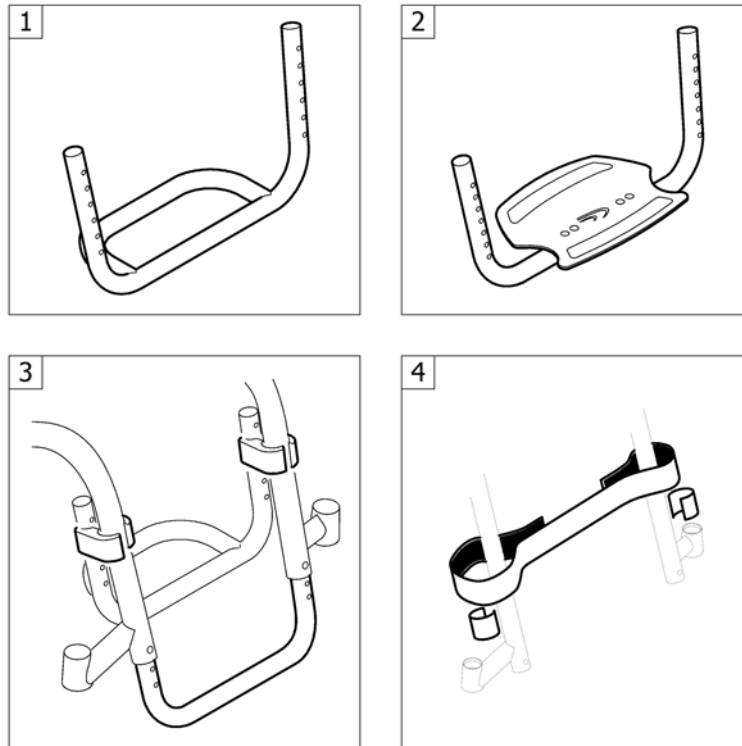


## Cover to adjustable backrest Alcantara

Pos.	Part number	Description	Valid from → until	Qty
17	1517494	Cover to adjustable backrest Alcantara grey, dark grey SB 34 medium <i>Replaces 1497128</i>	2007-01-01 → 2011-12-31	1
18	1517495	Cover to adjustable backrest Alcantara grey, dark grey SB 36-38 medium <i>Replaces 1497129</i>	2007-01-01 → 2011-12-31	1
19	1517496	Cover to adjustable backrest Alcantara grey, dark grey SB 40-42 medium <i>Replaces 1497130</i>	2007-01-01 → 2011-12-31	1
20	1517497	Cover to adjustable backrest Alcantara grey, dark grey SB 44 medium <i>Replaces 1497131</i>	2007-01-01 → 2011-12-31	1
21	1517498	Cover to adjustable backrest Alcantara grey, dark grey SB 34 long <i>Replaces 1497132</i>	2007-01-01 → 2011-12-31	1
22	1517499	Cover to adjustable backrest Alcantara grey, dark grey SB 36-38 long <i>Replaces 1497133</i>	2007-01-01 → 2011-12-31	1
23	1517500	Cover to adjustable backrest Alcantara grey, dark grey SB 40-42 long <i>Replaces 1497134</i>	2007-01-01 → 2011-12-31	1
24	1517501	Cover to adjustable backrest Alcantara grey, dark grey SB 44 long <i>Replaces 1497135</i>	2007-01-01 → 2011-12-31	1
25	1542689	Cover to adjustable backrest Alcantara black, grey SB 34 short	2010-07-01 →	1
26	1542690	Cover to adjustable backrest Alcantara black, grey SB 36-38 short	2010-07-01 →	1
27	1542691	Cover to adjustable backrest Alcantara black, grey SB 40-42 short	2010-07-01 →	1
28	1542692	Cover to adjustable backrest Alcantara black, grey SB 44 short	2010-07-01 →	1
29	1542693	Cover to adjustable backrest Alcantara black, grey SB 34 medium	2010-07-01 →	1
30	1542694	Cover to adjustable backrest Alcantara black, grey SB 36-38 medium	2010-07-01 →	1
31	1542695	Cover to adjustable backrest Alcantara black, grey SB 40-42 medium	2010-07-01 →	1
32	1542696	Cover to adjustable backrest Alcantara black, grey SB 44 medium	2010-07-01 →	1
33	1542697	Cover to adjustable backrest Alcantara black, grey SB 34 long	2010-07-01 →	1
34	1542698	Cover to adjustable backrest Alcantara black, grey SB 36-38 long	2010-07-01 →	1
35	1542699	Cover to adjustable backrest Alcantara black, grey SB 40-42 long	2010-07-01 →	1
36	1542700	Cover to adjustable backrest Alcantara black, grey SB 44 long	2010-07-01 →	1
37	1517478	Cover to adjustable backrest Alcantara grey, red SB 34 short <i>Replaces 1497112</i>		1
38	1517479	Cover to adjustable backrest Alcantara grey, red SB 36-38 short <i>Replaces 1497113</i>		1
39	1517480	Cover to adjustable backrest Alcantara grey, red SB 40-42 short <i>Replaces 1497114</i>		1
40	1517481	Cover to adjustable backrest Alcantara grey, red SB 44 short <i>Replaces 1497115</i>		1
41	1517482	Cover to adjustable backrest Alcantara grey, red SB 34 medium <i>Replaces 1497116</i>		1
42	1517483	Cover to adjustable backrest Alcantara grey, red SB 36-38 medium <i>Replaces 1497117</i>		1
43	1517484	Cover to adjustable backrest Alcantara grey, red SB 40-42 medium <i>Replaces 1497118</i>		1
44	1517485	Cover to adjustable backrest Alcantara grey, red SB 44 medium <i>Replaces 1497119</i>		1
45	1517486	Cover to adjustable backrest Alcantara grey, red SB 34 long <i>Replaces 1497120</i>		1
46	1517487	Cover to adjustable backrest Alcantara grey, red SB 36-38 long <i>Replaces 1497121</i>		1
47	1517488	Cover to adjustable backrest Alcantara grey, red SB 40-42 long <i>Replaces 1497122</i>		1
48	1517489	Cover to adjustable backrest Alcantara grey, red SB 44 long <i>Replaces 1497123</i>		1
49	1517502	Cover to adjustable backrest Alcantara black, red SB 34 short	2008-01-01 →	1
50	1517503	Cover to adjustable backrest Alcantara black, red SB 36-38 short	2008-01-01 →	1
51	1517504	Cover to adjustable backrest Alcantara black, red SB 40-42 short	2008-01-01 →	1

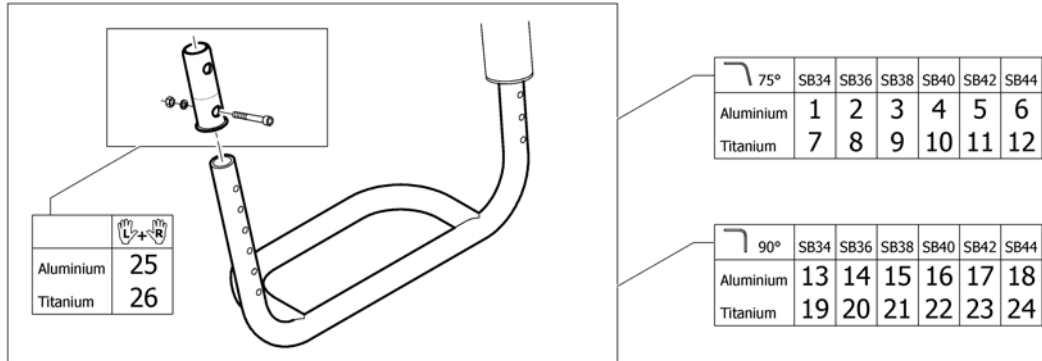
**Cover to adjustable backrest Alcantara**

<b>Pos.</b>	<b>Part number</b>	<b>Description</b>	<b>Valid from → until</b>	<b>Qty</b>
52	1517505	Cover to adjustable backrest Alcantara black, red SB 44 short	2008-01-01 →	1
53	1517506	Cover to adjustable backrest Alcantara black, red SB 34 medium	2008-01-01 →	1
54	1517507	Cover to adjustable backrest Alcantara black, red SB 36-38 medium	2008-01-01 →	1
55	1517508	Cover to adjustable backrest Alcantara black, red SB 40-42 medium	2008-01-01 →	1
56	1517509	Cover to adjustable backrest Alcantara black, red SB 44 medium	2008-01-01 →	1
57	1517510	Cover to adjustable backrest Alcantara black, red SB 34 long	2008-01-01 →	1
58	1517511	Cover to adjustable backrest Alcantara black, red SB 36-38 long	2008-01-01 →	1
59	1517512	Cover to adjustable backrest Alcantara black, red SB 40-42 long	2008-01-01 →	1
60	1517513	Cover to adjustable backrest Alcantara black, red SB 44 long	2008-01-01 →	1



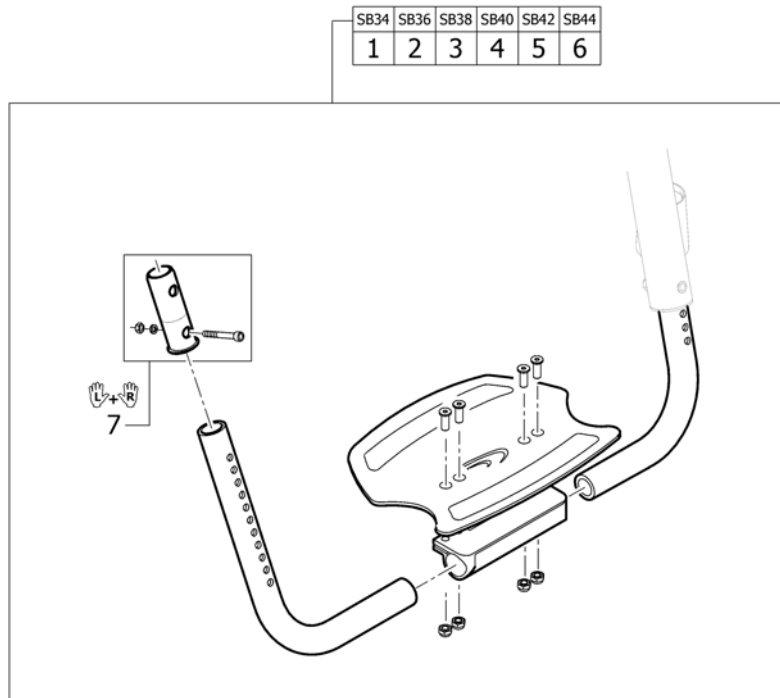
Pos.	Part number	Description	Valid from → until	Qty
1	-	Footrest standard		1
2	-	Footrest angle adjustable		1
3	-	Footrest mounted in high position		1
4	-	Calf strap		1

# Footrest standard



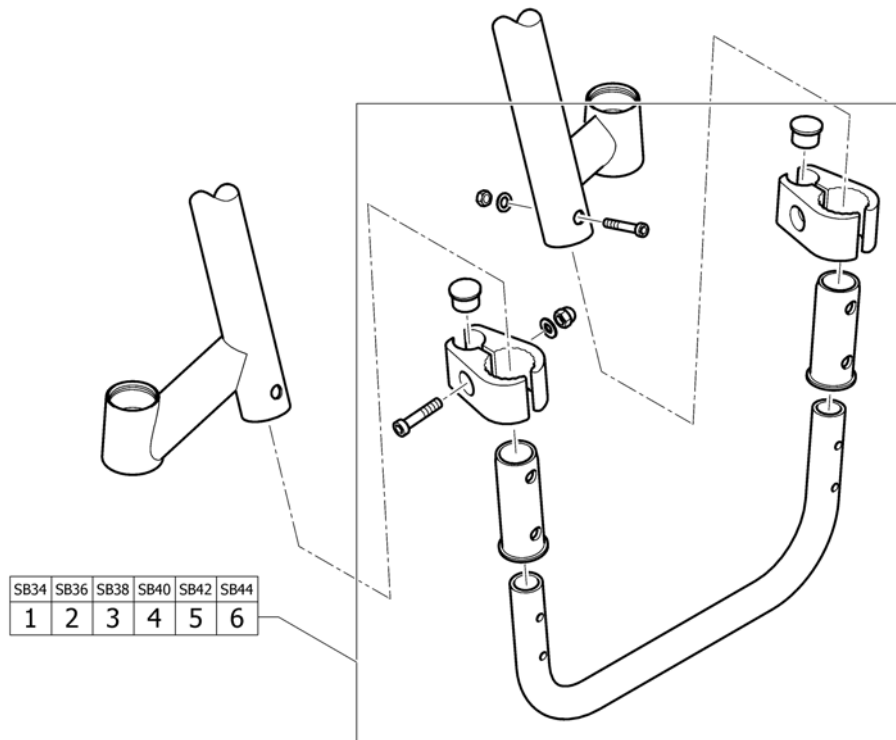
Pos.	Part number	Description	Valid from → until	Qty
1	1505353	Footrest 75° SB34 Alu		1
2	1505354	Footrest 75° SB36 Alu		1
3	1505355	Footrest 75° SB38 Alu		1
4	1505356	Footrest 75° SB40 Alu		1
5	1505357	Footrest 75° SB42 Alu		1
6	1505358	Footrest 75° SB44 Alu		1
7	1505365	Footrest 75° SB34 Titan		1
8	1505366	Footrest 75° SB36 Titan		1
9	1505367	Footrest 75° SB38 Titan		1
10	1505368	Footrest 75° SB40 Titan		1
11	1505369	Footrest 75° SB42 Titan		1
12	1505370	Footrest 75° SB44 Titan		1
13	1505359	Footrest 90° SB34 Alu		1
14	1505360	Footrest 90° SB36 Alu		1
15	1505361	Footrest 90° SB38 Alu		1
16	1505362	Footrest 90° SB40 Alu		1
17	1505363	Footrest 90° SB42 Alu		1
18	1505364	Footrest 90° SB44 Alu		1
19	1505371	Footrest 90° SB34 Titan		1
20	1505372	Footrest 90° SB36 Titan		1
21	1505373	Footrest 90° SB38 Titan		1
22	1505374	Footrest 90° SB40 Titan		1
23	1505375	Footrest 90° SB42 Titan		1
24	1505376	Footrest 90° SB44 Titan		1
25	1532398	Fixation kit footplate telescope		1
26	1451717	Footplate sleeve Titanium		1

# Footrest angle adjustable



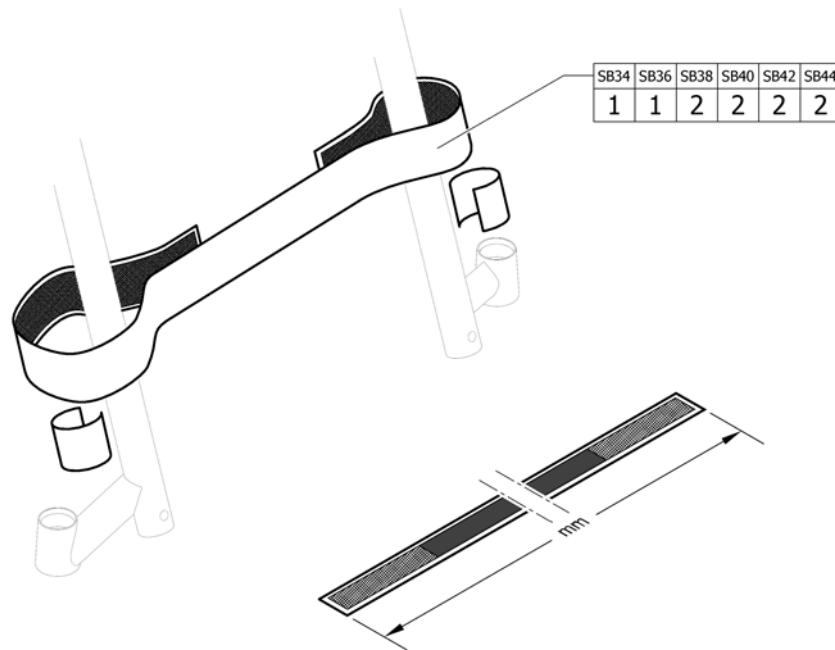
Pos.	Part number	Description	Valid from → until	Qty
1	1505377	Footrest, angle adjustable SB34		1
2	1505378	Footrest, angle adjustable SB36		1
3	1505379	Footrest, angle adjustable SB38		1
4	1505380	Footrest, angle adjustable SB40		1
5	1505381	Footrest, angle adjustable SB42		1
6	1505382	Footrest, angle adjustable SB44		1
7	1532398	Fixation kit footplate telescope		1

## Footrest mounted in high position



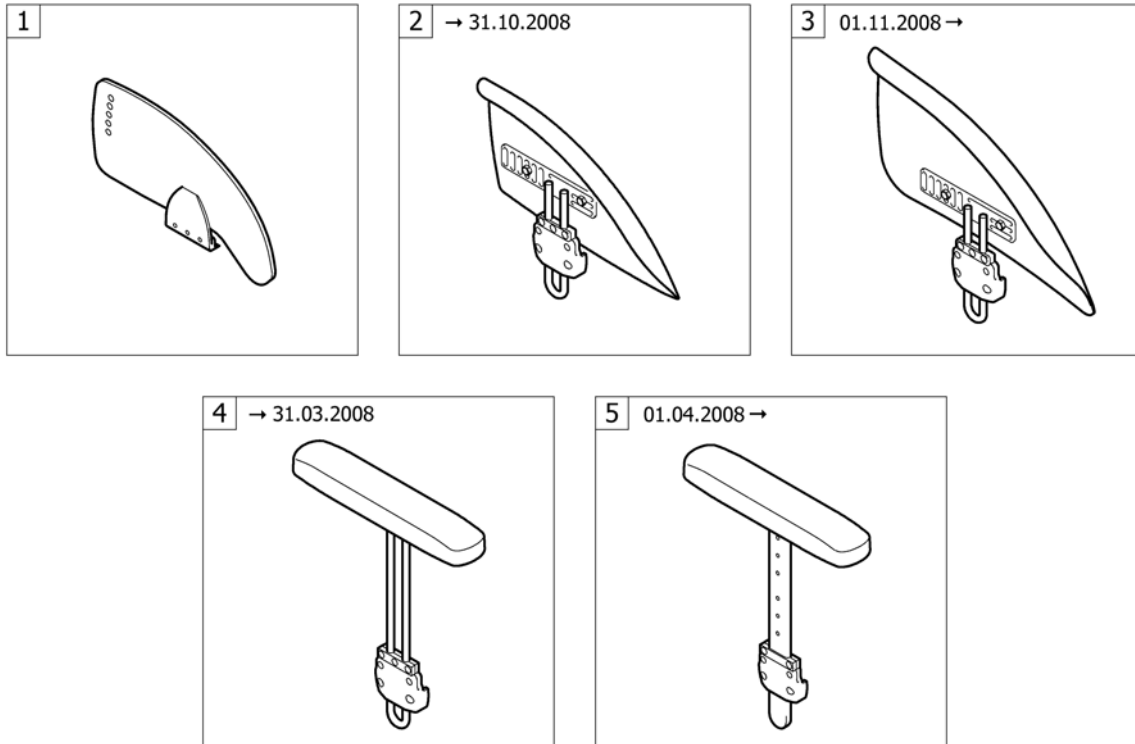
Pos.	Part number	Description	Valid from → until	Qty
1	1505383	Tube set for footrest, mounted in high position, SB34		1
2	1505384	Tube set for footrest, mounted in high position, SB36		1
3	1505385	Tube set for footrest, mounted in high position, SB38		1
4	1505386	Tube set for footrest, mounted in high position, SB40		1
5	1505387	Tube set for footrest, mounted in high position, SB42		1
6	1505388	Tube set for footrest, mounted in high position, SB44		1

# Calf strap



Pos.	Part number	Description	Valid from → until	Qty
1	1561528	Calf strap complete, 780mm		1
2	1561529	Calf strap complete, 940mm		1

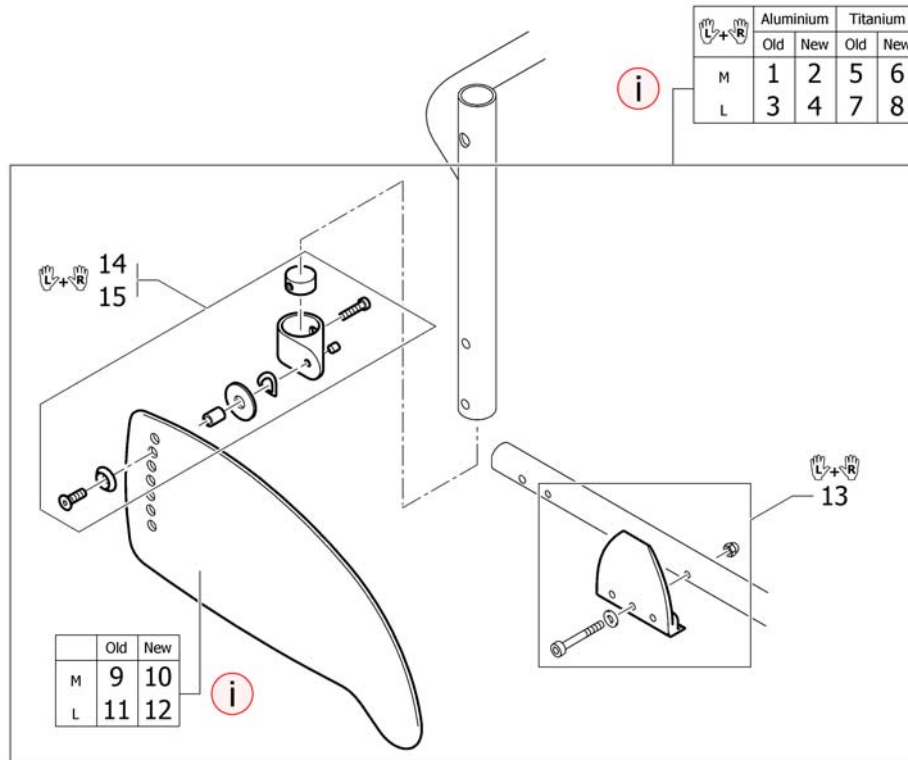
# SIDERESTS



Pos.	Part number	Description	Valid from → until	Qty
1	-	Clothes-guards		1
3	-	Mudguards 01.11.2008=>		1
5	-	Siderest height adjustable 01.04.2008=>	→ 2014-12-31	1

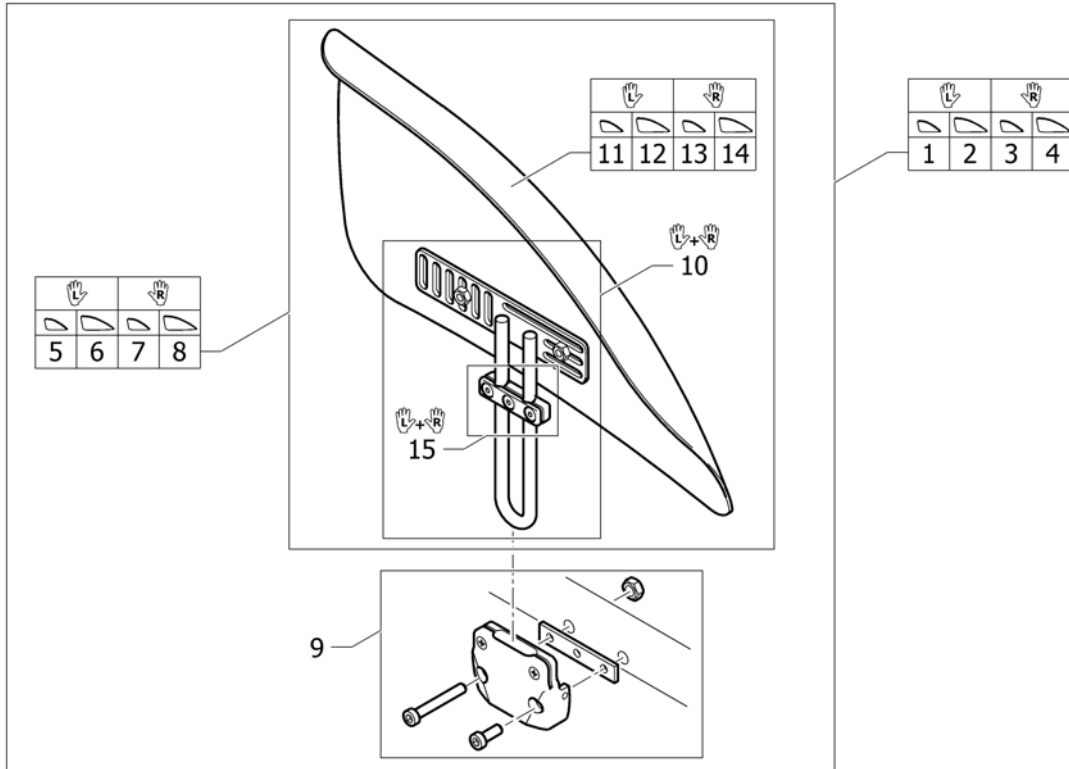


# Clothes-guards



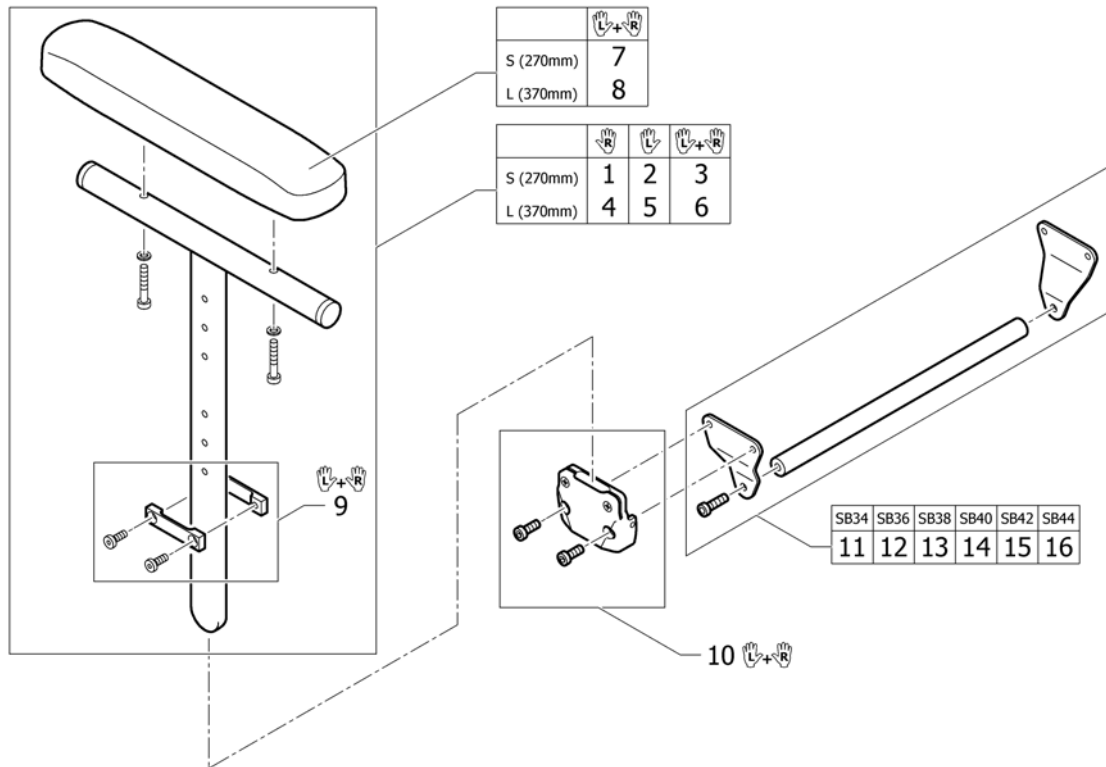
Pos.	Part number	Description	Valid from → until	Qty
i	-	New design with improved profile ensures better coverage. Recommended as a pair.		0
2	1578798	Clothes-guards Carbon M with fixation kit to backrest Aluminium, pair	2009-03-01 →	1
4	1578799	Clothes-guards Carbon L with fixation kit to backrest Aluminium, pair	2008-12-11 →	1
6	1578796	Clothes-guards Carbon M with fixation kit to backrest Titan, pair	2009-03-01 →	1
8	1578797	Clothes-guards Carbon L with fixation kit to backrest Titan, pair	2008-12-11 →	1
10	1547461	Clothes-guard carbon M	2009-03-01 →	2
12	1547462	Clothes-guard carbon L	2008-12-11 →	2
13	1505389	Fixation kit clothes-guard to frame		1
14	1451722	Fixation kit clothes-guard to backrest Aluminium		1
15	1505390	Fixation kit clothes-guard to backrest Titanium		1

# Mudguards 01.11.2008=>



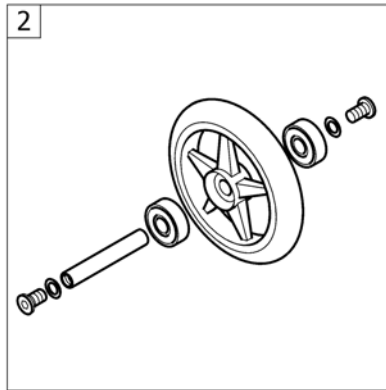
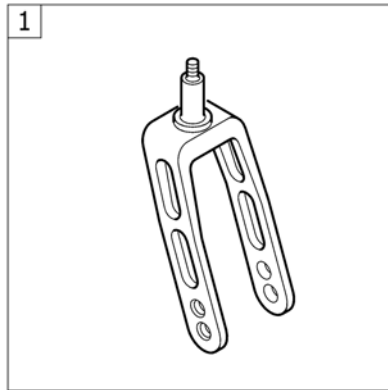
Pos.	Part number	Description	Valid from → until	Qty
1	1529308	Mudguard Carbon left M short complete	2008-11-01 →	1
2	1529309	Mudguard Carbon left L short complete	2008-11-01 →	1
3	1529310	Mudguard Carbon right M short complete	2008-11-01 →	1
4	1529311	Mudguard Carbon right L short complete	2008-11-01 →	1
5	1529300	Mudguard Carbon left M short	2008-11-01 →	1
6	1529301	Mudguard Carbon left L short	2008-11-01 →	1
7	1529302	Mudguard Carbon right M short	2008-11-01 →	1
8	1529303	Mudguard Carbon right L short	2008-11-01 →	1
9	1451727	Fixationset mudguard frame		1
10	1451728	Mudguard holder short, pair		1
11	1510275	Mudguard Carbon left M	2008-11-01 →	1
12	1510277	Mudguard Carbon left L	2008-11-01 →	1
13	1510276	Mudguard Carbon right M	2008-11-01 →	1
14	1510278	Mudguard Carbon right L	2008-11-01 →	1
15	1437465	Siderests height clamp kit, pair		1

## Siderest height adjustable 01.04.2008=>

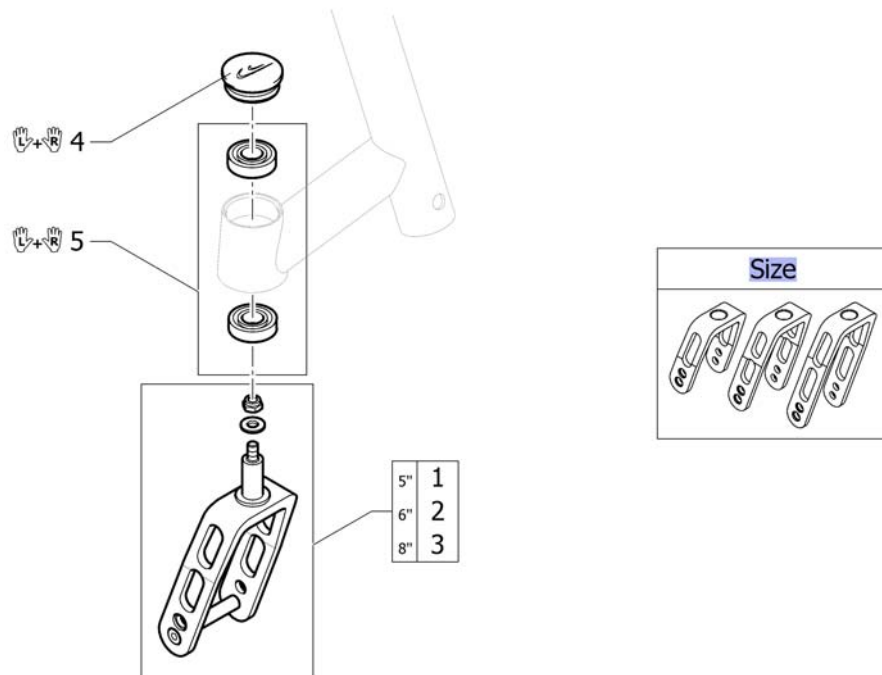


Pos.	Part number	Description	Valid from → until	Qty
1	1517677	Siderest height adjustable short, right	2008-04-01 → 2014-12-31	1
2	1517678	Siderest height adjustable short, left	2008-04-01 → 2014-12-31	1
3	1517682	Siderest height adjustable short, pair	2008-04-01 → 2014-12-31	1
4	1517679	Siderest height adjustable long, right	2008-04-01 → 2014-12-31	1
5	1517680	Siderest height adjustable long, left	2008-04-01 → 2014-12-31	1
6	1517683	Siderest height adjustable long, pair	2008-04-01 → 2014-12-31	1
7	1439497	Ampad S (270mm) incl. screws, pair	→ 2014-12-31	1
8	1439498	Ampad L (370mm) incl. screws, pair	→ 2014-12-31	1
9	1517681	Siderests height clamp kit, pair	→ 2014-12-31	1
10	1505391	Fixation Siderest-to-Frame, pair	→ 2014-12-31	1
11	1505433	Bracket kit for siderest SB34	→ 2014-12-31	1
12	1505434	Bracket kit for siderest SB36	→ 2014-12-31	1
13	1505561	Bracket kit for siderest SB38	→ 2014-12-31	1
14	1505562	Bracket kit for siderest SB40	→ 2014-12-31	1
15	1505563	Bracket kit for siderest SB42	→ 2014-12-31	1
16	1505564	Bracket kit for siderest SB44	→ 2014-12-31	1

# FRONT WHEELS



Pos.	Part number	Description	Valid from → until	Qty
1	-	Front wheel supporter		1
2	-	Front wheels		1



Pos.	Part number	Description	Valid from → until	Qty
Size	-	Configuration table for front fork size		0
1	1432004-0004	Front fork 5" with bolt, black anodized		2
1	1432004-0001	Front fork 5" with bolt, chrome		2
1	1432004-0182	Front fork 5" with bolt, champagne	2013-01-01 →	2
1	1432004-0183	Front fork 5" with bolt, olive	2013-01-01 →	2
1	1432004-0400	Front fork 5" with bolt, techno-anthrazit		2
1	1432004-0401	Front fork 5" with bolt, lemon	2007-01-01 → 2012-12-31	2
1	1432004-0404	Front fork 5" with bolt, b-blue		2
1	1432004-0440	Front fork 5" with bolt, comet red		2
1	1432004-0441	Front fork 5" with bolt, arctic blue		2
2	1432005-0004	Front fork 6" with bolt, black anodized		2
2	1432005-0001	Front fork 6" with bolt, chrome		2
2	1432005-0182	Front fork 6" with bolt, champagne	2013-01-01 →	2
2	1432005-0183	Front fork 6" with bolt, olive	2013-01-01 →	2
2	1432005-0400	Front fork 6" with bolt, techno-anthrazit		2
2	1432005-0401	Front fork 6" with bolt, lemon	2007-01-01 → 2012-12-31	2
2	1432005-0404	Front fork 6" with bolt, b-blue		2
2	1432005-0440	Front fork 6" with bolt, comet red		2
2	1432005-0441	Front fork 6" with bolt, arctic blue		2
3	1432006-0004	Front fork 8" with bolt, black anodized		2
3	1432006-0001	Front fork 8" with bolt, chrome		2
3	1432006-0182	Front fork 8" with bolt, champagne	2013-01-01 →	2
3	1432006-0183	Front fork 8" with bolt, olive	2013-01-01 →	2
3	1432006-0400	Front fork 8" with bolt, techno-anthrazit		2
3	1432006-0401	Front fork 8" with bolt, lemon	2007-01-01 → 2012-12-31	2
3	1432006-0404	Front fork 8" with bolt, b-blue		2
3	1432006-0440	Front fork 8" with bolt, comet red		2
3	1432006-0441	Front fork 8" with bolt, arctic blue		2
4	1451718	Bearing kit		1

## Front wheel supporter

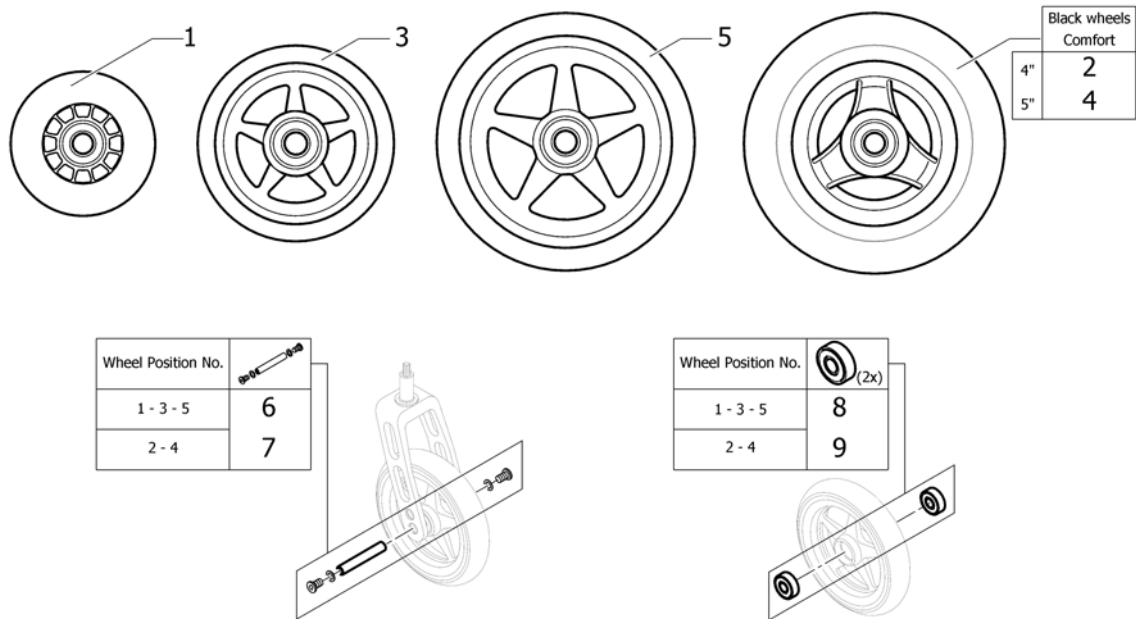
Pos.	Part number	Description	Valid from → until	Qty
5	1487961-0004	Bearing block cap pair, black anodized		1
5	1487961-0001	Bearing block cap pair, chrome		1
5	1487961-0182	Bearing block cap pair, champagne	2013-01-01 →	1
5	1487961-0183	Bearing block cap pair, olive	2013-01-01 →	1
5	1487961-0400	Bearing block cap pair, techno-anthrazit		1
5	1487961-0401	Bearing block cap pair, lemon	2007-01-01 → 2012-12-31	1
5	1487961-0404	Bearing block cap pair, b-blue		1
5	1487961-0440	Bearing block cap pair, comet red		1
5	1487961-0441	Bearing block cap pair, arctic blue		1

## Configuration table for front fork size



Pos.	Part number	Description	Valid from → until	Qty
5"	-	Front fork, Size 5"		0
6"	-	Front fork, Size 6"		0
8"	-	Front fork, Size 8"		0

# Front wheels



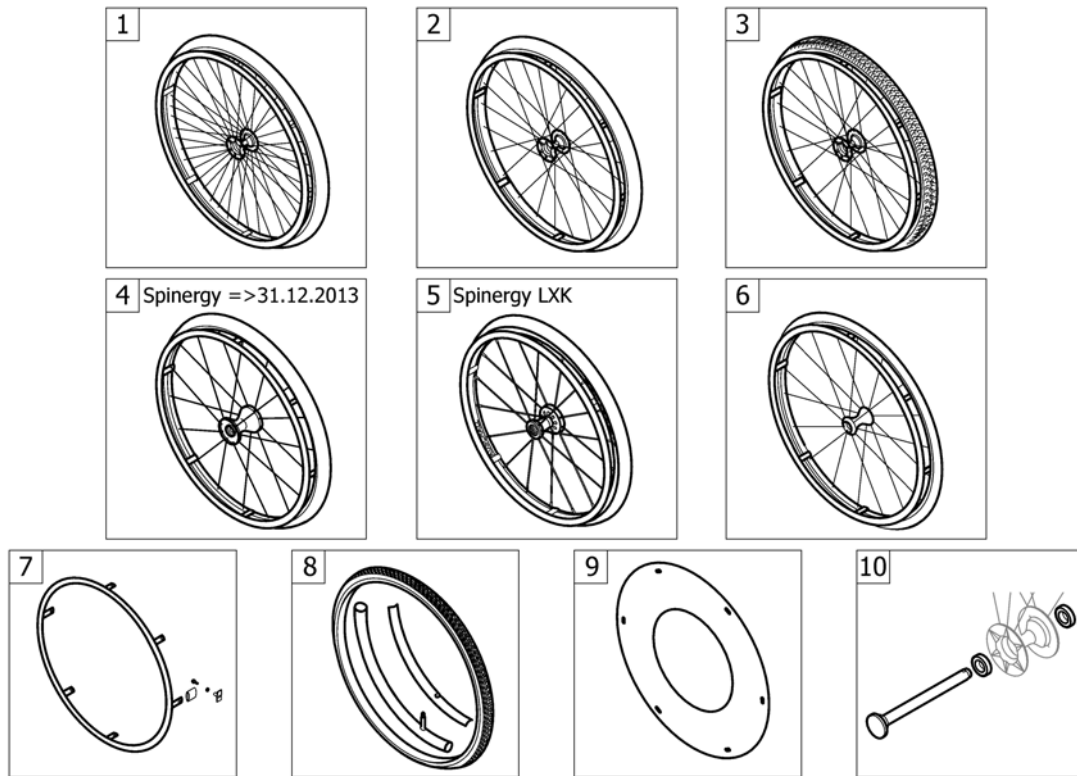
Pos.	Part number	Description	Valid from → until	Qty
1	1513180	3" Sports wheel, transparent <i>Replaces 732.1026</i>		2
2	1561139	4" Comfort wheel, black	2012-07-01 →	2
3	1513183-0408	4" Starec wheel, glossy black <i>Replaces 1420968-0408</i>		2
3	1513183-0001	4" Starec wheel, chrome	2011-07-01 →	2
3	1513183-0182	4" Starec wheel, champagne	2013-01-01 →	2
3	1513183-0183	4" Starec wheel, olive	2013-01-01 →	2
3	1513183-0400	4" Starec wheel, techno-anthrazit <i>Replaces 1420968-0400</i>		2
3	1513183-0401	4" Starec wheel, lemon  <i>Replaces 1420968-0401</i>	2007-01-01 → 2012-12-31	2
3	1513183-0404	4" Starec wheel, b-blue <i>Replaces 1420968-0404</i>		2
3	1513183-0440	4" Starec wheel, comet red <i>Replaces 1420968-0440</i>		2
3	1513183-0441	4" Starec wheel, arctic blue <i>Replaces 1420968-0441</i>		2
4	1542640	5" Comfort wheel, black <i>Replaces 1513186</i>		2
5	1513187-0408	5" Starec wheel, black <i>Replaces 732.1032.961</i>		2
5	1513187-0001	5" Starec wheel, chrome	2011-07-01 →	2
5	1513187-0182	5" Starec wheel, champagne	2013-01-01 →	2
5	1513187-0183	5" Starec wheel, olive	2013-01-01 →	2
5	1513187-0400	5" Starec wheel, techno-anthrazit <i>Replaces 732.1032.950</i>		2
5	1513187-0401	5" Starec wheel, lemon  <i>Replaces 732.1032.951</i>	2007-01-01 → 2012-12-31	2
5	1513187-0404	5" Starec wheel, b-blue <i>Replaces 732.1032.957</i>		2
5	1513187-0440	5" Starec wheel, comet red <i>Replaces 732.1032-0440</i>		2



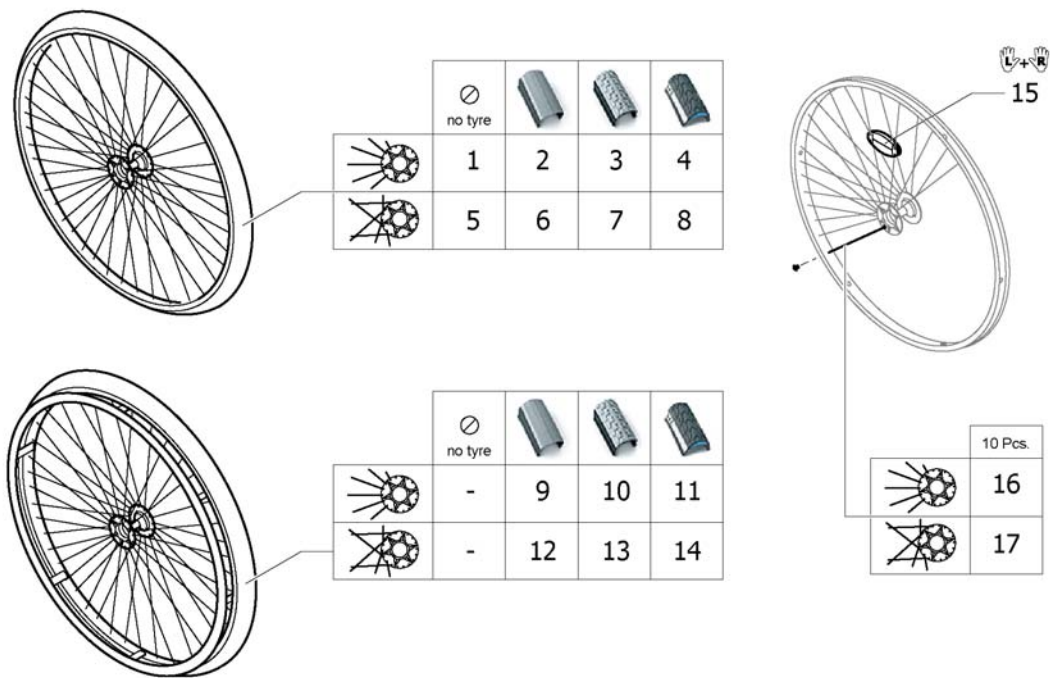
**Front wheels**

Pos.	Part number	Description	Valid from → until	Qty
5	1513187-0441	5" Starec wheel, arctic blue <i>Replaces 732.1032-0441</i>		2
6	1420972	Axle set complete 3" Sport / 4" and 5" Starec / 4" Skater wheel		2
7	1570108	Axle set without spacer		2
8	1570104	Ball bearing 608-2RS 8/22*7, pair		2
9	1570105	Ball bearing 6000-2RS, pair		2

## REAR WHEELS



Pos.	Part number	Description	Valid from → until	Qty
1	-	Küschall Starec wheels		1
2	-	High Performance wheel		1
3	-	Mountain bike wheel		1
4	-	Spinerger wheel	2007-01-01 → 2013-12-31	1
5	-	Spinerger LXX wheel	2014-01-01 →	1
6	-	Ultra-light fibre wheel	2011-07-01 → 2013-12-31	1
7	-	Handrim		1
8	-	Tyre		1
9	-	Spokes guard		1
10	-	Quick release axle and bearing		1



Pos.	Part number	Description	Valid from → until	Qty
1	1567103-0407	Rear wheel 24" Starec R, colourless, without handrim, without tyre <i>Replaces 904.1082</i>	2007-01-01 → 2014-12-31	2
1	1567103-0001	Rear wheel 24" Starec R, chrome, without handrim, without tyre <i>Replaces 904.1082-0001</i>	2011-07-01 → 2014-12-31	2
1	1567103-0182	Rear wheel 24" Starec R, champagne, without handrim, without tyre	2013-01-01 → 2014-12-31	2
1	1567103-0183	Rear wheel 24" Starec R, olive, without handrim, without tyre	2013-01-01 → 2014-12-31	2
1	1567103-0400	Rear wheel 24" Starec R, tecno, without handrim, without tyre <i>Replaces 904.1082.950</i>	2007-01-01 → 2014-12-31	2
1	1567103-0401	Rear wheel 24" Starec R, lemon, without handrim, without tyre <i>Replaces 904.1082.951</i>	2007-01-01 → 2012-12-31	2
1	1567103-0404	Rear wheel 24" Starec R, b-blue, without handrim, without tyre <i>Replaces 904.1082.957</i>	2007-01-01 → 2014-12-31	2
1	1567103-0440	Rear wheel 24" Starec R, comet red, without handrim, without tyre <i>Replaces 904.1082-0440</i>	2007-01-01 → 2014-12-31	2
1	1567103-0441	Rear wheel 24" Starec R, arctic blue, without handrim, without tyre <i>Replaces 904.1082-0441</i>	2007-01-01 → 2014-12-31	2
2	904.1161	Rear wheel 24", Starec hub R, without handrim, light wall	2007-01-01 → 2014-12-31	2
3	904.1160	Rear wheel 24", Starec hub R, without handrim, Tread	2007-01-01 → 2014-12-31	2
4	1554397-0407	Rear wheel 24", Starec R, colourless, without handrim, marathon evolution	2007-01-01 → 2014-12-31	2
4	1554397-0001	Rear wheel 24" Starec R, chrome, without handrim, marathon evolution	2011-07-01 → 2014-12-31	2
4	1554397-0182	Rear wheel 24" Starec R, champagne, without handrim, marathon evolution	2013-01-01 → 2014-12-31	2
4	1554397-0183	Rear wheel 24" Starec R, olive, without handrim, marathon evolution	2013-01-01 → 2014-12-31	2

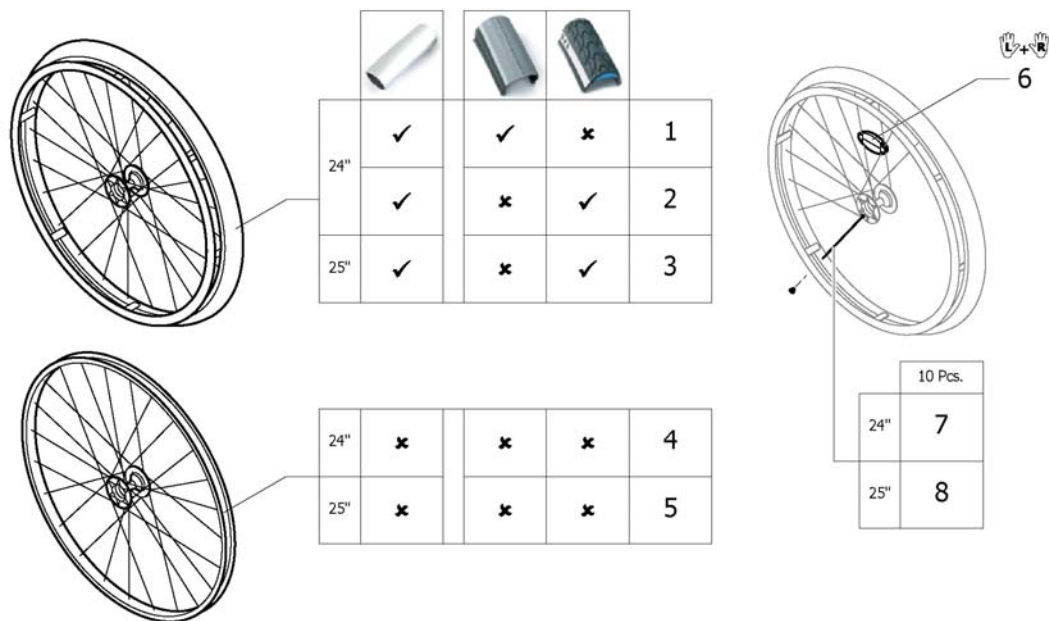
## Küschall Starec wheels

Pos.	Part number	Description	Valid from → until	Qty
4	1554397-0400	Rear wheel 24" Starec R, tecno, without handrim, marathon evolution	2007-01-01 → 2014-12-31	2
4	1554397-0401	Rear wheel 24" Starec R, lemon, without handrim, marathon evolution	2007-01-01 → 2012-12-31	2
4	1554397-0404	Rear wheel 24" Starec R, b-blue, without handrim, marathon evolution	2007-01-01 → 2014-12-31	2
4	1554397-0440	Rear wheel 24" Starec R, comet red, without handrim, marathon evolution	2007-01-01 → 2014-12-31	2
4	1554397-0441	Rear wheel 24" Starec R, arctic blue, without handrim, marathon evolution	2007-01-01 → 2014-12-31	2
5	1567104-0407	Rear wheel 24", Starec X, colourless, without handrim, without tyre <i>Replaces 1416885</i>		2
5	1567104-0001	Rear wheel 24", Starec X, chrome, without handrim, without tyre <i>Replaces 904.1132-0001</i>	2011-07-01 →	2
5	1567104-0182	Rear wheel 24", Starec X, champagne, without handrim, without tyre	2013-01-01 →	2
5	1567104-0183	Rear wheel 24" Starec X, olive, without handrim, without tyre	2013-01-01 →	2
5	1567104-0400	Rear wheel 24" Starec X, Tecno, without handrim, without tyre <i>Replaces 904.1132.950</i>		2
5	1567104-0401	Rear wheel 24" Starec X, Lemon, without handrim, without tyre <i>Replaces 904.1132.951</i>	2007-01-01 → 2012-12-31	2
5	1567104-0404	Rear wheel 24" Starec X, B-blue, without handrim, without tyre <i>Replaces 904.1132.957</i>		2
5	1567104-0440	Rear wheel 24" Starec X, Comet red, without handrim, without tyre <i>Replaces 904.1132-0440</i>		2
5	1567104-0441	Rear wheel 24" Starec X, arctic blue, without handrim, without tyre <i>Replaces 904.1132-0441</i>		2
6	1570471	Rear wheel 24", Starec hub X, without handrim, light wall tyre		2
7	904.1141	Rear wheel 24", Starec hub X, without handrim, Tread		2
8	1554399-0407	Rear wheel 24", Starec X, colourless, without handrim, marathon		2
8	1554399-0001	Rear wheel 24" Starec X, chrome, without handrim, marathon evolution	2011-07-01 →	2
8	1554399-0182	Rear wheel 24" Starec X, champagne, without handrim, marathon evolution	2013-01-01 →	2
8	1554399-0183	Rear wheel 24" Starec X, olive, without handrim, marathon evolution	2013-01-01 →	2
8	1554399-0400	Rear wheel 24" Starec X, tecno, without handrim, marathon evolution		2
8	1554399-0401	Rear wheel 24" Starec X, lemon, without handrim, marathon evolution	2007-01-01 → 2012-12-31	2
8	1554399-0404	Rear wheel 24" Starec X, b-blue, without handrim, marathon evolution		2
8	1554399-0440	Rear wheel 24" Starec X, comet red, without handrim, marathon evolution		2
8	1554399-0441	Rear wheel 24" Starec X, arctic blue, without handrim, marathon evolution		2
9	904.1152	Rear wheel 24", Starec hub R, handrim, light wall	2007-01-01 → 2014-12-31	2
10	904.1151	Rear wheel 24", Starec hub R, handrim, Tread	2007-01-01 → 2014-12-31	2
11	1554398-0407	Rear wheel 24", Starec R, colourless, handrim, marathon evolution	2007-01-01 → 2014-12-31	2
11	1554398-0001	Rear wheel 24" Starec R, chrome, handrim, marathon evolution	2011-07-01 → 2014-12-31	2
11	1554398-0182	Rear wheel 24" Starec R, champagne, handrim, marathon evolution	2013-01-01 → 2014-12-31	2
11	1554398-0183	Rear wheel 24" Starec R, olive, handrim, marathon evolution	2013-01-01 → 2014-12-31	2
11	1554398-0400	Rear wheel 24" Starec R, tecno, handrim, marathon evolution	2007-01-01 → 2014-12-31	2
11	1554398-0401	Rear wheel 24" Starec R, lemon, handrim, marathon evolution	2007-01-01 → 2012-12-31	2
11	1554398-0404	Rear wheel 24" Starec R, b-blue, handrim, marathon evolution	2007-01-01 → 2014-12-31	2
11	1554398-0440	Rear wheel 24" Starec R, comet red, handrim, marathon evolution	2007-01-01 → 2014-12-31	2
11	1554398-0441	Rear wheel 24" Starec R, arctic blue, handrim, marathon evolution	2007-01-01 → 2014-12-31	2

**Küschall Starec wheels**

Pos.	Part number	Description	Valid from → until	Qty
12	1570472	Rear wheel 24", Starec hub X, handrim, light wall tyre		2
13	904.1125	Rear wheel 24", Starec hub X, handrim, Tread		2
14	1554400-0407	Rear wheel 24", Starec X, colourless, handrim, marathon evolution		2
14	1554400-0001	Rear wheel 24" Starec X, chrome, handrim, marathon evolution	2011-07-01 →	2
14	1554400-0182	Rear wheel 24" Starec X, champagne, handrim, marathon evolution	2013-01-01 →	2
14	1554400-0183	Rear wheel 24" Starec X, olive, handrim, marathon evolution	2013-01-01 →	2
14	1554400-0400	Rear wheel 24" Starec X, tecno, handrim, marathon evolution		2
14	1554400-0401	Rear wheel 24" Starec X, lemon, handrim, marathon evolution	2007-01-01 → 2012-12-31	2
14	1554400-0404	Rear wheel 24" Starec X, b-blue, handrim, marathon evolution		2
14	1554400-0440	Rear wheel 24" Starec X, comet red, handrim, marathon evolution		2
14	1554400-0441	Rear wheel 24" Starec X, arctic blue, handrim, marathon evolution		2
15	1571073	Spokereflection, pair <i>Replaces 220.1033</i>		1
16	1579084	Spokes 238mm complete, kit 10 Pcs.	2007-01-01 → 2014-12-31	1
17	1579086	Spokes 253mm complete, kit 10 Pcs.		1

# High Performance wheel

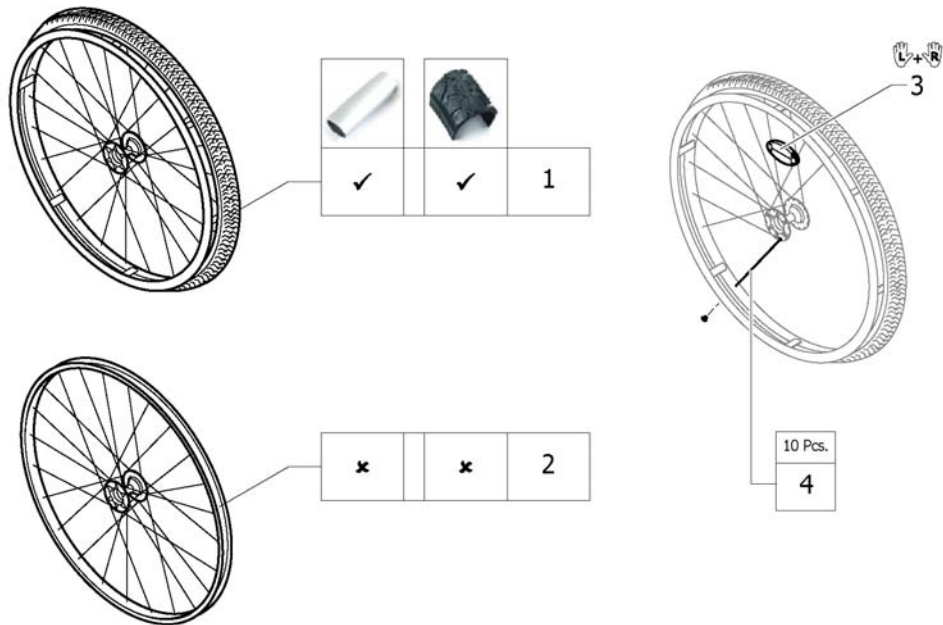


Pos.	Part number	Description	Valid from → until	Qty
1	1420958-0004	Wheel 24", High Performance, black, handrim alu, tyre light	2010-01-01 →	2
1	1420958-0001	Wheel 24", High Performance, chrome, handrim alu, tyre light wall	2011-07-01 →	2
1	1420958-0182	Wheel 24", High Performance, champagne, handrim alu, tyre light	2013-01-01 →	2
1	1420958-0183	Wheel 24", High Performance, olive, handrim alu, tyre light	2013-01-01 →	2
1	1420958-0400	Wheel 24", High Performance, techno-anthracite, handrim alu, tyre light		2
1	1420958-0401	Wheel 24", High Performance, lemon, handrim alu, tyre light wall	2007-01-01 → 2012-12-31	2
1	1420958-0404	Wheel 24", High Performance, b-blue, handrim alu, tyre light wall		2
1	1420958-0440	Wheel 24", High Performance, comet red, handrim alu, tyre light wall		2
1	1420958-0441	Wheel 24", High Performance, arctic blue, handrim alu, tyre light wall		2
2	1527046-0004	Wheel 24", High Performance, black, handrim alu, tyre Marathon Evolution	2010-01-01 →	2
2	1527046-0001	Wheel 24", High Performance, chrome, handrim alu, tyre Marathon Evolution	2011-07-01 →	2
2	1527046-0182	Wheel 24", High Performance, champagne, handrim alu, tyre Marathon Evolution	2013-01-01 →	2
2	1527046-0183	Wheel 24", High Performance, olive, handrim alu, tyre Marathon Evolution	2013-01-01 →	2
2	1527046-0400	Wheel 24", High Performance, techno-anthracite, handrim alu, tyre Marathon Evolution		2
2	1527046-0401	Wheel 24", High Performance, lemon, handrim alu, tyre Marathon Evolution	2007-01-01 → 2012-12-31	2
2	1527046-0404	Wheel 24", High Performance, b-blue, handrim alu, tyre Marathon Evolution		2
2	1527046-0440	Wheel 24", High Performance, comet red, handrim alu, tyre Marathon Evolution		2
2	1527046-0441	Wheel 24", High Performance, arctic blue, handrim alu, tyre Marathon Evolution		2
3	1445479-0004	Wheel 25", High Performance, black, handrim alu, tyre Marathon Evolution	2010-01-01 →	2
3	1445479-0001	Wheel 25", High Performance, chrome, handrim alu, tyre Marathon Evolution	2011-07-01 →	2
3	1445479-0182	Wheel 25", High Performance, champagne, handrim alu, tyre Marathon Evolution	2013-01-01 →	2
3	1445479-0183	Wheel 25", High Performance, olive, handrim alu, tyre Marathon Evolution	2013-01-01 →	2

## High Performance wheel

Pos.	Part number	Description	Valid from → until	Qty
3	1445479-0400	Wheel 25", High Performance, techno-anthracite, handrim alu, tyre Marathon Evolution		2
3	1445479-0401	Wheel 25", High Performance, lemon, handrim alu, tyre Marathon Evolution	2007-01-01 → 2012-12-31	2
3	1445479-0404	Wheel 25", High Performance, b-blue, handrim alu, tyre Marathon Evolution		2
3	1445479-0440	Wheel 25", High Performance, comet red, handrim alu, tyre Marathon Evolution		2
3	1445479-0441	Wheel 25", High Performance, arctic blue, handrim alu, tyre Marathon Evolution		2
4	1517723-0004	Wheel 24", High Performance, black, without handrim, without tyre	2010-01-01 →	2
4	1517723-0001	Wheel 24", High Performance, chrome, without handrim, without tyre	2011-07-01 →	2
4	1517723-0182	Wheel 24", High Performance, champagne, without handrim, without tyre	2013-01-01 →	2
4	1517723-0183	Wheel 24", High Performance, olive, without handrim, without tyre	2013-01-01 →	2
4	1517723-0400	Wheel 24", High Performance, techno-anthracite, without handrim, without tyre		2
4	1517723-0401	Wheel 24", High Performance, lemon, without handrim, without tyre	2007-01-01 → 2012-12-31	2
4	1517723-0404	Wheel 24", High Performance, b-blue, without handrim, without tyre		2
4	1517723-0440	Wheel 24", High Performance, comet red, without handrim, without tyre		2
4	1517723-0441	Wheel 24", High Performance, arctic blue, without handrim, without tyre		2
5	1562937-0004	Wheel 25", High Performance, black, without handrim, without tyre	2010-01-01 →	2
5	1562937-0001	Wheel 25", High Performance, chrome, without handrim, without tyre	2011-07-01 →	2
5	1562937-0182	Wheel 25", High Performance, champagne, without handrim, without tyre	2013-01-01 →	2
5	1562937-0183	Wheel 25", High Performance, olive, without handrim, without tyre	2013-01-01 →	2
5	1562937-0400	Wheel 25", High Performance, techno-anthrac., without handrim, without tyre		2
5	1562937-0401	Wheel 25", High Performance, lemon, without handrim, without tyre	2007-01-01 → 2012-12-31	2
5	1562937-0404	Wheel 25", High Performance, b-blue, without handrim, without tyre		2
5	1562937-0440	Wheel 25", High Performance, comet red, without handrim, without tyre		2
5	1562937-0441	Wheel 25", High Performance, arctic blue, without handrim, without tyre		2
6	1571073	Spokereflection, pair <i>Replaces 220.1033</i>		1
7	1578867	Spokes kit for High Performance wheel 24", 10 Pcs.		1
8	1578868	Spokes kit for High Performance wheel 25", 10 Pcs.		1

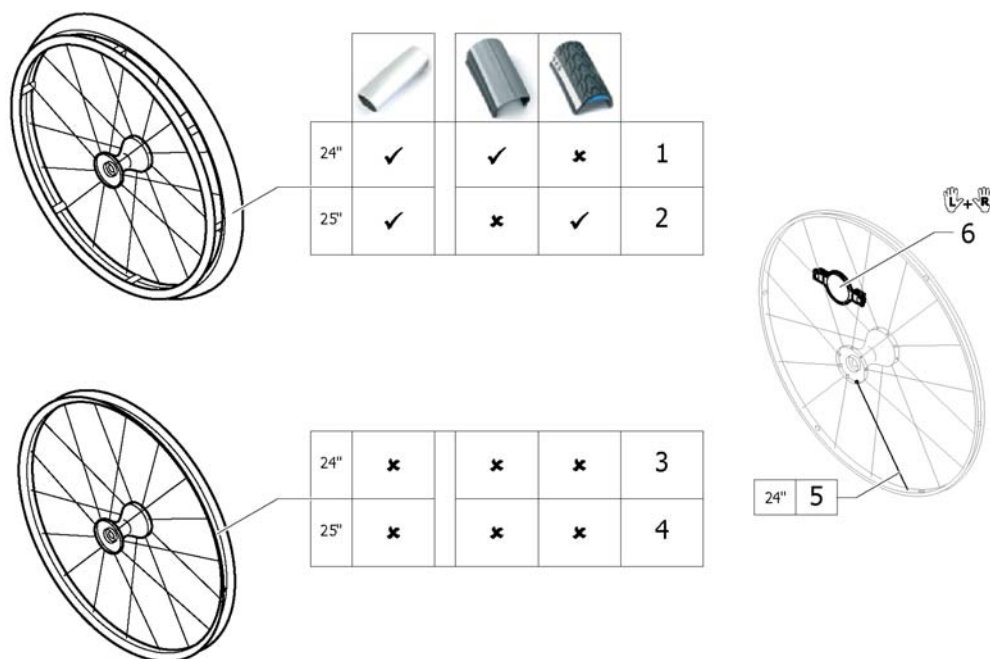
# Mountain bike wheel



Pos.	Part number	Description	Valid from → until	Qty
1	1517875	Rear wheel 24", Mountain Bike, handrim alu, tyre MTB <i>Replaces 1420959</i>		2
2	1529327	Rear wheel Mountain Bike 24", without handrim, without tyre <i>Replaces 1439420</i>		2
3	1571073	Spokereflection, pair <i>Replaces 220.1033</i>		1
4	1579085	Spokes kit for Mountain Bike wheel, 10 Pcs.		1

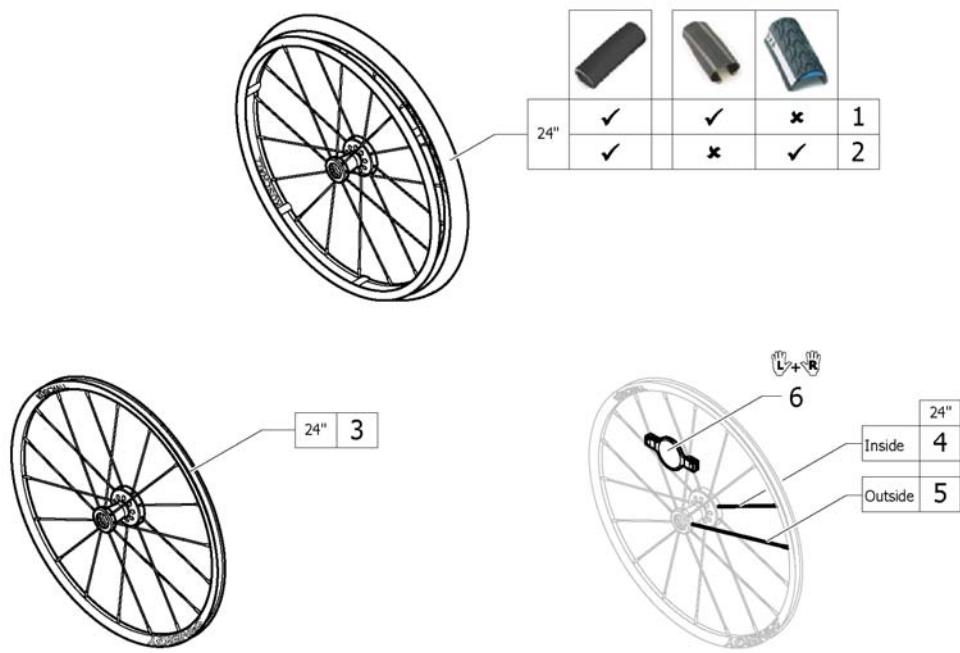


# Spinergy wheel

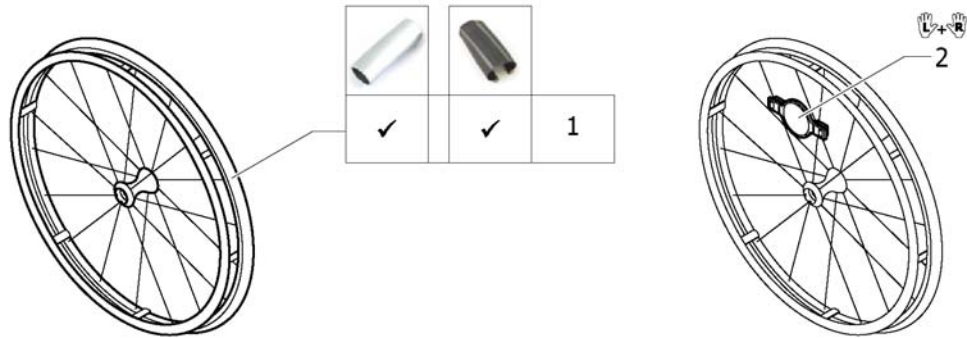


Pos.	Part number	Description	Valid from → until	Qty
1	1485805	Rear wheel 24", Spinergy, handrim Alu, tyre light wall	2007-01-01 → 2013-12-31	2
2	1525127	Rear wheel 25", Spinergy, handrim Alu, tyre Marathon Evolution	2009-01-01 → 2013-12-31	2
3	1570426	Rear wheel 24", Spinergy, without handrim, without tyre	2007-01-01 → 2013-12-31	2
4	1525128	Rear wheel 25", Spinergy, without handrim, without tyre	2009-01-01 → 2013-12-31	2
5	1579092	Spoke for Spinergy wheel 24", 1 Pcs.	2007-01-01 → 2013-12-31	36
6	1571088	Spoke reflection for Spinergy wheel, pair <i>Replaces 1451931</i>	2007-01-01 → 2013-12-31	1

# Spinergy LXX wheel



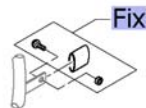
Pos.	Part number	Description	Valid from → until	Qty
1	1579101	Rear wheel 24", Spinergy LXX, handrim aluminium black, tyre Schwalbe One		2
2	1579105	Rear wheel 24", Spinergy LXX, handrim aluminium black, tyre Marathon Evolution		2
3	1579102	Rear wheel 24", Spinergy LXX, without handrim, without tyre		2
4	1579103	Spoke inside for Spinergy LXX wheel 24", 236mm., 1 Pcs.		9
5	1579104	Spoke outside for Spinergy LXX wheel 24", 249mm., 1 Pcs.		9
6	1571088	Spoke reflection for Spinergy wheel, pair		1



Pos.	Part number	Description	Valid from → until	Qty
1	1578804	Ultra-light fibre wheel with tyre Schwalbe One <i>Replaces 1547628</i>	2013-11-20 → 2013-12-31	2
2	1571088	Spoke reflection for Spinergy wheel, pair <i>Replaces 1451931</i>		1

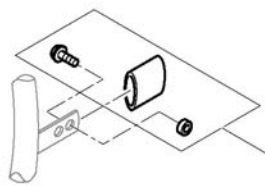
# Handrim

		3cm		4cm		22"		24"		25"		24"		24"		22"		24"		24"		25"	
		3cm	4cm	22"	24"	25"	22"	24"	25"	24"	24"	22"	24"	24"	22"	24"	24"	25"					
Küschall wheel	3cm	-	3	5	7	8	9	10	12	-	15	16	17										
	4cm	-	4	6	-	-	-	11	13	-	15	16	17										
High Performance	3cm	-	3	5	-	8	9	10	12	-	15	16	17										
	4cm	-	4	6	-	-	-	11	13	-	15	16	17										
Mountainbike	3cm	1	-	-	7	-	-	-	-	14	-	-	-										
	4cm	2	-	-	-	-	-	-	-	-	-	-	-										
Spinergy	3cm	-	3	5	-	8	9	10	12	-	15	16	17										
	4cm	-	4	6	-	-	-	11	13	-	15	16	17										
Spinergy LXX	3cm	-	3	-	-	8	-	10	12	-	15	16	-										
	4cm	-	4	-	-	-	-	11	13	-	15	16	-										
Ultra Light Fibre	3cm	-	3	-	-	8	-	10	12	-	15	16	-										
	4cm	-	4	-	-	-	-	11	13	-	15	16	-										



Pos.	Part number	Description	Valid from → until	Qty
Fix	-	Fixation handrim		1
1	1568713-0005	Handrim 22" Aluminium, distance 3cm		2
2	1568700	Handrim 22" Alu, 4cm <i>Replaces 457.1023</i>		2
3	1568714-0005	Handrim 24" Aluminium, distance 3cm	2013-07-01 →	2
4	1568702	Handrim 24" Alu light, colourless anodized, 4cm <i>Replaces 1432287-0005</i>		2
5	1568730-0005	Handrim 25" Aluminium, distance 3cm	2013-07-01 →	2
6	1568708	Handrim 25" Alu light for high performance, 4cm <i>Replaces 1420890-0005</i>		2
7	1568713-0411	Handrim 22" Aluminium, black, distance 3cm		2
8	1568714-0411	Handrim 24" Aluminium, black, distance 3cm	2013-07-01 →	2
9	1568730-0411	Handrim 25" Aluminium, black, distance 3cm	2013-07-01 →	2
10	1568716	Handrim 24" Titanium, distance 3cm	2013-07-01 →	2
11	1568705	Handrim 24" Titanium, 4cm <i>Replaces 457.1051</i>		2
12	1568715	Handrim 24" steel polished, distance 3cm	2013-07-01 →	2
13	1568704	Handrim 24" steel polished, 4cm <i>Replaces 457.1009</i>		2
14	1568701	Handrim 22" Super-Grip <i>Replaces 457.1045.429</i>		2
15	1568703	Handrim 24" Super-Grip <i>Replaces 457.1017.429</i>		2
16	1556916	Handrim 24" LT Surge	2012-01-01 →	2
17	1556917	Handrim 25" LT Surge	2012-01-01 →	2












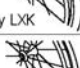

# Fixation handrim

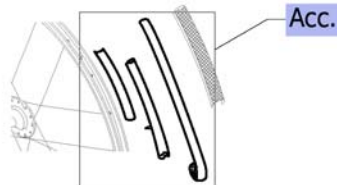


		Aluminium		Titanium		Steel		Supergrip		Surge	
	3cm	1	1	1	1	1	1	1	1	3	3
	4cm	2	3	-	-	2	3	2	3	2	3
	3cm	4	4	4	4	4	4	4	4	6	4
	4cm	5	6	-	-	5	6	5	6	-	-
	3cm	7	7	7	7	-	-	-	-	7	7
	4cm	8	9	-	-	-	-	-	-	8	9
	3cm	7	-	7	-	7	-	7	-	9	-
	4cm	8	-	-	-	8	-	8	-	-	-
	3cm	4	-	4	-	4	-	4	-	6	-
	4cm	5	-	-	-	5	-	5	-	-	-
	3cm	4	-	4	-	4	-	4	-	6	-
	4cm	5	-	-	-	5	-	5	-	-	-

Pos.	Part number	Description	Valid from → until	Qty
1	1495958	Fixation kit handrim, 3 cm		2
2	1495959	Fixation kit handrim, 4 cm		2
3	1495961	Fixation kit handrim, 4 cm with spokes guard		2
4	1496019	Fixation kit handrim for High Performance wheel, 3 cm		2
5	1496020	Fixation kit handrim for High Performance wheel, 4 cm		2
6	1497111	Fixation kit handrim for High Performance wheel, 4 cm with spokes guard		2
7	1496015	Fixation kit handrim for Mountain bike wheel, 3 cm		2
8	1496016	Fixation kit handrim for Mountain bike wheel, 4 cm		2
9	1496018	Fixation kit handrim for Mountain bike wheel, 4 cm with spokes guard		2















# Tyre

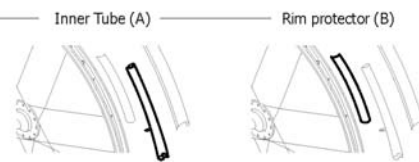
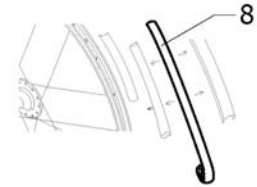
								
	24"	24"	24" 25"	24" 25"	24"	24"	24"	
 Küschall Räder	1	2	3	-	4	-	6	7
 High Performance	1	2	3	8	4	9	-	-
 Mountainbike	-	-	-	-	-	-	5	-
 Spinerger	1	2	3	8	4	9	-	-
 Spinerger LXX	1	2	3	8	4	9	-	-
 Ultra Light Fibre	1	2	3	8	4	9	-	6



Pos.	Part number	Description	Valid from → until	Qty
Acc.	-	Inner tube and rim protector		1
1	1570828	Tyre Light wall 24" <i>Replaces 1424749</i>		2
2	1570829	Treaded Tyre 24" <i>Replaces 728.1002</i>		2
3	1570838	Tyre 24" Marathon Evolution <i>Replaces 1438521</i>		2
4	1578802	Tyre 24" Schwalbe One <i>Replaces 1528649</i>	2013-11-20 →	2
5	1570830	Tyre Mountain bike, 24" <i>Replaces 1420887</i>		2
6	1570831	Solid tyre 24", profile <i>Replaces 728.1029</i>		2
7	1570840	KIK-Type 24", black, fail-safe <i>Replaces 728.1015</i>		2
8	1570841	Tyre 25" Marathon Evolution <i>Replaces 1493769</i>		2
9	1578803	Tyre 25" Schwalbe One <i>Replaces 1528650</i>	2013-11-20 →	2

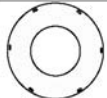









# Inner tube and rim protector

									
		24"	24"	24" 25"	24" 25"	24" 25"	24"	24"	24"
	A	1	1	1	-	1	-	-	-
	B	6	6	6	-	6	-	-	6
	A	1	1	1	4	1	4	-	-
	B	7	7	7	7	7	7	-	-
	A	-	-	-	-	-	-	3	-
	B	-	-	-	-	-	-	5	-
	A	1	1	1	4	1	4	-	-
	B	7	7	7	7	7	7	-	7
	A	1	1	1	-	1	-	-	-
	B	7	7	7	-	7	-	-	-
	A	-	-	-	-	2	-	-	-
	B	-	-	-	-	7	-	-	-



Pos.	Part number	Description	Valid from → until	Qty
1	1570849	Inner Tube 24" x 1" <i>Replaces 727.1002</i>		2
2	1550284	Inner Tube 24" for Ultra-light fibre wheel	2007-01-01 → 2013-12-31	2
3	1570852	Inner tube for Mountain bike <i>Replaces 1420884</i>		2
4	1570851	Inner tube 26" for High-Performance wheel <i>Replaces 1430886</i>		2
5	1570844	Rim protection 22" <i>Replaces 726.1005</i>		2
6	1570845	Rim protection 24" Large <i>Replaces 726.1008.000</i>		2
7	1495962	Rim Protection for High Performance / Spinergy wheel		2
8	1571072	Rear wheel inset anti-flat for 20,22,24,26" tyre <i>Replaces 1424917</i>		2

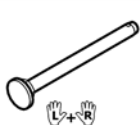
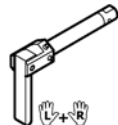







# Spokes guard

					
	22"	24"	24"	24"	
 Küschall wheel	1	2	3	4	5
 High Performance	-	2	3	4	5
 Mountainbike	1	-	-	-	-
 Spinergy	-	2	3	4	5
 Spinergy LxK	-	-	-	-	-
 Ultra Light Fibre	-	-	-	-	-

Pos.	Part number	Description	Valid from → until	Qty
1	1564453	Spokes guard Transparent 22" <i>Replaces 736.1005</i>		2
2	1564457	Spokes guard Transparent 24" <i>Replaces 736.1004</i>		2
3	1564456	Spokes guard Küschall, black 24" <i>Replaces 736.1002</i>		2
4	1564459	Spokes guard Carbon 24" <i>Replaces 736.1014</i>	2007-01-01 → 2013-12-31	2
5	1564461	Spokes guard R33 24" <i>Replaces 1497107</i>		2

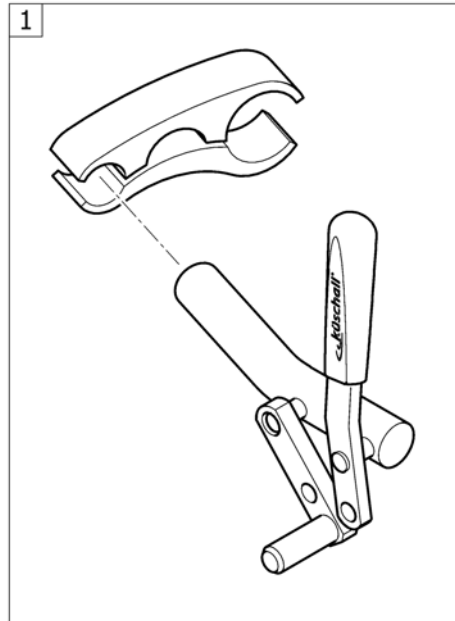


## Quick release axle and bearing

			
 Küschall wheel	1	2	6
 High Performance	1	2	6
 Mountainbike	1	2	6
 Spinergy	3	4	6
 Spinergy LXX	3	4	6
 Ultra Light Fibre	5	4	6

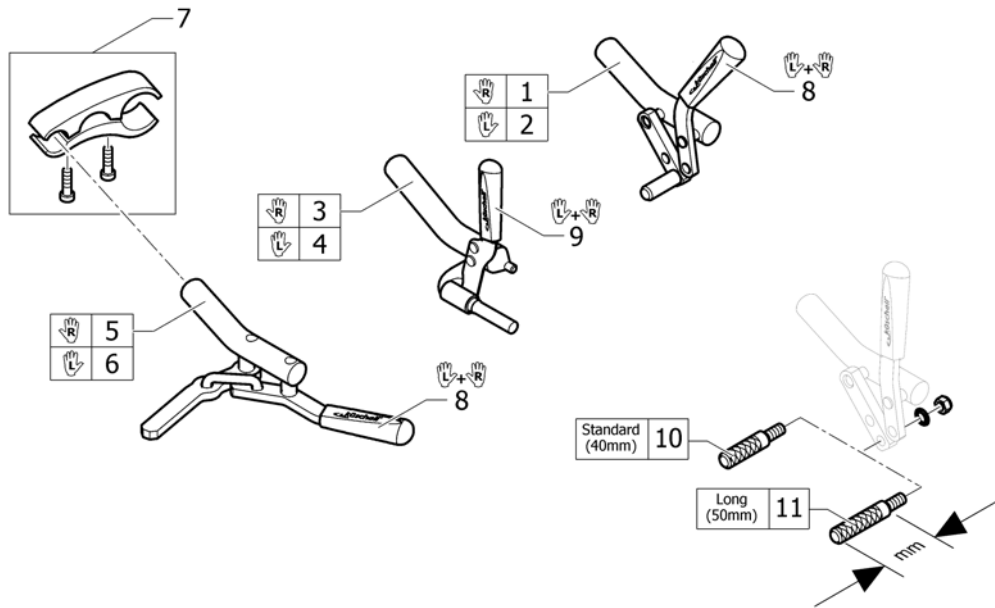
Pos.	Part number	Description	Valid from → until	Qty
1	1509137-0001	Quick release axles long with cap, pair, chrome	2011-07-01 →	1
1	1509137-0004	Quick release axles long with cap, pair, black		1
1	1509137-0182	Quick release axles long with cap, pair, champagne	2013-01-01 →	1
1	1509137-0183	Quick release axles long with cap, pair, olive	2013-01-01 →	1
1	1509137-0400	Quick release axles long with cap, pair, tecno anthracite		1
1	1509137-0401	Quick release axles long with cap, pair, lemon	2007-01-01 → 2012-12-31	1
1	1509137-0404	Quick release axles long with cap, pair, b-blue		1
1	1509137-0407	Quick release axles long with cap, pair, colourless		1
1	1509137-0440	Quick release axles long with cap, pair, comet red		1
1	1509137-0441	Quick release axles long with cap, pair, arctic blue		1
2	1493755	Tetra clip with quick release axle, pair, long		1
3	1507627	Quickrelease axle long with cap for Spinergy wheel, pair		1
4	1512029	Tetra clip with quick release axle, long, for Spinergy wheel, pair		1
5	1547629	Quick release axles long with cap, pair, polished	2011-07-01 →	1
6	1571069	Bearing R8-2RS 1/2"/1.1/8"x5/16", pair <i>Replaces 5719103</i>		2

# BRAKES



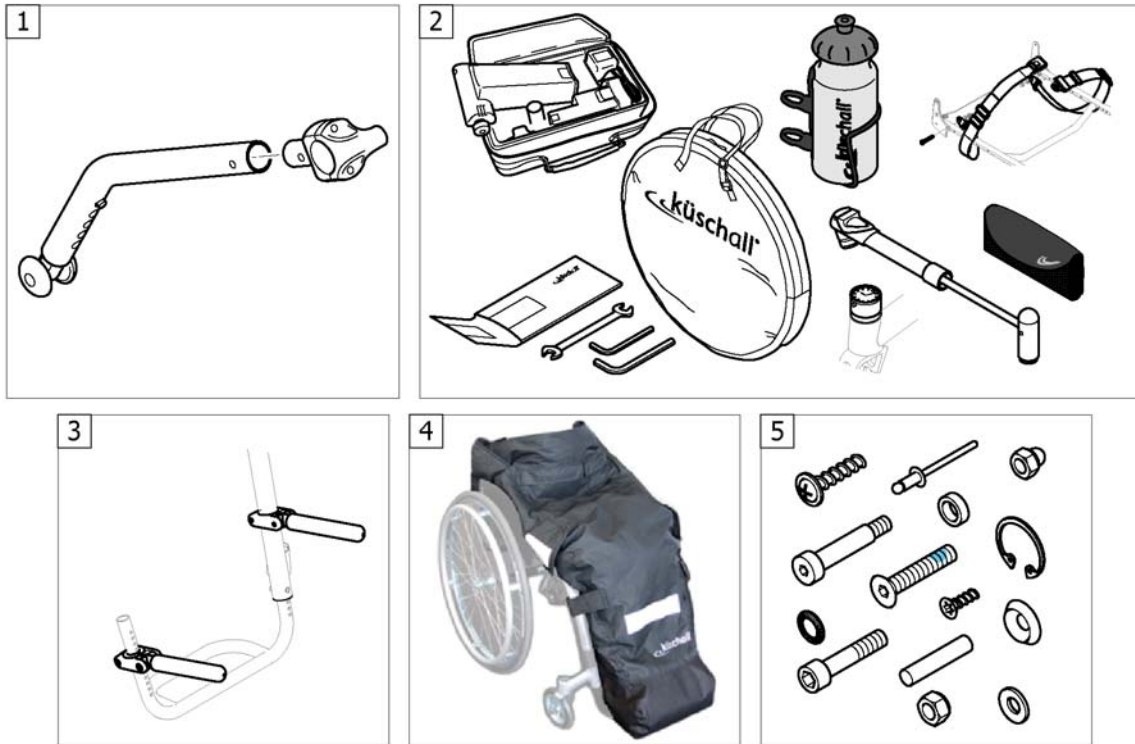
Pos.	Part number	Description	Valid from → until	Qty
1	-	Brakes		1

# Brakes



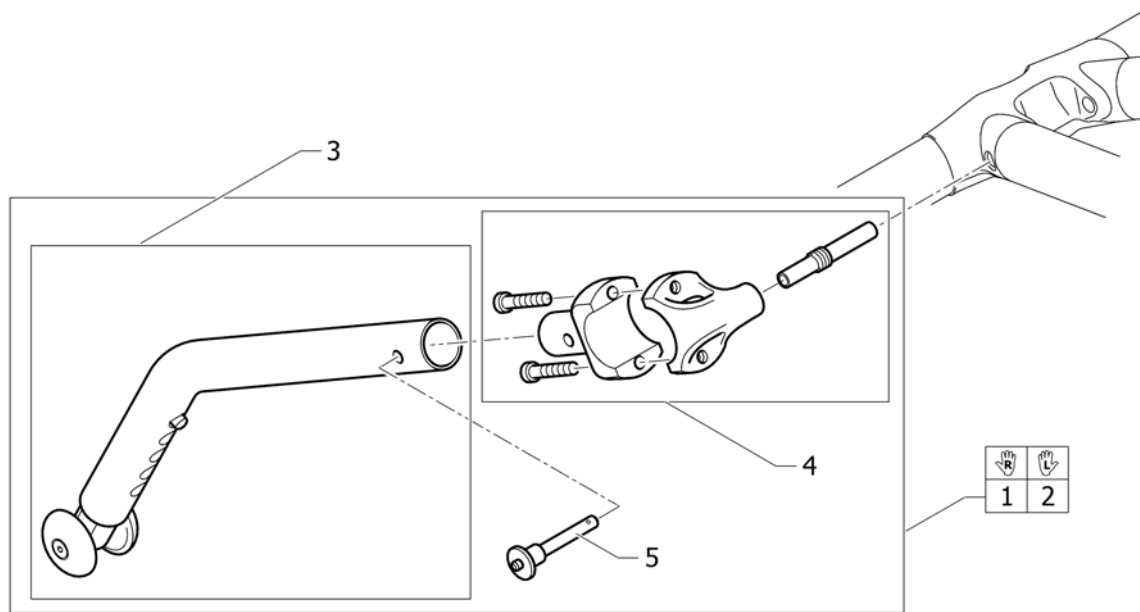
Pos.	Part number	Description	Valid from → until	Qty
1	1495431	Brake, bent lever, right		1
2	1495430	Brake, bent lever, left		1
3	1495433	Performance brake right	2007-01-01 → 2015-06-30	1
4	1495432	Performance brake left	2007-01-01 → 2015-06-30	1
5	1495435	Active brake right		1
6	1495434	Active brake left		1
7	1505568	brake clamping piece complete		2
8	1513177	Brake handle standard, pair <i>Replaces 1432056</i>		1
9	1513178	Brake handle for performance brake, pair <i>Replaces 1432055</i>		1
10	1579328	Brake shoe standard (40mm), kit 4 Pcs. <i>Replaces 500.1045 (4x)</i>		1
11	1579329	Brake shoe long (50mm), kit 4 Pcs. <i>Replaces 500.1013 (4x)</i>		1

# OPTIONS & ACCESSORIES



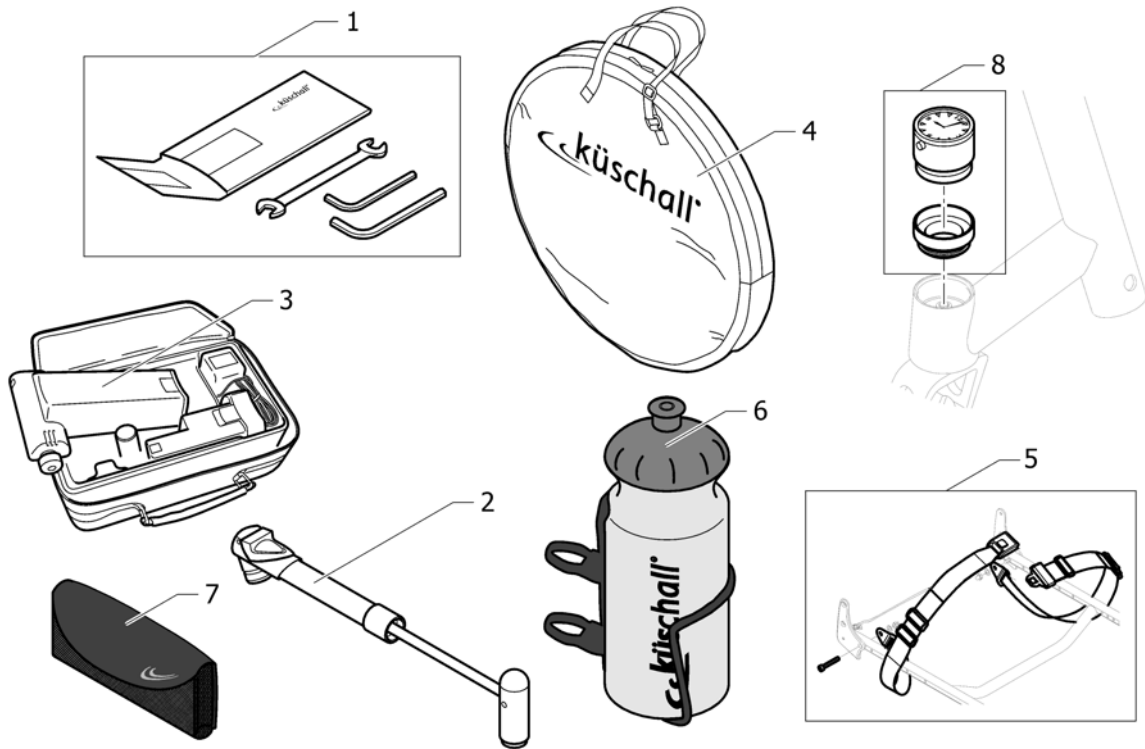
Pos.	Part number	Description	Valid from → until	Qty
1	-	Antitipper		1
2	-	Chair accessories		1
3	-	Luggage holder		1
4	-	Winter accessories		1
5	-	Fixation: screws, ...		1

# Antitipper

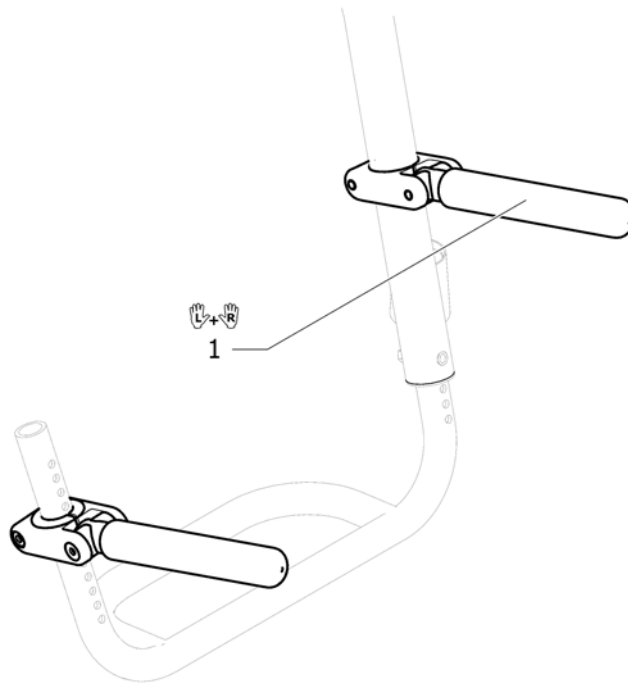


Pos.	Part number	Description	Valid from → until	Qty
1	1505565	Antitipper right complete		1
2	1505566	Antitipper left complete		1
3	1495443	Antitipper R33		1
4	1505567	Fixation kit antitipper		1
5	1517877	Quickpin fixture <i>Replaces 907.1125</i>		1

## Chair accessories



Pos.	Part number	Description	Valid from → until	Qty
1	1518285	Tool Kit <i>Replaces 800.1013</i>		1
2	1517924	Air pump <i>Replaces 801.1004</i>		1
3	1518286	Air man <i>Replaces 801.1006.000</i>		1
4	1518287	Wheel bag 24" - 26" <i>Replaces 1420922</i>		1
5	1567136	Seat belt	2013-01-01 →	1
6	1547625	Bottle holder		1
7	1547622	Mobil phone holder		1
8	1589117	Küschall watch mounted on bearing block, kit	2015-08-05 →	1

**Luggage holder**

Pos.	Part number	Description	Valid from → until	Qty
1	1547626	Luggage holder complete, pair		1

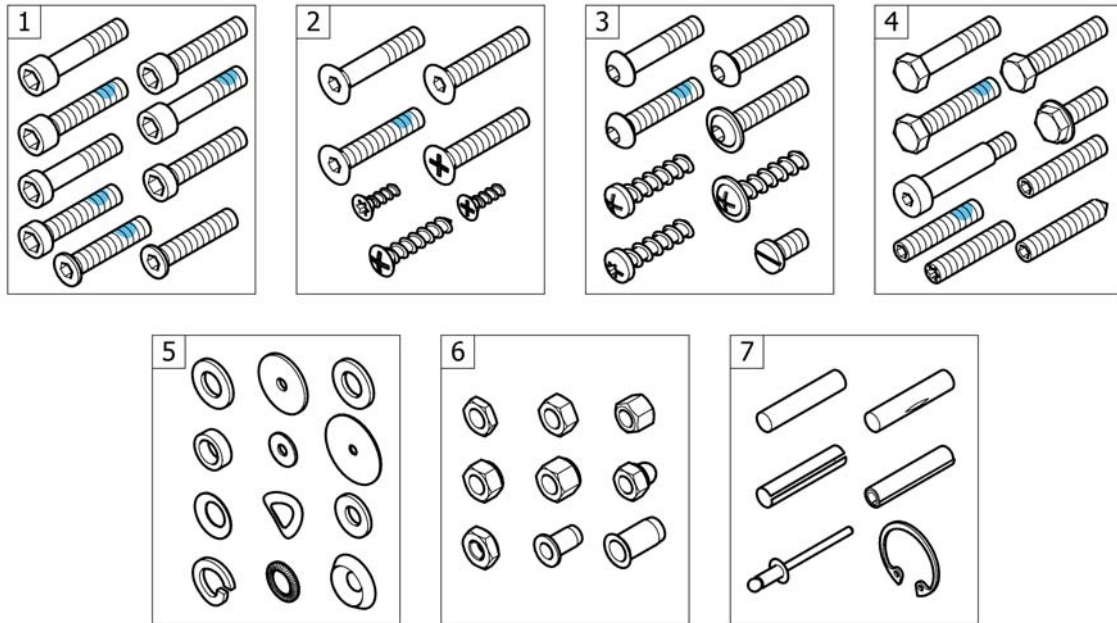
## Winter accessories



Pos.	Part number	Description	Valid from → until	Qty
1	1532009	Feet bag for body height >1,60m	2010-01-01 → 2011-06-30	1

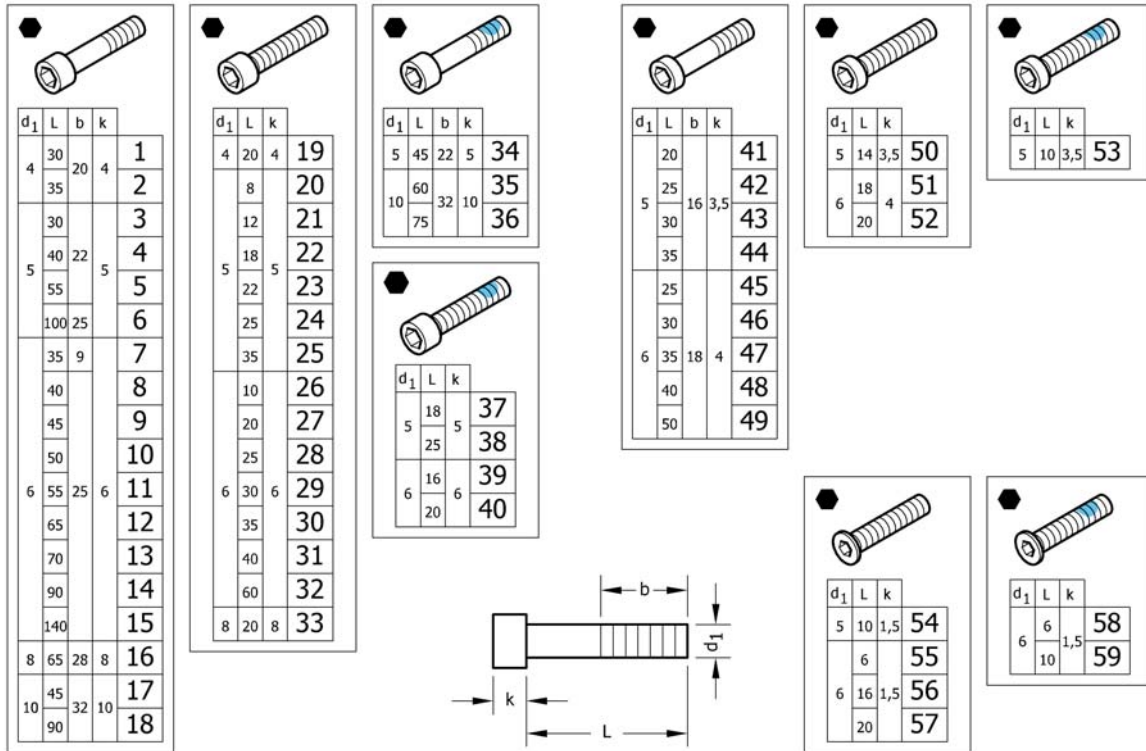


## Fixation: screws, ...



Pos.	Part number	Description	Valid from → until	Qty
1	-	Socket head cap screws		1
2	-	Countersunk screws		1
3	-	Button head screws		1
4	-	Hex-head screws, diverse, ...		1
5	-	Washers		1
6	-	Nuts		1
7	-	Pins, rivets, ...		1

# Socket head cap screws



Pos.	Part number	Description	Valid from → until	Qty
1	1579115	Hex socket head cap screws partially threaded, zi.Blue, M4x30, kit 25 <i>Replaces 1560191 (25x)</i>		1
2	1579116	Hex socket head cap screws partially threaded, zi.Blue, M4x35, kit 25 <i>Replaces 1563765 (25x)</i>		1
3	1579117	Hex socket head cap screws partially threaded, black, M5x30, kit 25 Pcs. <i>Replaces 100.1091 (25x)</i>		1
4	1579118	Hex socket head cap screws partially threaded, black, M5x40, kit 25 Pcs. <i>Replaces 100.1093 (25x)</i>		1
5	1579119	Hex socket head cap screws partially threaded, black, M5x55, kit 25 Pcs. <i>Replaces 100.1096 (25x)</i>		1
6	1579120	Hex socket head cap screws partially threaded, black, M5x100, kit 10 Pcs. <i>Replaces 1425240 (10x)</i>		1
7	1579121	Hex socket head cap screws partially threaded, black, M6x35, kit 5 Pcs. <i>Replaces 107.1001 (5x)</i>		1
8	1579122	Hex socket head cap screws partially threaded, black, M6x40, kit 25 Pcs. <i>Replaces 100.1133 (25x)</i>		1
9	1579123	Hex socket head cap screws partially threaded, black, M6x45, kit 25 Pcs. <i>Replaces 100.1134 (25x)</i>		1
10	1579124	Hex socket head cap screws partially threaded, black, M6x50, kit 25 Pcs. <i>Replaces 100.1135 (25x)</i>		1
11	1579125	Hex socket head cap screws partially threaded, black, M6x55, kit 25 Pcs. <i>Replaces 100.1136 (25x)</i>		1
11	1579126	Hex socket head cap screws partially threaded, zi.Blue, M6x55, kit 25 <i>Replaces ZM006551A (25x)</i>		1
12	1579127	Hex socket head cap screws partially threaded, black, M6x65, kit 10 Pcs. <i>Replaces 100.1138 (10x)</i>		1
13	1579128	Hex socket head cap screws partially threaded, black, M6x70, kit 10 Pcs. <i>Replaces 100.1139 (10x)</i>		1
14	1579129	Hex socket head cap screws partially threaded, black, M6x90, kit 10 Pcs. <i>Replaces 1529118 (10x)</i>		1
15	1579130	Hex socket head cap screws partially threaded, black, M6x140, kit 10 Pcs. <i>Replaces 1529117 (10x)</i>		1
16	1579131	Hex socket head cap screws partially threaded, black, M8x65, kit 10 Pcs. <i>Replaces 1510316 (10x)</i>		1
17	1579132	Hex socket head cap screws partially threaded, black, M10x45, kit 2 Pcs. <i>Replaces 1496010 (2x)</i>		1

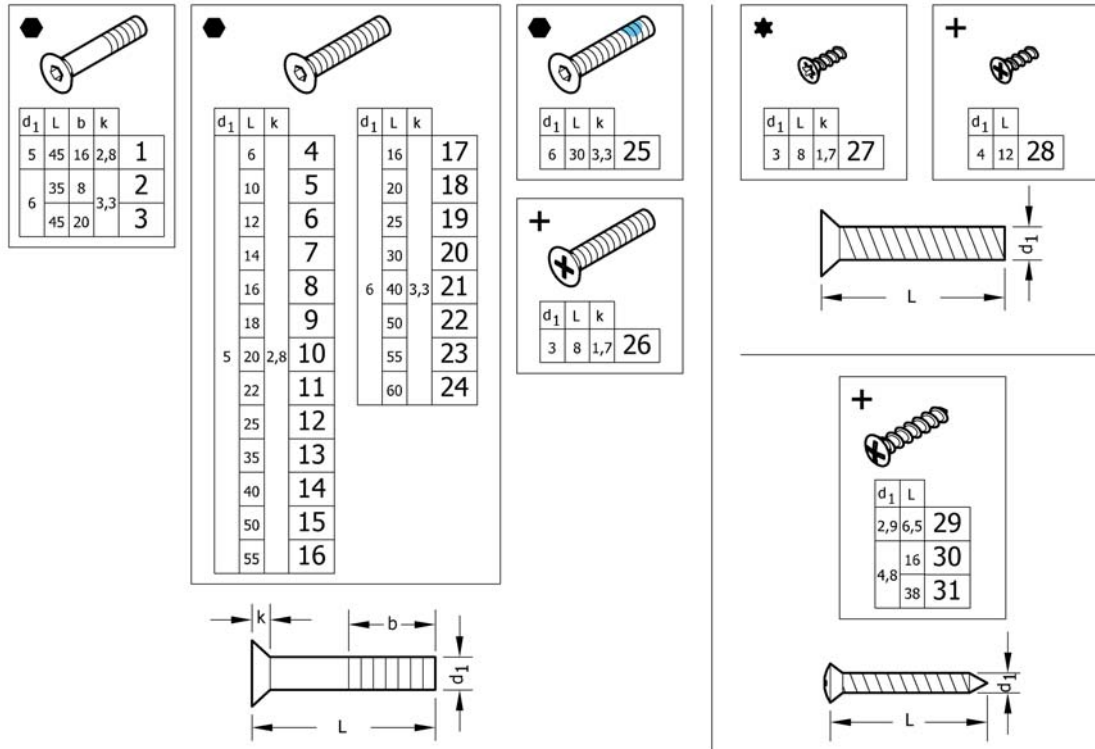
## Socket head cap screws

Pos.	Part number	Description	Valid from → until	Qty
18	1579133	Hex socket head cap screws partially threaded, black, M10x90, kit 2 Pcs. <i>Replaces 1496013 (2x)</i>		1
19	1579134	Hex socket head cap screws fully threaded, black, M4x20, kit 25 Pcs. <i>Replaces 100.1050 (25x)</i>		1
20	1579135	Hex socket head cap screws fully threaded, black, M5x8, kit 5 Pcs. <i>Replaces 1493753 (5x)</i>		1
21	1579136	Hex socket head cap screws fully threaded, black, M5x12, kit 25 Pcs. <i>Replaces 100.1084 (25x)</i>		1
22	1579137	Hex socket head cap screws fully threaded, black, M5x18, kit 25 Pcs. <i>Replaces 100.1087 (25x)</i>		1
23	1579138	Hex socket head cap screws fully threaded, black, M5x22, kit 25 Pcs. <i>Replaces 100.1089 (25x)</i>		1
24	1579139	Hex socket head cap screws fully threaded, black, M5x25, kit 25 Pcs. <i>Replaces 100.1090 (25x)</i>		1
25	1579140	Hex socket head cap screws fully threaded, black, M5x35, kit 25 Pcs. <i>Replaces 100.1092 (25x)</i>		1
26	1579141	Hex socket head cap screws fully threaded, black, M6x10, kit 25 Pcs. <i>Replaces 100.1123 (25x)</i>		1
27	1579142	Hex socket head cap screws fully threaded, black, M6x20, kit 25 Pcs. <i>Replaces 100.1128 (25x)</i>		1
28	1579143	Hex socket head cap screws fully threaded, black, M6x25, kit 25 Pcs. <i>Replaces 100.1130 (25x)</i>		1
29	1579144	Hex socket head cap screws fully threaded, black, M6x30, kit 25 Pcs. <i>Replaces 100.1131 (25x)</i>		1
30	1579145	Hex socket head cap screws fully threaded, black, M6x35, kit 25 Pcs. <i>Replaces 100.1132 (25x)</i>		1
31	1579146	Hex socket head cap screws fully threaded, black, M6x40, kit 10 Pcs. <i>Replaces 1563349 (10x)</i>		1
32	1579147	Hex socket head cap screws fully threaded, black, M6x60, kit 10 Pcs. <i>Replaces 100.1137 (10x)</i>		1
33	1579148	Hex socket head cap screws fully threaded, black, M8x20, kit 10 Pcs. <i>Replaces 1510307 (10x)</i>		1
34	1579149	Hex sock.Head cap screws partial.Thread., black, TufLok, M5x45, kit 5 Pcs. <i>Replaces 1496014 (5x)</i>		1
35	1579150	Hex sock.Head cap screws partial.Thread., black, TufLok, M10x60, kit 2 Pcs. <i>Replaces 1496011 (2x)</i>		1
36	1579151	Hex sock.Head cap screws partial.Thread., black, TufLok, M10x75, kit 2 Pcs. <i>Replaces 1496012 (2x)</i>		1
37	1579152	Hex socket head cap screws fully threaded, black, TufLok, M5x18, kit 10 Pcs. <i>Replaces 1425241 (10x)</i>		1
38	1579153	Hex socket head cap screws fully threaded, black, TufLok, M5x25, kit 10 Pcs. <i>Replaces 1570153 (10x)</i>		1
39	1579154	Hex socket head cap screws full.Thread., zi.Blue, TufLok, M6x16, kit 10 Pcs. <i>Replaces 1560219 (10x)</i>		1
40	1579155	Hex socket head cap screws fully threaded, black, TufLok, M6x20, kit 10 Pcs. <i>Replaces 1498775 (10x)</i>		1
41	1579156	Hex sock.Head cap screws, low head, part.Thread., black, M5x20, kit 25 Pcs. <i>Replaces 1438501 (25x)</i>		1
42	1579157	Hex sock.Head cap screws, low head, part.Thread., black, M5x25, kit 25 Pcs. <i>Replaces 1438518 (25x)</i>		1
43	1579158	Hex sock.Head cap screws, low head, part.Thread., black, M5x30, kit 25 Pcs. <i>Replaces 100.5090 (25x)</i>		1
44	1579159	Hex sock.Head cap screws, low head, part.Thread., black, M5x35, kit 25 Pcs. <i>Replaces 100.5091 (25x)</i>		1

**Socket head cap screws**

Pos.	Part number	Description	Valid from → until	Qty
45	1579160	Hex sock.Head cap screws, low head, part.Thread., black, M6x25, kit 25 Pcs. <i>Replaces 1432120 (25x)</i>		1
46	1579161	Hex sock.Head cap screws, low head, part.Thread., black, M6x30, kit 25 Pcs. <i>Replaces 100.5130 (25x)</i>		1
47	1579162	Hex sock.Head cap screws, low head, part.Thread., black, M6x35, kit 25 Pcs. <i>Replaces 1438504 (25x)</i>		1
48	1579163	Hex sock.Head cap screws, low head, part.Thread., black, M6x40, kit 25 Pcs. <i>Replaces 100.5132 (25x)</i>		1
49	1579164	Hex sock.Head cap screws, low head, part.Thread., black, M6x50, kit 25 Pcs. <i>Replaces 100.5134 (25x)</i>		1
50	1579165	Hex sock.Head cap screws, low head, part.Thread., black, M5x14, kit 25 Pcs. <i>Replaces 100.5085 (25x)</i>		1
51	1579166	Hex sock.Head cap screws, low head, part.Thread., black, M6x18, kit 25 Pcs. <i>Replaces 100.5126 (25x)</i>		1
52	1579167	Hex sock.Head cap screws, low head, part.Thread., black, M6x20, kit 25 Pcs. <i>Replaces 100.5127 (25x)</i>		1
53	1579168	Hex soc.Head cap scr., low head, part.Threa., bl., TufL., M5x10, kit 10 Pcs. <i>Replaces 1496026 (10x)</i>		1
54	1579169	Hex socket head cap screws, special low head, black, M5x10, kit 25 Pcs. <i>Replaces 1437290 (25x)</i>		1
55	1579170	Hex socket head cap screws, special low head, black, M6x6, kit 25 Pcs. <i>Replaces 1425182 (25x)</i>		1
56	1579171	Hex socket head cap screws, special low head, black, M6x16, kit 25 Pcs. <i>Replaces 1541181 (25x)</i>		1
57	1579172	Hex socket head cap screws, special low head, black, M6x20, kit 25 Pcs. <i>Replaces 107.1022 (25x)</i>		1
58	1579173	Hex socket head cap screws, spec.Low head, black, TufLok, M5x6, kit 10 Pcs. <i>Replaces 1532039 (10x)</i>		1
59	1579174	Hex socket head cap screws, spec.Low head, black, TufLok, M6x10, kit 10 Pcs. <i>Replaces 1420946 (10x)</i>		1

## Countersunk screws

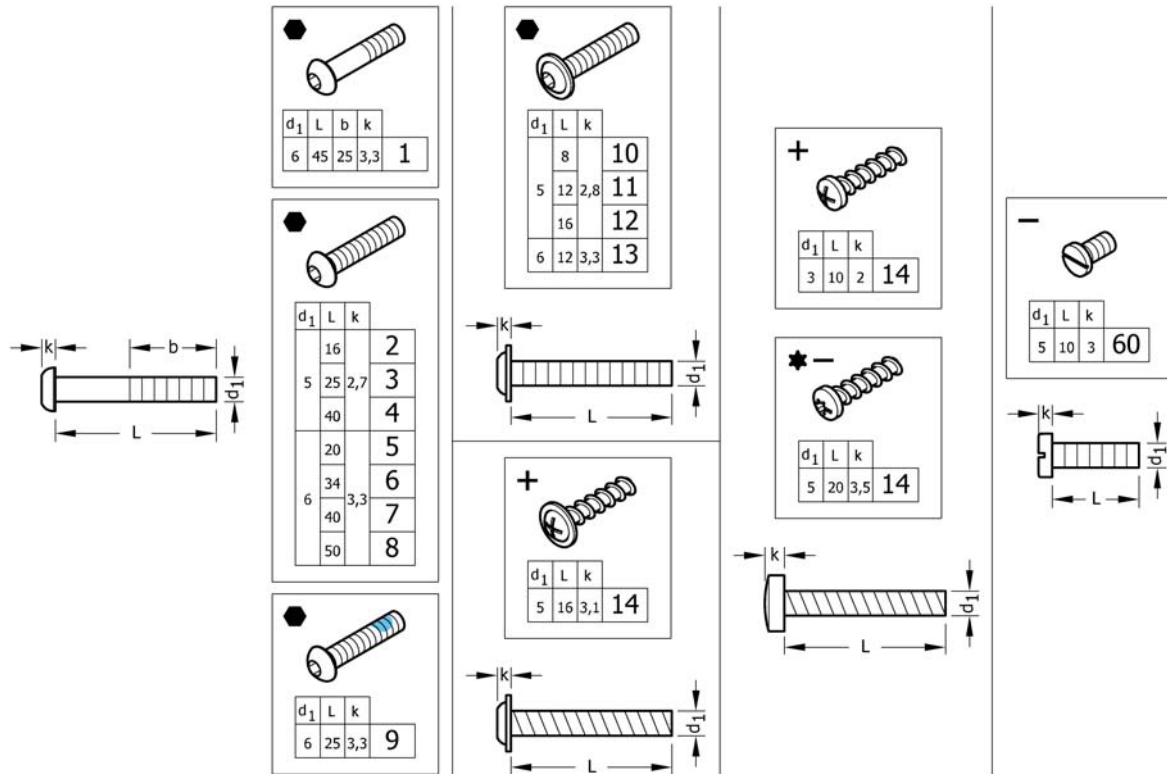


Pos.	Part number	Description	Valid from → until	Qty
1	1579175	Countersunk head screws partially threaded, Black, M5x45, kit 10 Pcs. <i>Replaces 1438773 (10x)</i>		1
2	1579176	Countersunk head screws partially threaded, Black, M6x35, kit 10 Pcs. <i>Replaces 107.1004 (10x)</i>		1
3	1579177	Countersunk head screws partially threaded, Black, M6x45, kit 10 Pcs. <i>Replaces 100.3133 (10x)</i>		1
4	1579178	Countersunk head screws fully threaded, Black, M5x6, kit 25 Pcs. <i>Replaces 1445273 (25x)</i>		1
5	1579179	Countersunk head screws fully threaded, Black, M5x10, kit 25 Pcs. <i>Replaces 100.3082 (25x)</i>		1
6	1579180	Countersunk head screws fully threaded, Black, M5x12, kit 25 Pcs. <i>Replaces 1438999 (25x)</i>		1
7	1579181	Countersunk head screws fully threaded, Black, M5x14, kit 25 Pcs. <i>Replaces 107.1015 (25x)</i>		1
8	1579182	Countersunk head screws fully threaded, Black, M5x16, kit 25 Pcs. <i>Replaces 100.3085 (25x)</i>		1
9	1579183	Countersunk head screws fully threaded, Black, M5x18, kit 25 Pcs. <i>Replaces 100.3086 (25x)</i>		1
10	1579184	Countersunk head screws fully threaded, Black, M5x20, kit 25 Pcs. <i>Replaces 100.3087 (25x)</i>		1
11	1579185	Countersunk head screws fully threaded, Black, M5x22, kit 25 Pcs. <i>Replaces 1416930 (25x)</i>		1
12	1579186	Countersunk head screws fully threaded, Black, M5x25, kit 25 Pcs. <i>Replaces 100.3089 (25x)</i>		1
13	1579187	Countersunk head screws fully threaded, Black, M5x35, kit 25 Pcs. <i>Replaces 100.3091 (25x)</i>		1
14	1579188	Countersunk head screws fully threaded, Black, M5x40, kit 25 Pcs. <i>Replaces 1432148 (25x)</i>		1
15	1579189	Countersunk head screws fully threaded, Black, M5x50, kit 25 Pcs. <i>Replaces 100.3094 (25x)</i>		1
16	1579190	Countersunk head screws fully threaded, Black, M5x55, kit 25 Pcs. <i>Replaces 100.3095 (25x)</i>		1
17	1579191	Countersunk head screws fully threaded, Black, M6x16, kit 25 Pcs. <i>Replaces 100.3125 (25x)</i>		1
18	1579192	Countersunk head screws full.Threaded, zinc flake coat., M6x20, kit 25 Pcs. <i>Replaces 100.3127 (25x)</i>		1

**Countersunk screws**

Pos.	Part number	Description	Valid from → until	Qty
18	1579193	Countersunk head screws fully threaded, Black, M6x20, kit 25 Pcs. <i>Replaces 1437809 (25x)</i>		1
19	1579194	Countersunk head screws fully threaded, Black, M6x25, kit 25 Pcs. <i>Replaces 100.3129 (25x)</i>		1
20	1579195	Countersunk head screws fully threaded, Black, M6x30, kit 25 Pcs. <i>Replaces 100.3130 (25x)</i>		1
21	1579196	Countersunk head screws fully threaded, Black, M6x40, kit 25 Pcs. <i>Replaces 100.3132 (25x)</i>		1
22	1579197	Countersunk head screws fully threaded, Black, M6x50, kit 25 Pcs. <i>Replaces 100.3134 (25x)</i>		1
23	1579198	Countersunk head screws fully threaded, Black, M6x55, kit 25 Pcs. <i>Replaces 100.3135 (25x)</i>		1
24	1579199	Countersunk head screws fully threaded, Black, M6x60, kit 25 Pcs. <i>Replaces 100.3136 (25x)</i>		1
25	1579200	Countersunk head screws fully threaded, Black, TufLok, M6x30, kit 25 Pcs. <i>Replaces 1550479 (25x)</i>		1
26	1579201	Countersunk head screws fully threaded, zi.Blue, M3x8, kit 25 Pcs. <i>Replaces 1529279 (25x)</i>		1
27	1579202	Countersunk head PT screws, Torx, stainless steel, 3x8, kit 25 Pcs. <i>Replaces 1529278 (25x)</i>		1
28	1579203	Countersunk head PT screws, Black, KA40x12, kit 25 Pcs. <i>Replaces 1438513 (25x)</i>		1
29	1579204	Countersunk head tapping screws with cone end, Black, ST2,9x6,5, kit 25 Pcs. <i>Replaces 126.5041 (25x)</i>		1
30	1579205	Countersunk head tapping screws with cone end, Black, ST4,8x16, kit 25 Pcs. <i>Replaces 126.5202 (25x)</i>		1
31	1579206	Countersunk head tapping screws with cone end, Black, ST4,8x38, kit 25 Pcs. <i>Replaces 126.5207 (25x)</i>		1

## Button head screws



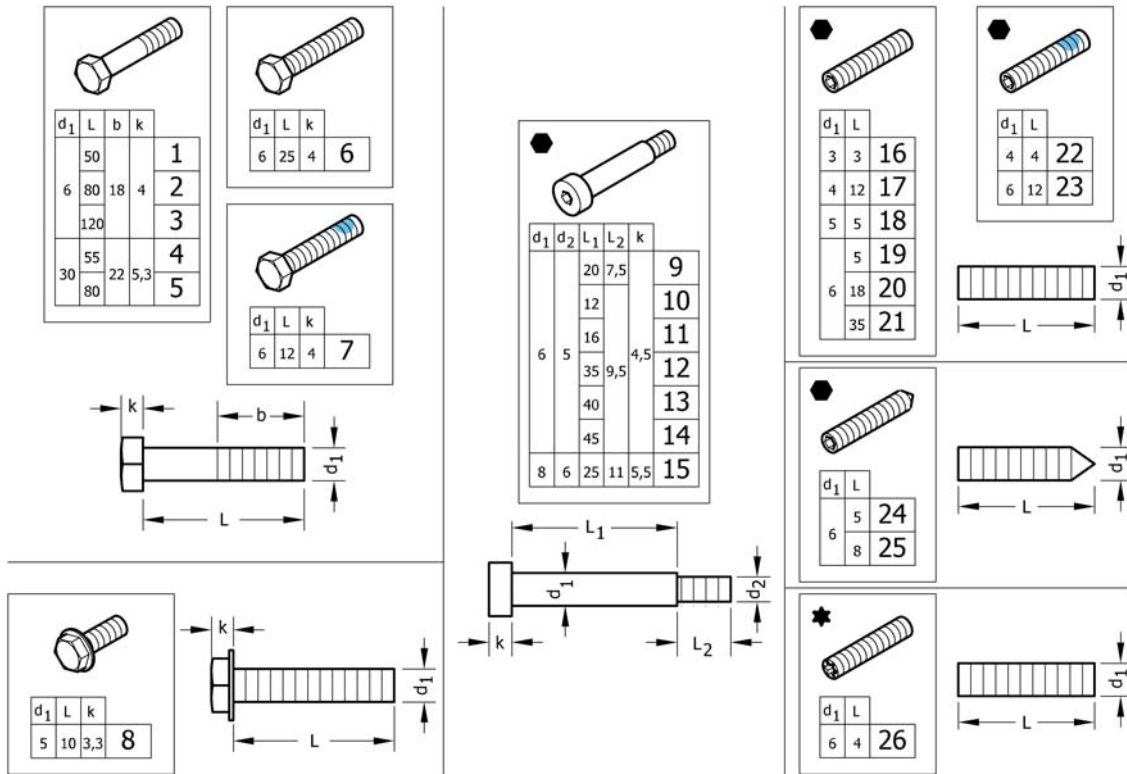
Pos.	Part number	Description	Valid from → until	Qty
1	1579259	Hex sock.Button head cap screws partially thread., Black, M6x45, kit 25 Pcs. <i>Replaces 1438507 (25x)</i>		1
2	1579260	Hex socket button head cap screws fully threaded, Black, M5x16, kit 25 Pcs. <i>Replaces 1445341-0003 (25x)</i>		1
3	1579261	Hex socket button head cap screws fully threaded, Black, M5x25, kit 25 Pcs. <i>Replaces 107.1021 (25x)</i>		1
4	1579262	Hex socket button head cap screws fully threaded, Black, M5x40, kit 25 Pcs. <i>Replaces 1445101-0003 (25x)</i>		1
5	1579263	Hex socket button head cap screws fully threaded, Black, M6x20, kit 25 Pcs. <i>Replaces 1439153 (25x)</i>		1
6	1579264	Hex socket button head cap screws fully threaded, Black, M6x34, kit 25 Pcs. <i>Replaces 1438506-0003 (25x)</i>		1
7	1579265	Hex socket button head cap screws fully threaded, Black, M6x40, kit 25 Pcs. <i>Replaces 1439530-0003 (25x)</i>		1
8	1579266	Hex socket button head cap screws fully threaded, Black, M6x50, kit 25 Pcs. <i>Replaces 1439531-0003 (25x)</i>		1
9	1579267	Hex sock.But.Head cap screws full.Thread., Black, TufLok, M6x25, kit 25 Pcs. <i>Replaces 1438505 (25x)</i>		1
10	1579268	Button head socket cap screws with flange, Black, M5x8, kit 25 Pcs. <i>Replaces 1536268 (25x)</i>		1
11	1579269	Button head socket cap screws with flange, Black, M5x12, kit 25 Pcs. <i>Replaces 1529290 (25x)</i>		1
12	1579270	Button head socket cap screws with flange, Black, M5x16, kit 25 Pcs. <i>Replaces 1445102-0003 (25x)</i>		1
13	1579271	Button head socket cap screws with flange, Black, M6x12, kit 25 Pcs. <i>Replaces 1432204 (25x)</i>		1
14	1579272	Round washer head PT® screws, form H, zinc plated blue, M5x16, kit 25 Pcs. <i>Replaces 1536057 (25x)</i>		1



## Button head screws

Pos.	Part number	Description	Valid from → until	Qty
15	1579273	Pan head PT screws, form H, zinc plated blue, M3x10, kit 25 Pcs. <i>Replaces ZM003510A (25x)</i>		1
16	1579274	Pan head PT screws, Torx, Black, M5x20, kit 25 Pcs. <i>Replaces 1424569 (25x)</i>		1
17	1579275	Slotted machine screws, Black, M5x10, kit 25 Pcs. <i>Replaces 102.2083 (25x)</i>		1



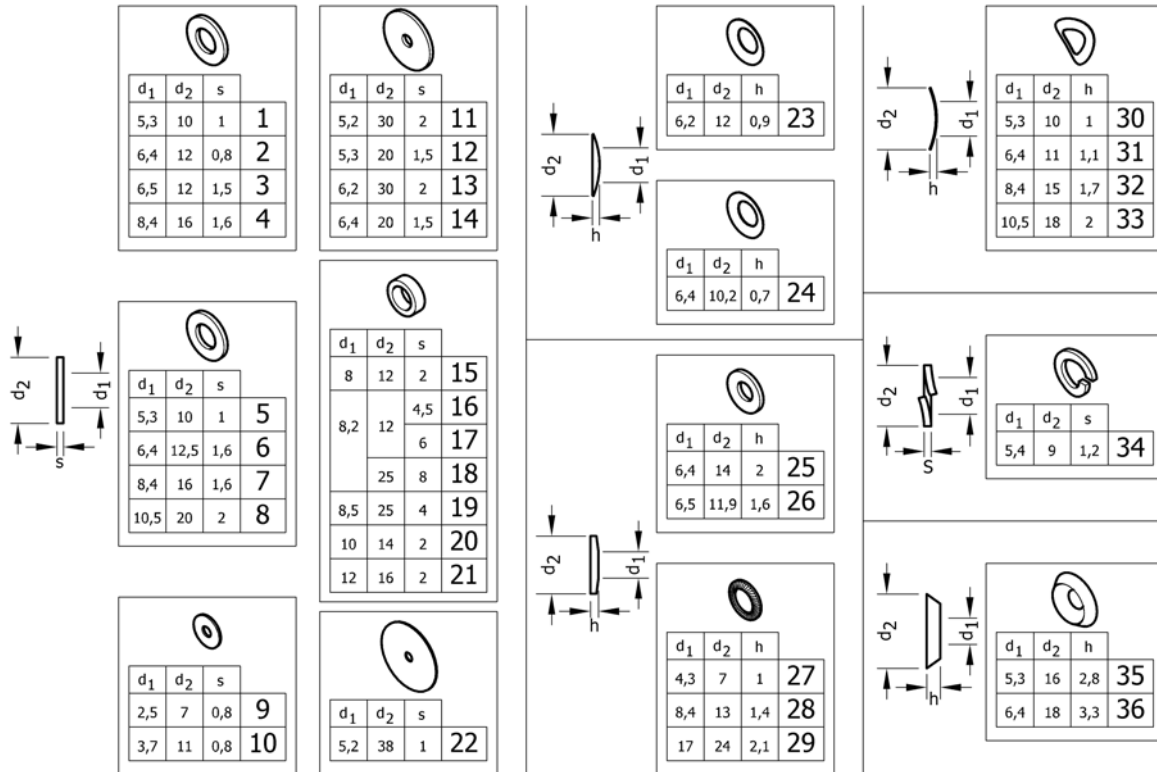


Pos.	Part number	Description	Valid from → until	Qty
1	1579276	Hex head bolts partially threaded, Black, M6x50, kit 10 Pcs. <i>Replaces 101.1134 (10x)</i>		1
2	1579277	Hex head bolts partially threaded, Black, M6x80, kit 10 Pcs. <i>Replaces 1438508 (10x)</i>		1
3	1579278	Hex head bolts partially threaded, Black, M6x120, kit 10 Pcs. <i>Replaces 1438509 (10x)</i>		1
4	1579279	Hex head bolts partially threaded, Black, M8x55, kit 10 Pcs. <i>Replaces 101.1174 (10x)</i>		1
5	1579280	Hex head bolts partially threaded, Black, M8x80, kit 10 Pcs. <i>Replaces 101.1179 (10x)</i>		1
6	1579281	Hex head screws fully threaded, Black, M6x25, kit 10 Pcs. <i>Replaces 1437299 (10x)</i>		1
7	1579282	Hex head screws fully threaded, Black, TufLok, M6x12, kit 10 Pcs. <i>Replaces 1564245 (10x)</i>		1
8	1579283	Hex flange head machine screws with flangeBlack, M5x10, kit 10 Pcs. <i>Replaces 107.1014 (10x)</i>		1
9	1579295	Hex socket head shoulder bolts, Black, Ø6x20 / M5, kit 4 Pcs. <i>Replaces 1488934-0003 (4x)</i>		1
10	1579296	Hex socket head shoulder bolts, Black, Ø6x12 / M5, kit 4 Pcs. <i>Replaces 1564246 (4x)</i>		1
11	1579297	Hex socket head shoulder bolts, Black, Ø6x16 / M5, kit 4 Pcs. <i>Replaces 1529291 (4x)</i>		1
12	1579298	Hex socket head shoulder bolts, Black, Ø6x35 / M5, kit 4 Pcs. <i>Replaces 1496034 (4x)</i>		1
13	1579299	Hex socket head shoulder bolts, Black, Ø6x40 / M5, kit 4 Pcs. <i>Replaces 107.1023 (4x)</i>		1
14	1579300	Hex socket head shoulder bolts, Black, Ø6x45 / M5, kit 4 Pcs. <i>Replaces 1496030 (4x)</i>		1
15	1579301	Hex socket head shoulder bolts, Black, Ø8x25 / M6, kit 4 Pcs. <i>Replaces ZM008252A (4x)</i>		1
16	1579284	Hex socket set screws with flat point, Black, M3x3, kit 25 Pcs. <i>Replaces 116.1001 (25x)</i>		1
17	1579285	Hex socket set screws with flat point, Black, M4x12, kit 25 Pcs. <i>Replaces 116.1046 (25x)</i>		1
18	1579286	Hex socket set screws with flat point, zinc plated blue, M5x5, kit 25 Pcs. <i>Replaces 116.1081 (25x)</i>		1

**Hex-head screws, diverse, ...**

Pos.	Part number	Description	Valid from → until	Qty
19	1579287	Hex socket set screws with flat point, Black, M6x5, kit 25 Pcs. <i>Replaces 1437272 (25x)</i>		1
20	1579288	Hex socket set screws with flat point, zinc plated blue, M6x18, kit 25 Pcs. <i>Replaces 1559106 (25x)</i>		1
21	1579289	Hex socket set screws with flat point, Black, M6x35, kit 25 Pcs. <i>Replaces 116.1133 (25x)</i>		1
22	1579290	Hex socket set screws with flat point, Black, TufLok, M4x4, kit 10 Pcs. <i>Replaces 1493792 (10x)</i>		1
23	1579291	Hex socket set screws with flat point, Z.Plat.Bl., TufLok, M6x12, kit 10Pcs. <i>Replaces 1439057 (10x)</i>		1
24	1579292	Hex socket set screws with cone point, Black, M6x5, kit 25 Pcs. <i>Replaces 116.2121 (25x)</i>		1
25	1579293	Hex socket set screws with cone point, Black, M6x8, kit 25 Pcs. <i>Replaces 116.2123 (25x)</i>		1
26	1579294	Screws with cup point, Torx, zinc plated blue, M6x4, kit 25 Pcs. <i>Replaces 1567763 (25x)</i>		1

# Washers

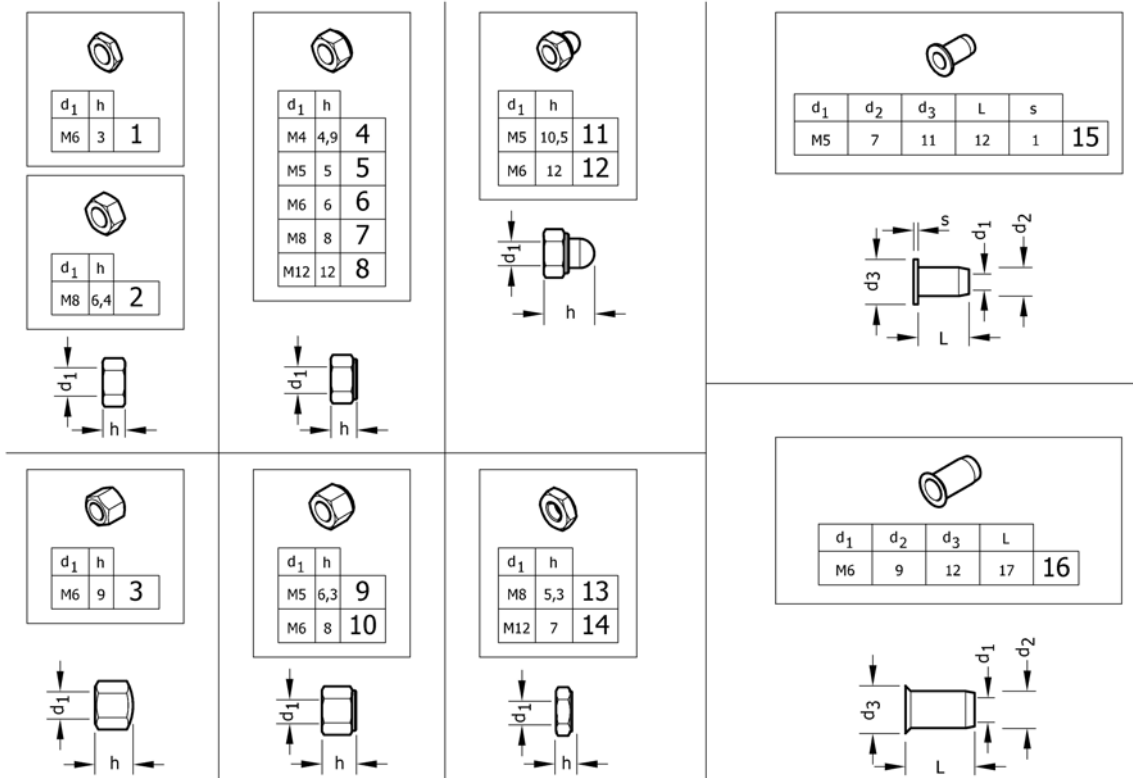


Pos.	Part number	Description	Valid from → until	Qty
1	1579225	Flat washers without chamfer, black, 5,3x10x1, kit 50 Pcs. <i>Replaces 150.1004 (50x)</i>		1
2	1579226	Flat washers without chamfer, black, 6,4x12x0,8, kit 50 Pcs. <i>Replaces 150.2001 (50x)</i>		1
3	1579227	Flat washers without chamfer, zinc plated blue, 6,5x12x1,5, kit 50 Pcs. <i>Replaces 5729091 (50x)</i>		1
4	1579228	Flat washers without chamfer, black, 8,4x16x1,6, kit 50 Pcs. <i>Replaces 150.1012 (50x)</i>		1
5	1579229	Flat washers without chamfer, polyamide, 5,3x10x1, kit 50 Pcs. <i>Replaces 150.3003 (50x)</i>		1
6	1579230	Flat washers without chamfer, polyamide, 6,4x12,5x1,6, kit 50 Pcs. <i>Replaces 150.3004 (50x)</i>		1
7	1579231	Flat washers without chamfer, polyamide, 8,4x16x1,6, kit 50 Pcs. <i>Replaces 150.3005 (50x)</i>		1
8	1579232	Flat washers without chamfer, polyamide, 10,5x20x2, kit 50 Pcs. <i>Replaces 150.3006 (50x)</i>		1
9	1579233	Flat washers without chamfer, zinc plated blue, 2,5x7x0,8, kit 50 Pcs. <i>Replaces 150.2012 (50x)</i>		1
10	1579234	Flat washers without chamfer, zinc plated blue, 3,7x11x0,8, kit 50 Pcs. <i>Replaces ZM203501A (50x)</i>		1
11	1579235	Flat washers without chamfer, black, 5,2x30x2, kit 20 Pcs. <i>Replaces 150.2006 (20x)</i>		1
12	1579236	Flat washers without chamfer, black, 5,3x20x1,5, kit 50 Pcs. <i>Replaces 150.2010 (50x)</i>		1
13	1579237	Flat washers without chamfer, black, 6,2x30x2, kit 20 Pcs. <i>Replaces 150.2009 (20x)</i>		1
14	1579238	Flat washers without chamfer, black, 6,4x25x1,5, kit 50 Pcs. <i>Replaces 1451753 (50x)</i>		1
15	1579239	Hinge rings, black, 8x12x2, kit 50 Pcs. <i>Replaces 150.5002 (50x)</i>		1
16	1579240	Distance sleeve, alu, 8,2x12x4,5, kit 20 Pcs. <i>Replaces 1420970 (20x)</i>		1
17	1579241	Distance sleeve, alu, 8,2x12x6, kit 20 Pcs. <i>Replaces 1420969 (20x)</i>		1
18	1581292	Distance sleeve, alu, 8,2x25x8, kit 2 Pcs. <i>Replaces 151.1002 (2x)</i>		1

## Washers

Pos.	Part number	Description	Valid from → until	Qty
19	1583052	Distance sleeve, alu, black, 8,5x25x4, kit 10 Pcs. <i>Replaces 151.1014 (10x)</i>		1
20	1579242	Hinge rings, zinc plated blue, 10x14x2, kit 50 Pcs. <i>Replaces 1506666 (50x)</i>		1
21	1579243	Hinge rings, black, 12x16x2, kit 50 Pcs. <i>Replaces 150.5006 (50x)</i>		1
22	1579244	Rubber washers, 5,2x38x1, kit 20 Pcs. <i>Replaces 1424891 (20x)</i>		1
23	1579245	Disc springs, black, 6,2x12x0,9, kit 50 Pcs. <i>Replaces 160.1015 (50x)</i>		1
24	1579246	Conical spring washers, zinc plated blue, 6,4x10,2x0,7, kit 50 Pcs. <i>Replaces 161.1004 (50x)</i>		1
25	1579247	Conical spring washers, black, 6,4x14x2, kit 50 Pcs. <i>Replaces 161.2004 (50x)</i>		1
26	1579248	Conical spring washers, zinc plated blue, 6,5x11,9x1,6, kit 50 Pcs. <i>Replaces ZM206001A (50x)</i>		1
27	1579249	Ribbed lock washers, black, 4,3x7x1, kit 50 Pcs. <i>Replaces 155.2002 (50x)</i>		1
28	1579250	Ribbed lock washers, zinc plated blue, 8,4x13x1,4, kit 50 Pcs. <i>Replaces 155.2005 (50x)</i>		1
29	1579251	Ribbed lock washers, zinc plated blue, 17x24x2,1, kit 50 Pcs. <i>Replaces 155.2009 (50x)</i>		1
30	1579252	Curved spring washers, black, 5,3x10x1, kit 50 Pcs. <i>Replaces 1438515 (50x)</i>		1
31	1579253	Curved spring washers, black, 6,4x11x1,1, kit 50 Pcs. <i>Replaces 1438516 (50x)</i>		1
32	1579254	Curved spring washers, zinc plated blue, 8,4x15x1,7, kit 50 Pcs. <i>Replaces ZM208003A (50x)</i>		1
33	1579255	Curved spring washers, zinc plated blue, 10,5x18x2, kit 50 Pcs. <i>Replaces ZM201581A (50x)</i>		1
34	1579256	Split spring lock washers, black, 5,4x9x1,2, kit 50 Pcs. <i>Replaces 155.1003 (50x)</i>		1
35	1579257	Finishing washers 90° countersunk head screw, black, 5,3x16x2,8, kit 50 Pcs. <i>Replaces 150.6003 (50x)</i>		1
36	1579258	Finishing washers 90° countersunk head screw, black, 6,4x18x3,3, kit 50 Pcs. <i>Replaces 150.6004 (50x)</i>		1

# Nuts

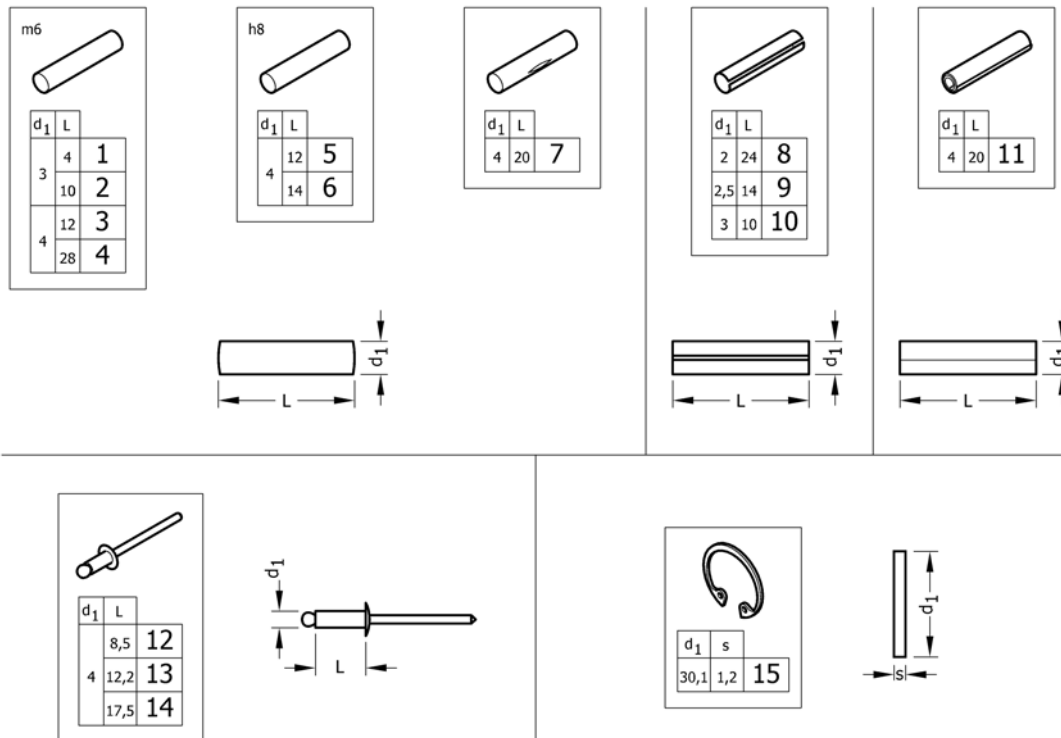


Pos.	Part number	Description	Valid from → until	Qty
1	1579207	Hex jam nuts, black, M6, kit 25 Pcs. <i>Replaces 108.3004 (25x)</i>		1
2	1579208	Hexagon nuts , black, M8, kit 25 Pcs. <i>Replaces 1420997 (25x)</i>		1
3	1579209	Hex cap nuts, low type, black, M6, kit 25 Pcs. <i>Replaces 109.5009 (25x)</i>		1
4	1579210	Prev.Torque lock nuts, thin type, with polyam.Insert, black, M4, kit 25 Pcs. <i>Replaces 109.1002 (25x)</i>		1
5	1579211	Prev.Torque lock nuts, thin type, with polyam.Insert, black, M5, kit 25 Pcs. <i>Replaces 109.1003 (25x)</i>		1
5	1579212	Prev.Torque lock nuts, thin type, with polya.Insert, zi.Bl., M5, kit 25 Pcs. <i>Replaces 109.5008 (25x)</i>		1
6	1579213	Prev.Torque lock nuts, thin type, with polyam.Insert, black, M6, kit 25 Pcs. <i>Replaces 109.1004 (25x)</i>		1
6	1579214	Prev.Torque lock nuts, thin type, with polya.Insert, zi.Bl., M6, kit 25 Pcs. <i>Replaces ZM106001A (25x)</i>		1
7	1579215	Prev.Torque lock nuts, thin type, with polyam.Insert, black, M8, kit 25 Pcs. <i>Replaces 109.1005 (25x)</i>		1
8	1579216	Prev.Torque lock nuts, thin type, with polya.Insert, black, M12, kit 4 Pcs. <i>Replaces 109.1007 (4x)</i>		1
9	1579217	Preva.Torq.Hex lock nuts, high type with poly.Insert, black, M5, kit 25 Pcs. <i>Replaces 1493771 (25x)</i>		1
10	1579218	Preva.Torq.Hex lock nuts, high type with poly.Insert, black, M6, kit 25 Pcs. <i>Replaces 109.5001 (25x)</i>		1
11	1579219	Prevail.Torque hex domed cap nuts with polyam.Insert, black, M5, kit 25 Pcs. <i>Replaces 109.5006 (25x)</i>		1
12	1579220	Prevail.Torque hex domed cap nuts with polyam.Insert, black, M6, kit 25 Pcs. <i>Replaces 109.5003 (25x)</i>		1
13	1579221	Prevailing torque hex lock nuts, all-metal, thin typeblack, M8, kit 10 Pcs. <i>Replaces 109.5005 (10x)</i>		1
14	1579222	Prevailing torque hex lock nuts, all-metal, thin typeblack, M12, kit 4 Pcs. <i>Replaces 109.5004 (4x)</i>		1
15	1579223	Blind rivet nuts, flat head, open type, black, M5, kit 10 Pcs. <i>Replaces 180.4007 (10x)</i>		1

## Nuts

Pos.	Part number	Description	Valid from → until	Qty
16	1579224	Blind rivet nut with low countersunk head, open type, black, M6, kit 10 Pcs. <i>Replaces 180.4105 (10x)</i>		1

## Pins, rivets, ...



Pos.	Part number	Description	Valid from → until	Qty
1	1579302	Parallel pins, Ø3x4 m6, kit 10 Pcs. <i>Replaces 1439336 (10x)</i>		1
2	1579303	Parallel pins, Ø3x10 m6, kit 10 Pcs. <i>Replaces 1439337 (10x)</i>		1
3	1579304	Parallel pins, Ø4x12 m6, kit 20 Pcs. <i>Replaces 200.1124 (20x)</i>		1
4	1579305	Parallel pins, Ø4x28 m6, kit 20 Pcs. <i>Replaces 1437344 (20x)</i>		1
5	1579306	Parallel pins, Ø4x12 h8, kit 20 Pcs. <i>Replaces 1487663 (20x)</i>		1
6	1579307	Parallel pins, Ø4x14 h8, kit 20 Pcs. <i>Replaces 1487662 (20x)</i>		1
7	1579308	Grooved pins, center grooved, Ø4x20, kit 20 Pcs. <i>Replaces 1517718 (20x)</i>		1
8	1579309	Slotted spring pins, heavy duty, Black, Ø2x24, kit 20 Pcs. <i>Replaces 200.4011 (20x)</i>		1
9	1579310	Slotted spring pins, heavy duty, Black, Ø2,5x14, kit 20 Pcs. <i>Replaces 200.4007 (20x)</i>		1
10	1579311	Slotted spring pins, heavy duty, stainless steel, Ø3x10, kit 20 Pcs. <i>Replaces 1567997 (20x)</i>		1
11	1579312	Spiral spring pins, Black, Ø4x20, kit 20 Pcs. <i>Replaces 200.3167 (20x)</i>		1
12	1579313	Dome head blind rivets, Ø4x8,5, kit 20 Pcs. <i>Replaces 1439292 (20x)</i>		1
13	1579314	Dome head blind rivets, Ø4x12,2, kit 20 Pcs. <i>Replaces 180.5116 (20x)</i>		1
14	1579315	Dome head blind rivets, Ø4x17,5, kit 20 Pcs. <i>Replaces 180.5019 (20x)</i>		1
15	1579316	Retaining rings for bores, Std.Design, Z.plat.Blue, Ø30,1X1,2, kit 20 Pcs. <i>Replaces ZM50J281A (20x)</i>		1



Yes, you can.®



---

**Belgium & Luxemburg:**

Invacare nv, Autobaan 22, B-8210 Loppem  
Tel: (32) (0)50 83 10 10, Fax: (32) (0)50 83 10 11  
belgium@invacare.com / www.invacare.be

**Denmark:**

Invacare A/S, Sdr. Ringvej 37, DK-2605 Brøndby  
Tel: (45) (0)36 90 00 00, Fax: (45) (0)36 90 00 01  
denmark@invacare.com / www.invacare.dk

**Deutschland:**

Invacare Aquatec GmbH, Alemannenstraße 10, D-88316 Isny  
Tel: (49) (0)75 62 7 00 0, Fax: (49) (0)75 62 7 00 66  
info@invacare-aquatec.com / www.invacare-aquatec.de

**European Distributor Organisation:**

Invacare, Kleiststraße 49, D-32457 Porta Westfalica  
Tel: (49) (0)57 31 754 540, Fax: (49) (0)57 31 754 541  
edo@invacare.com / www.invacare.eu.com

**España:**

Invacare SA, c/Areny s/n, Polígon Industrial de Celrà, E-17460 Celrà (Girona)  
Tel: (34) (0)972 49 32 00, Fax: (34) (0)972 49 32 20  
contactsp@invacare.com / www.invacare.es

**France:**

Invacare Poirier SAS, Route de St Roch, F-37230 Fondettes  
Tel: (33) (0)2 47 62 64 66, Fax: (33) (0)2 47 42 12 24  
contactfr@invacare.com / www.invacare.fr

**Ireland:**

Invacare Ireland Ltd, Unit 5 Seatown Business Campus, Seatown Road, Swords, County Dublin - Ireland  
Tel: (353) 1 810 7084, Fax: (353) 1 810 7085  
ireland@invacare.com / www.invacare.ie

**Italia:**

Invacare Mecc San s.r.l., Via dei Pini 62, I-36016 Thiene (VI)  
Tel: (39) 0445 38 00 59, Fax: (39) 0445 38 00 34  
italia@invacare.com / www.invacare.it

**Nederland:**

Invacare BV, Celsiusstraat 46, NL-6716 BZ Ede  
Tel: (31) (0)318 695 757, Fax: (31) (0)318 695 758  
nederland@invacare.com, csede@invacare.com / www.invacare.nl

**Norge:**

Invacare AS, Grensesvingen 9, Postboks 6230, Etterstad, N-0603 Oslo  
Tel: (47) (0)22 57 95 00, Fax: (47) (0)22 57 95 01  
norway@invacare.com, island@invacare.com / www.invacare.no

**Österreich:**

Invacare Austria GmbH, Herzog Odilostrasse 101, A-5310 Mondsee  
Tel: (43) 6232 5535 0, Fax: (43) 6232 5535 4  
info-austria@invacare.com / www.invacare.at

**Portugal:**

Invacare Lda, Rua Estrada Velha, 949, P-4465-784 Leça do Balio  
Tel: (351) (0)225 1059 46/47, Fax: (351) (0)225 1057 39  
portugal@invacare.com / www.invacare.pt

**Sverige & Suomi:**

Invacare AB, Fagerstagatan 9, S-163 91 Spånga  
Tel: (46) (0)8 761 70 90, Fax: (46) (0)8 761 81 08  
sweden@invacare.com, finland@invacare.com / www.invacare.se

**Switzerland:**

Invacare AG, Benkenstrasse 260, CH-4108 Witterswil  
Tel: (41) (0)61 487 70 80, Fax: (41) (0)61 487 70 81  
switzerland@invacare.com / www.invacare.ch

**United Kingdom:**

Invacare Limited, Pencoed Technology Park, Pencoed, Bridgend CF35 5AQ  
Switchboard Tel: (44) (0)1656 776200, Fax: (44) (0)1656 776201  
Customer services Tel: (44) (0)1656 776222, Fax: (44) (0)1656 776220  
uk@invacare.com / www.invacare.co.uk