

Spare Parts Catalogue

Version: 2015/12/09c NL



küschall **R33**



Yes, you can.®

General Information

For any order of spare parts the following information is required:

- Product type*
- Product name & model*
- Serial Number*
- Part-Number*
- Part-Description*

Exploded view drawings and code numbers are not contractual and subject to modification, in relation to Invacare® continuous product improvement policy to meet end users needs.

The reproduction or use of this work, or of any substantial part of this work, in any form or by any electronic, mechanical or other means, including photocopying, scanning and recording, and in any information storage and retrieval system, including electronic transmission, is forbidden without the prior written permission of Invacare® International Sarl.



Yes, you can.®

TABLE OF CONTENTS

(INFORMATION)

(Abbreviations)	5
(Frame colours)	6
(CPS colours)	7

(CHASSIS)

(CHASSIS)	8
(Frame 75°)	9
(Frame 90°)	13
(Centerpart)	17
(Axle tubes)	19

(SEAT)

(SEAT)	20
(Seat module)	21
(Seat frame, cover standard =>31.12.2011)	23
(Seat frame, cover standard 01.01.2012=>)	26
(Seat frame, cover tension adjustable =>31.12.2011)	28
(Seat frame, cover tension adjustable 01.01.2012=>)	31
(Seat frame, cover light =>31.12.2011)	33
(Seat frame, cover light 01.01.2012=>)	36
(Seat cushion standard)	38
(Seat cushion Alcantara)	39

(BACKREST)

(BACKREST)	43
(Backrest =>31.12.2011)	44
(Backrest 01.01.2012=>)	46
(Bands to adjustable backrest)	48
(Cover to adjustable backrest)	49
(Cover to adjustable backrest Alcantara)	51

(FOOTREST)

(FOOTREST)	54
(Footrest standard)	55
(Footrest angle adjustable)	56
(Footrest mounted in high position)	57
(Calf strap)	58

(SIDERESTS)

(SIDERESTS)	59
(Clothes-guards)	60
(Mudguards 01.11.2008=>)	61
(Siderest height adjustable 01.04.2008=>)	62

(FRONT WHEELS)

(FRONT WHEELS)	63
(Front wheel supporter)	64

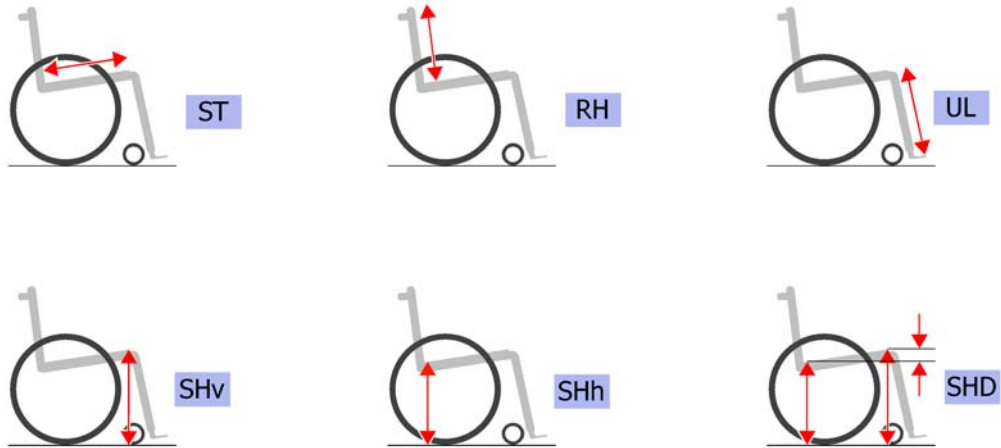


Yes, you can.®

TABLE OF CONTENTS

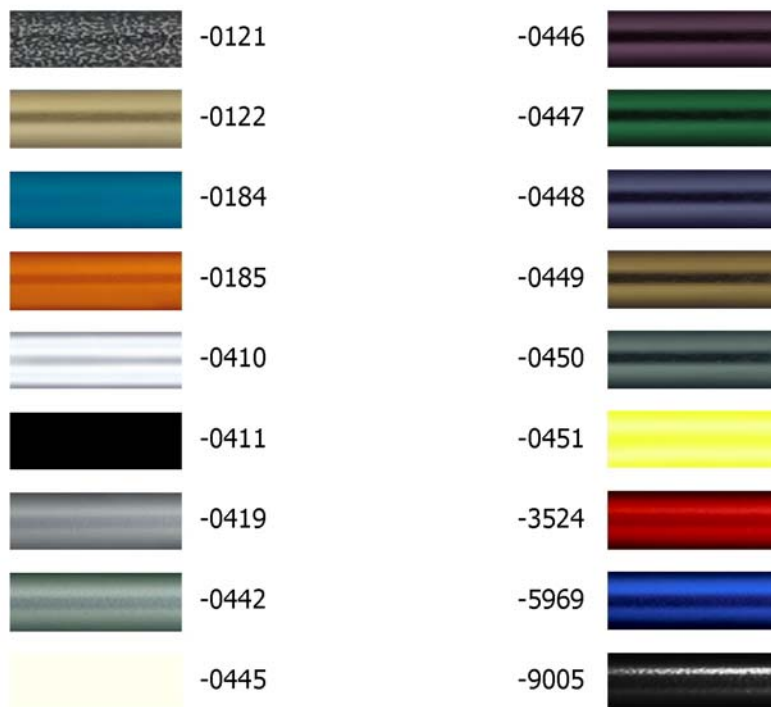
(Configuration table for front fork size)	66
(Front wheels)	67
(REAR WHEELS)	
(REAR WHEELS)	69
(Küschall Starec wheels)	70
(High Performance wheel)	73
(Mountain bike wheel)	75
(Spinergy wheel)	76
(Spinergy L XK wheel)	77
(Ultra-light fibre wheel)	78
(Handrim)	79
(Fixation handrim)	80
(Tyre)	81
(Inner tube and rim protector)	82
(Spokes guard)	83
(Quick release axle and bearing)	84
(BRAKES)	
(BRAKES)	85
(Brakes)	86
(OPTIONS & ACCESSORIES)	
(OPTIONS & ACCESSORIES)	87
(Antitipper)	88
(Chair accessories)	89
(Luggage holder)	90
(Winter accessories)	91
(Fixation: screws, ...)	92
(Socket head cap screws)	93
(Countersunk screws)	96
(Button head screws)	98
(Hex-head screws, diverse, ...)	100
(Washers)	102
(Nuts)	104
(Pins, rivets, ...)	106

(Abbreviations)

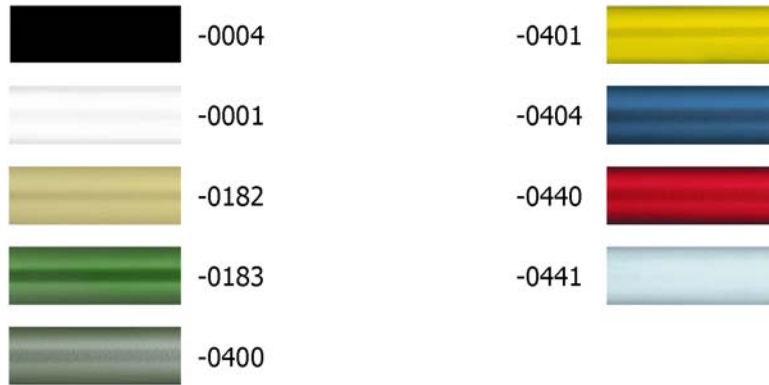


L	-	(Left side (sitting in the wheelchair))	0
R	-	(Right side (sitting in the wheelchair))	0
L+R	-	(Left and right sides (paire))	0
SB	-	(Seat width (2 digits in cm or 3 digits in mm))	0
ST	-	(Seat depth (2 digits in cm or 3 digits in mm))	0
RH	-	(Backrest height (2 digits in cm or 3 digits in mm))	0
UL	-	(Knee-to-heel length (2 digits in cm or 3 digits in mm))	0
SHv	-	(Front seat-to-floor height (2 digits in cm or 3 digits in mm))	0
SHh	-	(Rear seat-to-floor height (2 digits in cm or 3 digits in mm))	0
SHD	-	(Front and rear seat-to-floor height difference (2 digits in cm or 3 digits in mm))	0

(Frame colours)

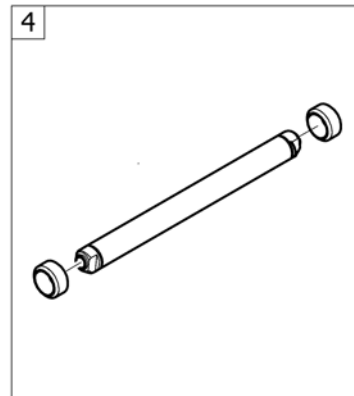
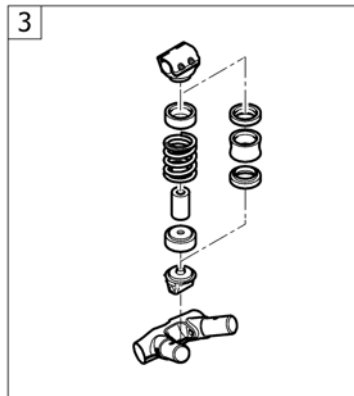
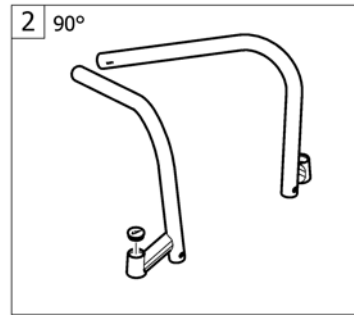
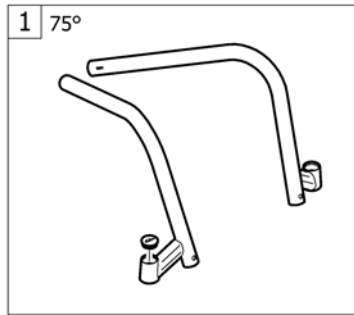


-0121	-	(Color code for black-grey rustico frames)	01.01.2012 → 31.12.2014	0
-0122	-	(Color code for golden beach frames)	01.01.2013 → 31.12.2014	0
-0184	-	(Color code for mercury blue frames)	01.01.2015 →	0
-0185	-	(Color code for dynamite orange frames)	01.01.2015 →	0
-0410	-	(Color code for polished frames)		0
-0411	-	(Color code for black matt frames)	01.07.2010 →	0
-0419	-	(Color code for silver grey frames)		0
-0442	-	(Color code for night shimmer frames)		0
-0445	-	(Color code for ivory white frames)	01.01.2010 →	0
-0446	-	(Color code for purple fire frames)	01.01.2010 →	0
-0447	-	(Color code for emerald green frames)	01.01.2010 → 31.12.2012	0
-0448	-	(Color code for midnight blue frames)	01.01.2010 → 31.12.2012	0
-0449	-	(Color code for umber glaze frames)	01.01.2010 → 31.12.2014	0
-0450	-	(Color code for smokey grey frames)	01.01.2010 →	0
-0451	-	(Color code for flashy yellow frames)	01.07.2011 →	0
-3524	-	(Color code for royal red frames)		0
-5969	-	(Color code for royal blue frames)	01.07.2010 →	0
-9005	-	(Color code for glossy black frames)		0



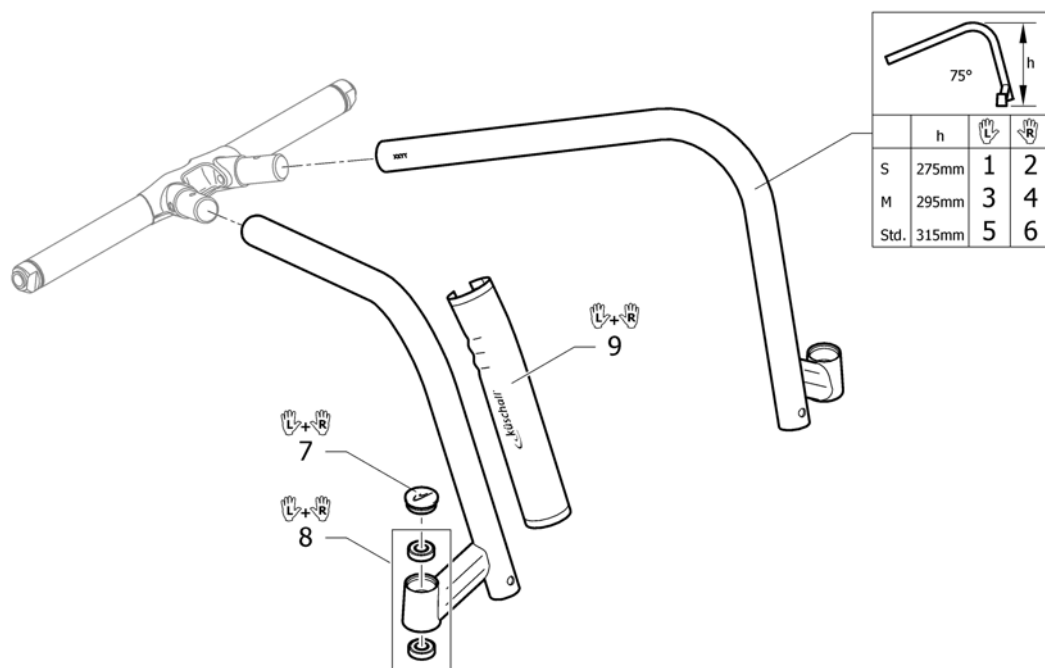
-0004	-	(Color code for black anodized CPS)		0
-0001	-	(Color code for chrome CPS)	01.07.2011 →	0
-0182	-	(Color code for champagne CPS)	01.01.2013 →	0
-0183	-	(Color code for olive CPS)	01.01.2013 →	0
-0400	-	(Color code for techno-anthrazit CPS)		0
-0401	-	(Color code for lemon CPS)	01.01.2007 → 31.12.2012	0
-0404	-	(Color code for b-blue CPS)		0
-0440	-	(Color code for comet red CPS)		0
-0441	-	(Color code for arctic blue CPS)		0

(CHASSIS)



1	-	(Frame 75°)	1
2	-	(Frame 90°)	1
3	-	(Centerpart)	1
4	-	(Axle tubes)	1

(Frame 75°)



1	1556745-0121	(Frame R33 short, left 75°, black-grey rustico)	01.01.2012 → 31.12.2014	1
1	1556745-0122	(Frame R33 short, left 75°, golden beach)	01.01.2013 → 31.12.2014	1
1	1556745-0184	(Frame R33 short, left 75°, mercury blue)	01.01.2015 →	1
1	1556745-0185	(Frame R33 short, left 75°, dynamite orange)	01.01.2015 →	1
1	1556745-0410	(Frame R33 short, left 75°, polished)	01.01.2012 →	1
1	1556745-0411	(Frame R33 short, left 75°, black matt)	01.01.2012 →	1
1	1556745-0419	(Frame R33 short, left 75°, silver grey)	01.01.2012 →	1
1	1556745-0442	(Frame R33 short, left 75°, night shimmer)	01.01.2012 →	1
1	1556745-0445	(Frame R33 short, left 75°, ivory white)	01.01.2012 →	1
1	1556745-0446	(Frame R33 short, left 75°, purple fire)	01.01.2012 →	1
1	1556745-0447	(Frame R33 short, left 75°, emerald green)	01.01.2012 → 31.12.2012	1
1	1556745-0448	(Frame R33 short, left 75°, midnight blue)	01.01.2012 → 31.12.2012	1
1	1556745-0449	(Frame R33 short, left 75°, umber glaze)	01.01.2012 → 31.12.2014	1
1	1556745-0450	(Frame R33 short, left 75°, smokey grey)	01.01.2012 →	1
1	1556745-0451	(Frame R33 short, left 75°, flashy yellow)	01.01.2012 →	1
1	1556745-3524	(Frame R33 short, left 75°, royal red)	01.01.2012 →	1
1	1556745-5969	(Frame R33 short, left 75°, royal blue)	01.01.2012 →	1
1	1556745-9005	(Frame R33 short, left 75°, glossy black)	01.01.2012 →	1
2	1556744-0121	(Frame R33 short, right 75°, black-grey rustico)	01.01.2012 → 31.12.2014	1
2	1556744-0122	(Frame R33 short, right 75°, golden beach)	01.01.2013 → 31.12.2014	1
2	1556744-0184	(Frame R33 short, right 75°, mercury blue)	01.01.2015 →	1
2	1556744-0185	(Frame R33 short, right 75°, dynamite orange)	01.01.2015 →	1
2	1556744-0410	(Frame R33 short, right 75°, polished)	01.01.2012 →	1
2	1556744-0411	(Frame R33 short, right 75°, black matt)	01.01.2012 →	1
2	1556744-0419	(Frame R33 short, right 75°, silver grey)	01.01.2012 →	1
2	1556744-0442	(Frame R33 short, right 75°, night shimmer)	01.01.2012 →	1

(Frame 75°)

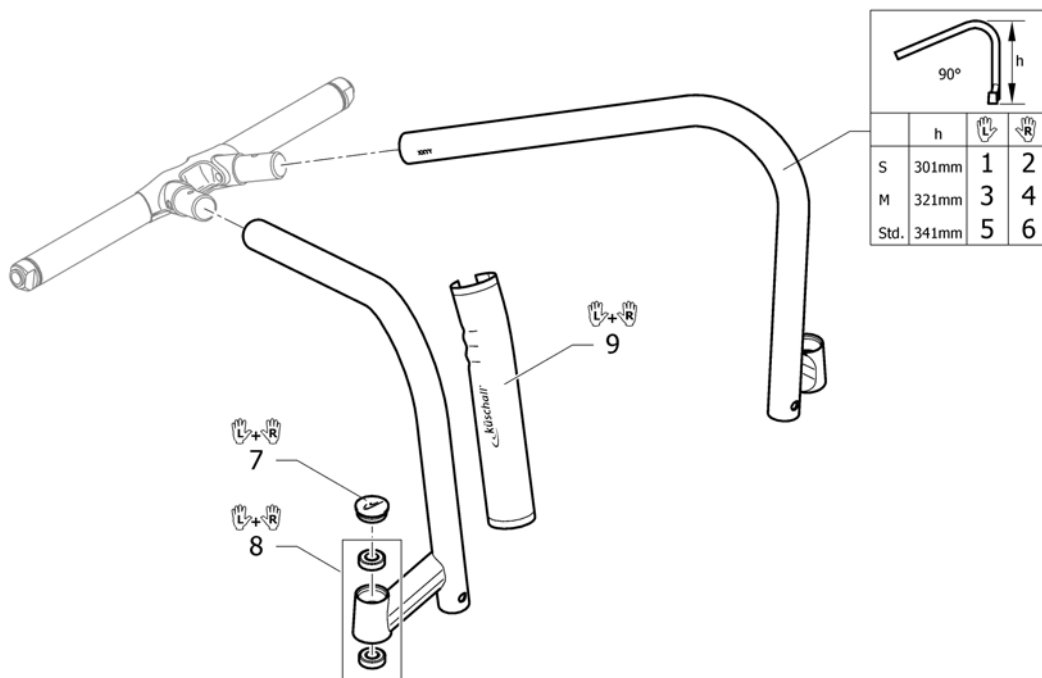
2	1556744-0445	(Frame R33 short, right 75°, ivory white)	01.01.2012 →	1
2	1556744-0446	(Frame R33 short, right 75°, purple fire)	01.01.2012 →	1
2	1556744-0447	(Frame R33 short, right 75°, emerald green)	01.01.2012 → 31.12.2012	1
2	1556744-0448	(Frame R33 short, right 75°, midnight blue)	01.01.2012 → 31.12.2012	1
2	1556744-0449	(Frame R33 short, right 75°, umber glaze)	01.01.2012 → 31.12.2014	1
2	1556744-0450	(Frame R33 short, right 75°, smokey grey)	01.01.2012 →	1
2	1556744-0451	(Frame R33 short, right 75°, flashy yellow)	01.01.2012 →	1
2	1556744-3524	(Frame R33 short, right 75°, royal red)	01.01.2012 →	1
2	1556744-5969	(Frame R33 short, right 75°, royal blue)	01.01.2012 →	1
2	1556744-9005	(Frame R33 short, right 75°, glossy black)	01.01.2012 →	1
3	1556743-0121	(Frame R33 medium, left 75°, black-grey rustico)	01.01.2012 → 31.12.2014	1
3	1556743-0122	(Frame R33 medium, left 75°, golden beach)	01.01.2013 → 31.12.2014	1
3	1556743-0184	(Frame R33 medium, left 75°, mercury blue)	01.01.2015 →	1
3	1556743-0185	(Frame R33 medium, left 75°, dynamite orange)	01.01.2015 →	1
3	1556743-0410	(Frame R33 medium, left 75°, polished)	01.01.2012 →	1
3	1556743-0411	(Frame R33 medium, left 75°, black matt)	01.01.2012 →	1
3	1556743-0419	(Frame R33 medium, left 75°, silver grey)	01.01.2012 →	1
3	1556743-0442	(Frame R33 medium, left 75°, night shimmer)	01.01.2012 →	1
3	1556743-0445	(Frame R33 medium, left 75°, ivory white)	01.01.2012 →	1
3	1556743-0446	(Frame R33 medium, left 75°, purple fire)	01.01.2012 →	1
3	1556743-0447	(Frame R33 medium, left 75°, emerald green)	01.01.2012 → 31.12.2012	1
3	1556743-0448	(Frame R33 medium, left 75°, midnight blue)	01.01.2012 → 31.12.2012	1
3	1556743-0449	(Frame R33 medium, left 75°, umber glaze)	01.01.2012 → 31.12.2014	1
3	1556743-0450	(Frame R33 medium, left 75°, smokey grey)	01.01.2012 →	1
3	1556743-0451	(Frame R33 medium, left 75°, flashy yellow)	01.01.2012 →	1
3	1556743-3524	(Frame R33 medium, left 75°, royal red)	01.01.2012 →	1
3	1556743-5969	(Frame R33 medium, left 75°, royal blue)	01.01.2012 →	1
3	1556743-9005	(Frame R33 medium, left 75°, glossy black)	01.01.2012 →	1
4	1556742-0121	(Frame R33 medium, right 75°, black-grey rustico)	01.01.2012 → 31.12.2014	1
4	1556742-0122	(Frame R33 medium, right 75°, golden beach)	01.01.2013 → 31.12.2014	1
4	1556742-0184	(Frame R33 medium, right 75°, mercury blue)	01.01.2015 →	1
4	1556742-0185	(Frame R33 medium, right 75°, dynamite orange)	01.01.2015 →	1
4	1556742-0410	(Frame R33 medium, right 75°, polished)	01.01.2012 →	1
4	1556742-0411	(Frame R33 medium, right 75°, black matt)	01.01.2012 →	1
4	1556742-0419	(Frame R33 medium, right 75°, silver grey)	01.01.2012 →	1
4	1556742-0442	(Frame R33 medium, right 75°, night shimmer)	01.01.2012 →	1
4	1556742-0445	(Frame R33 medium, right 75°, ivory white)	01.01.2012 →	1
4	1556742-0446	(Frame R33 medium, right 75°, purple fire)	01.01.2012 →	1
4	1556742-0447	(Frame R33 medium, right 75°, emerald green)	01.01.2012 → 31.12.2012	1
4	1556742-0448	(Frame R33 medium, right 75°, midnight blue)	01.01.2012 → 31.12.2012	1
4	1556742-0449	(Frame R33 medium, right 75°, umber glaze)	01.01.2012 → 31.12.2014	1
4	1556742-0450	(Frame R33 medium, right 75°, smokey grey)	01.01.2012 →	1
4	1556742-0451	(Frame R33 medium, right 75°, flashy yellow)	01.01.2012 →	1
4	1556742-3524	(Frame R33 medium, right 75°, royal red)	01.01.2012 →	1
4	1556742-5969	(Frame R33 medium, right 75°, royal blue)	01.01.2012 →	1

(Frame 75°)

4	1556742-9005	(Frame R33 medium, right 75°, glossy black)	01.01.2012 →	1
5	1498800-0121	(Frame R33 Std, left 75°, black-grey rustico)	01.01.2012 → 31.12.2014	1
5	1498800-0122	(Frame R33 Std, left 75°, golden beach)	01.01.2013 → 31.12.2014	1
5	1498800-0184	(Frame R33 Std, left 75°, mercury blue)	01.01.2015 →	1
5	1498800-0185	(Frame R33 Std, left 75°, dynamite orange)	01.01.2015 →	1
5	1498800-0410	R33 framedl.75gr li mirror alu ps		1
5	1498800-0411	(Frame R33 Std, left 75°, black matt)	01.07.2010 →	1
5	1498800-0419	R33 framedl 75gr li zilvergrijs ps		1
5	1498800-0442	R33 framedl.75gr li nacht grijs ps		1
5	1498800-0445	(Frame R33 Std, left 75°, ivory white)	01.01.2010 →	1
5	1498800-0446	(Frame R33 Std, left 75°, purple fire)	01.01.2010 →	1
5	1498800-0447	(Frame R33 Std, left 75°, emerald green)	01.01.2010 → 31.12.2012	1
5	1498800-0448	(Frame R33 Std, left 75°, midnight blue)	01.01.2010 → 31.12.2012	1
5	1498800-0449	(Frame R33 Std, left 75°, umber glaze)	01.01.2010 → 31.12.2014	1
5	1498800-0450	(Frame R33 Std, left 75°, smokey grey)	01.01.2010 →	1
5	1498800-0451	(Frame R33 Std, left 75°, flashy yellow)	01.07.2011 →	1
5	1498800-3524	(Frame R33 Std, left 75°, royal red)		1
5	1498800-5969	(Frame R33 Std, left 75°, royal blue)	01.07.2010 →	1
5	1498800-9005	(Frame R33 Std, left 75°, glossy black)		1
6	1498799-0121	(Frame R33 Std, right 75°, black-grey rustico)	01.01.2012 → 31.12.2014	1
6	1498799-0122	(Frame R33 Std, right 75°, golden beach)	01.01.2013 → 31.12.2014	1
6	1498799-0184	(Frame R33 Std, right 75°, mercury blue)	01.01.2015 →	1
6	1498799-0185	(Frame R33 Std, right 75°, dynamite orange)	01.01.2015 →	1
6	1498799-0410	R33 framedl.75gr re mirror alu ps		1
6	1498799-0411	(Frame R33 Std, right 75°, black matt)	01.07.2010 →	1
6	1498799-0419	R33 framedl.75gr re zilvergrijs ps		1
6	1498799-0442	R33 framedl.75gr re nacht grijs ps		1
6	1498799-0445	(Frame R33 Std, right 75°, ivory white)	01.01.2010 →	1
6	1498799-0446	(Frame R33 Std, right 75°, purple fire)	01.01.2010 →	1
6	1498799-0447	(Frame R33 Std, right 75°, emerald green)	01.01.2010 → 31.12.2012	1
6	1498799-0448	(Frame R33 Std, right 75°, midnight blue)	01.01.2010 → 31.12.2012	1
6	1498799-0449	(Frame R33 Std, right 75°, umber glaze)	01.01.2010 → 31.12.2014	1
6	1498799-0450	(Frame R33 Std, right 75°, smokey grey)	01.01.2010 →	1
6	1498799-0451	(Frame R33 Std, right 75°, flashy yellow)	01.07.2011 →	1
6	1498799-3524	(Frame R33 Std, right 75°, royal red)		1
6	1498799-5969	(Frame R33 Std, right 75°, royal blue)	01.07.2010 →	1
6	1498799-9005	(Frame R33 Std, right 75°, glossy black)		1
7	1487961-0004	Kusch balhoofd afdekdop zwart pp		1
7	1487961-0001	(Bearing block cap pair, chrome)	01.07.2011 →	1
7	1487961-0182	(Bearing block cap pair, champagne)	01.01.2013 →	1
7	1487961-0183	(Bearing block cap pair, olive)	01.01.2013 →	1
7	1487961-0400	(Bearing block cap pair, techno-anthrazit)		1
7	1487961-0401	K-Junior balhoofd afdekdop limoen pp	01.01.2007 → 31.12.2012	1
7	1487961-0404	Kusch balhoofd afdekdop b-blauw pp		1
7	1487961-0440	(Bearing block cap pair, comet red)		1
7	1487961-0441	(Bearing block cap pair, arctic blue)		1
8	1451718	K-Serie 2005 voorw.vork lager set (set = 4 stuks)		1

(Frame 75°)

(Frame 90°)



1	1556907-0121	(Frame R33 short, left 90°, black-grey rustico)	01.01.2012 → 31.12.2014	1
1	1556907-0122	(Frame R33 short, left 90°, golden beach)	01.01.2013 → 31.12.2014	1
1	1556907-0184	(Frame R33 short, left 90°, mercury blue)	01.01.2015 →	1
1	1556907-0185	(Frame R33 short, left 90°, dynamite orange)	01.01.2015 →	1
1	1556907-0410	(Frame R33 short, left 90°, polished)	01.01.2012 →	1
1	1556907-0411	(Frame R33 short, left 90°, black matt)	01.01.2012 →	1
1	1556907-0419	(Frame R33 short, left 90°, silver grey)	01.01.2012 →	1
1	1556907-0442	(Frame R33 short, left 90°, night shimmer)	01.01.2012 →	1
1	1556907-0445	(Frame R33 short, left 90°, ivory white)	01.01.2012 →	1
1	1556907-0446	(Frame R33 short, left 90°, purple fire)	01.01.2012 →	1
1	1556907-0447	(Frame R33 short, left 90°, emerald green)	01.01.2012 → 31.12.2012	1
1	1556907-0448	(Frame R33 short, left 90°, midnight blue)	01.01.2012 → 31.12.2012	1
1	1556907-0449	(Frame R33 short, left 90°, umber glaze)	01.01.2012 → 31.12.2014	1
1	1556907-0450	(Frame R33 short, left 90°, smokey grey)	01.01.2012 →	1
1	1556907-0451	(Frame R33 short, left 90°, flashy yellow)	01.01.2012 →	1
1	1556907-3524	(Frame R33 short, left 90°, royal red)	01.01.2012 →	1
1	1556907-5969	(Frame R33 short, left 90°, royal blue)	01.01.2012 →	1
1	1556907-9005	(Frame R33 short, left 90°, glossy black)	01.01.2012 →	1
2	1556906-0121	(Frame R33 short, right 90°, black-grey rustico)	01.01.2012 → 31.12.2014	1
2	1556906-0122	(Frame R33 short, right 90°, golden beach)	01.01.2013 → 31.12.2014	1
2	1556906-0184	(Frame R33 short, right 90°, mercury blue)	01.01.2015 →	1
2	1556906-0185	(Frame R33 short, right 90°, dynamite orange)	01.01.2015 →	1
2	1556906-0410	(Frame R33 short, right 90°, polished)	01.01.2012 →	1
2	1556906-0411	(Frame R33 short, right 90°, black matt)	01.01.2012 →	1
2	1556906-0419	(Frame R33 short, right 90°, silver grey)	01.01.2012 →	1
2	1556906-0442	(Frame R33 short, right 90°, night shimmer)	01.01.2012 →	1

(Frame 90°)

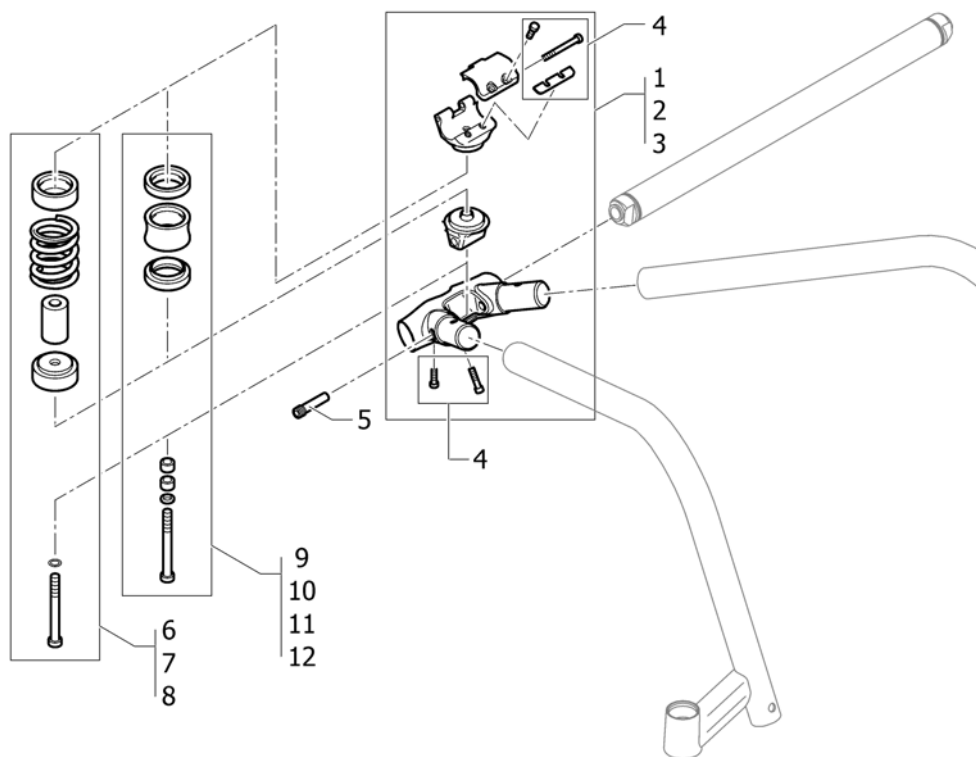
2	1556906-0445	(Frame R33 short, right 90°, ivory white)	01.01.2012 →	1
2	1556906-0446	(Frame R33 short, right 90°, purple fire)	01.01.2012 →	1
2	1556906-0447	(Frame R33 short, right 90°, emerald green)	01.01.2012 → 31.12.2012	1
2	1556906-0448	(Frame R33 short, right 90°, midnight blue)	01.01.2012 → 31.12.2012	1
2	1556906-0449	(Frame R33 short, right 90°, umber glaze)	01.01.2012 → 31.12.2014	1
2	1556906-0450	(Frame R33 short, right 90°, smokey grey)	01.01.2012 →	1
2	1556906-0451	(Frame R33 short, right 90°, flashy yellow)	01.01.2012 →	1
2	1556906-3524	(Frame R33 short, right 90°, royal red)	01.01.2012 →	1
2	1556906-5969	(Frame R33 short, right 90°, royal blue)	01.01.2012 →	1
2	1556906-9005	(Frame R33 short, right 90°, glossy black)	01.01.2012 →	1
3	1556747-0121	(Frame R33 medium, left 90°, black-grey rustico)	01.01.2012 → 31.12.2014	1
3	1556747-0122	(Frame R33 medium, left 90°, golden beach)	01.01.2013 → 31.12.2014	1
3	1556747-0184	(Frame R33 medium, left 90°, mercury blue)	01.01.2015 →	1
3	1556747-0185	(Frame R33 medium, left 90°, dynamite orange)	01.01.2015 →	1
3	1556747-0410	(Frame R33 medium, left 90°, polished)	01.01.2012 →	1
3	1556747-0411	(Frame R33 medium, left 90°, black matt)	01.01.2012 →	1
3	1556747-0419	(Frame R33 medium, left 90°, silver grey)	01.01.2012 →	1
3	1556747-0442	(Frame R33 medium, left 90°, night shimmer)	01.01.2012 →	1
3	1556747-0445	(Frame R33 medium, left 90°, ivory white)	01.01.2012 →	1
3	1556747-0446	(Frame R33 medium, left 90°, purple fire)	01.01.2012 →	1
3	1556747-0447	(Frame R33 medium, left 90°, emerald green)	01.01.2012 → 31.12.2012	1
3	1556747-0448	(Frame R33 medium, left 90°, midnight blue)	01.01.2012 → 31.12.2012	1
3	1556747-0449	(Frame R33 medium, left 90°, umber glaze)	01.01.2012 → 31.12.2014	1
3	1556747-0450	(Frame R33 medium, left 90°, smokey grey)	01.01.2012 →	1
3	1556747-0451	(Frame R33 medium, left 90°, flashy yellow)	01.01.2012 →	1
3	1556747-3524	(Frame R33 medium, left 90°, royal red)	01.01.2012 →	1
3	1556747-5969	(Frame R33 medium, left 90°, royal blue)	01.01.2012 →	1
3	1556747-9005	(Frame R33 medium, left 90°, glossy black)	01.01.2012 →	1
4	1556746-0121	(Frame R33 medium, right 90°, black-grey rustico)	01.01.2012 → 31.12.2014	1
4	1556746-0122	(Frame R33 medium, right 90°, golden beach)	01.01.2013 → 31.12.2014	1
4	1556746-0184	(Frame R33 medium, right 90°, mercury blue)	01.01.2015 →	1
4	1556746-0185	(Frame R33 medium, right 90°, dynamite orange)	01.01.2015 →	1
4	1556746-0410	(Frame R33 medium, right 90°, polished)	01.01.2012 →	1
4	1556746-0411	(Frame R33 medium, right 90°, black matt)	01.01.2012 →	1
4	1556746-0419	(Frame R33 medium, right 90°, silver grey)	01.01.2012 →	1
4	1556746-0442	(Frame R33 medium, right 90°, night shimmer)	01.01.2012 →	1
4	1556746-0445	(Frame R33 medium, right 90°, ivory white)	01.01.2012 →	1
4	1556746-0446	(Frame R33 medium, right 90°, purple fire)	01.01.2012 →	1
4	1556746-0447	(Frame R33 medium, right 90°, emerald green)	01.01.2012 → 31.12.2012	1
4	1556746-0448	(Frame R33 medium, right 90°, midnight blue)	01.01.2012 → 31.12.2012	1
4	1556746-0449	(Frame R33 medium, right 90°, umber glaze)	01.01.2012 → 31.12.2014	1
4	1556746-0450	(Frame R33 medium, right 90°, smokey grey)	01.01.2012 →	1
4	1556746-0451	(Frame R33 medium, right 90°, flashy yellow)	01.01.2012 →	1
4	1556746-3524	(Frame R33 medium, right 90°, royal red)	01.01.2012 →	1
4	1556746-5969	(Frame R33 medium, right 90°, royal blue)	01.01.2012 →	1

(Frame 90°)

4	1556746-9005	(Frame R33 medium, right 90°, glossy black)	01.01.2012 →	1
5	1498802-0121	(Frame R33 Std, left 90°, black-grey rustico)	01.01.2012 → 31.12.2014	1
5	1498802-0122	(Frame R33 Std, left 90°, golden beach)	01.01.2013 → 31.12.2014	1
5	1498802-0184	(Frame R33 Std, left 90°, mercury blue)	01.01.2015 →	1
5	1498802-0185	(Frame R33 Std, left 90°, dynamite orange)	01.01.2015 →	1
5	1498802-0410	(Frame R33 Std, left 90°, polished)		1
5	1498802-0411	(Frame R33 Std, left 90°, black matt)	01.07.2010 →	1
5	1498802-0419	(Frame R33 Std, left 90°, silver grey)		1
5	1498802-0442	(Frame R33 Std, left 90°, night shimmer)		1
5	1498802-0445	(Frame R33 Std, left 90°, ivory white)	01.01.2010 →	1
5	1498802-0446	(Frame R33 Std, left 90°, purple fire)	01.01.2010 →	1
5	1498802-0447	(Frame R33 Std, left 90°, emerald green)	01.01.2010 → 31.12.2012	1
5	1498802-0448	(Frame R33 Std, left 90°, midnight blue)	01.01.2010 → 31.12.2012	1
5	1498802-0449	(Frame R33 Std, left 90°, umber glaze)	01.01.2010 → 31.12.2014	1
5	1498802-0450	(Frame R33 Std, left 90°, smokey grey)	01.01.2010 →	1
5	1498802-0451	(Frame R33 Std, left 90°, flashy yellow)	01.07.2011 →	1
5	1498802-3524	(Frame R33 Std, left 90°, royal red)		1
5	1498802-5969	(Frame R33 Std, left 90°, royal blue)	01.07.2010 →	1
5	1498802-9005	R33 framedl.90gr.li glossy zwart ps		1
6	1498801-0121	(Frame R33 Std, right 90°, black-grey rustico)	01.01.2012 → 31.12.2014	1
6	1498801-0122	(Frame R33 Std, right 90°, golden beach)	01.01.2013 → 31.12.2014	1
6	1498801-0184	(Frame R33 Std, right 90°, mercury blue)	01.01.2015 →	1
6	1498801-0185	(Frame R33 Std, right 90°, dynamite orange)	01.01.2015 →	1
6	1498801-0410	(Frame R33 Std, right 90°, polished)		1
6	1498801-0411	(Frame R33 Std, right 90°, black matt)	01.07.2010 →	1
6	1498801-0419	(Frame R33 Std, right 90°, silver grey)		1
6	1498801-0442	(Frame R33 Std, right 90°, night shimmer)		1
6	1498801-0445	(Frame R33 Std, right 90°, ivory white)	01.01.2010 →	1
6	1498801-0446	(Frame R33 Std, right 90°, purple fire)	01.01.2010 →	1
6	1498801-0447	(Frame R33 Std, right 90°, emerald green)	01.01.2010 → 31.12.2012	1
6	1498801-0448	(Frame R33 Std, right 90°, midnight blue)	01.01.2010 → 31.12.2012	1
6	1498801-0449	(Frame R33 Std, right 90°, umber glaze)	01.01.2010 → 31.12.2014	1
6	1498801-0450	(Frame R33 Std, right 90°, smokey grey)	01.01.2010 →	1
6	1498801-0451	(Frame R33 Std, right 90°, flashy yellow)	01.07.2011 →	1
6	1498801-3524	(Frame R33 Std, right 90°, royal red)		1
6	1498801-5969	(Frame R33 Std, right 90°, royal blue)	01.07.2010 →	1
6	1498801-9005	R33 framedl.90gr.re glossy zwart ps		1
7	1487961-0004	Kusch balhoofd afdekdop zwart pp		1
7	1487961-0001	(Bearing block cap pair, chrome)	01.07.2011 →	1
7	1487961-0182	(Bearing block cap pair, champagne)	01.01.2013 →	1
7	1487961-0183	(Bearing block cap pair, olive)	01.01.2013 →	1
7	1487961-0400	(Bearing block cap pair, techno-anthrazit)		1
7	1487961-0401	K-Junior balhoofd afdekdop limoen pp	01.01.2007 → 31.12.2012	1
7	1487961-0404	Kusch balhoofd afdekdop b-blauw pp		1
7	1487961-0440	(Bearing block cap pair, comet red)		1
7	1487961-0441	(Bearing block cap pair, arctic blue)		1
8	1451718	K-Serie 2005 voorw.vork lager set (set = 4 stuks)		1

(Frame 90°)

(Centerpart)

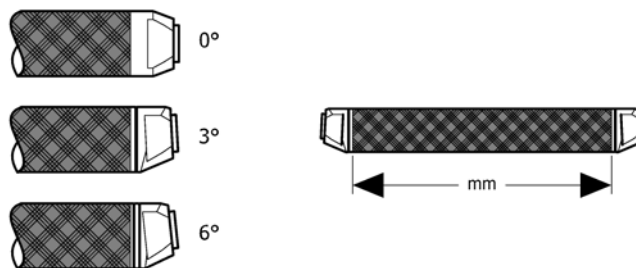
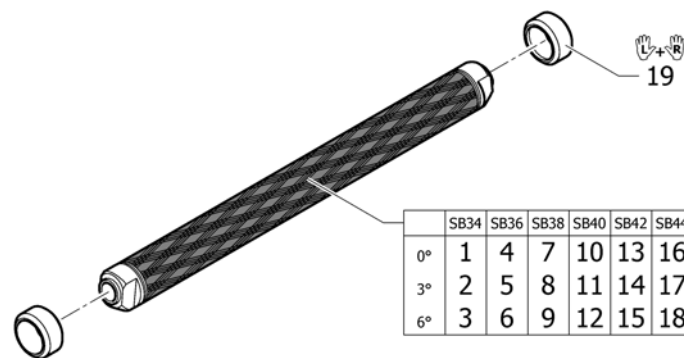


1	1504477-0001	(Centerpart kit SB34-SB36 chrome)	01.07.2011 →	1
1	1504477-0182	(Centerpart kit SB34-SB36 champagne)	01.01.2013 →	1
1	1504477-0183	(Centerpart kit SB34-SB36 olive)	01.01.2013 →	1
1	1504477-0400	(Centerpart kit SB34-SB36 techno)		1
1	1504477-0401	(Centerpart kit SB34-SB36 lemon)	01.01.2007 → 31.12.2012	1
1	1504477-0404	(Centerpart kit SB34-SB36 b-blue)		1
1	1504477-0440	(Centerpart kit SB34-SB36 comet red)		1
1	1504477-0441	(Centerpart kit SB34-SB36 arctic Blue)		1
2	1504478-0001	(Centerpart kit SB38-SB40 chrome)	01.07.2011 →	1
2	1504478-0182	(Centerpart kit SB38-SB40 champagne)	01.01.2013 →	1
2	1504478-0183	(Centerpart kit SB38-SB40 olive)	01.01.2013 →	1
2	1504478-0400	(Centerpart kit SB38-SB40 techno)		1
2	1504478-0401	(Centerpart kit SB38-SB40 lemon)	01.01.2007 → 31.12.2012	1
2	1504478-0404	(Centerpart kit SB38-SB40 b-blue)		1
2	1504478-0440	(Centerpart kit SB38-SB40 comet red)		1
2	1504478-0441	(Centerpart kit SB38-SB40 arctic Blue)		1
3	1504479-0001	(Centerpart kit SB42-SB44 chrome)	01.07.2011 →	1
3	1504479-0182	(Centerpart kit SB42-SB44 champagne)	01.01.2013 →	1
3	1504479-0183	(Centerpart kit SB42-SB44 olive)	01.01.2013 →	1
3	1504479-0400	(Centerpart kit SB42-SB44 techno)		1
3	1504479-0401	(Centerpart kit SB42-SB44 lemon)	01.01.2007 → 31.12.2012	1
3	1504479-0404	(Centerpart kit SB42-SB44 b-blue)		1
3	1504479-0440	(Centerpart kit SB42-SB44 comet red)		1
3	1504479-0441	(Centerpart kit SB42-SB44 arctic Blue)		1
4	1504520	(Fixation kit Centerpart)		1
5	1504521	(Pivot pin pair standard)		1
6	1504570	R33 veer kit <70kg cpl ps		1
7	1504608	R33 veer kit 70-85kg cpl ps		1
8	1504609	(Low impact system kit > 85kg)		1

(Centerpart)

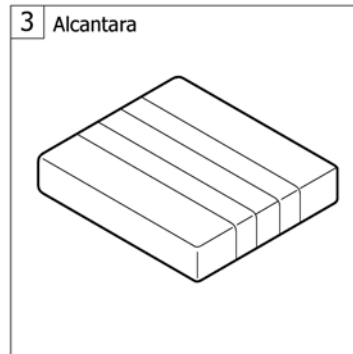
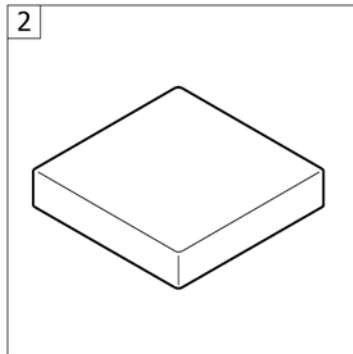
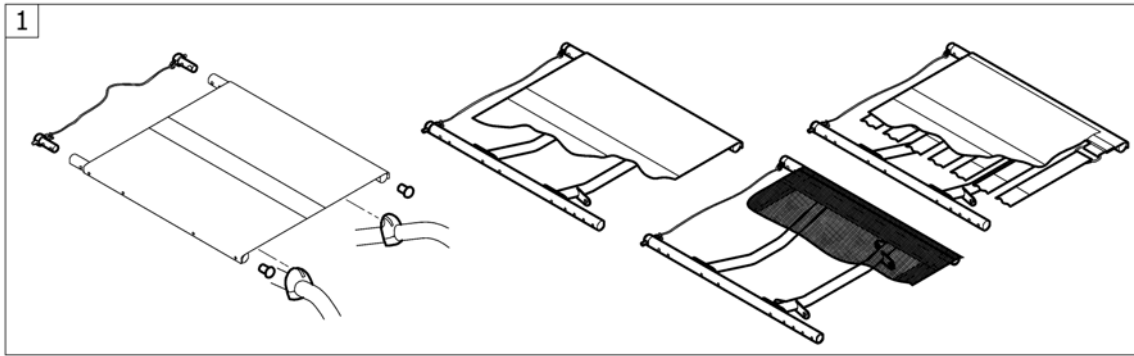
9	1504640	(Vertical Set for fixed seating, S)	1
10	1504641	(Vertical Set for fixed seating, M)	1
11	1504642	(Vertical Set for fixed seating, L)	1
12	1504643	(Vertical Set for fixed seating, XL)	1

(Axle tubes)



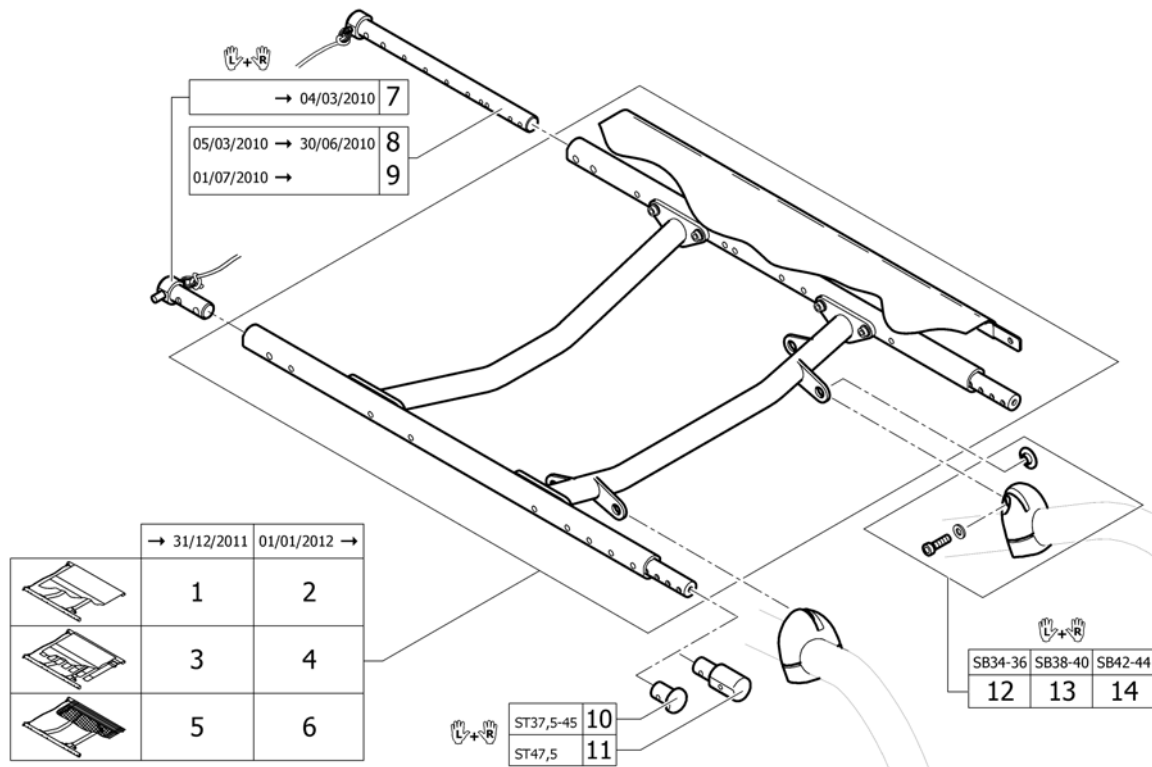
1	1504644	(Axle tube Carbon 0°/318mm)	1
2	1504645	(Axle tube Carbon 3°/344mm)	1
3	1504646	(Axle tube Carbon 6°/374mm)	1
4	1504647	(Axle tube Carbon 0°/338mm)	1
5	1504648	(Axle tube Carbon 3°/364mm)	1
6	1504649	(Axle tube Carbon 6°/394mm)	1
7	1504650	(Axle tube Carbon 0°/358mm)	1
8	1504651	Kusch as 384mm 3 gr.ps carbon cpl	1
9	1504652	(Axle tube Carbon 6°/414mm)	1
10	1504653	(Axle tube Carbon 0°/378mm)	1
11	1504654	R33 ASBUIS CARBON ZB40 CAMBER 3 GRADEN	1
12	1504655	(Axle tube Carbon 6°/434mm)	1
13	1504656	(Axle tube Carbon 0°/398mm)	1
14	1504657	(Axle tube Carbon 3°/424mm)	1
15	1504658	(Axle tube Carbon 6°/454mm)	1
16	1504659	(Axle tube Carbon 0°/418mm)	1
17	1504660	(Axle tube Carbon 3°/444mm)	1
18	1504661	(Axle tube Carbon 6°/474mm)	1
19	1506094	(Axle rings, pair)	1

(SEAT)



1	-	(Seat module)	1
2	-	(Seat cushion standard)	1
3	-	(Seat cushion Alcantara)	1

(Seat module)

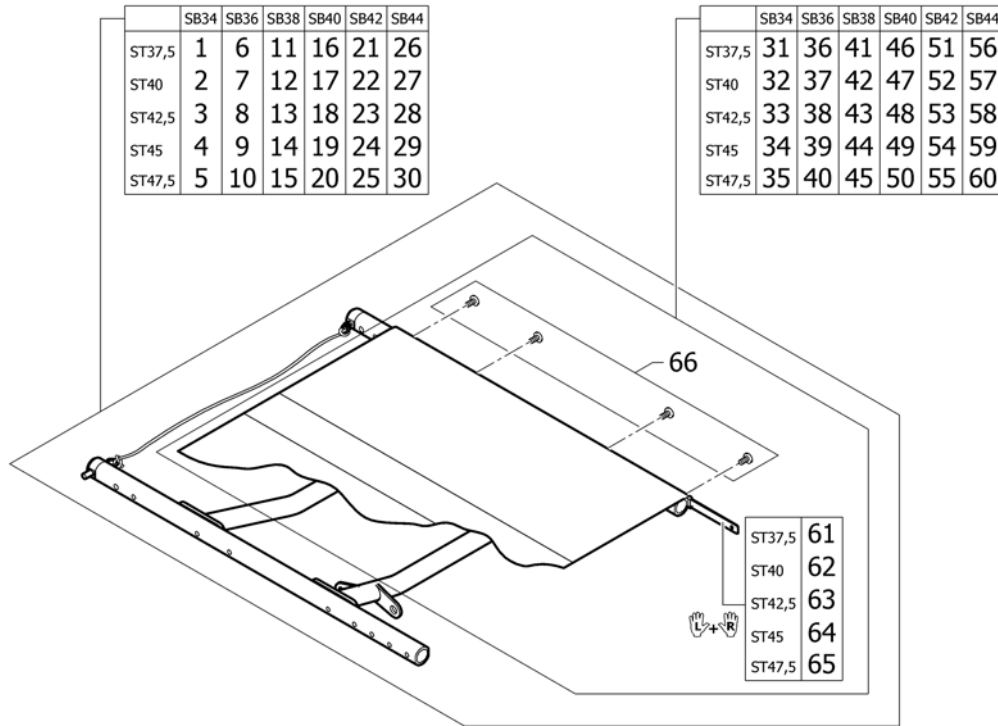


1	-	(Seat frame, cover standard =>31.12.2011)	01.01.2007 → 31.12.2011	1
2	-	(Seat frame, cover standard 01.01.2012=>)	01.01.2012 →	1
3	-	(Seat frame, cover tension adjustable =>31.12.2011)	01.01.2007 → 31.12.2011	1
4	-	(Seat frame, cover tension adjustable 01.01.2012=>)	01.01.2012 →	1
5	-	(Seat frame, cover light =>31.12.2011)	01.07.2011 → 31.12.2011	1
6	-	(Seat frame, cover light 01.01.2012=>)	01.01.2012 →	1
9	1536255	K-Serie 2005 rugontgr.to uw+bev.set lang>2/10cpl	01.07.2010 →	1
10	1486539-0004	Kusch zitbuis afdekdop zwart pp		1
10	1486539-0001	(Seatmodule plug, pair, chrome)	01.07.2011 →	1
10	1486539-0182	(Seatmodule plug, pair, champagne)	01.01.2013 →	1
10	1486539-0183	(Seatmodule plug, pair, olive)	01.01.2013 →	1
10	1486539-0400	(Seatmodule plug, pair, techno-anthrazit)		1
10	1486539-0401	(Seatmodule plug, pair, lemon)	01.01.2007 → 31.12.2012	1
10	1486539-0404	(Seatmodule plug, pair, b-blue)		1
10	1486539-0440	(Seatmodule plug, pair, comet red)		1
10	1486539-0441	(Seatmodule plug, pair, arctic blue)		1
11	1485738-0004	(Seat extension, pair, black)	01.07.2010 → 31.12.2013	1
11	1485738-0001	(Seat extension, pair, chrome)	01.07.2011 → 31.12.2013	1
11	1485738-0182	(Seat extension, pair, champagne)	01.01.2013 → 31.12.2013	1
11	1485738-0183	(Seat extension, pair, olive)	01.01.2013 → 31.12.2013	1
11	1485738-0400	(Seat extension, pair, techno-anthracit)	01.07.2010 → 31.12.2013	1
11	1485738-0404	(Seat extension, pair, b-blue)	01.07.2010 → 31.12.2013	1
11	1485738-0440	(Seat extension, pair, comet red)	01.07.2010 → 31.12.2013	1

(Seat module)

11	1485738-0441	(Seat extension, pair, arctic blue)	01.07.2010 → 31.12.2013	1
12	1504663	(Fixation part seat-to-frame front, pair, SB34/36)		1
13	1504664	(Fixation part seat-to-frame front, pair, SB38/40)		1
14	1504665	(Fixation part seat-to-frame front, pair, SB42/44)		1

(Seat frame, cover standard =>31.12.2011)



1	1504666	(Seat module complete, cover standard SB34 ST37,5)	01.01.2007 → 31.12.2011	1
2	1504667	(Seat module complete, cover standard SB34 ST40)	01.01.2007 → 31.12.2011	1
3	1504668	(Seat module complete, cover standard SB34 ST42,5)	01.01.2007 → 31.12.2011	1
4	1504669	(Seat module complete, cover standard SB34 ST45)	01.01.2007 → 31.12.2011	1
5	1542641	(Seat module complete, cover standard SB34 ST47,5)	01.07.2010 → 31.12.2011	1
6	1504670	(Seat module complete, cover standard SB36 ST37,5)	01.01.2007 → 31.12.2011	1
7	1504671	(Seat module complete, cover standard SB36 ST40)	01.01.2007 → 31.12.2011	1
8	1504672	(Seat module complete, cover standard SB36 ST42,5)	01.01.2007 → 31.12.2011	1
9	1504673	(Seat module complete, cover standard SB36 ST45)	01.01.2007 → 31.12.2011	1
10	1542642	(Seat module complete, cover standard SB36 ST47,5)	01.07.2010 → 31.12.2011	1
11	1504674	(Seat module complete, cover standard SB38 ST37,5)	01.01.2007 → 31.12.2011	1
12	1504675	(Seat module complete, cover standard SB38 ST40)	01.01.2007 → 31.12.2011	1
13	1504676	(Seat module complete, cover standard SB38 ST42,5)	01.01.2007 → 31.12.2011	1
14	1504677	(Seat module complete, cover standard SB38 ST45)	01.01.2007 → 31.12.2011	1
15	1542643	(Seat module complete, cover standard SB38 ST47,5)	01.07.2010 → 31.12.2011	1
16	1504678	(Seat module complete, cover standard SB40 ST37,5)	01.01.2007 → 31.12.2011	1
17	1504679	(Seat module complete, cover standard SB40 ST40)	01.01.2007 → 31.12.2011	1
18	1504680	(Seat module complete, cover standard SB40 ST42,5)	01.01.2007 → 31.12.2011	1

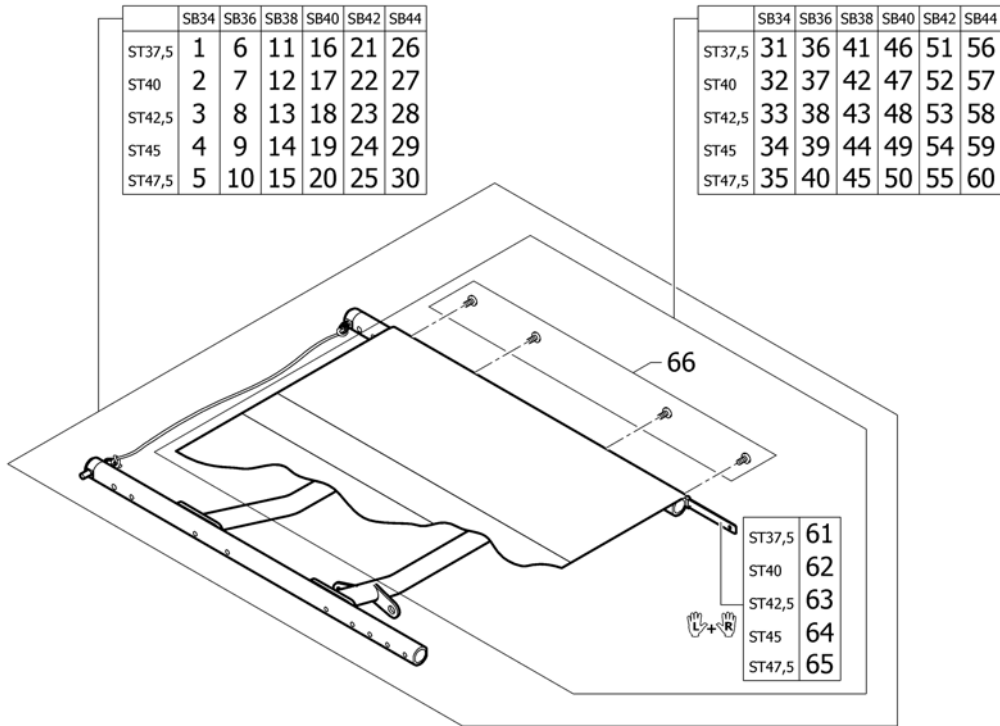
(Seat frame, cover standard =>31.12.2011)

19	1504681	(Seat module complete, cover standard SB40 ST45)	01.01.2007 → 31.12.2011	1
20	1542644	(Seat module complete, cover standard SB40 ST47,5)	01.07.2010 → 31.12.2011	1
21	1504682	(Seat module complete, cover standard SB42 ST37,5)	01.01.2007 → 31.12.2011	1
22	1504683	(Seat module complete, cover standard SB42 ST40)	01.01.2007 → 31.12.2011	1
23	1504684	(Seat module complete, cover standard SB42 ST42,5)	01.01.2007 → 31.12.2011	1
24	1504685	(Seat module complete, cover standard SB42 ST45)	01.01.2007 → 31.12.2011	1
25	1542645	(Seat module complete, cover standard SB42 ST47,5)	01.07.2010 → 31.12.2011	1
26	1504686	(Seat module complete, cover standard SB44 ST37,5)	01.01.2007 → 31.12.2011	1
27	1504687	(Seat module complete, cover standard SB44 ST40)	01.01.2007 → 31.12.2011	1
28	1504688	(Seat module complete, cover standard SB44 ST42,5)	01.01.2007 → 31.12.2011	1
29	1504710	(Seat module complete, cover standard SB44 ST45)	01.01.2007 → 31.12.2011	1
30	1542646	(Seat module complete, cover standard SB44 ST47,5)	01.07.2010 → 31.12.2011	1
31	1505103	(Seat cover standard, kit complete, SB34 ST37,5)	01.01.2007 → 31.12.2011	1
32	1505104	(Seat cover standard, kit complete, SB34 ST40)	01.01.2007 → 31.12.2011	1
33	1505105	(Seat cover standard, kit complete, SB34 ST42,5)	01.01.2007 → 31.12.2011	1
34	1505106	(Seat cover standard, kit complete, SB34 ST45)	01.01.2007 → 31.12.2011	1
35	1542647	(Seat cover standard, kit complete, SB34 ST47,5)	01.07.2010 → 31.12.2011	1
36	1505107	(Seat cover standard, kit complete, SB36 ST37,5)	01.01.2007 → 31.12.2011	1
37	1505108	(Seat cover standard, kit complete, SB36 ST40)	01.01.2007 → 31.12.2011	1
38	1505109	(Seat cover standard, kit complete, SB36 ST42,5)	01.01.2007 → 31.12.2011	1
39	1505110	(Seat cover standard, kit complete, SB36 ST45)	01.01.2007 → 31.12.2011	1
40	1542648	(Seat cover standard, kit complete, SB36 ST47,5)	01.07.2010 → 31.12.2011	1
41	1505111	(Seat cover standard, kit complete, SB38 ST37,5)	01.01.2007 → 31.12.2011	1
42	1505112	(Seat cover standard, kit complete, SB38 ST40)	01.01.2007 → 31.12.2011	1
43	1505113	(Seat cover standard, kit complete, SB38 ST42,5)	01.01.2007 → 31.12.2011	1
44	1505114	(Seat cover standard, kit complete, SB38 ST45)	01.01.2007 → 31.12.2011	1
45	1542649	(Seat cover standard, kit complete, SB38 ST47,5)	01.07.2010 → 31.12.2011	1
46	1505115	(Seat cover standard, kit complete, SB40 ST37,5)	01.01.2007 → 31.12.2011	1
47	1505116	(Seat cover standard, kit complete, SB40 ST40)	01.01.2007 → 31.12.2011	1
48	1505117	(Seat cover standard, kit complete, SB40 ST42,5)	01.01.2007 → 31.12.2011	1
49	1505118	(Seat cover standard, kit complete, SB40 ST45)	01.01.2007 → 31.12.2011	1

(Seat frame, cover standard =>31.12.2011)

50	1542650	(Seat cover standard, kit complete, SB40 ST47,5)	01.07.2010 → 31.12.2011	1
51	1505119	(Seat cover standard, kit complete, SB42 ST37,5)	01.01.2007 → 31.12.2011	1
52	1505120	(Seat cover standard, kit complete, SB42 ST40)	01.01.2007 → 31.12.2011	1
53	1505121	(Seat cover standard, kit complete, SB42 ST42,5)	01.01.2007 → 31.12.2011	1
54	1505122	(Seat cover standard, kit complete, SB42 ST45)	01.01.2007 → 31.12.2011	1
55	1542651	(Seat cover standard, kit complete, SB42 ST47,5)	01.07.2010 → 31.12.2011	1
56	1505123	(Seat cover standard, kit complete, SB44 ST37,5)	01.01.2007 → 31.12.2011	1
57	1505124	(Seat cover standard, kit complete, SB44 ST40)	01.01.2007 → 31.12.2011	1
58	1505125	(Seat cover standard, kit complete, SB44 ST42,5)	01.01.2007 → 31.12.2011	1
59	1505126	(Seat cover standard, kit complete, SB44 ST45)	01.01.2007 → 31.12.2011	1
60	1542652	(Seat cover standard, kit complete, SB44 ST47,5)	01.07.2010 → 31.12.2011	1
61	1579366	(Seat rail kit SD37,5, pair)	01.01.2007 → 31.12.2011	1
62	1579367	(Seat rail kit SD40, pair)	01.01.2007 → 31.12.2011	1
63	1579368	(Seat rail kit SD42,5, pair)	01.01.2007 → 31.12.2011	1
64	1579369	(Seat rail kit SD45, pair)	01.01.2007 → 31.12.2011	1
65	1579370	(Seat rail kit SD47,5, pair)	01.07.2010 → 31.12.2011	1
66	1579375	(Fixation kit seat cover)	01.01.2007 → 31.12.2011	1

(Seat frame, cover standard 01.01.2012=>)

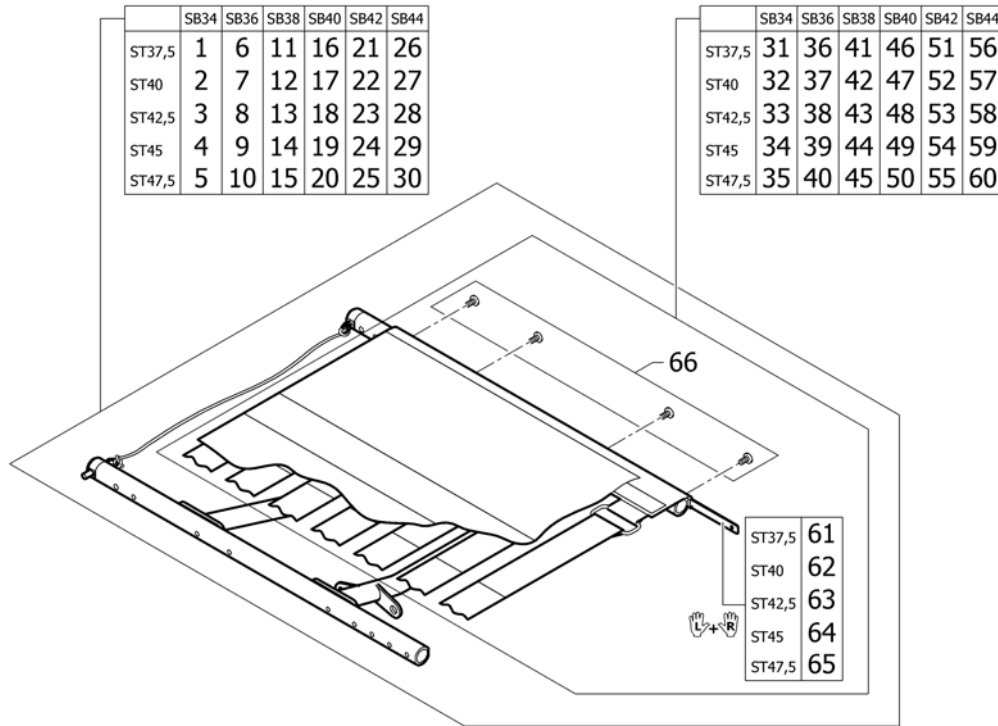


1	1579380	(Seat module complete, cover standard SB34 ST37,5)		1
2	1579381	(Seat module complete, cover standard SB34 ST40)		1
3	1579382	(Seat module complete, cover standard SB34 ST42,5)		1
4	1579383	(Seat module complete, cover standard SB34 ST45)		1
5	1579384	(Seat module complete, cover standard SB34 ST47,5)	01.01.2012 → 31.12.2013	1
6	1579385	(Seat module complete, cover standard SB36 ST37,5)		1
7	1579386	(Seat module complete, cover standard SB36 ST40)		1
8	1579387	(Seat module complete, cover standard SB36 ST42,5)		1
9	1579388	(Seat module complete, cover standard SB36 ST45)		1
10	1579389	(Seat module complete, cover standard SB36 ST47,5)	01.01.2012 → 31.12.2013	1
11	1579390	(Seat module complete, cover standard SB38 ST37,5)		1
12	1579391	(Seat module complete, cover standard SB38 ST40)		1
13	1579392	(Seat module complete, cover standard SB38 ST42,5)		1
14	1579393	(Seat module complete, cover standard SB38 ST45)		1
15	1579394	(Seat module complete, cover standard SB38 ST47,5)	01.01.2012 → 31.12.2013	1
16	1579395	(Seat module complete, cover standard SB40 ST37,5)		1
17	1579396	(Seat module complete, cover standard SB40 ST40)		1
18	1579397	(Seat module complete, cover standard SB40 ST42,5)		1
19	1579398	(Seat module complete, cover standard SB40 ST45)		1
20	1579399	(Seat module complete, cover standard SB40 ST47,5)	01.01.2012 → 31.12.2013	1
21	1579400	(Seat module complete, cover standard SB42 ST37,5)		1
22	1579401	(Seat module complete, cover standard SB42 ST40)		1
23	1579402	(Seat module complete, cover standard SB42 ST42,5)		1
24	1579403	(Seat module complete, cover standard SB42 ST45)		1
25	1579404	(Seat module complete, cover standard SB42 ST47,5)	01.01.2012 → 31.12.2013	1
26	1579405	(Seat module complete, cover standard SB44 ST37,5)		1
27	1579406	(Seat module complete, cover standard SB44 ST40)		1
28	1579407	(Seat module complete, cover standard SB44 ST42,5)		1

(Seat frame, cover standard 01.01.2012=>)

29	1579408	(Seat module complete, cover standard SB44 ST45)		1
30	1579409	(Seat module complete, cover standard SB44 ST47,5)	01.01.2012 → 31.12.2013	1
31	1505103	(Seat cover standard, kit complete, SB34 ST37,5)		1
32	1505104	(Seat cover standard, kit complete, SB34 ST40)		1
33	1505105	(Seat cover standard, kit complete, SB34 ST42,5)		1
34	1505106	(Seat cover standard, kit complete, SB34 ST45)		1
35	1542647	(Seat cover standard, kit complete, SB34 ST47,5)	01.01.2012 → 31.12.2013	1
36	1505107	(Seat cover standard, kit complete, SB36 ST37,5)		1
37	1505108	(Seat cover standard, kit complete, SB36 ST40)		1
38	1505109	(Seat cover standard, kit complete, SB36 ST42,5)		1
39	1505110	(Seat cover standard, kit complete, SB36 ST45)		1
40	1542648	(Seat cover standard, kit complete, SB36 ST47,5)	01.01.2012 → 31.12.2013	1
41	1505111	(Seat cover standard, kit complete, SB38 ST37,5)		1
42	1505112	(Seat cover standard, kit complete, SB38 ST40)		1
43	1505113	(Seat cover standard, kit complete, SB38 ST42,5)		1
44	1505114	(Seat cover standard, kit complete, SB38 ST45)		1
45	1542649	(Seat cover standard, kit complete, SB38 ST47,5)	01.01.2012 → 31.12.2013	1
46	1505115	(Seat cover standard, kit complete, SB40 ST37,5)		1
47	1505116	(Seat cover standard, kit complete, SB40 ST40)		1
48	1505117	(Seat cover standard, kit complete, SB40 ST42,5)		1
49	1505118	(Seat cover standard, kit complete, SB40 ST45)		1
50	1542650	(Seat cover standard, kit complete, SB40 ST47,5)	01.01.2012 → 31.12.2013	1
51	1505119	(Seat cover standard, kit complete, SB42 ST37,5)		1
52	1505120	(Seat cover standard, kit complete, SB42 ST40)		1
53	1505121	(Seat cover standard, kit complete, SB42 ST42,5)		1
54	1505122	(Seat cover standard, kit complete, SB42 ST45)		1
55	1542651	(Seat cover standard, kit complete, SB42 ST47,5)	01.01.2012 → 31.12.2013	1
56	1505123	(Seat cover standard, kit complete, SB44 ST37,5)		1
57	1505124	(Seat cover standard, kit complete, SB44 ST40)		1
58	1505125	(Seat cover standard, kit complete, SB44 ST42,5)		1
59	1505126	(Seat cover standard, kit complete, SB44 ST45)		1
60	1542652	(Seat cover standard, kit complete, SB44 ST47,5)	01.01.2012 → 31.12.2013	1
61	1579366	(Seat rail kit SD37,5, pair)		1
62	1579367	(Seat rail kit SD40, pair)		1
63	1579368	(Seat rail kit SD42,5, pair)		1
64	1579369	(Seat rail kit SD45, pair)		1
65	1579370	(Seat rail kit SD47,5, pair)	01.01.2012 → 31.12.2013	1
66	1579375	(Fixation kit seat cover)		1

(Seat frame, cover tension adjustable =>31.12.2011)



1	1504711	(Seat module complete, cover tension adjustable SB34 ST37,5)	01.01.2007 → 31.12.2011	1
2	1504712	(Seat module complete, cover tension adjustable SB34 ST40)	01.01.2007 → 31.12.2011	1
3	1504713	(Seat module complete, cover tension adjustable SB34 ST42,5)	01.01.2007 → 31.12.2011	1
4	1504714	(Seat module complete, cover tension adjustable SB34 ST45)	01.01.2007 → 31.12.2011	1
5	1542659	(Seat module complete, cover tension adjustable SB34 ST47,5)	01.07.2010 → 31.12.2011	1
6	1504978	(Seat module complete, cover tension adjustable SB36 ST37,5)	01.01.2007 → 31.12.2011	1
7	1504979	(Seat module complete, cover tension adjustable SB36 ST40)	01.01.2007 → 31.12.2011	1
8	1504980	(Seat module complete, cover tension adjustable SB36 ST42,5)	01.01.2007 → 31.12.2011	1
9	1504981	(Seat module complete, cover tension adjustable SB36 ST45)	01.01.2007 → 31.12.2011	1
10	1542660	(Seat module complete, cover tension adjustable SB36 ST47,5)	01.07.2010 → 31.12.2011	1
11	1505042	(Seat module complete, cover tension adjustable SB38 ST37,5)	01.01.2007 → 31.12.2011	1
12	1505043	(Seat module complete, cover tension adjustable SB38 ST40)	01.01.2007 → 31.12.2011	1
13	1505044	(Seat module complete, cover tension adjustable SB38 ST42,5)	01.01.2007 → 31.12.2011	1
14	1505045	(Seat module complete, cover tension adjustable SB38 ST45)	01.01.2007 → 31.12.2011	1
15	1542661	(Seat module complete, cover tension adjustable SB38 ST47,5)	01.07.2010 → 31.12.2011	1
16	1505091	(Seat module complete, cover tension adjustable SB40 ST37,5)	01.01.2007 → 31.12.2011	1
17	1505092	(Seat module complete, cover tension adjustable SB40 ST40)	01.01.2007 → 31.12.2011	1
18	1505093	(Seat module complete, cover tension adjustable SB40 ST42,5)	01.01.2007 → 31.12.2011	1

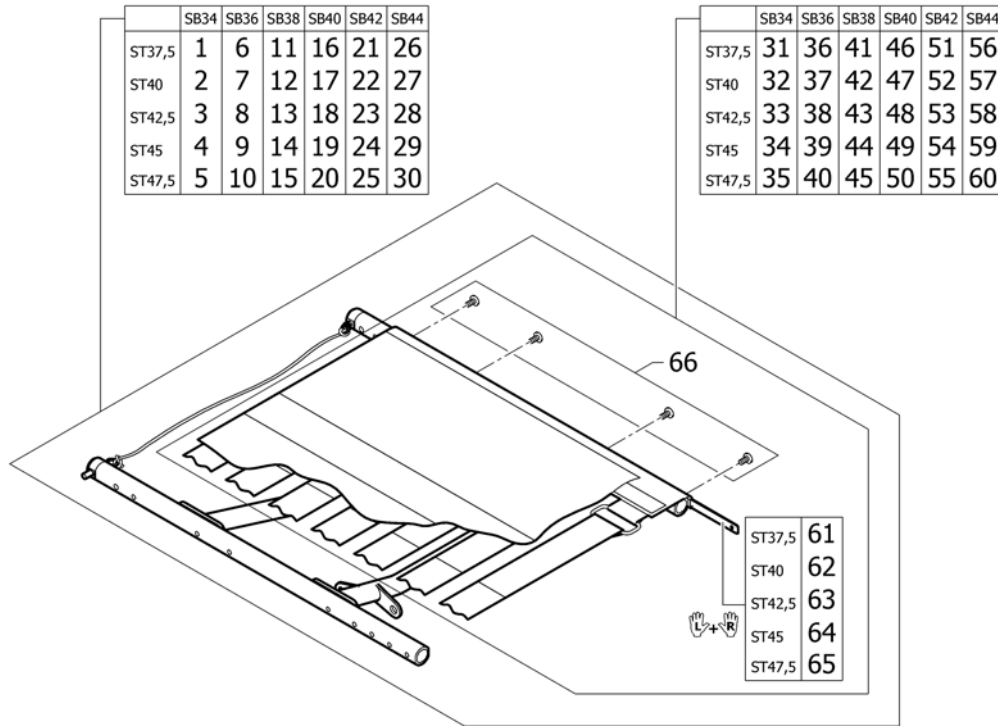
(Seat frame, cover tension adjustable =>31.12.2011)

19	1505094	(Seat module complete, cover tension adjustable SB40 ST45)	01.01.2007 → 31.12.2011	1
20	1542662	(Seat module complete, cover tension adjustable SB40 ST47,5)	01.07.2010 → 31.12.2011	1
21	1505095	(Seat module complete, cover tension adjustable SB42 ST37,5)	01.01.2007 → 31.12.2011	1
22	1505096	(Seat module complete, cover tension adjustable SB42 ST40)	01.01.2007 → 31.12.2011	1
23	1505097	(Seat module complete, cover tension adjustable SB42 ST42,5)	01.01.2007 → 31.12.2011	1
24	1505098	(Seat module complete, cover tension adjustable SB42 ST45)	01.01.2007 → 31.12.2011	1
25	1542663	(Seat module complete, cover tension adjustable SB42 ST47,5)	01.07.2010 → 31.12.2011	1
26	1505099	(Seat module complete, cover tension adjustable SB44 ST37,5)	01.01.2007 → 31.12.2011	1
27	1505100	(Seat module complete, cover tension adjustable SB44 ST40)	01.01.2007 → 31.12.2011	1
28	1505101	(Seat module complete, cover tension adjustable SB44 ST42,5)	01.01.2007 → 31.12.2011	1
29	1505102	(Seat module complete, cover tension adjustable SB44 ST45)	01.01.2007 → 31.12.2011	1
30	1542664	(Seat module complete, cover tension adjustable SB44 ST47,5)	01.07.2010 → 31.12.2011	1
31	1505127	(Seat cover tension adjustable, kit complete, SB34 ST37,5)	01.01.2007 → 31.12.2011	1
32	1505128	(Seat cover tension adjustable, kit complete, SB34 ST40)	01.01.2007 → 31.12.2011	1
33	1505129	(Seat cover tension adjustable, kit complete, SB34 ST42,5)	01.01.2007 → 31.12.2011	1
34	1505130	(Seat cover tension adjustable, kit complete, SB34 ST45)	01.01.2007 → 31.12.2011	1
35	1542653	(Seat cover tension adjustable, kit complete, SB34 ST47,5)	01.07.2010 → 31.12.2011	1
36	1505131	(Seat cover tension adjustable, kit complete, SB36 ST37,5)	01.01.2007 → 31.12.2011	1
37	1505132	(Seat cover tension adjustable, kit complete, SB36 ST40)	01.01.2007 → 31.12.2011	1
38	1505133	(Seat cover tension adjustable, kit complete, SB36 ST42,5)	01.01.2007 → 31.12.2011	1
39	1505134	(Seat cover tension adjustable, kit complete, SB36 ST45)	01.01.2007 → 31.12.2011	1
40	1542654	(Seat cover tension adjustable, kit complete, SB36 ST47,5)	01.07.2010 → 31.12.2011	1
41	1505322	(Seat cover tension adjustable, kit complete, SB38 ST37,5)	01.01.2007 → 31.12.2011	1
42	1505323	(Seat cover tension adjustable, kit complete, SB38 ST40)	01.01.2007 → 31.12.2011	1
43	1505324	(Seat cover tension adjustable, kit complete, SB38 ST42,5)	01.01.2007 → 31.12.2011	1
44	1505325	(Seat cover tension adjustable, kit complete, SB38 ST45)	01.01.2007 → 31.12.2011	1
45	1542655	(Seat cover tension adjustable, kit complete, SB38 ST47,5)	01.07.2010 → 31.12.2011	1
46	1505326	(Seat cover tension adjustable, kit complete, SB40 ST37,5)	01.01.2007 → 31.12.2011	1
47	1505327	(Seat cover tension adjustable, kit complete, SB40 ST40)	01.01.2007 → 31.12.2011	1
48	1505342	(Seat cover tension adjustable, kit complete, SB40 ST42,5)	01.01.2007 → 31.12.2011	1
49	1505343	(Seat cover tension adjustable, kit complete, SB40 ST45)	01.01.2007 → 31.12.2011	1

(Seat frame, cover tension adjustable =>31.12.2011)

50	1542656	(Seat cover tension adjustable, kit complete, SB40 ST47,5)	01.07.2010 → 31.12.2011	1
51	1505344	(Seat cover tension adjustable, kit complete, SB42 ST37,5)	01.01.2007 → 31.12.2011	1
52	1505345	(Seat cover tension adjustable, kit complete, SB42 ST40)	01.01.2007 → 31.12.2011	1
53	1505346	(Seat cover tension adjustable, kit complete, SB42 ST42,5)	01.01.2007 → 31.12.2011	1
54	1505347	(Seat cover tension adjustable, kit complete, SB42 ST45)	01.01.2007 → 31.12.2011	1
55	1542657	(Seat cover tension adjustable, kit complete, SB42 ST47,5)	01.07.2010 → 31.12.2011	1
56	1505348	(Seat cover tension adjustable, kit complete, SB44 ST37,5)	01.01.2007 → 31.12.2011	1
57	1505349	(Seat cover tension adjustable, kit complete, SB44 ST40)	01.01.2007 → 31.12.2011	1
58	1505350	(Seat cover tension adjustable, kit complete, SB44 ST42,5)	01.01.2007 → 31.12.2011	1
59	1505351	(Seat cover tension adjustable, kit complete, SB44 ST45)	01.01.2007 → 31.12.2011	1
60	1542658	(Seat cover tension adjustable, kit complete, SB44 ST47,5)	01.07.2010 → 31.12.2011	1
61	1579366	(Seat rail kit SD37,5, pair)	01.01.2007 → 31.12.2011	1
62	1579367	(Seat rail kit SD40, pair)	01.01.2007 → 31.12.2011	1
63	1579368	(Seat rail kit SD42,5, pair)	01.01.2007 → 31.12.2011	1
64	1579369	(Seat rail kit SD45, pair)	01.01.2007 → 31.12.2011	1
65	1579370	(Seat rail kit SD47,5, pair)	01.07.2010 → 31.12.2011	1
66	1579375	(Fixation kit seat cover)	01.01.2007 → 31.12.2011	1

(Seat frame, cover tension adjustable 01.01.2012=>)

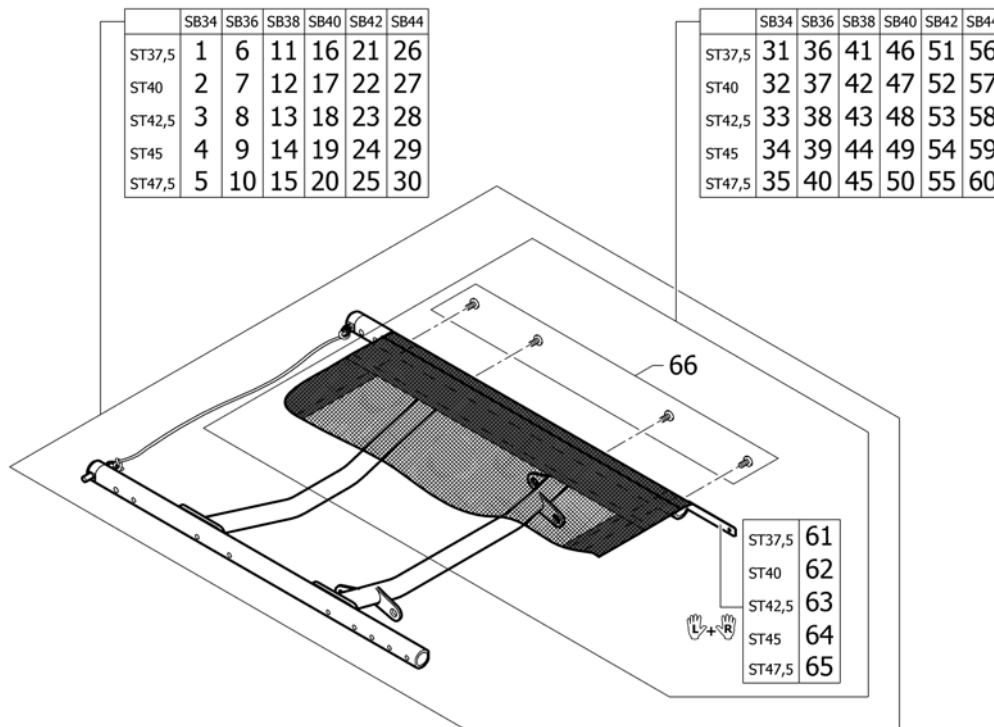


1	1579410	(Seat module complete, cover tension adjustable SB34 ST37,5)		1
2	1579411	(Seat module complete, cover tension adjustable SB34 ST40)		1
3	1579412	(Seat module complete, cover tension adjustable SB34 ST42,5)		1
4	1579413	(Seat module complete, cover tension adjustable SB34 ST45)		1
5	1579414	(Seat module complete, cover tension adjustable SB34 ST47,5)	01.01.2012 → 31.12.2013	1
6	1579415	(Seat module complete, cover tension adjustable SB36 ST37,5)		1
7	1579416	(Seat module complete, cover tension adjustable SB36 ST40)		1
8	1579417	(Seat module complete, cover tension adjustable SB36 ST42,5)		1
9	1579418	(Seat module complete, cover tension adjustable SB36 ST45)		1
10	1579419	(Seat module complete, cover tension adjustable SB36 ST47,5)	01.01.2012 → 31.12.2013	1
11	1579420	(Seat module complete, cover tension adjustable SB38 ST37,5)		1
12	1579442	(Seat module complete, cover tension adjustable SB38 ST40)		1
13	1579443	(Seat module complete, cover tension adjustable SB38 ST42,5)		1
14	1579444	(Seat module complete, cover tension adjustable SB38 ST45)		1
15	1579482	(Seat module complete, cover tension adjustable SB38 ST47,5)	01.01.2012 → 31.12.2013	1
16	1579483	(Seat module complete, cover tension adjustable SB40 ST37,5)		1
17	1579484	(Seat module complete, cover tension adjustable SB40 ST40)		1
18	1579485	(Seat module complete, cover tension adjustable SB40 ST42,5)		1
19	1579486	(Seat module complete, cover tension adjustable SB40 ST45)		1
20	1579487	(Seat module complete, cover tension adjustable SB40 ST47,5)	01.01.2012 → 31.12.2013	1
21	1579488	(Seat module complete, cover tension adjustable SB42 ST37,5)		1
22	1579489	(Seat module complete, cover tension adjustable SB42 ST40)		1
23	1579490	(Seat module complete, cover tension adjustable SB42 ST42,5)		1
24	1579491	(Seat module complete, cover tension adjustable SB42 ST45)		1
25	1579492	(Seat module complete, cover tension adjustable SB42 ST47,5)	01.01.2012 → 31.12.2013	1
26	1579493	(Seat module complete, cover tension adjustable SB44 ST37,5)		1
27	1579676	(Seat module complete, cover tension adjustable SB44 ST40)		1
28	1579677	(Seat module complete, cover tension adjustable SB44 ST42,5)		1

(Seat frame, cover tension adjustable 01.01.2012=>)

29	1579678	(Seat module complete, cover tension adjustable SB44 ST45)		1
30	1579679	(Seat module complete, cover tension adjustable SB44 ST47,5)	01.01.2012 → 31.12.2013	1
31	1505127	(Seat cover tension adjustable, kit complete, SB34 ST37,5)		1
32	1505128	(Seat cover tension adjustable, kit complete, SB34 ST40)		1
33	1505129	(Seat cover tension adjustable, kit complete, SB34 ST42,5)		1
34	1505130	(Seat cover tension adjustable, kit complete, SB34 ST45)		1
35	1542653	(Seat cover tension adjustable, kit complete, SB34 ST47,5)	01.01.2012 → 31.12.2013	1
36	1505131	(Seat cover tension adjustable, kit complete, SB36 ST37,5)		1
37	1505132	(Seat cover tension adjustable, kit complete, SB36 ST40)		1
38	1505133	(Seat cover tension adjustable, kit complete, SB36 ST42,5)		1
39	1505134	(Seat cover tension adjustable, kit complete, SB36 ST45)		1
40	1542654	(Seat cover tension adjustable, kit complete, SB36 ST47,5)	01.01.2012 → 31.12.2013	1
41	1505322	(Seat cover tension adjustable, kit complete, SB38 ST37,5)		1
42	1505323	(Seat cover tension adjustable, kit complete, SB38 ST40)		1
43	1505324	(Seat cover tension adjustable, kit complete, SB38 ST42,5)		1
44	1505325	(Seat cover tension adjustable, kit complete, SB38 ST45)		1
45	1542655	(Seat cover tension adjustable, kit complete, SB38 ST47,5)	01.01.2012 → 31.12.2013	1
46	1505326	(Seat cover tension adjustable, kit complete, SB40 ST37,5)		1
47	1505327	(Seat cover tension adjustable, kit complete, SB40 ST40)		1
48	1505342	(Seat cover tension adjustable, kit complete, SB40 ST42,5)		1
49	1505343	(Seat cover tension adjustable, kit complete, SB40 ST45)		1
50	1542656	(Seat cover tension adjustable, kit complete, SB40 ST47,5)	01.01.2012 → 31.12.2013	1
51	1505344	(Seat cover tension adjustable, kit complete, SB42 ST37,5)		1
52	1505345	(Seat cover tension adjustable, kit complete, SB42 ST40)		1
53	1505346	(Seat cover tension adjustable, kit complete, SB42 ST42,5)		1
54	1505347	(Seat cover tension adjustable, kit complete, SB42 ST45)		1
55	1542657	(Seat cover tension adjustable, kit complete, SB42 ST47,5)	01.01.2012 → 31.12.2013	1
56	1505348	(Seat cover tension adjustable, kit complete, SB44 ST37,5)		1
57	1505349	(Seat cover tension adjustable, kit complete, SB44 ST40)		1
58	1505350	(Seat cover tension adjustable, kit complete, SB44 ST42,5)		1
59	1505351	(Seat cover tension adjustable, kit complete, SB44 ST45)		1
60	1542658	(Seat cover tension adjustable, kit complete, SB44 ST47,5)	01.01.2012 → 31.12.2013	1
61	1579366	(Seat rail kit SD37,5, pair)		1
62	1579367	(Seat rail kit SD40, pair)		1
63	1579368	(Seat rail kit SD42,5, pair)		1
64	1579369	(Seat rail kit SD45, pair)		1
65	1579370	(Seat rail kit SD47,5, pair)	01.01.2012 → 31.12.2013	1
66	1579375	(Fixation kit seat cover)		1

(Seat frame, cover light =>31.12.2011)



1	1579336	(Seat module complete, cover light SB34 ST37,5)	01.01.2007 → 31.12.2011	1
2	1579337	(Seat module complete, cover light SB34 ST40)	01.01.2007 → 31.12.2011	1
3	1579338	(Seat module complete, cover light SB34 ST42,5)	01.01.2007 → 31.12.2011	1
4	1579339	(Seat module complete, cover light SB34 ST45)	01.01.2007 → 31.12.2011	1
5	1579340	(Seat module complete, cover light SB34 ST47,5)	01.07.2010 → 31.12.2011	1
6	1579341	(Seat module complete, cover light SB36 ST37,5)	01.01.2007 → 31.12.2011	1
7	1579342	(Seat module complete, cover light SB36 ST40)	01.01.2007 → 31.12.2011	1
8	1579343	(Seat module complete, cover light SB36 ST42,5)	01.01.2007 → 31.12.2011	1
9	1579344	(Seat module complete, cover light SB36 ST45)	01.01.2007 → 31.12.2011	1
10	1579345	(Seat module complete, cover light SB36 ST47,5)	01.07.2010 → 31.12.2011	1
11	1579346	(Seat module complete, cover light SB38 ST37,5)	01.01.2007 → 31.12.2011	1
12	1579347	(Seat module complete, cover light SB38 ST40)	01.01.2007 → 31.12.2011	1
13	1579348	(Seat module complete, cover light SB38 ST42,5)	01.01.2007 → 31.12.2011	1
14	1579349	(Seat module complete, cover light SB38 ST45)	01.01.2007 → 31.12.2011	1
15	1579350	(Seat module complete, cover light SB38 ST47,5)	01.07.2010 → 31.12.2011	1
16	1579351	(Seat module complete, cover light SB40 ST37,5)	01.01.2007 → 31.12.2011	1
17	1579352	(Seat module complete, cover light SB40 ST40)	01.01.2007 → 31.12.2011	1
18	1579353	(Seat module complete, cover light SB40 ST42,5)	01.01.2007 → 31.12.2011	1

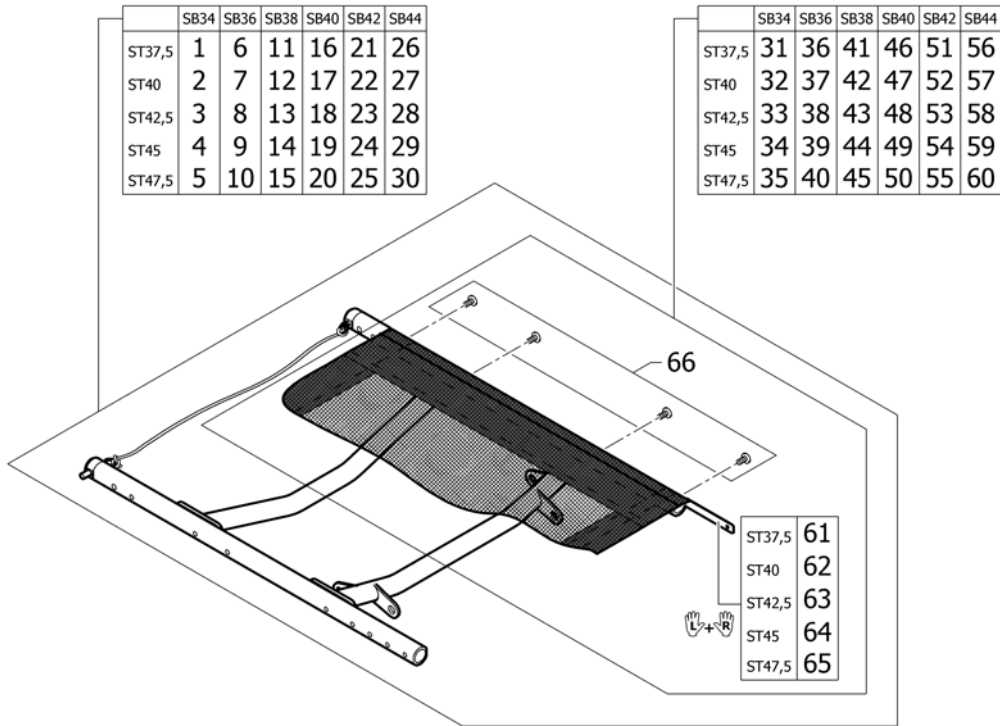
(Seat frame, cover light =>31.12.2011)

19	1579354	(Seat module complete, cover light SB40 ST45)	01.01.2007 → 31.12.2011	1
20	1579355	(Seat module complete, cover light SB40 ST47,5)	01.07.2010 → 31.12.2011	1
21	1579356	(Seat module complete, cover light SB42 ST37,5)	01.01.2007 → 31.12.2011	1
22	1579357	(Seat module complete, cover light SB42 ST40)	01.01.2007 → 31.12.2011	1
23	1579358	(Seat module complete, cover light SB42 ST42,5)	01.01.2007 → 31.12.2011	1
24	1579359	(Seat module complete, cover light SB42 ST45)	01.01.2007 → 31.12.2011	1
25	1579360	(Seat module complete, cover light SB42 ST47,5)	01.07.2010 → 31.12.2011	1
26	1579361	(Seat module complete, cover light SB44 ST37,5)	01.01.2007 → 31.12.2011	1
27	1579362	(Seat module complete, cover light SB44 ST40)	01.01.2007 → 31.12.2011	1
28	1579363	(Seat module complete, cover light SB44 ST42,5)	01.01.2007 → 31.12.2011	1
29	1579364	(Seat module complete, cover light SB44 ST45)	01.01.2007 → 31.12.2011	1
30	1579365	(Seat module complete, cover light SB44 ST47,5)	01.07.2010 → 31.12.2011	1
31	1546503	(Seatcover light complete SB34 ST37,5 for frame standard)	01.01.2007 → 31.12.2011	1
32	1546511	(Seatcover light complete SB34 ST40 for frame standard)	01.01.2007 → 31.12.2011	1
33	1546519	(Seatcover light complete SB34 ST42,5 for frame standard)	01.01.2007 → 31.12.2011	1
34	1546527	(Seatcover light complete SB34 ST45 for frame standard/+5)	01.01.2007 → 31.12.2011	1
35	1546535	(Seatcover light complete SB34 ST47,5 for frame +5)	01.07.2010 → 31.12.2011	1
36	1546504	(Seatcover light complete SB36 ST37,5 for frame standard)	01.01.2007 → 31.12.2011	1
37	1546512	(Seatcover light complete SB36 ST40 for frame standard)	01.01.2007 → 31.12.2011	1
38	1546520	(Seatcover light complete SB36 ST42,5 for frame standard)	01.01.2007 → 31.12.2011	1
39	1546528	(Seatcover light complete SB36 ST45 for frame standard/+5)	01.01.2007 → 31.12.2011	1
40	1546536	(Seatcover light complete SB36 ST47,5 for frame +5)	01.07.2010 → 31.12.2011	1
41	1546505	(Seatcover light complete SB38 ST37,5 for frame standard)	01.01.2007 → 31.12.2011	1
42	1546513	(Seatcover light complete SB38 ST40 for frame standard)	01.01.2007 → 31.12.2011	1
43	1546521	(Seatcover light complete SB38 ST42,5 for frame standard)	01.01.2007 → 31.12.2011	1
44	1546529	(Seatcover light complete SB38 ST45 for frame standard/+5)	01.01.2007 → 31.12.2011	1
45	1546537	(Seatcover light complete SB38 ST47,5 for frame +5)	01.07.2010 → 31.12.2011	1
46	1546506	(Seatcover light complete SB40 ST37,5 for frame standard)	01.01.2007 → 31.12.2011	1
47	1546514	(Seatcover light complete SB40 ST40 for frame standard)	01.01.2007 → 31.12.2011	1
48	1546522	(Seatcover light complete SB40 ST42,5 for frame standard)	01.01.2007 → 31.12.2011	1
49	1546530	(Seatcover light complete SB40 ST45 for frame standard/+5)	01.01.2007 → 31.12.2011	1

(Seat frame, cover light =>31.12.2011)

50	1546538	(Seatcover light complete SB40 ST47,5 for frame +5)	01.07.2010 → 31.12.2011	1
51	1546507	(Seatcover light complete SB42 ST37,5 for frame standard)	01.01.2007 → 31.12.2011	1
52	1546515	(Seatcover light complete SB42 ST40 for frame standard)	01.01.2007 → 31.12.2011	1
53	1546523	(Seatcover light complete SB42 ST42,5 for frame standard)	01.01.2007 → 31.12.2011	1
54	1546531	(Seatcover light complete SB42 ST45 for frame standard/+5)	01.01.2007 → 31.12.2011	1
55	1546539	(Seatcover light complete SB42 ST47,5 for frame +5)	01.07.2010 → 31.12.2011	1
56	1546508	(Seatcover light complete SB44 ST37,5 for frame standard)	01.01.2007 → 31.12.2011	1
57	1546516	(Seatcover light complete SB44 ST40 for frame standard)	01.01.2007 → 31.12.2011	1
58	1546524	(Seatcover light complete SB44 ST42,5 for frame standard)	01.01.2007 → 31.12.2011	1
59	1546532	(Seatcover light complete SB44 ST45 for frame standard/+5)	01.01.2007 → 31.12.2011	1
60	1546540	(Seatcover light complete SB44 ST47,5 for frame +5)	01.07.2010 → 31.12.2011	1
61	1579366	(Seat rail kit SD37,5, pair)	01.01.2007 → 31.12.2011	1
62	1579367	(Seat rail kit SD40, pair)	01.01.2007 → 31.12.2011	1
63	1579368	(Seat rail kit SD42,5, pair)	01.01.2007 → 31.12.2011	1
64	1579369	(Seat rail kit SD45, pair)	01.01.2007 → 31.12.2011	1
65	1579370	(Seat rail kit SD47,5, pair)	01.07.2010 → 31.12.2011	1
66	1579375	(Fixation kit seat cover)	01.01.2007 → 31.12.2011	1

(Seat frame, cover light 01.01.2012=>)

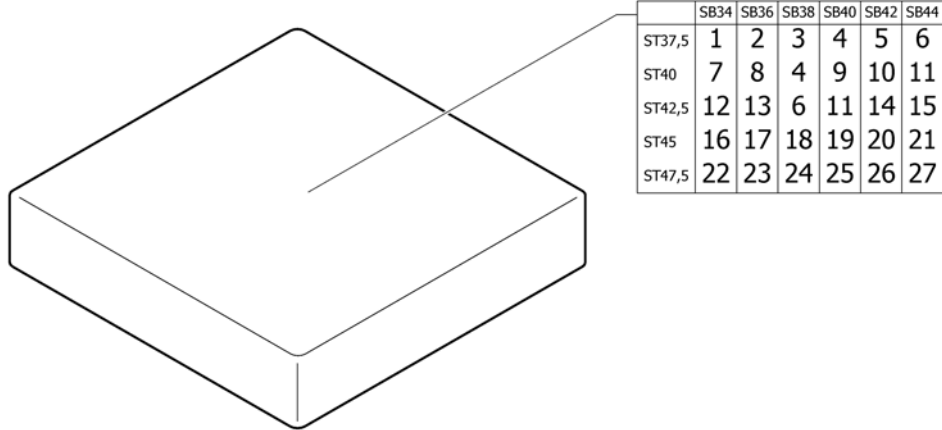


1	1579734	(Seat module complete, cover light SB34 ST37,5)		1
2	1579735	(Seat module complete, cover light SB34 ST40)		1
3	1579736	(Seat module complete, cover light SB34 ST42,5)		1
4	1579737	(Seat module complete, cover light SB34 ST45)		1
5	1579738	(Seat module complete, cover light SB34 ST47,5)	01.01.2012 → 31.12.2013	1
6	1579800	(Seat module complete, cover light SB36 ST37,5)		1
7	1579801	(Seat module complete, cover light SB36 ST40)		1
8	1579802	(Seat module complete, cover light SB36 ST42,5)		1
9	1579837	(Seat module complete, cover light SB36 ST45)		1
10	1579838	(Seat module complete, cover light SB36 ST47,5)	01.01.2012 → 31.12.2013	1
11	1579839	(Seat module complete, cover light SB38 ST37,5)		1
12	1579840	(Seat module complete, cover light SB38 ST40)		1
13	1579841	(Seat module complete, cover light SB38 ST42,5)		1
14	1580017	(Seat module complete, cover light SB38 ST45)		1
15	1580232	(Seat module complete, cover light SB38 ST47,5)	01.01.2012 → 31.12.2013	1
16	1580233	(Seat module complete, cover light SB40 ST37,5)		1
17	1580234	(Seat module complete, cover light SB40 ST40)		1
18	1580235	(Seat module complete, cover light SB40 ST42,5)		1
19	1580236	(Seat module complete, cover light SB40 ST45)		1
20	1580237	(Seat module complete, cover light SB40 ST47,5)	01.01.2012 → 31.12.2013	1
21	1580238	(Seat module complete, cover light SB42 ST37,5)		1
22	1580239	(Seat module complete, cover light SB42 ST40)		1
23	1580240	(Seat module complete, cover light SB42 ST42,5)		1
24	1580241	(Seat module complete, cover light SB42 ST45)		1
25	1580242	(Seat module complete, cover light SB42 ST47,5)	01.01.2012 → 31.12.2013	1
26	1580243	(Seat module complete, cover light SB44 ST37,5)		1
27	1580244	(Seat module complete, cover light SB44 ST40)		1
28	1580245	(Seat module complete, cover light SB44 ST42,5)		1

(Seat frame, cover light 01.01.2012=>)

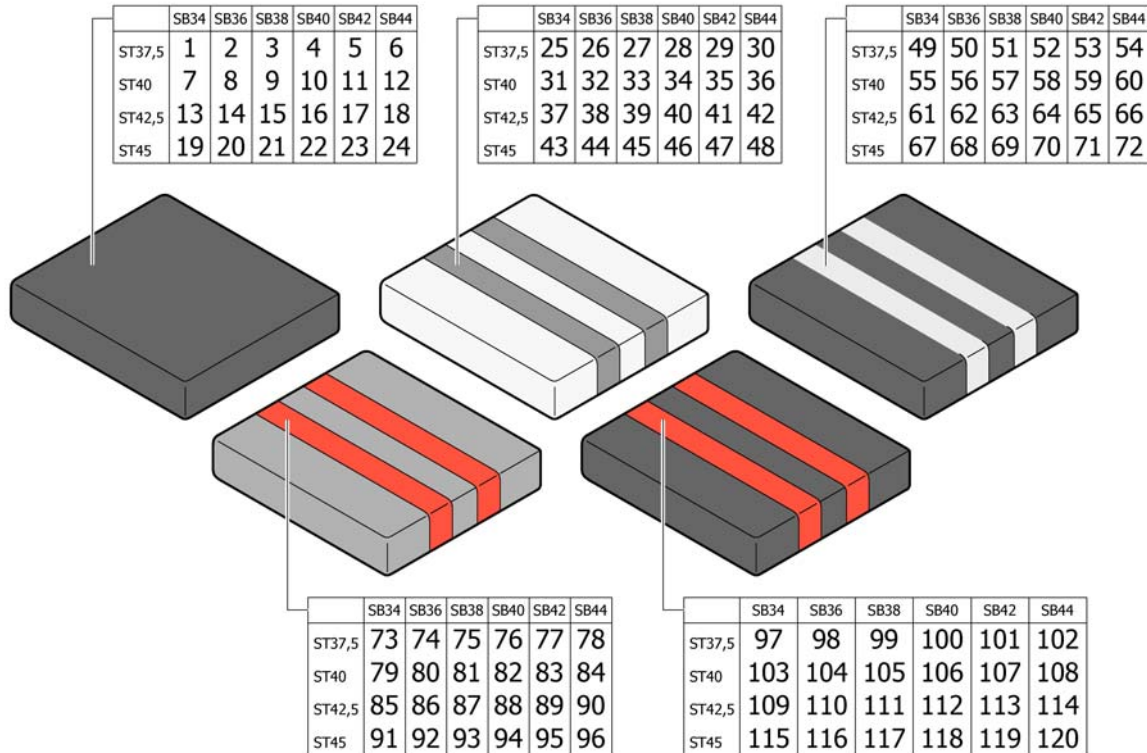
29	1580246	(Seat module complete, cover light SB44 ST45)		1
30	1580247	(Seat module complete, cover light SB44 ST47,5)	01.01.2012 → 31.12.2013	1
31	1546503	(Seatcover light complete SB34 ST37,5 for frame standard)		1
32	1546511	(Seatcover light complete SB34 ST40 for frame standard)		1
33	1546519	(Seatcover light complete SB34 ST42,5 for frame standard)		1
34	1546527	(Seatcover light complete SB34 ST45 for frame standard/+5)		1
35	1546535	(Seatcover light complete SB34 ST47,5 for frame +5)	01.01.2012 → 31.12.2013	1
36	1546504	(Seatcover light complete SB36 ST37,5 for frame standard)		1
37	1546512	(Seatcover light complete SB36 ST40 for frame standard)		1
38	1546520	(Seatcover light complete SB36 ST42,5 for frame standard)		1
39	1546528	(Seatcover light complete SB36 ST45 for frame standard/+5)		1
40	1546536	(Seatcover light complete SB36 ST47,5 for frame +5)	01.01.2012 → 31.12.2013	1
41	1546505	(Seatcover light complete SB38 ST37,5 for frame standard)		1
42	1546513	(Seatcover light complete SB38 ST40 for frame standard)		1
43	1546521	(Seatcover light complete SB38 ST42,5 for frame standard)		1
44	1546529	(Seatcover light complete SB38 ST45 for frame standard/+5)		1
45	1546537	(Seatcover light complete SB38 ST47,5 for frame +5)	01.01.2012 → 31.12.2013	1
46	1546506	(Seatcover light complete SB40 ST37,5 for frame standard)		1
47	1546514	(Seatcover light complete SB40 ST40 for frame standard)		1
48	1546522	(Seatcover light complete SB40 ST42,5 for frame standard)		1
49	1546530	(Seatcover light complete SB40 ST45 for frame standard/+5)		1
50	1546538	(Seatcover light complete SB40 ST47,5 for frame +5)	01.01.2012 → 31.12.2013	1
51	1546507	(Seatcover light complete SB42 ST37,5 for frame standard)		1
52	1546515	(Seatcover light complete SB42 ST40 for frame standard)		1
53	1546523	(Seatcover light complete SB42 ST42,5 for frame standard)		1
54	1546531	(Seatcover light complete SB42 ST45 for frame standard/+5)		1
55	1546539	(Seatcover light complete SB42 ST47,5 for frame +5)	01.01.2012 → 31.12.2013	1
56	1546508	(Seatcover light complete SB44 ST37,5 for frame standard)		1
57	1546516	(Seatcover light complete SB44 ST40 for frame standard)		1
58	1546524	(Seatcover light complete SB44 ST42,5 for frame standard)		1
59	1546532	(Seatcover light complete SB44 ST45 for frame standard/+5)		1
60	1546540	(Seatcover light complete SB44 ST47,5 for frame +5)	01.01.2012 → 31.12.2013	1
61	1579366	(Seat rail kit SD37,5, pair)		1
62	1579367	(Seat rail kit SD40, pair)		1
63	1579368	(Seat rail kit SD42,5, pair)		1
64	1579369	(Seat rail kit SD45, pair)		1
65	1579370	(Seat rail kit SD47,5, pair)	01.01.2012 → 31.12.2013	1
66	1579375	(Fixation kit seat cover)		1

(Seat cushion standard)



1	1556327	Kusch zitkussen 34x38 ps		1
2	1556336	(Seat cushion 360mm x 380mm)		1
3	1556344	Kusch zitkussen 38x38 ps		1
4	1556345	(Seat cushion 380mm x 400mm)		1
5	1556346	(Seat cushion 380mm x 420mm)		1
6	1556347	(Seat cushion 380mm x 440mm)		1
7	1556328	(Seat cushion 340mm x 400mm)		1
8	1556337	(Seat cushion 360mm x 400mm)		1
9	1556352	(Seat cushion 400mm x 400mm)		1
10	1556353	Kusch zitkussen 40x42/ 42x40 zwart cpl		1
11	1556354	(Seat cushion 400mm x 440mm)		1
12	1556330	(Seat cushion 340mm x 440mm)		1
13	1556339	(Seat cushion 360mm x 440mm)		1
14	1556360	Kusch zitkussen 42x44/ 44x42 cpl ps		1
15	1556365	Kusch zitkussen 44x44 ps		1
16	1556331	(Seat cushion 340mm x 460mm)		1
17	1556340	(Seat cushion 360mm x 460mm)		1
18	1556348	Kusch zitkussen 38x46/ 46x38 zwart cpl		1
19	1556355	Kusch zitkussen 46x40		1
20	1556361	(Seat cushion 420mm x 460mm)		1
21	1556366	(Seat cushion 440mm x 460mm)		1
22	1556332	(Seat cushion 340mm x 480mm)	01.07.2012 → 31.12.2013	1
23	1556341	(Seat cushion 360mm x 480mm)	01.07.2012 → 31.12.2013	1
24	1556349	(Seat cushion 380mm x 480mm)	01.07.2012 → 31.12.2013	1
25	1556356	(Seat cushion 400mm x 480mm)	01.07.2012 → 31.12.2013	1
26	1556362	(Seat cushion 420mm x 480mm)	01.07.2012 → 31.12.2013	1
27	1556367	(Seat cushion 440mm x 480mm)	01.07.2012 → 31.12.2013	1

(Seat cushion Alcantara)



1	1517144	(Seat cushion SB34 ST37.5 Alcantara black R33) <i>Replaces 1497810</i>	1
2	1517145	(Seat cushion SB36 ST37.5 Alcantara black R33) <i>Replaces 1497814</i>	1
3	1517146	(Seat cushion SB38 ST37.5 Alcantara black R33) <i>Replaces 1498093</i>	1
4	1517147	(Seat cushion SB40 ST37.5 Alcantara black R33) <i>Replaces 1498097</i>	1
5	1517148	(Seat cushion SB42 ST37.5 Alcantara black R33) <i>Replaces 1498101</i>	1
6	1517169	(Seat cushion SB44 ST37.5 Alcantara black R33) <i>Replaces 1498105</i>	1
7	1517170	(Seat cushion SB34 ST40 Alcantara black R33) <i>Replaces 1497811</i>	1
8	1517171	(Seat cushion SB36 ST40 Alcantara black R33) <i>Replaces 1497815</i>	1
9	1517172	(Seat cushion SB38 ST40 Alcantara black R33) <i>Replaces 1498094</i>	1
10	1517173	(Seat cushion SB40 ST40 Alcantara black R33) <i>Replaces 1498098</i>	1
11	1517174	(Seat cushion SB42 ST40 Alcantara black R33) <i>Replaces 1498102</i>	1
12	1517175	(Seat cushion SB44 ST40 Alcantara black R33) <i>Replaces 1498106</i>	1
13	1517176	(Seat cushion SB34 ST42.5 Alcantara black R33) <i>Replaces 1497812</i>	1
14	1517177	(Seat cushion SB36 ST42.5 Alcantara black R33) <i>Replaces 1497816</i>	1
15	1517178	(Seat cushion SB38 ST42.5 Alcantara black R33) <i>Replaces 1498095</i>	1
16	1517182	(Seat cushion SB40 ST42.5 Alcantara black R33) <i>Replaces 1498099</i>	1
17	1517183	(Seat cushion SB42 ST42.5 Alcantara black R33) <i>Replaces 1498103</i>	1
18	1517184	(Seat cushion SB44 ST42.5 Alcantara black R33) <i>Replaces 1498107</i>	1

(Seat cushion Alcantara)

19	1517185	(Seat cushion SB34 ST45 Alcantara black R33) <i>Replaces 1497813</i>		1
20	1517186	(Seat cushion SB36 ST45 Alcantara black R33) <i>Replaces 1497897</i>		1
21	1517187	(Seat cushion SB38 ST45 Alcantara black R33) <i>Replaces 1498096</i>		1
22	1517188	(Seat cushion SB40 ST45 Alcantara black R33) <i>Replaces 1498100</i>		1
23	1517189	(Seat cushion SB42 ST45 Alcantara black R33) <i>Replaces 1498104</i>		1
24	1517190	Kusch zitkussen 44x45 alcantara zwart <i>Replaces 1498108</i>		1
25	1517387	(Seat cushion SB34 ST37.5 Alcantara bright grey-grey R33) <i>Replaces 1497526</i>	01.01.2007 → 31.12.2011	1
26	1517388	(Seat cushion SB36 ST37.5 Alcantara bright grey-grey R33) <i>Replaces 1497530</i>	01.01.2007 → 31.12.2011	1
27	1517389	(Seat cushion SB38 ST37.5 Alcantara bright grey-grey R33) <i>Replaces 1497534</i>	01.01.2007 → 31.12.2011	1
28	1517390	(Seat cushion SB40 ST37.5 Alcantara bright grey-grey R33) <i>Replaces 1497798</i>	01.01.2007 → 31.12.2011	1
29	1517391	(Seat cushion SB42 ST37.5 Alcantara bright grey-grey R33) <i>Replaces 1497802</i>	01.01.2007 → 31.12.2011	1
30	1517392	(Seat cushion SB44 ST37.5 Alcantara bright grey-grey R33) <i>Replaces 1497806</i>	01.01.2007 → 31.12.2011	1
31	1517393	(Seat cushion SB34 ST40 Alcantara bright grey-grey R33) <i>Replaces 1497527</i>	01.01.2007 → 31.12.2011	1
32	1517394	(Seat cushion SB36 ST40 Alcantara bright grey-grey R33) <i>Replaces 1497531</i>	01.01.2007 → 31.12.2011	1
33	1517395	(Seat cushion SB38 ST40 Alcantara bright grey-grey R33) <i>Replaces 1497535</i>	01.01.2007 → 31.12.2011	1
34	1517396	(Seat cushion SB40 ST40 Alcantara bright grey-grey R33) <i>Replaces 1497799</i>	01.01.2007 → 31.12.2011	1
35	1517397	(Seat cushion SB42 ST40 Alcantara bright grey-grey R33) <i>Replaces 1497803</i>	01.01.2007 → 31.12.2011	1
36	1517398	(Seat cushion SB44 ST40 Alcantara bright grey-grey R33) <i>Replaces 1497807</i>	01.01.2007 → 31.12.2011	1
37	1517399	(Seat cushion SB34 ST42.5 Alcantara bright grey-grey R33) <i>Replaces 1497528</i>	01.01.2007 → 31.12.2011	1
38	1517400	(Seat cushion SB36 ST42.5 Alcantara bright grey-grey R33) <i>Replaces 1497532</i>	01.01.2007 → 31.12.2011	1
39	1517401	(Seat cushion SB38 ST42.5 Alcantara bright grey-grey R33) <i>Replaces 1497644</i>	01.01.2007 → 31.12.2011	1
40	1517402	(Seat cushion SB40 ST42.5 Alcantara bright grey-grey R33) <i>Replaces 1497800</i>	01.01.2007 → 31.12.2011	1
41	1517403	(Seat cushion SB42 ST42.5 Alcantara bright grey-grey R33) <i>Replaces 1497804</i>	01.01.2007 → 31.12.2011	1
42	1517404	(Seat cushion SB44 ST42.5 Alcantara bright grey-grey R33) <i>Replaces 1497808</i>	01.01.2007 → 31.12.2011	1

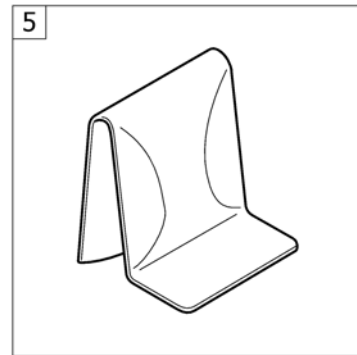
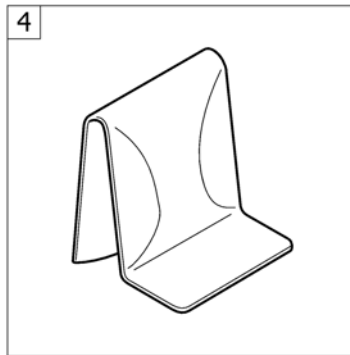
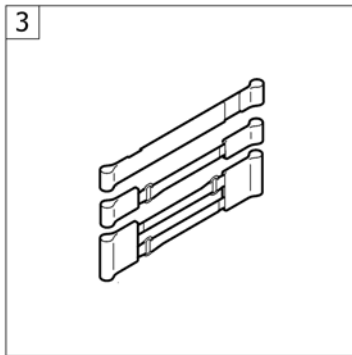
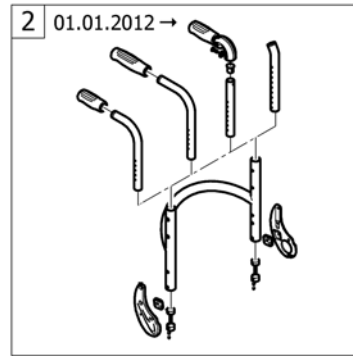
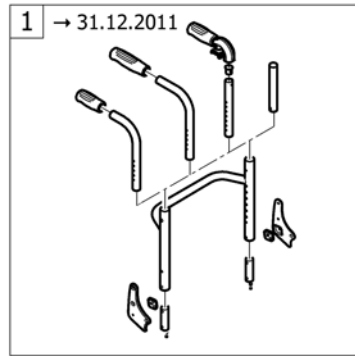
(Seat cushion Alcantara)

43	1517405	(Seat cushion SB34 ST45 Alcantara bright grey-grey R33) <i>Replaces 1497529</i>	01.01.2007 → 31.12.2011	1
44	1517406	(Seat cushion SB36 ST45 Alcantara bright grey-grey R33) <i>Replaces 1497533</i>	01.01.2007 → 31.12.2011	1
45	1517407	(Seat cushion SB38 ST45 Alcantara bright grey-grey R33) <i>Replaces 1497797</i>	01.01.2007 → 31.12.2011	1
46	1517408	(Seat cushion SB40 ST45 Alcantara bright grey-grey R33) <i>Replaces 1497801</i>	01.01.2007 → 31.12.2011	1
47	1517409	(Seat cushion SB42 ST45 Alcantara bright grey-grey R33) <i>Replaces 1497805</i>	01.01.2007 → 31.12.2011	1
48	1517410	(Seat cushion SB44 ST45 Alcantara bright grey-grey R33) <i>Replaces 1497809</i>	01.01.2007 → 31.12.2011	1
49	1542665	(Seat cushion SB34 ST37.5 Alcantara black-grey R33)	01.07.2010 →	1
50	1542669	(Seat cushion SB36 ST37.5 Alcantara black-grey R33)	01.07.2010 →	1
51	1542673	(Seat cushion SB38 ST37.5 Alcantara black-grey R33)	01.07.2010 →	1
52	1542677	(Seat cushion SB40 ST37.5 Alcantara black-grey R33)	01.07.2010 →	1
53	1542681	(Seat cushion SB42 ST37.5 Alcantara black-grey R33)	01.07.2010 →	1
54	1542685	(Seat cushion SB44 ST37.5 Alcantara black-grey R33)	01.07.2010 →	1
55	1542666	(Seat cushion SB34 ST40 Alcantara black-grey R33)	01.07.2010 →	1
56	1542670	(Seat cushion SB36 ST40 Alcantara black-grey R33)	01.07.2010 →	1
57	1542674	(Seat cushion SB38 ST40 Alcantara black-grey R33)	01.07.2010 →	1
58	1542678	(Seat cushion SB40 ST40 Alcantara black-grey R33)	01.07.2010 →	1
59	1542682	(Seat cushion SB42 ST40 Alcantara black-grey R33)	01.07.2010 →	1
60	1542686	(Seat cushion SB44 ST40 Alcantara black-grey R33)	01.07.2010 →	1
61	1542667	(Seat cushion SB34 ST42.5 Alcantara black-grey R33)	01.07.2010 →	1
62	1542671	(Seat cushion SB36 ST42.5 Alcantara black-grey R33)	01.07.2010 →	1
63	1542675	(Seat cushion SB38 ST42.5 Alcantara black-grey R33)	01.07.2010 →	1
64	1542679	(Seat cushion SB40 ST42.5 Alcantara black-grey R33)	01.07.2010 →	1
65	1542683	(Seat cushion SB42 ST42.5 Alcantara black-grey R33)	01.07.2010 →	1
66	1542687	(Seat cushion SB44 ST42.5 Alcantara black-grey R33)	01.07.2010 →	1
67	1542668	(Seat cushion SB34 ST45 Alcantara black-grey R33)	01.07.2010 →	1
68	1542672	(Seat cushion SB36 ST45 Alcantara black-grey R33)	01.07.2010 →	1
69	1542676	(Seat cushion SB38 ST45 Alcantara black-grey R33)	01.07.2010 →	1
70	1542680	(Seat cushion SB40 ST45 Alcantara black-grey R33)	01.07.2010 →	1
71	1542684	(Seat cushion SB42 ST45 Alcantara black-grey R33)	01.07.2010 →	1
72	1542688	(Seat cushion SB44 ST45 Alcantara black-grey R33)	01.07.2010 →	1
73	1517241	(Seat cushion SB34 ST37.5 Alcantara grey-red R33) <i>Replaces 1497157</i>		1
74	1517242	(Seat cushion SB36 ST37.5 Alcantara grey-red R33) <i>Replaces 1497161</i>		1
75	1517243	(Seat cushion SB38 ST37.5 Alcantara grey-red R33) <i>Replaces 1497165</i>		1
76	1517266	(Seat cushion SB40 ST37.5 Alcantara grey-red R33) <i>Replaces 1497201</i>		1
77	1517313	(Seat cushion SB42 ST37.5 Alcantara grey-red R33) <i>Replaces 1497518</i>		1
78	1517314	(Seat cushion SB44 ST37.5 Alcantara grey-red R33) <i>Replaces 1497522</i>		1
79	1517369	(Seat cushion SB34 ST40 Alcantara grey-red R33) <i>Replaces 1497158</i>		1
80	1517370	(Seat cushion SB36 ST40 Alcantara grey-red R33) <i>Replaces 1497162</i>		1
81	1517371	(Seat cushion SB38 ST40 Alcantara grey-red R33) <i>Replaces 1497198</i>		1

(Seat cushion Alcantara)

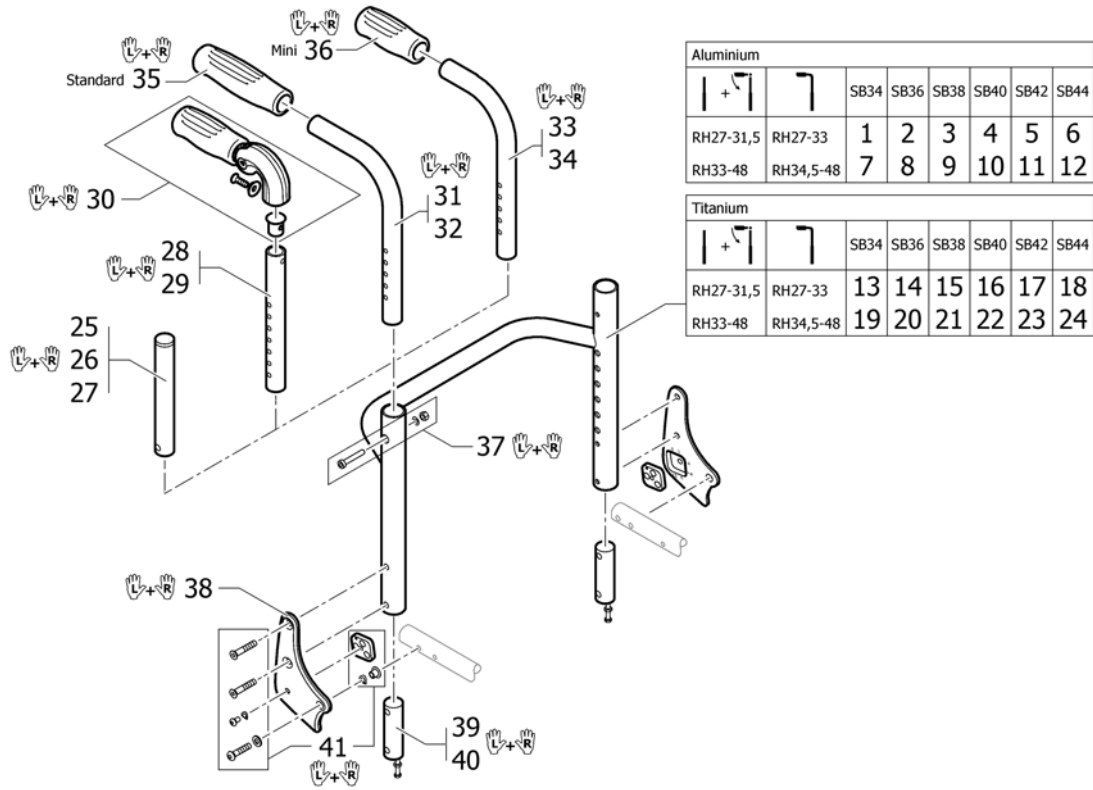
82	1517372	R33 zitkussen 40x40 alcantara grijs/rood <i>Replaces 1497324</i>		1
83	1517373	(Seat cushion SB42 ST40 Alcantara grey-red R33) <i>Replaces 1497519</i>		1
84	1517374	(Seat cushion SB44 ST40 Alcantara grey-red R33) <i>Replaces 1497523</i>		1
85	1517375	(Seat cushion SB34 ST42.5 Alcantara grey-red R33) <i>Replaces 1497159</i>		1
86	1517376	(Seat cushion SB36 ST42.5 Alcantara grey-red R33) <i>Replaces 1497163</i>		1
87	1517377	(Seat cushion SB38 ST42.5 Alcantara grey-red R33) <i>Replaces 1497199</i>		1
88	1517378	(Seat cushion SB40 ST42.5 Alcantara grey-red R33) <i>Replaces 1497516</i>		1
89	1517379	(Seat cushion SB42 ST42.5 Alcantara grey-red R33) <i>Replaces 1497520</i>		1
90	1517380	(Seat cushion SB44 ST42.5 Alcantara grey-red R33) <i>Replaces 1497524</i>		1
91	1517381	(Seat cushion SB34 ST45 Alcantara grey-red R33) <i>Replaces 1497160</i>		1
92	1517382	(Seat cushion SB36 ST45 Alcantara grey-red R33) <i>Replaces 1497164</i>		1
93	1517383	(Seat cushion SB38 ST45 Alcantara grey-red R33) <i>Replaces 1497200</i>		1
94	1517384	(Seat cushion SB40 ST45 Alcantara grey-red R33) <i>Replaces 1497517</i>		1
95	1517385	(Seat cushion SB42 ST45 Alcantara grey-red R33) <i>Replaces 1497521</i>		1
96	1517386	(Seat cushion SB44 ST45 Alcantara grey-red R33) <i>Replaces 1497525</i>		1
97	1517411	(Seat cushion SB34 ST37.5 Alcantara black-red R33)	01.01.2008 →	1
98	1517412	(Seat cushion SB36 ST37.5 Alcantara black-red R33)	01.01.2008 →	1
99	1517413	(Seat cushion SB38 ST37.5 Alcantara black-red R33)	01.01.2008 →	1
100	1517414	(Seat cushion SB40 ST37.5 Alcantara black-red R33)	01.01.2008 →	1
101	1517415	(Seat cushion SB42 ST37.5 Alcantara black-red R33)	01.01.2008 →	1
102	1517416	(Seat cushion SB44 ST37.5 Alcantara black-red R33)	01.01.2008 →	1
103	1517417	(Seat cushion SB34 ST40 Alcantara black-red R33)	01.01.2008 →	1
104	1517418	(Seat cushion SB36 ST40 Alcantara black-red R33)	01.01.2008 →	1
105	1517419	(Seat cushion SB38 ST40 Alcantara black-red R33)	01.01.2008 →	1
106	1517420	(Seat cushion SB40 ST40 Alcantara black-red R33)	01.01.2008 →	1
107	1517421	(Seat cushion SB42 ST40 Alcantara black-red R33)	01.01.2008 →	1
108	1517422	(Seat cushion SB44 ST40 Alcantara black-red R33)	01.01.2008 →	1
109	1517423	(Seat cushion SB34 ST42.5 Alcantara black-red R33)	01.01.2008 →	1
110	1517424	(Seat cushion SB36 ST42.5 Alcantara black-red R33)	01.01.2008 →	1
111	1517425	(Seat cushion SB38 ST42.5 Alcantara black-red R33)	01.01.2008 →	1
112	1517426	(Seat cushion SB40 ST42.5 Alcantara black-red R33)	01.01.2008 →	1
113	1517427	(Seat cushion SB42 ST42.5 Alcantara black-red R33)	01.01.2008 →	1
114	1517428	(Seat cushion SB44 ST42.5 Alcantara black-red R33)	01.01.2008 →	1
115	1517429	(Seat cushion SB34 ST45 Alcantara black-red R33)	01.01.2008 →	1
116	1517430	(Seat cushion SB36 ST45 Alcantara black-red R33)	01.01.2008 →	1
117	1517431	(Seat cushion SB38 ST45 Alcantara black-red R33)	01.01.2008 →	1
118	1517432	(Seat cushion SB40 ST45 Alcantara black-red R33)	01.01.2008 →	1
119	1517433	(Seat cushion SB42 ST45 Alcantara black-red R33)	01.01.2008 →	1
120	1517434	(Seat cushion SB44 ST45 Alcantara black-red R33)	01.01.2008 →	1

(BACKREST)



1	-	(Backrest =>31.12.2011)	01.01.2007 → 31.12.2011	1
2	-	(Backrest 01.01.2012=>)	01.01.2012 →	1
3	-	(Bands to adjustable backrest)		1
4	-	(Cover to adjustable backrest)		1
5	-	(Cover to adjustable backrest Alcantara)		1

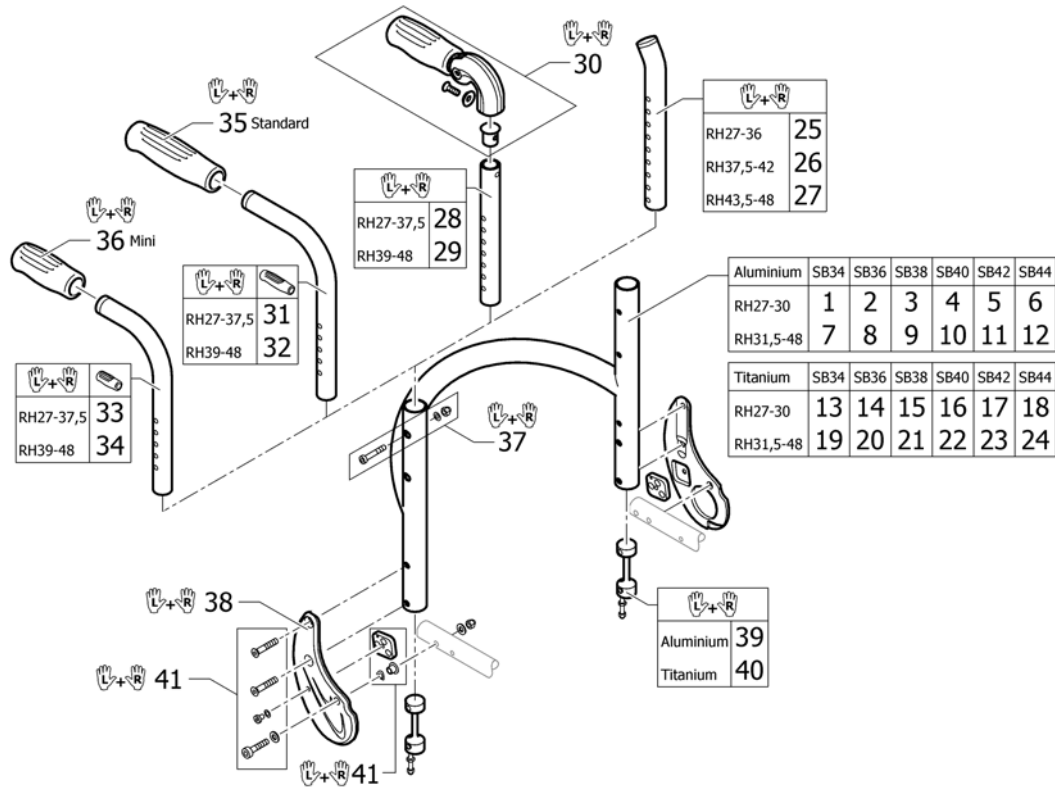
(Backrest =>31.12.2011)



1	1491119	(Backrest tube Alu SB34 short)	01.01.2007 → 31.12.2011	1
2	1491120	(Backrest tube Alu SB36 short)	01.01.2007 → 31.12.2011	1
3	1491121	Kusch rugframe zb38 kort cpl	01.01.2007 → 31.12.2011	1
4	1491122	Kusch rugframe zn 40 kort cpl (K-Serie 05)	01.01.2007 → 31.12.2011	1
5	1491214	Kusch rugfr.alu zb42 rh 27-39/33 tbv.R33/K2005	01.01.2007 → 31.12.2011	1
6	1492134	Kusch rugfr.alu zb44 rh 27-39/33 tbv.R33/K2005	01.01.2007 → 31.12.2011	1
7	1491091	Kusch rugfr.alu zb34 rh 40,5/33-48 tbv.R33/K2005	01.01.2007 → 31.12.2011	1
8	1491092	Kusch rugfr.alu zb36 rh 40,5/33-48 tbv.R33/K2005	01.01.2007 → 31.12.2011	1
9	1451787	Kusch rugfr.alu zb38 rh 40,5/33-48 tbv.R33/K2005	01.01.2007 → 31.12.2011	1
10	1451788	Kusch rugfr.alu zb40 rh 40,5/33-48 tbv.R33/K2005	01.01.2007 → 31.12.2011	1
11	1451789	Kusch rugfr.alu zb42 rh 40,5/33-48 tbv.R33/K2005	01.01.2007 → 31.12.2011	1
12	1451790	Kusch rugfr.alu zb44 rh 40,5/33-48 tbv.R33/K2005	01.01.2007 → 31.12.2011	1
13	1451792	(Backrest tube Titan SB34 short)	01.01.2007 → 31.12.2011	1
14	1451793	(Backrest tube Titan SB36 short)	01.01.2007 → 31.12.2011	1
15	1485517	(Backrest tube Titan SB38 short)	01.01.2007 → 31.12.2011	1
16	1485518	Kusch rugfr.tit zb40 rh 27-39/33 tbv.R33/K2005	01.01.2007 → 31.12.2011	1
17	1484827	Kusch rugframe zb42 tit rh.27-33 R33/K-05	01.01.2007 → 31.12.2011	1
18	1488996	(Backrest tube Titan SB44 short)	01.01.2007 → 31.12.2011	1

19	1488997	Kusch rugfr.tit.zb34 kort tbv.R33/K2005	01.01.2007 → 31.12.2011	1
20	1488998	(Backrest tube Titan SB36 Long)	01.01.2007 → 31.12.2011	1
21	1488999	(Backrest tube Titan SB38 Long)	01.01.2007 → 31.12.2011	1
22	1489000	Kusch rugfr.tit.zb40 lang tbv.R33/K2005	01.01.2007 → 31.12.2011	1
23	1489001	Kusch rugfr.tit.zb42 lang tbv.R33/K2005	01.01.2007 → 31.12.2011	1
24	1489002	Kusch rugfr.tit.zb44 lang tbv.R33/K2005	01.01.2007 → 31.12.2011	1
25	1511524	(Telescopic back tube standard short, pair)	01.01.2007 → 31.12.2011	1
26	1511525	Kusch rugbuizen tbv.verlenging frame med.pp	01.01.2007 → 31.12.2011	1
27	1511526	Kusch rugb.telesc.lang pp Fus/R33/K-Jr/K-Serie	01.01.2007 → 31.12.2011	1
28	1524956	(Telescopic tube short for pushhandle foldable, pair)	01.01.2007 → 31.12.2011	1
29	1525121	Kusch rugfr.verlenger med.tbv duwh.inklapb.pp	01.01.2007 → 31.12.2011	1
30	1507733	Kusch.duwh.neerklapb. pp	01.01.2007 → 31.12.2011	1
31	1525122	Kusch duwh.tbv.rugframe kort pp ex.rubbers	01.01.2007 → 31.12.2011	1
32	1525123	(Backrest tube standard, long, pair)	01.01.2007 → 31.12.2011	1
33	1525124	(Backrest tube mini, short, pair)	01.01.2009 → 31.12.2011	1
34	1525125	(Backrest tube mini, long, pair)	01.01.2009 → 31.12.2011	1
35	1507734	Kusch duwh.rubber zwart ps	01.01.2007 → 31.12.2011	1
36	1525126	Kusch duw handvat rubber mini pp	01.01.2009 → 31.12.2011	1
37	1509136	Kusch rug bev.set schroef + div.per stuk	01.01.2007 → 31.12.2011	1
38	1487963-0004	K4 rug bev.plaat op frame zwart pp	01.01.2007 → 31.12.2011	1
38	1487963-0182	(Backrest joint plate, pair, champagne)	01.01.2013 → 31.12.2011	1
38	1487963-0183	(Backrest joint plate, pair, olive)	01.01.2013 → 31.12.2011	1
38	1487963-0001	(Backrest joint plate, pair, chrome)	01.07.2011 → 31.12.2011	1
38	1487963-0400	(Backrest joint plate, pair, techno-anthrazit)	01.01.2007 → 31.12.2011	1
38	1487963-0401	(Backrest joint plate, pair, lemon)	01.01.2007 → 31.12.2011	1
38	1487963-0404	(Backrest joint plate, pair, b-blue)	01.01.2007 → 31.12.2011	1
38	1487963-0440	(Backrest joint plate, pair, comet red)	01.01.2007 → 31.12.2011	1
38	1487963-0441	(Backrest joint plate, pair, arctic blue)	01.01.2007 → 31.12.2011	1
39	1487962	Kusch rugfr.tussenstuk op rugrame pp	01.01.2007 → 31.12.2011	1
40	1505352	Kusch rugfr.tussenstuk op rugfr.tit R33/K-05 pp	01.01.2007 → 31.12.2011	1
41	1487964	K4 rug bev.set op frame ps cpl	01.01.2007 → 31.12.2011	1

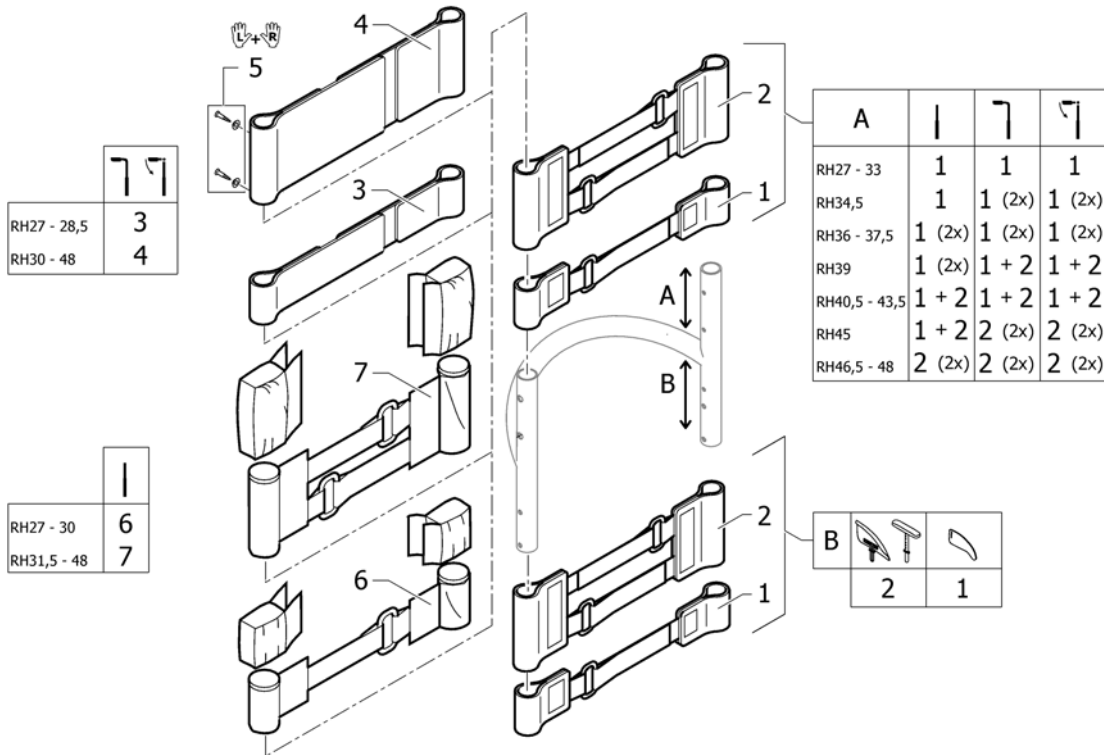
(Backrest 01.01.2012=>)



1	1546694	(Backrest tube Alu SB34 short)	1
2	1546695	(Backrest tube Alu SB36 short)	1
3	1546696	K-Serie G3 rugframe alu ZB38 RH27-30 cpl ps	1
4	1546697	(Backrest tube Alu SB40 short)	1
5	1546698	(Backrest tube Alu SB42 short)	1
6	1546699	(Backrest tube Alu SB44 short)	1
7	1546702	(Backrest tube Alu SB34 Long)	1
8	1546739	K-Serie G3 rugframe alu zb36 rh31,5-48 cpl ps	1
9	1546740	K-Serie G3 rugframe alu zb38 rh31,5-48 cpl ps	1
10	1546741	K-Serie G3 rugframe alu zb40 rh31, 5-48 cpl ps	1
11	1546806	(Backrest tube Alu SB42 Long)	1
12	1546807	K-Serie G3 rugframe alu zb44 rh31,5-48 cpl ps	1
13	1546810	(Backrest tube Titan SB34 short)	1
14	1546811	(Backrest tube Titan SB36 short)	1
15	1546812	(Backrest tube Titan SB38 short)	1
16	1546813	(Backrest tube Titan SB40 short)	1
17	1546814	(Backrest tube Titan SB42 short)	1
18	1546815	(Backrest tube Titan SB44 short)	1
19	1546818	(Backrest tube Titan SB34 Long)	1
20	1546819	(Backrest tube Titan SB36 Long)	1
21	1546820	(Backrest tube Titan SB38 Long)	1
22	1546821	(Backrest tube Titan SB40 Long)	1
23	1546822	(Backrest tube Titan SB42 Long)	1
24	1546823	K-Serie G3 rugframe tit. zb44 rh31,5-48 cpl ps	1
25	1546913	K-Serie rugb.short pp rh28-36,5cm	1
26	1546914	K-Serie rugb.medium pp rh37,5-42cm K-Ser/Adv	1
27	1546946	K-Serie G3 rugb.telesc. lang rh43,5-48 pp	1
28	1524956	(Telescopic tube short for pushhandle foldable, pair)	1
29	1525121	Kusch rugfr.verlenger med.tbv duwh.inklapb.pp	1
30	1507733	Kusch.duwh.neerklapb. pp	1
31	1525122	Kusch duwh.tbv.rugframe kort pp ex.rubbers	1

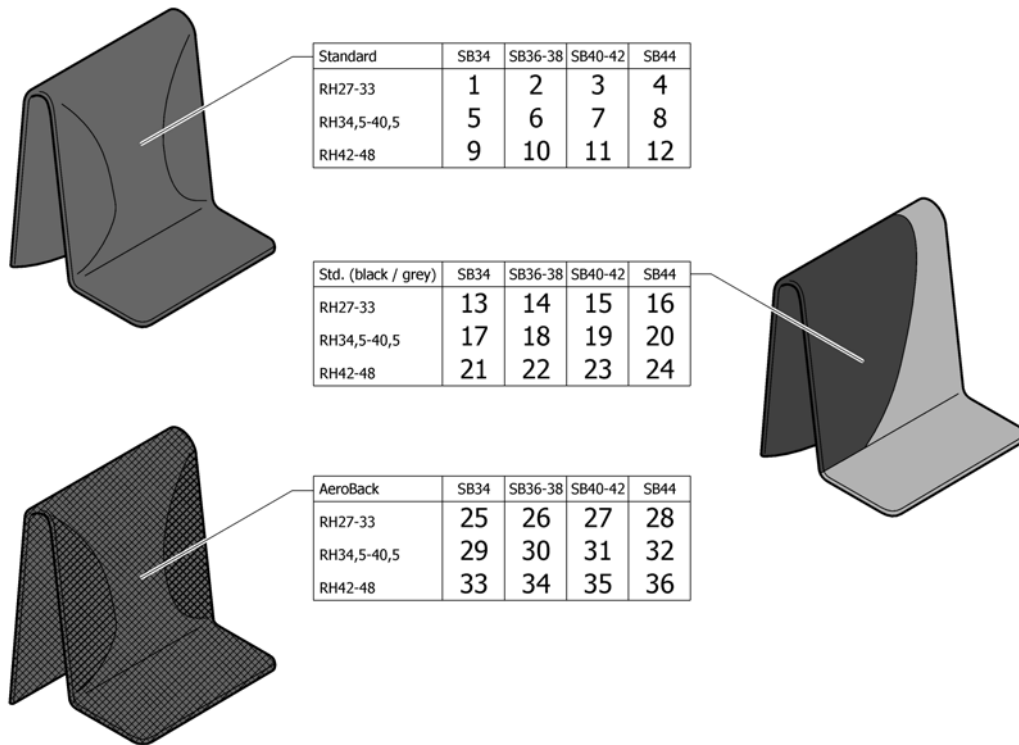
32	1525123	(Backrest tube standard, long, pair)		1
33	1525124	(Backrest tube mini, short, pair)		1
34	1525125	(Backrest tube mini, long, pair)		1
35	1507734	Kusch duwh.rubber zwart ps		1
36	1525126	Kusch duw handvat rubber mini pp		1
37	1546947	(Screw kit for backrest tube)		1
38	1546951-0004	(Backrest joint plate, pair, black anodized)		1
38	1546951-0001	(Backrest joint plate, pair, chrome)		1
38	1546951-0182	(Backrest joint plate, pair, champagne)	01.01.2013 →	1
38	1546951-0183	(Backrest joint plate, pair, olive)	01.01.2013 →	1
38	1546951-0400	(Backrest joint plate, pair, techno-anthrazit)		1
38	1546951-0401	(Backrest joint plate, pair, lemon)	01.01.2012 → 31.12.2017	1
38	1546951-0404	(Backrest joint plate, pair, b-blue)		1
38	1546951-0440	(Backrest joint plate, pair, comet red)		1
38	1546951-0441	(Backrest joint plate, pair, arctic blue)		1
39	1546948	K-Serie G3 rughoekverst. stift pp		1
40	1546949	(Sleeves for backrest tube Titan, pair complete)		1
41	1546950	K-Serie G3 rugframe bev. vierkant moer+bus ps		1

(Bands to adjustable backrest)



1	1513167	Kusch rugbekl.nasp.band 5cm hoog ps <i>Replaces 1439291</i>	1
2	1513168	Kusch rugbekl.nasp.deel 2 band <i>Replaces 707.1088</i>	1
3	1513170	Kusch rug spanband 5cm 2-band ex.polsterdeel <i>Replaces 709.1009</i>	1
4	1513171	Kusch rug spanband 10cm 2-band ex.polsterdeel <i>Replaces 709.1018</i>	1
5	1432083	Kusch set vijzen voor bev.nasp.band rug	1
6	1513172	Kusch rugbekl.nasp.band 5cm hoog ps Comp/K-Serie <i>Replaces 1416975</i>	1
7	1513173	Kusch rugbekl.nasp.band 10cm hoog Comp/K-Serie <i>Replaces 1416974</i>	1

(Cover to adjustable backrest)

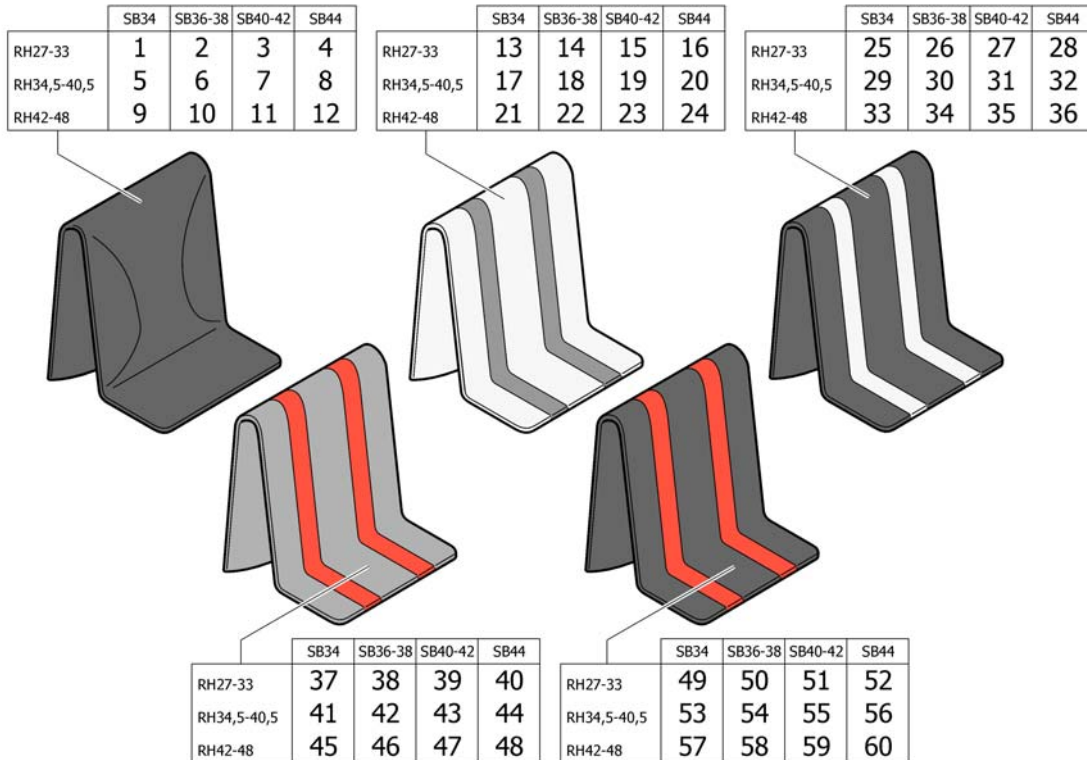


1	1512137	(Cover to adjustable backrest, SB32-34, short) <i>Replaces 1438884</i>	01.01.2007 → 31.12.2011	1
2	1512138	Kusch rughoes std.zb36- 38 kort ps <i>Replaces 1438886</i>	01.01.2007 → 31.12.2011	1
3	1512139	Kusch rughoes std.zb40- 42 rh27-33 ps <i>Replaces 1438888</i>	01.01.2007 → 31.12.2011	1
4	1512140	Kusch rughoes std.zb44- 46 rh27-33 ps <i>Replaces 1438890</i>	01.01.2007 → 31.12.2011	1
5	1512144	K-Series junior rughoes ZB 32-34 RH medium <i>Replaces 1432010</i>	01.01.2007 → 31.12.2011	1
6	1512145	Kusch rughoes std.zb36- 38 med.ps <i>Replaces 1432012</i>	01.01.2007 → 31.12.2011	1
7	1512146	Kusch rughoes std.zb40- 42 med.ps <i>Replaces 1432014</i>	01.01.2007 → 31.12.2011	1
8	1512147	Kusch rughoes std.zb44- 46 med.ps <i>Replaces 1438893</i>	01.01.2007 → 31.12.2011	1
9	1512151	(Cover to adjustable backrest, SB32-34, long) <i>Replaces 1432016</i>	01.01.2007 → 31.12.2011	1
10	1512152	Kusch rughoes std.zb36- 38 lang ps <i>Replaces 1432018</i>	01.01.2007 → 31.12.2011	1
11	1512153	Kusch rughoes std.zb40- 42 lang ps <i>Replaces 1432020</i>	01.01.2007 → 31.12.2011	1
12	1512154	Kusch rughoes std.zb44- 46 lang Cha/KSer/R33/Fus <i>Replaces 1438896</i>	01.01.2007 → 31.12.2011	1
13	1547153	(Cover black and grey to adjustable backrest, SB32-34, short)	01.01.2012 →	1
14	1547154	(Cover black and grey to adjustable backrest, SB36-38, short)	01.01.2012 →	1

(Cover to adjustable backrest)

15	1547155	Kusch rugbekl.zb40 zwart grijs rh kort G3/Advance	01.01.2012 →	1
16	1547156	(Cover black and grey to adjustable backrest, SB44-46, short)	01.01.2012 →	1
17	1547158	(Cover black and grey to adjustable backrest, SB32-34, medium)	01.01.2012 →	1
18	1547159	(Cover black and grey to adjustable backrest, SB36-38, medium)	01.01.2012 →	1
19	1547160	K-serie G3 rugbekl.zb40- 42 rh34,5-40,5 zw/gr.ps	01.01.2012 →	1
20	1547161	K-Serie G3 rugbekl.zb44 zwart/grijs middel G3	01.01.2012 →	1
21	1547163	K-Serie G3 rugbekl.ZB32 34 zwart/grijs lang G3	01.01.2012 →	1
22	1547164	(Cover black and grey to adjustable backrest, SB36-38, long)	01.01.2012 →	1
23	1547165	K-Serie G3 rugbekl.zb42 zwart/grijs hoog	01.01.2012 →	1
24	1547166	(Cover black and grey to adjustable backrest, SB44-46, long)	01.01.2012 →	1
25	1512156	(Cover 'Aero' to adjustable backrest, SB32-34, short) <i>Replaces 1438446</i>		1
26	1512157	Kusch rughoes aero zb36- 38 kort Cha/K-serie/R33 <i>Replaces 1438448</i>		1
27	1512158	Kusch rughoes aero zb40- 42 kort ps <i>Replaces 1438450</i>		1
28	1512159	(Cover 'Aero' to adjustable backrest, SB44-46, short) <i>Replaces 1438452</i>		1
29	1512161	Kusch rughoes aero zb34 rh27-33 ps <i>Replaces 1438455</i>		1
30	1512162	(Cover 'Aero' to adjustable backrest, SB36-38, medium) <i>Replaces 1438457</i>		1
31	1512163	Kusch rughoes aero zb40- 42 med.ps <i>Replaces 1438459</i>		1
32	1512164	Kusch rughoes aero zb44- 46 med.ps <i>Replaces 1438461</i>		1
33	1512166	(Cover 'Aero' to adjustable backrest, SB32-34, long) <i>Replaces 1438464</i>		1
34	1512167	(Cover 'Aero' to adjustable backrest, SB36-38, long) <i>Replaces 1438466</i>		1
35	1512168	Kusch rughoes aero zb40- 42 rh42-48 ps <i>Replaces 1438468</i>		1
36	1512169	Kusch rughoes aero zb44- 46 rh42-48 ps <i>Replaces 1438470</i>		1

(Cover to adjustable backrest Alcantara)



1	1517466	(Cover to adjustable backrest Alcantara black SB 34 short) <i>Replaces 1497136</i>		1
2	1517467	(Cover to adjustable backrest Alcantara black SB 36-38 short) <i>Replaces 1497137</i>		1
3	1517468	(Cover to adjustable backrest Alcantara black SB 40-42 short) <i>Replaces 1497138</i>		1
4	1517469	(Cover to adjustable backrest Alcantara black SB 44-46 short) <i>Replaces 1497139</i>		1
5	1517470	(Cover to adjustable backrest Alcantara black SB 34 medium) <i>Replaces 1497140</i>		1
6	1517471	(Cover to adjustable backrest Alcantara black SB 36-38 medium) <i>Replaces 1497141</i>		1
7	1517472	(Cover to adjustable backrest Alcantara black SB 40-42 medium) <i>Replaces 1497142</i>		1
8	1517473	(Cover to adjustable backrest Alcantara black SB 44-46 medium) <i>Replaces 1497143</i>		1
9	1517474	(Cover to adjustable backrest Alcantara black SB 34 long) <i>Replaces 1497153</i>		1
10	1517475	(Cover to adjustable backrest Alcantara black SB 36-38 long) <i>Replaces 1497154</i>		1
11	1517476	(Cover to adjustable backrest Alcantara black SB 40-42 long) <i>Replaces 1497155</i>		1
12	1517477	(Cover to adjustable backrest Alcantara black SB 44-46 long) <i>Replaces 1497156</i>		1
13	1517490	(Cover to adjustable backrest Alcantara grey, dark grey SB 34 short) <i>Replaces 1497124</i>	01.01.2007 → 31.12.2011	1
14	1517491	(Cover to adjustable backrest Alcantara grey, dark grey SB 36-38 short) <i>Replaces 1497125</i>	01.01.2007 → 31.12.2011	1
15	1517492	(Cover to adjustable backrest Alcantara grey, dark grey SB 40-42 short) <i>Replaces 1497126</i>	01.01.2007 → 31.12.2011	1
16	1517493	(Cover to adjustable backrest Alcantara grey, dark grey SB 44 short) <i>Replaces 1497127</i>	01.01.2007 → 31.12.2011	1

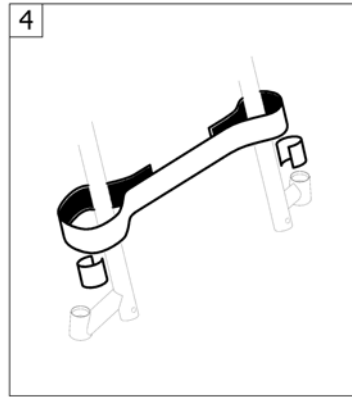
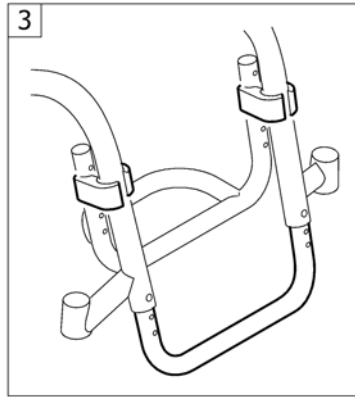
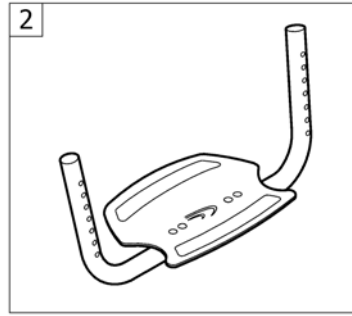
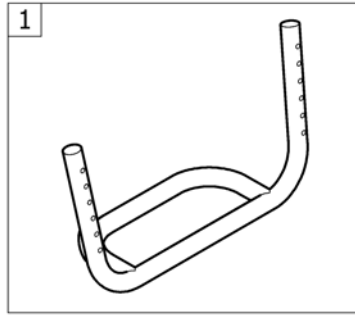
(Cover to adjustable backrest Alcantara)

17	1517494	(Cover to adjustable backrest Alcantara grey, dark grey SB 34 medium) <i>Replaces 1497128</i>	01.01.2007 → 31.12.2011	1
18	1517495	(Cover to adjustable backrest Alcantara grey, dark grey SB 36-38 medium) <i>Replaces 1497129</i>	01.01.2007 → 31.12.2011	1
19	1517496	(Cover to adjustable backrest Alcantara grey, dark grey SB 40-42 medium) <i>Replaces 1497130</i>	01.01.2007 → 31.12.2011	1
20	1517497	(Cover to adjustable backrest Alcantara grey, dark grey SB 44 medium) <i>Replaces 1497131</i>	01.01.2007 → 31.12.2011	1
21	1517498	(Cover to adjustable backrest Alcantara grey, dark grey SB 34 long) <i>Replaces 1497132</i>	01.01.2007 → 31.12.2011	1
22	1517499	(Cover to adjustable backrest Alcantara grey, dark grey SB 36-38 long) <i>Replaces 1497133</i>	01.01.2007 → 31.12.2011	1
23	1517500	(Cover to adjustable backrest Alcantara grey, dark grey SB 40-42 long) <i>Replaces 1497134</i>	01.01.2007 → 31.12.2011	1
24	1517501	(Cover to adjustable backrest Alcantara grey, dark grey SB 44 long) <i>Replaces 1497135</i>	01.01.2007 → 31.12.2011	1
25	1542689	(Cover to adjustable backrest Alcantara black, grey SB 34 short)	01.07.2010 →	1
26	1542690	(Cover to adjustable backrest Alcantara black, grey SB 36-38 short)	01.07.2010 →	1
27	1542691	(Cover to adjustable backrest Alcantara black, grey SB 40-42 short)	01.07.2010 →	1
28	1542692	(Cover to adjustable backrest Alcantara black, grey SB 44 short)	01.07.2010 →	1
29	1542693	(Cover to adjustable backrest Alcantara black, grey SB 34 medium)	01.07.2010 →	1
30	1542694	(Cover to adjustable backrest Alcantara black, grey SB 36-38 medium)	01.07.2010 →	1
31	1542695	(Cover to adjustable backrest Alcantara black, grey SB 40-42 medium)	01.07.2010 →	1
32	1542696	(Cover to adjustable backrest Alcantara black, grey SB 44 medium)	01.07.2010 →	1
33	1542697	(Cover to adjustable backrest Alcantara black, grey SB 34 long)	01.07.2010 →	1
34	1542698	(Cover to adjustable backrest Alcantara black, grey SB 36-38 long)	01.07.2010 →	1
35	1542699	(Cover to adjustable backrest Alcantara black, grey SB 40-42 long)	01.07.2010 →	1
36	1542700	(Cover to adjustable backrest Alcantara black, grey SB 44 long)	01.07.2010 →	1
37	1517478	(Cover to adjustable backrest Alcantara grey, red SB 34 short) <i>Replaces 1497112</i>		1
38	1517479	(Cover to adjustable backrest Alcantara grey, red SB 36-38 short) <i>Replaces 1497113</i>		1
39	1517480	(Cover to adjustable backrest Alcantara grey, red SB 40-42 short) <i>Replaces 1497114</i>		1
40	1517481	(Cover to adjustable backrest Alcantara grey, red SB 44 short) <i>Replaces 1497115</i>		1
41	1517482	(Cover to adjustable backrest Alcantara grey, red SB 34 medium) <i>Replaces 1497116</i>		1
42	1517483	(Cover to adjustable backrest Alcantara grey, red SB 36-38 medium) <i>Replaces 1497117</i>		1
43	1517484	R33 rugbekleding zb40 rh34,5-40,5 m grijs/rood <i>Replaces 1497118</i>		1
44	1517485	(Cover to adjustable backrest Alcantara grey, red SB 44 medium) <i>Replaces 1497119</i>		1
45	1517486	(Cover to adjustable backrest Alcantara grey, red SB 34 long) <i>Replaces 1497120</i>		1
46	1517487	(Cover to adjustable backrest Alcantara grey, red SB 36-38 long) <i>Replaces 1497121</i>		1
47	1517488	(Cover to adjustable backrest Alcantara grey, red SB 40-42 long) <i>Replaces 1497122</i>		1
48	1517489	(Cover to adjustable backrest Alcantara grey, red SB 44 long) <i>Replaces 1497123</i>		1
49	1517502	(Cover to adjustable backrest Alcantara black, red SB 34 short)	01.01.2008 →	1
50	1517503	(Cover to adjustable backrest Alcantara black, red SB 36-38 short)	01.01.2008 →	1
51	1517504	(Cover to adjustable backrest Alcantara black, red SB 40-42 short)	01.01.2008 →	1

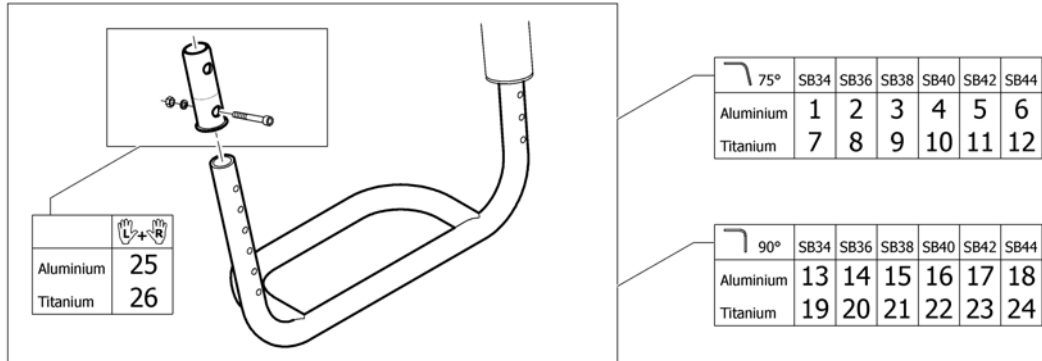
(Cover to adjustable backrest Alcantara)

52	1517505	(Cover to adjustable backrest Alcantara black, red SB 44 short)	01.01.2008 →	1
53	1517506	(Cover to adjustable backrest Alcantara black, red SB 34 medium)	01.01.2008 →	1
54	1517507	(Cover to adjustable backrest Alcantara black, red SB 36-38 medium)	01.01.2008 →	1
55	1517508	(Cover to adjustable backrest Alcantara black, red SB 40-42 medium)	01.01.2008 →	1
56	1517509	(Cover to adjustable backrest Alcantara black, red SB 44 medium)	01.01.2008 →	1
57	1517510	(Cover to adjustable backrest Alcantara black, red SB 34 long)	01.01.2008 →	1
58	1517511	(Cover to adjustable backrest Alcantara black, red SB 36-38 long)	01.01.2008 →	1
59	1517512	(Cover to adjustable backrest Alcantara black, red SB 40-42 long)	01.01.2008 →	1
60	1517513	(Cover to adjustable backrest Alcantara black, red SB 44 long)	01.01.2008 →	1

(FOOTREST)

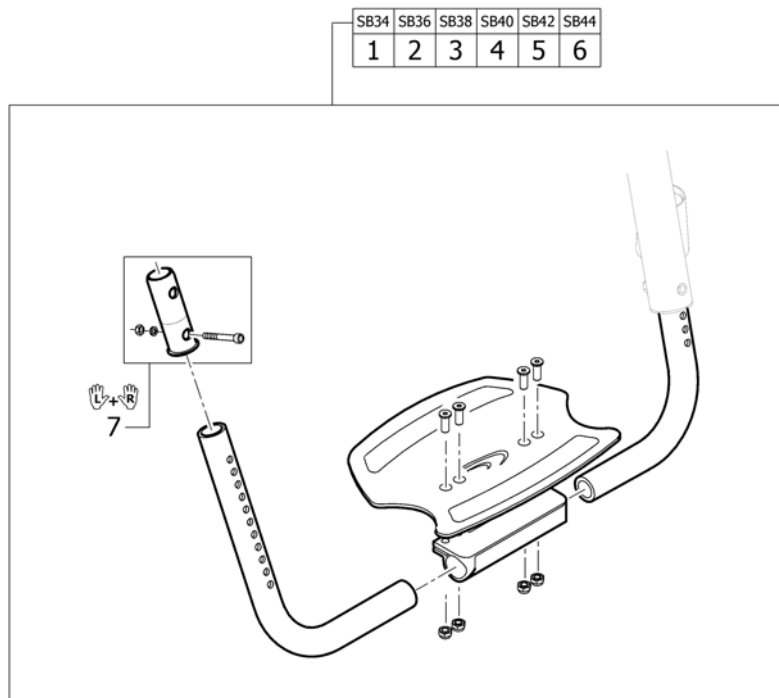


1	-	(Footrest standard)	1
2	-	(Footrest angle adjustable)	1
3	-	(Footrest mounted in high position)	1
4	-	(Calf strap)	1



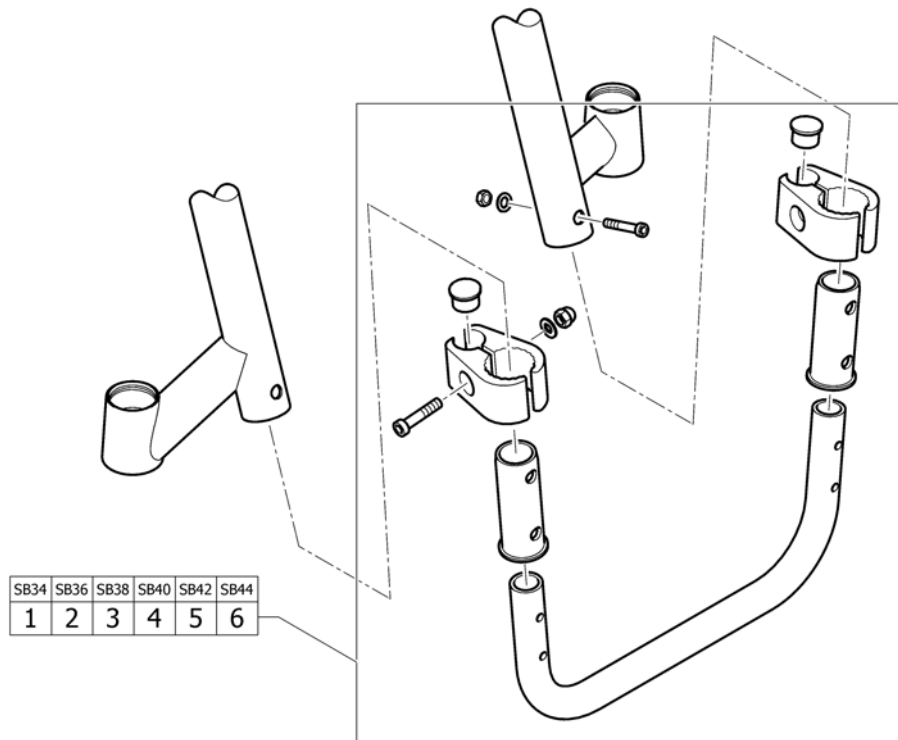
1	1505353	(Footrest 75° SB34 Alu)	1
2	1505354	(Footrest 75° SB36 Alu)	1
3	1505355	(Footrest 75° SB38 Alu)	1
4	1505356	(Footrest 75° SB40 Alu)	1
5	1505357	(Footrest 75° SB42 Alu)	1
6	1505358	(Footrest 75° SB44 Alu)	1
7	1505365	(Footrest 75° SB34 Titan)	1
8	1505366	(Footrest 75° SB36 Titan)	1
9	1505367	(Footrest 75° SB38 Titan)	1
10	1505368	(Footrest 75° SB40 Titan)	1
11	1505369	(Footrest 75° SB42 Titan)	1
12	1505370	(Footrest 75° SB44 Titan)	1
13	1505359	(Footrest 90° SB34 Alu)	1
14	1505360	(Footrest 90° SB36 Alu)	1
15	1505361	(Footrest 90° SB38 Alu)	1
16	1505362	(Footrest 90° SB40 Alu)	1
17	1505363	(Footrest 90° SB42 Alu)	1
18	1505364	Kusch R33 voetbeugel 90 graden zb44	1
19	1505371	(Footrest 90° SB34 Titan)	1
20	1505372	(Footrest 90° SB36 Titan)	1
21	1505373	(Footrest 90° SB38 Titan)	1
22	1505374	(Footrest 90° SB40 Titan)	1
23	1505375	(Footrest 90° SB42 Titan)	1
24	1505376	(Footrest 90° SB44 Titan)	1
25	1532398	(Fixation kit footplate telescope)	1
26	1451717	(Footplate sleeve Titanium)	1

(Footrest angle adjustable)



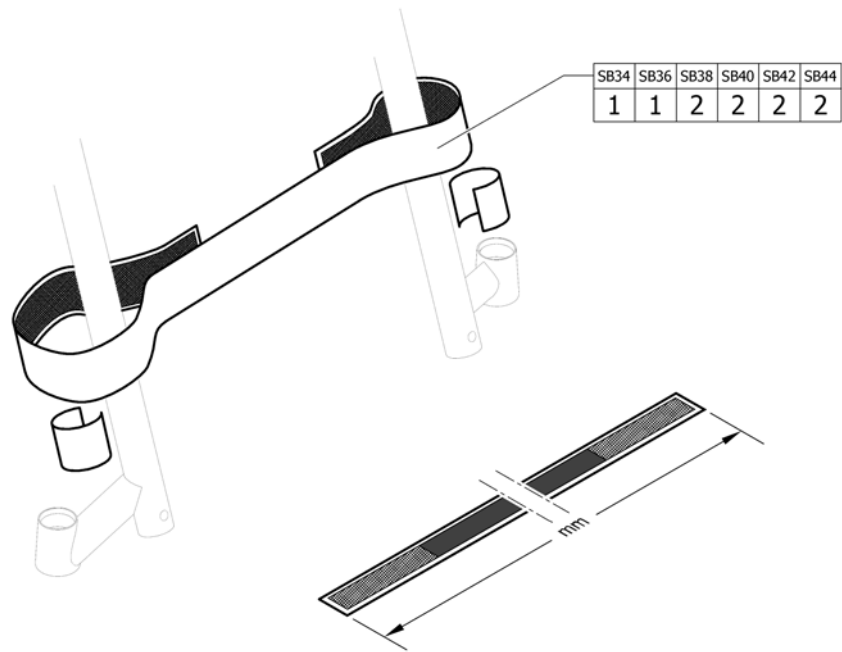
1	1505377	(Footrest, angle adjustable SB34)	1
2	1505378	(Footrest, angle adjustable SB36)	1
3	1505379	(Footrest, angle adjustable SB38)	1
4	1505380	(Footrest, angle adjustable SB40)	1
5	1505381	(Footrest, angle adjustable SB42)	1
6	1505382	(Footrest, angle adjustable SB44)	1
7	1532398	(Fixation kit footplate telescope)	1

(Footrest mounted in high position)

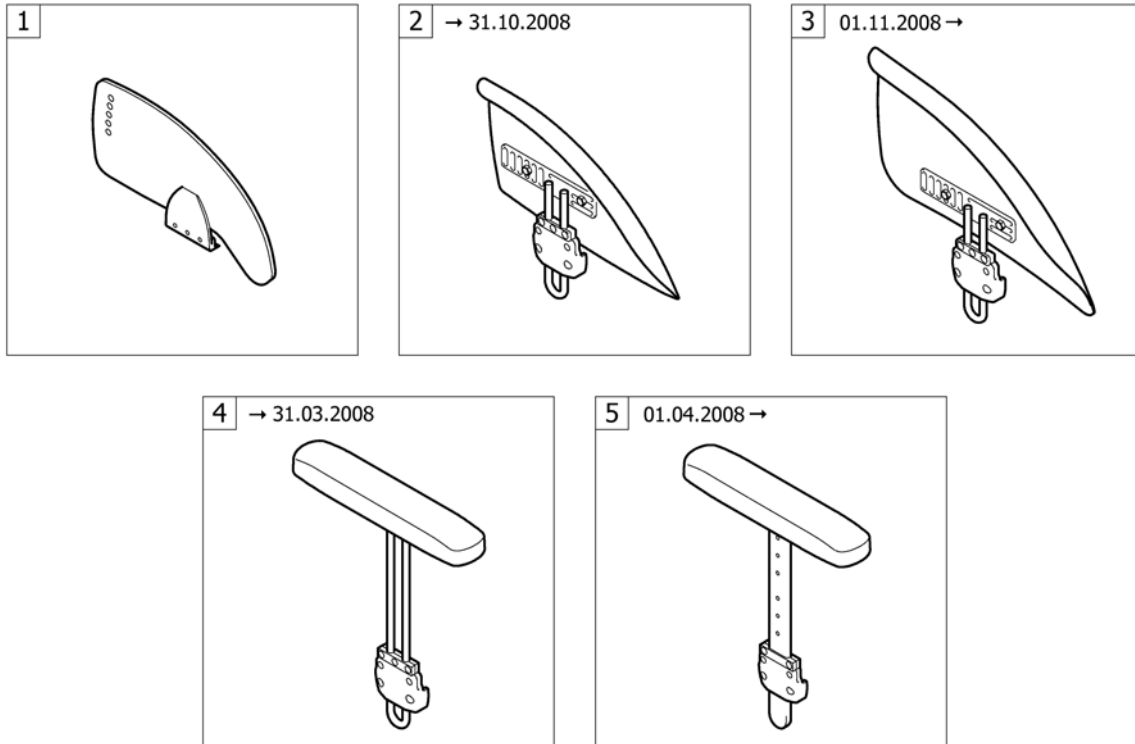


1	1505383	(Tube set for footrest, mounted in high position, SB34)	1
2	1505384	(Tube set for footrest, mounted in high position, SB36)	1
3	1505385	(Tube set for footrest, mounted in high position, SB38)	1
4	1505386	(Tube set for footrest, mounted in high position, SB40)	1
5	1505387	(Tube set for footrest, mounted in high position, SB42)	1
6	1505388	(Tube set for footrest, mounted in high position, SB44)	1

(Calf strap)

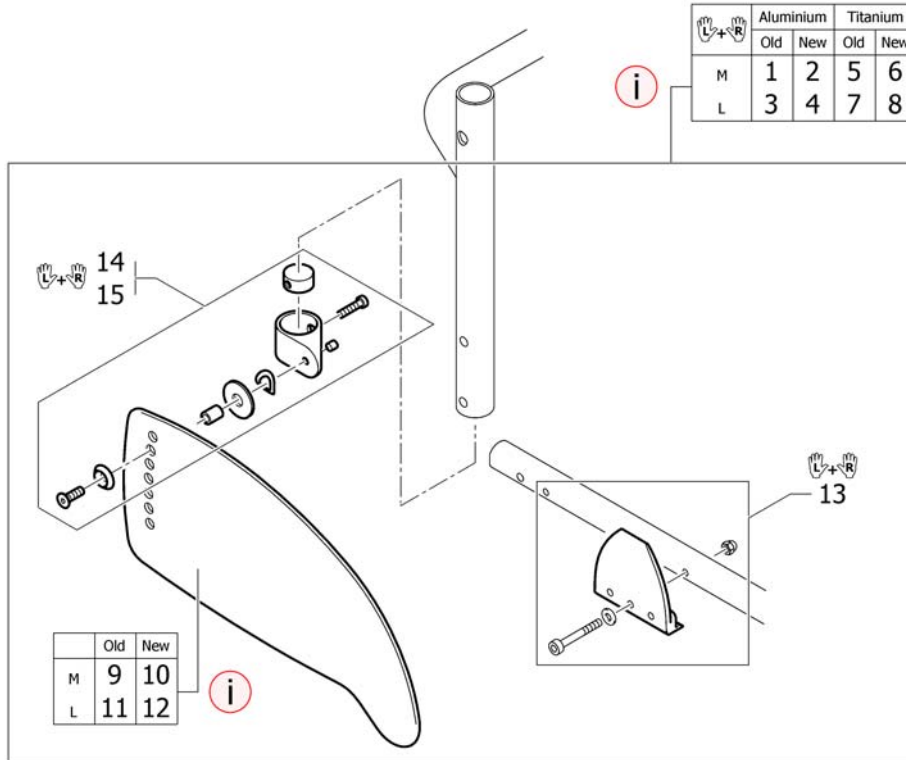


1	1561528	(Calf strap complete, 780mm)	1
2	1561529	(Calf strap complete, 940mm)	1



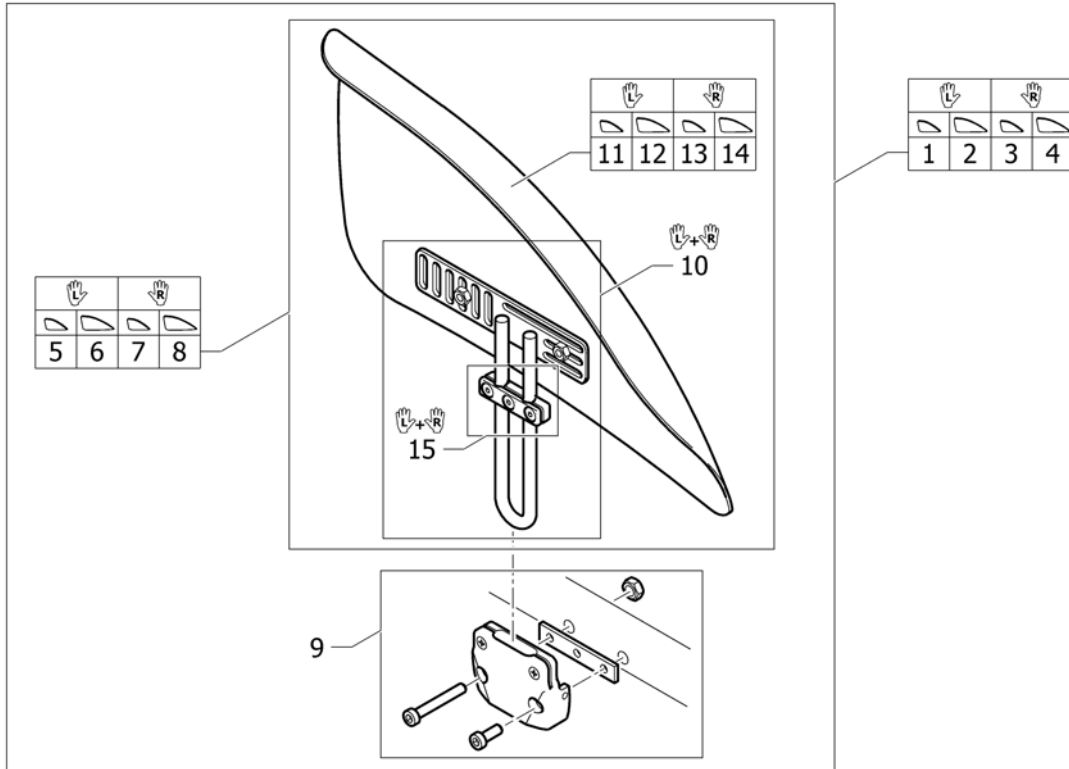
1	-	(Clothes-guards)		1
3	-	(Mudguards 01.11.2008=>)		1
5	-	(Siderest height adjustable 01.04.2008=>)	→ 31.12.2014	1

(Clothes-guards)



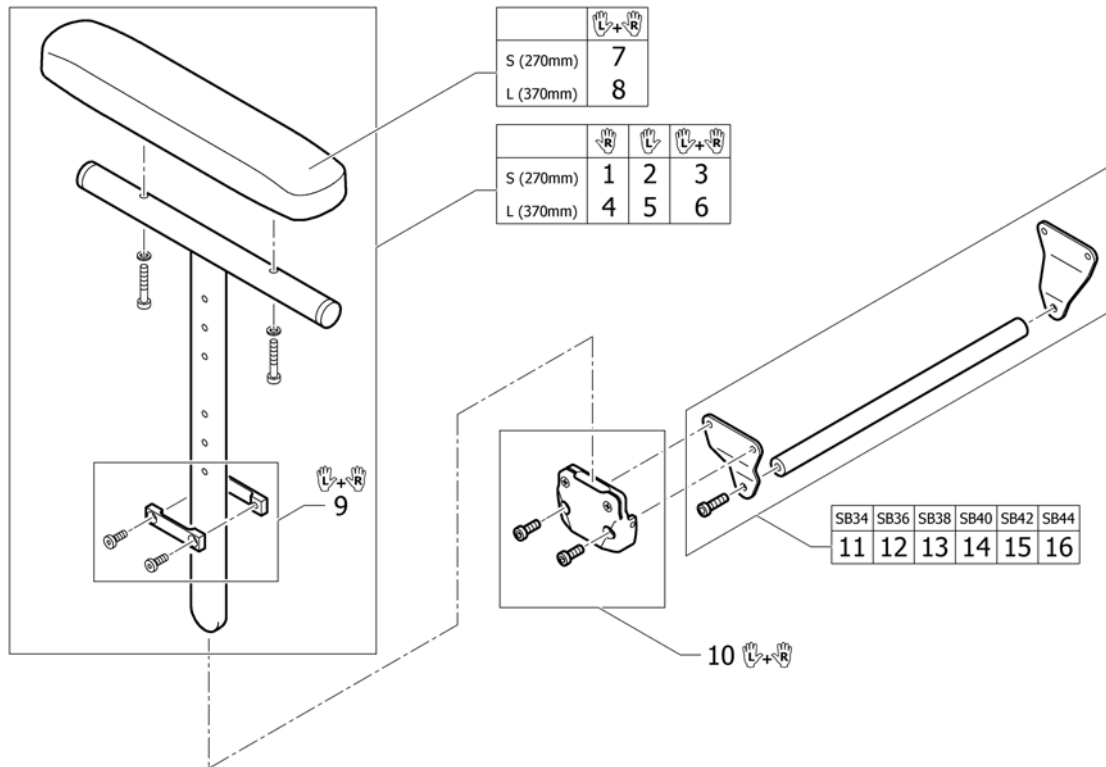
i	-	(New design with improved profile ensures better coverage. Recommended as a pair.)		0
2	1578798	(Clothes-guards Carbon M with fixation kit to backrest Aluminium, pair)	01.03.2009 →	1
4	1578799	(Clothes-guards Carbon L with fixation kit to backrest Aluminium, pair)	11.12.2008 →	1
6	1578796	(Clothes-guards Carbon M with fixation kit to backrest Titan, pair)	01.03.2009 →	1
8	1578797	(Clothes-guards Carbon L with fixation kit to backrest Titan, pair)	11.12.2008 →	1
10	1547461	K-Serie G3 kled.besch. carbon maat m ps	01.03.2009 →	2
12	1547462	K-Serie G3 kled.besch. carbon maat l ps	11.12.2008 →	2
13	1505389	(Fixation kit clothes-guard to frame)		1
14	1451722	K-Serie kled.besch.fixatie Airlite ps		1
15	1505390	(Fixation kit clothes-guard to backrest Titanium)		1

(Mudguards 01.11.2008=>)

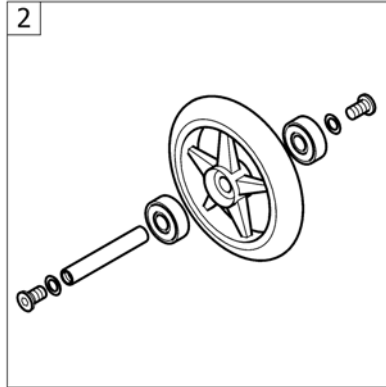
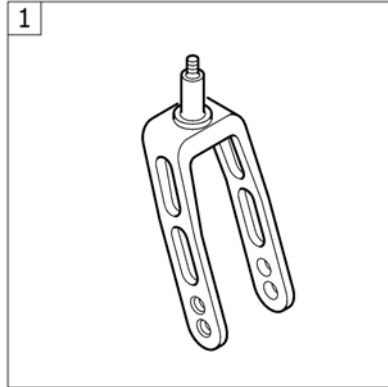


1	1529308	K-Serie spatb.med.kort+ bev.carbon li >2005	01.11.2008 →	1
2	1529309	K-Serie spatb.lang kort +bev.carb links <2005	01.11.2008 →	1
3	1529310	K-Serie spatb.med.kort+ bev.carbon re >2005	01.11.2008 →	1
4	1529311	K-Serie spatb.lang kort +bev.carb rechts <2005	01.11.2008 →	1
5	1529300	Kusch spatbord med.kort + bev.carbon links	01.11.2008 →	1
6	1529301	(Mudguard Carbon left L short)	01.11.2008 →	1
7	1529302	(Mudguard Carbon right M short)	01.11.2008 →	1
8	1529303	(Mudguard Carbon right L short)	01.11.2008 →	1
9	1451727	K-Serie 2005 spatbord bev.set op frame ps		1
10	1451728	(Mudguard holder short, pair)		1
11	1510275	Kusch spatbord med.re ex bev.K-Serie/R33/Ch/UI	01.11.2008 →	1
12	1510277	Kusch spatbord large li ex bev.K-Serie/R33/Ch/UI	01.11.2008 →	1
13	1510276	Kusch spatbord med.li ex bev.K-Serie/R33/Ch/UI	01.11.2008 →	1
14	1510278	Kusch spatbord large re ex bev.K-Serie/R33/Ch/UI	01.11.2008 →	1
15	1437465	Kusch armst.T-stuk clamp bev.set ps		1

(Siderest height adjustable 01.04.2008=>)

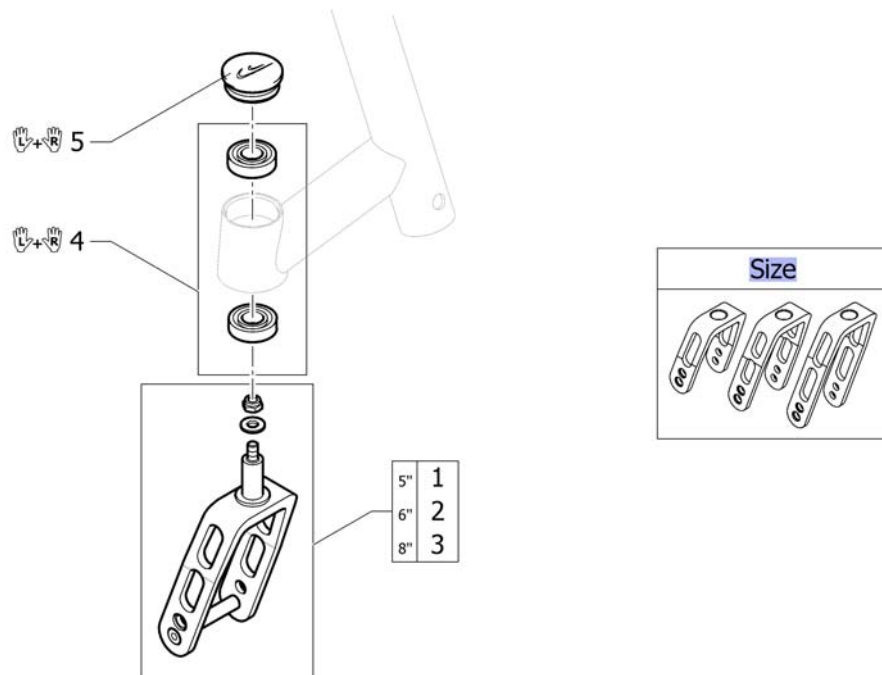


1	1517677	Kusch armst.i.h.v.kort re >04-08 K-Serie 05	01.04.2008 → 31.12.2014	1
2	1517678	Kusch armst.i.h.v.kort li >04-08 K-Serie 05	01.04.2008 → 31.12.2014	1
3	1517682	Kusch armst.h.i.kort pp	01.04.2008 → 31.12.2014	1
4	1517679	Kusch armst.i.h.v.lang re >04-08 ex.bev.ps	01.04.2008 → 31.12.2014	1
5	1517680	Kusch armst.i.h.v.lang li >04-08 ex.bev.ps	01.04.2008 → 31.12.2014	1
6	1517683	Kusch armst.h.i.lang pp Fus/R33/K-Jr/K-Serie	01.04.2008 → 31.12.2014	1
7	1439497	Compact arml.medium pp	→ 31.12.2014	1
8	1439498	Compact arml.large pp	→ 31.12.2014	1
9	1517681	Kusch armst.i.h.v.bev. set pp K-Serie/R33	→ 31.12.2014	1
10	1505391	Kusch armst.T-model adap tor op frame pp K4-05/R3	→ 31.12.2014	1
11	1505433	(Bracket kit for siderest SB34)	→ 31.12.2014	1
12	1505434	(Bracket kit for siderest SB36)	→ 31.12.2014	1
13	1505561	Kusch armst.T-model verb as zb38 cpl	→ 31.12.2014	1
14	1505562	Kusch armst.T-model verb as zb40 cpl K4-05/R33	→ 31.12.2014	1
15	1505563	Kusch armst.T-model verb as zb42 cpl K4-05/R33	→ 31.12.2014	1
16	1505564	Kusch armst.T-model verb as zb44 cpl K4-05/R33	→ 31.12.2014	1



1	-	(Front wheel supporter)	1
2	-	(Front wheels)	1

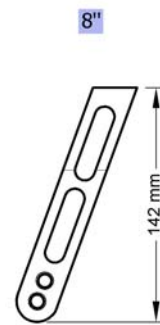
(Front wheel supporter)



Size	-	(Configuration table for front fork size)		0
1	1432004-0004	Kusch voorw.vork 5'+as zwart ps Champ/Fusion		2
1	1432004-0001	(Front fork 5" with bolt, chrome)		2
1	1432004-0182	(Front fork 5" with bolt, champagne)	01.01.2013 →	2
1	1432004-0183	(Front fork 5" with bolt, olive)	01.01.2013 →	2
1	1432004-0400	Kusch voorw.vork 5'+as techno anth.ps Champ/Fus		2
1	1432004-0401	Kusch voorw.vork 5'+as CPS lemon ps Champ/Fusio	01.01.2007 → 31.12.2012	2
1	1432004-0404	(Front fork 5" with bolt, b-blue)		2
1	1432004-0440	(Front fork 5" with bolt, comet red)		2
1	1432004-0441	(Front fork 5" with bolt, arctic blue)		2
2	1432005-0004	Kusch voorw.vork 6'+as ps Champ/Fusion		2
2	1432005-0001	(Front fork 6" with bolt, chrome)		2
2	1432005-0182	(Front fork 6" with bolt, champagne)	01.01.2013 →	2
2	1432005-0183	(Front fork 6" with bolt, olive)	01.01.2013 →	2
2	1432005-0400	Kusch voorw.vork 6'+as techno-anth.ps.Champ/Fus		2
2	1432005-0401	(Front fork 6" with bolt, lemon)	01.01.2007 → 31.12.2012	2
2	1432005-0404	Kusch voorw.vork 6'+as b-blue K/R33/Fus/Champ		2
2	1432005-0440	(Front fork 6" with bolt, comet red)		2
2	1432005-0441	(Front fork 6" with bolt, arctic blue)		2
3	1432006-0004	Fusion voorw.vork 8' zwart ps		2
3	1432006-0001	(Front fork 8" with bolt, chrome)		2
3	1432006-0182	(Front fork 8" with bolt, champagne)	01.01.2013 →	2
3	1432006-0183	(Front fork 8" with bolt, olive)	01.01.2013 →	2
3	1432006-0400	Fusion voorw.vork 8' techno antharciet ps		2
3	1432006-0401	(Front fork 8" with bolt, lemon)	01.01.2007 → 31.12.2012	2
3	1432006-0404	(Front fork 8" with bolt, b-blue)		2
3	1432006-0440	(Front fork 8" with bolt, comet red)		2
3	1432006-0441	(Front fork 8" with bolt, arctic blue)		2
4	1451718	K-Serie 2005 voorw.vork lager set (set = 4 stuks)		1

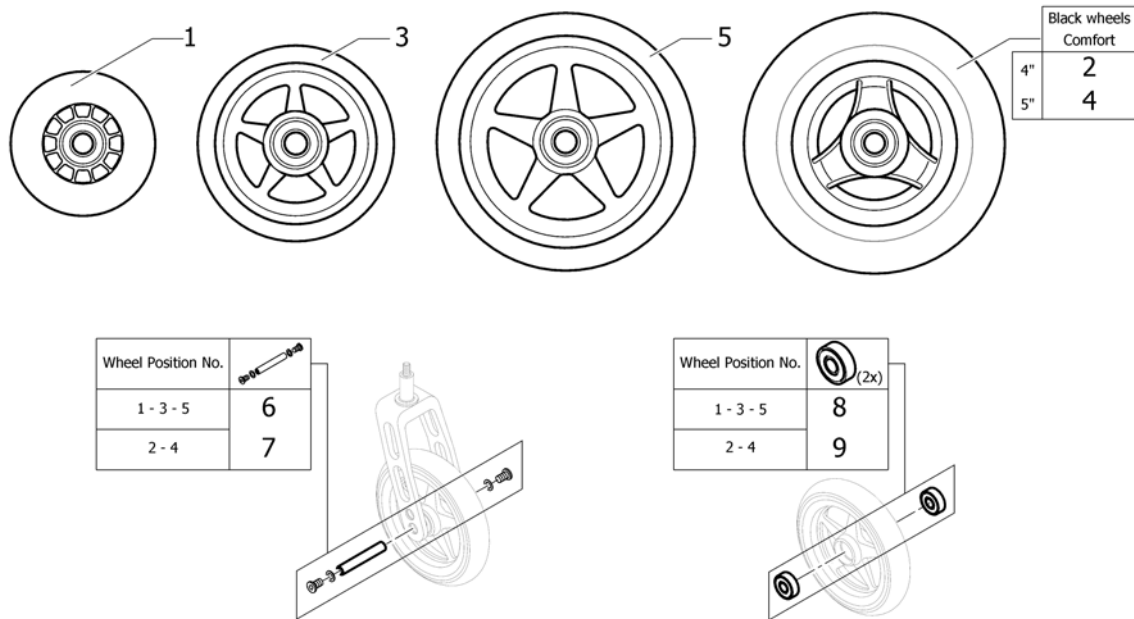
5	1487961-0004	Kusch balhoofd afdekdop zwart pp		1
5	1487961-0001	(Bearing block cap pair, chrome)		1
5	1487961-0182	(Bearing block cap pair, champagne)	01.01.2013 →	1
5	1487961-0183	(Bearing block cap pair, olive)	01.01.2013 →	1
5	1487961-0400	(Bearing block cap pair, techno-anthrazit)		1
5	1487961-0401	K-Junior balhoofd afdekdop limoen pp	01.01.2007 → 31.12.2012	1
5	1487961-0404	Kusch balhoofd afdekdop b-blauw pp		1
5	1487961-0440	(Bearing block cap pair, comet red)		1
5	1487961-0441	(Bearing block cap pair, arctic blue)		1

(Configuration table for front fork size)



5" -	(Front fork, Size 5")	0
6" -	(Front fork, Size 6")	0
8" -	(Front fork, Size 8")	0

(Front wheels)

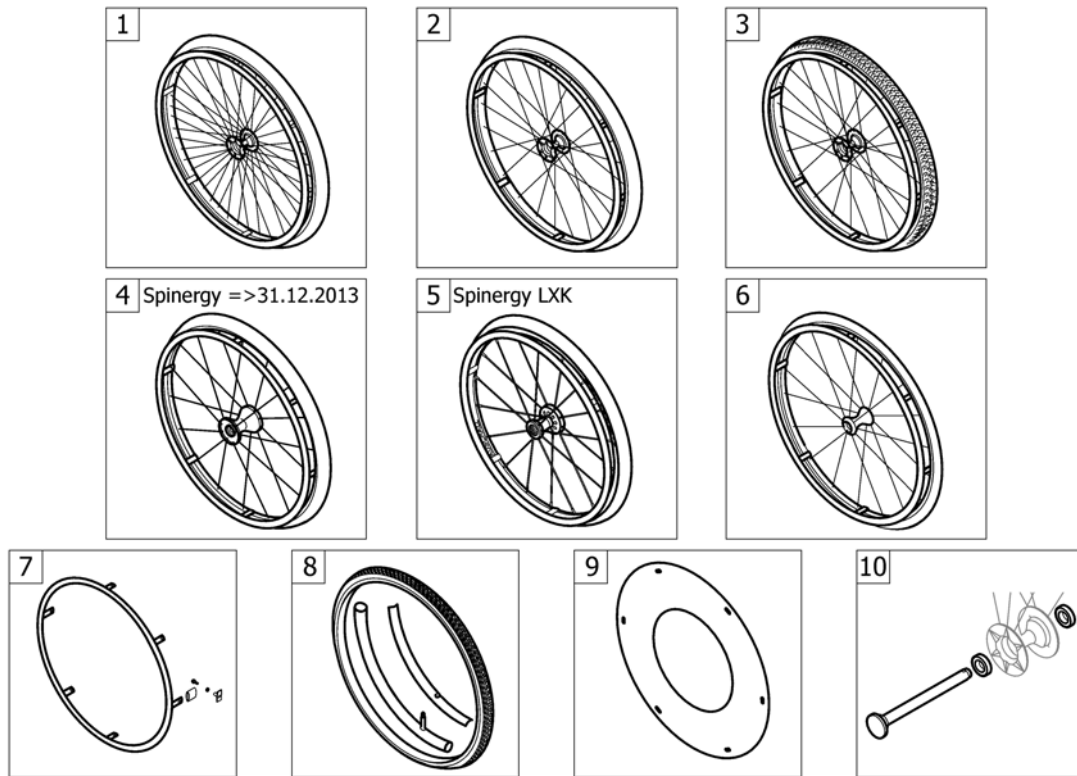


1	1513180	(3" Sports wheel, transparent) <i>Replaces 732.1026</i>		2
2	1561139	Wiel 4'comfort zwart Kusch	01.07.2012 →	2
3	1513183-0004	(4" Starec wheel, glossy black anodized) <i>Replaces 1513183-0408</i>		2
3	1513183-0001	(4" Starec wheel, chrome)	01.07.2011 →	2
3	1513183-0182	(4" Starec wheel, champagne)	01.01.2013 →	2
3	1513183-0183	(4" Starec wheel, olive)	01.01.2013 →	2
3	1513183-0400	Wiel 4'starec techno antraciet ps Kusch <i>Replaces 1420968-0400</i>		2
3	1513183-0401	Wiel 4'starec lemon ps Kusch <i>Replaces 1420968-0401</i>	01.01.2007 → 31.12.2012	2
3	1513183-0404	(4" Starec wheel, b-blue) <i>Replaces 1420968-0404</i>		2
3	1513183-0440	Wiel 4'starec rood ps Kusch <i>Replaces 1420968-0440</i>		2
3	1513183-0441	(4" Starec wheel, arctic blue) <i>Replaces 1420968-0441</i>		2
4	1542640	Wiel 5'comfort zwart Kusch ps <i>Replaces 1513186</i>		2
5	1513187-0004	(5" Starec wheel, black anodized) <i>Replaces 732.1032.961</i>		2
5	1513187-0001	(5" Starec wheel, chrome)	01.07.2011 →	2
5	1513187-0182	(5" Starec wheel, champagne)	01.01.2013 →	2
5	1513187-0183	(5" Starec wheel, olive)	01.01.2013 →	2
5	1513187-0400	Wiel 5'starec techno antr.ps Kusch <i>Replaces 732.1032.950</i>		2
5	1513187-0401	(5" Starec wheel, lemon) <i>Replaces 732.1032.951</i>	01.01.2007 → 31.12.2012	2
5	1513187-0404	(5" Starec wheel, b-blue) <i>Replaces 732.1032.957</i>		2
5	1513187-0440	(5" Starec wheel, comet red) <i>Replaces 732.1032-0440</i>		2

(Front wheels)

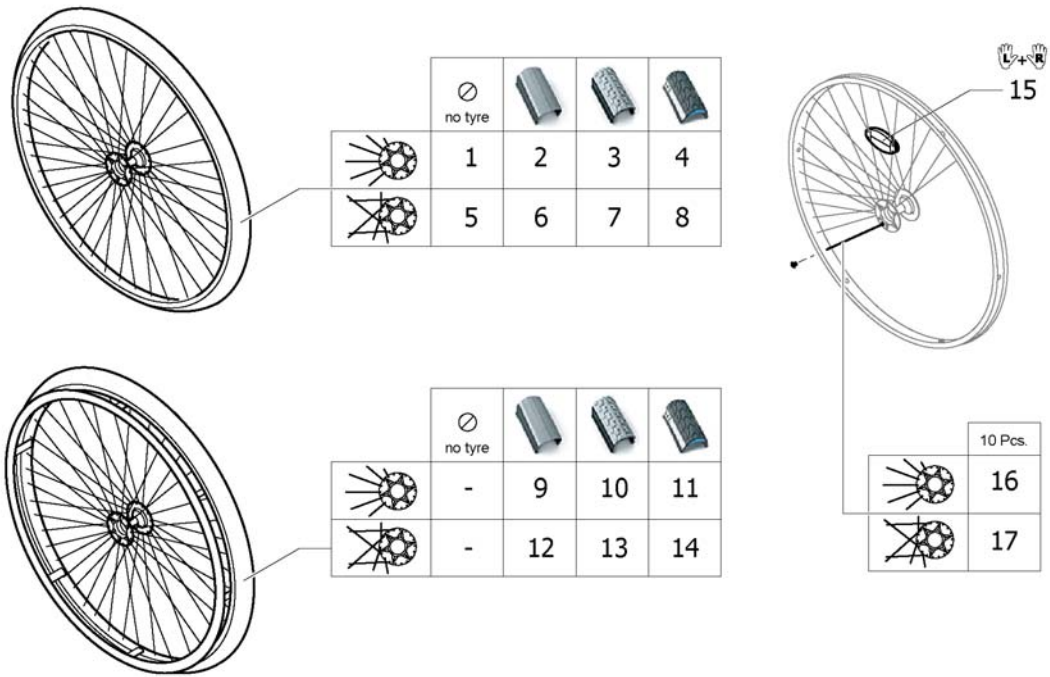
5	1513187-0441	(5" Starec wheel, arctic blue) <i>Replaces 732.1032-0441</i>	2
6	1420972	Kusch as set tbv.starec/ skate wiel	2
7	1570108	Kusch voorw.as pp	2
8	1570104	Kusch voorwiellager pp 608-2RS 8/22*7	2
9	1570105	(Ball bearing 6000-2RS, pair)	2

(REAR WHEELS)



1	-	(Küschall Starec wheels)		1
2	-	(High Performance wheel)		1
3	-	(Mountain bike wheel)		1
4	-	(Spinerger wheel)	01.01.2007 → 31.12.2013	1
5	-	(Spinerger LXX wheel)	01.01.2014 →	1
6	-	(Ultra-light fibre wheel)	01.07.2011 → 31.12.2013	1
7	-	(Handrim)		1
8	-	(Tyre)		1
9	-	(Spokes guard)		1
10	-	(Quick release axle and bearing)		1

(Küschall Starec wheels)



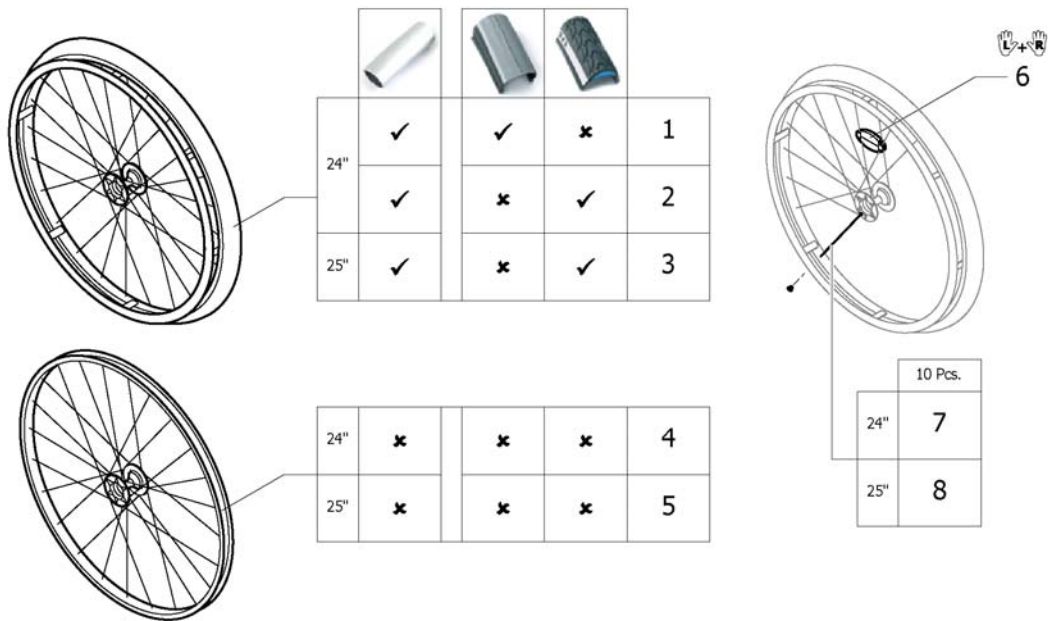
1	1567103-0407	Wiel 24'starec rad.ex bubu/hoepel Kusch ps <i>Replaces 904.1082</i>	01.01.2007 → 31.12.2014	2
1	1567103-0001	(Rear wheel 24" Starec R, chrome, without handrim, without tyre) <i>Replaces 904.1082-0001</i>	01.07.2011 → 31.12.2014	2
1	1567103-0182	(Rear wheel 24" Starec R, champagne, without handrim, without tyre)	01.01.2013 → 31.12.2014	2
1	1567103-0183	(Rear wheel 24" Starec R, olive, without handrim, without tyre)	01.01.2013 → 31.12.2014	2
1	1567103-0400	(Rear wheel 24" Starec R, tecno, without handrim, without tyre) <i>Replaces 904.1082.950</i>	01.01.2007 → 31.12.2014	2
1	1567103-0401	(Rear wheel 24" Starec R, lemon, without handrim, without tyre) <i>Replaces 904.1082.951</i>	01.01.2007 → 31.12.2012	2
1	1567103-0404	(Rear wheel 24" Starec R, b-blue, without handrim, without tyre) <i>Replaces 904.1082.957</i>	01.01.2007 → 31.12.2014	2
1	1567103-0440	(Rear wheel 24" Starec R, comet red, without handrim, without tyre) <i>Replaces 904.1082-0440</i>	01.01.2007 → 31.12.2014	2
1	1567103-0441	(Rear wheel 24" Starec R, arctic blue, without handrim, without tyre) <i>Replaces 904.1082-0441</i>	01.01.2007 → 31.12.2014	2
2	904.1161	Wiel 24'starec rad.licht lopend ex.hoepel Kusch	01.01.2007 → 31.12.2014	2
3	904.1160	(Rear wheel 24", Starec hub R, without handrim, Tread)	01.01.2007 → 31.12.2014	2
4	1554397-0407	(Rear wheel 24", Starec R, colourless, without handrim, marathon evolution)	01.01.2007 → 31.12.2014	2
4	1554397-0001	(Rear wheel 24" Starec R, chrome, without handrim, marathon evolution)	01.07.2011 → 31.12.2014	2
4	1554397-0182	(Rear wheel 24" Starec R, champagne, without handrim, marathon evolution)	01.01.2013 → 31.12.2014	2
4	1554397-0183	(Rear wheel 24" Starec R, olive, without handrim, marathon evolution)	01.01.2013 → 31.12.2014	2

4	1554397-0400	(Rear wheel 24" Starec R, tecno, without handrim, marathon evolution)	01.01.2007 → 31.12.2014	2
4	1554397-0401	(Rear wheel 24" Starec R, lemon, without handrim, marathon evolution)	01.01.2007 → 31.12.2012	2
4	1554397-0404	(Rear wheel 24" Starec R, b-blue, without handrim, marathon evolution)	01.01.2007 → 31.12.2014	2
4	1554397-0440	(Rear wheel 24" Starec R, comet red, without handrim, marathon evolution)	01.01.2007 → 31.12.2014	2
4	1554397-0441	(Rear wheel 24" Starec R, arctic blue, without handrim, marathon evolution)	01.01.2007 → 31.12.2014	2
5	1567104-0407	Kusch velg 24'starec gekr.ex.hoepel/buba ps <i>Replaces 1416885</i>		2
5	1567104-0001	(Rear wheel 24", Starec X, chrome, without handrim, without tyre) <i>Replaces 904.1132-0001</i>	01.07.2011 →	2
5	1567104-0182	(Rear wheel 24", Starec X, champagne, without handrim, without tyre)	01.01.2013 →	2
5	1567104-0183	(Rear wheel 24" Starec X, olive, without handrim, without tyre)	01.01.2013 →	2
5	1567104-0400	(Rear wheel 24" Starec X, Tecno, without handrim, without tyre) <i>Replaces 904.1132.950</i>		2
5	1567104-0401	(Rear wheel 24" Starec X, Lemon, without handrim, without tyre) <i>Replaces 904.1132.951</i>	01.01.2007 → 31.12.2012	2
5	1567104-0404	(Rear wheel 24" Starec X, B-blue, without handrim, without tyre) <i>Replaces 904.1132.957</i>		2
5	1567104-0440	(Rear wheel 24" Starec X, Comet red, without handrim, without tyre) <i>Replaces 904.1132-0440</i>		2
5	1567104-0441	(Rear wheel 24" Starec X, arctic blue, without handrim, without tyre) <i>Replaces 904.1132-0441</i>		2
6	1570471	(Rear wheel 24", Starec hub X, without handrim, light wall tyre)		2
7	904.1141	(Rear wheel 24", Starec hub X, without handrim, Tread)		2
8	1554399-0407	(Rear wheel 24", Starec X, colourless, without handrim, marathon evolution)		2
8	1554399-0001	(Rear wheel 24" Starec X, chrome, without handrim, marathon evolution)	01.07.2011 →	2
8	1554399-0182	(Rear wheel 24" Starec X, champagne, without handrim, marathon evolution)	01.01.2013 →	2
8	1554399-0183	(Rear wheel 24" Starec X, olive, without handrim, marathon evolution)	01.01.2013 →	2
8	1554399-0400	(Rear wheel 24" Starec X, tecno, without handrim, marathon evolution)		2
8	1554399-0401	(Rear wheel 24" Starec X, lemon, without handrim, marathon evolution)	01.01.2007 → 31.12.2012	2
8	1554399-0404	(Rear wheel 24" Starec X, b-blue, without handrim, marathon evolution)		2
8	1554399-0440	(Rear wheel 24" Starec X, comet red, without handrim, marathon evolution)		2
8	1554399-0441	(Rear wheel 24" Starec X, arctic blue, without handrim, marathon evolution)		2
9	904.1152	Wiel 24'starec rad.licht lopend+hoepel Kusch ps	01.01.2007 → 31.12.2014	2
10	904.1151	(Rear wheel 24", Starec hub R, handrim, Tread)	01.01.2007 → 31.12.2014	2
11	1554398-0407	(Rear wheel 24", Starec R, colourless, handrim, marathon evolution)	01.01.2007 → 31.12.2014	2
11	1554398-0001	(Rear wheel 24" Starec R, chrome, handrim, marathon evolution)	01.07.2011 → 31.12.2014	2
11	1554398-0182	(Rear wheel 24" Starec R, champagne, handrim, marathon evolution)	01.01.2013 → 31.12.2014	2
11	1554398-0183	(Rear wheel 24" Starec R, olive, handrim, marathon evolution)	01.01.2013 → 31.12.2014	2
11	1554398-0400	Wiel 24'starec rad.marathon+hoepel techno	01.01.2007 → 31.12.2014	2
11	1554398-0401	(Rear wheel 24" Starec R, lemon, handrim, marathon evolution)	01.01.2007 → 31.12.2012	2
11	1554398-0404	(Rear wheel 24" Starec R, b-blue, handrim, marathon evolution)	01.01.2007 → 31.12.2014	2

(Küs chall Starec wheels)

11	1554398-0440	(Rear wheel 24" Starec R, comet red, handrim, marathon evolution)	01.01.2007 → 31.12.2014	2
11	1554398-0441	(Rear wheel 24" Starec R, arctic blue, handrim, marathon evolution)	01.01.2007 → 31.12.2014	2
12	1570472	Wiel 24'starec kruis lic htl.+hoepel Kusch ps		2
13	904.1125	Wiel 24'starec kruis pro f+hoepel Kusch ps		2
14	1554400-0407	(Rear wheel 24", Starec X, colourless, handrim, marathon evolution)		2
14	1554400-0001	(Rear wheel 24" Starec X, chrome, handrim, marathon evolution)	01.07.2011 →	2
14	1554400-0182	(Rear wheel 24" Starec X, champagne, handrim, marathon evolution)	01.01.2013 →	2
14	1554400-0183	(Rear wheel 24" Starec X, olive, handrim, marathon evolution)	01.01.2013 →	2
14	1554400-0400	(Rear wheel 24" Starec X, tecno, handrim, marathon evolution)		2
14	1554400-0401	(Rear wheel 24" Starec X, lemon, handrim, marathon evolution)	01.01.2007 → 31.12.2012	2
14	1554400-0404	(Rear wheel 24" Starec X, b-blue, handrim, marathon evolution)		2
14	1554400-0440	(Rear wheel 24" Starec X, comet red, handrim, marathon evolution)		2
14	1554400-0441	(Rear wheel 24" Starec X, arctic blue, handrim, marathon evolution)		2
15	1571073	(Spokereflection, pair) <i>Replaces 220.1033</i>		1
16	1579084	Kusch spaak 24' starec radiaal 10st.	01.01.2007 → 31.12.2014	1
17	1579086	Kusch spaak 24' starec gekruisd 10st.		1

(High Performance wheel)

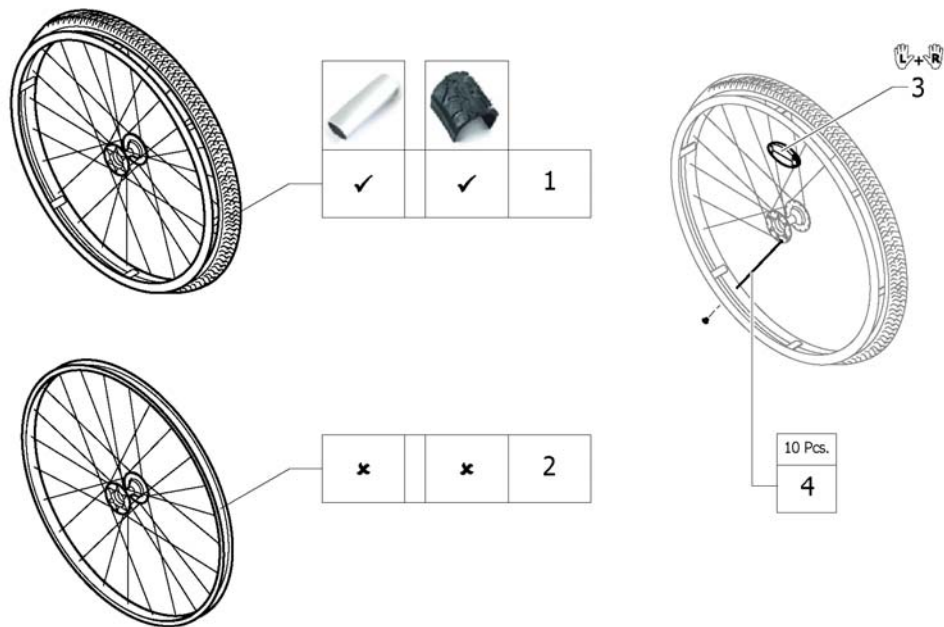


1	1420958-0004	(Wheel 24", High Performance, black, handrim alu, tyre light)	01.01.2010 →	2
1	1420958-0001	(Wheel 24", High Performance, chrome, handrim alu, tyre light wall)	01.07.2011 →	2
1	1420958-0182	(Wheel 24", High Performance, champagne, handrim alu, tyre light)	01.01.2013 →	2
1	1420958-0183	(Wheel 24", High Performance, olive, handrim alu, tyre light)	01.01.2013 →	2
1	1420958-0400	(Wheel 24", High Performance, techno-anthracite, handrim alu, tyre light)		2
1	1420958-0401	(Wheel 24", High Performance, lemon, handrim alu, tyre light wall)	01.01.2007 → 31.12.2012	2
1	1420958-0404	(Wheel 24", High Performance, b-blue, handrim alu, tyre light wall)		2
1	1420958-0440	(Wheel 24", High Performance, comet red, handrim alu, tyre light wall)		2
1	1420958-0441	(Wheel 24", High Performance, arctic blue, handrim alu, tyre light wall)		2
2	1527046-0004	(Wheel 24", High Performance, black, handrim alu, tyre Marathon Evolution)	01.01.2010 →	2
2	1527046-0001	(Wheel 24", High Performance, chrome, handrim alu, tyre Marathon Evolution)	01.07.2011 →	2
2	1527046-0182	(Wheel 24", High Performance, champagne, handrim alu, tyre Marathon Evolution)	01.01.2013 →	2
2	1527046-0183	(Wheel 24", High Performance, olive, handrim alu, tyre Marathon Evolution)	01.01.2013 →	2
2	1527046-0400	(Wheel 24", High Performance, techno-anthracite, handrim alu, tyre Marathon Evolution)		2
2	1527046-0401	(Wheel 24", High Performance, lemon, handrim alu, tyre Marathon Evolution)	01.01.2007 → 31.12.2012	2
2	1527046-0404	(Wheel 24", High Performance, b-blue, handrim alu, tyre Marathon Evolution)		2
2	1527046-0440	(Wheel 24", High Performance, comet red, handrim alu, tyre Marathon Evolution)		2
2	1527046-0441	(Wheel 24", High Performance, arctic blue, handrim alu, tyre Marathon Evolution)		2
3	1445479-0004	(Wheel 25", High Performance, black, handrim alu, tyre Marathon Evolution)	01.01.2010 →	2
3	1445479-0001	Wiel 25" starec hp met hoepel+marath.buba zwart	01.07.2011 →	2
3	1445479-0182	(Wheel 25", High Performance, champagne, handrim alu, tyre Marathon Evolution)	01.01.2013 →	2

(High Performance wheel)

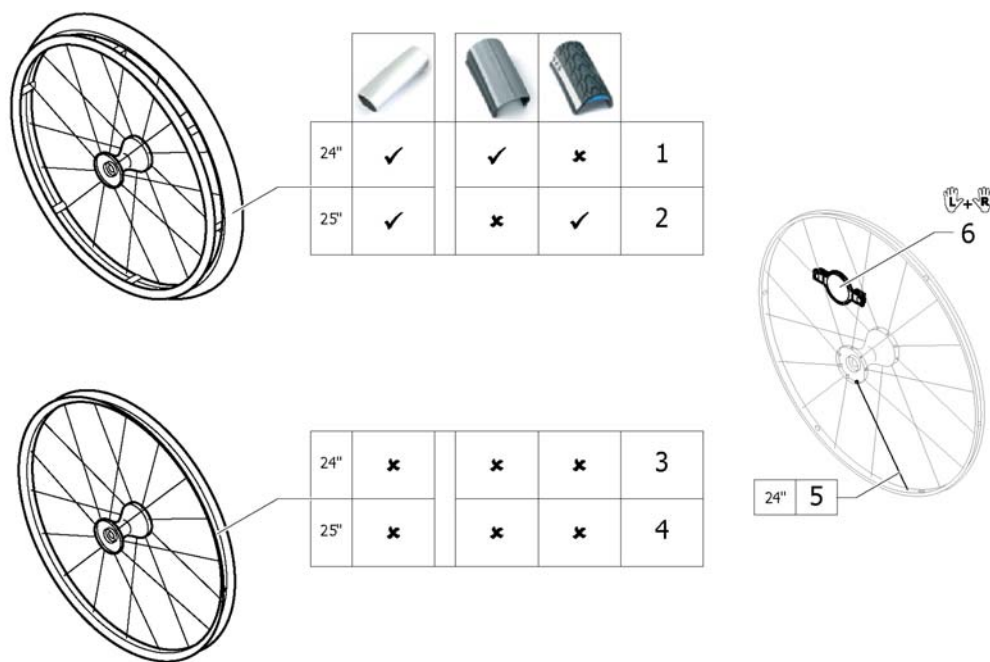
3	1445479-0183	(Wheel 25", High Performance, olive, handrim alu, tyre Marathon Evolution)	01.01.2013 →	2
3	1445479-0400	(Wheel 25", High Performance, techno-anthracite, handrim alu, tyre Marathon Evolution)		2
3	1445479-0401	(Wheel 25", High Performance, lemon, handrim alu, tyre Marathon Evolution)	01.01.2007 → 31.12.2012	2
3	1445479-0404	(Wheel 25", High Performance, b-blue, handrim alu, tyre Marathon Evolution)		2
3	1445479-0440	(Wheel 25", High Performance, comet red, handrim alu, tyre Marathon Evolution)		2
3	1445479-0441	(Wheel 25", High Performance, arctic blue, handrim alu, tyre Marathon Evolution)		2
4	1517723-0004	Kusch velg 24'high perf. zwart ex.hoepel/band ps	01.01.2010 →	2
4	1517723-0001	(Wheel 24", High Performance, chrome, without handrim, without tyre)	01.07.2011 →	2
4	1517723-0182	(Wheel 24", High Performance, champagne, without handrim, without tyre)	01.01.2013 →	2
4	1517723-0183	(Wheel 24", High Performance, olive, without handrim, without tyre)	01.01.2013 →	2
4	1517723-0400	(Wheel 24", High Performance, techno-anthracite, without handrim, without tyre)		2
4	1517723-0401	(Wheel 24", High Performance, lemon, without handrim, without tyre)	01.01.2007 → 31.12.2012	2
4	1517723-0404	(Wheel 24", High Performance, b-blue, without handrim, without tyre)		2
4	1517723-0440	(Wheel 24", High Performance, comet red, without handrim, without tyre)		2
4	1517723-0441	(Wheel 24", High Performance, arctic blue, without handrim, without tyre)		2
5	1562937-0004	Kusch velg 25'high perf. zwart ex.hoepel/band ps	01.01.2010 →	2
5	1562937-0001	(Wheel 25", High Performance, chrome, without handrim, without tyre)	01.07.2011 →	2
5	1562937-0182	(Wheel 25", High Performance, champagne, without handrim, without tyre)	01.01.2013 →	2
5	1562937-0183	(Wheel 25", High Performance, olive, without handrim, without tyre)	01.01.2013 →	2
5	1562937-0400	(Wheel 25", High Performance, techno-anthrac., without handrim, without tyre)		2
5	1562937-0401	(Wheel 25", High Performance, lemon, without handrim, without tyre)	01.01.2007 → 31.12.2012	2
5	1562937-0404	(Wheel 25", High Performance, b-blue, without handrim, without tyre)		2
5	1562937-0440	(Wheel 25", High Performance, comet red, without handrim, without tyre)		2
5	1562937-0441	(Wheel 25", High Performance, arctic blue, without handrim, without tyre)		2
6	1571073	(Spokereflection, pair) <i>Replaces 220.1033</i>		1
7	1578867	Kusch spaken tbv.high- perf.wiel set van 10		1
8	1578868	(Spokes kit for High Performance wheel 25", 10 Pcs.)		1

küschall® R33 | (REAR WHEELS)
(Mountain bike wheel)



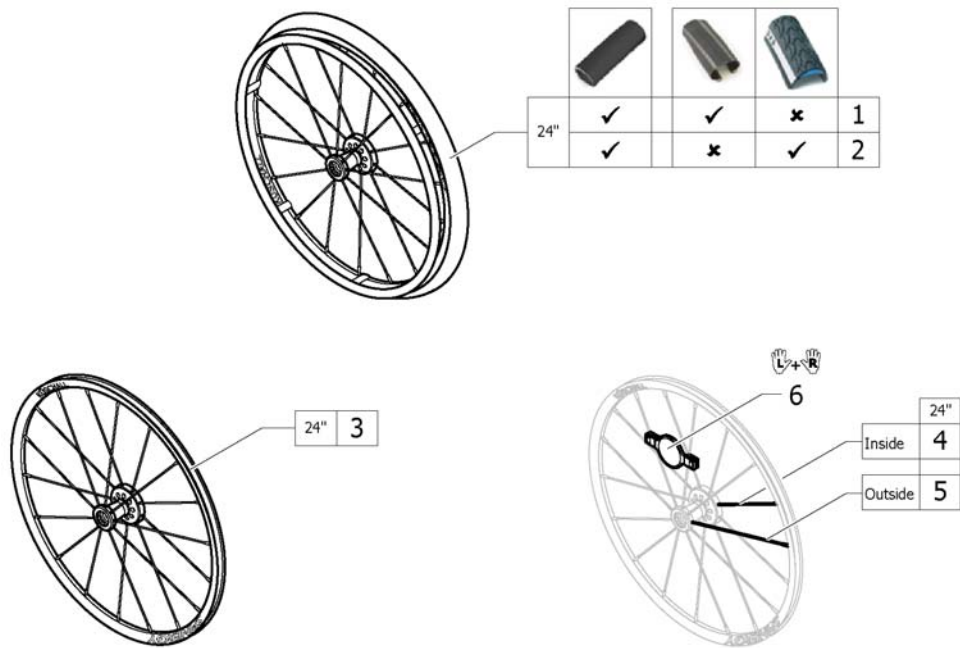
1	1517875	Wiel 24'starec kruis MTB +alu hoepel <i>Replaces 1420959</i>	2
2	1529327	(Rear wheel Mountain Bike 24", without handrim, without tyre) <i>Replaces 1439420</i>	2
3	1571073	(Spokereflection, pair) <i>Replaces 220.1033</i>	1
4	1579085	(Spokes kit for Mountain Bike wheel, 10 Pcs.)	1

(Spinergy wheel)



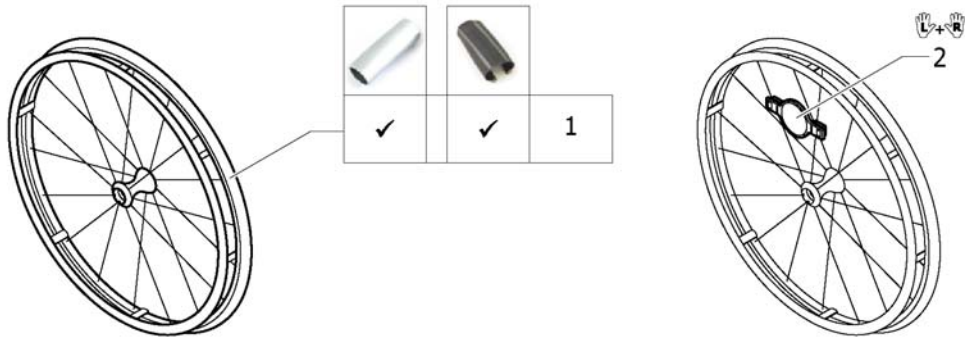
1	1485805	Wiel 24'Spinergy+hoepel alu ps Kusch	01.01.2007 → 31.12.2013	2
2	1525127	Wiel 25'spinergy+alu schwalbe cpl ps Kusch	01.01.2009 → 31.12.2013	2
3	1570426	Wiel 24'Spinergy ex.hoe pel/band/as ps Kusch	01.01.2007 → 31.12.2013	2
4	1525128	Kusch velg 25'spinergy ps	01.01.2009 → 31.12.2013	2
5	1579092	(Spoke for Spinergy wheel 24", 1 Pcs.)	01.01.2007 → 31.12.2013	36
6	1571088	(Spoke reflection for Spinergy wheel, pair) <i>Replaces 1451931</i>	01.01.2007 → 31.12.2013	1

küschall® R33 | (REAR WHEELS)
(Spinergy LXK wheel)








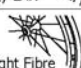
1	1579101	(Rear wheel 24", Spinergy LXK, handrim aluminium black, tyre Schwalbe One)	2
2	1579105	Kusch Spinergy LXK wiel 24'+alu zw.+mara.evo.ps	2
3	1579102	Kusch velg 24'spinergy LXK ps	2
4	1579103	(Spoke inside for Spinergy LXK wheel 24", 236mm., 1 Pcs.)	9
5	1579104	(Spoke outside for Spinergy LXK wheel 24", 249mm., 1 Pcs.)	9
6	1571088	(Spoke reflection for Spinergy wheel, pair)	1

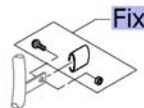
(Ultra-light fibre wheel)



1	1578804	(Ultra-light fibre wheel with tyre Schwalbe One) <i>Replaces 1547628</i>	20.11.2013 → 31.12.2013	2
2	1571088	(Spoke reflection for Spinergy wheel, pair) <i>Replaces 1451931</i>		1

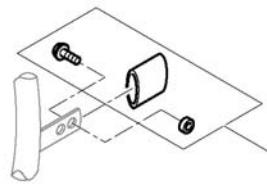
(Handrim)














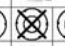
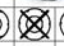

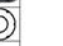





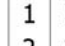











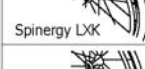
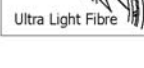
		3cm		4cm			24"		24"		24"		25"	
		22"	24"	25"	22"	24"	25"	24"	24"	22"	24"	24"	25"	
 Küschall wheel	3cm	-	3	5	7	8	9	10	12	-	15	16	17	
	4cm	-	4	6	-	-	-	11	13	-	15	16	17	
 High Performance	3cm	-	3	5	-	8	9	10	12	-	15	16	17	
	4cm	-	4	6	-	-	-	11	13	-	15	16	17	
 Mountainbike	3cm	1	-	-	7	-	-	-	-	14	-	-	-	
	4cm	2	-	-	-	-	-	-	-	-	-	-	-	
 Spinergy	3cm	-	3	5	-	8	9	10	12	-	15	16	17	
	4cm	-	4	6	-	-	-	11	13	-	15	16	17	
 Spinergy LXX	3cm	-	3	-	-	8	-	10	12	-	15	16	-	
	4cm	-	4	-	-	-	-	11	13	-	15	16	-	
 Ultra Light Fibre	3cm	-	3	-	-	8	-	10	12	-	15	16	-	
	4cm	-	4	-	-	-	-	11	13	-	15	16	-	



Fix	-	(Fixation handrim)	1
1	1568713-0005	(Handrim 22" Aluminium, distance 3cm)	2
2	1568700	(Handrim 22" Alu, 4cm) <i>Replaces 457.1023</i>	2
3	1568714-0005	Hoepel 24'alu afst.3cm >01/07/2013 ps	01.07.2013 → 2
4	1568702	Hoepel 24'alu geelox. light 4cm ps Kusch <i>Replaces 1432287-0005</i>	2
5	1568730-0005	(Handrim 25" Aluminium, distance 3cm)	01.07.2013 → 2
6	1568708	(Handrim 25" Alu light for high performance, 4cm) <i>Replaces 1420890-0005</i>	2
7	1568713-0411	(Handrim 22" Aluminium, black, distance 3cm)	2
8	1568714-0411	Hoepel 24' alu afst.3cm zwart >01/07/2013 ps	01.07.2013 → 2
9	1568730-0411	(Handrim 25" Aluminium, black, distance 3cm)	01.07.2013 → 2
10	1568716	(Handrim 24" Titanium, distance 3cm)	01.07.2013 → 2
11	1568705	(Handrim 24" Titanium, 4cm) <i>Replaces 457.1051</i>	2
12	1568715	(Handrim 24" steel polished, distance 3cm)	01.07.2013 → 2
13	1568704	(Handrim 24" steel polished, 4cm) <i>Replaces 457.1009</i>	2
14	1568701	(Handrim 22" Super-Grip) <i>Replaces 457.1045.429</i>	2
15	1568703	Hoepel 24'supergrip ps Kusch <i>Replaces 457.1017.429</i>	2
16	1556916	Hoepel 24'surge LT Kusch ps	01.01.2012 → 2
17	1556917	Hoepel 25'surge LT Kusch ps	01.01.2012 → 2














(Fixation handrim)

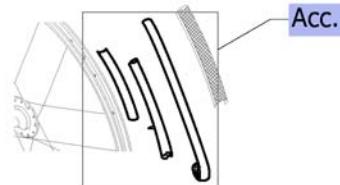


		Aluminium		Titanium		Steel		Supergrip		Surge	
											
	3cm										
	4cm										
	3cm	1	1	1	1	1	1	1	1	3	3
	4cm	2	3	-	-	2	3	2	3	2	3
	3cm	4	4	4	4	4	4	4	4	4	6
	4cm	5	6	-	-	5	6	5	6	5	6
	3cm	7	7	7	7	-	-	-	-	7	7
	4cm	8	9	-	-	-	-	-	-	8	9
	3cm	7	-	7	-	7	-	7	-	9	-
	4cm	8	-	-	-	8	-	8	-	8	-
	3cm	4	-	4	-	4	-	4	-	6	-
	4cm	5	-	-	-	5	-	5	-	5	-
	3cm	4	-	4	-	4	-	4	-	6	-
	4cm	5	-	-	-	5	-	5	-	5	-

1	1495958	Kusch hoepel bev.set 3cm set voor 1 wiel	2
2	1495959	Kusch hoepel bev.set 4cm set voor 1 wiel	2
3	1495961	(Fixation kit handrim, 4 cm with spokes guard)	2
4	1496019	(Fixation kit handrim for High Performance wheel, 3 cm)	2
5	1496020	(Fixation kit handrim for High Performance wheel, 4 cm)	2
6	1497111	(Fixation kit handrim for High Performance wheel, 4 cm with spokes guard)	2
7	1496015	(Fixation kit handrim for Mountain bike wheel, 3 cm)	2
8	1496016	(Fixation kit handrim for Mountain bike wheel, 4 cm)	2
9	1496018	(Fixation kit handrim for Mountain bike wheel, 4 cm with spokes guard)	2














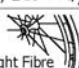
(Tyre)

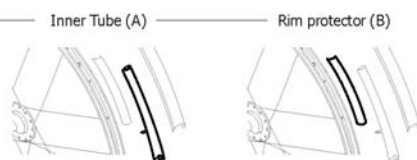
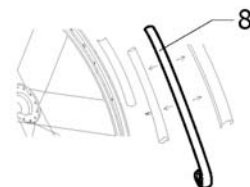
									
	24"	24"	24" 25"	24" 25"	24"	24"	24"		
 Küschall Räder	1	2	3	-	4	-	6	7	
 High Performance	1	2	3	8	4	9	-	-	
 Mountainbike	-	-	-	-	-	-	5	-	
 Spinergy	1	2	3	8	4	9	-	-	
 Spinergy LXX	1	2	3	-	4	-	-	-	
 Ultra Light Fibre	1	2	3	8	4	9	-	6	7



Acc.	-	(Inner tube and rim protector)		1
1	1570828	(Tyre Light wall 24") <i>Replaces 1424749</i>		2
2	1570829	(Treaded Tyre 24") <i>Replaces 728.1002</i>		2
3	1570838	Kusch buba Marathon Evolution Schwalbe 24'ps <i>Replaces 1438521</i>		2
4	1578802	(Tyre 24" Schwalbe One) <i>Replaces 1528649</i>	20.11.2013 →	2
5	1570830	(Tyre Mountain bike, 24") <i>Replaces 1420887</i>		2
6	1570831	(Solid tyre 24", profile) <i>Replaces 728.1029</i>		2
7	1570840	Buba 24'kik NMF zwart ps Kusch <i>Replaces 728.1015</i>		2
8	1570841	Kusch buba marathon Evolution Schwalbe 25'ps <i>Replaces 1493769</i>		2
9	1578803	(Tyre 25" Schwalbe One) <i>Replaces 1528650</i>	20.11.2013 →	2

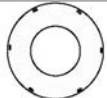









(Inner tube and rim protector)

									
		24"	24"	24" 25"	24" 25"	24"	24"	24"	24"
	A	1	1	1	-	1	-	-	-
	B	6	6	6	-	6	-	6	6
	A	1	1	1	4	1	4	-	-
	B	7	7	7	7	7	7	-	-
	A	-	-	-	-	-	-	3	-
	B	-	-	-	-	-	-	5	-
	A	1	1	1	4	1	4	-	-
	B	7	7	7	7	7	7	-	7
	A	1	1	1	-	1	-	-	-
	B	7	7	7	-	7	-	-	-
	A	-	-	-	-	2	-	-	-
	B	-	-	-	-	7	-	-	-



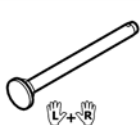
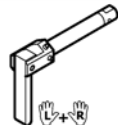







1	1570849	Biba 24'x1 ps Kusch <i>Replaces 727.1002</i>		2
2	1550284	Biba 24'Ultra-Light fibre wiel ps Kusch	01.01.2007 → 31.12.2013	2
3	1570852	(Inner tube for Mountain bike) <i>Replaces 1420884</i>		2
4	1570851	Biba 26'ps Kusch <i>Replaces 1430886</i>		2
5	1570844	(Rim protection 22") <i>Replaces 726.1005</i>		2
6	1570845	(Rim protection 24" Large) <i>Replaces 726.1008.000</i>		2
7	1495962	(Rim Protection for High Performance / Spinergy wheel)		2
8	1571072	(Rear wheel inset anti-flat for 20,22,24,26" tyre) <i>Replaces 1424917</i>		2

(Spokes guard)

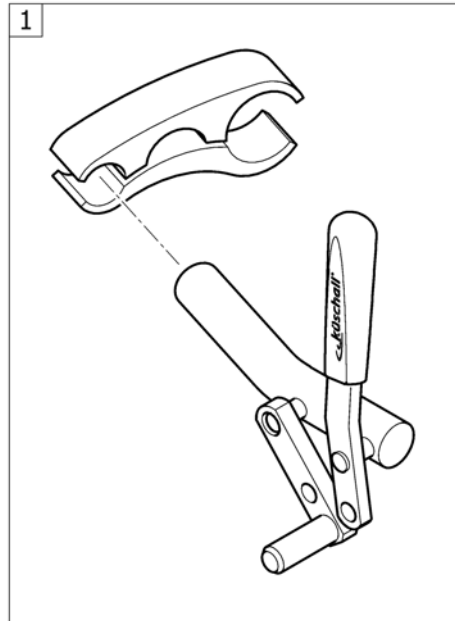
				
	22"	24"	24"	24"
 Küschall wheel	1	2	3	4
 High Performance	-	2	3	4
 Mountainbike	1	-	-	-
 Spinergy	-	2	3	4
 Spinergy LxK	-	-	-	-
 Ultra Light Fibre	-	-	-	-

1	1564453	(Spokes guard Transparent 22") <i>Replaces 736.1005</i>	2
2	1564457	Spaakbesch.24'transp.ps Kusch <i>Replaces 736.1004</i>	2
3	1564456	Spaakbesch.24"zwart ps Küschall <i>Replaces 736.1002</i>	2
4	1564459	(Spokes guard Carbon 24") <i>Replaces 736.1014</i>	2
			01.01.2007 → 31.12.2013
5	1564461	(Spokes guard R33 24") <i>Replaces 1497107</i>	2

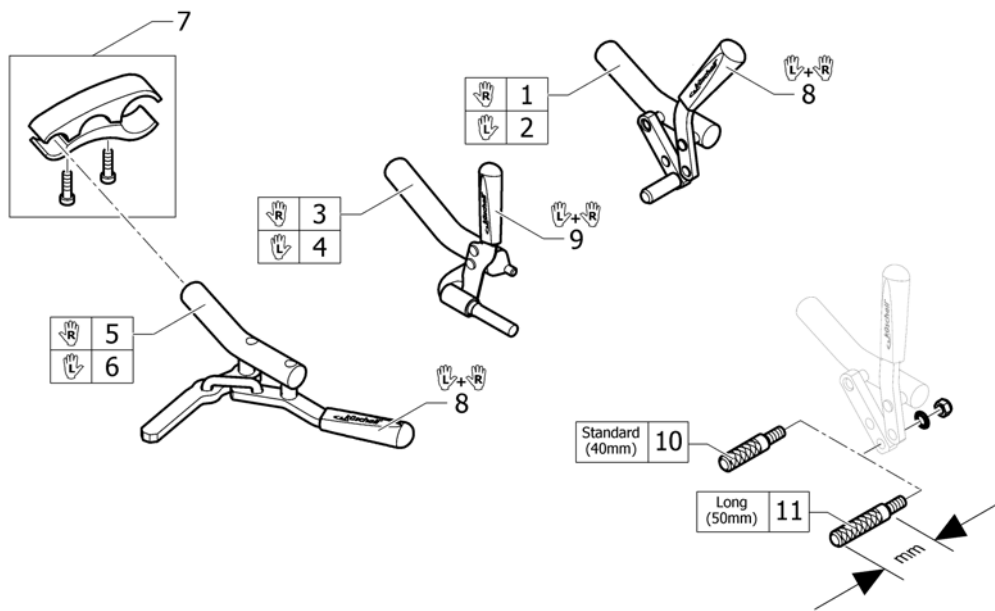
(Quick release axle and bearing)

			
 Küschall wheel	1	2	6
 High Performance	1	2	6
 Mountainbike	1	2	6
 Spinergy	3	4	6
 Spinergy LXX	3	-	6
 Ultra Light Fibre	5	4	6

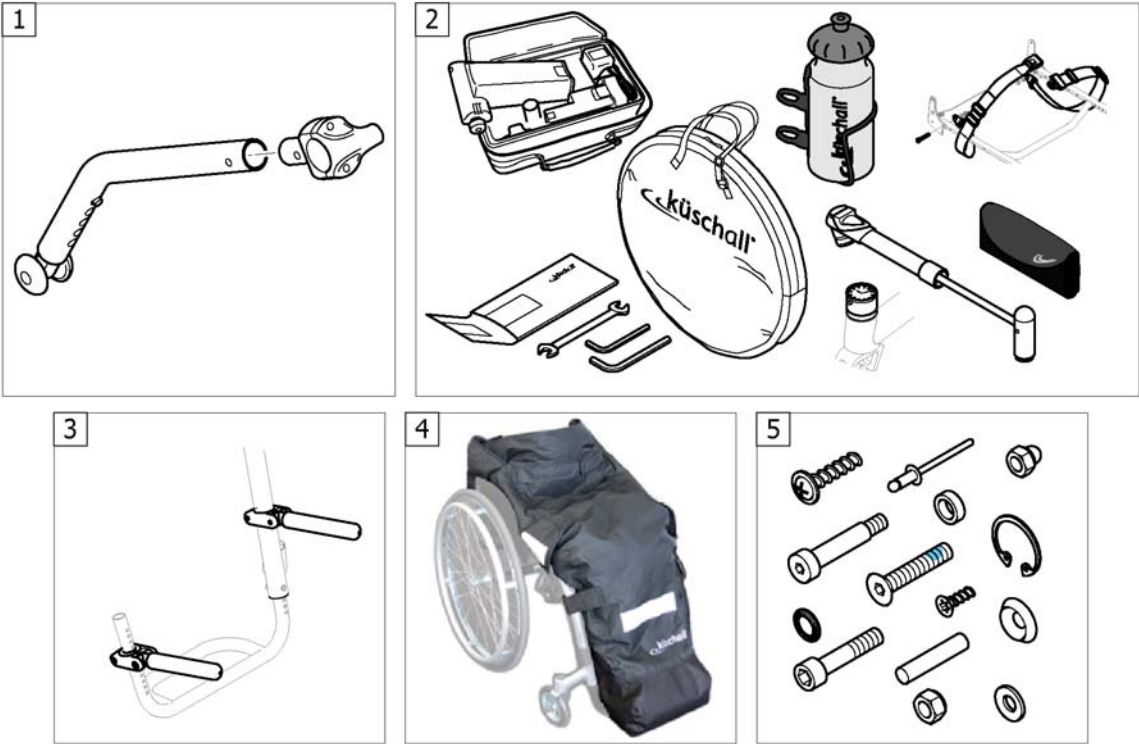
1	1509137-0001	(Quick release axles long with cap, pair, chrome)	01.07.2011 →	1
1	1509137-0004	(Quick release axles long with cap, pair, black)		1
1	1509137-0182	(Quick release axles long with cap, pair, champagne)	01.01.2013 →	1
1	1509137-0183	(Quick release axles long with cap, pair, olive)	01.01.2013 →	1
1	1509137-0400	(Quick release axles long with cap, pair, tecno anthracite)		1
1	1509137-0401	(Quick release axles long with cap, pair, lemon)	01.01.2007 → 31.12.2012	1
1	1509137-0404	(Quick release axles long with cap, pair, b-blue)		1
1	1509137-0407	Kusch achterw.as qr+ afdekkap kleurloos pp		1
1	1509137-0440	(Quick release axles long with cap, pair, comet red)		1
1	1509137-0441	(Quick release axles long with cap, pair, arctic blue)		1
2	1493755	Kusch achterw.as qr+ tetra clip pp		1
3	1507627	Kusch achterw.as tbv. Spinergy wiel pp		1
4	1512029	Kusch achterw.as tetra lang tbv.spinergy pp		1
5	1547629	(Quick release axles long with cap, pair, polished)	01.07.2011 →	1
6	1571069	(Bearing R8-2RS 1/2"/1.1/8"x5/16", pair) <i>Replaces 5719103</i>		2



(Brakes)

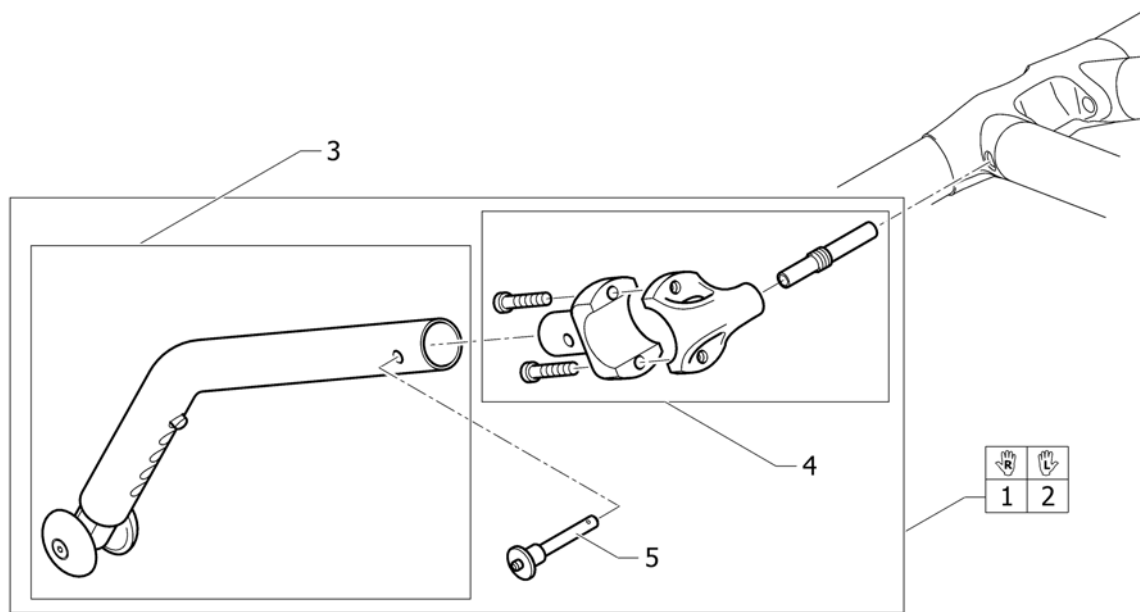


1	1495431	R33 rem gebogen rechts		1
2	1495430	R33 rem gebogen links		1
3	1495433	R33 rem performance ex. bev.re ps	01.01.2007 → 30.06.2015	1
4	1495432	R33 rem performance ex. bev.li ps	01.01.2007 → 30.06.2015	1
5	1495435	R33 rem actief ex.bev. rechts ps		1
6	1495434	R33 rem actief ex.bev. links ps		1
7	1505568	R33 rem bev.klem ps perf.		2
8	1513177	Kusch remhendelhoes pp <i>Replaces 1432056</i>		1
9	1513178	(Brake handle for performance brake, pair) <i>Replaces 1432055</i>		1
10	1579328	(Brake shoe standard (40mm), kit 4 Pcs.) <i>Replaces 500.1045 (4x)</i>		1
11	1579329	(Brake shoe long (50mm), kit 4 Pcs.) <i>Replaces 500.1013 (4x)</i>		1



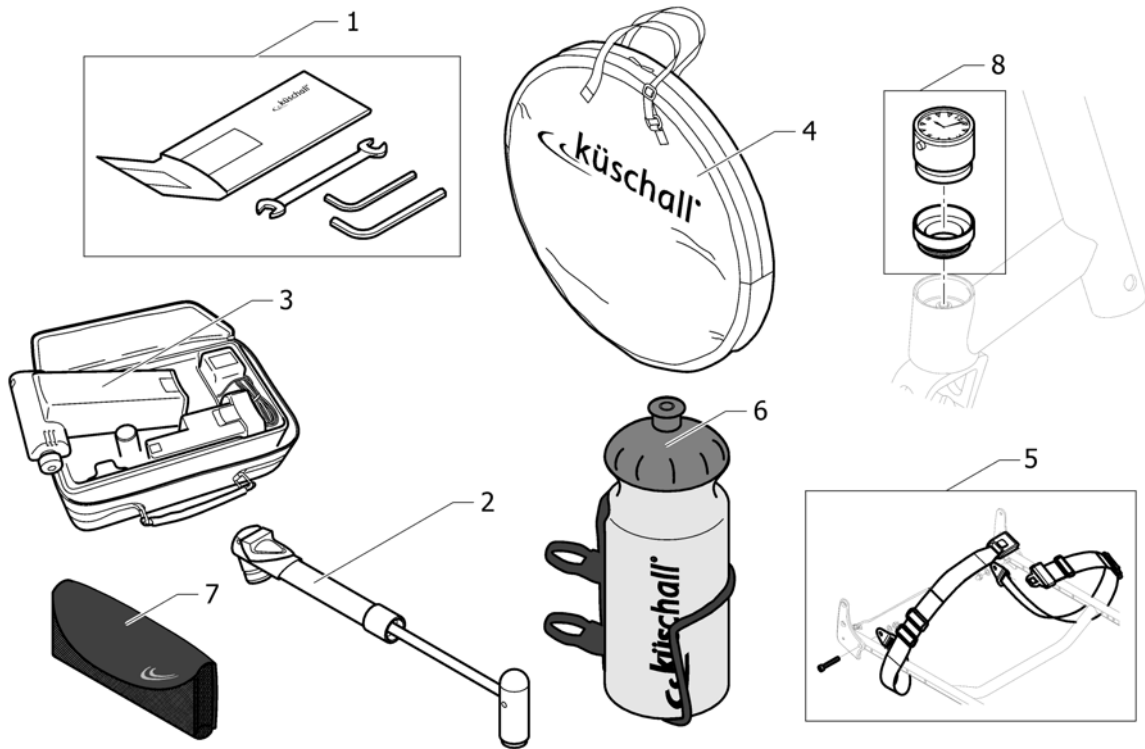
1	-	(Antitipper)	1
2	-	(Chair accessories)	1
3	-	(Luggage holder)	1
4	-	(Winter accessories)	1
5	-	(Fixation: screws, ...)	1

(Antitipper)



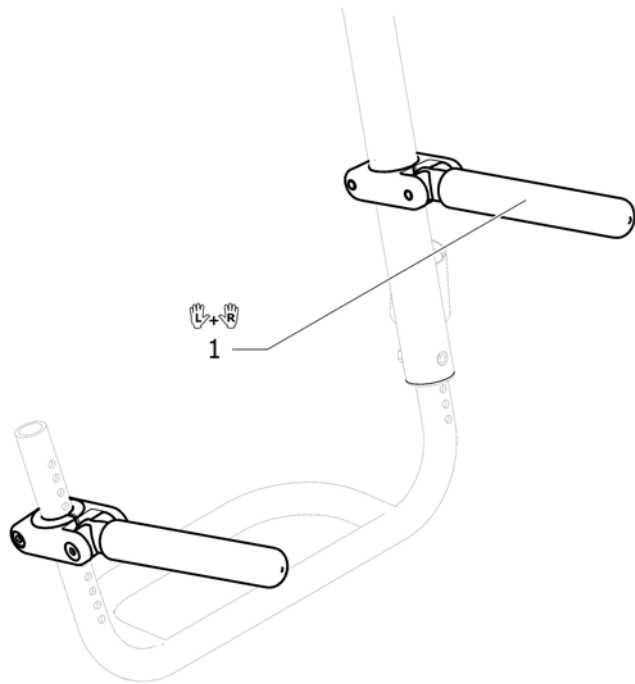
1	1505565	R33 anti-tipper cpl re	1
2	1505566	R33 anti-tipper cpl li	1
3	1495443	(Antitipper R33)	1
4	1505567	(Fixation kit antitipper)	1
5	1517877	K-Serie G3 actieve anti tip QR as ps <i>Replaces 907.1125</i>	1

(Chair accessories)



1	1518285	Kuschall gereedschapset cpl <i>Replaces 800.1013</i>		1
2	1517924	Kusch pomp ps <i>Replaces 801.1004</i>		1
3	1518286	Kusch airman <i>Replaces 801.1006.000</i>		1
4	1518287	Kusch reistas voor achterwielen (24/25/26') <i>Replaces 1420922</i>		1
5	1567136	(Seat belt)	01.01.2013 →	1
6	1547625	Kusch bidonhouder		1
7	1547622	K-Serie G3 telefoonhouder		1
8	1589117	(Küschall watch mounted on bearing block, kit)	05.08.2015 →	1

(Luggage holder)



1 1547626

K-Serie G3 bagagehouder op frame voorzijde pp

1



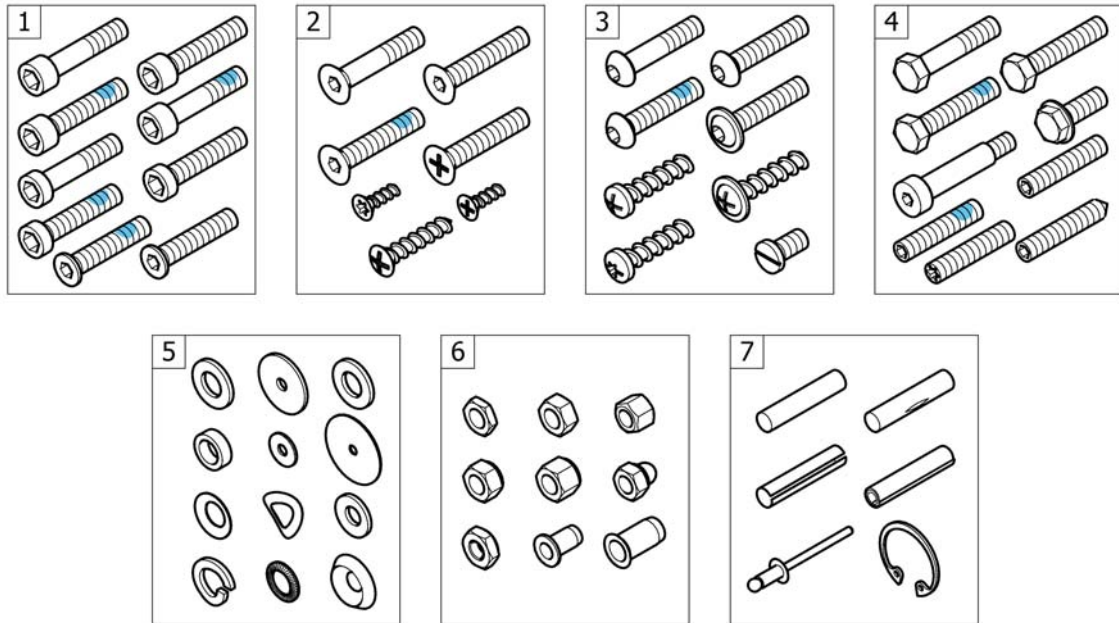
1 1532009

(Feet bag for body height >1,60m)

01.01.2010 →
30.06.2011

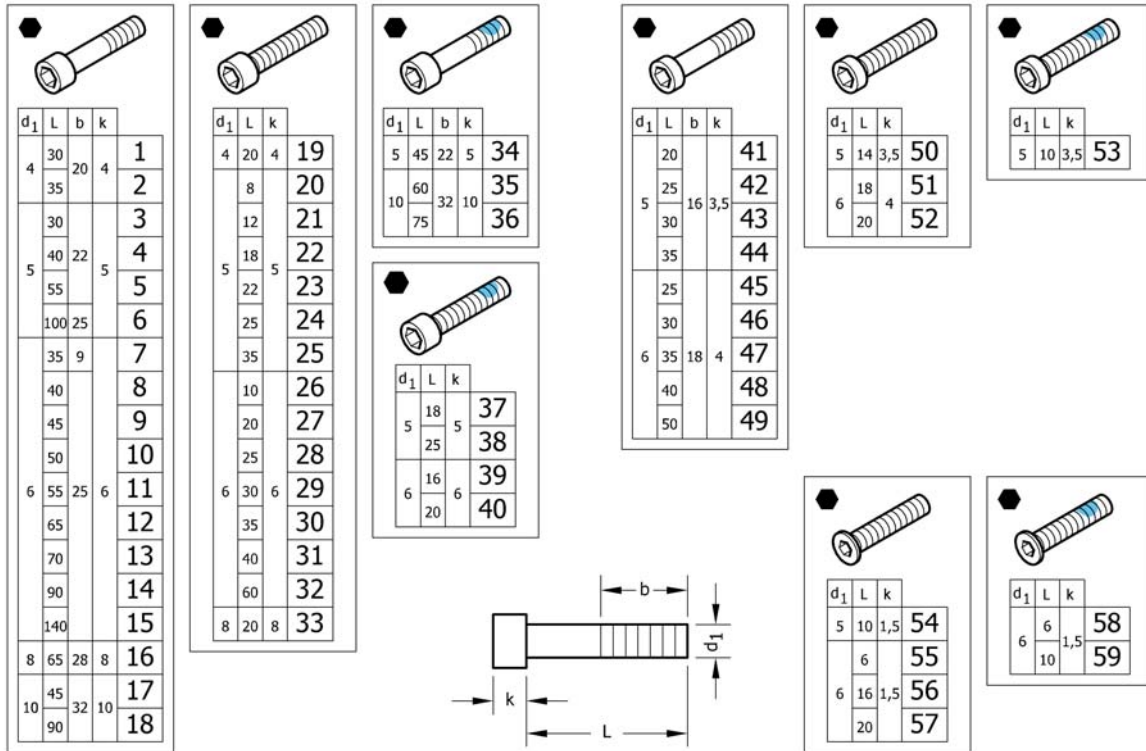
1

(Fixation: screws, ...)



1	-	(Socket head cap screws)	1
2	-	(Countersunk screws)	1
3	-	(Button head screws)	1
4	-	(Hex-head screws, diverse, ...)	1
5	-	(Washers)	1
6	-	(Nuts)	1
7	-	(Pins, rivets, ...)	1

(Socket head cap screws)



1	1579115	(Hex socket head cap screws partially threaded, zi.Blue, M4x30, kit 25 Pcs.) <i>Replaces 1560191 (25x)</i>	1
2	1579116	(Hex socket head cap screws partially threaded, zi.Blue, M4x35, kit 25 Pcs.) <i>Replaces 1563765 (25x)</i>	1
3	1579117	(Hex socket head cap screws partially threaded, black, M5x30, kit 25 Pcs.) <i>Replaces 100.1091 (25x)</i>	1
4	1579118	(Hex socket head cap screws partially threaded, black, M5x40, kit 25 Pcs.) <i>Replaces 100.1093 (25x)</i>	1
5	1579119	(Hex socket head cap screws partially threaded, black, M5x55, kit 25 Pcs.) <i>Replaces 100.1096 (25x)</i>	1
6	1579120	(Hex socket head cap screws partially threaded, black, M5x100, kit 10 Pcs.) <i>Replaces 1425240 (10x)</i>	1
7	1579121	(Hex socket head cap screws partially threaded, black, M6x35, kit 5 Pcs.) <i>Replaces 107.1001 (5x)</i>	1
8	1579122	(Hex socket head cap screws partially threaded, black, M6x40, kit 25 Pcs.) <i>Replaces 100.1133 (25x)</i>	1
9	1579123	(Hex socket head cap screws partially threaded, black, M6x45, kit 25 Pcs.) <i>Replaces 100.1134 (25x)</i>	1
10	1579124	(Hex socket head cap screws partially threaded, black, M6x50, kit 25 Pcs.) <i>Replaces 100.1135 (25x)</i>	1
11	1579125	(Hex socket head cap screws partially threaded, black, M6x55, kit 25 Pcs.) <i>Replaces 100.1136 (25x)</i>	1
11	1579126	(Hex socket head cap screws partially threaded, zi.Blue, M6x55, kit 25 Pcs.) <i>Replaces ZM006551A (25x)</i>	1
12	1579127	(Hex socket head cap screws partially threaded, black, M6x65, kit 10 Pcs.) <i>Replaces 100.1138 (10x)</i>	1
13	1579128	(Hex socket head cap screws partially threaded, black, M6x70, kit 10 Pcs.) <i>Replaces 100.1139 (10x)</i>	1
14	1579129	(Hex socket head cap screws partially threaded, black, M6x90, kit 10 Pcs.) <i>Replaces 1529118 (10x)</i>	1
15	1579130	(Hex socket head cap screws partially threaded, black, M6x140, kit 10 Pcs.) <i>Replaces 1529117 (10x)</i>	1

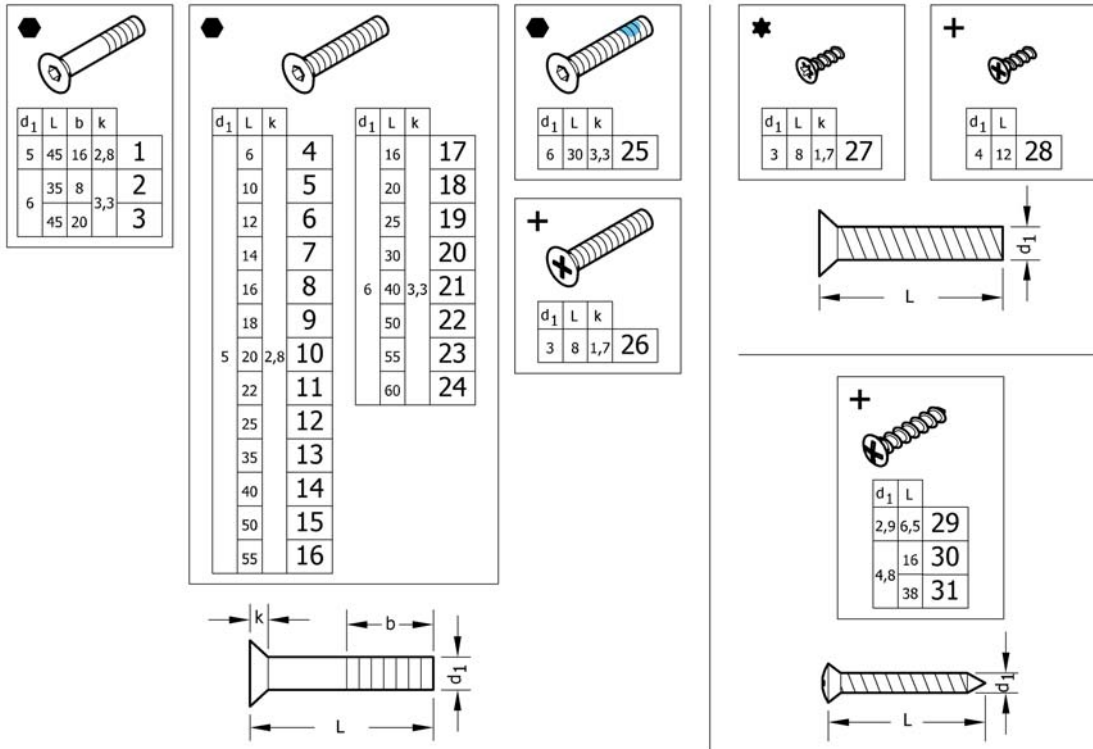
(Socket head cap screws)

16	1579131	(Hex socket head cap screws partially threaded, black, M8x65, kit 10 Pcs.) <i>Replaces 1510316 (10x)</i>	1
17	1579132	(Hex socket head cap screws partially threaded, black, M10x45, kit 2 Pcs.) <i>Replaces 1496010 (2x)</i>	1
18	1579133	(Hex socket head cap screws partially threaded, black, M10x90, kit 2 Pcs.) <i>Replaces 1496013 (2x)</i>	1
19	1579134	(Hex socket head cap screws fully threaded, black, M4x20, kit 25 Pcs.) <i>Replaces 100.1050 (25x)</i>	1
20	1579135	(Hex socket head cap screws fully threaded, black, M5x8, kit 5 Pcs.) <i>Replaces 1493753 (5x)</i>	1
21	1579136	(Hex socket head cap screws fully threaded, black, M5x12, kit 25 Pcs.) <i>Replaces 100.1084 (25x)</i>	1
22	1579137	(Hex socket head cap screws fully threaded, black, M5x18, kit 25 Pcs.) <i>Replaces 100.1087 (25x)</i>	1
23	1579138	(Hex socket head cap screws fully threaded, black, M5x22, kit 25 Pcs.) <i>Replaces 100.1089 (25x)</i>	1
24	1579139	(Hex socket head cap screws fully threaded, black, M5x25, kit 25 Pcs.) <i>Replaces 100.1090 (25x)</i>	1
25	1579140	(Hex socket head cap screws fully threaded, black, M5x35, kit 25 Pcs.) <i>Replaces 100.1092 (25x)</i>	1
26	1579141	(Hex socket head cap screws fully threaded, black, M6x10, kit 25 Pcs.) <i>Replaces 100.1123 (25x)</i>	1
27	1579142	(Hex socket head cap screws fully threaded, black, M6x20, kit 25 Pcs.) <i>Replaces 100.1128 (25x)</i>	1
28	1579143	(Hex socket head cap screws fully threaded, black, M6x25, kit 25 Pcs.) <i>Replaces 100.1130 (25x)</i>	1
29	1579144	(Hex socket head cap screws fully threaded, black, M6x30, kit 25 Pcs.) <i>Replaces 100.1131 (25x)</i>	1
30	1579145	(Hex socket head cap screws fully threaded, black, M6x35, kit 25 Pcs.) <i>Replaces 100.1132 (25x)</i>	1
31	1579146	(Hex socket head cap screws fully threaded, black, M6x40, kit 10 Pcs.) <i>Replaces 1563349 (10x)</i>	1
32	1579147	(Hex socket head cap screws fully threaded, black, M6x60, kit 10 Pcs.) <i>Replaces 100.1137 (10x)</i>	1
33	1579148	(Hex socket head cap screws fully threaded, black, M8x20, kit 10 Pcs.) <i>Replaces 1510307 (10x)</i>	1
34	1579149	(Hex sock.Head cap screws partial.Thread., black, TufLok, M5x45, kit 5 Pcs.) <i>Replaces 1496014 (5x)</i>	1
35	1579150	(Hex sock.Head cap screws partial.Thread., black, TufLok, M10x60, kit 2 Pcs.) <i>Replaces 1496011 (2x)</i>	1
36	1579151	(Hex sock.Head cap screws partial.Thread., black, TufLok, M10x75, kit 2 Pcs.) <i>Replaces 1496012 (2x)</i>	1
37	1579152	(Hex socket head cap screws fully threaded, black, TufLok, M5x18, kit 10 Pcs.) <i>Replaces 1425241 (10x)</i>	1
38	1579153	(Hex socket head cap screws fully threaded, black, TufLok, M5x25, kit 10 Pcs.) <i>Replaces 1570153 (10x)</i>	1
39	1579154	(Hex socket head cap screws full.Thread., zi.Blue, TufLok, M6x16, kit 10 Pcs.) <i>Replaces 1560219 (10x)</i>	1
40	1579155	(Hex socket head cap screws fully threaded, black, TufLok, M6x20, kit 10 Pcs.) <i>Replaces 1498775 (10x)</i>	1
41	1579156	(Hex sock.Head cap screws, low head, part.Thread., black, M5x20, kit 25 Pcs.) <i>Replaces 1438501 (25x)</i>	1
42	1579157	(Hex sock.Head cap screws, low head, part.Thread., black, M5x25, kit 25 Pcs.) <i>Replaces 1438518 (25x)</i>	1
43	1579158	(Hex sock.Head cap screws, low head, part.Thread., black, M5x30, kit 25 Pcs.) <i>Replaces 100.5090 (25x)</i>	1

(Socket head cap screws)

44	1579159	(Hex sock.Head cap screws, low head, part.Thread., black, M5x35, kit 25 Pcs.) <i>Replaces 100.5091 (25x)</i>	1
45	1579160	(Hex sock.Head cap screws, low head, part.Thread., black, M6x25, kit 25 Pcs.) <i>Replaces 1432120 (25x)</i>	1
46	1579161	(Hex sock.Head cap screws, low head, part.Thread., black, M6x30, kit 25 Pcs.) <i>Replaces 100.5130 (25x)</i>	1
47	1579162	(Hex sock.Head cap screws, low head, part.Thread., black, M6x35, kit 25 Pcs.) <i>Replaces 1438504 (25x)</i>	1
48	1579163	(Hex sock.Head cap screws, low head, part.Thread., black, M6x40, kit 25 Pcs.) <i>Replaces 100.5132 (25x)</i>	1
49	1579164	(Hex sock.Head cap screws, low head, part.Thread., black, M6x50, kit 25 Pcs.) <i>Replaces 100.5134 (25x)</i>	1
50	1579165	(Hex sock.Head cap screws, low head, part.Thread., black, M5x14, kit 25 Pcs.) <i>Replaces 100.5085 (25x)</i>	1
51	1579166	(Hex sock.Head cap screws, low head, part.Thread., black, M6x18, kit 25 Pcs.) <i>Replaces 100.5126 (25x)</i>	1
52	1579167	(Hex sock.Head cap screws, low head, part.Thread., black, M6x20, kit 25 Pcs.) <i>Replaces 100.5127 (25x)</i>	1
53	1579168	(Hex soc.Head cap scr., low head, part.Threa., bl., TufL., M5x10, kit 10 Pcs.) <i>Replaces 1496026 (10x)</i>	1
54	1579169	(Hex socket head cap screws, special low head, black, M5x10, kit 25 Pcs.) <i>Replaces 1437290 (25x)</i>	1
55	1579170	(Hex socket head cap screws, special low head, black, M6x6, kit 25 Pcs.) <i>Replaces 1425182 (25x)</i>	1
56	1579171	(Hex socket head cap screws, special low head, black, M6x16, kit 25 Pcs.) <i>Replaces 1541181 (25x)</i>	1
57	1579172	(Hex socket head cap screws, special low head, black, M6x20, kit 25 Pcs.) <i>Replaces 107.1022 (25x)</i>	1
58	1579173	(Hex socket head cap screws, spec.Low head, black, TufLok, M5x6, kit 10 Pcs.) <i>Replaces 1532039 (10x)</i>	1
59	1579174	(Hex socket head cap screws, spec.Low head, black, TufLok, M6x10, kit 10 Pcs.) <i>Replaces 1420946 (10x)</i>	1

(Countersunk screws)

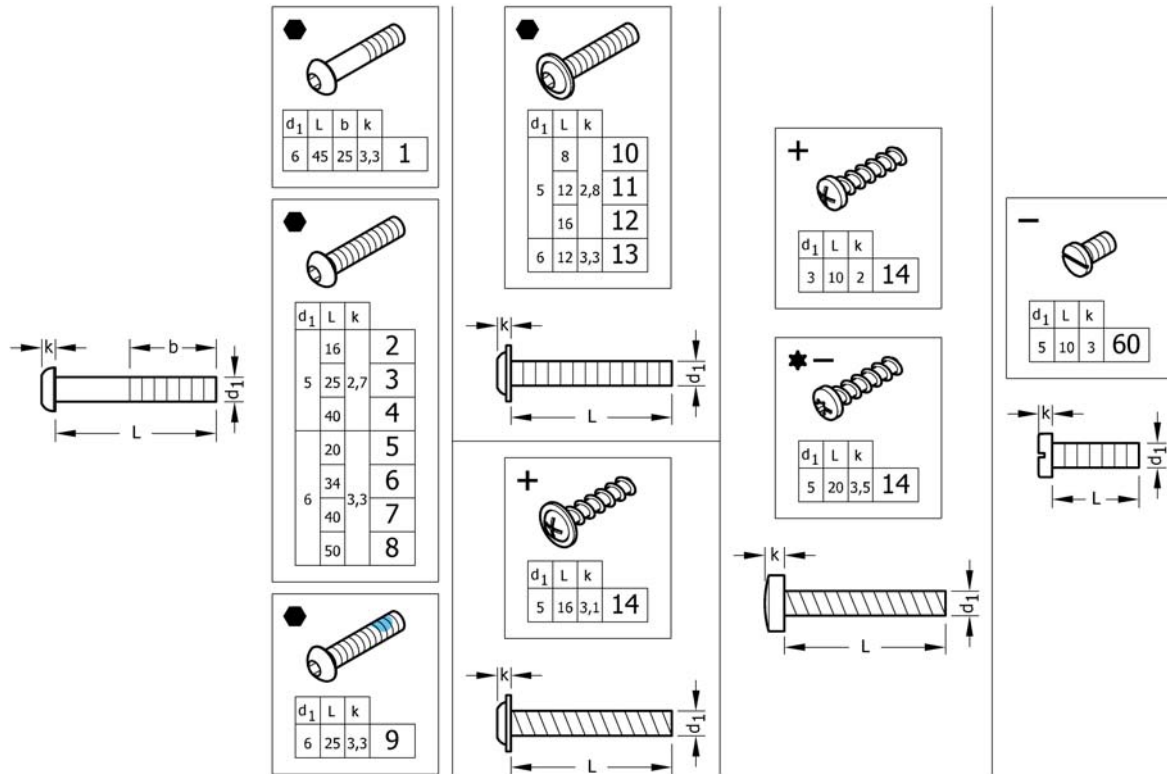


1	1579175	(Countersunk head screws partially threaded, Black, M5x45, kit 10 Pcs.) <i>Replaces 1438773 (10x)</i>	1
2	1579176	(Countersunk head screws partially threaded, Black, M6x35, kit 10 Pcs.) <i>Replaces 107.1004 (10x)</i>	1
3	1579177	(Countersunk head screws partially threaded, Black, M6x45, kit 10 Pcs.) <i>Replaces 100.3133 (10x)</i>	1
4	1579178	(Countersunk head screws fully threaded, Black, M5x6, kit 25 Pcs.) <i>Replaces 1445273 (25x)</i>	1
5	1579179	(Countersunk head screws fully threaded, Black, M5x10, kit 25 Pcs.) <i>Replaces 100.3082 (25x)</i>	1
6	1579180	(Countersunk head screws fully threaded, Black, M5x12, kit 25 Pcs.) <i>Replaces 1438999 (25x)</i>	1
7	1579181	(Countersunk head screws fully threaded, Black, M5x14, kit 25 Pcs.) <i>Replaces 107.1015 (25x)</i>	1
8	1579182	(Countersunk head screws fully threaded, Black, M5x16, kit 25 Pcs.) <i>Replaces 100.3085 (25x)</i>	1
9	1579183	(Countersunk head screws fully threaded, Black, M5x18, kit 25 Pcs.) <i>Replaces 100.3086 (25x)</i>	1
10	1579184	(Countersunk head screws fully threaded, Black, M5x20, kit 25 Pcs.) <i>Replaces 100.3087 (25x)</i>	1
11	1579185	(Countersunk head screws fully threaded, Black, M5x22, kit 25 Pcs.) <i>Replaces 1416930 (25x)</i>	1
12	1579186	(Countersunk head screws fully threaded, Black, M5x25, kit 25 Pcs.) <i>Replaces 100.3089 (25x)</i>	1
13	1579187	(Countersunk head screws fully threaded, Black, M5x35, kit 25 Pcs.) <i>Replaces 100.3091 (25x)</i>	1
14	1579188	(Countersunk head screws fully threaded, Black, M5x40, kit 25 Pcs.) <i>Replaces 1432148 (25x)</i>	1
15	1579189	(Countersunk head screws fully threaded, Black, M5x50, kit 25 Pcs.) <i>Replaces 100.3094 (25x)</i>	1
16	1579190	(Countersunk head screws fully threaded, Black, M5x55, kit 25 Pcs.) <i>Replaces 100.3095 (25x)</i>	1
17	1579191	(Countersunk head screws fully threaded, Black, M6x16, kit 25 Pcs.) <i>Replaces 100.3125 (25x)</i>	1
18	1579192	(Countersunk head screws full.Threaded, zinc flake coat., M6x20, kit 25 Pcs.) <i>Replaces 100.3127 (25x)</i>	1

(Countersunk screws)

18	1579193	(Countersunk head screws fully threaded, Black, M6x20, kit 25 Pcs.) <i>Replaces 1437809 (25x)</i>	1
19	1579194	(Countersunk head screws fully threaded, Black, M6x25, kit 25 Pcs.) <i>Replaces 100.3129 (25x)</i>	1
20	1579195	(Countersunk head screws fully threaded, Black, M6x30, kit 25 Pcs.) <i>Replaces 100.3130 (25x)</i>	1
21	1579196	(Countersunk head screws fully threaded, Black, M6x40, kit 25 Pcs.) <i>Replaces 100.3132 (25x)</i>	1
22	1579197	(Countersunk head screws fully threaded, Black, M6x50, kit 25 Pcs.) <i>Replaces 100.3134 (25x)</i>	1
23	1579198	(Countersunk head screws fully threaded, Black, M6x55, kit 25 Pcs.) <i>Replaces 100.3135 (25x)</i>	1
24	1579199	(Countersunk head screws fully threaded, Black, M6x60, kit 25 Pcs.) <i>Replaces 100.3136 (25x)</i>	1
25	1579200	(Countersunk head screws fully threaded, Black, TufLok, M6x30, kit 25 Pcs.) <i>Replaces 1550479 (25x)</i>	1
26	1579201	(Countersunk head screws fully threaded, zi.Blue, M3x8, kit 25 Pcs.) <i>Replaces 1529279 (25x)</i>	1
27	1579202	(Countersunk head PT screws, Torx, stainless steel, 3x8, kit 25 Pcs.) <i>Replaces 1529278 (25x)</i>	1
28	1579203	(Countersunk head PT screws, Black, KA40x12, kit 25 Pcs.) <i>Replaces 1438513 (25x)</i>	1
29	1579204	(Countersunk head tapping screws with cone end, Black, ST2,9x6,5, kit 25 Pcs.) <i>Replaces 126.5041 (25x)</i>	1
30	1579205	(Countersunk head tapping screws with cone end, Black, ST4,8x16, kit 25 Pcs.) <i>Replaces 126.5202 (25x)</i>	1
31	1579206	(Countersunk head tapping screws with cone end, Black, ST4,8x38, kit 25 Pcs.) <i>Replaces 126.5207 (25x)</i>	1

(Button head screws)

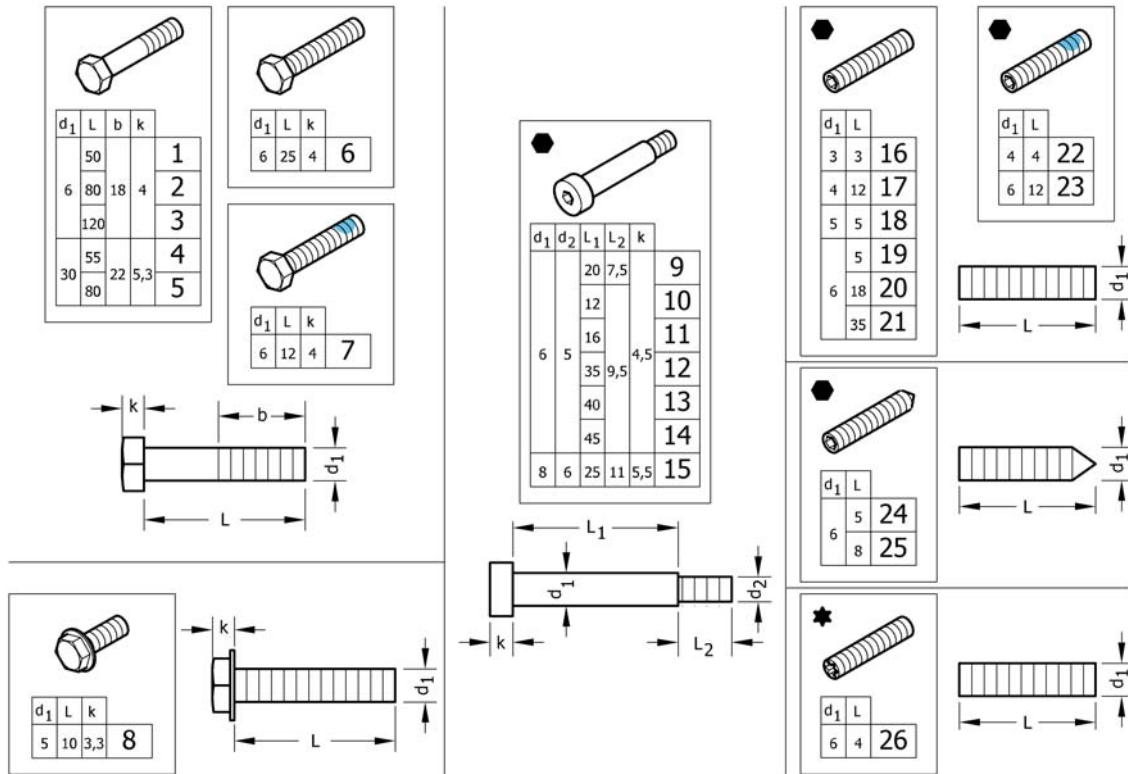


1	1579259	(Hex sock.Button head cap screws partially thread., Black, M6x45, kit 25 Pcs.) <i>Replaces 1438507 (25x)</i>	1
2	1579260	(Hex socket button head cap screws fully threaded, Black, M5x16, kit 25 Pcs.) <i>Replaces 1445341-0003 (25x)</i>	1
3	1579261	(Hex socket button head cap screws fully threaded, Black, M5x25, kit 25 Pcs.) <i>Replaces 107.1021 (25x)</i>	1
4	1579262	(Hex socket button head cap screws fully threaded, Black, M5x40, kit 25 Pcs.) <i>Replaces 1445101-0003 (25x)</i>	1
5	1579263	(Hex socket button head cap screws fully threaded, Black, M6x20, kit 25 Pcs.) <i>Replaces 1439153 (25x)</i>	1
6	1579264	(Hex socket button head cap screws fully threaded, Black, M6x34, kit 25 Pcs.) <i>Replaces 1438506-0003 (25x)</i>	1
7	1579265	(Hex socket button head cap screws fully threaded, Black, M6x40, kit 25 Pcs.) <i>Replaces 1439530-0003 (25x)</i>	1
8	1579266	(Hex socket button head cap screws fully threaded, Black, M6x50, kit 25 Pcs.) <i>Replaces 1439531-0003 (25x)</i>	1
9	1579267	(Hex sock.But.Head cap screws full.Thread., Black, TufLok, M6x25, kit 25 Pcs.) <i>Replaces 1438505 (25x)</i>	1
10	1579268	(Button head socket cap screws with flange, Black, M5x8, kit 25 Pcs.) <i>Replaces 1536268 (25x)</i>	1
11	1579269	(Button head socket cap screws with flange, Black, M5x12, kit 25 Pcs.) <i>Replaces 1529290 (25x)</i>	1
12	1579270	(Button head socket cap screws with flange, Black, M5x16, kit 25 Pcs.) <i>Replaces 1445102-0003 (25x)</i>	1
13	1579271	(Button head socket cap screws with flange, Black, M6x12, kit 25 Pcs.) <i>Replaces 1432204 (25x)</i>	1
14	1579272	(Round washer head PT® screws, form H, zinc plated blue, M5x16, kit 25 Pcs.) <i>Replaces 1536057 (25x)</i>	1

(Button head screws)

15	1579273	(Pan head PT screws, form H, zinc plated blue, M3x10, kit 25 Pcs.) <i>Replaces ZM003510A (25x)</i>	1
16	1579274	(Pan head PT screws, Torx, Black, M5x20, kit 25 Pcs.) <i>Replaces 1424569 (25x)</i>	1
17	1579275	(Slotted machine screws, Black, M5x10, kit 25 Pcs.) <i>Replaces 102.2083 (25x)</i>	1

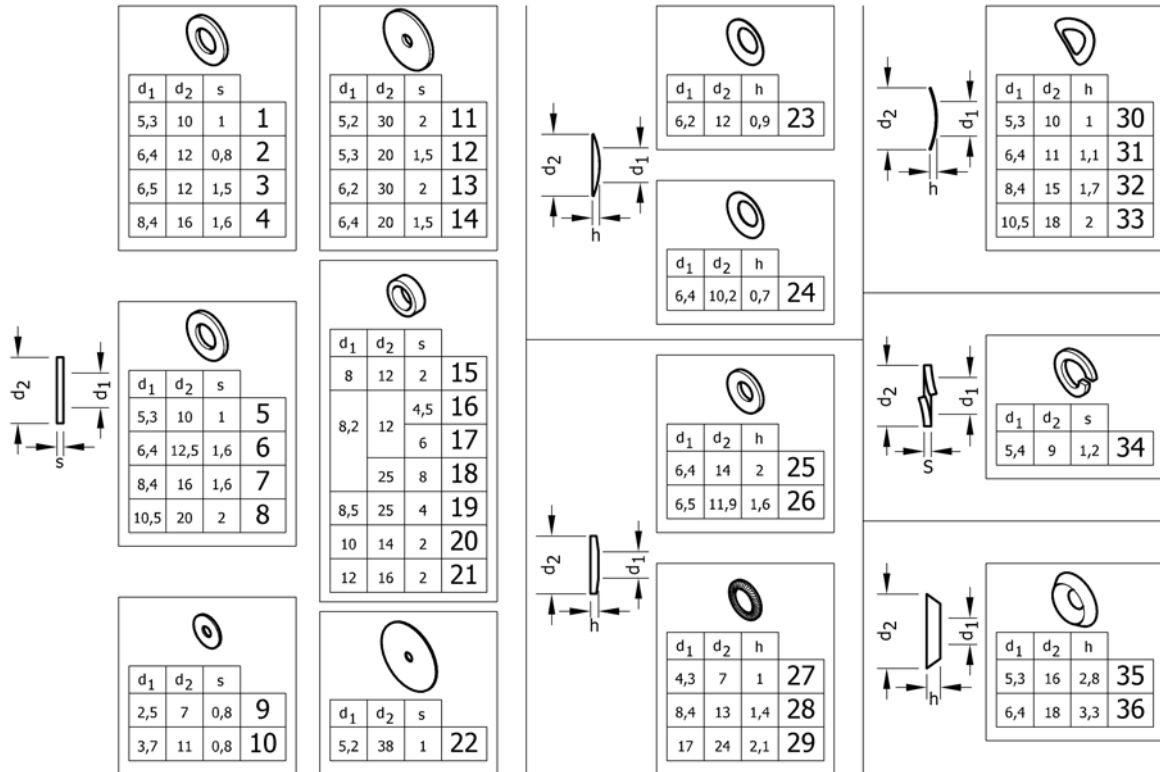
(Hex-head screws, diverse, ...)



1	1579276	(Hex head bolts partially threaded, Black, M6x50, kit 10 Pcs.) <i>Replaces 101.1134 (10x)</i>	1
2	1579277	(Hex head bolts partially threaded, Black, M6x80, kit 10 Pcs.) <i>Replaces 1438508 (10x)</i>	1
3	1579278	(Hex head bolts partially threaded, Black, M6x120, kit 10 Pcs.) <i>Replaces 1438509 (10x)</i>	1
4	1579279	(Hex head bolts partially threaded, Black, M8x55, kit 10 Pcs.) <i>Replaces 101.1174 (10x)</i>	1
5	1579280	(Hex head bolts partially threaded, Black, M8x80, kit 10 Pcs.) <i>Replaces 101.1179 (10x)</i>	1
6	1579281	(Hex head screws fully threaded, Black, M6x25, kit 10 Pcs.) <i>Replaces 1437299 (10x)</i>	1
7	1579282	(Hex head screws fully threaded, Black, TufLok, M6x12, kit 10 Pcs.) <i>Replaces 1564245 (10x)</i>	1
8	1579283	(Hex flange head machine screws with flangeBlack, M5x10, kit 10 Pcs.) <i>Replaces 107.1014 (10x)</i>	1
9	1579295	(Hex socket head shoulder bolts, Black, Ø6x20 / M5, kit 4 Pcs.) <i>Replaces 1488934-0003 (4x)</i>	1
10	1579296	(Hex socket head shoulder bolts, Black, Ø6x12 / M5, kit 4 Pcs.) <i>Replaces 1564246 (4x)</i>	1
11	1579297	(Hex socket head shoulder bolts, Black, Ø6x16 / M5, kit 4 Pcs.) <i>Replaces 1529291 (4x)</i>	1
12	1579298	(Hex socket head shoulder bolts, Black, Ø6x35 / M5, kit 4 Pcs.) <i>Replaces 1496034 (4x)</i>	1
13	1579299	(Hex socket head shoulder bolts, Black, Ø6x40 / M5, kit 4 Pcs.) <i>Replaces 107.1023 (4x)</i>	1
14	1579300	(Hex socket head shoulder bolts, Black, Ø6x45 / M5, kit 4 Pcs.) <i>Replaces 1496030 (4x)</i>	1
15	1579301	(Hex socket head shoulder bolts, Black, Ø8x25 / M6, kit 4 Pcs.) <i>Replaces ZM008252A (4x)</i>	1
16	1579284	(Hex socket set screws with flat point, Black, M3x3, kit 25 Pcs.) <i>Replaces 116.1001 (25x)</i>	1
17	1579285	(Hex socket set screws with flat point, Black, M4x12, kit 25 Pcs.) <i>Replaces 116.1046 (25x)</i>	1
18	1579286	(Hex socket set screws with flat point, zinc plated blue, M5x5, kit 25 Pcs.) <i>Replaces 116.1081 (25x)</i>	1

19	1579287	(Hex socket set screws with flat point, Black, M6x5, kit 25 Pcs.) <i>Replaces 1437272 (25x)</i>	1
20	1579288	(Hex socket set screws with flat point, zinc plated blue, M6x18, kit 25 Pcs.) <i>Replaces 1559106 (25x)</i>	1
21	1579289	(Hex socket set screws with flat point, Black, M6x35, kit 25 Pcs.) <i>Replaces 116.1133 (25x)</i>	1
22	1579290	(Hex socket set screws with flat point, Black, TufLok, M4x4, kit 10 Pcs.) <i>Replaces 1493792 (10x)</i>	1
23	1579291	(Hex socket set screws with flat point, Z.Plat.Bl., TufLok, M6x12, kit 10Pcs.) <i>Replaces 1439057 (10x)</i>	1
24	1579292	(Hex socket set screws with cone point, Black, M6x5, kit 25 Pcs.) <i>Replaces 116.2121 (25x)</i>	1
25	1579293	(Hex socket set screws with cone point, Black, M6x8, kit 25 Pcs.) <i>Replaces 116.2123 (25x)</i>	1
26	1579294	(Screws with cup point, Torx, zinc plated blue, M6x4, kit 25 Pcs.) <i>Replaces 1567763 (25x)</i>	1

(Washers)

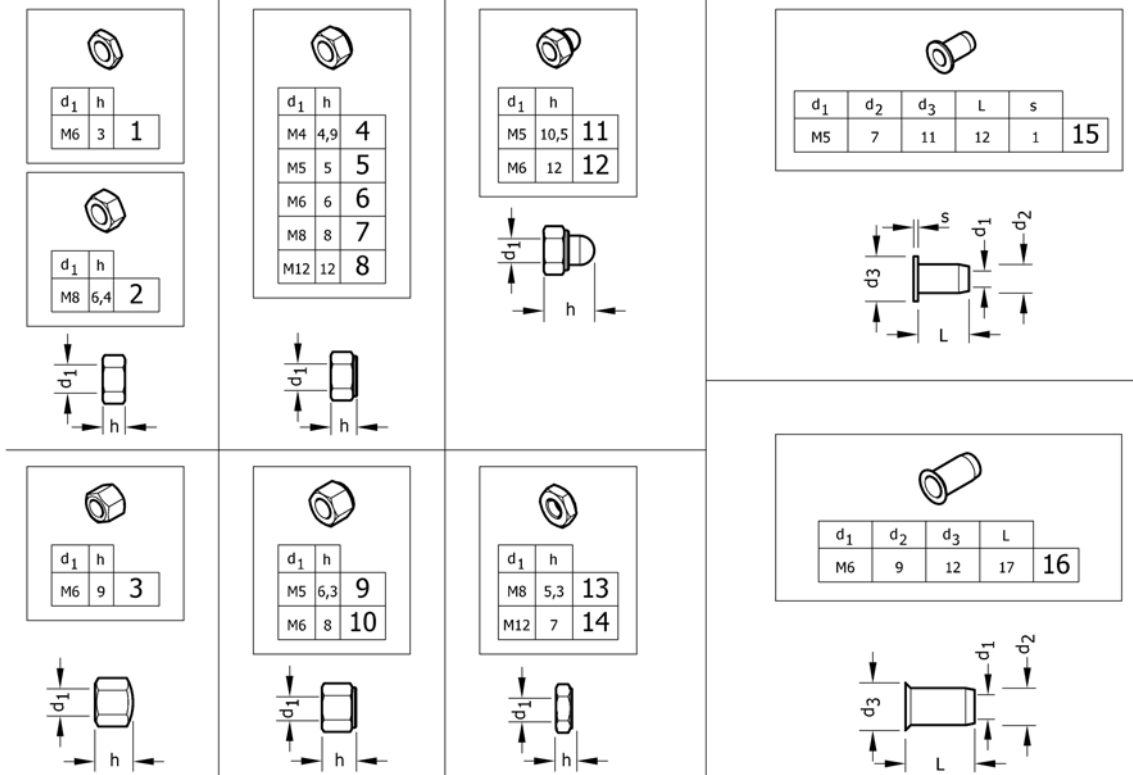


1	1579225	(Flat washers without chamfer, black, 5,3x10x1, kit 50 Pcs.) <i>Replaces 150.1004 (50x)</i>	1
2	1579226	(Flat washers without chamfer, black, 6,4x12x0,8, kit 50 Pcs.) <i>Replaces 150.2001 (50x)</i>	1
3	1579227	(Flat washers without chamfer, zinc plated blue, 6,5x12x1,5, kit 50 Pcs.) <i>Replaces 5729091 (50x)</i>	1
4	1579228	(Flat washers without chamfer, black, 8,4x16x1,6, kit 50 Pcs.) <i>Replaces 150.1012 (50x)</i>	1
5	1579229	(Flat washers without chamfer, polyamide, 5,3x10x1, kit 50 Pcs.) <i>Replaces 150.3003 (50x)</i>	1
6	1579230	(Flat washers without chamfer, polyamide, 6,4x12,5x1,6, kit 50 Pcs.) <i>Replaces 150.3004 (50x)</i>	1
7	1579231	(Flat washers without chamfer, polyamide, 8,4x16x1,6, kit 50 Pcs.) <i>Replaces 150.3005 (50x)</i>	1
8	1579232	(Flat washers without chamfer, polyamide, 10,5x20x2, kit 50 Pcs.) <i>Replaces 150.3006 (50x)</i>	1
9	1579233	(Flat washers without chamfer, zinc plated blue, 2,5x7x0,8, kit 50 Pcs.) <i>Replaces 150.2012 (50x)</i>	1
10	1579234	(Flat washers without chamfer, zinc plated blue, 3,7x11x0,8, kit 50 Pcs.) <i>Replaces ZM203501A (50x)</i>	1
11	1579235	(Flat washers without chamfer, black, 5,2x30x2, kit 20 Pcs.) <i>Replaces 150.2006 (20x)</i>	1
12	1579236	(Flat washers without chamfer, black, 5,3x20x1,5, kit 50 Pcs.) <i>Replaces 150.2010 (50x)</i>	1
13	1579237	(Flat washers without chamfer, black, 6,2x30x2, kit 20 Pcs.) <i>Replaces 150.2009 (20x)</i>	1
14	1579238	(Flat washers without chamfer, black, 6,4x25x1,5, kit 50 Pcs.) <i>Replaces 1451753 (50x)</i>	1
15	1579239	(Hinge rings, black, 8x12x2, kit 50 Pcs.) <i>Replaces 150.5002 (50x)</i>	1
16	1579240	(Distance sleeve, alu, 8,2x12x4,5, kit 20 Pcs.) <i>Replaces 1420970 (20x)</i>	1
17	1579241	(Distance sleeve, alu, 8,2x12x6, kit 20 Pcs.) <i>Replaces 1420969 (20x)</i>	1
18	1581292	(Distance sleeve, alu, 8,2x25x8, kit 2 Pcs.) <i>Replaces 151.1002 (2x)</i>	1

(Washers)

19	1583052	(Distance sleeve, alu, black, 8,5x25x4, kit 10 Pcs.) <i>Replaces 151.1014 (10x)</i>	1
20	1579242	(Hinge rings, zinc plated blue, 10x14x2, kit 50 Pcs.) <i>Replaces 1506666 (50x)</i>	1
21	1579243	(Hinge rings, black, 12x16x2, kit 50 Pcs.) <i>Replaces 150.5006 (50x)</i>	1
22	1579244	(Rubber washers, 5,2x38x1, kit 20 Pcs.) <i>Replaces 1424891 (20x)</i>	1
23	1579245	(Disc springs, black, 6,2x12x0,9, kit 50 Pcs.) <i>Replaces 160.1015 (50x)</i>	1
24	1579246	(Conical spring washers, zinc plated blue, 6,4x10,2x0,7, kit 50 Pcs.) <i>Replaces 161.1004 (50x)</i>	1
25	1579247	(Conical spring washers, black, 6,4x14x2, kit 50 Pcs.) <i>Replaces 161.2004 (50x)</i>	1
26	1579248	(Conical spring washers, zinc plated blue, 6,5x11,9x1,6, kit 50 Pcs.) <i>Replaces ZM206001A (50x)</i>	1
27	1579249	(Ribbed lock washers, black, 4,3x7x1, kit 50 Pcs.) <i>Replaces 155.2002 (50x)</i>	1
28	1579250	(Ribbed lock washers, zinc plated blue, 8,4x13x1,4, kit 50 Pcs.) <i>Replaces 155.2005 (50x)</i>	1
29	1579251	(Ribbed lock washers, zinc plated blue, 17x24x2,1, kit 50 Pcs.) <i>Replaces 155.2009 (50x)</i>	1
30	1579252	(Curved spring washers, black, 5,3x10x1, kit 50 Pcs.) <i>Replaces 1438515 (50x)</i>	1
31	1579253	(Curved spring washers, black, 6,4x11x1,1, kit 50 Pcs.) <i>Replaces 1438516 (50x)</i>	1
32	1579254	(Curved spring washers, zinc plated blue, 8,4x15x1,7, kit 50 Pcs.) <i>Replaces ZM208003A (50x)</i>	1
33	1579255	(Curved spring washers, zinc plated blue, 10,5x18x2, kit 50 Pcs.) <i>Replaces ZM201581A (50x)</i>	1
34	1579256	(Split spring lock washers, black, 5,4x9x1,2, kit 50 Pcs.) <i>Replaces 155.1003 (50x)</i>	1
35	1579257	(Finishing washers 90° countersunk head screw, black, 5,3x16x2,8, kit 50 Pcs.) <i>Replaces 150.6003 (50x)</i>	1
36	1579258	(Finishing washers 90° countersunk head screw, black, 6,4x18x3,3, kit 50 Pcs.) <i>Replaces 150.6004 (50x)</i>	1

(Nuts)

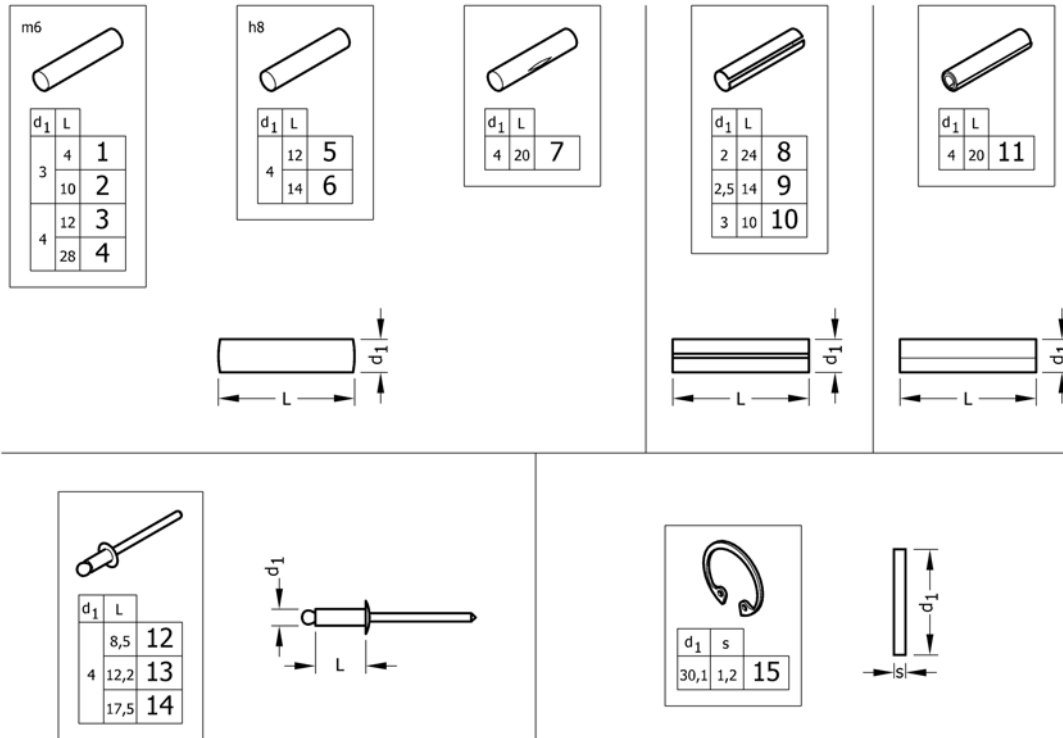


1	1579207	(Hex jam nuts, black, M6, kit 25 Pcs.) <i>Replaces 108.3004 (25x)</i>	1
2	1579208	(Hexagon nuts , black, M8, kit 25 Pcs.) <i>Replaces 1420997 (25x)</i>	1
3	1579209	(Hex cap nuts, low type, black, M6, kit 25 Pcs.) <i>Replaces 109.5009 (25x)</i>	1
4	1579210	(Prev.Torque lock nuts, thin type, with polyam.Insert, black, M4, kit 25 Pcs.) <i>Replaces 109.1002 (25x)</i>	1
5	1579211	(Prev.Torque lock nuts, thin type, with polyam.Insert, black, M5, kit 25 Pcs.) <i>Replaces 109.1003 (25x)</i>	1
5	1579212	(Prev.Torque lock nuts, thin type, with polyam.Insert, zi.Bl., M5, kit 25 Pcs.) <i>Replaces 109.5008 (25x)</i>	1
6	1579213	(Prev.Torque lock nuts, thin type, with polyam.Insert, black, M6, kit 25 Pcs.) <i>Replaces 109.1004 (25x)</i>	1
6	1579214	(Prev.Torque lock nuts, thin type, with polyam.Insert, zi.Bl., M6, kit 25 Pcs.) <i>Replaces ZM106001A (25x)</i>	1
7	1579215	(Prev.Torque lock nuts, thin type, with polyam.Insert, black, M8, kit 25 Pcs.) <i>Replaces 109.1005 (25x)</i>	1
8	1579216	(Prev.Torque lock nuts, thin type, with polyam.Insert, black, M12, kit 4 Pcs.) <i>Replaces 109.1007 (4x)</i>	1
9	1579217	(Preva.Torq.Hex lock nuts, high type with poly.Insert, black, M5, kit 25 Pcs.) <i>Replaces 1493771 (25x)</i>	1
10	1579218	(Preva.Torq.Hex lock nuts, high type with poly.Insert, black, M6, kit 25 Pcs.) <i>Replaces 109.5001 (25x)</i>	1
11	1579219	(Prevail.Torque hex domed cap nuts with polyam.Insert, black, M5, kit 25 Pcs.) <i>Replaces 109.5006 (25x)</i>	1
12	1579220	(Prevail.Torque hex domed cap nuts with polyam.Insert, black, M6, kit 25 Pcs.) <i>Replaces 109.5003 (25x)</i>	1
13	1579221	(Prevailing torque hex lock nuts, all-metal, thin typeblack, M8, kit 10 Pcs.) <i>Replaces 109.5005 (10x)</i>	1

(Nuts)

14	1579222	(Prevailing torque hex lock nuts, all-metal, thin typeblack, M12, kit 4 Pcs.) <i>Replaces 109.5004 (4x)</i>	1
15	1579223	(Blind rivet nuts, flat head, open type, black, M5, kit 10 Pcs.) <i>Replaces 180.4007 (10x)</i>	1
16	1579224	(Blind rivet nut with low countersunk head, open type, black, M6, kit 10 Pcs.) <i>Replaces 180.4105 (10x)</i>	1

(Pins, rivets, ...)



1	1579302	(Parallel pins, Ø3x4 m6, kit 10 Pcs.) <i>Replaces 1439336 (10x)</i>	1
2	1579303	(Parallel pins, Ø3x10 m6, kit 10 Pcs.) <i>Replaces 1439337 (10x)</i>	1
3	1579304	(Parallel pins, Ø4x12 m6, kit 20 Pcs.) <i>Replaces 200.1124 (20x)</i>	1
4	1579305	(Parallel pins, Ø4x28 m6, kit 20 Pcs.) <i>Replaces 1437344 (20x)</i>	1
5	1579306	(Parallel pins, Ø4x12 h8, kit 20 Pcs.) <i>Replaces 1487663 (20x)</i>	1
6	1579307	(Parallel pins, Ø4x14 h8, kit 20 Pcs.) <i>Replaces 1487662 (20x)</i>	1
7	1579308	(Grooved pins, center grooved, Ø4x20, kit 20 Pcs.) <i>Replaces 1517718 (20x)</i>	1
8	1579309	(Slotted spring pins, heavy duty, Black, Ø2x24, kit 20 Pcs.) <i>Replaces 200.4011 (20x)</i>	1
9	1579310	(Slotted spring pins, heavy duty, Black, Ø2,5x14, kit 20 Pcs.) <i>Replaces 200.4007 (20x)</i>	1
10	1579311	(Slotted spring pins, heavy duty, stainless steel, Ø3x10, kit 20 Pcs.) <i>Replaces 1567997 (20x)</i>	1
11	1579312	(Spiral spring pins, Black, Ø4x20, kit 20 Pcs.) <i>Replaces 200.3167 (20x)</i>	1
12	1579313	(Dome head blind rivets, Ø4x8,5, kit 20 Pcs.) <i>Replaces 1439292 (20x)</i>	1
13	1579314	(Dome head blind rivets, Ø4x12,2, kit 20 Pcs.) <i>Replaces 180.5116 (20x)</i>	1
14	1579315	(Dome head blind rivets, Ø4x17,5, kit 20 Pcs.) <i>Replaces 180.5019 (20x)</i>	1
15	1579316	(Retaining rings for bores, Std.Design, Z.plat.Blue, Ø30,1X1,2, kit 20 Pcs.) <i>Replaces ZM50J281A (20x)</i>	1



Yes, you can.®



Belgium & Luxemburg:

Invacare nv, Autobaan 22, B-8210 Loppem
Tel: (32) (0)50 83 10 10, Fax: (32) (0)50 83 10 11
belgium@invacare.com / www.invacare.be

Denmark:

Invacare A/S, Sdr. Ringvej 37, DK-2605 Brøndby
Tel: (45) (0)36 90 00 00, Fax: (45) (0)36 90 00 01
denmark@invacare.com / www.invacare.dk

Deutschland:

Invacare Aquatec GmbH, Alemannenstraße 10, D-88316 Isny
Tel: (49) (0)75 62 7 00 0, Fax: (49) (0)75 62 7 00 66
info@invacare-aquatec.com / www.invacare-aquatec.de

European Distributor Organisation:

Invacare, Kleiststraße 49, D-32457 Porta Westfalica
Tel: (49) (0)57 31 754 540, Fax: (49) (0)57 31 754 541
edo@invacare.com / www.invacare.eu.com

España:

Invacare SA, c/Areny s/n, Polígon Industrial de Celrà, E-17460 Celrà (Girona)
Tel: (34) (0)972 49 32 00, Fax: (34) (0)972 49 32 20
contactsp@invacare.com / www.invacare.es

France:

Invacare Poirier SAS, Route de St Roch, F-37230 Fondettes
Tel: (33) (0)2 47 62 64 66, Fax: (33) (0)2 47 42 12 24
contactfr@invacare.com / www.invacare.fr

Ireland:

Invacare Ireland Ltd, Unit 5 Seatown Business Campus, Seatown Road, Swords, County Dublin - Ireland
Tel: (353) 1 810 7084, Fax: (353) 1 810 7085
ireland@invacare.com / www.invacare.ie

Italia:

Invacare Mecc San s.r.l., Via dei Pini 62, I-36016 Thiene (VI)
Tel: (39) 0445 38 00 59, Fax: (39) 0445 38 00 34
italia@invacare.com / www.invacare.it

Nederland:

Invacare BV, Celsiusstraat 46, NL-6716 BZ Ede
Tel: (31) (0)318 695 757, Fax: (31) (0)318 695 758
nederland@invacare.com, csede@invacare.com / www.invacare.nl

Norge:

Invacare AS, Grensesvingen 9, Postboks 6230, Etterstad, N-0603 Oslo
Tel: (47) (0)22 57 95 00, Fax: (47) (0)22 57 95 01
norway@invacare.com, island@invacare.com / www.invacare.no

Österreich:

Invacare Austria GmbH, Herzog Odilostrasse 101, A-5310 Mondsee
Tel: (43) 6232 5535 0, Fax: (43) 6232 5535 4
info-austria@invacare.com / www.invacare.at

Portugal:

Invacare Lda, Rua Estrada Velha, 949, P-4465-784 Leça do Balio
Tel: (351) (0)225 1059 46/47, Fax: (351) (0)225 1057 39
portugal@invacare.com / www.invacare.pt

Sverige & Suomi:

Invacare AB, Fagerstagatan 9, S-163 91 Spånga
Tel: (46) (0)8 761 70 90, Fax: (46) (0)8 761 81 08
sweden@invacare.com, finland@invacare.com / www.invacare.se

Switzerland:

Invacare AG, Benkenstrasse 260, CH-4108 Witterswil
Tel: (41) (0)61 487 70 80, Fax: (41) (0)61 487 70 81
switzerland@invacare.com / www.invacare.ch

United Kingdom:

Invacare Limited, Pencoed Technology Park, Pencoed, Bridgend CF35 5AQ
Switchboard Tel: (44) (0)1656 776200, Fax: (44) (0)1656 776201
Customer services Tel: (44) (0)1656 776222, Fax: (44) (0)1656 776220
uk@invacare.com / www.invacare.co.uk