

## *Spare Parts Catalogue*

---

Version: 2015/05/13a EN



*Invacare*® **PRONTO M61**



**Yes, you can.®**

## **General Information**

*For any order of spare parts the following information is required:*

- Product type*
- Product name & model*
- Serial Number*
- Part-Number*
- Part-Description*

*Exploded view drawings and code numbers are not contractual and subject to modification, in relation to Invacare® continuous product improvement policy to meet end users needs.*

*The reproduction or use of this work, or of any substantial part of this work, in any form or by any electronic, mechanical or other means, including photocopying, scanning and recording, and in any information storage and retrieval system, including electronic transmission, is forbidden without the prior written permission of Invacare® International Sarl.*



Yes, you can.<sup>®</sup>

## TABLE OF CONTENTS

---

### Information & User Manuals

User Manuals M61 .....	5
------------------------	---

### Chassis

Chassis .....	6
Lifter .....	7
Side Shrouds .....	8
Walking Beam front .....	9
Shrouds .....	10

### Seat

Captain's Seat & Support .....	11
Seatframe .....	12

### Backrest

Backpost Support Assembly for adjustable back .....	13
Backpost Support Assembly for fixed back, manual .....	14
Backpost Support Assembly for manual adjustment .....	15
Backrest Upholstery for Fixed Backplate .....	16
Tension Adjustable Canvas .....	17

### Legrests / Hangers

Legrest Support, 70°/90°, Firm-Seat .....	18
Legrest Support, angle adj., Firm-Seat .....	19
Hanger 70 Deg, Standard .....	20
Hanger 70 Deg, Junior .....	21
Hanger 90 Deg, Adjustment .....	22
Hanger Angle, Adjustment .....	23
Elevating Legrest Manual .....	24
Amputee Support .....	25

### Footplates / Support tubes

Central Footplate .....	26
Footplate for Van-Seat .....	27
Footrest, fixed, 70° .....	28
Footrest, angleadjustable, 70° .....	29

### Armrests

Armrests Van-Seat .....	30
Padded Armrest .....	31
Armlehne Ergonomic .....	32

### Castors

Tyres & Wheelforks .....	33
--------------------------	----

### Propulsion

Motor & Drive Wheel .....	34
---------------------------	----



Yes, you can.®

## TABLE OF CONTENTS

---

### Electronic

Electronic .....	35
Powermodules .....	36
Upgrade-Kit 80A ACS => ACS2, Dragon / Tiger / Topan .....	37
Upgrade-Kit 80A ACS => ACS2, Dragon Vertic .....	38
Retrofit-Kit 80A ACS => ACS2 .....	39
Upgrade-Kit 80A ACS => ACS2, Storm <sup>3</sup> Vertic .....	40
Shark Remote & Brackets .....	41
Remote Shark with Bracket Standard .....	42
Remote Shark with Bracket swing away ==> 31/12/08 .....	43
Remote Shark with Bracket swing away 01/01/09 ==> .....	44
Remote Shark with Bracket Standard (Van-Seat) .....	45
Remote Shark with Bracket Swing Away (Van-Seat) .....	46
Shark Cables & Accessories .....	47
Bus-Cables Shark .....	48
Cables Shark .....	49
Programming Kits .....	50

### Cable, Charger & Batteries

Batteries .....	51
Chargers .....	52
Cable .....	53

### Safety Options

Lap Belt .....	54
----------------	----

### Seat Accessories

Trunk support Firm seat .....	55
Seat Cushions .....	56
Headrest .....	57
Headrest sidewise adjustable .....	58

### Accessories

Tray Assembly .....	59
Crutch/ Cane Holder .....	60

## User Manuals M61

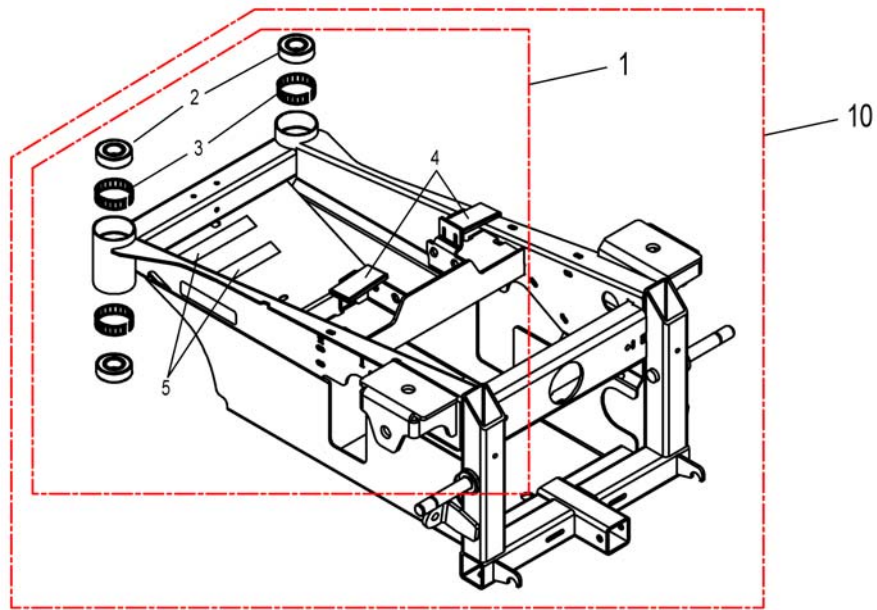
languages.io

BG	Български	FR	Français	NL	Nederlands	SV	Svenska
CS	Čeština	HE	עברית	NO	Norsk	UK	Українська
DA	Dansk	HR	Hrvatski	PL	Polski		
DE	Deutsch	HU	Magyar	PT	Português		
EN	English	IT	Italiano	RU	Русский		
ES	Español	JA	日本語	RO	Română		
ET	Eesti	LV	Latviešu	SK	Slovenčina		
FI	Suomi	LT	Lietuvių	SL	Slovenščina		

Pos.	Part number	Description	Valid from → until	Qty
DA	SP1141429A	User Manual Pronto M61 Driveunit Danish		1
DE	1515265	User Manual Pronto M61 Driveunit German		1
EN	SP1141430A	User Manual Pronto M61 Driveunit English		1
ES	SP1141451A	User Manual Pronto M61 Driveunit Spanish		1
FR	SP1139640A	User Manual Pronto M61 Driveunit French		1
IT	SP1167570A	User Manual Pronto M61 Driveunit Italian		1
NL	1533964	User Manual Pronto M61 Driveunit Dutch		1
PT	SP1167545A	User Manual Pronto M61 Driveunit Portuguese		1
DE	1511874	User Manual Seatunit Pronto M61 German		1
EN	1511875	User Manual Seatunit Pronto M61 English		1
FR	1535831	User Manual Seatunit Pronto M61 French		1
NL	1533963	User Manual Seatunit Pronto M61 Dutch		1
PT	1526091	User Manual Seatunit Pronto M61 Portuguese		1

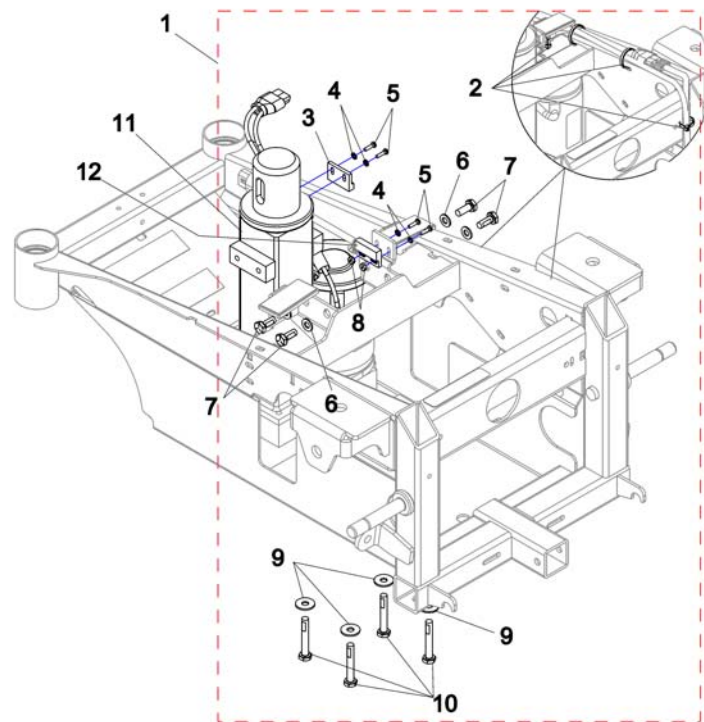
# Chassis

001(A).dwg



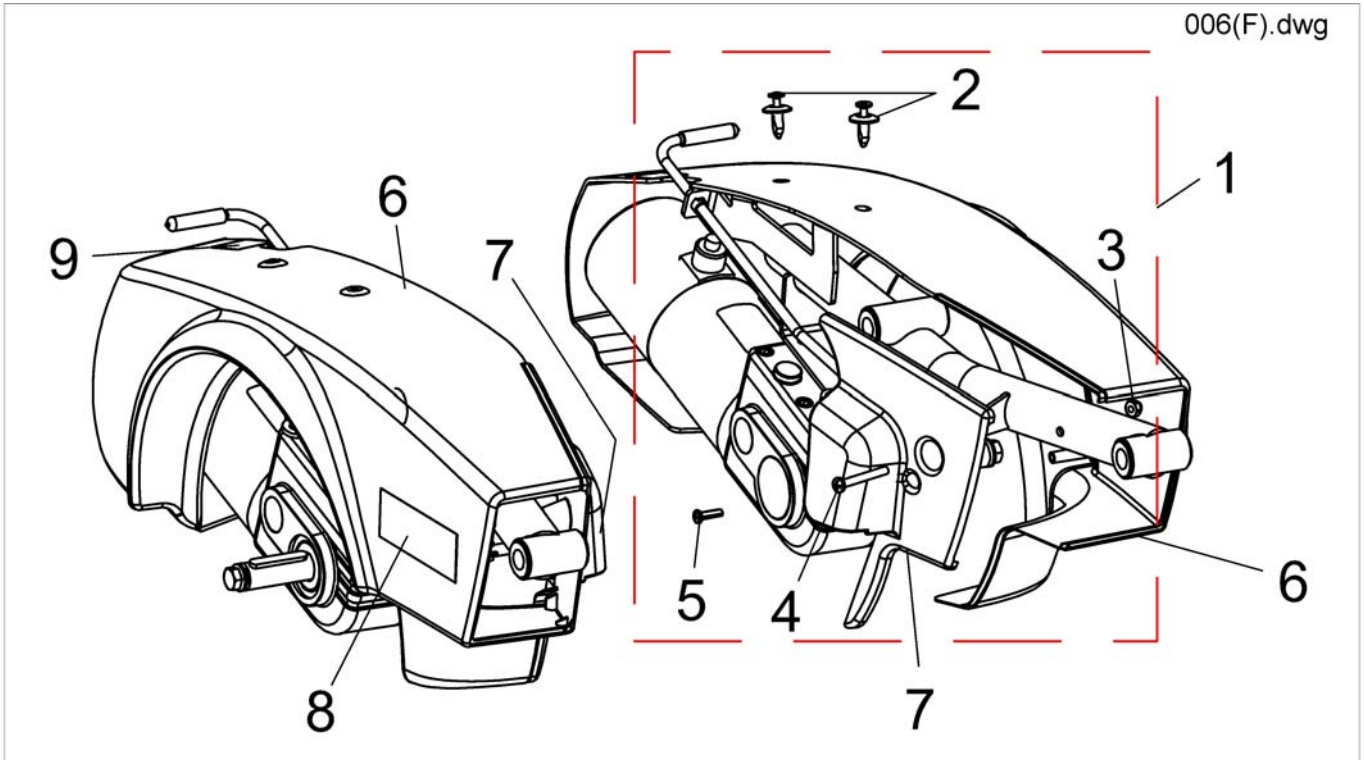
Pos.	Part number	Description	Valid from → until	Qty
1	SP1537450	Frame hardware Kit <i>Includes items 2-5</i>		1
10	SP1537443	Frame Assembly, Elevating Seat <i>Includes items 2-5</i>		1

004(D).dwg



Pos.	Part number	Description	Valid from → until	Qty
1	SP1127303	Kit, Elevating Actuator Hardware <i>Includes items 1-10</i>		1
3	SP1024001	Magnet, Actuator Switch		1
11	SP1537442	Actuator, Elevating Pivot		1
12	SP1537447	Harness, Proximity Sensor		1

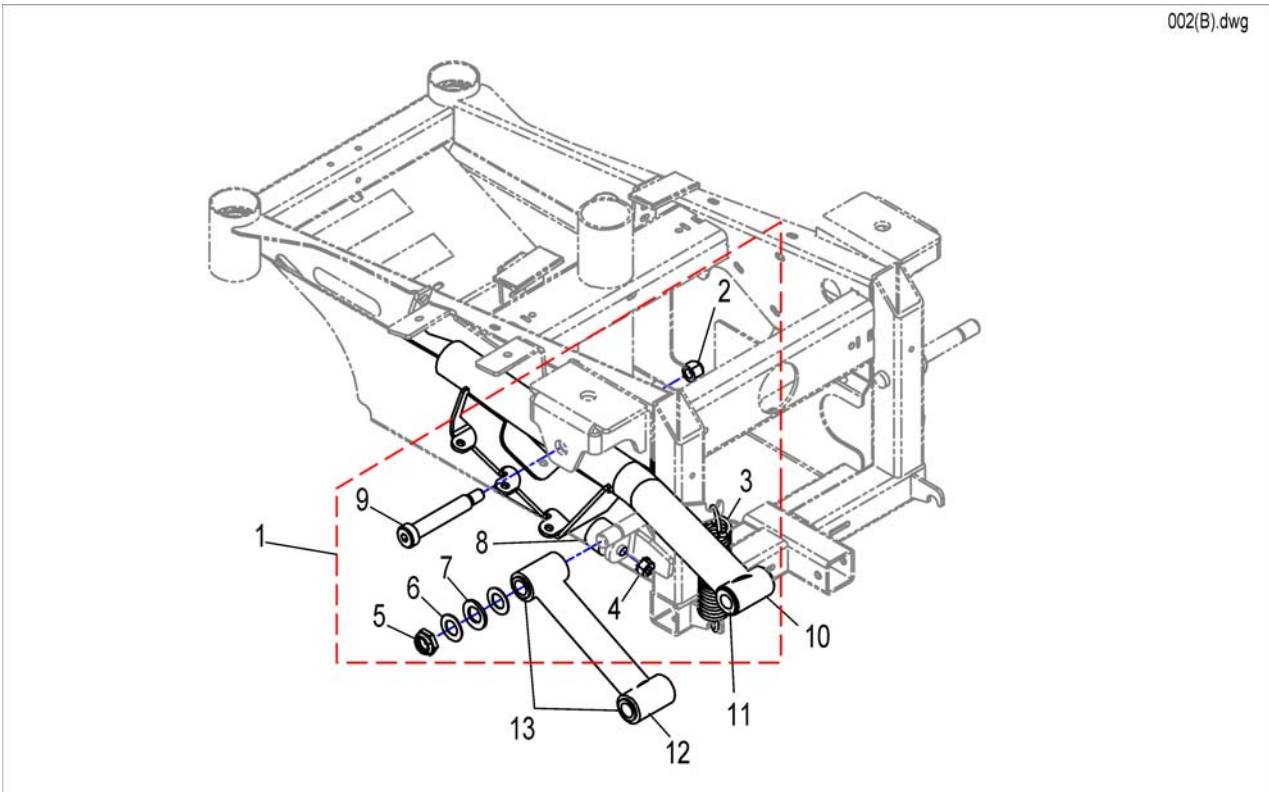
## Side Shrouds



Pos.	Part number	Description	Valid from → until	Qty
1	SP1537462	Kit, Side and Inner Shroud Hardware <i>Includes items 2-5</i>		1
6	1127332	Side shroud red / right		1
6	1127333	Side shroud red / left		1
6	1127334	Side shroud blue / right		1
6	1127335	Side shroud blue / left		1
7	SP1127380	Inner shroud, RH		1
7	SP1127381	Inner shroud, LH		1
8	SP1537448	Decal, Shroud M61		1
9	1104797	Disengaging information label		1



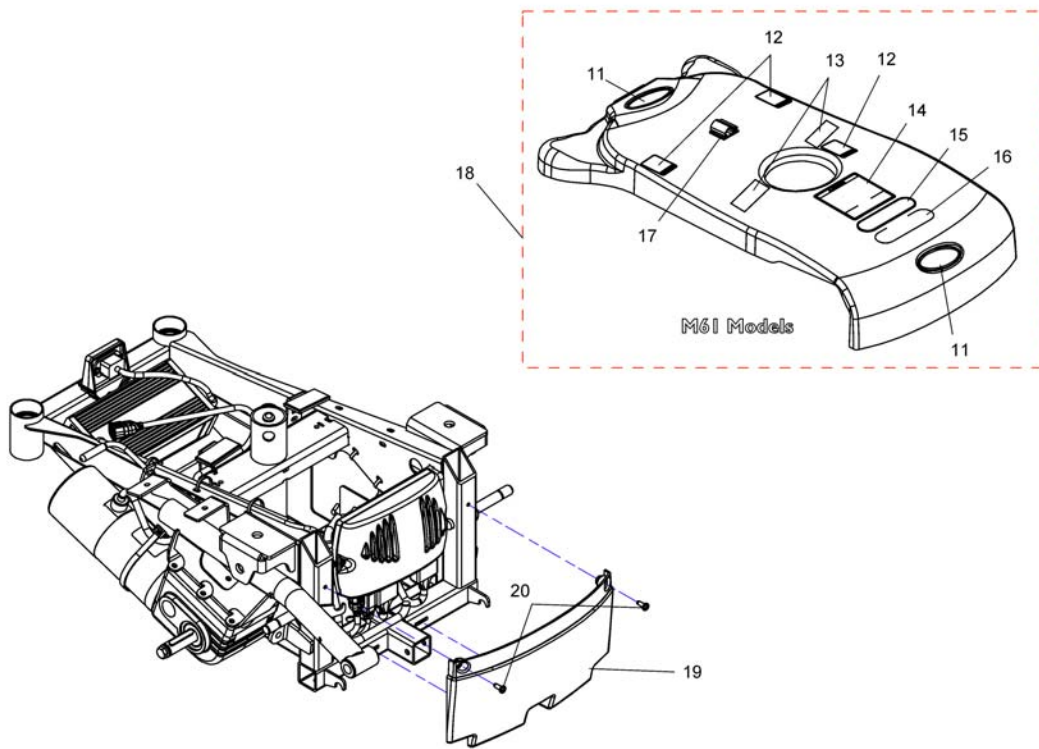
002(B).dwg



Pos.	Part number	Description	Valid from → until	Qty
1	SP1537461	Kit, SureStep Walking Beam Hardware <i>Includes items 2-9</i>		1
10	SP1537456	Walking Beam, SureStep - Right <i>Includes item 11</i>		1
10	SP1537457	Walking Beam, SureStep - Left <i>Includes item 11</i>		1
11	SP1537455	Bearing, Flange (1/2 x 7/8 )"		1
12	SP1537424	Tube, Pivot		1
13	SP1537422	Bushing (1/2 x 5/8 )"		1

# Shrouds

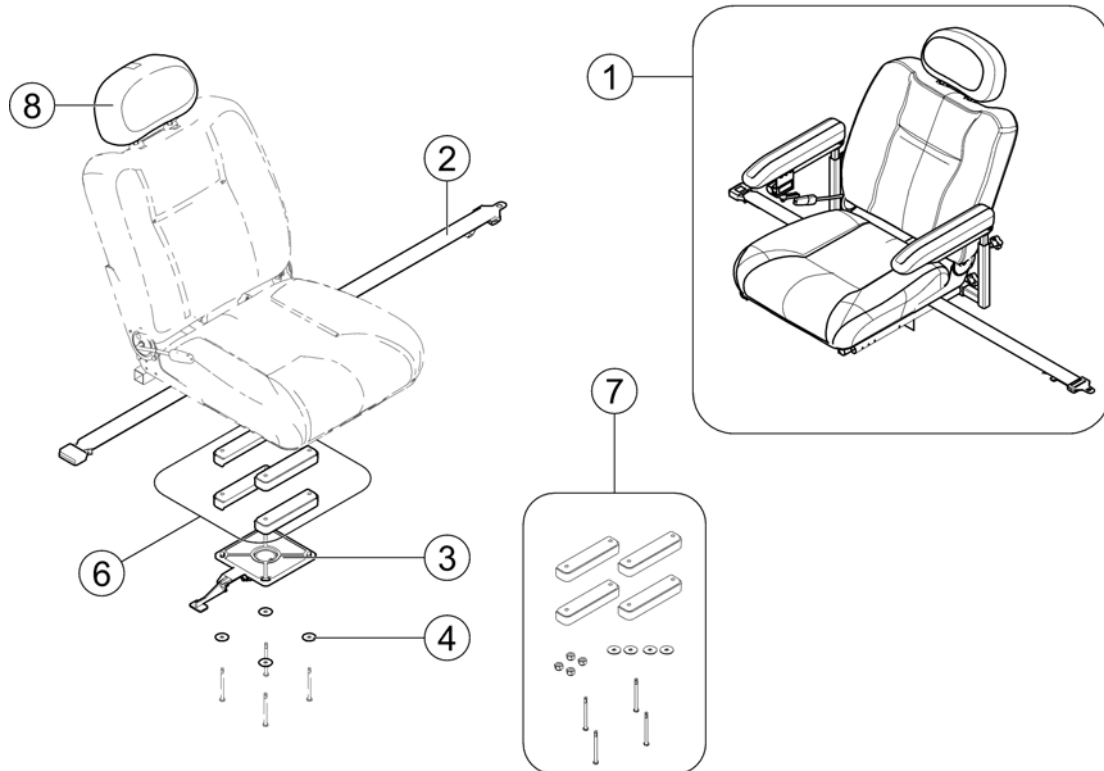
007(G).dwg



Pos.	Part number	Description	Valid from → until	Qty
11	SP1537417	Decal, Invacare 3-D Logo (2-1/2 L)"		1
12	SP1537414	Information label 'Warning pinch point' (UK)		1
13	SP1537411	Fastener, Loop with Adhesive Back (1 Wide		1
17	SP1537445	Clip, Wire with Adhesive Back		1
18	SP1537444	Top shroud Assembly <i>Includes items 11-17</i>		1
19	SP1537458	Shroud, Front		1
20	SP1537404	Screw, Phillips Pan Head Tap (#10-32 x 1/2 )"		1

Invacare® Pronto M61 | Seat  
**Captain's Seat & Support**

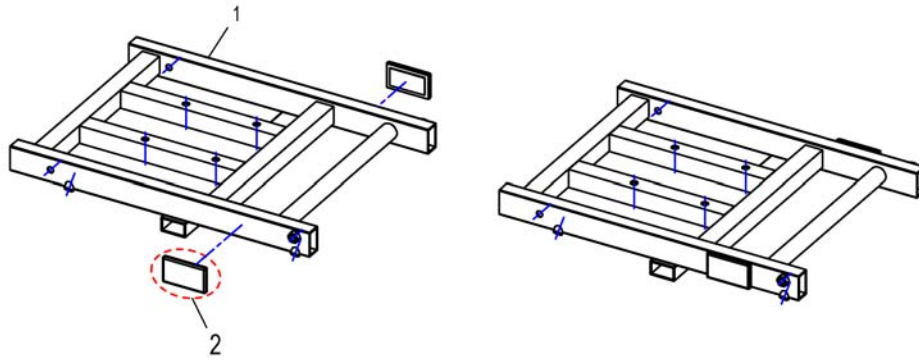
003C iso



Pos.	Part number	Description	Valid from → until	Qty
1	SP1136813	Captain's Seat 457mm (18"), complete <i>Replaces: 1127716 Van Seat</i>		1
2	SP1034625	20" Wide Chair Strap		1
3	SP1537439	Pivot, Seat		1
4	SP1537416	Washer, Steel (5/16 x 1-1/4 x 1/16 )"		1
6	SP1537463	Spacer, Seat		1
7	SP1537464	Kit, Seat Spacer Retro-fit Kit		1
8	SP1537453	Headrest		1
-	SP1537452	Package, Adjustment Knobs		1
-	SP1537451	Package, Screws Socket Head Cap w/ Patch (1/4-20 x 3/4 )" <i>Kit, will include 4 Screws</i>		1
-	SP1537465	Kit, Seat Angle Bracket		1

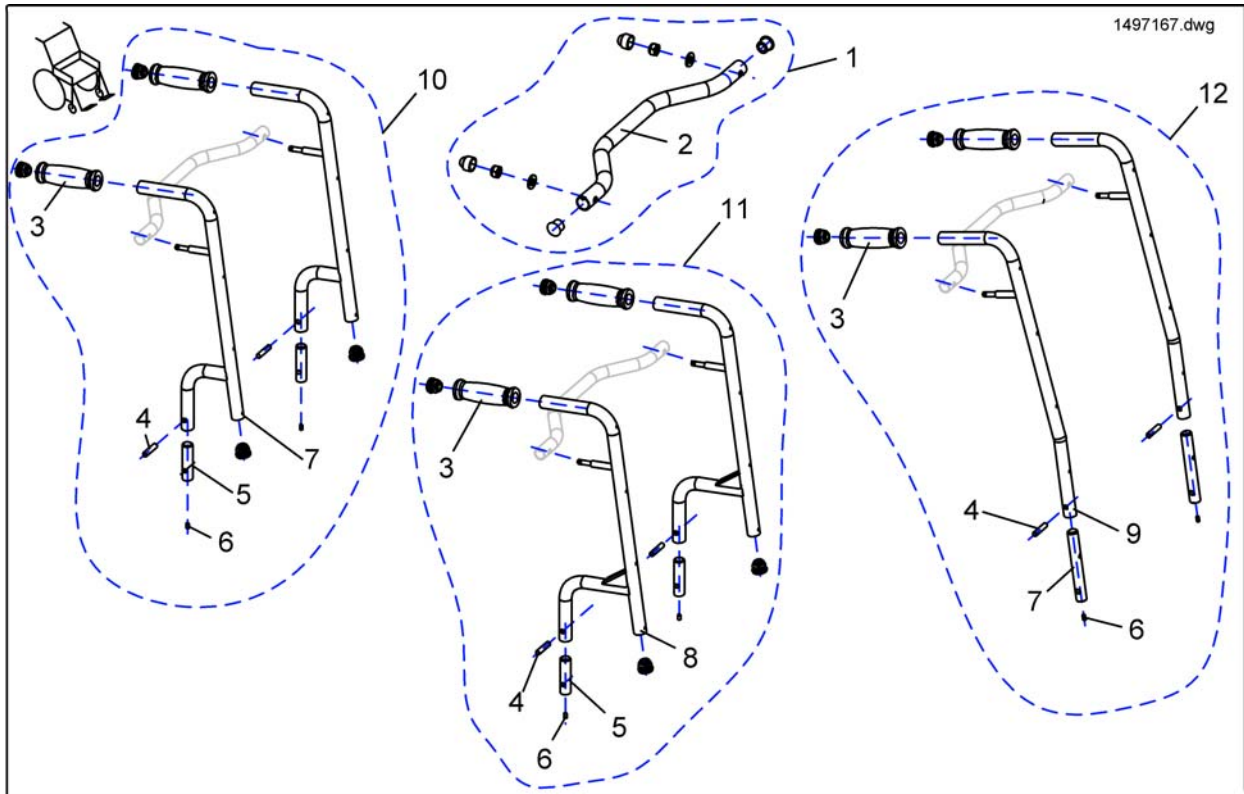
# Seatframe

1511904X.dwg



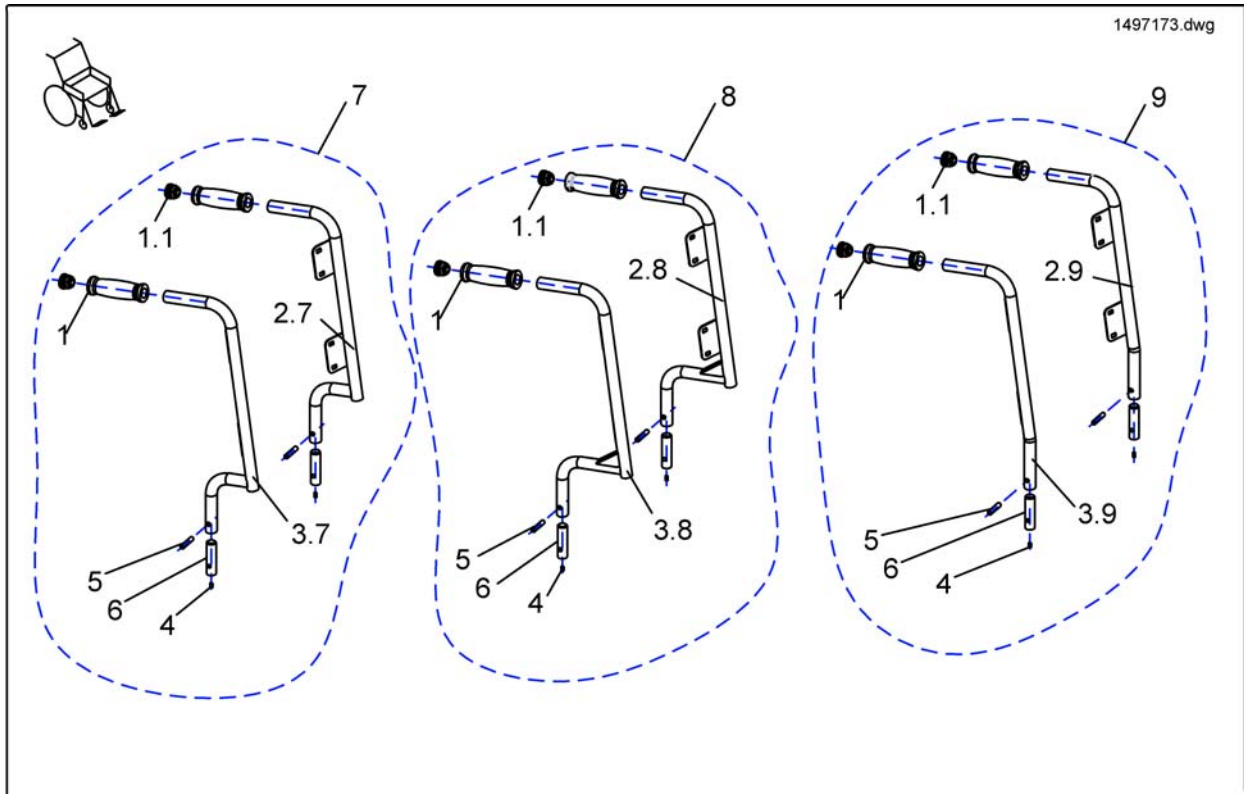
Pos.	Part number	Description	Valid from → until	Qty
1	SP1511333	Seatframe SB33		1
1	SP1511332	Seatframe SB38		1
1	1511061-9005	Seatframe SB43		1
2	SPP31298	Reflector, yellow		1
3	SP1537465	Kit, Seat Angle Bracket		1

## Backpost Support Assembly for adjustable back



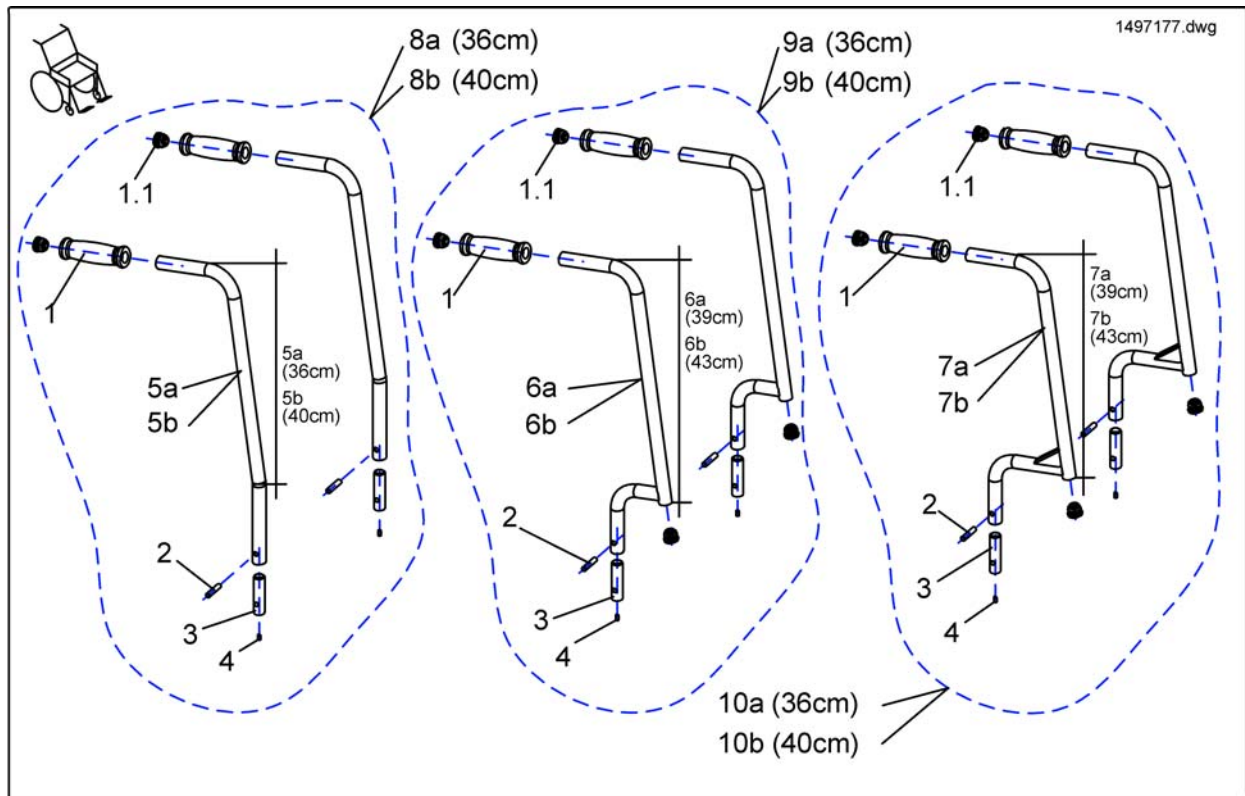
Pos.	Part number	Description	Valid from → until	Qty
1	SP1497169	Crossbar SW 33cm		1
1	SP1497170	Crossbar SW 38cm		1
1	SP1497171	Crossbar SW 43cm		1
2	1422457-0205	Crossbar SW38cm		1
2	1422456-0205	Crossbar SW33cm		1
2	1422458-0205	Crossbar SW43cm		1
3	1435421	Handle plastic black Ø22 "Invacare"		2
4	90370401	Third length center grooved pin ISO8742-8x40 zc		2
5	20001132	Reinforcing Plug MK2 (B) Backpost		2
6	00007986	Set screw DIN916-M05x10 zc		2
7	1422459-0205	Backpost SD 35/38cm		2
7	00007986	Set screw DIN916-M05x10 zc		2
8	1422460-0205	Backpost SD 30/33cm		2
9	1422461-0205	Backpost SD 44/48cm		1
10	SP1497167	Backposts SD 35/38cm		1
11	SP1497166	Backposts SD 30/33cm		1
12	SP1497168	Backposts SD 44/48cm		1

# Backpost Support Assembly for fixed back, manual



Pos.	Part number	Description	Valid from → until	Qty
	1435421	Handle plastic black Ø22 "Invacare"		2
1.1	L01008	Tube End Plug SI 22		2
2.7	26003057	Backrest support SD 35/38cm LH		1
2.8	26003067	Backrest support SD 30/33cm LH		1
2.9	28000137	Backrest support SD 44/48cm LH (Standard)		1
2.9	SP1533246	Extended Backrest support SD 44/48cm LH (+150mm)		1
3.7	26003056	Backrest support SD 35/38cm RH		1
3.8	SP26003066	Backrest support SD 30/33cm RH		1
3.9	28000136	Backrest support SD 44/48cm RH (Standard)		1
3.9	SP1533245	Extended Backrest support SD 44/48cm RH (+150mm)		1
4	00007986	Set screw DIN916-M05x10 zc		2
5	90370401	Third length center grooved pin ISO8742-8x40 zc		2
6	20001132	Reinforcing Plug MK2 (B) Backpost		2
7	SP1497174	Backposts LH/RH, SD 35/38cm		1
8	SP1497173	Backposts LH/RH, SD 30/33cm		1
9	SP1497175	Backposts LH/RH, SD 44/48cm		1
9	SP1533554	Extendet backrest tube SD 44/48cm, cpl. (+150mm)		1

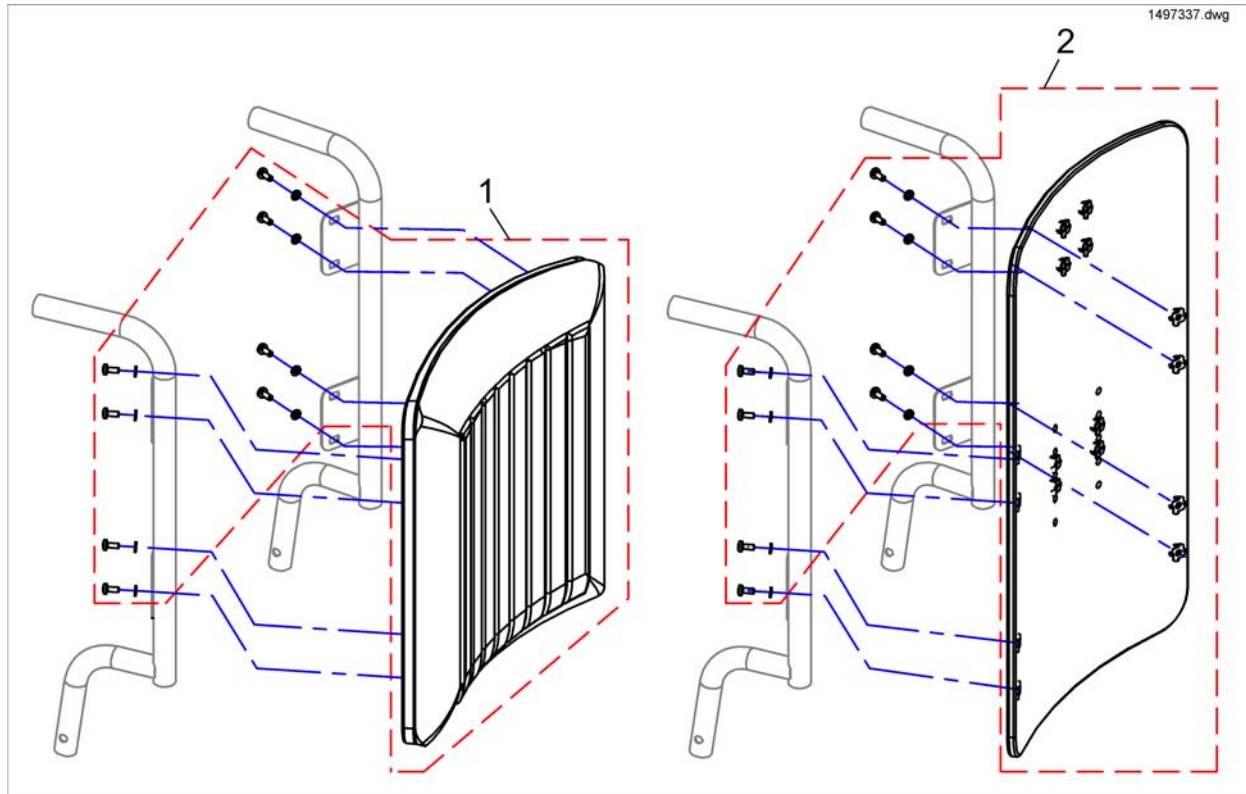
## Backpost Support Assembly for manual adjustment



Pos.	Part number	Description	Valid from → until	Qty
1	1435421	Handle plastic black Ø22 "Invacare"		2
1.1	L01008	Tube End Plug SI 22		4
2	90370401	Third length center grooved pin ISO8742-8x40 zc		2
3	20001132	Reinforcing Plug MK2 (B) Backpost		2
4	00007986	Set screw DIN916-M05x10 zc		2
5b	1422365-0205	Backpost SD 44/48cm (long)		1
6a	26002856	Backpost SD 35/38cm (short)		1
6b	1422364-0205	Backpost SD 35/38cm (long)		1
7a	26002857	Backpost SD 30/33cm (short)		1
7b	1422363-0205	Backpost SD 30/33cm (long)		1
8a	SP1497179	Swan Backpost SD 44/48 (short), cpl.		1
8b	SP1497217	Swan Backpost SD 44/48 (long), cpl.		1
9a	SP1497178	Swan Backpost SD 35/38 (short), cpl.		1
9b	SP1497202	Swan Backpost SD 35/38 (long), cpl.		1
10a	-	No longer available.		0
10b	SP1497180	Swan Backpost SD 30/33 (long), cpl.		1



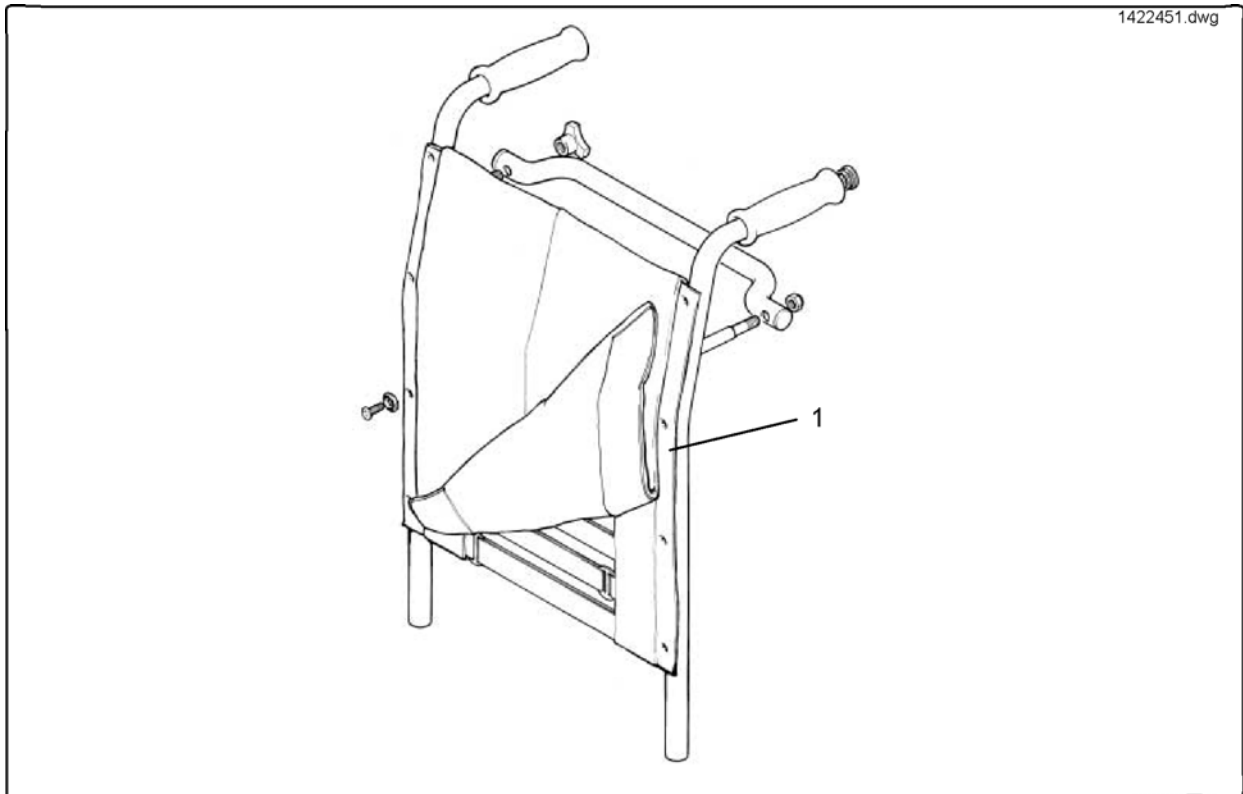
## Backrest Upholstery for Fixed Backplate



Pos.	Part number	Description	Valid from → until	Qty
1	SP1497333	Padded Back SW33 / H43, black Jemima		1
1	SP1497335	Padded Back SW38 / H43, black Jemima		1
1	SP1497336	Padded Back SW38 / H57, black Jemima		1
1	SP1497337	Padded Back SW43 / H43, black Jemima		1
1	SP1497338	Padded Back SW43 / H57, black Jemima		1
2	SP1497363	Backboard SW 38cm, cpl.		1
2	SP1497364	Backboard SW 43cm, cpl.		1
-	1448836-0227	Back Cushion, Black Plush, SW380mm		1
-	1444857-0227	Back Cushion, Black Plush, SW430mm		1
-	SP1427118-TR26	Backrest Cushion Laguna, 372x550mm, Dartex black		1
-	SP1427120-TR26	Backrest Cushion Laguna, 452x550mm, Dartex black		1

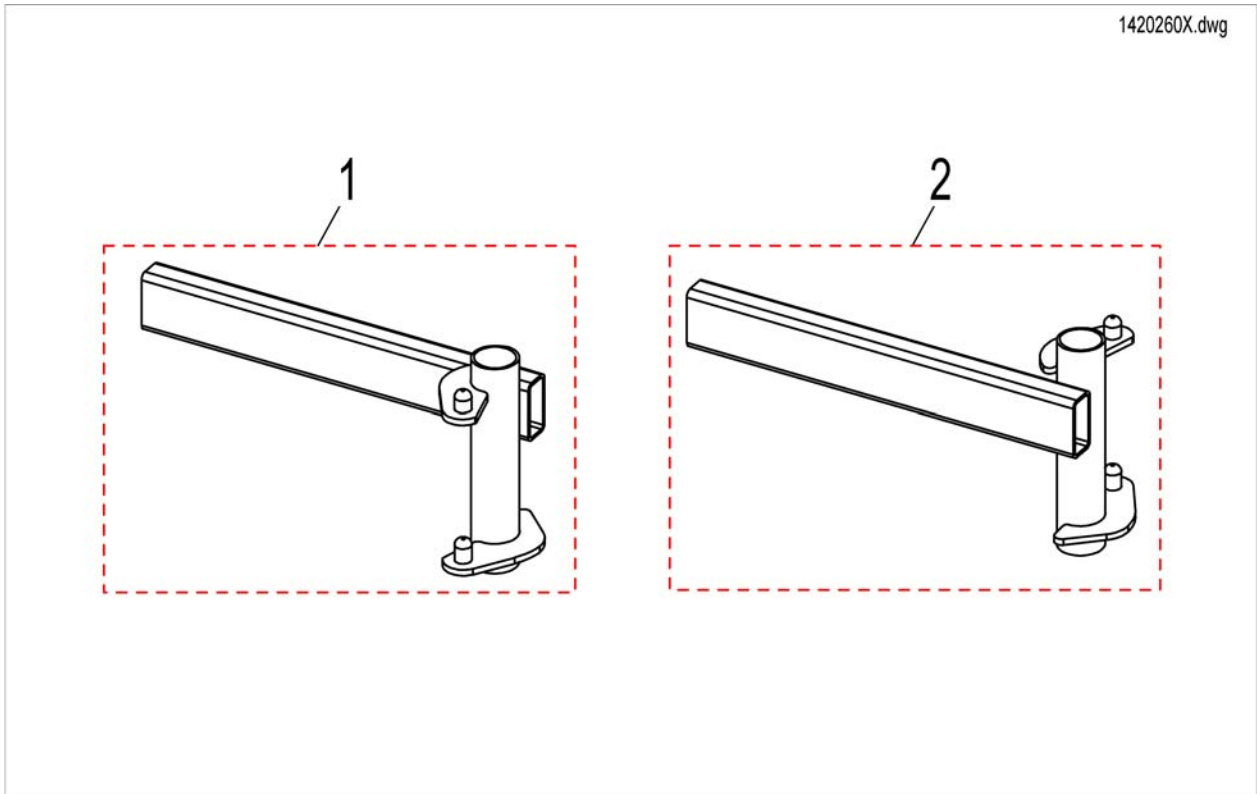


## Tension Adjustable Canvas



Pos.	Part number	Description	Valid from → until	Qty
1	1422451-0207	Tension Adjustable Backrest Upholstery - Black Nylon Only, 33cm		1
1	1422452-0207	Tension Adjustable Backrest Upholstery - Black Nylon Only, 38cm		1
1	1422453-0207	Tension Adj.Back Nylon 43cm		1

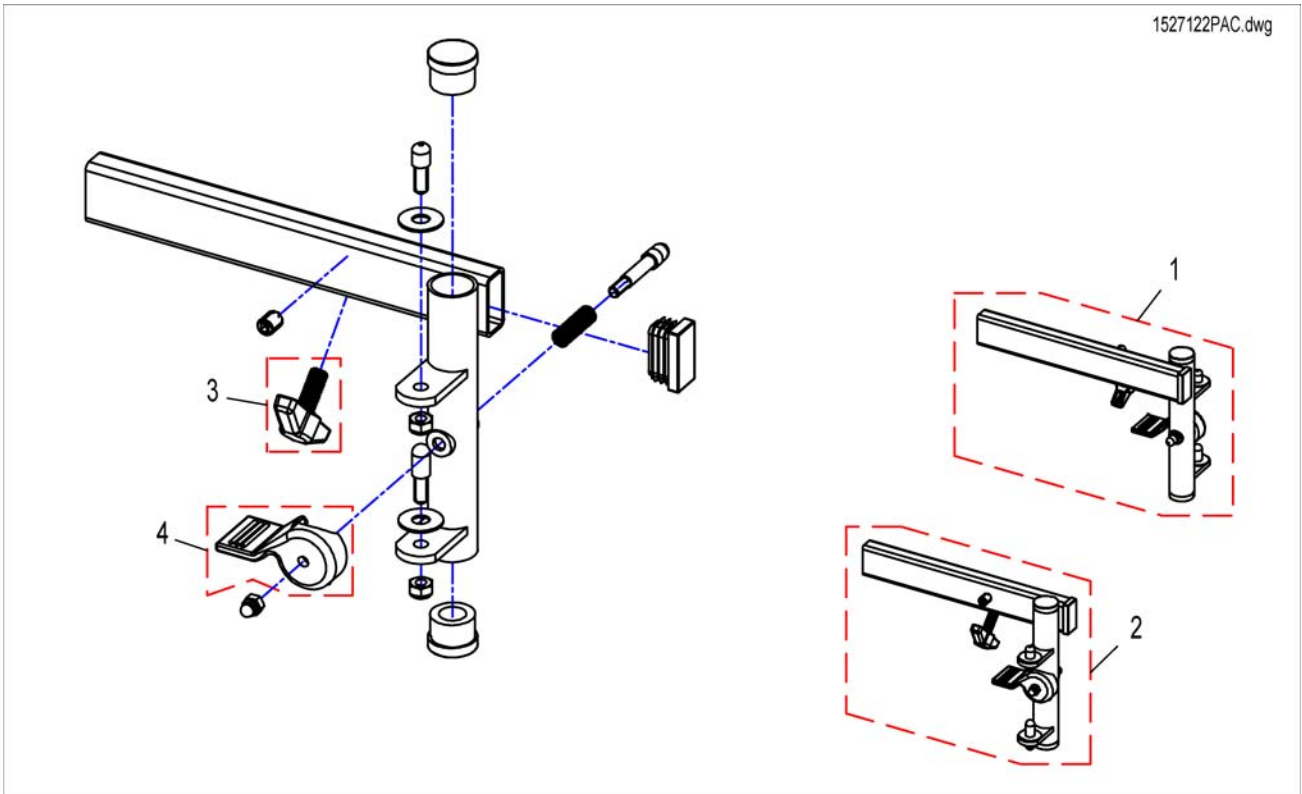
# Legrest Support, 70°/90°, Firm-Seat



Pos.	Part number	Description	Valid from → until	Qty
1	SP1420260	Legrest Support for Hanger 70°/90° RH		1
2	SP1420261	Legrest Support for Hanger 70°/90° LH		1

# Legrest Support, angle adj., Firm-Seat

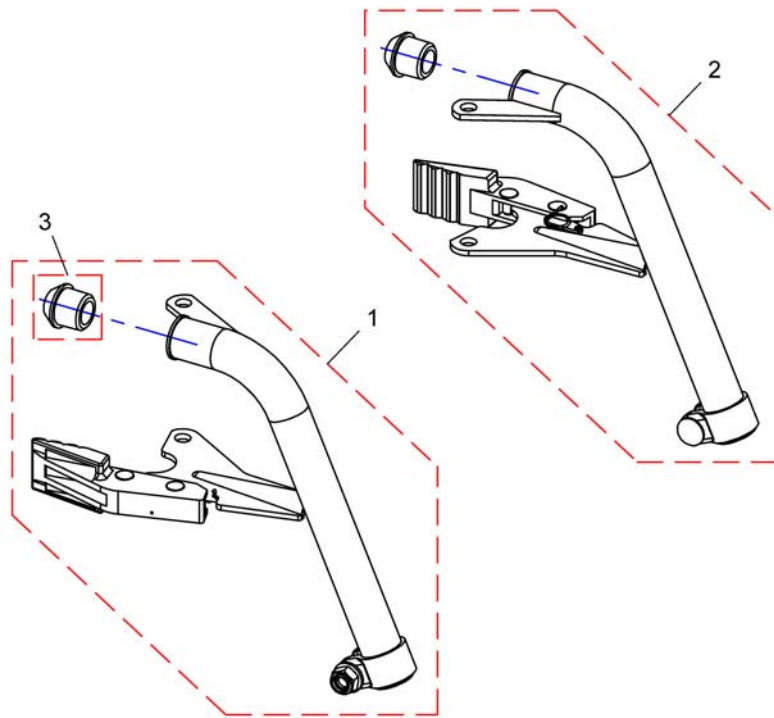
1527122PAC.dwg



Pos.	Part number	Description	Valid from → until	Qty
1	SP1527124	Legrest support for 80° Legrest LH		1
2	SP1527122	Legrest Support for 80° Legrest RH		1
3	256099	Wing Screw M8 X 20 639		1
4	5006757	RELEASE LEVER - LH		1
4	5006756	RELEASE LEVER - RH		1

## Hanger 70 Deg, Standard

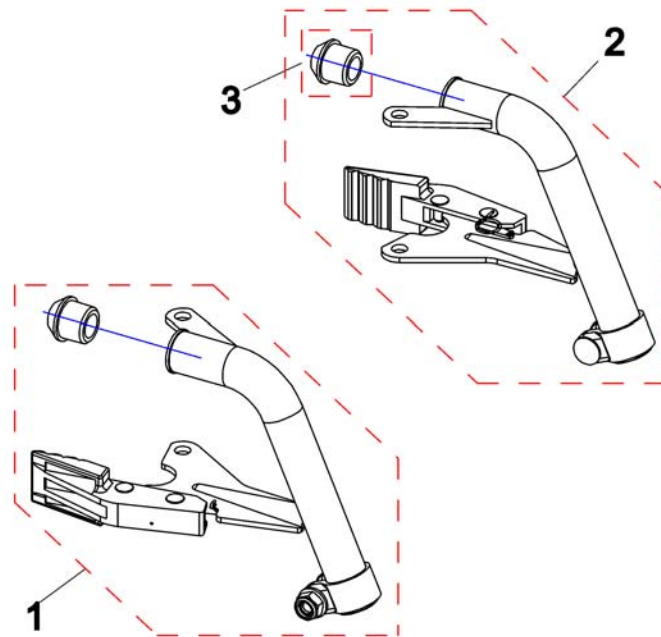
1497862.dwg



Pos.	Part number	Description	Valid from → until	Qty
1	SP1497862	Hanger 70 Deg, Standard, LH cpl.		1
2	SP1497827	Hanger 70 Deg, Standard, RH cpl.		1
3	5007790	Rubber pin		1

# Hanger 70 Deg, Junior

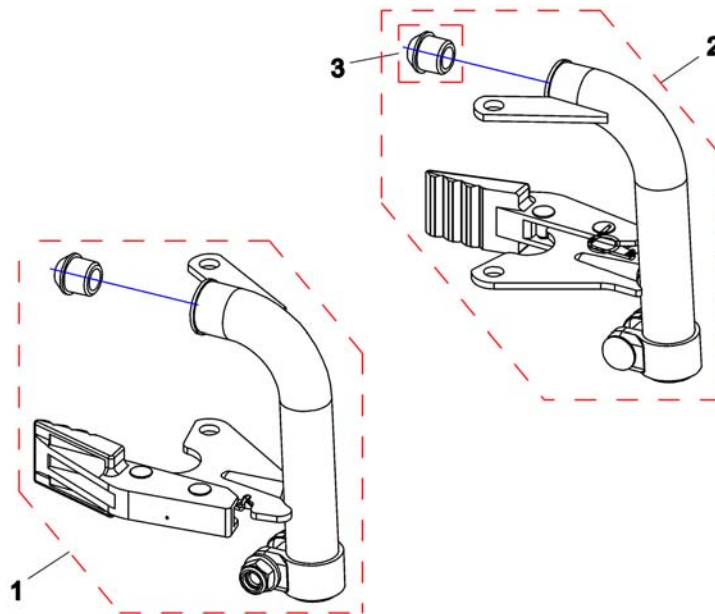
1497864.dwg



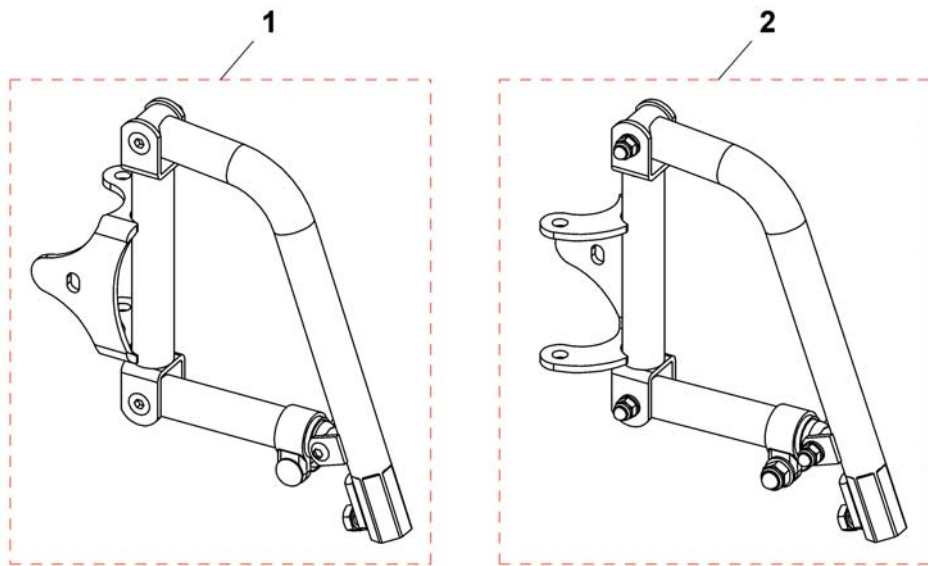
Pos.	Part number	Description	Valid from → until	Qty
1	SP1497864	Hanger 70 Deg, Junior, LH cpl.		1
2	SP1497863	Hanger 70 Deg, Junior, RH cpl.		1
3	5007790	Rubber pin		1

Invacare® Pronto M61 | Legrests / Hangers  
**Hanger 90 Deg, Adjustment**

1497866.dwg



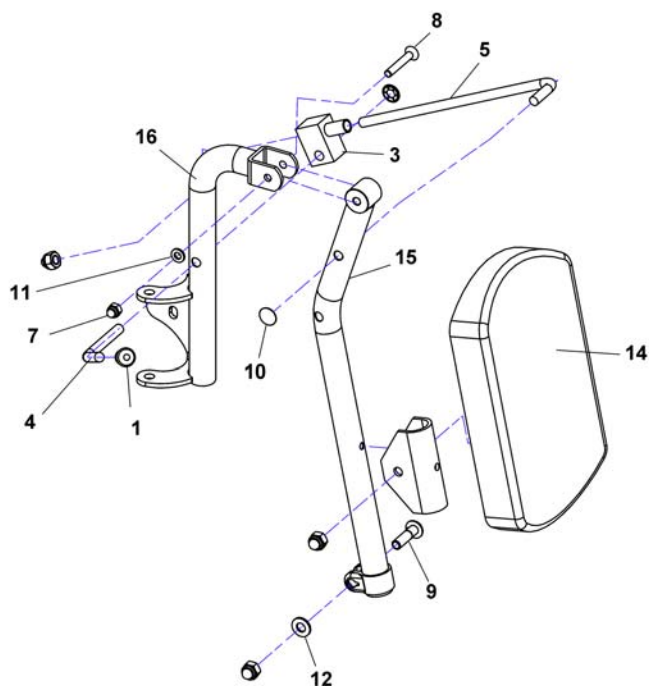
Pos.	Part number	Description	Valid from → until	Qty
1	SP1497866	Hanger 90 Deg, LH cpl.		1
2	SP1497865	Hanger 90 Deg, RH cpl.		1
3	5007790	Rubber pin		1



Pos.	Part number	Description	Valid from → until	Qty
1	1488704	Hanger Angle Adjustment, LH, cpl.		1
2	1492519	Hanger Angle Adjustment, RH, cpl.		1

# Elevating Legrest Manual

1497871.dwg

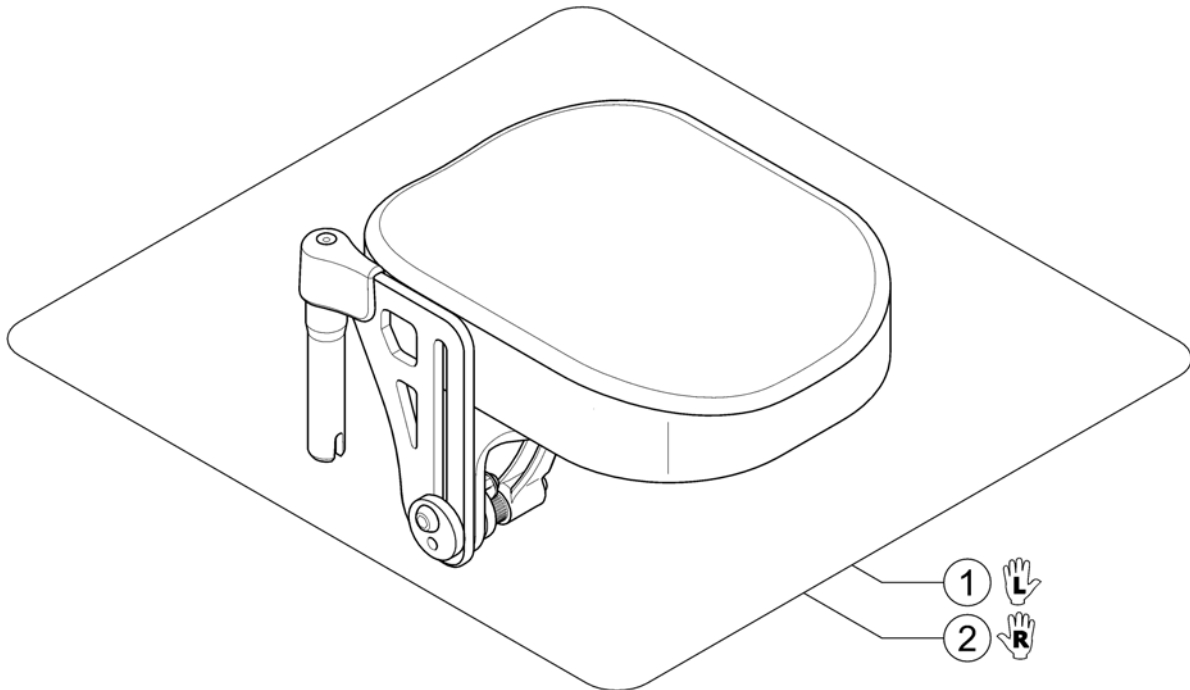


Pos.	Part number	Description	Valid from → until	Qty
1-16	SP1497871	Legrest Height Adjustment, RH, cpl.		1
1-16	SP1497872	Legrest Height Adjustment, LH, cpl.		1
1	5007794	Cap		1
3	5001839	Locking Case		1
4	0464310	Adjustment lever RH		1
5	-	Adjustment Rod		1
7	F60107	Cap nut DIN986-M06 bk		1
8	-	Countersunk bolt DIN7991-M06x40-10.9 bk		1
9	-	Cup head nip bolt DIN607-M08x30-8.8 zc		1
10	K32397	Starlock CAP 8 MM		1
11	G00115	Washer Ø6,4 bk - DIN 125		1
12	G00107	Washer Ø8,4 bk - DIN 125		1
13	1425961	Manual Elevating Legrest cpl. LH		1
13	1425960	Manual Elevating Legrest cpl. RH		1
14	6301333	Legrest calf pad		1
15	-	S/Away Elev Hanger BrktRH Tex Black		1
16	1422322-0205	Elev Hanger Brkt RH Blk		1



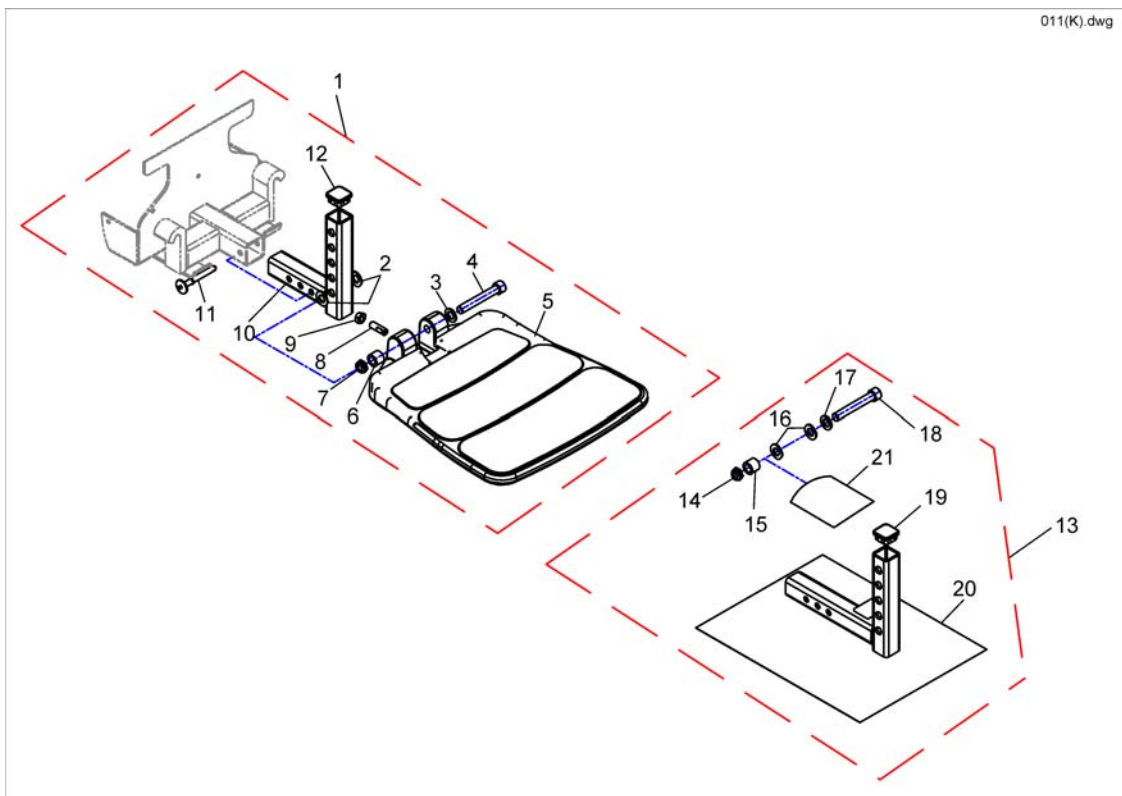
# Amputee Support

1578234.iso



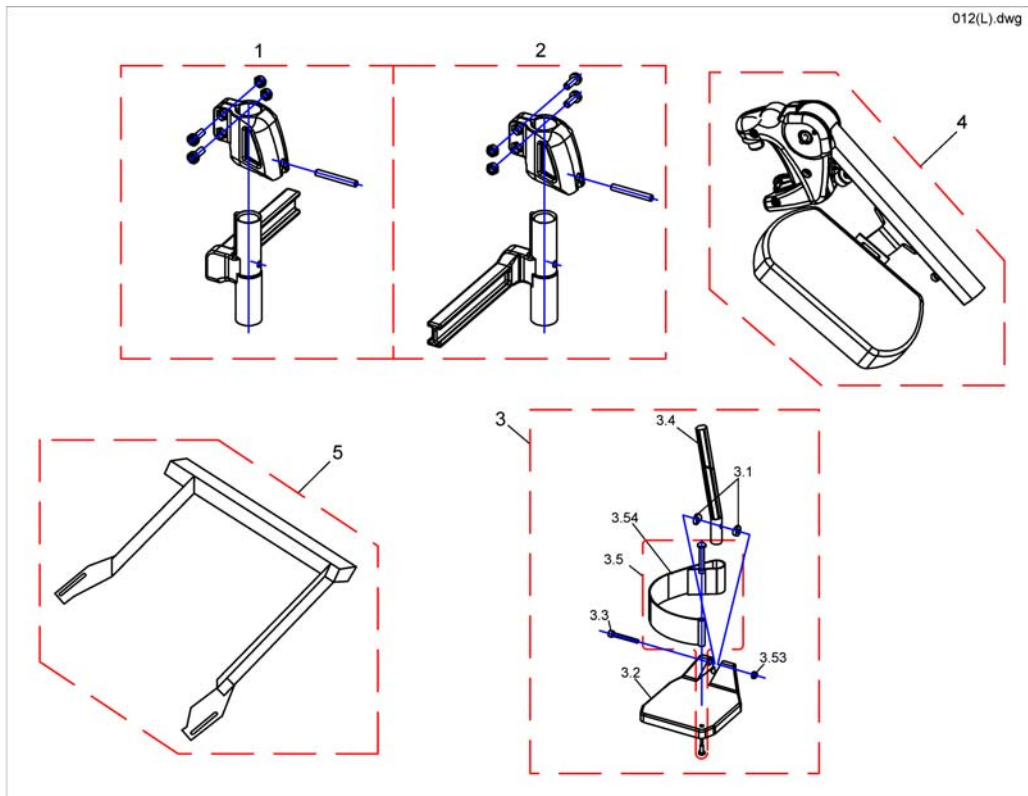
Pos.	Part number	Description	Valid from → until	Qty
1	1442991	Lh Amputee Legrest [0555]		1
2	1442990	Rh Amputee Legrest [0554]		1

# Central Footplate



Pos.	Part number	Description	Valid from → until	Qty
1	1105027	Footboard Assembly <i>Includes items 2-12</i>		1
13	SP1537438	Kit, 2 Footboard		1

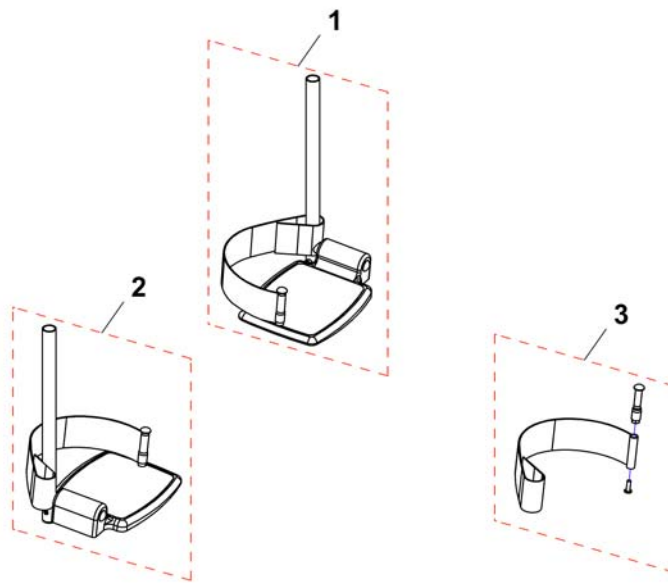
## Footplate for Van-Seat



Pos.	Part number	Description	Valid from → until	Qty
	SP1527820	Rework-Kit Vari A Legrest Version 1 => Version 2		1
1	SP1449736	Footrest/Legrest receptacle, manuell, RH, 8cm		1
2	SP1449737	Footrest/Legrest receptacle, manuell, LH, 8cm		1
3	Z173195	Fixed Footrest LH <i>Includes items 3.1 - 3.5</i>		1
3	Z173196	Fixed Footrest RH <i>Includes items 3.1 - 3.5</i>		1
3.1	0572-02152	Curved Washer		1
3.2	0572-04449	Footplate RH		1
3.2	0572-04435	Footplate LH		1
3.5	Z174158	Heelstrap Complete <i>Includes items 3.5.1 - 3.5.4</i>		1
4	SP1528843	Hanger VariA, RH, cpl.		1
4	SP1528842	Hanger VariA, LH, cpl.		1
5	SP1537470	Front Rigging Bracket PRONTO		1
	SP1537468	Front Rigging Fixing Kit Pronto		1

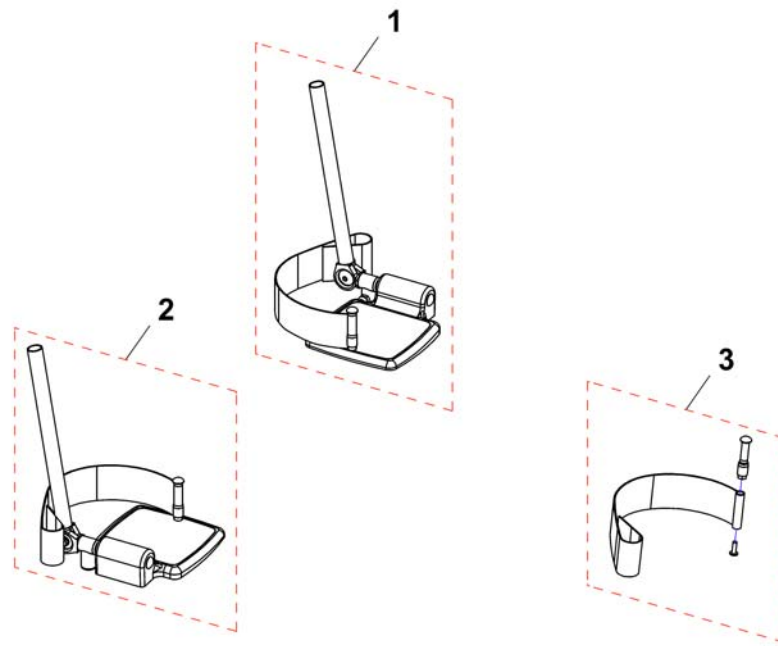
# Footrest, fixed, 70°

146704PAC.dwg



Pos.	Part number	Description	Valid from → until	Qty
1	1416153	F/Rest Ext Mini LH C/W		1
1	1422339	F/Rest Ext Mini LH C/W 7.5 Alum Footplates		1
1	26003109	F/Rest Ext Blk LH C/W 7.5 Alum Footplate		1
1	26003111	F/Rest Ext Blk LH Narr		1
2	1416152	F/Rest Ext Mini RH C/W		1
2	1422338	F/Rest Ext Mini RH C/W 7.5 Alum Footplates		1
2	26003108	F/Rest Ext Blk RH C/W 7.5 Alum Footplate		1
2	26003110	F/Rest Ext Blk RH Narr		1
3	SP1551628	Heel strap, cpl.		1

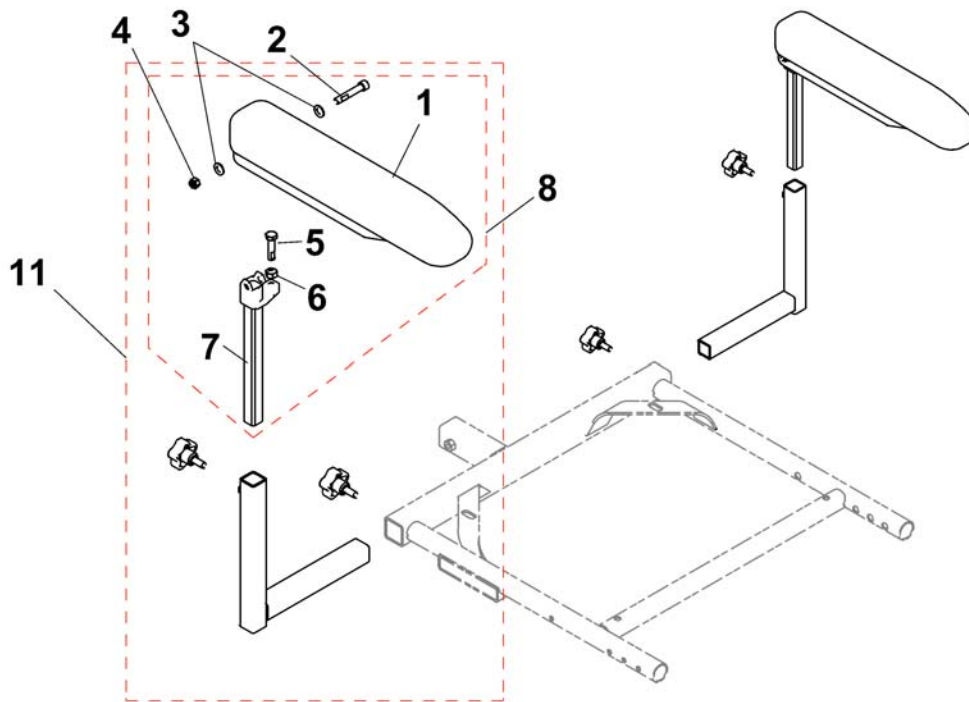
1497028PAC.dwg



Pos.	Part number	Description	Valid from → until	Qty
1	1425957	Adj Angle F/Rest Kit LH C/W 6.5 Alum Footplate		1
1	1425959	Adj Angle F/Rest Kit LH C/W 7.5 Alum Footplate		1
1	26002975	Adj F/Rest Ext Narrow LH		1
1	26003009	Adj F/Rest LH C/W 7.5 Alum Footplate		1
2	1425956	Adj Angle F/Rest Kit RH C/W 6.5 Alum Footplate		1
2	1425958	Adj Angle F/Rest Kit RH C/W 7.5 Alum Footplate		1
2	26002974	Adj F/Rest Ext Narrow RH		1
2	26003008	Adj F/Rest RH C/W 7.5 Alum Footplate		1
3	SP1551628	Heel strap, cpl.		1

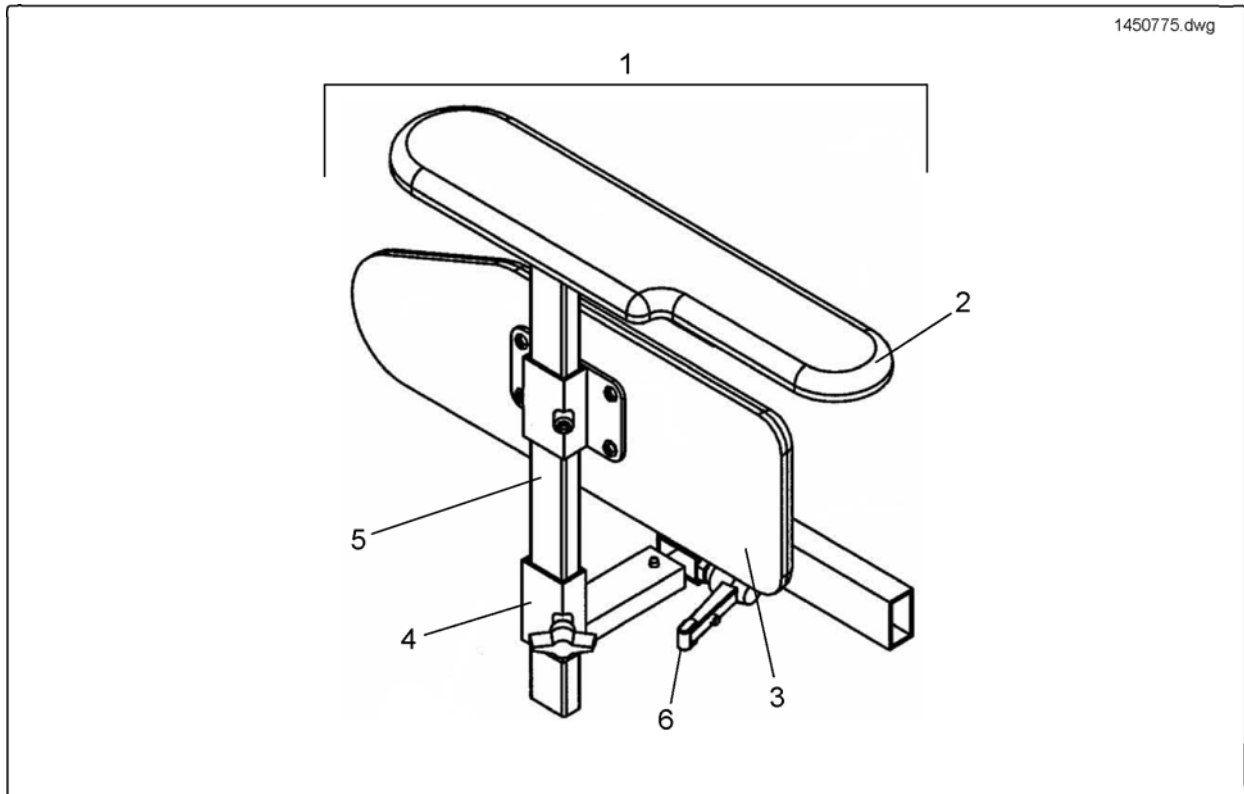
# Armrests Van-Seat

005(E).dwg



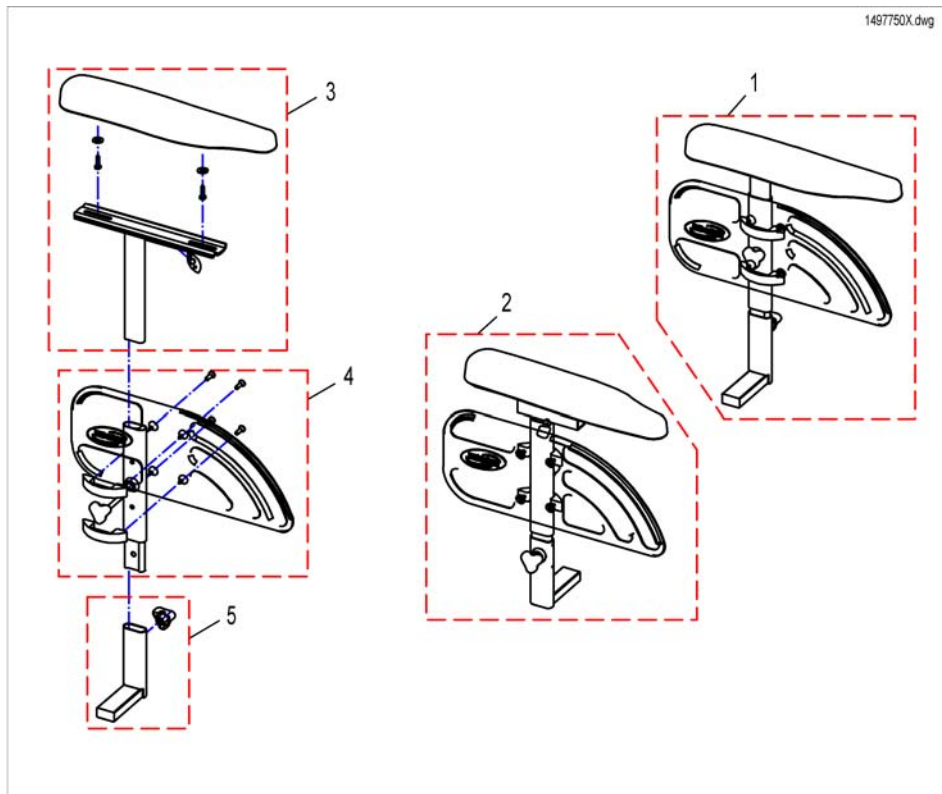
Pos.	Part number	Description	Valid from → until	Qty
-	SP1537469	Bearing (5/8")		1
8	1140426	Upper Arm Assembly - Full Length (Right/Left) <i>Includes items 1-7</i>		1
11	SP1142475	Arm Assembly, Full Length Adj. Height - Left		1
11	SP1142474	Arm Assembly, Full Length Adj. Height - Right		1

## Padded Armrest



Pos.	Part number	Description	Valid from → until	Qty
1	1450775	Plush Armrest Assy RH Complete		1
1	1450776	Plush Armrest Assy LH Complete		1
1	1484077	Dartex Armrest Assy RH Complete		1
1	1484078	Dartex Armrest Assy LH Complete		1
2	1446531-0227	Padded armrest RH, black plush		1
2	1446532-0227	Padded armrest LH, black plush		1
2	1484079-0232	Padded armrest RH, grey dartex		1
2	1484376-0232	Padded armrest LH, grey dartex		1
3	1446533-0227	Padded side panel RH, black plush		1
3	1446534-0227	Padded side panel LH, black plush		1
3	1484377-0232	Padded side panel RH, grey dartex		1
3	1484378-0232	Padded side panel LH, grey dartex		1
4	26003706	Mounting Bracket RH		1
4	26003707	Mounting Bracket LH		1
5	SP23008656-0205	Armrest Support Long RH		1
5	SP23008657-0205	Armrest Support Long LH		1
6	90892410	Clamp Lever M8x15 Male		1

## Armlehne Ergonomic

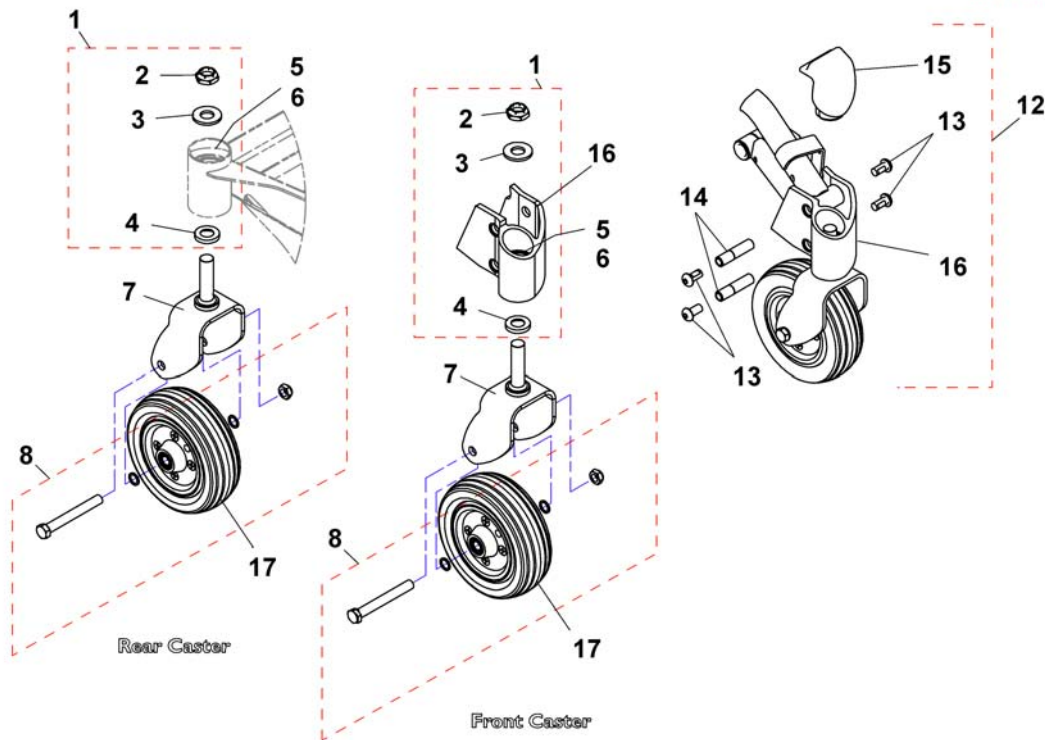


Pos.	Part number	Description	Valid from → until	Qty
3	SP1441608	Armrest holder with Ergonomic Pad LH		1
3	SP1441607	Armrest holder with Ergonomic Pad RH		1
4	SP1436962	Siderest, cpl. - RH		1
4	SP1436963	Siderest, cpl. - LH		1
5	SP1442072	Support Armrest		1



# Tyres & Wheelforks

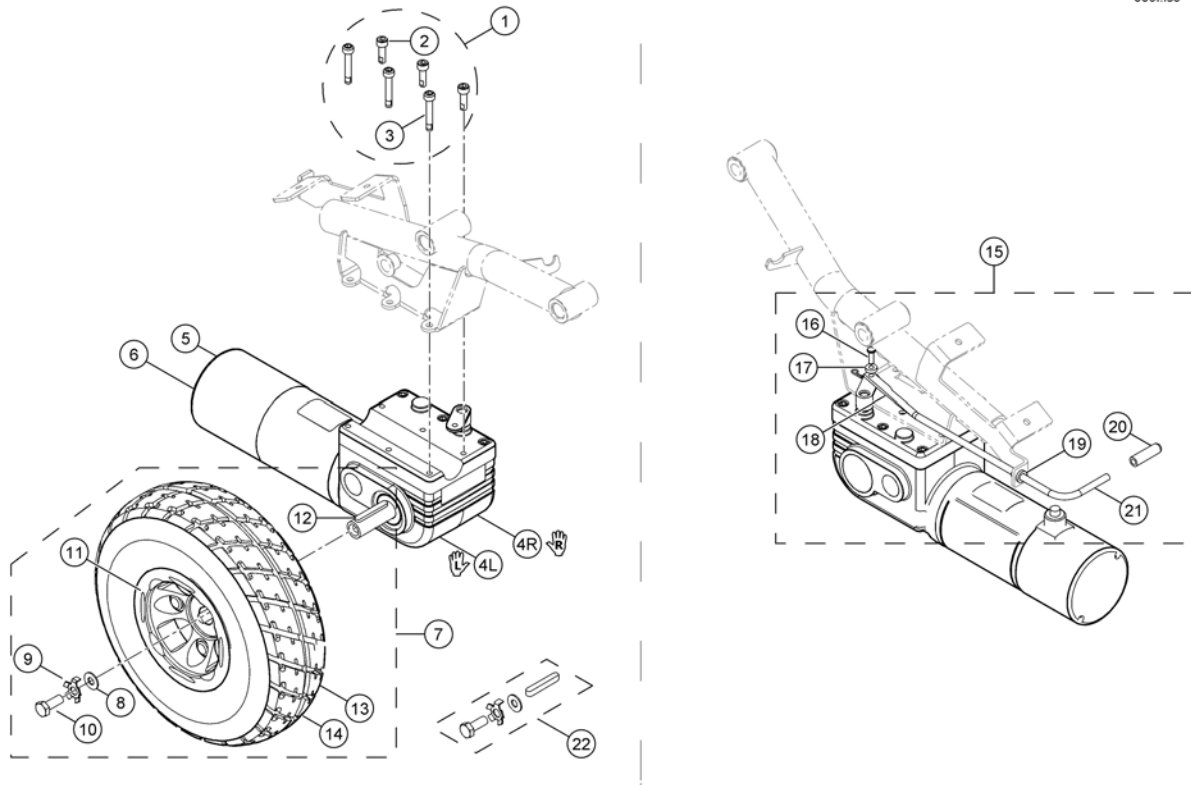
008(H).dwg



Pos.	Part number	Description	Valid from → until	Qty
1	SP1537421	Kit, Fork Mounting Hardware		1
	SP1537405	Locknut (5/8-18)		1
	SP1537409	Washer (5/8 x 1-5/16 x 1/8 )"		1
	SP1537420	Spacer, Stem (5/8 x 1-1/8 x 3/16 )"		1
	SP1537471	Bearing (5/8)"		1
	SP1537432	Ring, Tolerance		1
	SP1537426	Fork and Stem		1
	SP1537431	Kit, Castor Mounting Hardware		1
12	SP1537427	Kit, Caster Headtube with Hardware - Right		1
12	SP1537428	Kit, Caster Headtube with Hardware - Left		1
	SP1537425	Screw, Button Head Cap (3/8-24 x 3/4 )"		1
	SP1537433	Bushing, Pivot Head Tube		1
	SP1537434	Cap, Headtube - Right		1
	SP1537535	Cap, Headtube - Left		1
	SP1537429	Headtube Assembly with Bearings - Right		1
	SP1537430	Headtube Assembly with Bearings - Left		1
	SP1511369	6x2" Wheel with bearings, black hub		1

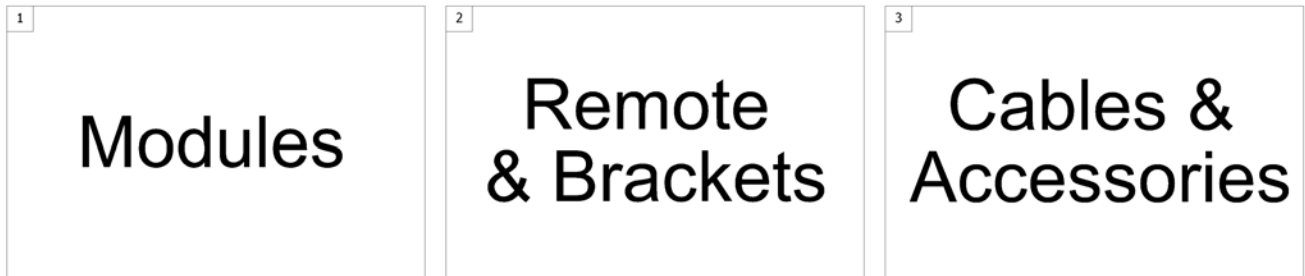
# Motor & Drive Wheel

0091.iso



Pos.	Part number	Description	Valid from → until	Qty
1	SP1537423	Kit, Motor Mounting Hardware		1
4L	SP1541611	Motor with Gearbox Assembly - Left		1
4R	SP1537459	Motor with Gearbox Assembly - Right		1
5	SP1537408	Kit, Motor/Brake Covers with Screws		1
6	SP1537441	Kit, Motor Brush - Internal (Large)		1
7	SP1537418	Kit, Drive Wheel with Mounting Hardware - Pneumatic (10x3") <i>Includes items 8-14</i>		1
13	SP1109028	Tube, Inner (10x3")		1
14	SP1109005	Tire, Pneumatic, Grey (10x3")		1
15	SP1537460	Kit, Motor Release Lever Hardware <i>Includes items 16-21</i>		1
22	SP1575674	Mounting Hardware Drive Wheel Pronto M61		1

1500784.indd



Pos.	Part number	Description	Valid from → until	Qty
1	-	Powermodules		1
2	-	Shark Remote & Brackets		1
3	-	Shark Cables & Accessories		1

# Powermodules

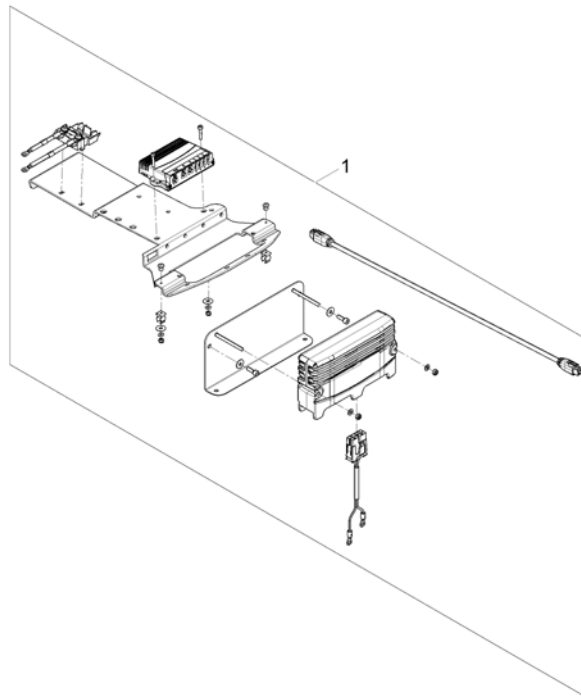
Powermodule.xls

	Shark					ACS						ACS 2				Penny & Giles		
	DK-PMB01	DK-PMB21	DK-PMB28	DK-PMB50	DK-PMC28	DX-PMB-AS	DX-PMB-2	DX-PMB2-SAS	DX-GB-AS	DX-GB-ASG	DX-GB-AS II	DX2-PMA70	DX2-PMA70L	DX2-PMA90L	DX2-PMA90LG	Pilot + Pilot+ 50-xM 50A	VR2 60	VR2 60-A2
Bora / SpectraXTR	2	3	8								12	13	14	15		25	26	27
Dragon	2	3					28											
Dragon Vertic	2	3					29											
FDX											12	13	14	15				
G49								7										
G50								7										
Mirage	2	3													24	25	26	
Mistral	2	3				NLA												
Pronto M61	2	3													24	25	26	27
Spectra Blitz	2	3				NLA									24	25	26	27
Spectra Comfort	2	3				NLA					12	13			24	25	26	27
Spectra Plus	2	3				NLA					12	13			24	25	26	27
Spectra Seat Riser	2	3				NLA									24	25	26	27
Storm <sup>3</sup>	2	3				NLA	30											
Storm <sup>3</sup> GB									9									
Storm <sup>3</sup> Vertic										31								
Storm4														14		15		
Storm4 MAX														14		15		
Stream			8	6	4													
TDX-SP																		
Tiger	2	3					28				12	13						
Topan	2	3					29											
Tornado	2	3					NLA											
Typhoon							NLA											
Typhoon GB									9									
Typhoon II									9									
Zephyr										10								

Pos.	Part number	Description	Valid from → until	Qty
NLA	-	No longer available.		0
-	SP1555702	Gasket kit for ACS2, Powermodule and ACT		1
2	1433332	Powermodule, Shark, 75A, drive only, DK-PMB01		1
3	1448744	Powermodule, Shark, 75A, 2 actuators, DK-PMB21		1
4	1136898	Powermodule, Shark, 90A, 2 actuators, DK-PMC28		1
6	SP1537235	Powermodule, Shark, DK-PMB50		1
7	1451448	Powermodule, ACS, 160A, DX-PMB2-SAS		1
8	SP1577053	Powermodule, Shark, 75A, 2 Actuators & Drive Lockout, DK-PMB28 <i>[0977]</i>		1
9	1430150	Powermodule for GB-motors, ACS, 100A, DX-GB AS		1
10	AT.1496444	Powermodule for GB-motors, ACS, 100A, (only Zephyr), DX-GB-ASG		1
12	SP1528673	Powermodule, ACS2, 70A, DX2-PMA70 <i>Lock washer between module and bracket!</i>		1
13	SP1523433	Powermodule, ACS2, 70A, with light, DX2-PMA70L <i>Lock washer between module and bracket!</i>		1
14	SP1524244	Powermodule, ACS2, 90A, with light, DX2-PMA90L <i>Lock washer between module and bracket!</i>		1
15	SP1537975	Powermodule, ACS2, 90A, for light and G-Trac, DX2-PMA90LG <i>Lock washer between module and bracket!</i>		1
24	30000265	Powermodule, Pilot +, 50A, Pilot+ 50-xM		1
25	SP1504056	Powermodule, VR2, 60A, only drive, VR2 60		1
26	SP1510131	Powermodule, VR2, 60A, 2 actuators, VR2 60-A2		1
27	SP1532445	Powermodule, R-net, 80A, 2 actuators, R-net EL PM90		1
28	-	Upgrade-Kit 80A ACS => ACS2, Dragon / Tiger / Topan		1
29	-	Upgrade-Kit 80A ACS => ACS2, Dragon Vertic		1
30	-	Retrofit-Kit 80A ACS => ACS2		1
31	-	Upgrade-Kit 80A ACS => ACS2, Storm <sup>3</sup> Vertic		1

# Upgrade-Kit 80A ACS => ACS2, Dragon / Tiger / Topan

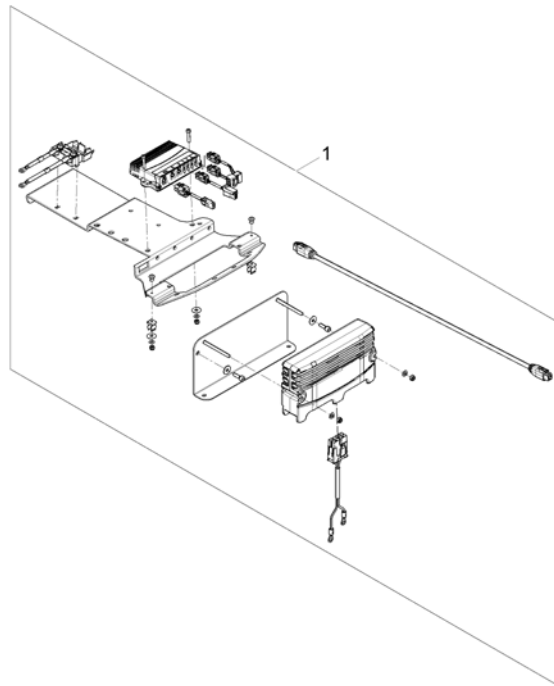
1570293.00



Pos.	Part number	Description	Valid from → until	Qty
1	SP1570293	Upgrade-Kit ACS 80A ==> ACS2 <i>Driver program to be updated. Please contact IVCR Service / Lock wascher between module and bracket!</i>		1

# Upgrade-Kit 80A ACS => ACS2, Dragon Vertic

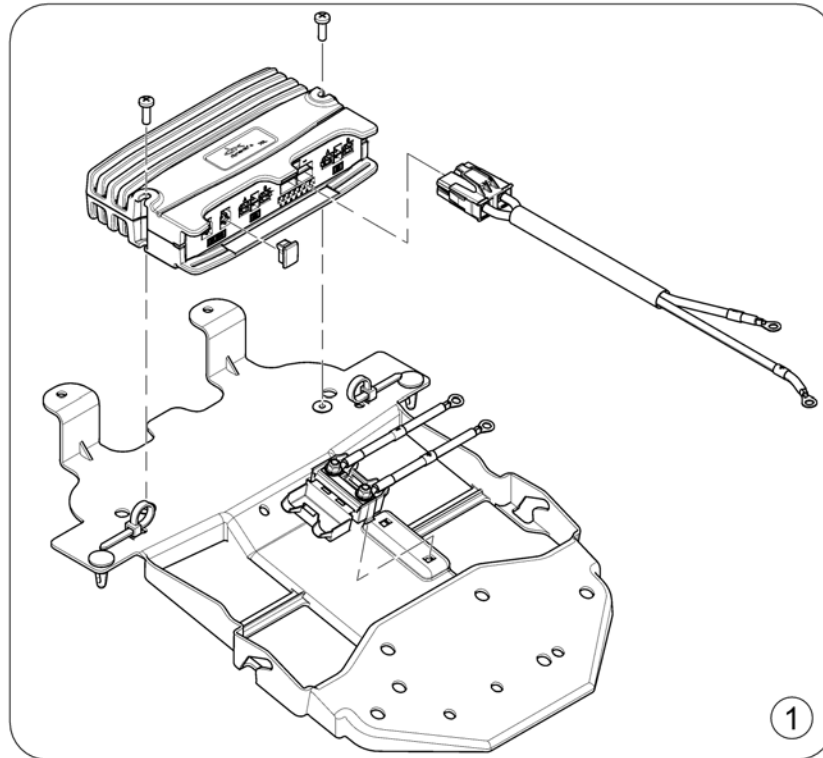
1571619.00



Pos.	Part number	Description	Valid from → until	Qty
1	SP1570367	Upgrade-Kit DragonVertic ACS 80A ==> ACS2 <i>Driver program to be updated. Please contact IVCR service / Lock washer between module and bracket!</i>		1

## Retrofit-Kit 80A ACS => ACS2

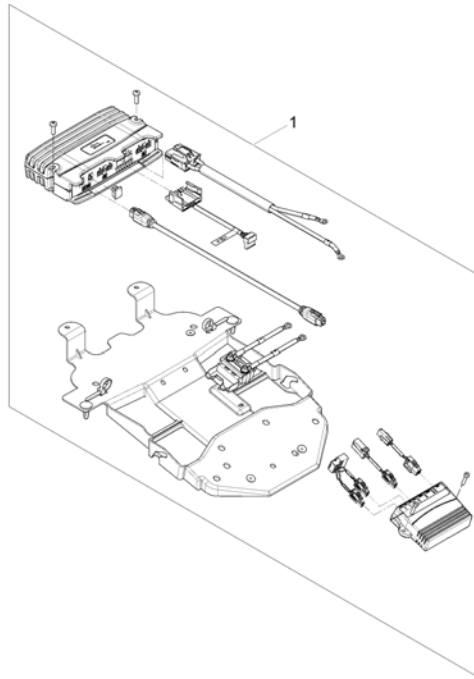
1570376.000



Pos.	Part number	Description	Valid from → until	Qty
1	SP1570290	Retrofit-Kit 80A ACS1 => ACS2 (Storm3) <i>Driver program to be updated. Please contact IVCR Service</i>		1

# Upgrade-Kit 80A ACS => ACS2, Storm<sup>3</sup> Vertic

1570369.00



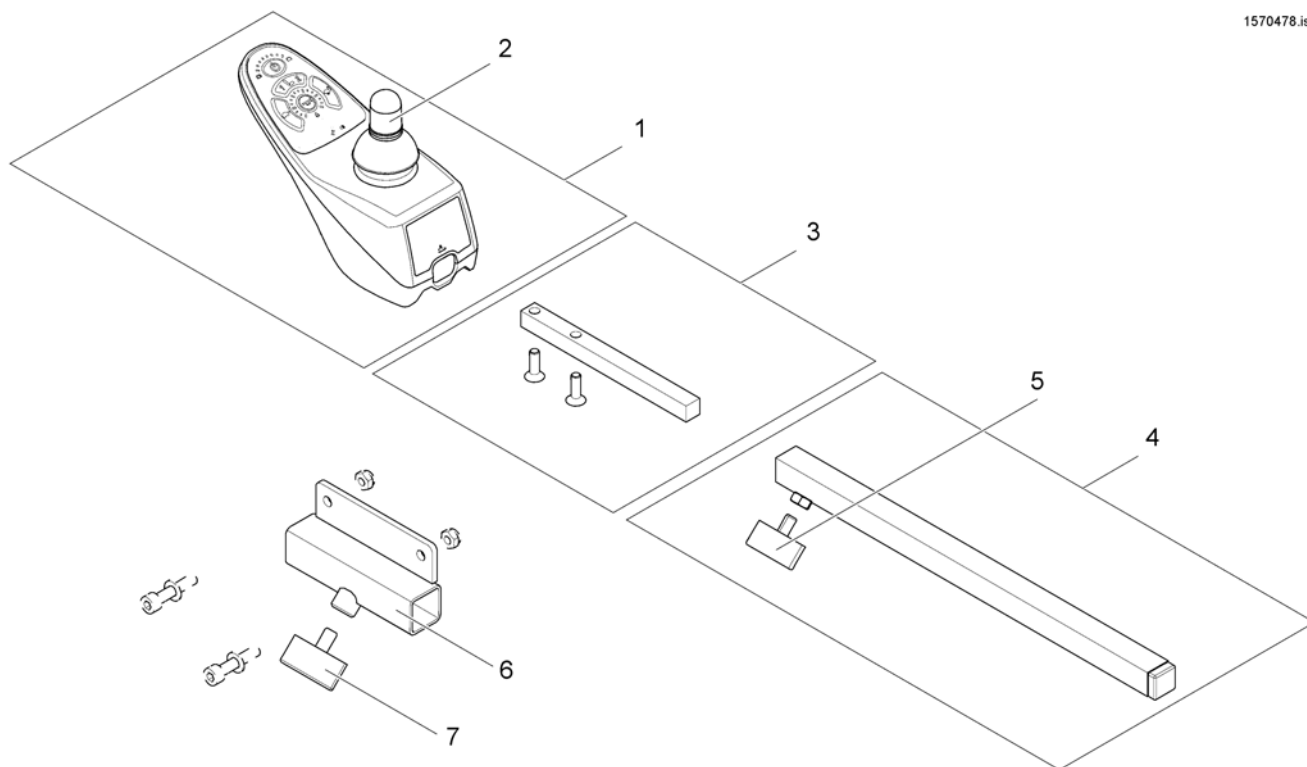
Pos.	Part number	Description	Valid from → until	Qty
1	SP1570369	Upgrade-Kit ACS 80A ==> ACS2, Storm <sup>3</sup> Vertic <i>Driver program to be updated. Please contact IVCR Service</i>		1



Pos.	Part number	Description	Valid from → until	Qty
-		Remote Shark with Bracket Standard <i>[1801+1207/1208]</i>		1
-		Remote Shark with Bracket swing away ==> 31/12/08 <i>[1801+1701/1702]</i>		1
-		Remote Shark with Bracket swing away 01/01/09 ==> <i>[1801+1707/1708]</i>		1
-		Remote Shark with Bracket Standard (Van-Seat)		1
-		Remote Shark with Bracket Swing Away (Van-Seat)		1

# Remote Shark with Bracket Standard

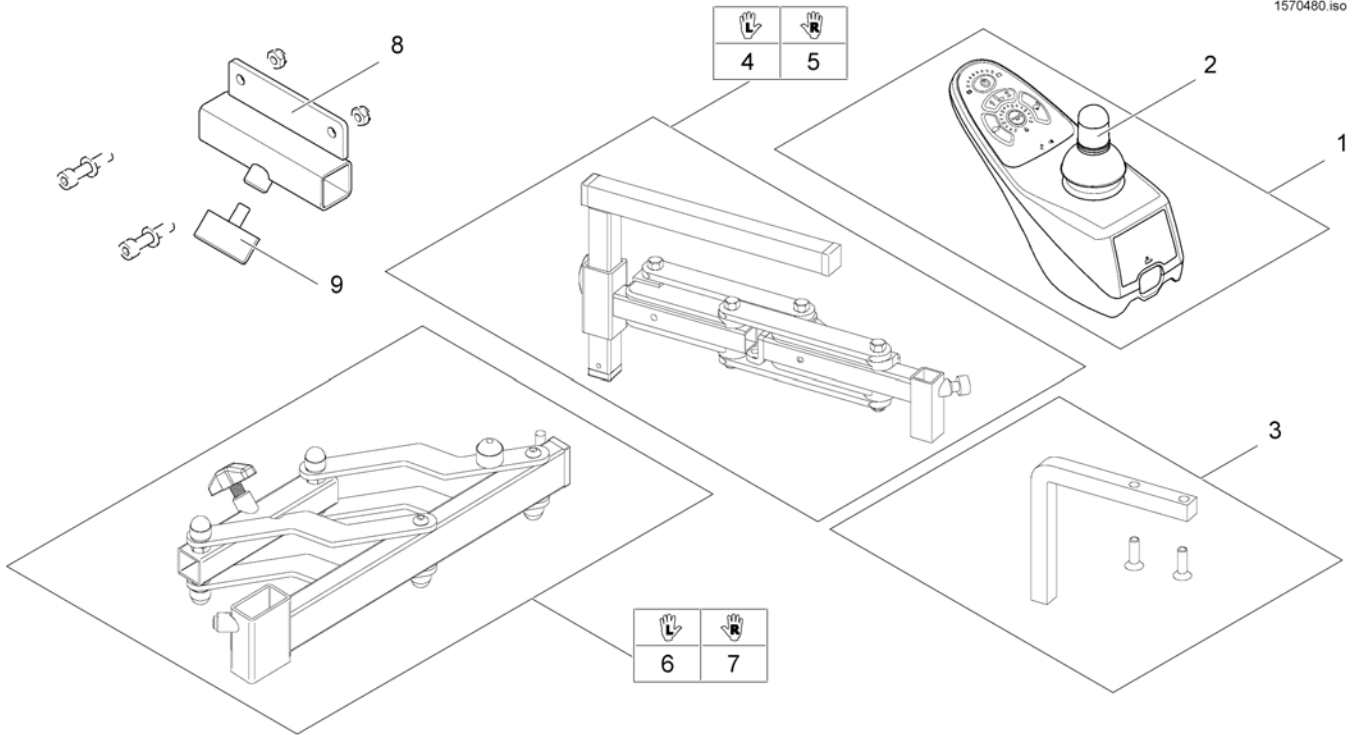
1570478.iso



Pos.	Part number	Description	Valid from → until	Qty
1	1449177	Remote DK-REM D11, Shark2 (Drive & Adjustment)		1
2	P10399	Joystick Knob		1
3	SP1436542	Support, Standard		1
4	SPS183040	Remote Bracket, Standard		1
5	L31001	Wing Scew M6X10		1
6	23008273-0205	Slide Mtg Tube		1
7	256099	Wing Screw M8 X 20 639		1

# Remote Shark with Bracket swing away ==> 31/12/08

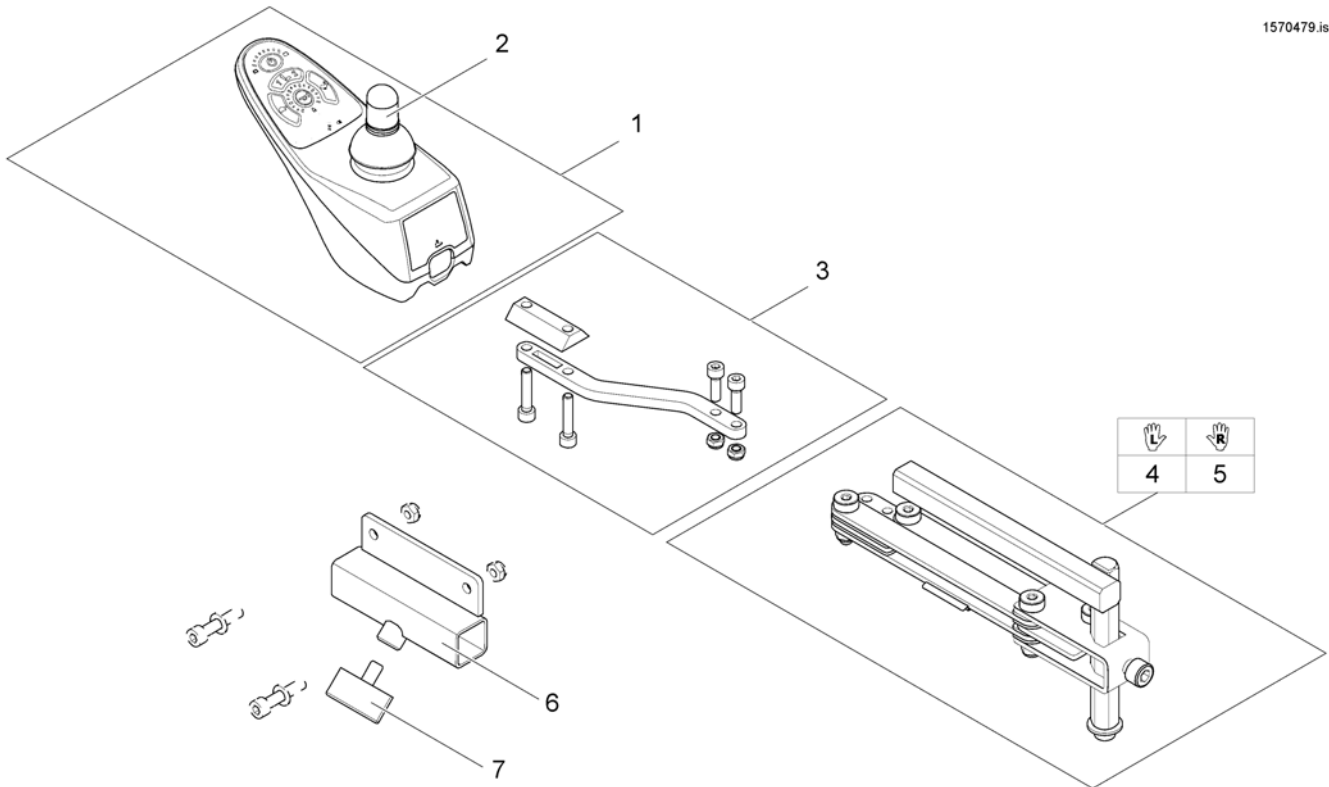
1570480.iso



Pos.	Part number	Description	Valid from → until	Qty
1	1449177	Remote DK-REM D11, Shark2 (Drive & Adjustment)		1
2	P10399	Joystick Knob		1
3	SP1436543	Joystick Box Support Swing Away REM 24SD & Shark, With Screws		1
4	SP1421796	Swing-Out Height-Adjustable Remote Holder LH		1
5	SP1421795	Swing-Out Height-Adjustable Remote Holder RH		1
6	SP1497591	Remote Bracket swing away LH		1
7	SP1497590	Remote Bracket swing away RH		1
8	23008273-0205	Slide Mtg Tube		1
9	256099	Wing Screw M8 X 20 639		1

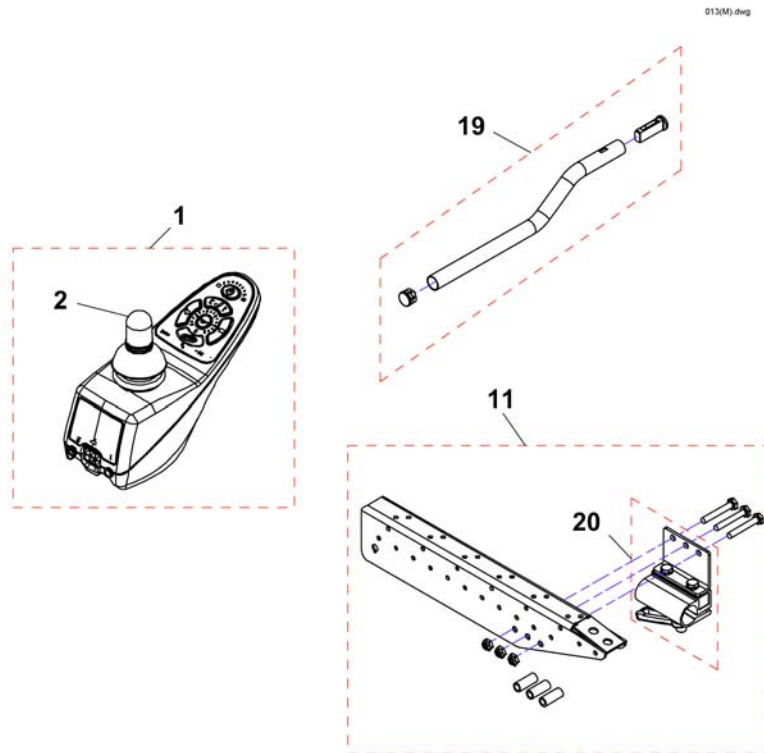
# Remote Shark with Bracket swing away 01/01/09 ==>

1570479.iso



Pos.	Part number	Description	Valid from → until	Qty
1	1449177	Remote DK-REM D11, Shark2 (Drive & Adjustment)		2
2	P10399	Joystick Knob		2
3	SP1536180	Support for Remote Bracket, height adjustable & swing away		1
4	SP1496249	Remote bracket, height adjustable & swing away, LH		1
5	SP1496248	Remote bracket, height adjustable & swing away, RH		2
6	23008273-0205	Slide Mtg Tube		1
7	256099	Wing Screw M8 X 20 639		1

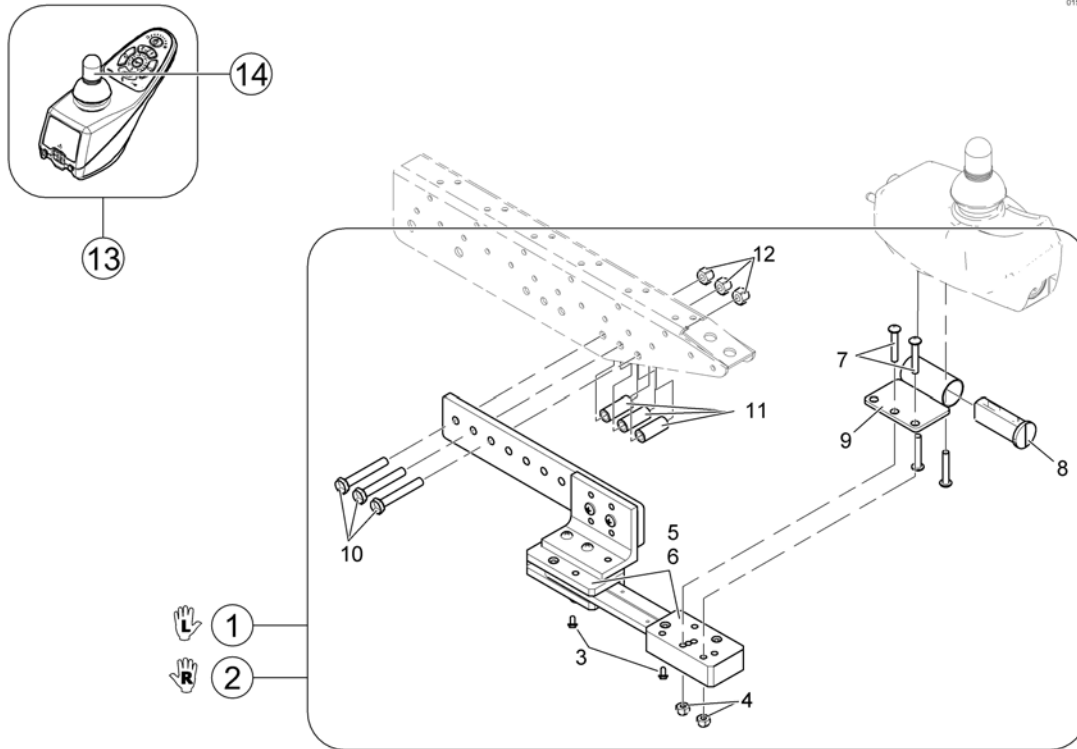
## Remote Shark with Bracket Standard (Van-Seat)



Pos.	Part number	Description	Valid from → until	Qty
1	1449177	Remote DK-REM D11, Shark2 (Drive & Adjustment)		1
2	P10399	Joystick Knob		1
11	SP1537437	kit support tube		1
19	SP1093069	Remote bracket, Captain's Seat		1
20	SP1105049	Support for Remote Bracket, Captain's Seat		1

# Remote Shark with Bracket Swing Away (Van-Seat)

015\_0160



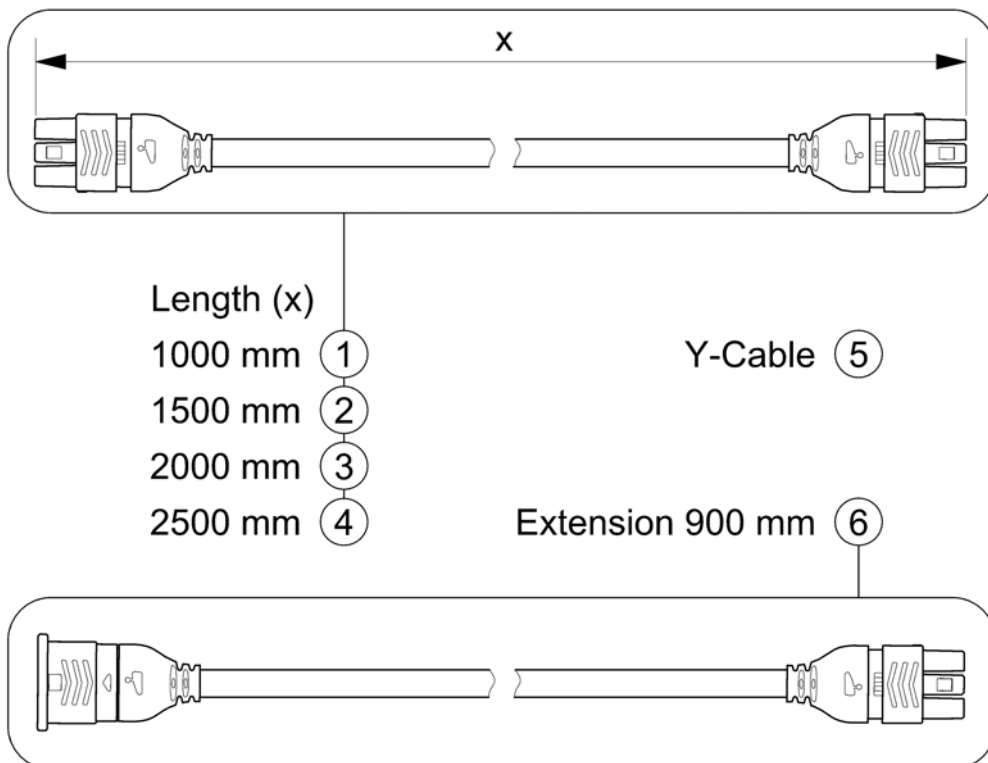
Pos.	Part number	Description	Valid from → until	Qty
1	SP1119216	Kit, Quad link Assembly LH <i>Includes items 3-12</i>		1
2	SP1119215	Kit, Quad link Assembly RH <i>Includes items 3-12</i>		1
13	1449177	Remote DK-REM D11, Shark2 (Drive & Adjustment)		1
14	P10399	Joystick Knob		1

**Shark Cables & Accessories**

<b>Pos.</b>	<b>Part number</b>	<b>Description</b>	<b>Valid from → until</b>	<b>Qty</b>
-		Bus-Cables Shark		0
-		Cables Shark		0
-		Programming Kits		0

# Bus-Cables Shark

SHARKBUSKABEL.00

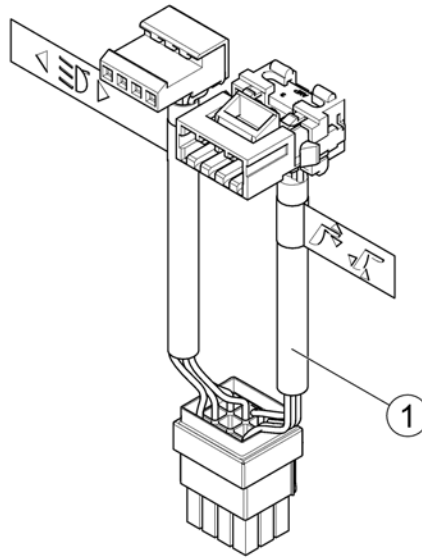


Pos.	Part number	Description	Valid from → until	Qty
1	1448922	Buscable Shark 1000mm		1
2	1450313	Buscable Shark 1500mm		1
3	1484911	Buscable Shark 2000mm		1
4	SP1510073	Buscable Shark 2500mm		1
5	1450314	Y-Cable		1
6	1116404	Extension Cable Shark 900mm		1



# Cables Shark

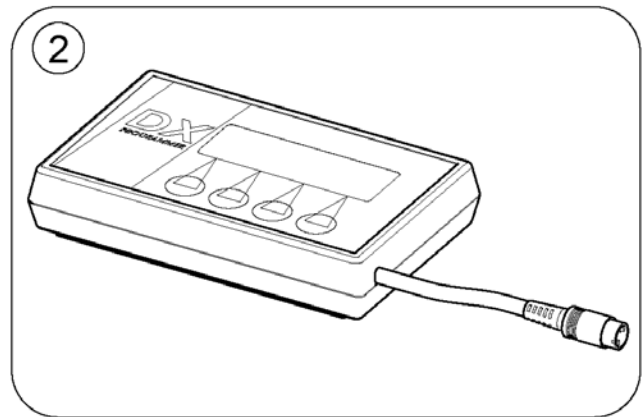
1583705 Rev



Pos.	Part number	Description	Valid from → until	Qty
1	1488951	Wire Harness Shark - electrical adjustments & light		1

# Programming Kits

1584805 iso



Pos.	Part number	Description	Valid from → until	Qty
1	1449280	USW wizard dongle kit, EDL-USW, cpl.		1
2	6001450	Hand Programmer, Instrucions In French, German, Spanish		1
	SP1441551	Programming Adapter Shark DK-ADAPT (necessary to program Shark)		1

# Batteries

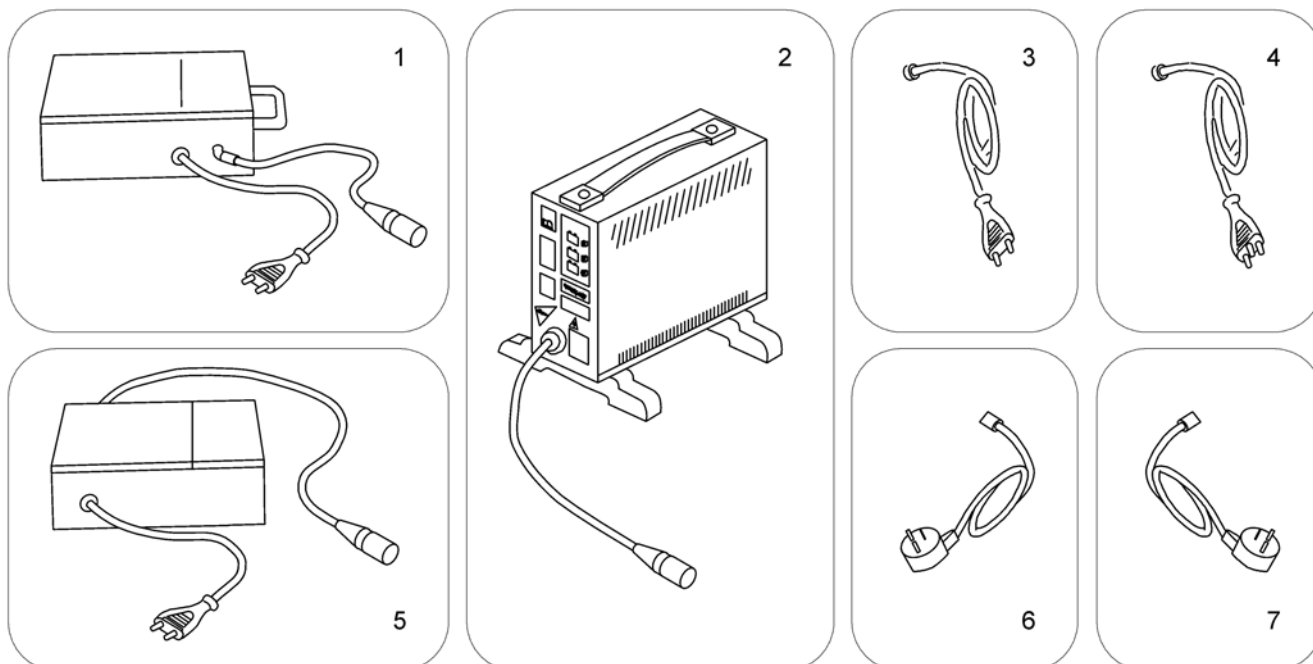
	Capacity [Ah]															
	1,2	12	30	31	32	36	38	40	40	50	50	50,9	60	73,6	75	97,6
Bora/SpectraXTR								8		10						
Dragon										10			13			
Dragon Vertic													13			
FDX													13			
G50													13	14		16
Kite													13	14		
Mirage				4				8								
Mistral3				4									12			
P9000XDT					5											
Pronto M41					5											
Pronto M61					5											
Spectra Blitz								8					12			
Spectra Comfort								7								
Spectra Plus								7								
Spectra Seat Riser								7								
Storm3										10			13	14		
Storm3 True Track	1													14		
Storm3 Vertic														14		
Storm4														14		
Storm4 Max														14		
Stream										10			13			
TDX-SP														14		
TDX-SP Narrow												12				
Tiger										10			13			
Topan													13			
Tornado								8								
Typhoon													13			
Typhoon GB	1												13			
Typhoon GB	1												13			
Zephyr	1												13			
Auriga			3					8		10						
Comet														14	15	
Leo						6			9							
Lynx		2														
Meteor														14		
Orion												11				
length [mm]	97	152	197	196	211	196	210	197	198	198	198	238	259	260	260	329
width [mm]	49	99	132	132	132	130	175	168	165	166	165	140	169	171	168	171
height [mm]	51	102	180	183	183	179	175	175	171	176	170	235	178	210	223	238
weight [kg]	0,6	3,9	11,1	10,5	11	12	14,6	14,4	14,2	14	16	17,1	19,3	24,3	26	32,5



Pos.	Part number	Description	Valid from → until	Qty
i	-	Change batteries only pairwise and from the same type!		1
1	1440386	Battery, 12V/1,2Ah C20, GEL		1
2	SP1506493	Battery 12V/12Ah, lead acid		1
3	P50021	Battery, 12V/30Ah C20, GEL		1
4	P50029	Battery, 12V/31Ah C20, GEL		1
5	SP1521459	Battery, 12V/34Ah C20, AGM		1
6	1505498	Battery, 12V/36Ah C20, AGM		1
7	P50028	Battery, 12V/38Ah C20, GEL (UK & DK only)		1
8	PG50988	Battery, 12V/40Ah C20, GEL		1
9	SP1550692	Battery, 12V/40Ah C20, AGM		1
10	SP1522107	Battery, 12V/50Ah C20, AGM		1
11	SP1521695	Battery, 12V/50Ah C20 AGM		1
12	PG50989	Battery, 12V/50,9Ah C20, GEL		1
13	1432944	Battery, 12V/60Ah C20, GEL		1
14	P50016	Battery, 12V/73,6 Ah C20, Gel		1
15	SP1522026	Battery, 12V/75Ah C20, AGM		1
16	1478675	Battery, 12V/97,6Ah C20, GEL		1

# Chargers

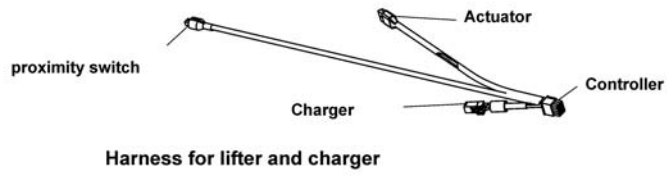
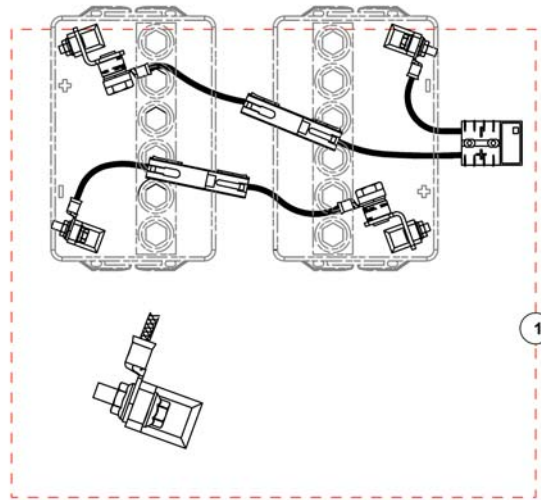
SP51981.iso



Pos.	Part number	Description	Valid from → until	Qty
1	5813987	Charger 8A, Gi Popular (Sweden only)		1
2	SPP51981	Charger 8A for Batteries up to 73Ah (without power cord)		1
3	P21079	Power Cord, Continental Shockproof Plug		1
4	1443841	Power Cord, Swiss		1
5	1510201	Charger 10A, Powercharge Classic (G50), for Batteries from 97AH (with power cord)		1
5	SP1545511	Charger 10A, LADAC, incl. power cord continental shockproof		1
6	P21080	Power Cord, UK		1
7	SP1553849	Power Cord, Israel		1

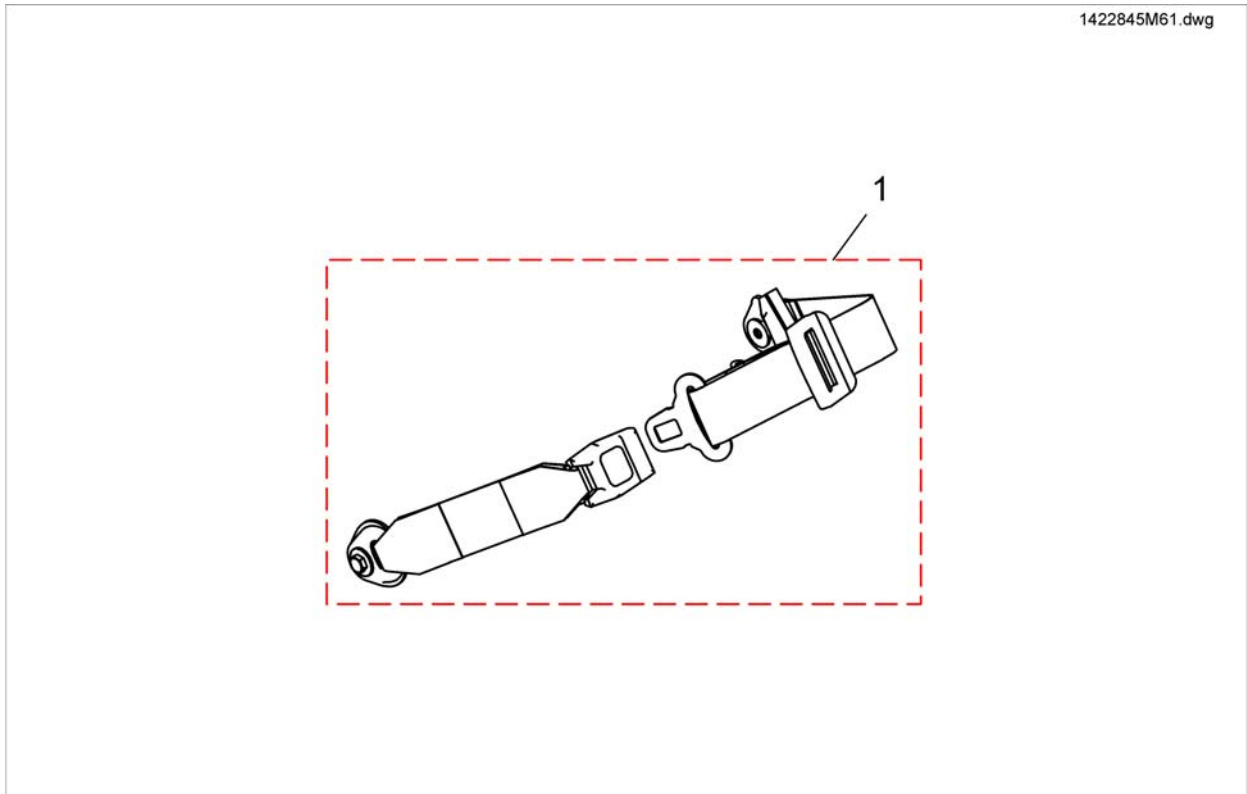
# Cable

010,(J).dwg



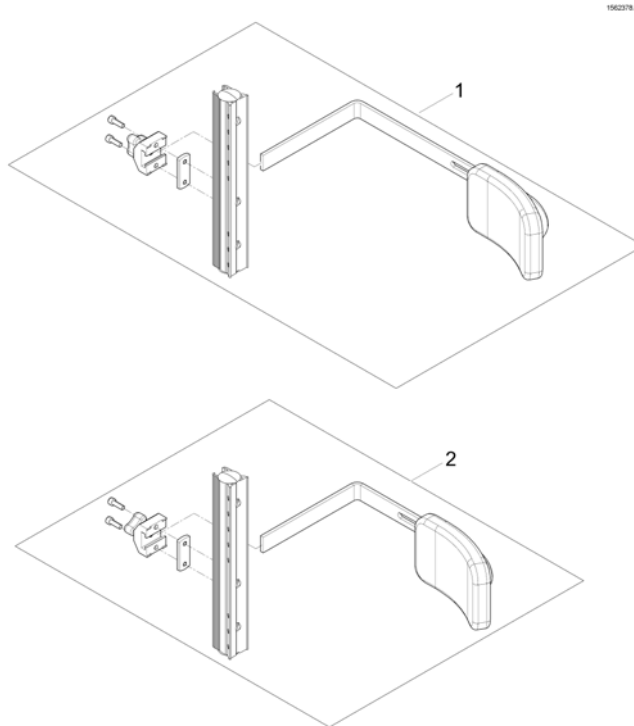
Pos.	Part number	Description	Valid from → until	Qty
1	SP1534971	Kit, Battery Harnesses with Terminal Hardware		1

# Lap Belt



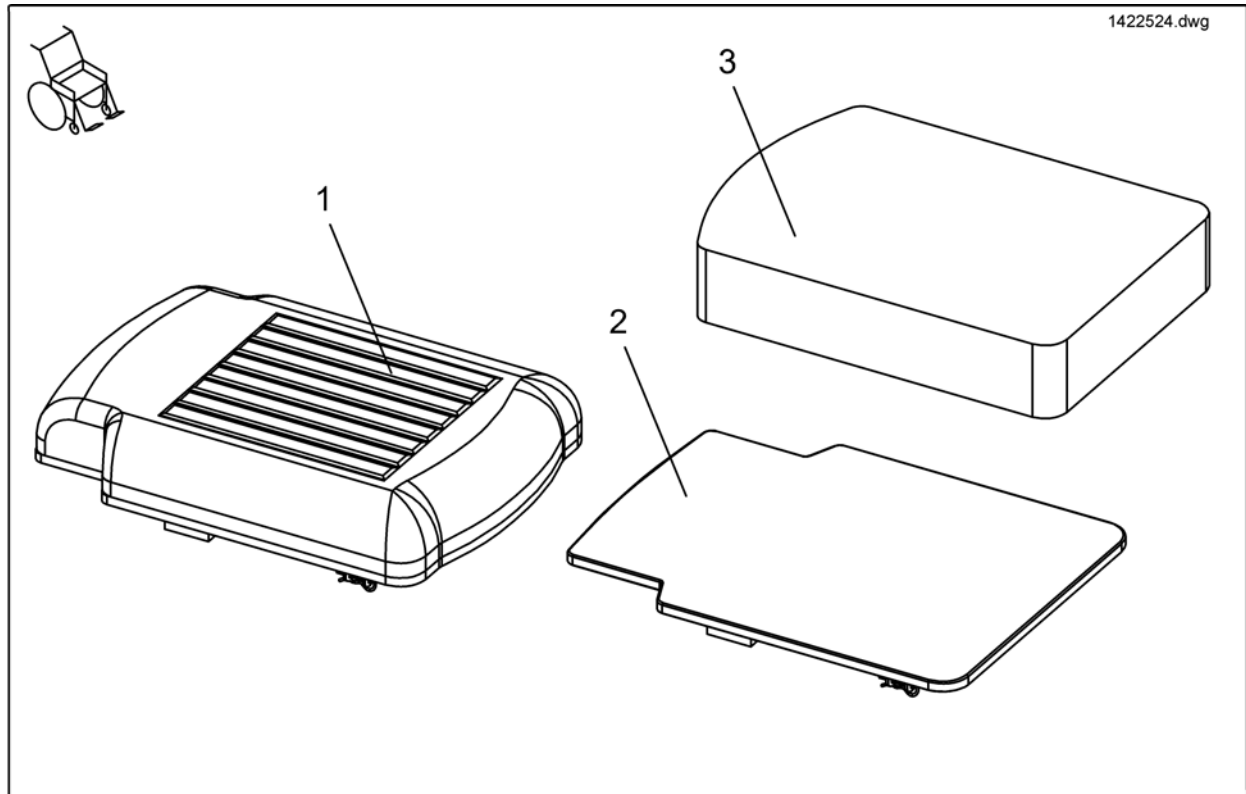
Pos.	Part number	Description	Valid from → until	Qty
1	1422845	Lap Belt, cpl.		1

## Trunk support Firm seat



Pos.	Part number	Description	Valid from → until	Qty
1	SP1561819	Trunk support, long, cpl.		1
2	SP1561818	Trunk support, short, cpl.		1

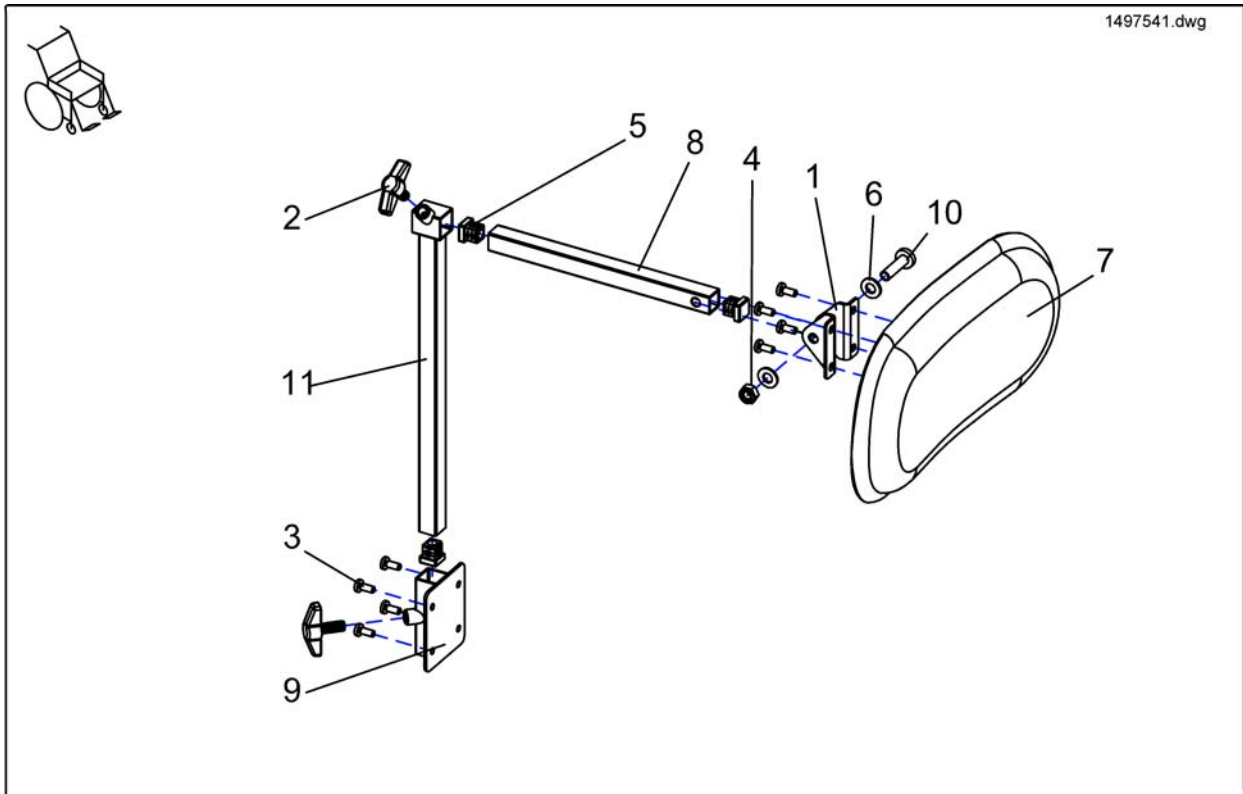
## Seat Cushions



Pos.	Part number	Description	Valid from → until	Qty
2	SP1497474	Seat Board SW 33, Black Bird		1
2	SP1497475	Seat Board SW 38, Black Bird		1
2	SP1497476	Seat Board SW 43, Black Bird		1
1	SP1497477	Padded Seat SW 33, Black Jemima		1
1	SP1497478	Padded Seat SW 38, Black Jemima		1
1	SP1497479	Padded Seat SW 43, Black Jemima		1
3	SP1497483	Seat cushion Laguna SW38cm black plush		1
3	SP1497484	Seat cushion SW43cm black plush		1
3	SP1497485	Seat cushion Laguna SW38cm dartex		1
3	SP1497486	Seat cushion Laguna SW43cm dartex		1
3	SP1497500	Seat cushion Flo Tech Lite SW 33cm		1
3	SP1497501	Seat cushion Flo Tech Lite SW 38cm		1
3	SP1497539	Seat cushion Flo Tech Lite SW 43cm		1

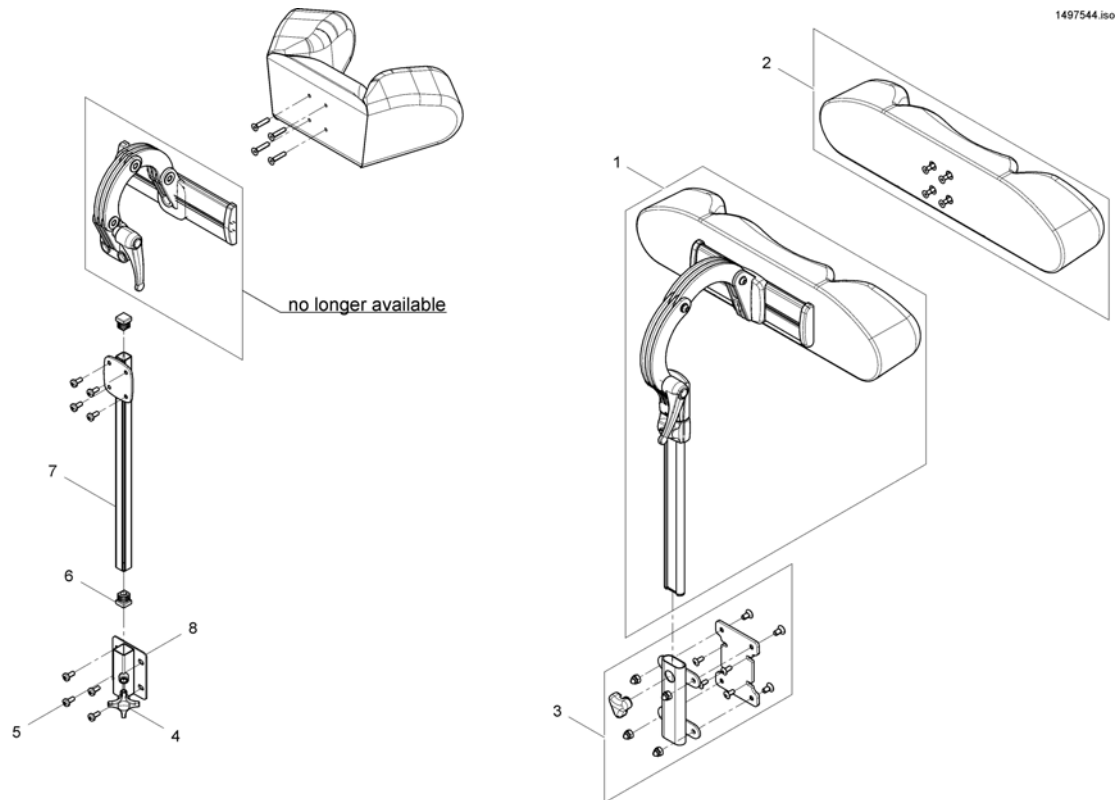


# Headrest



Pos.	Part number	Description	Valid from → until	Qty
1-11	SP1497541	Headrest Curve 1, Jemima, cpl.		1
1-11	1450781	No description available.		1
2	256099	Wing Screw M8 X 20 639		1

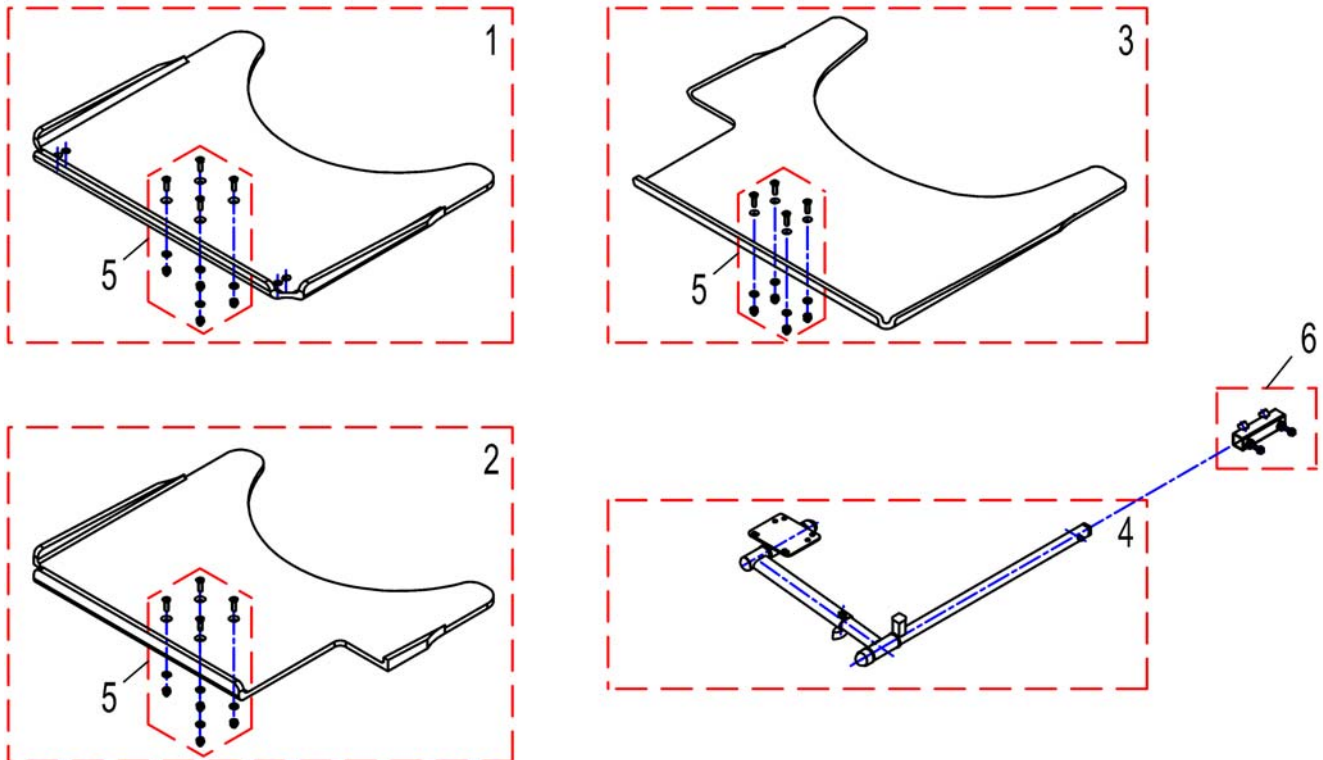
# Headrest sidewise adjustable



Pos.	Part number	Description	Valid from → until	Qty
1	SP1530119	Headrest, sidewise adjustable, cpl. - Dartex TR26		1
2	SP1422865	Headrest cushion contour black, without bracket		1
2	1422866	HEADREST PAD STD./CONTOUR GREY		1
2	SP1522214	HEADREST PAD STD./CONTOUR BLACK PLUSH		1
3	SP1544680	MOUNTING-KIT		1
4	256099	Wing Screw M8 X 20 639		1
5	D30197	Lens head screw DIN7985-M05x12-4.8 zc		1
6	L01055	Plug 15x15mm		1
7	1451639-0205	Headrest REA Angle Adjustment		1
8	26002351	Tube Headrest		1

# Tray Assembly

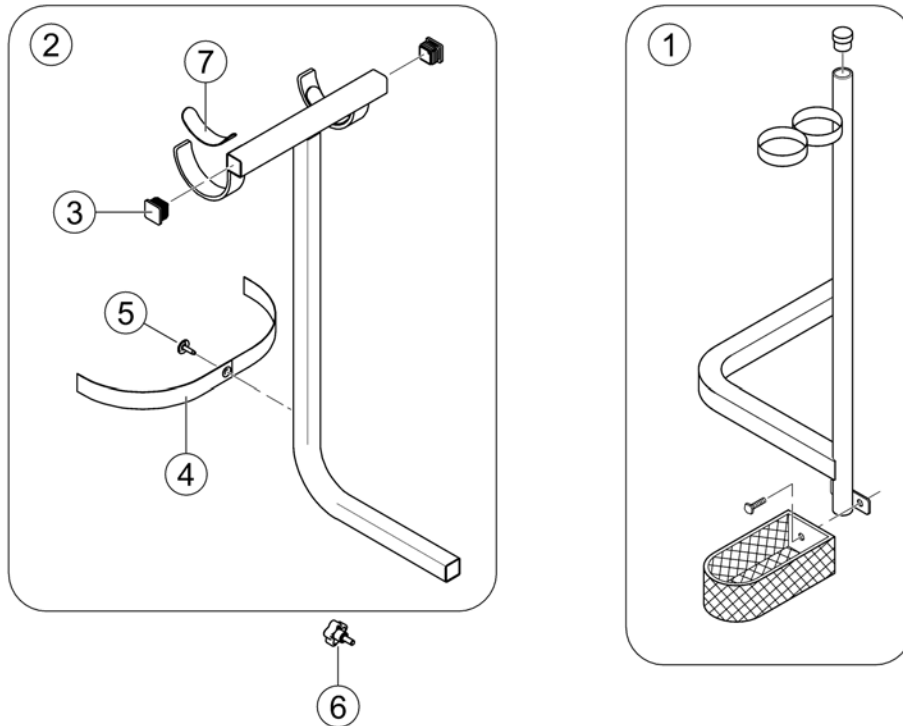
1446706X.dwg



Pos.	Part number	Description	Valid from → until	Qty
1	SP1541710	Tray Table, 480mm, without Cutout		1
1	SP1535050	Tray table, 540mm, no Cutout		1
1	SP1535010	Tray table, 620mm, no Cutout		1
1	SP1535011	Tray table, 660mm, no Cutout		1
2	SP1541711	Tray Table, 480mm, Cutout left		1
2	SP1535009	Tray table, 540mm, Cutout LH		1
2	SP1534974	Tray table, 620mm, Cutout LH		1
2	SP1534975	Tray table, 660mm, Cutout LH		1
3	SP1541712	Tray Table, 480mm, Cutout right		1
3	SP1535051	Tray table, 540mm, Cutout RH		1
3	SP1535012	Tray table, 620mm, Cutout RH		1
3	SP1535049	Tray table, 660mm, Cutout RH		1
4	SPZ177011	Tray Support Fixing Kit cpl.SW 380/505 mm		1
5	Z177025	Fastening-Kit Tray		1
6	SP1534364	Adapertube		1

## Crutch/ Cane Holder

016P.300



Pos.	Part number	Description	Valid from → until	Qty
1	SP1528274	Crutchholder, cpl.		1
2	-	No longer available - please refer to Replacement Info for which part is to be used instead. <i>P725 obsolete - SP1528274</i>		0
3	SP1537410	Plug Button, Square (1-1/8 x 1-1/8 )"		2
4	SP1537406	Strap		1
5	SP1537413	Screw with Washer (#10 x 7/8 )"		1
6	SP1537436	Knob, Adjustment (5/16-18 x 1-1/2 )"		1
7	SP1537412	Pad, Non-Skid Adhesive Back		2
-	1488745	Imperial Allen Key Set		1





Yes, you can.®



---

**Belgium & Luxemburg:**

Invacare nv, Autobaan 22, B-8210 Loppem  
Tel: (32) (0)50 83 10 10, Fax: (32) (0)50 83 10 11  
belgium@invacare.com / www.invacare.be

**Denmark:**

Invacare A/S, Sdr. Ringvej 37, DK-2605 Brøndby  
Tel: (45) (0)36 90 00 00, Fax: (45) (0)36 90 00 01  
denmark@invacare.com / www.invacare.dk

**Deutschland:**

Invacare Aquatec GmbH, Alemannenstraße 10, D-88316 Isny  
Tel: (49) (0)75 62 7 00 0, Fax: (49) (0)75 62 7 00 66  
info@invacare-aquatec.com / www.invacare-aquatec.de

**European Distributor Organisation:**

Invacare, Kleiststraße 49, D-32457 Porta Westfalica  
Tel: (49) (0)57 31 754 540, Fax: (49) (0)57 31 754 541  
edo@invacare.com / www.invacare.eu.com

**España:**

Invacare SA, c/Areny s/n, Polígon Industrial de Celrà, E-17460 Celrà (Girona)  
Tel: (34) (0)972 49 32 00, Fax: (34) (0)972 49 32 20  
contactsp@invacare.com / www.invacare.es

**France:**

Invacare Poirier SAS, Route de St Roch, F-37230 Fondettes  
Tel: (33) (0)2 47 62 64 66, Fax: (33) (0)2 47 42 12 24  
contactfr@invacare.com / www.invacare.fr

**Ireland:**

Invacare Ireland Ltd, Unit 5 Seatown Business Campus, Seatown Road, Swords, County Dublin - Ireland  
Tel: (353) 1 810 7084, Fax: (353) 1 810 7085  
ireland@invacare.com / www.invacare.ie

**Italia:**

Invacare Mecc San s.r.l., Via dei Pini 62, I-36016 Thiene (VI)  
Tel: (39) 0445 38 00 59, Fax: (39) 0445 38 00 34  
italia@invacare.com / www.invacare.it

**Nederland:**

Invacare BV, Celsiusstraat 46, NL-6716 BZ Ede  
Tel: (31) (0)318 695 757, Fax: (31) (0)318 695 758  
nederland@invacare.com, csede@invacare.com / www.invacare.nl

**Norge:**

Invacare AS, Grensesvingen 9, Postboks 6230, Etterstad, N-0603 Oslo  
Tel: (47) (0)22 57 95 00, Fax: (47) (0)22 57 95 01  
norway@invacare.com, island@invacare.com / www.invacare.no

**Österreich:**

Invacare Austria GmbH, Herzog Odilostrasse 101, A-5310 Mondsee  
Tel: (43) 6232 5535 0, Fax: (43) 6232 5535 4  
info-austria@invacare.com / www.invacare.at

**Portugal:**

Invacare Lda, Rua Estrada Velha, 949, P-4465-784 Leça do Balio  
Tel: (351) (0)225 1059 46/47, Fax: (351) (0)225 1057 39  
portugal@invacare.com / www.invacare.pt

**Sverige & Suomi:**

Invacare AB, Fagerstagatan 9, S-163 91 Spånga  
Tel: (46) (0)8 761 70 90, Fax: (46) (0)8 761 81 08  
sweden@invacare.com, finland@invacare.com / www.invacare.se

**Switzerland:**

Invacare AG, Benkenstrasse 260, CH-4108 Witterswil  
Tel: (41) (0)61 487 70 80, Fax: (41) (0)61 487 70 81  
switzerland@invacare.com / www.invacare.ch

**United Kingdom:**

Invacare Limited, Pencoed Technology Park, Pencoed, Bridgend CF35 5AQ  
Switchboard Tel: (44) (0)1656 776200, Fax: (44) (0)1656 776201  
Customer services Tel: (44) (0)1656 776222, Fax: (44) (0)1656 776220  
uk@invacare.com / www.invacare.co.uk