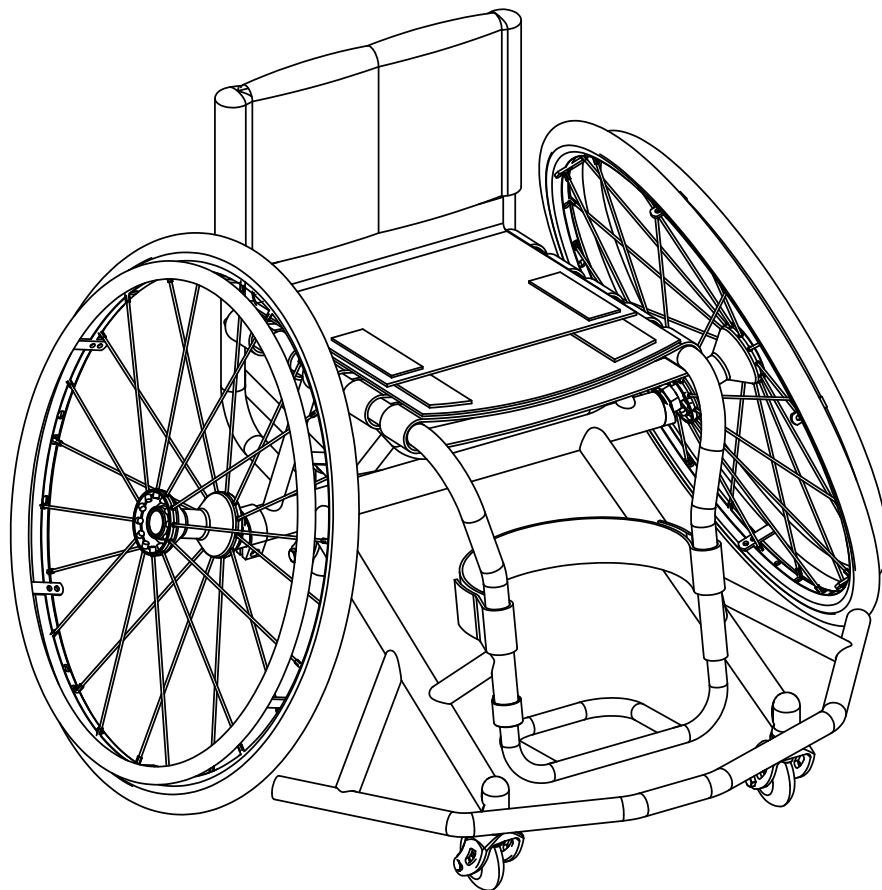


Sports and Recreation Products
4501 63rd Circle North
Pinellas Park, FL 33781
(800) 532-8677 (727) 522-8677
Fax: (727)522-1007

Invacare Top End Parts Catalog

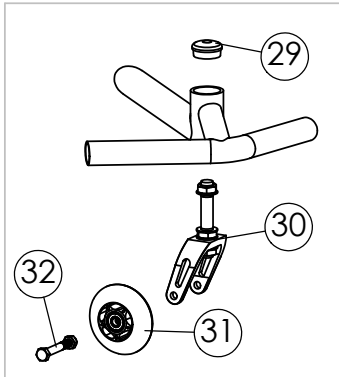
Paul Schulte Aluminum BB Paul Schulte Titanium BB



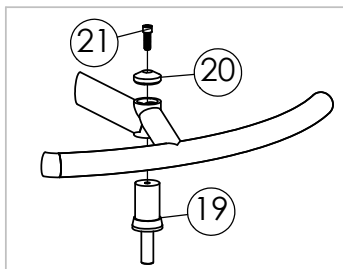
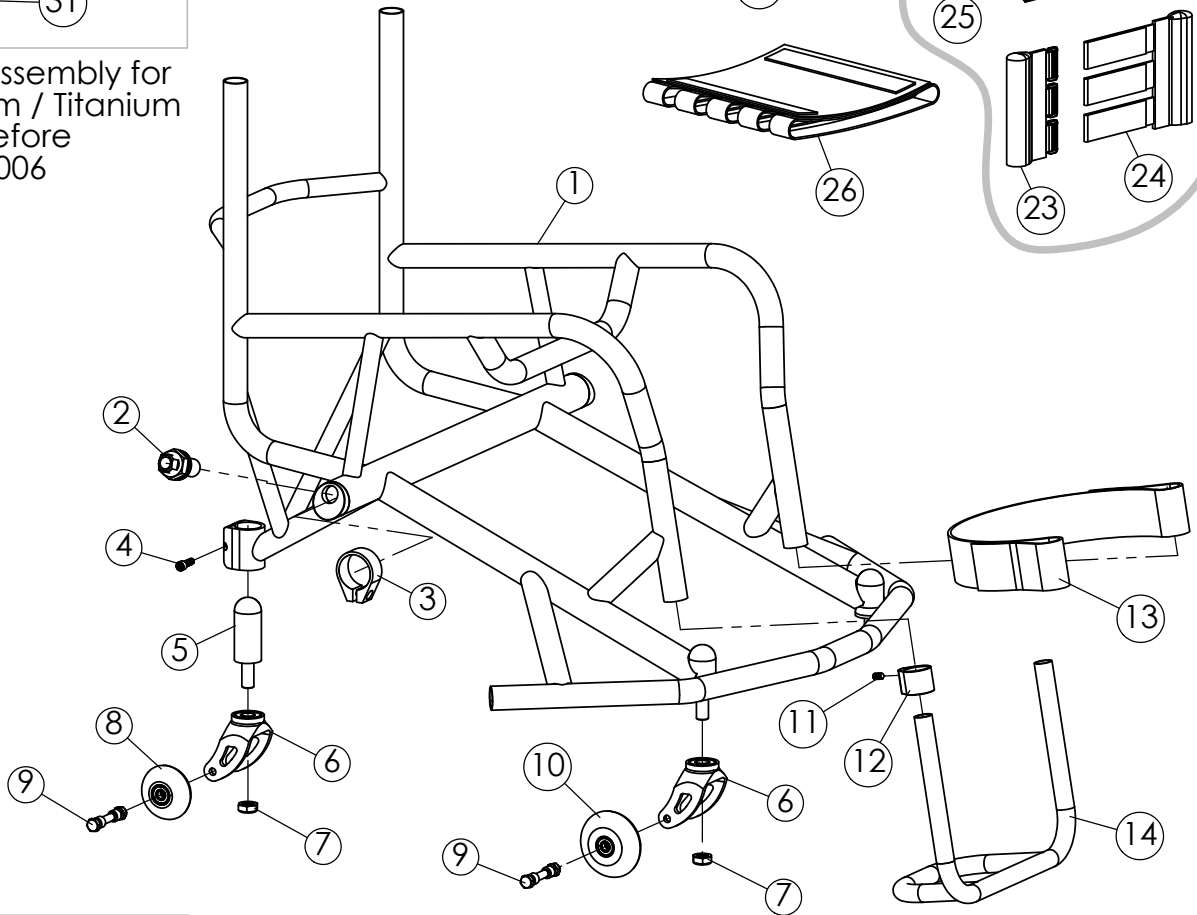
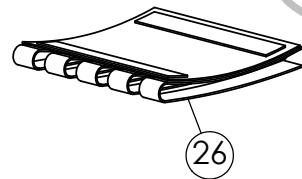
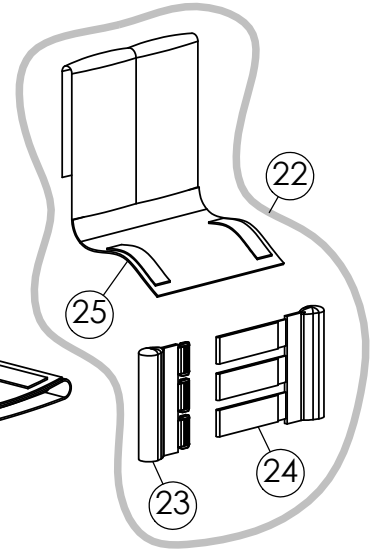
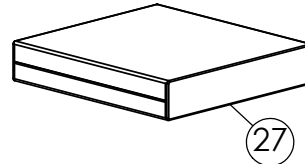
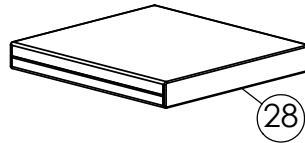


Sports and Recreation Products
 4501 63rd Circle North
 Pinellas Park, FL 33781
 (800) 532-8677 (727) 522-8677
 Fax: (727) 522-1007

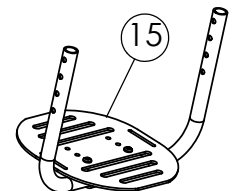
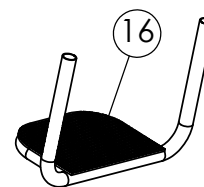
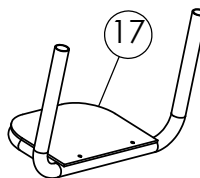
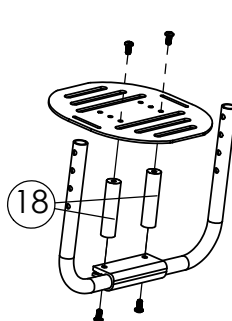
Parts Order Diagram PSSA / PSST Frame / Parts



Caster Assembly for
 Aluminum / Titanium
 frame before
 Dec 1, 2006



Caster Assembly
 for Titanium Frame
 after Dec 1, 2006





Sports and Recreation Products
 4501 63rd Circle North
 Pinellas Park, FL 33781
 (800) 532-8677 (727) 522-8677
 Fax: (727)522-1007

Parts Order Diagram

PSSA / PSST

Frame / Parts

Date: _____ P.O./Customer#: _____ Ship to Customer Provider Part Tracking#: _____
(TOP END Use Only)

| | |
|--------------------------|-----------------------|
| Provider _____ | Acct# _____ |
| Address _____ | Suite _____ |
| City _____ | State _____ Zip _____ |
| Work Phone (_____) _____ | Fax _____ |
| Cell Phone (_____) _____ | |
| E-mail _____ | |

| |
|----------------------------------|
| Customer _____ |
| Address _____ Apt. _____ |
| City _____ State _____ Zip _____ |
| Home Phone (_____) _____ |
| Cell Phone (_____) _____ |
| E-mail _____ |

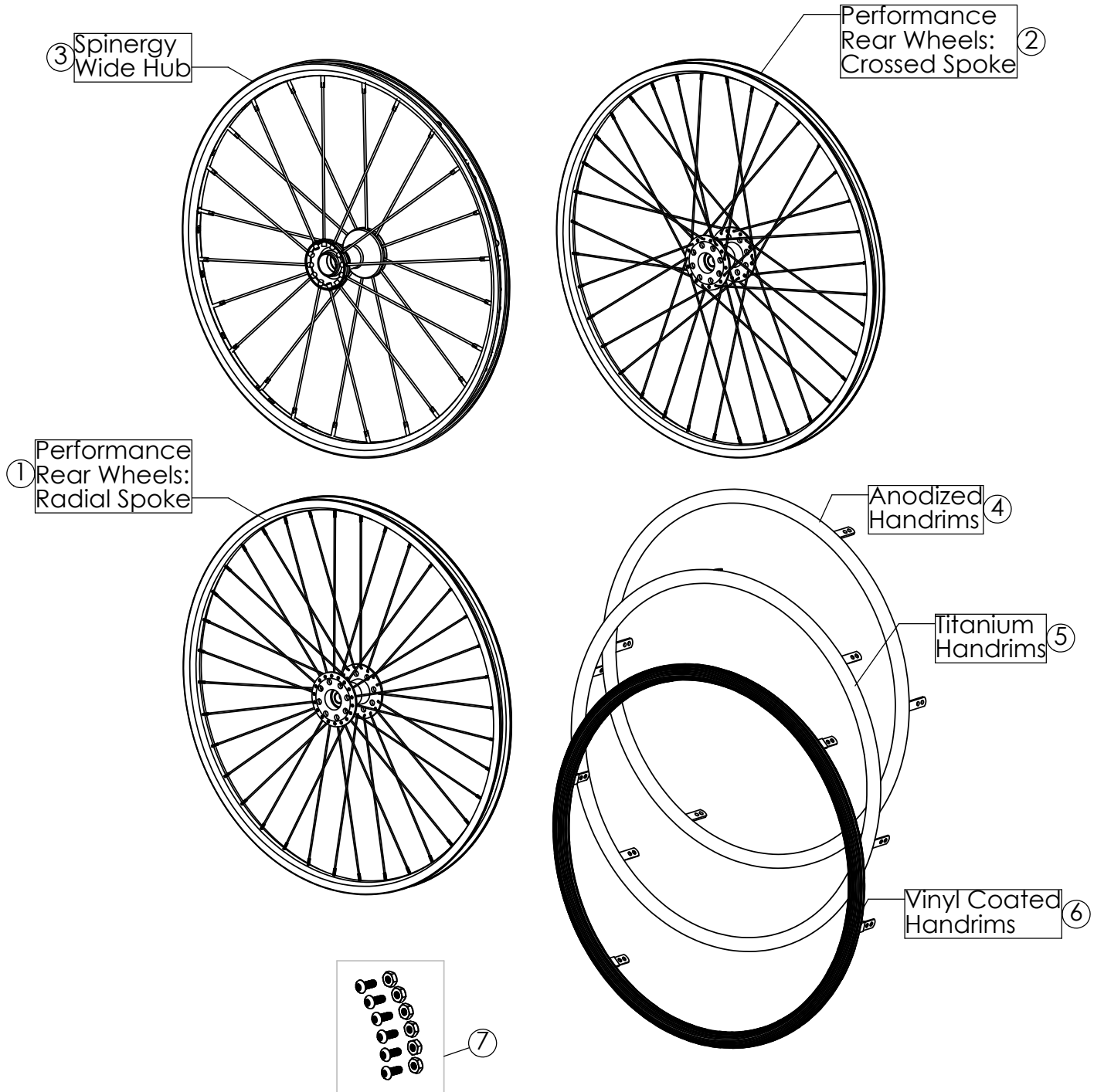
| ITEM NO. | PART NUMBER | QTY PER CHAIR | DESCRIPTION | ORDER QTY. |
|----------|-------------|---------------|--|------------|
| 1 | 1139791 | 1 | Frame: Aluminum, specifications required - see new chair order form | |
| | 1139793 | 1 | Frame: Titanium, specifications required - see new chair order form | |
| | 1139790 | 1 | Before Dec 2006, Frame: Aluminum, specifications required - see new chair order form | |
| | 1139792 | 1 | Before Dec 2006, Frame: Titanium, specifications required - see new chair order form | |
| 2 | 1145947 | 2 | Axle Receiver, Lock Washer, Washer, Nut Assembly (Sport) | |
| 3 | 1116530 | 1 | Camber Clamp, Extruded | |
| 4 | 1073283 | 1 | Screw, 1/4-28 x 3/4 SHCS | |
| 5 | 1139782 | 1 | Anti-tip Adjustable Height Headtube (includes fork stem) | |
| 6 | 1145935 | 2 | 3" Fork Assembly (includes fork and two bearings) | |
| 7 | 1025737 | 2 | Locknut 1/2"-20 | |
| 8 | 1145939 | 1 | Anti-tip Caster w/ Composite Hub (Bearings Included) | |
| 9 | 1139775 | 2 | Caster Mounting Hardware Kit | |
| 10 | 1139783 | 2 | 3" Caster w/ Composite Hub (Bearings Included) | |
| 11 | 1139747 | 2 | Set Screw, Stainless 1/4"-20 x 1/2" Long | |
| 12 | 1111949 | 2 | Clamp, Footrest for 3/4" Tubular Footrest (each) | |
| 13 | 1054268 | 1 | Leg / Calf Strap (specify footrest width) | |
| 14 | 1143278 | 1 | 1 Piece Tubular Footrest, Aluminum (specify footrest width) | |
| 15 | 1145905 | 1 | Adjustable Angle One Piece Footplate (specify footrest width) | |
| 16 | 1145907 | 1 | 1 Piece Tubular Footrest, Aluminum w/ Carbon Fiber Cover (specify footrest width) | |
| 17 | 1145906 | 1 | 1 Piece Tubular Footrest, Aluminum w/ Plastic Cover (specify footrest width) | |
| 18 | 1116577 | 1 | Adaptive Footplate Spacer Kit (spacers & screws), (circle one) 2" 4" 6" | |
| 19 | 1145894 | 2 | Bushing Assembly, Head Tube | |
| 20 | 1061203 | 2 | Cap, Head Tube | |
| 21 | 1073283 | 2 | Screw, 1/4-28 x 3/4 SHCS | |
| 22 | 1145891 | 1 | Adjustable Back Upholstery (specify back height, seat width) | |
| 23 | 1127961 | 1 | RH Back (Adjustor) (specify back height, seat width) | |
| 24 | 1127962 | 1 | LH Back (Anchor) (specify back height, seat width) | |
| 25 | 1127960 | 1 | Back Center (specify back height, seat width) | |
| 26 | 1127963 | 1 | Seat Upholstery, Adjustable Tension (specify seat width, seat depth) | |
| 27 | 1054272 | 1 | Soft Cushion (circle one) 2" 3" 4" , also specify seat width, seat depth | |
| 28 | 1060130 | 1 | Hard Cushion (circle one) 2" 3" 4" , also specify seat width, seat depth | |
| 29 | 1116007 | 2 | Cap, Head Tube, Before Dec 1, 2006 | |
| 30 | 1054254 | 3 | 3" Fork Assembly (includes fork, stem, and locknuts), Before Dec 1, 2006 | |
| 31 | 1065288 | 2 | 3" Caster w/ composite hub (bearings included) | |
| 32 | 1061195 | 2 | Caster mounting hardware kit | |

Seat Width _____ Seat Depth _____ Back Height _____ Wheel Size _____ Camber _____ Footrest Width _____



Sports and Recreation Products
4501 63rd Circle North
Pinellas Park, FL 33781
(800) 532-8677 (727) 522-8677
Fax: (727) 522-1007

Parts Order Diagram PSSA / PSST Rear Wheels





Sports and Recreation Products
 4501 63rd Circle North
 Pinellas Park, FL 33781
 (800) 532-8677 (727) 522-8677
 Fax: (727)522-1007

Parts Order Diagram PSSA / PSST Rear Wheels

Date: _____ P.O./Customer#: _____ Ship to Customer Provider Part Tracking#: _____
(TOP END Use Only)

| | |
|--------------------------|-----------------------|
| Provider _____ | Acct# _____ |
| Address _____ | Suite _____ |
| City _____ | State _____ Zip _____ |
| Work Phone (_____) _____ | Fax _____ |
| Cell Phone (_____) _____ | |
| E-mail _____ | |

| |
|----------------------------------|
| Customer _____ |
| Address _____ Apt. _____ |
| City _____ State _____ Zip _____ |
| Home Phone (_____) _____ |
| Cell Phone (_____) _____ |
| E-mail _____ |

| ITEM NO. | PART NUMBER | QTY PER CHAIR | DESCRIPTION | ORDER QTY. |
|----------|-------------|---------------|--|------------|
| - | - | - | WHEELS | |
| 1 | 1054053 | 2 | 22" (501) Performance Rear Wheel: Radial | |
| 1 | 1054054 | 2 | 24" (540) Performance Rear Wheel: Radial | |
| 2 | 1060134 | 2 | 24" (540) Performance Rear Wheel: Crossed | |
| 3 | 1060202 | 2 | 24" (540) Spinerger Sport Wide Hub (Yellow or Black) | |
| 1 | 1054055 | 2 | 25" (559) Performance Rear Wheel: Radial | |
| 2 | 1060135 | 2 | 25" (559) Performance Rear Wheel: Crossed | |
| 3 | 1060892 | 2 | 25" (559) Spinerger Sport Wide Hub (Yellow or Black) | |
| 1 | 1054056 | 2 | 26" (590) Performance Rear Wheel: Radial | |
| 2 | 1060136 | 2 | 26" (590) Performance Rear Wheel: Crossed | |
| 3 | 1059424 | 2 | 26" (590) Spinerger Sport Wide Hub (Yellow or Black) | |
| 1 | 1139780 | 2 | 27" (700c) Performance Rear Wheel: indicate Radial or Crossed Spokes | |
| 3 | 1116517 | 2 | 27" (700c) Spinerger Sport Wide Hub (Yellow or Black) | |
| | 1054030 | 4 | Bearing, Rear Wheel 1-1/8" OD, 1/2" ID, 1/4" Width | |
| - | - | - | HANDRIMS | |
| 4 | 1054082 | 2 | 22" Anodized Handrim | |
| 6 | 1063567 | 2 | 22" Vinyl Coated Handrim - Black | |
| 4 | 1054083 | 2 | 24" Anodized Handrim | |
| 6 | 1054084 | 2 | 24" Vinyl Coated Handrim - Black | |
| 5 | 1060873 | 2 | 24" Titanium Handrim | |
| 4 | 1054085 | 2 | 25" Anodized Handrim | |
| 6 | 1054086 | 2 | 25" Vinyl Coated Handrim - Black | |
| 5 | 1060874 | 2 | 25" Titanium Handrim | |
| 4 | 1054087 | 2 | 26" Anodized Handrim | |
| 6 | 1054088 | 2 | 26" Vinyl Coated Handrim - Black | |
| 5 | 1060875 | 2 | 26" Titanium Handrim | |
| 4 | 1054089 | 2 | 27" (700c) Anodized Handrim | |
| 7 | 1145898 | 2 | Handrim Hardware Kit (6) 10-32 x 1/2" Screws, (6) 10-32 Locknuts | |
| - | - | - | TIRES AND TUBES | |
| | 1054070 | 2 | 22" (501) Primo V Track High Pressure Clincher Tire | |
| | 1061214 | 2 | 22" (501) Tube (Presta Valve) | |
| | 1054064 | 2 | 24" (540) Primo V Track High Pressure Clincher tire | |
| | 1127915 | 2 | 24" (540) Kenda Sport Tire, Clincher, Red | |
| | 1127918 | 2 | 24" (540) Kenda Sport Tire, Clincher, Yellow | |
| | 1060154 | 2 | 24" (540) Tube (Presta Valve) | |
| | 1054067 | 2 | 25" (559) Primo V Track High Pressure Clincher tire | |
| | 1127916 | 2 | 25" (559) Kenda Sport Tire, Clincher, Red | |
| | 1127919 | 2 | 25" (559) Kenda Sport Tire, Clincher, Yellow | |
| | 1060155 | 2 | 25" (559) Tube (Presta Valve) | |
| | 1054066 | 2 | 26" (25-590) Primo High Pressure Clincher Tire | |
| | 1127917 | 2 | 26" (590) Kenda Sport Tire, Clincher, Red | |
| | 1127920 | 2 | 26" (590) Kenda Sport Tire, Clincher, Yellow | |
| | 1054074 | 2 | 26" (590) Tube (Presta Valve) | |
| | 1060115 | 2 | 27" (700c) Primo High Pressure Clincher Tire | |
| | 1054075 | 2 | 27" (700c) Tube (Presta Valve) | |
| | 1061213 | 2 | Rim Strip (circle one) 22", 24", 25", 26", and 700C | |



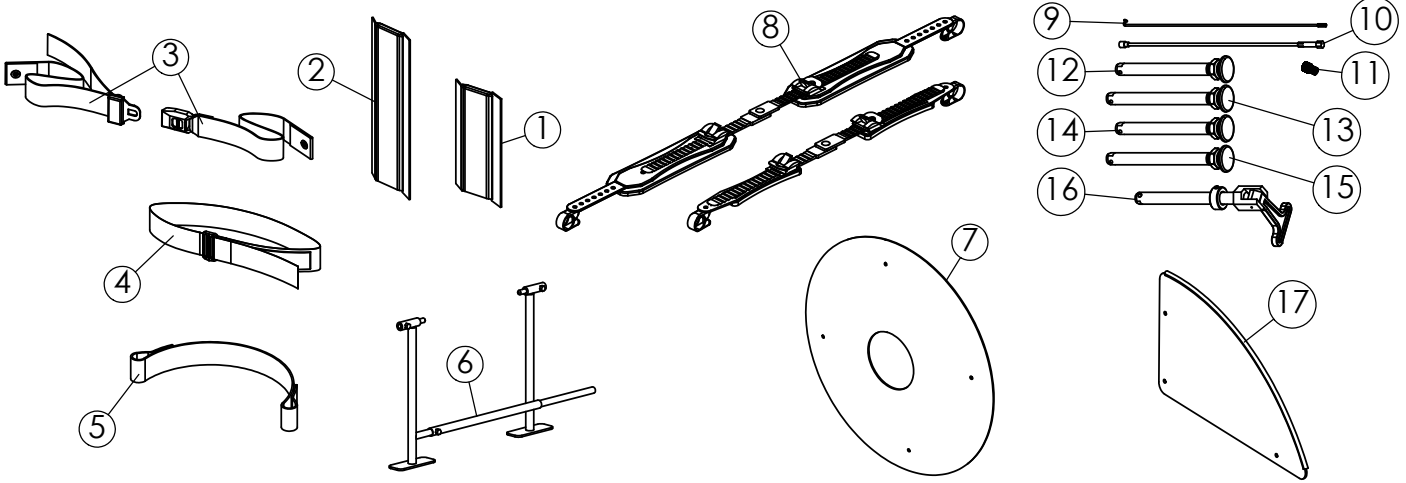
Sports and Recreation Products
 4501 63rd Circle North
 Pinellas Park, FL 33781
 (800) 532-8677 (727) 522-8677
 Fax: (727) 522-1007

Parts Order Diagram PSSA / PSST Accessories

Date: _____ P.O./Customer#: _____ Ship to Customer Provider Part Tracking#: _____
(TOP END Use Only)

| | |
|--------------------------|-----------------------|
| Provider _____ | Acct# _____ |
| Address _____ | Suite _____ |
| City _____ | State _____ Zip _____ |
| Work Phone (_____) _____ | Fax _____ |
| Cell Phone (_____) _____ | |
| E-mail _____ | |

| |
|----------------------------------|
| Customer _____ |
| Address _____ Apt. _____ |
| City _____ State _____ Zip _____ |
| Home Phone (_____) _____ |
| Cell Phone (_____) _____ |
| E-mail _____ |



| ITEM NO. | PART NUMBER | QTY PER CHAIR | DESCRIPTION | ORDER QTY |
|----------|-------------|---------------|--|-----------|
| 1 | 1143295 | 1 | Rear Back Bar Frame Protector | |
| 2 | 1145900 | 1 | Front Frame Vertical Protectors (pair) | |
| 3 | 1004310 | 1 | Seat Positioning Strap, Auto Style Buckle | |
| 4 | 1109772 | 1 | Positioning strap, Velcro hook & loop style | |
| 5 | 1054268 | 1 | Leg / Calf Strap (specify footrest width) | |
| 6 | 1109717 | - | Alignment Gauge | |
| 7 | 1054079 | 2 | 24" Spoke Guard, specify clear or black | |
| | 1060699 | 2 | 25" Spoke Guard, specify clear or black | |
| | 1054081 | 2 | 26" Spoke Guard, specify clear or black | |
| 8 | 1145923 | 1 | Click Straps (pair) | |
| 9 | 1059514 | - | Metal Spoke w/ Nipple (indicate model, crossed/radial, and wheel size) | |
| 10 | 1060803 | - | Spinergy Spoke (specs. required) | |
| 11 | 1061215 | - | Presta Valve Adaptor | |
| 12 | 1065303 | 2 | Axle, Quick Release, Standard | |
| 13 | 1060140 | 2 | Axle, Quick Release, Standard, for Wide Hub | |
| 14 | 1060842 | 2 | Axle, Quick Release, Titanium | |
| 15 | 1060843 | 2 | Axle, Quick Release, Titanium, for Wide Hub | |
| 16 | 1043487 | 2 | Axle, Quad Release, Standard | |
| 17 | 1059414 | 1 | Fixed Side Guard, Aluminum (RH & LH, Outline Required) | |
| | 1139771 | 1 | Fixed Side Guard, Carbon Fiber (RH & LH, Outline Required) | |