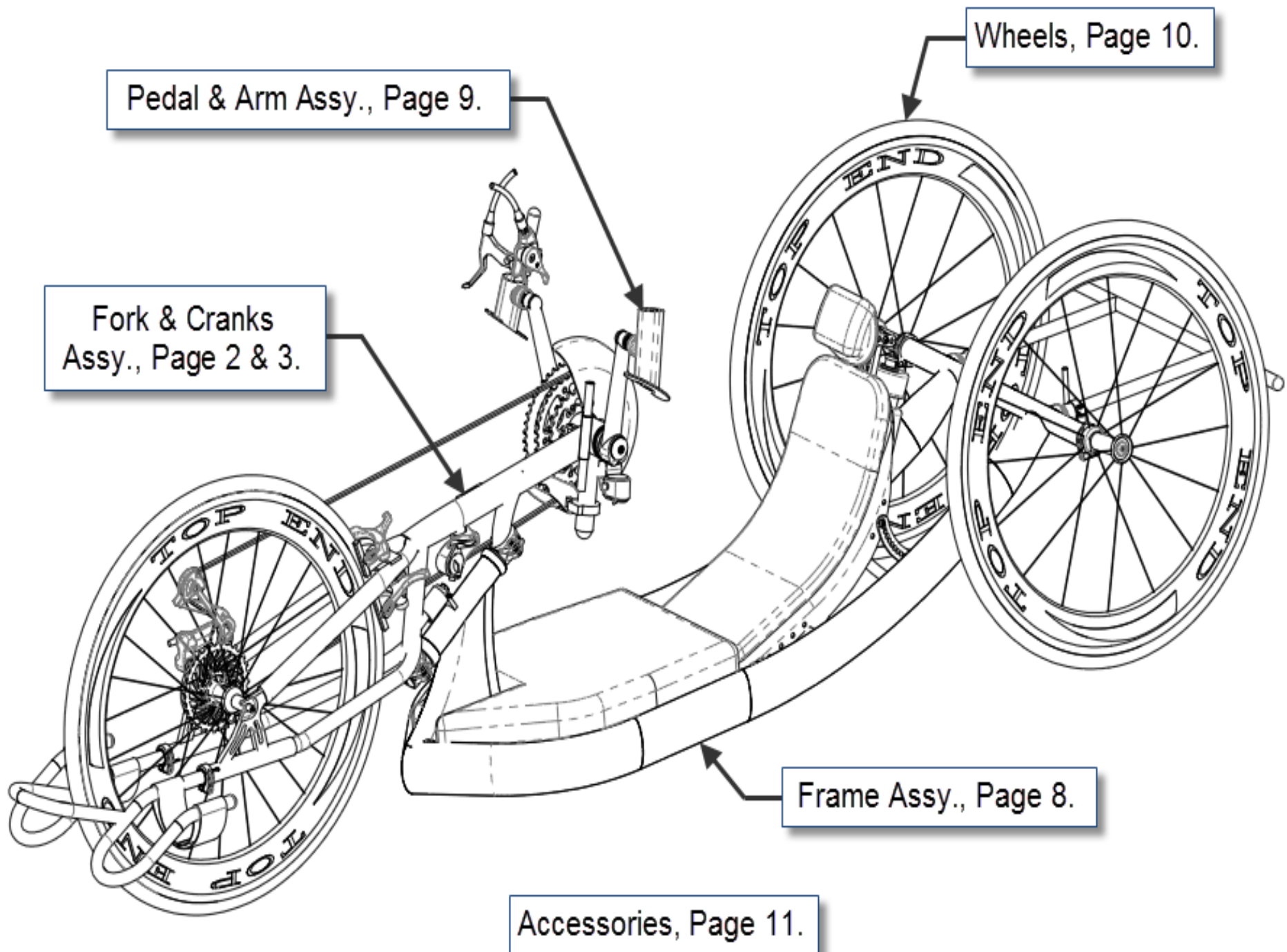




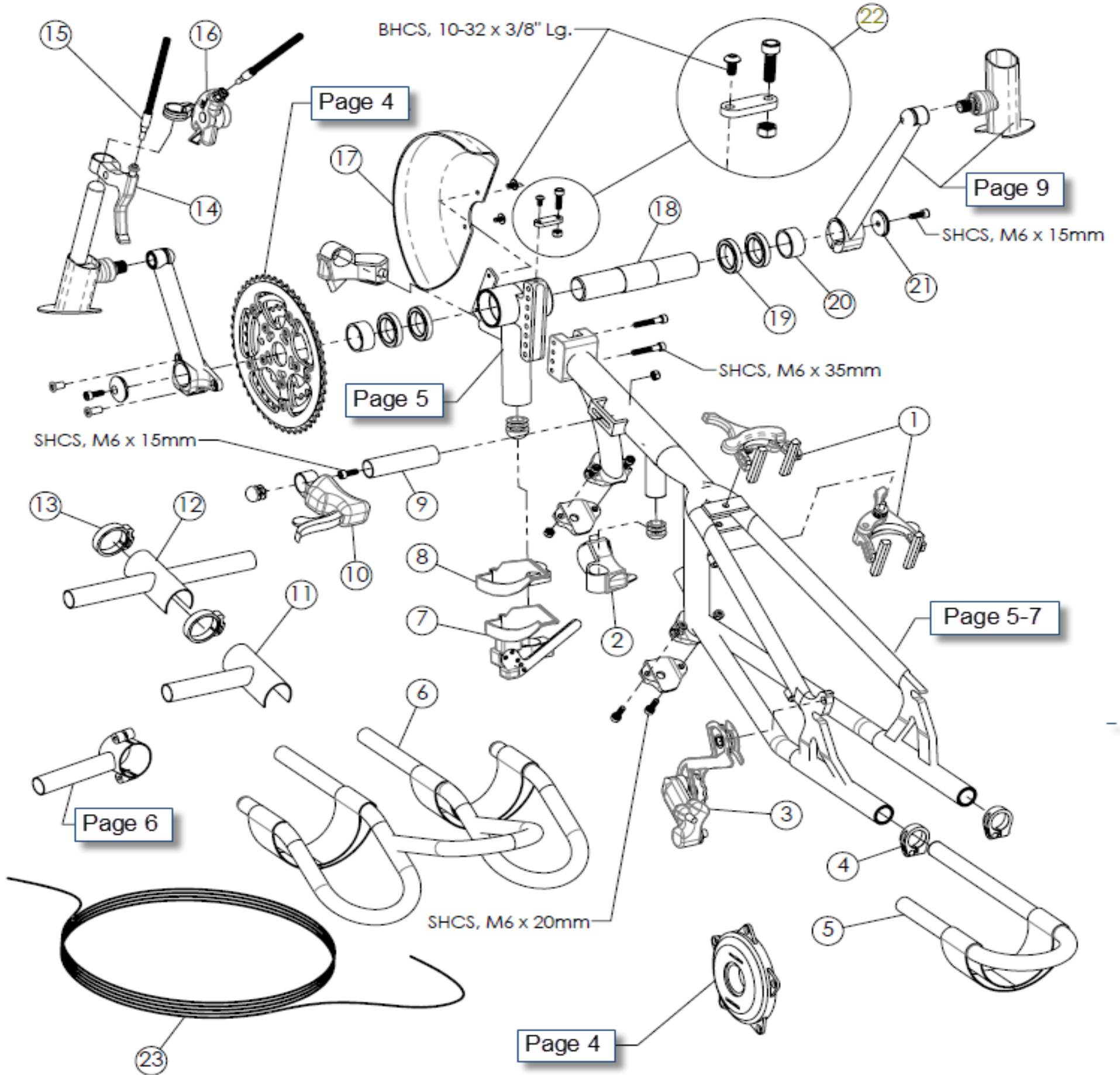
Sports and Recreation Products
4501 63rd Circle North
Pinellas Park, FL 33781
(800) 532-8677 (727) 522-8677
Fax: (727) 522-1007
www.topendwheelchair.com

Invacare Top End Parts Catalog Force RX





Sports and Recreation Products
 4501 63rd Circle North
 Pinellas Park, FL 33781
 (800) 532-8677 (727) 522-8677
 Fax: (727) 522-1007
 www.topendwheelchair.com





Invacare Top End Sports and Recreation Products

(800) 532-8677 (727) 522-8677 fax: (727) 522-1007

Parts Order Diagram:

Force RX: Crank Assembly


Date:	PO#:	SO#:
Bill To:	Ship To:	
Quote #:	Phone:	Serial #:

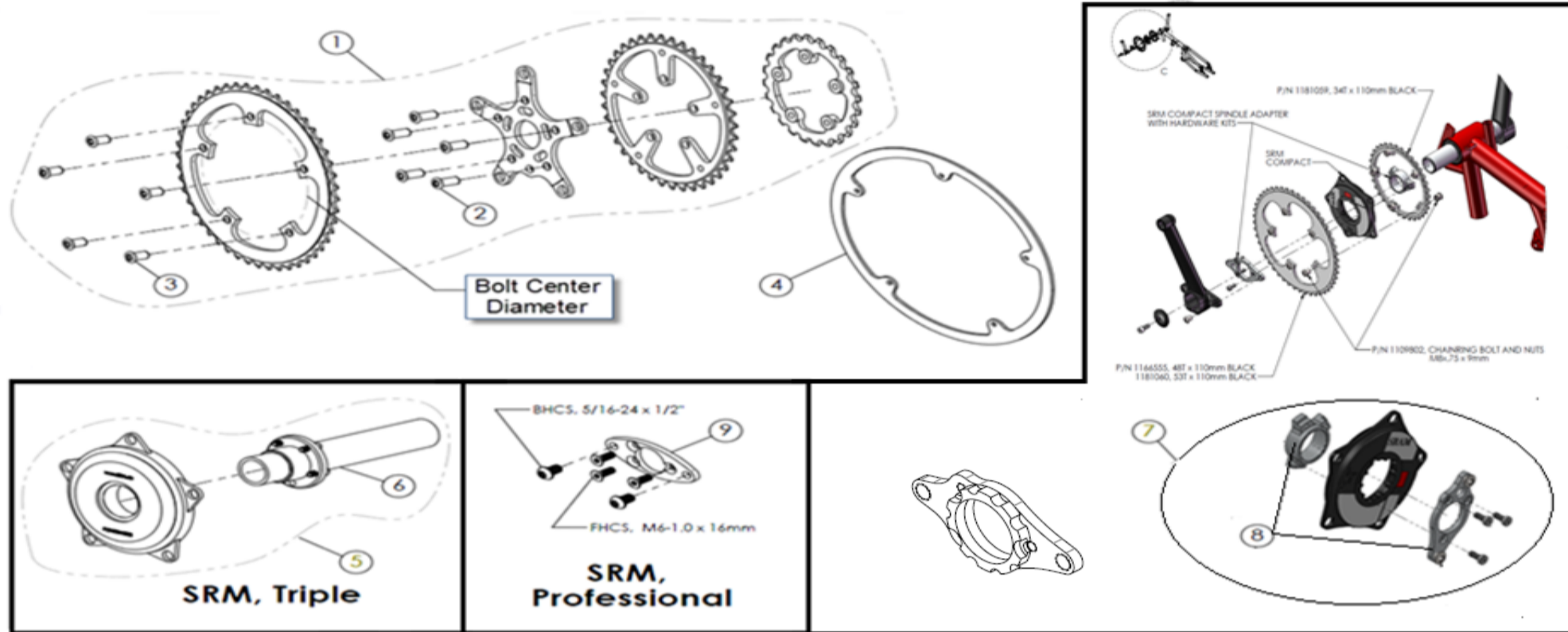
ITEM	PART NUMBER	PER BIKE	DESCRIPTION	QTY.	
1	1127940	2	Brake Caliper Standard <input type="checkbox"/> Carbon Wheel <input type="checkbox"/> StandardWheel		EA
	1166337	1	Brake Caliper Set (Front & Rear) Torq Lite Road II (upgrade)		PR
	1166463	1	Replacement pads for standard metal rim wheels (set of 2 pads)		PR
	1156720	1	Disc Brake Caliper		EA
	1156768	1	Disc Brake Rotor for Standard Front Wheel Only		EA
	1166232	1	Disc Brake Rotor for Corima Wheel Only		EA
	1156769	1	Disc Brake Replacement Pads		PR
	1139823	1	Carbon Wheel Replacement Brake Pads (set of 2 pads)		PR
2	1166481	2	Lever for Parking Brake/Cable Driven Lever		EA
3	1166332	1	SRAM XX 10 Speed Wheel Derailleur		EA
	1166550	1	SRAM X9 10 Speed Wheel Derailleur		EA
4	1139810	2	Footrest 1" Clamp, Single Screw		EA
5	1153042	2	Footrest Assy., (3/4") w/ Strap <input type="checkbox"/> 3-3/4" w <input type="checkbox"/> 4-3/4" w <input type="checkbox"/> Right <input type="checkbox"/> Left		EA
	1181064	2	Footrest Tube,(3/4") w/ Velcro (only) <input type="checkbox"/> 3-3/4" w <input type="checkbox"/> 4-3/4" w		EA
	1153155	2	Footrest Strap 2" Padded		EA
6	1166527	1	Connected Footrest w/ Strap, (Fork: <input type="checkbox"/> Aero <input type="checkbox"/> Wide Style) <input type="checkbox"/> w/o Drop <input type="checkbox"/> w/ Drop <input type="checkbox"/> 3-3/4" Wide (std) <input type="checkbox"/> 4-3/4" Wide		EA
7	1139745	1	Manual Derailleur Assembly (incl: (1) derailleur, (1) lever, & hardware, see Page 4 for Compatibility)		EA
8	1166504	1	Cable Driven Derailleur		EA
9	1166569	1	Fork Mounted Shifter tube assembly (includes tube, screws, nut and plug) (must have welded mounting tab on fork)		EA
10	1166330	1	Shifter Lever Road, 10 speed (Right Side mount only) (fork mounted brake)		EA
11	1166229	1	Fork Mount, Shifter Single (Includes 2 plastic clamps & 1 plug) (clamp-on) Not available with XLT49 fork		EA
12	1166230	1	Fork Mount, Shifter Double (Include 2 plastic clamps and 2 plugs) (clamp-on) Not available with XLT49 fork		EA
13	1166507	2	Fork Mount Shifter Clamp		EA
14	1166474	1	Hand Brake Lever, Standard		EA
	1166340	1	Brake Lever Upgrade, Pro Force Ultralight (upgrade)		EA
15	1181053	2	Cable spring Assy., handcycle		EA
16	1180991	1	SRAM Shifter XX 10 Speed, (XX Mounting Clamp Included)		EA
	1180992	1	SRAM Shifter X9 10 Speed, (X9 Mounting Clamp Included)		EA
17	1166662	1	Chainring Guard, Carbon Fiber (include mounting hardware)		EA
18	1181150	1	Bottom Bracket Spindle Assy. (incld spindle w/shoulder, 2 star nuts) <input type="checkbox"/> 6" <input type="checkbox"/> 7" <input type="checkbox"/> Other		EA
19	1127921	4	Crank Bearing, 30 x 42 x 7MM		EA
20	1180993	2	Crank Spacer, (width: <input type="checkbox"/> 1/4" <input type="checkbox"/> 3/8" <input type="checkbox"/> 1/2" <input type="checkbox"/> 5/8" <input type="checkbox"/> 3/4" <input type="checkbox"/> 7/8" <input type="checkbox"/> 1"		EA
21	1145951	2	Cap, Spindle (With SHCS, M6 x 15mm)		EA
22	1181065	1	Cable Stop Assy., (includes hardware)		EA
23	1146014	1	Cable and Housing, for Parking Brake (w/5 foot Length housing)		EA
	1146015	1	Cable and Housing, for Hand Brake (w/5 foot Length housing)		EA
	1146016	1	Cable and Housing for Shifter (w/5 foot Length housing)		EA

	Invacare Top End Sports and Recreation Products	Parts Order Diagram:	
	(800) 532-8677 (727) 522-8677 fax: (727) 522-1007	Force RX: Di2	
Date: <input type="text"/>	PO#: <input type="text"/>	SO#: <input type="text"/>	
Bill To: <input type="text"/>	Ship To: <input type="text"/>		
Quote #: <input type="text"/>	Phone: <input type="text"/>	Serial #: <input type="text"/>	

Note: Di2 components are shown below as service parts purposes. For retro-fitting an existing bike with electronic shifting, please consult your provider.

ITEM	PART NUMBER	PER BIKE	DESCRIPTION	QTY.	
Electronic Di2 Batteries and Accessories					
	1181304	1	Junction Box A 5-Port with Button and Charging Port	<input type="text"/>	EA
	1181301	1	Internal Battery, Di2	<input type="text"/>	EA
	1181292	1	Di2 wire, 400MM Black	<input type="text"/>	EA
	1181302	1	Battery charger for Internal Battery	<input type="text"/>	EA
	1181521	1	Tool, Di2 wires	<input type="text"/>	EA
Electronic Di2 Shifters					
	1181306	1	Shifter/brake lever, Ultegra Di2 Right	<input type="text"/>	EA
	1181307	1	Shifter/brake lever, Ultegra Di2 Left	<input type="text"/>	EA
	1181305	1	Junction Box B 4-Port, Inline	<input type="text"/>	EA
	1181293	1	Di2 wire, 1200MM black	<input type="text"/>	EA
	1181371	1	Spiral Wrap, 1/8" Black x 4 ft long	<input type="text"/>	EA
	1181308	1	STI shifter/brake lever, Ultegra Di2 Right	<input type="text"/>	EA
	1181309	1	STI shifter/brake lever, Ultegra Di2 Left	<input type="text"/>	EA
	1181292	1	Di2 wire, 400MM black	<input type="text"/>	EA
	1181310	1	Remote climbing shifter	<input type="text"/>	EA
Electronic Di2 Derailleurs					
	1181367	1	XTR Di2 11 Speed Wheel Derailleur	<input type="text"/>	EA
	1181296	1	Ultegra Di2 11 Speed Wheel Derailleur	<input type="text"/>	EA
	1181368	1	Electric wire, 800MM Black	<input type="text"/>	EA
11 Speed Components					
	1181369	1	11 Speed Cassette 11-36	<input type="text"/>	EA
	1181312	1	11 speed Cassette 11-32 Ultegra	<input type="text"/>	EA
	1181313	2	Chain, 11 Speed	<input type="text"/>	EA

	Invacare Top End Sports and Recreation Products	Parts Order Diagram:	
	(800) 532-8677 (727) 522-8677 fax: (727) 522-1007	Force RX: SRM Chainring	
Date: <input type="text"/>	PO#: <input type="text"/>	SO#: <input type="text"/>	
Bill To: <input type="text"/>		Ship To: <input type="text"/>	
Quote #: <input type="text"/>	Phone: <input type="text"/>	Serial #: <input type="text"/>	



ITEM	PART NUMBER	PER BIKE	DESCRIPTION	QTY.	
Chainring Assembly					
1	1166338	1	Top End chainring assembly, 48-39-24T black (Assembled including separate spider) (130mm x 74)	<input type="text"/>	EA
	1166339	1	Top End chainring assembly, 53-39-28T black (Assembled including separate spider) (130mm x 74)	<input type="text"/>	EA
	1166568	1	Top End compact chainring assembly, 48-34-22T (Assembled including separate spider) (110mm x 58)	<input type="text"/>	EA
Q-Ring, 130mm BCD					
	1166510	1	39T Chainring, Q-ring 5x130 mm, Rotor Ring (Not Available)	<input type="text"/>	EA
	1166511	1	53T Chainring, Q-ring 5x130 mm, Rotor Ring (Not Available)	<input type="text"/>	EA
Chainring, 130mm BCD (bolt center diameter)					
	1109800	1	39T Chainring, 5x130mm (no spider included)	<input type="text"/>	EA
	1109801	1	48T Chainring ramped, 5x130mm (no spider included)	<input type="text"/>	EA
	1166493	1	53T Chainring ramped, 5x130mm (no spider included)	<input type="text"/>	EA
Compact Chainring, 110mm BCD (bolt center diameter)					
	1181059	1	34Tx110mm black, Alloy ramped chainring (no spider included)	<input type="text"/>	EA
	1166555	1	48Tx110mm black, Alloy ramped chainring (no spider included)	<input type="text"/>	EA
	1181060	1	53Tx110mm black, Alloy ramped chainring (no spider included)	<input type="text"/>	EA
Chainring, 74mm BCD					
Chainring, 74mm BCD (bolt center diameter)					
	1166471	1	24T Chainring, 5x74mm (std. or compact spider can be used- not included)	<input type="text"/>	EA
	1109799	1	28T Chainring, 5x74mm (std. or compact spider can be used- not included)	<input type="text"/>	EA
Compact Chainring, 58mm BCD (bolt center diameter)					
	1181058	1	22Tx58mm black, Alloy ramped chainring (no spider included)	<input type="text"/>	EA
Chainring Components					
2	1109802	5	Chainring Bolt and Nuts, M8x.75 x 9mm (Outer Rings)	<input type="text"/>	EA
3	1109803	5	Chainring Bolt and Spacer, M8 x.75 x 12.5mm (Inner Rings)	<input type="text"/>	EA
4	1181070	1	Flat Chain Guard, 48T Kit with custom Chainring Bolts and mounting screws	<input type="text"/>	EA
	1181071	1	Flat Chain Guard, 53T Kit with custom Chainring Bolts and mounting screws	<input type="text"/>	EA
	1156727	1	STD. Spider 74/130 BCD Black (needed to assemble chainrings, only included when ordering chainring assemblies above)	<input type="text"/>	EA
	1166631	1	Compact Spider 58/74/110 BCD, Black (needed to assemble chainrings, only included when ordering chainring assemblies above)	<input type="text"/>	EA
	1166334	1	Hollow Pin Chain, 10 Speed (only chain available for 10 speed)	<input type="text"/>	EA
SRM Power Meter					
5	XLT60	1	SRM Triple Power Meter & Mounting Hardware	<input type="text"/>	EA
6	1166280	1	SRM Triple Spindle with Hardware (1/4" spacer, 1-1/4" spacer, five M5 x 12 bolts) (Component only functions with 1.0" size crank arms)	<input type="text"/>	EA
7	XLT92	1	SRM Compact Power Meter, including both Shaft Adapter	<input type="text"/>	EA
8	1180966	1	SRM Compact Spindle Adapters w/ Hardware (Three SHCS, M5x0.8 x 12MM, ultra low head and two M8 x 0.75MM)	<input type="text"/>	EA
9	1166343	1	SRM Professional Adapter Plate w/Hardware (Three FHCS, M6-1.0 X 16MM and two BHCS, 5/16-24 x 1/2")	<input type="text"/>	EA



Invacare Top End Sports and Recreation Products

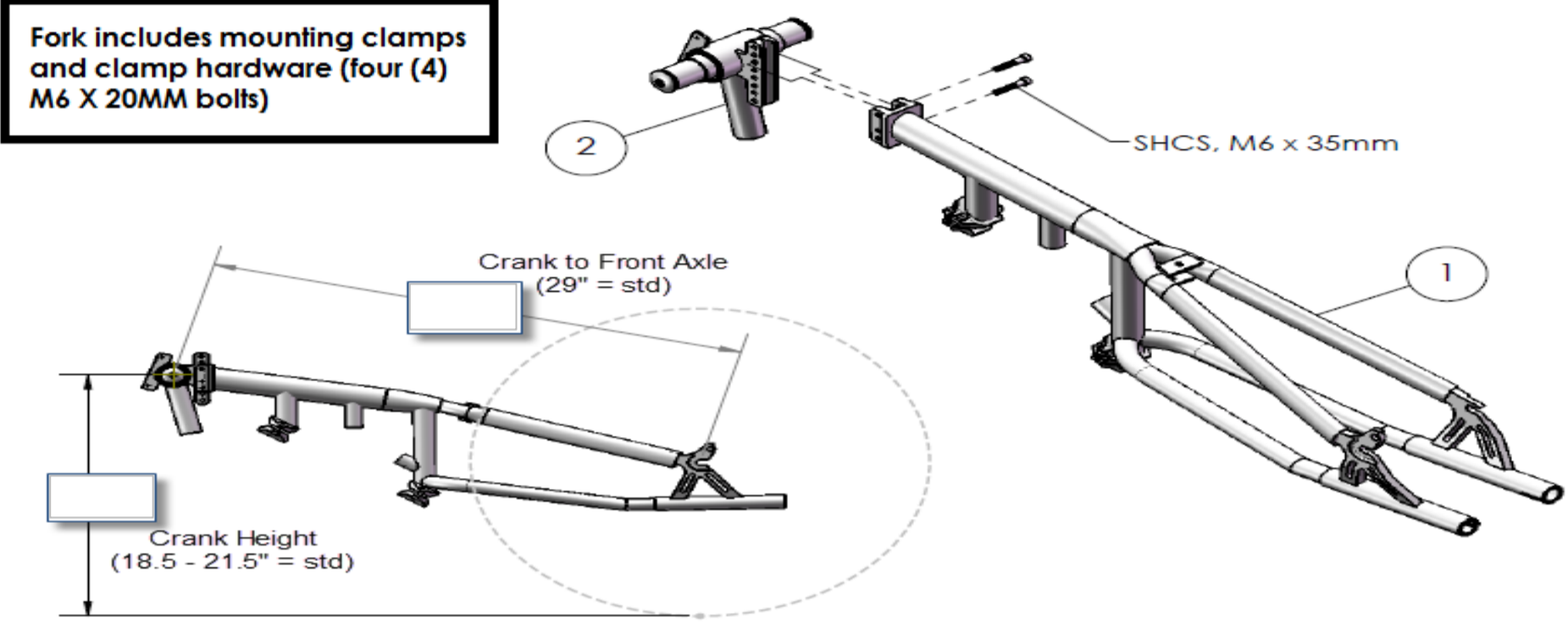
(800) 532-8677 (727) 522-8677 fax: (727) 522-1007

Parts Order Diagram:

Force RX: Standard Fork

Date:	PO#:	SO#:
Bill To:	Ship To:	
Quote #:	Phone:	Serial #:

Fixed Length & Vertical Height Adj. (Standard)



Upper Derailleur Guide				
Cable Driven Derailleur (std)	Manual Derailleur	XLT80, Fork Mounted Shifter	Fork, Mounted Second Brake	Lower Fork Style

ITEM	PART NUMBER	PER BIKE	DESCRIPTION	QTY.	
1	1153309	1	Fixed Length & Vertical Height Adj. Color: <input type="text"/> Serial #: <input type="text"/> Wheel Size: <input type="checkbox"/> 26" <input type="checkbox"/> 700c	1	EA
			UPGRADE: XLT80, Fork Mounted Shifter: <input type="checkbox"/> Yes <input type="checkbox"/> No		
			Fork Mounted, Second Brake: <input type="checkbox"/> Yes (std) <input type="checkbox"/> No		
			Lower Fork Style: <input type="checkbox"/> Aero (std) <input type="checkbox"/> Wide <input type="checkbox"/> Wide w/ Disc brake		
2	1153310	1	Crank Assy., Vertical Adjustment. Include: Housing, Spindle, two (2) SHCS M6 x 35mm, One (1) M6 x 45mm Spacers: 3/4" and 5/8", Two (2) M6 x 20mm, and Two (2) end caps, 10-32 x 3/8", Cable Bracket, and Cable Stop	1	EA
			Upper Derailleur Guide <input type="checkbox"/> Cable Driven Derailleur (std) <input type="checkbox"/> Manual Derailleur <input type="checkbox"/> Manual Derailleur w/Post Mounted Secondary Brake		
			Spindle Length: <input type="checkbox"/> 6" <input type="checkbox"/> 7"		



Invacare Top End Sports and Recreation Products

(800) 532-8677 (727) 522-8677 fax: (727) 522-1007

Parts Order Diagram:

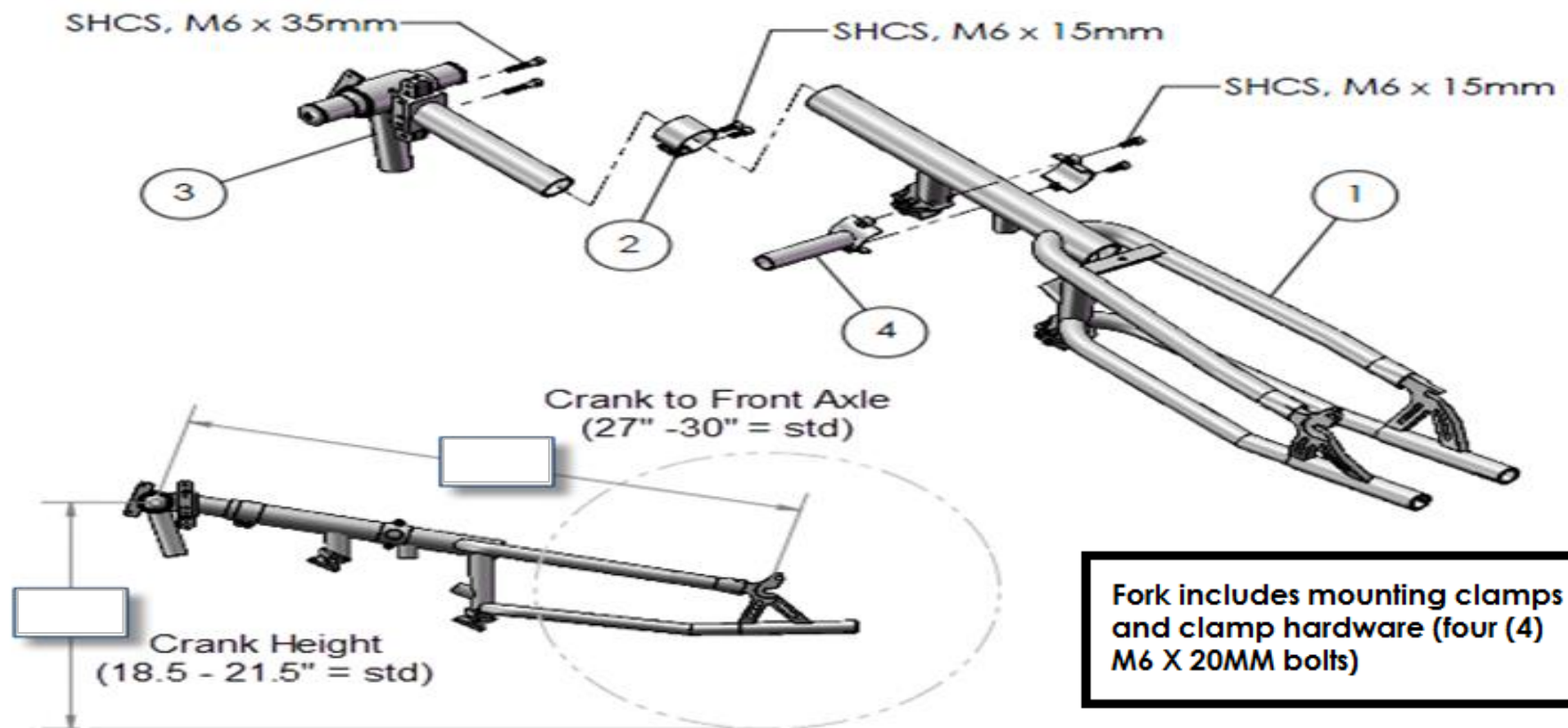
Force RX: XLT49 Fork

Date: PO#: SO#:

Bill To: Ship To:

Quote #: Phone: Serial #:

Diagonal & Vertical Crank Height Adj. (XLT49)



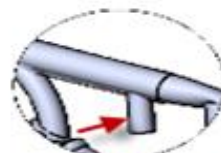
Upper Derailleur Guide



Cable Driven Derailleur (std)



Manual Derailleur



Fork, Mounted Second Brake




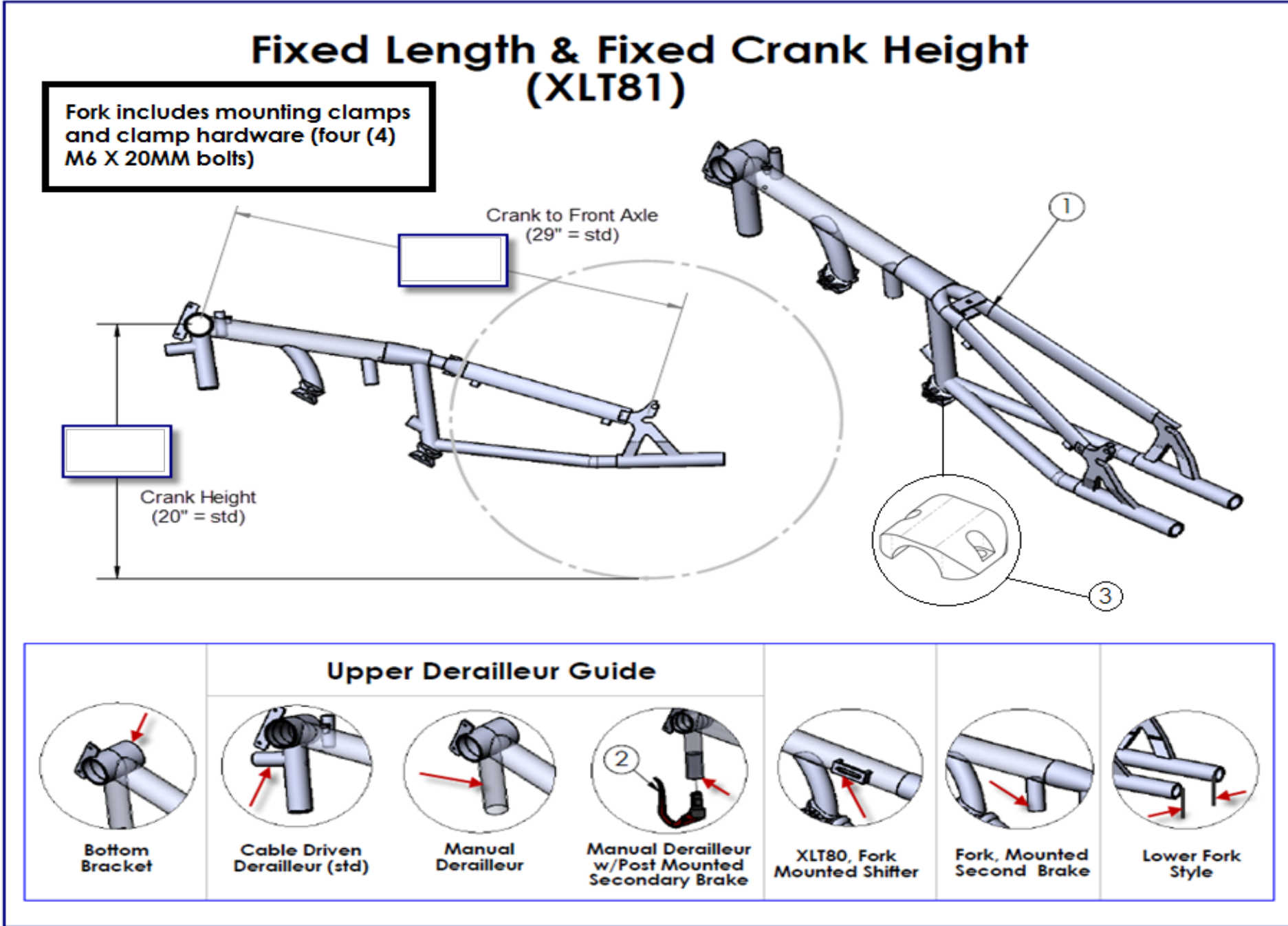
Lower Fork Style



XLT80, Fork Mounted Shifter

ITEM	PART NUMBER	PER BIKE	DESCRIPTION				QTY.	
1	1153041	1	Diagonal & Vertical Crank Height Adj. Color: <input type="text"/> Serial #: <input type="text"/> Wheel Size: <input type="checkbox"/> 26" <input type="checkbox"/> 700c	UPGRADE: XLT80, Fork Mounted Shifter: <input type="checkbox"/> Yes <input type="checkbox"/> No	UPGRADE: Fork Mounted, Second Brake: <input type="checkbox"/> Yes (std) <input type="checkbox"/> No	Lower Fork Style: <input type="checkbox"/> Aero (std) <input type="checkbox"/> Wide <input type="checkbox"/> Wide w/ Discbrake		EA
2	1166489	1	Fork Clamp w/Hardware (Two (2) M6 X 15MM bolts)					EA
3	1153055	1	Crank Assy., Diagonal & Vertical Adj. Include: Housing, Spindle, two (2) SHCS M6 x 35mm, One (1) M6 x 45mm Spacers: 3/4" and 5/8", Two (2) M6 x 20mm, and Two (2) end caps, 10-32 x 3/8", Cable Bracket, Cable Stop, and Clevis	Upper Derailleur Guide: <input type="checkbox"/> Cable Driven Derailleur <input type="checkbox"/> Manual Derailleur <input type="checkbox"/> Manual Derailleur w/Post Mounted Secondary Brake Spindle Length: <input type="checkbox"/> 6" <input type="checkbox"/> 7"				EA
4	1166380	1	Clamp-On Fork Mount Bracket (Note: For use with vertical and diagonal adjusting forks only and hardware included)					EA

	Invacare Top End Sports and Recreation Products	Parts Order Diagram:	
	(800) 532-8677 (727) 522-8677 fax: (727) 522-1007	Force RX: XLT81 Fork	
Date: <input type="text"/>	PO#: <input type="text"/>	SO#: <input type="text"/>	
Bill To: <input type="text"/>		Ship To: <input type="text"/>	
Quote #: <input type="text"/>	Phone: <input type="text"/>	Serial #: <input type="text"/>	



ITEM	PART NUMBER	PER BIKE	DESCRIPTION				QTY.				
1	1166316	1	Fixed Length & Fixed Crank Height Color: <input style="width: 100px;" type="text"/>		Bottom Bracket: <input type="checkbox"/> Top End (std) <input type="checkbox"/> Bicycle (Threaded)		Upper Derailleur Guide: <input type="checkbox"/> Cable Driven Derailleur (std) <input type="checkbox"/> Manual Derailleur <input type="checkbox"/> Manual Derailleur w/Post Mounted Secondary Brake		EA		
			Serial # <input style="width: 100px;" type="text"/>		Wheel Size: <input type="checkbox"/> 26" <input type="checkbox"/> 700c Height: <input type="checkbox"/> STD <input type="checkbox"/> Custom		XLT80, Fork Mounted Shifter: <input type="checkbox"/> Yes <input type="checkbox"/> No		Fork Mounted, Second Brake: <input type="checkbox"/> Yes (std) <input type="checkbox"/> No		Lower Fork Style: <input type="checkbox"/> Aero (std) <input type="checkbox"/> Wide w/ Discbrake <input type="checkbox"/> Wide
2	1166557	1	Brake Lever, Manual Derailleur w/Post Mounted Secondary Brake				EA				
3	1153164	2	Clamp, bottom Half Color: <input style="width: 100px;" type="text"/>				EA				



Invacare Top End Sports and Recreation Products

(800) 532-8677 (727) 522-8677 fax: (727) 522-1007

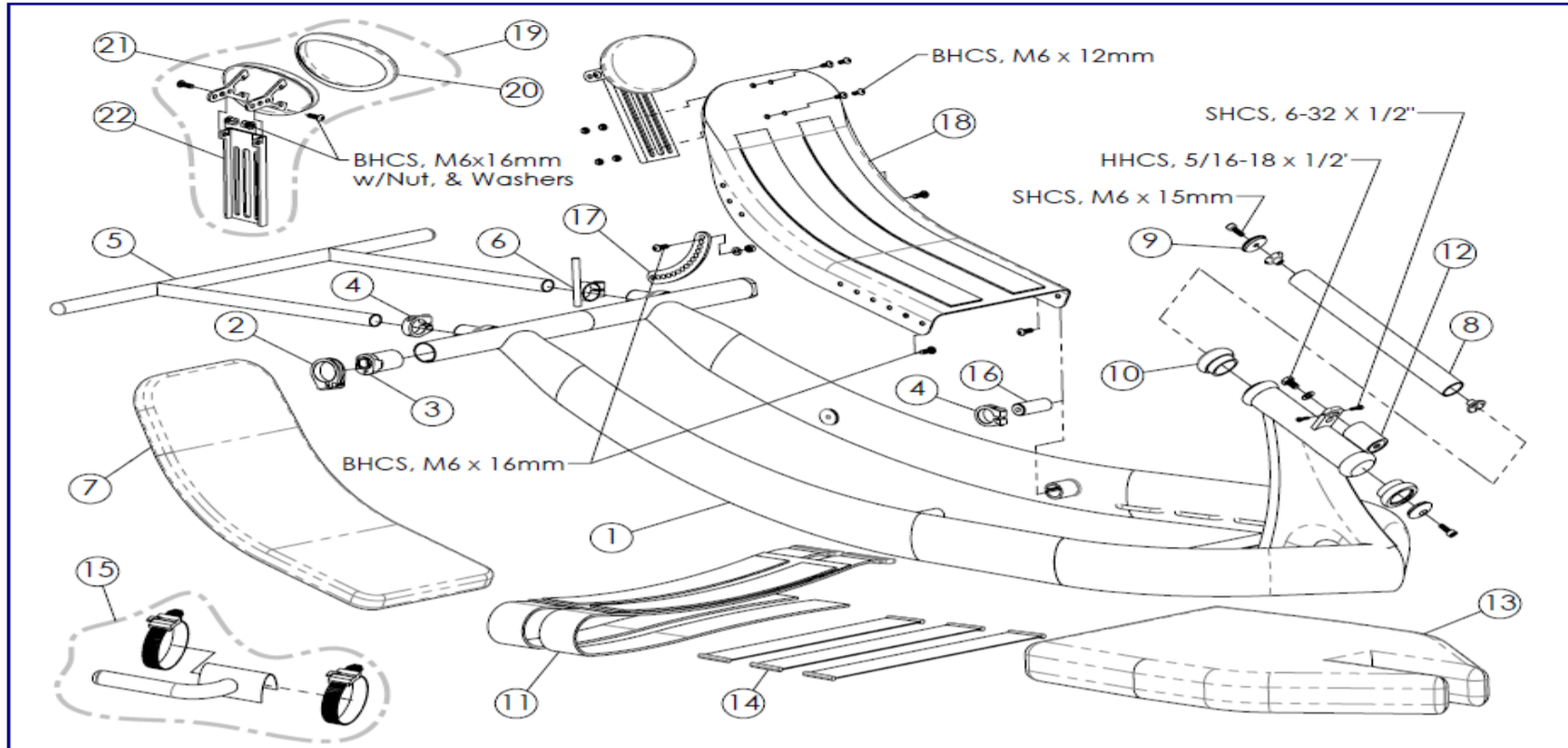
Parts Order Diagram:

Force RX: Frame Assembly

Date: PO#: SO#:

Bill To: Ship To:

Quote #: Phone: Serial #:



ITEM	PART NUMBER	PER BIKE	DESCRIPTION	QTY.	
1	1180985	1	Frame, Carbon Back		EA
	1180986	1	Frame, Fixed Back		
			RX Serial # Required: <input type="text"/>	Completed Order form may be Required	
2	1166473	2	Clamp, Cambertube 1 1/4"		EA
3	1166704	2	Camber Bushing, 0 Deg, Integrated (for 1-1/4 OD 058)		EA
	1166706		Camber Bushing, 3 Deg, Integrated (for 1-1/4 OD 058)		EA
4	1139810	3	Clamp, 1" Alloy, single screw included		EA
5	1146002	1	Drafting Bumper (includes 2 plugs), Select SW and Bumper Size: - Seat Width: <input type="text"/> - Wheel Size and Camber: <input type="checkbox"/> 20" <input type="checkbox"/> 26" at 0 deg. <input type="checkbox"/> 26" at 3 deg. <input type="checkbox"/> 700C at 3 deg. <input type="checkbox"/> 700C at 6 deg(W/Bend)		EA
	1139803	2	Plug, 3/4" Black Dome		EA
6	1156741	1	Safety flag holder		EA
7	1166344	1	Back Cushion, Black Mesh SW: <input type="text"/> <input type="checkbox"/> Carbon Back -OR- <input type="checkbox"/> Fixed Back <input type="checkbox"/> Velcrow -OR- <input type="checkbox"/> Snaps		EA
	1166346	1	Headrest Cushion, Black Mesh (Fixed Backrest only)		EA
8	1166512	1	Headset Shaft Assembly (10-3/8" Long) Include 2 Star Nut.		EA
9	1145951	2	Cap, w/Screw M6 x 15 mm		PR
10	1166475	1	Headset, 1-1/8" dia. (must be press in with the frame)		EA
11	1153156	1	Positioning Strap, Seat Width: <input type="checkbox"/> 13" <input type="checkbox"/> 14" <input type="checkbox"/> 15" <input type="checkbox"/> 16" <input type="checkbox"/> 17" <input type="checkbox"/> 18"		EA
12	1166397	1	Dampner, w/ Hardware Metric threads (after 01/01/13)		EA
	1146018	1	Dampner, w/ Hardware Inch threads (prior to 01/01/13)		EA
13	1153054	1	Seat Cushion, Black Mesh Seat Width: <input type="text"/>		EA
14	1166348	4	Strap, Cushion Support. (Inside Frame Width Dimemnsion Is Required for each Strap)		EA
15	1166614	1	Bracket, Elbow Shifter Mount Kit, (includes Clamps and Finish Plug) <input type="checkbox"/> Right <input type="checkbox"/> Left		EA
	1166474	1	Elbow Brake Lever		EA
	1166574	1	Elbow shifter, doubletap for Chainring (3 speed)		EA
	1166575	1	Elbow shifter, doubletap for Cassette (10 speed)		EA
16	1166579	2	Carbon Back Mounting Post, <input type="checkbox"/> 1-1/4" Long <input type="checkbox"/> 2" Long		EA
17	1157271	2	Link, Crescent (anodized black)		EA
18	1180990	1	Carbon Back, (not available for Fixed Back), Seat Width: <input type="checkbox"/> 13"-16" <input type="checkbox"/> 17"-18"		EA
19	1180938	1	Headrest Assy., Carbon Back		EA
20	1181067	1	Fabric Cover, RX Headrest Airmesh		EA
21	1166664	1	Headrest Weldment w/Foam (1/2" Thick Hard)		EA
22	1166667	1	Bracket, Headrest Mount		EA



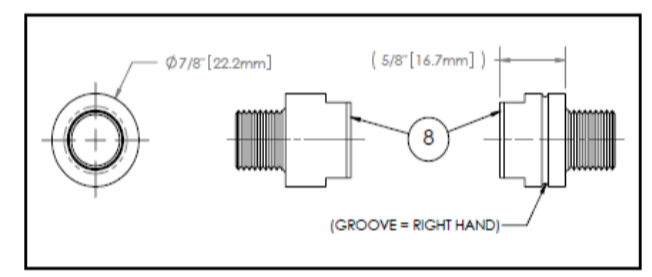
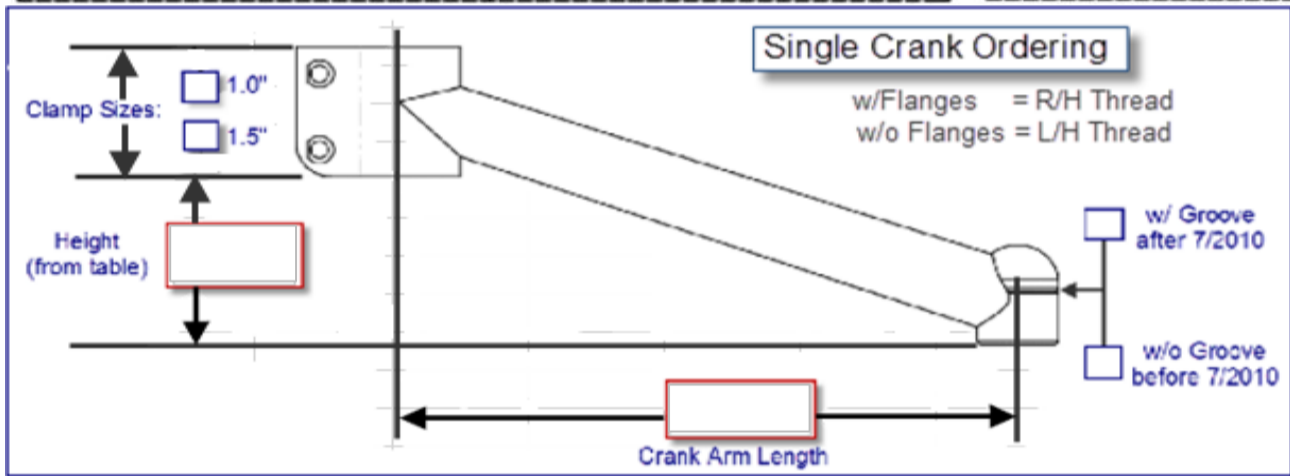
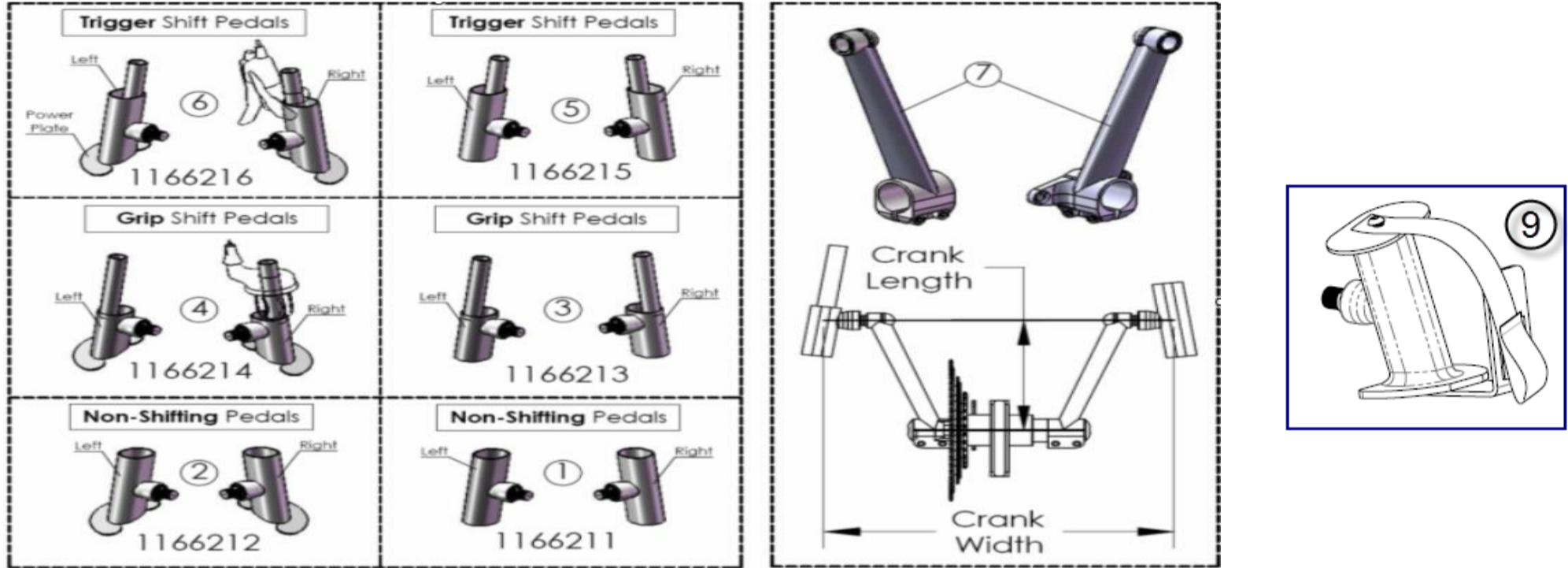
Invacare Top End Sports and Recreation Products

(800) 532-8677 (727) 522-8677 fax: (727) 522-1007

Parts Order Diagram:

Force RX: Pedals and Arms

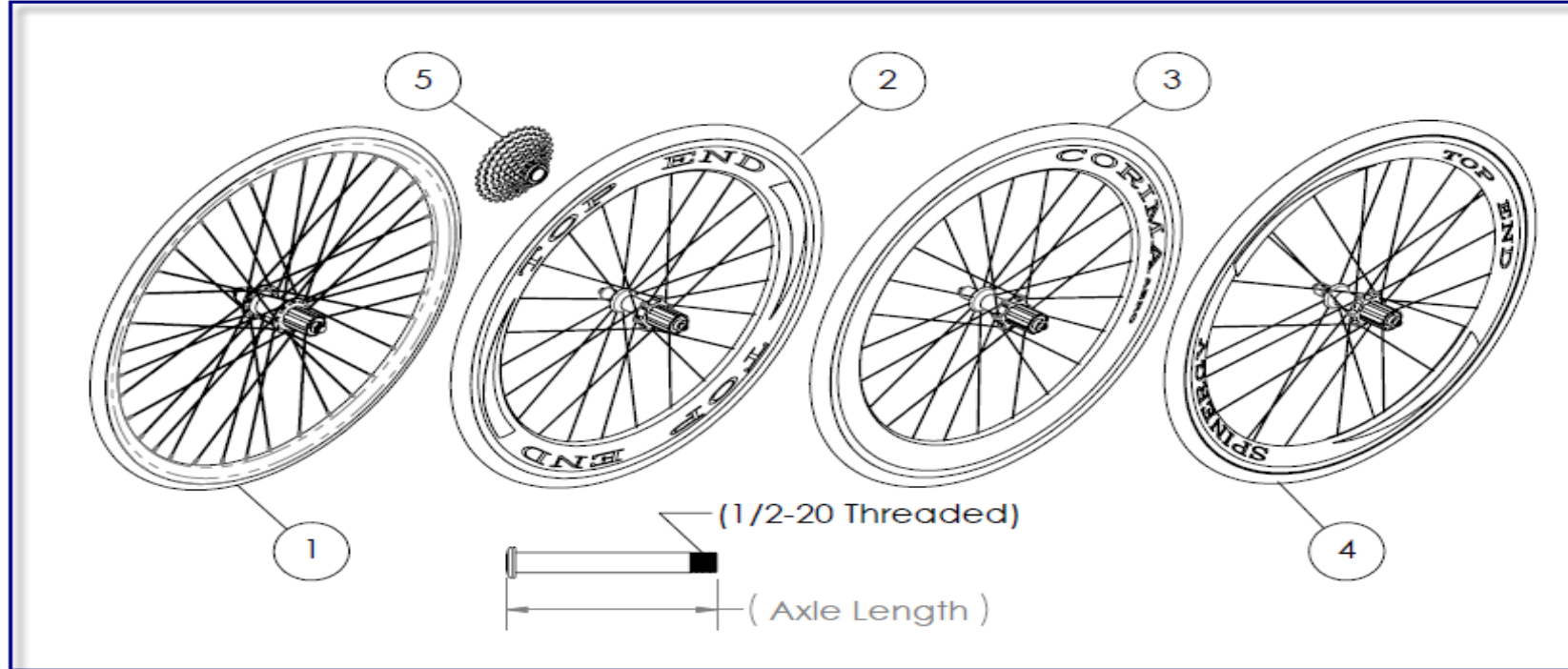
Date: PO#: SO#:
 Bill To: Ship To:
 Quote #: Phone: Serial #:



ITEM	PART NUMBER	PER BIKE	Pedals and Cranks Assembly					QTY.
				Pedal Size	Bike Serial #	Pedal Angle	R or L	
1	1166211	1	Handpedal, Non-Shifting	<input type="checkbox"/> Lg <input type="checkbox"/> Med <input type="checkbox"/> Small		<input type="checkbox"/> 15 deg <input type="checkbox"/> 25 deg	<input type="checkbox"/> R <input type="checkbox"/> L	EA
2	1166212	1	Handpedal w/ Power Plate, Non-Shifting	<input type="checkbox"/> Lg <input type="checkbox"/> Med <input type="checkbox"/> Small		<input type="checkbox"/> 15 deg <input type="checkbox"/> 25 deg	<input type="checkbox"/> R <input type="checkbox"/> L	EA
3	1166213	1	Handpedal, Grip Shift	<input type="checkbox"/> Lg <input type="checkbox"/> Med <input type="checkbox"/> Small		<input type="checkbox"/> 15 deg <input type="checkbox"/> 25 deg	<input type="checkbox"/> R <input type="checkbox"/> L	EA
4	1166214	1	Handpedal w/ Power Plate, Grip Shifting	<input type="checkbox"/> Lg <input type="checkbox"/> Med <input type="checkbox"/> Small		<input type="checkbox"/> 15 deg <input type="checkbox"/> 25 deg	<input type="checkbox"/> R <input type="checkbox"/> L	EA
5	1166215	1	Handpedal, Trigger Shift	<input type="checkbox"/> Lg <input type="checkbox"/> Med <input type="checkbox"/> Small		<input type="checkbox"/> 15 deg <input type="checkbox"/> 25 deg	<input type="checkbox"/> R <input type="checkbox"/> L	EA
6	1166216	1	Handpedal w/ Power Plate, Trigger Shift	<input type="checkbox"/> Lg <input type="checkbox"/> Med <input type="checkbox"/> Small		<input type="checkbox"/> 15 deg <input type="checkbox"/> 25 deg	<input type="checkbox"/> R <input type="checkbox"/> L	EA

			Bike Serial #	Crank Length (mm)	Crank Width (in)	
7	1166217	1	Crank Set, V-Taper	<input type="checkbox"/> 155 <input type="checkbox"/> 160 <input type="checkbox"/> 165 <input type="checkbox"/> 170 <input type="checkbox"/> 175 <input type="checkbox"/> 180	<input type="checkbox"/> 12 <input type="checkbox"/> 13 <input type="checkbox"/> 14 <input type="checkbox"/> 15 <input type="checkbox"/> 16	PR
8	1166516	1	Crank Width Extension Set, Adapter (Increases Overall Width by 1-1/4")			PR
9	1166359	1	Cuff Handpedals, w/Power Plate, Non-Shifting	Size: <input type="checkbox"/> Lg <input type="checkbox"/> Med <input type="checkbox"/> Small	Angle: <input type="checkbox"/> 15 deg <input type="checkbox"/> 25 deg	<input type="checkbox"/> R or <input type="checkbox"/> L EA

	Invacare Top End Sports and Recreation Products	Parts Order Diagram:
	(800) 532-8677 (727) 522-8677 fax: (727) 522-1007	Force RX: Wheels
Date: <input type="text"/>	PO#: <input type="text"/>	SO#: <input type="text"/>
Bill To: <input type="text"/>	Ship To: <input type="text"/>	
Quote #: <input type="text"/>	Phone: <input type="text"/>	Serial #: <input type="text"/>



ITEM	PART NUMBER	PER BIKE	DESCRIPTION	QTY.	
26" and 700C wheels					
1	1156776	1	26 In. (571) High Performance Front Wheel, (Clincher Only) Alex Black Spoke	<input type="text"/>	EA
	1156736	1	26 In. (571) High Performance Front Wheel, (Clincher Only) Black Spoke, Disk Brake	<input type="text"/>	EA
	1156778	2	26 In. (571) High Performance Rear Wheel, (Clincher Only) Black Spoke (Axle Not Included)	<input type="text"/>	EA
	1166462	2	Threaded Axle, Standard Non-Drive (3 1/4") Alex Wheels before December 2014	<input type="text"/>	EA
	1166246	2	Threaded Axle, (3 3/4") , Alex Wheels after December 2014	<input type="text"/>	EA
	1181062	1	700c High Performance Front Wheel (Drive), (Clincher Only)	<input type="text"/>	EA
	1181063	2	700c High Performance Rear Wheel (Non-Drive), (Clincher Only) (Axle Not Included)	<input type="text"/>	EA
	1054030	2	Bearing, (1/2" ID x 1-1/8" OD) for Rear Wheel	<input type="text"/>	EA
2	1166260	1	26 In. (571) Top End Carbon Fiber Front Wheel (Drive), Tubular	<input type="text"/>	EA
	1166261	2	26 In. (571) Top End Carbon Fiber Rear Wheel (Non-Drive), Tubular (Axle not included)	<input type="text"/>	EA
	1166246	2	Threaded Axle, (3 3/4")	<input type="text"/>	EA
	RACE59	2	26 In. (571) Corima Carbon Fiber Disc Rear Wheel (Tubular), w/built in Threaded Axle.	<input type="text"/>	EA
3	1156771	1	26 In. (571) Corima AERO Front Wheel (Drive), (Tubular Only) Disk Brake Compatible	<input type="text"/>	EA
	1156724	1	Front wheel assembly 26" tubular, Corima AERO (no cassette cluster)	<input type="text"/>	EA
	1156725	2	26 In. (571) Corima AERO w/threaded axle, Rear wheel assembly, (Tubular Only) Built in	<input type="text"/>	EA
	1061218	1	700c Corima Aero Tubular Wheel (Drive)	<input type="text"/>	EA
4	1166385	1	26 In. (571) Spinergy Front Wheel (Drive), (Clincher only)	<input type="text"/>	EA
	1166386	2	26 In. (571) Spinergy Rear Wheel (Non-Drive) with Threaded Axle (Clincher only)	<input type="text"/>	EA
5	1166331	1	Cassette XX, 11-36, 10 Speed	<input type="text"/>	EA
	1166505	1	Cassette XX, 11-28, 10 Speed	<input type="text"/>	EA
	1166547	1	Cassette X9, 12-36, 10 Speed	<input type="text"/>	EA
	1060149	3	Tire, 26" Hi-Performance Clincher (Standard)	<input type="text"/>	EA
	1156680	3	Tire, 26" Continental Grand Prix 4000 clincher (Upgrade)	<input type="text"/>	EA
	1060160	3	Tube 26" (Hi-Performance), Standard Stem	<input type="text"/>	EA
	1139820	3	Tube 26" (Hi-Performance), Long Stem (Spinergy)	<input type="text"/>	EA
	1061213	3	26 In. Rim Strip	<input type="text"/>	EA
	RACE31	3	Tire 26" Tubular Tufo Jet Special	<input type="text"/>	EA
	1166472	3	Tire 26" Continental Sprinter, Tubular (Upgrade)	<input type="text"/>	EA
	1166580	3	Tire 700c Continental Grand Prix 4000 clincher (Upgrade)	<input type="text"/>	EA
	1059400	3	Tire 700c x 19 PRIMO Clincher	<input type="text"/>	EA
	1060161	3	Tube700c Clincher	<input type="text"/>	EA
	RACE32	3	Tube700c Tubular, Tufo Jet Special	<input type="text"/>	EA
20" Rear Wheels (Required 56" Wheel Base)					
	1181177	2	20 In. Corima Carbon Rear Handcycle Wheel (Tubular) (Axle not included)	<input type="text"/>	EA
	1181179	2	Tire, Tubular 20"	<input type="text"/>	EA
	1181178	2	20 In. Clincher Rear Handcycle Wheel (Clincher) (Axle not included)	<input type="text"/>	EA
	1181180	2	Tire, 20" Continental Grand Prix clincher	<input type="text"/>	EA
	1181181	2	Tube, 20 x 1-1/8 w/Presta Valve	<input type="text"/>	EA
	1166246	2	Threaded Axle, (3 3/4")	<input type="text"/>	EA
	NA	1	Wheel Assembly: <input type="checkbox"/> Yes <input type="checkbox"/> No	<input type="text"/>	EA



Invacare Top End Sports and Recreation Products

(800) 532-8677 (727) 522-8677 fax: (727) 522-1007

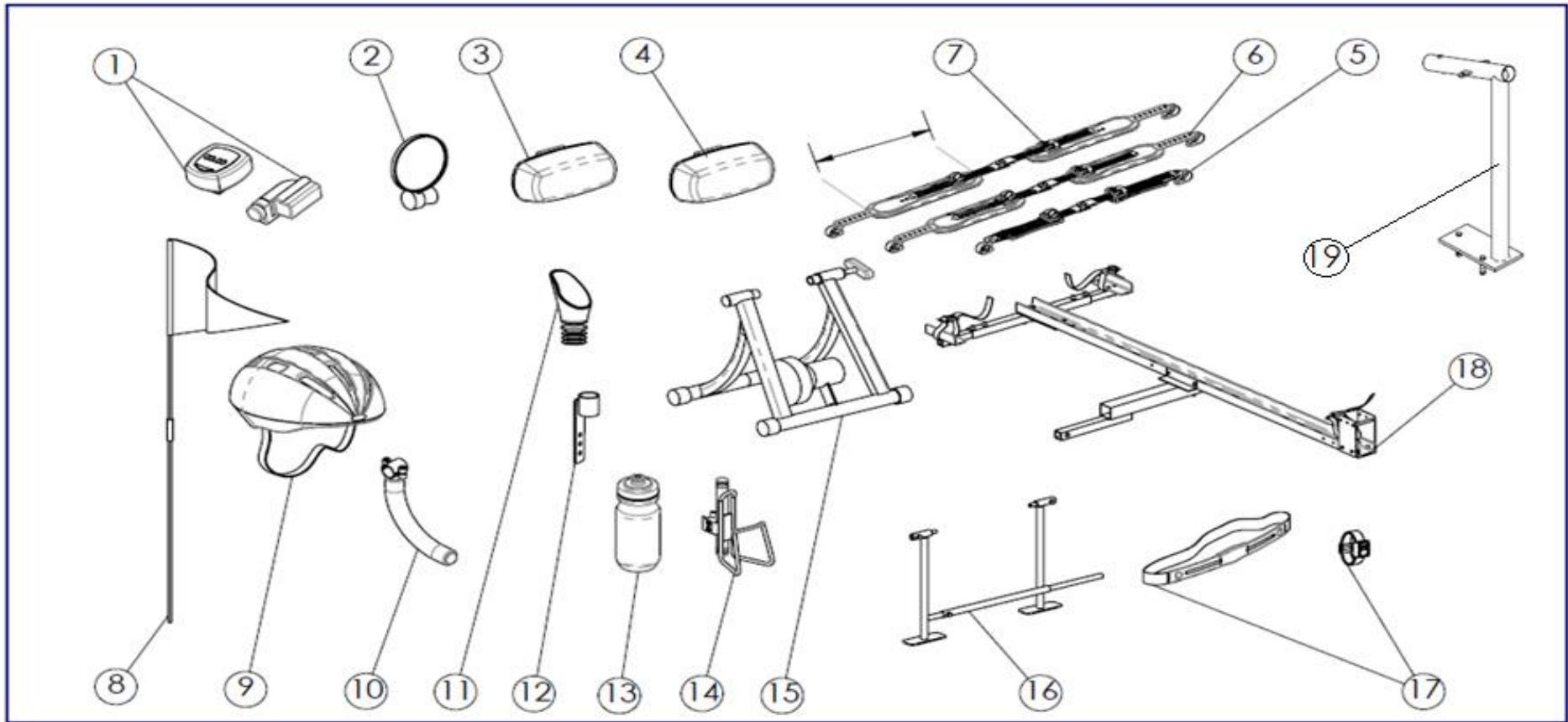
Parts Order Diagram:

Force RX: Accessories

Date: PO#: SO#:

Bill To: Ship To:

Quote #: Phone: Serial #:



ITEM	PART NUMBER	PER BIKE	DESCRIPTION	QTY.	
1	1056875	1	Cordless Computer	<input type="text"/>	EA
2	1068722	1	Mirror, Footrest Mount	<input type="text"/>	EA
3	1068721	1	Front Safety Light (clear)	<input type="text"/>	EA
4	1060841	1	Rear Safety Light (red)	<input type="text"/>	EA
5	1152963	1	Click Strap Set 8" Pad Length (Small)	<input type="text"/>	EA
6	1152964	1	Click Strap Set 10" Pad Length (Medium)	<input type="text"/>	EA
7	1152965	1	Click Strap Set 12" Pad Length (Large)	<input type="text"/>	EA
8	1060642	1	Safety Flag (Does not include Flag Holder p/n 1156741)	<input type="text"/>	EA
9	1060639	1	Helmet: <input type="checkbox"/> Small <input type="checkbox"/> Medium <input type="checkbox"/> Large	<input type="text"/>	EA
10	1166379	1	Curve Leg Support Kit	<input type="text"/>	EA
11	1153045	1	Mirror, <input type="checkbox"/> Handle Mount <input type="checkbox"/> Chain Guard Mount (item 12 needed for chainguard)	<input type="text"/>	EA
12	1166628	1	Mirror Bracket, Chainguard Mount (include: one screw, 10-32 x 3/8")	<input type="text"/>	EA
13	1166517	1	Water Bottle	<input type="text"/>	EA
14	1068718	1	Water Bottle, Cage and Hardware (Indicate Bike Model)	<input type="text"/>	EA
15	1116580	1	Indoor Training Roller	<input type="text"/>	EA
	XLT87	1	LeMond Revolution Trainer - 1166633 required (below)	<input type="text"/>	EA
	Race70	1	LeMond Cassette: 11-36T 10 Speed	<input type="text"/>	EA
	XLT97	1	SportCrafters Handcycle Mini Roller	<input type="text"/>	EA
16	1109717	1	Alignment Gauge	<input type="text"/>	EA
17	1139799	1	Heart Monitor (Chest Strap and Watch)	<input type="text"/>	EA
18	1068771	1	Bike Rack for trailer hitch Receiver Size: <input type="checkbox"/> 1-1/4" (std) <input type="checkbox"/> 2"	<input type="text"/>	EA
	1166528	1	Leg Guard Attachment <input type="checkbox"/> Left <input type="checkbox"/> Right <input type="checkbox"/> Both	<input type="text"/>	EA
	1060798	1	Backpack Hydration System	<input type="text"/>	EA
	1166518	1	Tool and Tire Repair Kit	<input type="text"/>	EA
	RACE4	1	Wheel Bag (fit 3 700c Wheels)	<input type="text"/>	EA
	RACE20	1	Handcycle Travel Bag	<input type="text"/>	EA
	RACE13	1	Top End Racing Jersey, Short Sleeve <input type="checkbox"/> Large <input type="checkbox"/> X-Large	<input type="text"/>	EA
	RACE22	1	T-Shirt with Top End Logo, <input type="checkbox"/> Large <input type="checkbox"/> X-Large	<input type="text"/>	EA
19	1166633	1	Upright Weldment (required for LeMond Trainer XLT87)	<input type="text"/>	EA