

Spare Parts Catalogue

Version: 2015/07/14a EN

Aquatec® Orca





Yes, you can.®

General Information

For any order of spare parts the following information is required:

- Product type*
- Product name & model*
- Serial Number*
- Part-Number*
- Part-Description*

Exploded view drawings and code numbers are not contractual and subject to modification, in relation to Invacare® continuous product improvement policy to meet end users needs.

The reproduction or use of this work, or of any substantial part of this work, in any form or by any electronic, mechanical or other means, including photocopying, scanning and recording, and in any information storage and retrieval system, including electronic transmission, is forbidden without the prior written permission of Invacare® International Sarl.

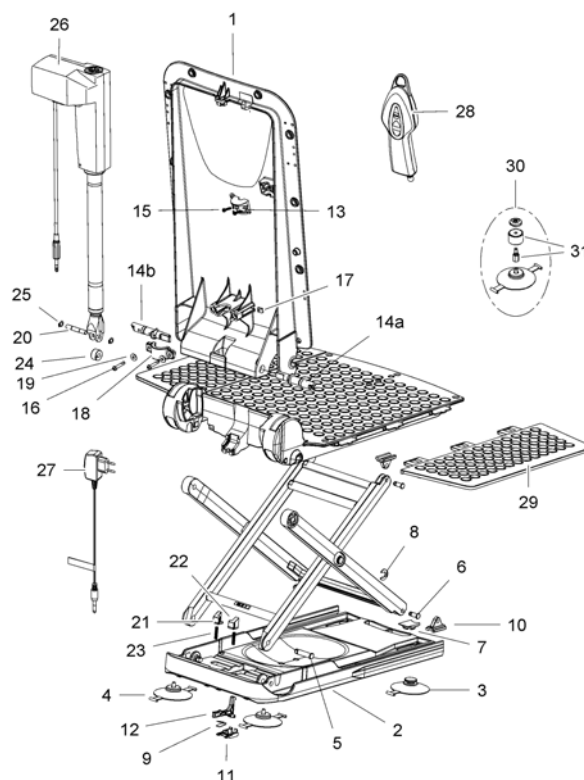


Yes, you can.®

TABLE OF CONTENTS

Spare Parts Orca from Mai 2015	5
Spare parts	7
Accessories	9

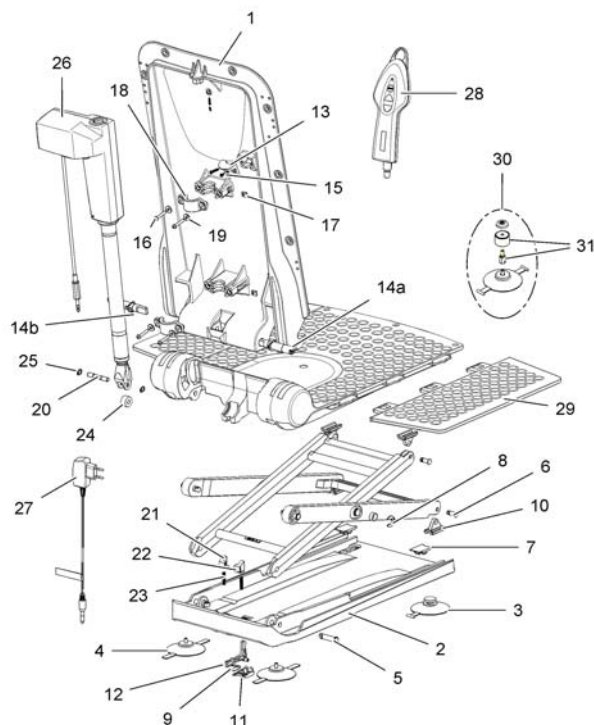
Spare Parts Orca from Mai 2015



Pos.	Part number	Description	Valid from → until	Qty
	1571317	Instruction manual Aquatec Orca Mai 2015, Orca F June 2015, Orca XL Mai 2015, german		1
	1574469	Instruction manual Aquatec Orca Mai 2015, Orca F June 2015, Orca XL Mai 2015, Multi languages		1
	1471017	Refresh kit Aquatec Orca - cover set, white		1
	16606	Cover for seat Aquatec Orca / Orca F / Orca XL,		1
	1470765	Seat cover Aquatec Orca, blue		1
	16604	Cover for backrest Aquatec Orca / Orca F / Orca XL		1
	1470766	Backrest cover Aquatec Orca, blue		1
	1470576	Cover set Aquatec Orca: seat and backrest, white		1
	1470767	Cover set Aquatec Orca, blue (seat and backrest cover)		1
1	1563010	Backrest frame for Aquatec Orca Mai 2015/ Orca F June 2015/ Orca XL Mai 2015		1
2	1563011	Base plate Orca / Orca Mai 2015		1
3	15072	Suctions cups with toggle, set of two self-releasing		1
3+4	15353	Suction cups for all battery driven bathlifts		1
4	15071	Pair of suction cups for all battery driven bathlifts		1
5	16679	Bolt d10, Aquatec Orca, Orca F		1
6	15105	Bolt for gliding shoe Aquatec Beluga / Elan / Elan 550 / Orca / Orca F / Orca XL		1
7	15121	Cap for suction cups for all battery driven bathlifts		1
8	15344	Thrust washer for scissors Aquatec Beluga / Elan / Orca / Orca F / Orca XL		1
9	15415	Flat spring Aquatec Beluga / Orca / Orca F / Orca XL		1
10	16446	Gliding shoe Aquatec Orca / Orca F / Orca XL		1
11	16448	Bushing latch Aquatec Orca / Orca F / Orca XL		1
12	16449	Latch Aquatec Orca / Orca F / Orca XL		1
13	16455	Plug holder Aquatec Orca (w/o screws) / Orca F / Orca XL		1
14a	1470579	Bolt right Aquatec Orca / Orca XL		1
14b	1470580	Bolt left Aquatec Orca / Orca XL		1
15	15348	Screws phone jack, 40x22 Aquatec Orca, Orca F, Orca XL		1
16	16781	Lens head screw M5 x 30 Aquatec Orca / Orca F / Orca XL		1
17	16779	Nut for actuator fastening Aquatec Orca / Orca F / Orca XL		1

Spare Parts Orca from Mai 2015

Pos.	Part number	Description	Valid from → until	Qty
18	16778	Pipe clamp for actuator fastening Aquatec Orca / Orca F / Orca XL		1
19	16780	Washer A2 DIN 9021 Aquatec Orca		1
20	16793	Axle Aquatec Orca / Orca F / Orca XL		1
21	16791	Locking left Aquatec Orca / Orca XL		1
22	16792	Locking right Aquatec Orca / Orca XL		1
23	16794	Pressure spring for locking Aquatec Orca / Orca XL		1
24	16450	Pulley Aquatec Orca / Orca XL		1
25	16456	Retaining ring Aquatec Orca / Orca F / Orca XL		1
26	16782	Actuator Aquatec Orca		1
27	1471084	Battery charger for Aquatec Orca, Orca F, Orca XL		1
27	16581	charger UK Aquatec Orca		1
28	1470902	Hand control Aquatec Orca with integrated battery pack		1
29	15892	Sideflap with film hinge Aquatec Elan as of June/01, Beluga as of March/02, Orca, Orca F, Orca XL		1
30	15170	Set of height adaptors (set of 4 à 2cm) for all Aquatec battery driven bathlifts, incl. conversion kit for self-lifting suction cups in front		1
31	14694	Set of 4 ea. Height adaptors 2 cm for all Aquatec battery driven bathlifts		1
	15298	Conversion kit height adapters Aquatec Fortuna / Beluga / Elan / Orca / Orca F / Orca XL		1
	16804	lifting scissors Aquatec Orca		1



Pos.	Part number	Description	Valid from → until	Qty
	16451	Instruction manual Aquatec Orca, Orca F, Orca XL, german		1
	1470706	Instruction manual Aquatec Orca, Orca F, Orca XL, 8 languages		1
	1471017	Refresh kit Aquatec Orca - cover set, white		1
	15298	Conversion kit height adapters Aquatec Fortuna / Beluga / Elan / Orca / Orca F / Orca XL		1
	16606	Cover for seat Aquatec Orca / Orca F / Orca XL,		1
	1470765	Seat cover Aquatec Orca, blue <i>In Deutschland nicht erhältlich - Not available in Germany</i>		1
	16604	Cover for backrest Aquatec Orca / Orca F / Orca XL		1
	1470766	Backrest cover Aquatec Orca, blue <i>In Deutschland nicht erhältlich - Not available in Germany</i>		2
	1470576	Cover set Aquatec Orca: seat and backrest, white		1
	1470767	Cover set Aquatec Orca, blue (seat and backrest cover) <i>In Deutschland nicht erhältlich - Not available in Germany</i>		1
3	15072	Suctions cups with toggle, set of two self-releasing		1
4	15071	Pair of suction cups for all battery driven bathlifts		1
3+4	15353	Suction cups for all battery driven bathlifts		1
	16240AQT	Suction cup 130 mm, black for all battery driven bathlifters		1
5	16679	Bolt d10, Aquatec Orca, Orca F		1
6	15105	Bolt for gliding shoe Aquatec Beluga / Elan / Elan 550 / Orca / Orca F / Orca XL		1
7	15121	Cap for suction cups for all battery driven bathlifts		1
8	15344	Thrust washer for scissors Aquatec Beluga / Elan / Orca / Orca F / Orca XL		1
9	15415	Flat spring Aquatec Beluga / Orca / Orca F / Orca XL		1
1	1580158	Replacement Kit for Orca until Mai 2015/ Backrest, Seat + 2 Bolts for Backrest		1
10	16446	Gliding shoe Aquatec Orca / Orca F / Orca XL		1
11	16448	Bushing latch Aquatec Orca / Orca F / Orca XL		1
12	16449	Latch Aquatec Orca / Orca F / Orca XL		1
13	16455	Plug holder Aquatec Orca (w/o screws) / Orca F / Orca XL		1
14a	1470579	Bolt right Aquatec Orca / Orca XL		1
14b	1470580	Bolt left Aquatec Orca / Orca XL		1

Spare parts

Pos.	Part number	Description	Valid from → until	Qty
15	15348	Screws phone jack, 40x22 Aquatec Orca, Orca F, Orca XL		1
16	16781	Lens head screw M5 x 30 Aquatec Orca / Orca F / Orca XL		1
17	16779	Nut for actuator fastening Aquatec Orca / Orca F / Orca XL		1
18	16778	Pipe clamp for actuator fastening Aquatec Orca / Orca F / Orca XL		1
19	16780	Washer A2 DIN 9021 Aquatec Orca		1
20	16793	Axle Aquatec Orca / Orca F / Orca XL		1
21	16791	Locking left Aquatec Orca / Orca XL		1
22	16792	Locking right Aquatec Orca / Orca XL		1
23	16794	Pressure spring for locking Aquatec Orca / Orca XL		1
24	16450	Pulley Aquatec Orca / Orca XL		1
25	16456	Retaining ring Aquatec Orca / Orca F / Orca XL		1
26	16782	Actuator Aquatec Orca		1
27	1471084	Battery charger for Aquatec Orca, Orca F, Orca XL <i>Not for UK!</i>		1
27	16581	charger UK Aquatec Orca <i>Only UK!</i>		1
28	1470902	Hand control Aquatec Orca with integrated battery pack		1
29	15892	Sideflap with film hinge Aquatec Elan as of June/01, Beluga as of March/02, Orca, Orca F, Orca XL		1
30	15170	Set of height adaptors (set of 4 à 2cm) for all Aquatec battery driven bathlifts, incl. conversion kit for self-lifting suction cups in front		1
31	14694	Set of 4 ea. Height adaptors 2 cm for all Aquatec battery driven bathlifts <i>4 cm = 1 x 14694, 6 cm = 2 x 14694</i>		1
	16804	lifting scissors Aquatec Orca		1
2	16441	Base plate Orca		1



Pos.	Part number	Description	Valid from → until	Qty
1	1471623	reclining special backrest for Aquatec Orca until May 2015, white		1
1	1471630	reclining special backrest for Aquatec Orca until May 2015, blue		1
1	1582722	Reclining special backrest white for Aquatec Orca from May 2015		1
1	1582723	Reclining special backrest blue for Aquatec Orca from May 2015		1
1	1471567	Cover blue for the special reclining backrest		1
1	1471568	Cover white for the special reclining backrest		1
2	15461	Head support white, adjustable AQUATEC FORTUNA / BELUGA / ORCA / ORCA F / ORCA XL		1
3	1471606	Special sideflap, incl. 3 clips (per sideflap), for Aquatec Orca, Orca F		1
4	1471209	Chest belt for Aquatec Orca / Orca XL		1
5	15170	Set of height adaptors (set of 4 à 2cm) for all Aquatec battery driven bathlifts, incl. conversion kit for self-lifting suction cups in front		1
5	14694	Set of 4 ea. Height adaptors 2 cm for all Aquatec battery driven bathlifts		1
6	1528702	belt Orca, new Bodypoint		1
7	15309	Sideflap diverter		1
8	14586AQT	Carrier bag for all aquatec battery driven bathlifts		1
9	1525932	Pommel for Aquatec bathlifters - 7 cm		1
9	1525933	Pommel for Aquatec bathlifters - 12 cm		1



Yes, you can.®



Belgium & Luxemburg:

Invacare nv, Autobaan 22, B-8210 Loppem
Tel: (32) (0)50 83 10 10, Fax: (32) (0)50 83 10 11
belgium@invacare.com / www.invacare.be

Denmark:

Invacare A/S, Sdr. Ringvej 37, DK-2605 Brøndby
Tel: (45) (0)36 90 00 00, Fax: (45) (0)36 90 00 01
denmark@invacare.com / www.invacare.dk

Deutschland:

Invacare Aquatec GmbH, Alemannenstraße 10, D-88316 Isny
Tel: (49) (0)75 62 7 00 0, Fax: (49) (0)75 62 7 00 66
info@invacare-aquatec.com / www.invacare-aquatec.de

European Distributor Organisation:

Invacare, Kleiststraße 49, D-32457 Porta Westfalica
Tel: (49) (0)57 31 754 540, Fax: (49) (0)57 31 754 541
edo@invacare.com / www.invacare.eu.com

España:

Invacare SA, c/Areny s/n, Polígon Industrial de Celrà, E-17460 Celrà (Girona)
Tel: (34) (0)972 49 32 00, Fax: (34) (0)972 49 32 20
contactsp@invacare.com / www.invacare.es

France:

Invacare Poirier SAS, Route de St Roch, F-37230 Fondettes
Tel: (33) (0)2 47 62 64 66, Fax: (33) (0)2 47 42 12 24
contactfr@invacare.com / www.invacare.fr

Ireland:

Invacare Ireland Ltd, Unit 5 Seatown Business Campus, Seatown Road, Swords, County Dublin - Ireland
Tel: (353) 1 810 7084, Fax: (353) 1 810 7085
ireland@invacare.com / www.invacare.ie

Italia:

Invacare Mecc San s.r.l., Via dei Pini 62, I-36016 Thiene (VI)
Tel: (39) 0445 38 00 59, Fax: (39) 0445 38 00 34
italia@invacare.com / www.invacare.it

Nederland:

Invacare BV, Celsiusstraat 46, NL-6716 BZ Ede
Tel: (31) (0)318 695 757, Fax: (31) (0)318 695 758
nederland@invacare.com, csede@invacare.com / www.invacare.nl

Norge:

Invacare AS, Grensesvingen 9, Postboks 6230, Etterstad, N-0603 Oslo
Tel: (47) (0)22 57 95 00, Fax: (47) (0)22 57 95 01
norway@invacare.com, island@invacare.com / www.invacare.no

Österreich:

Invacare Austria GmbH, Herzog Odilostrasse 101, A-5310 Mondsee
Tel: (43) 6232 5535 0, Fax: (43) 6232 5535 4
info-austria@invacare.com / www.invacare.at

Portugal:

Invacare Lda, Rua Estrada Velha, 949, P-4465-784 Leça do Balio
Tel: (351) (0)225 1059 46/47, Fax: (351) (0)225 1057 39
portugal@invacare.com / www.invacare.pt

Sverige & Suomi:

Invacare AB, Fagerstagatan 9, S-163 91 Spånga
Tel: (46) (0)8 761 70 90, Fax: (46) (0)8 761 81 08
sweden@invacare.com, finland@invacare.com / www.invacare.se

Switzerland:

Invacare AG, Benkenstrasse 260, CH-4108 Witterswil
Tel: (41) (0)61 487 70 80, Fax: (41) (0)61 487 70 81
switzerland@invacare.com / www.invacare.ch

United Kingdom:

Invacare Limited, Pencoed Technology Park, Pencoed, Bridgend CF35 5AQ
Switchboard Tel: (44) (0)1656 776200, Fax: (44) (0)1656 776201
Customer services Tel: (44) (0)1656 776222, Fax: (44) (0)1656 776220
uk@invacare.com / www.invacare.co.uk