

PARTS MANUAL

NXT™

Generation NEXT



Pediatric, Pediatric SE, & Adult

Folding & Rigid Tilt Wheelchair



FREEDOM DESIGNS, INC.

CE

2241 N. Madera Rd. Simi Valley, CA 93065 • (800) 331-8551 • FAX (888) 582-1509
www.freedomdesigns.com

Our kids are our passion.™

06232011

Terms & Conditions

Dealer Accounts & Terms

A Freedom Designs, Inc. dealer application must be completed and approved before an account can be established. Freedom Designs standard terms for open accounts are net 30 days, unless other terms are agreed upon. Completed orders will not be shipped and new orders will not be processed on accounts with outstanding balances over 60 days.

Ordering

Orders may be placed over the telephone, by fax, mailed or e-mailed into the Customer Service Department. Measurement forms are provided in the catalog to assist in ordering. Phone orders must be followed up with a hard copy confirming P.O. For any questions, please call Customer Service.

Published Prices

Prices are subject to change without prior notice.

Price Quotes

If requested, Customer Service will provide a written quote for products. Written quotes will be valid for 60 days.

Shipping

All Freedom Designs, Inc. products are shipped ground, FOB Simi Valley. Freight charges on factory installs may apply on wheelchairs not manufactured by Freedom Designs, Inc. For requests of special handling or exceptional freight, up-charges will be billed.

Returns

All returns must have a Return Authorization Number on the box and must be shipped freight pre-paid. Product received without a valid R.A. # will be refused. The R.A. # must be obtained from the Customer Service Department. All returns MUST be received in the factory within 45 days of issuance of the R.A. #. Returns are subject to examination at the discretion of Freedom Designs, Inc. Returns may be subject to a 25% restocking fee. Custom fabricated products may not be returned.

Cancellations

Prior to canceling an order, a valid cancellation number must be obtained from Freedom Designs Customer Service Department. Restocking charges will occur on orders in progress and will be assessed based on the stage of completion. Custom fabricated products will be charged at 100%.

Errors & Omissions

All Freedom Designs products are quality controlled prior to shipping. However, should there be a problem, it must be reported to Customer Service within three weeks of receipt of order for resolution.

Liability

Freedom Designs, Inc. is not responsible for any product used incorrectly or with the wrong application. We recommend that positioning products be used in conjunction with a team of professionals that have been involved with the evaluation of the client. Freedom Designs, Inc. is responsible for any product that is defective in manufacturing or that was made in error by Freedom Designs, Inc.

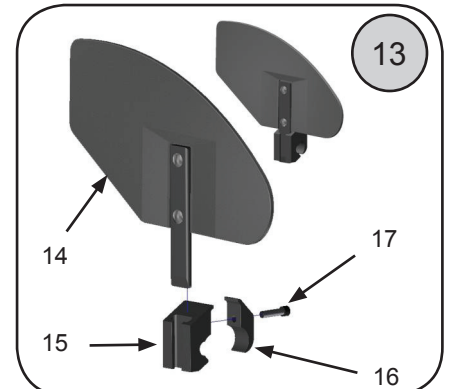
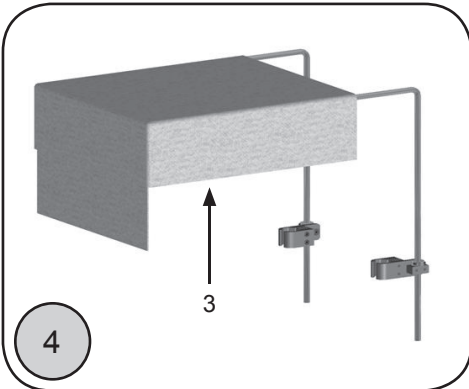
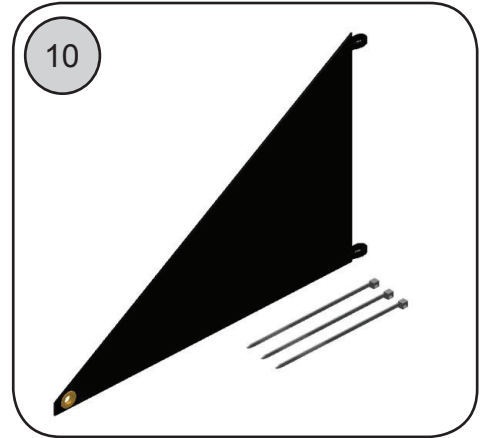
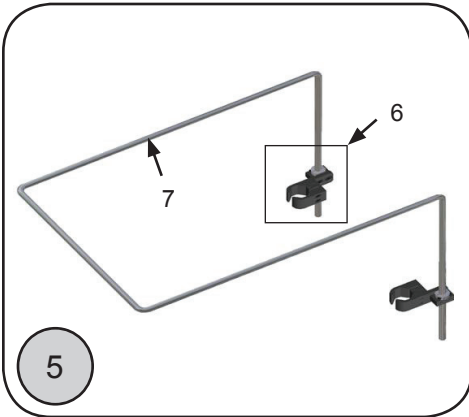
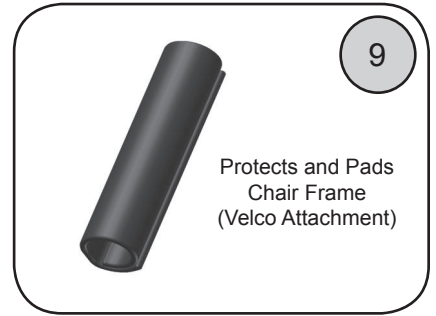
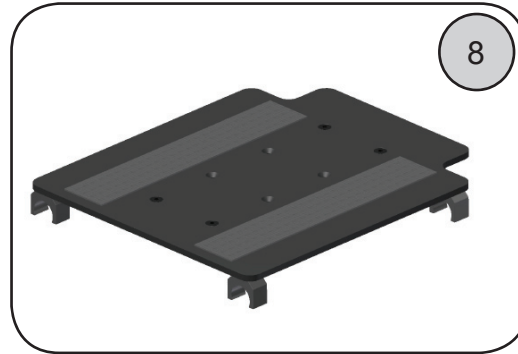
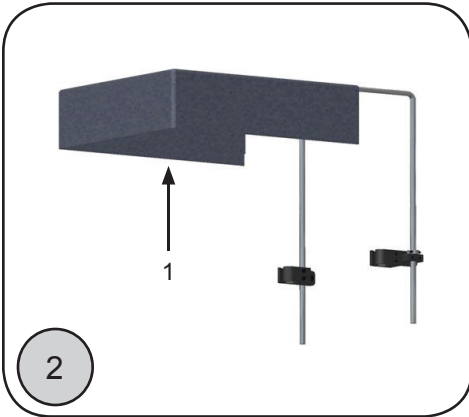
Hours of Business

<i>Customer Service:</i>	<i>Monday through Friday 6:00 a.m. to 5:00 p.m. PST</i>
<i>Message Center:</i>	<i>Available when factory is closed</i>
<i>FAX Line:</i>	<i>Available 24 hours a day, 7 days a week</i>

Table of Contents

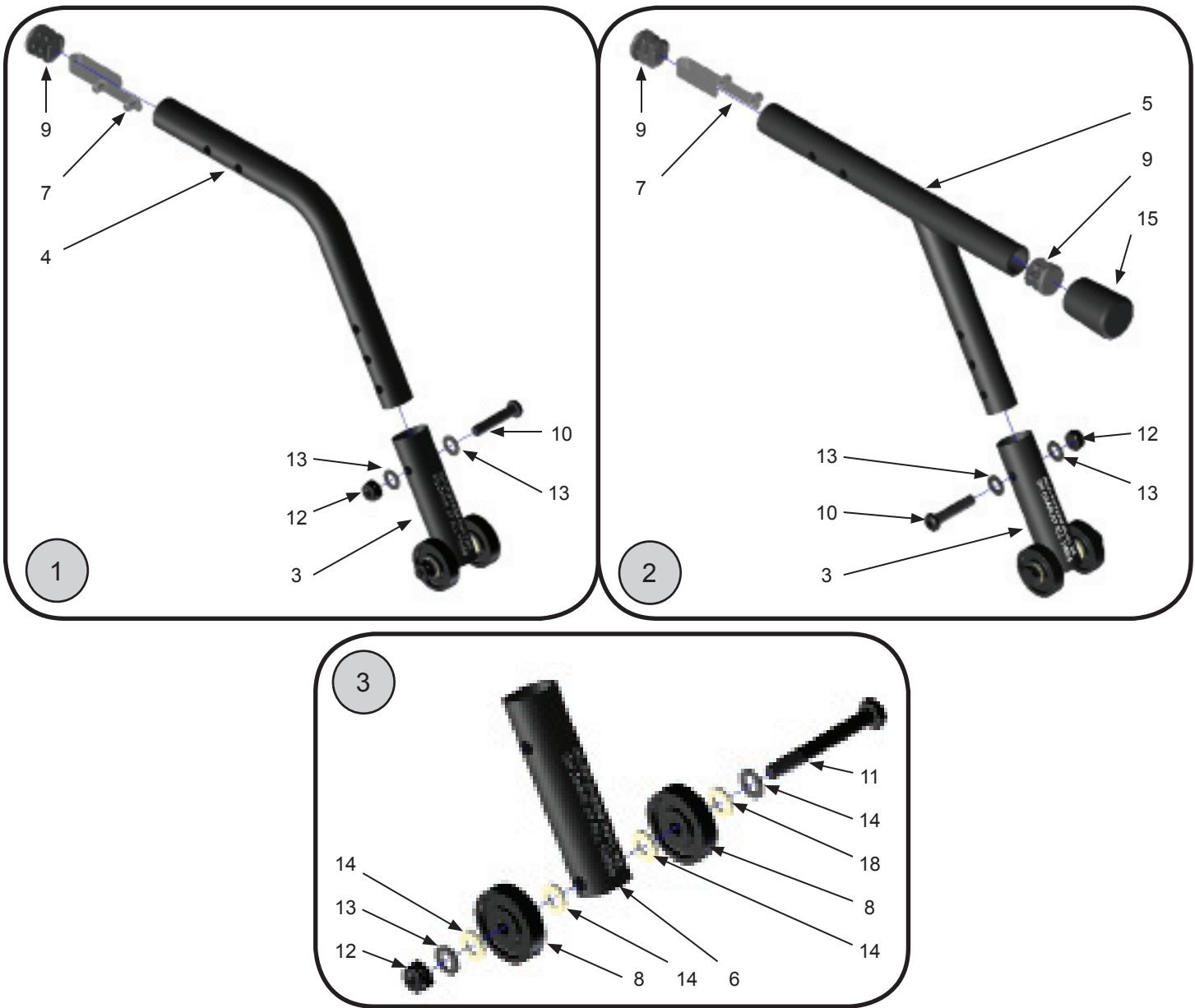
Components	Page
Accessories	2
Anti-tippers (Flip-up and Flip up with Leverage Bar)	3
Armrests	4-9
Flip Back & Locking	4
Flip Back - Telescoping	5
Adjustable Height	6
Adjustable Height—Pediatric	7
Dual Post Fixed Height Removable	8
Dual Post Flip Back Height Adjustable	9
Axles	10
Back Canes	11
Caster Components	12-14
Caster Forks	12
Caster Wheels	13
Cross Braces - Folding	14
Cross Bars - Rigid	15
Freedom Future Fit Growth Kit	16
Footrests	17-19
Composite Flip-up	17
Flip-up	18
Footrest, Footboards	19
Frames	20-21
Base and Seat Frames	20
Frame Growth Kit	21
Footrest Hangers	22-26
Hanger Retrofit Kit	22
Latch Style Hangers	23
Pop-Up Hangers	24
High Mount Footplate Brackets	25
Elevating Legrest - Pop-up	26
Tilt Mechanisms, Cables & Cable Releases	27
Wheel Locks	28-29
Foot Actuated Wheel Locks	28
Standard Wheel Locks	29
Wheels	30-31
Wheel Assemblies	30
Wheel Options	31
Limited Warranty	32

Accessories



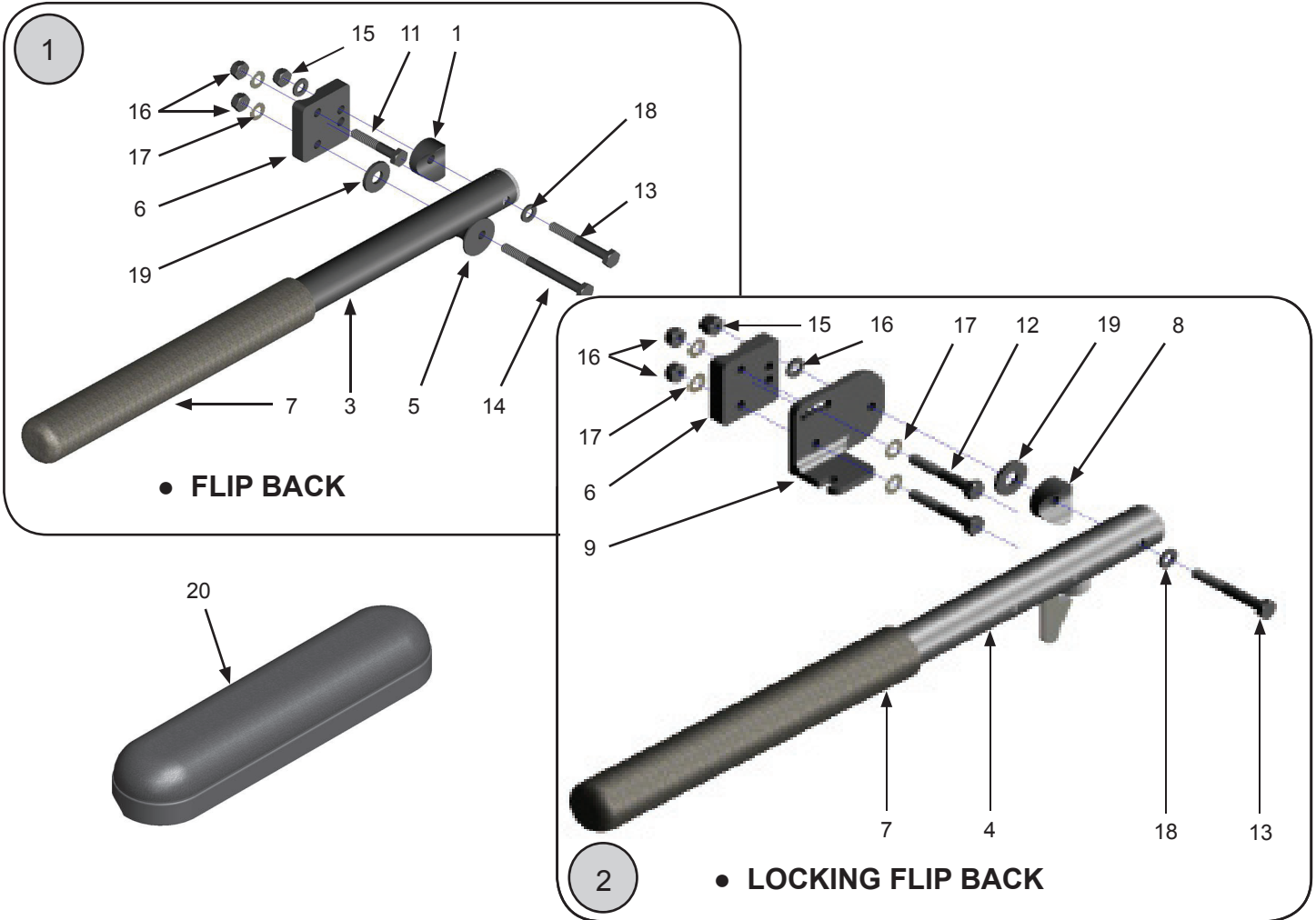
No.	PART #	DESCRIPTION	QTY	No.	PART #	DESCRIPTION	QTY
1	10710	Canopy Fabric	1 ea.		7000-2	Fabric Clothing Guard Assemblies	1 pr.
②	10712	Canopy Fabric / Frame and Clamps	1 ea.	11	7001	Fabric Clothing Guard Panel	1 ea.
3	10713	Canopy Fabric / Visor	1 ea.	12	7002	Zip Ties	1 ea.
④	10714	Canopy Fab / Visor, Frame & Clamps	1 ea.	⑬	7006-2	Clamp On Clothing Guard Assemblies	1 pr.
⑤	10715	Canopy Frame / Clamps	1 ea.	14	7006-L	Clamp On Clothing Guard Assy—Left	1 ea.
6	10716	Canopy Hardware	1 ea.		7006-R	Clamp On Clothing Guard Assy—Right	1 ea.
7	10717	Canopy Frame	1 ea.	15	7004	Receiver Clamp	1 ea.
⑧	10909	Seat Pan - Quick Release	1 ea.	16	7005	Inner Clamp	1 ea.
⑨	10911-2	Frame Pads	1 pr.	17	9061	Screw, 1/4-20 x 1" Socket Head	1 ea.
⑩	7000-1	Fabric Clothing Guard	1 ea.				

Anti-tips—Flip-up & Flip-up with Curb Assist



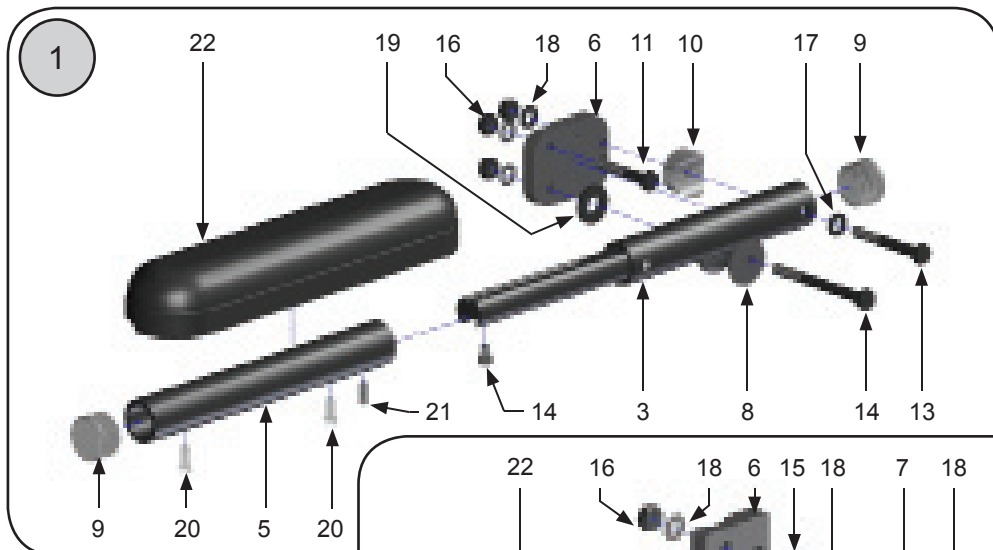
No.	PART #	DESCRIPTION	QTY	No.	PART #	DESCRIPTION	QTY
①	18131-L	Anti-Tip Assembly—Complete/curb assist, Left	1 ea.	7	17004	Dual Snap Button	1 ea.
	18131-R	Anti-Tip Assembly—Complete, Right	1 ea.	8	9009A	Roller	1 ea.
	18131-2	Anti-Tip Assemblies—Complete	1 pr.	9	3099	Tube Plug, 3/4"	1 ea.
②	18132	Anti-Tip/Curb Assist Assembly—Complete, Lt	1 ea.	10	9034	Screw, 1/4-20 X 1-1/4" Button Head	1 ea.
③	8001-L	Anti-Tip Roller Assembly—Left	1 ea.	11	9023	Screw, 1/4-20 X 2" Hex Head	1 ea.
	8001-R	Anti-Tip Roller Assembly—Right	1 ea.	12	9073	Locknut, 1/4-20 Nylon—Thin	1 ea.
	8001-2	Anti-Tip Roller Assemblies	1 pr.	13	9074	Washer, 1/4" Flat	1 ea.
4	18133-1	Anti-Tip Lever Tube	1 ea.	14	9010	Washer, 1/4" Nylon	1 ea.
5	18134-1	Anti-Tip Lever /Leverage Tube	1 ea.	15	18135-1	Foot Knob	1 ea.
6	8007	Anti-Tip Extension	1 ea.				

Armrests—Flip Back

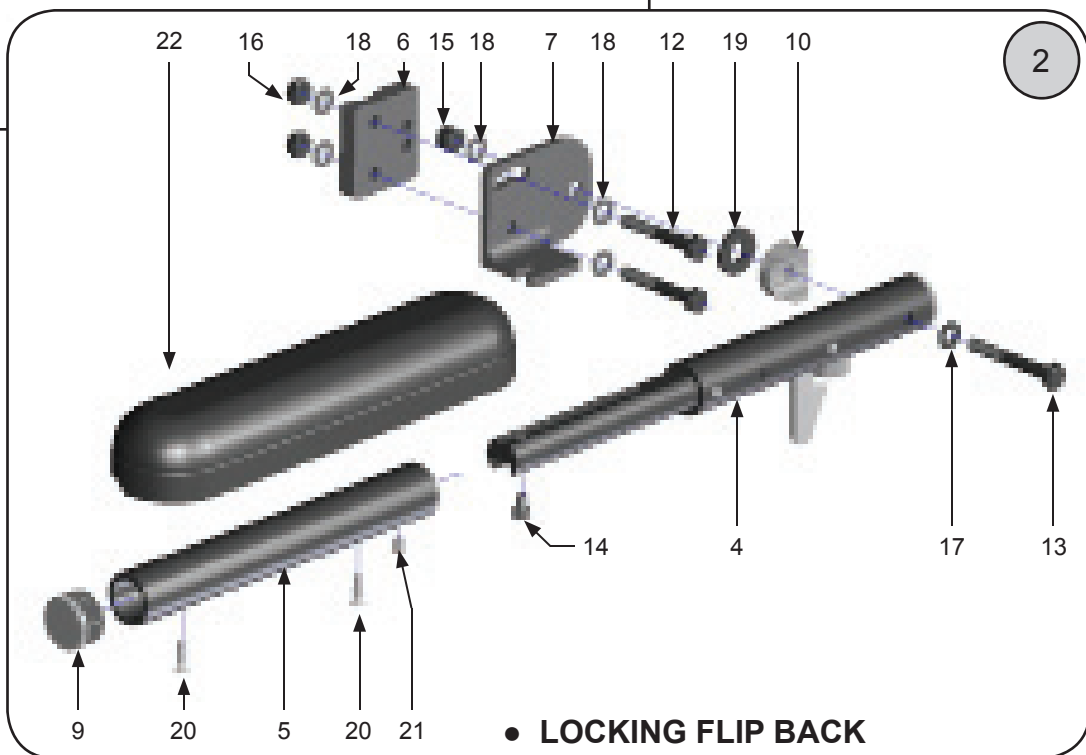


No.	PART #	DESCRIPTION	QTY	No.	PART #	DESCRIPTION	QTY
①	10721-L	Flip Back Armrest Assy—Left—16"	1 ea.	7	5021	Foam Pad—4 1/2"	1 ea.
	10721-R	Flip Back Armrest Assy—Right—16"	1 ea.		5022	Foam Pad—9 1/2"	1 ea.
	10721-2	Flip Back Armrest Assemblies—16"	1 pr.	8	9005	Plastic Saddle, 1"	1 ea.
	10721-PL	Flip Back Armrest Assy—Left—13"	1 ea.	9	6004-L	Adjustment Plate—Left	1 ea.
	10721-PR	Flip Back Armrest Assy—Right—13"	1 ea.		6004-R	Adjustment Plate—Right	1 ea.
	10721-P-2	Flip Back Armrest Assemblies—13"	1 pr.		6004-2	Adjustment Plates—Left & Right	1 pr.
②	10751-L	Locking Armrest Assy—Left—16"	1 ea.	10	9000	Tube Plug, 1"	1 ea.
	10751-R	Locking Armrest Assy—Right—16"	1 ea.	11	9021	Screw, 1/4-20 x 1 1/2" Hex Head	1 ea.
	10751-2	Locking Armrest Assemblies—16"	1 pr.	12	9022	Screw, 1/4-20 x 1 3/4" Hex Head	1 ea.
	10751-PL	Locking Armrest Assy—Left—13"	1 ea.	13	9023	Screw, 1/4-20 x 2" Hex Head	1 ea.
	10751-PR	Locking Armrest Assy—Right—13"	1 ea.	14	9026	Screw, 1/4-20 x 2 3/4" Hex Head	1 ea.
	10751-P-2	Locking Armrest Assemblies—13"	1 pr.	15	9072	Locknut, 1/4-20 Nylon	1 ea.
3	10722	Flip Back Tube (no hardware) - 16"	1 ea.	16	9073	Locknut, 1/4-20 Nylon - Thin	1 ea.
	10722-P	Flip Back Tube (no hardware) - 13"	1 ea.	17	9074	Washer, 1/4" Flat	1 ea.
4	10754	Locking Arm Tube Assembly—16"	1 ea.	18	9075	Washer, 1/4" Flat—Thin	1 ea.
	10754-P	Locking Arm Tube Assembly—13"	1 ea.	19	9089	Washer, 5/16" Flat	1 ea.
5	6012	Flip Back Armrest Barrel	1 ea.	20	10913	Desk Length Arm Pad—9 1/4" Long	1 ea.
6	6014	Mounting Plate	1 ea.		10916	Full Length Arm Pad—13 1/4" Long	1 ea.

Armrests—Flip Back, Telescoping



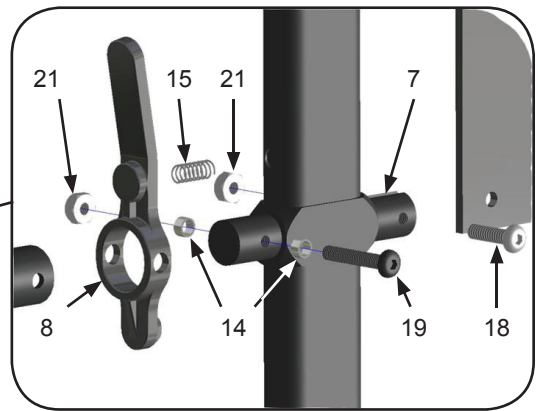
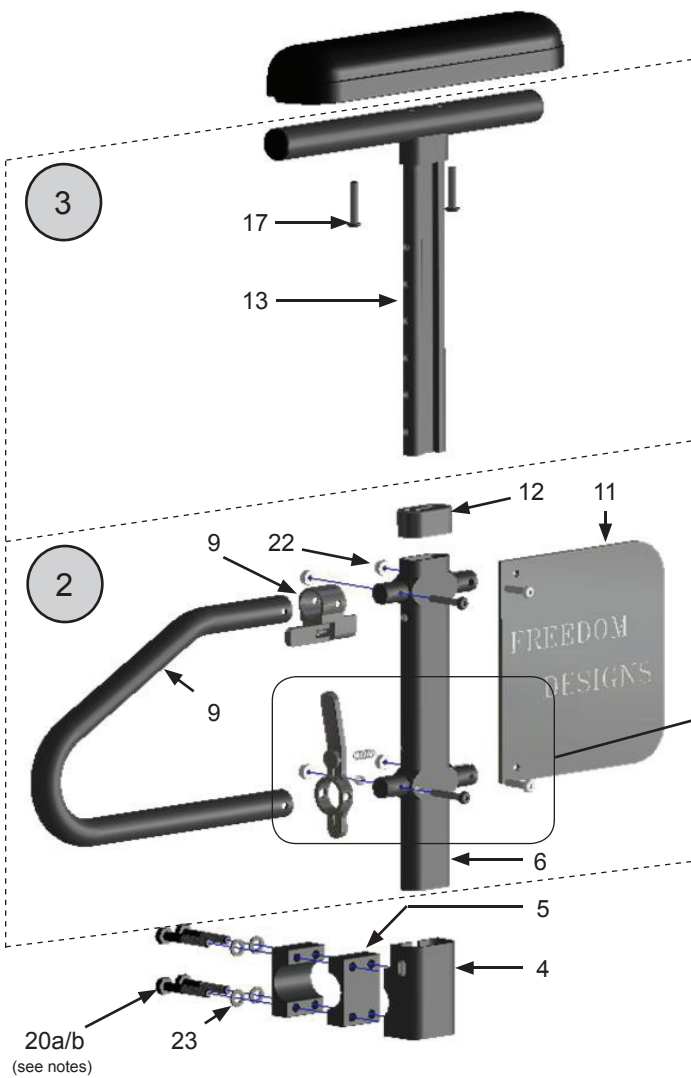
● FLIP BACK



● LOCKING FLIP BACK

No.	PART #	DESCRIPTION	QTY	No.	PART #	DESCRIPTION	QTY
①	18143-2	Flip Back Telescoping Arm - Left	1 ea.	10	9005	Plastic Saddle, 1"	1 ea.
	18143-R	Flip Back Telescoping Arm - Right	1 ea.	11	9021	Screw, 1/4-20 x 1 1/2" Hex Head	1 ea.
	18143-2	Flip Back Telescoping Arms	1 pr.	12	9022	Screw, 1/4-20 x 1 3/4" Hex Head	1 ea.
②	18140-L	Locking Flip Back Telescoping Arm - Left	1 ea.	13	9023	Screw, 1/4-20 x 2" Hex Head	1 ea.
	18140-R	Locking Flip Back Telescoping Arm - Right	1 ea.	14	9070A	Screw, 10-32 x 1/4" Socket Head	1 ea.
	18140-2	Locking Flip Back Telescoping Arms	1 pr.	15	9072	Locknut, 1/4-20 Nylon	1 ea.
3	18144	Locking Insert/Locking Assembly, Flip Back	1 ea.	16	9073	Locknut, 1/4-20 Nylon - Thin	1 ea.
4	18141	Locking Insert/Locking Assembly, Locking	1 ea.	17	9074	Washer, 1/4" Flat	1 ea.
5	18142	Adjust. Locking Armrest Tube Assy, Locking	1 ea.	18	9075	Washer, 1/4" Flat—Thin	1 ea.
6	6014	Mounting Plate	1 ea.	19	9089	Washer, 5/16" Flat	1 ea.
7	6004-L	Adjustment Plate - Left	1 ea.	20	10006	Screw, 10-32 x 3/8" Phillips Pan Head	1 ea.
	6004-R	Adjustment Plate - Right	1 ea.	21	10007	Set Screw, 10-32 x 1/2" Dog Point	1 ea.
8	6012	Flip Back Armrest Barrel	1 ea.	22	10913	Desk Length Arm Pad—9 1/4" Long	1 ea.
9	9000	Tube Plug, 1"	1 ea.				

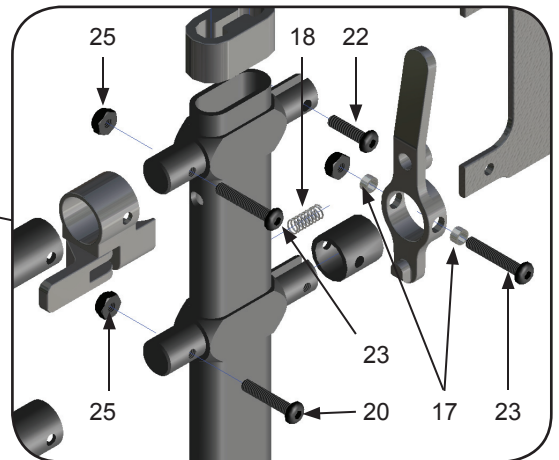
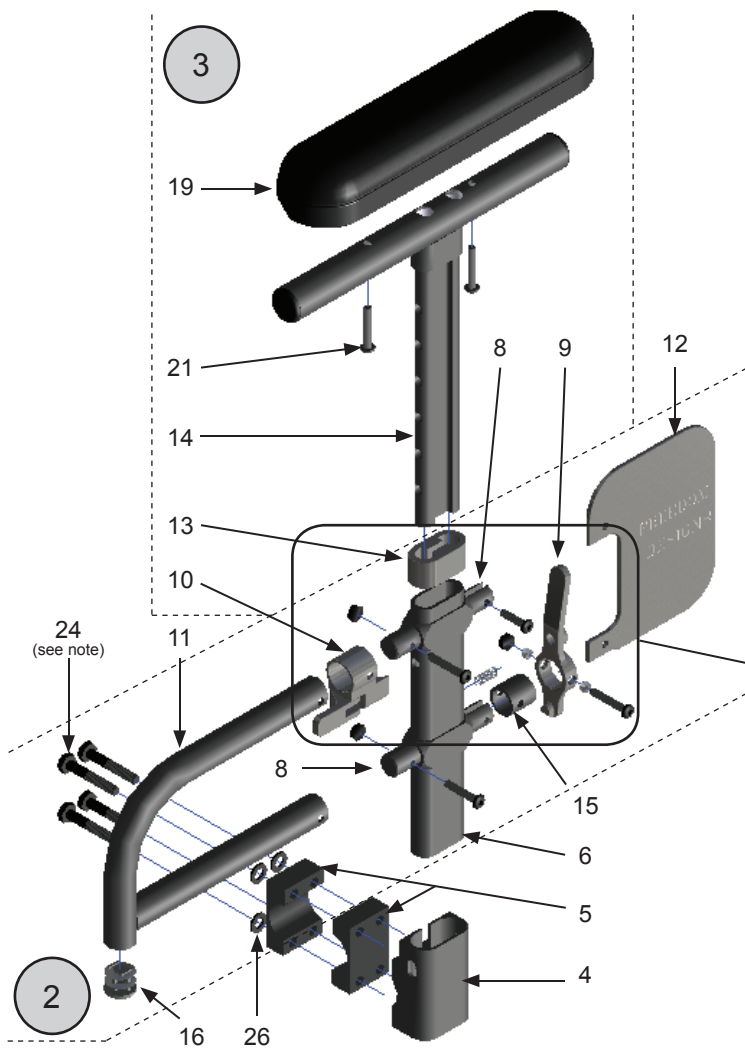
Armrest—Adjustable Height, Standard



STANDARD SEAT WIDTH REQUIRES (1) INNER CLAMP (ITEM 5) AND USES 1-1/4" LONG MOUNTING SCREW (ITEM 20a) EXTENDED SEAT WIDTH REQUIRES (2) INNER CLAMPS AS SHOWN AND USES 1-1/2" LONG MOUNTING SCREWS (ITEM 20b)

No.	PART #	DESCRIPTION	QTY	No.	PART #	DESCRIPTION	QTY
①	10756-L	T-Arm Assembly—Complete, Left	1 ea.	10	10766-STD	Front Tube—Standard	1 ea.
	10756-R	T-Arm Assembly—Complete, Right	1 ea.		10766-SH	Front Tube—Short	1 ea.
	10756-2	T-Arm Assemblies—Comp., Lt & Rt	1 pr.	11	10767	Panel - Adult, T-Arm	1 ea.
②	10757-L	Lower T-Arm Assembly—Left	1 ea.	12	10768	Receiver Tube Cap	1 ea.
	10757-R	Lower T-Arm Assembly—Right	1 ea.	13	10769	Height Adjust Post	1 ea.
	10757-2	Lower T-Arm Assemblies—Lt & Rt	1 pr.	14	9039	Spacer Bushing, T-Arm	1 ea.
③	10758-L	Upper T-Arm Assembly—Left	1 ea.	15	9040	Spring, T-Arm	1 ea.
	10758-R	Upper T-Arm Assembly—Right	1 ea.	16	10913	Arm Pad, Desk Style - 9 1/4" Long	1 ea.
	10758-2	Upper T-Arm Assemblies—Lt & Rt	1 pr.		10916	Arm Pad, Full Length - 13 1/4" Long	1 ea.
4	10759	Receiver Socket, T-ARm	1 ea.	17	9016	Screw, 10-32 X 1 1/4" Pan Head	1 ea.
5	10760	Receiver Frame Clamp, T-Arm	1 ea.	18	9057	Screw, 10-32 X 3/4" Button Head	1 ea.
6	10761	Receiver Tube, T-ARm	1 ea.	19	9070	Screw, 10-32 X 1 1/4" Button Head	1 ea.
7	10763	Receiver Tube Clamp, T-Arm	1 ea.	20a	9020	Screw, 1/4-20 X 1 1/4" Hex Head	1 ea.
8	10764	Frame Release Lever, T-Arm	1 ea.	20b	9021	Screw, 1/4-20 X 1 1/2" Hex Head	1 ea.
9	10765-L	Height Release Assembly—Left	1 ea.	21	9086	Locknut, 10-32 Nylon	1 ea.
	10765-R	Height Release Assembly—Right	1 ea.	22	9074	Washer, 1/4" Flat	1 ea.

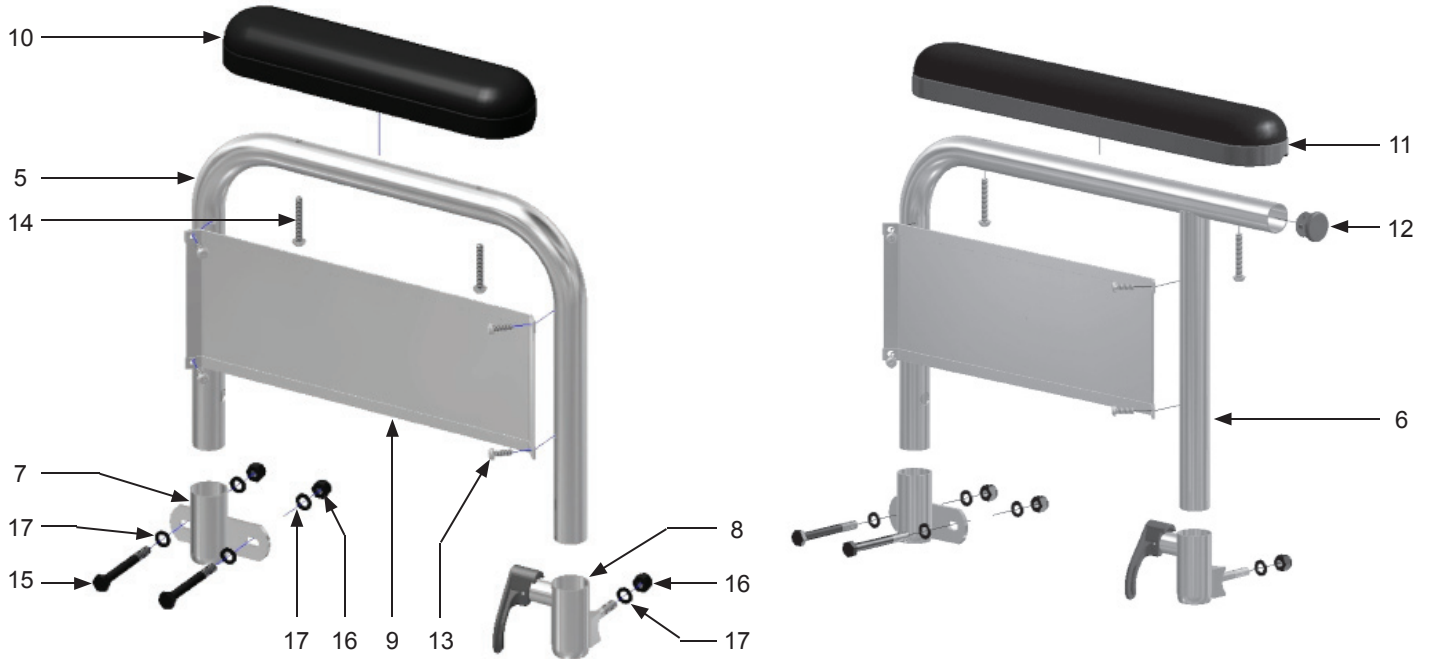
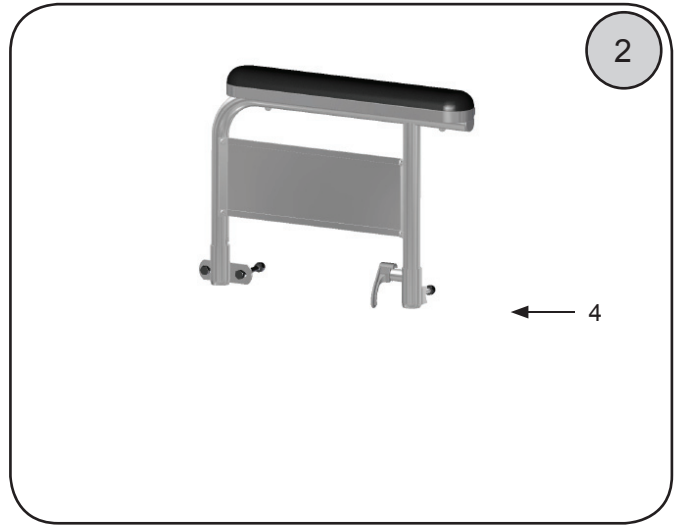
Armrest—Adjustable Height, Pediatric



STANDARD SEAT WIDTH REQUIRES (1) INNER CLAMP (ITEM 5) AND USES 1-1/4" LONG MOUNTING SCREW (ITEM 24a)
 EXTENDED SEAT WIDTH REQUIRES (2) INNER CLAMPS AS SHOWN AND USES 1-1/2" LONG MOUNTING SCREWS (ITEM 24b)

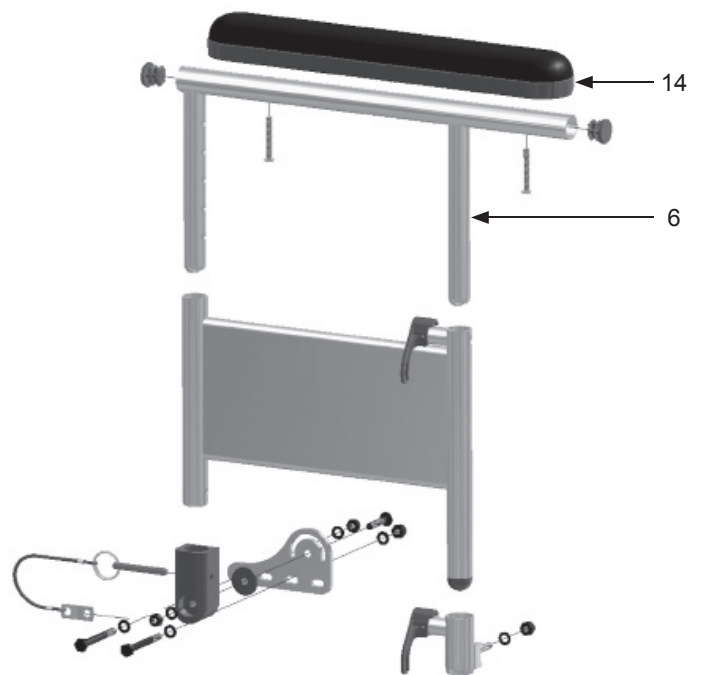
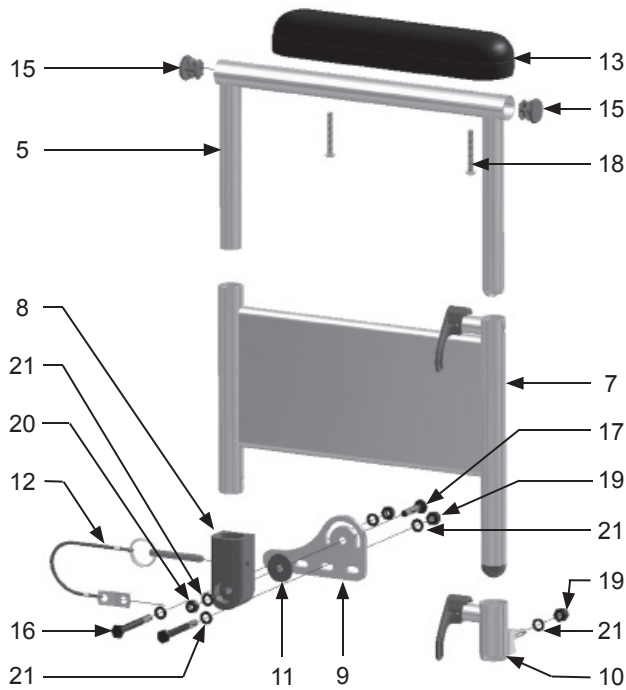
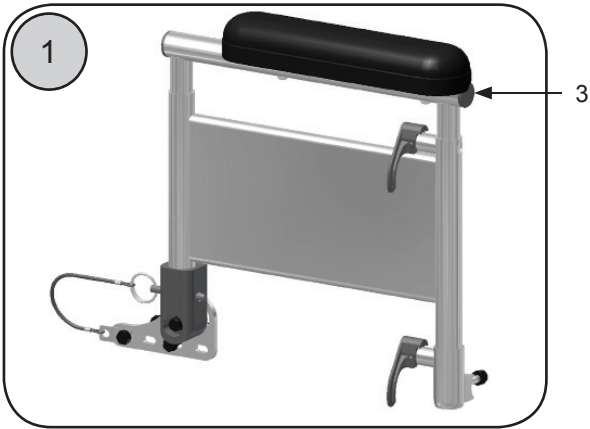
No.	PART #	DESCRIPTION	QTY	No.	PART #	DESCRIPTION	QTY
①	10780-L	T-Arm Assembly, Ped. Complete—Left.	1 ea.	11	10766-P	Front Tube—Pediatric	1 ea.
	10780-R	T-Arm Assembly, Ped. Complete—Right.	1 ea.	12	10783	Panel, Pediatric T-Arm	1 ea.
	10780-2	T-Arm Assemblies, Ped. Cmpmt.—Lt & Rt	1 pr.	13	10768	Receiver Tube Cap	1 ea.
②	10781-L	Lower T-Arm Assembly, Ped.—Left.	1 ea.	14	10769-P	Height Adjust Post, Pediatric	1 ea.
	10781-R	Lower T-Arm Assembly, Ped.—Right.	1 ea.	15	10784	Spacer Tube, Pediatric T-Arm	1 ea.
	10781-2	Lower T-Arm Assemblies, Ped.—Lt & Rt	1 pr.	16	3099	Tube Plug, 3/4"	1 ea.
③	10782-L	Upper T-Arm Assembly, Ped.—Left	1 ea.	17	9039	Spacer Bushing, T-Arm	1 ea.
	10782-R	Upper T-Arm Assembly, Ped.—Right	1 ea.	18	9040	Spring, T-Arm	1 ea.
	10782-2	Upper T-Arm Assemblies, Ped.—Lt & Rt	1 pr.	19	10913	Desk Style Arm Pad	1 ea.
4	10759	Receiver Socket, T-Arm	1 ea.	20	9102	Screw, 10-32 x 1" Button Head	1 ea.
5	10760	Receiver Frame Clamp, T-Arm	1 ea.	21	9016	Screw, 10-32 x 1 1/4" Phillips Pan Head	1 ea.
6	10761-P	Receiver Tube, T-Arm	1 ea.	22	9057	Screw, 10-32 x 3/4" Button Head	1 ea.
7	10763	Receiver Tube Clamp, T-Arm	1 ea.	23	9070	Screw, 10-32 x 1 1/4" Button Head	1 ea.
8	10764	Frame Release Lever, T-Arm	1 ea.	24a	9020	Screw, 1/4-20 x 1 1/4" Hex Head	1 ea.
9	10765-L	Height Release Assembly—Left	1 ea.	24b	9021	Screw, 1/4-20 x 1 1/2" Hex Head	1 ea.
	10765-R	Height Release Assembly—Right	1 ea.	25	9086	Locknut, 10-32 Nylon	1 ea.
	10765-2	Height Release Assemblies—Lt. & Rt.	1 pr.	26	9074	Washer, 1/4" Flat	1 ea.

Armrest—Dual Post Fixed Height



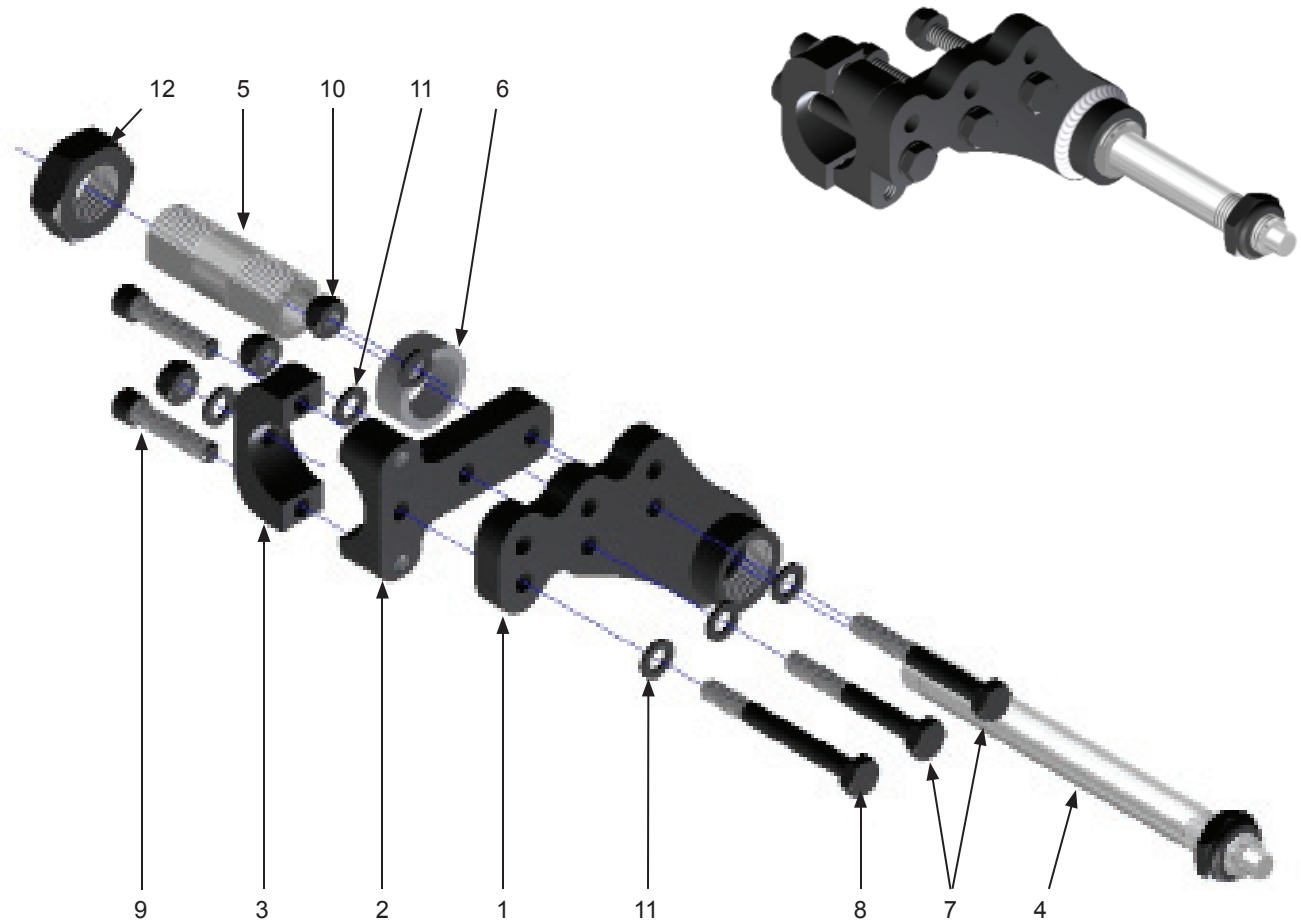
No.	PART #	DESCRIPTION	QTY	No.	PART #	DESCRIPTION	QTY
①	18101-L	Dual Post Fixed Hgt. Assembly, Desk - Lt	1 ea.		18106-R	Dual Post Arm Tube, Full Length - Right	1 ea.
	18101-R	Dual Post Fixed Hgt. Assembly, Desk - Rt	1 ea.	7	18087-1	Dual Post Rear Arm Receiver	1 ea.
	18101-2	Dual Post Fixed Height Assemblies, Desk	1 pr.	8	18107-L	Dual Post Front Receiver - Left	1 ea.
②	18102-L	Dual Post Fixed Hgt. Assembly, Full - Lt	1 ea.		18107-R	Dual Post Front Receiver - Right	1 ea.
	18102-R	Dual Post Fixed Hgt. Assembly, Full - Rt	1 ea.	9	18108-1	Clothing Guard Panel	1 ea.
	18102-2	Dual Post Fixed Height Assemblies, Full	1 pr.	10	10913	Arm Pad - Desk Length	1 ea.
3	18103-L	Dual Post Fixed Hgt Desk Arm Assy - Lt	1 ea.	11	10916	Arm Pad - Full Length	1 ea.
	18103-R	Dual Post Fixed Hgt Desk Arm Assy - Rt	1 ea.	12	9000	Tube Plug, 1"	1 ea.
	18103-2	Dual Post Fixed Hgt Desk Arm Assemblies	1 pr.	13	9105	Screw, 8-32 x 3/8" Phillips Pan Head	1 ea.
4	18104-L	Dual Post Fixed Hgt Full Arm Assy - Lt	1 ea.	14	9106	Screw, 10-32 x 1 1/4" Phillips Pan Head	1 ea.
	18104-R	Dual Post Fixed Hgt Full Arm Assy - Rt	1 ea.	15	9024	Screw - 1/4-20 x 2 1/4" Hex Head	1 ea.
	18104-2	Dual Post Fixed Hgt Full Arm Assemblies	1 ea.	16	9072	Locknut - 1/4-20 Nylon	1 ea.
5	18105-1	Dual Post Arm Tube, Desk Length	1 ea.	17	9074	Washer - 1/4" Flat	1 ea.
6	18106-L	Dual Post Arm Tube, Full Length - Left	1 ea.				

Armrests—Dual Post Flip Back Adjustable Height



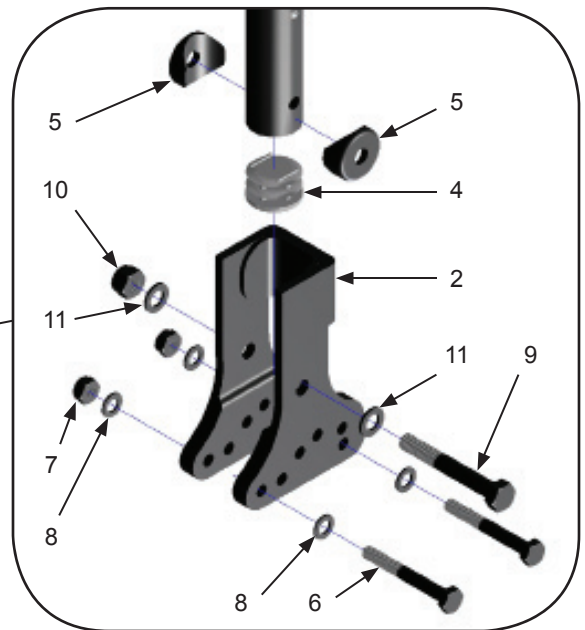
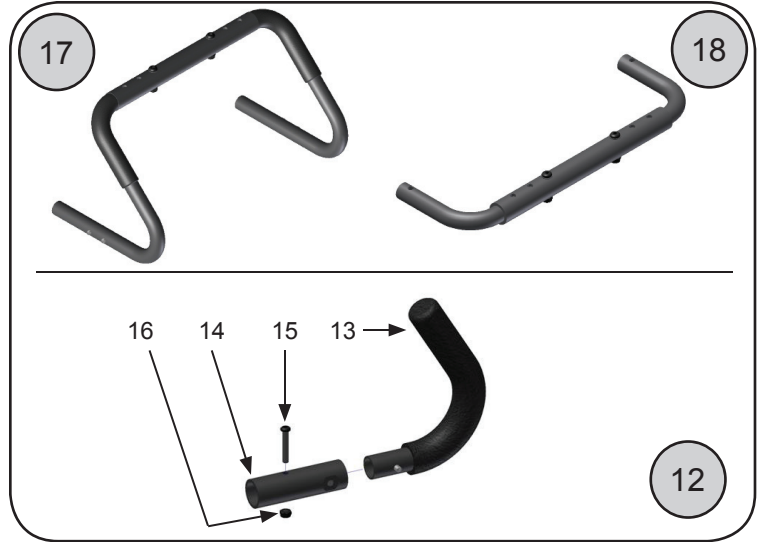
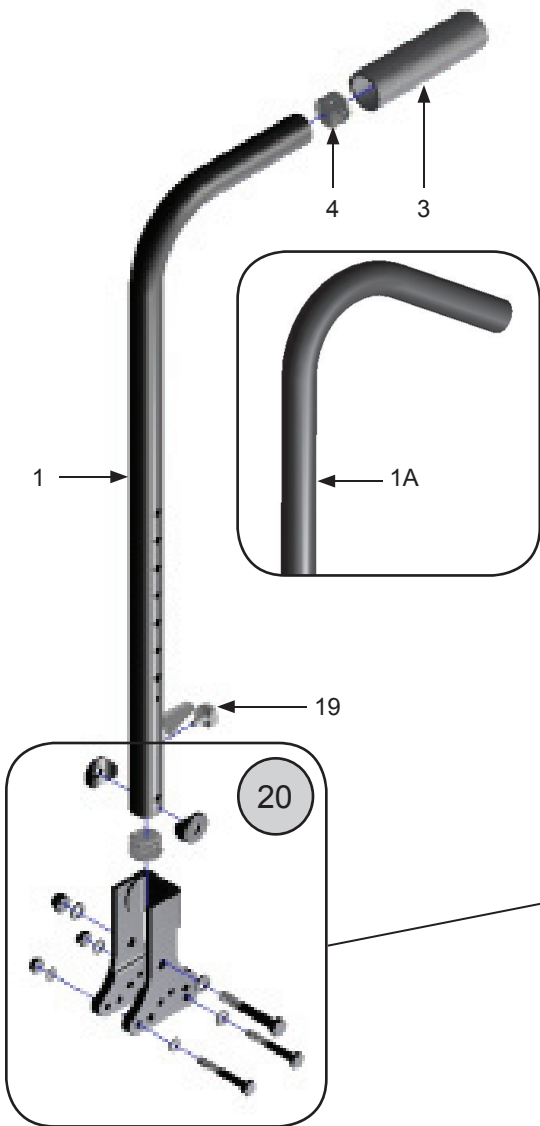
No.	PART #	DESCRIPTION	QTY	No.	PART #	DESCRIPTION	QTY
①	18113-L	Dual Post Adj. Hgt. Flip Assembly, Desk - Lt	1 ea.	8	18120-1	Rear Receiver - Dual Post Flip Arm	1 ea.
	18113-R	Dual Post Adj. Hgt. Flip Assembly, Desk - Rt	1 ea.	9	18121-L	Bracket - Dual Post Flip Arm, Left	1 ea.
	18113-2	Dual Post Adj. Hgt. Flip Assemblies, Desk	1 pr.		18121-R	Bracket - Dual Post Flip Arm, Right	1 ea.
②	18114-L	Dual Post Adj. Hgt. Flip Assembly, Full - Lt	1 ea.	10	18107-L	Dual Post Front Receiver - Left	1 ea.
	18114-R	Dual Post Adj. Hgt. Flip Assembly, Full - Rt	1 ea.		18107-R	Dual Post Front Receiver - Right	1 ea.
	18114-2	Dual Post Adj. Hgt. Flip Assemblies, Full	1 pr.	11	9074A	Washer, Nylon - 35/64" x 1" X 1/16"	1 ea.
3	18115-L	Dual Post Adj. Hgt Flip Desk Arm Assy - Lt	1 ea.	12	18122-1	Detent Pin with Lanyard	1 ea.
	18115-R	Dual Post Adj. Hgt Flip Desk Arm Assy - Rt	1 ea.	13	10913	Arm Pad - Desk Length	1 ea.
	18115-2	Dual Post Adj. Hgt Flip Desk Arm Assemblies	1 pr.	14	10916	Arm Pad - Full Length	1 ea.
4	18116-L	Dual Post Adj Hgt Flip Full Arm Assembly - Lt	1 ea.	15	9000	Tube Plug, 1"	1 ea.
	18116-R	Dual Post Adj.Hgt Flip Full Arm Assembly - Rt	1 ea.	16	9024	Screw, 1/4-20 x 2 1/4" Hex Head	1 ea.
	18116-2	Dual Post Adj. Hgt Flip Full Arm Assemblies	1 ea.	17	9048	Screw, 1/4-20 x 1 1/4" Flat Head	1 ea.
5	18117-1	Dual Post Flip Arm Tube, Desk Length	1 ea.	18	9106	Screw, 10-32 x 1 1/4" Phillips Pan Head	1 ea.
6	18118-1	Dual Post Flip Arm Tube, Full Length	1 ea.	19	9072	Locknut - 1/4-20 Nylon	1 ea.
7	18119-L	Dual Post Flip Arm Base Assembly - Lt.		20	9073	Locknut, 1/4-20 Nylon - Thin	1 ea.
	18119-R	Dual Post Flip Arm Base Assembly - Rt		21	9074	Washer - 1/4" Flat	1 ea.

Axle Components



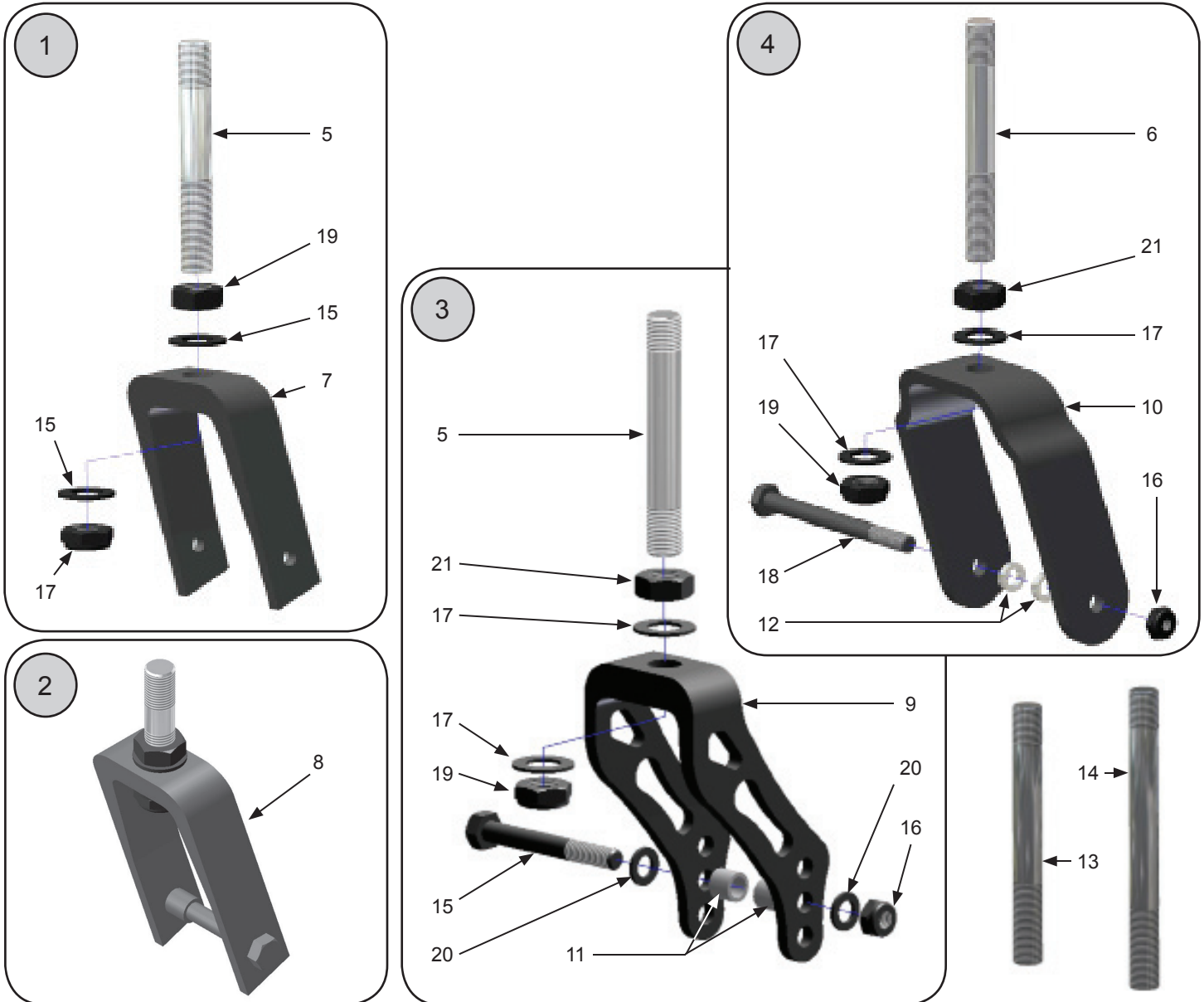
No.	PART #	DESCRIPTION	QTY	No.	PART #	DESCRIPTION	QTY
1	18000-L	Axle Mount Plate Weldment - Left	1 ea.	6	1999A	Axle Receiver Spacer	1 ea.
	18000-R	Axle Mount Plate Weldment - Right	1 ea.	7	9023	Screw, 1/4-20 x 2" Hex Head	1 ea.
	18000-2	Axle Mount Plate Weldments	1 pr.	8	9024	Screw, 1/4-20 x 2 1/4" Hex Head	1 ea.
2	18002-1	Axle Plate Spacer	1 ea.	9	9062	Screw, 1/4-20 x 1 1/4" Socket Head	1 ea.
3	18003-1	Axle Plate Spacer Clamp	1 ea.	10	9073	Locknut, 1/4-20 Nylon - Thin	1 ea.
4	4001	Quick Release Axle	1 ea.	11	9074	Washer, 1/4" Flat	1 ea.
5	2003	Double Lock Axle Receiver	1 ea.	12	9092	Nut, 3/4-16 Hex Jam	1 ea.

Back Canes & Stroller Handles



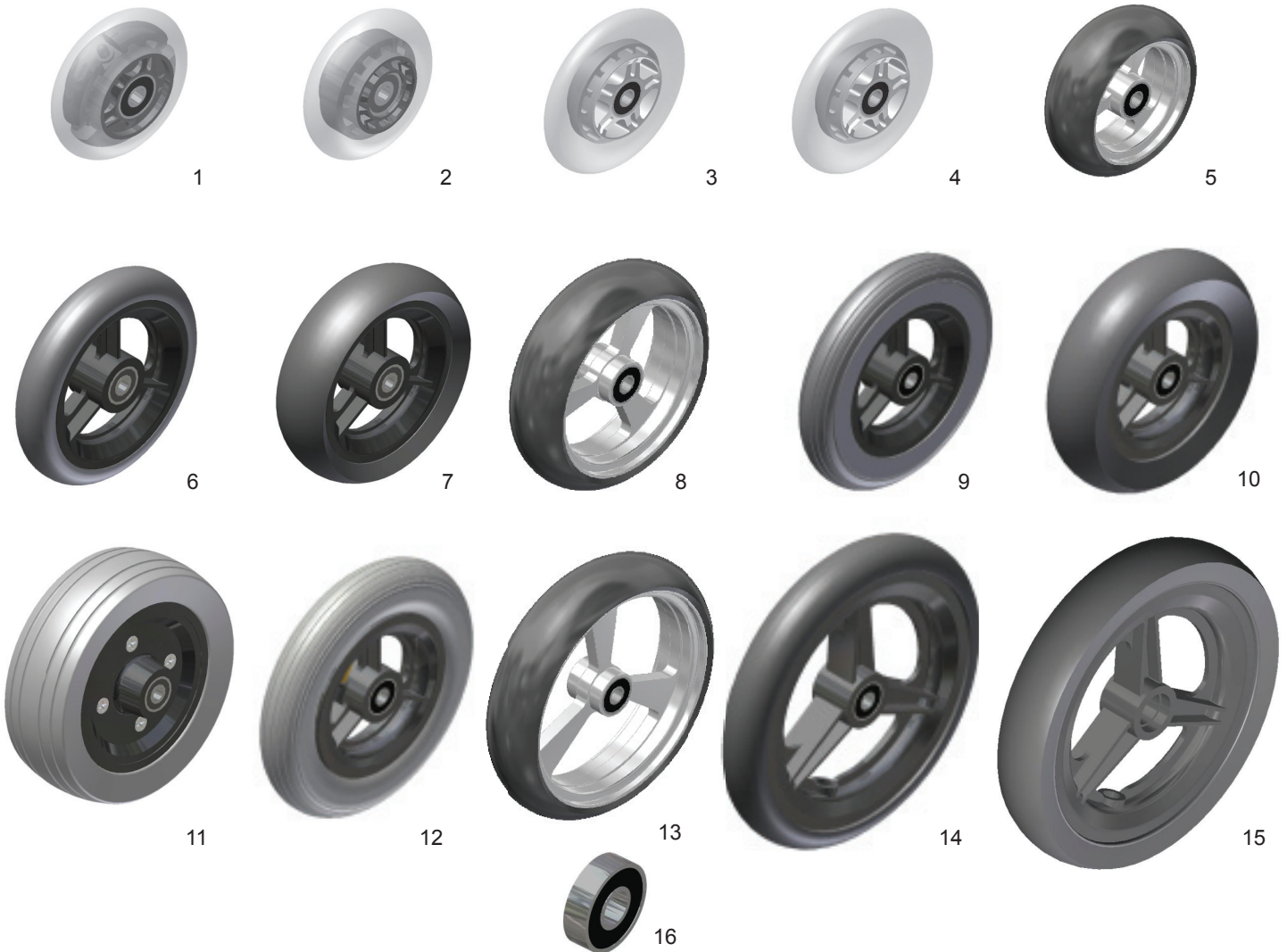
No.	PART #	DESCRIPTION	QTY	No.	PART #	DESCRIPTION	QTY
1	13200-2	Back Canes—Short	1 pr.	10	9088	Locknut, 5/16-18 Nylon	1 ea.
	13201-2	Back Canes—Medium	1 pr.	11	9090	Washer, 5/16" Flat	1 ea.
	13202-2	Back Canes—Tall	1 pr.	(12)	10620-2	Stroller Handle Assy. (Handle/Adapt)	1 pr.
1A	13203-2	Back Canes—Short, Ergo	1 pr.	13	10621	Stroller Handle	1 ea.
	13204-2	Back Canes—Medium, Ergo	1 pr.	14	10622	Adapter Tube	1 ea.
	13205-2	Back Canes—Tall, Ergo	1 pr.	15	9035	Screw, 1/4-20 x 1 1/2" Button Head	1 ea.
2	18004-1	Back Cane Receiver Plate	1 ea.	16	9073	Locknut, 1/4-20 Thin - Nylon	1 ea.
3	1998	Foam Grip	1 ea.	(17)	18110	Stroller Handle Ext. Width Adj. Removable	1 ea.
4	9000	Tube Plug, 1"	1 ea.	(18)	18111	Push Handle Ext. Width Adj. Removable	1 ea.
5	9005	Plastic Saddle, 1" for 5/16" Screw	1 ea.	19	5023	Stem Bumper for Back Post & Arms	1 ea.
6	9024	Screw, 1/4-20 x 2 1/4" Hex Head	1 ea.	(20)	18005-L	Back Cane Receiver & Hardware—Left	1 ea.
7	9072	Locknut, 1/4-20 Nylon	1 ea.		18005-R	Back Cane Receiver & Hardware—Right	1 ea.
8	9074	Washer, 1/4" Flat	1 ea.		18005-2	Back Cane Receivers & Hardware	1 pr.
9	9081	Screw, 5/16-18 x 2 1/4" Hex Head	1 ea.				

Caster Components—Forks



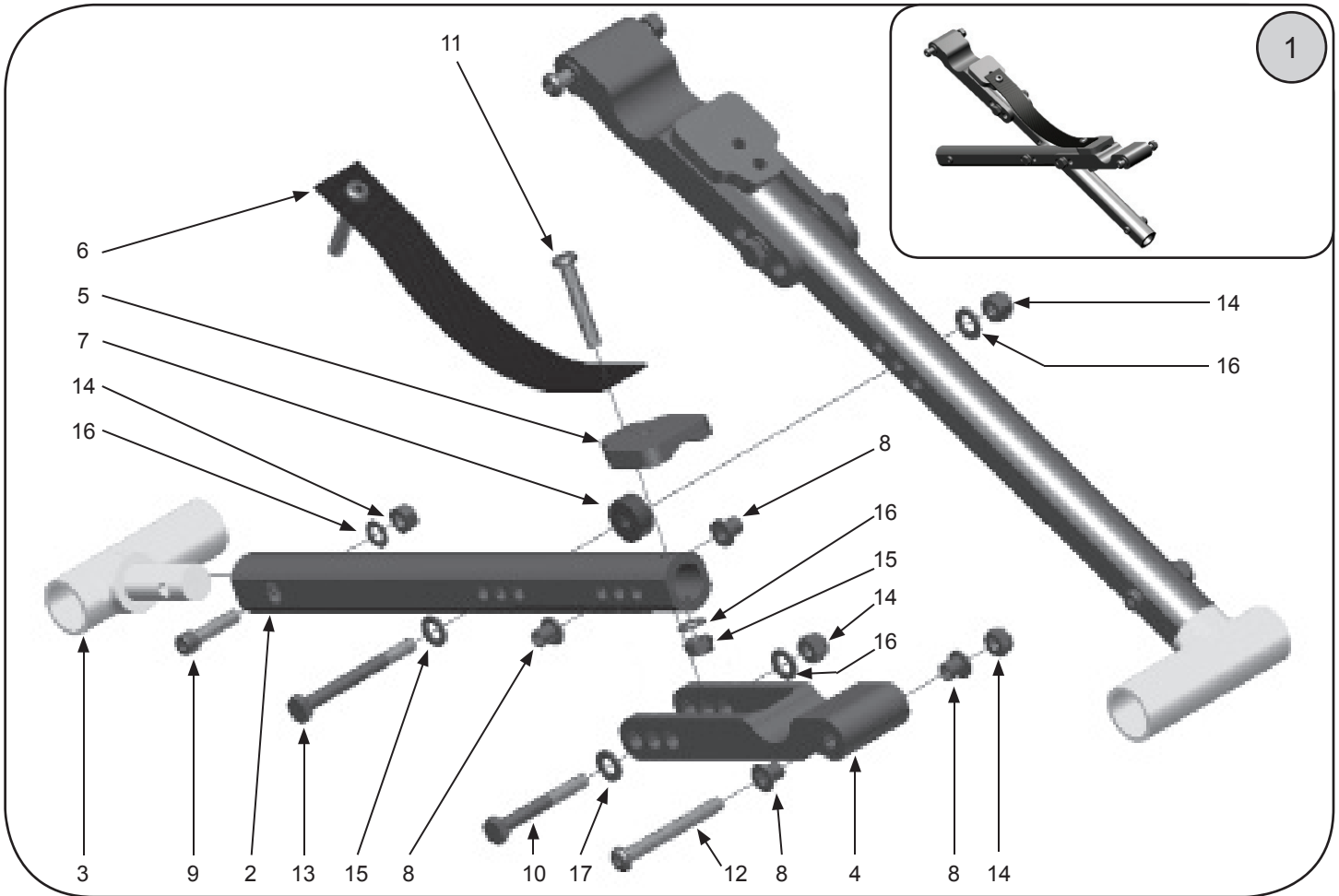
No.	PART #	DESCRIPTION	QTY	No.	PART #	DESCRIPTION	QTY
①	10044-1	3" Caster Fork Assembly	1 ea.	10	2011B	Caster Fork, 6" x 2"	1 ea.
	10044-2	3" Caster Fork Assemblies	1 pr.	11	2013	Caster Spacer (except 6" x 2" casters)	1 ea.
②	10052-1	4" Caster Fork Assembly	1 ea.	12	2013A	Caster Spacer 6" x 2" caster only	1 ea.
	10052-2	4" Caster Fork Assembly	1 pr.	13	2010B	.75" Caster Stem Bolt Extension (4.75")	1 ea.
③	10055-1	5", 6" & 7" Caster Fork Assembly	1 ea.	14	2010C	1.5" Caster Stem Bolt Extension (5.5")	1 ea.
	10055-2	5", 6" & 7" Caster Fork Assemblies	1 pr.	15	9082	Screw, 5/16-18 x 2 1/2" Hex Head	1 ea.
④	10054-1	6" x 2" Caster Fork Assembly	1 ea.	16	9088	Locknut, 5/16-18 Nylon - Thin	1 ea.
	10054-2	6" x 2" Caster Fork Assemblies	1 pr.	17	9114	Washer, 1/2" Flat	1 ea.
5	2010A	Caster Stem, 3 5/8"	1 ea.	18	9084	Screw, 5/16-18 x 3 1/2" Hex Head	1 ea.
6	2010B	Caster Stem, 4"	1 ea.	19	9085	Locknut, 1/2-20 Nylon - Thin	1 ea.
7	2011	Caster Fork, 3"	1 ea.	20	9089	Washer, 5/16" Flat	1 ea.
8	2011C	Caster Fork, 4"	1 ea.	21	9091	Nut, 1/2-20 Hex Jam	1 ea.
9	2011A	Caster Fork, 5", 6" & 7"	1 ea.				

Caster Components—Wheels & Bearings



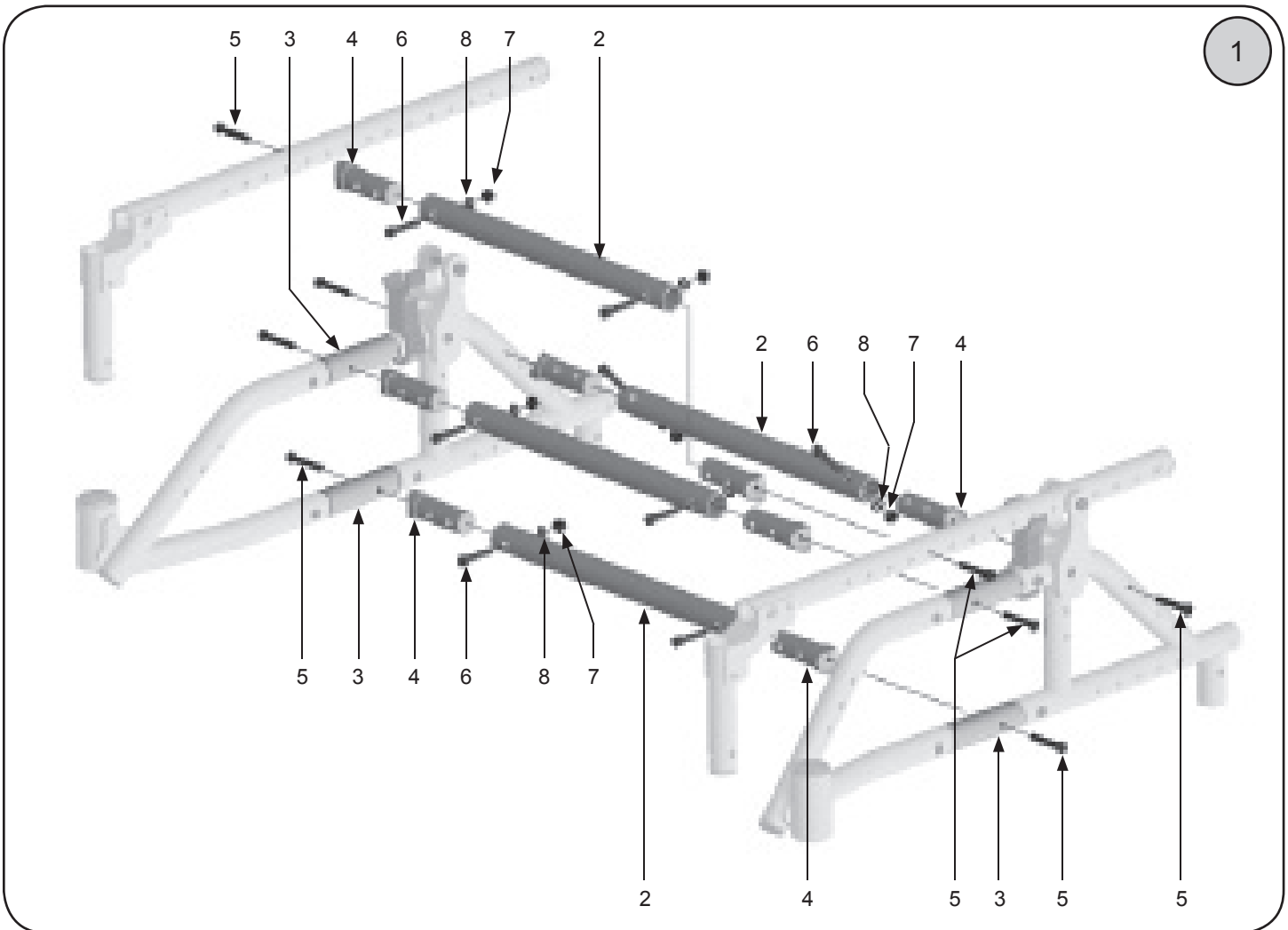
No.	PART #	DESCRIPTION	QTY	No.	PART #	DESCRIPTION	QTY
1	10141-1	3" Micro Light Up Caster	1 ea.	9	10192-1	6" x 1" Poly Caster	1 ea.
	10141-2	3" Micro Light Up Casters	1 pr.		10192-2	6" x 1" Poly Casters	1 pr.
2	10190-1	3" Micro Caster	1 ea.	10	10193-1	6" x 1 1/2" Poly Caster	1 ea.
	10190-2	3" Micro Caster	1 pr.		10193-2	6" x 1 1/2" Poly Casters	1 pr.
3	10152-1	4" Micro Caster	1 ea.	11	10194-1	6" x 2" Poly Caster	1 ea.
	10152-2	4" Micro Casters	1 pr.		10194-2	6" x 2" Poly Casters	1 pr.
4	10153-1	4" Micro Light Up Caster	1 ea.	12	10145-1	6" x 1" Pneumatic Caster	1 ea.
	10153-2	4" Micro Light Up Casters	1 pr.		10145-2	6" x 1" Pneumatic Casters	1 pr.
5	10157-1	4" x 1.4" Poly Aluminum Caster	1 ea.	13	10156-1	6" x 1.4" Poly Aluminum Caster	1 ea.
	10157-2	4" x 1.4" Poly Aluminum Casters	1 pr.		10156-2	6" x 1.4" Poly Aluminum Casters	1 pr.
6	10191-1	5" x 1" Poly Caster	1 ea.	14	10195-1	7" x 1" Poly Caster	1 ea.
	10191-2	5" x 1" Poly Casters	1 pr.		10195-2	7" x 1" Poly Casters	1 pr.
7	10149-1	5" x 1 1/2" Poly Caster	1 ea.	15	10148-1	7" x 1 1/2" Caster	1 ea.
	10149-2	5" x 1 1/2" Poly Casters	1 pr.		10148-2	7" x 1 1/2" Casters	1 pr.
8	10155-1	5" x 1.4" Poly Aluminum Caster	1 ea.	16	2009A	Caster Wheel Bearing	1 ea.
	10155-2	5" x 1.4" Poly Aluminum Casters	1 pr.				

Cross Brace Components



No.	PART #	DESCRIPTION	QTY	No.	PART #	DESCRIPTION	QTY
①	18006-1	Cross Brace Assembly - 10-12" Wide	1 ea.		18024-1	Cross Brace Tube - 18" Wide	1 ea.
	18007-1	Cross Brace Assembly - 11-13" Wide	1 ea.		18025-1	Cross Brace Tube - 19" Wide	1 ea.
	18008-1	Cross Brace Assembly - 12-14" Wide	1 ea.		18026-1	Cross Brace Tube - 20" Wide	1 ea.
	18009-1	Cross Brace Assembly - 13-15" Wide	1 ea.	3	18027-1	Pivot Hinge Assembly	1 ea.
	18010-1	Cross Brace Assembly - 14-16" Wide	1 ea.	4	18028-1	Cross Brace Arm	1 ea.
	18011-1	Cross Brace Assembly - 15-17" Wide	1 ea.	5	18029-1	Cross Brace Stopper	1 ea.
	18012-1	Cross Brace Assembly - 16-18" Wide	1 ea.	6	18030-1	Cross Brace Strap	1 ea.
	18013-1	Cross Brace Assembly - 17-18" Wide	1 ea.	7	18031-1	Plastic Spacer	1 ea.
	18014-1	Cross Brace Assembly - 18" Wide	1 ea.	8	18032-1	Plastic Bushing	1 ea.
	18015-1	Cross Brace Assembly - 19" Wide	1 ea.	9	9061	Screw, 1/4-20 x 1" Socket Head	1 ea.
	18109-1	Cross Brace Assembly - 20" Wide	1 ea.	10	9023	Screw, 1/4-20 x 2" Hex Head	1 ea.
2	18016-1	Cross Brace Tube - 10-12" Wide	1 ea.	11	9035	Screw, 1/4-20 x 1 1/2" Button Head	1 ea.
	18017-1	Cross Brace Tube - 11-13" Wide	1 ea.	12	9037	Screw, 1/4-20 x 2" Button Head	1 ea.
	18018-1	Cross Brace Tube - 12-14" Wide	1 ea.	13	9025	Screw, 1/4-20 x 2 1/2" Hex Head	1 ea.
	18019-1	Cross Brace Tube - 13-15" Wide	1 ea.	14	9072	Locknut, 1/4-20 Nylon	1 ea.
	18020-1	Cross Brace Tube - 14-16" Wide	1 ea.	15	9073	Locknut, 1/4-20 Nylon - Thin	1 ea.
	18021-1	Cross Brace Tube - 15-17" Wide	1 ea.	16	9074	Washer, 1/4" Flat	1 ea.
	18022-1	Cross Brace Tube - 16-18" Wide	1 ea.	17	9089	Washer, 5/16" Flat	1 ea.
	18023-1	Cross Brace Tube - 17-18" Wide	1 ea.				

Cross Bars - Rigid



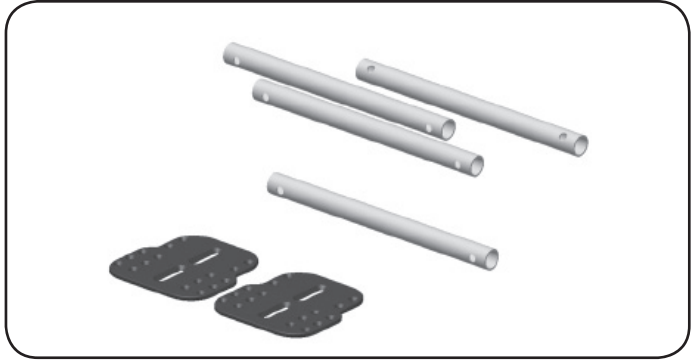
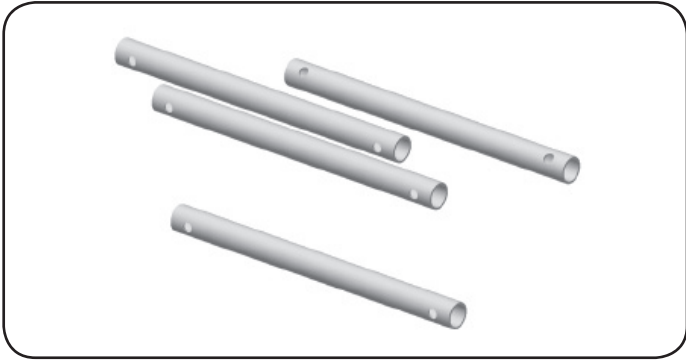
Note:
Item 1 Rigid Cross Bar Kit includes items 2 through 7.

No.	PART #	DESCRIPTION	QTY	No.	PART #	DESCRIPTION	QTY
①	18150	Rigid Cross Bar Kit, 10-12"	Set		18163	Rigid Cross Tube, 13 -15"	ea.
	18151	Rigid Cross Bar Kit, 11-13"	Set		18164	Rigid Cross Tube, 14 -16"	ea.
	18152	Rigid Cross Bar Kit, 12-14"	Set		18165	Rigid Cross Tube, 15 -17"	ea.
	18153	Rigid Cross Bar Kit, 13-15"	Set		18166	Rigid Cross Tube, 16 -18"	ea.
	18154	Rigid Cross Bar Kit, 14-16"	Set		18167	Rigid Cross Tube, 18"	ea.
	18155	Rigid Cross Bar Kit, 15-17"	Set		18168	Rigid Cross Tube, 19"	ea.
	18156	Rigid Cross Bar Kit, 16-18"	Set		18169	Rigid Cross Tube, 20"	ea.
	18157	Rigid Cross Bar Kit, 18"	Set	3	18170	Cross Brace Spacer Sleeve	ea.
	18158	Rigid Cross Bar Kit, 19"	Set	4	18171	Contour Fitting	ea.
	18159	Rigid Cross Bar Kit, 20"	Set	5	9035	Screw, 1/4-20 x 1 1/2" Button Head	ea.
2	18160	Rigid Cross Tube, 10 -12"	ea.	6	9062	Screw, 1/4-20 x 1 1/4" Socket Head	ea.
	18161	Rigid Cross Tube, 11 -13"	ea.	7	9073	Locknut, 1/4-20 Nylon - Thin	ea.
	18162	Rigid Cross Tube, 12 -14"	ea.				

Freedom Future Fit Growth Kits



Folding Cross Braces Only			Folding Cross Braces and Footplates		
PART #	DESCRIPTION	QTY	PART #	DESCRIPTION	QTY
18033	Cross Brace Assembly, 11" - 13"	1 Set	18033-FP	Cross Brace Assembly / Footplates, 11" - 13"	1 set
18034	Cross Brace Assembly, 12" - 14"	1 Set	18034-FP	Cross Brace Assembly / Footplates, 12" - 14"	1 set
18035	Cross Brace Assembly, 13" - 15"	1 Set	18035-FP	Cross Brace Assembly / Footplates, 13" - 15"	1 set
18036	Cross Brace Assembly, 14" - 16"	1 Set	18036-FP	Cross Brace Assembly / Footplates, 14" - 16"	1 set
18037	Cross Brace Assembly, 15" - 17"	1 Set	18037-FP	Cross Brace Assembly / Footplates, 15" - 17"	1 set
18038	Cross Brace Assembly, 16" - 18"	1 Set	18038-FP	Cross Brace Assembly / Footplates, 16" - 18"	1 set
18039	Cross Brace Assembly, 17" - 18"	1 Set	18039-FP	Cross Brace Assembly / Footplates, 17" - 18"	1 set
18040	Cross Brace Assembly, 18"	1 Set	18040-FP	Cross Brace Assembly / Footplates, 18"	1 set
18041	Cross Brace Assembly, 19"	1 Set	18041-FP	Cross Brace Assembly / Footplates, 19"	1 set
18042	Cross Brace Assembly, 20"	1 Set	18042-FP	Cross Brace Assembly / Footplates, 20"	1 set



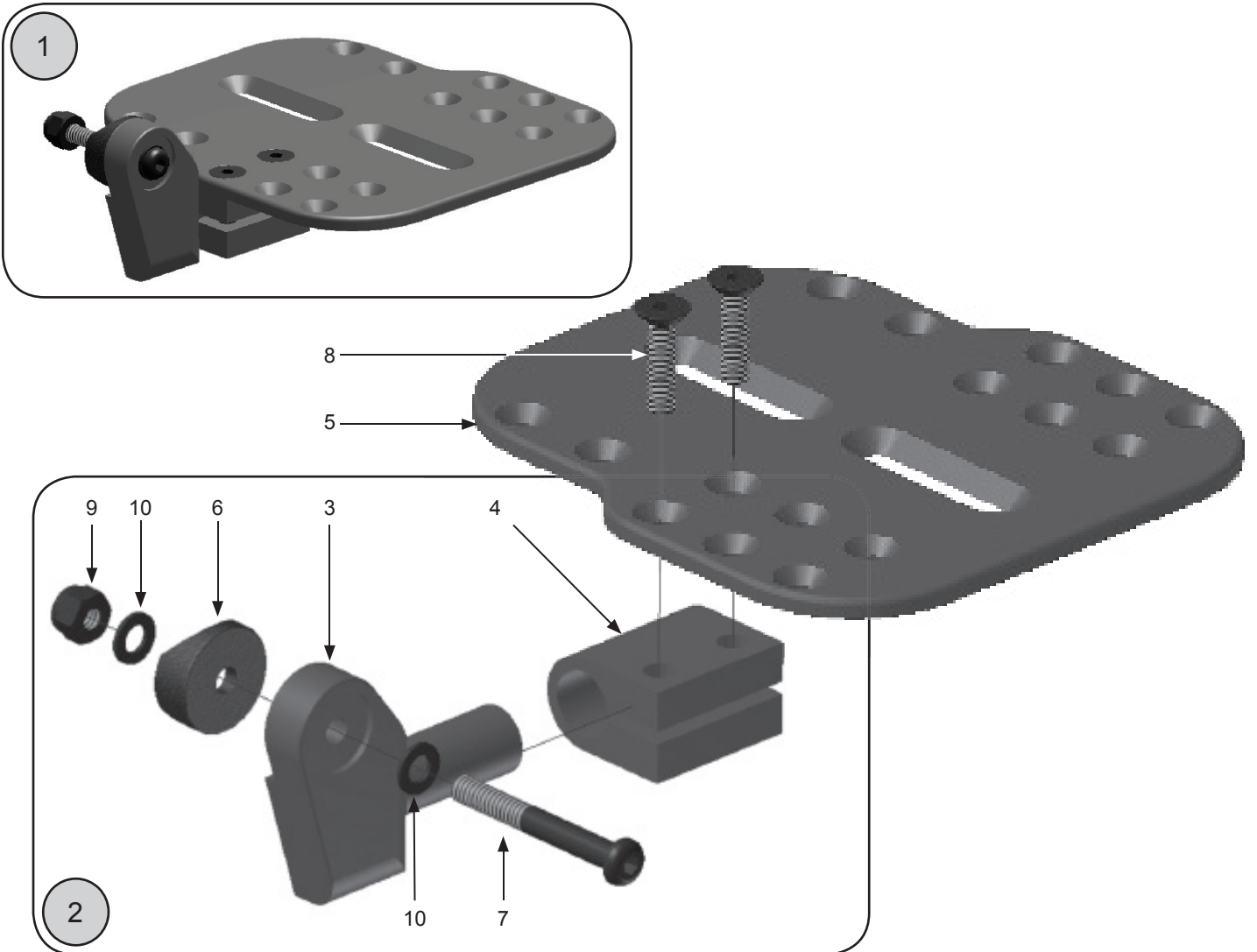
Rigid Cross Bars Only			Cross Bars and Footplates		
PART #	DESCRIPTION	QTY	PART #	DESCRIPTION	QTY
18172	Rigid Cross Bar Assembly Only, 11" - 13"	1 Set	18172-FP	Rigid Cross Bar Assembly / Footplates, 11" - 13"	1 set
18173	Rigid Cross Bar Assembly Only, 12" - 14"	1 Set	18173-FP	Rigid Cross Bar Assembly / Footplates, 11" - 13"	1 set
18174	Rigid Cross Bar Assembly Only, 13" - 15"	1 Set	18174-FP	Rigid Cross Bar Assembly / Footplates, 11" - 13"	1 set
18175	Rigid Cross Bar Assembly Only, 14" - 16"	1 Set	18175-FP	Rigid Cross Bar Assembly / Footplates, 11" - 13"	1 set
18176	Rigid Cross Bar Assembly Only, 15" - 17"	1 Set	18176-FP	Rigid Cross Bar Assembly / Footplates, 11" - 13"	1 set
18177	Rigid Cross Bar Assembly Only, 16" - 18"	1 Set	18177-FP	Rigid Cross Bar Assembly / Footplates, 11" - 13"	1 set
18178	Rigid Cross Bar Assembly Only, 17" - 18"	1 Set	18178-FP	Rigid Cross Bar Assembly / Footplates, 11" - 13"	1 set
18179	Rigid Cross Bar Assembly Only, 18"	1 Set	18179-FP	Rigid Cross Bar Assembly / Footplates, 11" - 13"	1 set
18180	Rigid Cross Bar Assembly Only, 19"	1 Set	18180-FP	Rigid Cross Bar Assembly / Footplates, 11" - 13"	1 set
18181	Rigid Cross Bar Assembly Only, 20"	1 Set	18181-FP	Rigid Cross Bar Assembly / Footplates, 11" - 13"	1 set

Footrests—Composite Flip-up Footplate



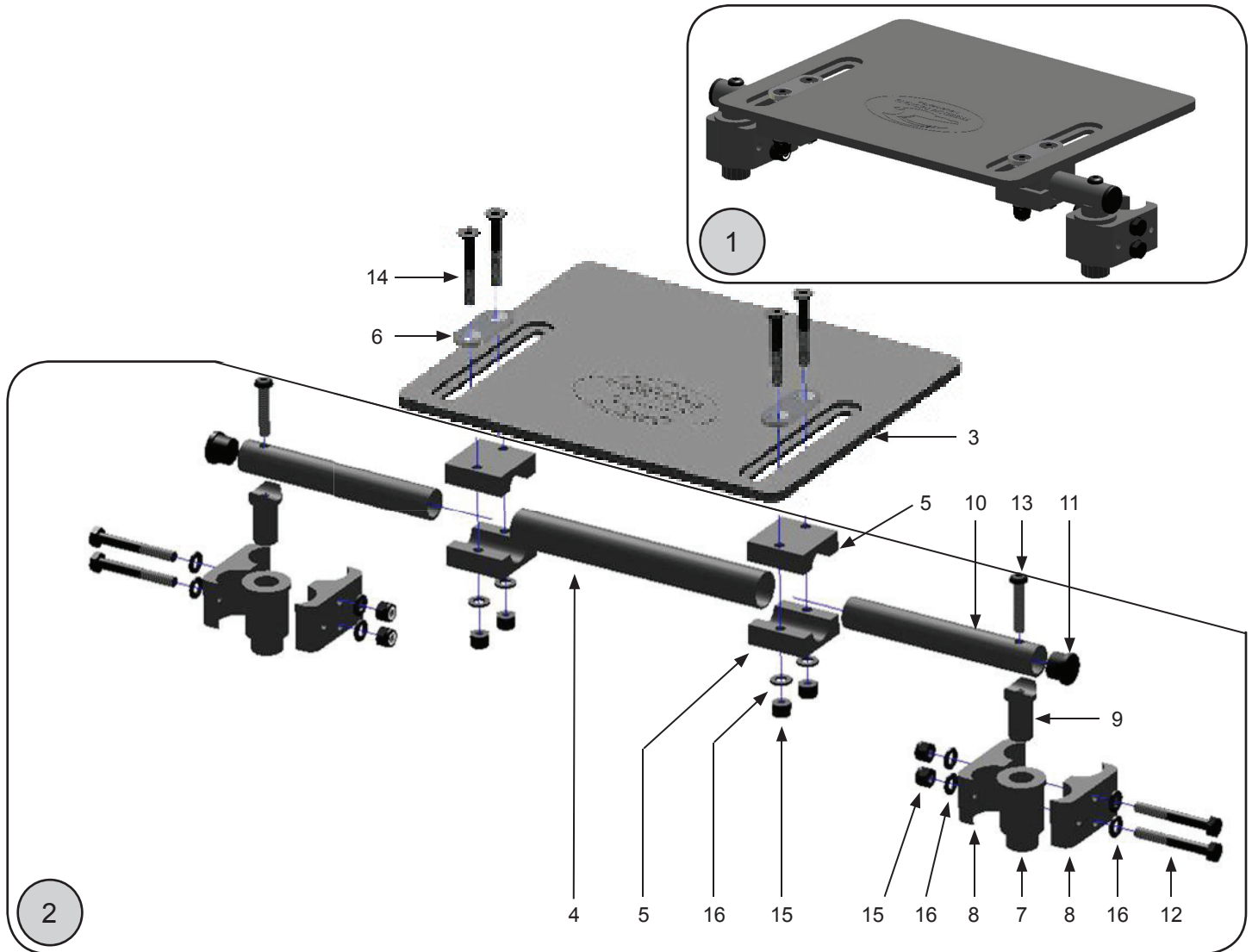
No.	PART #	DESCRIPTION	QTY	No.	PART #	DESCRIPTION	QTY
①	20071	Footplate Assemblies—12-13"	1 pr.		20075-L	Footplate—12-13", Left	1 ea.
	20071-R	Footplate Assembly—12-13", Right	1 ea.		20076-R	Footplate—14-15", Right	1 ea.
	20071-L	Footplate Assembly—12-13", Left	1 pr.		20076-L	Footplate—14-15", Left	1 ea.
	20072	Footplate Assemblies—14-15"	1 pr.		20077-R	Footplate—16-17", Right	1 ea.
	20072-R	Footplate Assembly—14-15", Right	1 ea.		20077-L	Footplate—16-17", Left	1 ea.
	20072-L	Footplate Assembly—14-15", Left	1 ea.		20078-R	Footplate—18", Right	1 ea.
	20073	Footplate Assemblies—16-17"	1 pr.		20078-L	Footplate—18", Left	1 ea.
	20073-R	Footplate Assembly—16-17", Right	1 ea.	3	20059-1	Heel Loop	1 ea.
	20073-L	Footplate Assembly—16-17", Left	1 ea.		20059-2	Heel Loops	1 pr.
	20074	Footplate Assemblies—18"	1 pr.	4	10006	Heel Loop Mount Stud	1 ea.
	20074-R	Footplate Assembly—18", Right	1 ea.	5	10007	Heel Loop Mount Screw	1 ea.
	20074-L	Footplate Assembly—18", Left	1 ea.	6	9064	Screw, 1/4-20 x 1 3/4" Socket Head	1 ea.
2	20075-R	Footplate—12-13", Right	1 ea.	7	9072	Locknut, 1/4-20 Nylon	1 ea.

Footrests—Flip Up Footplate



No.	PART #	DESCRIPTION	QTY	No.	PART #	DESCRIPTION	QTY
①	18043-L	Flip Up Footplate Assy, 10-11", Left	1 ea.	3	18048-L	Pivot Arm—Left	1 ea.
	18043-R	Flip Up Footplate Assy, 10-11", Right	1 ea.		18048-R	Pivot Arm—Right	1 ea.
	18043-2	Flip Up Footplate Assy, 10-11"	1 pr.	4	20066	Footplate Swivel Clamp	1 ea.
	18044-L	Flip Up Footplate Assy, 12-13", Left	1 ea.	5	3019	Footplate—Flip Up Angle Adj., 10-11"	1 ea.
	18044-R	Flip Up Footplate Assy, 12-13", Right	1 ea.		3020	Footplate—Flip Up Angle Adj., 12-13"	1 ea.
	18044-2	Flip Up Footplate Assy, 12-13"	1 pr.		3021	Footplate—Flip Up Angle Adj., 14-15"	1 ea.
	18045-L	Flip Up Footplate Assy, 4-15", Left	1 ea.		3022	Footplate—Flip Up Angle Adj., 16-17"	1 ea.
	18045-R	Flip Up Footplate Assy, 14-15, Right	1 ea.		3023	Footplate—Flip Up Angle Adj., 18"	1 ea.
	18045-2	Flip Up Footplate Assy, 14-15"	1 pr.	6	9004	Plastic Saddle	1 ea.
	18046-L	Flip Up Footplate Assy, 16-17", Left	1 ea.	7	9037	Screw, 1/4-20 x 2" Button Head	1 ea.
	18046-R	Flip Up Footplate Assy, 16-17, Right	1 ea.	8	9047	Screw, 1/4-20 x 1" Flat Head	1 ea.
	18046-2	Flip Up Footplate Assy, 16-17"	1 pr.	9	9072	Locknut, 1/4-20 Nylon	1 ea.
②	18047-L	Pivot Arm Assembly - Left	1 ea.	10	9074	Washer, 1/4" Flat	1 ea.
	18047-R	Pivot Arm Assembly - Right.	1 ea.				

Footrests—Removable Footboard



No.	PART #	DESCRIPTION	QTY	No.	PART #	DESCRIPTION	QTY
①	10200	Removable Footboard Assy, 10-11"	1 ea.		3033	Spacer Tube, 12—13"	1 ea.
	10201	Removable Footboard Assy, 12-13"	1 ea.		3034	Spacer Tube, 14—15"	1 ea.
	10202	Removable Footboard Assy, 14-15"	1 ea.		3035	Spacer Tube, 16—17"	1 ea.
	10203	Removable Footboard Assy, 16-17"	1 ea.		3036	Spacer Tube, 18"	1 ea.
	10204	Removable Footboard Assy, 18"	1 ea.	5	3027	Footboard Clamp	1 ea.
②	13167	Hardware Assembly, 10—11"	1 ea.	6	3028	Clamp Plate	1 ea.
	13168	Hardware Assembly, 12—13"	1 ea.	7	3029	Receiver Assembly	1 ea.
	13169	Hardware Assembly, 14—15"	1 ea.	8	3024	Frame Clamp	1 ea.
	13170	Hardware Assembly, 16—17"	1 ea.	9	3025	Locking Insert	1 ea.
	13171	Hardware Assembly, 18"	1 ea.	10	3026	Adjustment Tube	1 ea.
3	2037	Removable Footboard, 10—11"	1 ea.	11	3099	Tube Plug, 3/4"	1 ea.
	2038	Removable Footboard, 12—13"	1 ea.	12	9023	Screw, 1/4-20 x 2" Hex Head	1 ea.
	2039	Removable Footboard, 14—15"	1 ea.	13	9034	Screw, 1/4-20 x 1 1/4" Button Head	1 ea.
	2040	Removable Footboard, 16—17"	1 ea.	14	9050	Screw, 1/4-20 x 1 3/4" Flat Head	1 ea.
	2041	Removable Footboard, 18"	1 ea.	15	9072	Locknut, 1/4-20 Nylon	1 ea.
4	3032	Spacer Tube, 10—11"	1 ea.	16	9074	Washer—1/4" Flat	1 ea.

Frames—Base & Seat

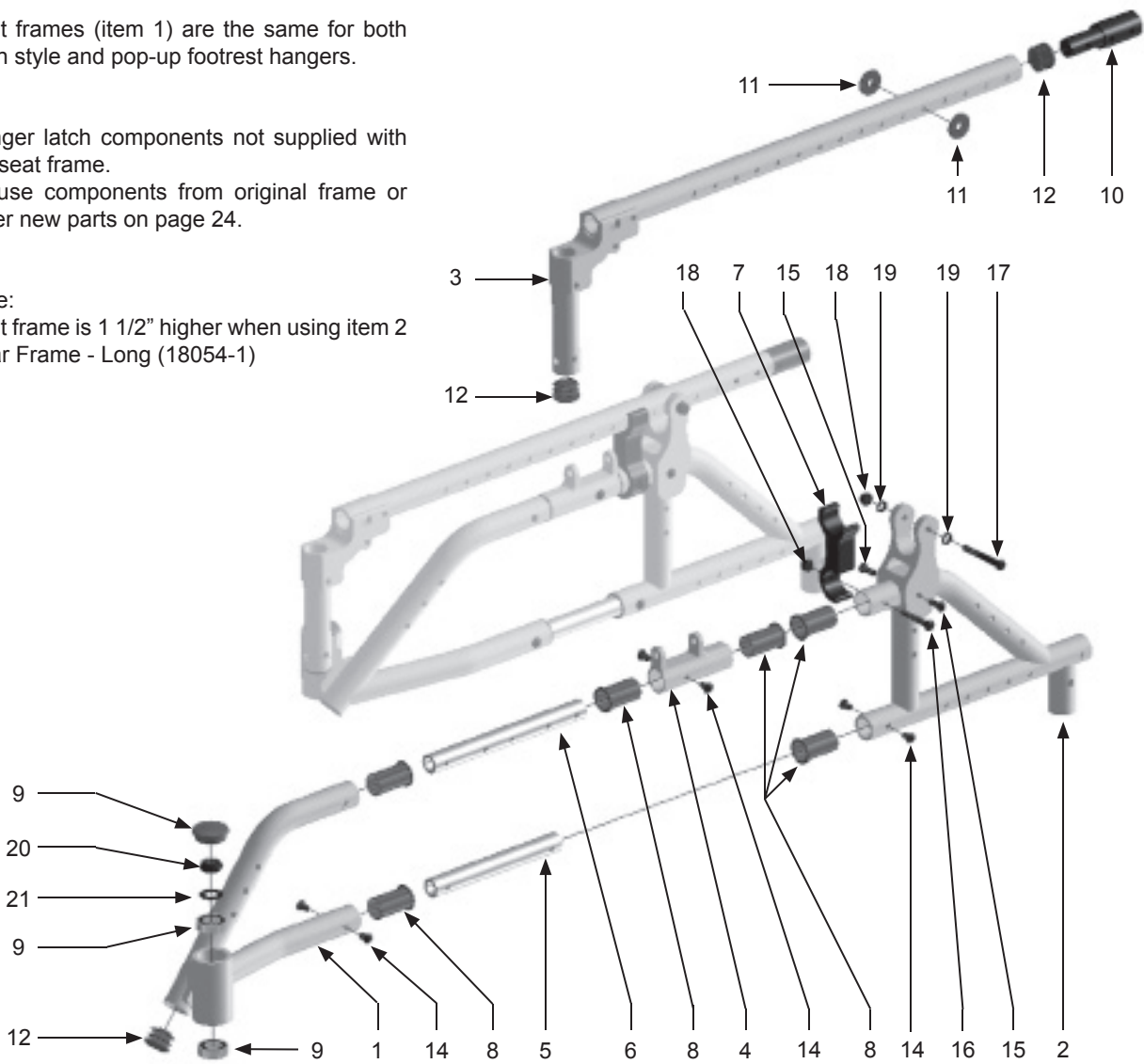
Seat frames (item 1) are the same for both latch style and pop-up footrest hangers.

Hanger latch components not supplied with the seat frame.

Re-use components from original frame or order new parts on page 24.

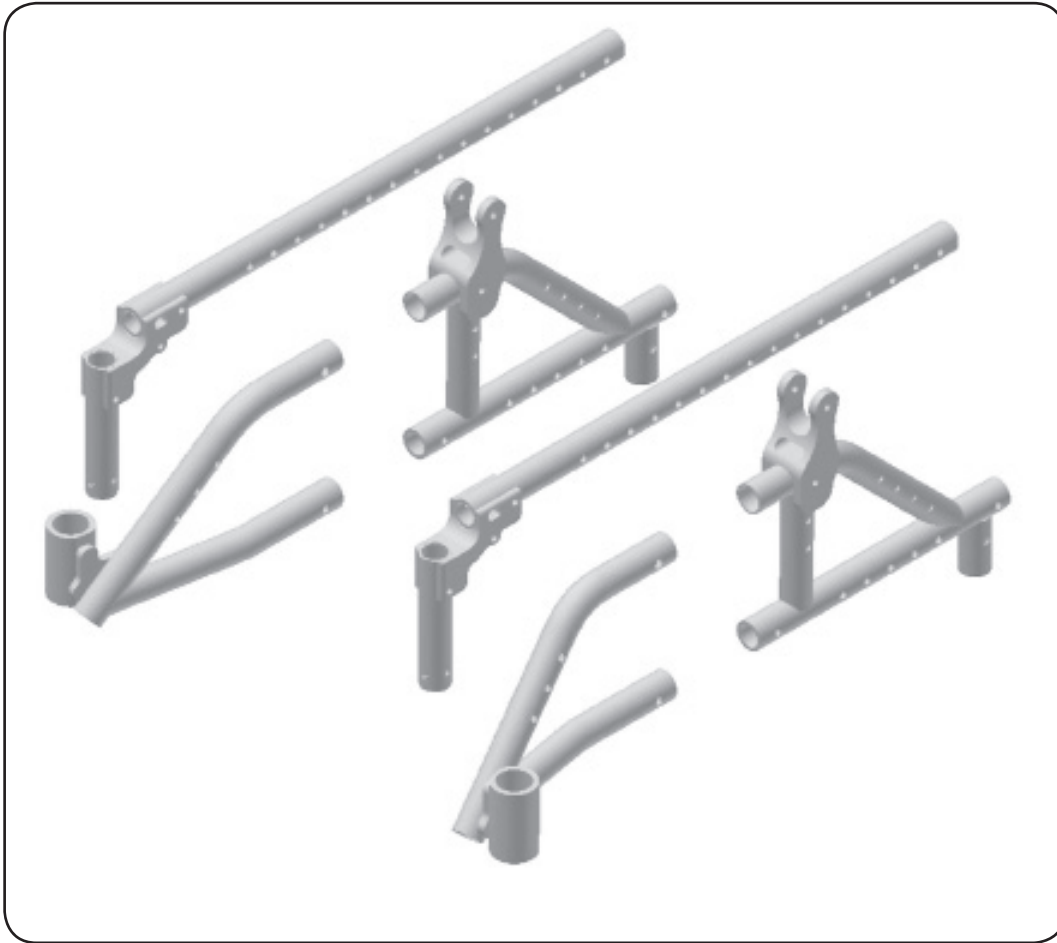
Note:

Seat frame is 1 1/2" higher when using item 2 Rear Frame - Long (18054-1)



No.	PART #	DESCRIPTION	QTY	No.	PART #	DESCRIPTION	QTY
1	18049-1	Frame - Front, Small	1 ea.	9	18060-1	Caster Cap	1 ea.
	18050-1	Frame - Front, Standard	1 ea.	10	18061-1	Seat Extension - 2"	1 ea.
	18051-1	Frame - Front, Long	1 ea.		18062-1	Seat Extension - 3"	1 ea.
2	18052-1	Frame - Rear, Small	1 ea.		18063-1	Seat Extension - 4"	1 ea.
	18053-1	Frame - Rear, Standard	1 ea.	11	18064-1	Plastic Spacer - 1/4" I.D. x 1" O.D.	1 ea.
	18054-1	Frame - Rear, Long	1 ea.	12	9000	Tube Plug, 1"	1 ea.
3	18055-1	Seat Frame - Small	1 ea.	13	2009	Bearing - 1/2" x 1 1/8" x 1/2"	1 ea.
	18056-1	Seat Frame - Standard	1 ea.	14	10006	Screw, 1/4-20 x 3/8" Button Head	1 ea.
	18057-1	Seat Frame - Long	1 ea.	15	10005	Screw, 1/4-20 x 5/8" Button Head	1 ea.
4	18058-1	Frame Arm Assembly	1 ea.	16	9035	Screw, 1/4-20 x 1 1/2" Button Head	1 ea.
5	13066	Insert Tube - Lower	1 ea.	17	9037	Screw, 1/4-20 x 2" Button Head	1 ea.
6	13067	Insert Tube - Upper	1 ea.	18	9073	Locknut, 1/4-20 Nylon - Thin	1 ea.
7	18059-1	Tilt Limiter	1 ea.	19	9074	Washer, 1/4" Flat	1 ea.
8	13070	Nylon Bearing	1 ea.	20	9085	Locknut, 1/2-20 Nylon - Thin	1 ea.

Frame Growth Kits



SMALL		
PART #	DESCRIPTION	QTY
18064S	Seat Frame	1 pr.
18064B	Base Frame	1 pr.
18064C	Complete Frame (Base & Seat)	1 pr.

STANDARD			LARGE		
PART #	DESCRIPTION	QTY	PART #	DESCRIPTION	QTY
18065S	Seat Frame	1 pr.	18066S	Seat Frame	1 pr.
18065B	Base Frame	1 pr.	18066B	Base Frame	1 pr.
18065C	Complete Frame (Base & Seat)	1 pr.	18066C	Complete Frame (Base & Seat)	1 pr.

Hangers — Complete Hanger Retro & Components

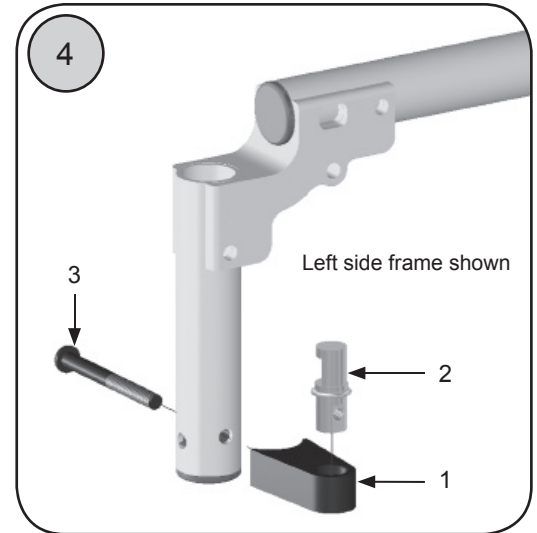
Latch Style



75° Latch Style Hanger



90° Latch Style Hanger



No.	PART #	DESCRIPTION	QTY	No.	PART #	DESCRIPTION	QTY
1	18067-1	Hanger Support - Latch Style	1 ea.	④	18070-2	Pop-up to Latch Kit, 75° (all items in box + hangers, see page)	1 set
2	18068-1	Hanger Latch Post	1 ea.		18071-2	Pop-up to Latch Kit, 90° (all items in box + hangers, see page)	1 set
3	18069-1	Screw, 1/4-20 x 2 1/2" Button Head	1 ea.				

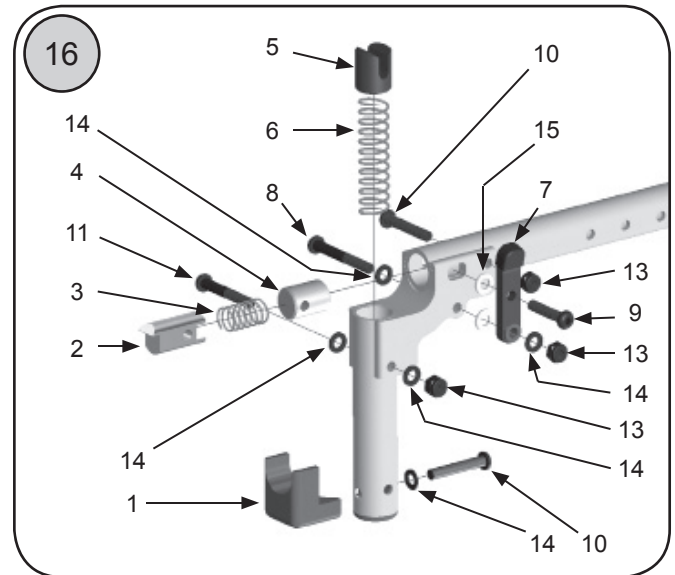
Pop-up Style



75° Pop-up Style Hanger

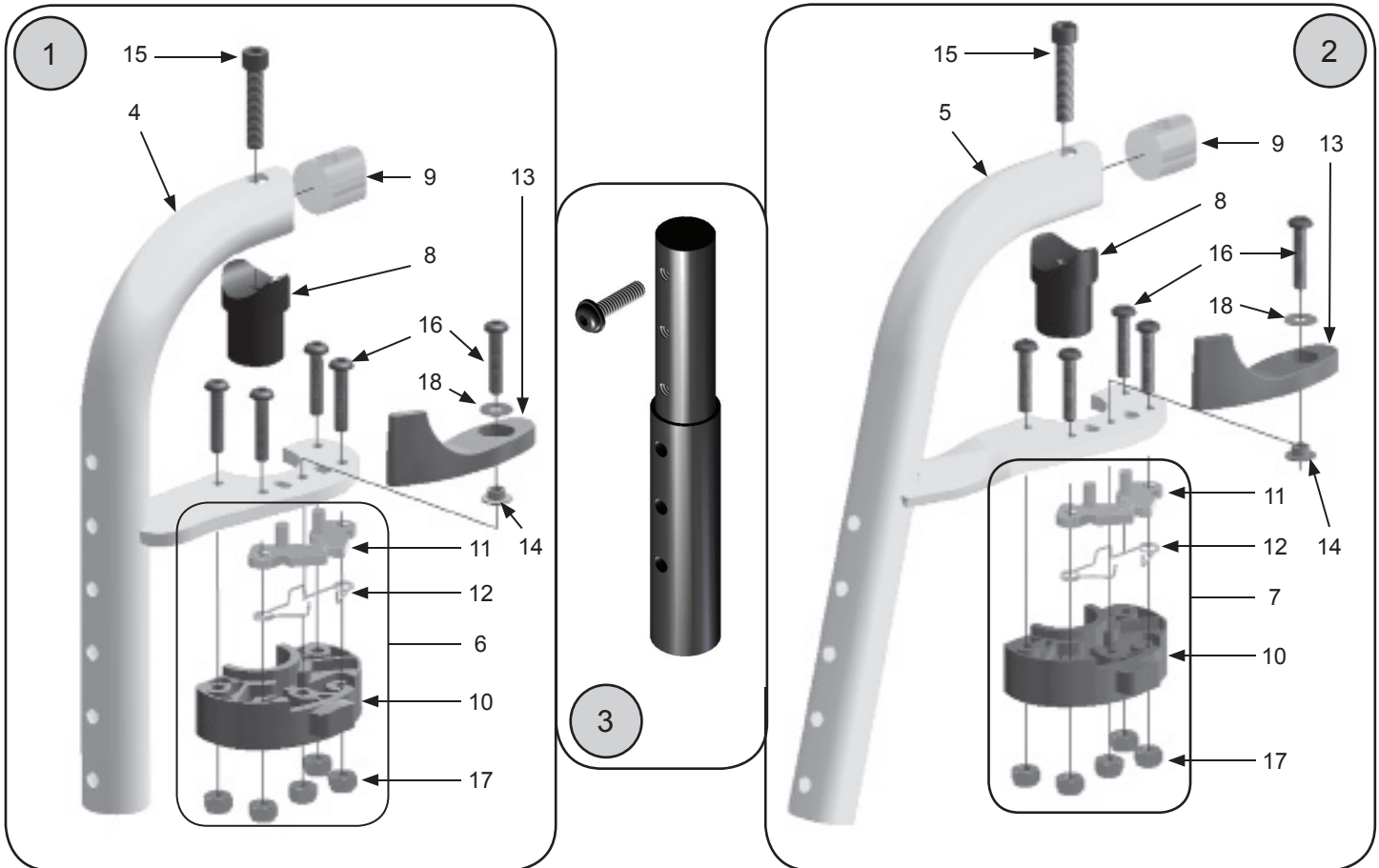


90° Pop-up Style Hanger



No.	PART #	DESCRIPTION	QTY	No.	PART #	DESCRIPTION	QTY
1	13015	Hanger Support—Pop-Up	1 ea.	9	9034	Screw, 1/4-20 x 1 1/4" Button Head	1 ea.
2	1011	Hanger Latch	1 ea.	10	9035	Screw, 1/4-20 x 1 1/2" Button Head	1 ea.
3	1012	Latch Spring	1 ea.	11	9036	Screw, 1/4-20 x 1 3/4" Button Head	1 ea.
4	1013	Seat Insert	1 ea.	13	9073	Locknut, 1/4-20 Nylon - Thin	1 ea.
5	13016	Pop Up Plug	1 ea.	14	9074	Washer, 1/4" Flat	1 ea.
6a	13017	Pop Up Spring—75°Hanger	1 ea.	15	9010	Washer, 1/4" Plastic	1 ea.
6b	13018	Pop Up Spring—90° Hanger	1 ea.	⑯	18072-2	Latch to Pop-up Kit 75° (all items in box except 8b + hangers, see page 31)	1 set
7	13019	Hanger Release Lever Assembly	1 ea.		18130-2	Latch to Pop-up Kit 90° (all items in box except 8a + hangers, see page 31)	1 set
8	9037	Screw, 1/4-20 x 2" Button Head	1 ea.				

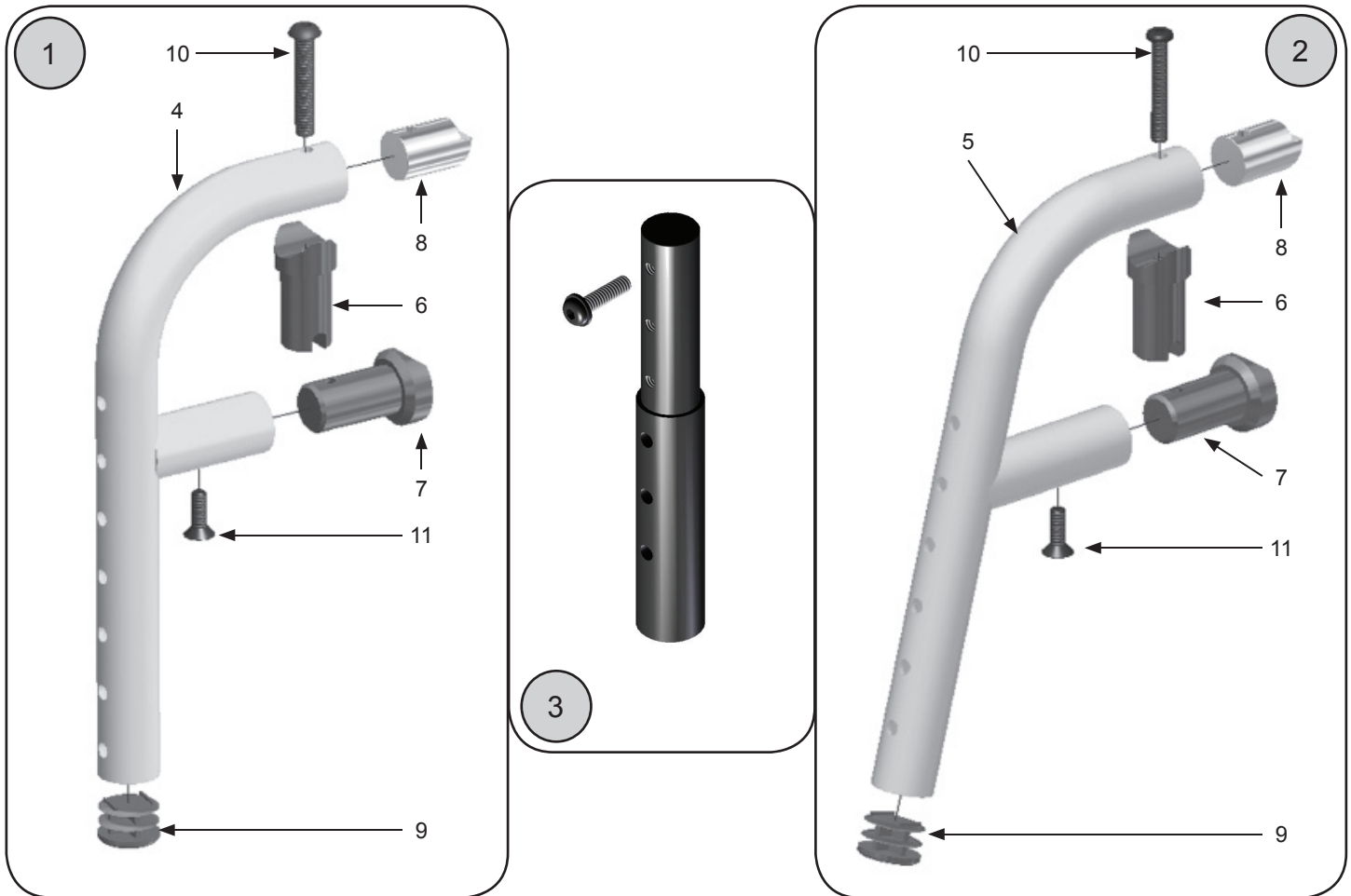
Hangers - Latch Style



These hangers require footplate assemblies shown on pages 17 & 18.

No.	PART #	DESCRIPTION	QTY	No.	PART #	DESCRIPTION	QTY
①	18073-L	Latch Style Hanger Assy—90°, Left	1 ea.		18077-R	Latching Assembly—90° - Right	1 ea.
	18073-R	Latch Style Hanger Assy—90°, Right	1 ea.		18077-2	Latching Assemblies—90°	1 pr.
	18073-2	Latch Style Hanger Assemblies	1 pr.	7	18078-L	Latching Assembly - 75°, Left	1 ea.
②	18074-L	Latch Style Hanger Assy—75°, Left	1 ea.		18078-R	Latching Assembly - 75°, Right	1 ea.
	18074-R	Latch Style Hanger Assy—75°, Right	1 ea.		18078-2	Latching Assemblies - 75°	1 pr.
	18074-2	Latch Style Hanger Assemblies—75°	1 pr.	8	3012	Pivot Fitting - Latch Style	1 ea.
③	20082-1	Hanger Extension Assembly - 1/2" - 4 1/2" Long	1 ea.	9	18079-1	Hanger Insert	1 ea.
	20082-2	Hanger Extension Assemblies 1/2" - 4 1/2" Long	1 pr.	10	18080-1	Molded Latch Base	1 ea.
	20083-1	Hanger Extension Assembly 1/2" - 6 1/2" Long	1 ea.	11	18081-1	Latching Pawls	1 set
	20083-2	Hanger Extension Assemblies 1/2" - 6 1/2" Long	1 pr.	12	18082-1	Latch Spring	1 ea.
4	18075-L	Latch Style Hanger Tube—90°, Left	1 ea.	13	18083-L	Release Lever - Left	1 ea.
	18075-R	Latch Style Hanger Tube—90°, Right	1 ea.		18083-R	Release Lever - Right	1 ea.
	18075-2	Latch Style Hanger Tubes—90°	1 pr.	14	18084-1	Release Lever Bushing	1 ea.
5	18076-L	Latch Style Hanger Tube—75°, Left	1 ea.	15	18085-1	Screw, 1/4-20 x 1 1/2" Socket Head	1 ea.
	18076-R	Latch Style Hanger Tube—75°, Right	1 ea.	16	18086-1	Screw, 10-32 x 1" Button Head	1 ea.
	18076-2	Latch Style Hanger Tubes —75°	1 pr.	17	9086	Locknut, 10-32 Nylon	1 ea.
6	18077-L	Latching Assembly—90° - Left	1 ea.	18	9031A	Washer, #10 Flat	1 ea.

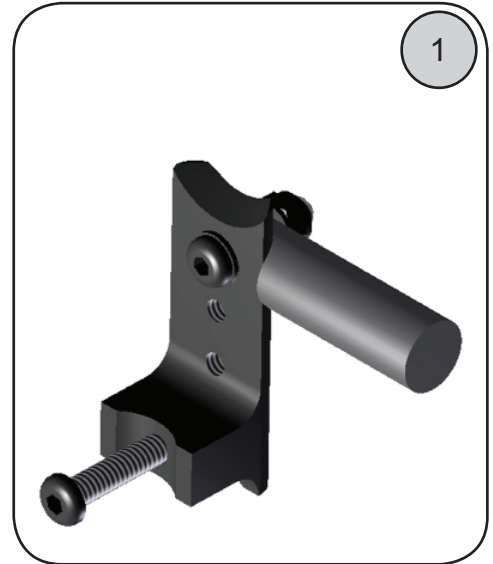
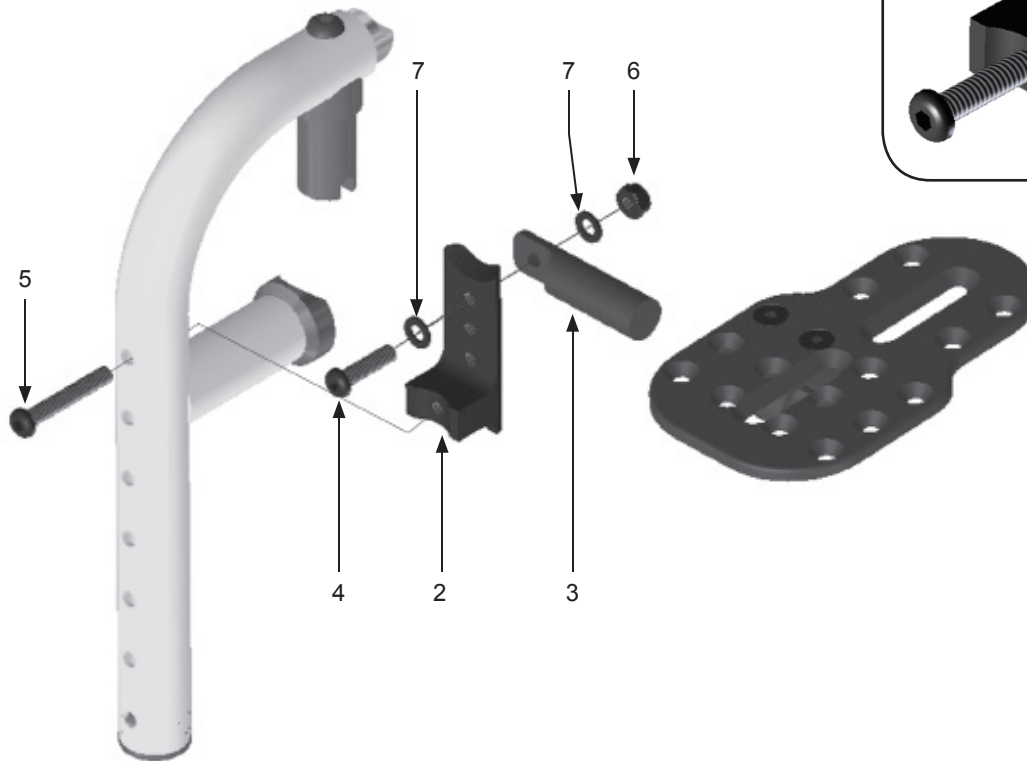
Hangers—Pop Up



These hangers require footplate assemblies shown on pages 17 & 18.

No.	PART #	DESCRIPTION	QTY	No.	PART #	DESCRIPTION	QTY
①	20086-1	Pop Up Hanger Assembly—90°	1 ea.	4	20089-1	Pop Up Hanger Support Tube—90°	1 ea.
	20086-2	Pop Up Hanger Assembly—90°	1 pr.	5	20088-1	Pop Up Hanger Support Tube—75°	1 ea.
②	20087-1	Pop Up Hanger Assembly—75°	1 ea.	6	3013	Pivot Fitting—Pop Up	1 ea.
	20087-2	Pop Up Hanger Assembly—75°	1 pr.	7	1015	Alignment Guide	1 ea.
③	13026-1	Hanger Extension Assembly— 1/2"—4 1/2" Long	1 ea.	8	1010	Locking Insert	1 ea.
	13026-2	Hanger Extension Assemblies— 1/2"—4 1/2" Long	1 pr.	9	9000	Tube Plug, 1"	1 ea.
	13027-1	Hanger Extension Assembly— 1/2"—6 1/2" Long	1 ea.	10	9036	Screw, 1/4-20 x 1 3/4" Button Head	1 ea.
	13027-2	Hanger Extension Assemblies— 1/2"—6 1/2" Long	1 pr.	11	9046	Screw, 1/4-20 x 3/4" Flat Head	1 ea.

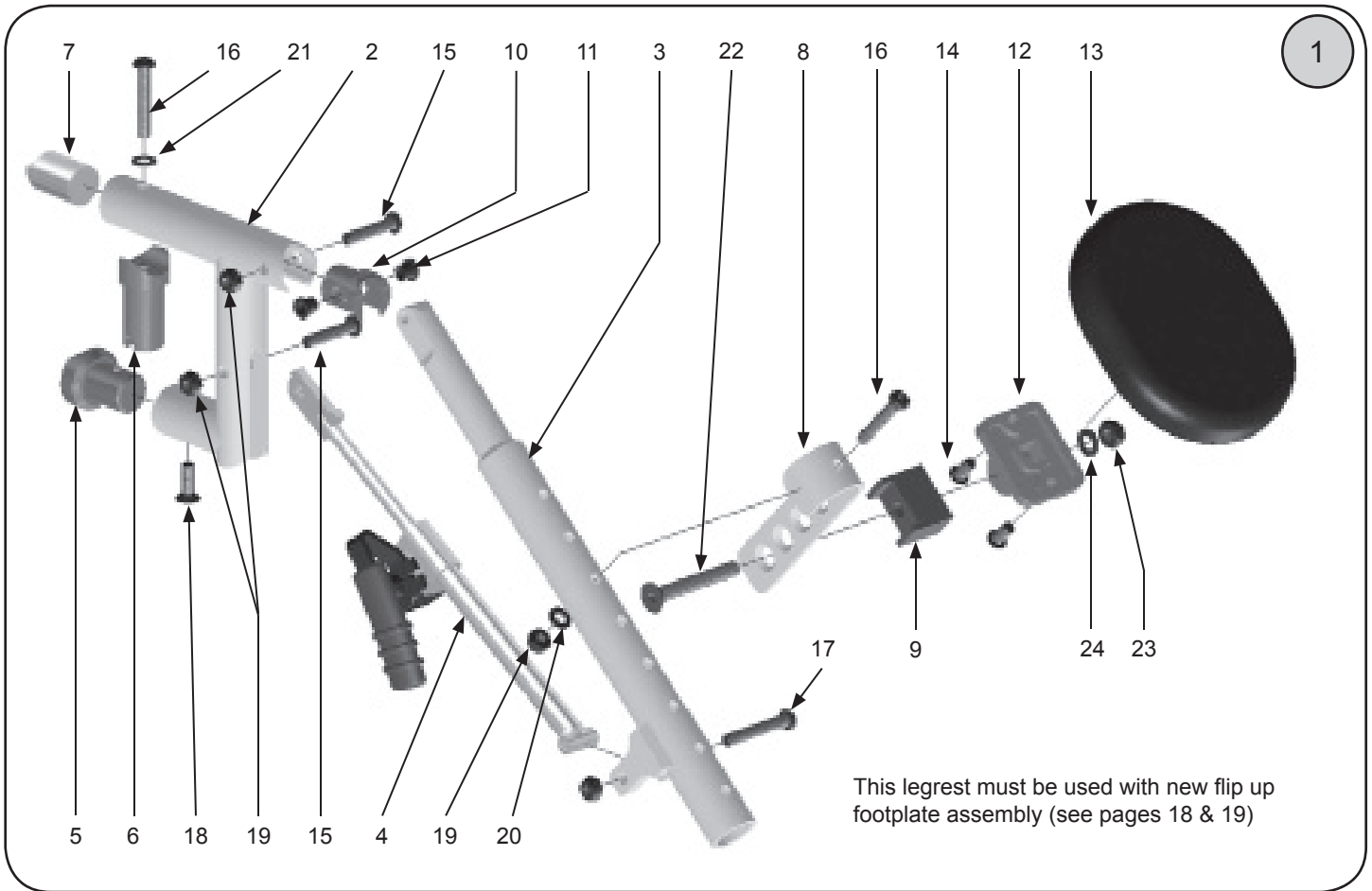
High Mount Footplate Bracket



Note:
High mounts are only available with pop-up style footrest hangers.

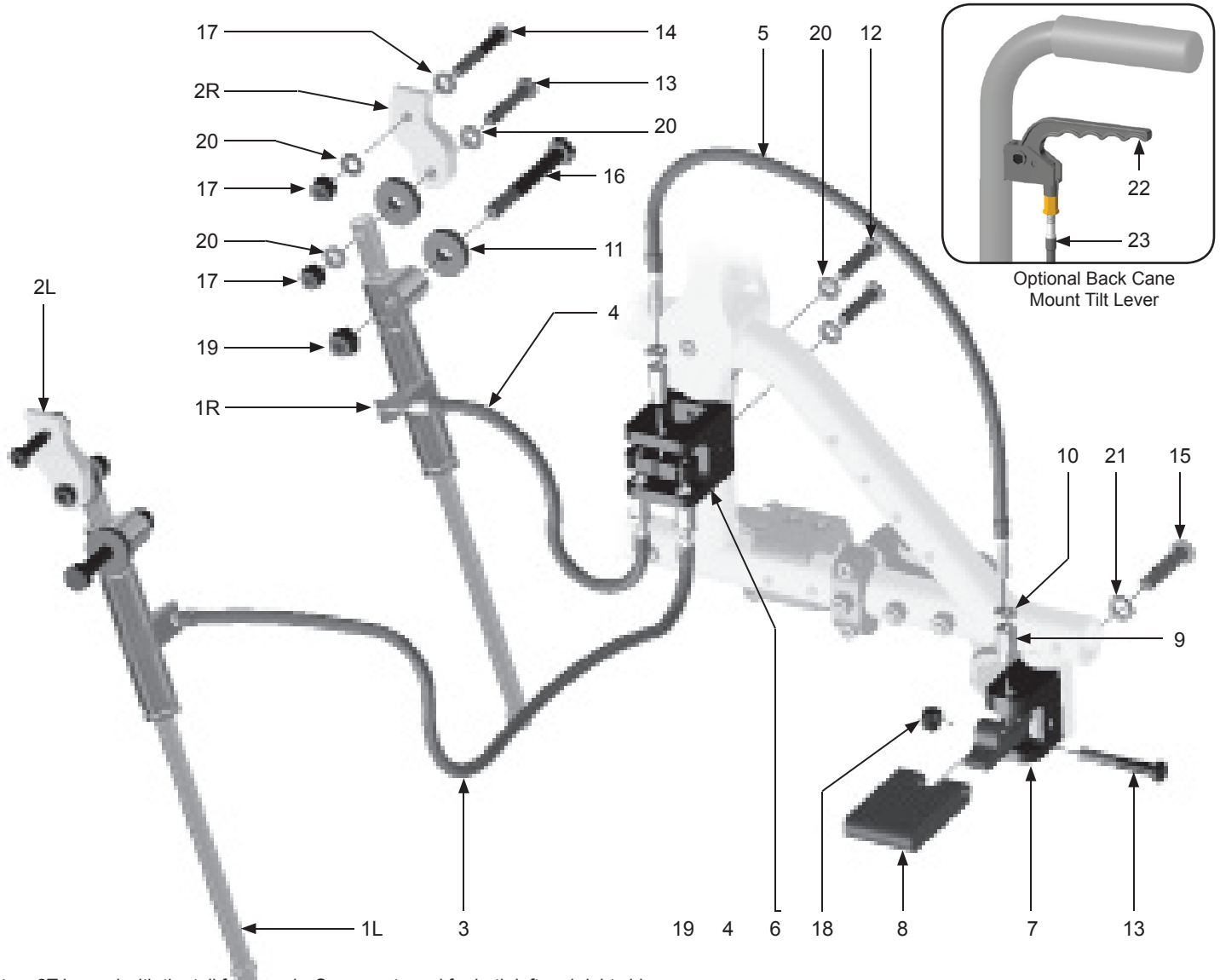
No.	PART #	DESCRIPTION	QTY	No.	PART #	DESCRIPTION	QTY
①	18136-L	High Mount Bracket Assembly - Left	1 ea.	4	9033	Screw, 1/4-20 x 1" Button Head	1 ea.
	18136-R	High Mount Bracket Assembly - Right	1 pr.	5	9035	Screw, 1/4-20 x 1 1/2" Button Head	1 ea.
	18136-2	High Mount Bracket Assemblies	1 pr.	6	9073	Locknut, 1/4-20 Nylon - Thin	1 ea.
2	18137-1	High Mount Bracket	1 ea.	7	9074	Washer, 1/4" Flat	1 ea.
3	18138-1	Swivel Bar, Footplate - High Mount	1 ea.				

Hangers—Pop Up Elevating Legrest



No.	PART #	DESCRIPTION	QTY	No.	PART #	DESCRIPTION	QTY
①	14180-L	ELR Assy w/o Pad & Footplate, Left	1 ea.	9	14191	Calf Pad Angle Stop	1 ea.
	14180-R	ELR Assy w/o Pad & Footplate, Right	1 ea.	10	14192	Pivot Insert	1 ea.
	14180	ELR Assy w/o Pads & Footplates, Pair	1 pr.	11	14193	Pivot Insert Bushing	1 ea.
	14181-L	ELR Assy w/ Pad , w/o Footplate, Left	1 ea.	12	14209	Calf Pad Mount Plate	1 ea.
	14181-R	ELR Assy w/ Pad , w/o Footplate, Right	1 ea.	13	14210-1	Calf Pad	1 ea.
	14181	ELR Assy w/ Pads, w/o Footplates, Pair	1 pr.		14210-2	Calf Pads	1 pr.
	14182-L	ELR Assy w/ Pad & Footplate, Left	1 ea.	14	9032	Screw, 1/4-20 X 3/4" Button Head	1 ea.
	14182-R	ELR Assy w/ Pad & Footplate, Right	1 ea.	15	9034	Screw, 1/4-20 X 1 1/4" Button Head	1 ea.
	14182	ELR Assy w/ Pads & Footplates, Pair	1 pr.	16	9036	Screw, 1/4-20 X 1 3/4" Button Head	1 ea.
2	14211-1	Hanger Weldment, Pop Up	1 ea.	17	10003	Screw, 1/4-20 X 1 5/8" Button Head	1 ea.
	14211-2	Hanger Weldment, Pop Up	1 pr.	18	9046	Screw, 1/4-20 x 3/4" Flat Head	1 ea.
3	14173	Length Adjustment Tube	1 ea.	19	9073	Locknut, 1/4-20 Nylon - Thin	1 ea.
4	14190-L	Locking Mechanism—Left	1 ea.	20	9074	Washer, 1/4" Flat	1 ea.
	14190-R	Locking Mechanism—Right	1 ea.	21	9075	Washer, 1/4" Flat, Thin	1 ea.
5	1015	Alignment Guide	1 ea.	22	10005	Screw, 5/16-18 X 2 1/4" Flat Head	1 ea.
6	3013	Pivot Fitting—Pop Up Style	1 ea.	23	9088	Locknut, 5/16-18, Thin	1 ea.
7	1010	Locking Insert	1 ea.	24	9090	Washer, 5/16 Flat	1 ea.
8	14194	Pad Mount Hook	1 ea.				

Tilt Mechanism, Cables & Cable Releases

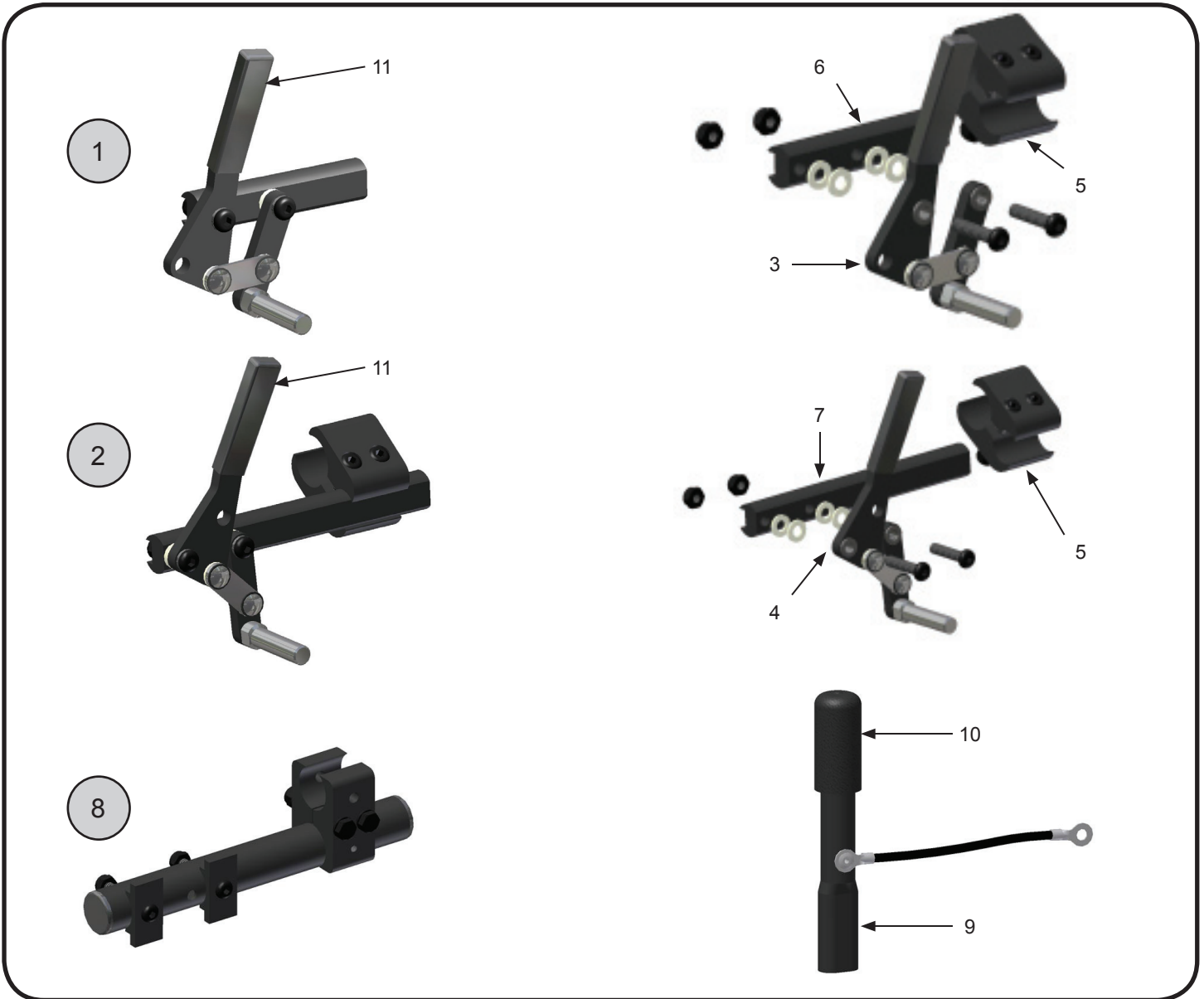


*Item 2T is used with the tall frame only. Same part used for both left and right side.

No.	PART #	DESCRIPTION	QTY	No.	PART #	DESCRIPTION	QTY
1L	18091-L	Mech Lock - Left	1 ea.	11	18099-1	Rubber Bushing	1 ea.
1R	18091-R	Mech Lock - Right	1 ea.	12	9034	Screw, 1/4-20 x 1 1/4" Button Head	1 ea.
2L	18092-L	Mount - Mech Lock - Left	1 ea.	13	9035	Screw, 1/4-20 x 1 1/2" Button Head	1 ea.
2R	18092-R	Mount - Mech Lock - Right	1 ea.	14	9036	Screw, 1/4-20 x 1 3/4" Button Head	1 ea.
2T	18088	*Mount - Mech Lock - Tall	1 ea.	15	9036A	Screw, 5/16-18 x 1 1/2" Button Head	1 ea.
3	18093-L	Cable Assembly - Left	1 ea.	16	9083	Screw, 5/16-18 x 2 3/4" Hex Head	1 ea.
4	18093-R	Cable Assembly - Right	1 ea.	17	9072	Locknut, 1/4-20 Nylon	1 ea.
5	18094-1	Cable Assembly - Foot Release	1 ea.	18	9073	Locknut, 1/4-20 Nylon - Thin	1 ea.
6	18095-1	Tilt Arm Housing Assembly	1 ea.	19	9088	Locknut, 5/16-18 Nylon	1 ea.
7	18096-1	Rear Cable Receiver Assembly	1 ea.	20	9074	Washer, 1/4" Flat	1 ea.
8	18097-1	Release Pedal	1 ea.	21	9089	Washer, 5/16" Flat	1 ea.
9	18098-1	Cable End Fitting	1 ea.	22	12006	Composite Tilt Handle	1 ea.
10	12009	Tilt Nut	1 ea.	23	18100-1	Cable Assembly - Hand Release	1 ea.

Foot Actuated Wheel Locks

Wheel Locks—Lever Style & Accessories



No.	PART #	DESCRIPTION	QTY	No.	PART #	DESCRIPTION	QTY
①	5005	Push to Lock Wheel Lock—Left (no clamp)	1 ea.	4	5025-L	Pull to Lock Lever Assembly—Left	1 ea.
	5004	Push to Lock Wheel Lock—Right (no clamp)	1 ea.		5025-R	Pull to Lock Lever Assembly—Right	1 ea.
	10060-L	Push to Lock Wheel Lock / Clamp—Left	1 ea.		5025-2	Pull to Lock Lever Assemblies	1 pr.
	10060-R	Push to Lock Wheel Lock / Clamp—Right	1 ea.	5	5015	Wheel Lock Mounting Clamp	1 ea.
	10060-2	Push to Lock Wheel Locks	1 pr.	6	5018	Wheel Lock Swivel Arm—Short (4")	1 ea.
②	5007	Pull to Lock Wheel Lock—Left (no clamp)	1 ea.	7	5019	Wheel Lock Swivel Arm—Long (6")	1 ea.
	5006	Pull to Lock Wheel Lock—Right (no clamp)	1 ea.	⑧	10065-L	Wheel Lock Mounting Tube Kit—Left	1 ea.
	10061-L	Pull to Lock Wheel Lock / Clamp—Left	1 ea.		10065-R	Wheel Lock Mounting Tube Kit—Right	1 ea.
	10061-R	Pull to Lock Wheel Lock / Clamp - Right	1 ea.		10065-2	Wheel Lock Mounting Tube Kits	1 pr.
	10061-2	Pull to Lock Wheel Locks / Clamps	1 pr.	9	10064-2	Lock Extensions	1 pr.
3	5024-L	Push to Lock Lever Assembly—Left	1 ea.	10	5016B	Cap for Wheel Lock Extension	1 ea.
	5024-R	Push to Lock Lever Assembly—Right	1 ea.	11	5016C-1	Plastic Cap for Wheel Lock Handle	1 ea.
	5024-2	Push to Lock Lever Assemblies	1 pr.				

Wheels—Assemblies



12" Poly



12" Pneumatic



16" Pneumatic



18" Pneumatic



Mag Wheel
20, 22 & 24"



Spoke Wheel
20, 22 & 24"

Mag Wheel with Tire & Tube

PART #	DESCRIPTION	QTY	PART #	DESCRIPTION	QTY
11222-1	12" Mag Wheel With Tire & Tube	1 ea.	11226-1	20" Mag Wheel With Tire & Tube	1 ea.
11223-1	12" Polyurethane Wheel	1 ea.	11227-1	22" Mag Wheel With Tire & Tube	1 ea.
11224-1	16" Mag Wheel With Tire & Tube	1 ea.	11228-1	24" Mag Wheel With Tire & Tube	1 ea.
11225-1	18" Mag Wheel With Tire & Tube	1 ea.			

Mag Wheel with Tire & Insert

PART #	DESCRIPTION	QTY	PART #	DESCRIPTION	QTY
11200-1	12" Mag Wheel With Tire and Insert	1 ea.	11203-1	20" Mag Wheel With Tire and Insert	1 ea.
11201-1	16" Mag Wheel With Tire and Insert	1 ea.	11204-1	22" Mag Wheel With Tire and Insert	1 ea.
11202-1	18" Mag Wheel With Tire and Insert	1 ea.	11205-1	24" Mag Wheel With Tire and Insert	1 ea.

Mag Wheel with Tire, Tube & Handrim

PART #	DESCRIPTION	QTY	PART #	DESCRIPTION	QTY
11233-1	16" Mag Wheel / Tire , Tube & Handrim	1 ea.	11232-1	24" Mag Wheel / Tire , Tube & Handrim	1 ea.
11229-1	18" Mag Wheel / Tire , Tube & Handrim	1 ea.	11238-1	20" Mag Wheel / Tire, Tube & Plastic Handrim	1 ea.
11230-1	20" Mag Wheel / Tire , Tube & Handrim	1 ea.	11239-1	22" Mag Wheel / Tire, Tube & Plastic Handrim	1 ea.
11231-1	22" Mag Wheel / Tire , Tube & Handrim	1 ea.	11240-1	24" Mag Wheel / Tire, Tube & Plastic Handrim	1 ea.

Mag Wheel with Tire, Insert & Handrim

PART #	DESCRIPTION	QTY	PART #	DESCRIPTION	QTY
11234-1	16" Mag Wheel with Tire, Insert & Handrim	1 ea.	11209-1	24" Mag Wheel with Tire, Insert & Handrim	1 ea.
11206-1	18" Mag Wheel with Tire, Insert & Handrim	1 ea.	11235-1	20" Mag Wheel / Tire, Insert & Plastic Handrim	1 ea.
11207-1	20" Mag Wheel with Tire, Insert & Handrim	1 ea.	11236-1	22" Mag Wheel / Tire, Insert & Plastic Handrim	1 ea.
11208-1	22" Mag Wheel with Tire, Insert & Handrim	1 ea.	11237-1	24" Mag Wheel / Tire, Insert & Plastic Handrim	1 ea.

Spoke Wheel with Tire & Tube

PART #	DESCRIPTION	QTY	PART #	DESCRIPTION	QTY
11216-1	20" Spoke Wheel with Tire & Tube	1 ea.	11213-1	20" Spoke Wheel with Tire & Insert	1 ea.
11217-1	22" Spoke Wheel with Tire & Tube	1 ea.	11214-1	22" Spoke Wheel with Tire & Insert	1 ea.
11218-1	24" Spoke Wheel with Tire & Tube	1 ea.	11215-1	24" Spoke Wheel with Tire & Insert	1 ea.

Spoke Wheel with Tire & Insert

Spoke Wheel / Tire, Insert, Tube & Handrim

PART #	DESCRIPTION	QTY	PART #	DESCRIPTION	QTY
11219-1	20" Spoke with Tire, Tube & Handrim	1 ea.	11210-1	20" Spoke with Tire, Insert & Handrim	1 ea.
11220-1	22" Spoke with Tire, Tube & Handrim	1 ea.	11211-1	22" Spoke with Tire, Insert & Handrim	1 ea.
11221-1	24" Spoke with Tire, Tube & Handrim	1 ea.	11212-1	24" Spoke with Tire, Insert & Handrim	1 ea.

Spoke Wheel / Tire, Insert & Handrim

Wheels—Wheel Options

Wheels Only

PART #	DESCRIPTION	QTY	PART #	DESCRIPTION	QTY
4020	12" Mag Wheel with Bearings	1 ea.	4024	22" Mag Wheel with Bearings	1 ea.
4021	16" Mag Wheel with Bearings	1 ea.	4024a	22" Spoke Wheel with Bearings	1 ea.
4022	18" Mag Wheel with Bearings	1 ea.	4025	24" Mag Wheel with Bearings	1 ea.
4023	20" Mag Wheel with Bearings	1 ea.	4025a	24" Spoke Wheel with Bearings	1 ea.
4023a	20" Spoke Wheel with Bearings	1 ea.			

Tires

PART #	DESCRIPTION	QTY	PART #	DESCRIPTION	QTY
4028	12 1/2" x 2 1/4" Poly Tire	1 ea.	4033	20" x 1 3/8" Pneumatic Tire	1 ea.
4029	12 1/2" x 2 1/4" Pneumatic Tire	1 ea.	4034	22" x 1 3/8" Pneumatic Tire	1 ea.
4031	16" x 1 3/4" Pneumatic Tire	1 ea.	4035	24" x 1 3/8" Pneumatic Tire	1 ea.
4032	18" x 1 3/4" Pneumatic Tire	1 ea.			

Inner Tubes

PART #	DESCRIPTION	QTY	PART #	DESCRIPTION	QTY
4036	12 1/2" x 2 1/4" Inner Tube	1 ea.	4039	20" x 1 3/8" Inner Tube	1 ea.
4037	16" x 1 3/4" Inner Tube	1 ea.	4040	22" x 1 3/8" Inner Tube	1 ea.
4038	18" x 1 3/4" Inner Tube	1 ea.	4041	24" x 1 3/8" Inner Tube	1 ea.

Solid Inserts

PART #	DESCRIPTION	QTY	PART #	DESCRIPTION	QTY
4042	12 1/2" x 2 1/4" Solid Insert	1 ea.	4045	20" x 1 3/8" Solid Insert	1 ea.
4043	16" x 1 3/4" Solid Insert	1 ea.	4046	22" x 1 3/8" Solid Insert	1 ea.
4044	18" x 1 3/4" Solid Insert	1 ea.	4047	24" x 1 3/8" Solid Insert	1 ea.

Wheel Components

PART #	DESCRIPTION	QTY	PART #	DESCRIPTION	QTY
2009	1 1/8" x 1/2" Bearing	1 ea.	4058	Handrim Spacer	1 ea.
4000	Hub Cap	1 ea.			

Handrims

PART #	DESCRIPTION	QTY	PART #	DESCRIPTION	QTY
4048	20" Aluminum Handrim	1 ea.	4057	18" Aluminum Handrim	1 ea.
4049	22" Aluminum Handrim	1 ea.	4053	20" Plastic Coated Handrim	1 ea.
4050	24" Aluminum Handrim	1 ea.	4054	22" Plastic Coated Handrim	1 ea.
4056	16" Aluminum Handrim	1 ea.	4055	24" Plastic Coated Handrim	1 ea.

Spoke Guards

PART #	DESCRIPTION	QTY	PART #	DESCRIPTION	QTY
4090-2	20" Spoke Guards	1 pr.	4091-2	22" Spoke Guards	1 pr.
4092-2	24" Spoke Guards	1 pr.			

Warranty

Freedom Designs, Inc. Limited Warranty

PLEASE NOTE: THE WARRANTY BELOW HAS BEEN DRAFTED TO COMPLY WITH FEDERAL LAW APPLICABLE TO PRODUCTS MANUFACTURED AFTER JULY 4, 1975. THIS WARRANTY IS EXTENDED ONLY TO THE ORIGINAL PURCHASER/USER WHO PURCHASES THIS PRODUCT WHEN NEW AND UNUSED DIRECTLY FROM FREEDOM DESIGNS OR AN AUTHORIZED DEALER OR DISTRIBUTOR. THIS WARRANTY GIVES SPECIFIC LEGAL RIGHTS AND YOU MAY ALSO HAVE OTHER LEGAL RIGHTS WHICH VARY FROM STATE TO STATE.

Limited Warranty – USA: All Freedom Designs' wheelchair frames, quick release axles and hardware are warranted against defects in material and workmanship for **five (5) years** from the date of purchase. All other manufactured and distributed parts and components (including frame components, seating components, axle plates, armrests and backrests) are warranted for **one (1) year** from said purchase date. **There is no warranty for tires, tubes, and push handle grips.** If within such warranty periods any product component eligible for coverage under this warranty shall be proven to be defective, Freedom Designs will, at its option, either replace or repair the product, or will supply the original purchaser with replacement parts. Freedom Designs' sole obligation and your exclusive remedy under this warranty shall be limited to such repair and/or replacement of defective parts and shall not apply to problems arising from normal wear and tear or failure to adhere to the product instructions. This warranty does not include any labor or shipping charges incurred in replacement part installation or repair. Freedom Designs' sole obligation and your exclusive remedy under this warranty shall be limited to such repair and/or replacement.

Limited Warranty - International: All Freedom Designs' wheelchair frames & quick release axles are warranted against defects in material and workmanship for **five (5) years** from the date of purchase. All other manufactured and distributed parts and components (including frame components, axle plates, armrests and backrests) are warranted for one (1) year from said purchase date. All hardware is warranted for **two (2) years** after the date of purchase to be free from defects and shall not apply to problems arising from normal wear and tear or failure to adhere to product instructions. **There is no warranty for tires, tubes, and push handle grips.** If within such warranty periods any product component eligible for coverage under this warranty shall be proven to be defective, Freedom Designs will, at its option, either replace or repair the product, or will supply the customer with replacement parts. Freedom Designs' sole obligation and your exclusive remedy under this warranty shall be limited to such repair and/or replacement. This warranty does not include any labor or shipping charges incurred in replacement part installation or repair. Freedom Designs' sole obligation and your exclusive remedy under this warranty shall be limited to such repair and/or replacement.

Limitations & Exclusions – USA & International: The foregoing limited warranties **shall not apply to:** Tires, tubes and push handle grips; Serial numbered products if the serial number has been removed or defaced; Products subjected to negligence, accident, improper operation, maintenance, or storage; Products modified without Freedom Designs' express written consent including, but not limited to, modification through the use of unauthorized parts or attachments; Products damaged by reason of repairs made to any component without the specific consent of Freedom Designs, or to products damaged by circumstances beyond Freedom Designs' control; Problems arising from normal wear or failure to adhere to these instructions; and with any such warranty eligibility evaluation to be solely determined by Freedom Designs;

THE FOREGOING LIMITED WARRANTIES ARE EXCLUSIVE AND IN LIEU OF ANY OTHER WARRANTIES WHATSOEVER, WHETHER EXPRESS OR IMPLIED, INCLUDING THE IMPLIED WARRANTIES OF MERCHANTABILITY AND FITNESS FOR A PARTICULAR PURPOSE, AND THE SOLE REMEDY FOR VIOLATIONS OF ANY WARRANTY WHATSOEVER SHALL BE LIMITED TO REPAIR OR REPLACEMENT OF THE DEFECTIVE PRODUCT PURSUANT TO THE TERMS CONTAINED HEREIN. THE APPLICATION OF ANY IMPLIED WARRANTY WHATSOEVER SHALL NOT EXTEND BEYOND THE DURATION OF THE EXPRESS WARRANTY PROVIDED HEREIN. FREEDOM DESIGNS SHALL NOT BE LIABLE FOR ANY CONSEQUENTIAL OR INCIDENTAL DAMAGES WHATSOEVER. THESE WARRANTIES SHALL BE EXTENDED TO COMPLY WITH STATE PROVINCIAL LAWS AND REQUIREMENTS.

Returns: An authorization for return must be acquired by an established Freedom Designs, Inc. dealer/distributor before Freedom Designs will accept returned items. The dealer must return items to Freedom Designs, 2241 N. Madera Rd, Simi Valley, CA 93065 USA with freight pre-paid and fully insured with the R.A. # issued by customer service marked on the outside of the box. All returns must be received within 45 days of issuance of the R.A. #. Returns are subject to examination at the discretion of Freedom Designs and may be subject to a 25% restocking fee. Custom fabricated products are non-returnable.



Our kids are our passion.™