

Spare Parts Catalogue

Version: 2016/06/13a NL



Invacare® **Revato**



Yes, you can.®

General Information

For any order of spare parts the following information is required:

- Product type*
- Product name & model*
- Serial Number*
- Part-Number*
- Part-Description*

Exploded view drawings and code numbers are not contractual and subject to modification, in relation to Invacare® continuous product improvement policy to meet end users needs.

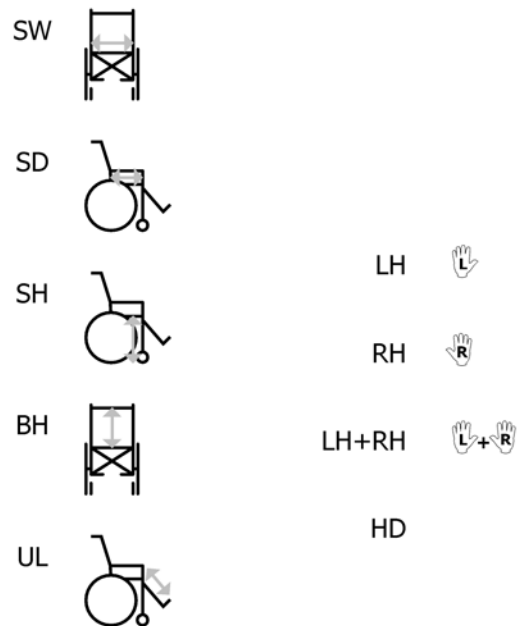
The reproduction or use of this work, or of any substantial part of this work, in any form or by any electronic, mechanical or other means, including photocopying, scanning and recording, and in any information storage and retrieval system, including electronic transmission, is forbidden without the prior written permission of Invacare® International Sarl.



Yes, you can.®

TABLE OF CONTENTS

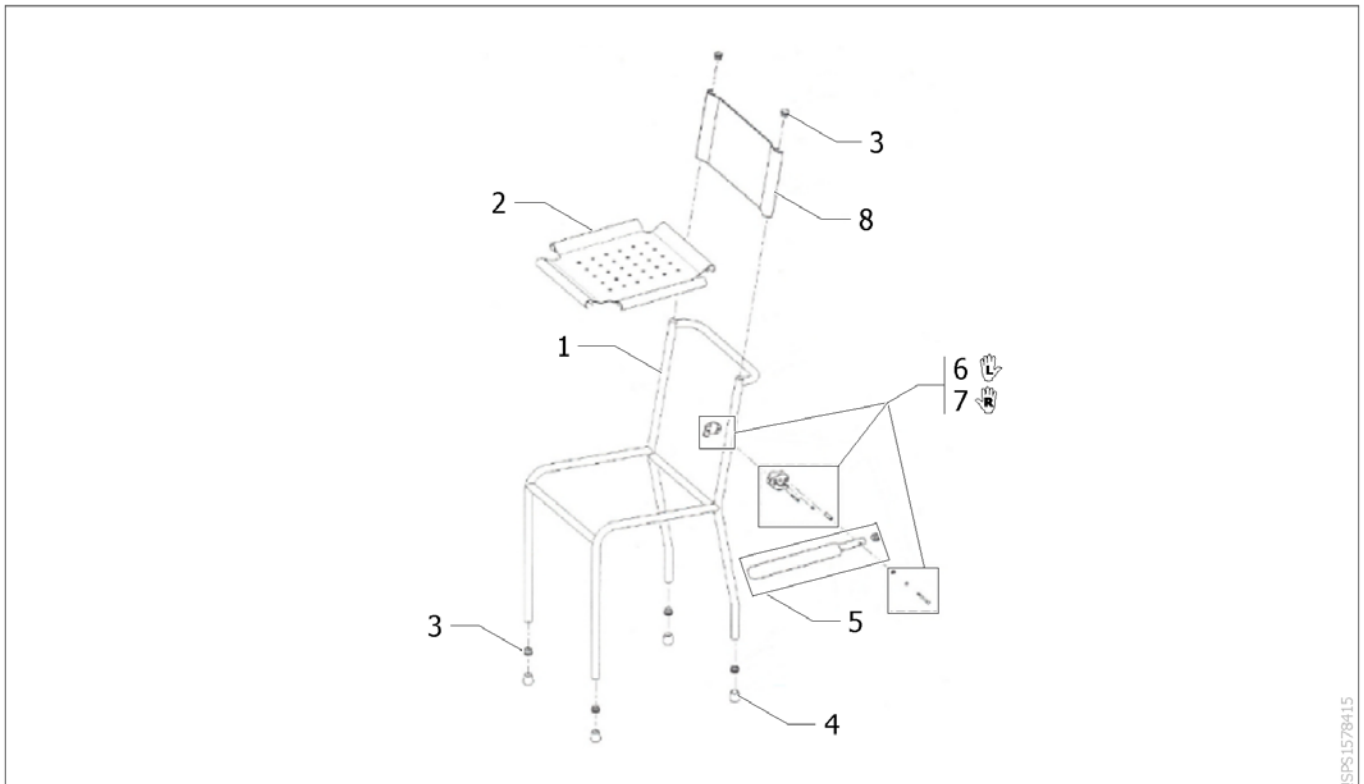
Afkortingen	5
(Shower chair fixed R7708,073 Revato)	6
(Shower chair fixed R7713,073 Revato)	7
(Shower chair to push R7710,073 Revato)	8
(Shower chair to puch R7711,073 Revato)	9
(Shower chair to push R7712,073 Revato)	10
(Shower chair to propel R7719,073 Revato)	12
(Shower chair to propel R7722,073 Revato)	14



18P5133721

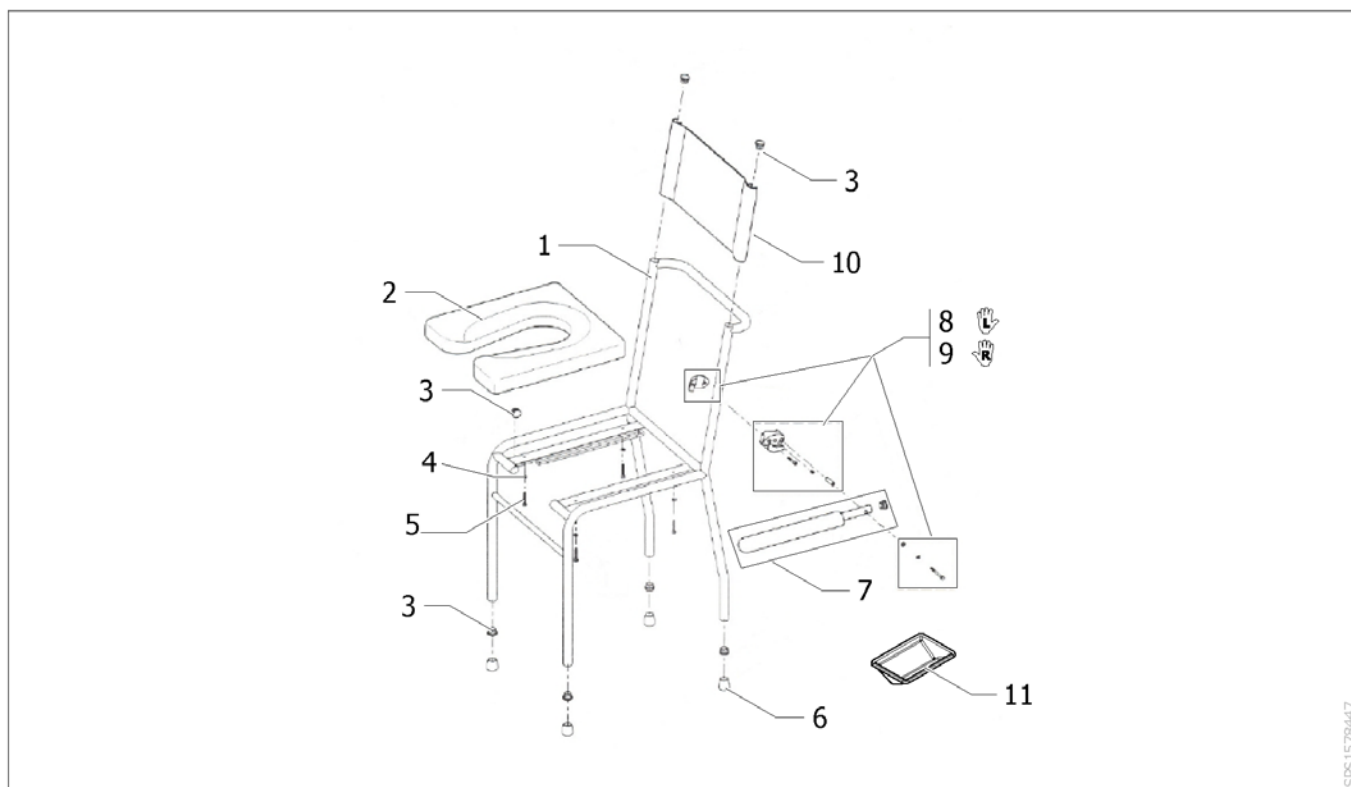
- SW	(Seat width (2 digits in cm) (3 digits in mm))	1
- SD	(Seat depth (2 digits in cm) (3 digits in mm))	1
- SH	(Seat height (2 digits in cm) (3 digits in mm))	1
- BH	(Backrest height (2 digits in cm) (3 digits in mm))	1
- UL	(Knee-to-heel height (2 digits in cm) (3 digits in mm))	1
- LH	(Left side (sitting in the wheelchair))	1
- RH	(Right side (sitting in the wheelchair))	1
- LH+RH	(An assembly of a left and a right part, referred to as "pair")	1
- HD	(Heavy duty version)	1

(Shower chair fixed R7708,073 Revato)



ISPS1578415

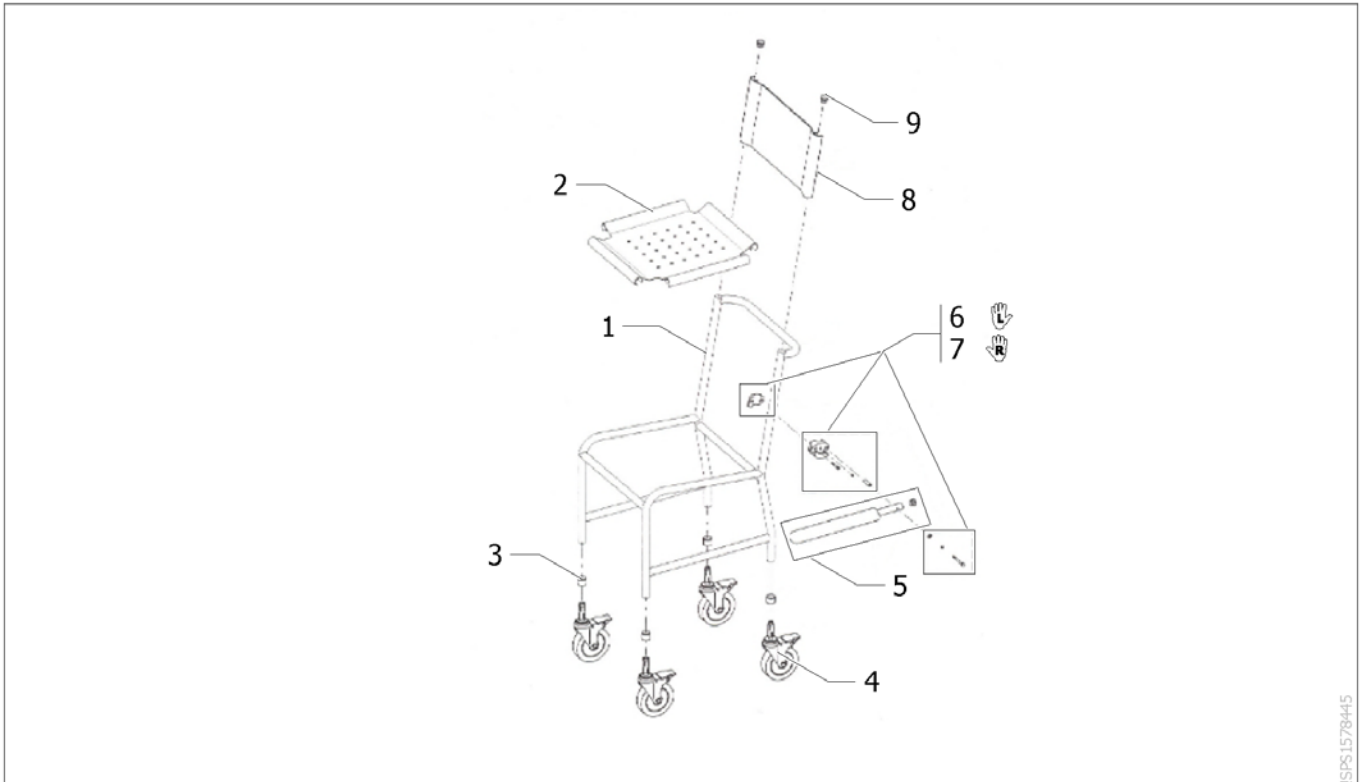
1	R7708,73,01	(Shower chair R7708 color white 9010 Revato)	1
2	R8820	RVT zitbespanning frame maat 45x45 std	1
3	3847,3800	RVT insteekdop zwart PE DO-25	6
4	3848,6500	RVT douche/toiletstoel omsteekdop 25,4 wit PS	4
5	1564632	(Fixed armrest chair Revato)	2
6	1564630	RVT armsteun klem links binnen en buiten	1
7	1564631	RVT armsteun klem rechts binnen en buiten	1
8	R8825	RVT rugbespanning 45x23 std	1
8	R8826	RVT rugbespanning 45x40 extra hoog	1
99	1433518	(Kit cap Pos.3 and 4 chair Revato R7708,073)	1

(Shower chair fixed R7713,073 Revato)

ISPS:1578447

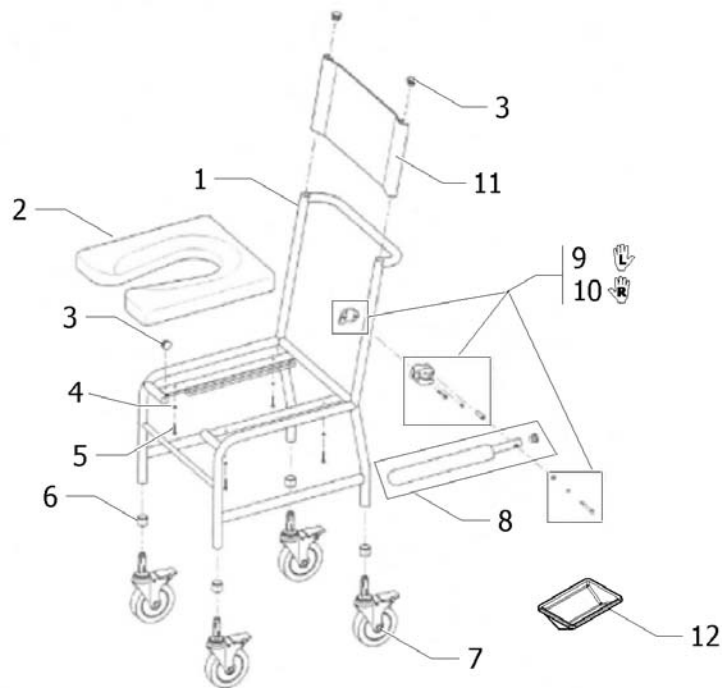
1	R7713,73,01	(Shower chair R7713 color white 9010 Revato)	1
2	1433611	(Toilet seat cushions chair Revato)	1
2	1433612	(Toilet seat cushions neoprene chair Revato)	1
3	3847,3800	RVT insteekdop zwart PE DO-25	8
4	2851,1000	RVT nylon ring bevestiging zitting	4
5	2120,0100	(Wood screw Tbc 4,5x35 A2 Z2)	4
6	3848,6500	RVT douche/toiletstoel omsteekdop 25,4 wit PS	4
7	1564632	(Fixed armrest chair Revato)	2
8	1564630	RVT armsteun klem links binnen en buiten	1
9	1564631	RVT armsteun klem rechts binnen en buiten	1
10	R8825	RVT rugbespanning 45x23 std	1
10	R8826	RVT rugbespanning 45x40 extra hoog	1
11	R28	RVT ondersteek+deksel RVS	1
11	R281	RVT toiletemmer+deksel RVS	1
99	1433597	(Kit cap Pos.3 and 6 chair Revato R7713,073)	1

(Shower chair to push R7710,073 Revato)



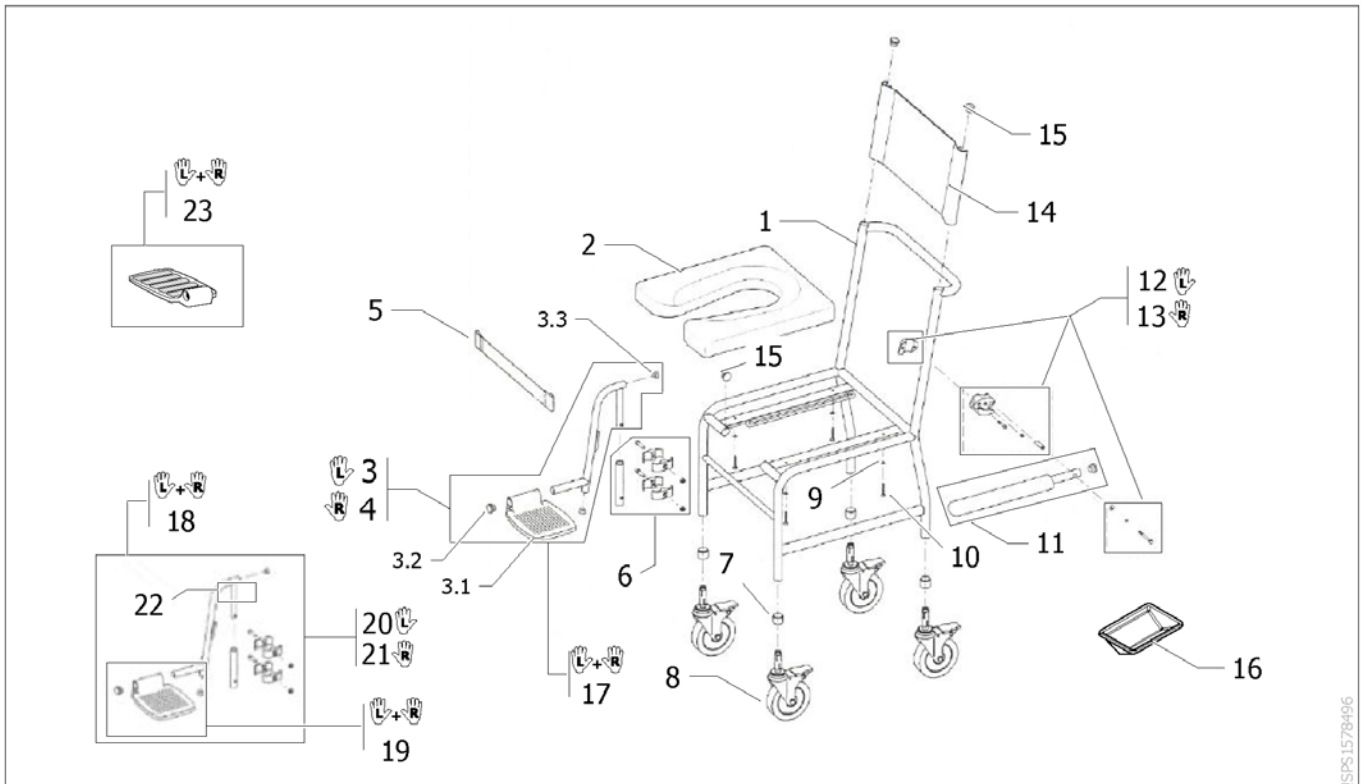
ISPS1578445

1	R7710,01	FRAME GECOAT7710,073		1
2	R8820	RVT zitbespanning frame maat 45x45 std		1
3	0572-03321	RVT eindkap tbv voorwiel		4
4	1563157	RVT wiel kunstst.125 incl rem >17/02/14 ps <i>Replace R50</i>	17.02.2014 →	4
4	1563260	RVT wiel kunstst.125 inc rem (set van 4) >17/2/14	→ 16.02.2014	1
5	1564632	(Fixed armrest chair Revato)		2
6	1564630	RVT armsteun klem links binnen en buiten		1
7	1564631	RVT armsteun klem rechts binnen en buiten		1
8	R8825	RVT rugbespanning 45x23 std		1
8	R8826	RVT rugbespanning 45x40 extra hoog		1
9	3847,3800	RVT insteekdop zwart PE DO-25		2
99	1433591	(Kit cap Pos.3 and 4 chair Revato R7710,073)		1

(Shower chair to puch R7711,073 Revato)

ISPS:1578330

1	R7712,73,02	FRAME GECOAT 7712,073		1
2	1433611	(Toilet seat cushions chair Revato)		1
2	1433612	(Toilet seat cushions neoprene chair Revato)		1
3	3847,3800	RVT insteekdop zwart PE DO-25		4
4	2851,1000	RVT nylon ring bevestiging zitting		4
5	2120,0100	(Wood screw Tbc 4,5x35 A2 Z2)		4
6	0572-03321	RVT eindkap tbv voorwiel		4
7	1563157	RVT wiel kunstst.125 incl rem >17/02/14 ps <i>Replace R50</i>	17.02.2014 →	4
7	1563260	RVT wiel kunstst.125 inc rem (set van 4) >17/2/14 <i>Replace R50</i>	→ 16.02.2014	1
8	1564632	(Fixed armrest chair Revato)		2
9	1564630	RVT armsteun klem links binnen en buiten		1
10	1564631	RVT armsteun klem rechts binnen en buiten		1
11	R8825	RVT rugbespanning 45x23 std		1
11	R8826	RVT rugbespanning 45x40 extra hoog		1
12	R28	RVT ondersteek+deksel RVS		1
12	R281	RVT toiletemmer+deksel RVS		1
99	1433594	(Kit cap Pos.3 and 6 chair Revato R7711,073 Kit cap Pos.7 and 15 chair Revato R7712,073)		1

(Shower chair to push R7712,073 Revato)

ISPS:1578496

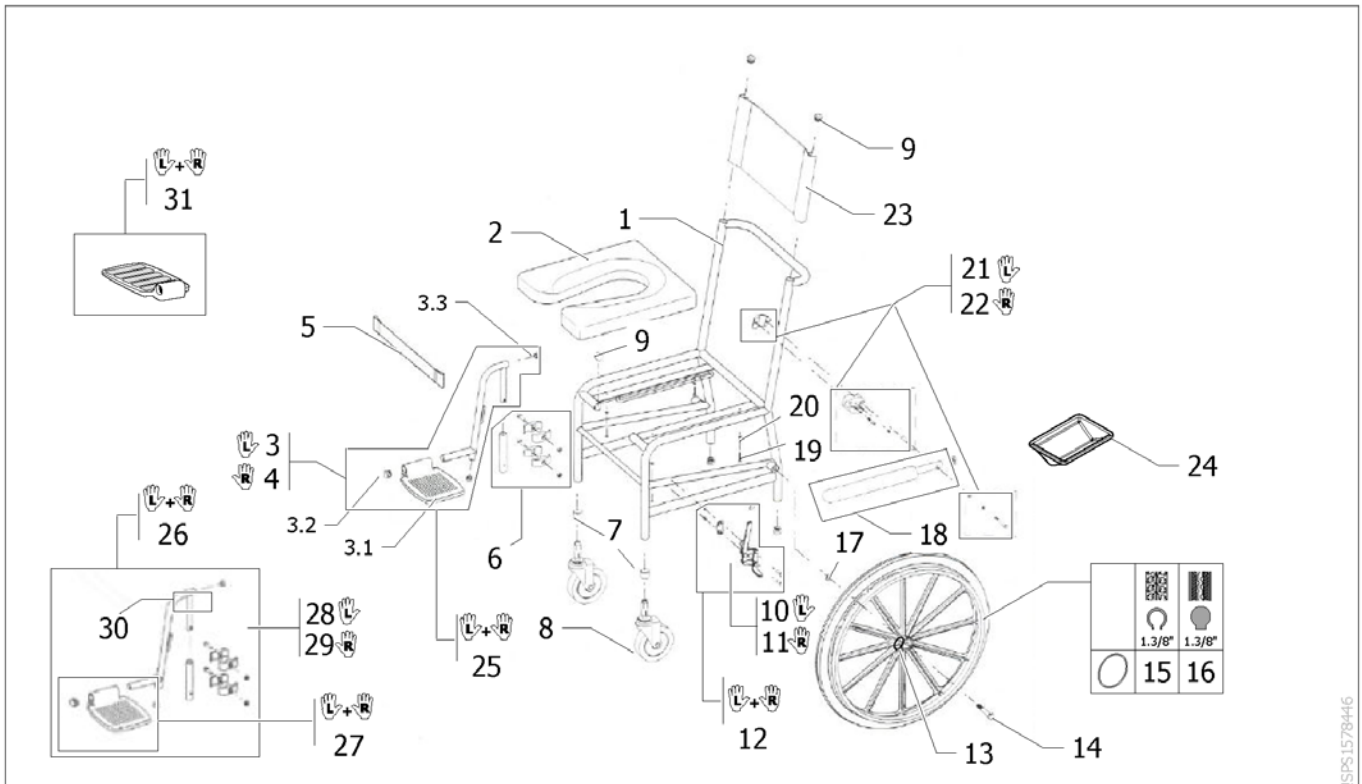
1	R7712,73,02	FRAME GECOAT 7712,073		1
2	1433611	(Toilet seat cushions chair Revato)		1
2	1433612	(Toilet seat cushions neoprene chair Revato)		1
3	1564591	(Lh footrest hanger chair Revato)	30.05.2014 →	1
3.1	SP1571446	RVT voetpl.kunststof zwart ps	30.05.2014 →	2
3.2	1418112	Action3 duwh.dop ps	30.05.2014 →	2
3.3	0021-20003	(Black Ø18 x 1.5 mm cylindrical cap)		2
4	1564592	(Rh footrest hanger chair Revato)	30.05.2014 →	1
5	1558518	Revato kuitband ps		1
6	1564633	RVT beenst.afn.bev.klem per stuk		2
7	0572-03321	RVT eindkap tbv voorwiel		4
8	1563157	RVT wiel kunstst.125 incl rem >17/02/14 ps <i>Replace R50</i>	17.02.2014 →	4
8	1563260	RVT wiel kunstst.125 inc rem (set van 4) >17/2/14	→ 16.02.2014	1
9	2851,1000	RVT nylon ring bevestiging zitting		4
10	2120,0100	(Wood screw Tbc 4,5x35 A2 Z2)		4
11	1564632	(Fixed armrest chair Revato)		2
12	1564630	RVT armsteun klem links binnen en buiten		1
13	1564631	RVT armsteun klem rechts binnen en buiten		1
14	R8825	RVT rugbespanning 45x23 std		1
14	R8826	RVT rugbespanning 45x40 extra hoog		1
15	3847,3800	RVT insteekdop zwart PE DO-25		4
16	R28	RVT ondersteek+deksel RVS		1
16	R281	RVT toilettemmer+deksel RVS		1
17	SP1571447	RVT beenst.afn.+voetpl.pp	→ 29.05.2014	1
18	SP1571448	RVT beenst.h.v.+kuitst.+voetpl.pp		1
19	SP1571614	(Pair of footrest Revato)	→ 29.05.2014	1
20	R31G	RVT beenst.+kuitst.+voetpl.li	30.05.2014 →	1
21	R31D	RVT beenst.+kuitst.+voetpl.re	30.05.2014 →	1
22	R70	RVT armst.vergr.pen+koord ps		2
23	R32	RVT voetpl.neopreen pp		1

(Shower chair to push R7712,073 Revato)

99 1433594

(Kit cap Pos.3 and 6 chair Revato R7711,073 Kit cap Pos.7 and 15 chair
Revato R7712,073)

1

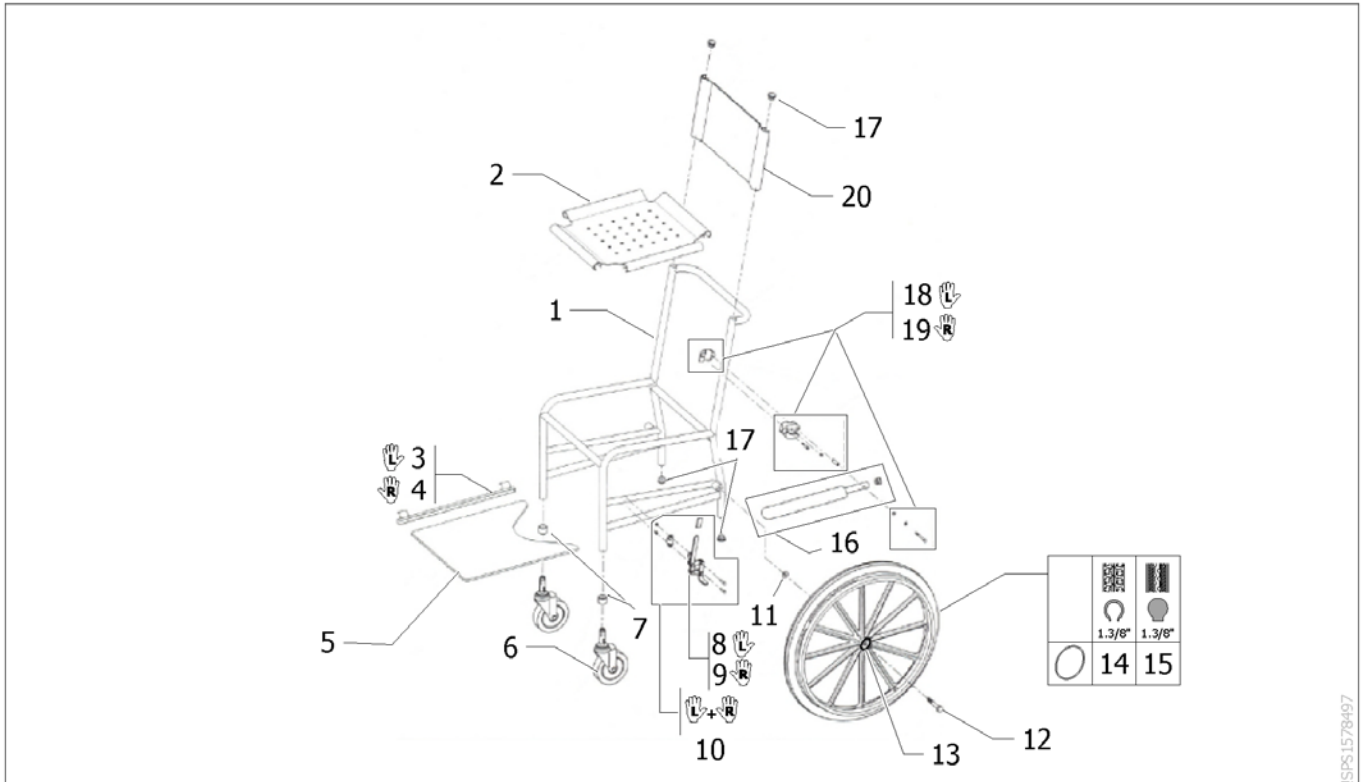
(Shower chair to propel R7719,073 Revato)

ISPS.1578446

1	R7719,73,02	(Shower chair R7719 color white 9010 Revato)		1
2	1433611	(Toilet seat cushions chair Revato)		1
2	1433612	(Toilet seat cushions neoprene chair Revato)		1
3	1564591	(Lh footrest hanger chair Revato)	30.05.2014 →	1
3.1	SP1571446	RVT voetpl.kunststof zwart ps	30.05.2014 →	2
3.2	1418112	Action3 duwh.dop ps	30.05.2014 →	2
3.3	0021-20003	(Black Ø18 x 1.5 mm cylindrical cap)		4
4	1564592	(Rh footrest hanger chair Revato)	30.05.2014 →	1
5	1558518	Revato kuitband ps		1
6	1564633	RVT beenst.afn.bev.klem per stuk		2
7	0572-03321	RVT eindkap tbv voorwiel		2
8	1563259	RVT wiel kunstst.125 excl rem ps >17/02/14 <i>Replace R51</i>	10.04.2014 →	2
8	1563261	RVT wiel kunstst.125 exc rem (set van 2) >16/2/14 <i>Replace R51</i>	→ 09.04.2014	1
9	3847,3800	RVT insteekdop zwart PE DO-25		6
10	1434364	RVT rem tbv.7719-7722 li		1
11	1434365	RVT rem tbv.7719-7722 re		1
12	1433600	(Pair brake Revato)		1
13	1558770	Revato R7719/7722 afdekdop moer achterwiel ps	14.10.2013 →	2
13	1450611	RVT afdekdopje lager voorwiel	→ 13.10.2013	2
14	2131,7150	RVT bout rvs m12x90 tbv 22'/24' wiel ps		2
15	1573067	RVT wiel 24x1.3/8' lucht alu hoepel	14.10.2013 →	2
15	1564616	(Pair of wheels 24" x 1.3/8" composite, anodized handrim, pneumatic Revato)	→ 13.10.2013	1
16	1573066	Revato 24x1 3/8 wiel + hoepel, pur band cpl	14.10.2013 →	2
16	1564617	RVT wiel 24' kunststof pur band pp	→ 13.10.2013	1
17	2151,6750	RVT A7753 douchebrancard elek.RVS sltrng DIN 125		2
18	1564632	(Fixed armrest chair Revato)		2
19	2120,0100	(Wood screw Tbc 4,5x35 A2 Z2)		4
20	2851,1000	RVT nylon ring bevestiging zitting		4
20	1564630	RVT armsteun klem links binnen en buiten		1

(Shower chair to propel R7719,073 Revato)

22	1564631	RVT armsteun klem rechts binnen en buiten		1
23	R8825	RVT rugbespanning 45x23 std		1
23	R8826	RVT rugbespanning 45x40 extra hoog		1
24	R28	RVT ondersteek+deksel RVS		1
24	R281	RVT toiletemmer+deksel RVS		1
25	SP1571447	RVT beenst.afn.+voetpl.pp	→ 29.05.2014	1
26	SP1571448	RVT beenst.h.v.+kuitst.+voetpl.pp		1
27	SP1571614	(Pair of footrest Revato)	→ 29.05.2014	1
28	R31G	RVT beenst.+kuitst.+voetpl.li	30.05.2014 →	1
29	R31D	RVT beenst.+kuitst.+voetpl.re	30.05.2014 →	1
30	R70	RVT armst.vergr.pen+koord ps		2
31	R32	RVT voetpl.neopreen pp		1
99	1433601	(Kit cap Pos.7 and 9 chair Revato R7719,073)		1

(Shower chair to propel R7722,073 Revato)

ISPS:1578497

1	R7720,073,01	(Shower chair R7722 color white 9010 Revato)		1
2	R8820	RVT zitbespanning frame maat 45x45 std		1
3	R33,01G	RVT rail tbv.trespa voetenplank uitschuifb.li		1
4	R33,01D	RVT rail tbv.trespa voetenplank uitschuifb.re		1
5	6810,9300	RVT voetplaat trespa R33 ex bev ps		1
6	1563259	RVT wiel kunstst.125 excl rem ps >17/02/14 <i>Replace R51</i>	10.04.2014 →	2
6	1563261	RVT wiel kunstst.125 exc rem (set van 2) >16/2/14 <i>Replace R51</i>	→ 09.04.2014	1
7	0572-03321	RVT eindkap tbv voorwiel		2
8	1434364	RVT rem tbv.7719-7722 li		1
9	1434365	RVT rem tbv.7719-7722 re		1
10	1433600	(Pair brake Revato)		1
11	2151,6750	RVT A7753 douchebrancard elek.RVS sltrng DIN 125		2
12	2131,7150	RVT bout rvs m12x90 tbv 22'/24' wiel ps		2
13	1558770	Revato R7719/7722 afdekdop moer achterwiel ps	14.10.2013 →	2
13	1450611	RVT afdekdopje lager voorwiel	→ 13.10.2013	2
14	1573067	RVT wiel 24x1.3/8' lucht alu hoepel	14.10.2013 →	2
14	1564616	(Pair of wheels 24" x 1.3/8"composite, anodized handrim, pneumatic Revato)	→ 13.10.2013	1
15	1573066	Revato 24x1 3/8 wiel + hoepel, pur band cpl	14.10.2013 →	2
15	1564617	RVT wiel 24' kunststof pur band pp	→ 13.10.2013	1
16	1564632	(Fixed armrest chair Revato)		2
17	3847,3800	RVT insteekdop zwart PE DO-25		4
18	1564630	RVT armsteun klem links binnen en buiten		1
19	1564631	RVT armsteun klem rechts binnen en buiten		1
20	R8825	RVT rugbespanning 45x23 std		1
20	R8826	RVT rugbespanning 45x40 extra hoog		1
99	1433602	(Kit cap Pos.7 and 17 chair Revato R7722,073)		1



Yes, you can.®



Belgium & Luxemburg:

Invacare nv, Autobaan 22, B-8210 Loppem
Tel: (32) (0)50 83 10 10, Fax: (32) (0)50 83 10 11
belgium@invacare.com / www.invacare.be

Denmark:

Invacare A/S, Sdr. Ringvej 37, DK-2605 Brøndby
Tel: (45) (0)36 90 00 00, Fax: (45) (0)36 90 00 01
denmark@invacare.com / www.invacare.dk

Deutschland:

Invacare Aquatec GmbH, Alemannenstraße 10, D-88316 Isny
Tel: (49) (0)75 62 7 00 0, Fax: (49) (0)75 62 7 00 66
info@invacare-aquatec.com / www.invacare-aquatec.de

European Distributor Organisation:

Invacare, Kleiststraße 49, D-32457 Porta Westfalica
Tel: (49) (0)57 31 754 540, Fax: (49) (0)57 31 754 541
edo@invacare.com / www.invacare.eu.com

España:

Invacare SA, c/Areny s/n, Polígon Industrial de Celrà, E-17460 Celrà (Girona)
Tel: (34) (0)972 49 32 00, Fax: (34) (0)972 49 32 20
contactsp@invacare.com / www.invacare.es

France:

Invacare Poirier SAS, Route de St Roch, F-37230 Fondettes
Tel: (33) (0)2 47 62 64 66, Fax: (33) (0)2 47 42 12 24
contactfr@invacare.com / www.invacare.fr

Ireland:

Invacare Ireland Ltd, Unit 5 Seatown Business Campus, Seatown Road, Swords, County Dublin - Ireland
Tel: (353) 1 810 7084, Fax: (353) 1 810 7085
ireland@invacare.com / www.invacare.ie

Italia:

Invacare Mecc San s.r.l., Via dei Pini 62, I-36016 Thiene (VI)
Tel: (39) 0445 38 00 59, Fax: (39) 0445 38 00 34
italia@invacare.com / www.invacare.it

Nederland:

Invacare BV, Celsiusstraat 46, NL-6716 BZ Ede
Tel: (31) (0)318 695 757, Fax: (31) (0)318 695 758
nederland@invacare.com, csede@invacare.com / www.invacare.nl

Norge:

Invacare AS, Grensesvingen 9, Postboks 6230, Etterstad, N-0603 Oslo
Tel: (47) (0)22 57 95 00, Fax: (47) (0)22 57 95 01
norway@invacare.com, island@invacare.com / www.invacare.no

Österreich:

Invacare Austria GmbH, Herzog Odilostrasse 101, A-5310 Mondsee
Tel: (43) 6232 5535 0, Fax: (43) 6232 5535 4
info-austria@invacare.com / www.invacare.at

Portugal:

Invacare Lda, Rua Estrada Velha, 949, P-4465-784 Leça do Balio
Tel: (351) (0)225 1059 46/47, Fax: (351) (0)225 1057 39
portugal@invacare.com / www.invacare.pt

Sverige & Suomi:

Invacare AB, Fagerstagatan 9, S-163 91 Spånga
Tel: (46) (0)8 761 70 90, Fax: (46) (0)8 761 81 08
sweden@invacare.com, finland@invacare.com / www.invacare.se

Switzerland:

Invacare AG, Benkenstrasse 260, CH-4108 Witterswil
Tel: (41) (0)61 487 70 80, Fax: (41) (0)61 487 70 81
switzerland@invacare.com / www.invacare.ch

United Kingdom:

Invacare Limited, Pencoed Technology Park, Pencoed, Bridgend CF35 5AQ
Switchboard Tel: (44) (0)1656 776200, Fax: (44) (0)1656 776201
Customer services Tel: (44) (0)1656 776222, Fax: (44) (0)1656 776220
uk@invacare.com / www.invacare.co.uk