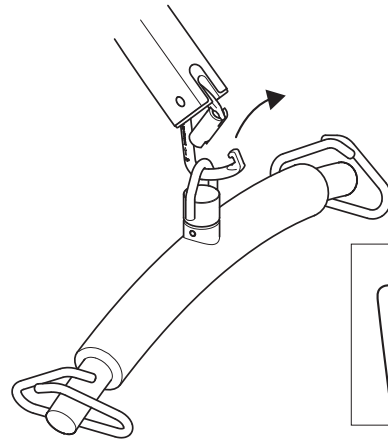
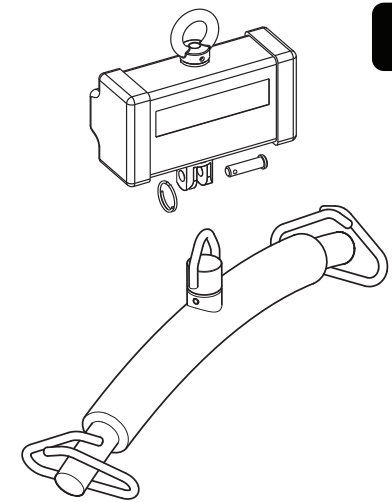


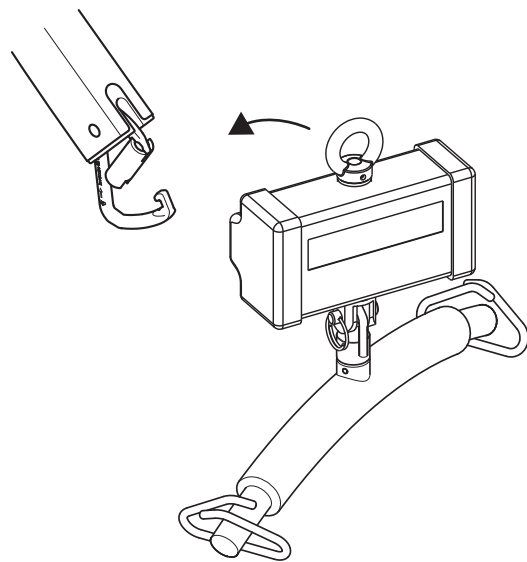
1



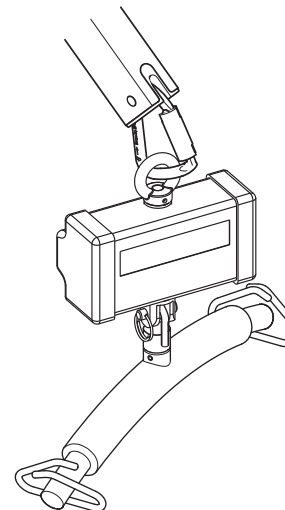
2



3



4



5



The procedures in this manual MUST be performed by a qualified technician.



I548572 F 2015-02-26

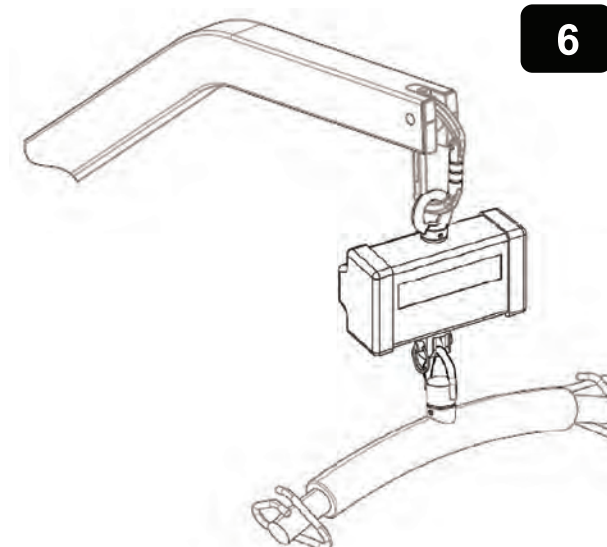
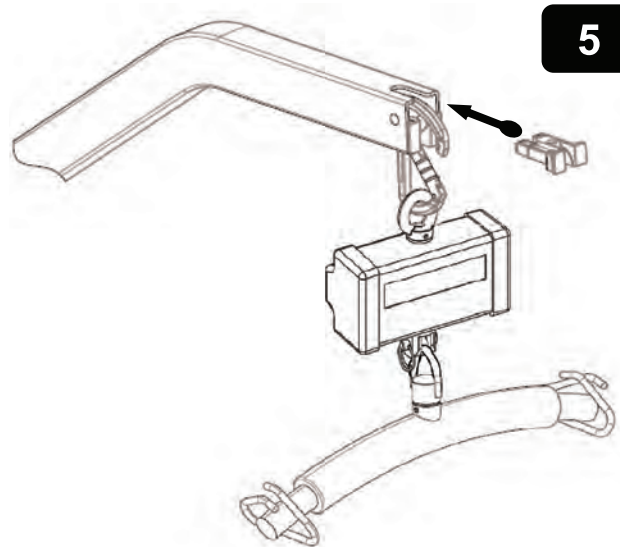
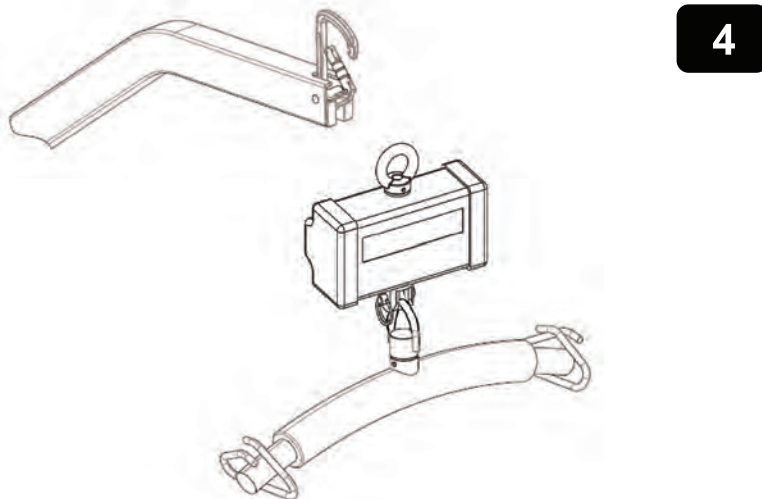
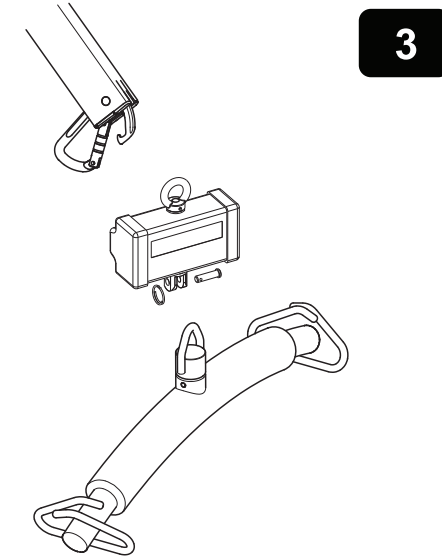
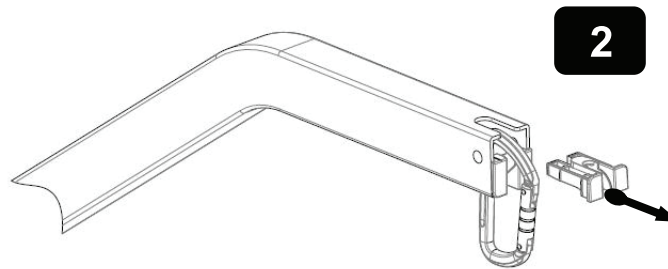
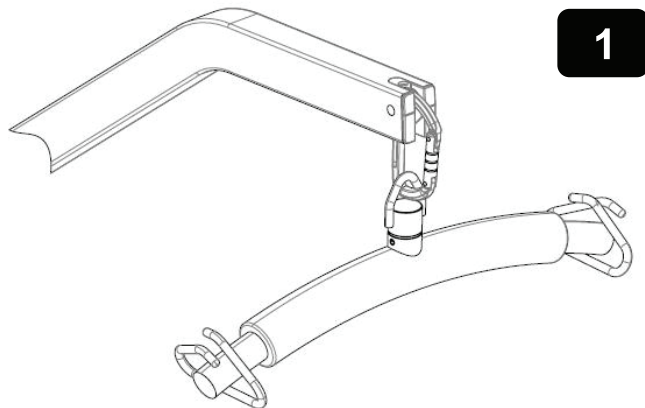
1/3



Invacare Portugal Ltd.
Rua Estrada Velha 949
4465-784 Leça do Balio, Portugal



Yes, you can.®



The procedures in this manual MUST be performed by a qualified technician.



I548572 F 2015-02-26

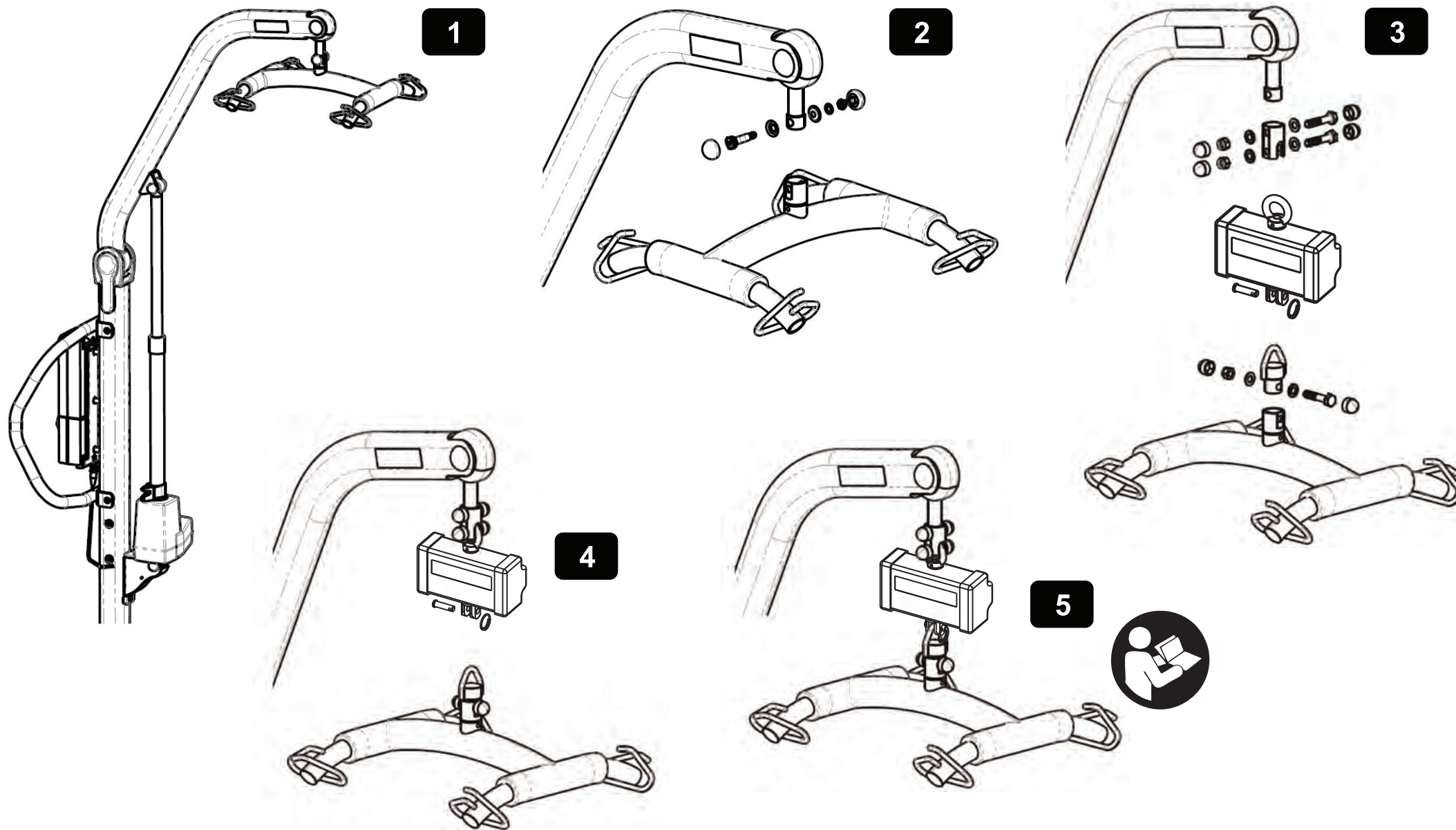
2/3



Invacare Portugal Ltd.
Rua Estrada Velha 949
4465-784 Leça do Balio, Portugal



Yes, you can.®



The procedures in this manual **MUST** be performed by a qualified technician.



1548572 F 2015-02-26

3/3



Invacare Portugal Ltd.
Rua Estrada Velha 949
4465-784 Leça do Balio, Portugal



Yes, you can.