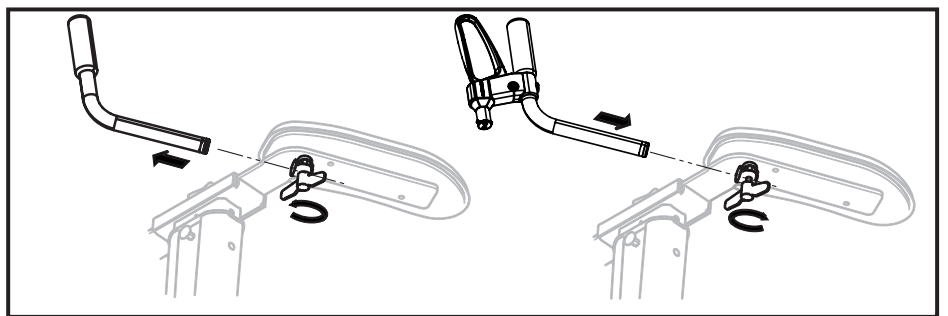
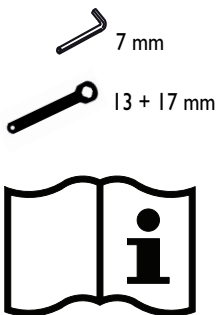
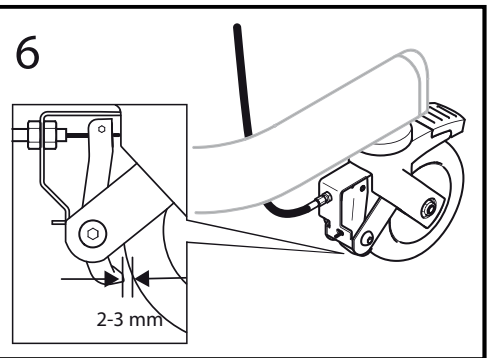
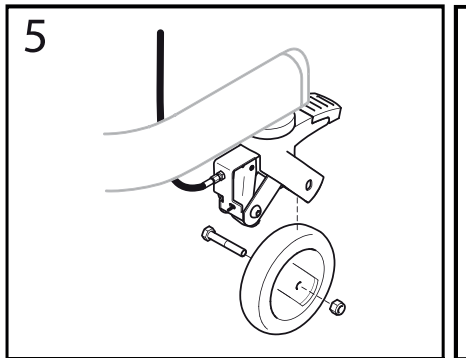
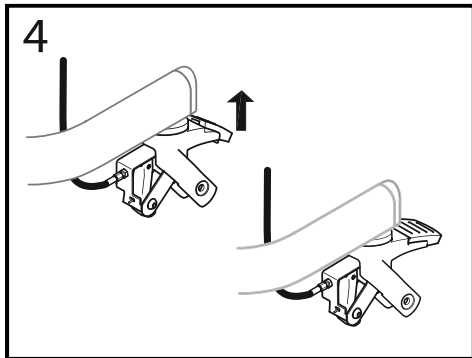
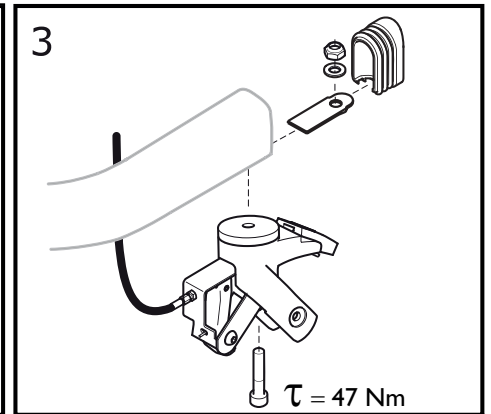
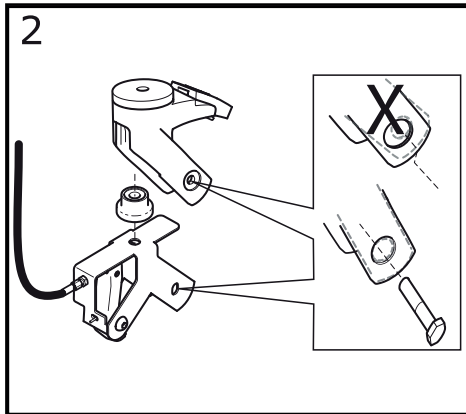
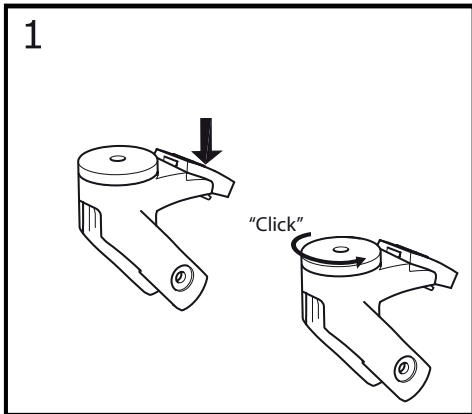
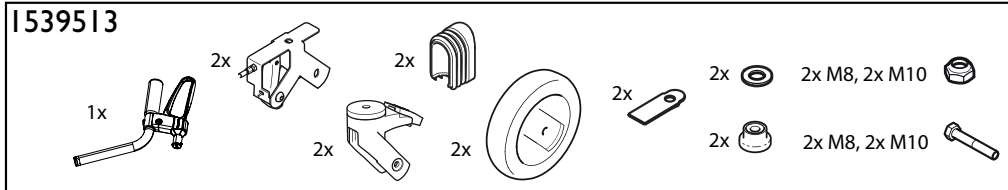
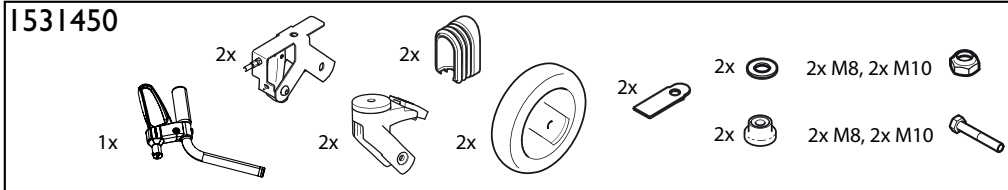
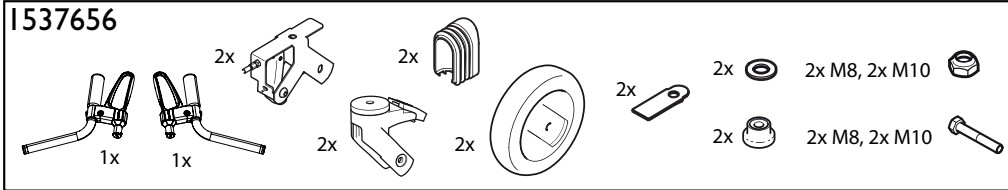


Mounting Instruction

Change Hand brake / One hand brake - Step Up
I537656, I531450, I539513



CE The procedures in this manual MUST be performed by a qualified technician.

I540624-A 2015-05-25 1/1



Manufacturer:
Invacare Rea AB
Växjövägen 303
SE-343 71 Diö
Sweden



Yes, you can.