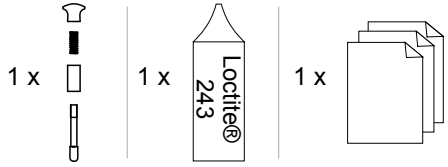
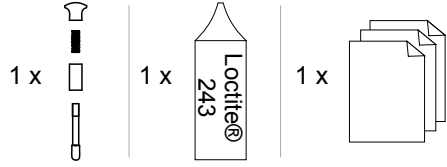


SP1558549

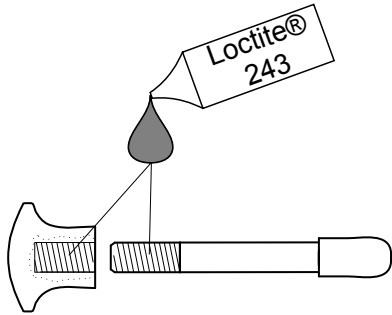


SP1552792

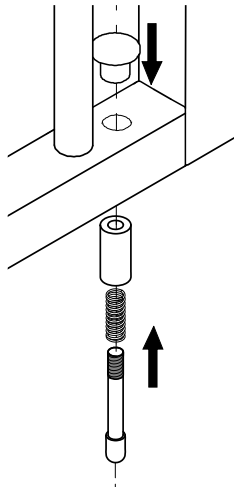


Invacare® ScanBeta NG

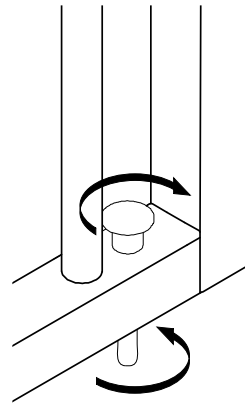
1.



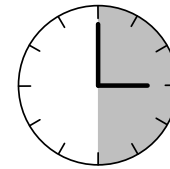
2.



3.



4.



> 6h



Invacare Rea AB
Växjövägen 303
SE-343 71 Diö
Sweden



Yes, you can.®