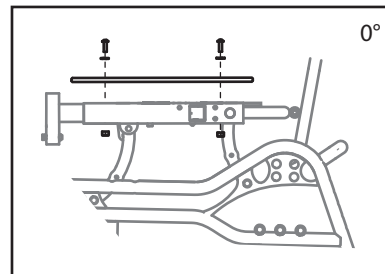
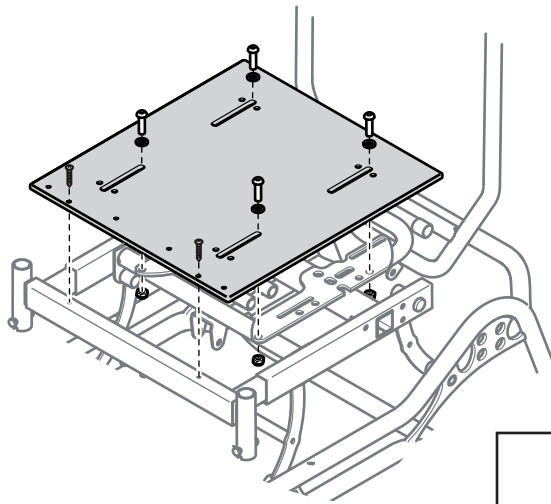


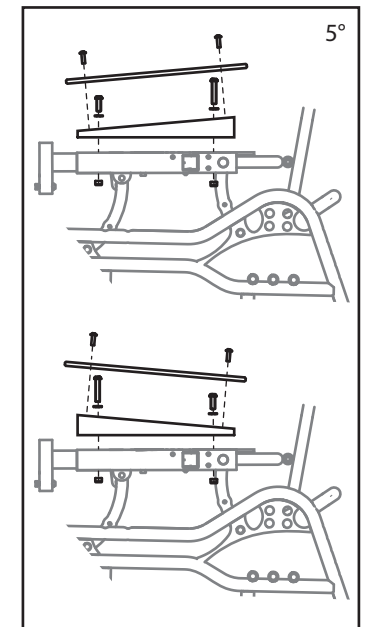
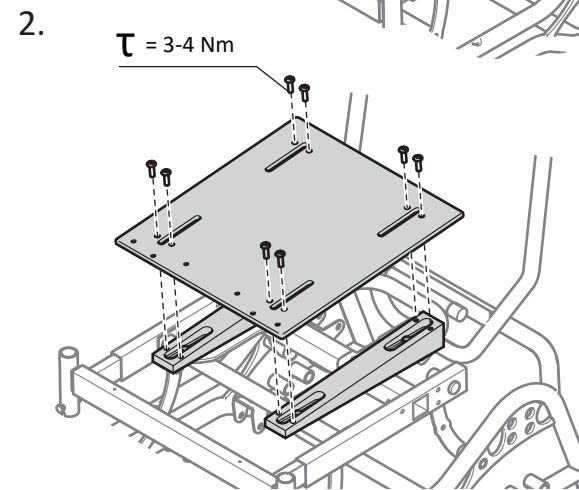
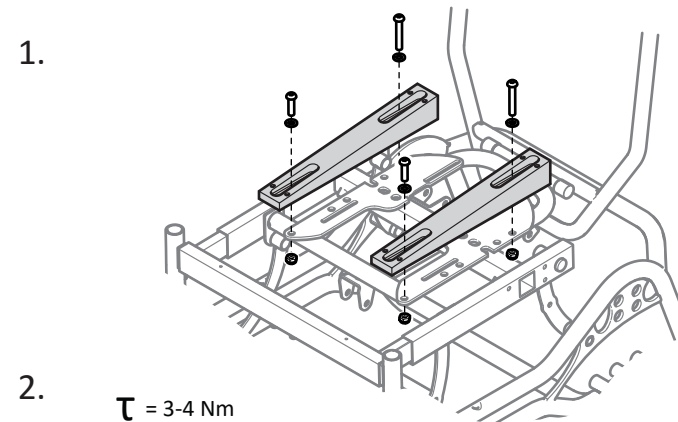
1542434	1 x	2 x	2 x	2 x	8 x	4 x	4 x	1 x				
1542435												
1542436												
1542437												
			M8x45	M8x25	PT K60x20					PH 2	T 25	5 mm 13 mm

1539677	1 x	4 x	4x	4x	2x	1 x	
1539679							
1539681							
1539683							
		M8x30			ST4.8x19		

1. 1539677, 1539679, 1539681, 1539683



1. 1542434, 1542435, 1542436, 1542437



Invacare Rea AB
Växjövägen 303
SE-343 71 Diö
Sweden

