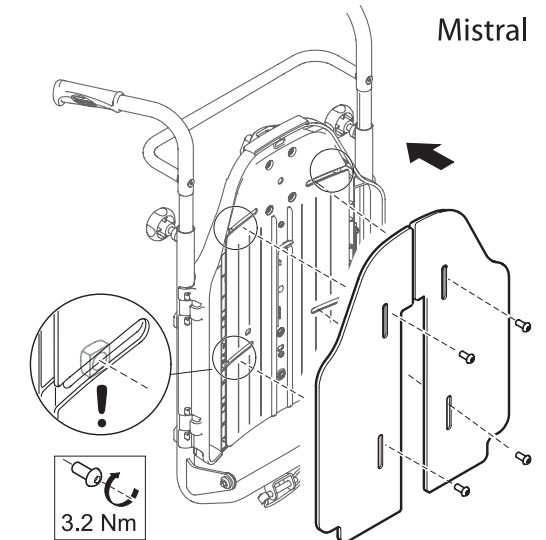
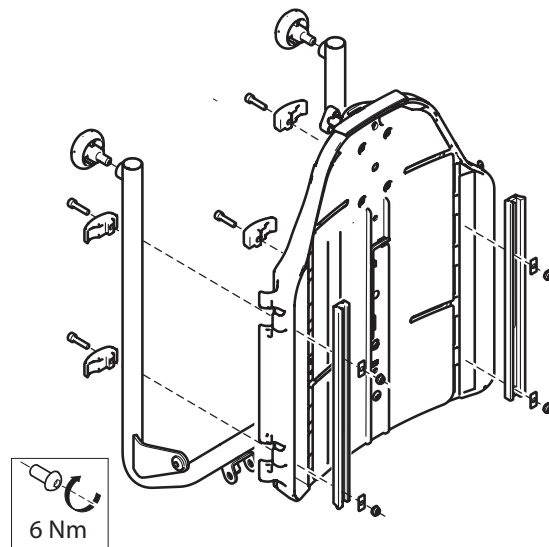
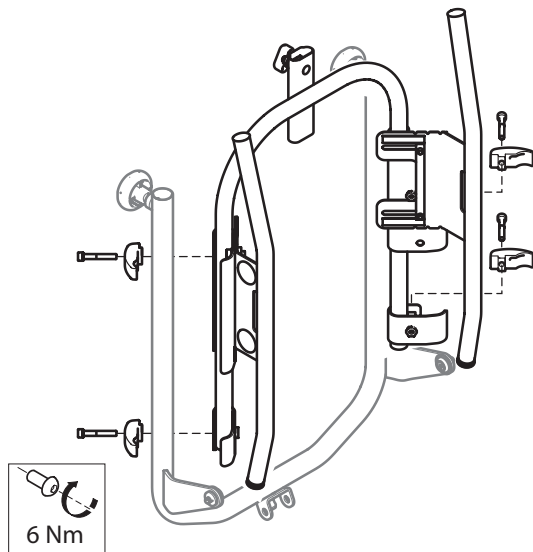
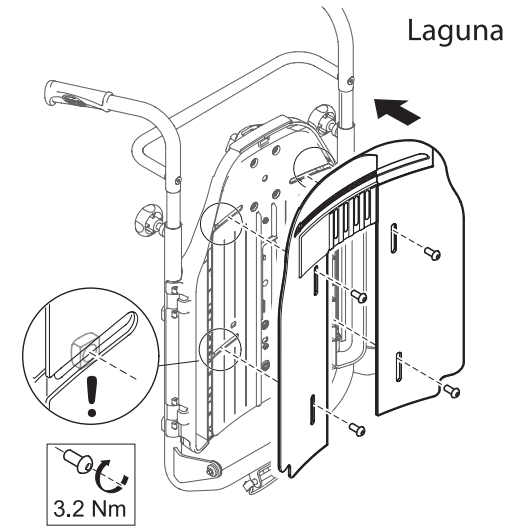
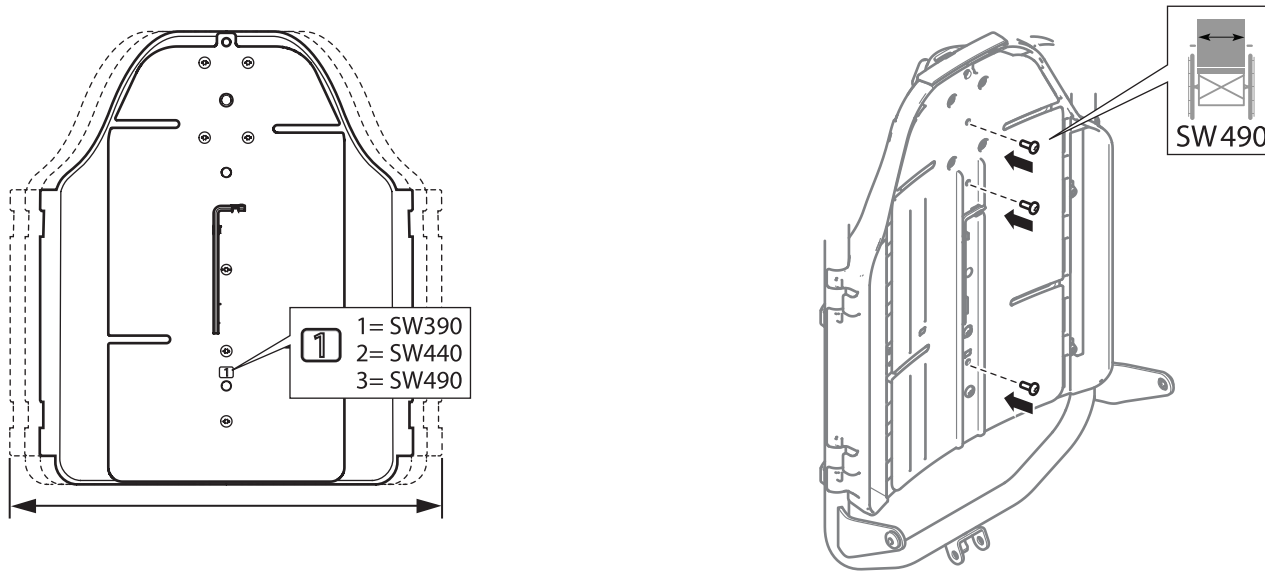


Mounting Instruction

Rea® Azalea®, Rea® Dahlia®
I561457 Flex3 Backrest



The procedures in this manual **MUST** be performed by a qualified technician.



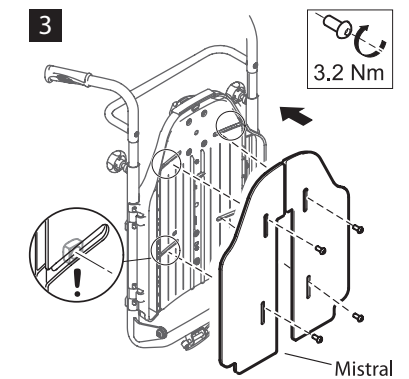
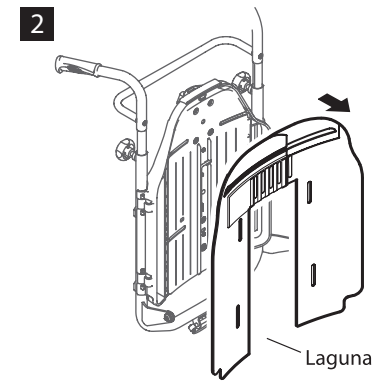
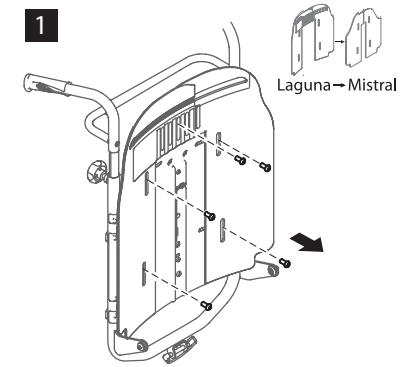
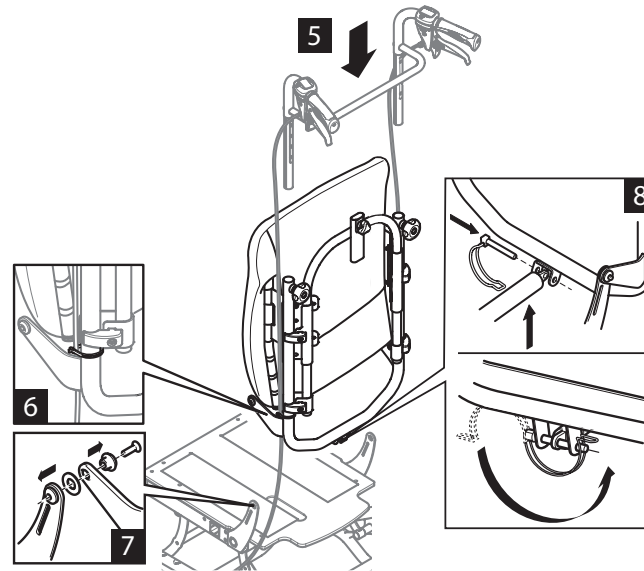
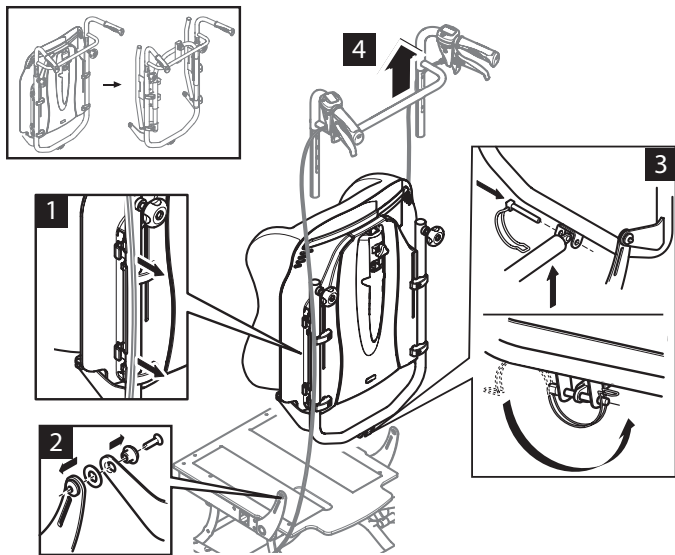
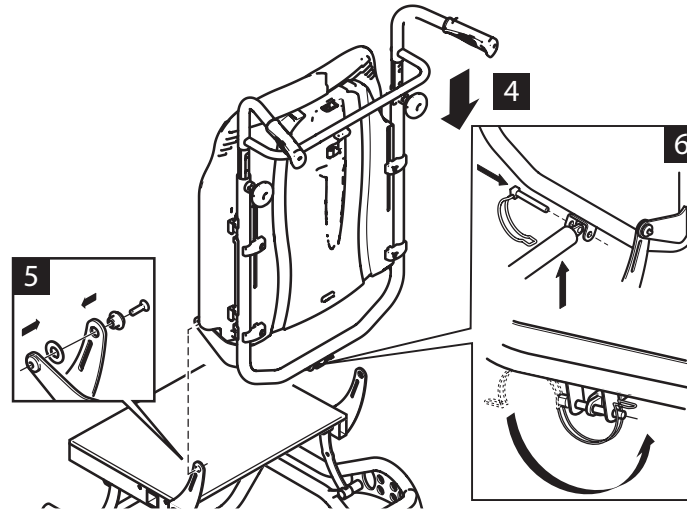
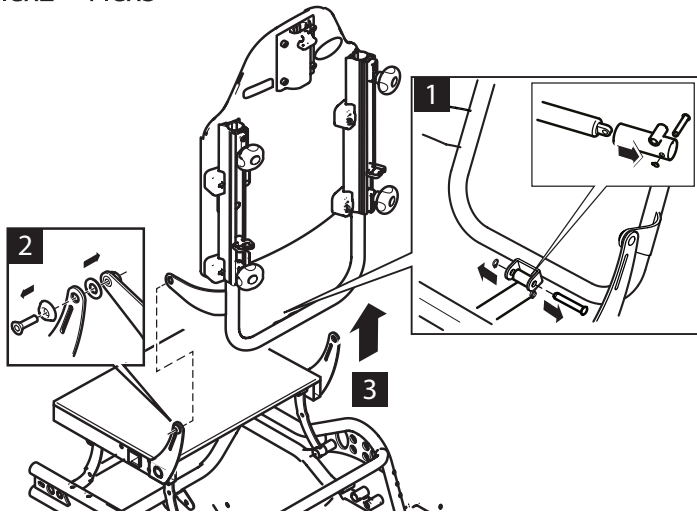
Invacare Rea AB
Växjövägen 303
S-343 75 Diö



Mounting Instruction

Rea® Azalea®, Rea® Dahlia®
1561457 Flex3 Backrest

Flex2 → Flex3



The procedures in this manual **MUST** be performed by a qualified technician.

1561457-A 2015-01-01 2/2



Invacare Rea AB
Växjövägen 303
S-343 75 Diö



Yes, you can.™