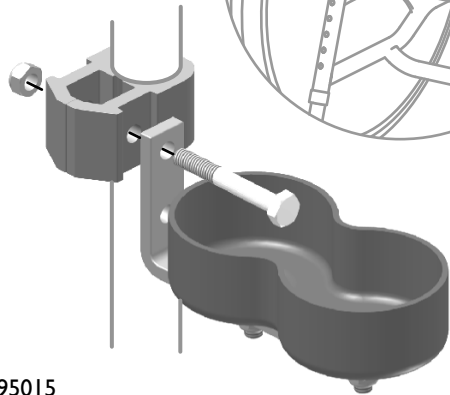
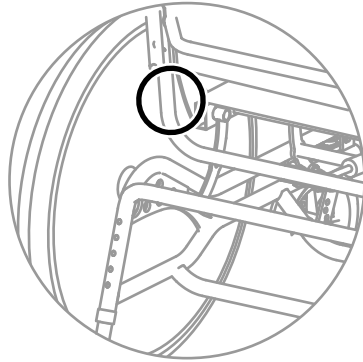


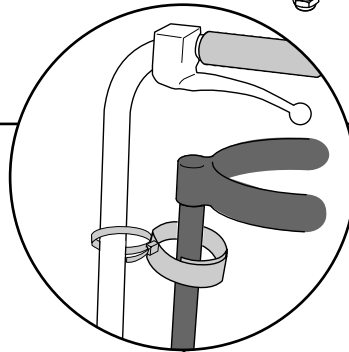
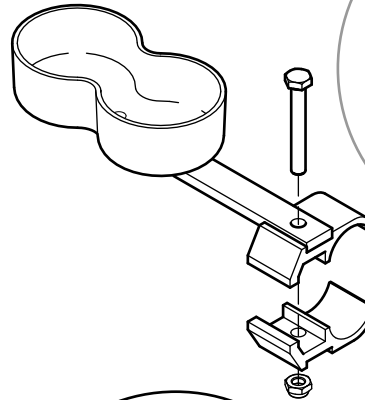
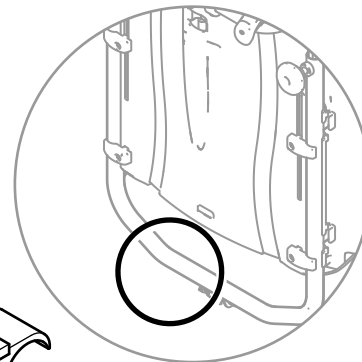
# Mounting instruction Cane holder

Rea® Azalea (Flex2)  
Rea® Bellis  
Rea® Comfort  
Invacare® XLT



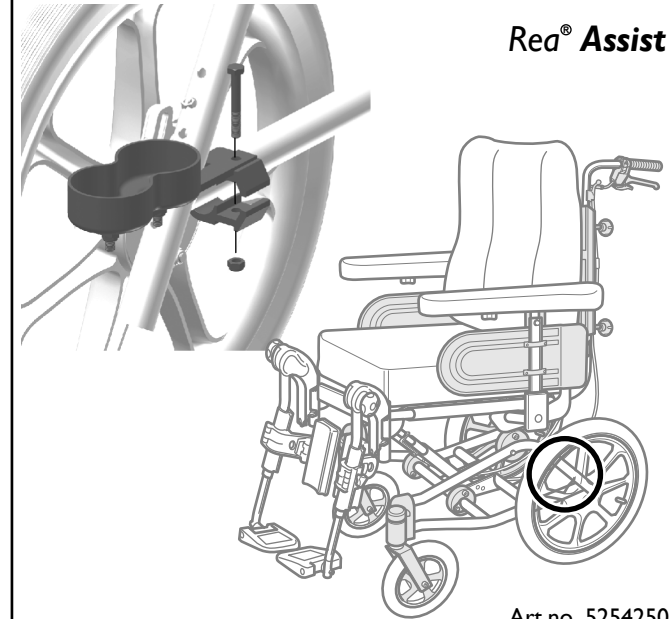
Art.no. 5295015

Rea® Azalea (Flex3)  
Rea® Dahlia



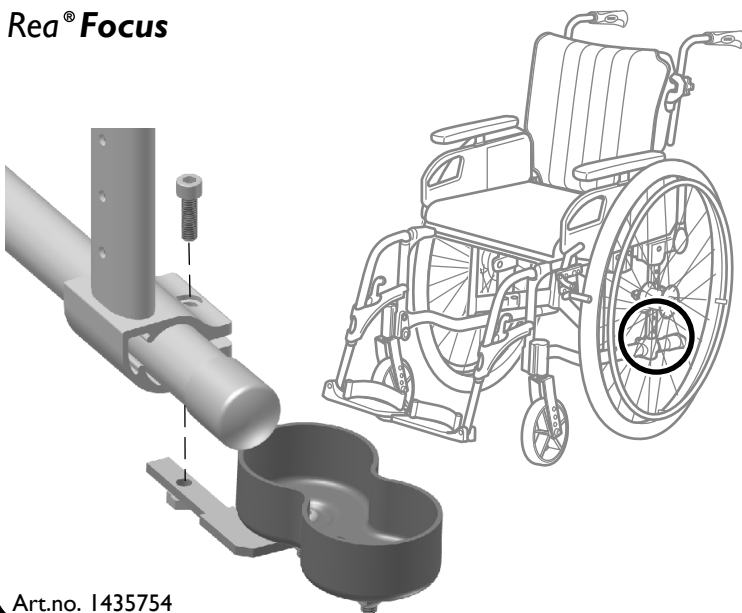
Art.no. SP1560811

Rea® Assist

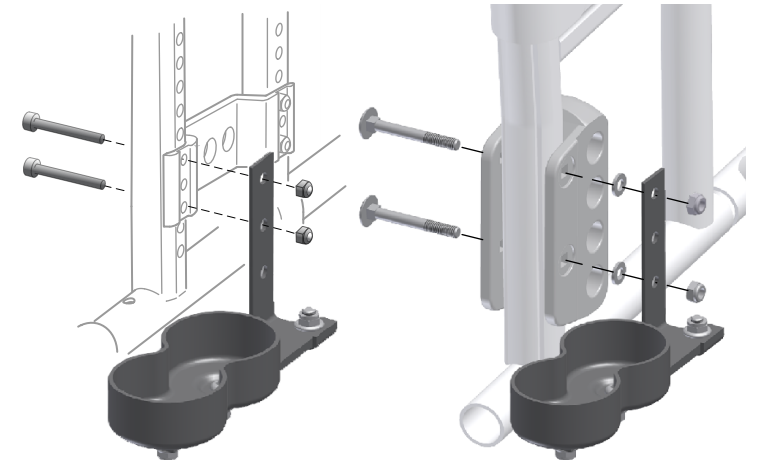
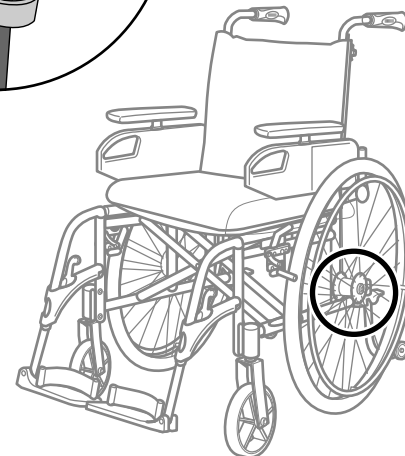


Art.no. 5254250

Rea® Focus



Art.no. 1435754



Rea® Spirea³

Rea® Spirea²

Art.no. 5104964