



# Rea® Dahlia® electrical

## en Manual wheelchair Service Manual

## 1 General

### 1.1 Introduction

This manual belongs to an Invacare accessory and it contains important information about handling and assembly. To ensure safety when using the product, read the user manual of the related product carefully and follow the safety instructions.

Find the user manual on Invacare's website or contact your Invacare representative (see addresses at the end of this manual).

In this manual, hazards are indicated by symbols. The symbols are accompanied by a signal word that indicates the severity of the risk.

## 2 Safety

### 2.1 General



#### IMPORTANT!

- For usage and additional electrical information, see the user manual.
- If the wheelchair is delivered before the 15:th of December 2015, make sure that the user is provided with the latest version of the user manual. The latest version of the user manual can also be downloaded from the local websites [www.invacare.xx](http://www.invacare.xx) (xx = language code).

Language	Art.no UM	Language	Art.no UM
Danish	1575584	German	1575628
Spanish	1575629	Italian	1575630
English	1572307	Japanese	1587499

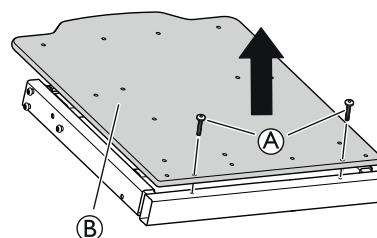
Dutch	1576732	Portuguese	1575631
Finnish	1580783	Swedish	1575581
French	1575583		

## 3 Setup

### 3.1 Mounting the battery



When changing the battery, the hand control cable needs to be connected for at least 10 seconds to be able to indicate the levels of the new battery.



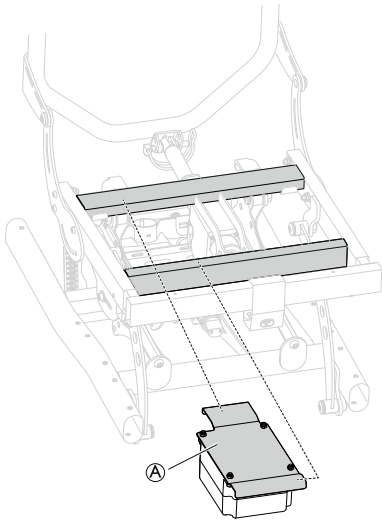
1. Loosen and remove the screws ① and the seat plate ②.



DEALER: Keep this manual.  
The procedures in this manual MUST be performed by a qualified technician.

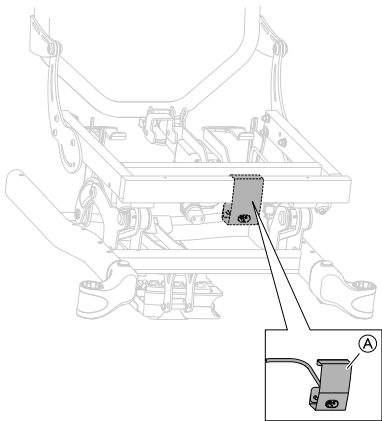


Yes, you can.®




1. Mount the attachment with the battery (A) on the frame.

### Mounting the holder for the mains cable extension



1. Place the holder (A) on the marked area of the frame.
2. Attach the mains cable extension to the control box.

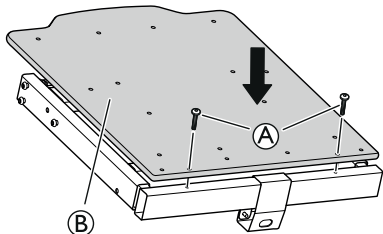
 See section "Electrical schedule" for more information about how to connect the cables.



#### WARNING!

##### Damage to the battery cable

- Make sure to fasten the cables in a way that keeps the cables from being squeezed or stretched.
- Check that the cables run freely when using the tilt and/or recline function,



3. Re-mount the seat plate (B).
4. Tighten the screws (A).

### 3.1.1 Charging the battery



#### Damage to the battery

- The battery must be loaded 24 hours before using the system the first time.
- Unplug the mains cable after loading before using the wheelchair.



The battery charger has different charging cables in order to adapt to different local electrical standards.



When the battery level is low (20 %), the system beeps when it is in use.

### 3.2 Mounting the actuators



#### WARNING!

##### Risk of injury

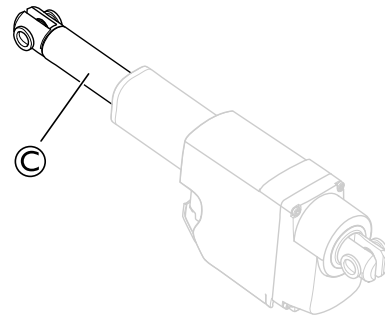
- The wheelchair may collapse
- Check that the locking washers are securely locked.
  - If the safety pin is used, make sure that the lock shackle / loop is securely locked.



#### WARNING!

##### Safety risk

- The wheelchair may collapse
- Remember to always reinsert and fasten the safety pin when it has been removed.
  - Check that the lock shackle / loop is securely locked.

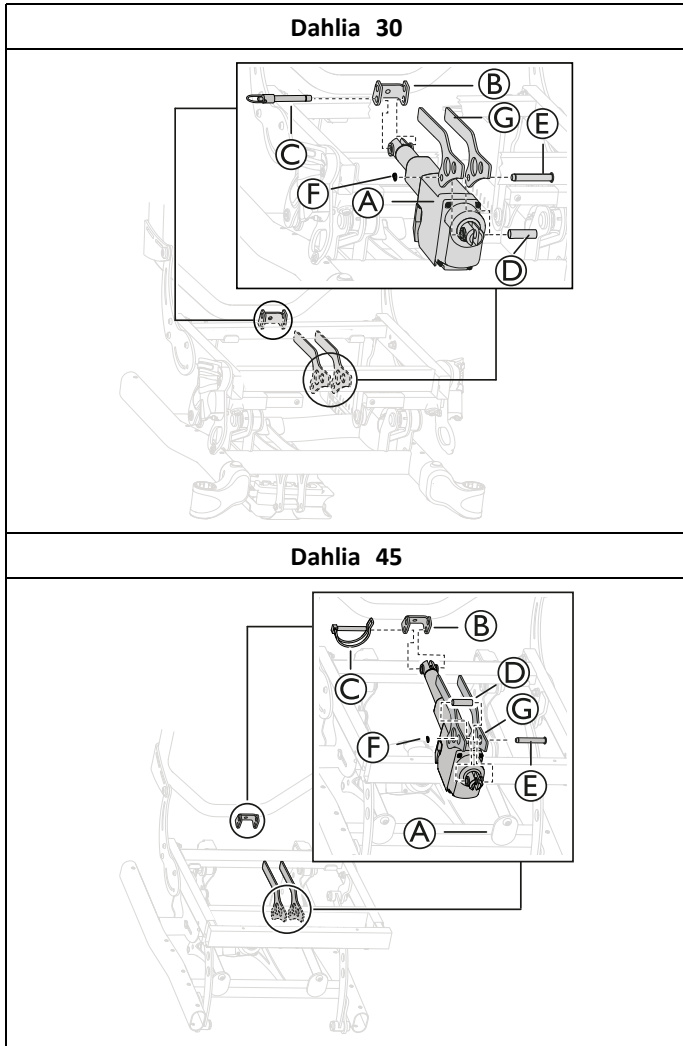



#### WARNING!


##### Electrical version

- The backrest may come loose if the piston rod is accidentally detached from its housing.
- Before attaching the piston to the backrest, turn the piston rod (C) maximum clockwise.
  - When aligning the holes, only turn the piston rod (C) maximum a half turn counterclockwise.

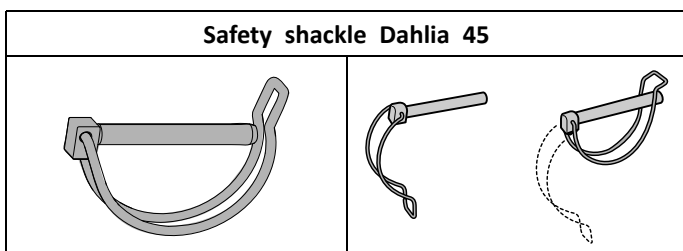
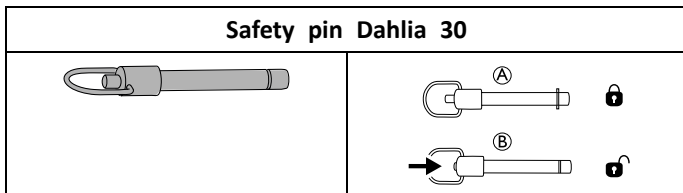
### 3.2.1 Mounting the backrest actuator



1. Place the upper part of the backrest actuator (A) in the attachment (B) on the frame.
2. Attach the backrest actuator with the safety pin or safety shackle (C) in the lower hole of the attachment.  
 Dahlia 30 has a safety pin and Dahlia 45 has a safety shackle.
3. Place the lower part of the backrest actuator (A) in the lower attachment (G) on the frame.
4. Attach the lower part with the pin (E), sleeve (D) and the locking washer (F).

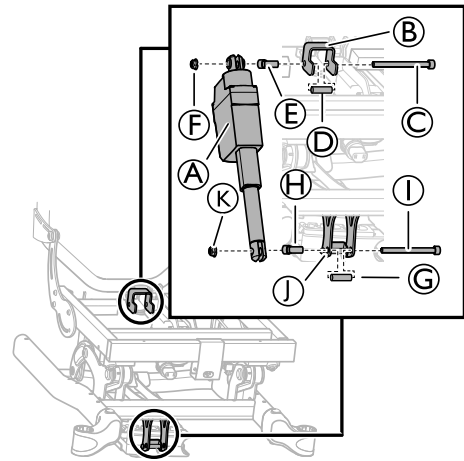
 Nippers

#### Locking the safety pin




### 3.2.2 Mounting the seat tilt actuator

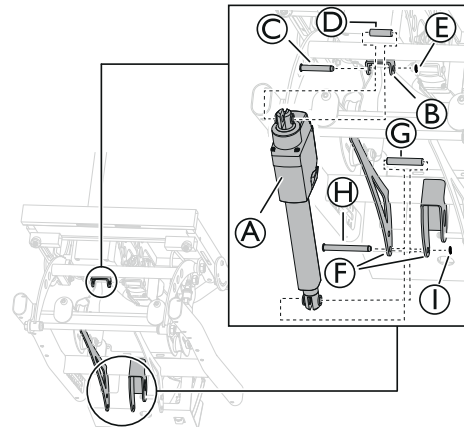
#### Seat tilt actuator — Dahlia 30



1. Place the upper part of the seat tilt actuator (A) in the attachment (B) on the frame.
2. Attach the seat tilt actuator with the screw (C), the sleeves (D) and (E) and the nut (F).
3. Place the lower part of the seat tilt actuator in the front attachment (J) on the frame.
4. Attach the seat tilt actuator with the screw (I), the sleeves (G) and (H) and the nut (K).
5. Tighten the screws with 24 Nm.

 6 mm Allen key / 13 mm fixed spanner

#### Seat tilt actuator — Dahlia 45

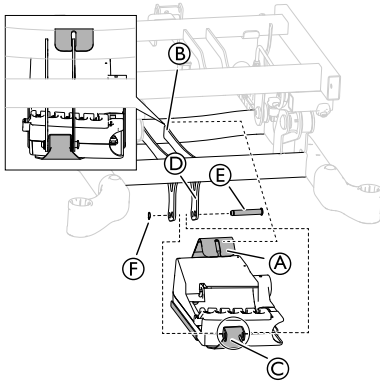


1. Place the upper part of the seat tilt actuator (A) in the attachment (B) on the frame.
2. Attach the seat tilt actuator with the pin (C), the sleeve (D) and the locking washer (E).
3. Place the lower part of the seat tilt actuator in the lower attachment (F) on the frame.
4. Attach the seat tilt actuator with the pin (H), the sleeve (G) and the locking washer (I).

 Nippers

### 3.3 Mounting the control box

#### Dahlia 30



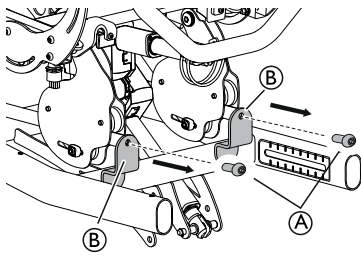
1. Mount the upper part of the control box attachment **A** in the attachment **B** on the chassis.
2. Mount the lower part of the control box attachment **C** in the attachment **D** on the chassis.
3. Attach the control box attachment **C** with the pin **E** and the locking washer **F**.



Nippers

#### Dahlia 45

1.

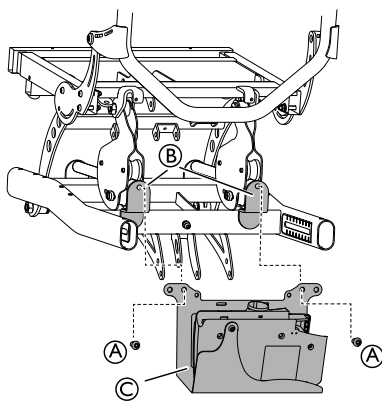


Loosen and remove the screws **A** from the attachment plates **B**.



5 mm Allen key

2.



Mount the control box attachment **C** on the attachment plates **B**.

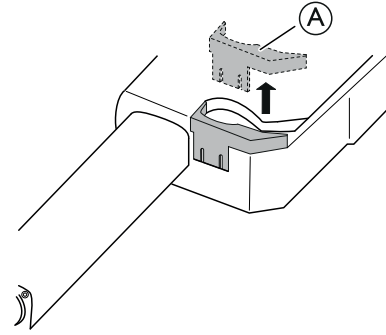
3. Re-mount the screws **A** in order to fixate the control box attachment.
4. Tighten the screws with 24 Nm.




5 mm Allen key

### 3.4 Cable lock — actuator

#### Cable lock removal



1. Loosen the cable lock **A**.  
 Use a screwdriver to loosen the cable lock.
2. Remove the cable lock from the actuator.

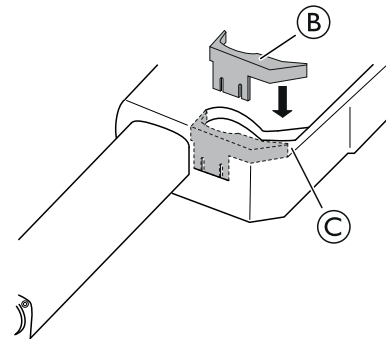



#### CAUTION!

#### Damage to the product

– When a cable lock is removed, it must be replaced by a new one.

#### Mount the cable lock



1. Place the cable in the holder **C** on the seat tilt actuator.  
 The cable must be fully pressed into the holder before adding the cable lock **B**.
2. Attach the cable lock **B** by pushing it into place on the seat tilt actuator.

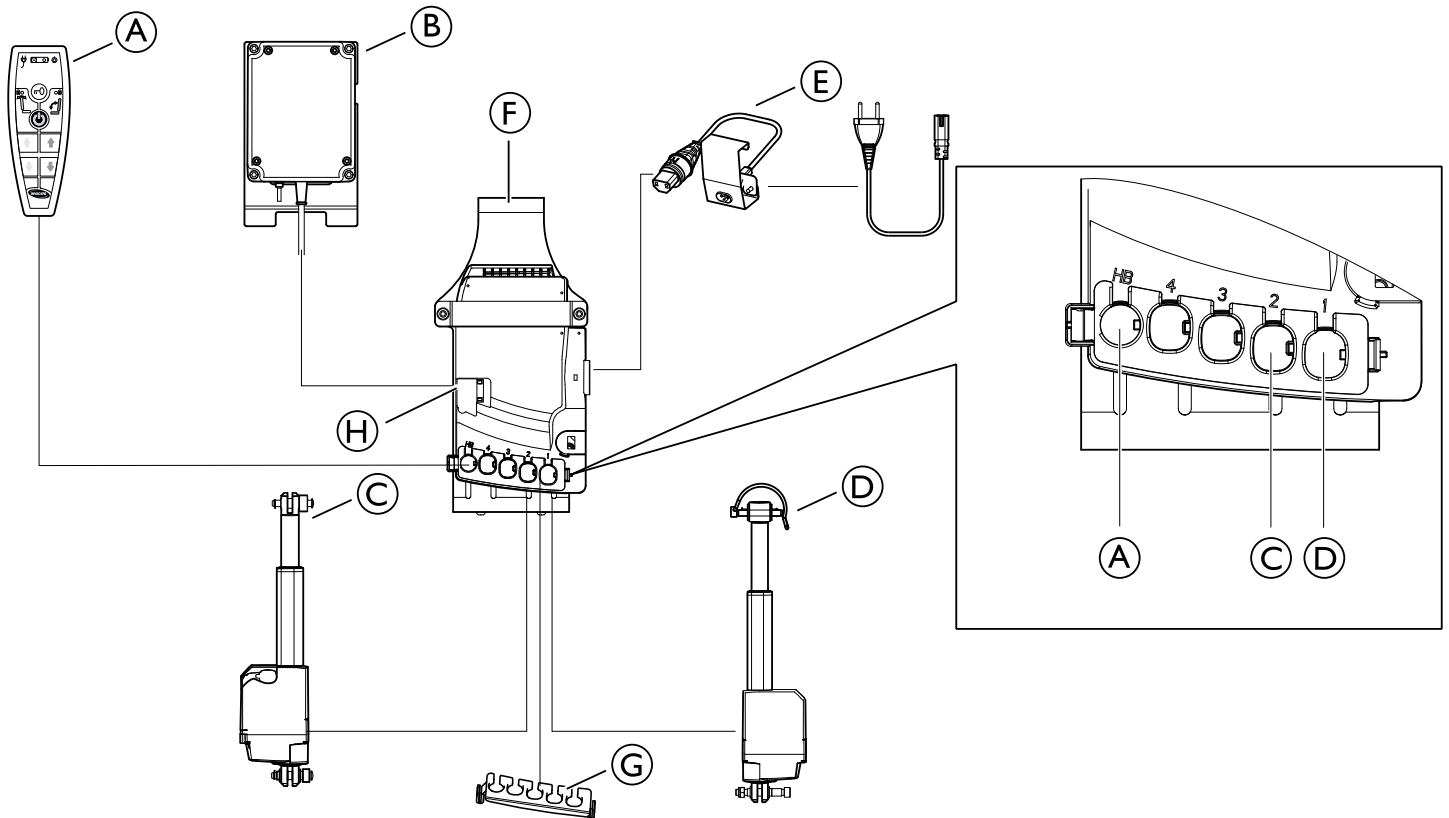


#### CAUTION!

#### Risk of damage to the product

– The cable lock must be mounted when washing the wheelchair.

### 3.5 Electrical schedule



(A)	Hand control
(B)	Battery
(C)	Seat tilt actuator
(D)	Backrest recline actuator
(E)	Mains cable
(F)	Control box
(G)	Cable lock actuators
(H)	Cable lock battery cable



#### CAUTION!

##### Risk of malfunction

The system may not work properly

- Connect all functions before connecting the mains cable.
- Connect the hand control first. The connection at the control box is marked with “HB”.
- Connect the different actuators according to the schedule above.
- Check that all plugs are well connected and firmly pushed into the connection plug.
- Check that the cable locks are engaged in order for the cables to be secured in the control box.
- Connect the battery.
- Connect the mains cable and turn on the power.
- Control boxes must only be connected to the mains voltage specified on the label. See chapter “Electrical system” for more information.
- Make sure that the cables are not trapped, tensed or exposed to sharp objects when using the system.





## Invacare Sales Companies

### Ireland:

Invacare Ireland Ltd,  
Unit 5 Seatown Business  
Campus  
Seatown Road, Swords, County  
Dublin  
Tel : (353) 1 810 7084  
Fax: (353) 1 810 7085  
ireland@invacare.com  
www.invacare.ie

### United Kingdom:

Invacare Limited  
Pencoed Technology Park,  
Pencoed  
Bridgend CF35 5AQ  
Tel: (44) (0) 1656 776 222  
Fax: (44) (0) 1656 776 220  
uk@invacare.com  
www.invacare.co.uk



Manufacturer:

Invacare Rea AB  
Växjövägen 303  
SE-343 71 Diö  
Sweden

1587500-A 2017-01-01



**Making Life's Experiences Possible®**

**rea**



**Yes, you can.**