
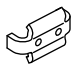
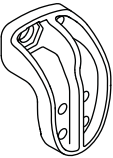





SP1587620


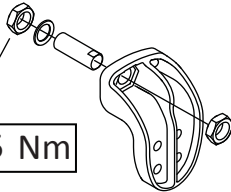
 L + R

2 x  2 x  4 x M8x25 

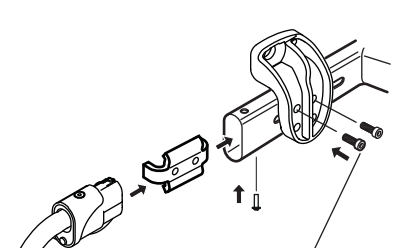
5mm T25

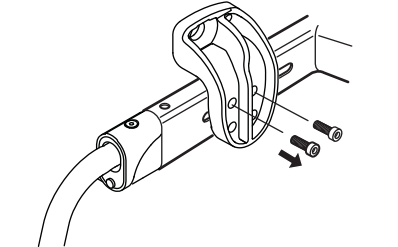
24mm


 

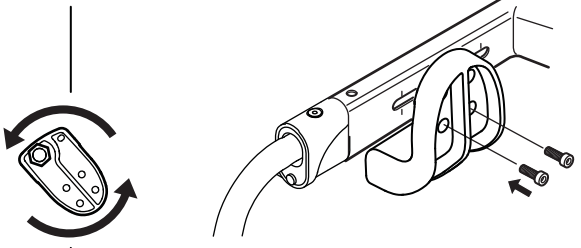
$\tau = 40 \pm 5 \text{ Nm}$

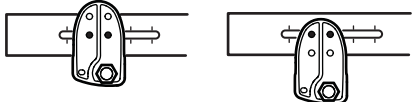


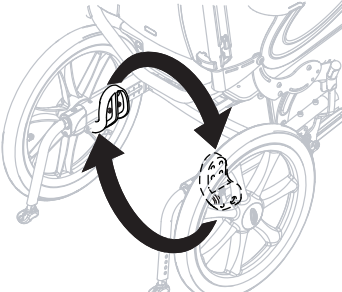
$\tau = 22 \text{ Nm}$




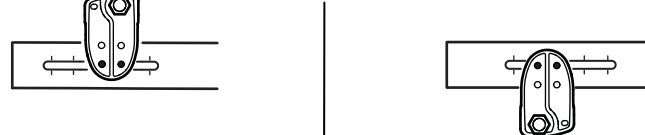


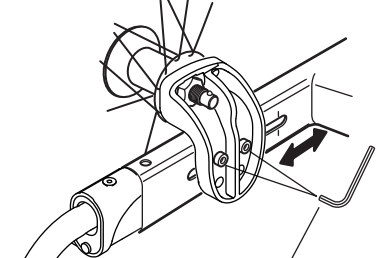






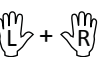



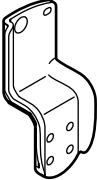






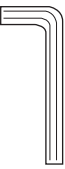

$\tau = 22 \text{ Nm}$

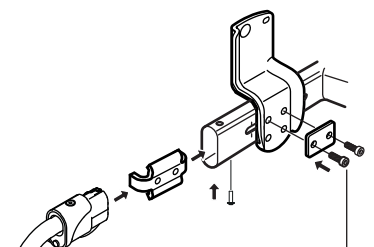
SP1572728

 L + R

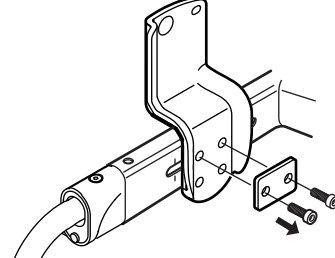
2 x  2 x  2 x  4 x M8x25 

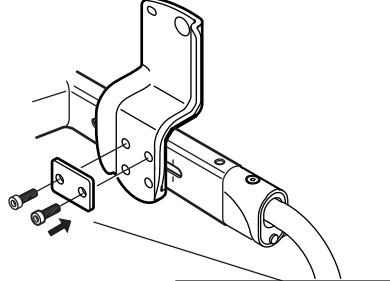
5 mm T25



$\tau = 18-24 \text{ Nm}$





$\tau = 18-24 \text{ Nm}$







Invacare Rea AB
Växjövägen 303
SE-343 71 Diö
Sweden

