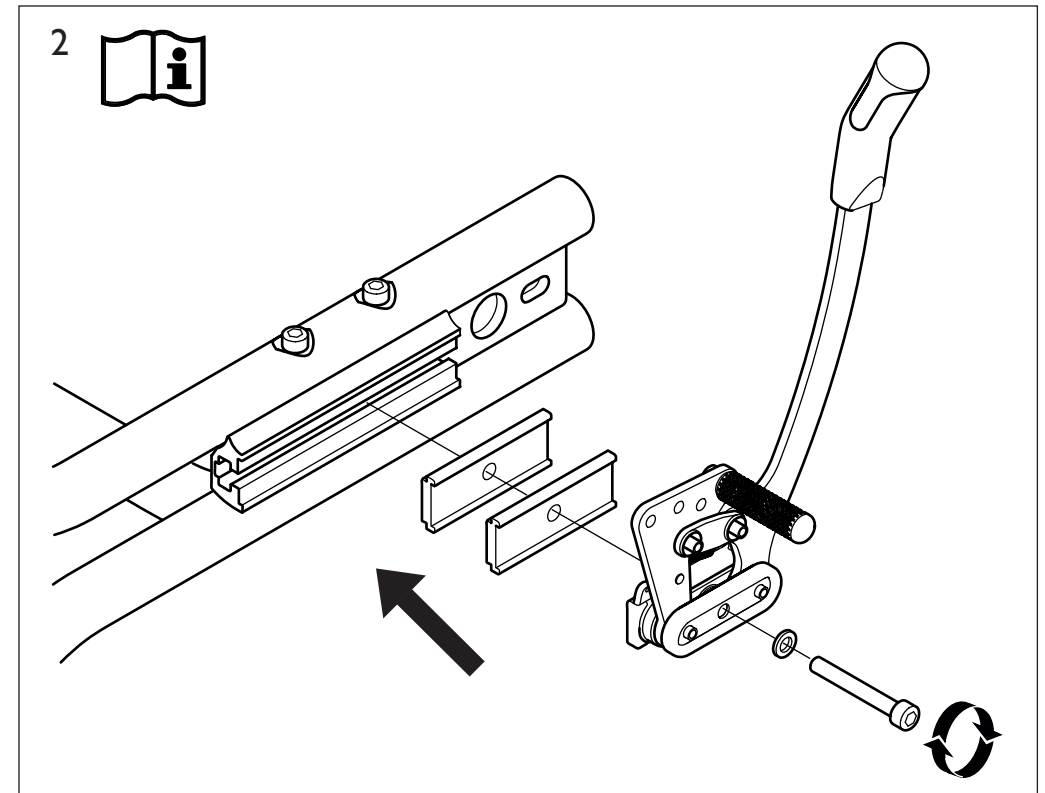
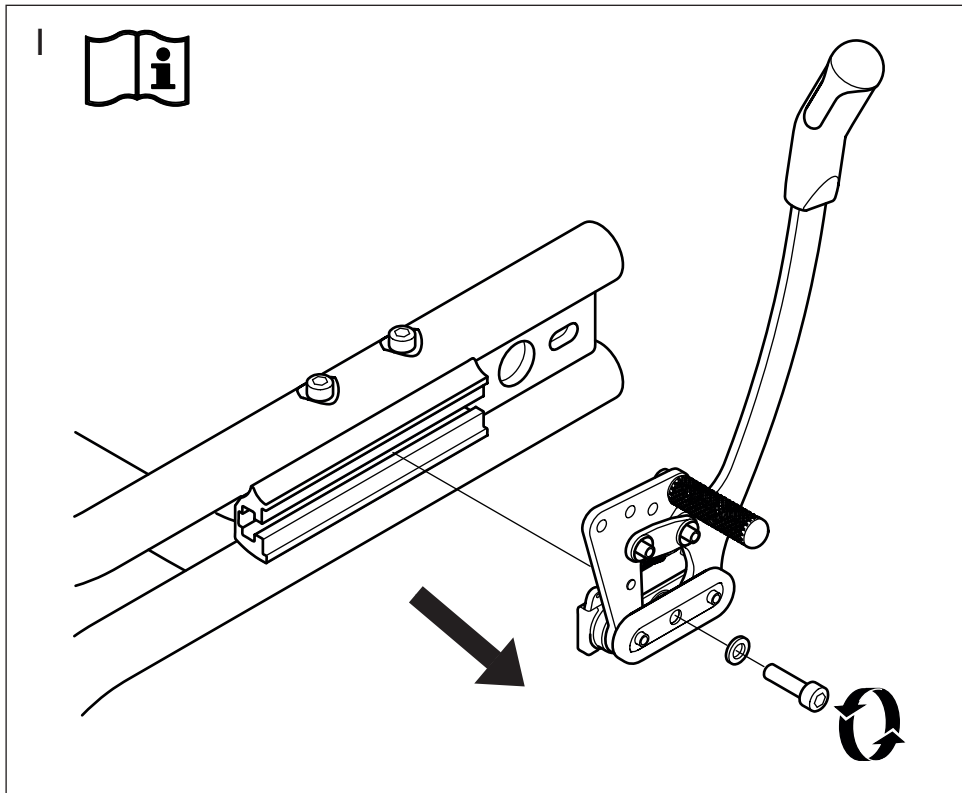
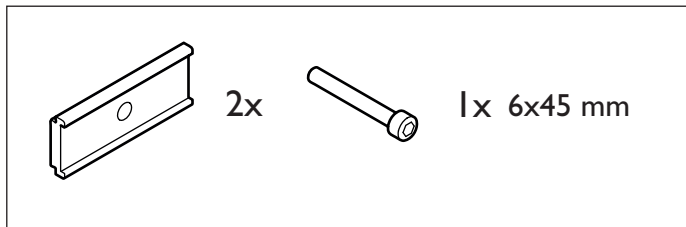


Mounting Instruction

1517109 Spacer kit, brakes
Azalea Tall



The procedures in this manual **MUST** be performed by a qualified technician.

1585751-A 2014-10-30 1/1



Manufacturer:
Invacare Rea AB
Växjövägen 303
SE-343 71 Diö
Sweden



Yes, you can.