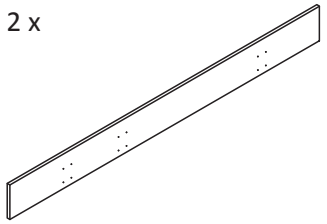
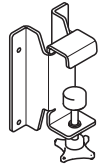
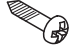

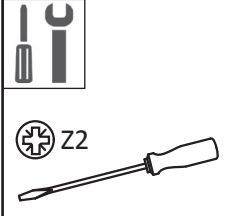
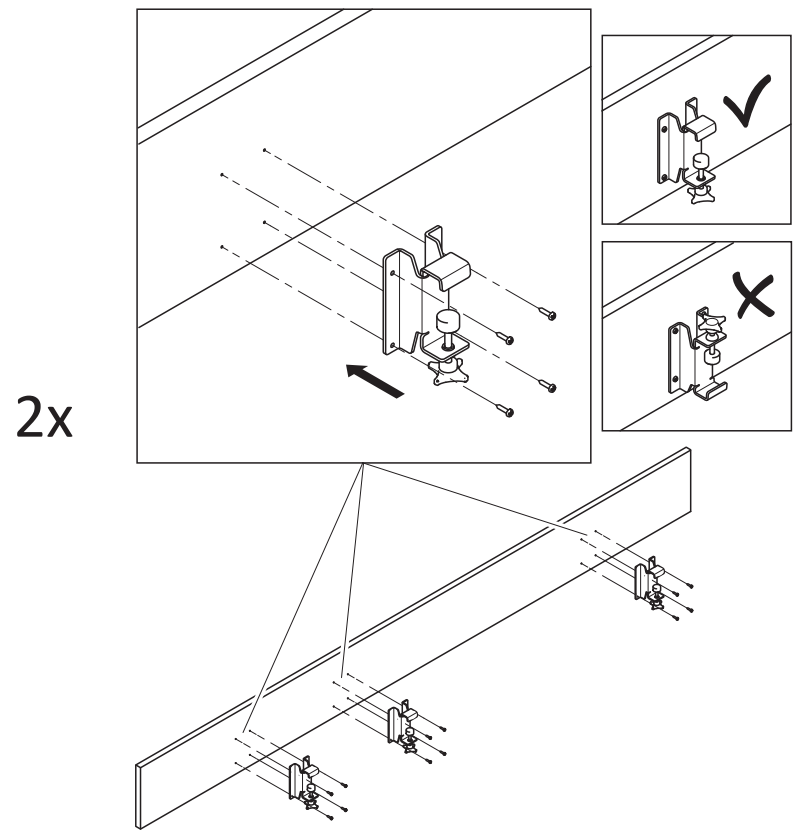


1657039-xxxx	1657052-xxxx	2 x		6 x		24 x		1 x		
--------------	--------------	-----	--	-----	--	------	---	-----	---	--

Invacare® NordBed™ Essential
 Invacare® NordBed™ Ultra
 Invacare® NordBed™ Optimo
 Invacare® NordBed™ Optimo Wide

1.



2.

