

**matrix**<sup>®</sup>

# Headrest series

---

Taking head support to the next level

---



**Maximum head support**

Simple and intuitive adjustments



*Yes, you can.<sup>®</sup>*

## matrix<sup>®</sup> LOXX™



### Newest addition to the series

Matrix<sup>®</sup> Loxx™ is a simple and intuitive headrest that offers a sleek and effective head support. With 4 adjustment points, the configurable hardware is a solution suitable for a wide range of needs.

#### Easy set up

Create the right support first time with the adjustment lever, allowing easy and intuitive position changes. Attachment knob for removal or height adjustment.

#### Highly adjustable hardware

Moderate kyphosis and asymmetrical postures can easily be accommodated.

#### Secure hold

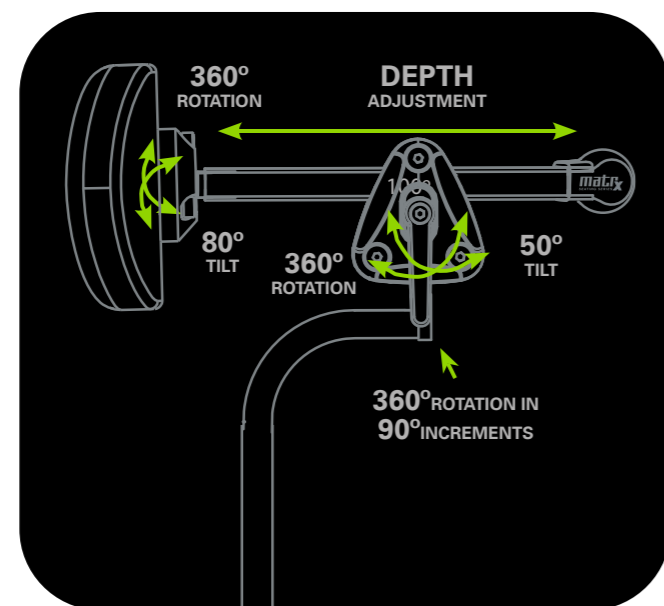
This unique patent pending design has been crash tested and ensures a secure and superior hold, without any movement.

### Additional features

- > Dual pivot balls and slide bar for optimal pad orientation
- > Curved vertical post for lateral or forward mounting positions
- > High visibility protective urethane tip for improved safety



### Hardware adjustments



## matrix<sup>®</sup> ELAN<sup>®</sup>



### Award-winning premium design

Matrix<sup>®</sup> Elan is a compact and lightweight headrest with extremely adjustable hardware that offers maximum support and comfort. With 6 adjustment points, its our most adjustable hardware yet, offering a solution for the widest range of applications.

#### Most adjustable design

Innovative hardware offers numerous positioning capability for more complex needs including more extreme kyphosis as well as swing-away function for easier transfers.

#### Tool-less adjustments

Set up quickly and effectively with a single Allen key tool, while the adjustment levers make it easy to change the position. Attachment knob for removal or height adjustment.

#### Locking multi-disc

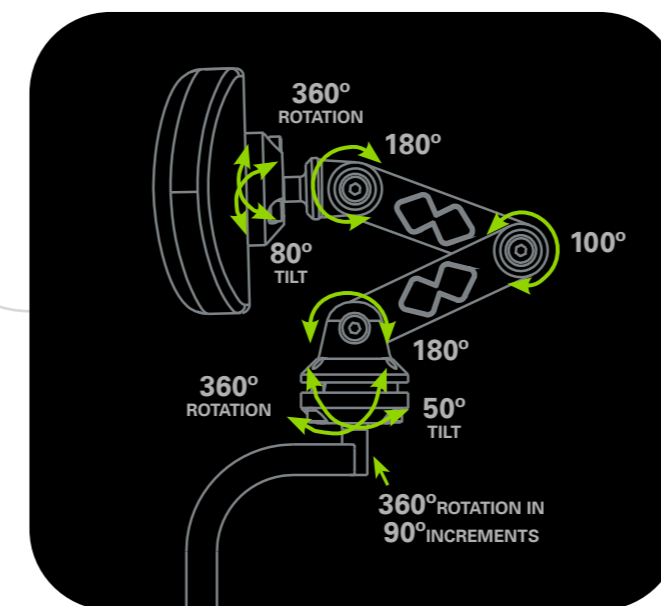
This crash tested design, has an innovative locking feature that provides significant and reliable holding strength.

### Additional features

- > 2 post options: standard (380mm) and mini (280mm) to complement paediatric to adult applications
- > Curved vertical post for lateral or forward mounting positions
- > Extended hardware also available for reaching more severe kyphosis postures - includes an extra link



### Hardware adjustments



## Headrest pads



#### Comfortable

Dual density foam provides immersion, prevents bottoming out



#### Durable

High end molded foam surrounds backing plates for protection. Made with Ultra-fresh™ antimicrobial additive



#### Lightweight

Less than half of the weight of comparable steel plated pads



#### Versatile

Aluminum plates can be formed to desired shape



#### Covers

Zippered, moisture-resistant, breathable Startex fabric  
Standard or Infection control cover (reverse Startex) available



#### Headband

Comfortable neoprene forehead support. Simple keyhole attachment for ease of application. Inside of band includes non skid surface.



#### 2 Occipital pad options

Provides contoured support to the occipital and sub-occipital areas of the head. Available in two sizes.



#### 3 Ellipse pad options

Can be formed to fit the shape of the users head for posterior and lateral support. Available in 3 size.



#### 4-point support

Provides 4 points of support to the occipital and temporal areas of the head. Available in one size.

# Advanced technology

## Industry leading designs

Our Matrix seating and positioning range offers clinically effective, cutting-edge solutions that includes some of the most reliable, modular and functional products on the market. Introducing our new Matrix® Loxx™ headrest along with our award-winning Matrix® Elan headrest offering highly configurable hardware options in combination with our popular headrest pads.



## Mounting and compatibility

Included with both Matrix Elan and Loxx™ hardware is a mounting plate kit with an ergonomic low profile adjustment knob which allows our Matrix® headrest series to be attached to most solid back supports including our renowned Matrix® E2 range.

The mounting plate kit also consists of a shim for use when additional clearance is required. Alternatively, either model can be fitted to our Flex 3 headrest receivers with optional interface inserts.



# Technical data

Invacare can now offer a complete rehabilitation solution: cushion, back support, belt/harness and headrest. You can explore the full range by visiting [www.invacare.co.uk](http://www.invacare.co.uk).



**Matrix Loxx** ▼



**Matrix Elan Standard** ▼



**Matrix Elan Mini** ▼

**Hardware Options**

380 x 115 mm\*\*

380 x 260 mm\*\*

280 x 260 mm\*\*



**Ellipse Pad** ▼



**Occipital Pad** ▼



**4 Point Pad** ▼

**Pad Options**

**150 mm Ellipse Pad**  
150 x 90 mm

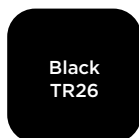
**230 mm Occipital Pad**  
230 x 180 mm

**4 Point Pad**  
280 x 260 mm

**250 mm Ellipse Pad**  
250 x 130 mm

**310 mm Occipital Pad**  
310 x 200 mm

**360 mm Ellipse Pad**  
360 x 130 mm



**Upholstery**

\* Invacare® Matrix® Elan® and Invacare® Matrix® Loxx™ Headrest Hardware passed Frontal Impact Sled Testing. Testing in accordance with ISO7176-5 (2019) Wheelchair Seating Systems for use in Motor Vehicles and ISO 16840-4 (2009) Wheelchair Seating-Part 4: Seating Systems for Use in Motion Vehicles.

\*\* + 70 mm lateral range



**Tel: +44 1656 776222**  
uk@invacare.com  
www.invacare.co.uk

Invacare UK & Ireland  
Unit 4 Pencoed Technology  
Park, Bridgend CF35 5AQ



**Yes, you can.®**